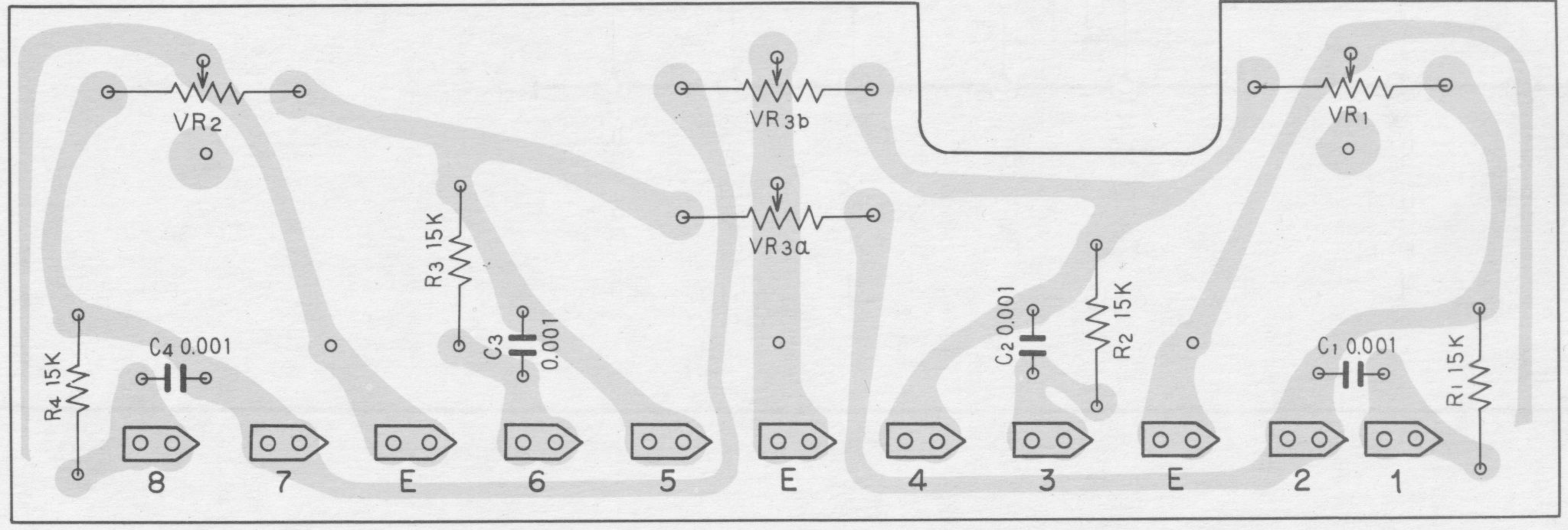
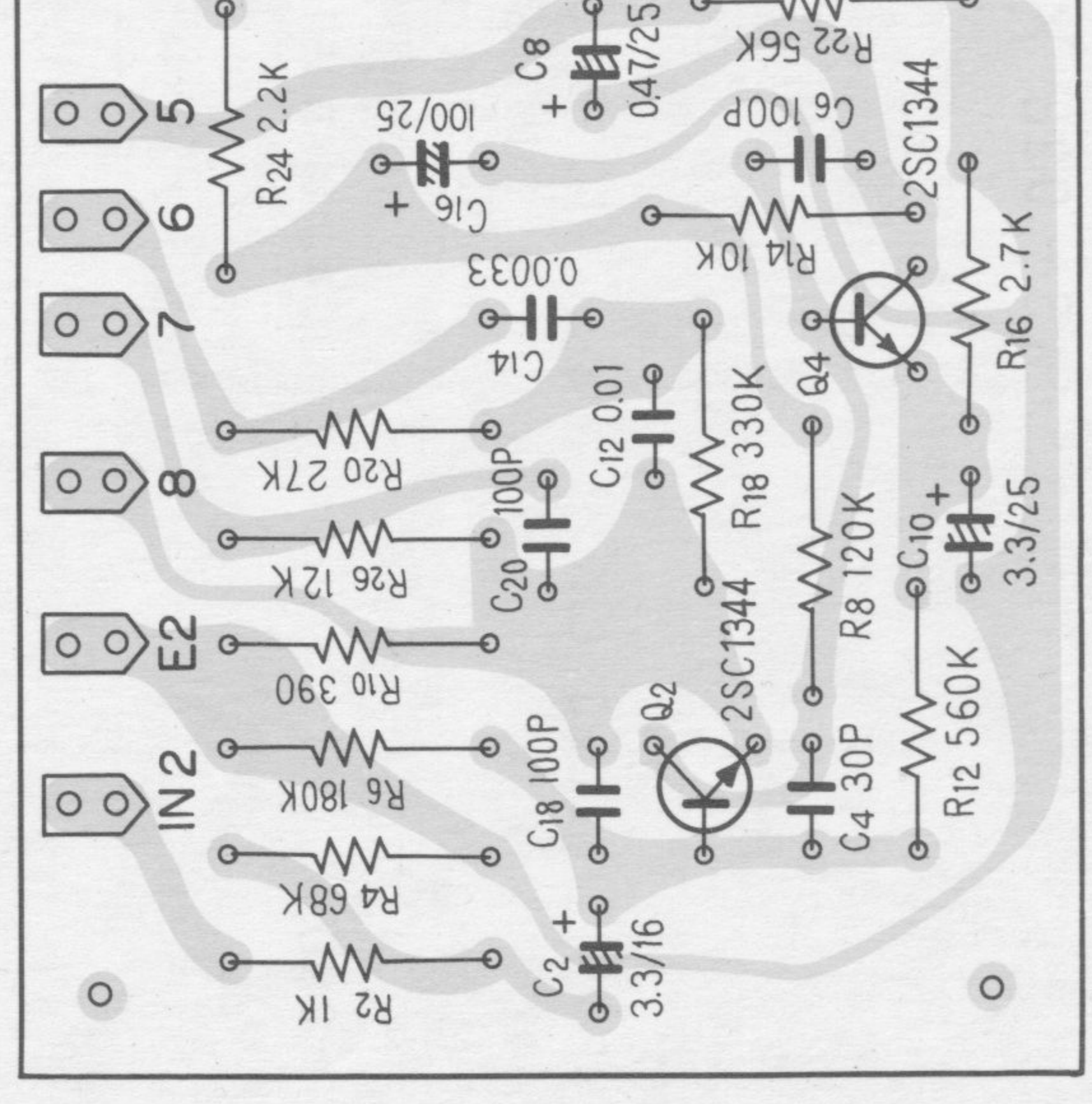


QUADRAPHONIC RECEIVER
QX-4000
 FSAW FW KUW

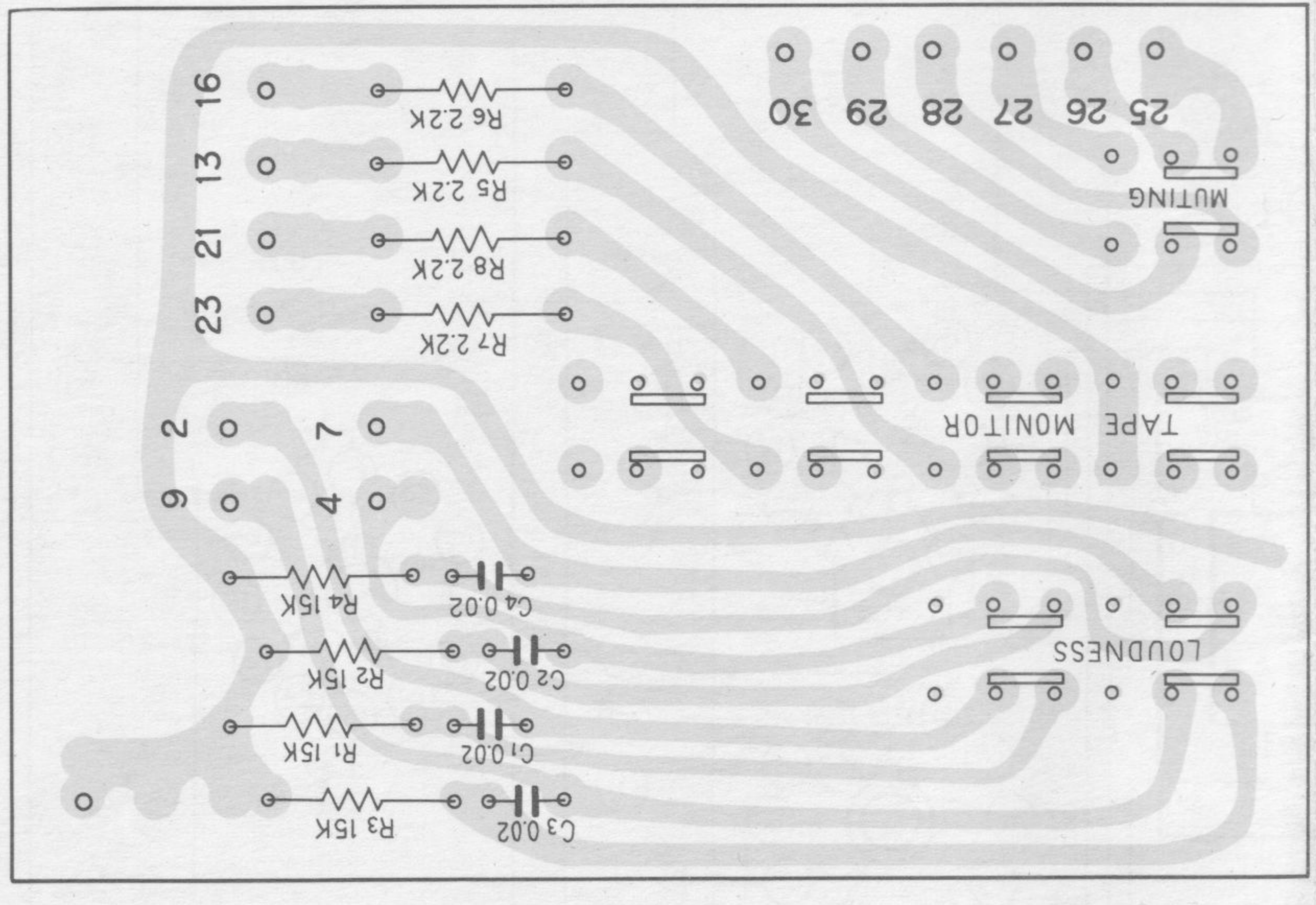
Volume ass'y AWX-028



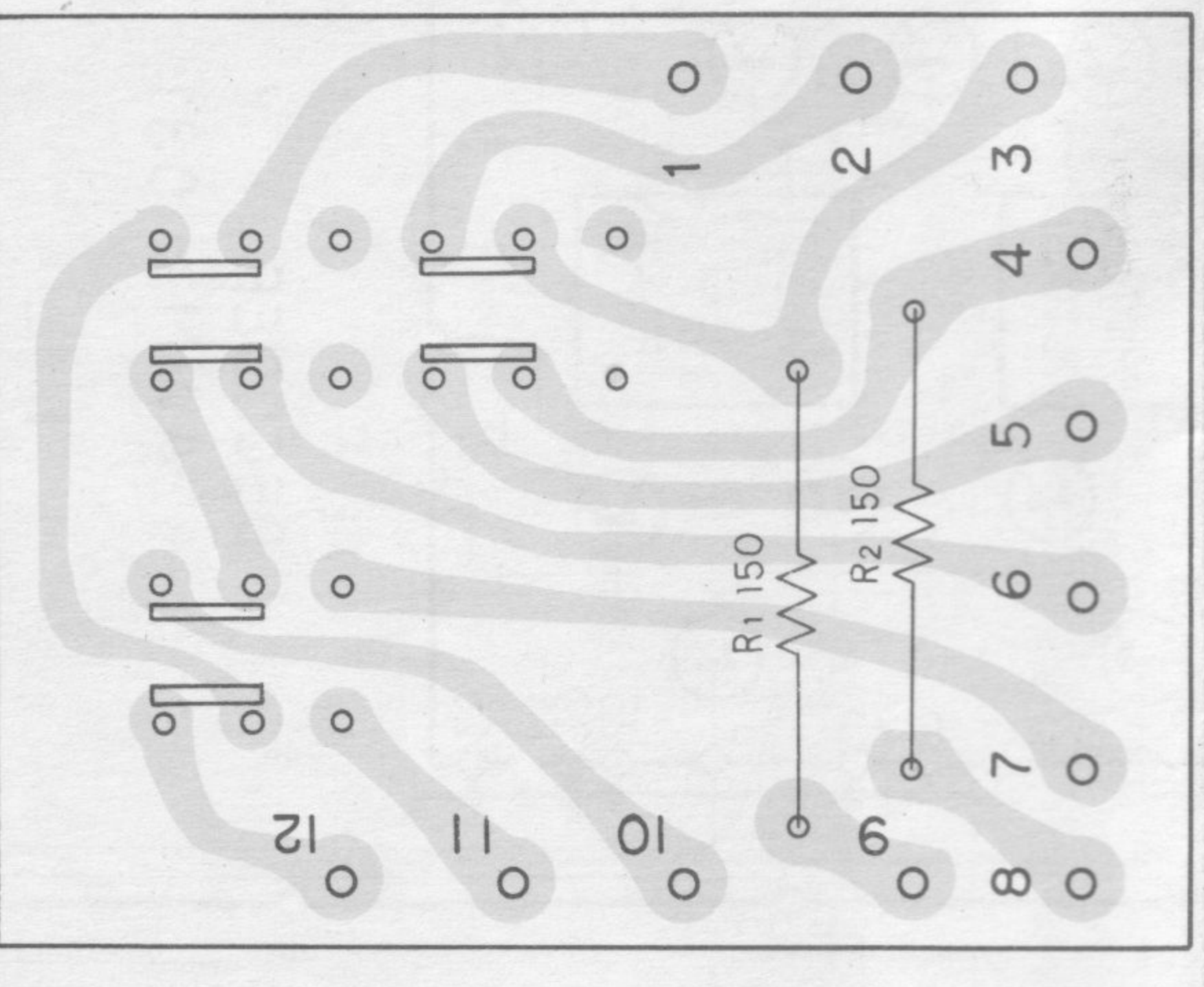
Head amp ass'y AWF-003



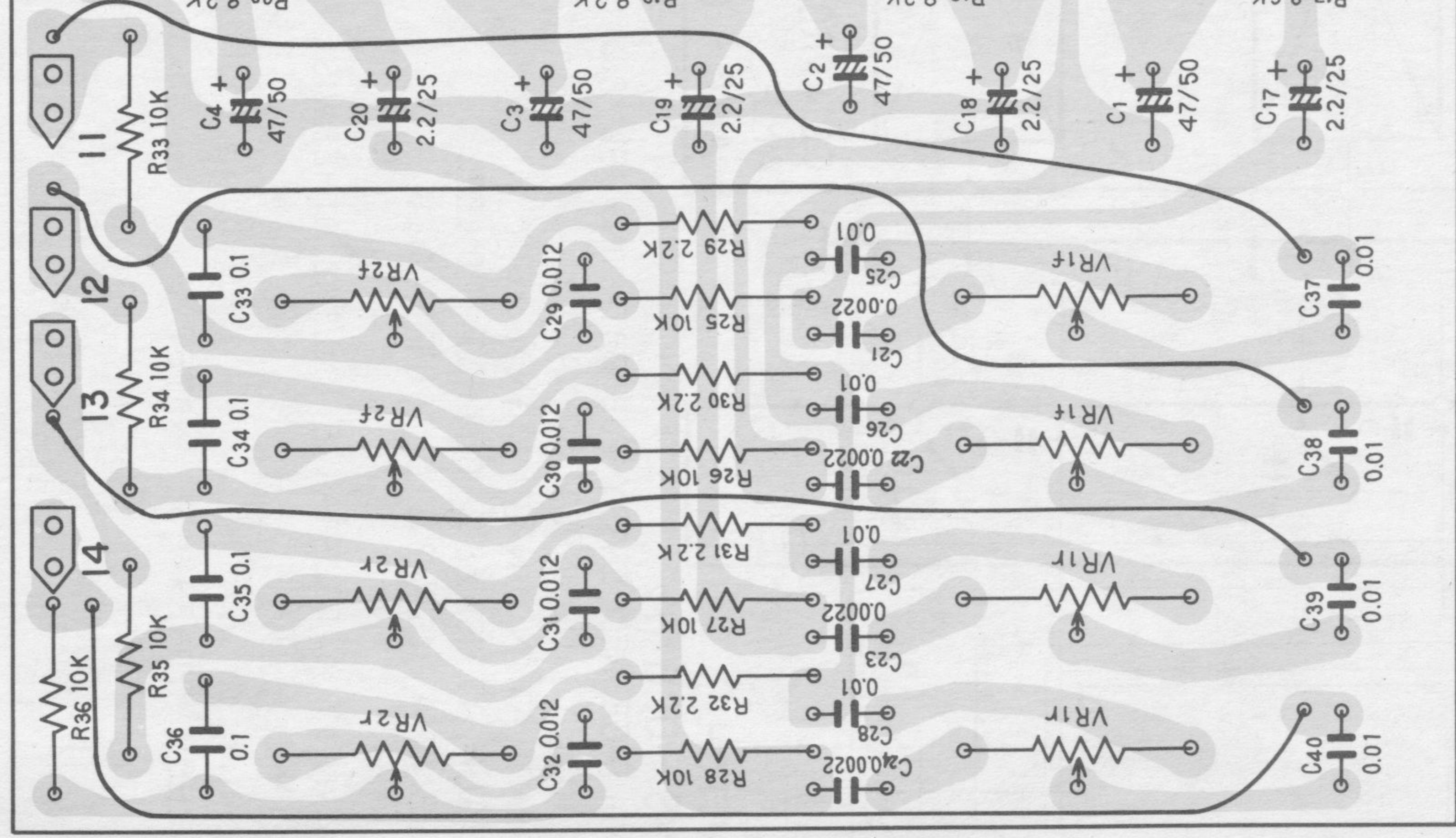
Switch ass'y AWS-023



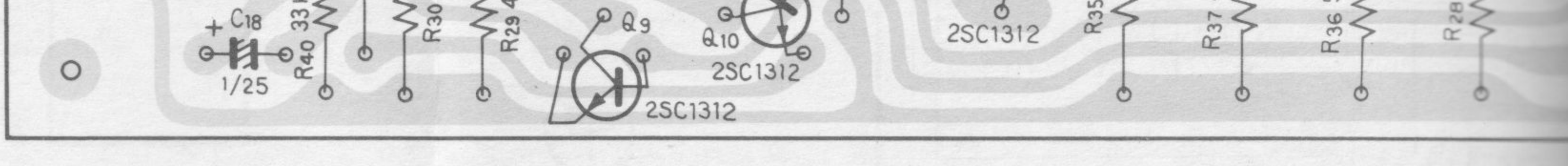
SP switch ass'y AWS-024



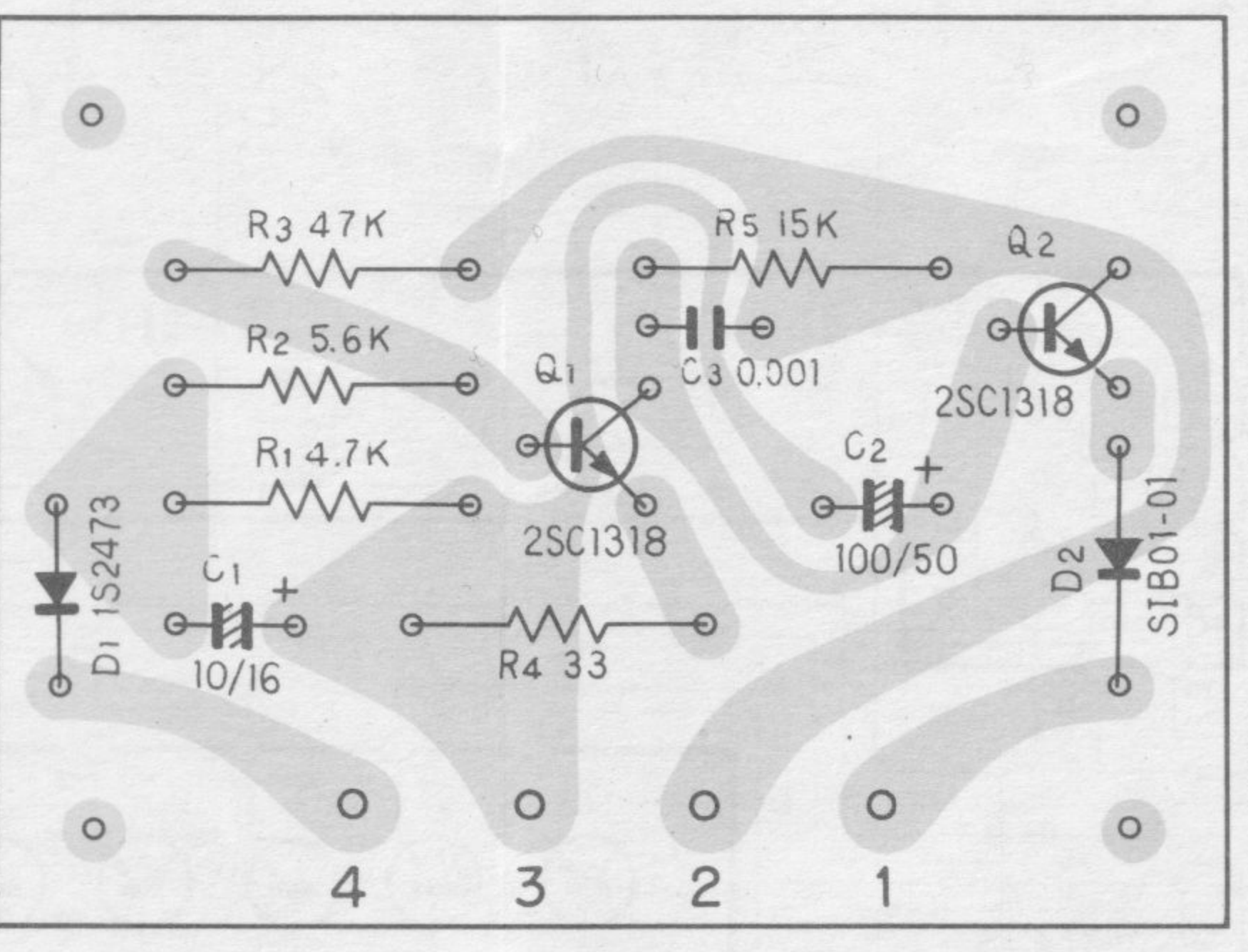
Control amp ass'y AWG-015



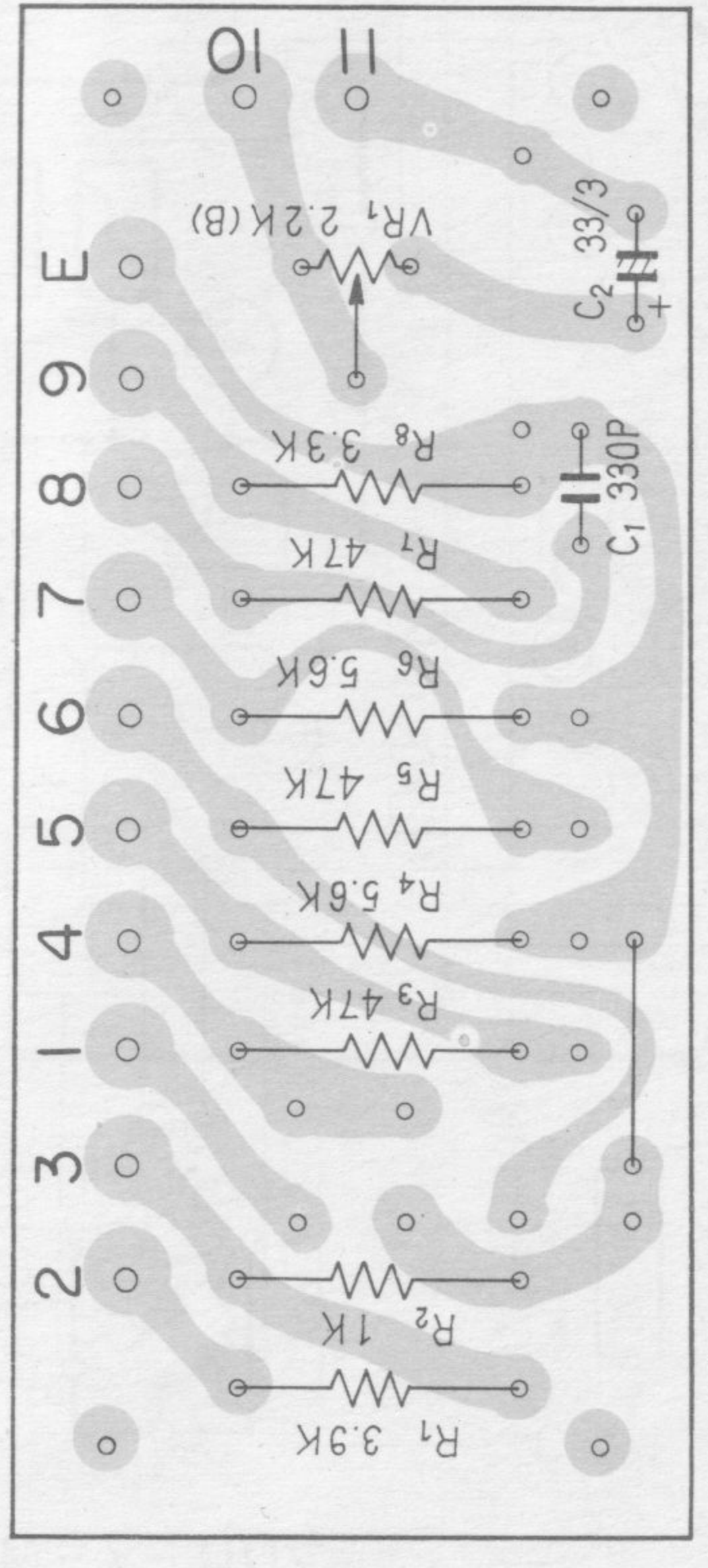
Decoder ass'y AWM-031



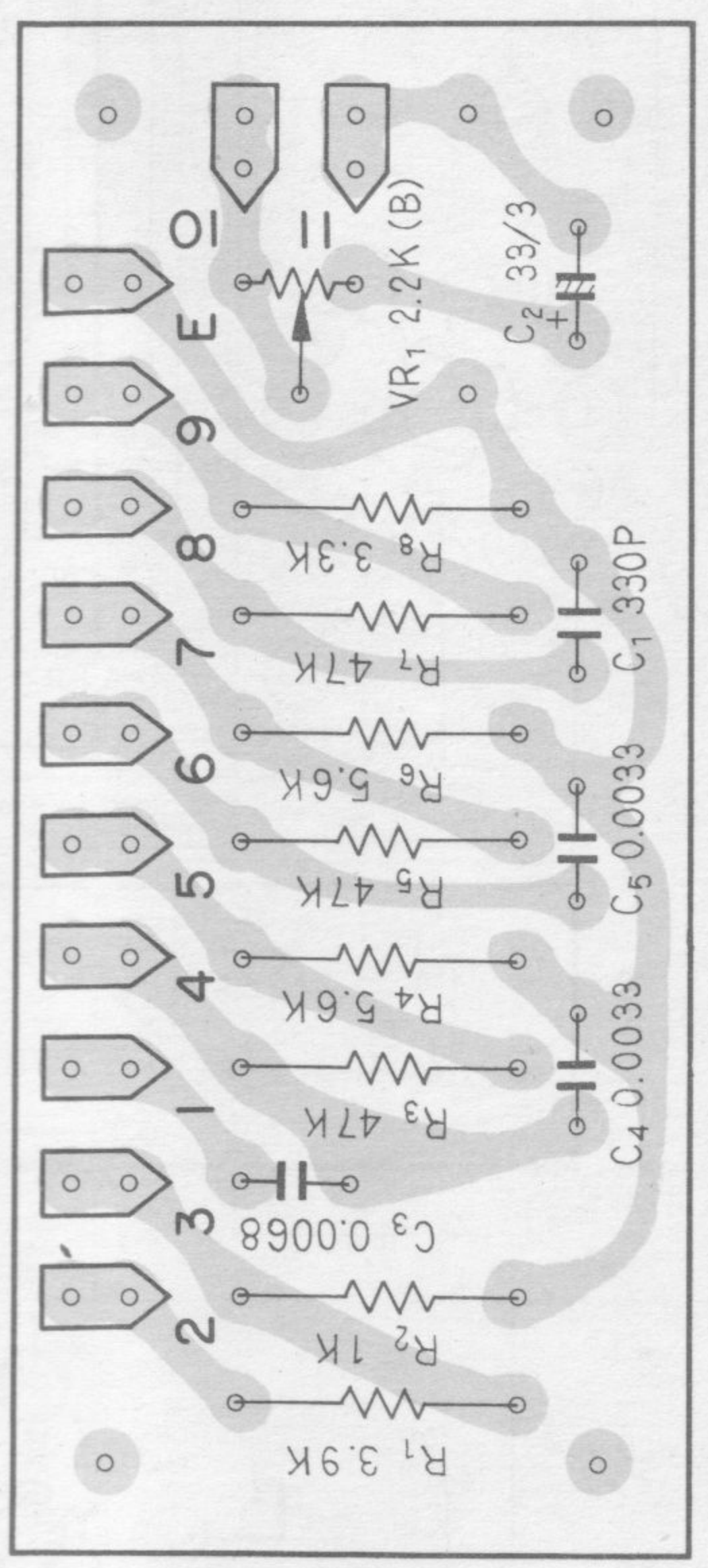
Muting ass'y AWM-033



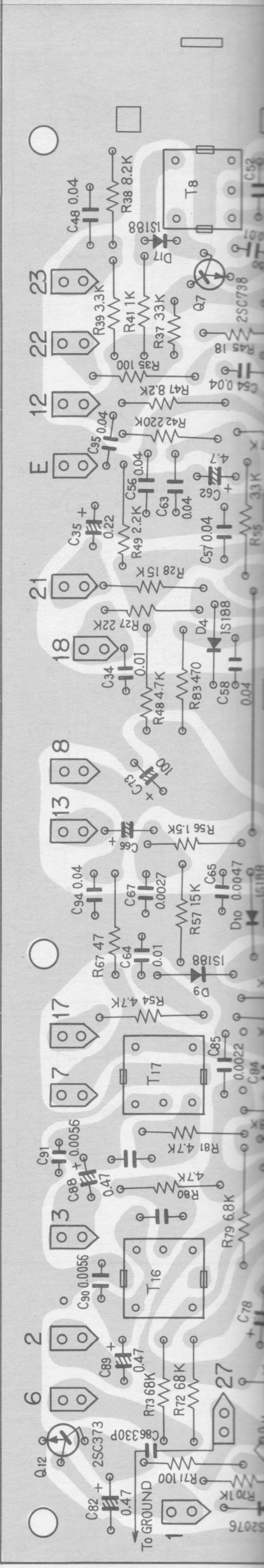
CR ass'y AWX-004 (FSAW, FW model)

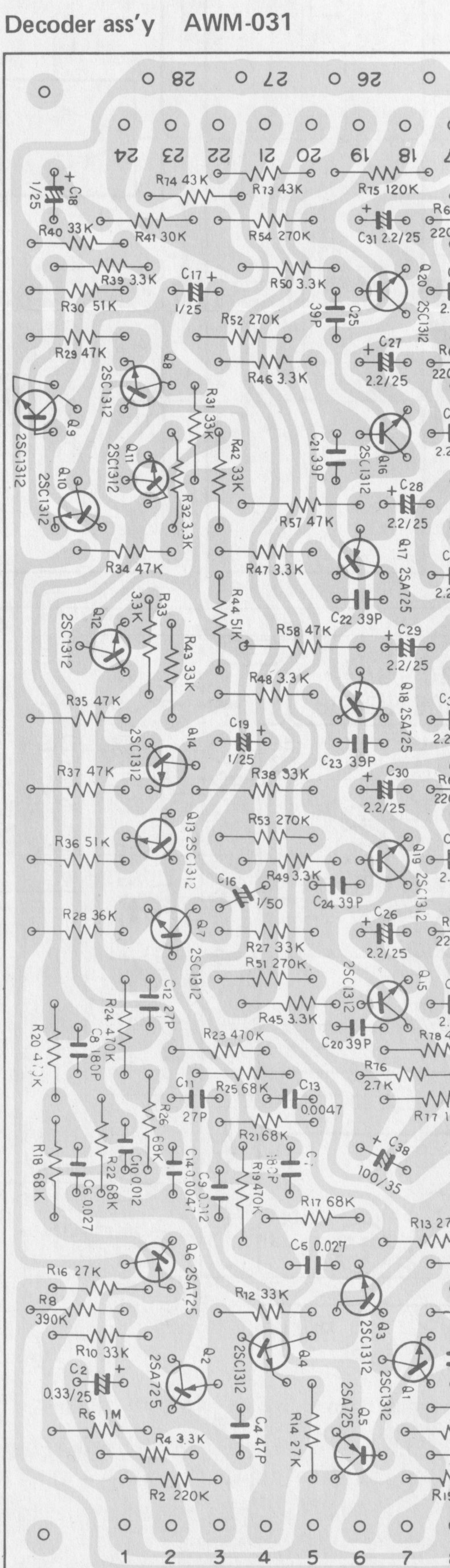
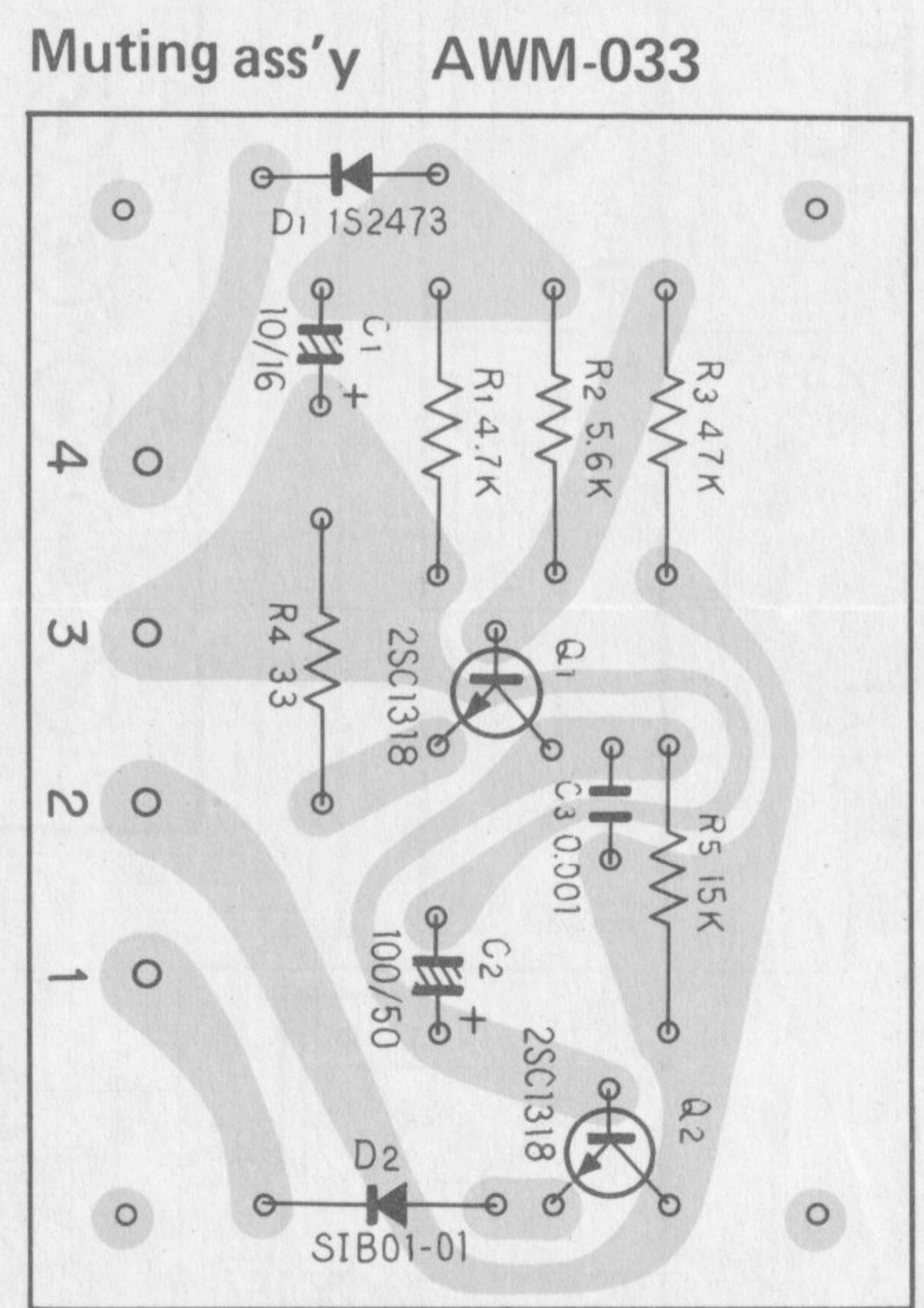
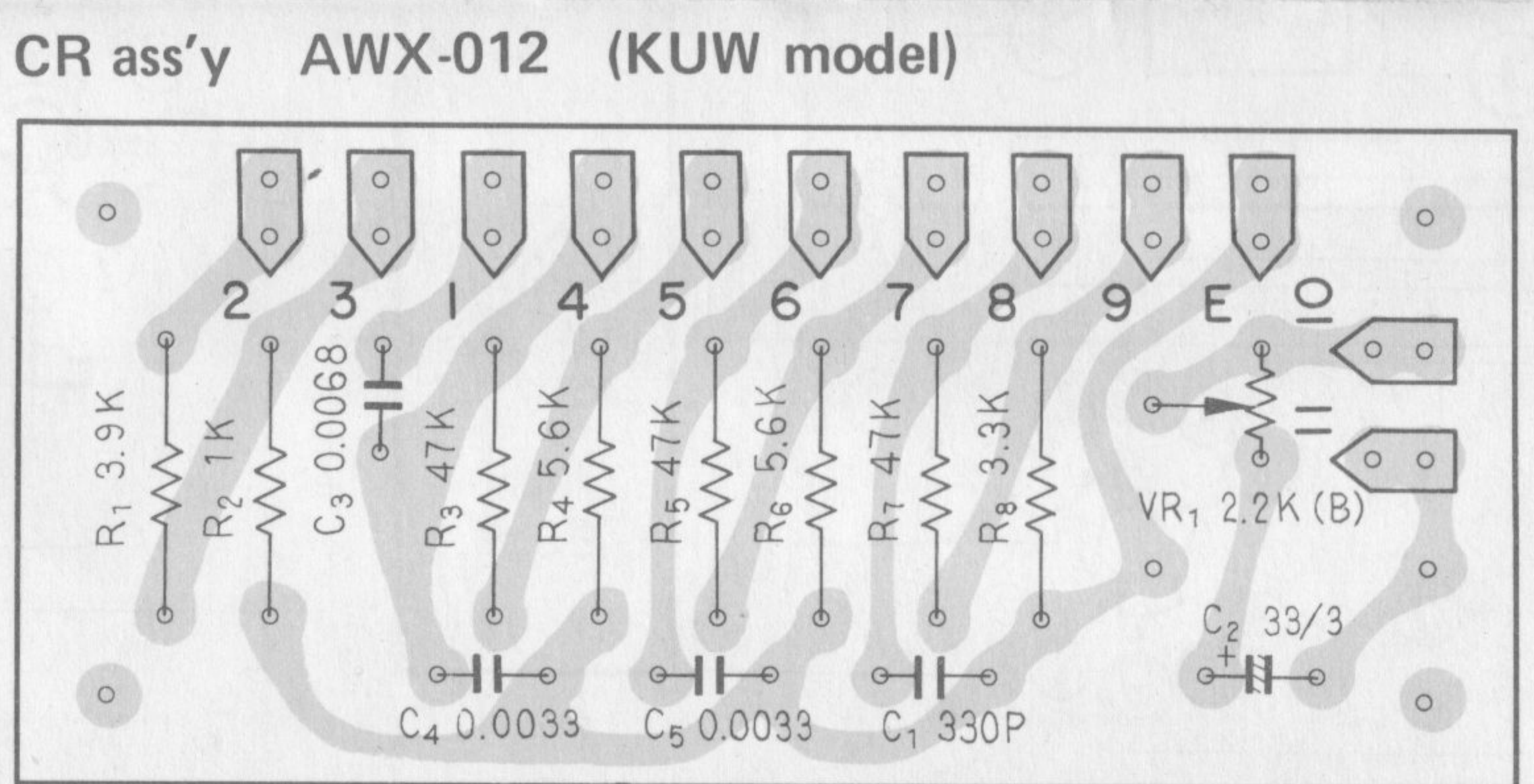
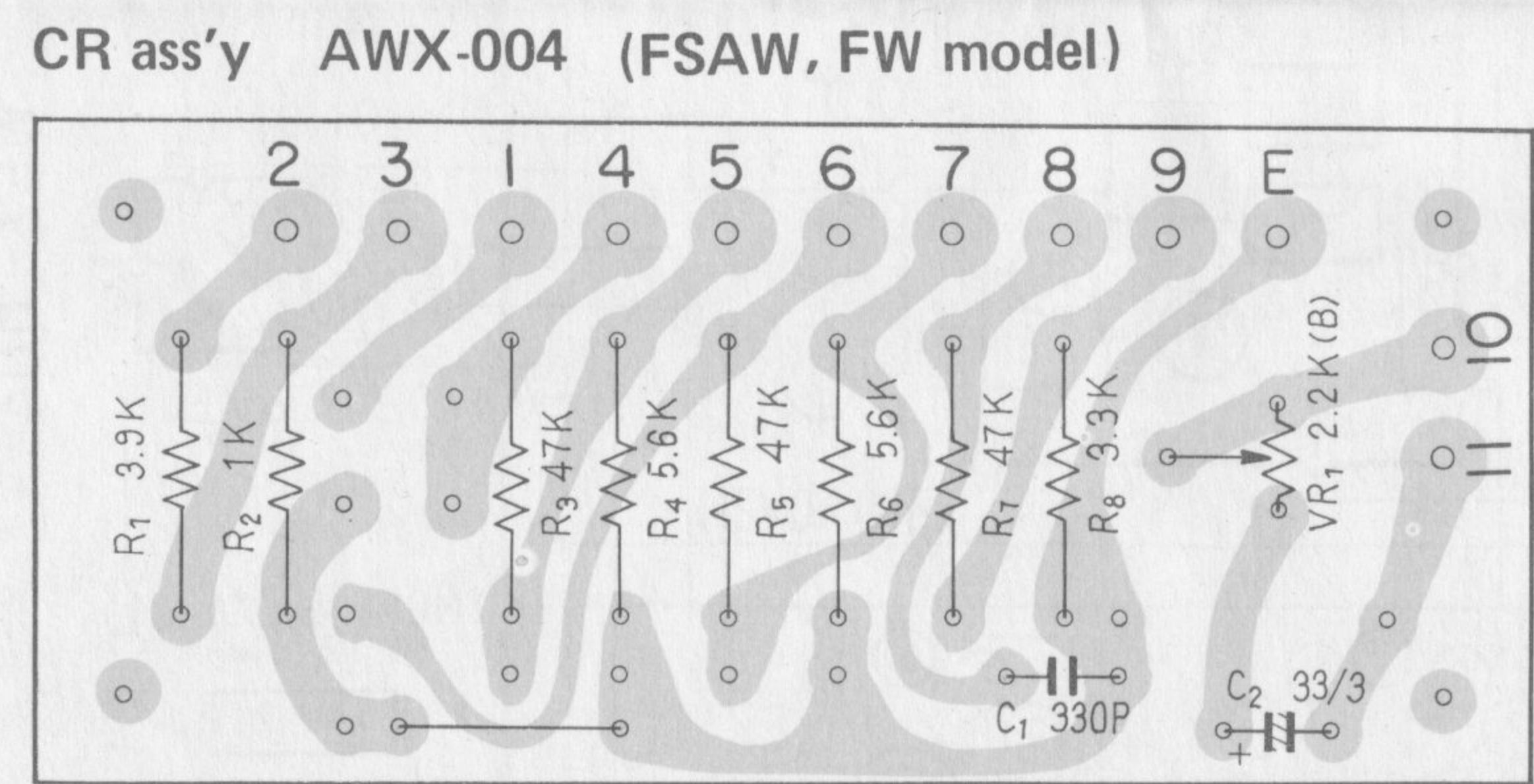
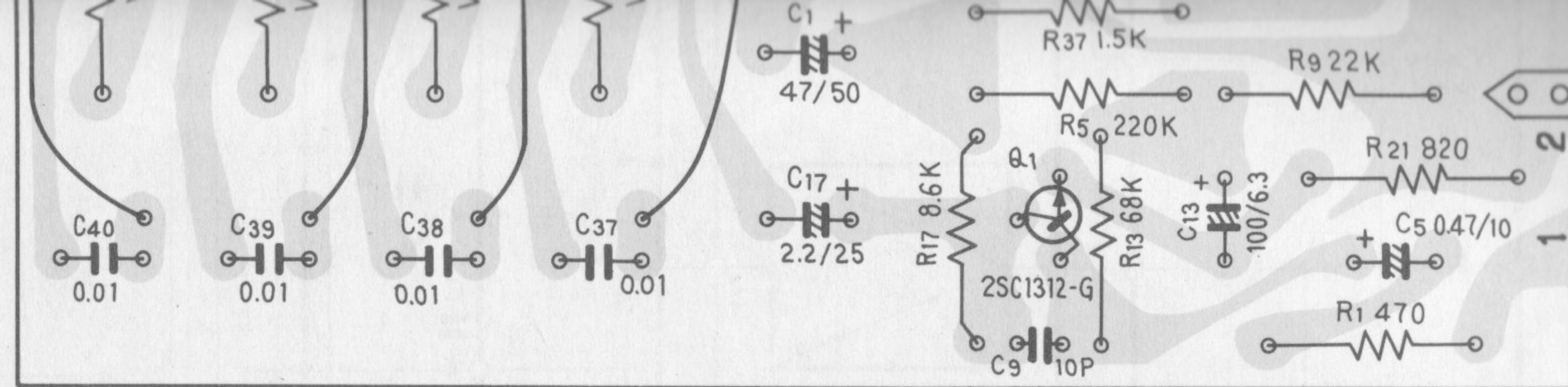
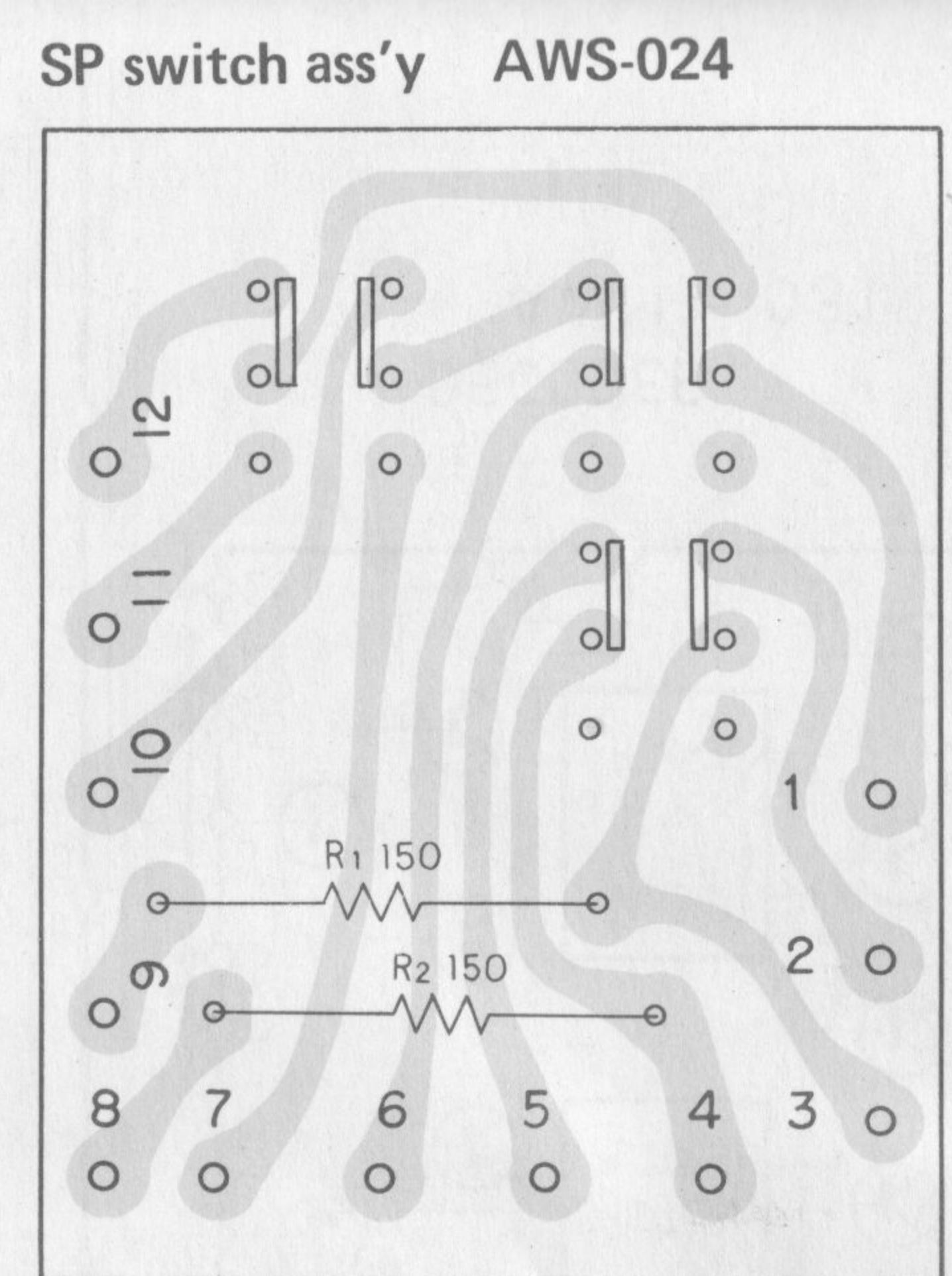
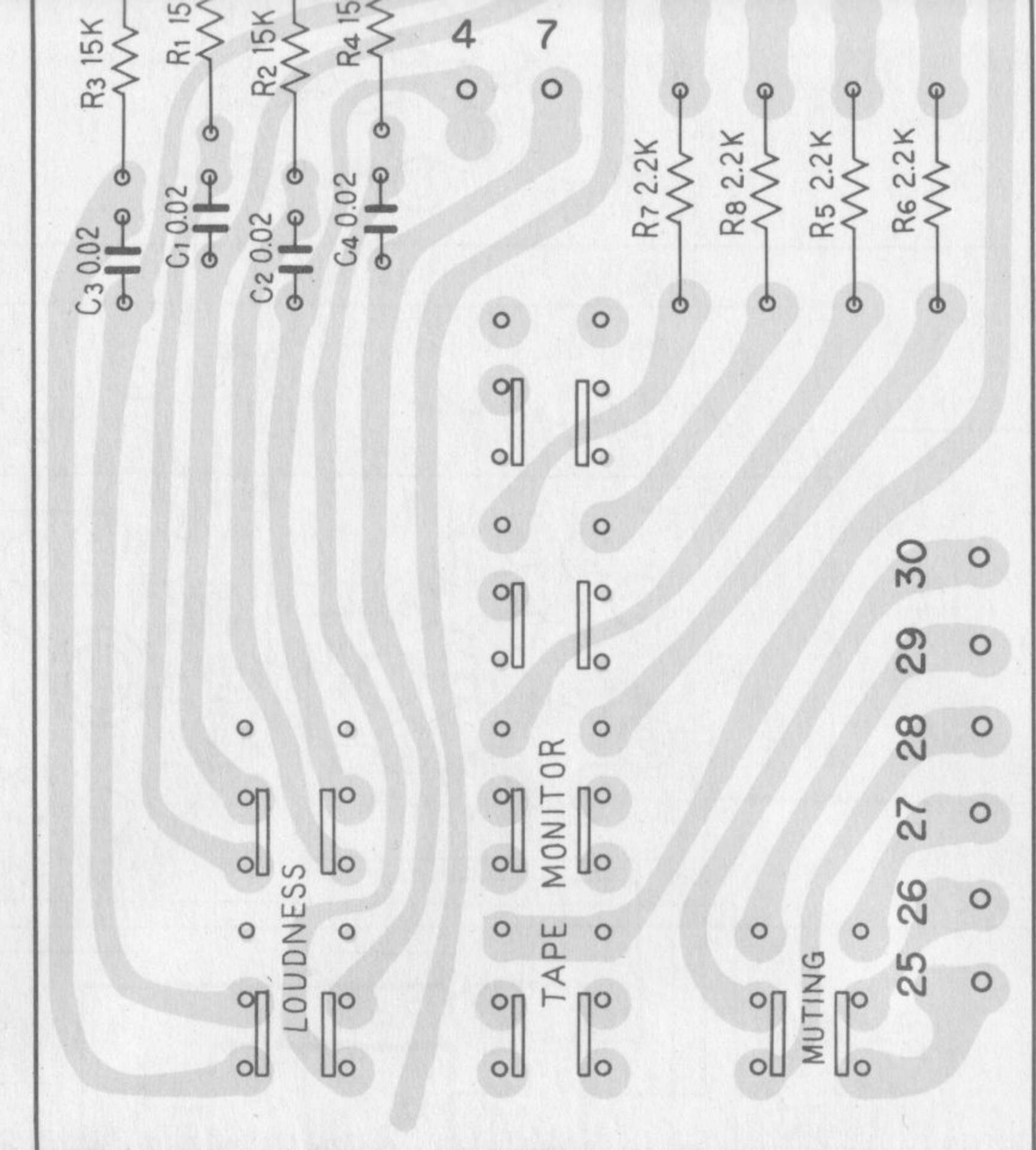
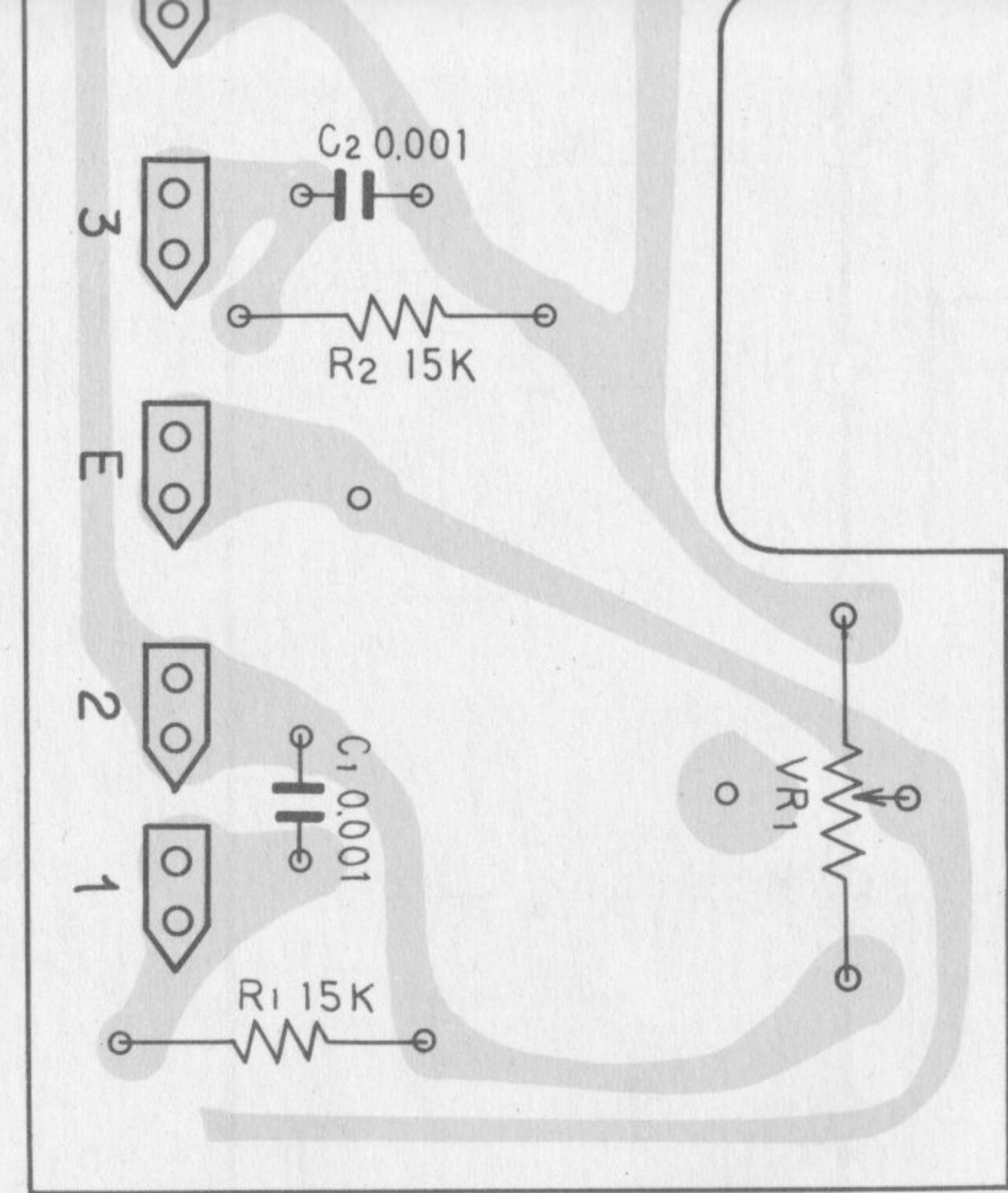


CR ass'y AWX-012 (KUW model)

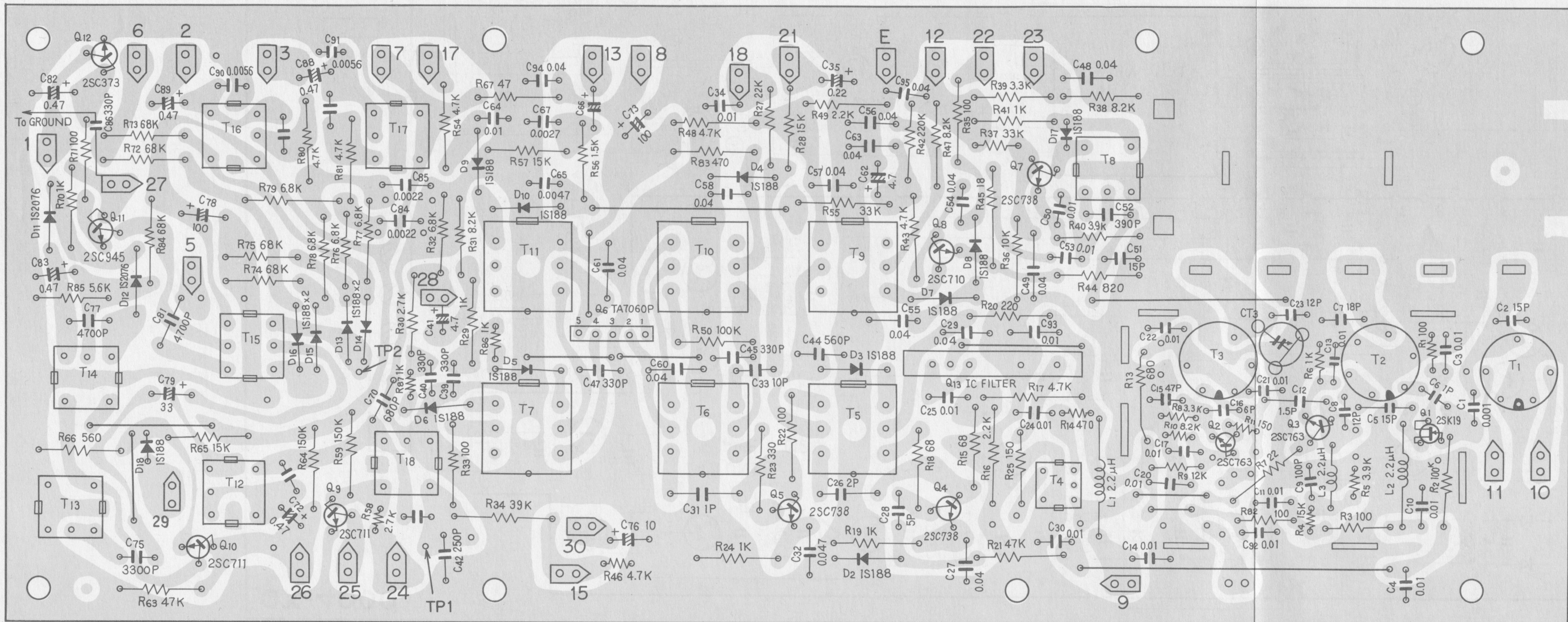


Tuner ass'y AWE-012

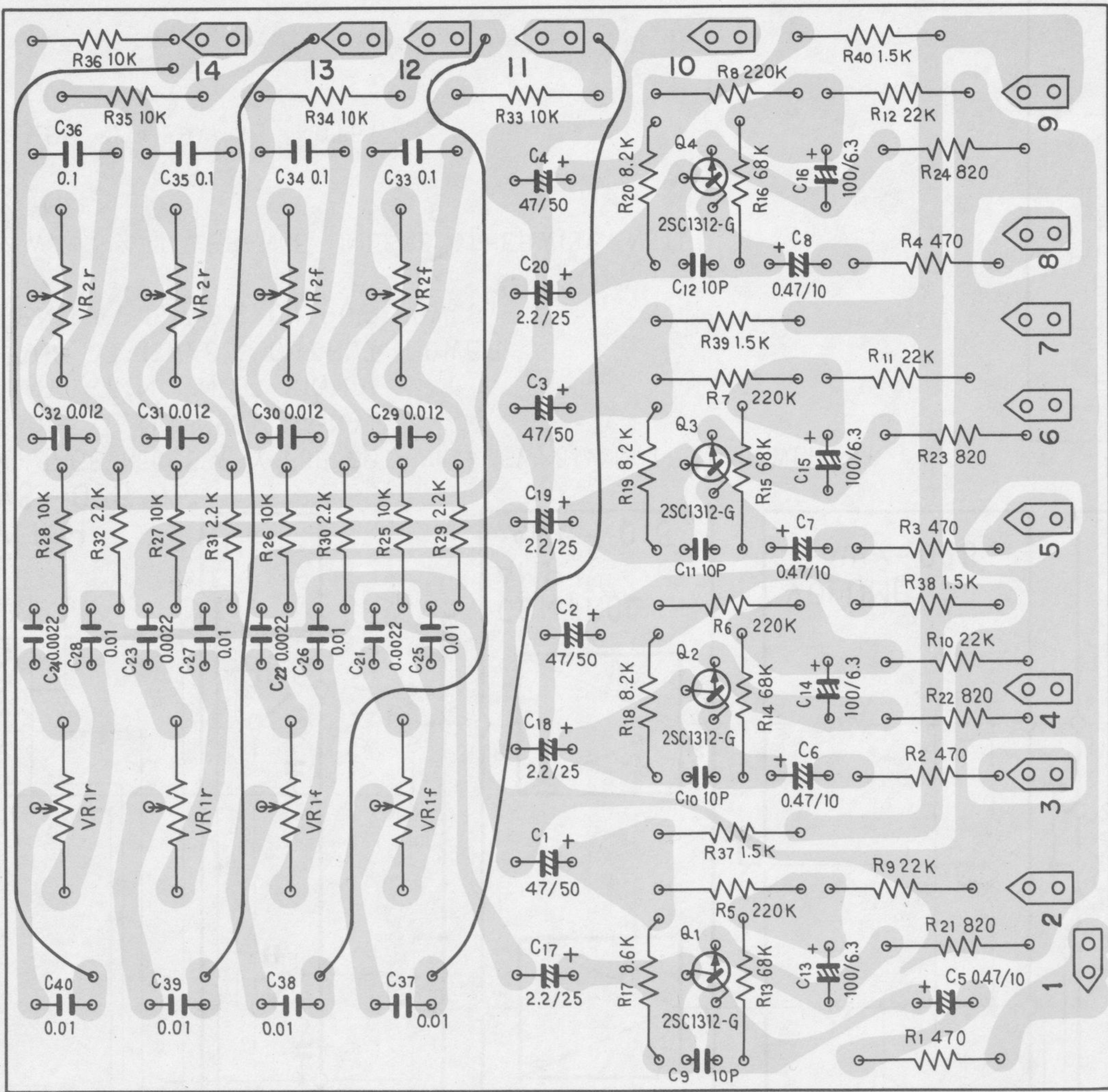




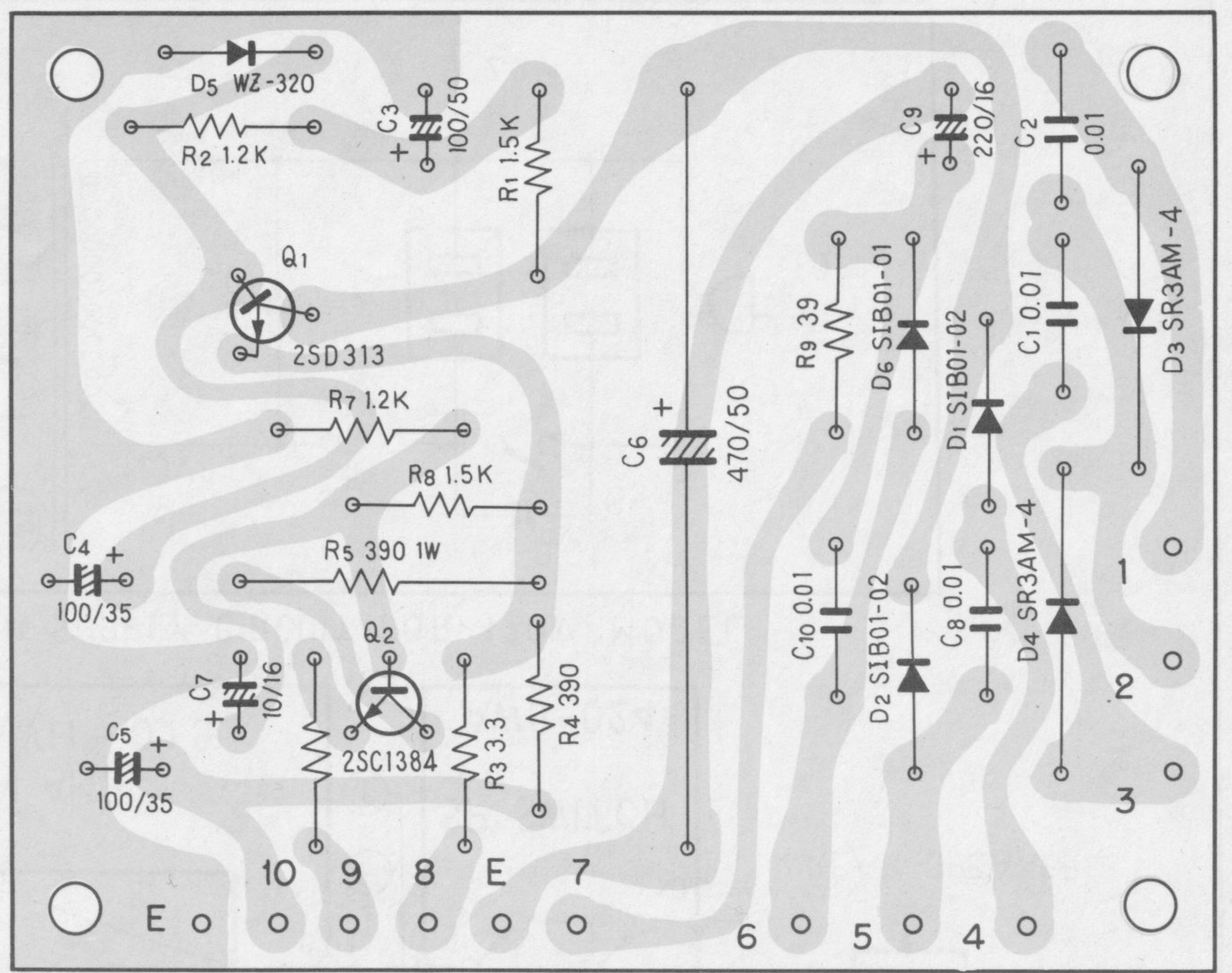
Tuner ass'y AWE-012



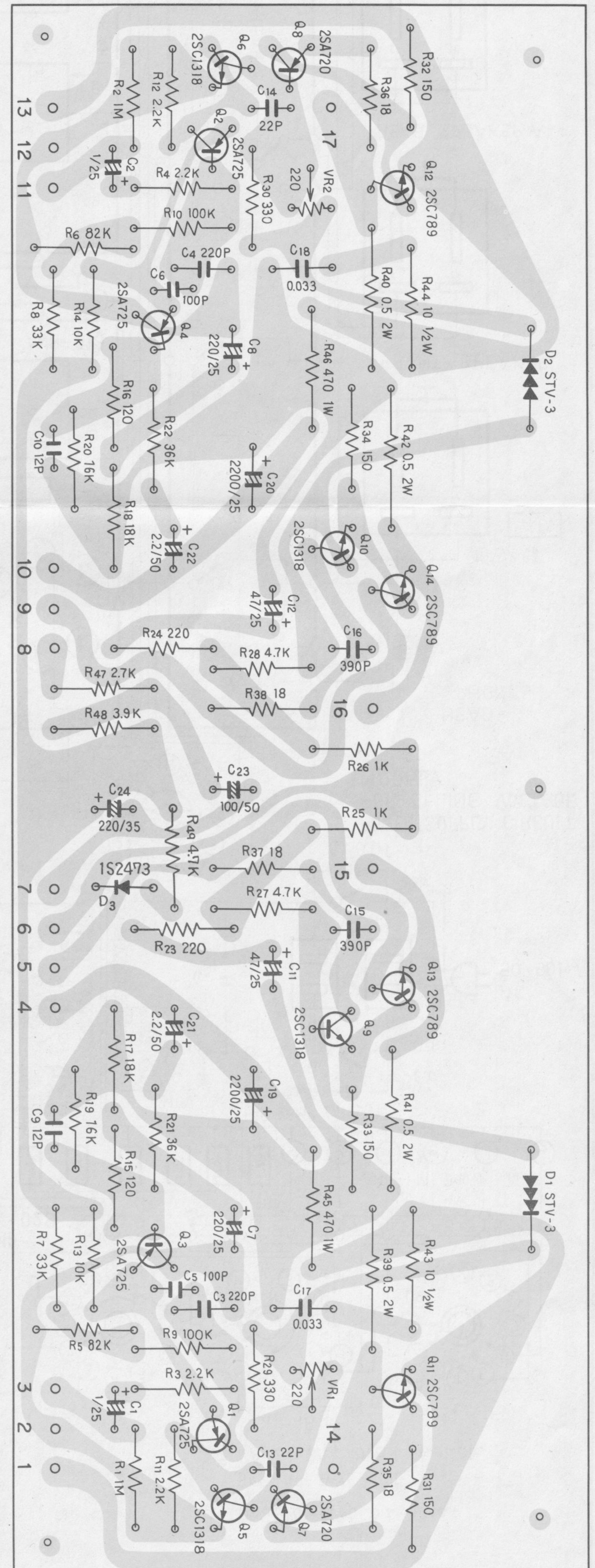
Control amp ass'y AWG-015



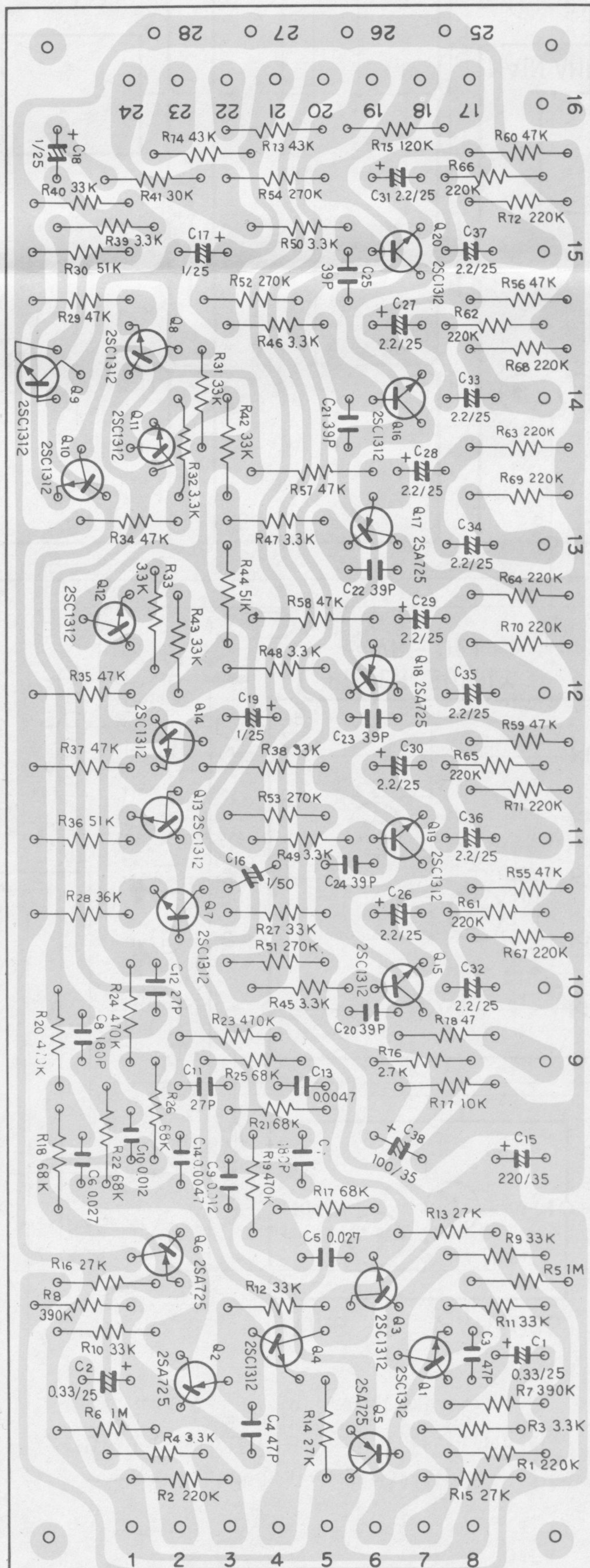
Power supply ass'y AWR-021



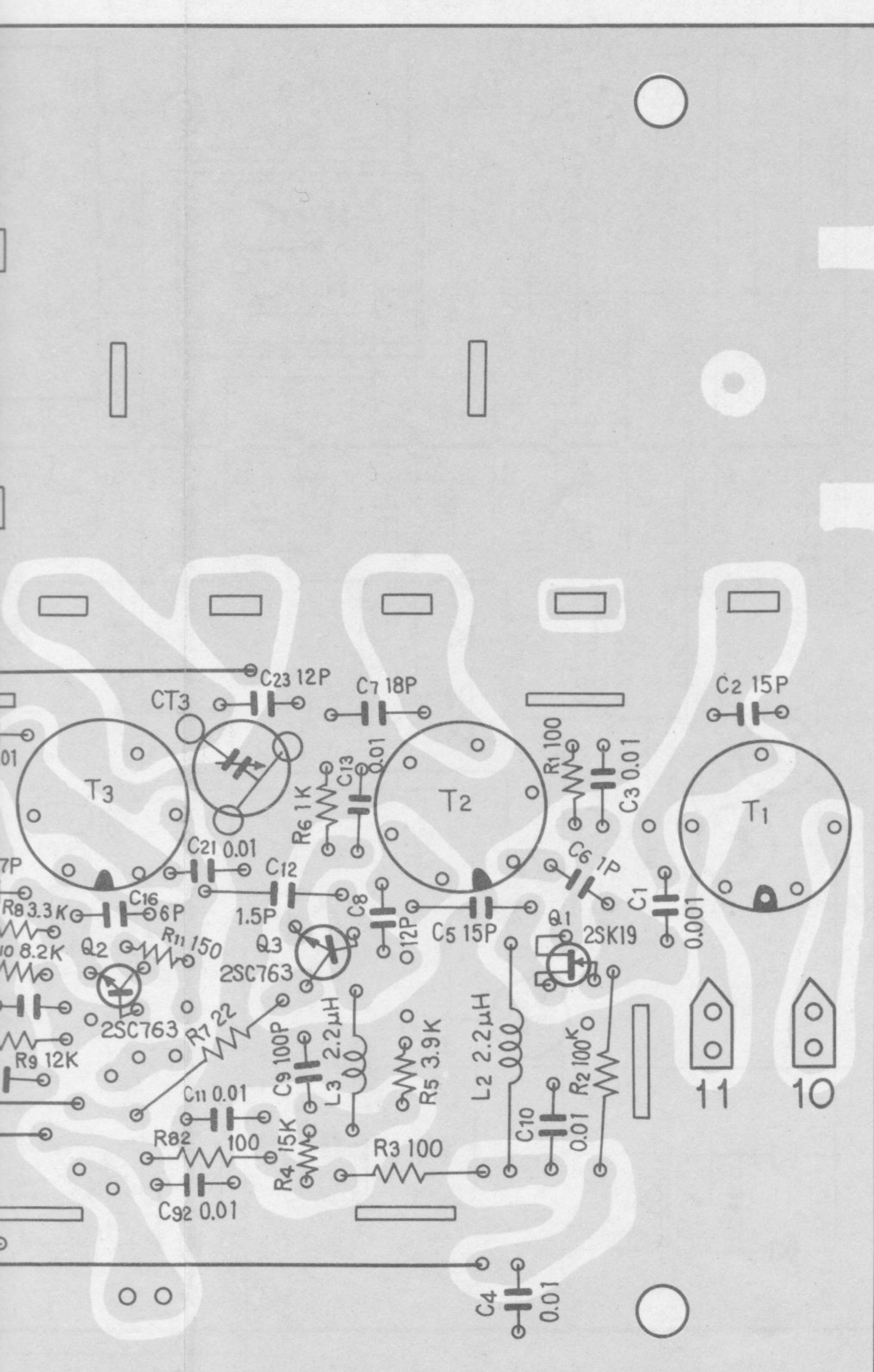
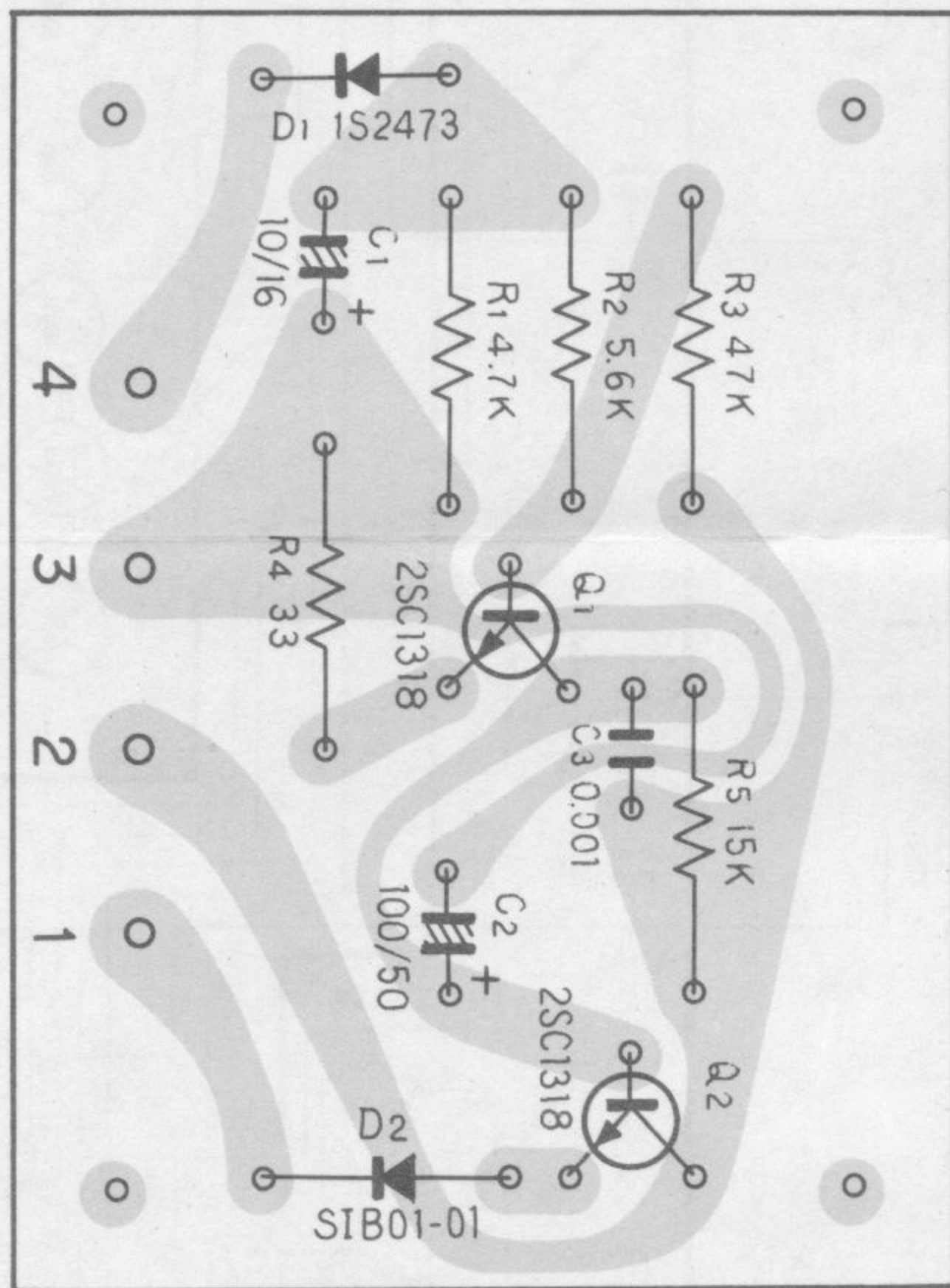
Power amp ass'y AWH-019



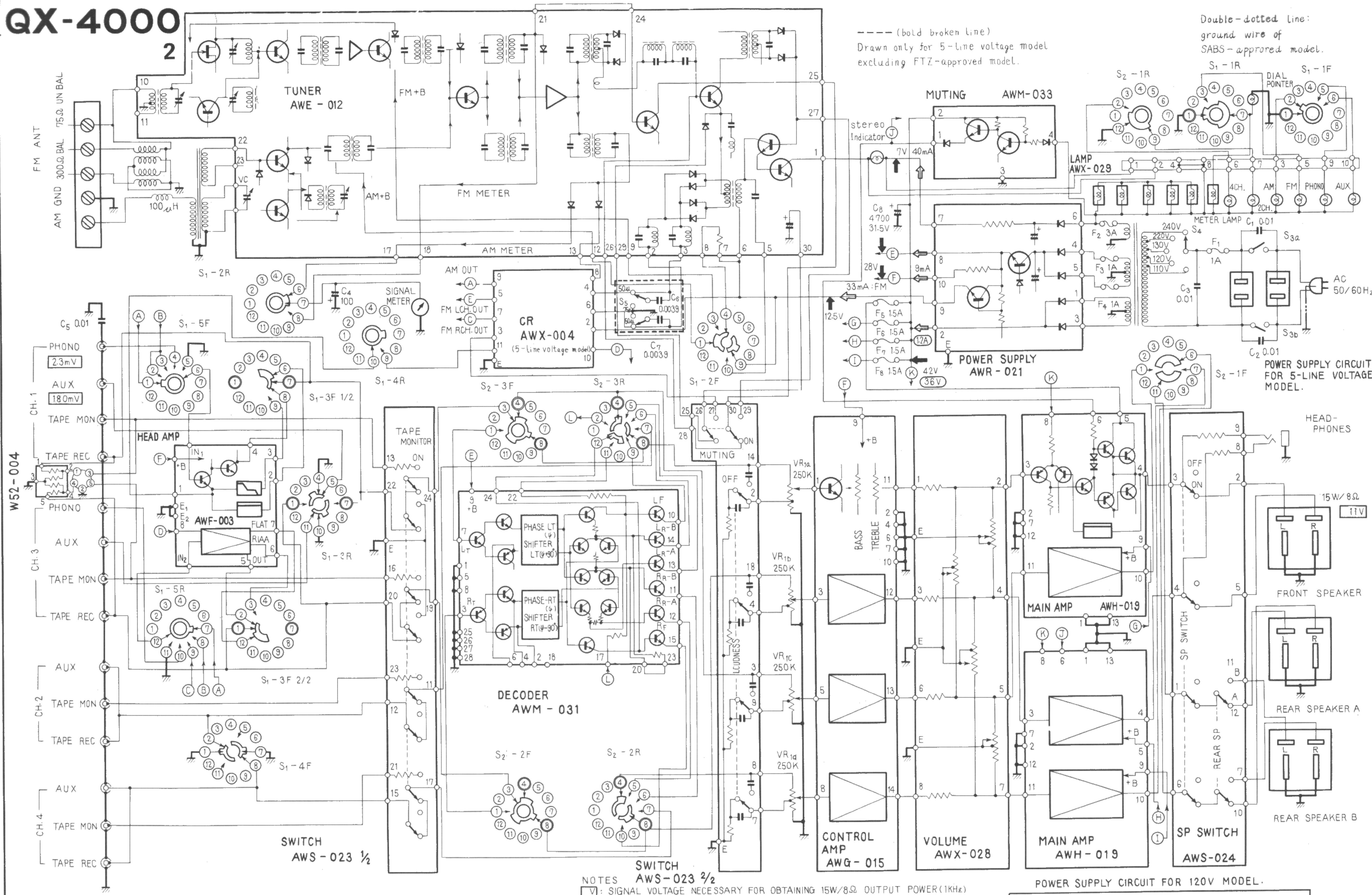
Decoder ass'y AWM-031



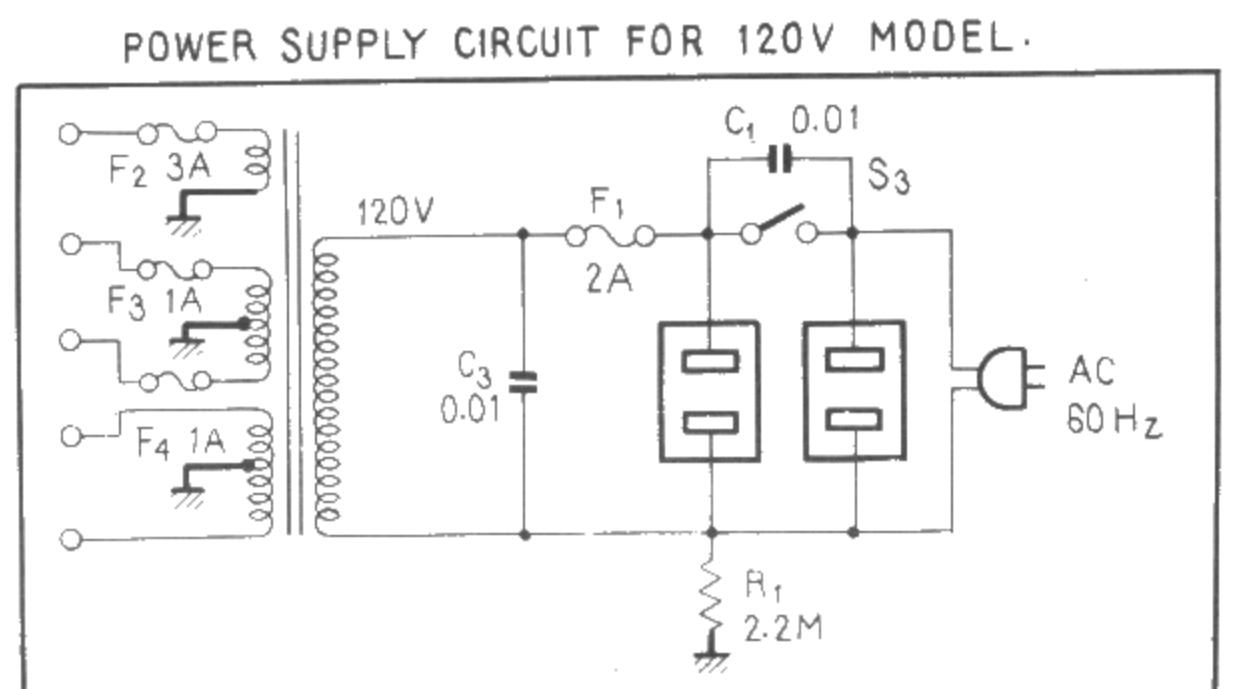
Muting ass'y AWM-033



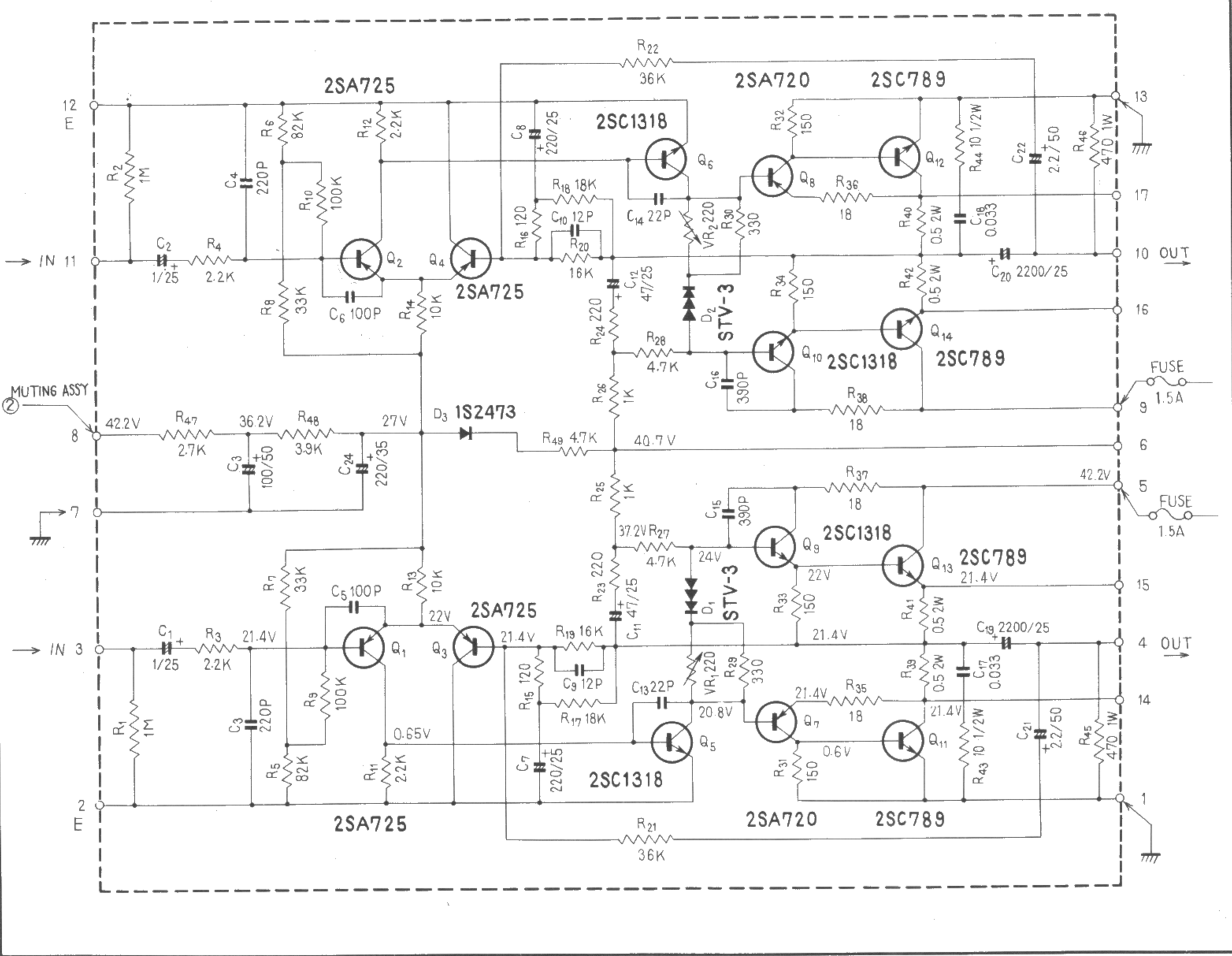
QX-4000



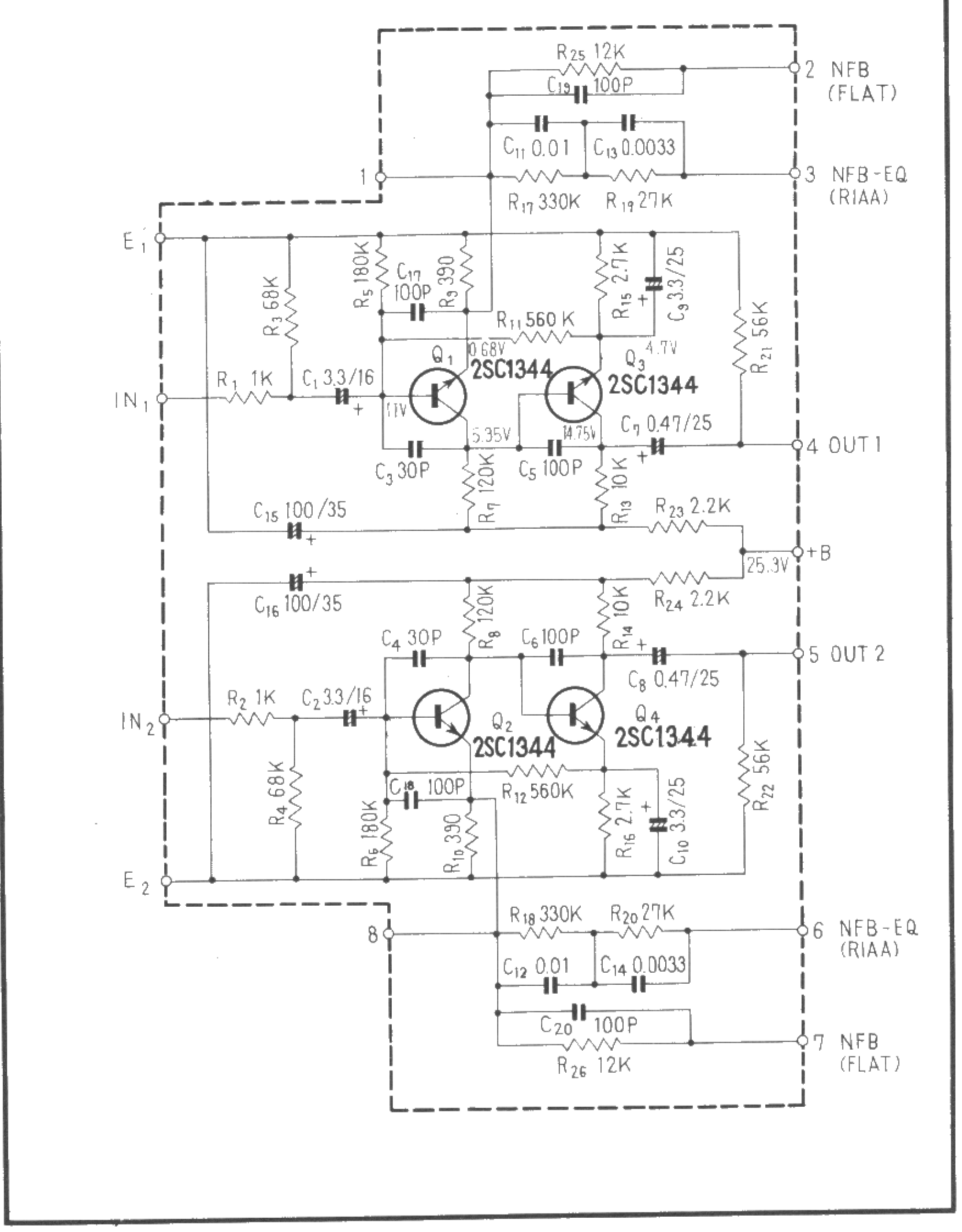
- RESISTORS**
 IN OHM, 1/4 W, ±5% TOLERANCE UNLESS OTHERWISE NOTED.
 K: KΩ, M: MΩ.
- CAPACITORS**
 IN μF UNLESS OTHERWISE NOTED.
 P: pF.
- NOTES:**
 V: SIGNAL VOLTAGE NECESSARY FOR OBTAINING 15W/8Ω OUTPUT POWER (1KHz)
 DC: DC VOLTAGE AT NO INPUT SIGNAL.
 A: DC CURRENT AT NO INPUT SIGNAL.
 DC: DC VOLTAGE AT 15W/8Ω OUTPUT POWER.
 A: DC CURRENT AT 15W/8Ω OUTPUT POWER.
- SWITCH**
 AWS-023 1/2
- | S ₁ , INPUT SELECTOR | S ₂ , MODE SELECTOR | S ₄ , LINE VOLTAGE SELECTOR | S ₅ , DE-EMPHASIS SWITCH |
|---------------------------------|--------------------------------|--|-------------------------------------|
| 1. AM | 1. 2CH. STEREO | | 50μS → 75μS |
| 2. FM MONO | 2. MATRIX REGULAR | | |
| 3. FM AUTO | 3. MATRIX SQ | | |
| 4. PHONO | 4. DISCRETE | | |
| 5. AUX | | | |
- S₃, POWER OFF → ON



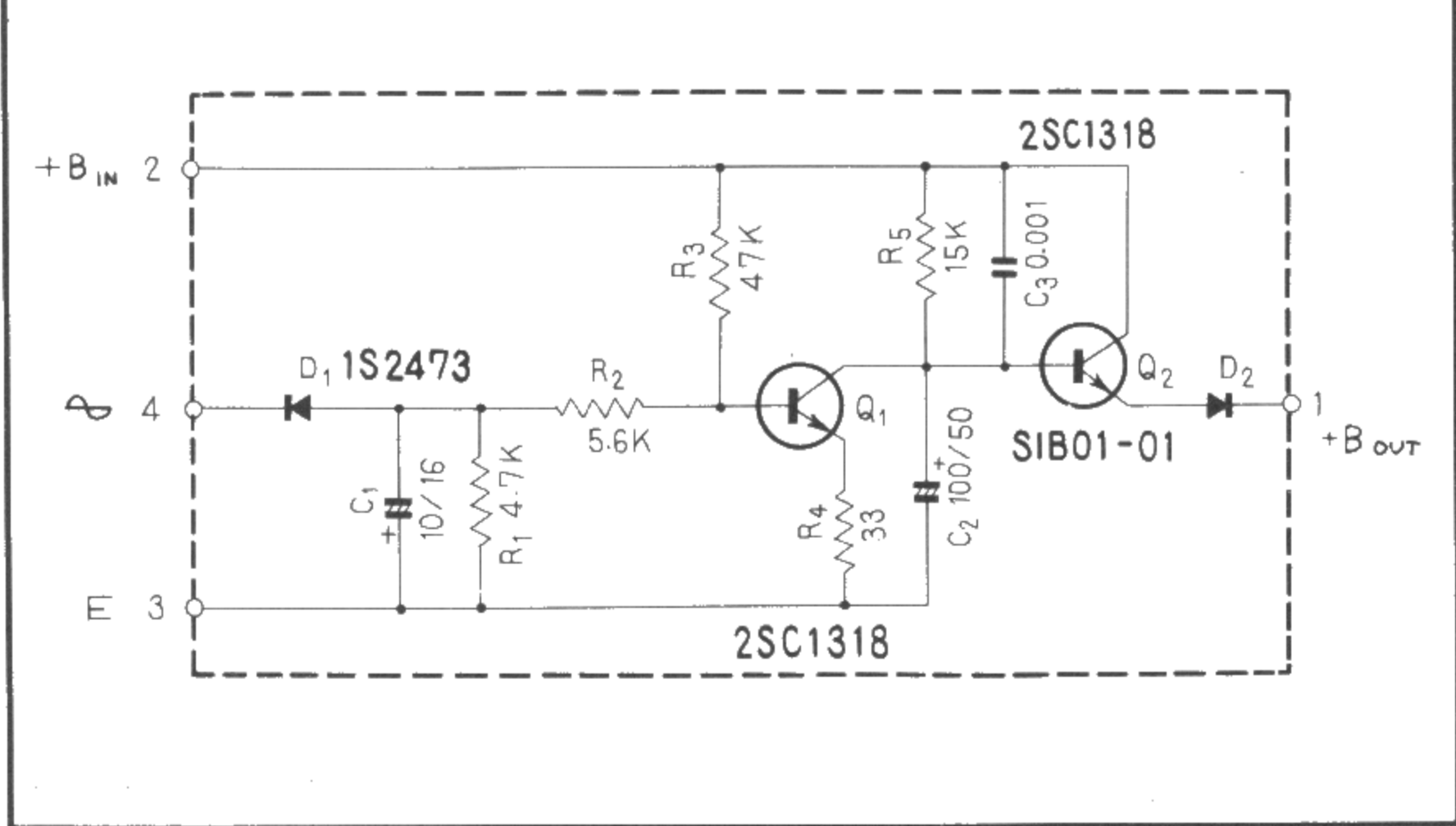
Main amp ass'y AWH-019



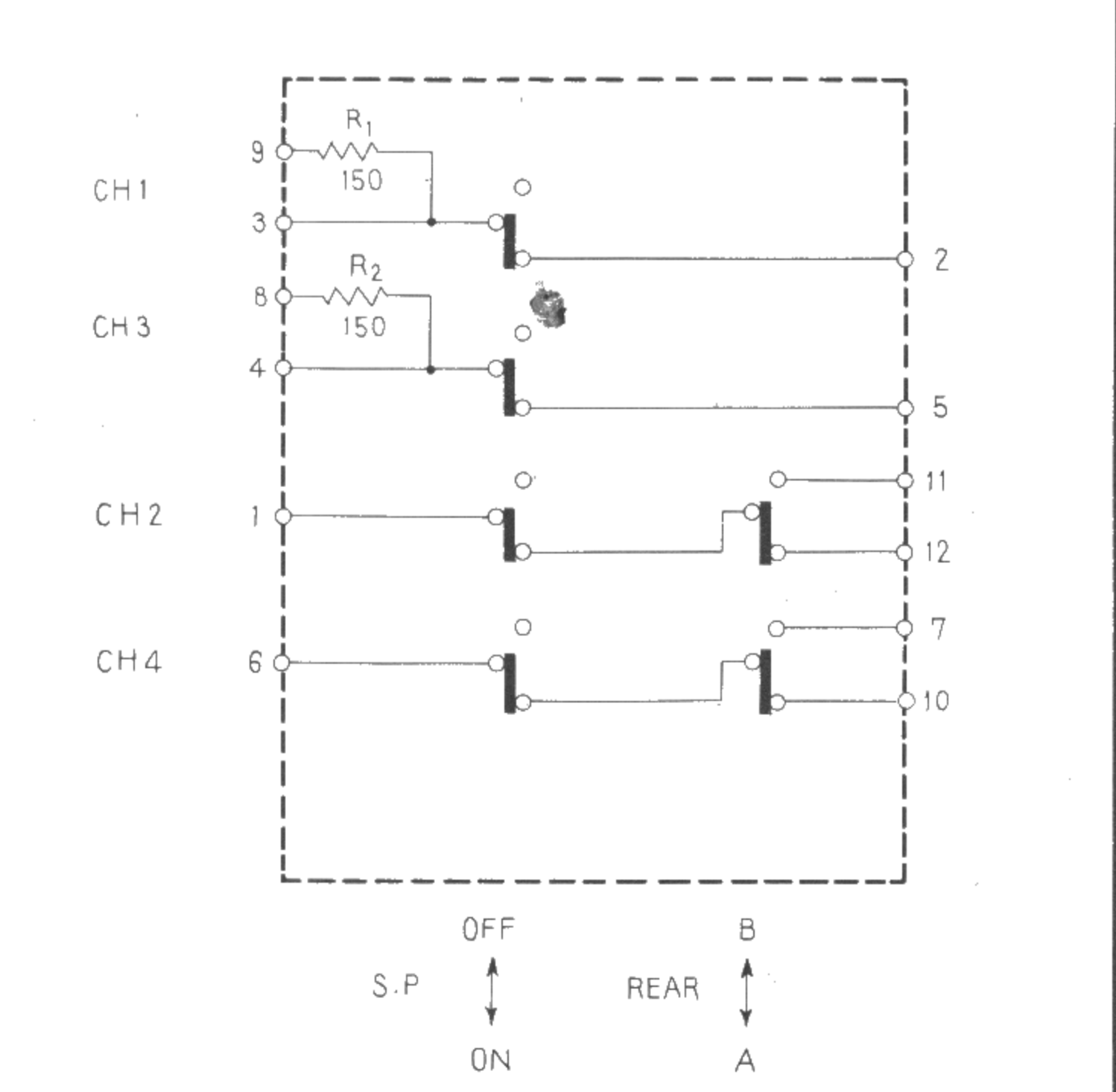
Head amp ass'y AWF-003



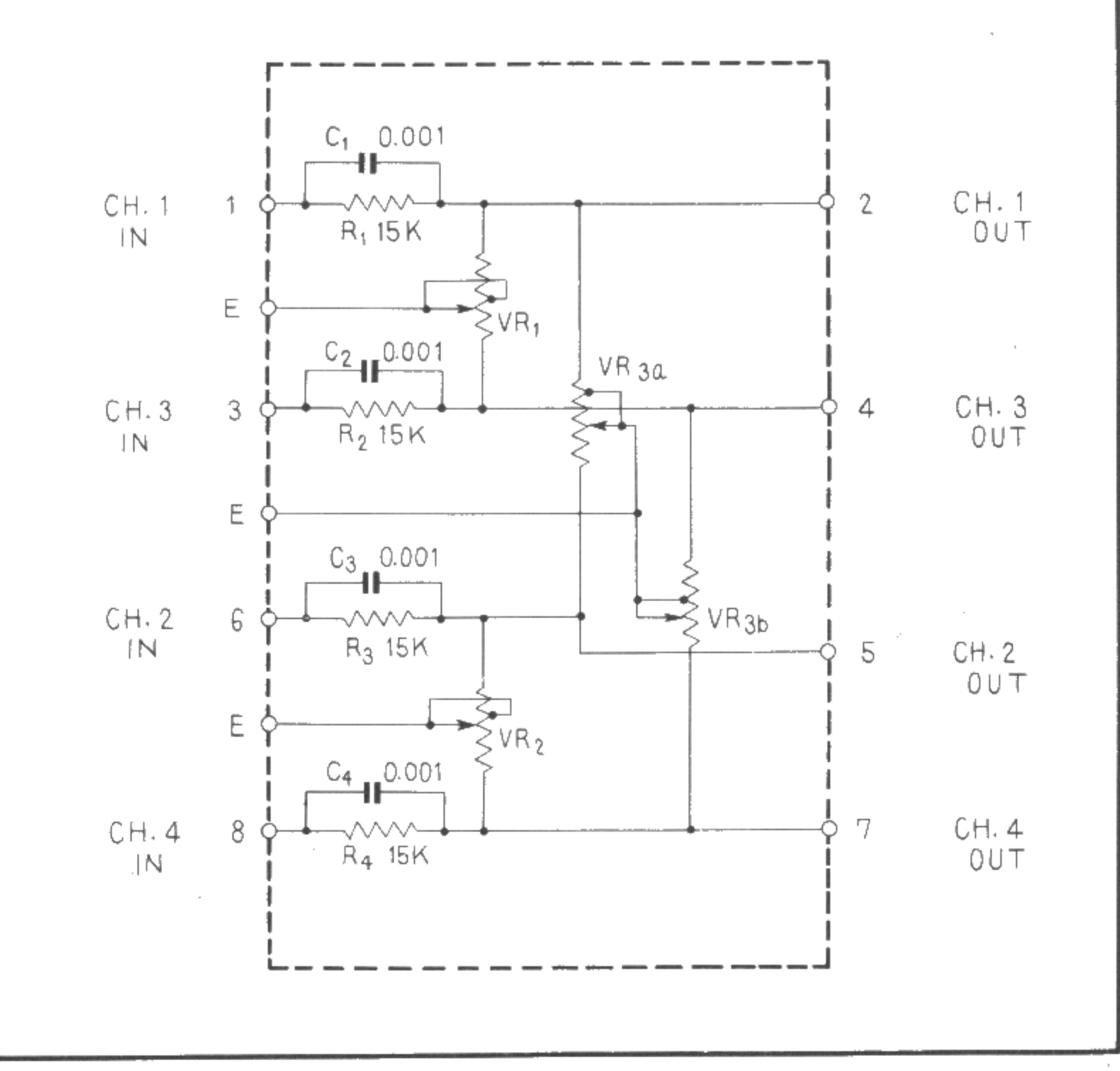
Muting ass'y AWM-033



SP switch ass'y AWS-024



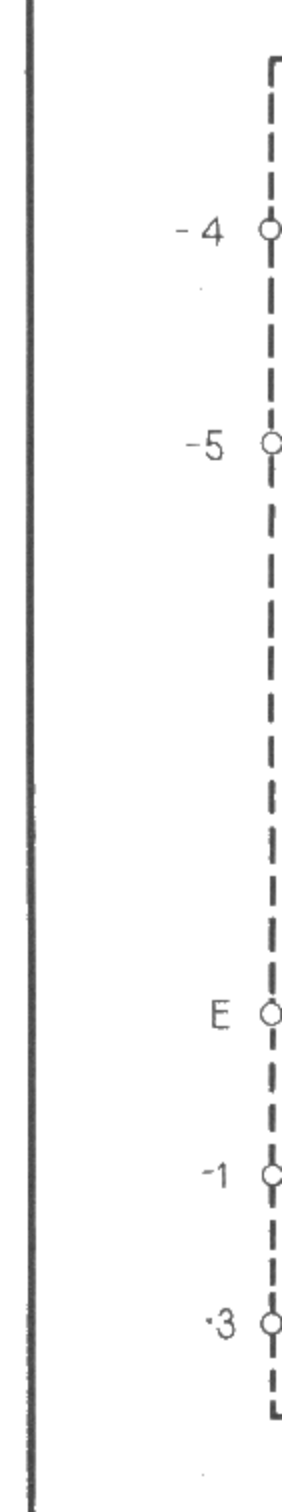
Volume ass'y AWX-028



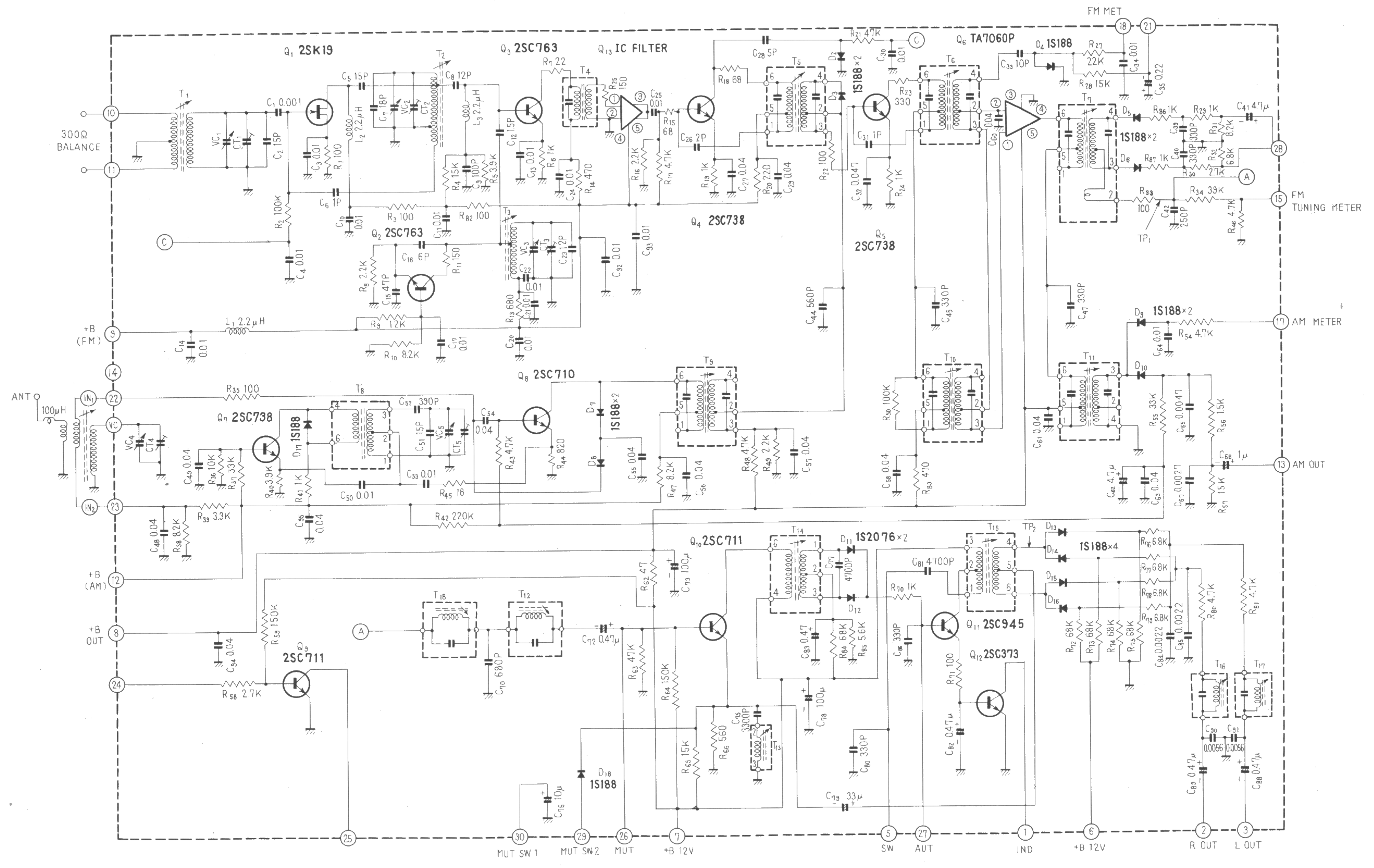
Switch as...



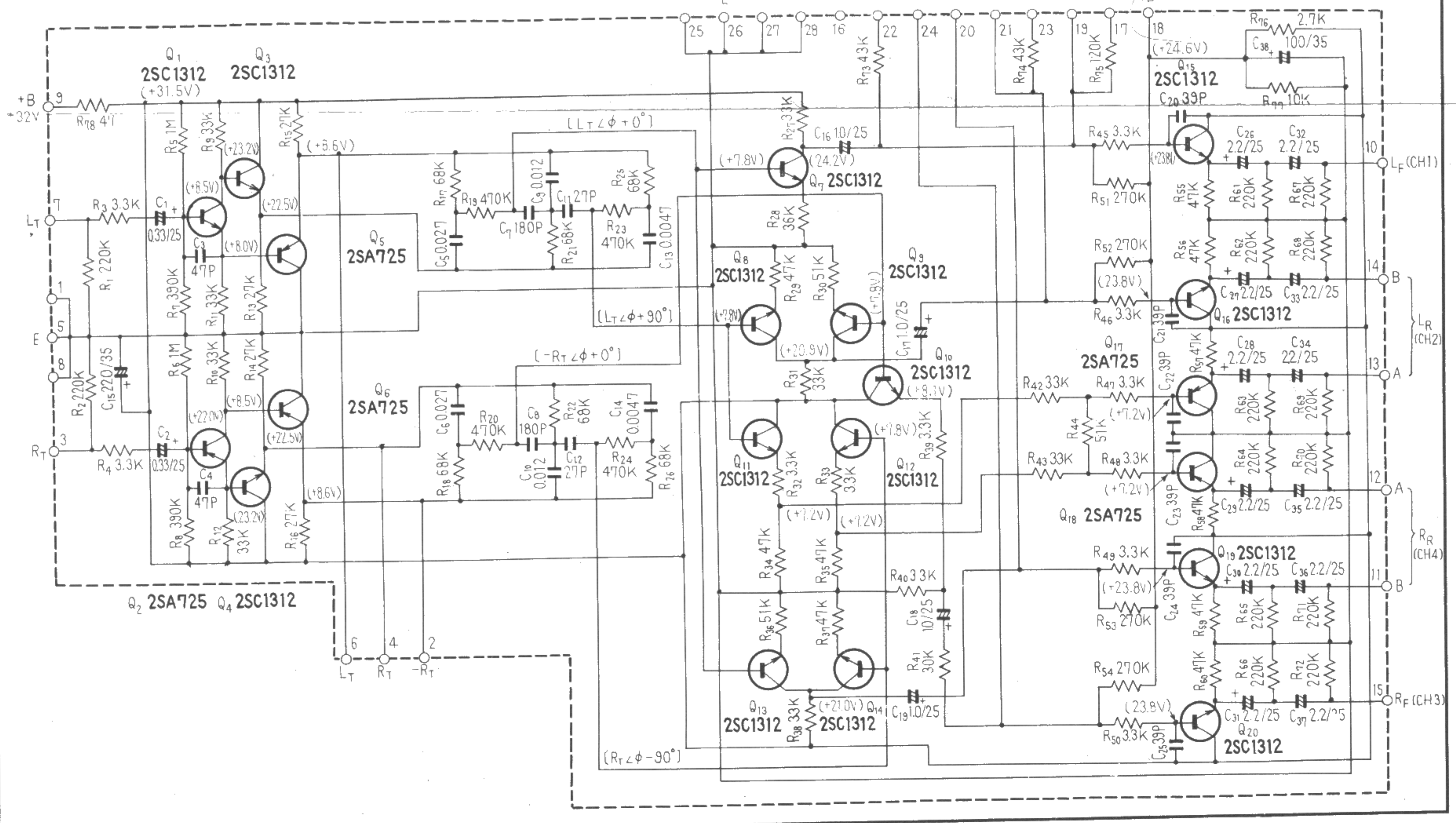
Power s...



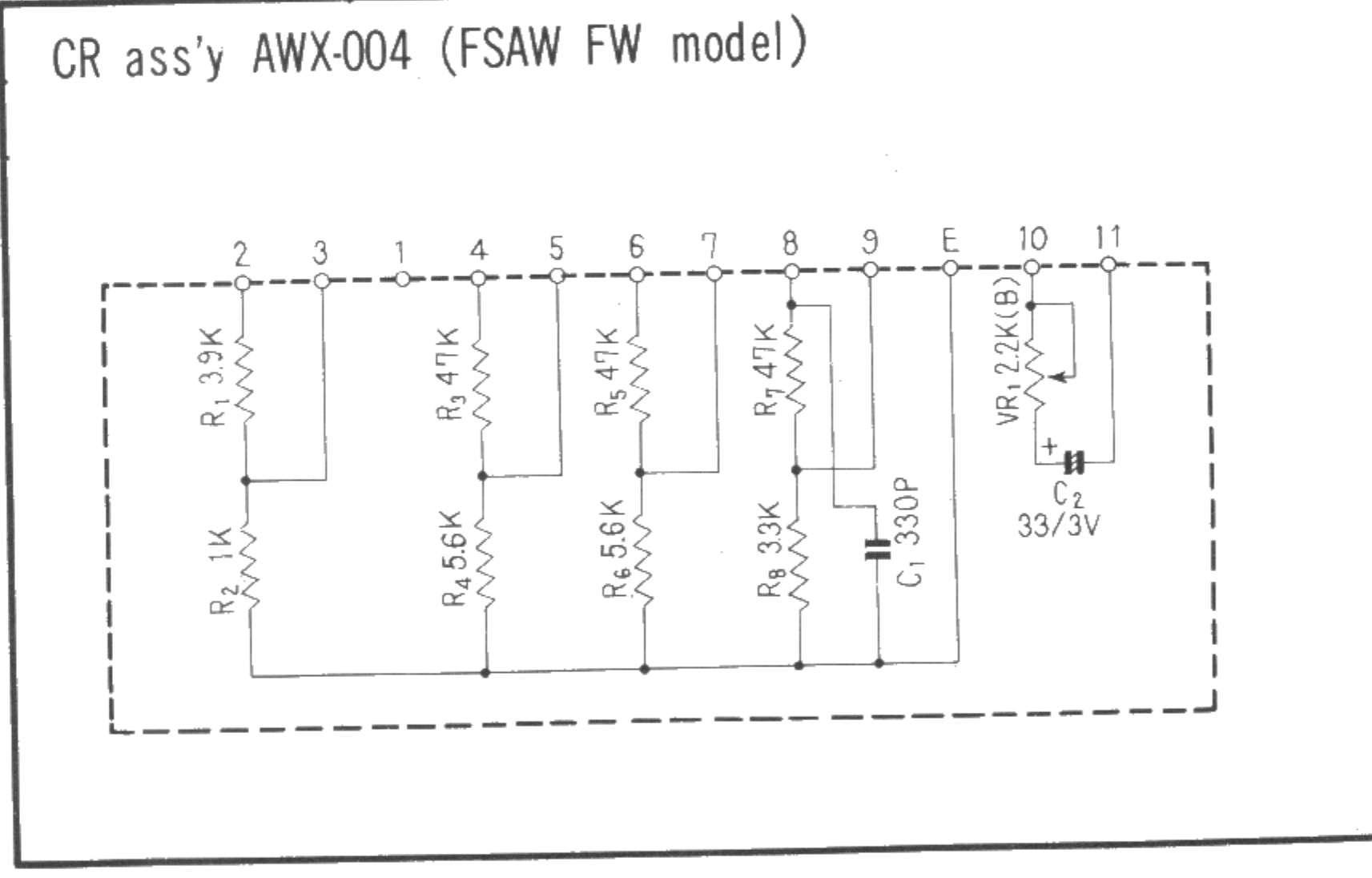
Tuner ass'y AWE-012



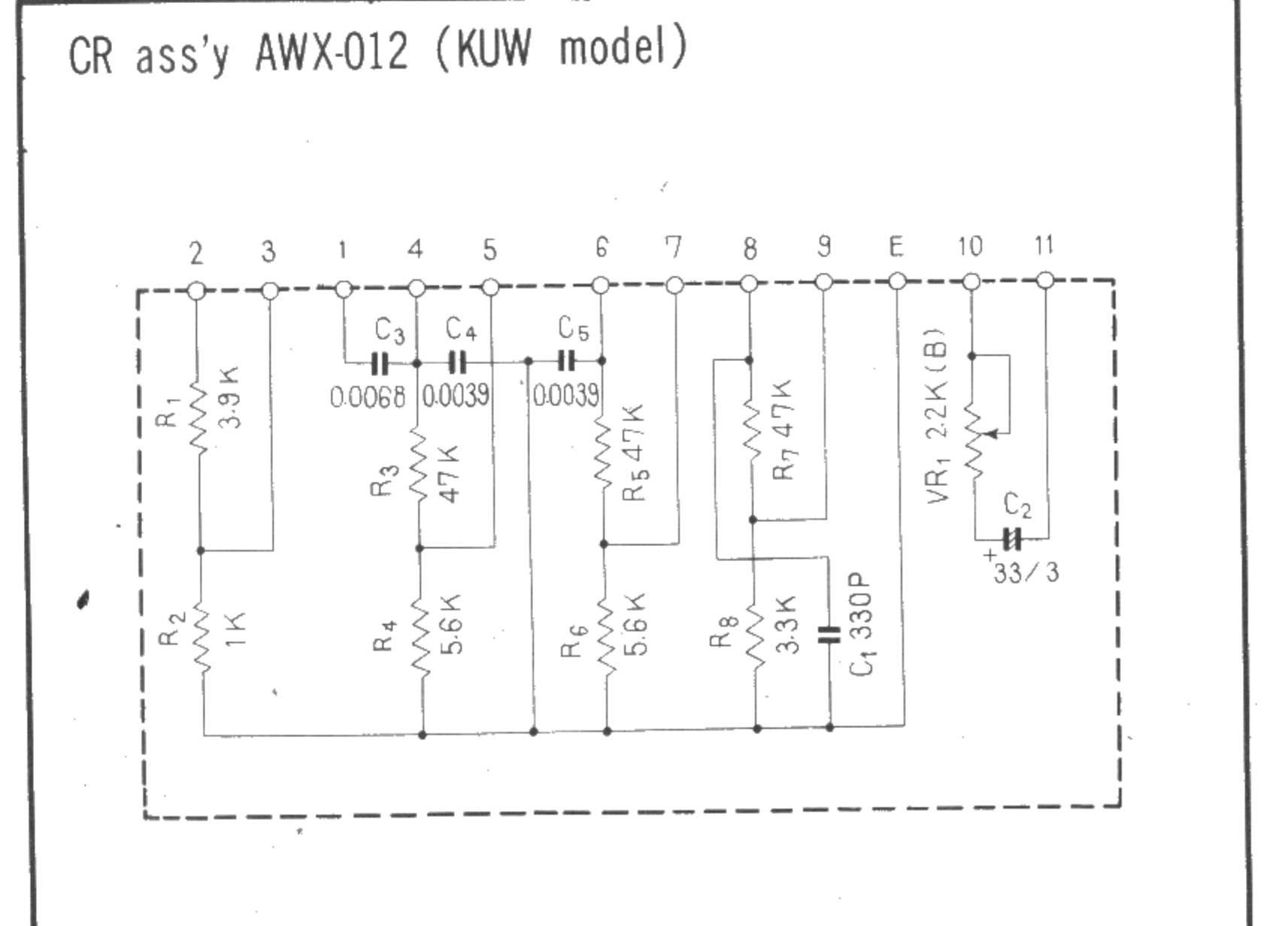
Decoder ass'y AWM-031



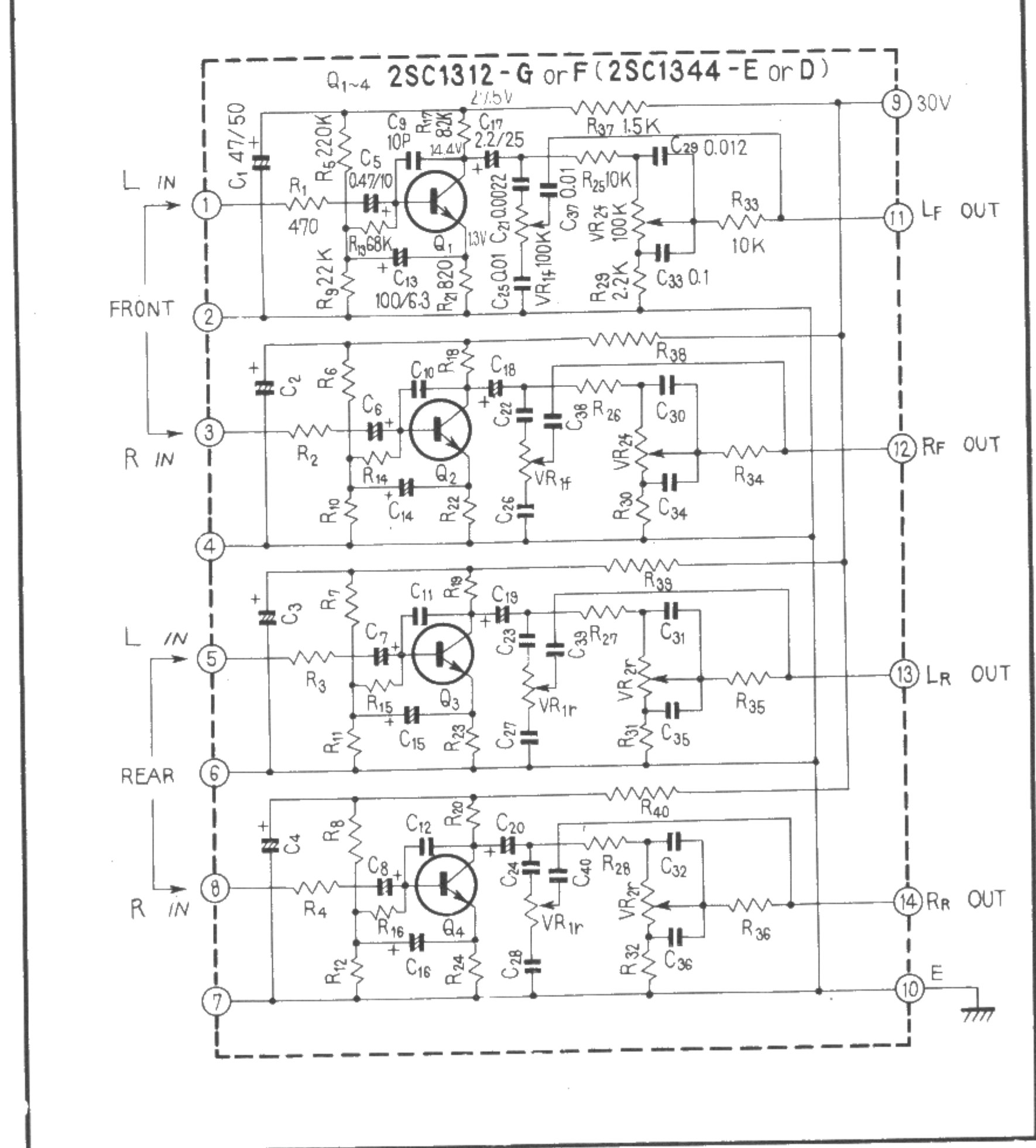
FSAW, FW model



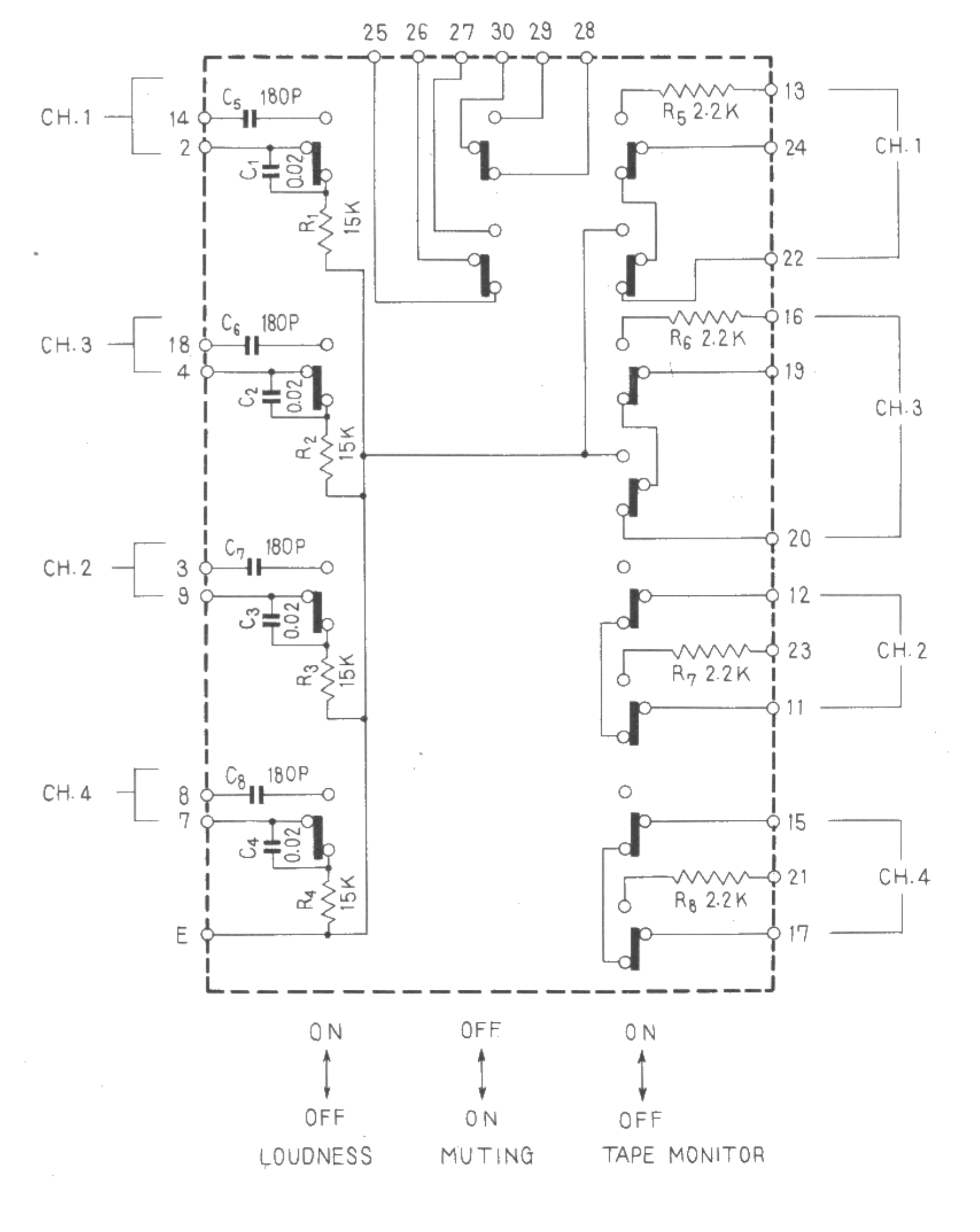
KU model



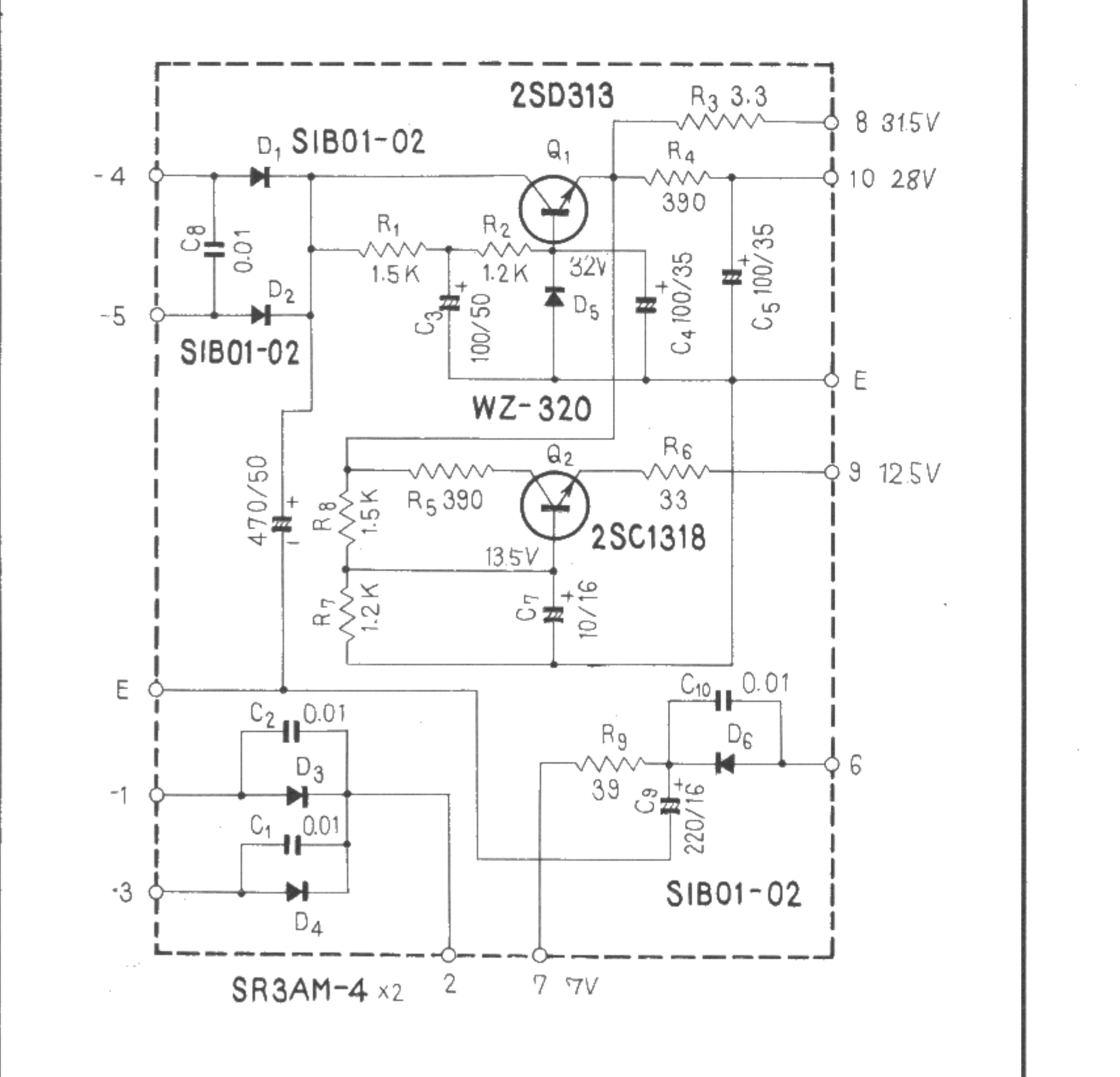
Control amp ass'y AWG-015

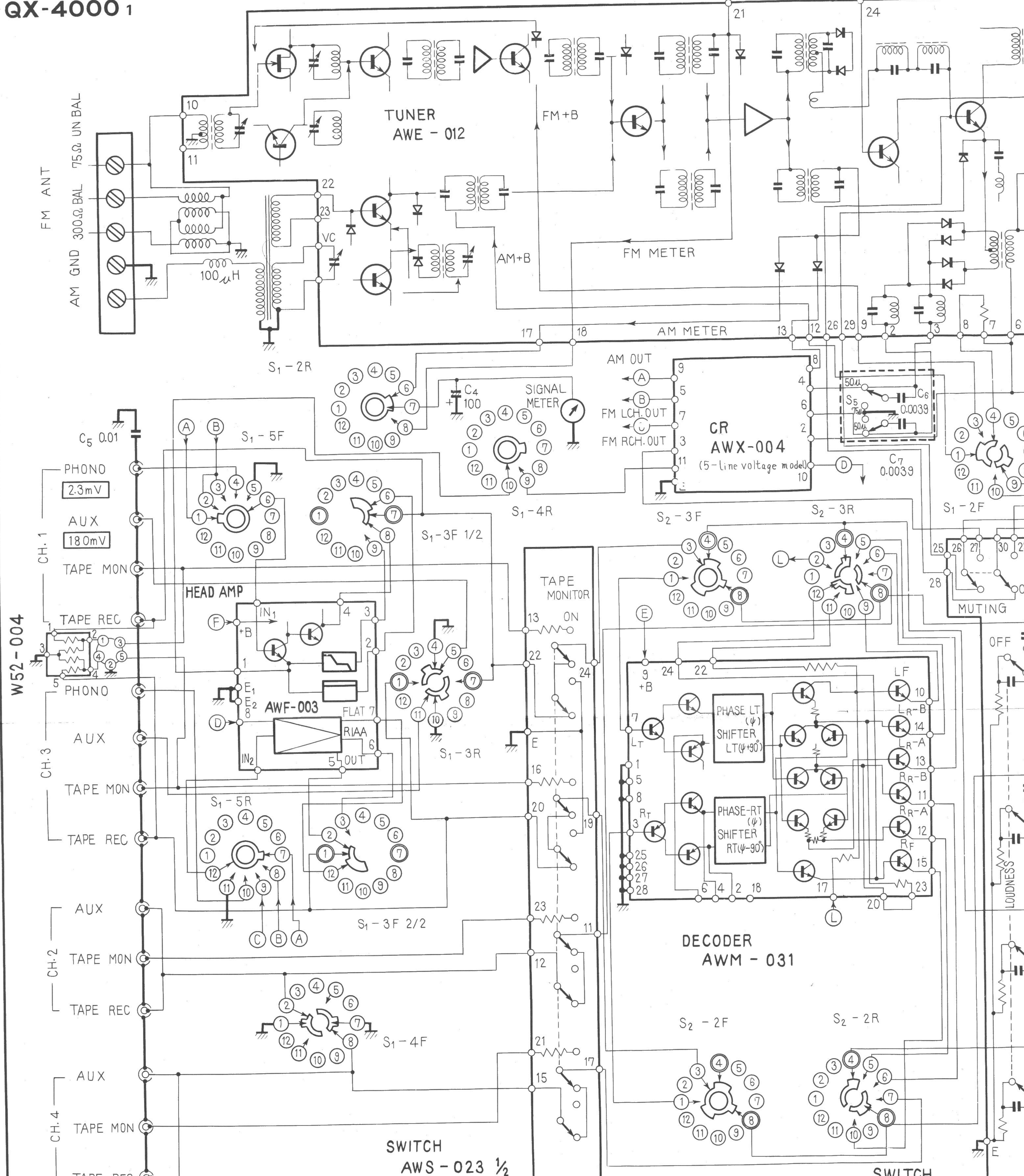


Switch ass'y AWS-023



Power supply ass'y AWR-021





W52-004

- S1, INPUT SELECTOR**
1. AM
 2. FM MONO
 3. FM AUTO
 4. PHONO
 5. AUX

- S2, MODE SELECTOR**
1. 2CH STEREO
 2. MATRIX REGULAR
 3. MATRIX SQ
 4. DISCRETE

- S3, POWER OFF ↔ ON**

- S4, LINE VOLTAGE SELECTOR**

- S5, DE-EMPHASIS SWITCH**
50μS ↔ 75μS

NOTES

⏏: SIGNAL VOLTAGE NECESSARY

↔V: DC VOLTAGE AT NO INPUT

A: DC CURRENT AT NO INPUT

V: DC VOLTAGE AT 15W/8Ω 0

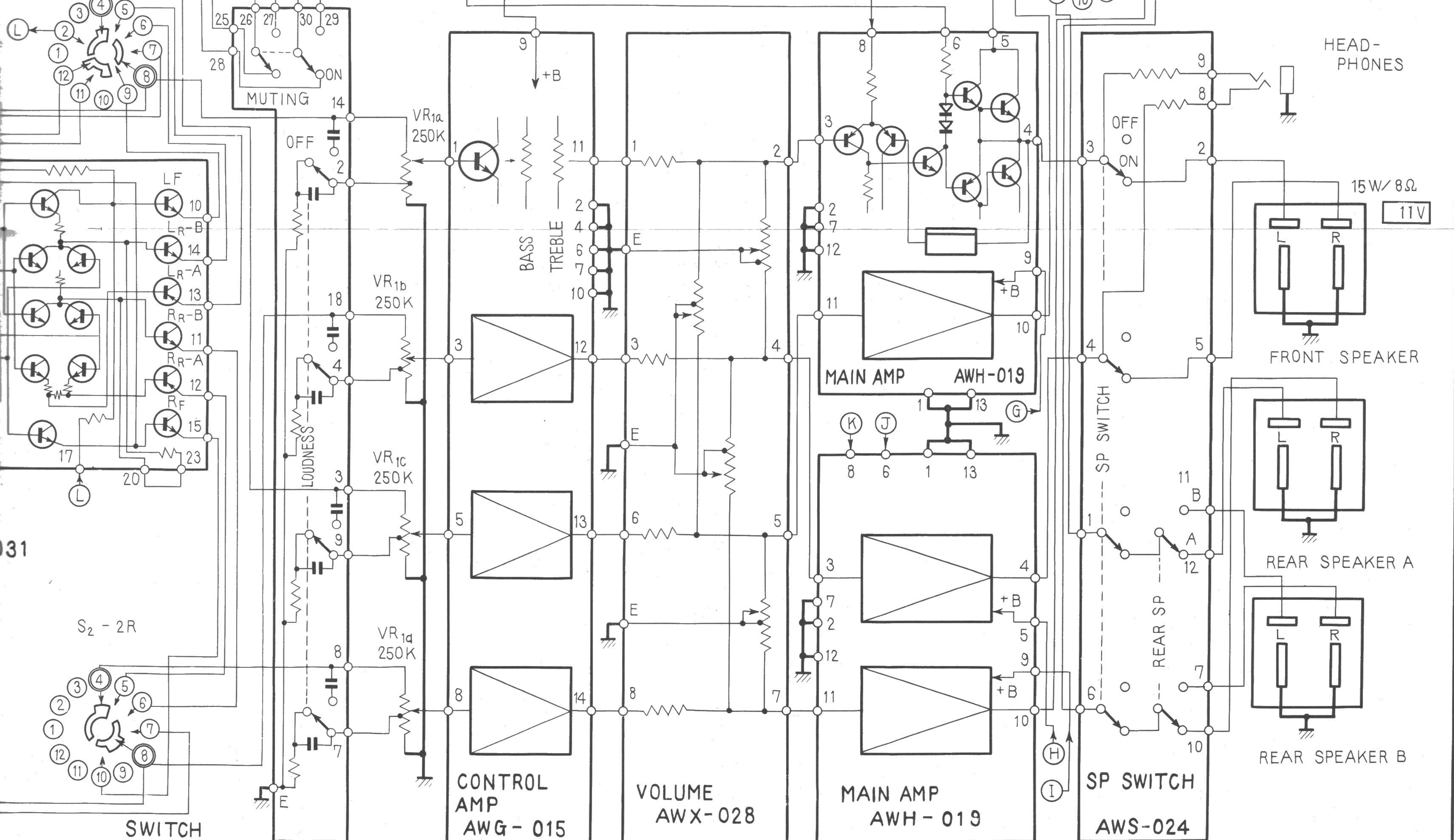
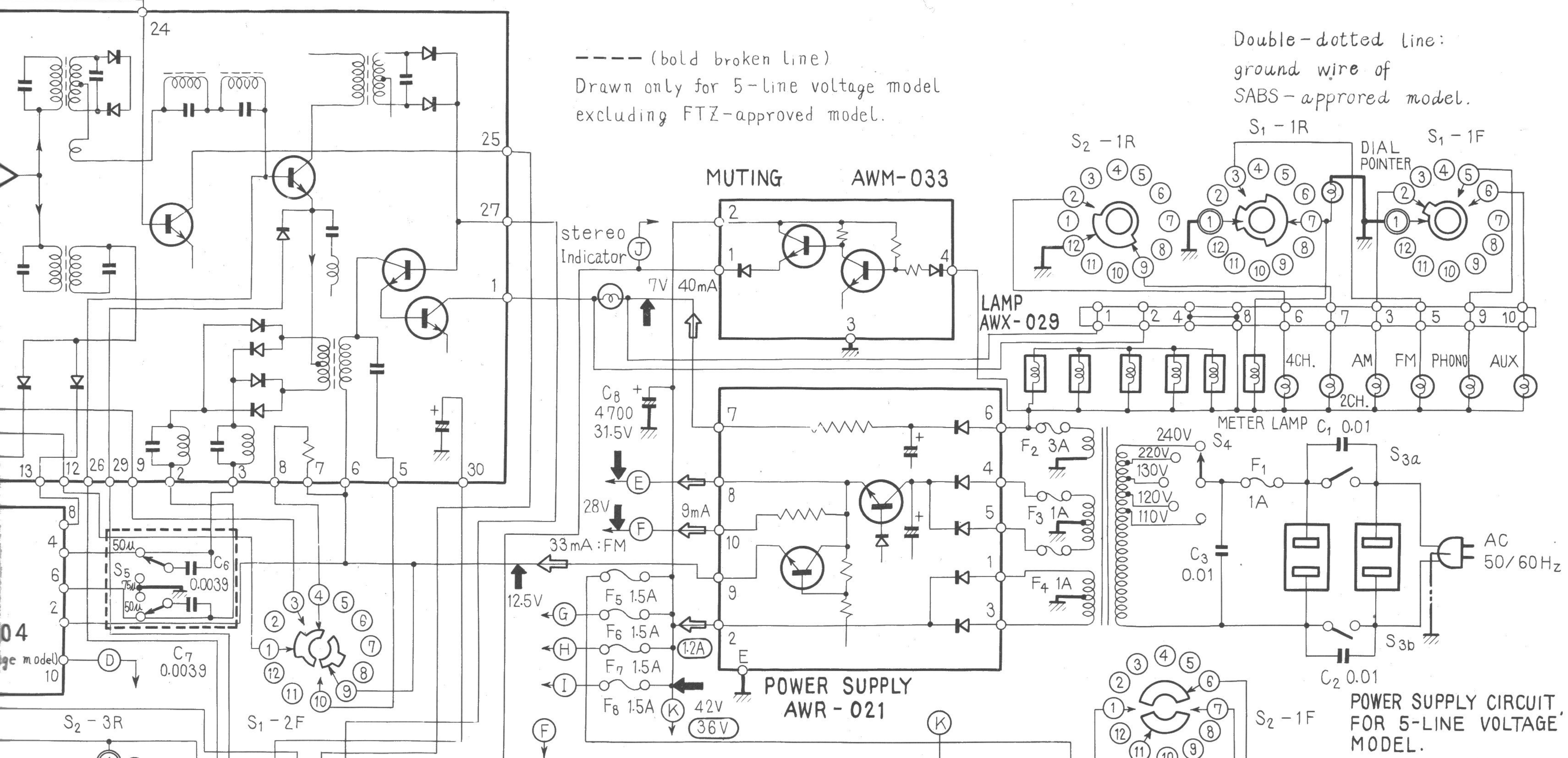
A: DC CURRENT AT 15W/8Ω 0

RESISTORS
IN OHM, 1/4W, ±5% TOLERANCE

K: KΩ, M: MΩ.

CAPACITORS
IN μF UNLESS OTHERWISE

P: pF.



NOTES
 [V]: SIGNAL VOLTAGE NECESSARY FOR OBTAINING 15W/8Ω OUTPUT POWER (1KHz)
 [←V]: DC VOLTAGE AT NO INPUT SIGNAL.
 [A]: DC CURRENT AT NO INPUT SIGNAL.
 [V]: DC VOLTAGE AT 15W/8Ω OUTPUT POWER.
 [A]: DC CURRENT AT 15W/8Ω OUTPUT POWER.

RESISTORS
 IN OHM, 1/4W, ±5% TOLERANCE UNLESS OTHERWISE NOTED.
 K: KΩ, M: MΩ.

CAPACITORS
 IN μF UNLESS OTHERWISE NOTED.
 P: pF.

