

# SERVICE MANUAL

## ADDITIONAL INFORMATION ON MODEL QX-9900

SUBJECT: Modification of SPEAKER SWITCH UNIT A & B of QX-9900

Owing to modification for improvement, old unit A [AWS-026] and B [AWS-027] will be replaced by new unit A [AWS-041] and B [AWS-042] starting at the respective Serial Number as follows:

FW model                      1206701

NOTICE: [1] Please alter the parts number of Speaker Switch Unit A, AWS-026 and B, AWS-027 to A, AWS-041 and B, AWS-042 respectively on the following pages.

Page 12 BLOCK DIAGRAM

Page 26 SCHEMATIC DIAGRAM

Page 28 OTHERS of parts list

Page 35 PARTS LIST OF EXPLODED VIEW-2

Key No. 53

Page 36 PARTS LIST OF EXPLODED VIEW-2

Key No. 69

[2] Old unit and new one are mutually interchangeable in size.

But there is minor change of wiring.

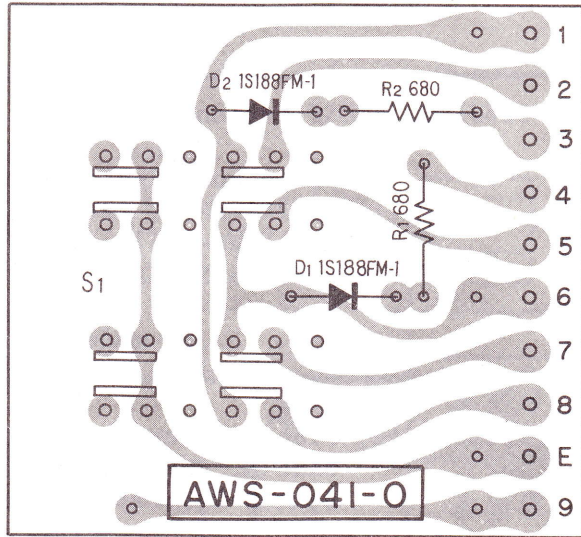
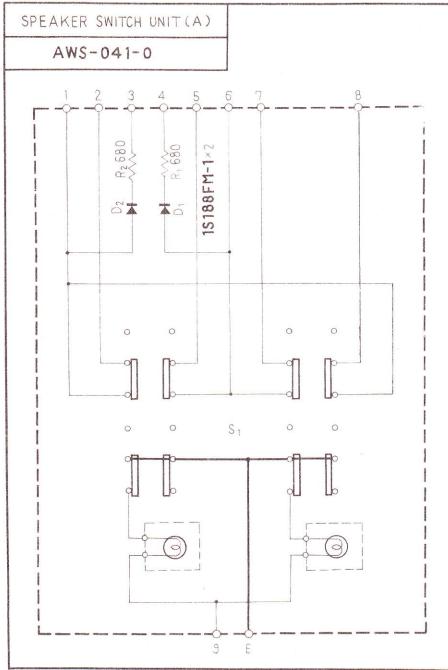
Accordingly, please refer carefully to schematic diagrams on the last page.

[3] Use the new parts number for the parts order.

[4] You are requested to make use of additional information together with the furnished service manual.

# PIONEER®

# SPEAKER SWITCH UNIT A (AWS-041)



## PARTS LIST OF SPEAKER SWITCH UNIT A

### SEMICONDUCTORS

Symbol	Description	Part No.
D1	1S188 FM-1 Diode	
D2	1S188 FM-1 Diode	

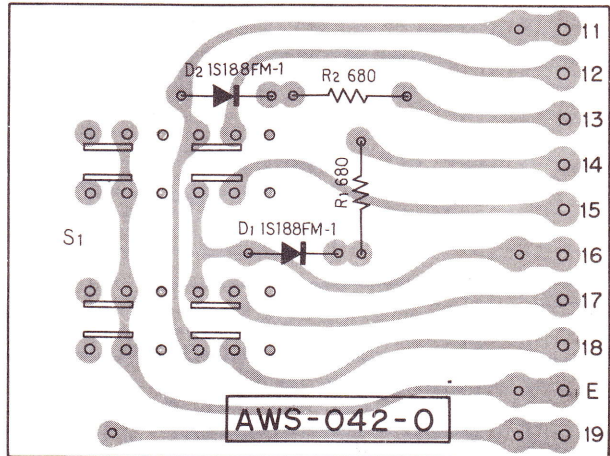
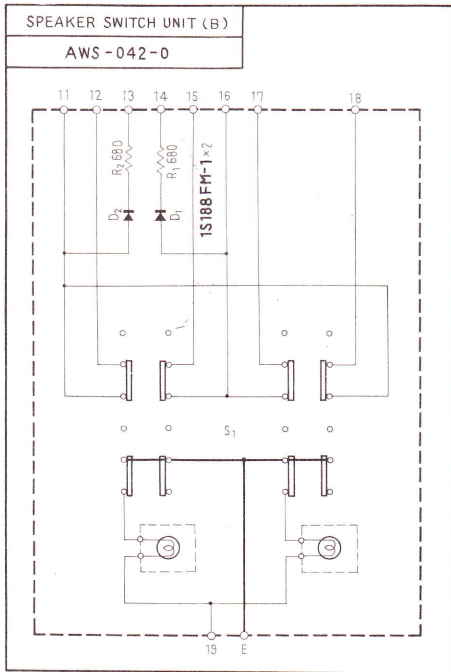
### RESISTORS

Symbol	Description	Part No.
R1	Carbon film 680	RD1/4PS 681J
R2	Carbon film 680	RD1/4PS 681J

### SWITCH

Symbol	Description	Part No.
S1	Mini-switch	ASG-031-B

# SPEAKER SWITCH UNIT B (AWS-042)



## PARTS LIST OF SPEAKER SWITCH UNIT B

### SEMICONDUCTORS

Symbol	Description	Part No.	
D1	1S188 FM-1 Diode		
D2	1S188 FM-1 Diode		

### RESISTORS

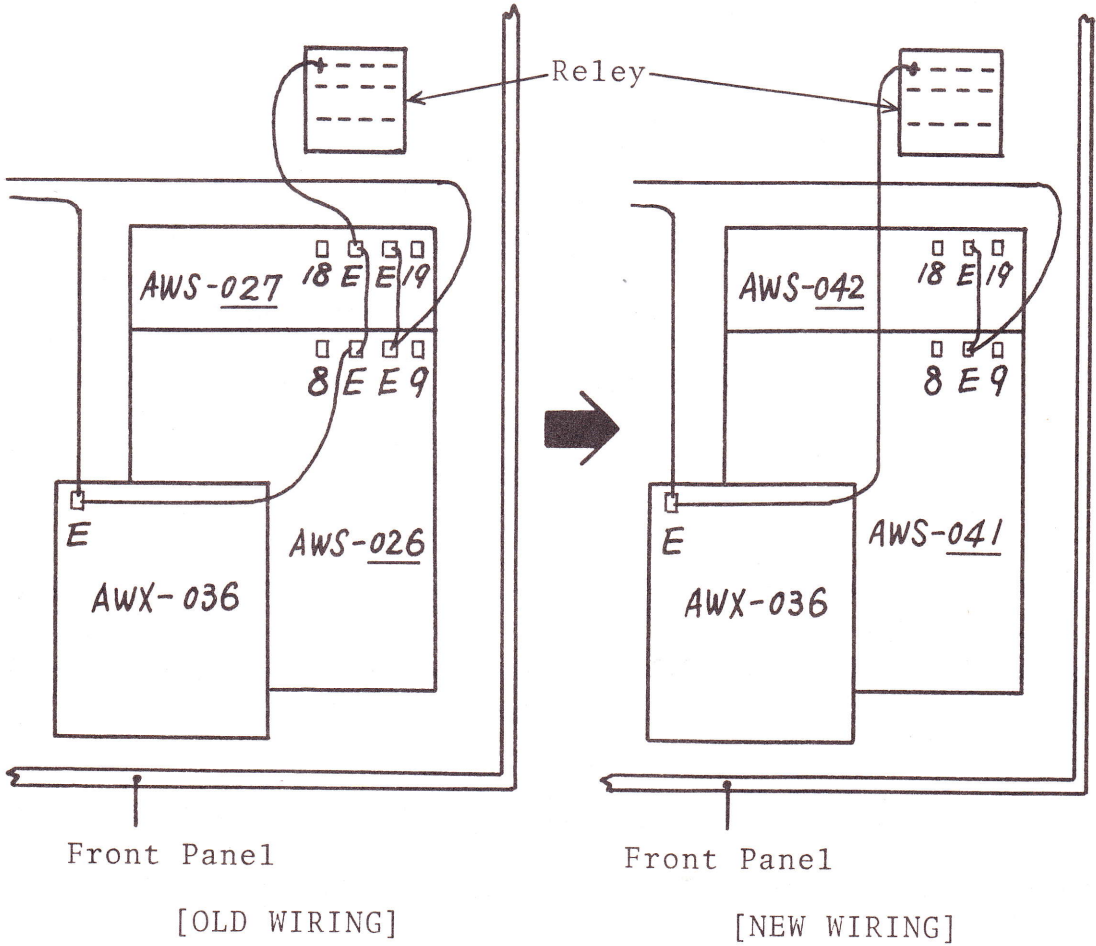
Symbol	Description	Part No.	
R1	Carbon film 680	RD1/4PS 681J	
R2	Carbon film 680	RD1/4PS 681J	

### SWITCH

Symbol	Description	Part No.	
S1	Mini-switch	ASG-031-B	

SCHEMATIC DIAGRAM

[BOTTOM VIEW]



**PIONEER ELECTRONIC CORPORATION**  
 15-5, 4-Chome, Ohmori-nishi, Ohra-ku, Tokyo, Japan  
**U.S. PIONEER ELECTRONICS CORPORATION**  
 178 Commerce Road, Carlstadt, New Jersey 07072 U.S.A.  
**PIONEER ELECTRONIC (EUROPE) N.V.**  
 Meir-center, Meir 21, 2000 Antwerp, Belgium