

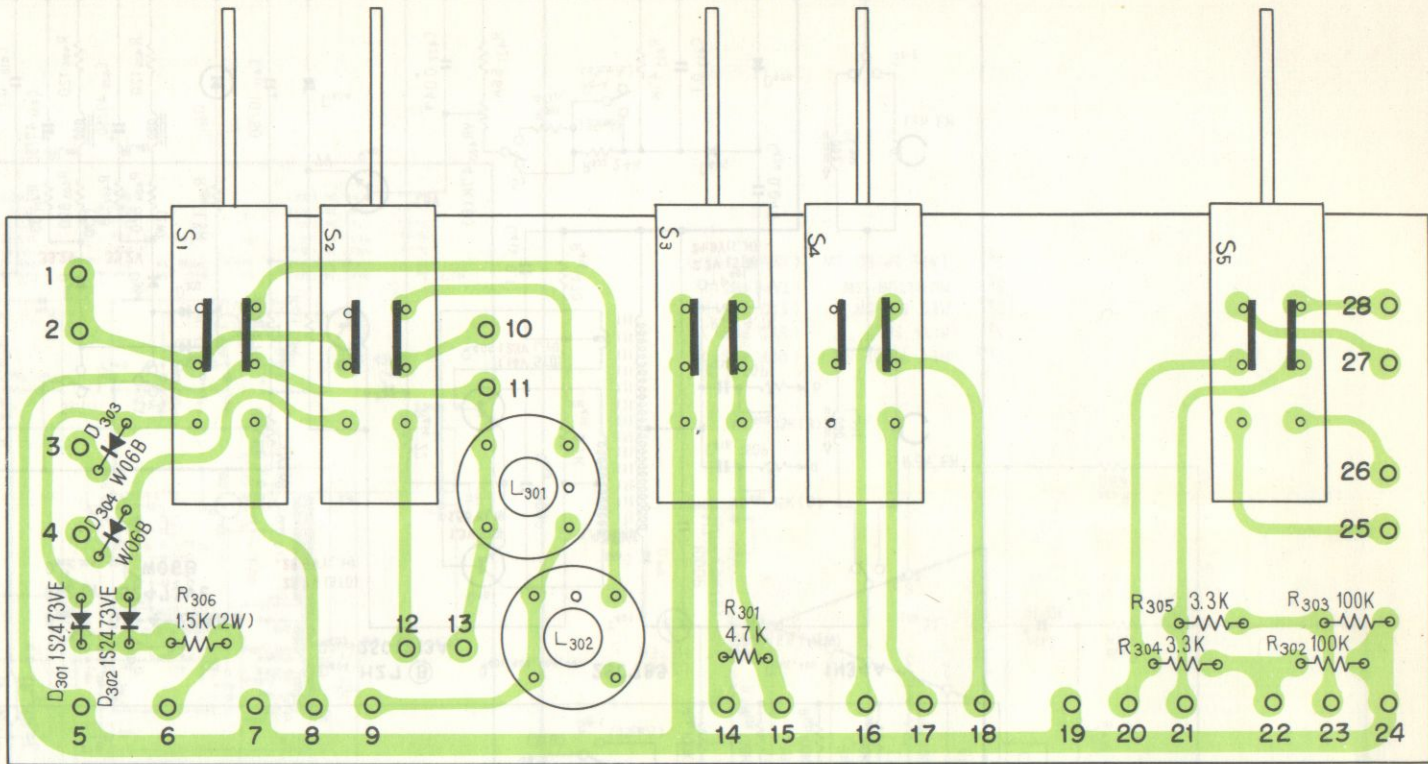


STEREO TAPE DECK

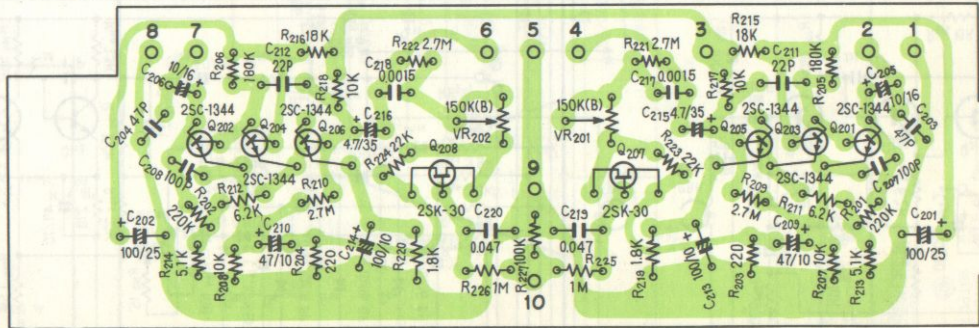
RT-1011L

FU KU

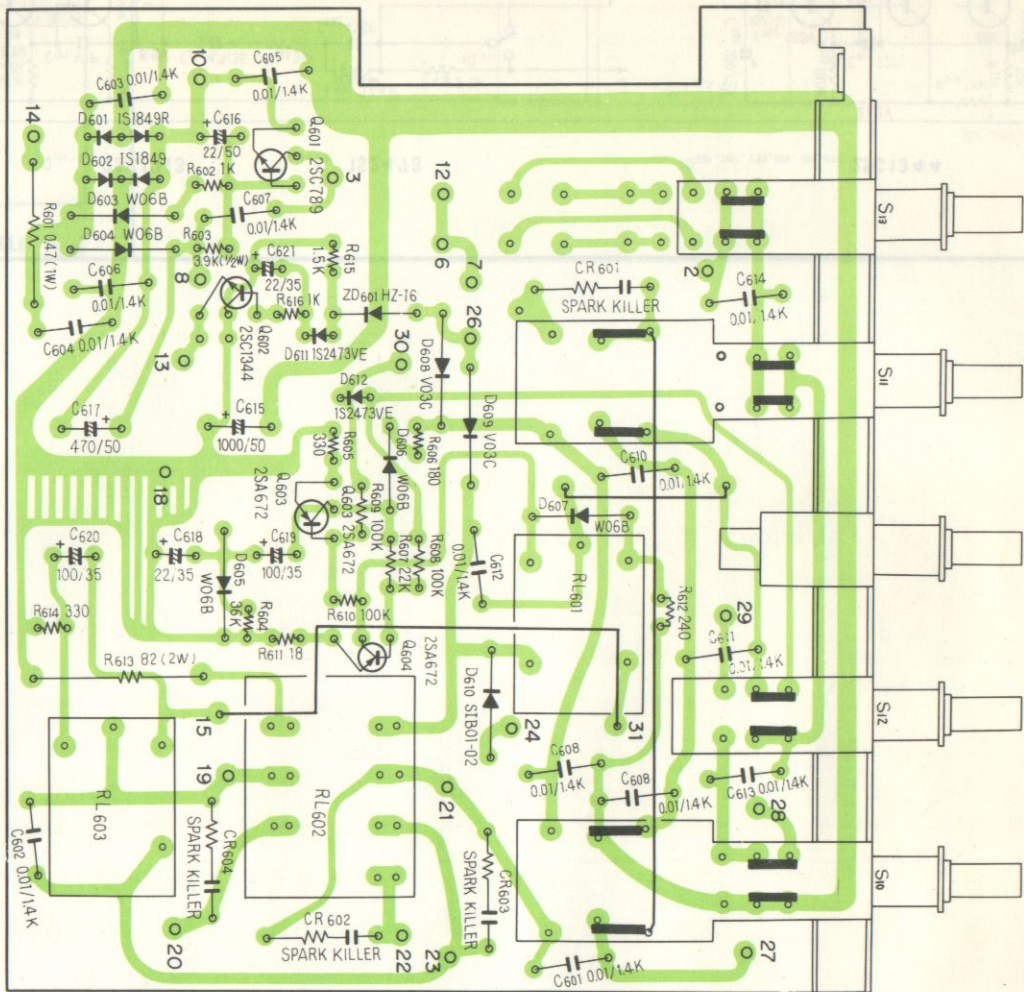
Switch circuit ass'y RWS-024



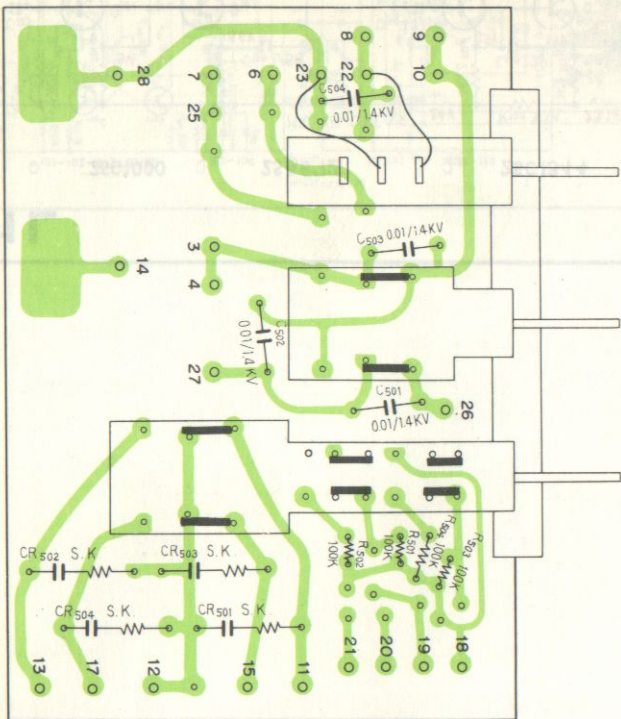
PB amp ass'y RWF-028

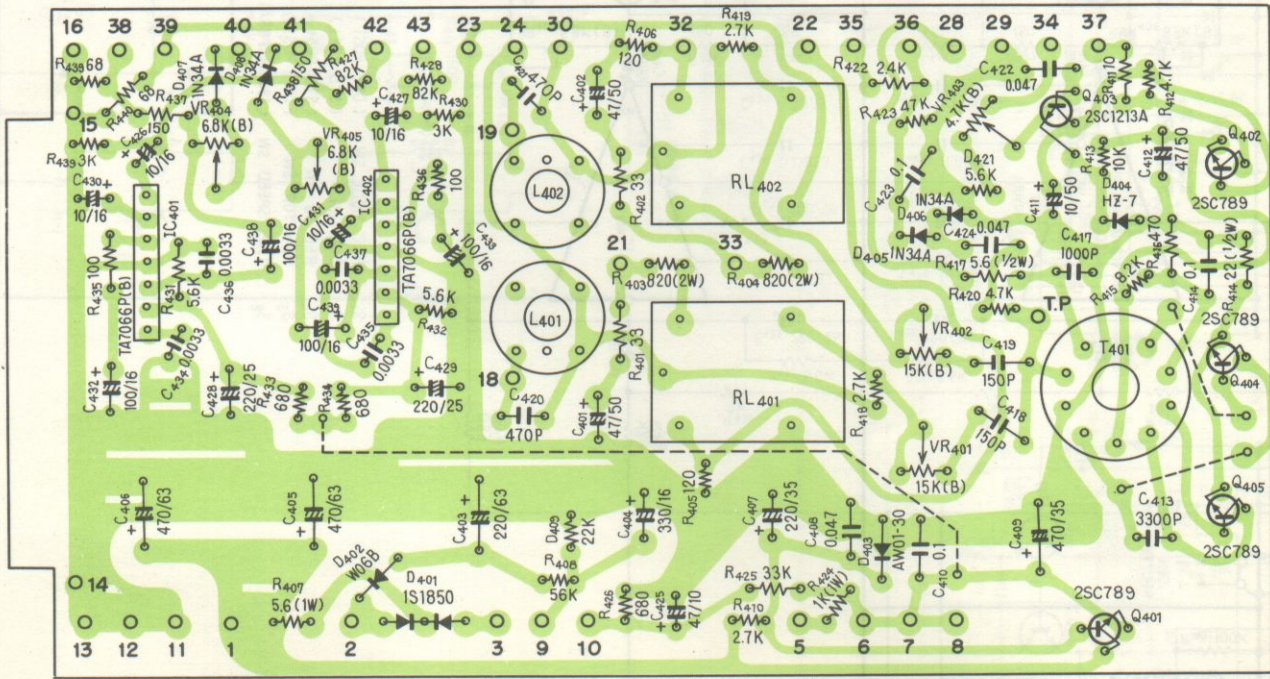


Control amp ass'y RWG-047 (KU model)

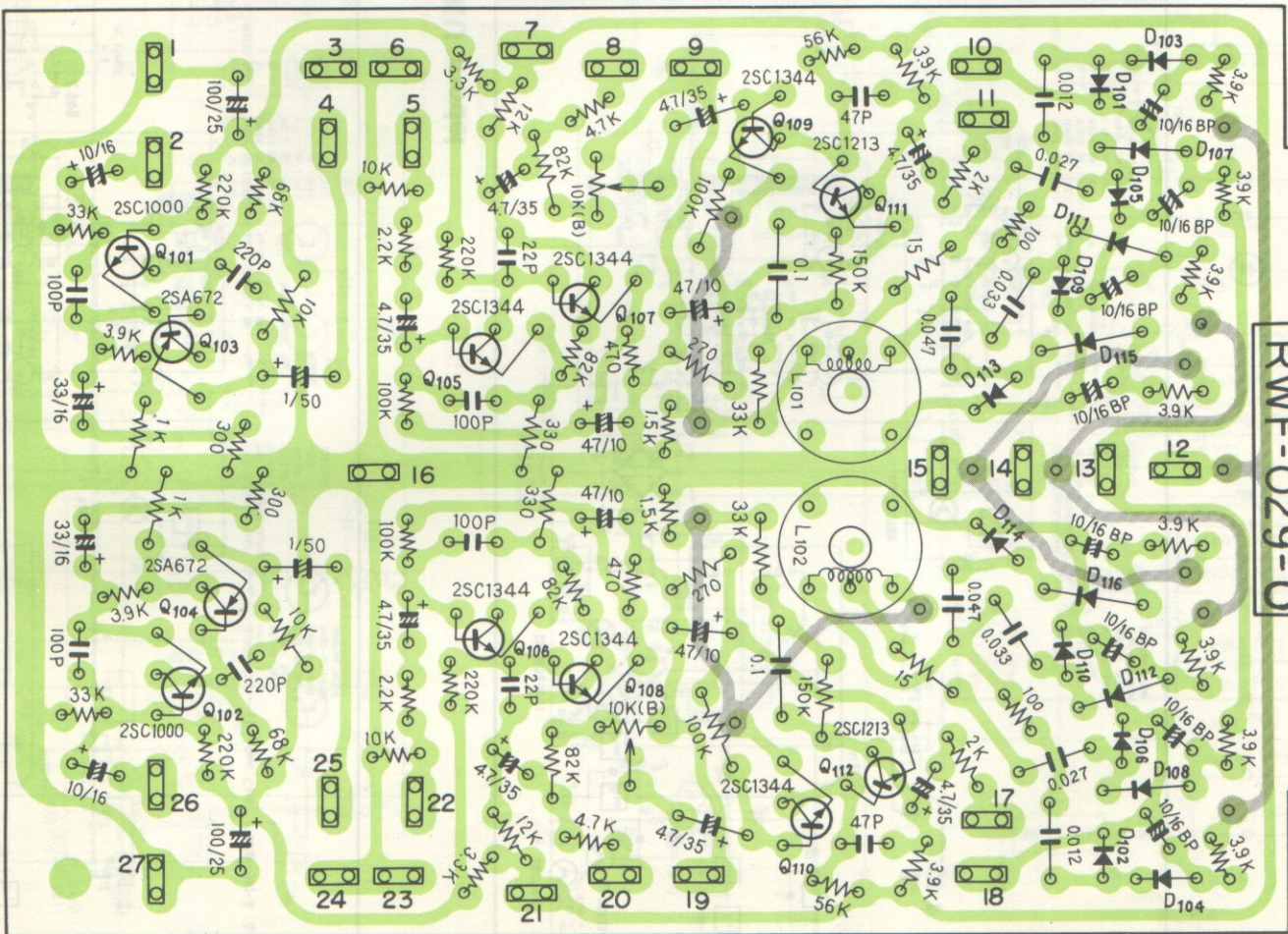


EQ switch ass'y RWS-026 (KU model)





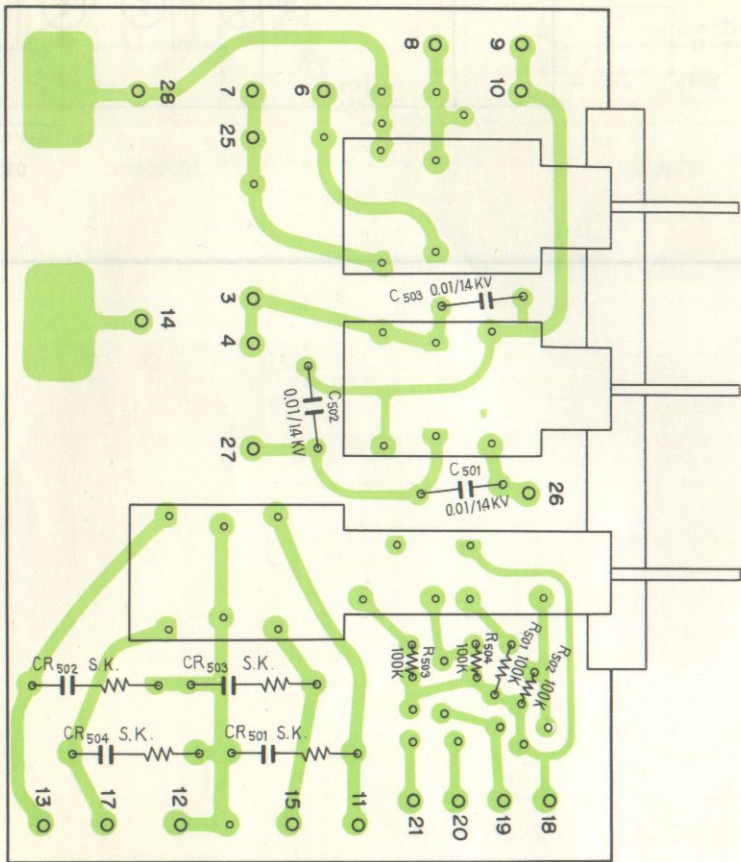
RWF-029-0



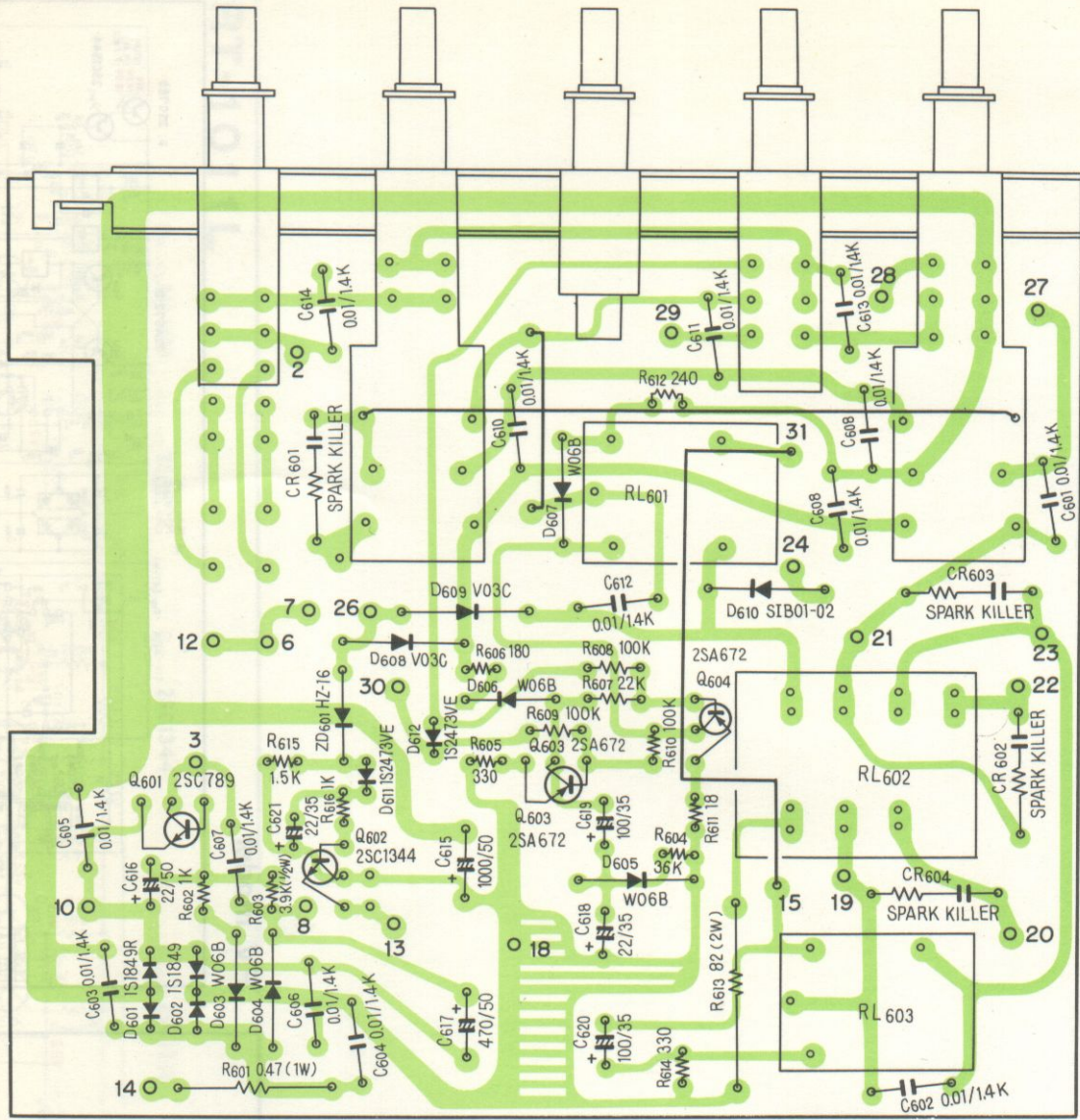
DIODES : IS2473VE

10/16 BP : BI-POLAR CAPACITOR

EQ switch ass'y RWS-027 (FV model)

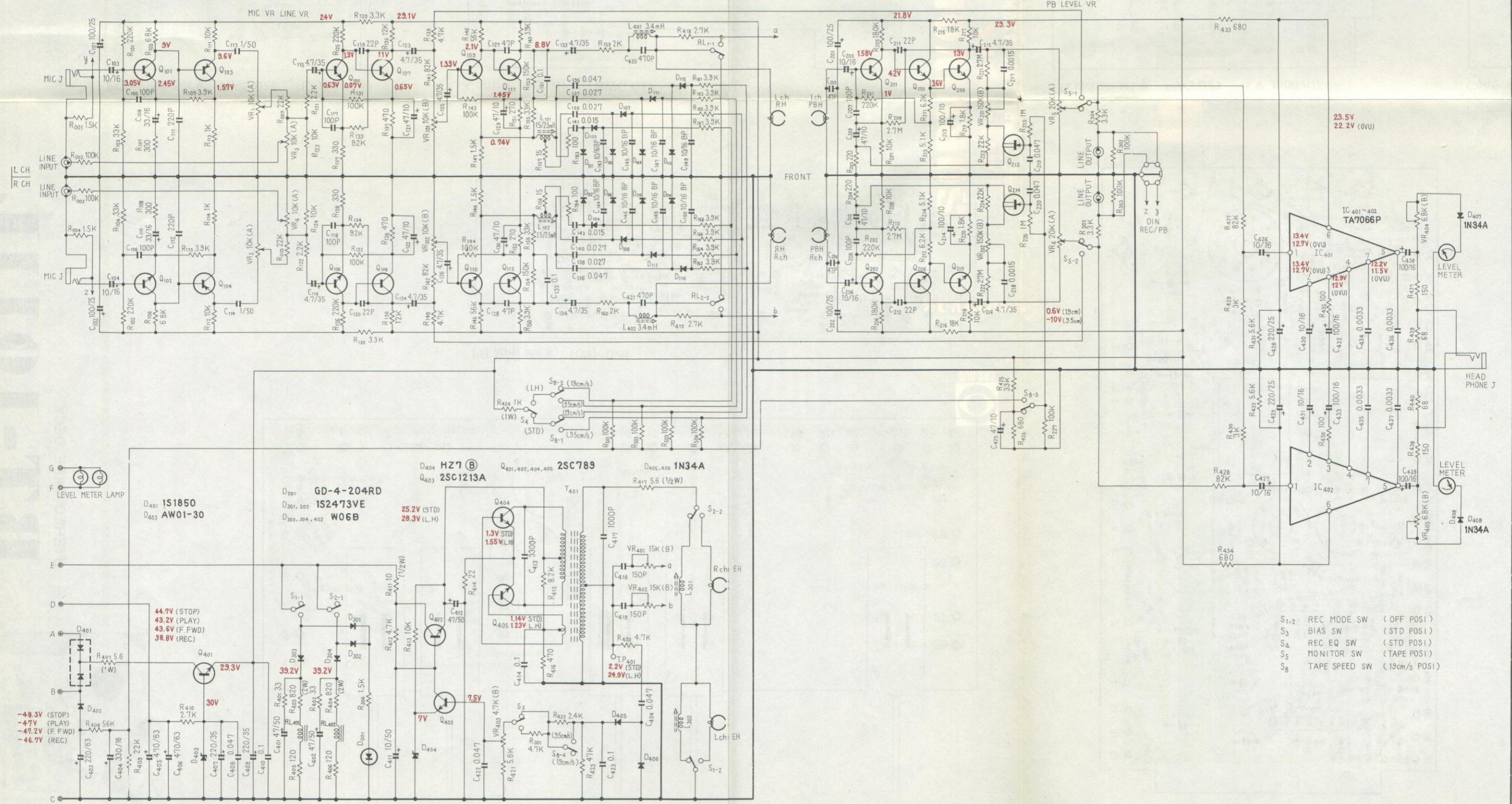


Control amp ass'y RWG-046 (FV model)



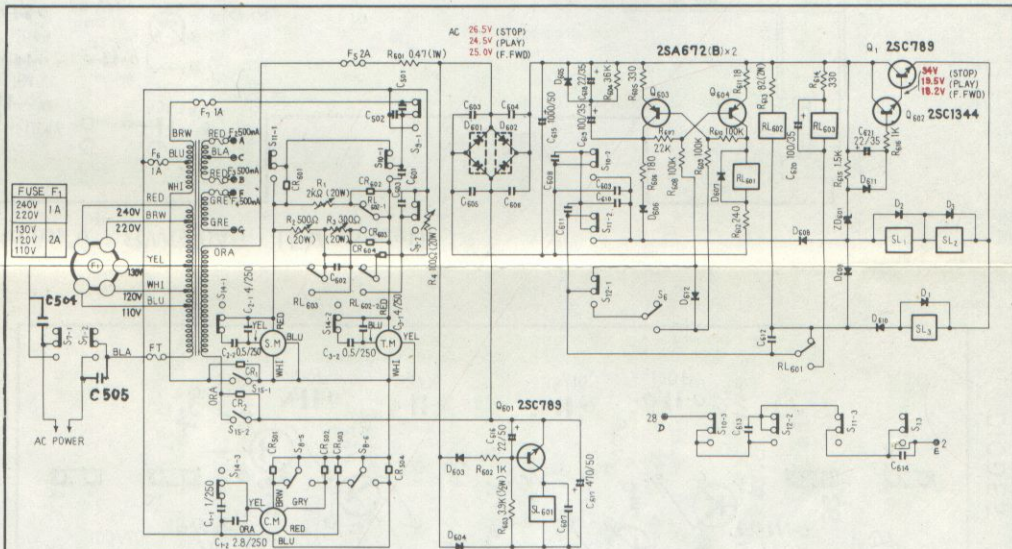
RT-1011L

Q₁₀₁₋₁₀₂ 2SC1000 Q₁₀₃₋₁₀₄ 2SA672 Q₁₀₅₋₁₁₀ 2SC1344 Q₁₁₁₋₁₁₂ 2SC1213 D₁₀₁₋₁₁₆ 1S2473 Q_{201, 202, 205, 206, 209, 210} 2SC1344 Q₂₁₃₋₂₁₄ 2SK30



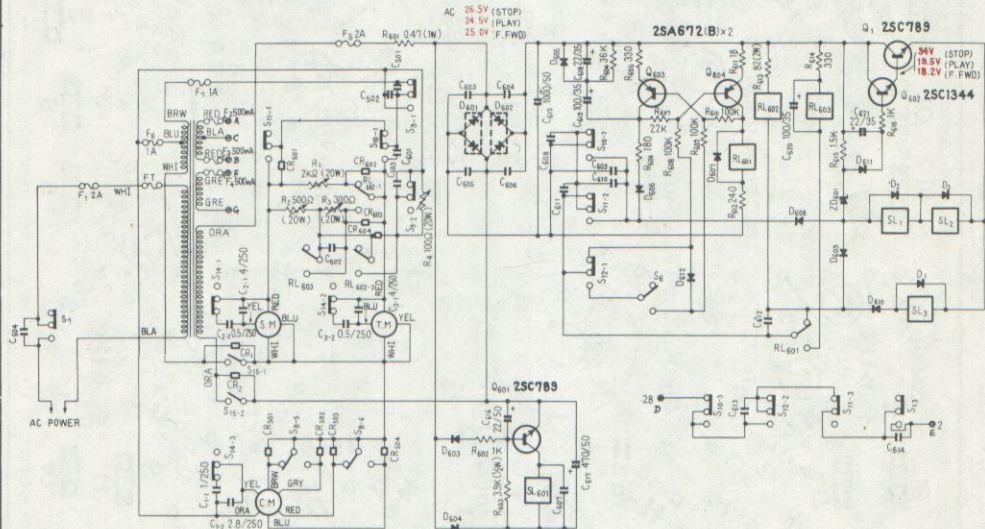
- S_{1,2} REC MODE SW (OFF POSI)
- S₃ BIAS SW (STD POSI)
- S₄ REC EQ SW (STD POSI)
- S₅ MONITOR SW (TAPE POSI)
- S₆ TAPE SPEED SW (19cm/s POSI)

FV model



NOTE	S ₆ PAUSE SW (OFF)	S ₁₃ REC SW	C ₆₀₁ ~ C ₆₀₄	C43-003 (0.0μF/14KV)	D ₆₁₁ , D ₆₁₂ IS2473VE	C ₆₀₄ , C ₆₀₅ ACG-001-0 0.0/μF
	S ₇ POWER SW (OFF)	S ₁₄₋₁₊₃ FREQ SW	CR 1+2, C ₆₁ ~ C ₆₄	RWX-030 (SPARK KILLER)	ZD ₆₀₁ HZ-16	
	S ₈₋₉₊₅ SPEED SW (10cm/s)		D ₆₀₁ IS1849R	IS1849R	SL ₁₋₂ BRAKE Sol	
	S ₉₋₁₊₂ REEL SW (H)	FT THERMO-FUSE	D ₆₀₂ IS1849	IS1849	SL ₃ PINCH Sol	
	S ₁₀₋₁₊₃ FF SW (OFF)		D ₁₋₃ , D ₆₀₃ ~ D ₆₀₇ W06B	W06B	SL ₆₀₁ RELEASE Sol	
	S ₁₁₋₁₊₃ REW SW (OFF)		D ₆₀₈ ~ D ₆₀₉ V03C	V03C	S.M SUPPLY MOTOR	
	S ₁₂₋₁₊₂ PLAY SW (OFF)		D ₆₁₀ S1B0102	S1B0102	T.M TAKE-UP MOTOR	
					C.M CAPSTAN MOTOR	

KU model



NOTE	S ₆	PAUSE SW (OFF)	S ₁₃	REC SW	C ₅₀₁₋₅₀₄	C43-003 (10.0μF/14kV)	D ₆₀₁₋₆₀₂	IS2473VE
	S ₇	POWER SW (OFF)	S ₁₄₋₁₋₃	FREQ SW	CR ₁₋₃ .601-.604	RWX-030 (SPARK KILLER)	ZD ₆₀₁	H2-16
	S ₉₋₆₋₆	SPEED SW (15cm/s)			D ₆₀₁	151849R	SL ₁₋₂	BRAKE Sol
	S ₉₋₁₋₂	REEL SW (H)	FT	THERMO-FUSE	D ₆₀₂	151849	SL ₃	PINCH Sol
	S ₁₀₋₁₋₃	F.F. SW (OFF)			D ₁₋₃ .603-.607	W06B	SL ₆₀₁	RELEASE Sol
	S ₁₁₋₁₋₃	REW SW (OFF)			D ₆₀₈₋₆₀₅	V03C	S.M	SUPPLY MOTOR
	S ₁₂₋₁₋₂	PLAY SW (OFF)			D ₆₁₀	SLB0102	T.M	TAKE-UP MOTOR
							C.M	CAPSTAN MOTOR