

3-MOTOR 3-HEAD TAPE DECK

RT-701

3-MOTOR 4-HEAD TAPE DECK

RT-707

<ART-254-0>

Additional

Service Manual

NOTE:

- This supplementary service manual includes only those sections relating to changes made in the improved models. All other section unaffected by the improvements are to be found in the original service manuals RT-701 <ART-231-0> and RT-707 <ART-232-0>.
- All improved models are marked by a "▲" sign in model name and number plate. The packaging reference number also includes a "V"

Ref No.	V
---------	---

.
- The following table shows the serial numbers from which the improved models.

Model	Serial Number
RT-701/KU	3603301 ~
RT-701/KC	3400001 ~
RT-707/KU	3606301 ~
RT-707/KC	3400001 ~
RT-707/D	9301201 ~
RT-707/DG	9301001 ~
RT-707/HG	8400001 ~

 **PIONEER®**

CONTENTS

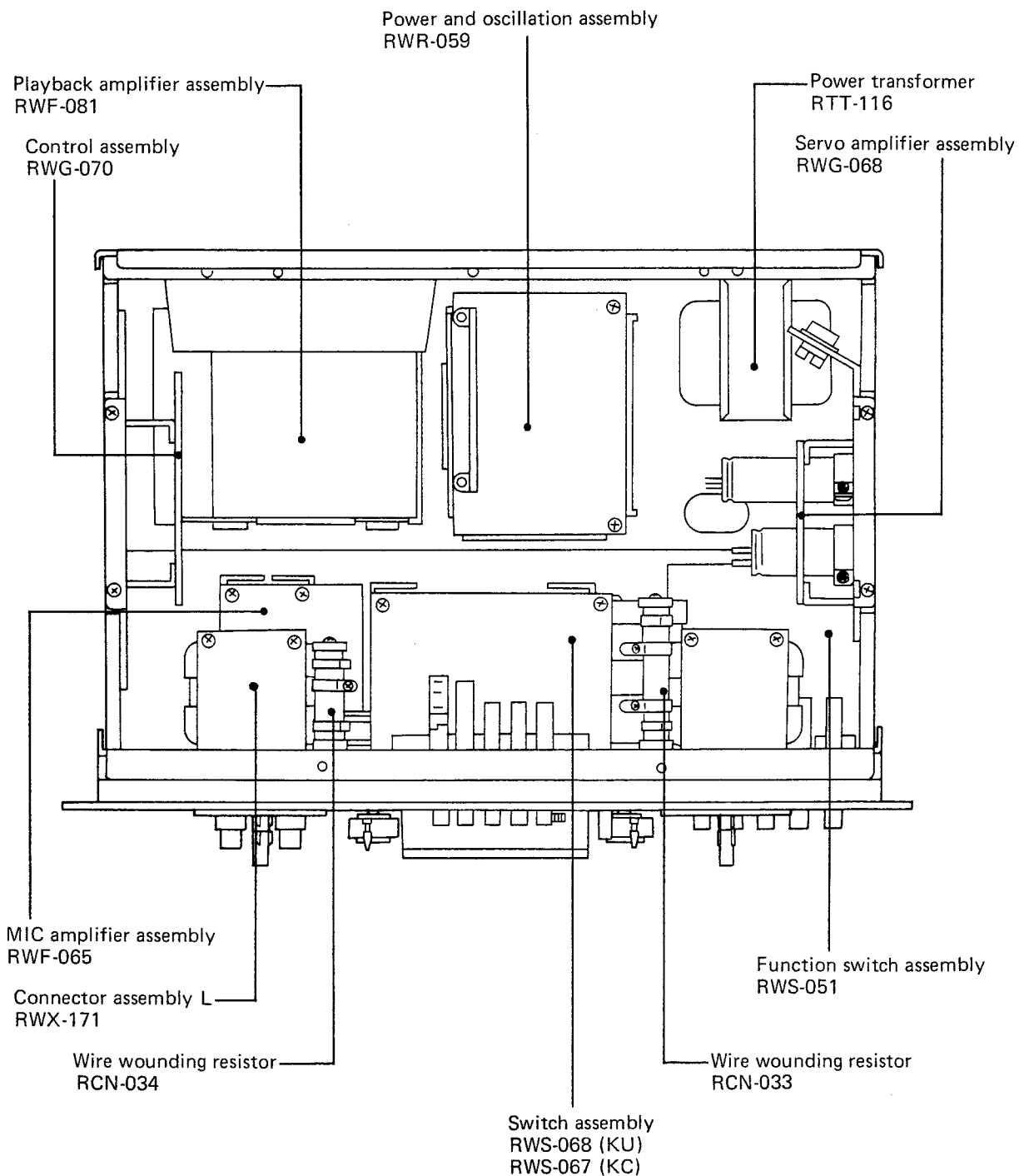
1.	PARTS LOCATION	3
2.	LEVEL DIAGRAM.....	4
3.	BLOCK DIAGRAM	5
4.	CIRCUIT DESCRIPTIONS.....	7
4.1	Control Circuit	7
4.2	Playback Amplifier	7
5.	EXPLODED VIEWS	9
6.	SCHEMATIC DIAGRAMS, P.C. BOARD PATTERNS AND PARTS LISTS	
6.1	Miscellaneous Parts List	25
6.2	External Appearance of Transistors and ICs	26
6.3	Connection Diagram	27
6.4	Schematic Diagram	29
6.5	Mic Amplifier Assembly (RWF-065)	31
6.6	Function Switch Assembly (RWS-051)	34
6.7	Power and Oscillation Assembly (RWR-059)	37
6.8	Fuse Assembly (RWX-170)	43
6.9	Playback Amplifier Assembly (RWF-081)	44
6.10	Connector Assembly L (RWX-171)	49
6.11	Connector Assembly R (RWX-172)	50
6.12	Control Assembly (RWG-070)	51
6.13	Switch Assembly (RWS-067 ... KC)	54
	(RWS-068 ... KU)	
6.14	Servo Amplifier Assembly (RWG-068)	57
6.15	Indicator Assembly (RWX-142)	64

NOTE:

- This leaflet also provides RT-707/KCU and RT-707/HG. See page 65 for RT-707/KCU and page 121 for RT-707/HG.

1. PARTS LOCATION

Top view with bonnet removed



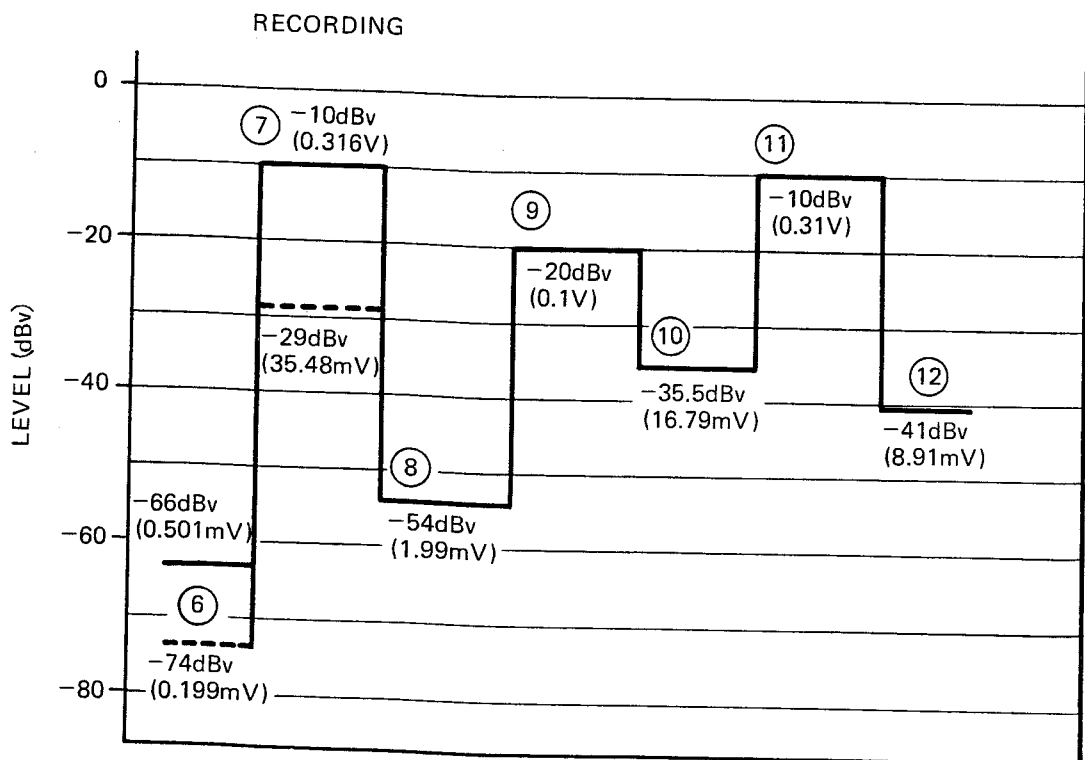
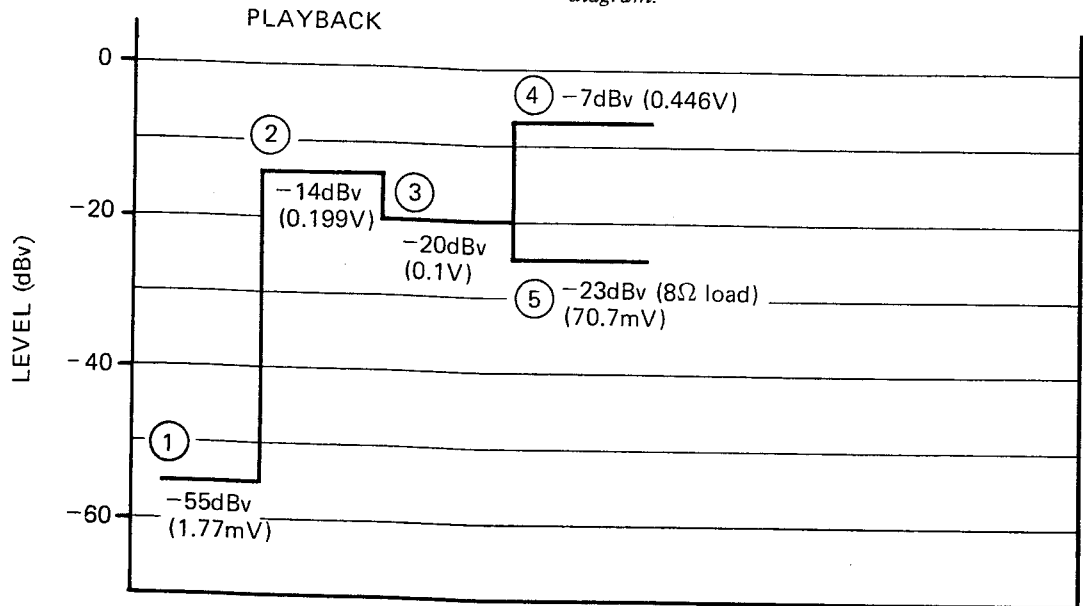
2. LEVEL DIAGRAM

NOTES:

0dBv = 1V

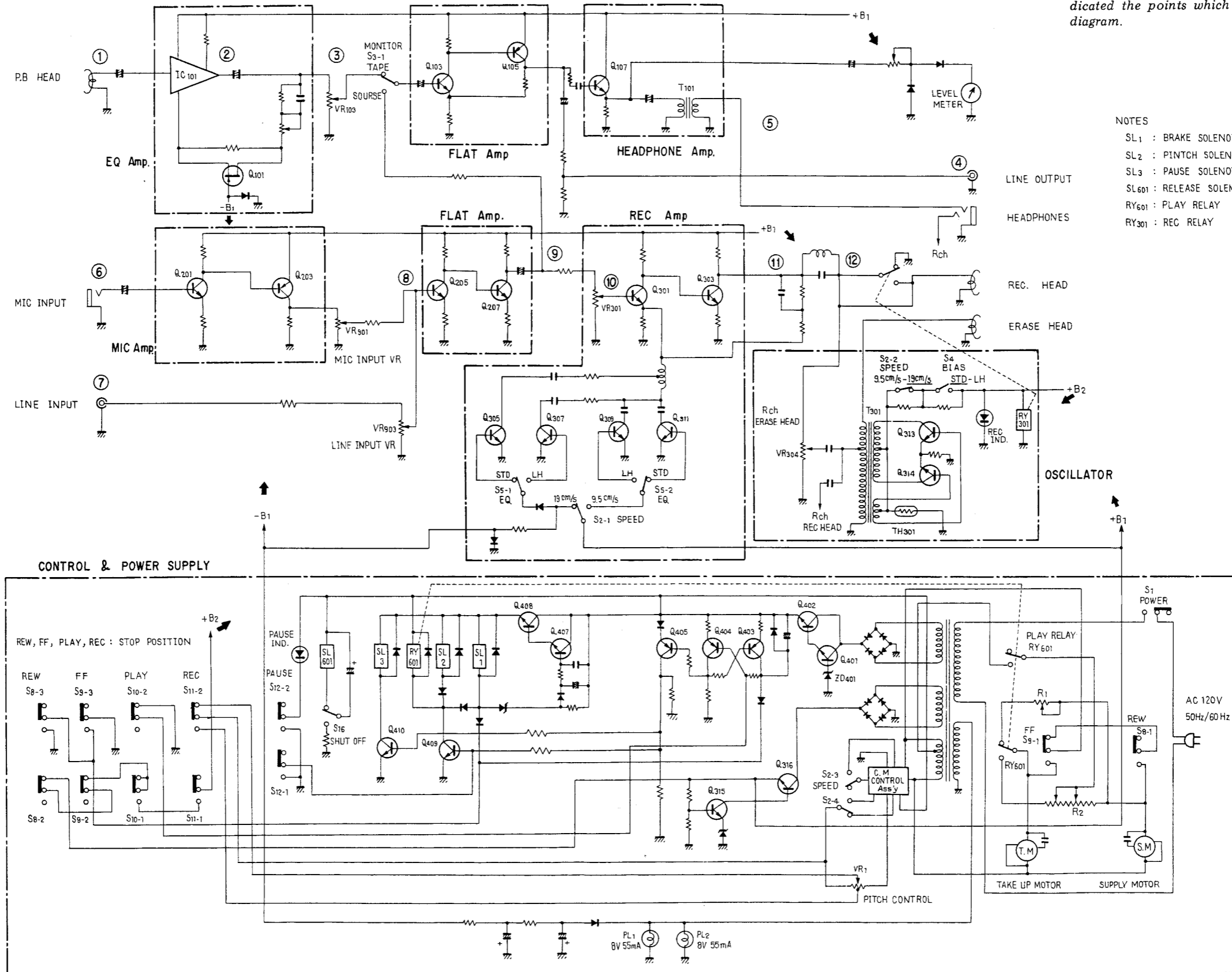
Frequency: 1kHz

The level measurement points are indicated on the block diagram.



3. BLOCK DIAGRAM

NOTE:
The number which are circled in the block diagram indicated the points which are to be measured in the level diagram.



- NOTES
- SL₁ : BRAKE SOLENOID
 - SL₂ : PINTCH SOLENOID
 - SL₃ : PAUSE SOLENOID
 - SL₆₀₁ : RELEASE SOLENOID
 - RY₆₀₁ : PLAY RELAY
 - RY₃₀₁ : REC RELAY

4. CIRCUIT DESCRIPTIONS

4.1 CONTROL CIRCUIT

• Play Function (Fig. 1)

1. When the play button S_{10-2} is pushed, ground connection of R_{407} is interrupted and the base circuit of Q_{404} is opened. No current can flow through Q_{404} , and it enters OFF state.
2. +B voltage causes current to flow along the route $D_{405} \rightarrow Q_{405} \rightarrow R_{411} \rightarrow R_{410}$, whereby Q_{405} is turned ON.
3. Base current of Q_{409} can flow through R_{414} and transistor becomes ON. The collector current of Q_{409} activates brake solenoid SL_1 , pinch solenoid SL_2 and play relay RY_{601} .
4. Base current of Q_{410} can flow through R_{412} and transistor becomes ON. Q_{410} collector current activates PAUSE solenoid SL_3 .

Operation of brake solenoid SL_1 releases the brakes of the supply motor (SM) and take-up motor (TM). Operation of the pinch solenoid SL_2 causes the pinch roller to be pressed against the capstan.

4.2 PLAYBACK AMPLIFIER (Fig. 2)

1. The playback signal from the playback head enters IC_{101} through C_{103} .
2. The amplified output from IC_{101} undergoes playback equalization in the equalizer formed by VR_{101} , R_{109} , C_{113} , R_{107} .
3. The difference in equalization between 19cm and 9.5cm/s tape speeds is obtained by varying the voltage applied to the gate of FET Q_{101} (0.4V for 19cm/s, -8.5V for 9.5cm/s) and utilizing the resultant change in the FET's internal impedance.
4. The signal from IC_{101} is then amplified in the direct coupled NPN PNP amplifier (Q_{103} , Q_{105}) and becomes available at the line output terminals.
5. A portion of the output signal undergoes impedance conversion in Q_{107} and matching transformer T_{101} and becomes available at the phones output jack.

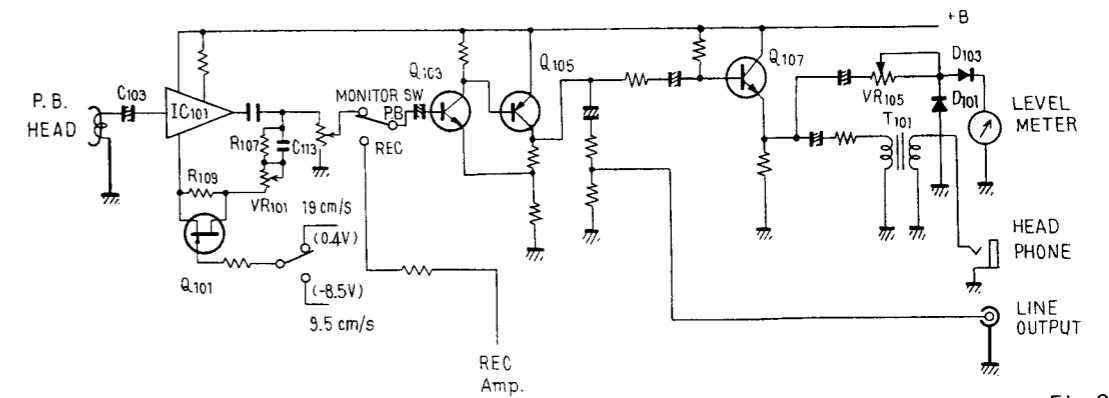


Fig. 2

Table 1

Transport Mode	Transistors in ON state	Transistors in OFF state
STOP	Q_{404}	Q_{403} , Q_{405} , Q_{409} , Q_{410}
PLAY	Q_{403} , Q_{405} , Q_{409} , Q_{410}	Q_{404}
FF/REW	Q_{404}	Q_{403} , Q_{405} , Q_{409} , Q_{410}
PAUSE	Q_{403} , Q_{405} , Q_{410}	Q_{404} , Q_{409}

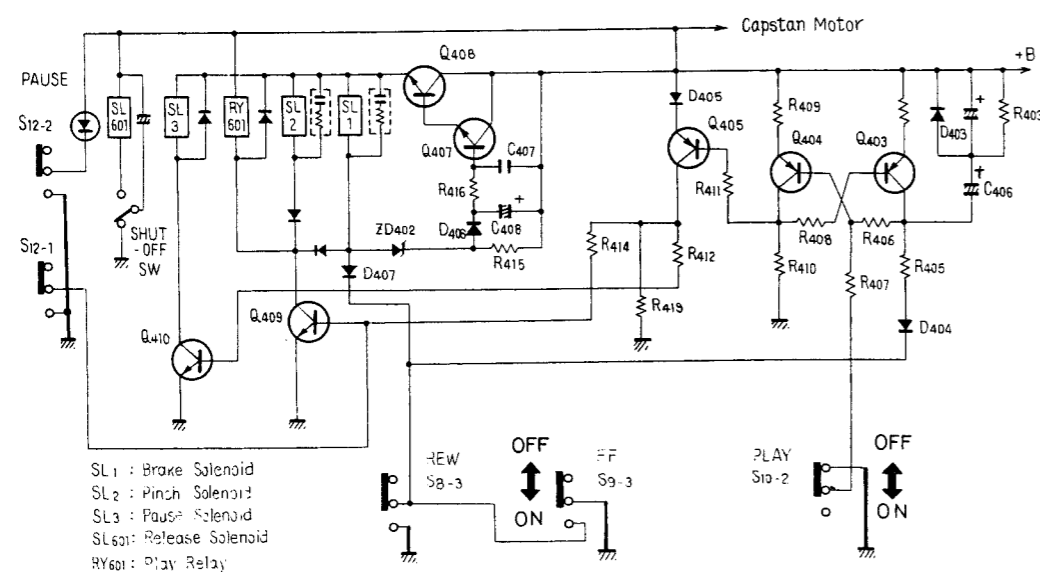

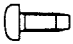
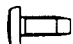
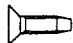
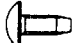


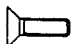


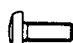
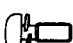


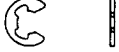







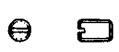






Fig. 1

5. EXPLODED VIEWS

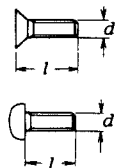
The following symbols stand for screws, washers and nuts as shown in exploded view.

Symbol	Description	Shape
RT	Brazier head tapping screw	
PT	Pan head tapping screw	
BT	Binding head tapping screw	
CT	Countersunk head tapping screw	
TT	Truss head tapping screw	
OCT	Oval countersunk head tapping screw	
PM	Pan head machine screw	
CM	Countersunk head machine screw	
OCM	Oval countersunk head machine screw	
TM	Truss head machine screw	
BM	Binding head machine screw	
PSA	Pan head screw with spring lock washer	
PSB	Pan head screw with spring lock washer and flat washer	
PSF	Pan head screw with flat washer	

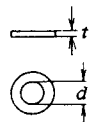
Symbol	Description	Shape
EW	E type washer	
FW	Flat washer	
SW	Spring lock washer	
N	Nut	
WN	Washer faced nut	
ITW	Internal toothed lock washer	
OTW	Outernal toothed lock washer	
SC	Slotted set screw (Cone point)	
SF	Slotted set screw (Flat point)	
HS	Hexagon socket headless set screw	
OCW	Oval countersunk head wood screw	
CW	Countersunk head wood screw	
RW	Round head wood screw	

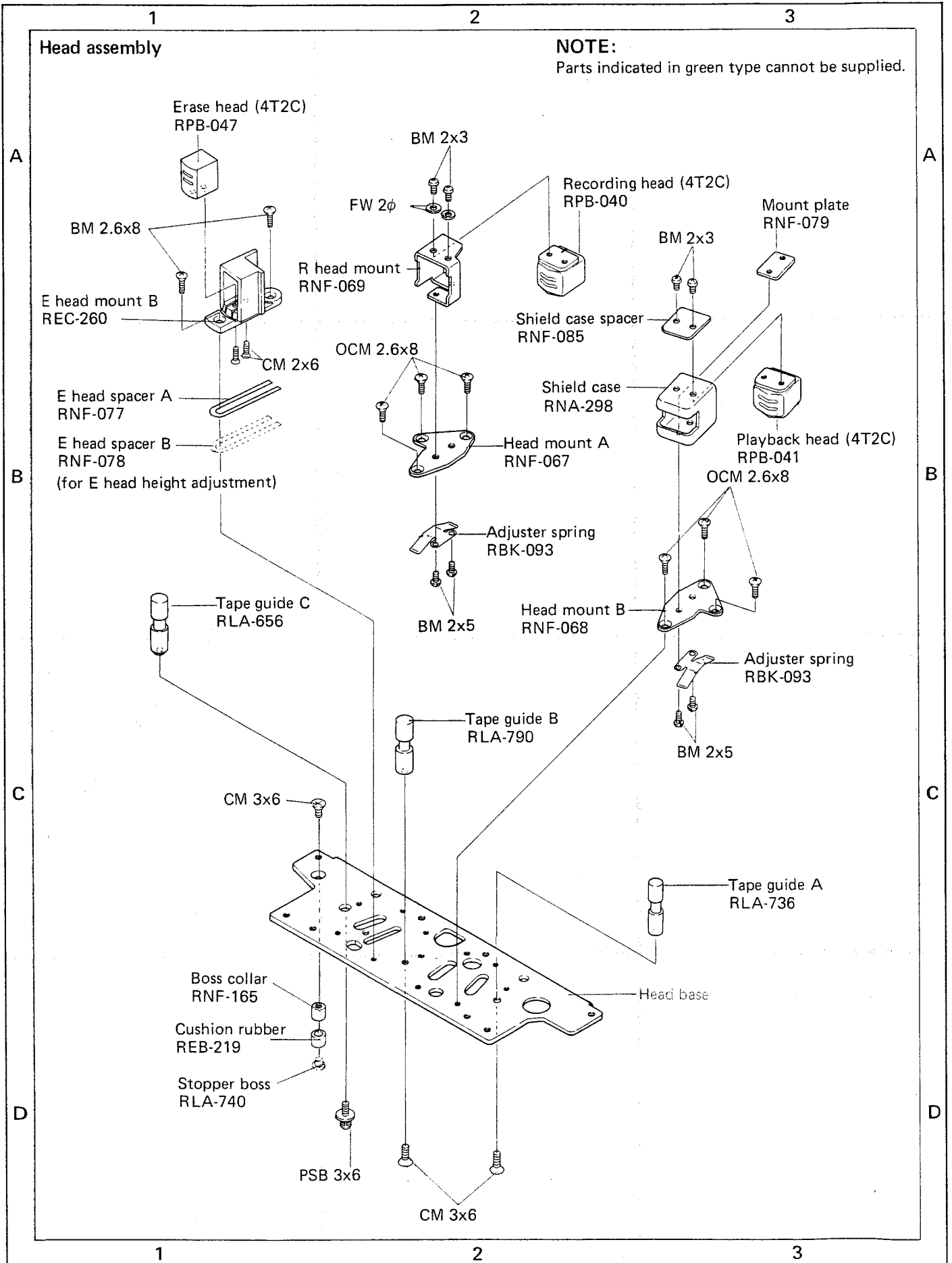
EXAMPLE

PM · 3x8
 — length in mm (*l*)
 — diameter in mm (*d*)
 — Symbol



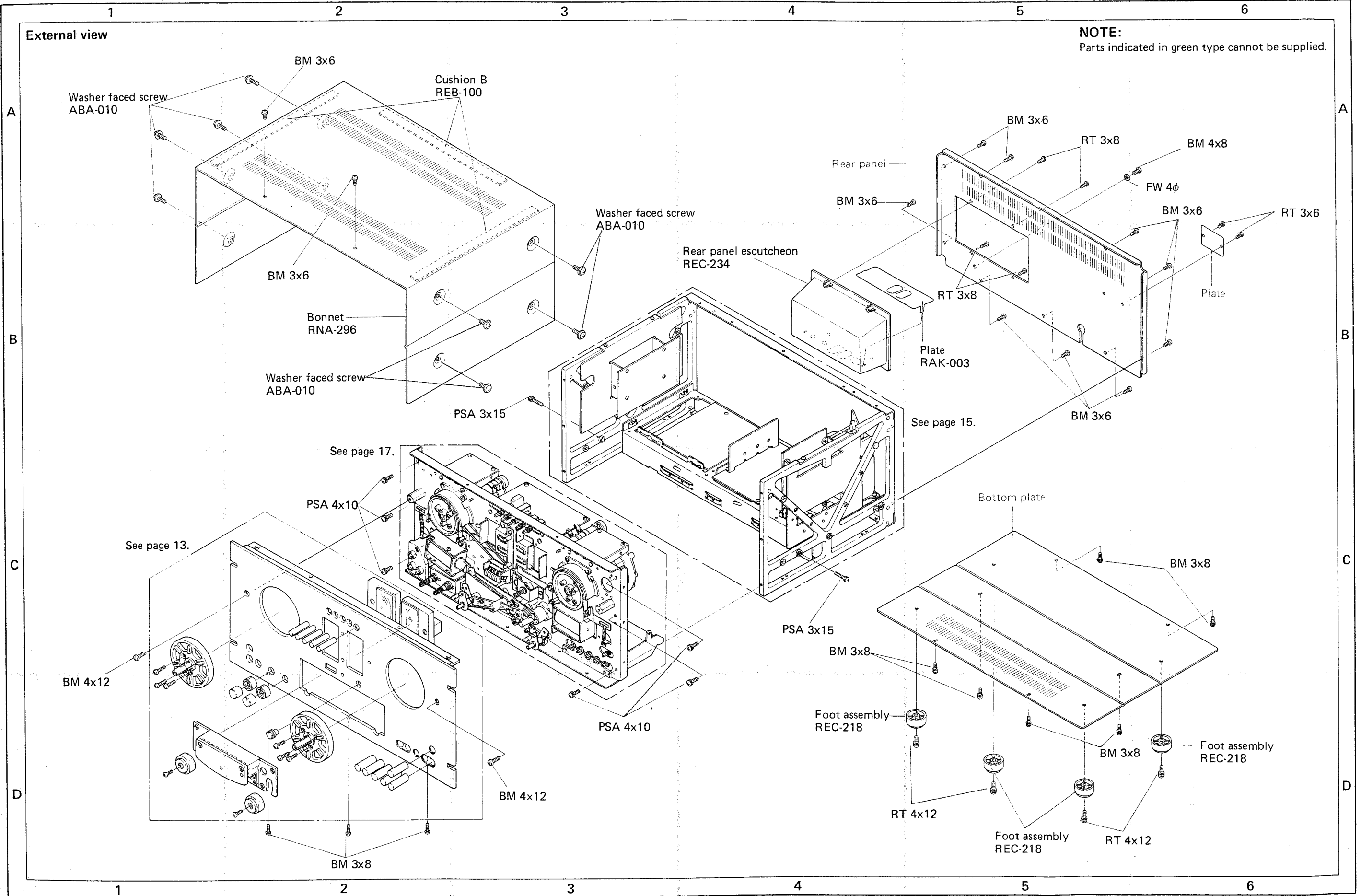
FW · 9φ x 1^t
 — thickness in mm (*t*)
 — diameter in mm (*d*)
 — Symbol





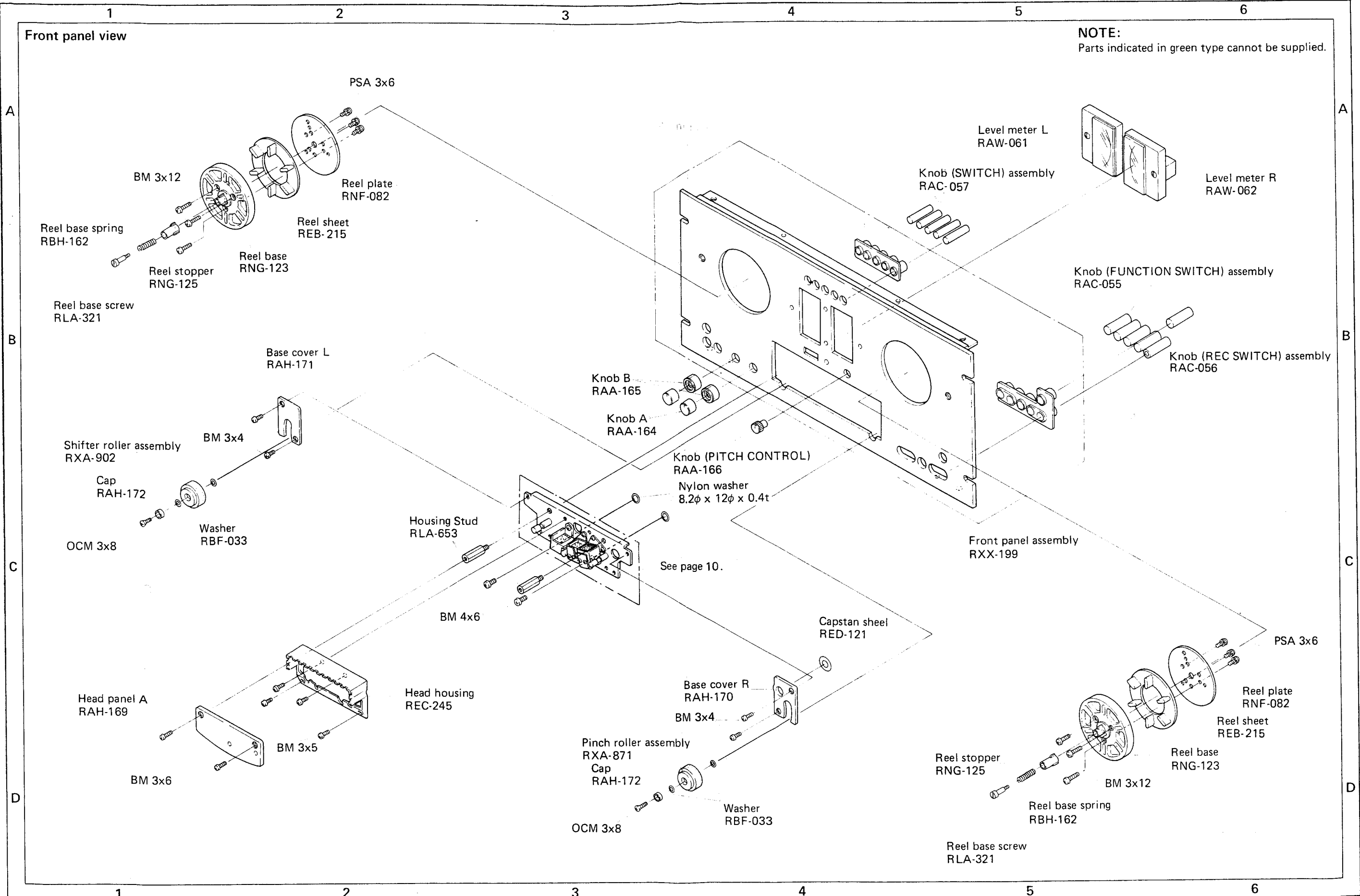
External view

NOTE:
Parts indicated in green type cannot be supplied.



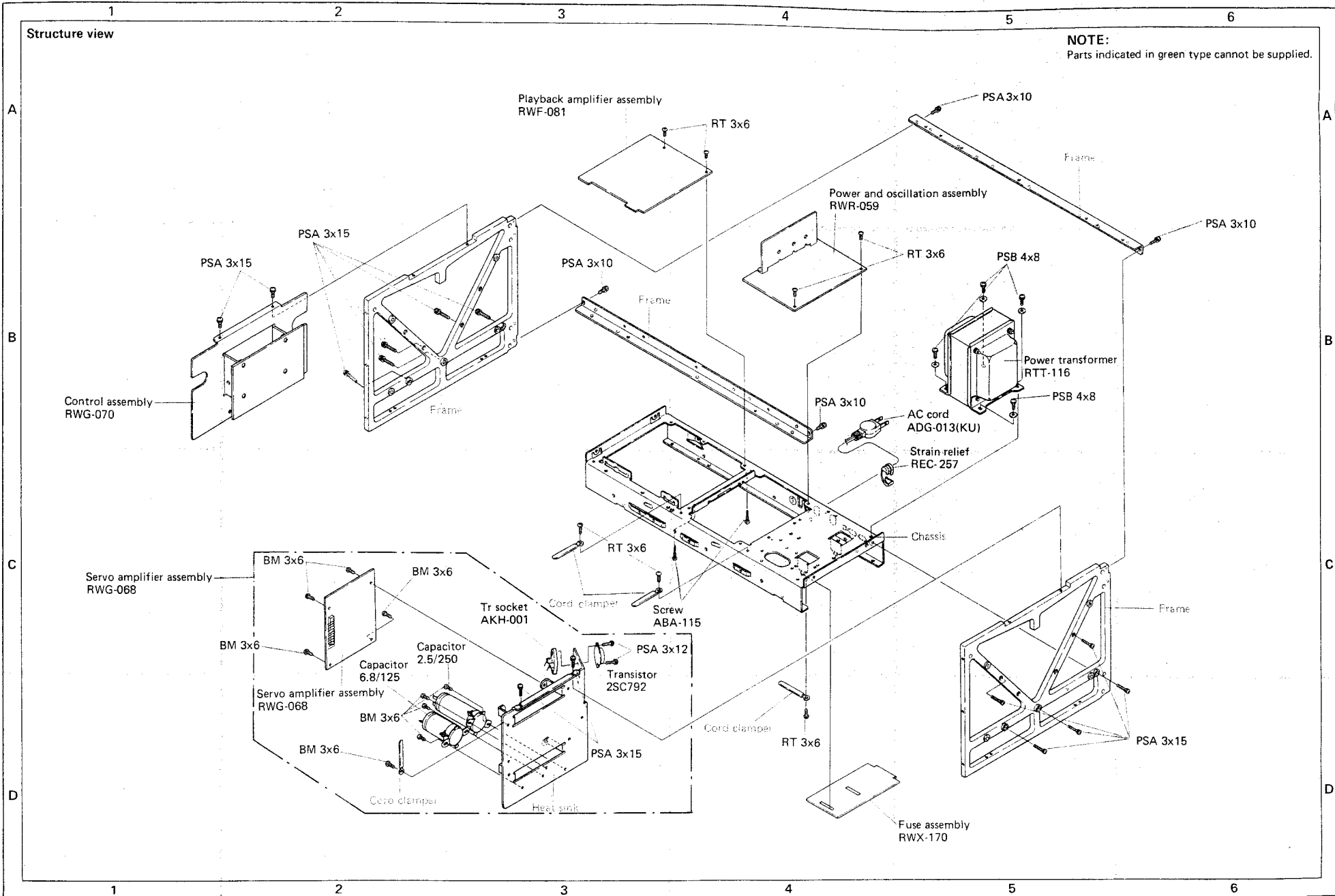
Front panel view

NOTE:
Parts indicated in green type cannot be supplied.



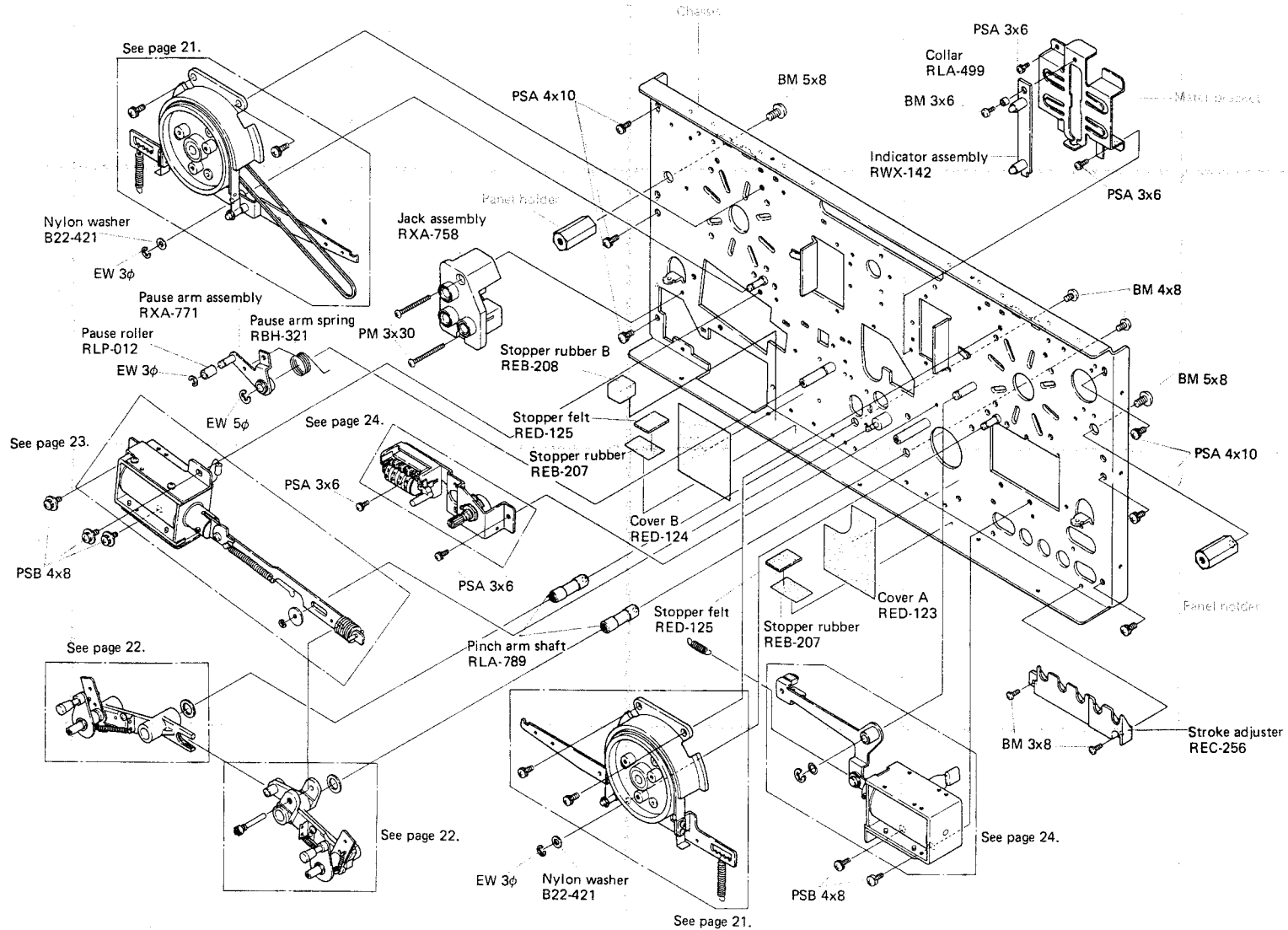
Structure view

NOTE:
Parts indicated in green type cannot be supplied.



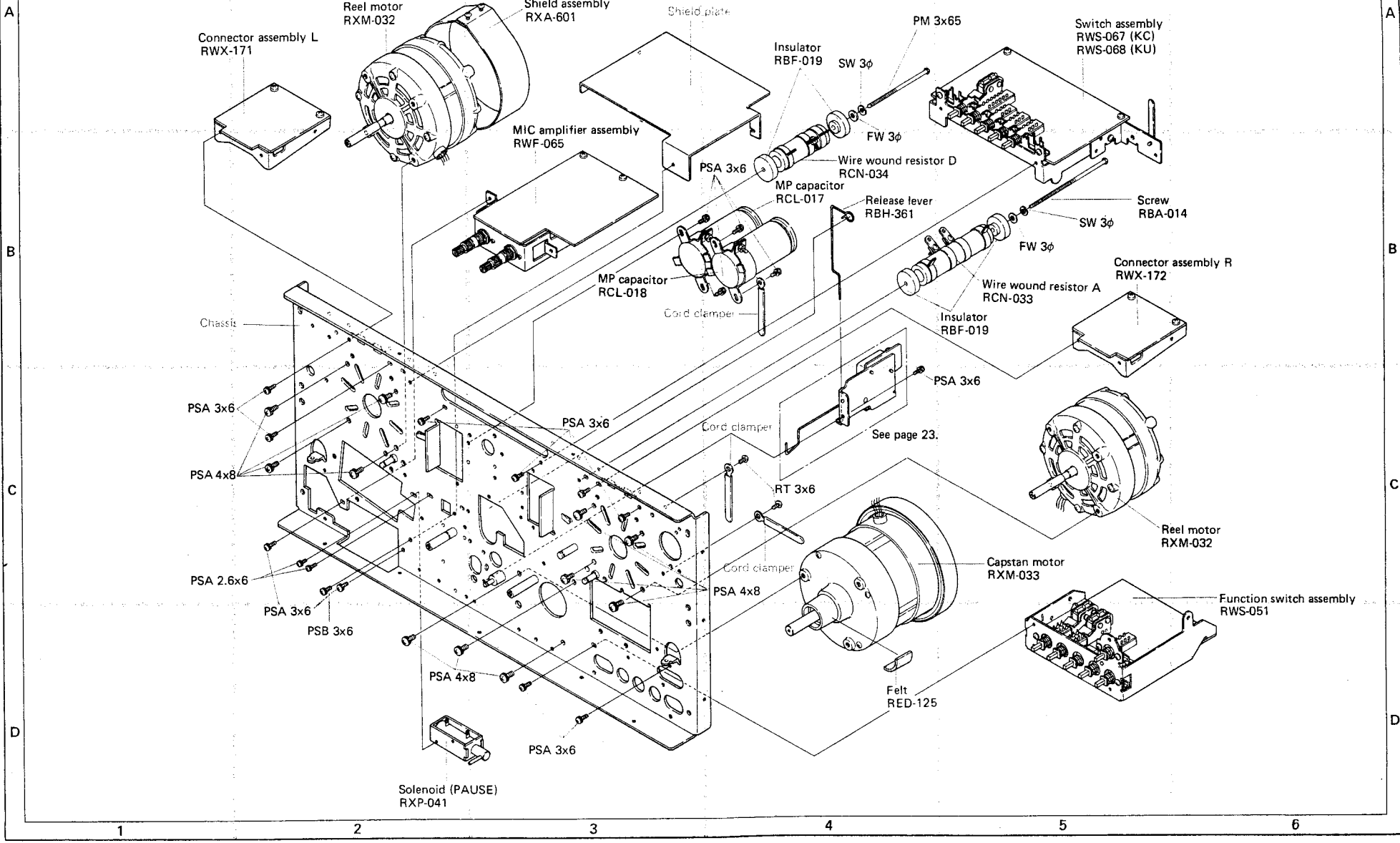
Front side view of mechanism chassis

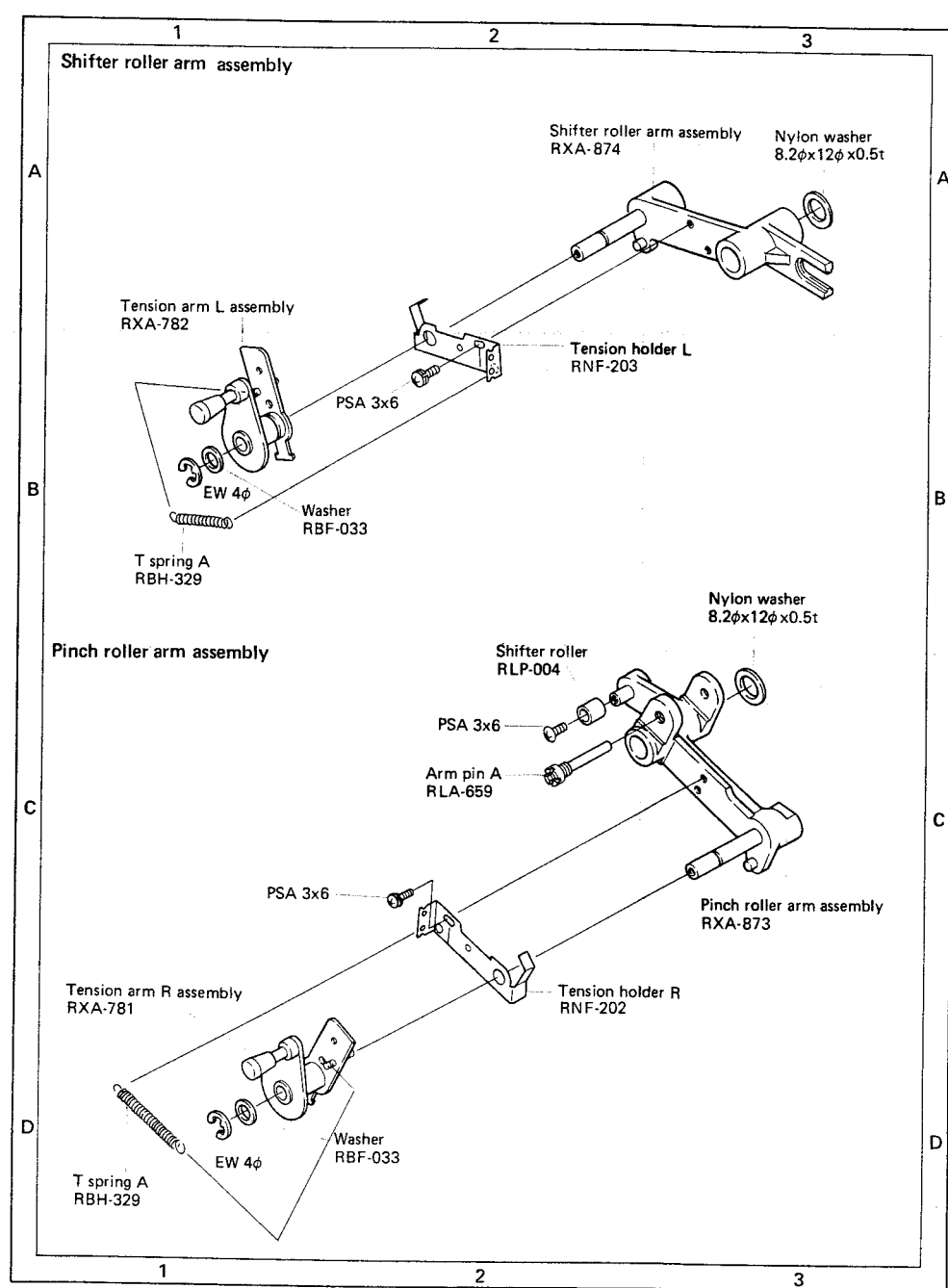
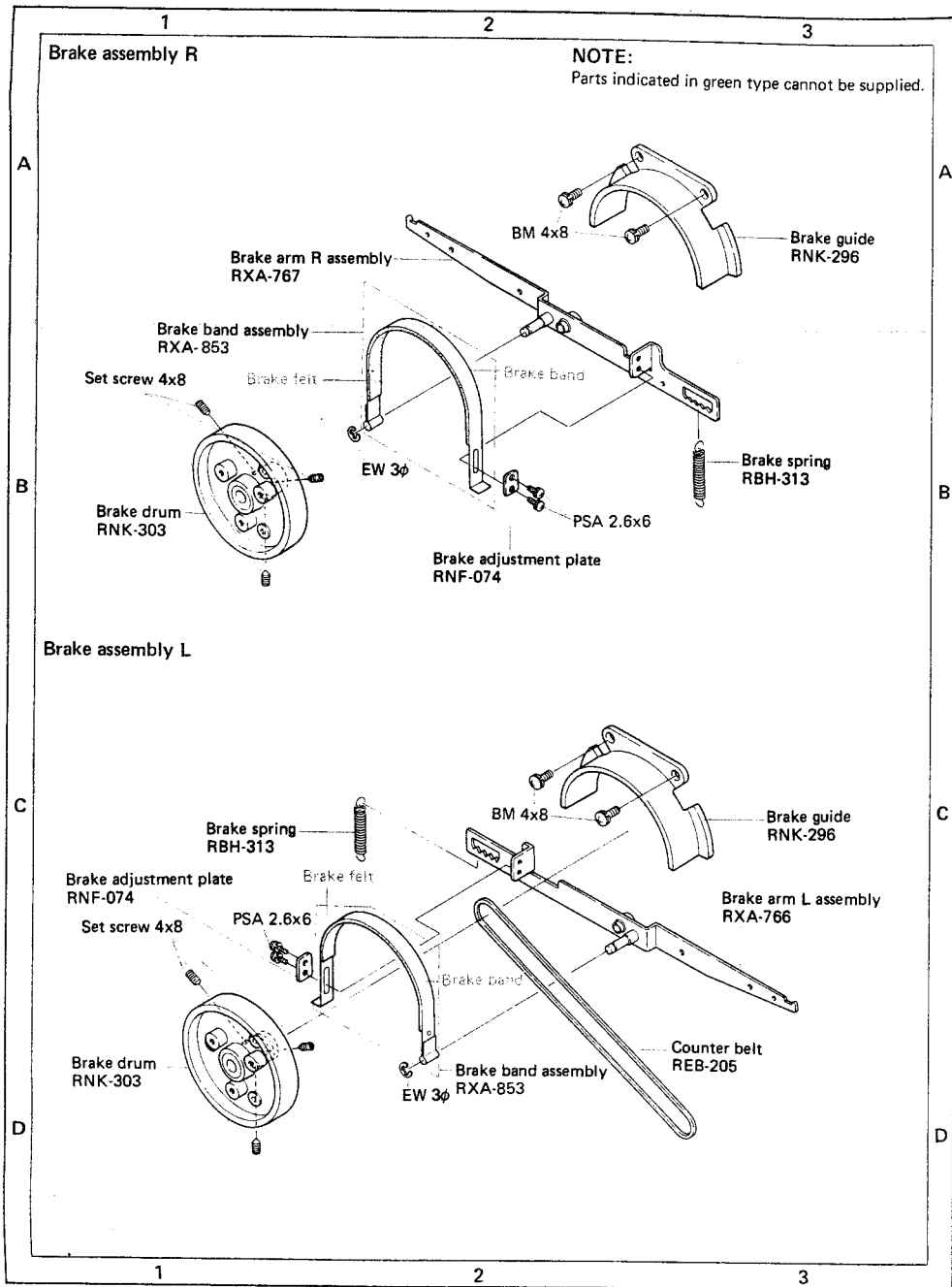
NOTE:
Parts indicated in green type cannot be supplied.



Rear side view of mechanism chassis

NOTE:
Parts indicated in green type cannot be supplied.



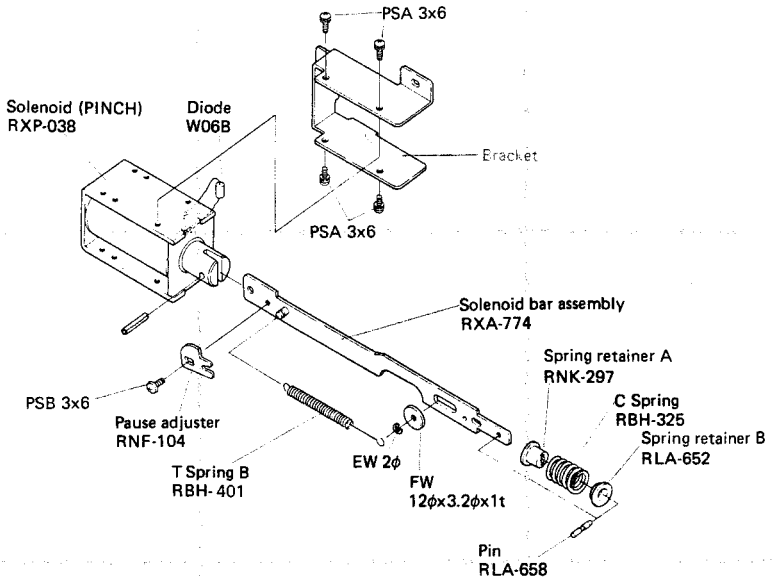


1 2 3

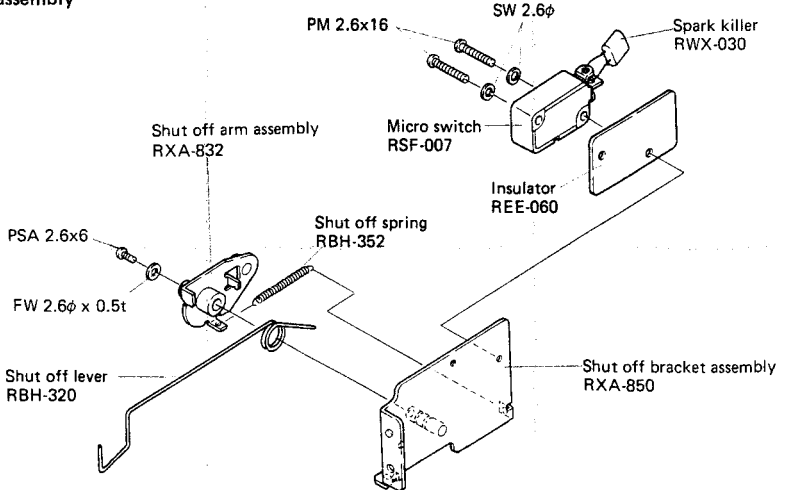
Solenoid (PINCH) assembly

NOTE:

Parts indicated in green type cannot be supplied.



Shut off assembly

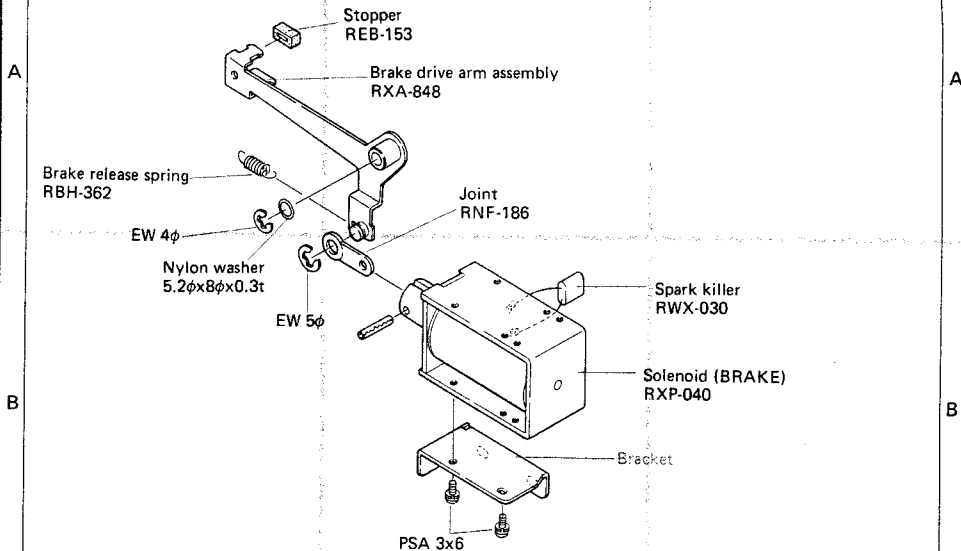


1 2 3

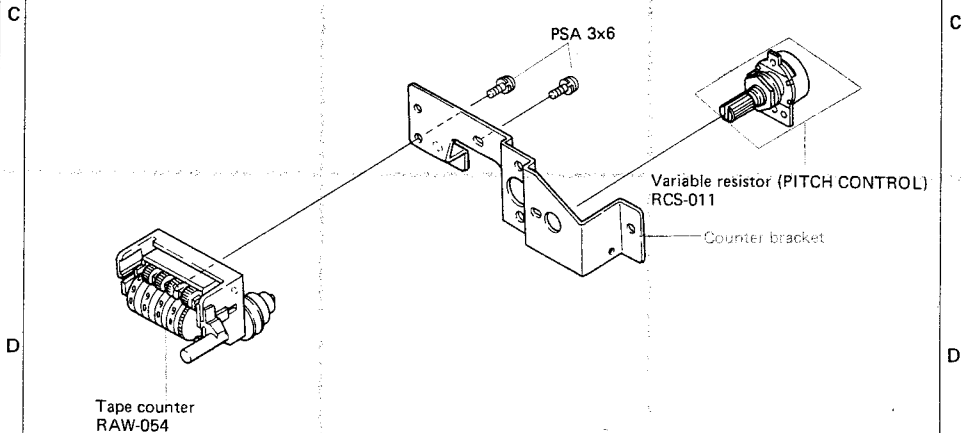
Solenoid (BRAKE) assembly

NOTE:

Parts indicated in green type cannot be supplied.



Tape counter assembly



6. SCHEMATIC DIAGRAMS, P.C. BOARD PATTERNS AND PARTS LISTS.

6.1 MISCELLANEOUS PARTS LIST

NOTE:

- Capacitors: in μF unless otherwise noted p:pF
- Resistors: in Ω , $\frac{1}{4}W$ unless otherwise noted k:k Ω , M:M Ω

CAPACITORS

Symbol	Part No.	Description
C1	RCL-017	MP capacitor
C2	RCL-018	MP capacitor

RESISTORS

Symbol	Part No.	Description
R1	RCN-034	Wire wound resistor D 2k 20W
R2	RCN-033	Wire wound resistor A 350 25W
VR1	RCS-011	Variable resistor (PITCH CONTROL)

SEMICONDUCTORS

Symbol	Part No.	Description
D1	W06B	Diode
D3	W06B	Diode

TRANSFORMER

Symbol	Part No.	Description
T1	RTT-116	Power transformer

OTHERS

Symbol	Part No.	Description
VU1	RAW-061	Level meter L
VU2	RAW-062	Level meter R
S16	RSF-007	Micro switch
CR1	RWX-030	Spark killer
CR2	RWX-030	Spark killer
RXP-038		Solenoid (PINCH)
RXP-041		Solenoid (PAUSE)
RXP-040		Solenoid (BRAKE)
RPB-047		Erase head
RPB-040		Recording head
RPB-041		Playback head
RWR-059		Power and oscillation assembly
RWF-081		Playback amplifier assembly
RWX-170		Fuse assembly
RWF-065		Mic amplifier assembly

Symbol	Part No.	Description
	RWS-068	Switch assembly (KU)
	RWS-067	Switch assembly (KC)
	RWS-051	Function switch assembly
	RXA-758	Jack assembly
	RXM-033	Capstan motor
	RXM-032	Reel motor

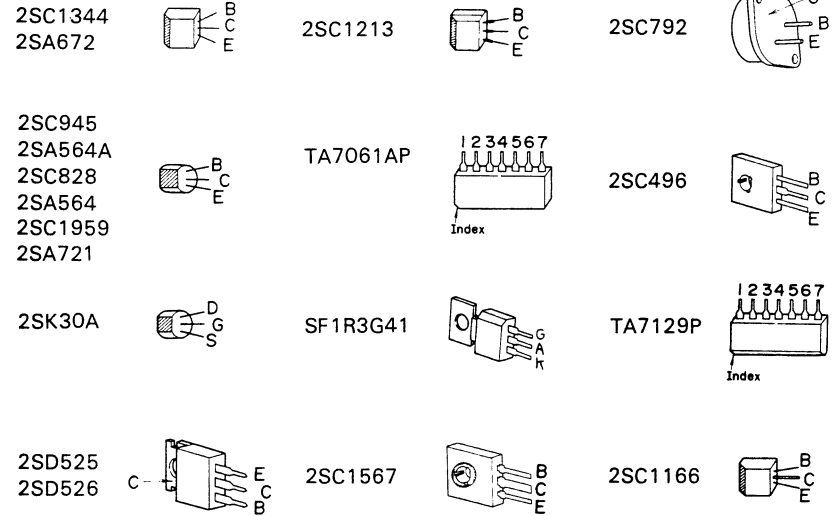
NOTE:

List of changed parts information will be furnished whenever necessary and you are requested to amend parts number in this parts list.

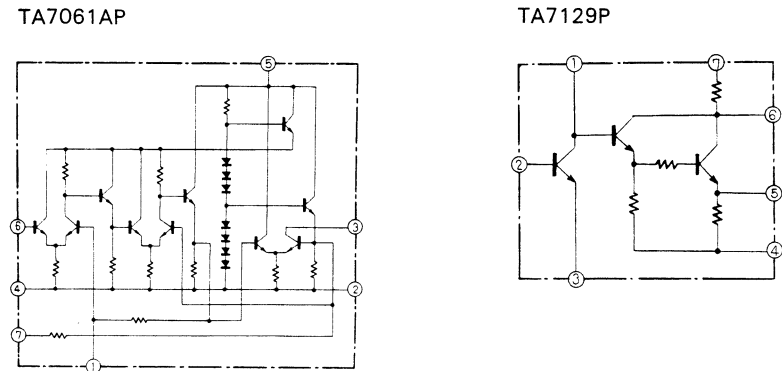
List of Changed Parts for Factory Modification

Symbol	Part No.	Description

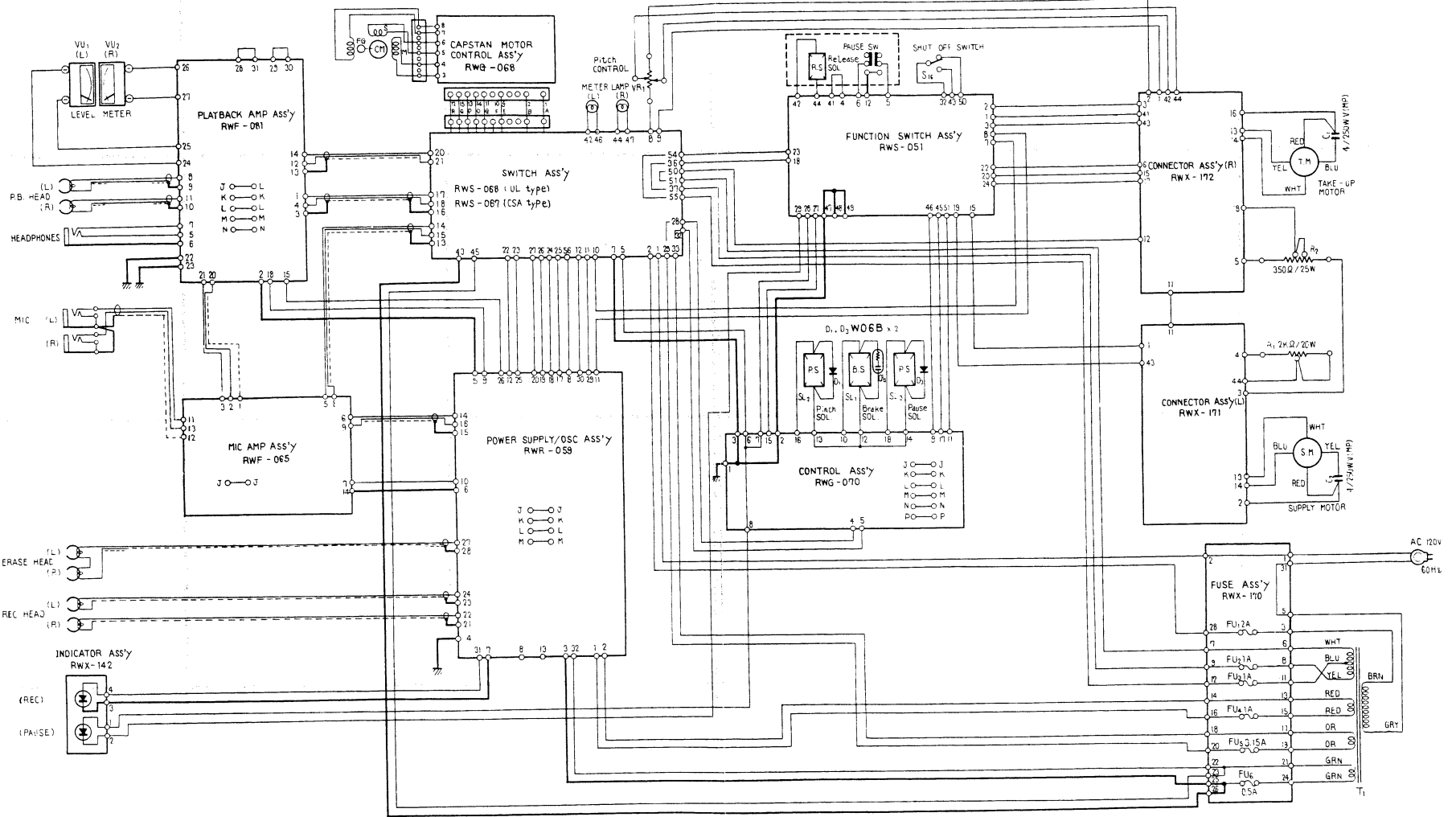
6.2 EXTERNAL APPEARANCE OF TRANSISTORS AND ICs



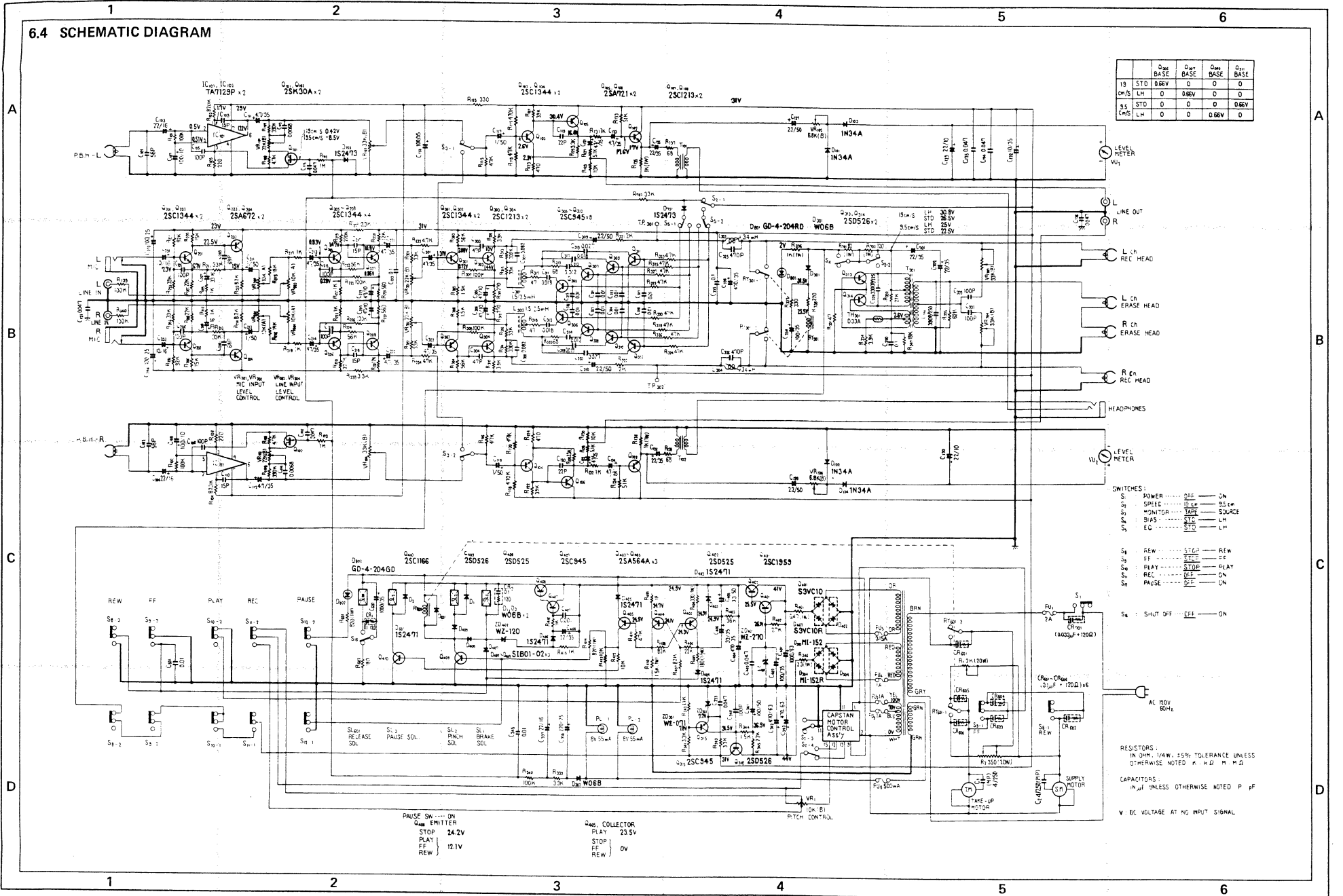
Circuit Diagram of ICs



6.3 CONNECTION DIAGRAM



6.4 SCHEMATIC DIAGRAM



	D _{BASE}	G _{BASE}	Q _{BASE}	Q _{BASE}
1B STD	0.66V	0	0	0
C/S LH	0	0.66V	0	0
5S STD	0	0	0	0.66V
C/S LH	0	0	0.66V	0

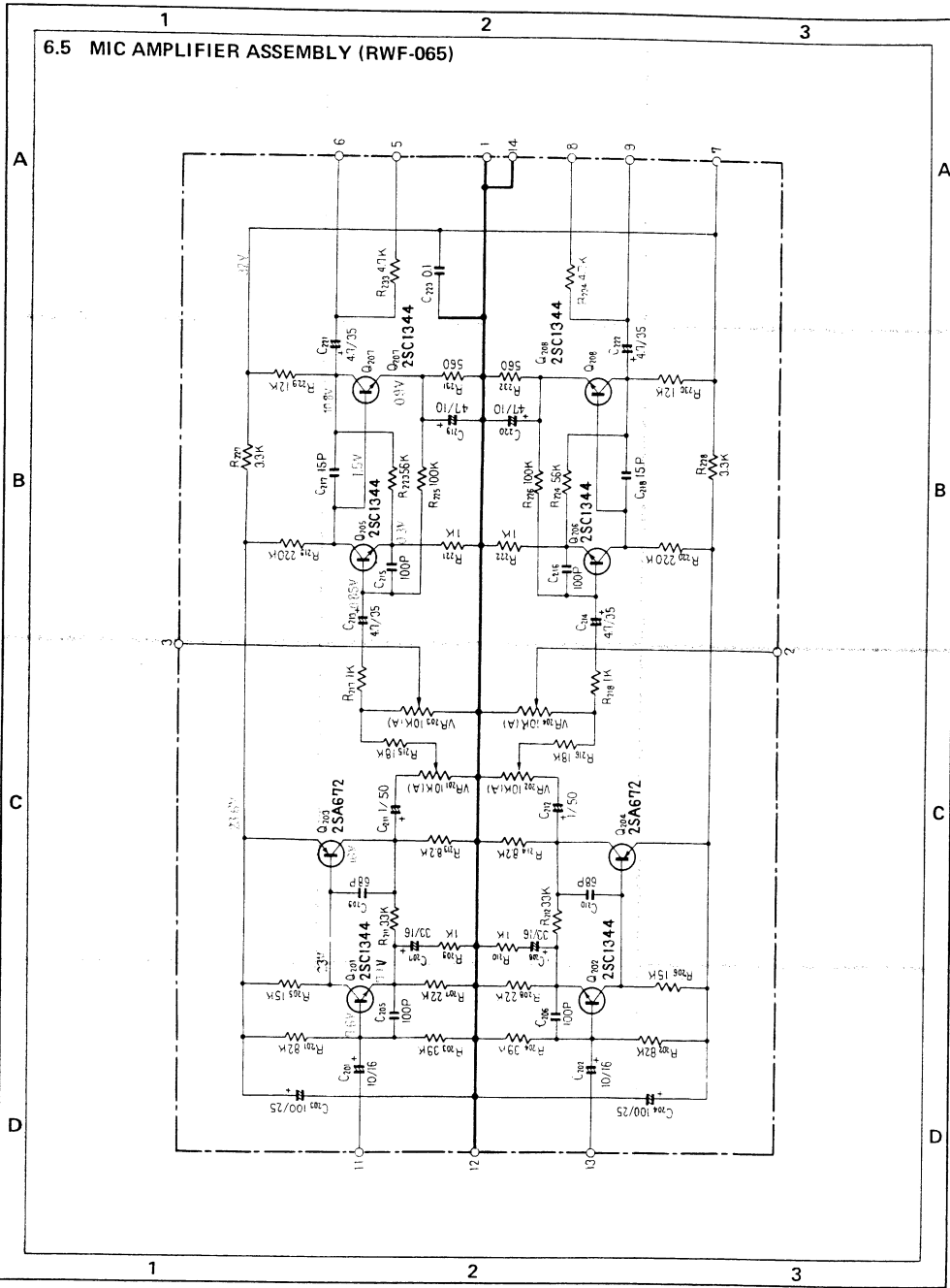
- SWITCHES:
- S POWER OFF ON
 - S1 SPEED 15 cm/sec 35 cm/sec
 - S2 MONITOR TAPE SOURCE
 - S3 BIAS STD LH
 - S4 EC STD LH
- S5 REW STD REW
- S6 FF STOP FF
- S7 PLAY STOP PLAY
- S8 REC OFF ON
- S9 PAUSE STOP ON
- S10 SHUT OFF OFF ON

- RESISTORS:
- IN OHM, 1/4W, 5% TOLERANCE UNLESS OTHERWISE NOTED M, K, D, M, M, K
- CAPACITORS:
- IN μF UNLESS OTHERWISE NOTED P, P/F
- V DC VOLTAGE AT NG INPUT SIGNAL

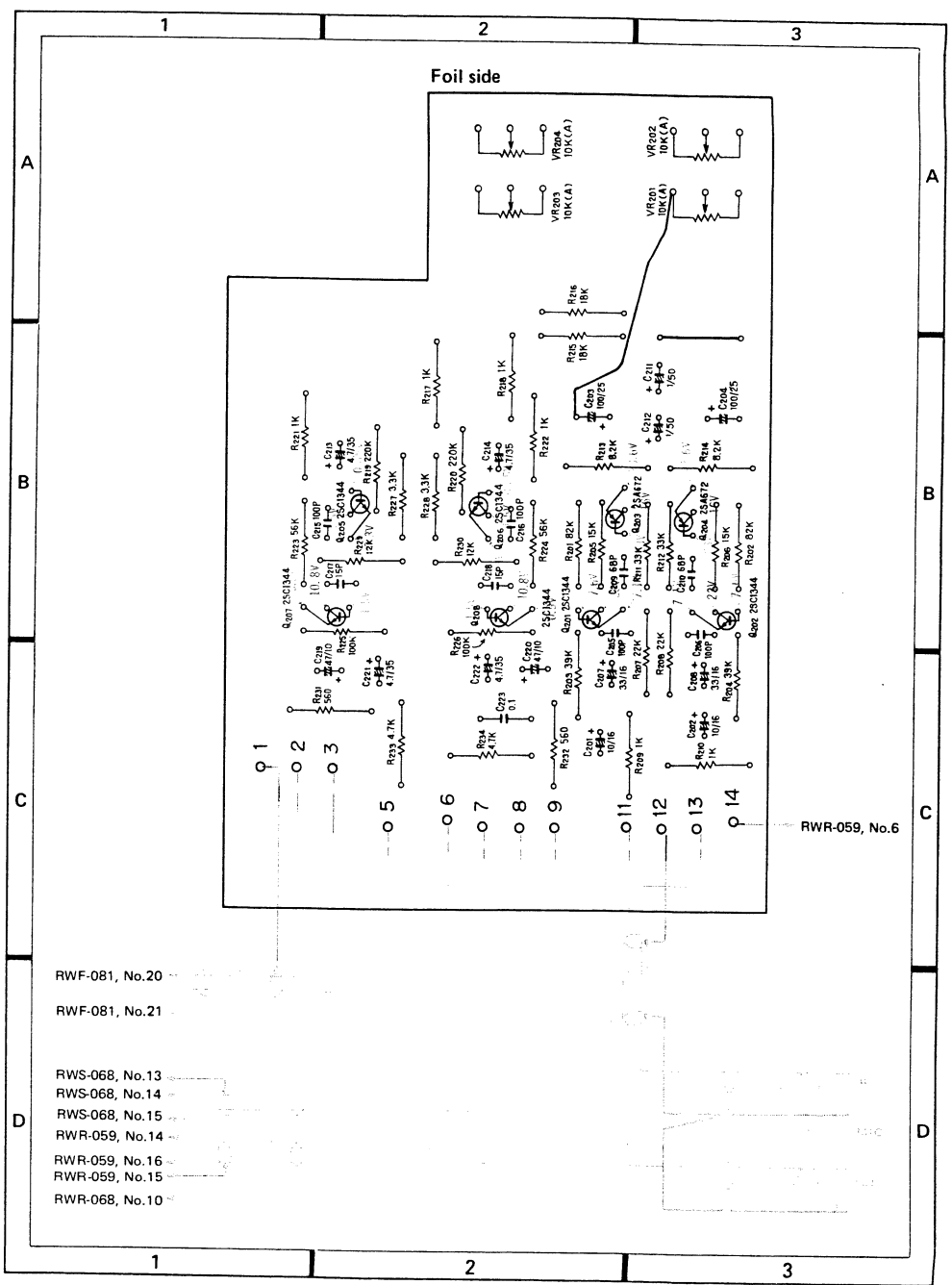
PAUSE SW ON
 Q₁ EMITTER
 STOP 24.2V
 PLAY FF 12.1V
 REW

Q₂ COLLECTOR
 PLAY 23.5V
 STOP 0V
 REW

6.5 MIC AMPLIFIER ASSEMBLY (RWF-065)



Foil side



RWF-081, No.20

RWF-081, No.21

RWS-068, No.13

RWS-068, No.14

RWS-068, No.15

RWR-059, No.14

RWR-059, No.16

RWR-059, No.15

RWR-068, No.10

Parts List

CAPACITORS

Symbol	Part No.	Description		
C201	RCH-018	Electrolytic	10	16V
C202	RCH-018	Electrolytic	10	16V
C203	CEA 101P 25	Electrolytic	100	25V
C204	CEA 101P 25	Electrolytic	100	25V
C205	CCDSL 101K 50	Ceramic	100p	50V
C206	CCDSL 101K 50	Ceramic	100p	50V
C207	CEA 330P 16	Electrolytic	33	16V
C208	CEA 330P 16	Electrolytic	33	16V
C209	CCDSL 680K 50	Ceramic	68p	50V
C210	CCDSL 680K 50	Ceramic	68p	50V
C211	CEA 010P 50	Electrolytic	1	50V
C212	CEA 010P 50	Electrolytic	1	50V
C213	CEA 4R7P 35	Electrolytic	4.7	35V
C214	CEA 4R7P 35	Electrolytic	4.7	35V
C215	CCDSL 101K 50	Ceramic	100p	50V
C216	CCDSL 101K 50	Ceramic	100p	50V
C217	CCDSL 150K 50	Ceramic	15p	50V
C218	CCDSL 150K 50	Ceramic	15p	50V
C219	CEA 470P 10	Electrolytic	47	10V
C220	CEA 470P 10	Electrolytic	47	10V
C221	CEA 4R7P 35	Electrolytic	4.7	35V
C222	CEA 4R7P 35	Electrolytic	4.7	35V
C223	CQMA 104K 50	Mylar	0.1	50V

Symbol	Part No.	Description		
R216	RD½PS 183J	Carbon film		18k
R217	RD½PS 102J	Carbon film		1k
R218	RD½PS 102J	Carbon film		1k
R219	RD½PS 224J	Carbon film		220k
R220	RD½PS 224J	Carbon film		220k
R221	RD½PS 102J	Carbon film		1k
R222	RD½PS 102J	Carbon film		1k
R223	RD½PS 563J	Carbon film		56k
R224	RD½PS 563J	Carbon film		56k
R225	RD½PS 104J	Carbon film		100k
R226	RD½PS 104J	Carbon film		100k
R227	RD½PS 332J	Carbon film		3.3k
R228	RD½PS 332J	Carbon film		3.3k
R229	RD½PS 123J	Carbon film		12k
R230	RD½PS 123J	Carbon film		12k
R231	RD½PS 561J	Carbon film		560
R232	RD½PS 561J	Carbon film		560
R233	RD½PS 472J	Carbon film		4.7k
R234	RD½PS 472J	Carbon film		4.7k

SEMICONDUCTORS

Symbol	Part No.	Description
Q201	2SC1344-D or E	Transistor
Q202	2SC1344-D or E	Transistor
Q203	2SA672-B or C	Transistor
Q204	2SA672-B or C	Transistor
Q205	2SC1344-D or E	Transistor
Q206	2SC1344-D or E	Transistor
Q207	2SC1344-D or E	Transistor
Q208	2SC1344-D or E	Transistor

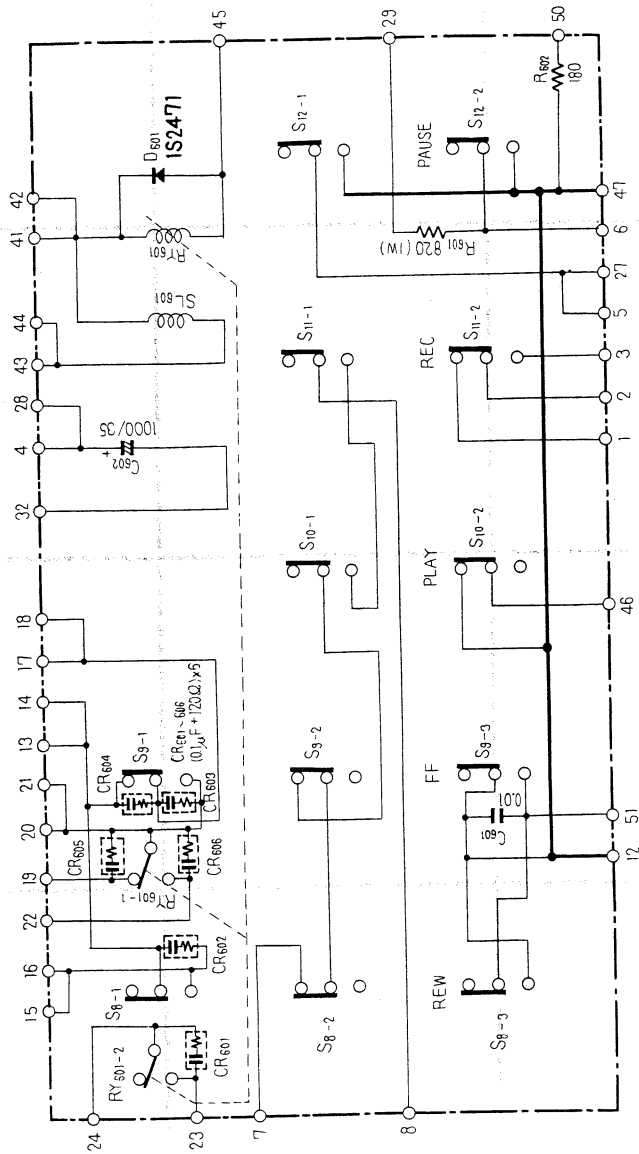
RESISTORS

Symbol	Part No.	Description
VR201	RCV-033	Variable resistor 10k-A
VR202	RCV-033	Variable resistor 10k-A
VR203	RCV-033	Variable resistor 10k-A
VR204	RCV-033	Variable resistor 10k-A
R201	RD½PS 823J	Carbon film 82k
R202	RD½PS 823J	Carbon film 82k
R203	RD½PS 393J	Carbon film 39k
R204	RD½PS 393J	Carbon film 39k
R205	RD½PS 153J	Carbon film 15k
R206	RD½PS 153J	Carbon film 15k
R207	RD½PS 223J	Carbon film 22k
R208	RD½PS 223J	Carbon film 22k
R209	RD½PS 102J	Carbon film 1k
R210	RD½PS 102J	Carbon film 1k
R211	RD½PS 333J	Carbon film 33k
R212	RD½PS 333J	Carbon film 33k
R213	RD½PS 822J	Carbon film 8.2k
R214	RD½PS 822J	Carbon film 8.2k
R215	RD½PS 183J	Carbon film 18k

List of Changed Parts for Factory Modification

Symbol	Part No.	Description

6.6 FUNCTION SWITCH ASSEMBLY (RWS-051)



Parts List

CAPACITORS

Symbol	Part No.	Description		
C601	CKDYF 103Z 50	Ceramic	0.01	50V
C602	CEA 102P 35	Electrolytic	1000	35V

RESISTORS

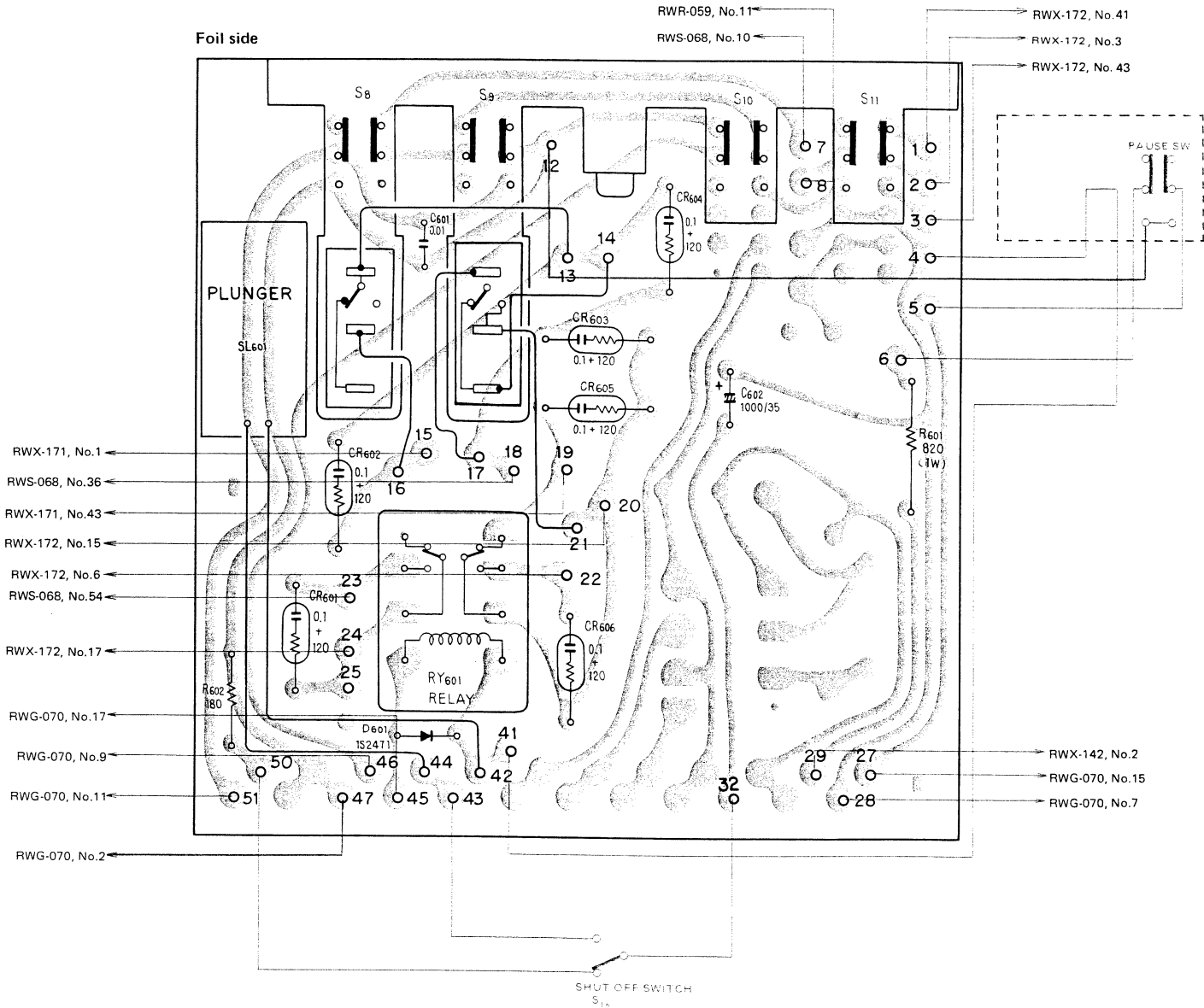
Symbol	Part No.	Description		
R601	RS1P 821J	Metal oxide	820	1W
R602	RD4PS 181J	Carbon film	180	

SEMICONDUCTOR

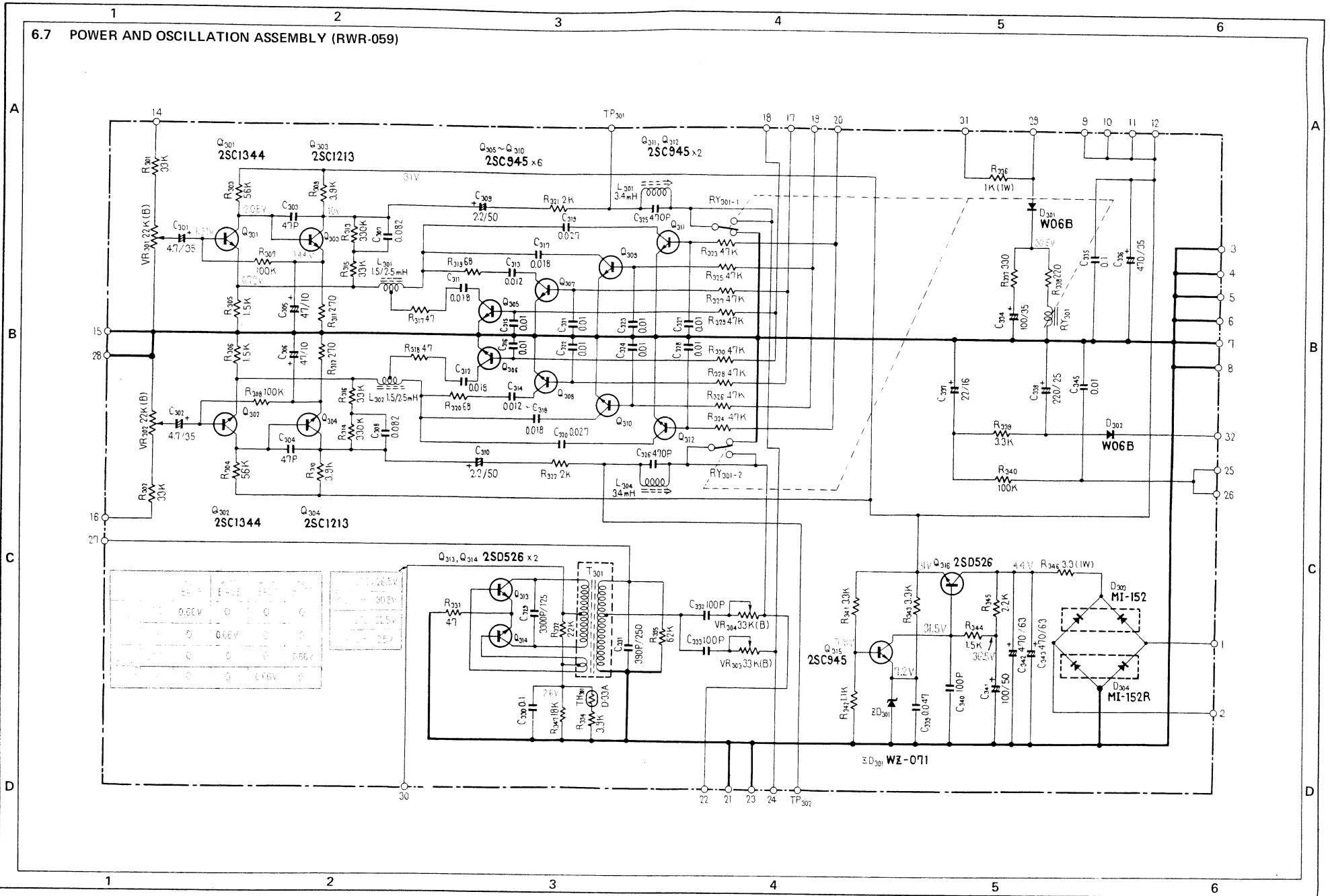
Symbol	Part No.	Description
D601	1S2471	Diode

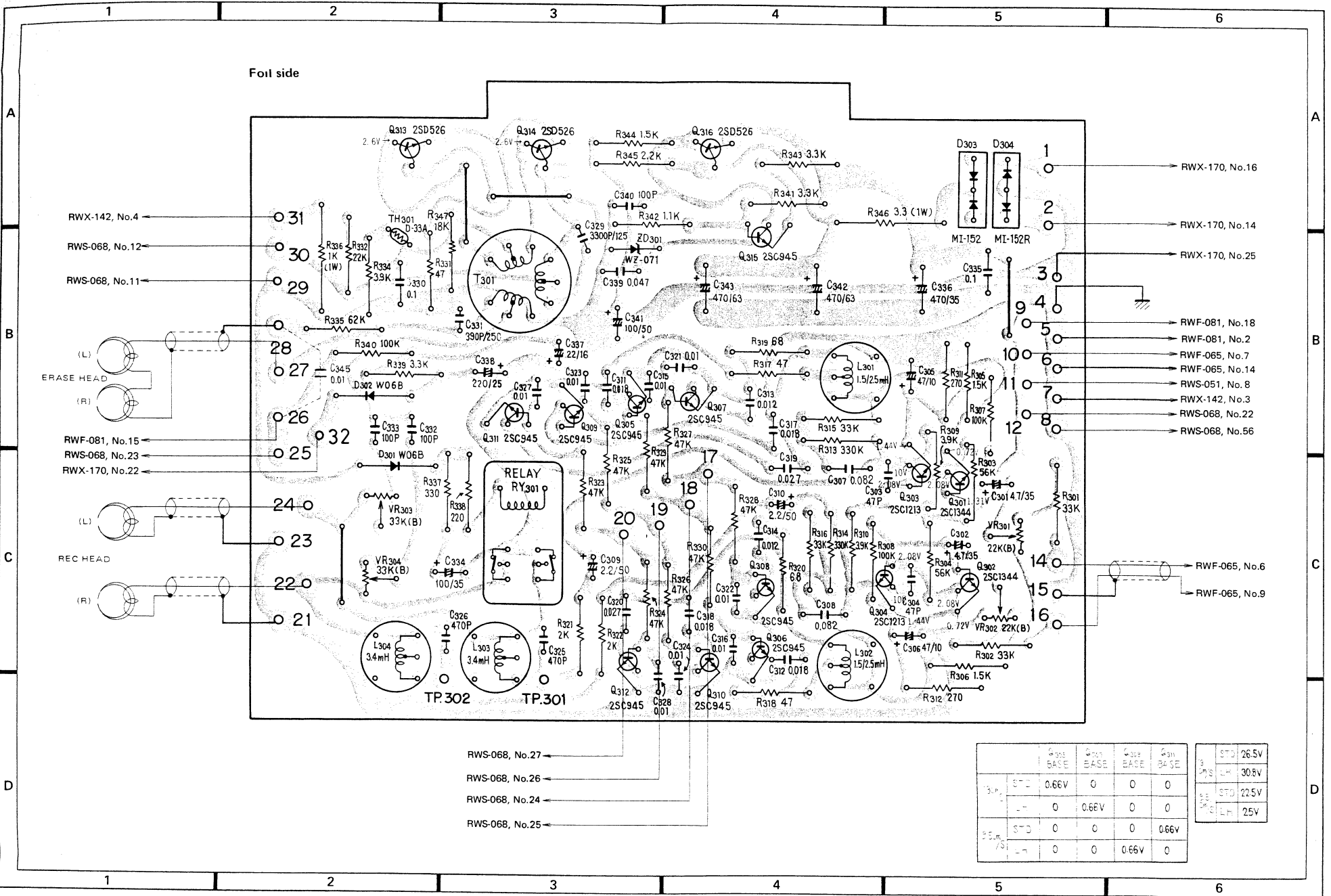
OTHERS

Symbol	Part No.	Description
RY601	RSR-016	Relay
CR601	RWX-030	Spark killer
CR602	RWX-030	Spark killer
CR603	RWX-030	Spark killer
CR604	RWX-030	Spark killer
CR605	RWX-030	Spark killer
CR606	RWX-030	Spark killer
S8	RSG-047	Function switch
S9	RSG-047	Function switch
S10	RSG-047	Function switch
S11	RSG-047	Function switch
S12	RSG-048	Pause switch
SL601	RXP-042	Solenoid (RELEASE)
	RNF-084	Release plate
	RBH-152	Release spring



6.7 POWER AND OSCILLATION ASSEMBLY (RWR-059)

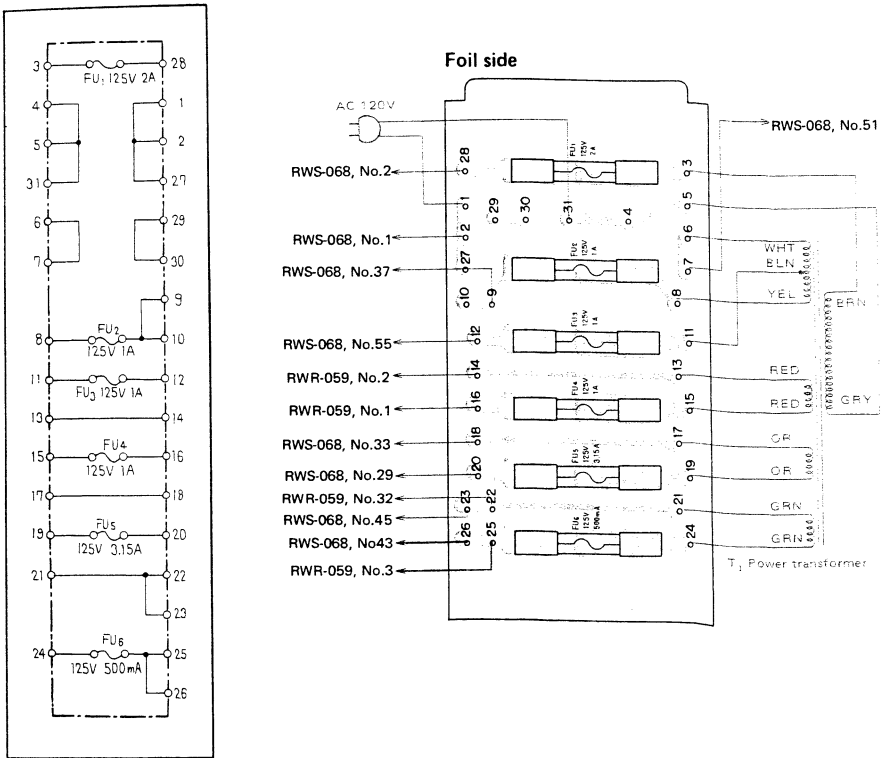




- RWS-068, No.27
- RWS-068, No.26
- RWS-068, No.24
- RWS-068, No.25

	Q303 BASE	Q303 BASE	Q303 BASE	Q303 BASE	
3	STD	0	0	0	STD 26.5V
3	LD	0	0	0	LD 30.8V
3	STD	0	0	0	STD 22.5V
3	LD	0	0	0	LD 25V
3	STD	0	0	0.66V	
3	LD	0	0	0.66V	

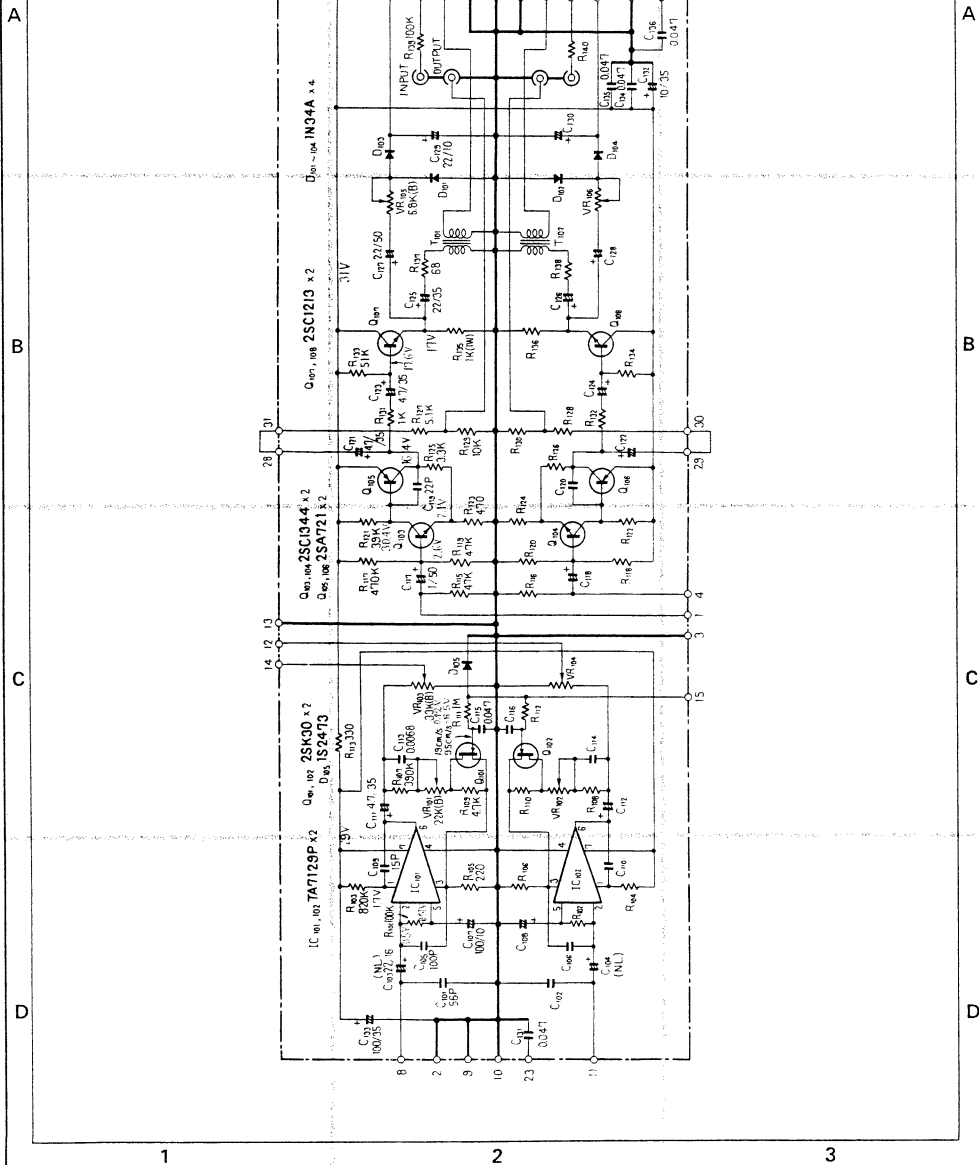
6.8 FUSE ASSEMBLY (RWX-170)

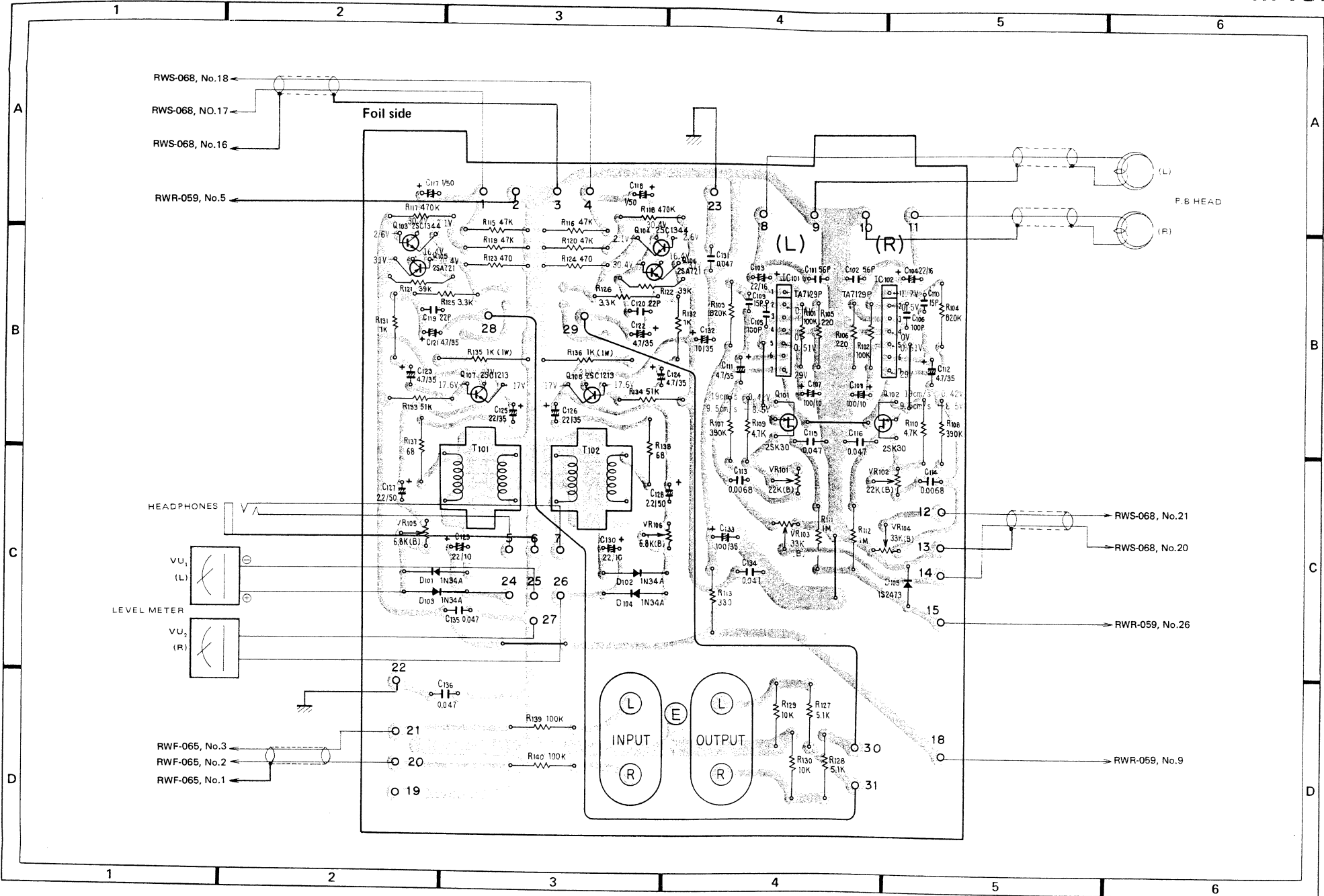


Parts List

Symbol	Part No.	Description
FU1	REK-055	Fuse 2A
FU2	REK-051	Fuse 1A
FU3	REK-051	Fuse 1A
FU4	REK-051	Fuse 1A
FU5	REK-044	Fuse 3.15A
FU6	REK-048	Fuse 0.5A
	RKR-017	Fuse clip

6.9 PLAYBACK AMPLIFIER ASSEMBLY (RWF-081)





Parts List of Playback Amplifier Assembly (RWF-081)

TRANSFORMERS

Symbol	Part No.	Description
T101	RTV-009	Matching transformer
T102	RTV-009	Matching transformer

CAPACITORS

Symbol	Part No.	Description
C101	RCE-004	Styrol 56p 50V
C102	RCE-004	Styrol 56p 50V
C103	RCH-027	Electrolytic 22 16V
C104	RCH-027	Electrolytic 22 16V
C105	CCDSL 101K 50	Ceramic 100p 50V
C106	CCDSL 101K 50	Ceramic 100p 50V
C107	CEA 101P 10	Electrolytic 100 10V
C108	CEA 101P 10	Electrolytic 100 10V
C109	CCDSL 150K 50	Ceramic 15p 50V
C110	CCDSL 150K 50	Ceramic 15p 50V
C111	CEA 4R7P 35	Electrolytic 4.7 35V
C112	CEA 4R7P 35	Electrolytic 4.7 35V
C113	QMA 682K 50	Mylar 0.0068 50V
C114	QMA 682K 50	Mylar 0.0068 50V
C115	CKDYF 473Z 50	Ceramic 0.047 50V
C116	CKDYF 473Z 50	Ceramic 0.047 50V
C117	CEA 010P 50	Electrolytic 1 50V
C118	CEA 010P 50	Electrolytic 1 50V
C119	CCDSL 220K 50	Ceramic 22p 50V
C120	CCDSL 220K 50	Ceramic 22p 50V
C121	CEA 4R7P 35	Electrolytic 4.7 35V
C122	CEA 4R7P 35	Electrolytic 4.7 35V
C123	CEA 4R7P 35	Electrolytic 4.7 35V
C124	CEA 4R7P 35	Electrolytic 4.7 35V
C125	CEA 220P 35	Electrolytic 22 35V
C126	CEA 220P 35	Electrolytic 22 35V
C127	CEA 2R2P 50	Electrolytic 2.2 50V
C128	CEA 2R2P 50	Electrolytic 2.2 50V
C129	CEA 220P 10	Electrolytic 22 10V
C130	CEA 220P 10	Electrolytic 22 10V
C131	CKDYF 473Z 50	Ceramic 0.047 50V
C132	CEA 100P 35	Electrolytic 10 35V
C133	CEA 101P 35	Electrolytic 100 35V
C134	CKDYF 473Z 50	Ceramic 0.047 50V
C135	CKDYF 473Z 50	Ceramic 0.047 50V
C136	CKDYF 473Z 50	Ceramic 0.047 50V

RESISTORS

Symbol	Part No.	Description
VR101	C92-857	Semi-fixed 22k-B
VR102	C92-857	Semi-fixed 22k-B
VR103	C81-426	Semi-fixed 33k-B

SEMICONDUCTORS

Symbol	Part No.	Description
VR104	C81-426	Semi-fixed 22k-B
VR105	RCP-001	Semi-fixed 10k-B
VR106	RCP-001	Semi-fixed 10k-B
R101	RD½PS 104J	Carbon film 100k
R102	RD½PS 104J	Carbon film 100k
R103	RD½PS 824J	Carbon film 820k
R104	RD½PS 824J	Carbon film 820k
R105	RD½PS 221J	Carbon film 220
R106	RD½PS 221J	Carbon film 220
R107	RD½PS 394J	Carbon film 390k
R108	RD½PS 394J	Carbon film 390k
R109	RD½PS 472J	Carbon film 4.7k
R110	RD½PS 472J	Carbon film 4.7k
R111	RD½PS 105J	Carbon film 1M
R112	RD½PS 105J	Carbon film 1M
R113	RD½PSF 331J	Carbon film 330
R114		
R115	RD½PS 473J	Carbon film 47k
R116	RD½PS 473J	Carbon film 47k
R117	RD½PS 474J	Carbon film 470k
R118	RD½PS 474J	Carbon film 470k
R119	RD½PS 473J	Carbon film 47k
R120	RD½PS 473J	Carbon film 47k
R121	RD½PS 393J	Carbon film 39k
R122	RD½PS 393J	Carbon film 39k
R123	RD½PS 471J	Carbon film 470
R124	RD½PS 471J	Carbon film 470
R125	RD½PS 332J	Carbon film 3.3k
R126	RD½PS 332J	Carbon film 3.3k
R127	RD½PS 512J	Carbon film 5.1k
R128	RD½PS 512J	Carbon film 5.1k
R129	RD½PS 103J	Carbon film 10k
R130	RD½PS 103J	Carbon film 10k
R131	RD½PS 102J	Carbon film 1k
R132	RD½PS 102J	Carbon film 1k
R133	RD½PS 513J	Carbon film 51k
R134	RD½PS 513J	Carbon film 51k
R135	RS1P 102J	Metal oxide 1k 1W
R136	RS1P 102J	Metal oxide 1k 1W
R137	RD½PS 680J	Carbon film 68
R138	RD½PS 680J	Carbon film 68
R139	RD½PS 104J	Carbon film 100k
R140	RD½PS 104J	Carbon film 100k

Symbol	Part No.	Description
IC101	TA7129P	IC
IC102	TA7129P	IC
Q101	2SK30A-Y or O	FET
Q102	2SK30A-Y or O	FET
Q103	2SC1344-D or E	Transistor
Q104	2SC1344-D or E	Transistor
Q105	2SA721-T or U	Transistor
Q106	2SA721-T or U	Transistor
Q107	2SC1213-B or C	Transistor
Q108	2SC1213-B or C	Transistor
D101	IN34A	Diode
D102	IN34A	Diode
D103	IN34A	Diode
D104	IN34A	Diode
D105	1S2473	Diode

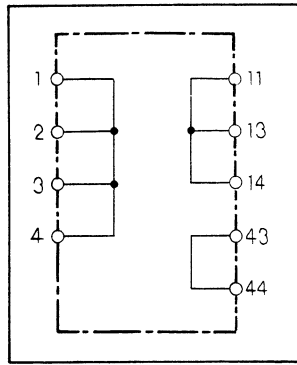
OTHER

Symbol	Part No.	Description
	RKB-011	4P pinjack

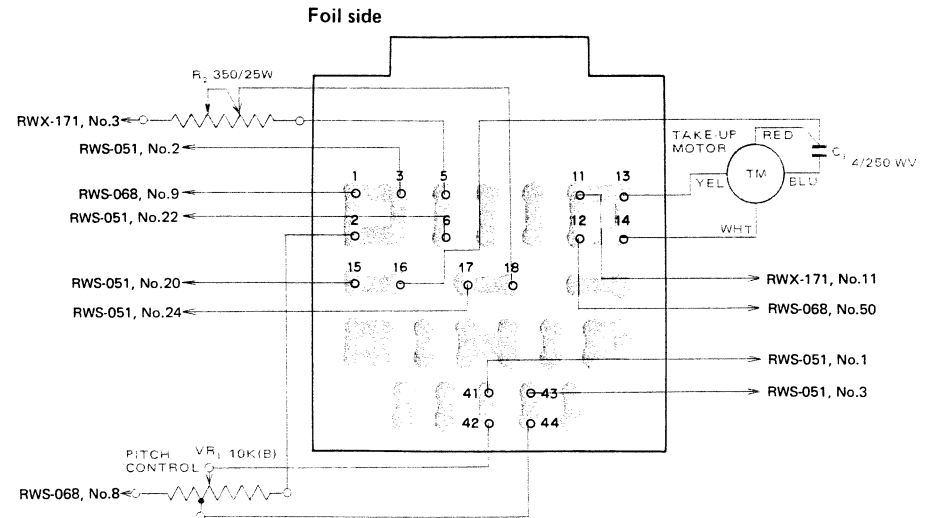
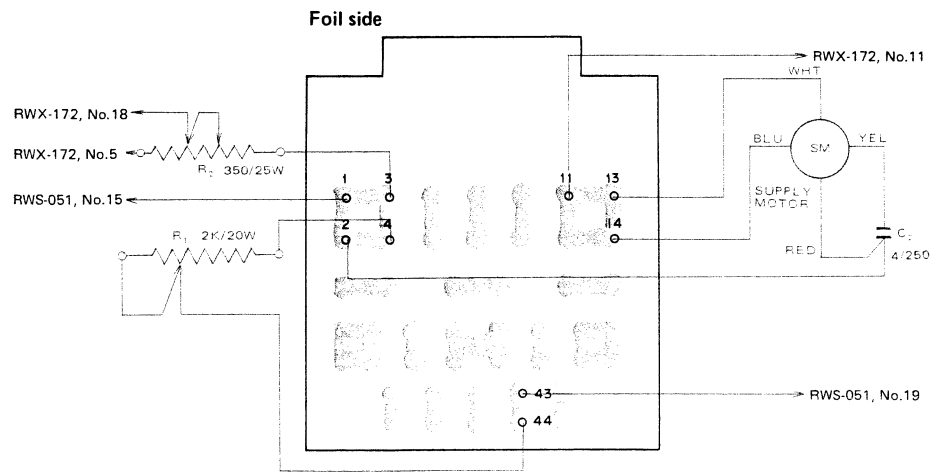
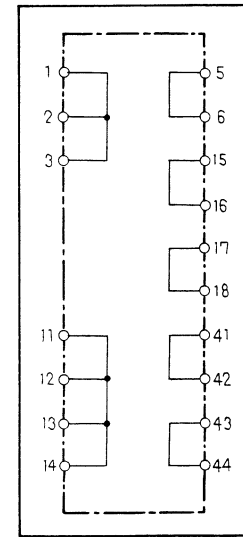
List of Changed Parts for Factory Modification

Symbol	Part No.	Description

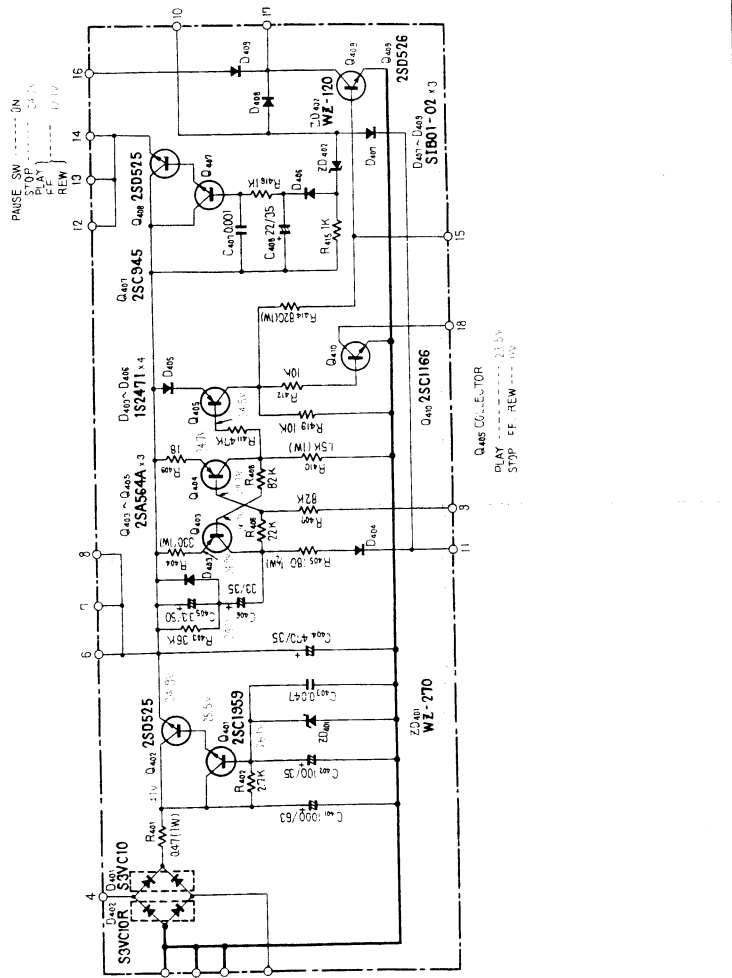
6.10 CONNECTOR ASSEMBLY L (RWX-171)



6.11 CONNECTOR ASSEMBLY R (RWX-172)



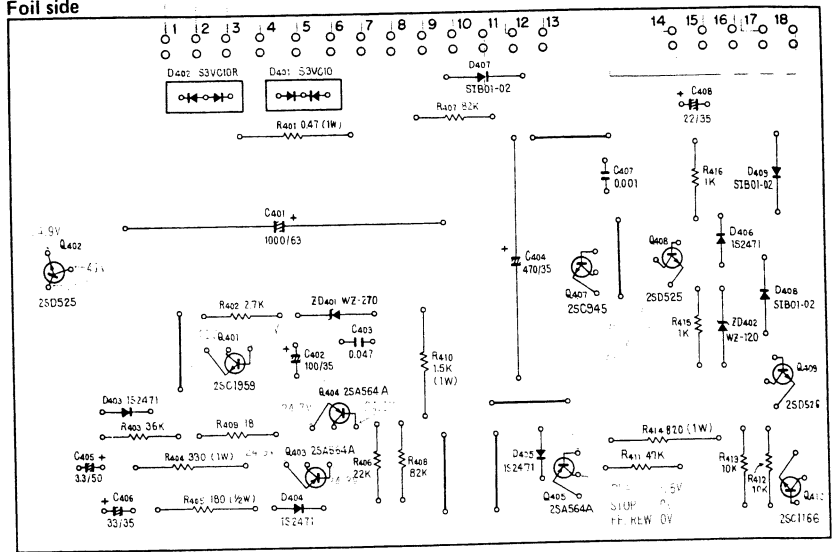
6.12 CONTROL ASSEMBLY (RWG-070)



- RWS-051, No.51
- RWS-051, No.46
- RWX-142, No.1
- RWS-051, No.28
- RWS-068, No.5
- RWS-068, No.32
- RWS-068, No.28
- RWS-068, No.7
- RWS-051, No.47

RWS-051, No.27
RWS-051, No.45

Foil side



Parts List

CAPACITORS

Symbol	Part No.	Description		
C401	CEB 102P 63	Electrolytic	1 000	63V
C402	CEA 101P 35	Electrolytic	100	35V
C403	QOMA 473K 50	Mylar	0.047	50V
C404	CEB 471P 35	Electrolytic	470	35V
C405	CEA 3R3P 50	Electrolytic	3.3	50V
C406	CEA 330P 35	Electrolytic	33	35V
C407	QOMA 102K 50	Mylar	0.001	50V
C408	CEA 220P 35	Electrolytic	22	35V

Symbol	Part No.	Description
D406	1S2471	Diode
D407	SIB01-02	Diode
D408	SIB01-02	Diode
D409	SIB01-02	Diode
ZD401	WZ-270	Zener Diode
ZD402	WZ-120	Zener Diode

OTHERS

Symbol	Part No.	Description
	RNF-083	Heat sink
	REE-051	Insulator spacer
	AKH-002	Tr socket

RESISTORS

Symbol	Part No.	Description		
R401	RN1PSF R47J	Metal film	0.47	1W
R402	RD½PS 272J	Carbon film	2.7k	
R403	RD½PS 363J	Carbon film	36k	
R404	RS1PSF 331J	Metal oxide	330	1W
R405	RD½PSF 181J	Carbon film	180	½W
R406	RD½PS 223J	Carbon film	22k	
R407	RD½PS 823J	Carbon film	82k	
R408	RD½PS 823J	Carbon film	82k	
R409	RD½PS 180J	Carbon film	18	
R410	RS1P 152J	Metal oxide	1.5k	1W
R411	RD½PS 473J	Carbon film	47k	
R412	RD½PS 103J	Carbon film	10k	
R414	RS1P 821J	Metal oxide	820	1W
R415	RD½PS 102J	Carbon film	1k	
R416	RD½PS 102J	Carbon film	1k	
R419	RD½PS 103J	Carbon film	10k	

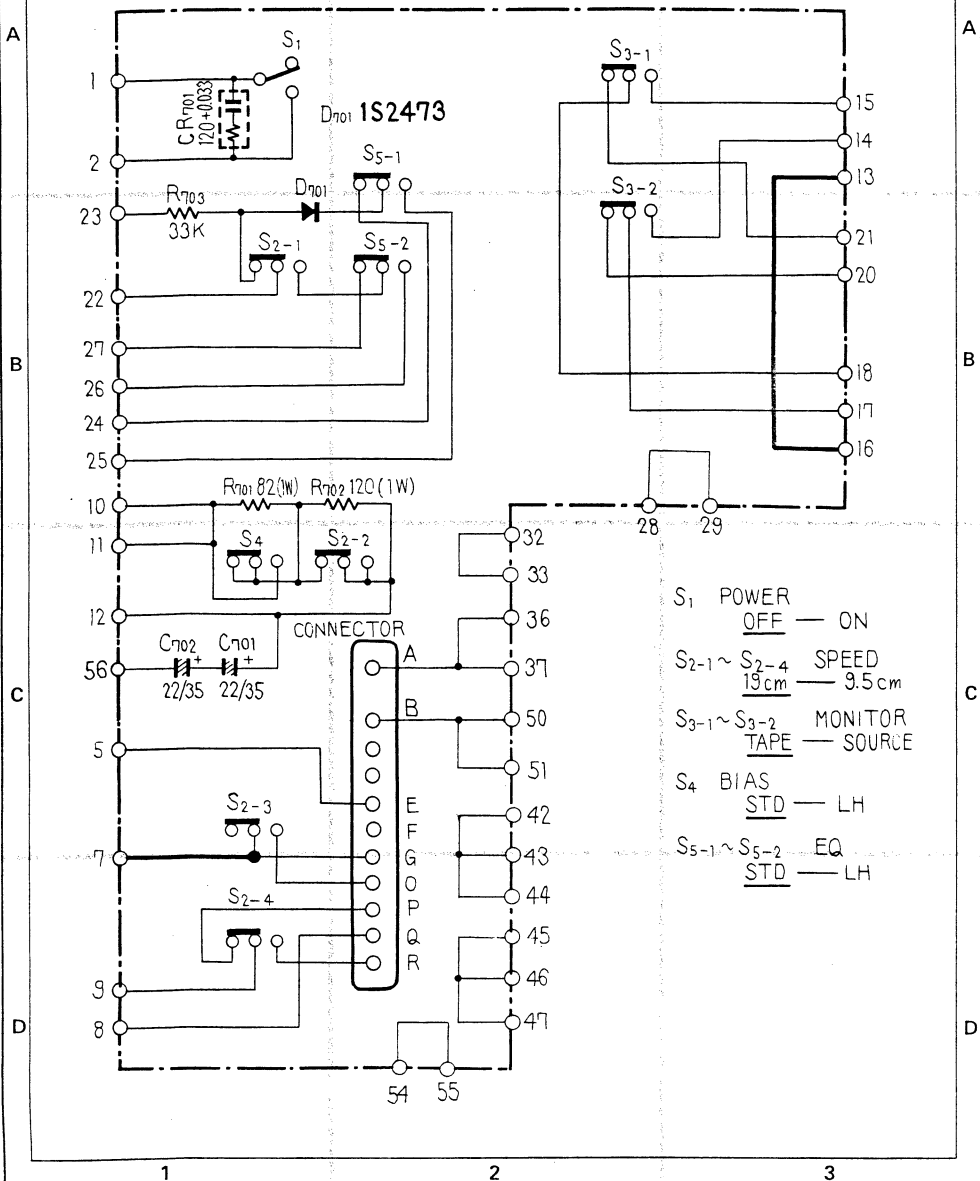
List of Changed Parts for Factory Modification

Symbol	Part No.	Description

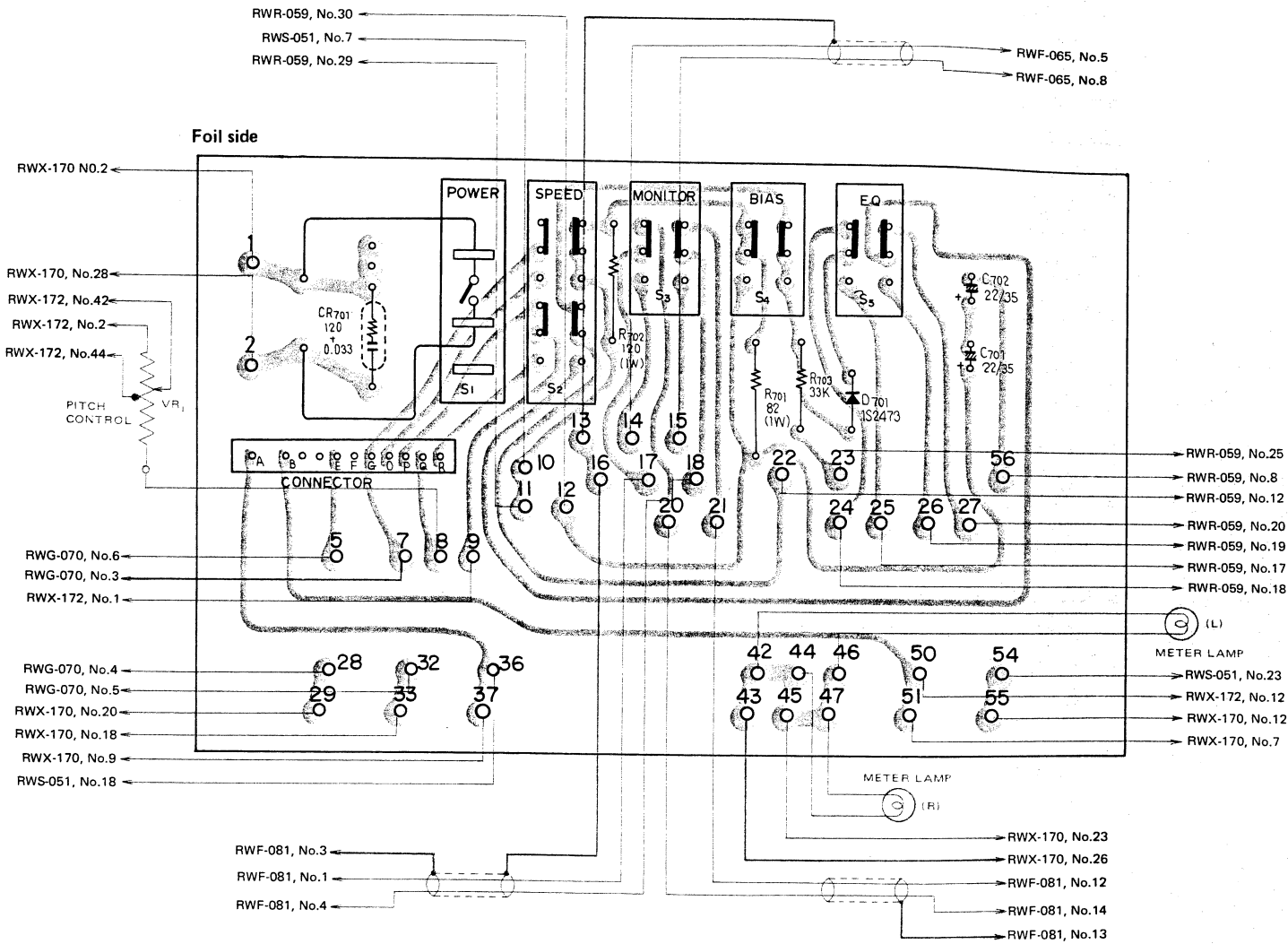
SEMICONDUCTORS

Symbol	Part No.	Description
Q401	2SC1959-Y	Transistor
Q402	2SD525-O or Y	Transistor
Q403	2SA564A-R or S	Transistor
Q404	2SA564A-R or S	Transistor
Q405	2SA564A-R or S	Transistor
Q407	2SC945-P or Q	Transistor
Q408	2SD525-O or Y	Transistor
Q409	2SD526-O or Y	Transistor
Q410	2SC1166-O or Y	Transistor
D401	S3VC10	Diode
D402	S3VC10R	Diode
D403	1S2471	Diode
D404	1S2471	Diode
D405	1S2471	Diode

6.13 SWITCH ASSEMBLY (RWS-067... KC type)
(RWS-068... KU type)



- S₁ POWER
OFF — ON
- S₂₋₁ ~ S₂₋₄ SPEED
19cm — 9.5cm
- S₃₋₁ ~ S₃₋₂ MONITOR
TAPE — SOURCE
- S₄ BIAS
STD — LH
- S₅₋₁ ~ S₅₋₂ EQ
STD — LH



Parts List

CAPACITORS

Symbol	Part No.	Description
C701	CEA 220P 35	Electrolytic 22 35V
C702	CEA 220P 35	Electrolytic 22 35V

RESISTORS

Symbol	Part No.	Description
R701	RS1P 820J	Metal oxide 82 1W
R702	RS1P 121J	Metal oxide 120 1W
R703	RD4PS 333J	Carbon film 33k

SWITCHES

Symbol	Part No.	Description
S1	RSG-049	Push switch
S2	RSG-049	Push switch
S3	RSG-049	Push switch
S4	RSG-049	Push switch
S5	RSG-049	Push switch

OTHERS

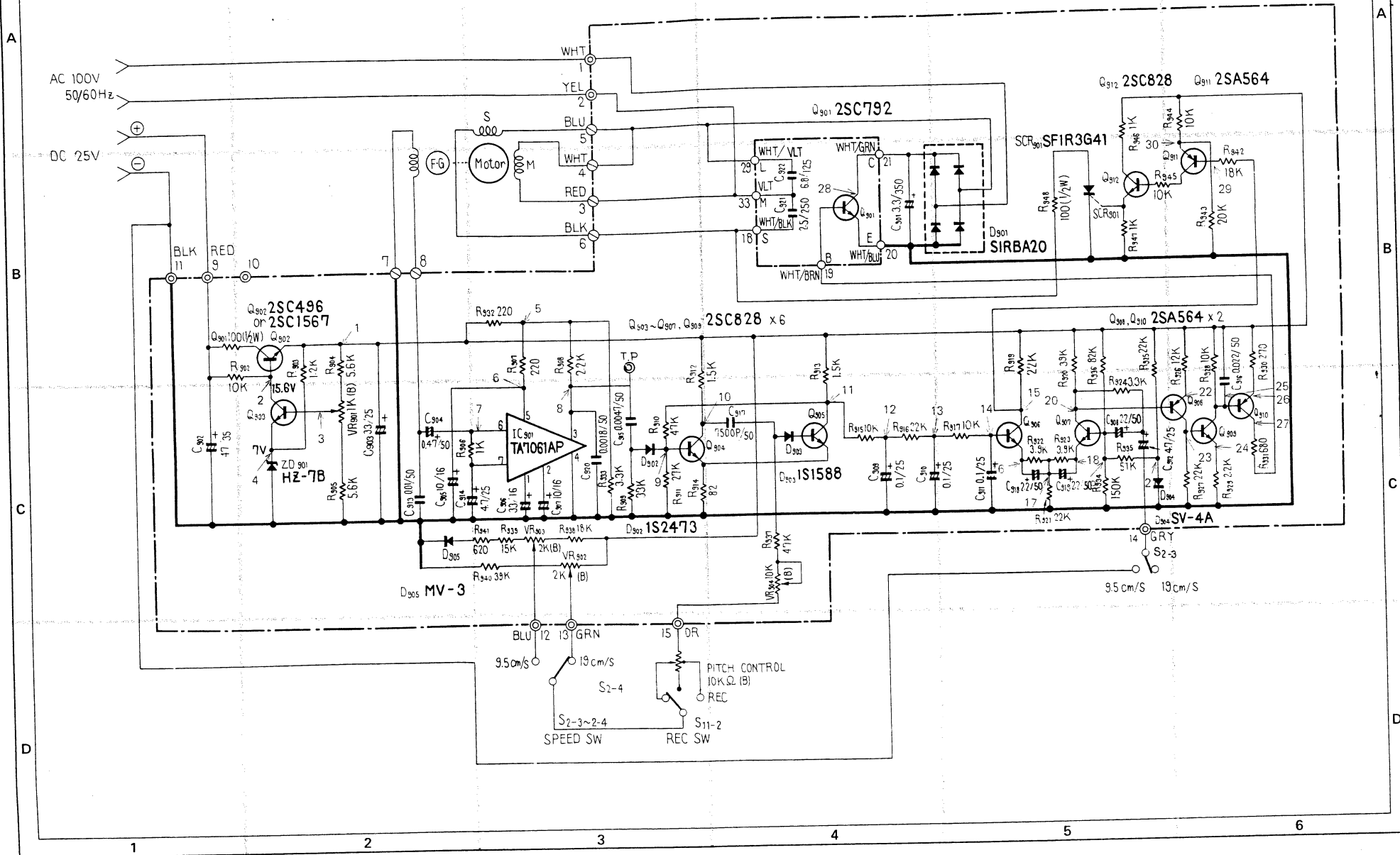
Symbol	Part No.	Description
CR701	RWX-148	Spark killer (KC)
CR701	RWX-150	Spark killer (KC)
CR701	RWX-109	Spark killer (KU)
	RKP-018	Connector

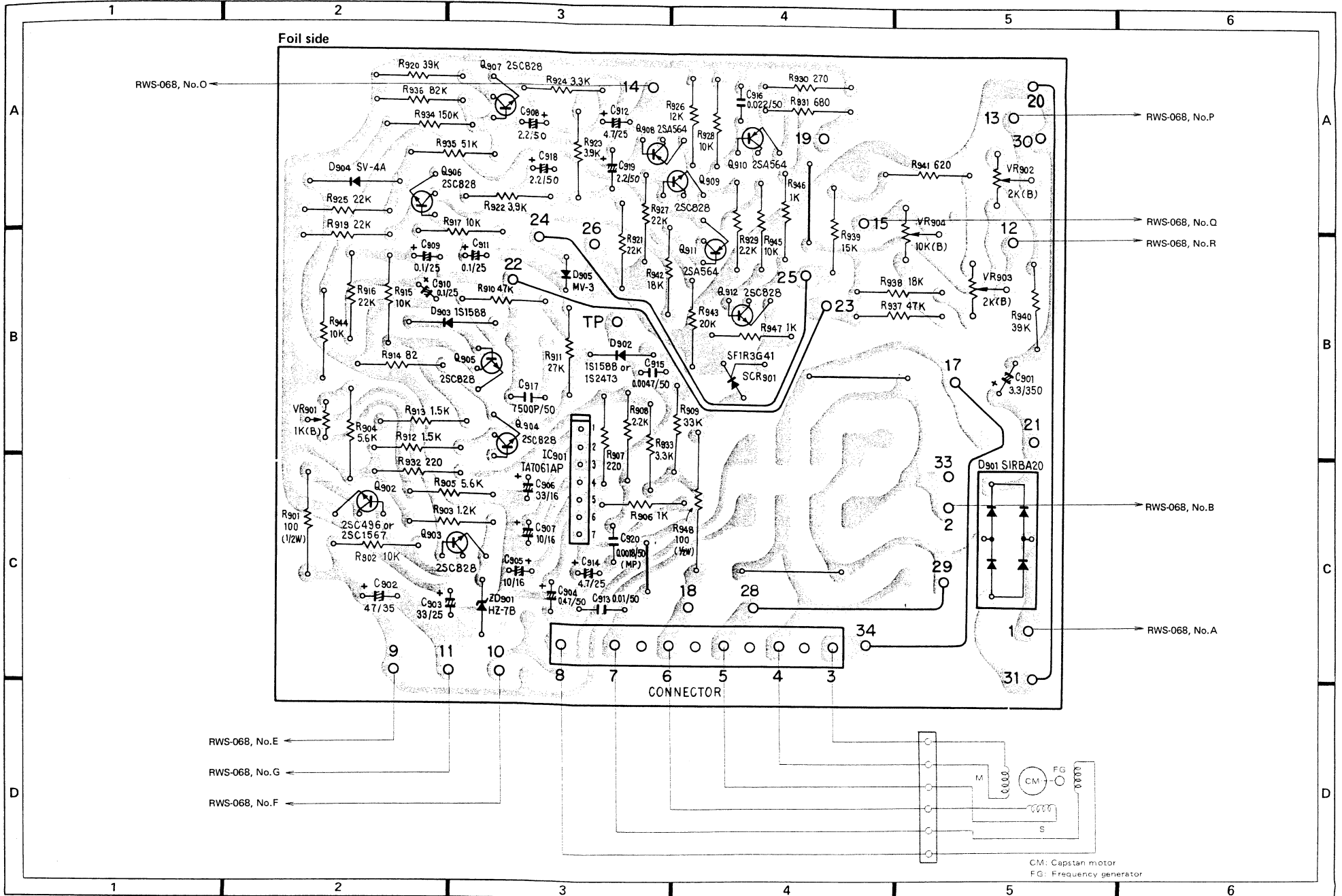
List of Changed Parts for Factory Modification

Symbol	Description	Part No.

6.14 SERVO AMPLIFIER ASSEMBLY (RWG-068)

NOTE:
The voltage at each measure points are indicated in page 61.





The Measurement Voltage of Servo Amplifier (RWG-068)

- The number of measurement points are indicated on page 57.
- The motor is non load situation.
- Prepare the high input impedance meter to measure the points 13 ~ 22.

Measurement point	Measurement Voltage (V)
1	15.0
2	15.6
3	7.7
4	7.0
5	10.8
6	7.6
7	2.0 (DC ingredient)
8	Fig. 3
9	Fig. 4
10	Fig. 5
11	Fig. 6
12	Fig. 7
13	6.1 (DC ingredient)
14	6.1 (DC ingredient)
15	10.8
16	5.6
17	4.8
18	4.9
19	5.5
20	14.1
21	1.42
22	14.8
23	0.7 (0.66)
24	0.14 (0.11)
25	14.6 (14.7)
26	0.71 (0.56)
27	15
28	Fig. 8
29	10.8
30	10.1

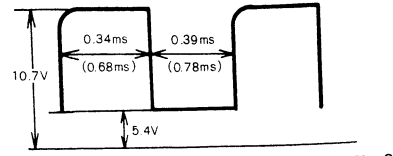


Fig. 3

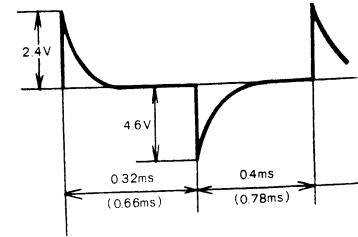


Fig. 4

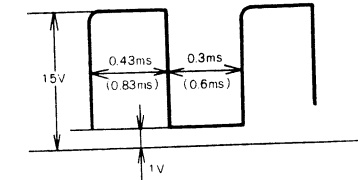


Fig. 5

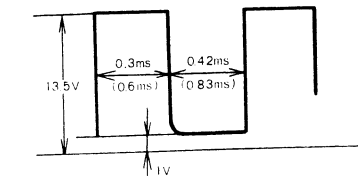


Fig. 6

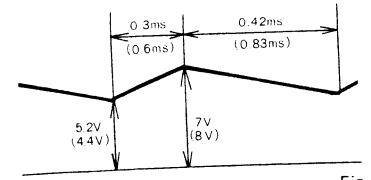


Fig. 7

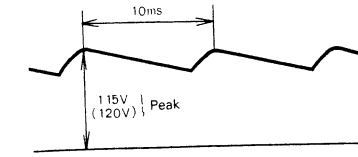


Fig. 8

Parts List of Servo Amplifier Assembly (RWG-068)

CAPACITORS

Symbol	Part No.	Description		
C901	RCH-029	Electrolytic	3.3	350V
C902	CEA 470P 35	Electrolytic	47	35V
C903	CEA 330P 25	Electrolytic	33	25V
C904	CEA 0R47P 50	Electrolytic	0.47	50V
C905	CEA 100P 16	Electrolytic	10	16V
C906	CEA 330P 16	Electrolytic	33	16V
C907	CEA 100P 16	Electrolytic	10	16V
C908	RCH-032	Electrolytic	2.2	50V
C909	CSSA 0R1M 25	Electrolytic	0.1	25V
C910	CSSA 0R1M 25	Electrolytic	0.1	25V
C911	CSSA 0R1M 25	Electrolytic	0.1	25V
C912	RCH-033	Electrolytic	4.7	25V
C913	CQMA 103K 50	Mylar	0.01	50V
C914	CEA 4R7P 25	Electrolytic	4.7	25V
C915	CQMA 472K 50	Mylar	0.0047	50V
C916	CQMA 223K 50	Mylar	0.022	50V
C917	RCE-027	Styrol	0.0075	50V
C918	RCH-032	Electrolytic	2.2	50V
C919	RCH-032	Electrolytic	2.2	50V
C920	CQMA 182K 50	Mylar	0.0018	50V
C921		Metallized paper	2.5	250V
C922		Electrolytic	6.8	125V

RESISTORS

Symbol	Part No.	Description		
VR901	RCP-036	Semi-fixed	1k-B	
VR902	RCP-034	Semi-fixed	2k-B	
VR903	RCP-034	Semi-fixed	2k-B	
VR904	RCP-035	Semi-fixed	10k-B	
R901	RD¼PSF 101K	Carbon film	100	¼W
R902	RD¼PSF 103K	Carbon film	10k	
R903	RD¼PS 122J	Carbon film	1.2k	
R904	RD¼PS 562J	Carbon film	5.6k	
R905	RD¼PS 562J	Carbon film	5.6k	
R906	RD¼PS 102J	Carbon film	1k	
R907	RD¼PS 221J	Carbon film	220	
R908	RD¼PS 222J	Carbon film	2.2k	
R909	RD¼PS 333J	Carbon film	33k	
R910	RD¼PS 473J	Carbon film	47k	
R911	RD¼PS 273J	Carbon film	27k	
R912	RD¼PS 152J	Carbon film	1.5k	
R913	RD¼PS 152J	Carbon film	1.5k	
R914	RD¼PS 820J	Carbon film	82	
R915	RD¼PS 103J	Carbon film	10k	
R916	RD¼PS 223J	Carbon film	22k	
R917	RD¼PS 103J	Carbon film	10k	
R918

Symbol	Part No.	Description	
R919	RD¼PS 223J	Carbon film	22k
R920	RD¼PS 393J	Carbon film	39k
R921	RD¼PS 223J	Carbon film	22k
R922	RD¼PS 392J	Carbon film	3.9k
R923	RD¼PS 392J	Carbon film	3.9k
R924	RD¼PS 332J	Carbon film	3.3k
R925	RD¼PS 223J	Carbon film	22k
R926	RD¼PS 123J	Carbon film	12k
R927	RD¼PS 223J	Carbon film	22k
R928	RD¼PS 103J	Carbon film	10k
R929	RD¼PS 222J	Carbon film	2.2k
R930	RD¼PS 271J	Carbon film	270
R931	RD¼PS 681J	Carbon film	680
R932	RD¼PS 221J	Carbon film	220
R933	RD¼PS 332J	Carbon film	3.3k
R934	RD¼PS 154J	Carbon film	150k
R935	RN¼PS 513G	Metal film	51k
R936	RN¼PS 823G	Metal film	82k
R937	RN¼PS 473G	Metal film	47k
R938	RN¼PS 183G	Metal film	18k
R939	RN¼PS 153G	Metal film	15k
R940	RN¼PS 393G	Metal film	39k
R941	RD¼PS 621J	Carbon film	620
R942	RD¼PS 183J	Carbon film	18k
R943	RD¼PS 203J	Carbon film	20k
R944	RD¼PS 103J	Carbon film	10k
R945	RD¼PS 103J	Carbon film	10k
R946	RD¼PS 102J	Carbon film	1k
R947	RD¼PS 102J	Carbon film	1k
R948	RD¼PSF 101K	Carbon film	100 ½W

Symbol	Part No.	Description
D901	SIRBA 20	Diode
D902	1S1588 or 1S2473	Diode
D903	1S1588	Diode
D904	SV-4A	Diode
D905	MV-3	Diode
ZD901	HZ-7B	Zener diode
SCR901	SFIR3G41	Thyristor

OTHERS

Symbol	Part No.	Description
	AKH-001	Tr socket
	RKP-019	Connector socket assembly
	RKP-020	Connector
	REC-247	Insulator sheet

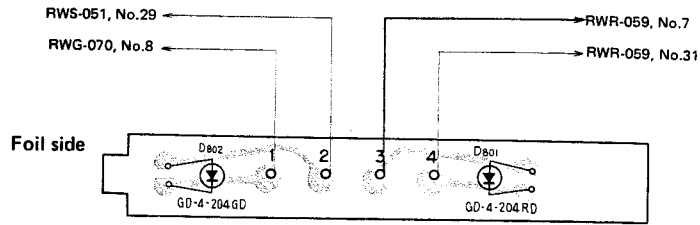
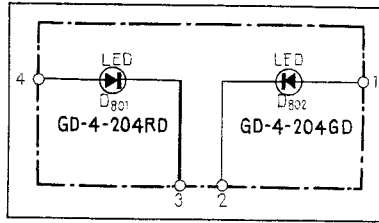
List of Changed Parts for Factory Modification

Symbol	Part No.	Description
--------	----------	-------------

SEMICONDUCTORS

Symbol	Part No.	Description
IC901	TA7061 AP	IC
Q901	2SC792	Transistor
Q902	2SC496 Y or O or 2SC1567-R or S	Transistor
Q903	2SC828 R	Transistor
Q904	2SC828 R	Transistor
Q905	2SC828 R	Transistor
Q906	2SC828 R	Transistor
Q907	2SC828 R	Transistor
Q908	2SA564 Q	Transistor
Q909	2SC828 R	Transistor
Q910	2SA564 Q	Transistor
Q911	2SA564 Q	Transistor
Q912	2SC828 R	Transistor

6.15 INDICATOR ASSEMBLY (RWX-142)



3-MOTOR 4-HEAD TAPE DECK
RT-707
 KCU

Parts List

Symbol	Part No.	Description
D801	GD-4-204RD	Light emitting diode
D802	GD-4-204GD	Light emitting diode
	REB-204	Diode holder

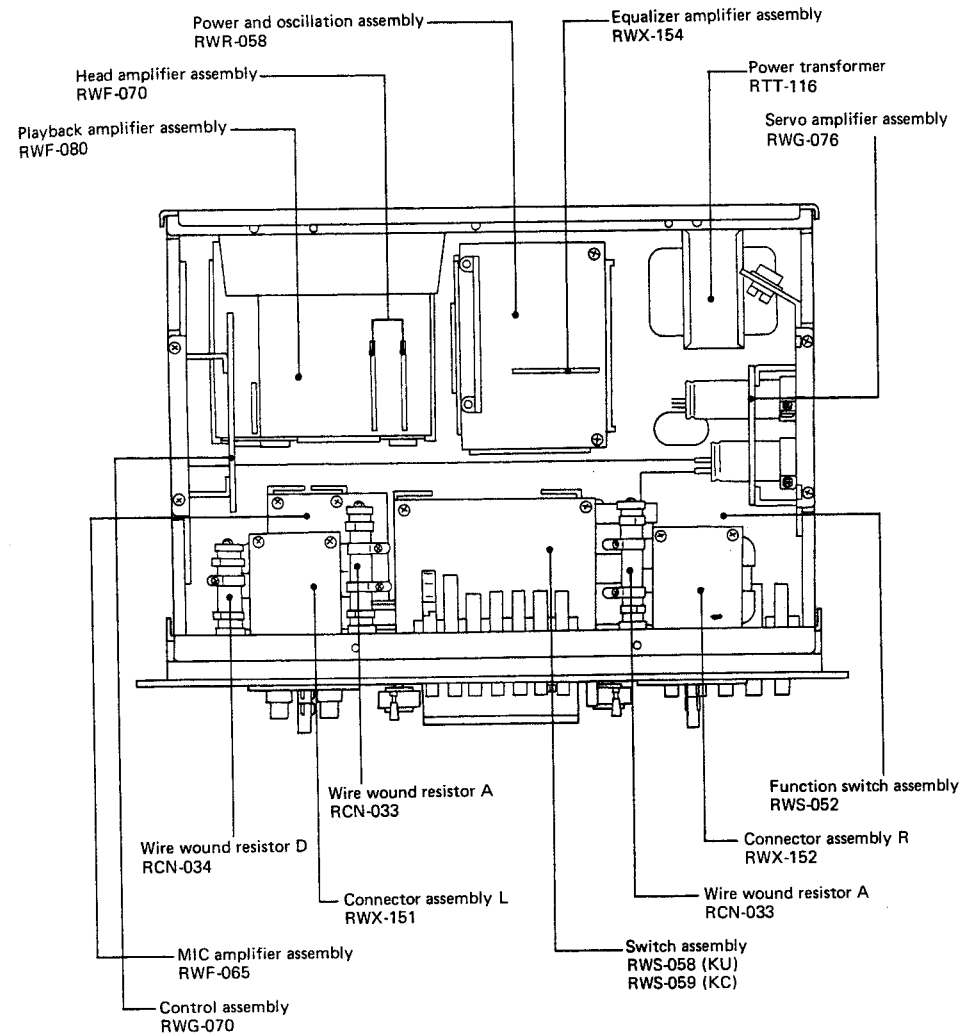
CONTENTS

RT-707/KCU

1. PARTS LOCATION	67
2. LEVEL DIAGRAM	68
3. BLOCK DIAGRAM	69
4. CIRCUIT DESCRIPTIONS	
4.1 Playback Amplifier	71
4.2 Bias Oscillator	71
4.3 Control Circuit	72
5. EXPLODED VIEWS	73
6. SCHEMATIC DIAGRAMS, P.C. BOARD PATTERNS AND PARTS LIST	
6.1 Miscellaneous Parts List	84
6.2 Connection Diagram	85
6.3 Schematic Diagram	87
6.4 Equalizer Amplifier Assembly (RWX-154)	89
6.5 Playback Amplifier Assembly (RWF-080)	91
6.6 Connector Assembly L (RWX-151)	97
6.7 Connector Assembly R (RWX-152)	98
6.8 Power and Oscillation Assembly (RWR-058)	99
6.9 Head Amplifier Assembly (RWF-070)	105
6.10 Servo Amplifier Assembly (RWG-076)	107
6.11 Function Switch Assembly (RWS-052)	114
6.12 Switch Assembly (RWS-058 ... KU)	117
(RWS-059 ... KC)	

1. PARTS LOCATION

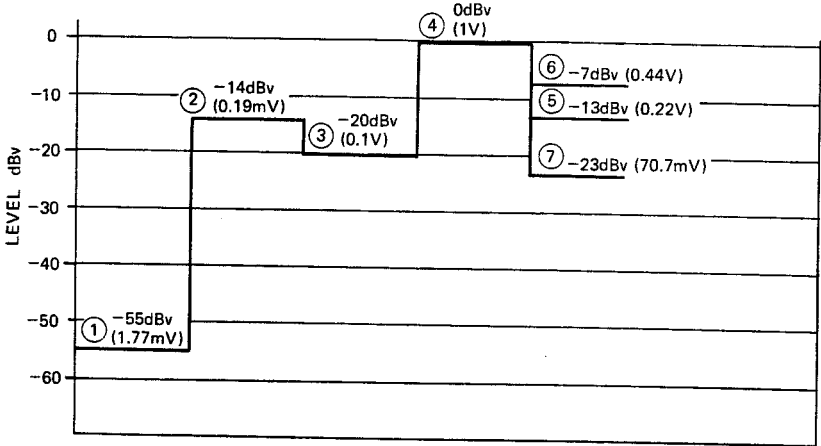
Top View With Bonnet Removed



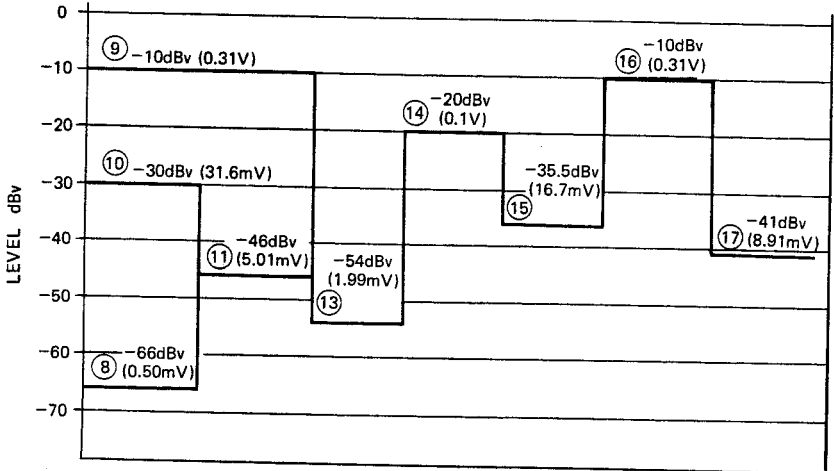
2. LEVEL DIAGRAM

NOTES:
 $0dBu = 1V$
 Frequency: 1kHz
 The level measurement points are indicated on the block diagram.

[PLAYBACK]

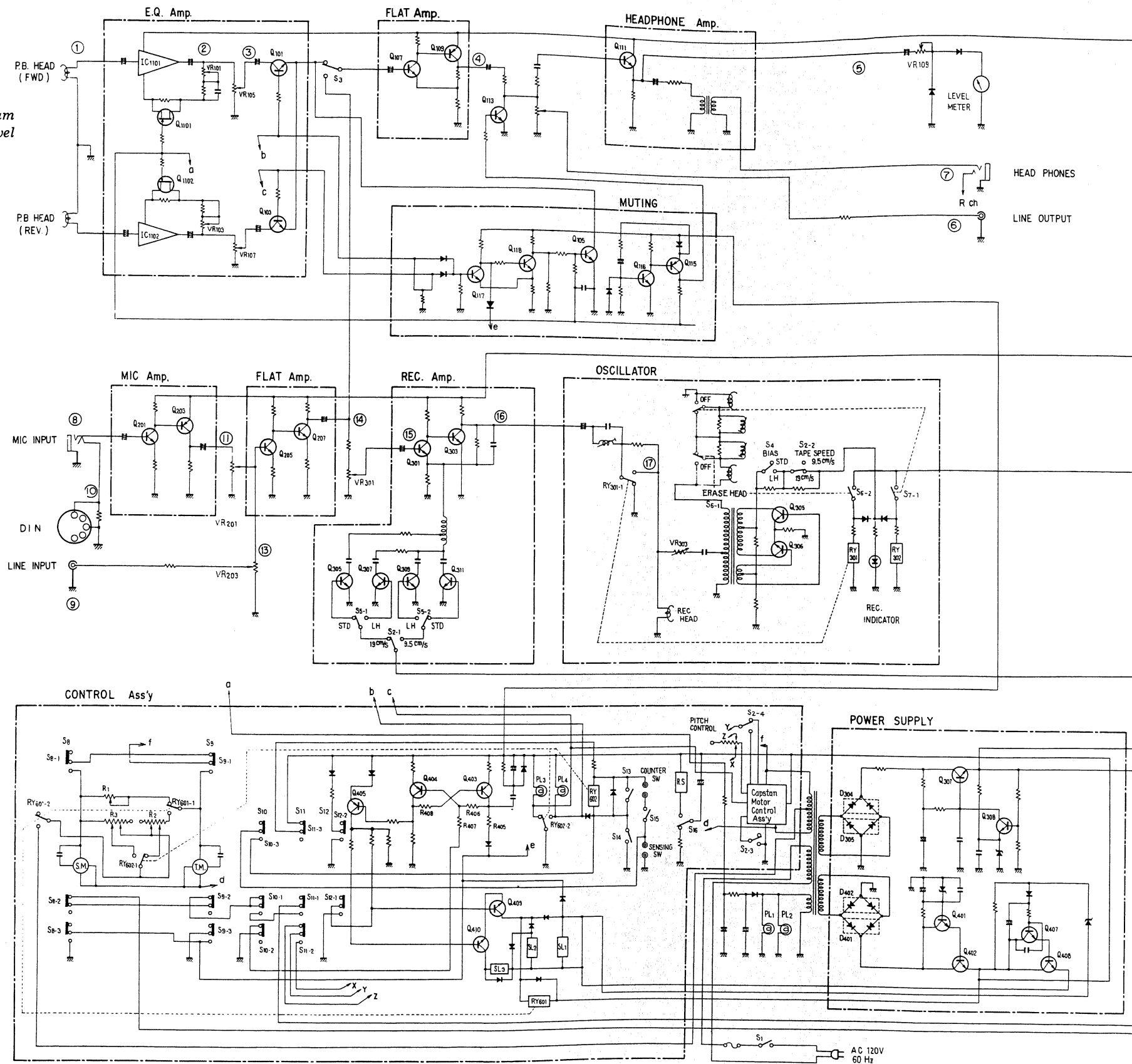


[RECORDING]



3. BLOCK DIAGRAM

NOTE:
The number which are circled in the block diagram indicated the points which are to be measured in the level diagram.



- SWITCHES**
- S1 : POWER
 - S2 : SPEED
 - S3 : MONITOR
 - S4 : BIAS
 - S5 : E Q
 - S6 : RECORD LEFT
 - S7 : RECORD RIGHT
 - S8 : REW
 - S9 : FWD
 - S10 : PLAY
 - S11 : REC
 - S12 : PAUSE
 - S13 : FWD
 - S14 : REVERSE
 - S15 : REPEAT
 - S16 : SHUT OFF
- RELAYS**
- RY301 : REC LEFT
 - RY302 : REC RIGHT
 - RY601 : PLAY
 - RY602 : DIRECTION
- LAMPS**
- PL1 : LEVEL METER LEFT
 - PL2 : LEVEL METER RIGHT
 - PL3 : FWD INDICATOR
 - PL4 : REVERSE INDICATOR

4. CIRCUIT DESCRIPTIONS

4.1 PLAYBACK AMPLIFIER (Fig. 10)

1. The playback signal from the playback head enters IC₁₁₀₁ through C₁₁₀₃.
2. The amplified output from IC₁₁₀₁ undergoes playback equalization in the equalizer formed by VR₁₀₁, R₁₁₀₉, R₁₁₀₇, C₁₁₁₃.
3. The difference in equalization between 19cm and 9.5cm/s tape speeds is obtained by varying the voltage applied to the gate of FET Q₁₁₀₁ (0.4V for 19cm/s, -8.5V for 9.5cm/s) and utilizing the resultant change in the FET's internal impedance.
4. Downstream from IC₁₁₀₁, the signal path is switched by Q₁₀₁.
The signal is then amplified in the direct coupled NPN-PNP amplifier (Q₁₀₇, Q₁₀₉) and becomes available at the line output terminals.
5. A portion of the output signal undergoes impedance conversion in Q₁₁₁ and matching transformer T₁₀₁ and becomes available at the phones output jack.
6. For driving the level meters, output from Q₁₁₁ is rectified in D₁₀₉, D₁₁₁.

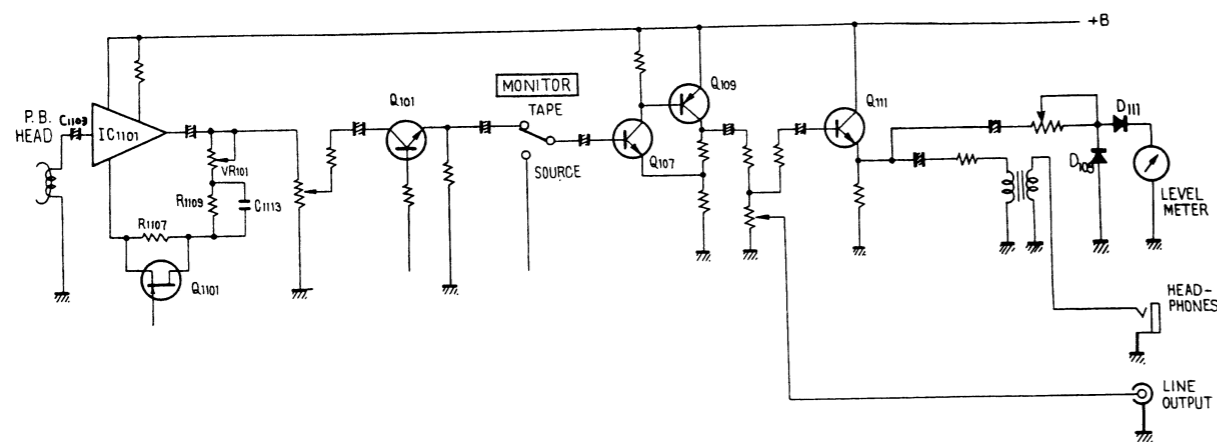


Fig. 10

4.2 BIAS OSCILLATOR (Fig. 9)

1. When +B (approx. 30V) is applied to Q₃₀₅, Q₃₀₆, a positive feedback loop is established through the oscillator transformer T₃₀₁, and oscillation begins.
2. From the secondary side of TR₃₀₁, the oscillation signal is supplied to the erase and recording heads.
3. The oscillation frequency is stabilized against temperature fluctuations by means of thermistor TH₃₀₁ which regulates the base current of Q₃₀₅, Q₃₀₆.
4. In monaural recording, the REC (L) switch S₆₋₂ or REC (R) switch S₇₋₂, respectively, is switched to a dummy coil which maintains uniform load on the oscillator, for stable operation.

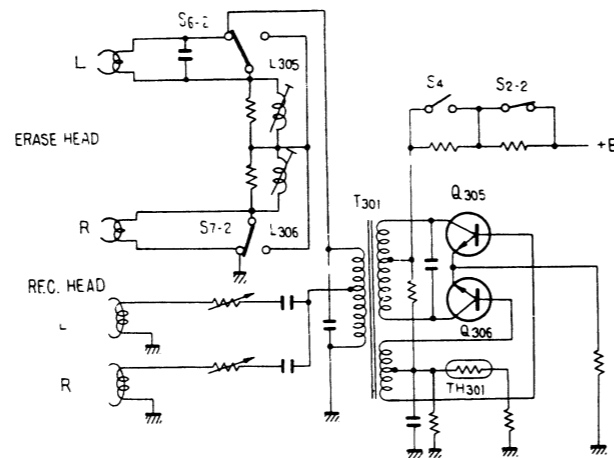


Fig. 9

4.3 CONTROL CIRCUIT

● Play Function (Fig. 11)

1. When the play button S₁₀₋₂ is pushed, ground connection of R₄₀₇ is interrupted and the base circuit of Q₄₀₄ is opened. No current can flow through Q₄₀₄, and it enters OFF state.
2. +B voltage causes current to flow along the route D₄₀₅ → Q₄₀₅ → R₄₁₁ → R₄₁₀, whereby Q₄₀₅ is turned ON.
3. Base current of Q₄₀₉ can flow through R₄₁₄ and transistor becomes ON. The collector current of Q₄₀₉ activates brake solenoid SL₁, pinch solenoid SL₂ and play relay RY₆₀₁.
4. Base current of Q₄₁₀ can flow through R₄₁₂ and transistor becomes ON. Q₄₁₀ collector current activates PAUSE solenoid.

Operation of brake solenoid SL₁ releases the brakes of the supply motor (SM) and take-up motor (TM). Operation of the pinch solenoid SL₂ causes the pinch roller to be pressed against the capstan.

Table 1

Transport Mode	Transistors in ON state	Transistors in OFF state
STOP	Q ₄₀₄	Q ₄₀₃ , Q ₄₀₅ , Q ₄₀₉ , Q ₄₁₀
PLAY	Q ₄₀₃ , Q ₄₀₅ , Q ₄₀₉ , Q ₄₁₀	Q ₄₀₄
FF/REW	Q ₄₀₄	Q ₄₀₃ , Q ₄₀₅ , Q ₄₀₉ , Q ₄₁₀
PAUSE	Q ₄₀₃ , Q ₄₀₅ , Q ₄₁₀	Q ₄₀₄ , Q ₄₀₉

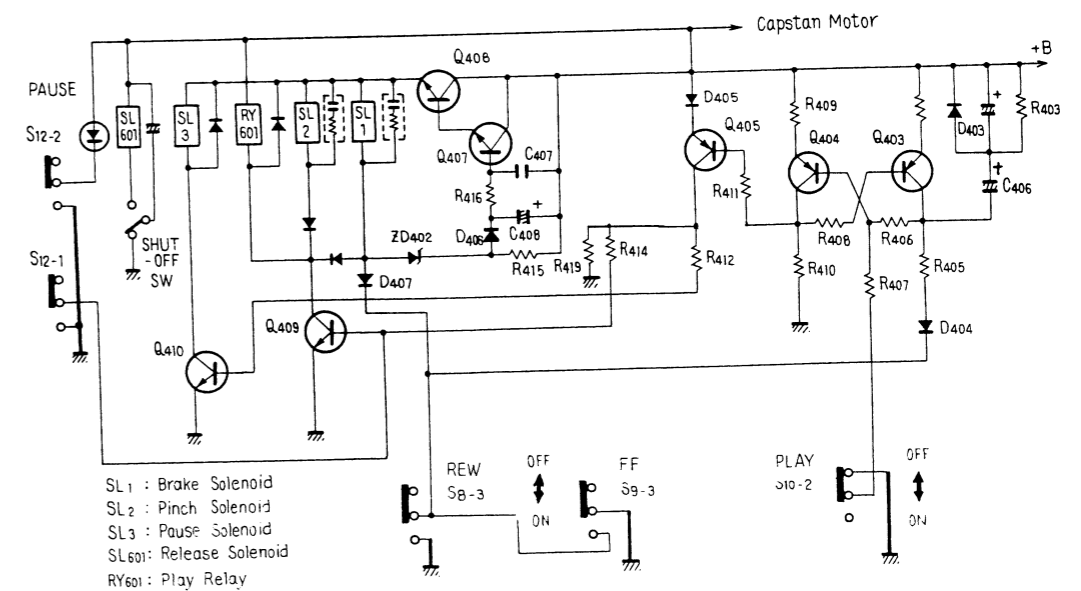
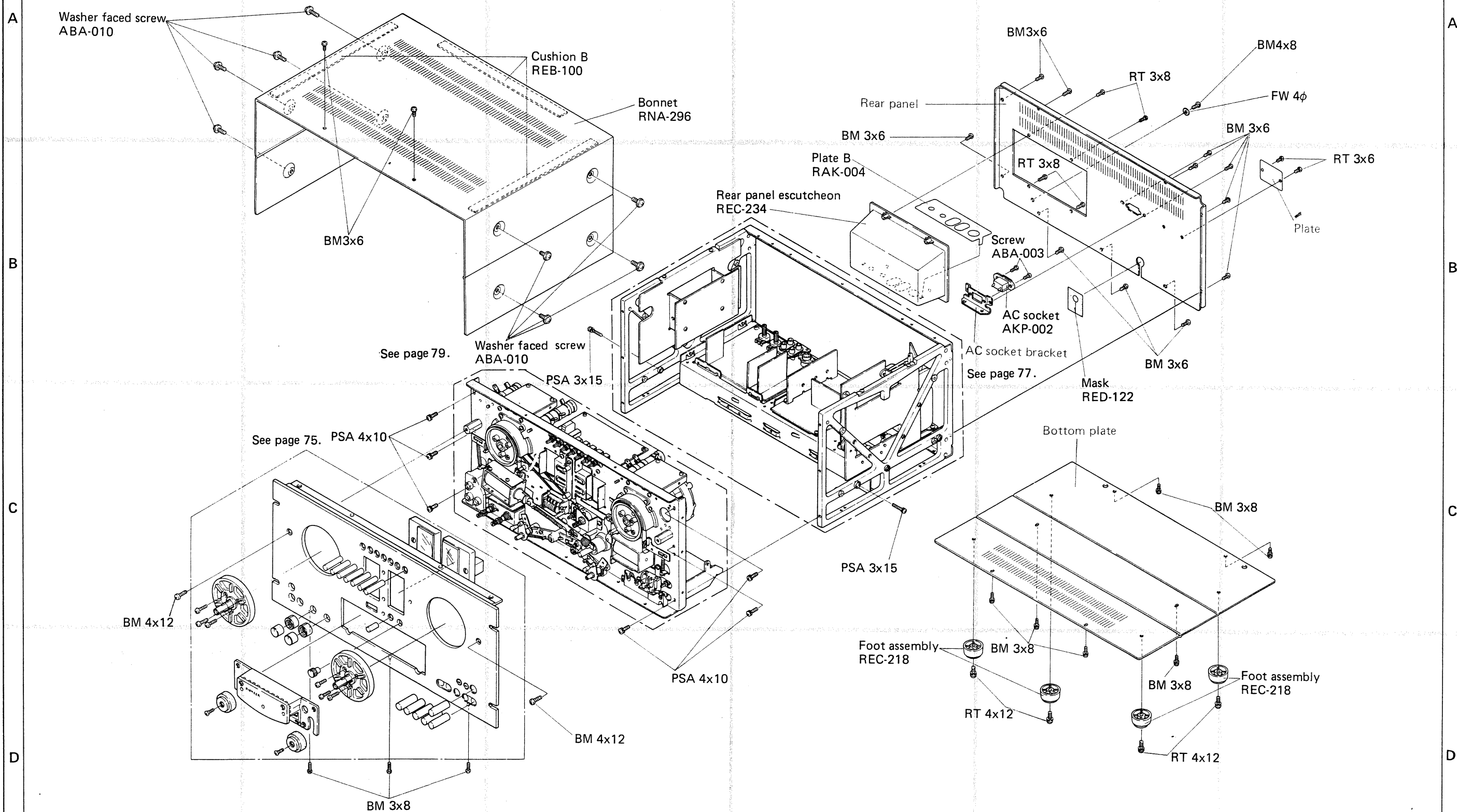


Fig. 11

5. EXPLODED VIEWS

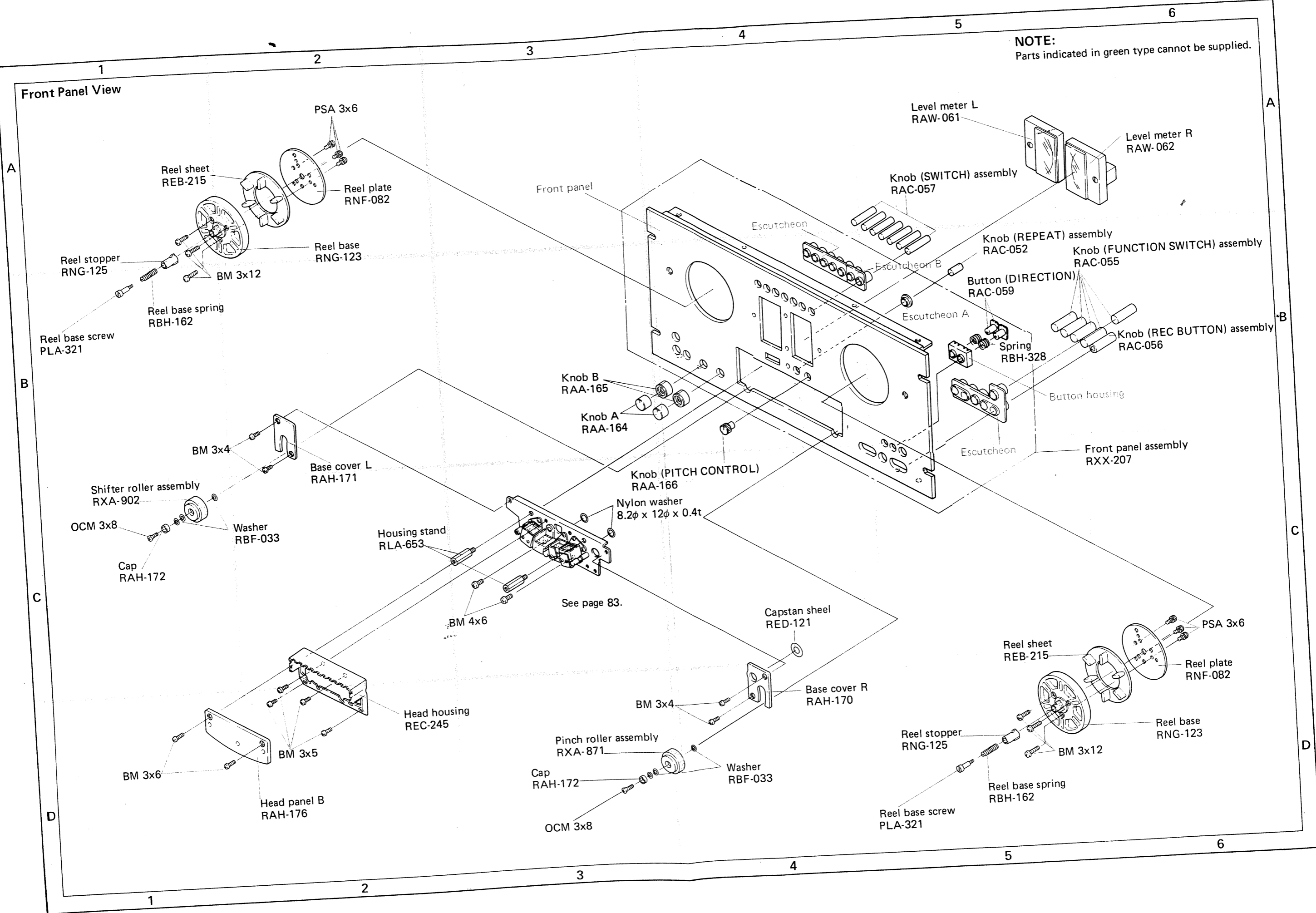
NOTE:
Parts indicated in green type cannot be supplied.

External View



Front Panel View

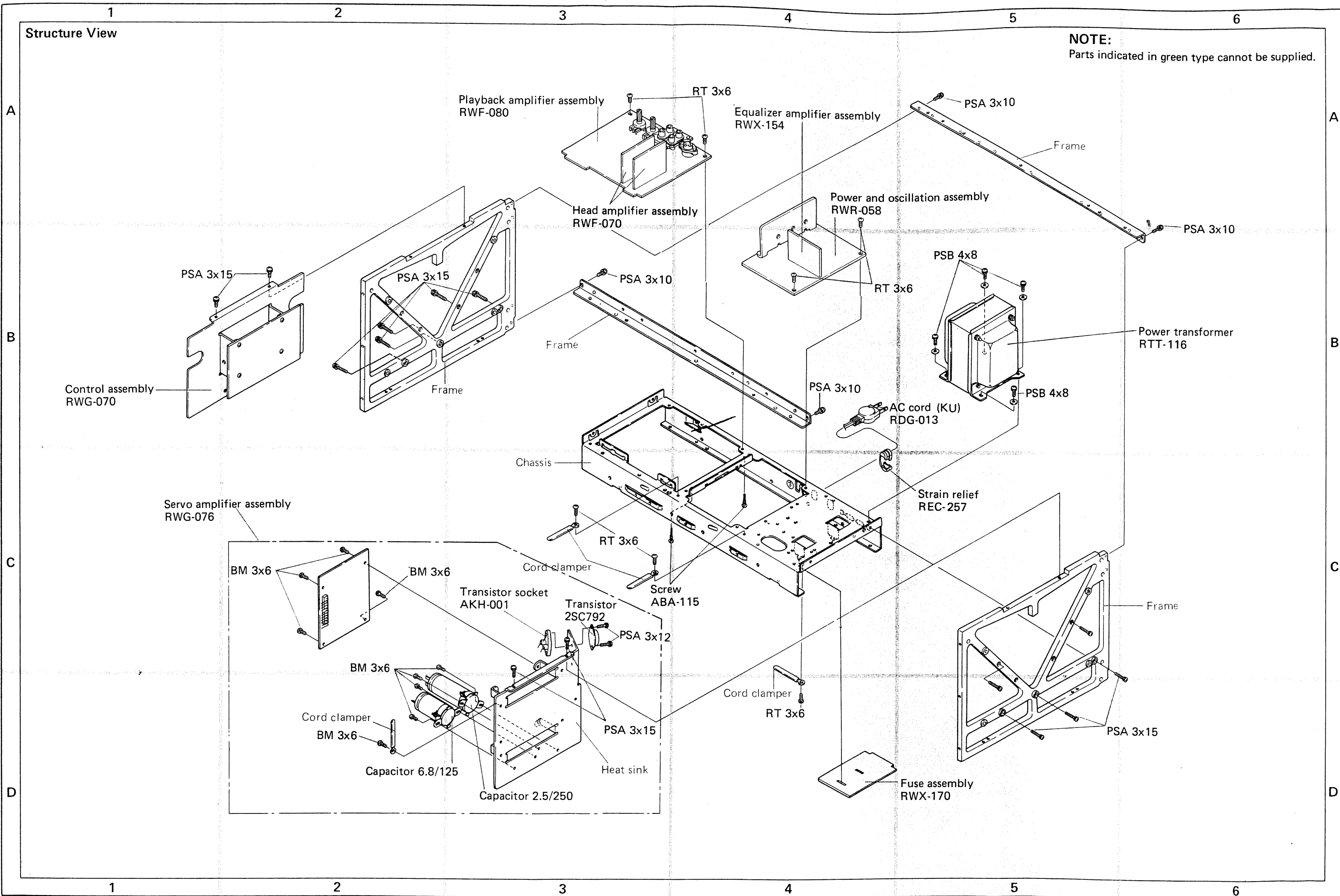
NOTE:
Parts indicated in green type cannot be supplied.



See page 83.

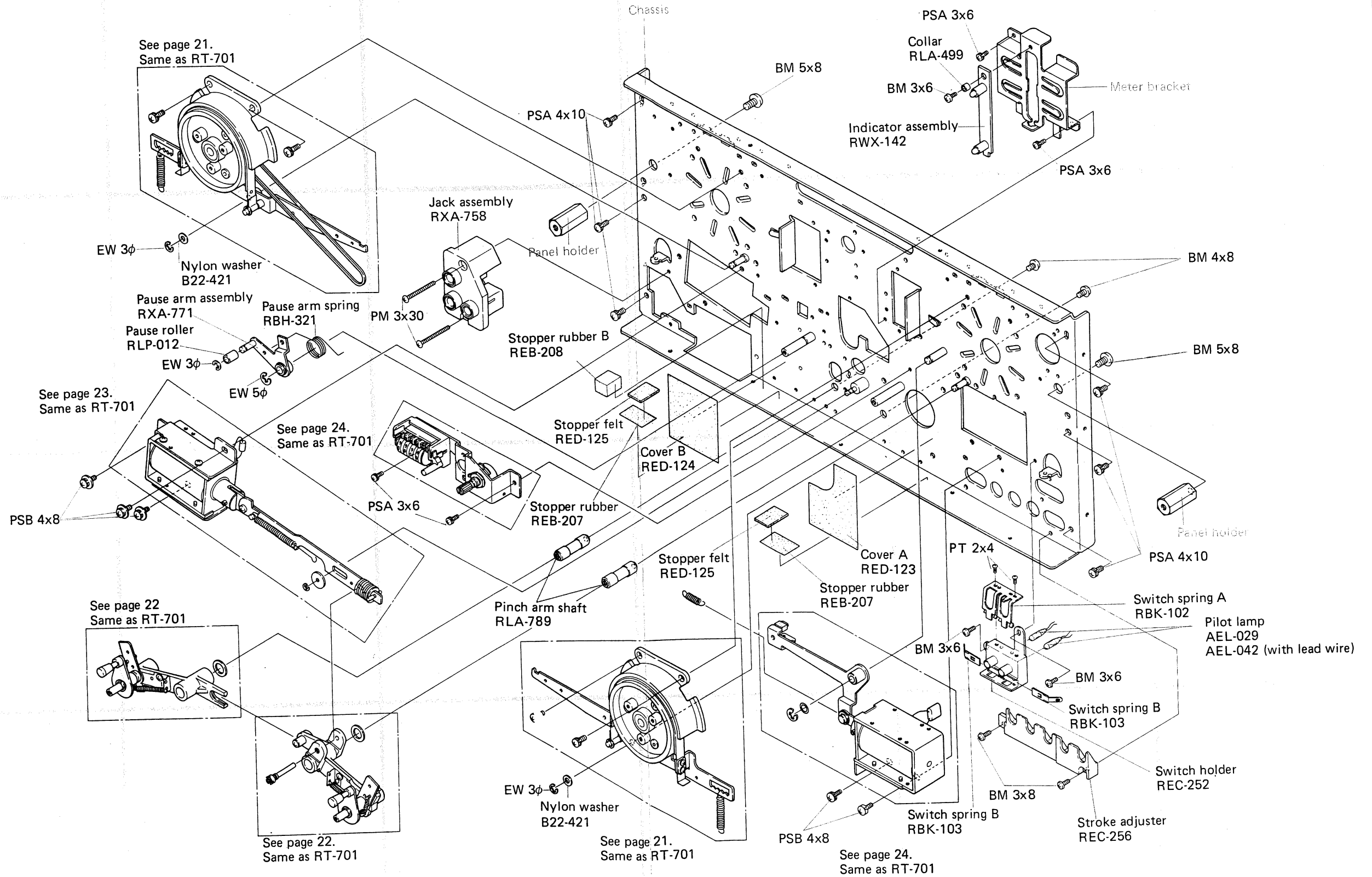
Structure View

NOTE:
Parts indicated in green type cannot be supplied.



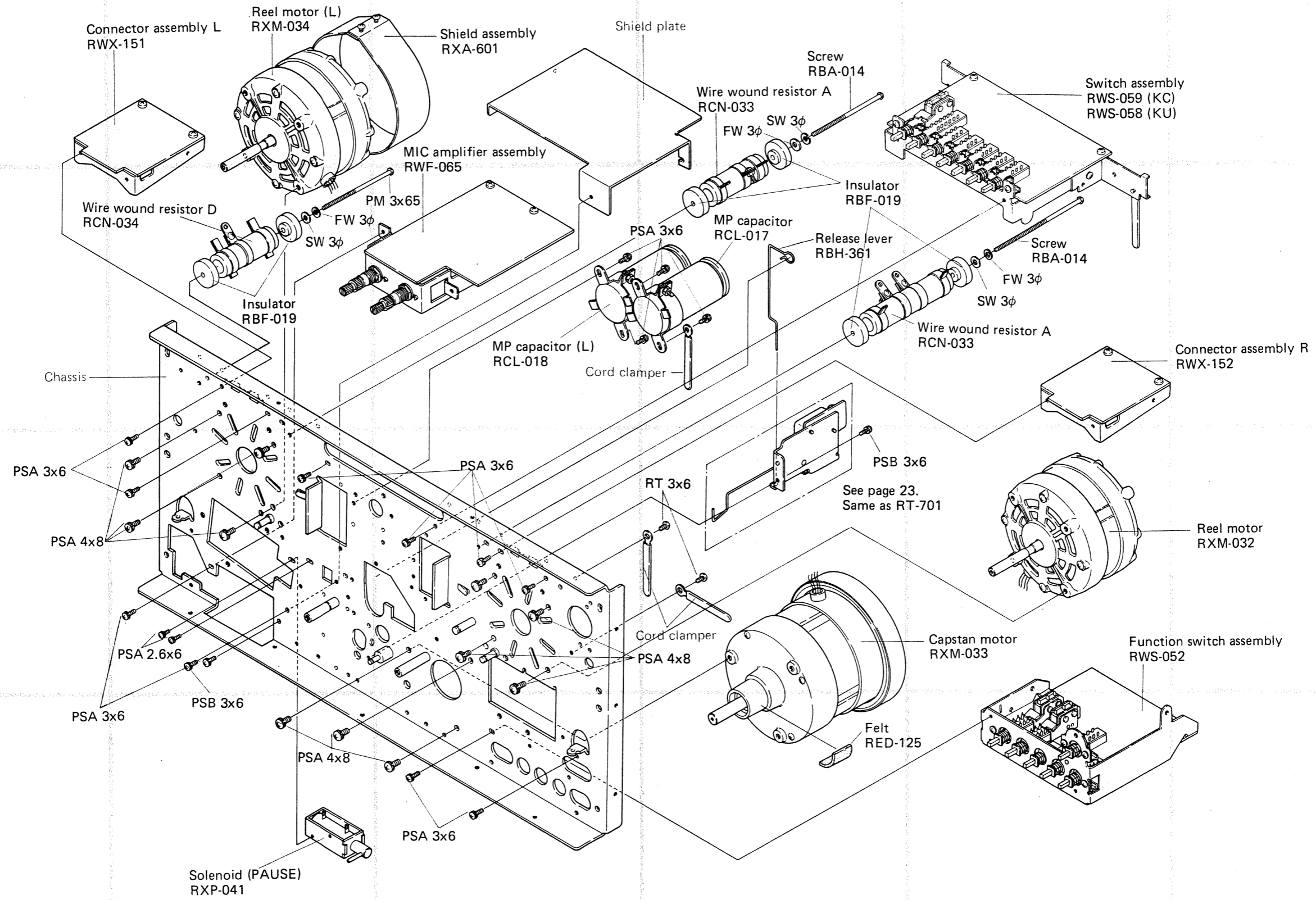
Front side view of mechanism chassis

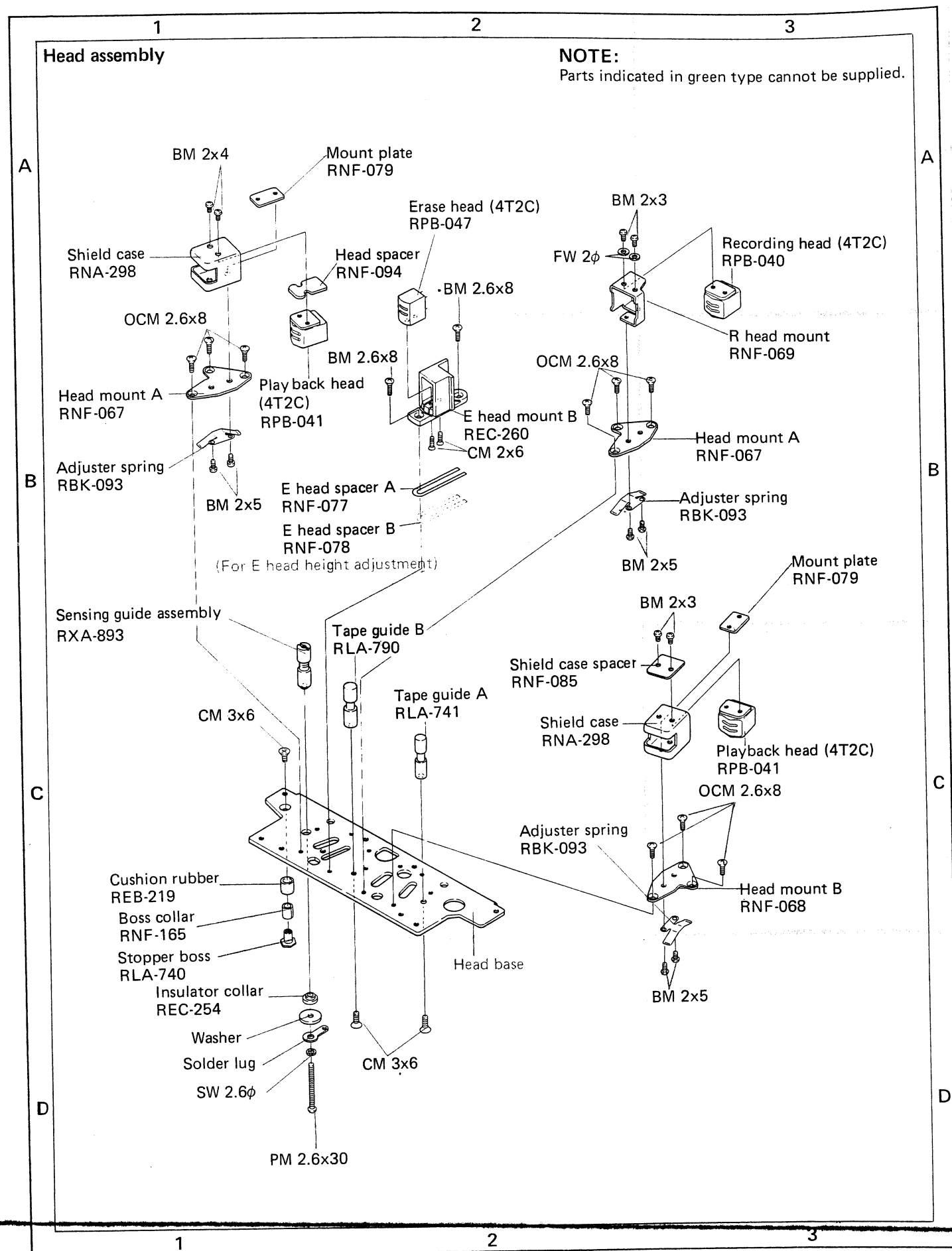
NOTE:
Parts indicated in green type cannot be supplied.



Rear side view of mechanism chassis

NOTE:
Parts indicated in green type cannot be supplied.





6. SCHEMATIC DIAGRAMS, P.C. BOARD PATTERNS AND PARTS LISTS

6.1 MISCELLANEOUS PARTS LIST

NOTE:

- Capacitors: in μF unless otherwise noted p:pF.
- Resistors: in Ω , $\frac{1}{4}W$ unless otherwise noted k: k Ω , M: M Ω

CAPACITORS

Symbol	Part No.	Description	Symbol	Part No.	Description
C1	RCL-017	MP capacitor	RXP-038		Solenoid (PINCH)
C2	RCL-018	MP capacitor (L)	RXP-040		Solenoid (BRAKE)
			RXP-041		Solenoid (PAUSE)
			RPB-047		Erase head (4T2C)
			RPB-040		Recording head (4T2C)

RESISTORS

Symbol	Part No.	Description	Symbol	Part No.	Description
R1	RCN-034	Wire wound resistor D 2k 20W	RPB-041		Playback head (4T2C)
R2	RCN-033	Wire wound resistor A 350 25W	RWR-058		Power and oscillation assembly
R3	RCN-033	Wire wound resistor A 350 25W	RWF-080		Playback amplifier assembly
R4	RD $\frac{1}{4}$ PS 152J	Carbon film 1.5k	RWX-170		Fuse assembly
R5	RD $\frac{1}{4}$ PS 152J	Carbon film 1.5k	RWF-065		Mic amplifier assembly
VR4	RCS-011	Variable resistor (PITCH CONTROL) 10k-B	RWS-058		Switch assembly (KU)
			RWS-059		Switch assembly (KC)
			RWS-052		Function switch assembly
			RWG-070		Control assembly
			RWX-151		Connector assembly L

SEMICONDUCTORS

Symbol	Part No.	Description	Symbol	Part No.	Description
D1	W06B	Diode	RWX-152		Connector assembly R
D3	W06B	Diode	RDG-013		Power cord (KU)

TRANSFORMERS

Symbol	Part No.	Description
	RTT-116	Power transformer

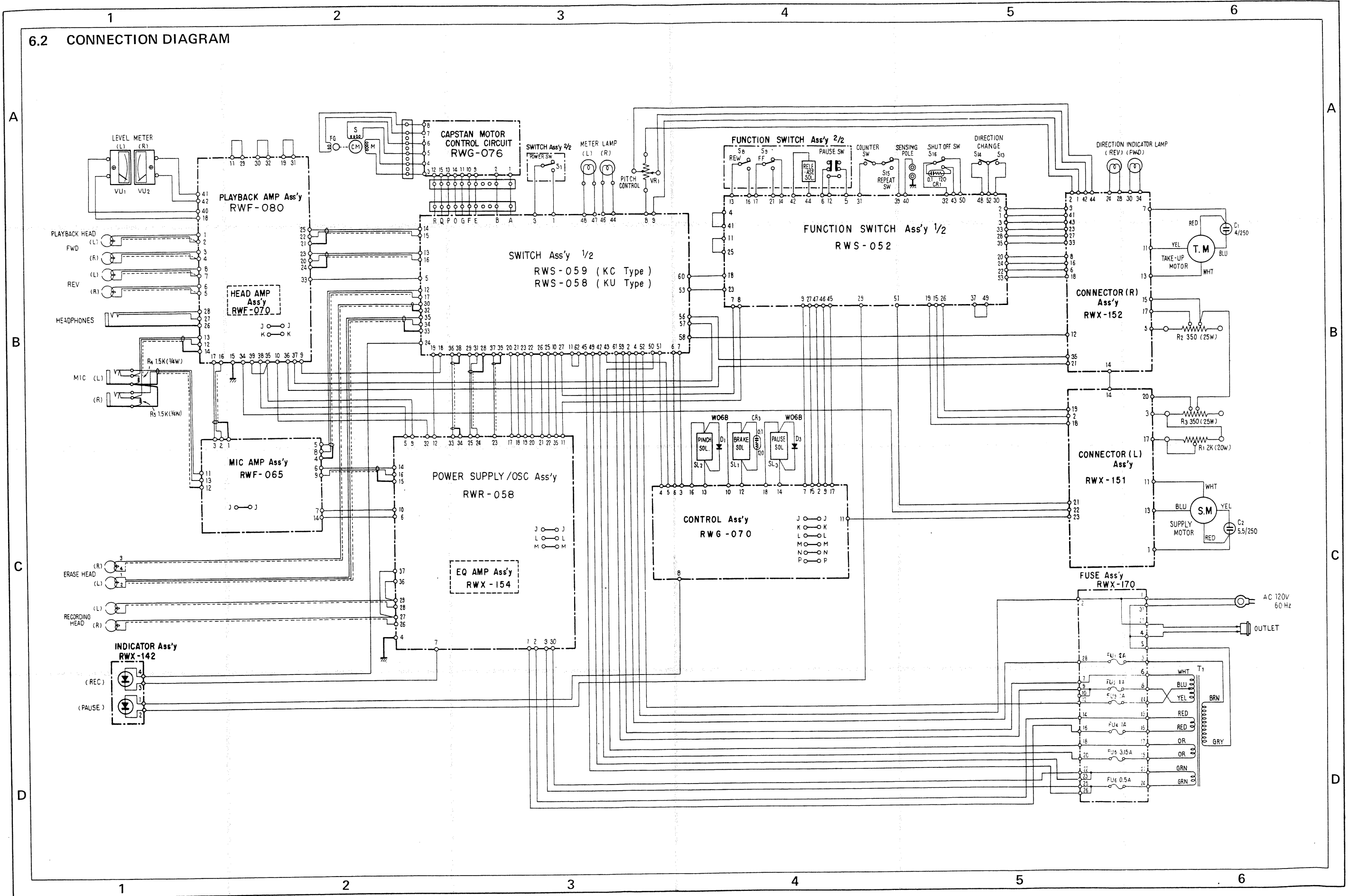
OTHERS

Symbol	Part No.	Description
VU1	RAW-061	Level meter L
VU2	RAW-062	Level meter R
CR1	RWX-030	Spark killer
CR2	RWX-030	Spark killer
S15	RSG-048	PAUSE switch
S16	RSF-007	Micro switch
	RXM-032	Reel motor
	RXM-035	Capstan motor
	RXM-034	Reel motor L

The following assemblies are same as RT-701 "▲" type.

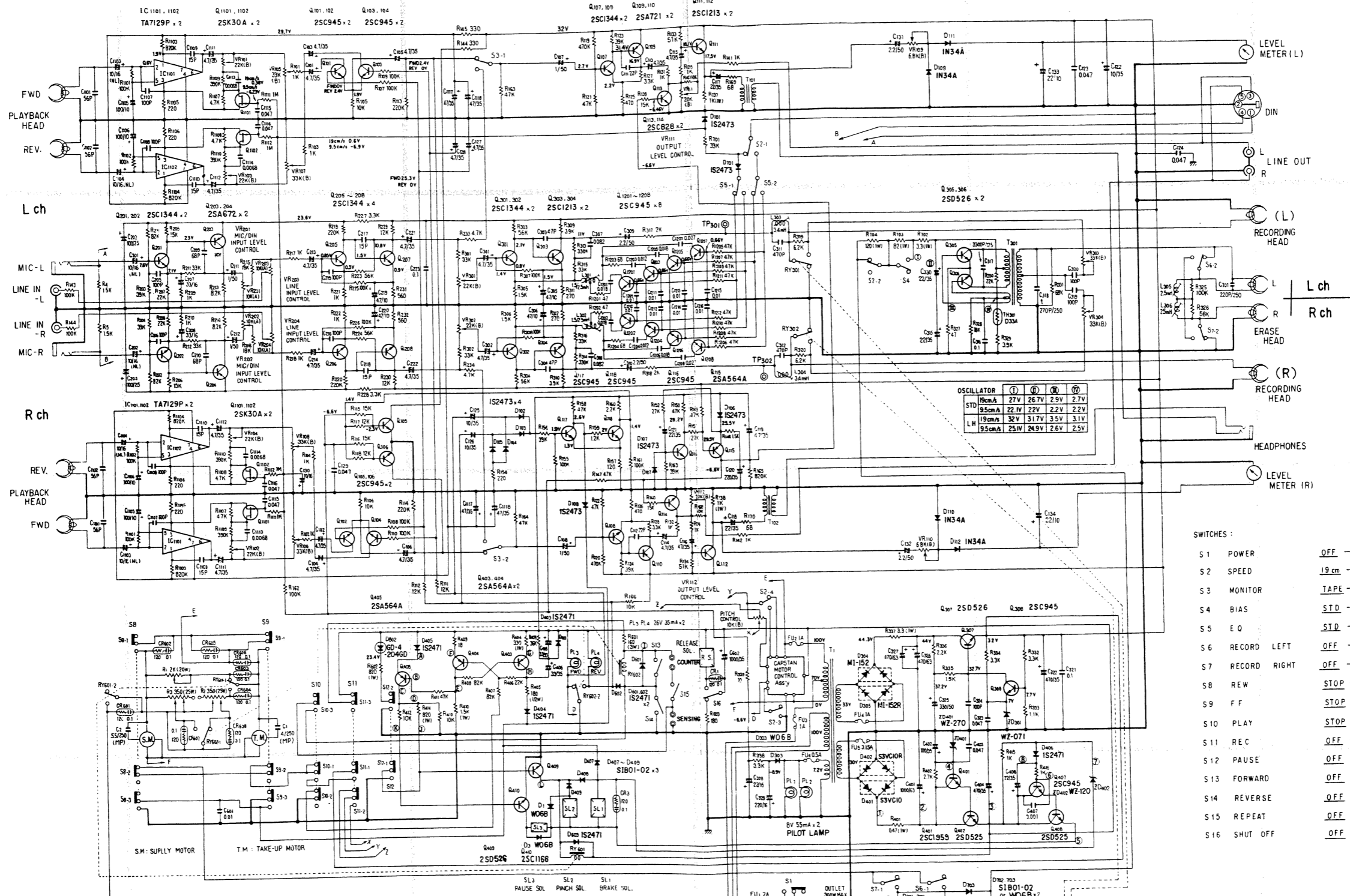
Assembly	Part No.	Remarks
Control assembly	RWG-070	See page 51
Indicator assembly	RWX-142	See page 64
Fuse assembly	RWX-170	See page 43
MIC amplifier assembly	RWF-065	See page 31

6.2 CONNECTION DIAGRAM



6.3 SCHEMATIC DIAGRAM

NOTE:
The indicated semiconductors are representative ones only. Other alternative semiconductors may be used and are listed in the parts lists.



- SWITCHES :**
- S 1 POWER OFF - ON
 - S 2 SPEED 19 cm - 9.5 cm
 - S 3 MONITOR TAPE - SOURCE
 - S 4 BIAS STD - LH
 - S 5 EQ STD - LH
 - S 6 RECORD LEFT OFF - ON
 - S 7 RECORD RIGHT OFF - ON
 - S 8 REW STOP - REW
 - S 9 FF STOP - FF
 - S 10 PLAY STOP - PLAY
 - S 11 REC OFF - ON
 - S 12 PAUSE OFF - ON
 - S 13 FORWARD OFF - ON
 - S 14 REVERSE OFF - ON
 - S 15 REPEAT OFF - ON
 - S 16 SHUT OFF OFF - ON

CONTROL

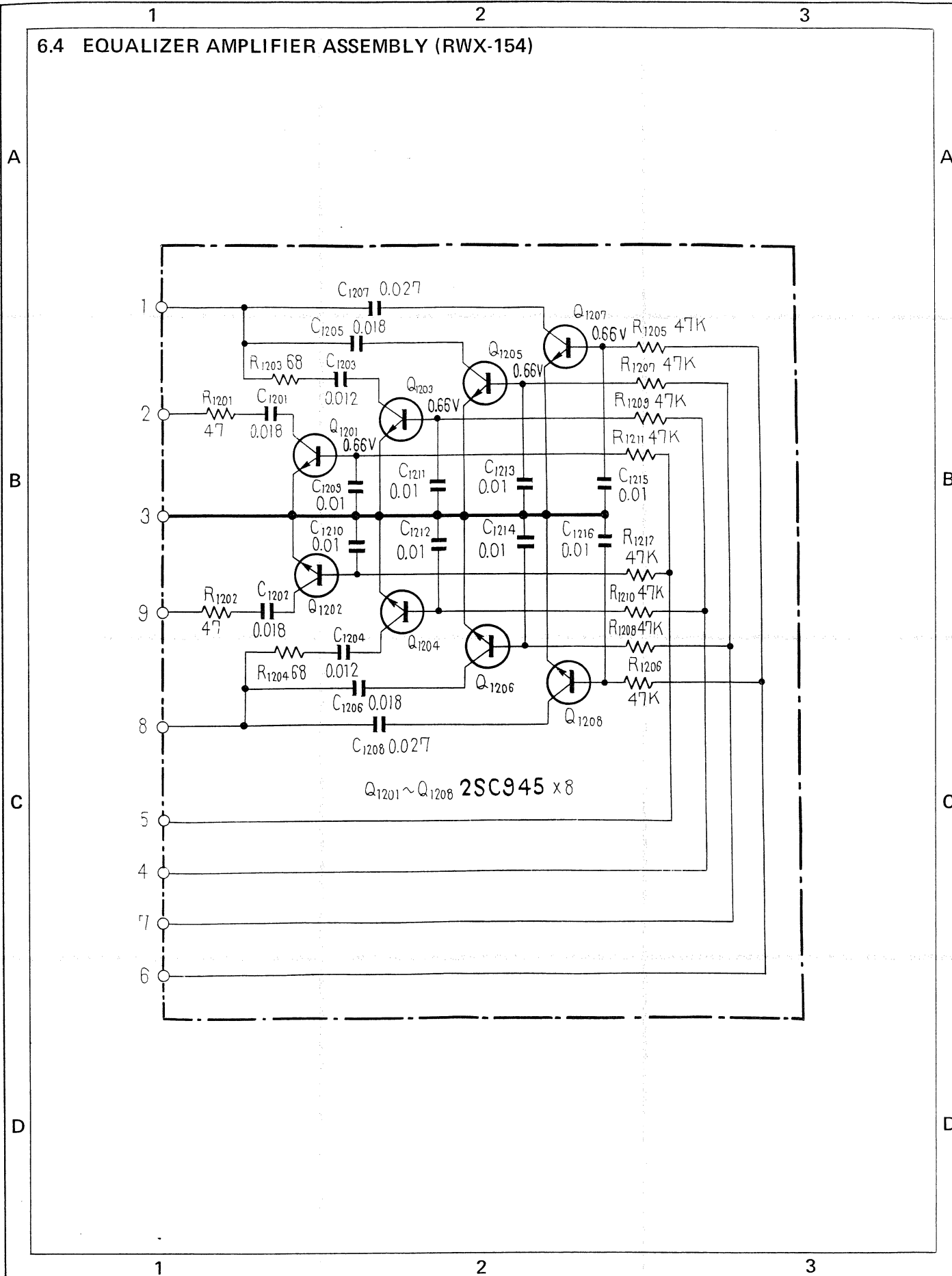
	(A)	(B)	(C)	(D)	(E)	(F)	(G)	(H)	(I)	(J)	(K)	(L)
STOP	25.5V	25.2V	0	0	25.4V	25.5V	25.8V	24.7V	25.5V	0	0	25.5V
PLAY	24.4V	23.6V	24.3V	24.3V	18V	25.2V	25.2V	25.2V	0.8V	0.7V	0.3V	0.3V
PLAY/REC	24.4V	23.6V	24.3V	24.3V	18V	25.2V	25.2V	25.2V	0.1V	0.8V	0.7V	0.3V
FAST	25.3V	25.1V	0	0	25.2V	25.3V	25.6V	0.9V	25.5V	0	0	25.5V
PLAY/PAUSE	24.8V	24.1V	24.7V	24.7V	18V	25.7V	25.6V	25.1V	25.7V	0	0.7V	25.5V
REV											13.6V	

DC VOLTAGE AT NO INPUT SIGNAL
RESISTORS:
IN OHM 1/4W ± 5% TOLERANCE UNLESS OTHERWISE NOTED K: k Ω M: M Ω
CAPACITORS
IN μF UNLESS OTHERWISE NOTED P: pF

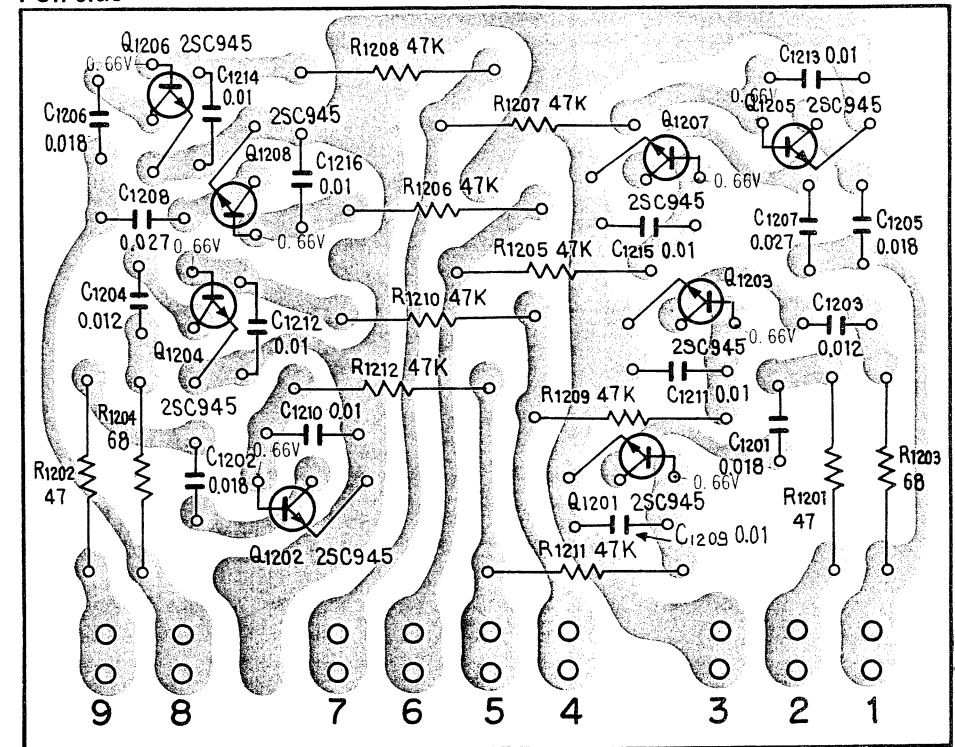
POWER SUPPLY

	(1)	(2)	(3)	(4)	(5)	(6)	(7)	(8)
STOP	4.1V	40.7V	25.6V	27V	24.9V	25.5V	25.8V	25.5V
PLAY	33.6V	33V	25.2V	26.6V	11V	12.4V	12.9V	12.4V
FAST	38V	37.8V	25.4V	26.8V	11V	12.4V	12.7V	12.4V

6.4 EQUALIZER AMPLIFIER ASSEMBLY (RWX-154)



Foil side



Parts List

CAPACITORS

Symbol	Part No.	Description	Symbol	Part No.	Description
C1201	CQMA 183K 50	Mylar 0.018 50V	R1203	RD¼PS 680J	Carbon film 68
C1202	CQMA 183K 50	Mylar 0.018 50V	R1204	RD¼PS 680J	Carbon film 68
C1203	CQMA 123K 50	Mylar 0.012 50V	R1205	RD¼PS 473J	Carbon film 47k
C1204	CQMA 123K 50	Mylar 0.012 50V	R1206	RD¼PS 473J	Carbon film 47k
C1205	CQMA 183K 50	Mylar 0.018 50V	R1207	RD¼PS 473J	Carbon film 47k
C1206	CQMA 183K 50	Mylar 0.018 50V	R1208	RD¼PS 473J	Carbon film 47k
C1207	CQMA 273K 50	Mylar 0.027 50V	R1209	RD¼PS 473J	Carbon film 47k
C1208	CQMA 273K 50	Mylar 0.027 50V	R1210	RD¼PS 473J	Carbon film 47k
C1209	CKDYF 103Z 50	Ceramic 0.01 50V	R1211	RD¼PS 473J	Carbon film 47k
C1210	CKDYF 103Z 50	Ceramic 0.01 50V	R1212	RD¼PS 473J	Carbon film 47k
C1211	CKDYF 103Z 50	Ceramic 0.01 50V			
C1212	CKDYF 103Z 50	Ceramic 0.01 50V			
C1213	CKDYF 103Z 50	Ceramic 0.01 50V			
C1214	CKDYF 103Z 50	Ceramic 0.01 50V			
C1215	CKDYF 103Z 50	Ceramic 0.01 50V			
C1216	CKDYF 103Z 50	Ceramic 0.01 50V			

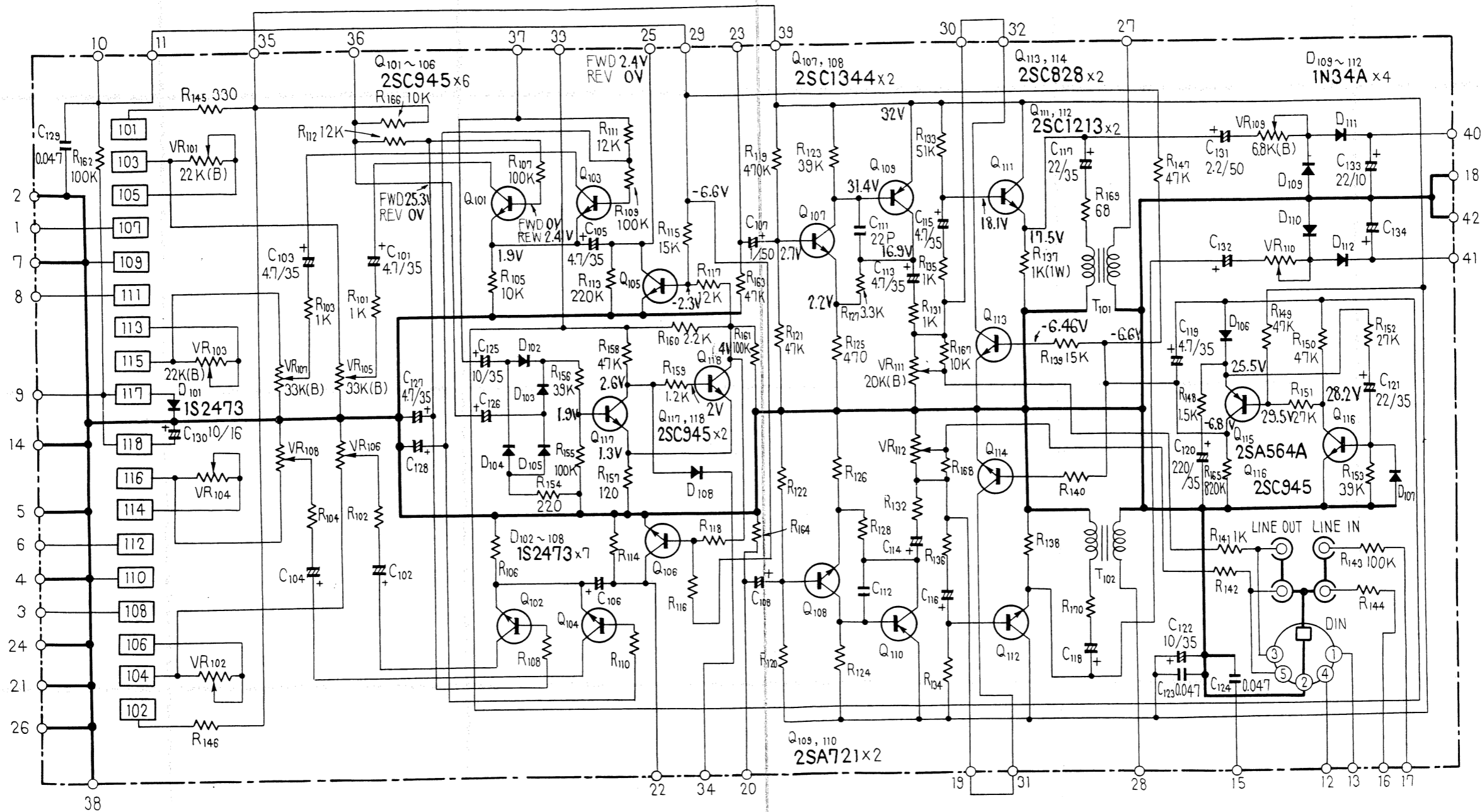
SEMICONDUCTORS

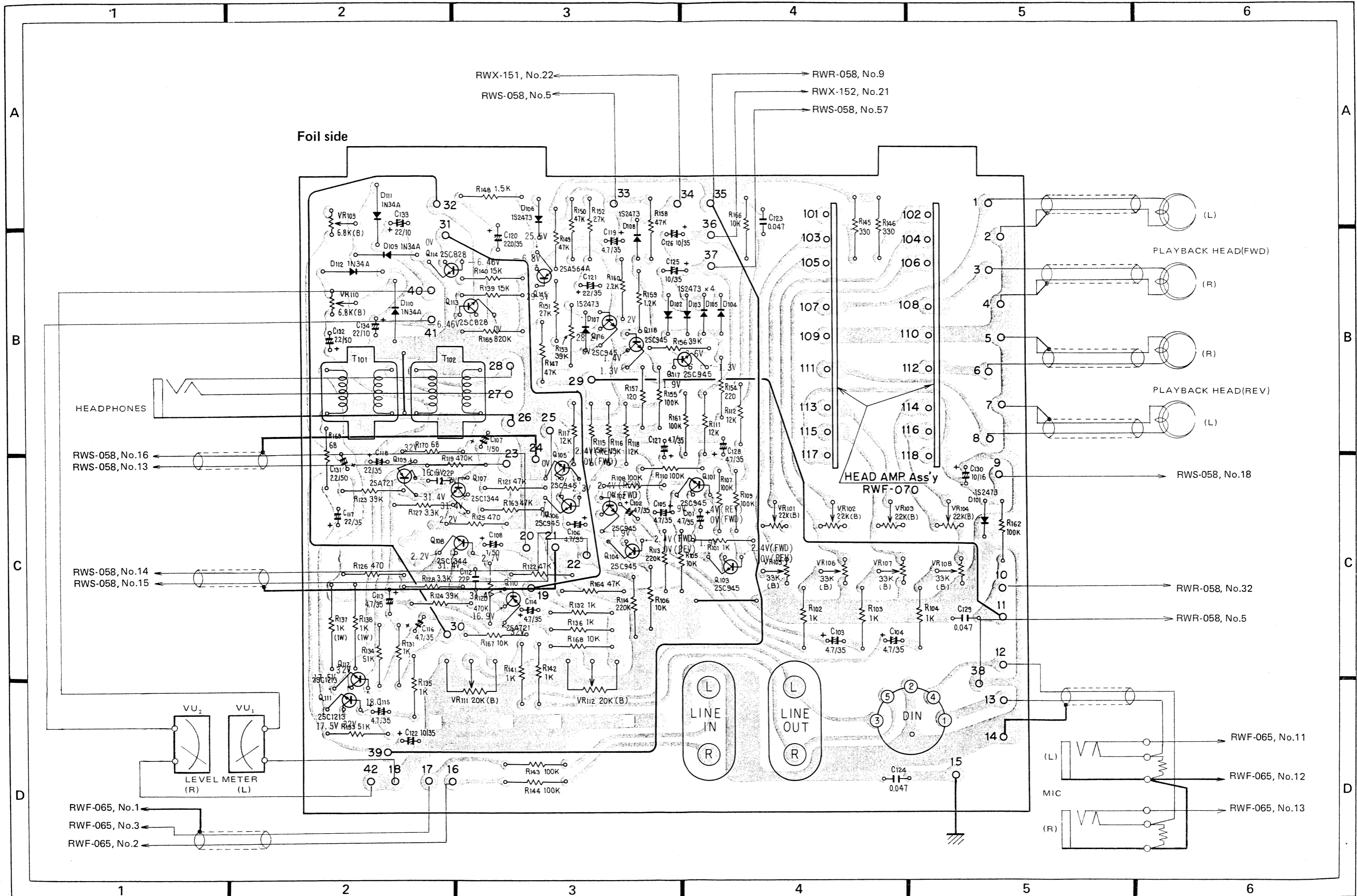
Symbol	Part No.	Description
Q1201	2SC945P or Q	Transistor
Q1202	2SC945P or Q	Transistor
Q1203	2SC945P or Q	Transistor
Q1204	2SC945P or Q	Transistor
Q1205	2SC945P or Q	Transistor
Q1206	2SC945P or Q	Transistor
Q1207	2SC945P or Q	Transistor
Q1208	2SC945P or Q	Transistor

RESISTORS

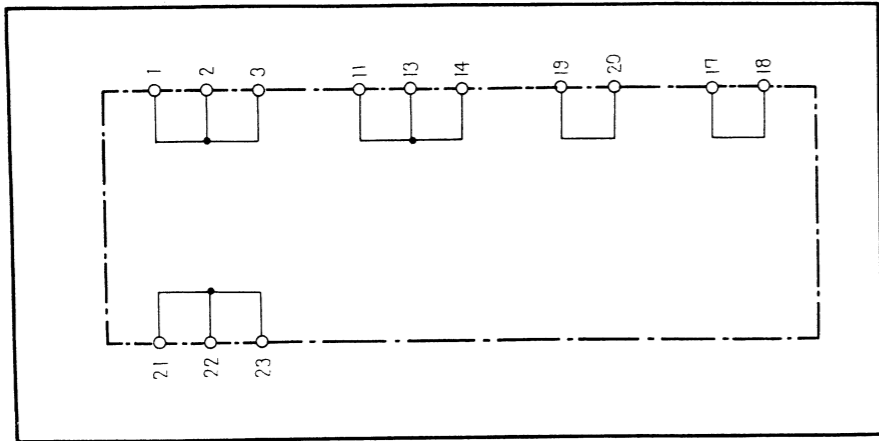
Symbol	Part No.	Description
R1201	RD¼PS 470J	Carbon film 47
R1202	RD¼PS 470J	Carbon film 47

6.5 PLAYBACK AMPLIFIER ASSEMBLY (RWF-080)

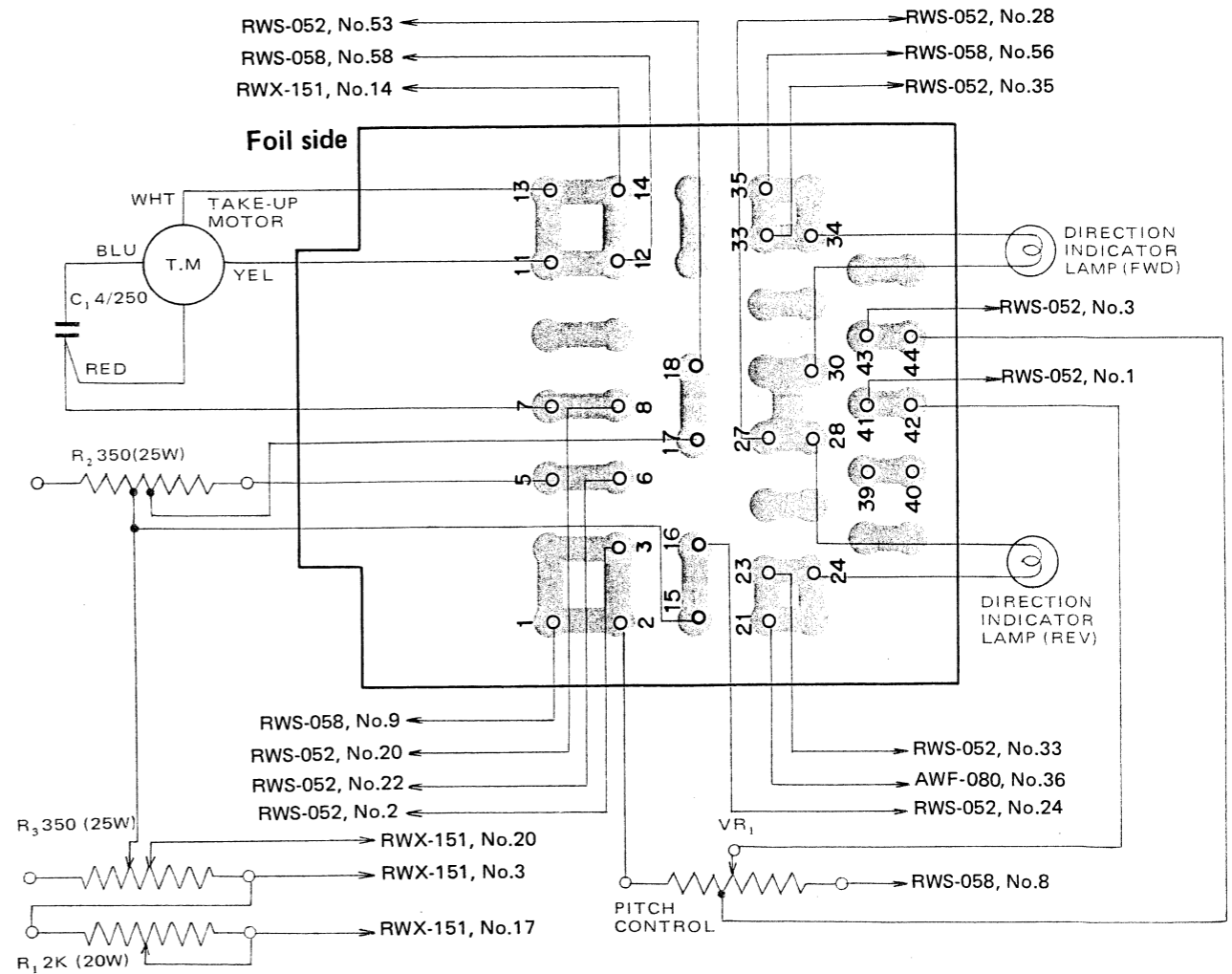
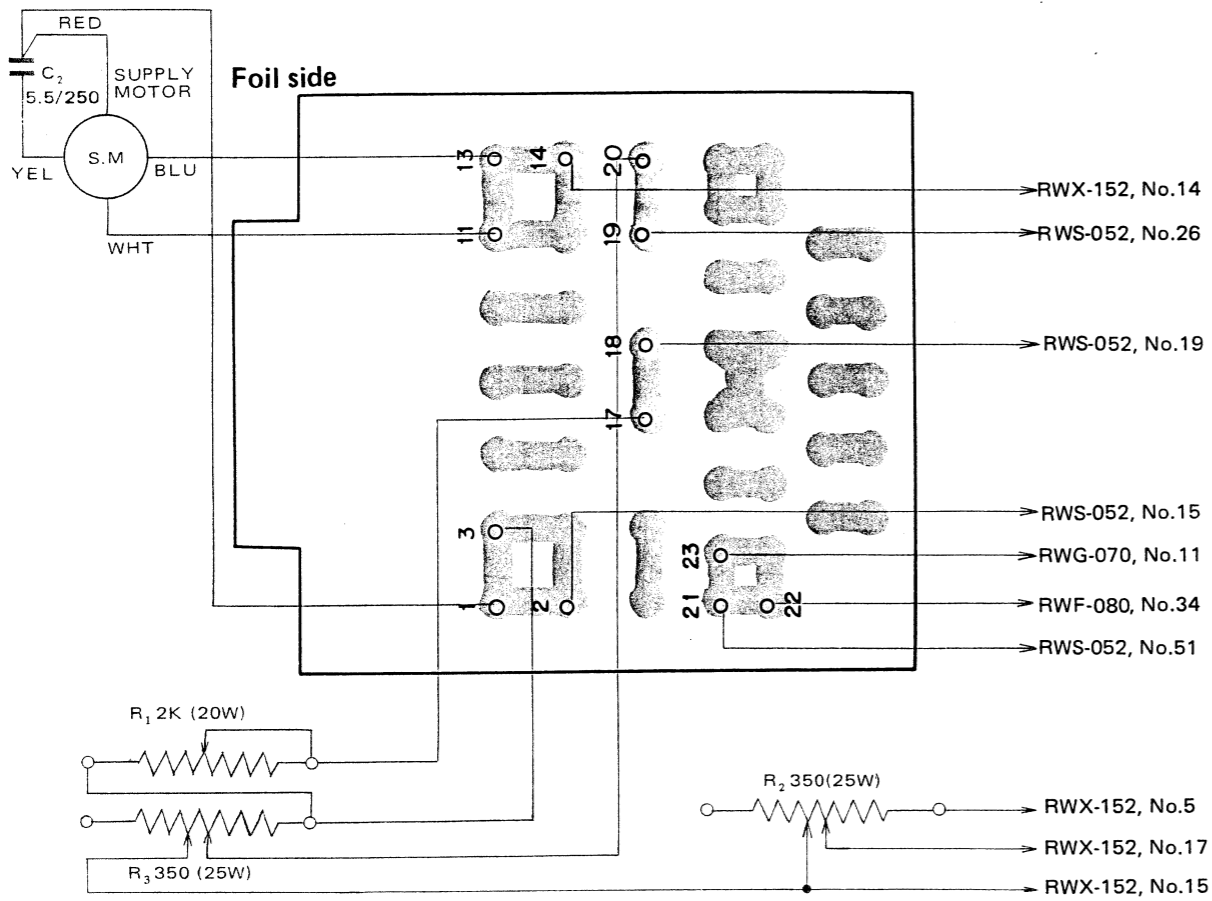
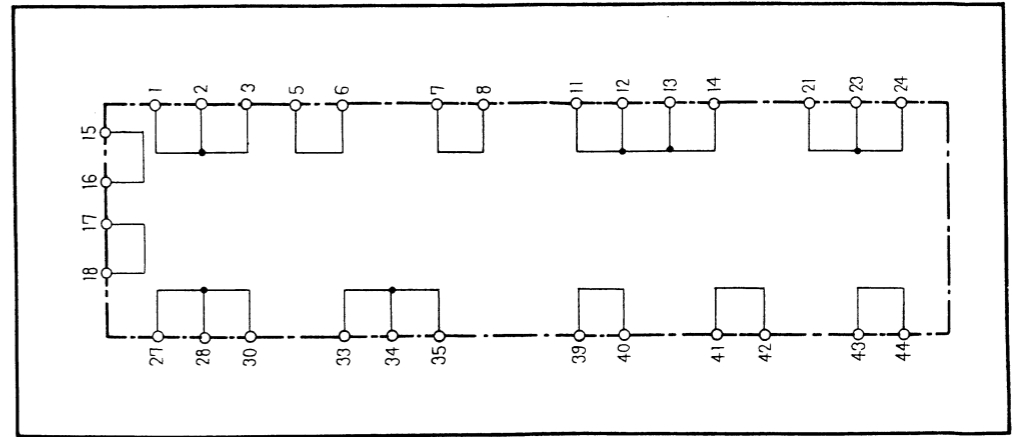




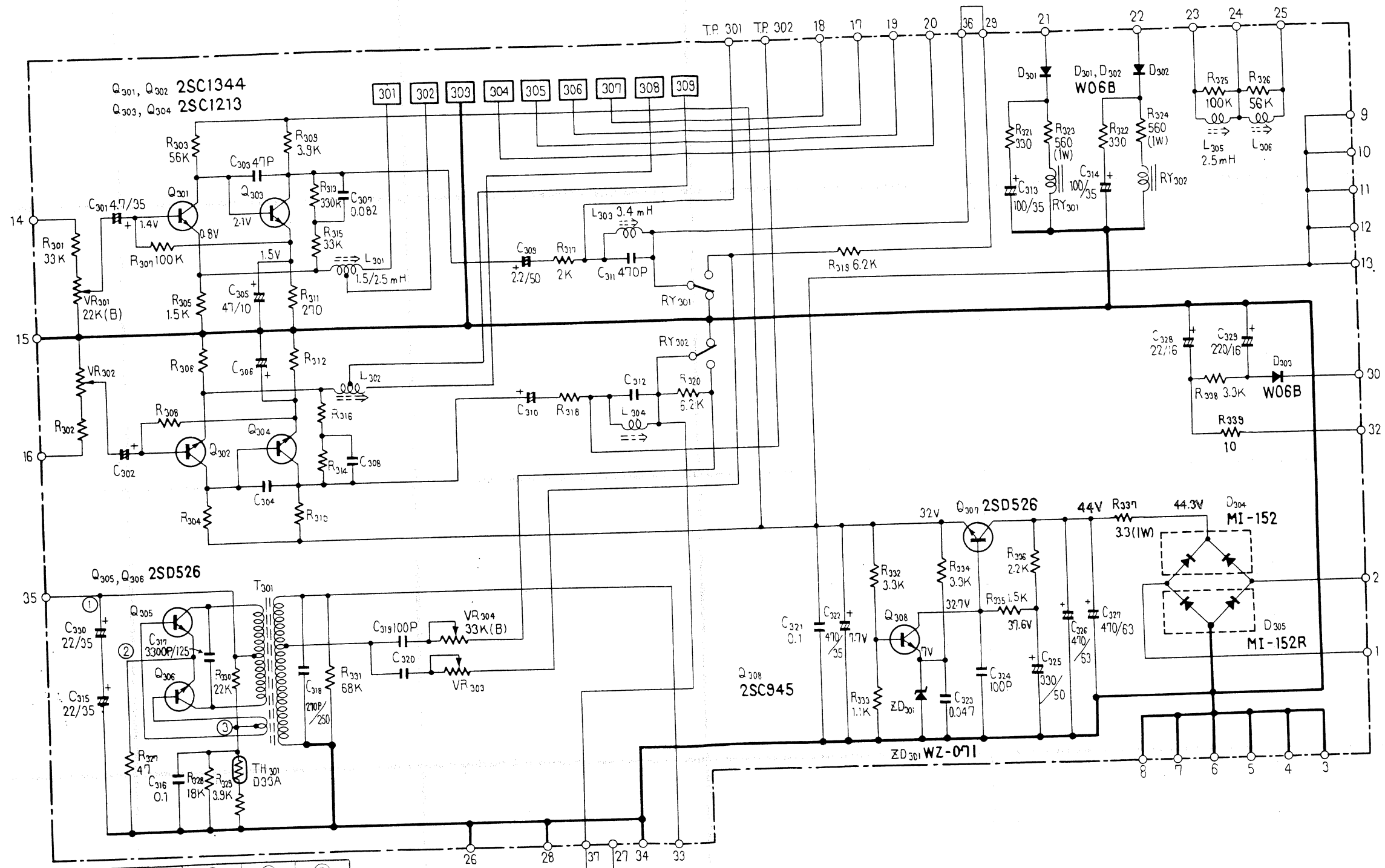
6.7 CONNECTOR ASSEMBLY L (RWX-151)



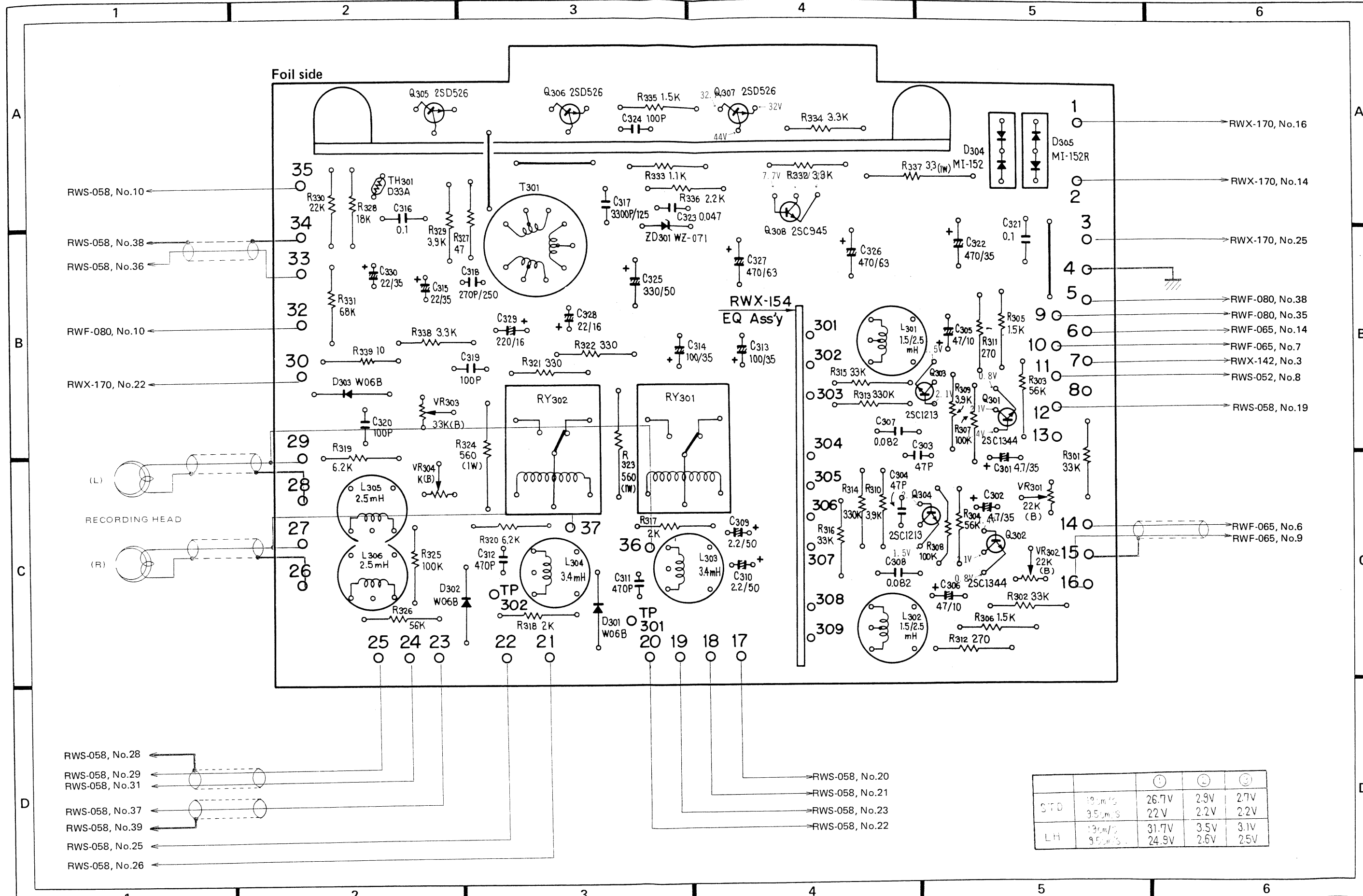
6.8 CONNECTOR ASSEMBLY R (RWX-152)



6.8 POWER AND OSCILLATION ASSEMBLY (RWR-058)



		①	②	③
STD	19.5m/s	26.7V	2.9V	2.7V
	3.5cm/s	22V	2.2V	2.2V
LH	19.5m/s	31.7V	3.5V	3.1V
	3.5cm/s	24.9V	2.6V	2.5V



		⊖	⊕	⊕
STD	19.1m/s	26.7V	2.9V	2.7V
	9.5m/s	22V	2.2V	2.2V
LH	19.1m/s	31.7V	3.5V	3.1V
	9.5m/s	24.9V	2.6V	2.5V

Parts List of Power and Oscillation Assembly (RWR-058)

TRANSFORMER AND COILS

Symbol	Part No.	Description	Symbol	Part No.	Description
T301	RTD-013	OSC transformer	R301	RD¼PS 333J	Carbon film 33k
L301	RTF-014	Peaking coil	R302	RD¼PS 333J	Carbon film 33k
L302	RTF-014	Peaking coil	R303	RD¼PS 563J	Carbon film 56k
L303	RTF-013	Trap coil	R304	RD¼PS 563J	Carbon film 56k
L304	RTF-013	Trap coil	R305	RD¼PS 152J	Carbon film 1.5k
L305	RTD-014	Dummy coil	R306	RD¼PS 152J	Carbon film 1.5k
L306	RTD-014	Dummy coil	R307	RD¼PS 104J	Carbon film 100k
			R308	RD¼PS 104J	Carbon film 100k
			R309	RD¼PS 392J	Carbon film 3.9k
			R310	RD¼PS 392J	Carbon film 3.9k

CAPACITORS

Symbol	Part No.	Description	Symbol	Part No.	Description
C301	CEA 4R7P 35	Electrolytic 4.7 35V	R311	RD¼PS 271J	Carbon film 270
C302	CEA 4R7P 35	Electrolytic 4.7 35V	R312	RD¼PS 271J	Carbon film 270
C303	CCDSL 470K 50	Ceramic 47p 50V	R313	RD¼PS 334J	Carbon film 330k
C304	CCDSL 470K 50	Ceramic 47p 50V	R314	RD¼PS 334J	Carbon film 330k
C305	CEA 470P 10	Electrolytic 47 10V	R315	RD¼PS 333J	Carbon film 33k
C306	CEA 470P 10	Electrolytic 47 10V	R316	RD¼PS 333J	Carbon film 33k
C307	CQMA 823K 50	Mylar 0.082 50V	R317	RD¼PS 202J	Carbon film 2k
C308	CQMA 823K 50	Mylar 0.082 50V	R318	RD¼PS 202J	Carbon film 2k
C309	CEA 2R2P 50	Electrolytic 2.2 50V	R319	RD¼PS 622J	Carbon film 6.2k
C310	CEA 2R2P 50	Electrolytic 2.2 50V	R320	RD¼PS 622J	Carbon film 6.2k
C311	RCE-014	Styrol 470p 50V	R321	RD¼PSF 331J	Carbon film 330
C312	RCE-014	Styrol 470p 50V	R322	RD¼PSF 331J	Carbon film 330
C313	CEA 101P 35	Electrolytic 100 35V	R323	RS1P 561J	Metal oxide 560 1W
C314	CEA 101P 35	Electrolytic 100 35V	R324	RS1P 561J	Metal oxide 560 1W
C315	CEA 220P 35	Electrolytic 22 35V	R325	RD¼PS 104J	Carbon film 100k
C316	CQMA 104K 50	Mylar 0.1 50V	R326	RD¼PS 563J	Carbon film 56k
C317	CQSA 332J 125	Styrol 0.0033 125V	R327	RD¼PS 470J	Carbon film 47
C318	CQSA 271J 250	Styrol 270p 250V	R328	RD¼PS 183J	Carbon film 18k
C319	RCE-003	Styrol 100p 50V	R329	RD¼PS 392J	Carbon film 3.9k
C320	RCE-003	Styrol 100p 50V	R330	RD¼PS 223J	Carbon film 22k
C321	CQMA 104K 50	Mylar 0.1 50V	R331	RD¼PS 683J	Carbon film 68k
C322	CEA 471P 35	Electrolytic 470 35V	R332	RD¼PS 332J	Carbon film 3.3k
C323	CKDYF 473Z 50	Ceramic 0.047 50V	R333	RD¼PS 112J	Carbon film 1.1k
C324	CCDSL 101K 50	Ceramic 100p 50V	R334	RD¼PS 332J	Carbon film 3.3k
C325	CEA 331P 50	Electrolytic 330 50V	R335	RD¼PS 152J	Carbon film 1.5k
C326	CEA 471P 63	Electrolytic 470 63V	R336	RD¼PS 222J	Carbon film 2.2k
C327	CEA 471P 63	Electrolytic 470 63V	R337	RN1PSF 3R3J	Metal film 3.3 1W
C328	CEA 220P 16	Electrolytic 22 16V	R338	RD¼PS 332J	Carbon film 3.3k
C329	CEA 221P 16	Electrolytic 220 16V	R339	RD¼PS 100J	Carbon film 10
C330	CEA 220P 35	Electrolytic 22 35V			

SEMICONDUCTORS

Symbol	Part No.	Description
Q301	2SC1344-D or E	Transistor
Q302	2SC1344-D or E	Transistor
Q303	2SC1213-B or C	Transistor
Q304	2SC1213-B or C	Transistor
Q305	2SD526-0	Transistor

RESISTORS

Symbol	Part No.	Description
VR301	C92-857	Semi fixed 22k-B
VR302	C92-857	Semi fixed 22k-B
VR303	C81-426	Semi fixed 33k-B
VR304	C81-426	Semi fixed 33k-B

Symbol	Part No.	Description
Q306	2SD526-0	Transistor
Q307	2SD526-0 or Y	Transistor
Q308	2SC945-P or Q	Transistor
D301	W 06 B	Diode
D302	W 06 B	Diode
D303	W 06 B	Diode
D304	MI-152	Diode
D305	MI-152R	Diode
ZD301	WZ-071	Zener Diode
TH301	D33A	Thermistor

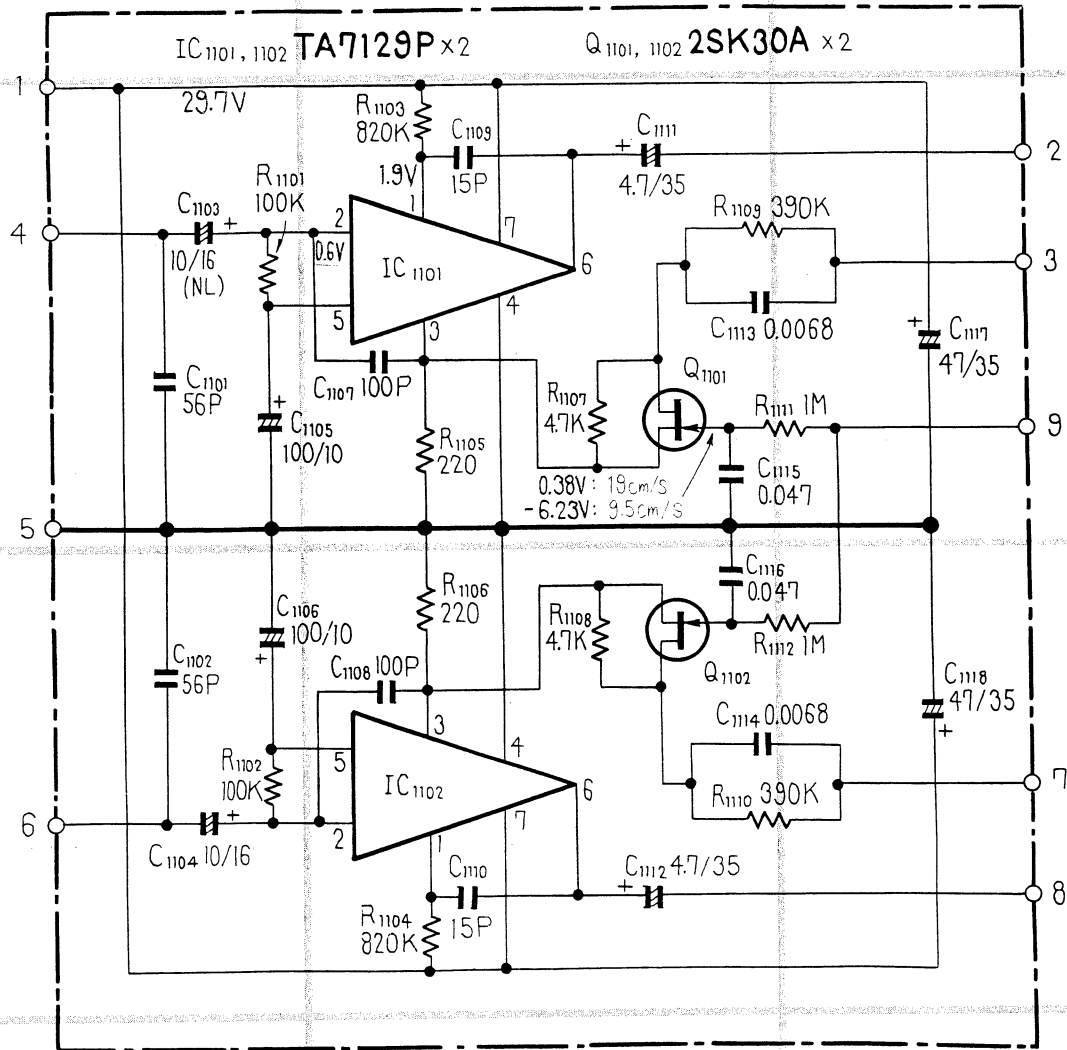
OTHERS

Symbol	Part No.	Description
RY301	RSP-018	Relay
RY302	RSP-018	Relay
	RNF-065	Heat Sink
	AKH-002	Tr socket
	REE-051	Insulator

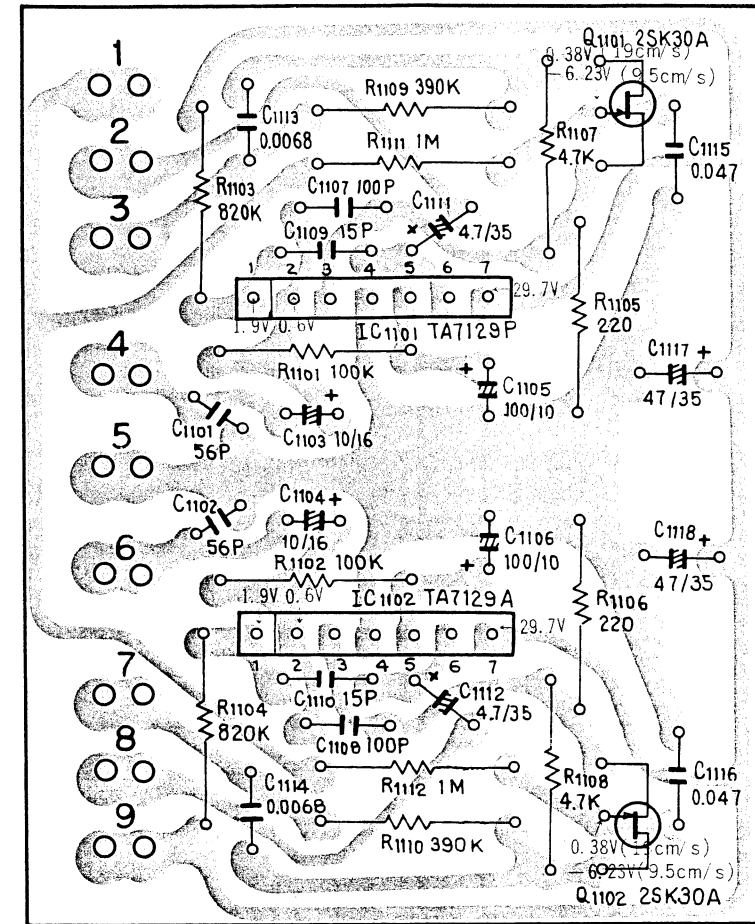
List of Changed Parts for Factory Modification

Symbol	Part No.	Description
--------	----------	-------------

6.9 HEAD AMPLIFIER ASSEMBLY (RWF-070)



Foil side



Parts List

CAPACITORS

Symbol	Part No.	Description
C1101	RCE-004	Styrol 56p 50V
C1102	RCE-004	Styrol 56p 50V
C1103	RCH-018	Electrolytic 10 16V
C1104	RCH-018	Electrolytic 10 16V
C1105	CEA 101P 10	Electrolytic 100 10V
C1106	CEA 101P 10	Electrolytic 100 10V
C1107	CCDSL 101K 50	Ceramic 100p 50V
C1108	CCDSL 101K 50	Ceramic 100p 50V
C1109	CCDSL 150K 50	Ceramic 15p 50V
C1110	CCDSL 150K 50	Ceramic 15p 50V
C1111	CEA 4R7P 35	Electrolytic 4.7 35V
C1112	CEA 4R7P 35	Electrolytic 4.7 35V
C1113	CQMA 682K 50	Mylar 6800p 50V
C1114	CQMA 682K 50	Mylar 6800p 50V
C1115	CKDYF 473Z 50	Ceramic 0.047 50V
C1116	CKDYF 473Z 50	Ceramic 0.047 50V
C1117	CEA 470P 35	Electrolytic 47 35V
C1118	CEA 470P 35	Electrolytic 47 35V

RESISTORS

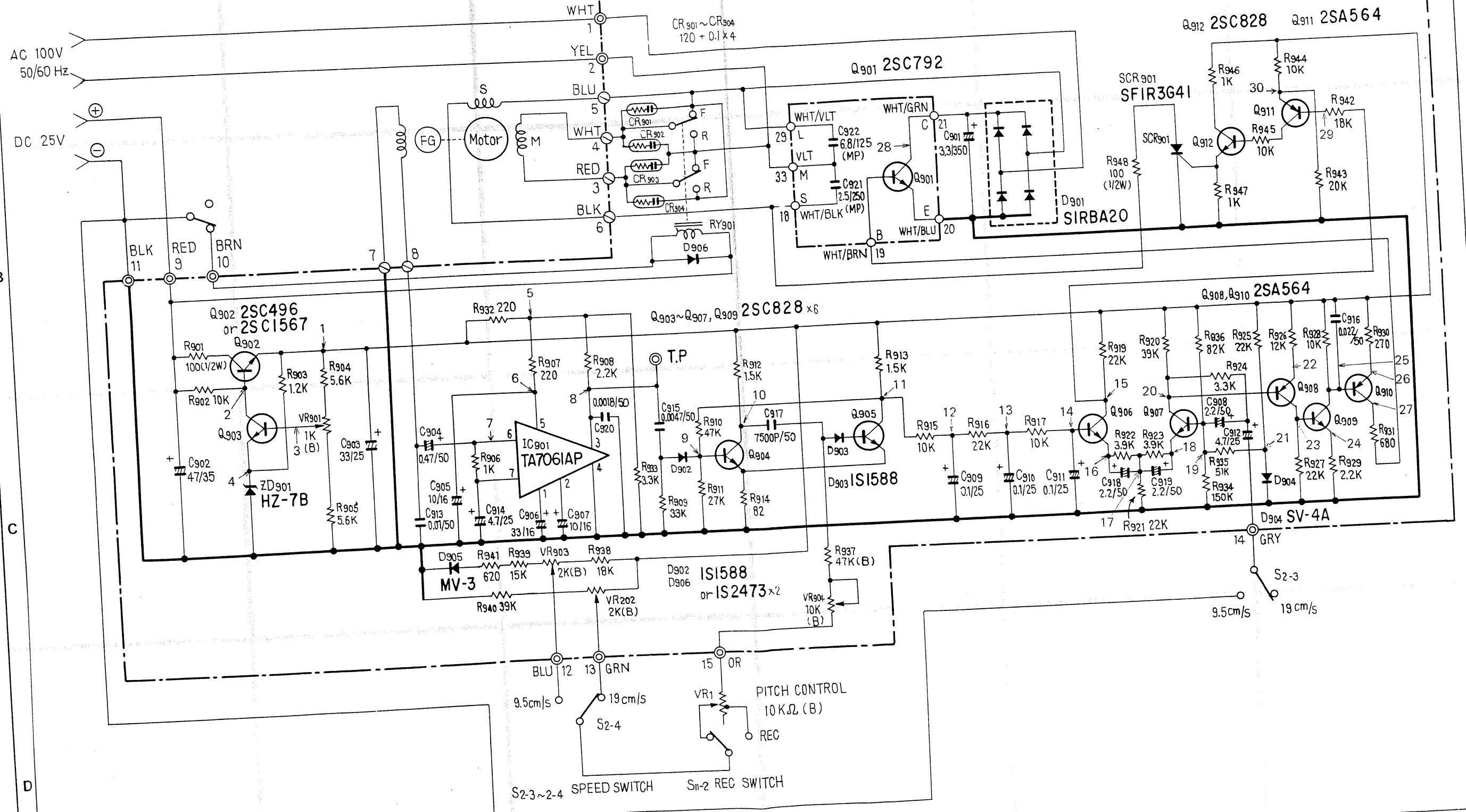
Symbol	Part No.	Description
R1101	RD½PS 104J	Carbon film 100k
R1102	RD½PS 104J	Carbon film 100k
R1103	RD½PS 824J	Carbon film 820k
R1104	RD½PS 824J	Carbon film 820k
R1105	RD½PS 221J	Carbon film 220
R1106	RD½PS 221J	Carbon film 220
R1107	RD½PS 472J	Carbon film 4.7k
R1108	RD½PS 472J	Carbon film 4.7k
R1109	RD½PS 394J	Carbon film 390k
R1110	RD½PS 394J	Carbon film 390k
R1111	RD½PS 105J	Carbon film 1M
R1112	RD½PS 105J	Carbon film 1M

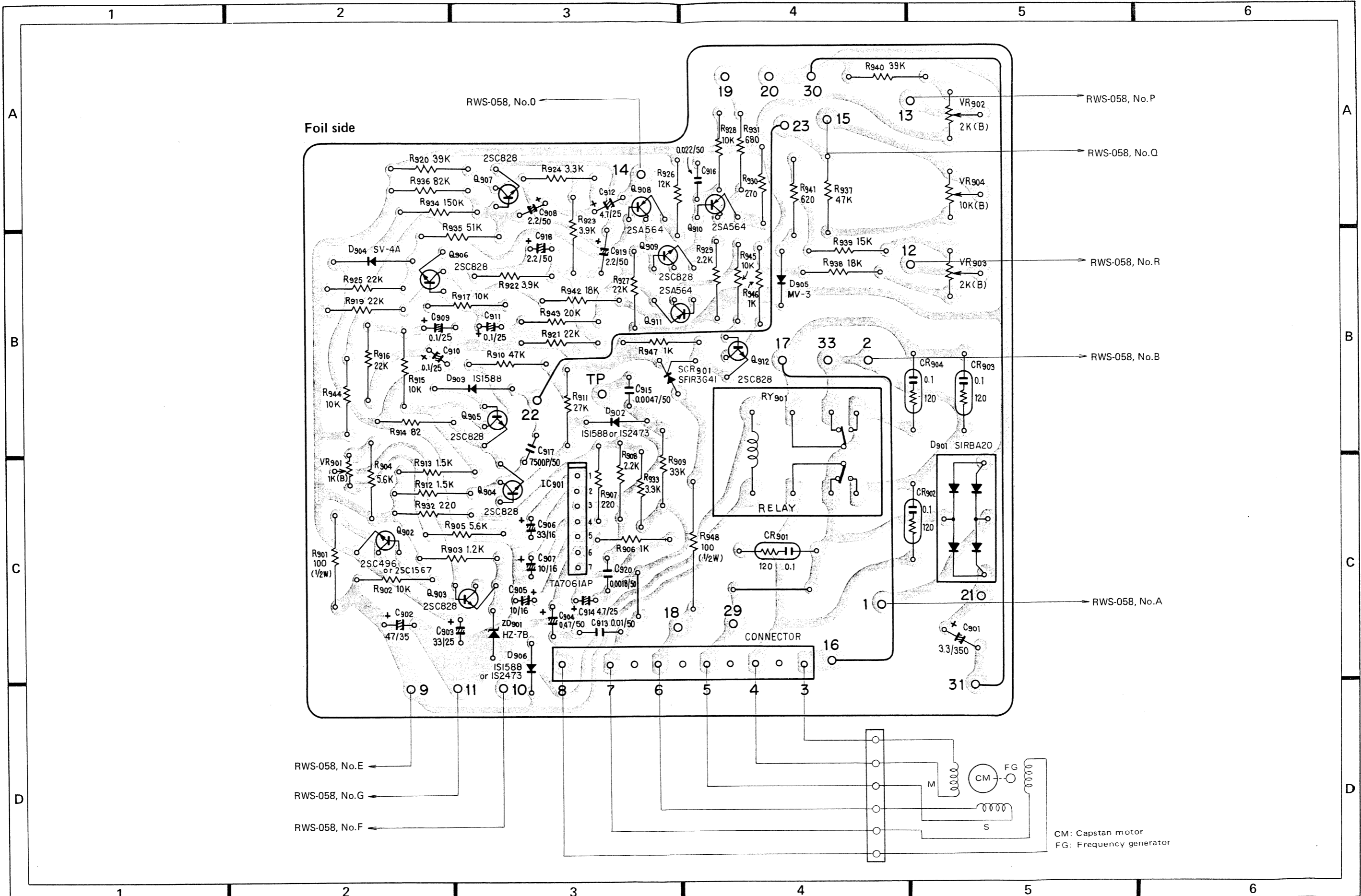
SEMICONDUCTORS

Symbol	Part No.	Description
IC1101	TA7129P	IC
IC1102	TA7129P	IC
Q1101	2SK30A-Y or O	FET
Q1102	2SK30A-Y or O	FET

6.10 SERVO AMPLIFIER ASSEMBLY (RWG-076)

NOTE:
The voltage at each measure points are indicated on page 111.





RWS-058, No.E
 RWS-058, No.G
 RWS-058, No.F

CM: Capstan motor
 FG: Frequency generator

The Measurement Voltage of Servo Amplifier (RWG-076)

- The number of measurement points are indicated on page 107.
- The motor is non load situation.
- Prepare the high input impedance meter for measure the points 13 ~ 22.

Measurement point	Measurement Voltage (V)
.1	15.0
2	15.6
3	7.7
4	7.0
5	10.8
6	7.6
7	2.0 (DC ingredient)
8	Fig. 12
9	Fig. 13
10	Fig. 14
11	Fig. 15
12	Fig. 16
13	6.1 (DC ingredient)
14	6.1 (DC ingredient)
15	10.8
16	5.6
17	4.8
18	4.9
19	5.5
20	14.1
21	1.42
22	14.8
23	0.7 (0.66)
24	0.14 (0.11)
25	14.6 (14.7)
26	0.71 (0.56)
27	15
28	Fig. 17
29	10.8
30	10.1

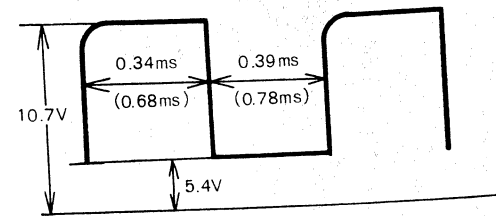


Fig. 12

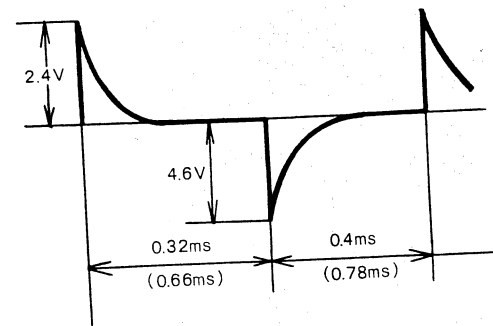


Fig. 13

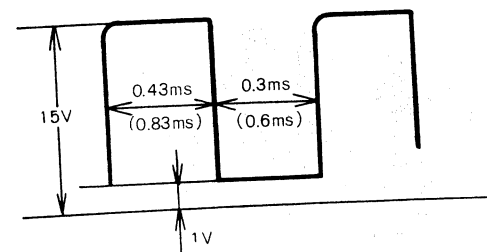


Fig. 14

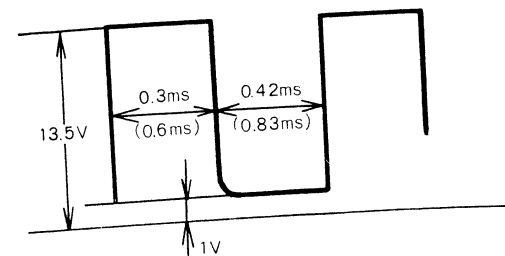


Fig. 15

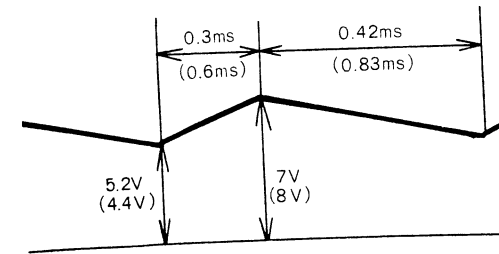


Fig. 16

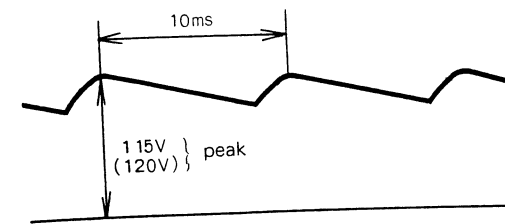


Fig. 17

Parts List of Servo Amplifier Assembly (RWG-076)

CAPACITORS

Symbol	Part No.	Description		
C901	RCH-029	Electrolytic	3.3	350V
C902	CEA 470P 35	Electrolytic	47	35V
C903	CEA 330P 25	Electrolytic	33	25V
C904	CEA 0R47P 50	Electrolytic	0.47	50V
C905	CEA 100P 16	Electrolytic	10	16V
C906	CEA 330P 16	Electrolytic	33	16V
C907	CEA 100P 16	Electrolytic	10	16V
C908	RCH-032	Electrolytic	2.2	50V
C909	CSSA 0R1M 25	Electrolytic	0.1	25V
C910	CSSA 0R1M 25	Electrolytic	0.1	25V
C911	CSSA 0R1M 25	Electrolytic	0.1	25V
C912	RCH-033	Electrolytic	4.7	25V
C913	CQMA 103K 50	Mylar	0.01	50V
C914	CEA 4R7P 25	Electrolytic	4.7	25V
C915	CQMA 472K 50	Mylar	0.0047	50V
C916	CQMA 223K 50	Mylar	0.022	50V
C917	RCE-027	Styrol	0.0075	50V
C918	RCH-032	Electrolytic	2.2	50V
C919	RCH-032	Electrolytic	2.2	50V
C920	CQMA 182K 50	Mylar	0.0018	50V
C921		Metallized paper	2.5	250V
C922		Electrolytic	6.8	125V

RESISTORS

Symbol	Part No.	Description		
VR901	RCP-036	Semi-fixed	1k-B	
VR902	RCP-034	Semi-fixed	2k-B	
VR903	RCP-034	Semi-fixed	2k-B	
VR904	RCP-035	Semi-fixed	10k-B	
R901	RD $\frac{1}{4}$ PSF 101K	Carbon film	100	$\frac{1}{2}$ W
R902	RD $\frac{1}{4}$ PSF 103K	Carbon film	10k	
R903	RD $\frac{1}{4}$ PS 122J	Carbon film	1.2k	
R904	RD $\frac{1}{4}$ PS 562J	Carbon film	5.6k	
R905	RD $\frac{1}{4}$ PS 562J	Carbon film	5.6k	
R906	RD $\frac{1}{4}$ PS 102J	Carbon film	1k	
R907	RD $\frac{1}{4}$ PS 221J	Carbon film	220	
R908	RD $\frac{1}{4}$ PS 222J	Carbon film	2.2k	
R909	RD $\frac{1}{4}$ PS 333J	Carbon film	33k	
R910	RD $\frac{1}{4}$ PS 473J	Carbon film	47k	
R911	RD $\frac{1}{4}$ PS 273J	Carbon film	27k	
R912	RD $\frac{1}{4}$ PS 152J	Carbon film	1.5k	

Symbol	Part No.	Description
R913	RD4PS 152J	Carbon film 1.5k
R914	RD4PS 820J	Carbon film 82
R915	RD4PS 103J	Carbon film 10k
R916	RD4PS 223J	Carbon film 22k
R917	RD4PS 103J	Carbon film 10k
R918		
R919	RD4PS 223J	Carbon film 22k
R920	RD4PS 393J	Carbon film 39k
R921	RD4PS 223J	Carbon film 22k
R922	RD4PS 392J	Carbon film 3.9k
R923	RD4PS 392J	Carbon film 3.9k
R924	RD4PS 332J	Carbon film 3.3k
R925	RD4PS 223J	Carbon film 22k
R926	RD4PS 123J	Carbon film 12k
R927	RD4PS 223J	Carbon film 22k
R928	RD4PS 103J	Carbon film 10k
R929	RD4PS 222J	Carbon film 2.2k
R930	RD4PS 271J	Carbon film 270
R931	RD4PS 681J	Carbon film 680
R932	RD4PS 221J	Carbon film 220
R933	RD4PS 332J	Carbon film 3.3k
R934	RD4PS 154J	Carbon film 150k
R935	RN4PS 513G	Metal film 51k
R936	RN4PS 823G	Metal film 82k
R937	RN4PS 473G	Metal film 47k
R938	RN4PS 183G	Metal film 18k
R939	RN4PS 153G	Metal film 15k
R940	RN4PS 393G	Metal film 39k
R941	RD4PS 621J	Carbon film 620
R942	RD4PS 183J	Carbon film 18k
R943	RD4PS 203J	Carbon film 20k
R944	RD4PS 103J	Carbon film 10k
R945	RD4PS 103J	Carbon film 10k
R946	RD4PS 102J	Carbon film 1k
R947	RD4PS 102J	Carbon film 1k
R948	RD4PSF 101K	Carbon film 100

1/2W

Symbol	Part No.	Description
Q906	2SC828-R	Transistor
Q907	2SC828-R	Transistor
Q908	2SA564-Q	Transistor
Q909	2SC828-R	Transistor
Q910	2SA564-Q	Transistor
Q911	2SA564-Q	Transistor
Q912	2SC828-R	Transistor
D901	S1RBA20	Diode
D902	1S1588 or 1S2473	Diode
D903	1S1588	Diode
D904	SV-4A	Diode
D905	MV-3	Diode
D906	1S1588 or 1S2473	Diode
ZD901	HZ7B	Zener Diode
SCR961	SFIR3G41	Thyristor

OTHERS

Symbol	Part No.	Description
RY901	RSR-016	Relay
CR901	RWX-030	Spark killer
CR902	RWX-030	Spark killer
CR903	RWX-030	Spark killer
CR904	RWX-030	Spark killer
	RKP-019	Connector socket assembly
	RKP-020	Connector
	REC-247	Insulator sheet
	AKH-001	Tr socket
	RNF-224	Heat sink

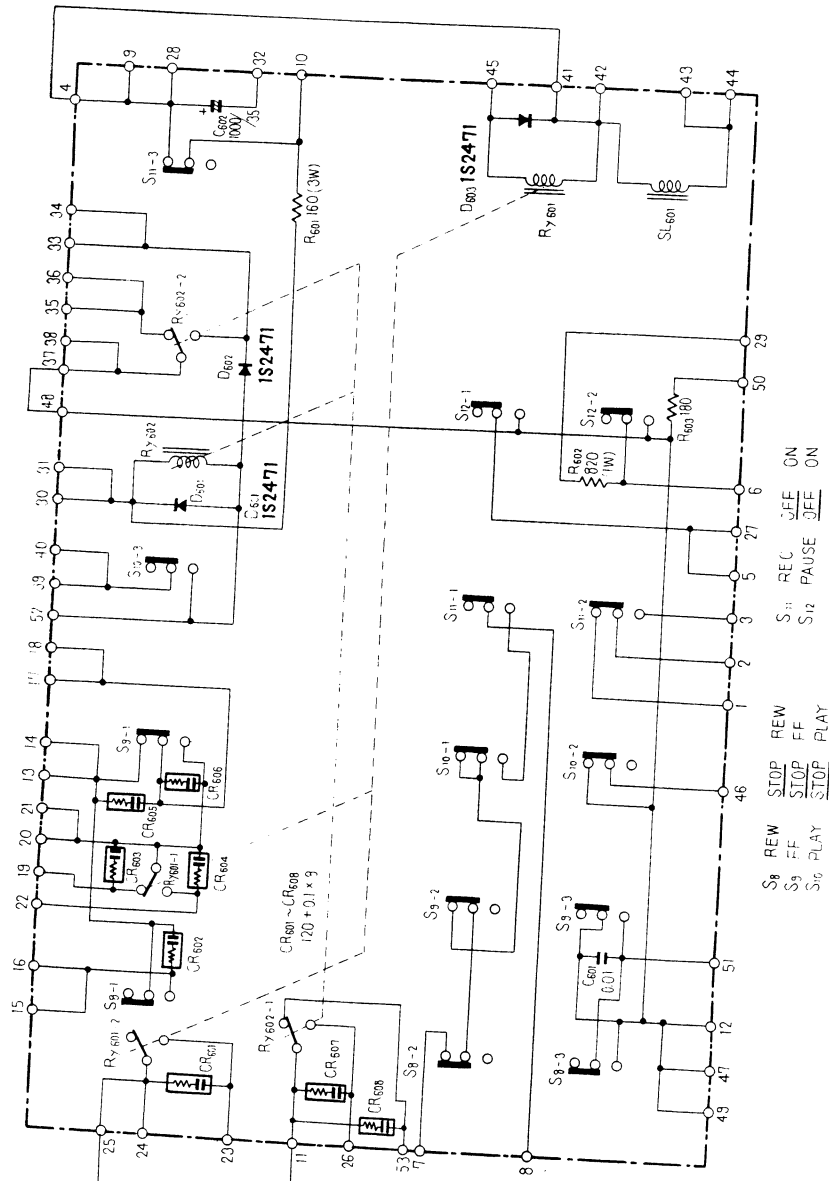
List of Changed Parts for Factory Modification

Symbol	Part No.	Description

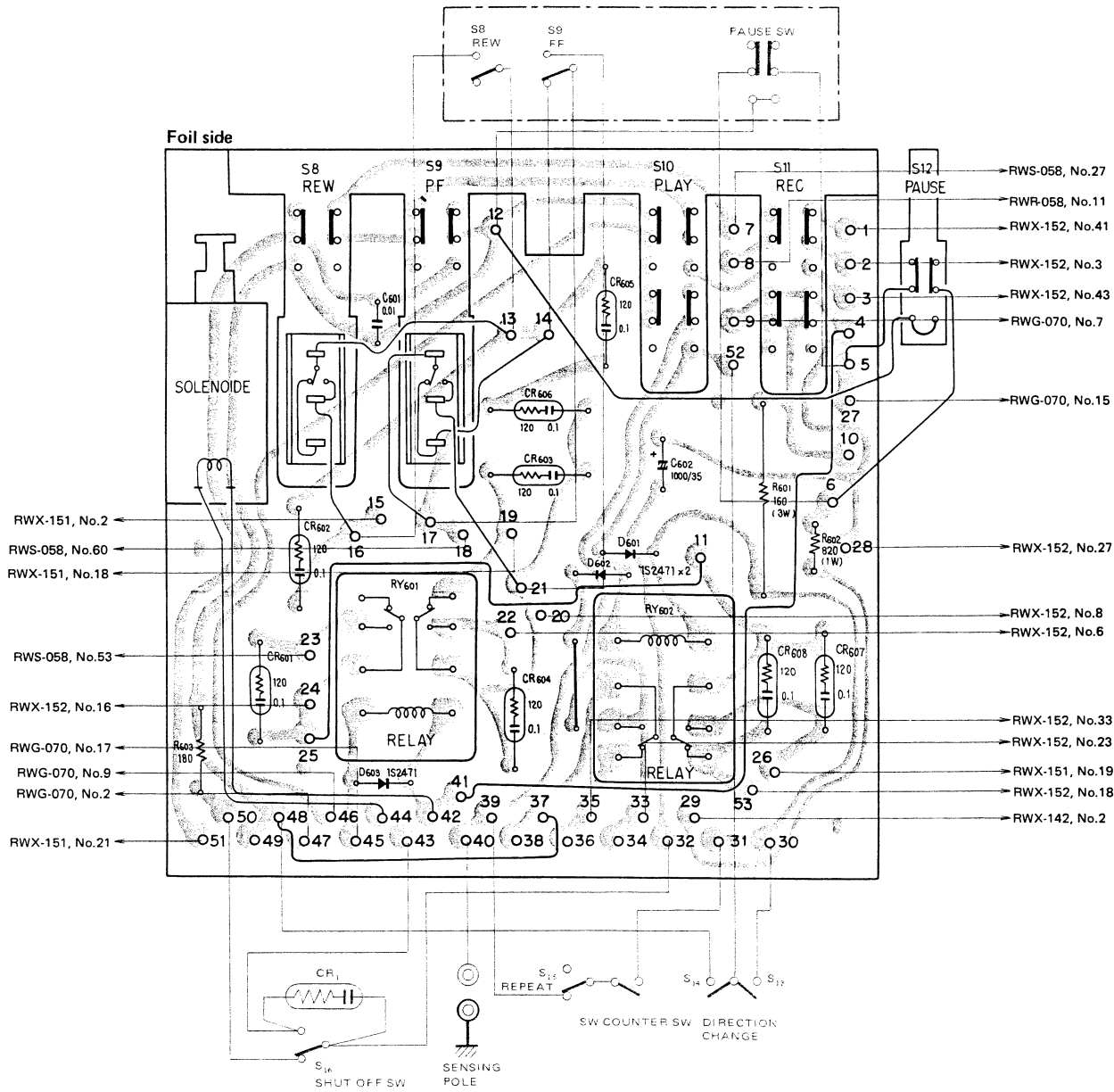
SEMICONDUCTORS

Symbol	Part No.	Description
IC901	TA 7061AP	IC
Q901	2SC792	Transistor
Q902	2SC496-Y or O or 2SC1567-R or S	Transistor
Q903	2SC828-R	Transistor
Q904	2SC828-R	Transistor
Q905	2SC828-R	Transistor

6.11 FUNCTION SWITCH ASSEMBLY (RWS-052)



S8 REW STOP REW
 S9 FF STOP FF
 S10 PLAY STOP PLAY
 S11 REC JFF ON
 S12 PAUSE JFF ON



Parts List

SWITCHES

Symbol	Part No.	Description
S8	RSG-050	Switch
S9	RSG-050	Switch
S10	RSG-050	Switch
S11	RSG-050	Switch
S12	RSG-048	Switch

CAPACITORS

Symbol	Part No.	Description		
C601	CKDYF 103Z 50	Ceramic	0.01	50V
C602	CEA 102P 35	Electrolytic	1,000	35V

RESISTORS

Symbol	Part No.	Description		
R601	RS3P 161J	Metal oxide	160	3W
R602	RS1P 821J	Metal oxide	820	1W
R603	RD½PS 181J	Carbon film	180	

SEMICONDUCTOR

Symbol	Part No.	Description
D601	1S2471	Diode
D602	1S2471	Diode
D603	1S2471	Diode

OTHERS

Symbol	Part No.	Description
SL601	RXP-042	Solenoid (RELEASE)
RY601	RSR-016	Relay
RY602	RSR-022	Relay (12V)
CR601	RWX-030	Spark killer
CR602	RWX-030	Spark killer
CR603	RWX-030	Spark killer
CR604	RWX-030	Spark killer
CR605	RWX-030	Spark killer
CR606	RWX-030	Spark killer
CR607	RWX-030	Spark killer
CR608	RWX-030	Spark killer
RNF-084		Release plate
RBH-152		Release spring

6.12 SWITCH ASSEMBLY (RWS-059... KC) (RWS-058... KU)

Parts List

SWITCHES

Symbol	Part No.	Description
S1	RSG-051	Push switch
S2	RSG-051	Push switch
S3	RSG-051	Push switch
S4	RSG-051	Push switch
S5	RSG-051	Push switch
S6	RSG-051	Push switch

CAPACITOR

Symbol	Part No.	Description		
C701	CQSA 221J 250	Styrol	220p	250V

RESISTORS

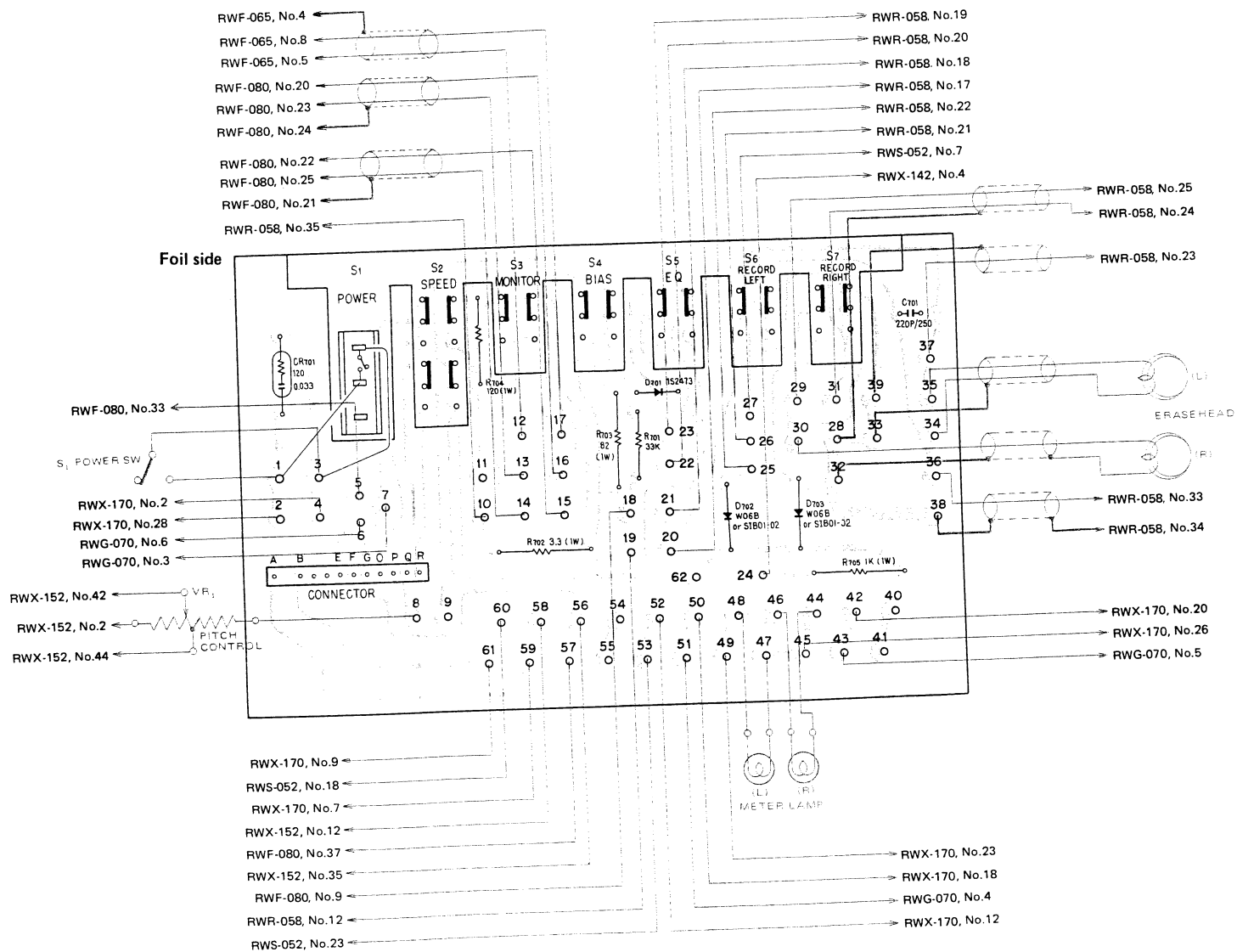
Symbol	Part No.	Description		
R701	RD4PS 333J	Carbon film	33k	
R702	RN1PSF 3R3J	Metal film	3.3	1W
R703	RS1P 820J	Metal oxide	82	1W
R704	RS1P 121J	Metal oxide	120	1W
R705	RS1P 102J	Metal oxide	1k	1W

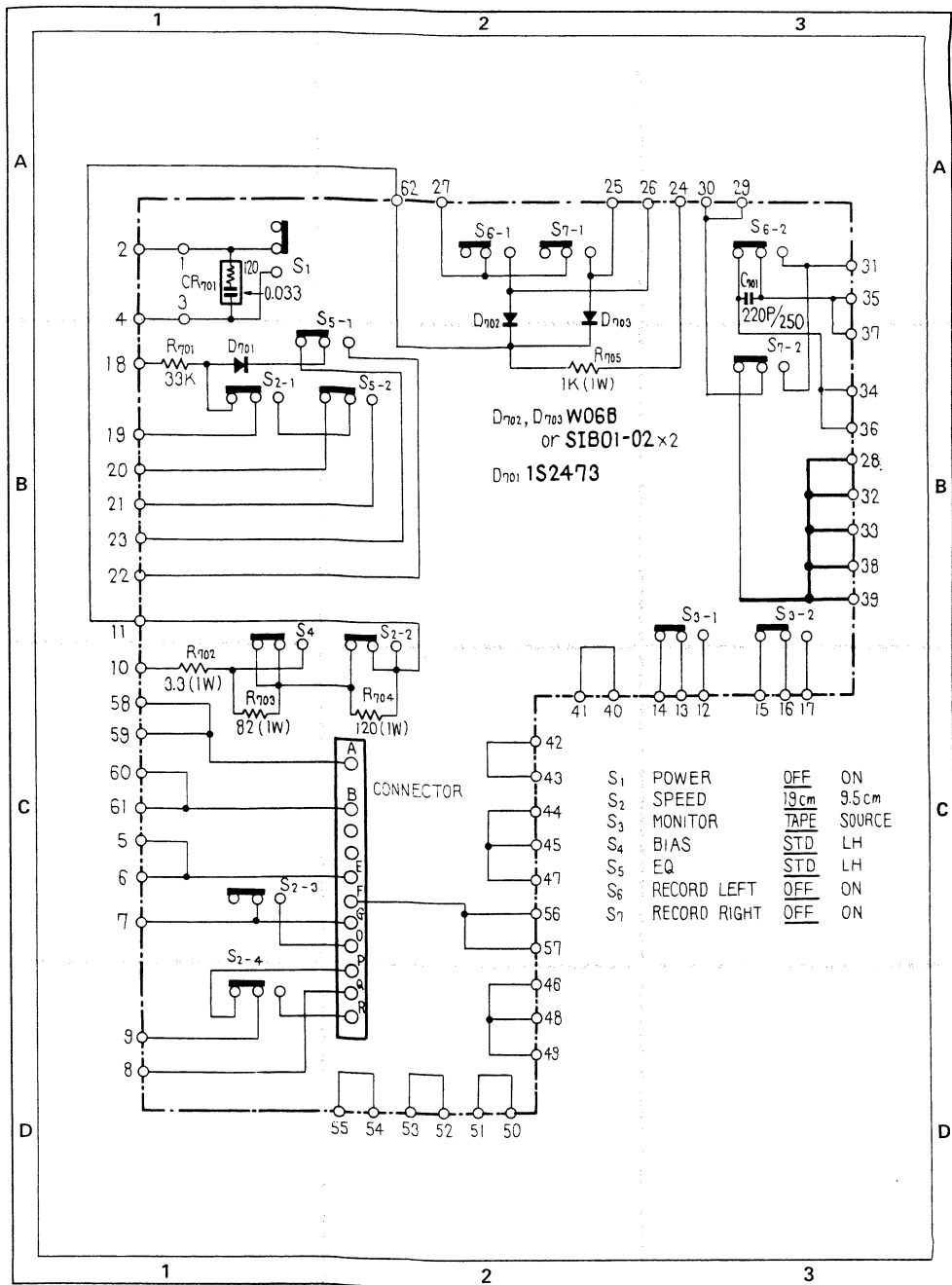
SEMICONDUCTORS

Symbol	Part No.	Description
D701	1S2473	Diode
D702	SIB01-02 or W06B	Diode
D703	SIB01-02 or W06B	Diode

OTHERS

Symbol	Part No.	Description
CR701	RWX-109	Spark killer (KU)
CR701	RWX-148	Spark killer (KC)
CR701	RWX-150	Spark killer (KC)
	AKP-018	Connector





3-MOTOR 4-HEAD TAPE DECK

RT-707

HG

Additional

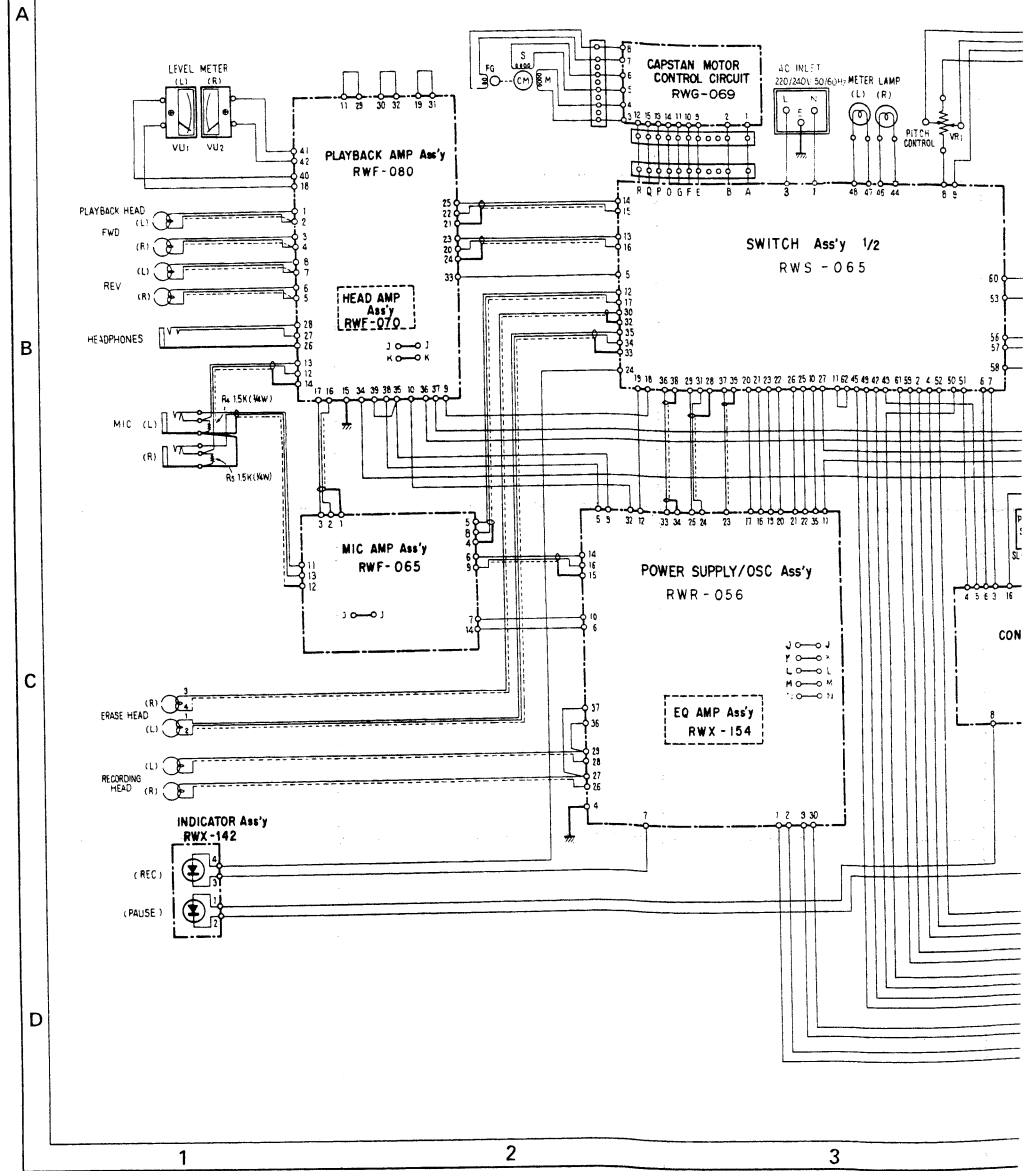
Service Manual

 PIONEER®

CONTENTS

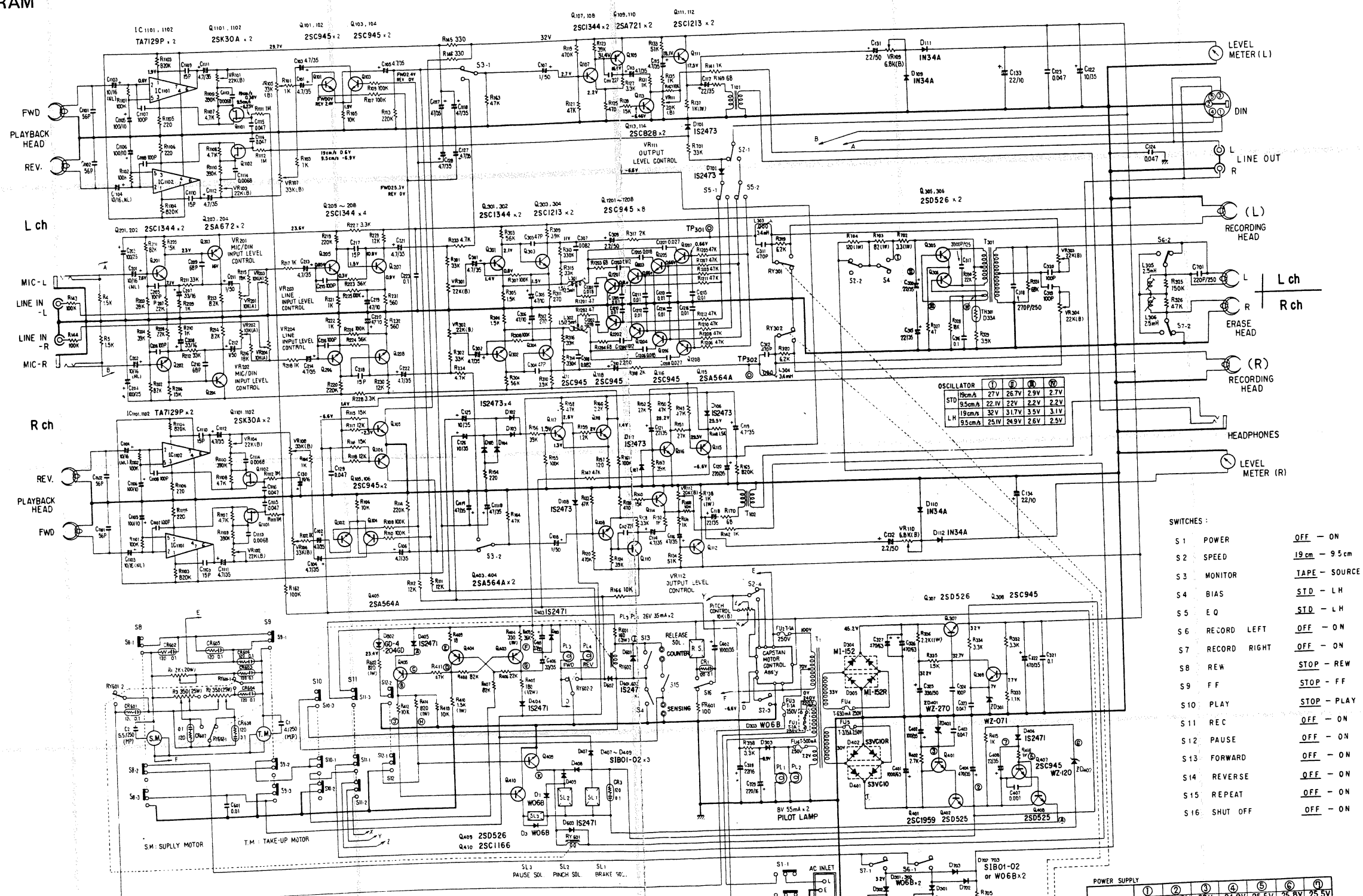
1. CONNECTION DIAGRAM FOR RT-707/HG	123
2. SCHEMATIC DIAGRAM, P.C. BOARD PATTERNS AND PARTS LISTS	
2.1 Schematic Diagram	125
2.2 Fuse Assembly (RWX-185)	127
2.3 Function Switch Assembly (RWS-066)	128
2.4 Control Assembly (RWG-082)	131
2.5 Switch Assembly (RWS-065)	134
2.6 Power and Oscillation Assembly (RWR-056)	137
2.7 Playback Amplifier Assembly (RWF-080)	143
2.8 Servo. Amplifier Assembly (RWG-069)	149

1. CONNECTION DIAGRAM FOR RT-707/HG



2. SCHEMATIC DIAGRAM, P.C BOARD PATTERNS AND PARTS LISTS

2.1 SCHEMATIC DIAGRAM



OSCILLATOR

STD	19cm/s	27V	26.7V	2.9V	2.7V
STD	9.5cm/s	22V	2.2V	2.2V	2.2V
LH	19cm/s	32V	31.7V	3.5V	3.1V
LH	9.5cm/s	25V	24.9V	2.6V	2.5V

SWITCHES :

S 1	POWER	OFF - ON
S 2	SPEED	19 cm - 9.5 cm
S 3	MONITOR	TAPE - SOURCE
S 4	BIAS	STD - LH
S 5	EQ	STD - LH
S 6	RECORD LEFT	OFF - ON
S 7	RECORD RIGHT	OFF - ON
S 8	REW	STOP - REW
S 9	FF	STOP - FF
S 10	PLAY	STOP - PLAY
S 11	REC	OFF - ON
S 12	PAUSE	OFF - ON
S 13	FORWARD	OFF - ON
S 14	REVERSE	OFF - ON
S 15	REPEAT	OFF - ON
S 16	SHUT OFF	OFF - ON

CONTROL

	(A)	(B)	(C)	(D)	(E)	(F)	(G)	(H)	(I)	(K)	(L)
STOP	25.5V	0V	25.0V	25.4V	25.5V	24.7V	0V	0V	25.5V	25.5V	
PLAY	24.4V	24.3V	23.6V	1.8V	25.2V	25.2V	0.8V	0.8V	0.3V	25.2V	
PLAY/REC	24.4V	24.3V	23.6V	1.8V	25.2V	25.2V	0.8V	0.8V	0.3V	0.1V	
FAST	25.3V	0V	25.0V	25.2V	25.3V	25.6V	0.9V	0V	25.5V	25.5V	
PLAY/PAUSE	24.8V	24.4V	23.9V	1.8V	25.7V	25.6V	25.1V	0V	0.8V	25.5V	13.6V

DC VOLTAGE AT NO INPUT SIGNAL

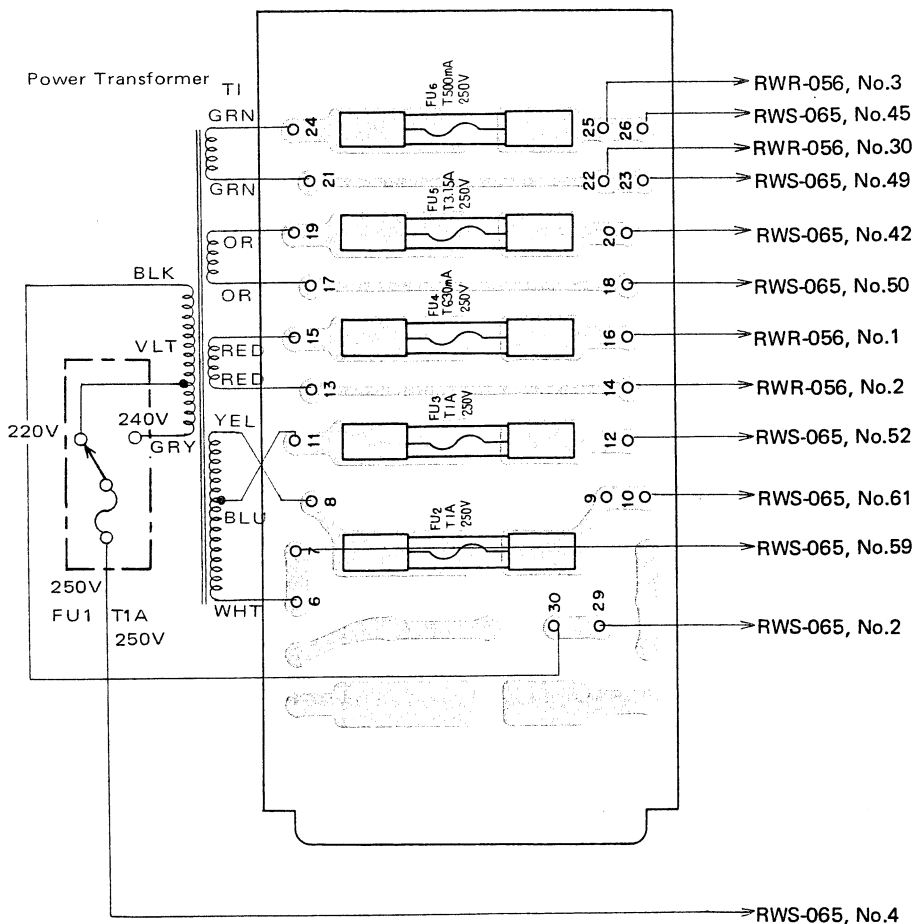
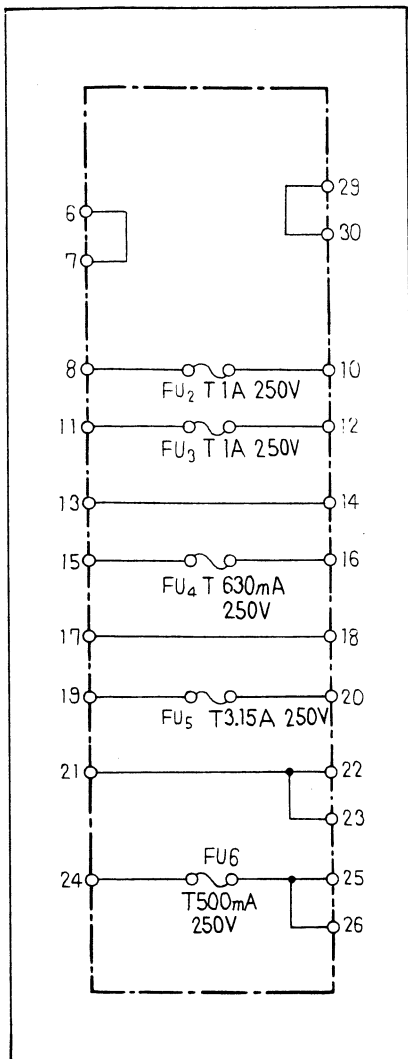
RESISTORS:
IN OHM $\pm 5\%$ TOLERANCE UNLESS OTHERWISE NOTED
K: K, M: M, W: W

CAPACITORS:
IN μ F UNLESS OTHERWISE NOTED
P: pF

POWER SUPPLY

STOP	41V	25.6V	27V	24.9V	25.5V	25.8V	25.5V
PLAY	33.6V	25.2V	26.6V	11V	12.4V	12.9V	12.4V
FAST	38V	25.4V	26.8V	11V	12.4V	12.7V	12.4V

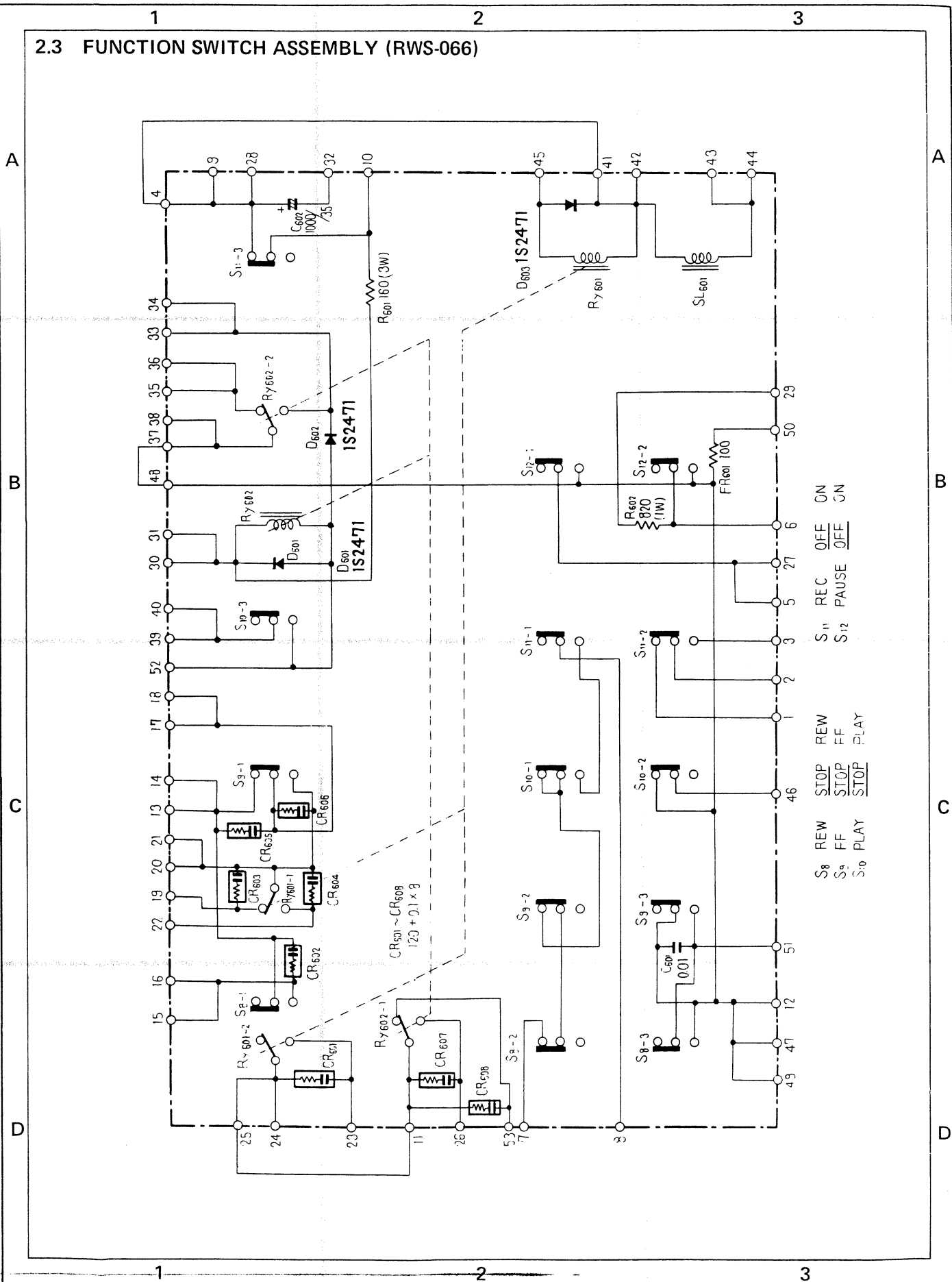
2.2 FUSE ASSEMBLY (RWX-185)



Parts List

Symbol	Part No.	Description
FU2	REK-056	Fuse
FU3	REK-056	Fuse
FU4	REK-061	Fuse
FU5	REK-047	Fuse
FU6	REK-049	Fuse
	RKR-013	Fuse clip

2.3 FUNCTION SWITCH ASSEMBLY (RWS-066)



S₈ REW STOP REW S₁₁ REC OFF ON
 S₉ FF STOP FF S₁₂ PAUSE OFF ON
 S₁₀ PLAY STOP PLAY

Parts List

SWITCHES

Symbol	Part No.	Description
S8	RSG-050	Function switch
S9	RSG-050	Function switch
S10	RSG-050	Function switch
S11	RSG-050	Function switch
S12	RSG-048	Function switch

CAPACITORS

Symbol	Part No.	Description
C601	CKDYF 103Z 50	Ceramic 0.01 50V
C602	CEA 102P 35	Electrolytic 1000 35V

RESISTORS

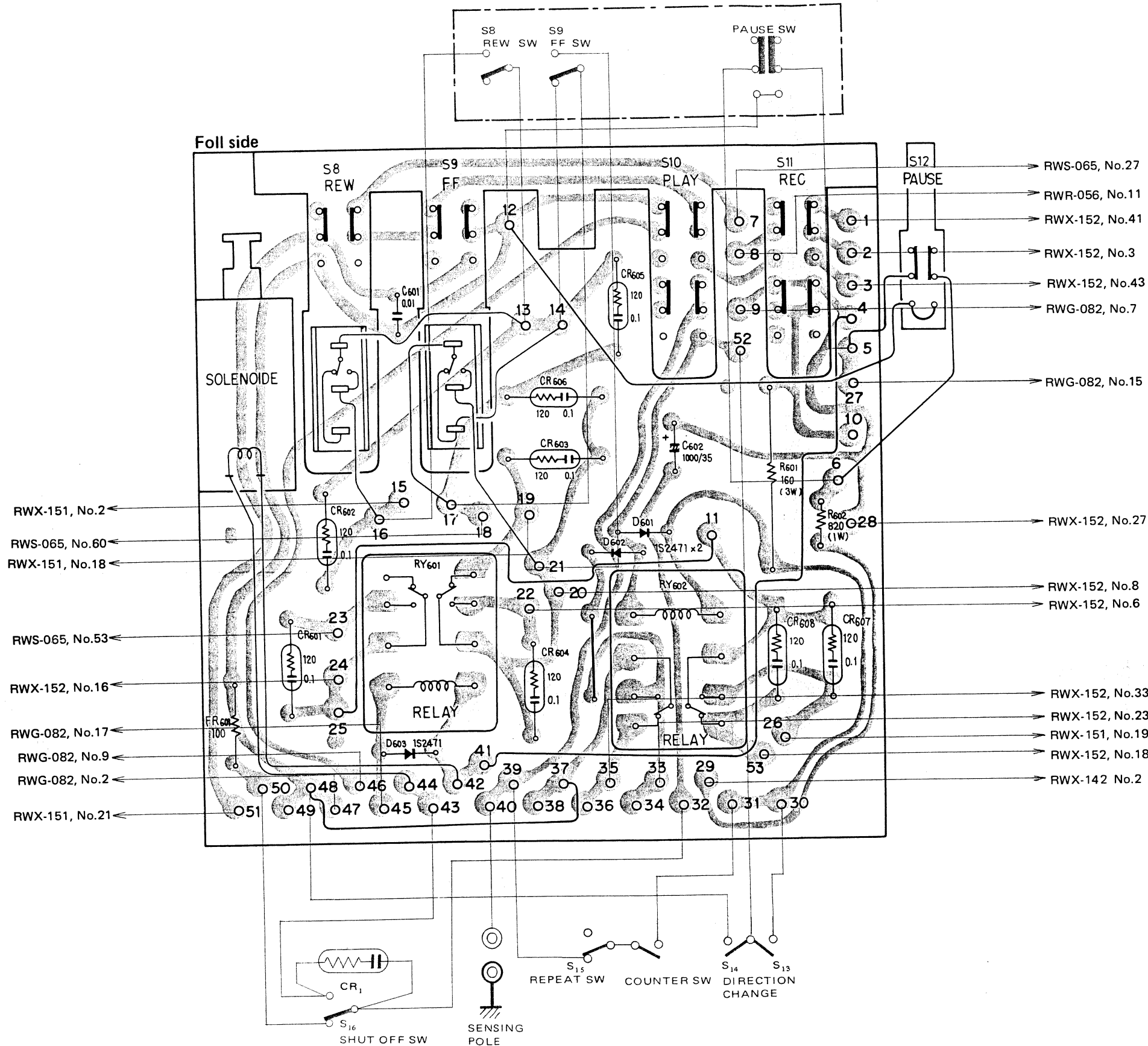
Symbol	Part No.	Description
R601	RS3P 161J	Metal oxide 160 3W
R602	RS1P 821J	Metal oxide 820 1W
FR601	REK-062	Temperature responding resistor

SEMICONDUCTORS

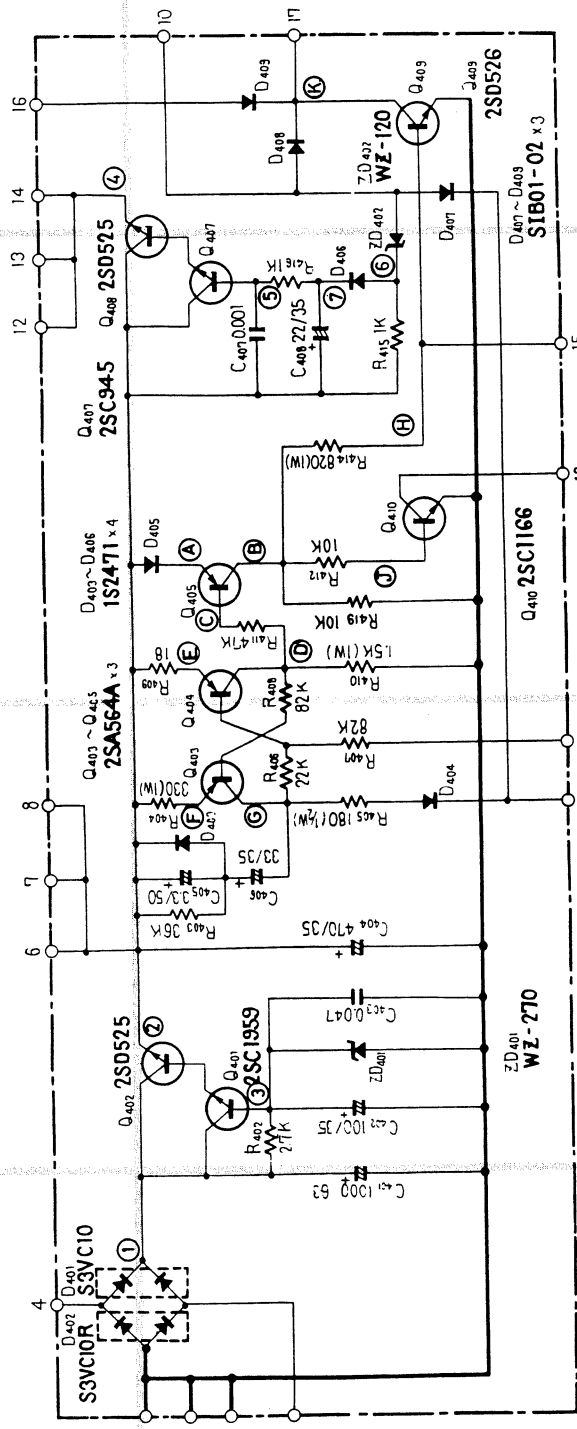
Symbol	Part No.	Description
D601	1S2471	Diode
D602	1S2471	Diode
D603	1S2471	Diode

OTHERS

Symbol	Part No.	Description
RY601	RSR-016	Relay
RY602	RSR-022	Relay
SL601	RXP-042	Solenoid
CR601	RWX-030	Spark killer
CR602	RWX-030	Spark killer
CR603	RWX-030	Spark killer
CR604	RWX-030	Spark killer
CR605	RWX-030	Spark killer
CR606	RWX-030	Spark killer
CR607	RWX-030	Spark killer
CR608	RWX-030	Spark killer



2.4 CONTROL ASSEMBLY (RWG-082)

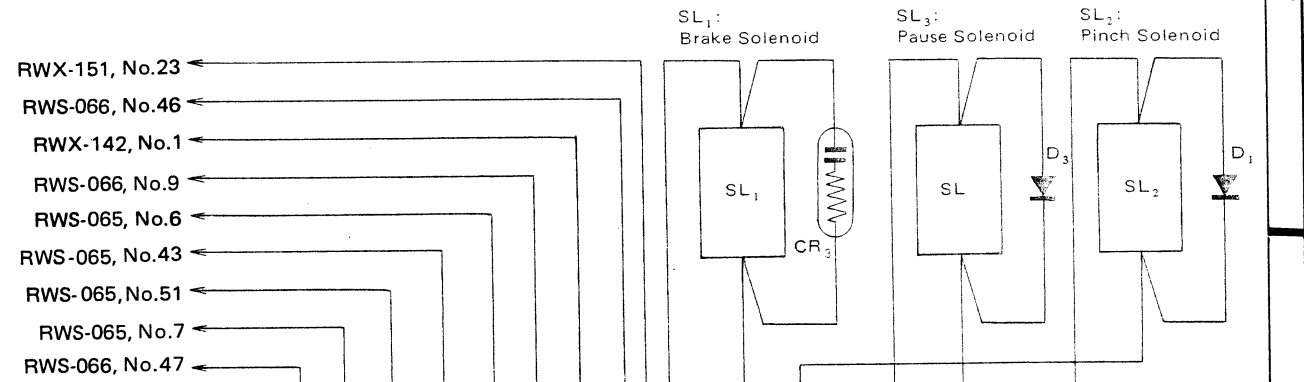


POWER SUPPLY

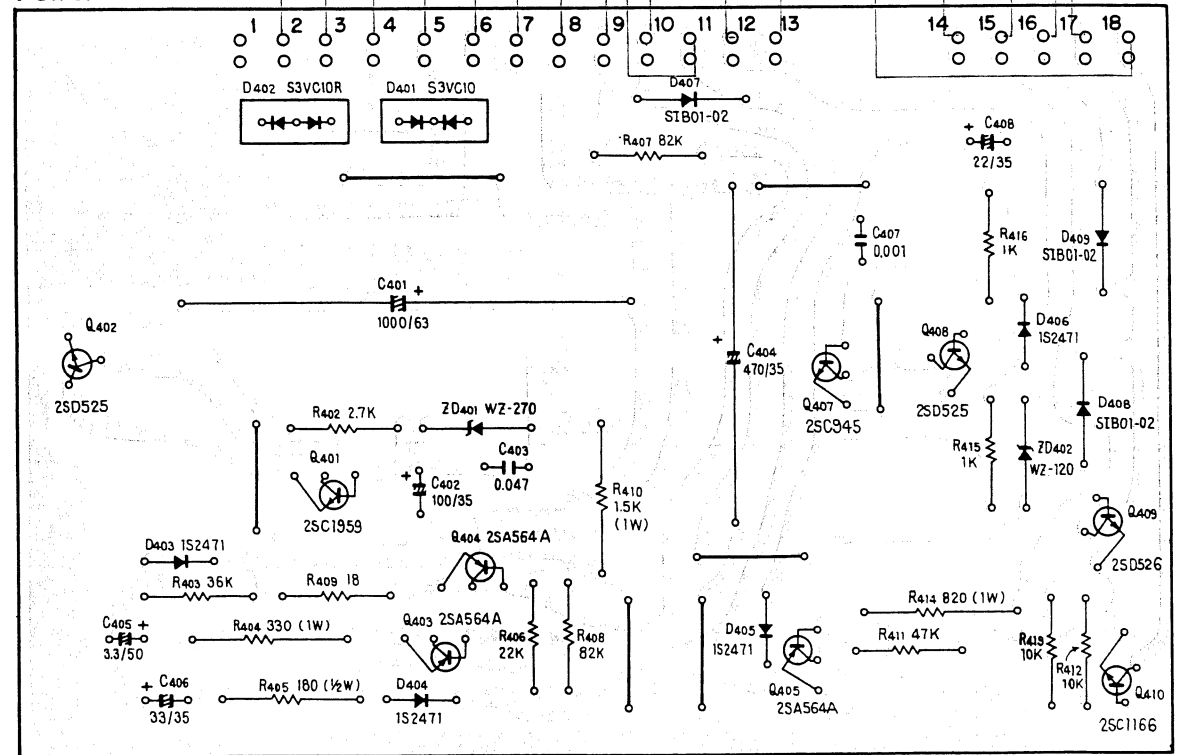
①	②	③	④	⑤	⑥	⑦
STOP	41V	25.6V	24.9V	25.5V	25.8V	25.5V
PLAY	33.6V	25.2V	28.6V	11V	12.4V	12.4V
FAST	38V	25.4V	26.8V	11V	12.4V	12.4V

CONTROL

⑧	⑨	⑩	⑪	⑫	⑬	⑭	⑮	⑯
STOP	25.5V	0V	25.5V	25.8V	24.7V	0V	25.5V	0V
PLAY	24.4V	24.3V	23.6V	1.8V	25.2V	25.2V	0.8V	0.3V
PLAY/REC	24.4V	24.3V	23.6V	1.8V	25.2V	25.2V	0.8V	0.3V
FAST	25.3V	0V	25.0V	25.2V	25.3V	25.6V	0.9V	0V
PLAY/PAUSE	24.8V	24.4V	23.9V	1.8V	25.7V	25.6V	0.8V	25.5V



Foil side



Parts List

CAPACITORS

Symbol	Part No.	Description
C401	CEB 102P 63	Electrolytic 1000 63V
C402	CEA 101P 35	Electrolytic 100 35V
C403	CQMA 473K 50	Mylar 0.047 50V
C404	CEB 471P 35	Electrolytic 470 35V
C405	CEA 3R3P 50	Electrolytic 3.3 50V
C406	CEA 330P 35	Electrolytic 33 35V
C407	CQMA 102K 50	Mylar 0.001 50V
C408	CEA 220P 35	Electrolytic 22 35V

Symbol	Part No.	Description
ZD401	WZ-270	Zener Diode
ZD402	WZ-120	Zener Diode

OTHERS

Symbol	Part No.	Description
	REE-051	Insulator spacer
	AKH-002	Tr socket
	RNF-083	Heat sink

RESISTORS

Symbol	Part No.	Description
R402	RD½PS 272J	Carbon film 2.7k
R403	RD½PS 363J	Carbon film 36k
R404	RN1PSF 331J	Metal film 330 1W
R405	RD½PSF 181J	Carbon film 180 ½W
R406	RD½PS 223J	Carbon film 22k
R407	RD½PS 823J	Carbon film 82k
R408	RD½PS 823J	Carbon film 82k
R409	RD½PS 180J	Carbon film 18
R410	RS1P 152J	Metal oxide 1.5k 1W
R411	RD½PS 473J	Carbon film 47k
R412	RD½PS 103J	Carbon film 10k
R414	RS1P 821J	Metal oxide 820 1W
R415	RD½PS 102J	Carbon film 1k
R416	RD½PS 102J	Carbon film 1k
R419	RD½PS 103J	Carbon film 10k

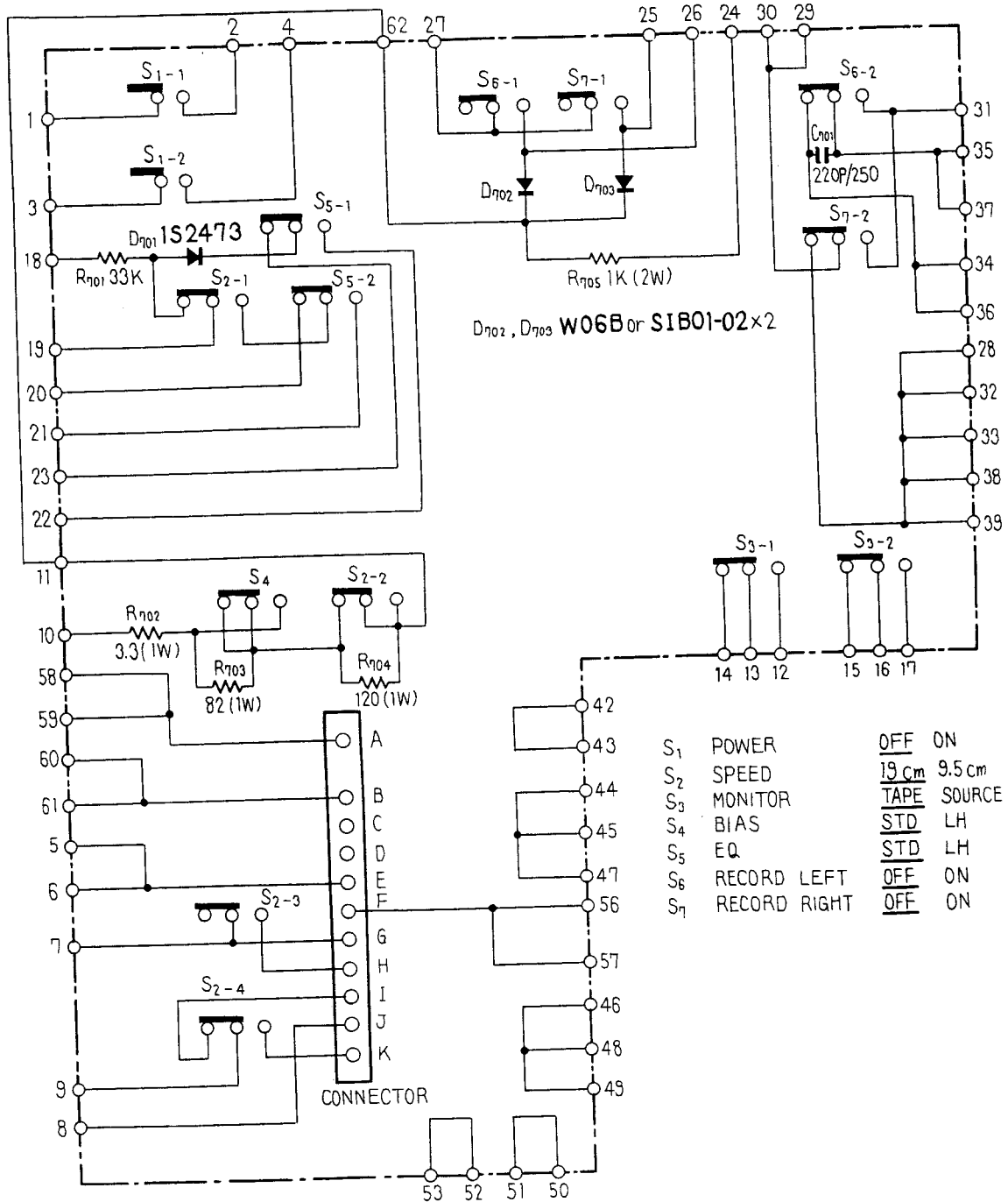
List of Changed Parts for Factory Modification

Symbol	Part No.	Description
--------	----------	-------------

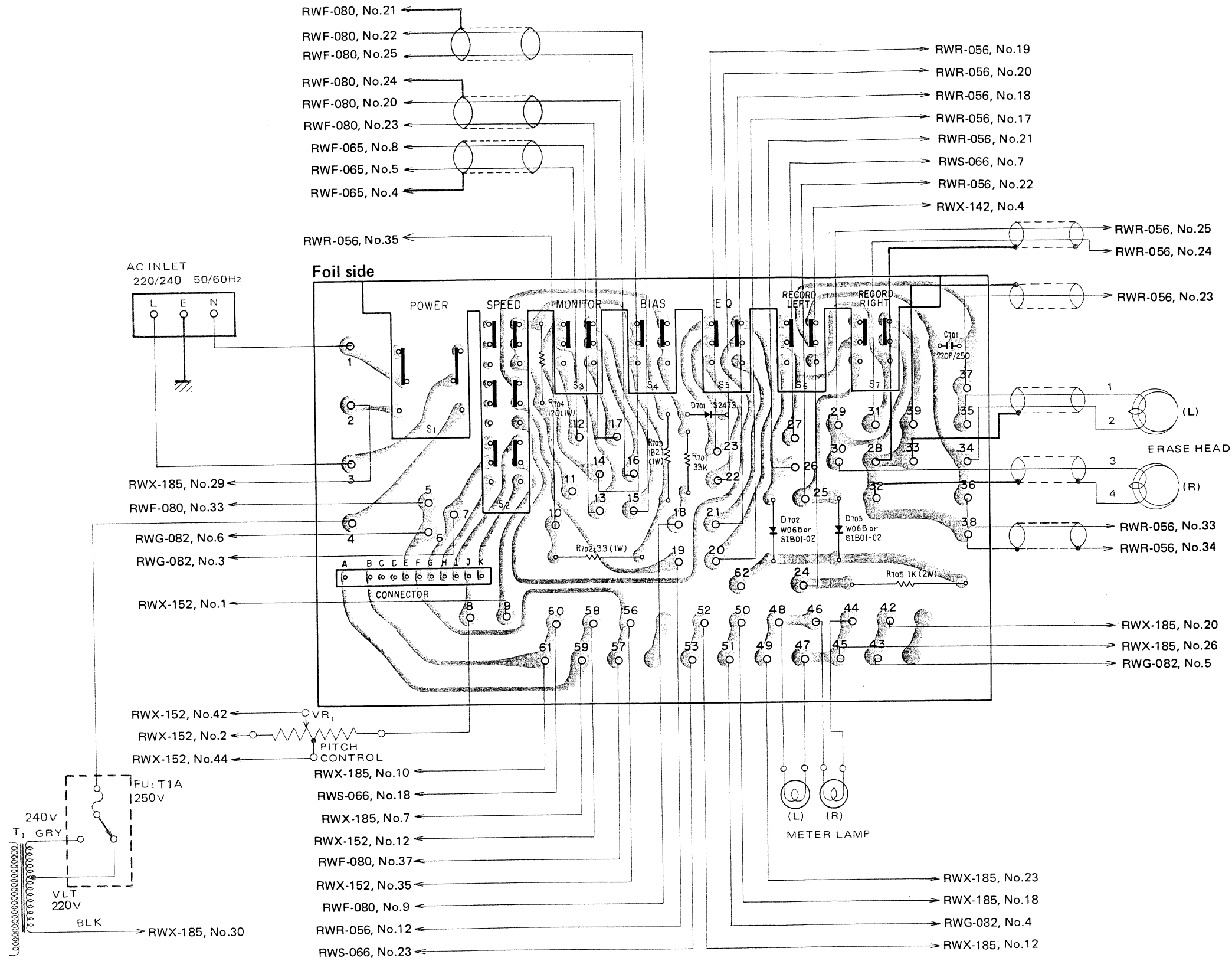
SEMICONDUCTORS

Symbol	Part No.	Description
Q401	2SC1959-Y	Transistor
Q402	2SD525-O or Y	Transistor
Q403	2SA564A-R or S	Transistor
Q404	2SA564A-R or S	Transistor
Q405	2SA564A-R or S	Transistor
Q406		
Q407	2SC945-P or Q	Transistor
Q408	2SD525-O or Y	Transistor
Q409	2SD526-O or Y	Transistor
Q410	2SC1166-O or Y	Transistor
D401	S3VC10	Diode
D402	S3VC10R	Diode
D403	1S2471	Diode
D404	1S2471	Diode
D405	1S2471	Diode
D406	1S2471	Diode
D407	SIB01-02	Diode
D408	SIB01-02	Diode
D409	SIB01-02	Diode

2.5 SWITCH ASSEMBLY (RWS-065)



S ₁	POWER	<u>OFF</u>	ON
S ₂	SPEED	<u>19 cm</u>	9.5 cm
S ₃	MONITOR	<u>TAPE</u>	SOURCE
S ₄	BIAS	<u>STD</u>	LH
S ₅	EQ	<u>STD</u>	LH
S ₆	RECORD LEFT	<u>OFF</u>	ON
S ₇	RECORD RIGHT	<u>OFF</u>	ON



Parts List

SWITCHES

Symbol	Part No.	Description
S1	RSG-054	Push switch
S2	RSG-054	Push switch
S3	RSG-054	Push switch
S4	RSG-054	Push switch
S5	RSG-054	Push switch
S6	RSG-054	Push switch

CAPACITOR

Symbol	Part No.	Description
C701	CQSA 221J 250	Styrol 220p 250V

RESISTORS

Symbol	Part No.	Description
R701	RD4PS 333J	Carbon film 33k
R702	RN1PSF 3R3J	Metal film 3.3 1W
R703	RS1P 820J	Metal oxide 82 1W
R704	RS1P 121J	Metal oxide 120 1W
R705	RS2P 102J	Metal oxide 1k 2W

SEMICONDUCTORS

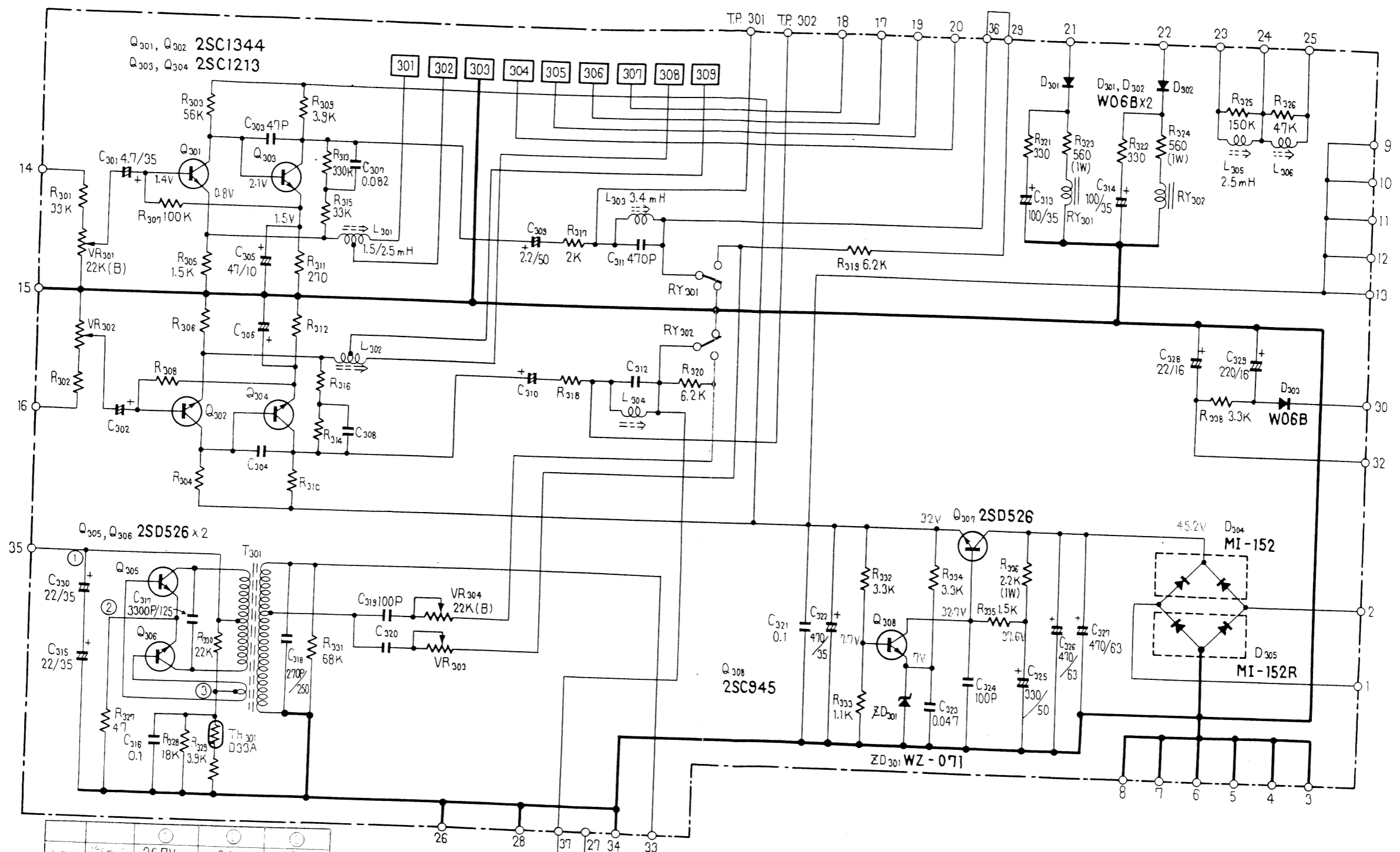
Symbol	Part No.	Description
D701	1S2473	Diode
D702	SIB01-01 or W06B	Diode
D703	SIB01-01 or W06B	Diode

OTHER

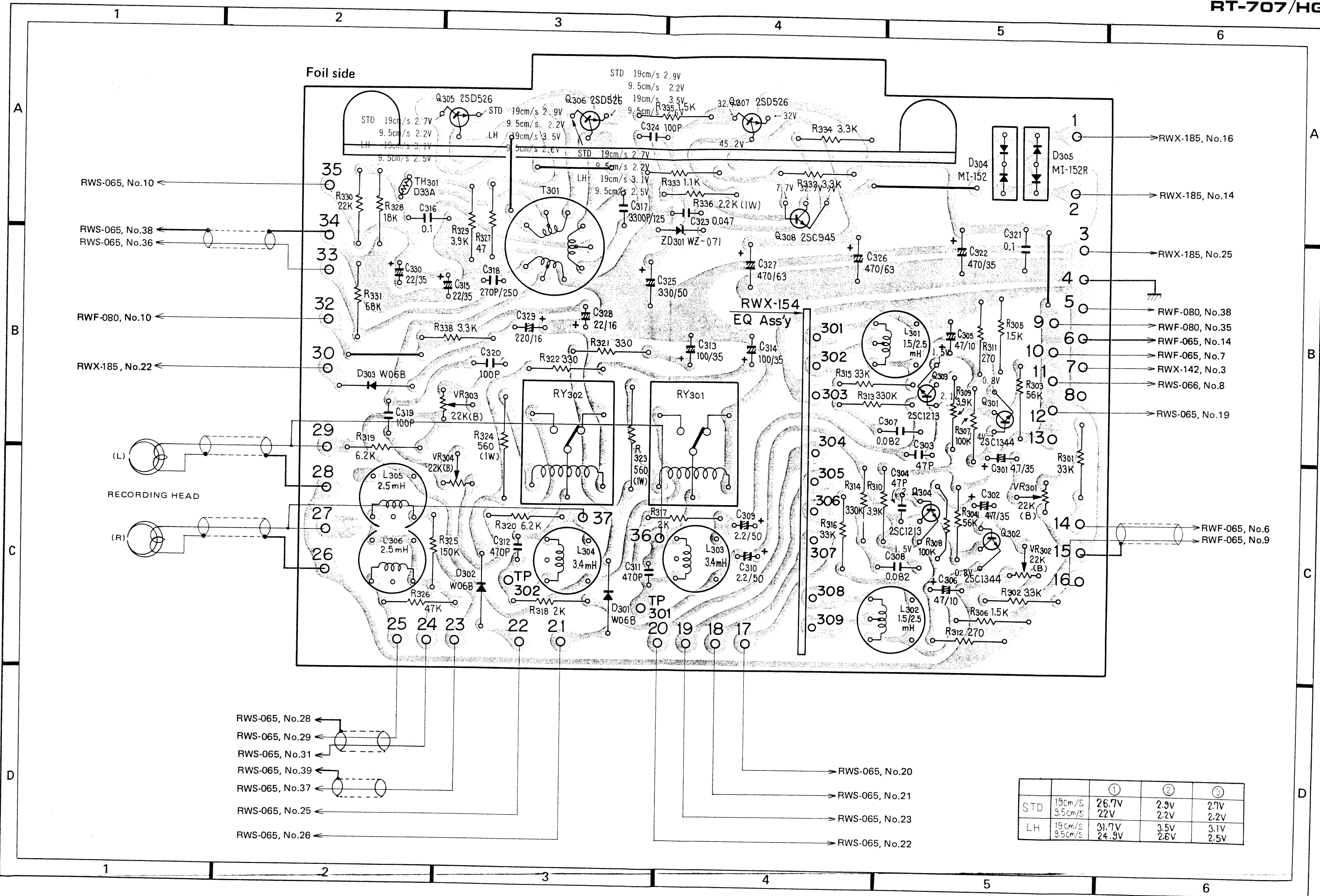
Symbol	Part No.	Description
	RKP-018	Connector

RT-707/HG

2.6 POWER AND OSCILLATION ASSEMBLY (RWR-056)



		⊖	⊖	⊖
①	150mV	26.7V	2.9V	2.7V
②	2.50mV	22V	2.2V	2.2V
③	200mV	31.7V	3.5V	3.1V
④	500mV	24.9V	2.6V	2.5V



- RWS-065, No.28
- RWS-065, No.29
- RWS-065, No.31
- RWS-065, No.39
- RWS-065, No.37
- RWS-065, No.25
- RWS-065, No.26

- RWS-065, No.20
- RWS-065, No.21
- RWS-065, No.23
- RWS-065, No.22

		①	②	③
STD	19cm/s	26.7V	2.9V	2.7V
	9.5cm/s	22V	2.2V	2.2V
LH	19cm/s	31.7V	3.5V	3.1V
	9.5cm/s	24.9V	2.6V	2.5V

Parts List of Power and Oscillation Assembly (RWR-056)

TRANSFORMER AND COILS

Symbol	Part No.	Description	Symbol	Part No.	Description
T301	RTD-013	OSC transformer	R301	RD½PS 333J	Carbon film 33k
L301	RTF-014	Peaking coil	R302	RD½PS 333J	Carbon film 33k
L302	RTF-014	Peaking coil	R303	RD½PS 563J	Carbon film 56k
L303	RTF-013	Trap coil	R304	RD½PS 563J	Carbon film 56k
L304	RTF-013	Trap coil	R305	RD½PS 152J	Carbon film 1.5k
L305	RTD-014	Dummy coil	R306	RD½PS 152J	Carbon film 1.5k
L306	RTD-014	Dummy coil	R307	RD½PS 104J	Carbon film 100k
			R308	RD½PS 104J	Carbon film 100k
			R309	RD½PS 392J	Carbon film 3.9k
			R310	RD½PS 392J	Carbon film 3.9k

CAPACITORS

Symbol	Part No.	Description	Symbol	Part No.	Description
C301	CEA 4R7P 35	Electrolytic 4.7 35V	R311	RD½PS 271J	Carbon film 270
C302	CEA 4R7P 35	Electrolytic 4.7 35V	R312	RD½PS 271J	Carbon film 270
C303	CCDSL 470K 50	Ceramic 47p 50V	R313	RD½PS 334J	Carbon film 330k
C304	CCDSL 470K 50	Ceramic 47p 50V	R314	RD½PS 334J	Carbon film 330k
C305	CEA 470P 10	Electrolytic 47 10V	R315	RD½PS 333J	Carbon film 33k
C306	CEA 470P 10	Electrolytic 47 10V	R316	RD½PS 333J	Carbon film 33k
C307	CQMA 823K 50	Mylar 0.082 50V	R317	RD½PS 202J	Carbon film 2k
C308	CQMA 823K 50	Mylar 0.082 50V	R318	RD½PS 202J	Carbon film 2k
C309	CEA 2R2P 50	Electrolytic 2.2 50V	R319	RD½PS 622J	Carbon film 6.2k
C310	CEA 2R2P 50	Electrolytic 2.2 50V	R320	RD½PS 622J	Carbon film 6.2k
C311	RCE-014	Styrol 470p 50V	R321	RD½PSF 331J	Carbon film 330
C312	RCE-014	Styrol 470p 50V	R322	RD½PSF 331J	Carbon film 330
C313	CEA 101P 35	Electrolytic 100 35V	R323	RS1P 561J	Metal oxide 560 1W
C314	CEA 101P 35	Electrolytic 100 35V	R324	RS1P 561J	Metal oxide 560 1W
C315	CEA 220P 35	Electrolytic 22 35V	R325	RD½PS 154J	Carbon film 150k
C316	CQMA 104K 50	Mylar 0.1 50V	R326	RD½PS 473J	Carbon film 47k
C317	CQSA 332J 125	Styrol 0.0033 125V	R327	RD½PS 470J	Carbon film 47
C318	CQSA 271J 250	Styrol 270p 250V	R328	RD½PS 183J	Carbon film 18k
C319	RCE-003	Styrol 100p 50V	R329	RD½PS 392J	Carbon film 3.9k
C320	RCE-003	Styrol 100p 50V	R330	RD½PS 223J	Carbon film 22k
C321	CQMA 104K 50	Mylar 0.1 50V	R331	RD½PS 683J	Carbon film 68k
C322	CEA 471P 35	Electrolytic 470 35V	R332	RD½PS 332J	Carbon film 3.3k
C323	CKDYF 473Z 50	Ceramic 0.047 50V	R333	RD½PS 112J	Carbon film 1.1k
C324	CCDSL 101K 50	Ceramic 100p 50V	R334	RD½PS 332J	Carbon film 3.3k
C325	CEA 331P 50	Electrolytic 330 50V	R335	RD½PS 152J	Carbon film 1.5k
C326	CEA 471P 63	Electrolytic 470 63V	R336	RS1P 222J	Carbon film 2.2k 1W
C327	CEA 471P 63	Electrolytic 470 63V	R338	RD½PS 332J	Carbon film 3.3k
C328	CEA 220P 16	Electrolytic 22 16V			
C329	CEA 221P 16	Electrolytic 220 16V			
C330	CEA 220P 35	Electrolytic 22 35V			

SEMICONDUCTORS

Symbol	Part No.	Description
Q301	2SC1344-D or E	Transistor
Q302	2SC1344-D or E	Transistor
Q303	2SC1213-B or C	Transistor
Q304	2SC1213-B or C	Transistor
Q305	2SD526-0	Transistor
Q306	2SD526-0	Transistor
Q307	2SD526-0 or Y	Transistor
Q308	2SC945-P or 2SC945-Q	Transistor

Symbol	Part No.	Description
D301	W06B	Diode
D302	W06B	Diode
D303	W06B	Diode
D304	MI-152	Diode
D305	MI-152R	Diode
ZD301	WZ-071	Zener Diode
TH301	D33A	Thermistor

OTHERS

Symbol	Part No.	Description
	RNF-065	Heat Sink
	AKH-002	Tr socket
	REE-051	Insulator spacer
RY301	RSP-018	Relay
RY302	RSP-018	Relay

List of Changed Parts for Factory Modification

Symbol	Description	Part No.

RESISTORS

Symbol	Part No.	Description
VR301	C92-857	Semi fixed 22k-B
VR302	C92-857	Semi fixed 22k-B
VR303	C81-426	Semi fixed 33k-B
VR304	C81-426	Semi fixed 33k-B

2.7 PLAYBACK AMPLIFIER ASSEMBLY (RWF-080)

Parts List

TRANSFORMERS

Symbol	Part No.	Description	Symbol	Part No.	Description	Symbol	Part No.	Description	Symbol	Part No.	Description
T101	RTV-009	Matching transformer	VR108	C81-426	Semi-fixed 33k-B	R146	RD¼PSF 331J	Carbon film 330	D101	1S2473	Diode
T102	RTV-009	Matching transformer	VR109	RCP-001	Semi-fixed 6.8k-B	R147	RD¼PS 473J	Carbon film 47k	D102	1S2473	Diode

CAPACITORS

Symbol	Part No.	Description	Symbol	Part No.	Description	Symbol	Part No.	Description	Symbol	Part No.	Description
C101	CEA 4R7P 35	Electrolytic 4.7 35V	R101	RD¼PS 102J	Carbon film 1k	R148	RD¼PS 152J	Carbon film 1.5k	D103	1S2473	Diode
C102	CEA 4R7P 35	Electrolytic 4.7 35V	R102	RD¼PS 102J	Carbon film 1k	R149	RD¼PS 473J	Carbon film 47k	D104	1S2473	Diode
C103	CEA 4R7P 35	Electrolytic 4.7 35V	R103	RD¼PS 102J	Carbon film 1k	R150	RD¼PS 473J	Carbon film 47k	D105	1S2473	Diode
C104	CEA 4R7P 35	Electrolytic 4.7 35V	R104	RD¼PS 102J	Carbon film 1k	R151	RD¼PS 273J	Carbon film 27k			
C105	CEA 4R7P 35	Electrolytic 4.7 35V	R105	RD¼PS 103J	Carbon film 10k	R152	RD¼PS 273J	Carbon film 27k			
C106	CEA 4R7P 35	Electrolytic 4.7 35V	R106	RD¼PS 103J	Carbon film 10k	R153	RD¼PS 393J	Carbon film 39k	D106	1S2473	Diode
C107	CEA 010P 50	Electrolytic 1 50V	R107	RD¼PS 104J	Carbon film 100k	R154	RD¼PS 221J	Carbon film 220	D107	1S2473	Diode
C108	CEA 010P 50	Electrolytic 1 50V	R108	RD¼PS 104J	Carbon film 100k	R155	RD¼PS 104J	Carbon film 100k	D108	1S2473	Diode
C111	CCDSL 220K 50	Ceramic 22p 50V	R109	RD¼PS 104J	Carbon film 100k	R156	RD¼PS 393J	Carbon film 39k	D109	1N34A	Diode
C112	CCDSL 220K 50	Ceramic 22p 50V	R110	RD¼PS 104J	Carbon film 100k	R157	RD¼PS 121J	Carbon film 120	D110	1N34A	Diode
C113	CEA 4R7P 35	Electrolytic 4.7 35V	R111	RD¼PS 123J	Carbon film 12k	R158	RD¼PS 473J	Carbon film 47k			
C114	CEA 4R7P 35	Electrolytic 4.7 35V	R112	RD¼PS 123J	Carbon film 12k	R159	RD¼PS 122J	Carbon film 1.2k			
C115	CEA 4R7P 35	Electrolytic 4.7 35V	R113	RD¼PS 224J	Carbon film 220k	R160	RD¼PS 222J	Carbon film 2.2k			
C116	CEA 4R7P 35	Electrolytic 4.7 35V	R114	RD¼PS 224J	Carbon film 220k	R161	RD¼PS 104J	Carbon film 100k			
C117	CEA 220P 35	Electrolytic 22 35V	R115	RD¼PS 153J	Carbon film 15k	R162	RD¼PS 104J	Carbon film 100k			
C118	CEA 220P 35	Electrolytic 22 35V	R116	RD¼PS 153J	Carbon film 15k	R163	RD¼PS 473J	Carbon film 47k			
C119	CEA 4R7P 35	Electrolytic 4.7 35V	R117	RD¼PS 123J	Carbon film 12k	R164	RD¼PS 473J	Carbon film 47k			
C120	CEA 221P 35	Electrolytic 220 35V	R118	RD¼PS 123J	Carbon film 12k	R165	RD¼PS 824J	Carbon film 820k			
C121	CEA 220P 35	Electrolytic 22 35V	R119	RD¼PS 474J	Carbon film 470k	R166	RD¼PS 103J	Carbon film 10k			
C122	CEA 100P 35	Electrolytic 10 35V	R120	RD¼PS 474J	Carbon film 470k	R167	RD¼PS 103J	Carbon film 10k			
C123	CKDYF 473Z 50	Ceramic 0.047 50V	R121	RD¼PS 473J	Carbon film 47k	R168	RD¼PS 103J	Carbon film 10k			
C124	CKDYF 473Z 50	Ceramic 0.047 50V	R122	RD¼PS 473J	Carbon film 47k	R169	RD¼PS 680J	Carbon film 68			
C125	CEA 100P 35	Electrolytic 10 35V	R123	RD¼PS 393J	Carbon film 39k	R170	RD¼PS 680J	Carbon film 68			
C126	CEA 100P 35	Electrolytic 10 35V	R124	RD¼PS 393J	Carbon film 39k						
C127	CEA 4R7P 35	Electrolytic 4.7 35V	R125	RD¼PS 471J	Carbon film 470						
C128	CEA 4R7P 35	Electrolytic 4.7 35V	R126	RD¼PS 471J	Carbon film 470						
C129	CKDYF 473Z 50	Ceramic 0.047 50V	R127	RD¼PS 332J	Carbon film 3.3k						
C130	CEA 100P 16	Electrolytic 10 16V	R128	RD¼PS 332J	Carbon film 3.3k						
C131	CEA 2R2P 50	Electrolytic 2.2 50V	R131	RD¼PS 102J	Carbon film 1k						
C132	CEA 2R2P 50	Electrolytic 2.2 50V	R132	RD¼PS 102J	Carbon film 1k						
C133	CEA 220P 10	Electrolytic 22 10V	R133	RD¼PS 513J	Carbon film 51k						
C134	CEA 220P 10	Electrolytic 22 10V	R134	RD¼PS 513J	Carbon film 51k						

RESISTORS

Symbol	Part No.	Description	Symbol	Part No.	Description	Symbol	Part No.	Description	Symbol	Part No.	Description
VR101	C92-857	Semi-fixed 22k-B	R138	RS1P 102J	Metal oxide 1k 1W	R146	RD¼PSF 331J	Carbon film 330	D111	1N34A	Diode
VR102	C92-857	Semi-fixed 22k-B	R139	RD¼PS 153J	Carbon film 15k	R147	RD¼PS 473J	Carbon film 47k	D112	1N34A	Diode
VR103	C92-857	Semi-fixed 22k-B	R140	RD¼PS 153J	Carbon film 15k	R148	RD¼PS 152J	Carbon film 1.5k			
VR104	C92-857	Semi-fixed 22k-B	R141	RD¼PS 102J	Carbon film 1k	R149	RD¼PS 473J	Carbon film 47k			
VR105	C81-426	Semi-fixed 33k-B	R142	RD¼PS 102J	Carbon film 1k	R150	RD¼PS 473J	Carbon film 47k			
VR106	C81-426	Semi-fixed 33k-B	R143	RD¼PS 104J	Carbon film 100k	R151	RD¼PS 273J	Carbon film 27k			
VR107	C81-426	Semi-fixed 33k-B	R144	RD¼PS 104J	Carbon film 100k	R152	RD¼PS 273J	Carbon film 27k			
			R145	RD¼PSF 331J	Carbon film 330	R153	RD¼PS 393J	Carbon film 39k			

OTHERS

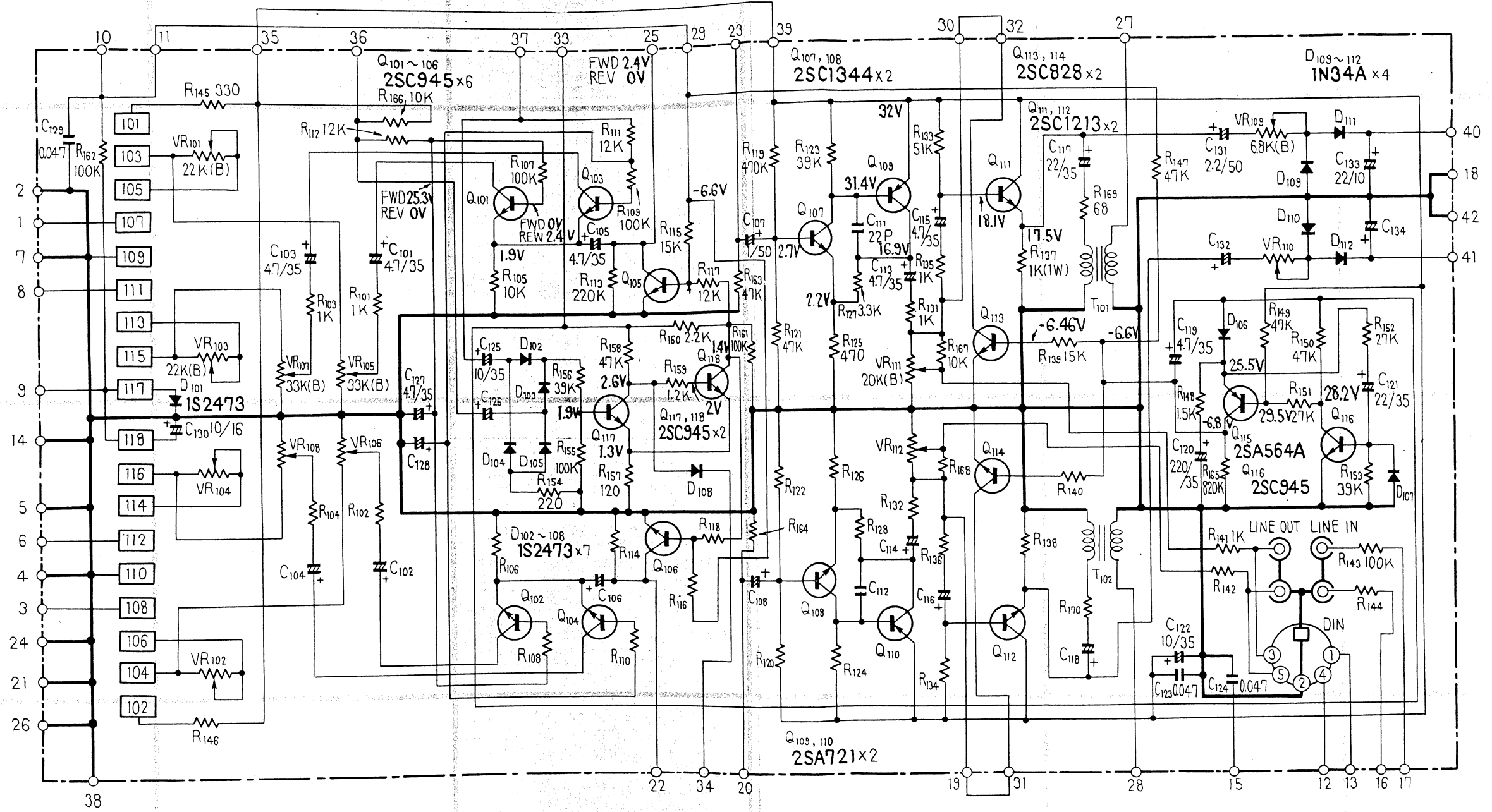
Symbol	Part No.	Description
	RWF-070	Head amplifier assembly
	RKP-030	DIN connector socket (5P)
	RKB-011	Terminal (INPUT, OUTPUT)

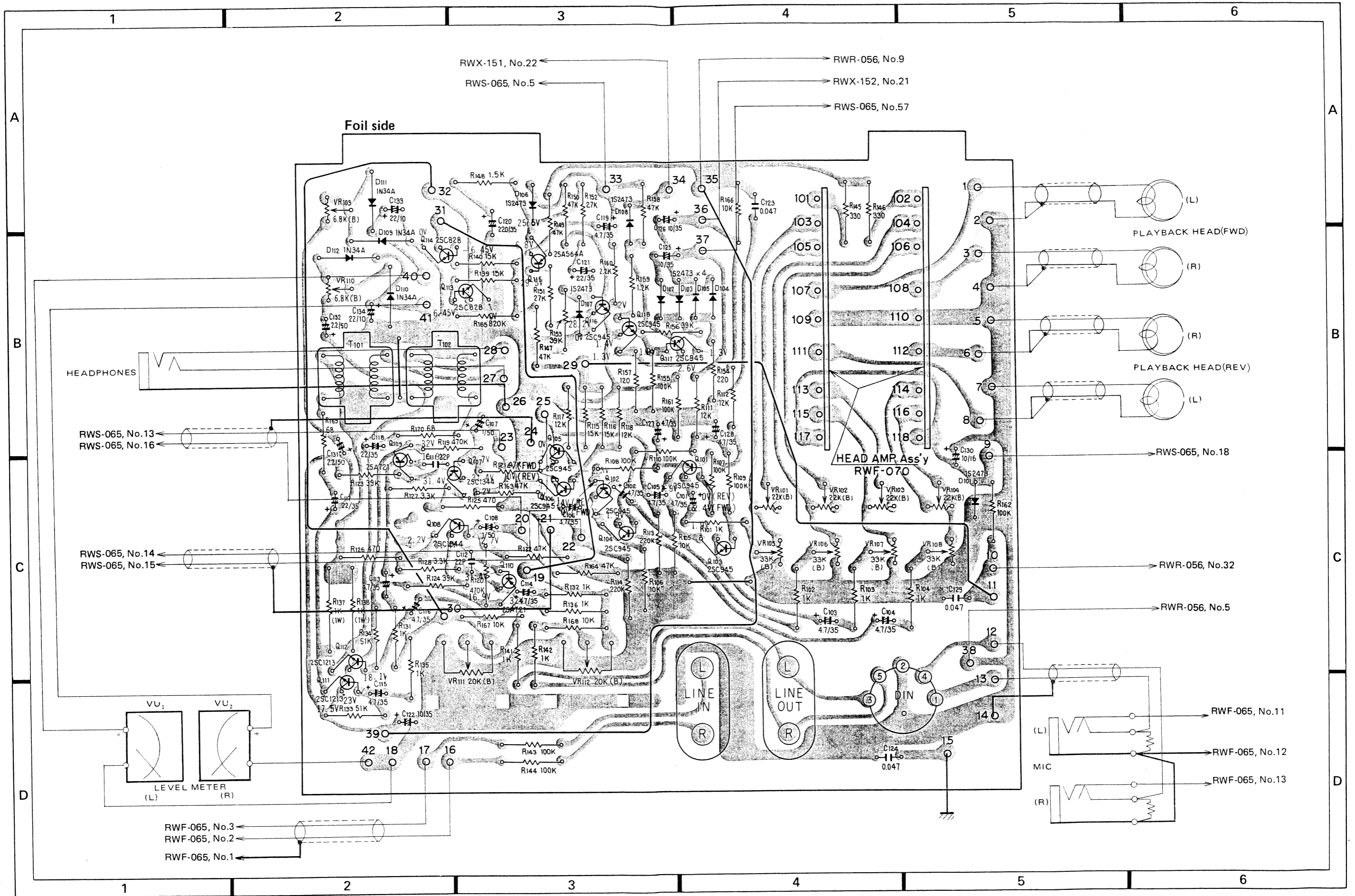
List of Changed Parts for Factory Modification

Symbol	Description	Part No.

RT-707/HG

Playback Amplifier Assembly (RWF-080)



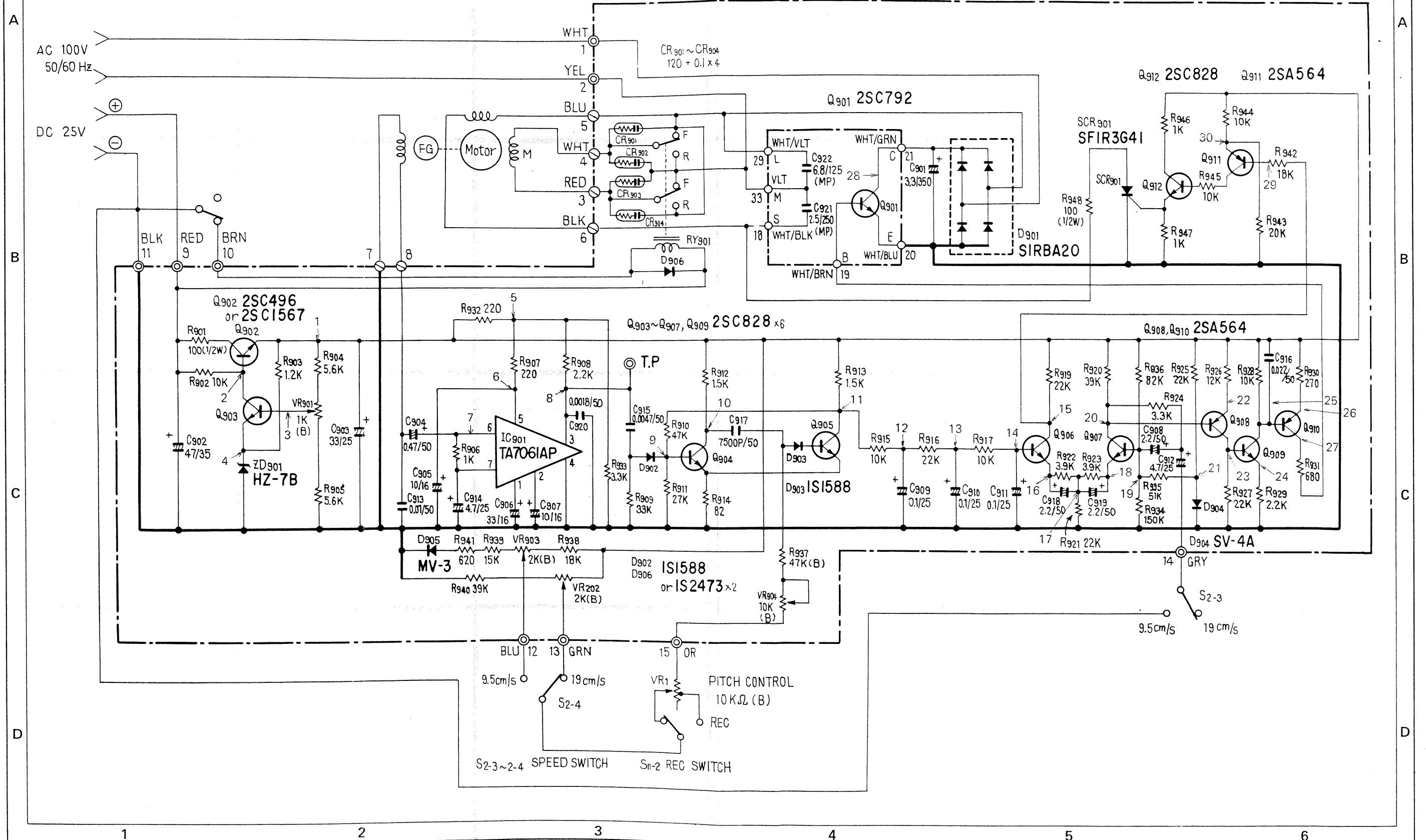


RT-707/HG

2.8 SERVO AMPLIFIER ASSEMBLY (RWG-069)

NOTE:

The voltage at each measure points are indicated on page 151.



1 2 3 4 5 6

A

A

B

B

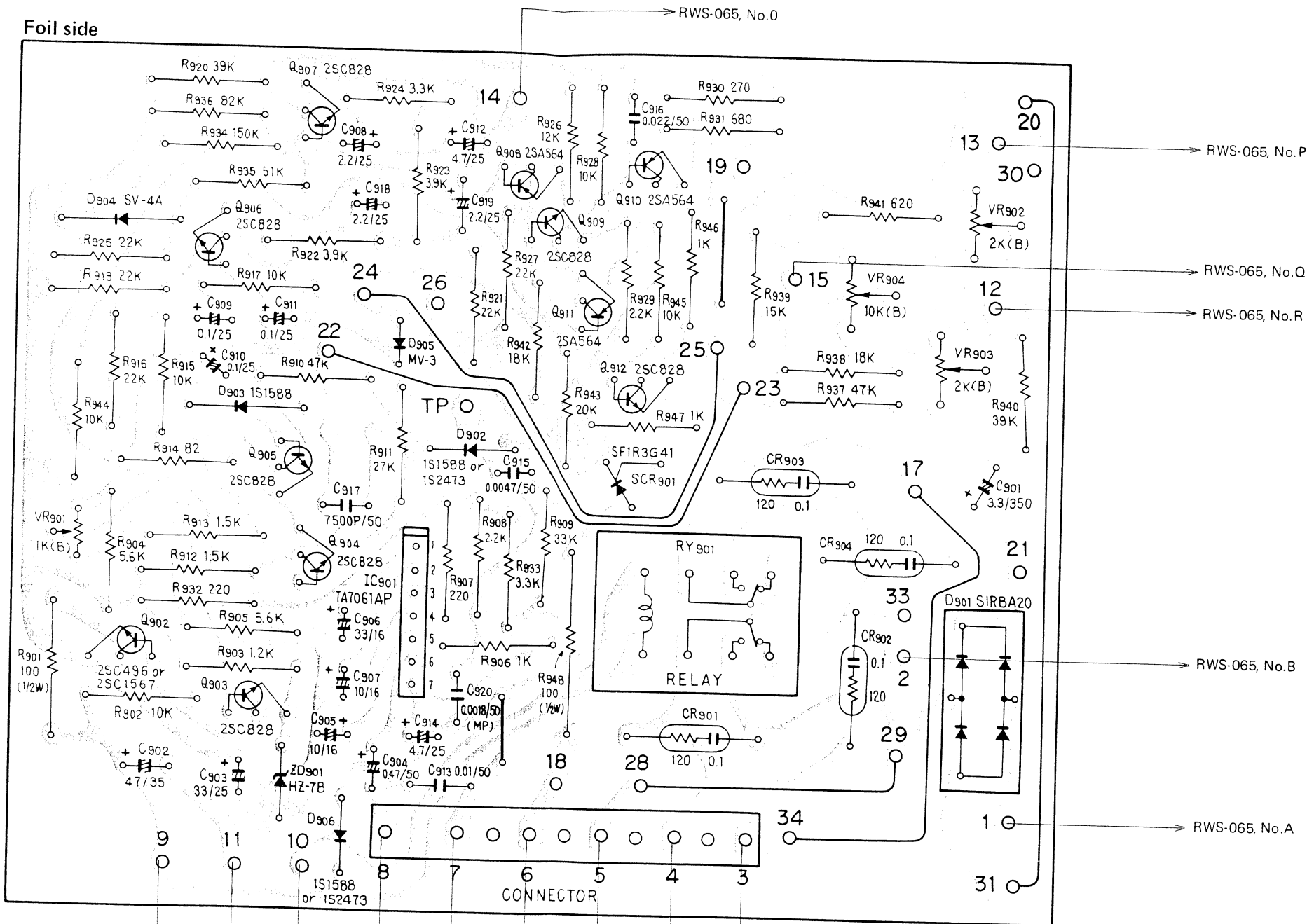
C

C

D

D

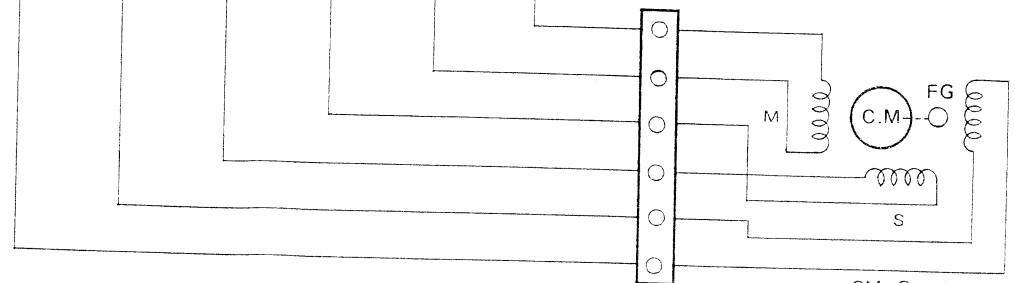
Foil side



RWS-065, No.E

RWS-065, No.G

RWS-065, No.F



CM: Capstan motor
FG: Frequency generator

1 2 3 4 5 6

The Measurement Voltage of Servo Amplifier (RWG-069)

- The number of measurement points are indicated on page 149.
- The motor is non load situation.
- Prepare the high input impedance meter for measure the points 13 ~ 22.

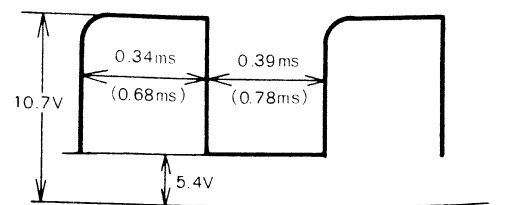


Fig. 18

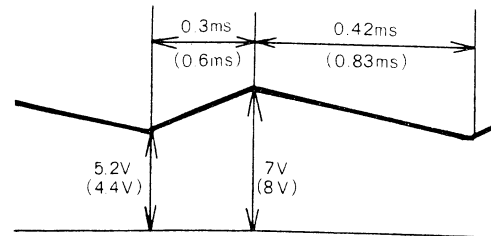


Fig. 22

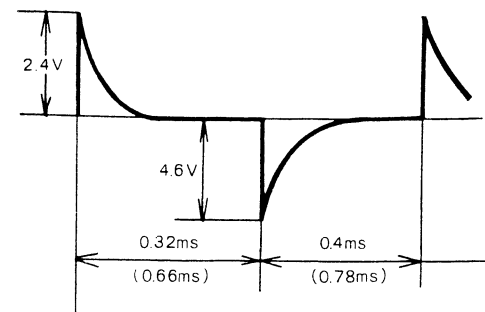


Fig. 19

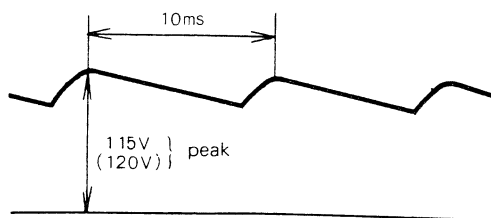


Fig. 23

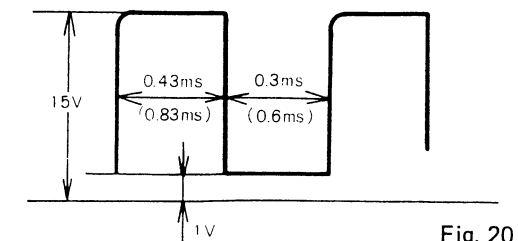


Fig. 20

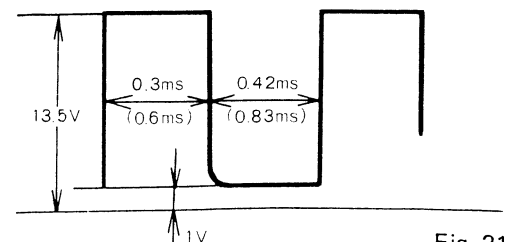


Fig. 21

Measurement point	Measurement Voltage (V)
1	15.0
2	15.6
3	7.7
4	7.0
5	10.8
6	7.6
7	2.0 (DC ingredient)
8	Fig. 18
9	Fig. 19
10	Fig. 20
11	Fig. 21
12	Fig. 22
13	6.1 (DC ingredient)
14	6.1 (DC ingredient)
15	10.8
16	5.6
17	4.8
18	4.9
19	5.5
20	14.1
21	1.42
22	14.8
23	0.7 (0.66)
24	0.14 (0.11)
25	14.6 (14.7)
26	0.71 (0.56)
27	15
28	Fig. 23
29	10.8
30	10.1

Parts List of Servo Amplifier Assembly (RWG-069)

CAPACITORS

Symbol	Part No.	Description		
C901	RCH-029	Electrolytic	3.3	350V
C902	CEA 470P 35	Electrolytic	47	35V
C903	CEA 330P 25	Electrolytic	33	25V
C904	CEA 0R47P 50	Electrolytic	0.47	50V
C905	CEA 100P 16	Electrolytic	10	16V
C906	CEA 330P 16	Electrolytic	33	16V
C907	CEA 100P 16	Electrolytic	10	16V
C908	RCH-032	Electrolytic	2.2	50V
C909	CSSA 0R1M 25	Electrolytic	0.1	25V
C910	CSSA 0R1M 25	Electrolytic	0.1	25V
C911	CSSA 0R1M 25	Electrolytic	0.1	25V
C912	CEA 4R7P 25	Electrolytic	4.7	25V
C913	CQMA 103K 50	Mylar	0.01	50V
C914	RCH-033	Electrolytic	4.7	25V
C915	CQMA 472K 50	Mylar	0.0047	50V
C916	CQMA 223K 50	Mylar	0.022	50V
C917	RCE-027	Styrol	0.0075	50V
C918	RCH-032	Electrolytic	2.2	50V
C919	RCH-032	Electrolytic	2.2	50V
C920	CQMA 182K 50	Mylar	0.0018	50V
C921		Metallized paper	2.5	250V
C922		Electrolytic	6.8	125V

RESISTORS

Symbol	Part No.	Description		
VR901	RCP-036	Semi-fixed	1k-B	
VR902	RCP-034	Semi-fixed	2k-B	
VR903	RCP-034	Semi-fixed	2k-B	
VR904	RCP-035	Semi-fixed	10k-B	
R901	RD $\frac{1}{4}$ PSF 101K	Carbon film	100	$\frac{1}{2}$ W
R902	RD $\frac{1}{4}$ PSF 103K	Carbon film	10k	
R903	RD $\frac{1}{4}$ PS 122J	Carbon film	1.2k	
R904	RD $\frac{1}{4}$ PS 562J	Carbon film	5.6k	
R905	RD $\frac{1}{4}$ PS 562J	Carbon film	5.6k	
R906	RD $\frac{1}{4}$ PS 102J	Carbon film	1k	
R907	RD $\frac{1}{4}$ PS 221J	Carbon film	220	
R908	RD $\frac{1}{4}$ PS 222J	Carbon film	2.2k	
R909	RD $\frac{1}{4}$ PS 333J	Carbon film	33k	
R910	RD $\frac{1}{4}$ PS 473J	Carbon film	47k	
R911	RD $\frac{1}{4}$ PS 273J	Carbon film	27k	
R912	RD $\frac{1}{4}$ PS 152J	Carbon film	1.5k	

SEMICONDUCTORS

Symbol	Part No.	Description	Symbol	Part No.	Description
R913	RD¼PS 152J	Carbon film 1.5k	IC901	TA 7061AP	IC
R914	RD¼PS 820J	Carbon film 82	Q901	2SC792	Transistor
R915	RD¼PS 103J	Carbon film 10k	Q902	2SC496-Y or O or 2SC1567-R or S	Transistor
R916	RD¼PS 223J	Carbon film 22k	Q903	2SC828-R	Transistor
R917	RD¼PS 103J	Carbon film 10k	Q904	2SC828-R	Transistor
R918	-----	-----	Q905	2SC828-R	Transistor
R919	RD¼PS 223J	Carbon film 22k	Q906	2SC828-R	Transistor
R920	RD¼PS 393J	Carbon film 39k	Q907	2SC828-R	Transistor
R921	RD¼PS 223J	Carbon film 22k	Q908	2SA564-Q	Transistor
R922	RD¼PS 392J	Carbon film 3.9k	Q909	2SC828-R	Transistor
R923	RD¼PS 392J	Carbon film 3.9k	Q910	2SA564-Q	Transistor
R924	RD¼PS 332J	Carbon film 3.3k	Q911	2SA564-Q	Transistor
R925	RD¼PS 223J	Carbon film 22k	Q912	2SC828-R	Transistor
R926	RD¼PS 123J	Carbon film 12k	D901	S1RBA20	Diode
R927	RD¼PS 223J	Carbon film 22k	D902	1S1588 or 1S2473	Diode
R928	RD¼PS 103J	Carbon film 10k	D903	1S1588	Diode
R929	RD¼PS 222J	Carbon film 2.2k	D904	SV-4A	Diode
R930	RD¼PS 271J	Carbon film 270	D905	MV-3	Diode
R931	RD¼PS 681J	Carbon film 680	D906	1S1588 or 1S2473	Diode
R932	RD¼PS 221J	Carbon film 220	ZD901	HZ7B	Zener Diode
R933	RD¼PS 332J	Carbon film 3.3k	SCR961	SF IR3G41	Thyristor
R934	RD¼PS 154J	Carbon film 150k			
R935	RN¼PS 513G	Metal film 51k			
R936	RN¼PS 823G	Metal film 82k			
R937	RN¼PS 473G	Metal film 47k			
R938	RN¼PS 183G	Metal film 18k			
R939	RN¼PS 153G	Metal film 15k			
R940	RN¼PS 393G	Metal film 39k			
R941	RD¼PS 621J	Carbon film 620			
R942	RD¼PS 183J	Carbon film 18k			
R943	RD¼PS 203J	Carbon film 20k			
R944	RD¼PS 103J	Carbon film 10k			
R945	RD¼PS 103J	Carbon film 10k			
R946	RD¼PS 102J	Carbon film 1k			
R947	RD¼PS 102J	Carbon film 1k			
R948	RD¼PSF. 101K	Carbon film 100 ½W			

OTHERS

Symbol	Part No.	Description
RY901	RSR-021	Relay
CR901	RWX-030	Spark killer
CR902	RWX-030	Spark killer
CR903	RWX-030	Spark killer
CR904	RWX-030	Spark killer
	RNF-224	Heat sink
	AKH-001	Tr socket
	RKP-019	Connector socket assembly
	RKP-020	Connector
	REC-247	Insulator sheet

CONTRAST OF ASSEMBLIES

Assembly	RT-701/KCU		RT-707/KCU		RT-707/HG	RT-707 D, D/G
	Original model	Improved model "▲"	Original model	Improved model "▲"		
Control assembly	RWG-070	RWG-070	RWG-070	RWG-070	RWG-082	RWG-070
Function switch assembly	RWS-051	RWS-051	RWS-052	RWS-052	RWS-066	RWS-052
Indicator assembly	RWX-142	RWX-142	RWX-142	RWX-142	RWX-142	RWX-142
Connector assembly L	RWX-146	RWX-171	RWX-151	RWX-151	RWX-151	RWX-151
Connector assembly R	RWX-147	RWX-172	RWX-152	RWX-152	RWX-152	RWX-152
Servo amplifier assembly	RWG-068	RWG-068	RWG-076	RWG-076	RWG-069	RWG-069
Power and oscillation assembly	RWR-054	RWR-059	RWR-053	RWR-058	RWR-056	RWR-050
Playback amplifier assembly	RWF-064	RWF-081	RWF-069	RWF-080	RWF-080	RWF-078
Fuse assembly	RWX-170	RWX-170	RWX-141	RWX-170	RWX-185
MIC amplifier assembly	RWF-065	RWF-065	RWF-065	RWF-065	RWF-065	RWF-065
Switch assembly	RWS-062 (KU) RWS-063 (KC)	RWS-068 (KU) RWS-067 (KC)	RWS-058 (KU) RWS-059 (KC)	RWS-058 (KU) RWS-059 (KC)	RWS-065	RWS-053
Terminal assembly	RWX-174