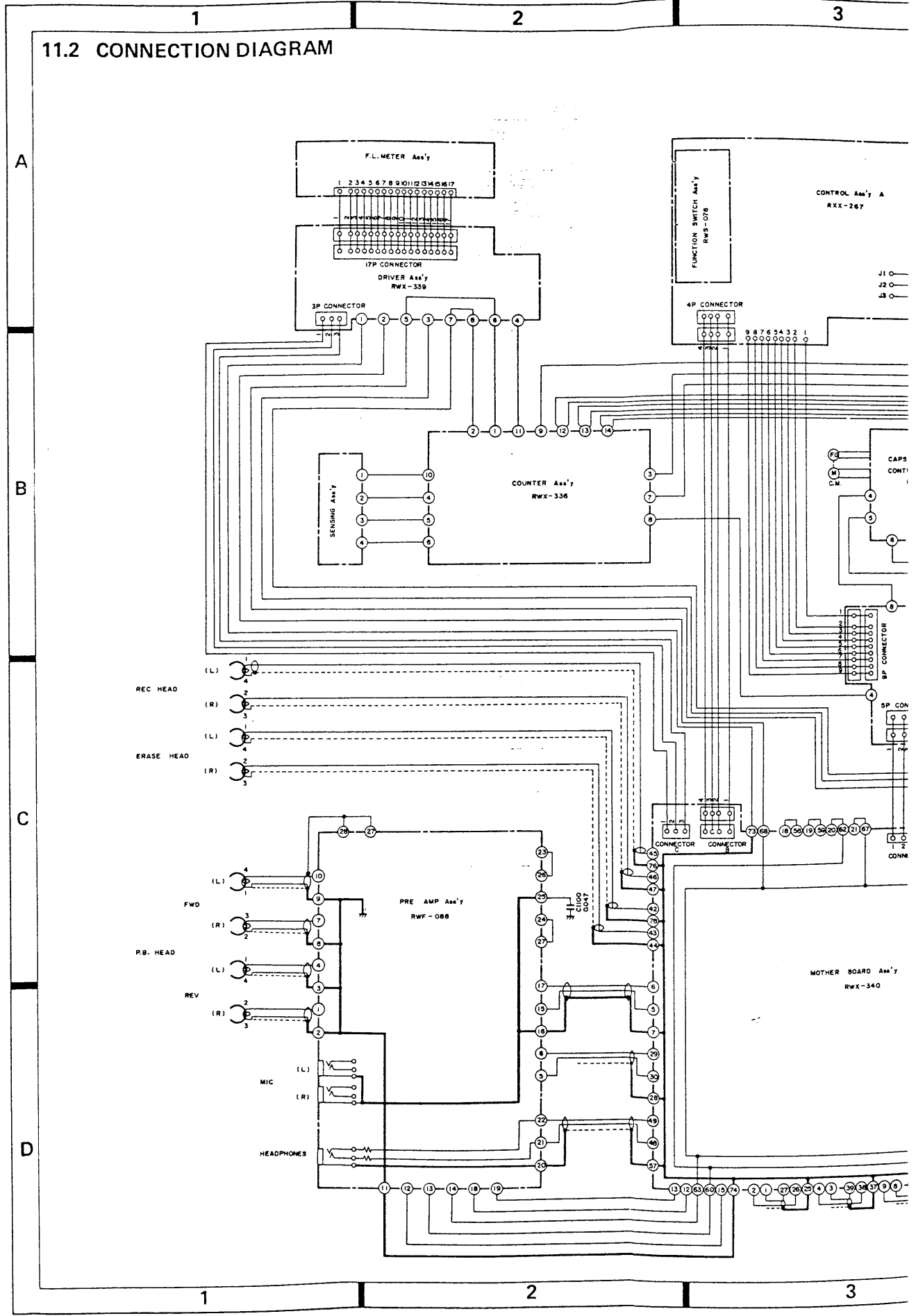
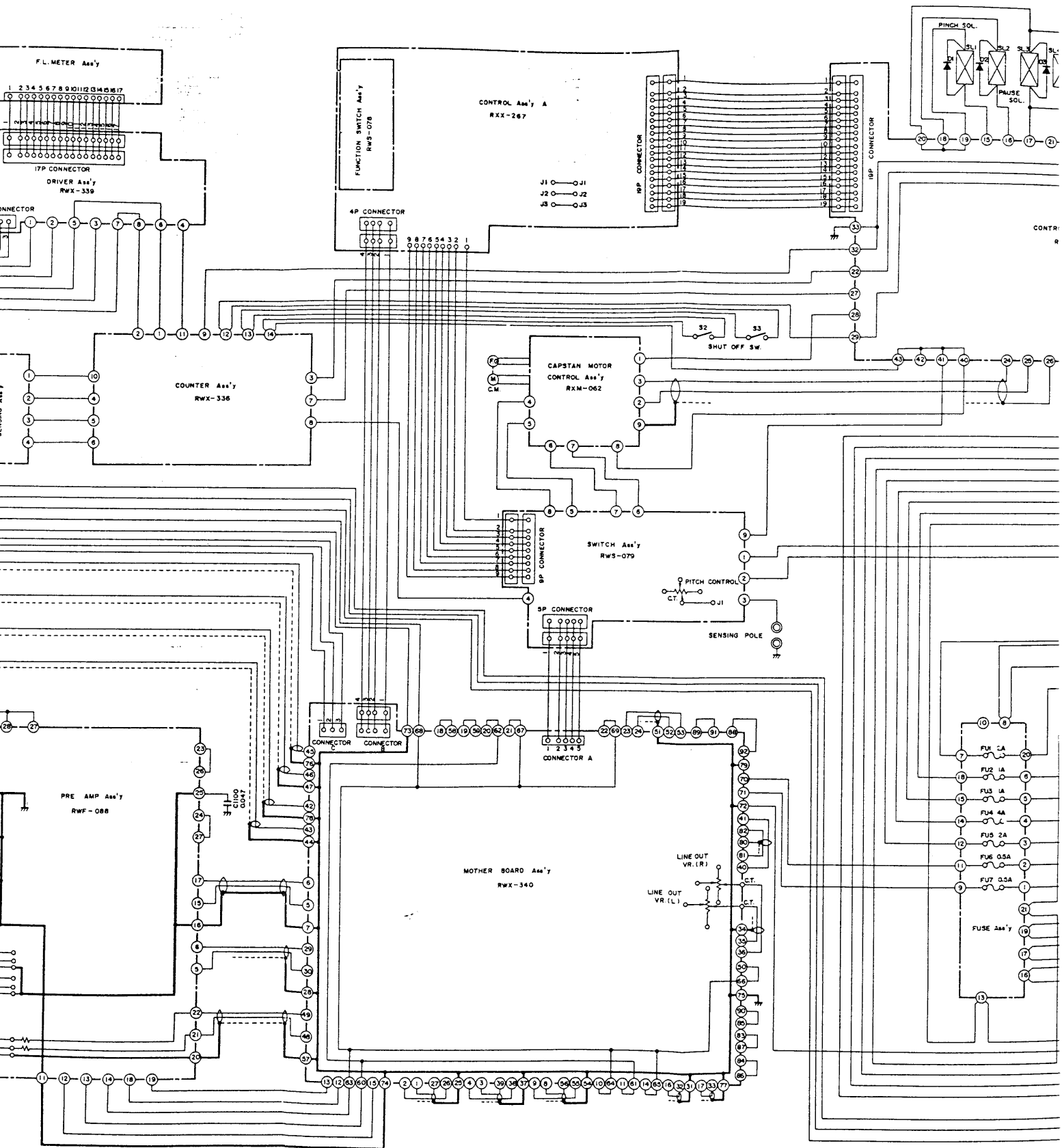


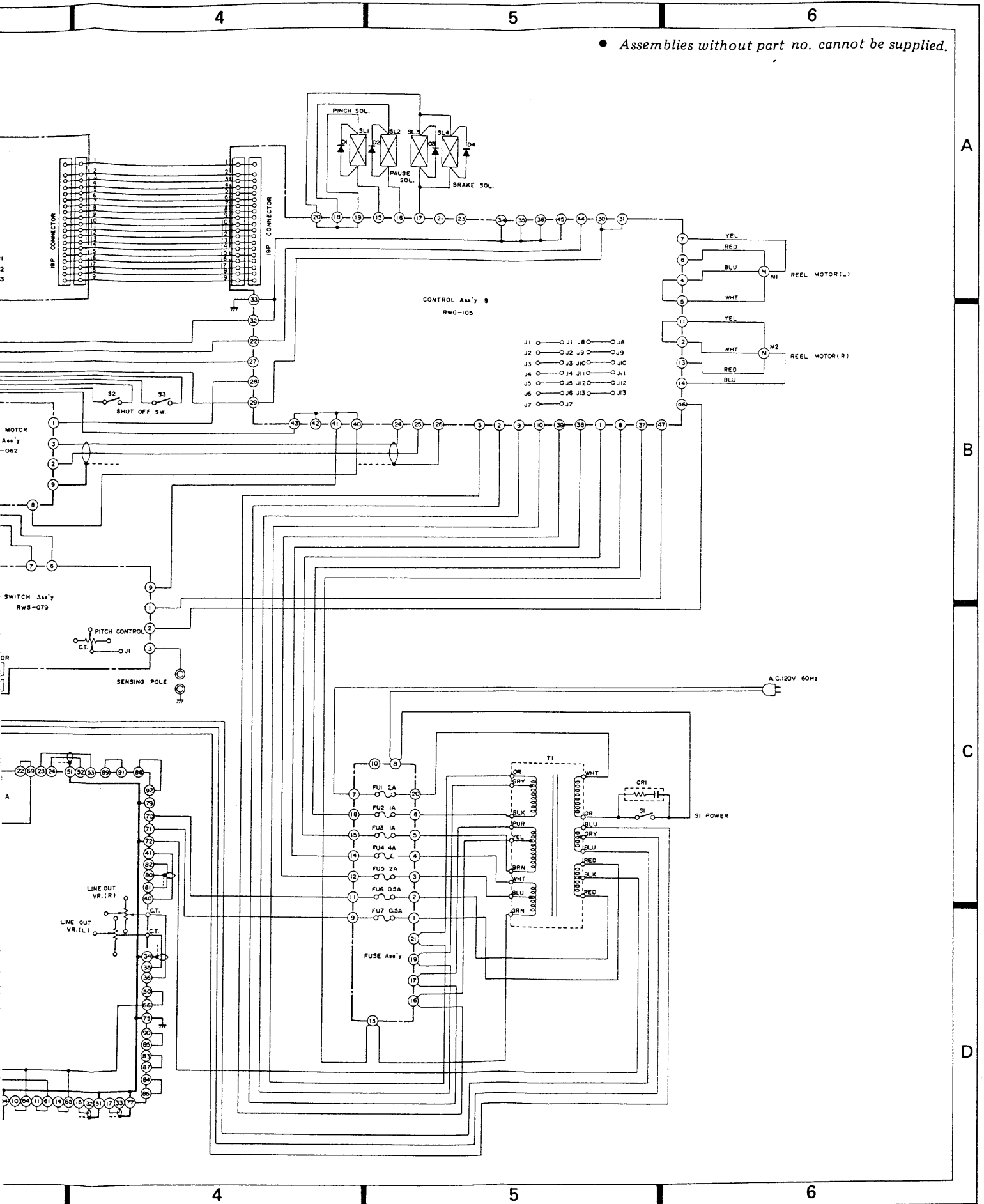
# 11.2 CONNECTION DIAGRAM



1



• Assemblies without part no. cannot be supplied.



A

B

C

D

4

5

6

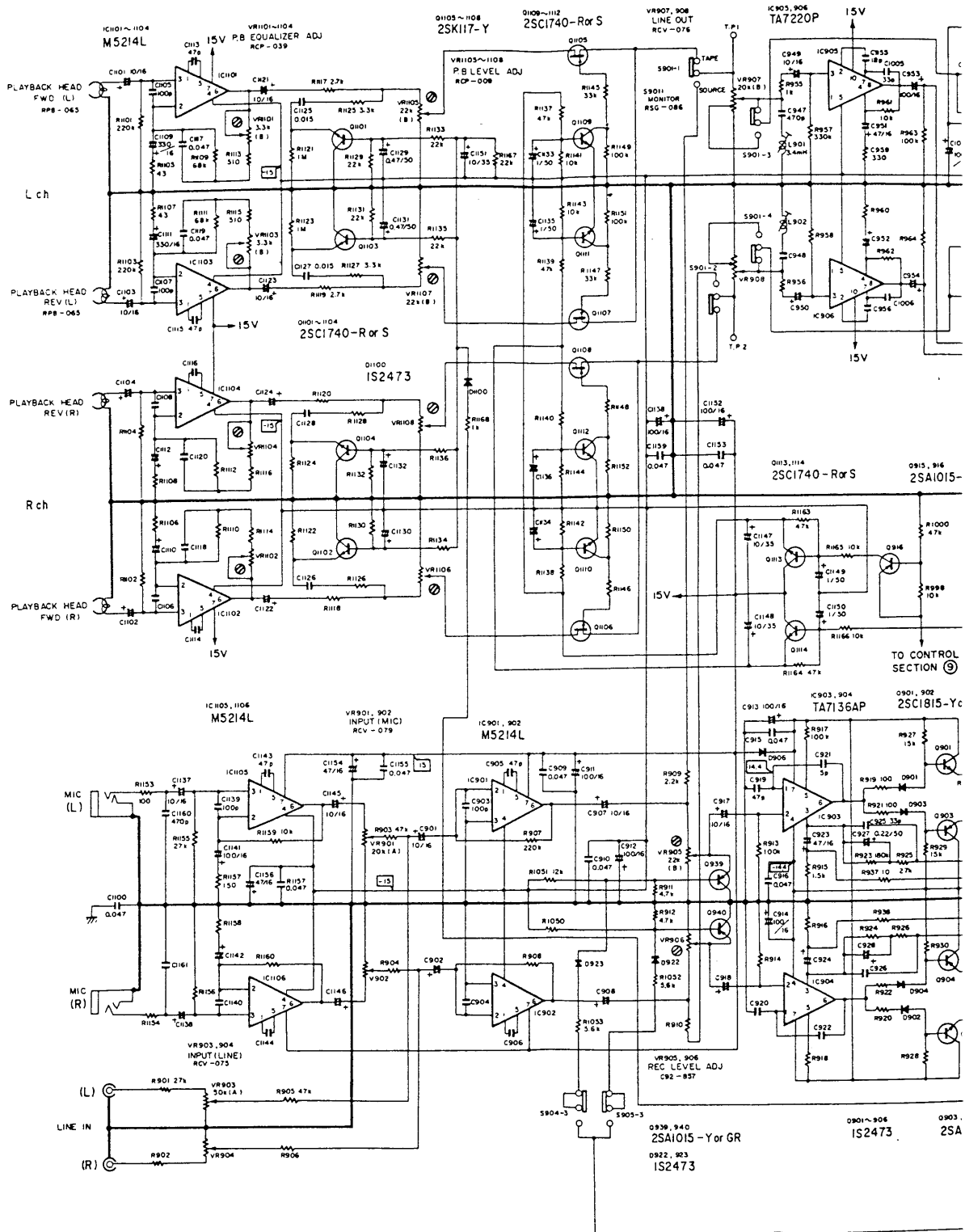
4

5

6

# 1.3 SCHEMATIC DIAGRAMS

## Signal Section





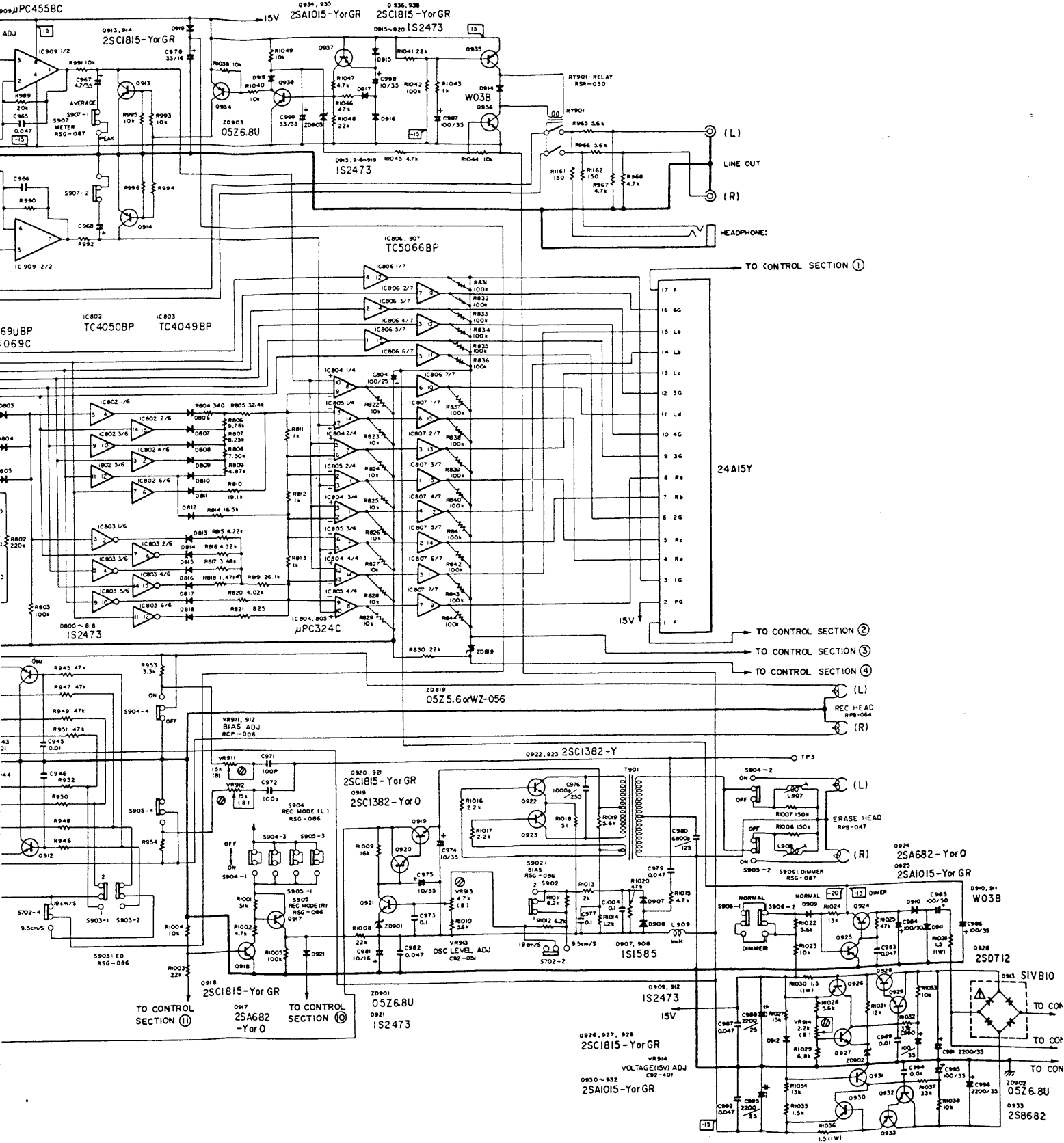
# RT-909

5

6

7

8



5

6

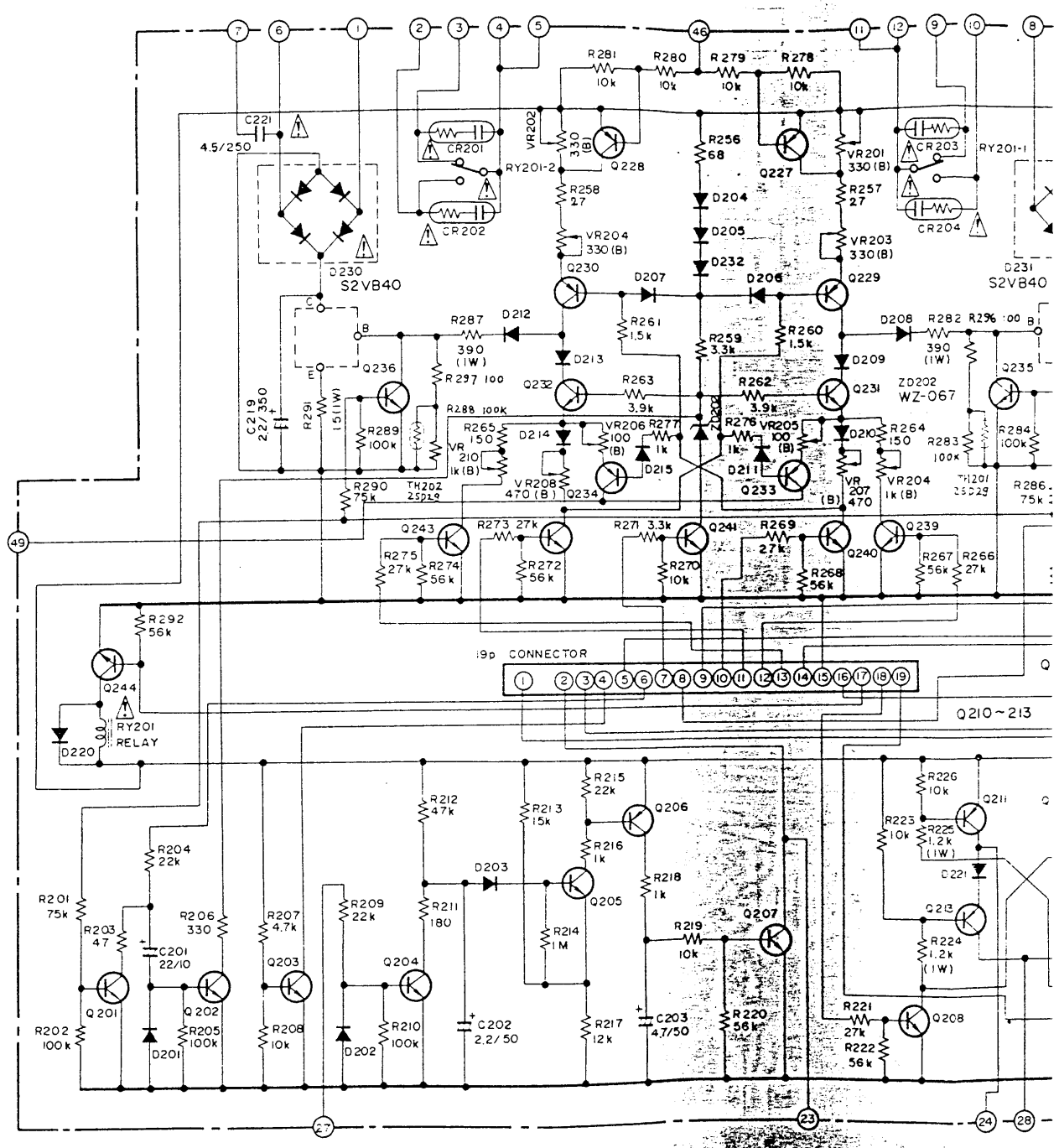
7

8



11.5 CONTROL B ASSEMBLY (RWG-105)

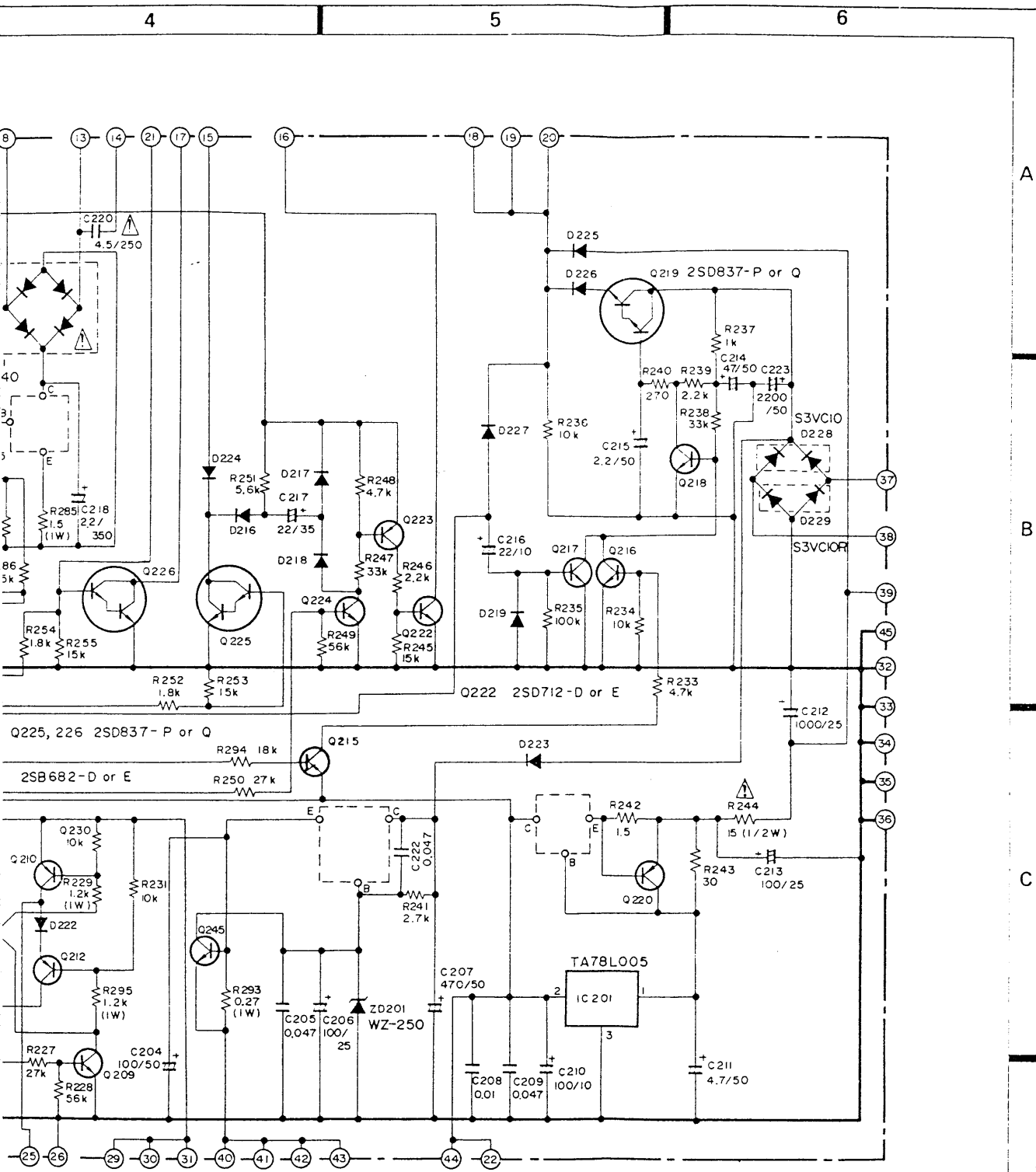
A  
B  
C  
D



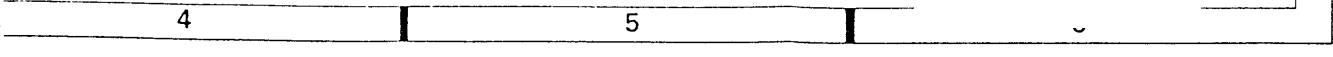
Q201~ 205, 207~ 209, 216~ 218, 224, 231, 232, 235, 236, 239~ 244 : 2SC1740-R or S or 2SC2320L-F or G  
 Q245 : 2SC1382-D or Y  
 Q206, 215, 220, 223, 227~ 230, 233, 234 : 2SA1015-Y or GR or 2SA999L-E or F







- D201~215, 217~219, 227, 232 : 1S2473
- D216, 220 : 1S1585
- D221~223 : W03C or W03B
- D224~226 : S2V20



# RT-909

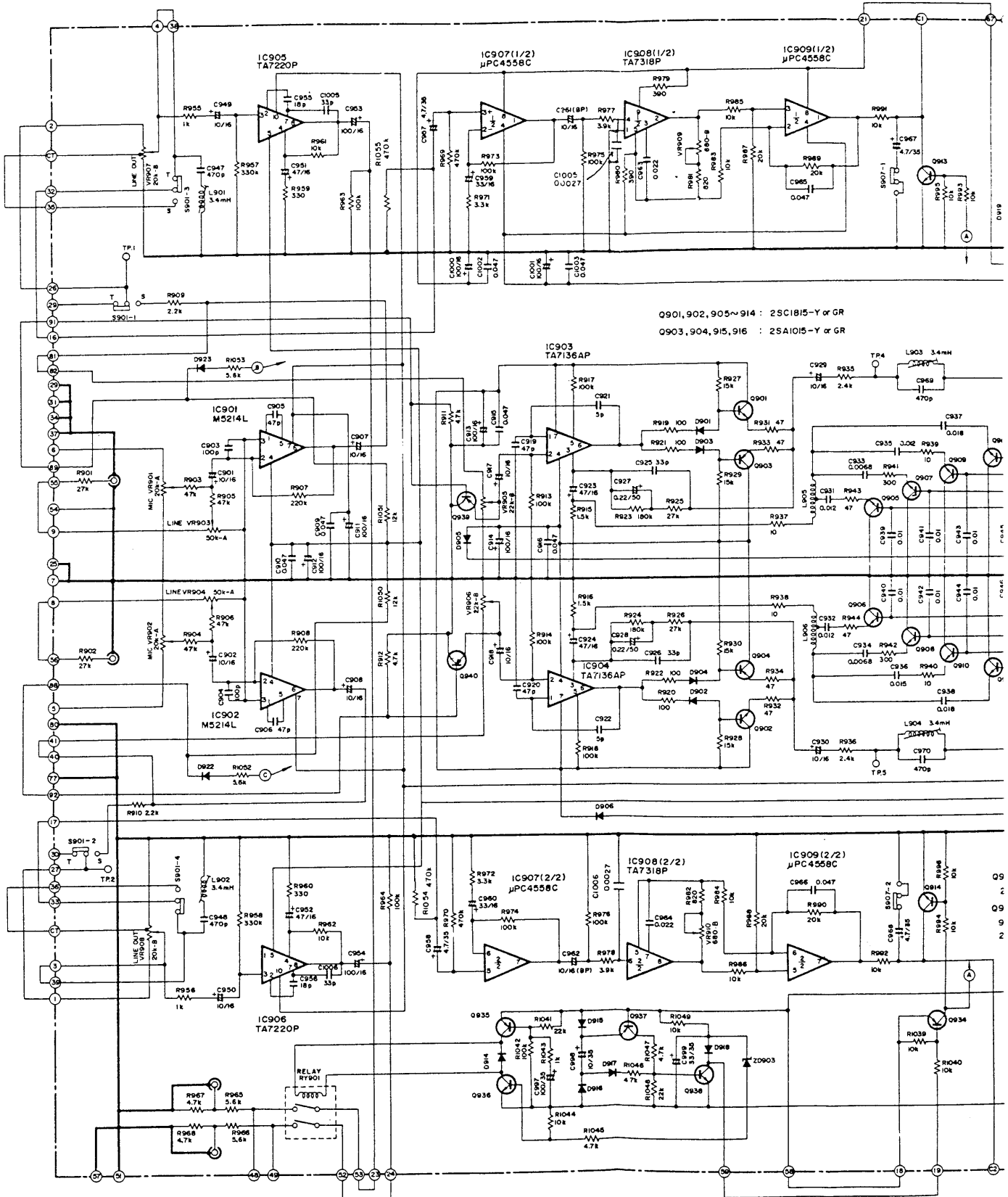
1

2

3

D901~906, 909, 912, 915~923 : 1S2473

D910, 911, 914 : W038



1

2

3



A

B

C

D

