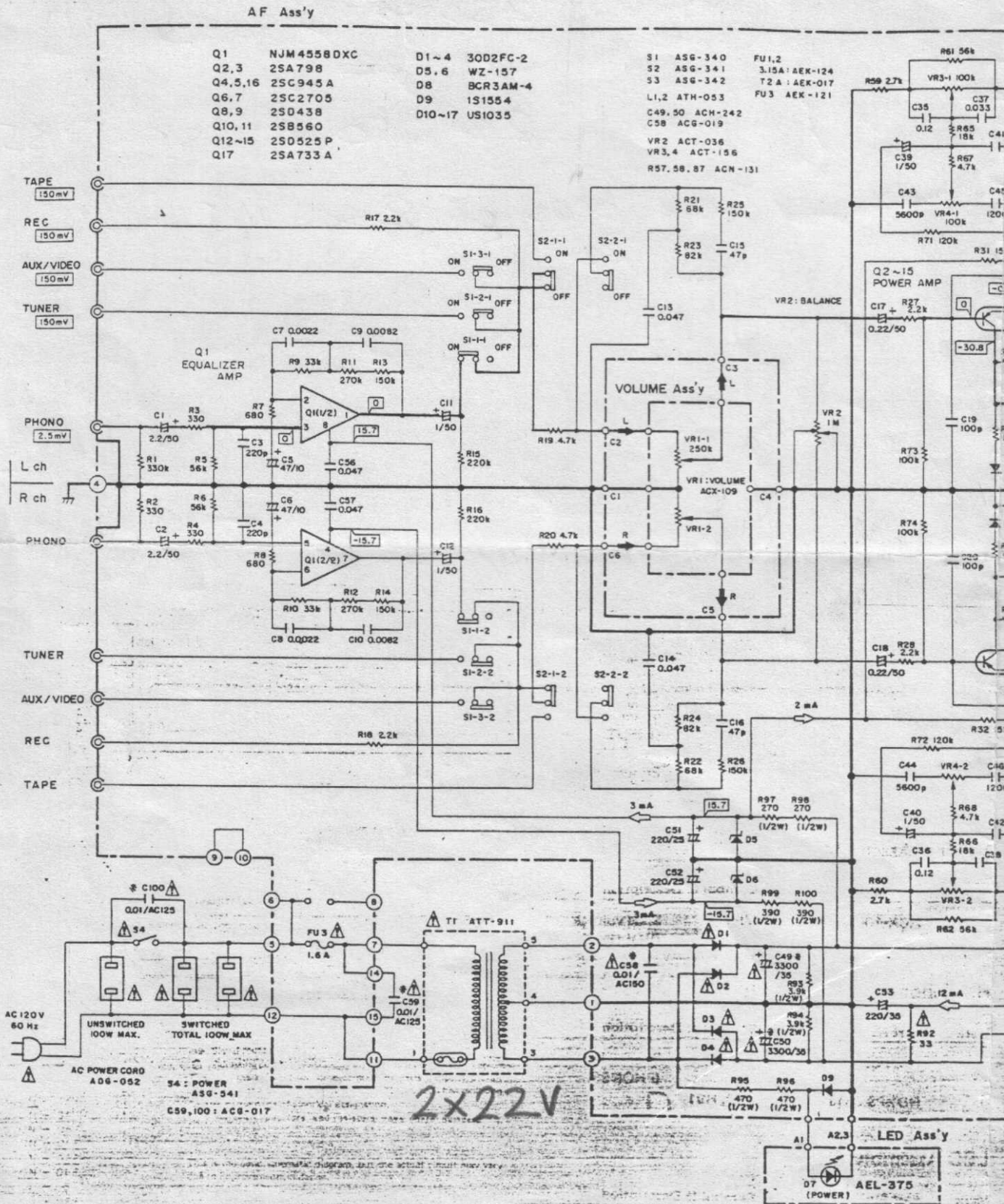


# 7. SCHEMATIC DIAGRAM



2x22V

3

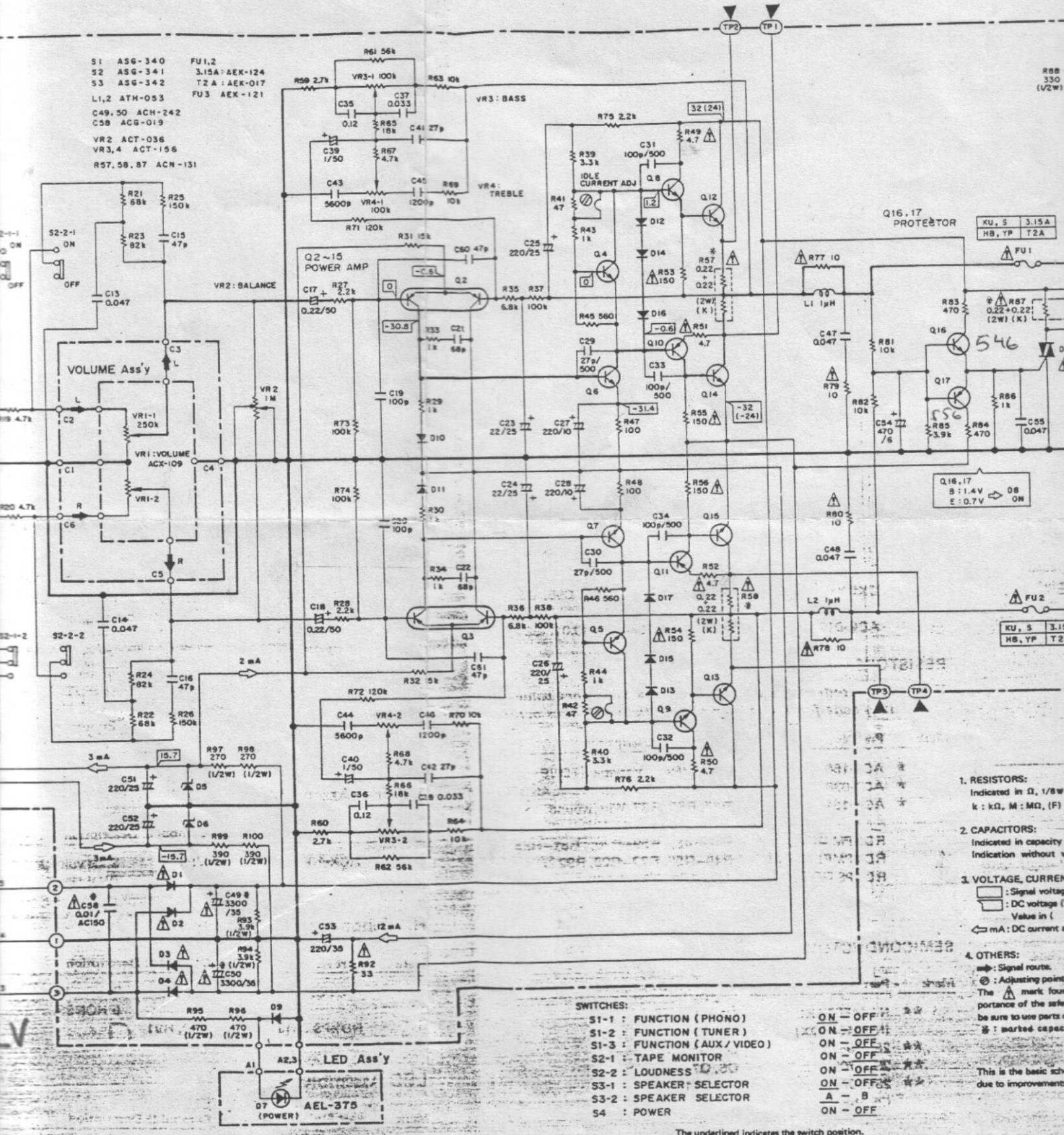
4

5

2SA 735      BC 327

**NOTE:**  
The indicated ser only. Other altern are listed in the po

- S1 ASG-340
- S2 ASG-341
- S3 ASG-342
- L1,2 ATH-053
- C49,50 ACH-242
- C58 ACG-019
- VR2 ACT-036
- VR3,4 ACT-156
- R57,58,87 ACN-131
- FU1,2 3.15A AEX-124
- T2A AEX-017
- FU3 AEX-121



- 1. RESISTORS:**  
Indicated in Ω, 1/8W, 1/4W, 1/2W, 1W, 2W, 5W, 10W, 20W, 50W, 100W, 150W, 250W, 500W, 1000W, 2000W, 5000W, 10000W, 20000W, 50000W, 100000W, 200000W, 500000W, 1000000W.  
k : kΩ, M : MΩ, (F) :
- 2. CAPACITORS:**  
Indicated in capacity (μF). Indication without v
- 3. VOLTAGE, CURRENT:**  
Signal voltage  
DC voltage (V)  
Value in ( )  
mA : DC current at
- 4. OTHERS:**  
Signal route.  
Adjusting point.  
The mark found importance of the asst be sure to use parts of \* : marked capaci

- SWITCHES:**
- S1-1 : FUNCTION (PHONO)
  - S1-2 : FUNCTION (TUNER)
  - S1-3 : FUNCTION (AUX / VIDEO)
  - S2-1 : TAPE MONITOR
  - S2-2 : LOUDNESS
  - S3-1 : SPEAKER SELECTOR
  - S3-2 : SPEAKER SELECTOR
  - S4 : POWER

- ON - OFF
- ON - OFF
- ON - OFF
- ON - OFF
- ON - OFF
- ON - OFF
- ON - OFF
- ON - OFF
- ON - OFF
- ON - OFF

The underlined indicates the switch position.

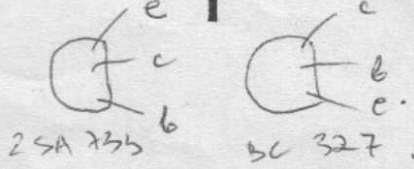
3

4

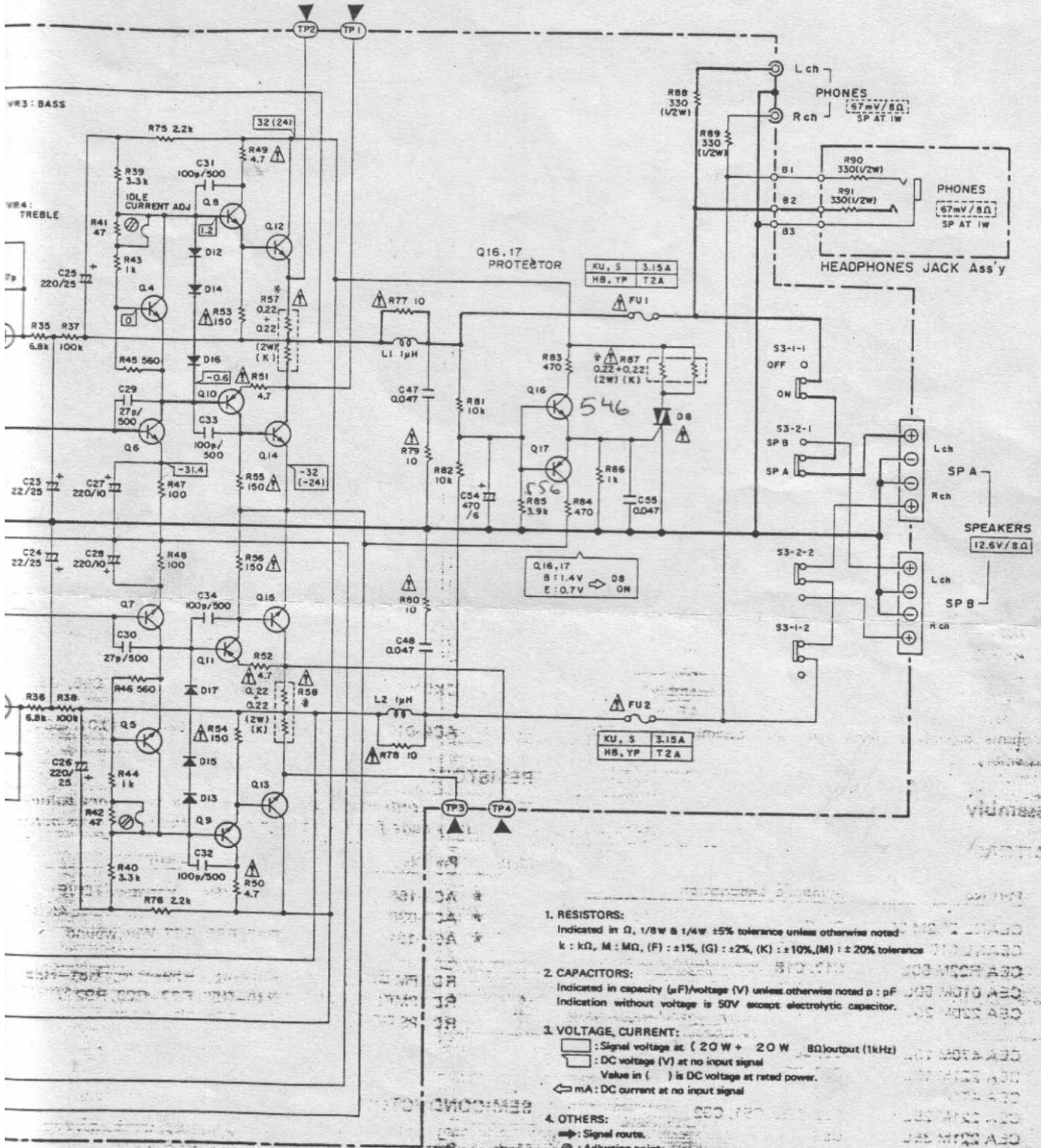
5



4 | | 5 | | 6



**NOTE:**  
The indicated semiconductors are representative ones only. Other alternative semiconductors may be used and are listed in the parts list.



A

B

C

D

- RESISTORS:**  
Indicated in  $\Omega$ , 1/8W & 1/4W  $\pm 5\%$  tolerance unless otherwise noted.  
k : k $\Omega$ , M : M $\Omega$ , (F) :  $\pm 1\%$ , (G) :  $\pm 2\%$ , (K) :  $\pm 10\%$ , (M) :  $\pm 20\%$  tolerance
- CAPACITORS:**  
Indicated in capacity ( $\mu$ F)/voltage (V) unless otherwise noted p : pF  
Indication without voltage is 50V except electrolytic capacitor.
- VOLTAGE, CURRENT:**  
[ ] : Signal voltage at ( 20W + 20W 8 $\Omega$  output (1kHz)  
[ ] : DC voltage (V) at no input signal  
Value in ( ) is DC voltage at rated power.  
[ ] : mA : DC current at no input signal
- OTHERS:**  
[ ] : Signal route.  
[ ] : Adjusting point.  
The  $\Delta$  mark found on some component parts indicates the importance of the safety factor of the part. Therefore, when replacing, be sure to use parts of identical designation.  
\* : marked capacitors and resistors have parts numbers

- SWITCHES:**
- S1-1 : FUNCTION (PHONO)
  - S1-2 : FUNCTION (TUNER)
  - S1-3 : FUNCTION (AUX/VIDEO)
  - S2-1 : TAPE MONITOR
  - S2-2 : LOUDNESS
  - S3-1 : SPEAKER SELECTOR
  - S3-2 : SPEAKER SELECTOR
  - S4 : POWER

- ON - OFF
- ON - OFF
- ON - OFF
- ON - OFF
- ON - OFF
- ON - OFF
- ON - OFF
- ON - OFF
- ON - OFF

The underlined indicates the switch position.

This is the basic schematic diagram, but the actual circuit may vary due to improvements in design.

4 | | 5 | | 6 | | 12