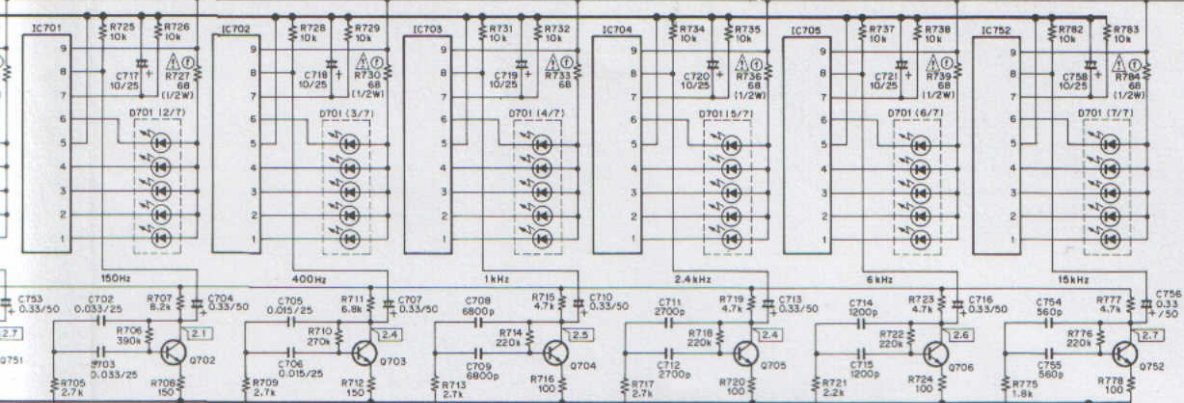


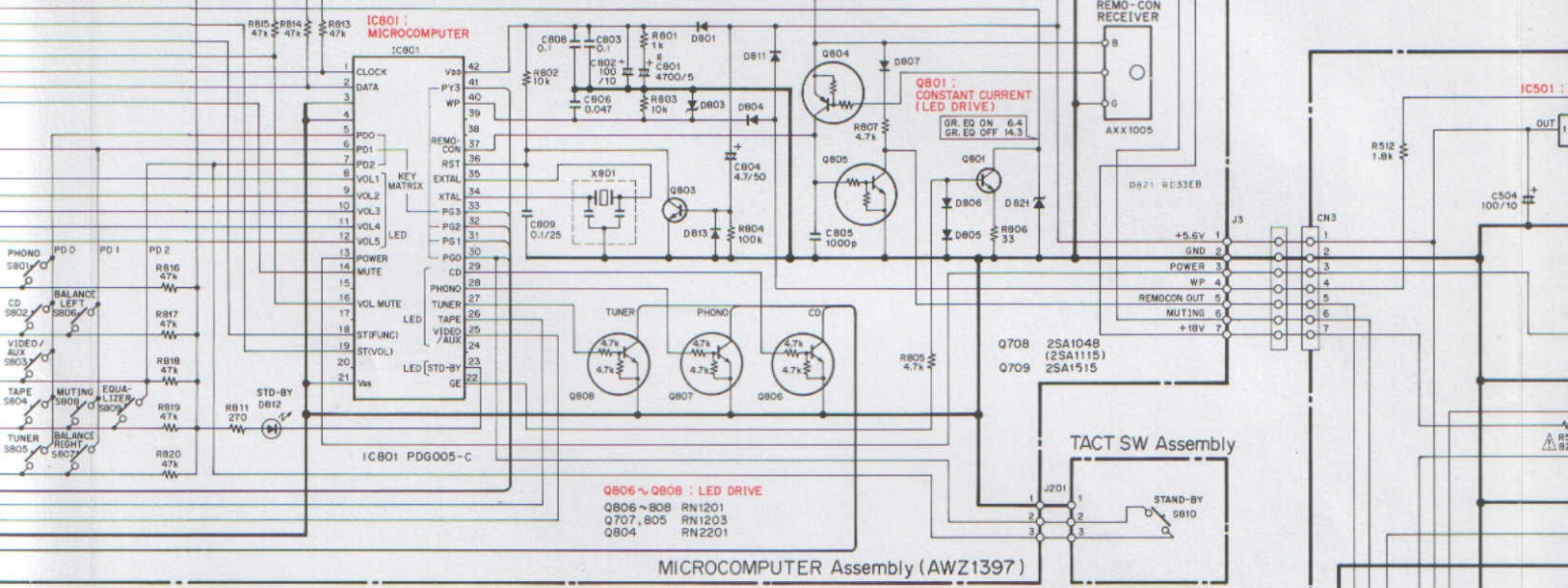
701 ~ 705, 751, 752 BA6144



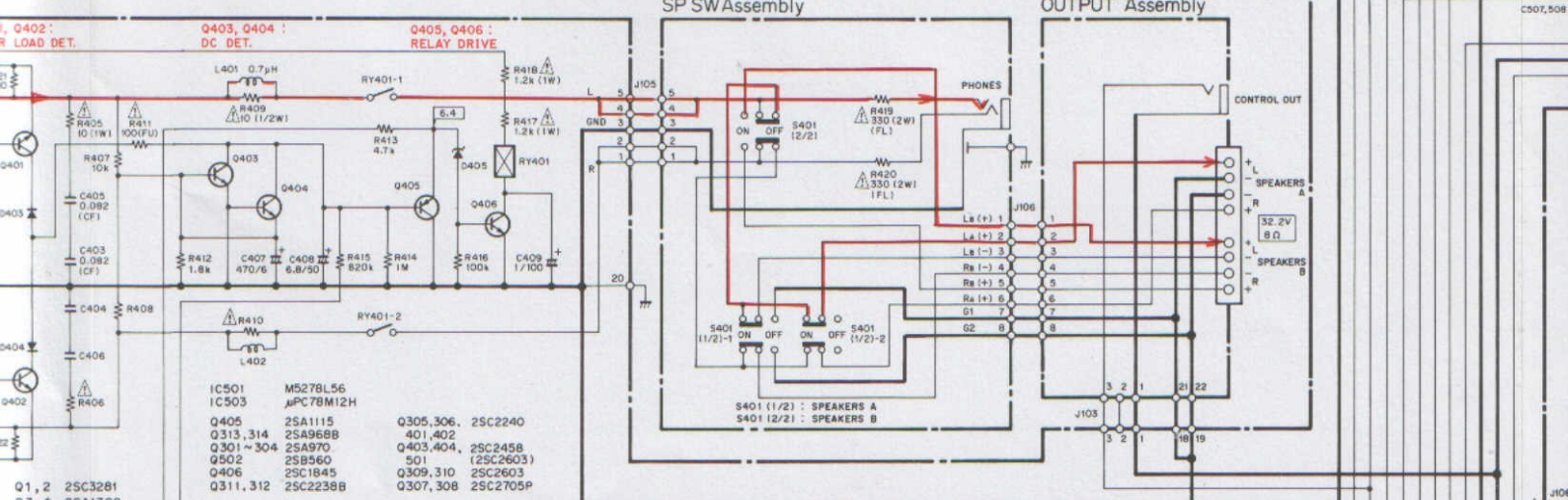
- 1 RESISTORS:
Indicated in Ω, kΩ, MΩ, 1/2W, 1/4W, 1/8W, 1% tolerance
M: Mini, (F) : 1%, (G) : 2%, (K) : 5%
 - 2 CAPACITORS:
Indicated in capacity (μF)/voltage (V)
Indication without voltage is 50V
 - 3 VOLTAGE, CURRENT:
□ Signal voltage of 130V
□ DC voltage (V) at no input signal
□ Value in () is DC voltage
← mA, DC current at no input signal
 - 4 OTHERS:
→ Signal route
⊗ : Adjusting point
The mark found on some components of the safety factor of the design is to be sure to use parts of identical design or marked capacitors and resistors
- This is the basic schematic diagram, due to improvements in design.

Q752 : LED DRIVE
Q751 : BAND PASS FILTER

Q701 ~ 706, 751, 752, 803 25C2458 125C26031 Q801 25C17405 C801 ACH1037 Q804, Q805 : BUFFER



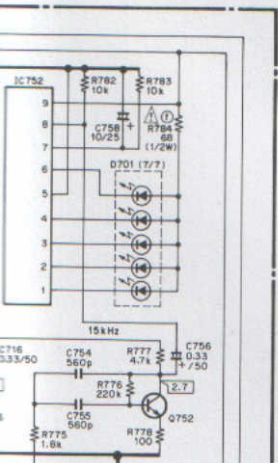
IC801 : MICROCOMPUTER
 IC801 PDG005-C
 Q801 : CONSTANT CURRENT (LED DRIVE)
 Q806 ~ Q808 : LED DRIVE
 Q806 ~ 808 RN1201
 Q707, 805 RN1203
 Q804 RN2201
 MICROCOMPUTER Assembly (AWZ1397)



Q402 : DC DET.
 Q403, Q404 : DC DET.
 Q405, Q406 : DC DET.
 IC501 M5278L56
 IC503 μPC79M12H
 Q405 25A1115
 Q313, 314 25A956B
 Q301 ~ 304 25A970
 Q502 25B560
 Q406 25C1845
 Q311, 312 25C2238B
 Q305, 306 25C2240
 401, 402 25C2458
 Q403, 404 25C2603
 501 25C2603
 Q309, 310 25C2603
 Q307, 308 25C2705P

Q1, 2 25C3281
Q3, 4 25A1302
R339, 340 ACN1018

NOTE:
 The indicated semiconductors
 Other alternative semiconduc
 listed in the parts list.



- RESISTORS:**
 Indicated in Ω, kΩ, MΩ, 1/2W, 15% tolerance unless otherwise noted k: kΩ, M: MΩ, (F): ±1%, (G): ±2%, (K): ±10%, (IM): ±20% tolerance
- CAPACITORS:**
 Indicated in capacity (μF)/voltage (V) unless otherwise noted p: pF
 Indication without voltage is 50V except electrolytic capacitor.
- VOLTAGE, CURRENT:**
 Signal voltage of 130W + 130W, 8Ω output (1 kHz)
 DC voltage (V) at no input signal
 Value in () is DC voltage at rated power
 mA: DC current at no input signal

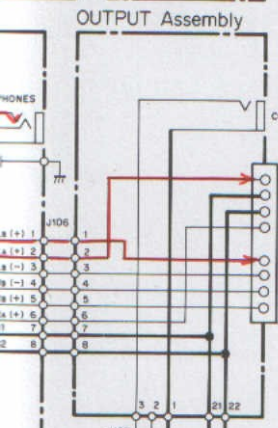
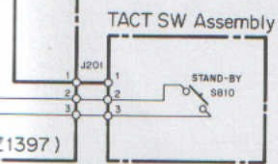
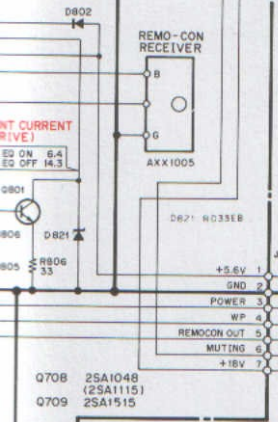
- SWITCHES** (The underline indicates the switch position)
 SP SW Assembly
 S401(1/2)-1 : SPEAKERS A ON - OFF SWITCHED
 S401(1/2)-2 : SPEAKERS A ON - OFF
 S401(2/2) : SPEAKERS B ON - OFF

- MICROCOMPUTER, SPECTRUM ANALYZER Assembly (AWZ1397)
- S801 : PHONO
 - S802 : CD
 - S803 : VIDEO/AUX
 - S804 : TAPE
 - S805 : TUNER
 - S806 : BALANCE LEFT
 - S807 : BALANCE RIGHT
 - S808 : MUTING
 - S809 : EQUALIZER

- TACT SW Assembly
 SB10 : STAND-BY/ON
- VR SW Assembly
 SB11 : VOLUME CONTROL

- OTHERS:**
 Signal route.
 Adjusting point.
 The mark found on some component parts indicates the importance of the safety factor of the part. Therefore, when replacing, be sure to use parts of identical designation.
 marked capacitors and resistors have parts numbers.

This is the basic schematic diagram, but the actual circuit may vary due to improvements in design.



AF Assembly (AWZ1385)

