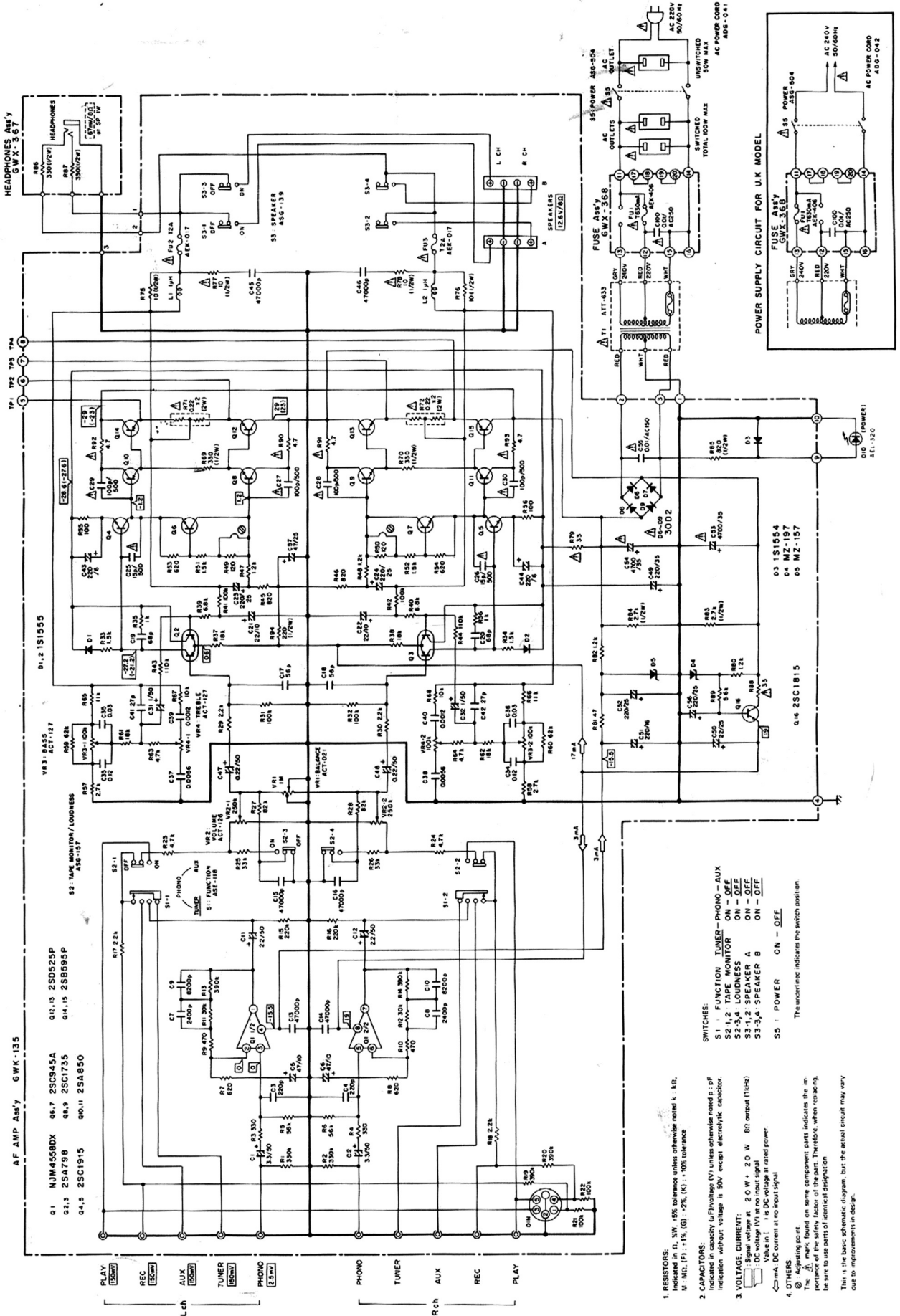


SCHEMATIC DIAGRAM HE, HB models



AF AMP ASBY G.W.K.-135

01 NUM4580X 02-15 250525P 03-15 250945A 04-15 250955P

03-5 250798 04-5 250735 05-11 250850

01-2 1S1555

VR3 8A57127 ACT-127

VR2-1 25000 ACT-127

VR2-2 25000 ACT-127

VR2-3 25000 ACT-127

VR2-4 25000 ACT-127

VR2-5 25000 ACT-127

VR2-6 25000 ACT-127

VR2-7 25000 ACT-127

VR2-8 25000 ACT-127

VR2-9 25000 ACT-127

VR2-10 25000 ACT-127

VR2-11 25000 ACT-127

VR2-12 25000 ACT-127

VR2-13 25000 ACT-127

VR2-14 25000 ACT-127

VR2-15 25000 ACT-127

VR2-16 25000 ACT-127

VR2-17 25000 ACT-127

VR2-18 25000 ACT-127

VR2-19 25000 ACT-127

VR2-20 25000 ACT-127

VR2-21 25000 ACT-127

VR2-22 25000 ACT-127

VR2-23 25000 ACT-127

VR2-24 25000 ACT-127

VR2-25 25000 ACT-127

VR2-26 25000 ACT-127

VR2-27 25000 ACT-127

VR2-28 25000 ACT-127

VR2-29 25000 ACT-127

VR2-30 25000 ACT-127

VR2-31 25000 ACT-127

VR2-32 25000 ACT-127

VR2-33 25000 ACT-127

VR2-34 25000 ACT-127

VR2-35 25000 ACT-127

VR2-36 25000 ACT-127

VR2-37 25000 ACT-127

VR2-38 25000 ACT-127

VR2-39 25000 ACT-127

VR2-40 25000 ACT-127

VR2-41 25000 ACT-127

VR2-42 25000 ACT-127

VR2-43 25000 ACT-127

VR2-44 25000 ACT-127

VR2-45 25000 ACT-127

VR2-46 25000 ACT-127

VR2-47 25000 ACT-127

VR2-48 25000 ACT-127

VR2-49 25000 ACT-127

VR2-50 25000 ACT-127

VR2-51 25000 ACT-127

VR2-52 25000 ACT-127

VR2-53 25000 ACT-127

VR2-54 25000 ACT-127

VR2-55 25000 ACT-127

VR2-56 25000 ACT-127

VR2-57 25000 ACT-127

VR2-58 25000 ACT-127

VR2-59 25000 ACT-127

VR2-60 25000 ACT-127

VR2-61 25000 ACT-127

VR2-62 25000 ACT-127

VR2-63 25000 ACT-127

VR2-64 25000 ACT-127

VR2-65 25000 ACT-127

VR2-66 25000 ACT-127

VR2-67 25000 ACT-127

VR2-68 25000 ACT-127

VR2-69 25000 ACT-127

VR2-70 25000 ACT-127

VR2-71 25000 ACT-127

VR2-72 25000 ACT-127

VR2-73 25000 ACT-127

VR2-74 25000 ACT-127

VR2-75 25000 ACT-127

VR2-76 25000 ACT-127

VR2-77 25000 ACT-127

VR2-78 25000 ACT-127

VR2-79 25000 ACT-127

VR2-80 25000 ACT-127

VR2-81 25000 ACT-127

VR2-82 25000 ACT-127

VR2-83 25000 ACT-127

VR2-84 25000 ACT-127

VR2-85 25000 ACT-127

VR2-86 25000 ACT-127

VR2-87 25000 ACT-127

VR2-88 25000 ACT-127

VR2-89 25000 ACT-127

VR2-90 25000 ACT-127

VR2-91 25000 ACT-127

VR2-92 25000 ACT-127

VR2-93 25000 ACT-127

VR2-94 25000 ACT-127

VR2-95 25000 ACT-127

VR2-96 25000 ACT-127

VR2-97 25000 ACT-127

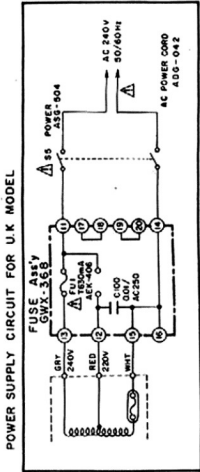
VR2-98 25000 ACT-127

VR2-99 25000 ACT-127

VR2-100 25000 ACT-127

- SWITCHES:
- S1 FUNCTION TUNER - PHONO - AUX ON - OFF
 - S2-1,2 TAPE MONITOR ON - OFF
 - S2-3,4 LOUDNESS ON - OFF
 - S3-1,2 SPEAKER A ON - OFF
 - S3-3,4 SPEAKER B ON - OFF
 - S5 POWER ON - OFF

1. RESISTORS: Indicated in Ω, W, 5% tolerance unless otherwise noted; K: 10% tolerance
2. CAPACITORS: Signal voltage is 20 W, 2.0 W, 80 output (11-42) indication without voltage is 50V, except electrolytic capacitor. Value in Ω is DC voltage at rated power.
3. VOLTAGE CURRENT: 20 W, 2.0 W, 80 output (11-42) indication without voltage is 50V, except electrolytic capacitor. Value in Ω is DC voltage at rated power.
4. OTHERS: Adjusting point. The 'A' mark found on some component parts indicates the minimum of the safety factor of the part. Therefore, when replacing, be sure to use parts of identical specification. This is the basic schematic diagram, but the actual circuit may vary due to improvements in design.



POWER SUPPLY CIRCUIT FOR U.K. MODEL