



# *Service Manual*

STEREO AMPLIFIER

# **SA-506**

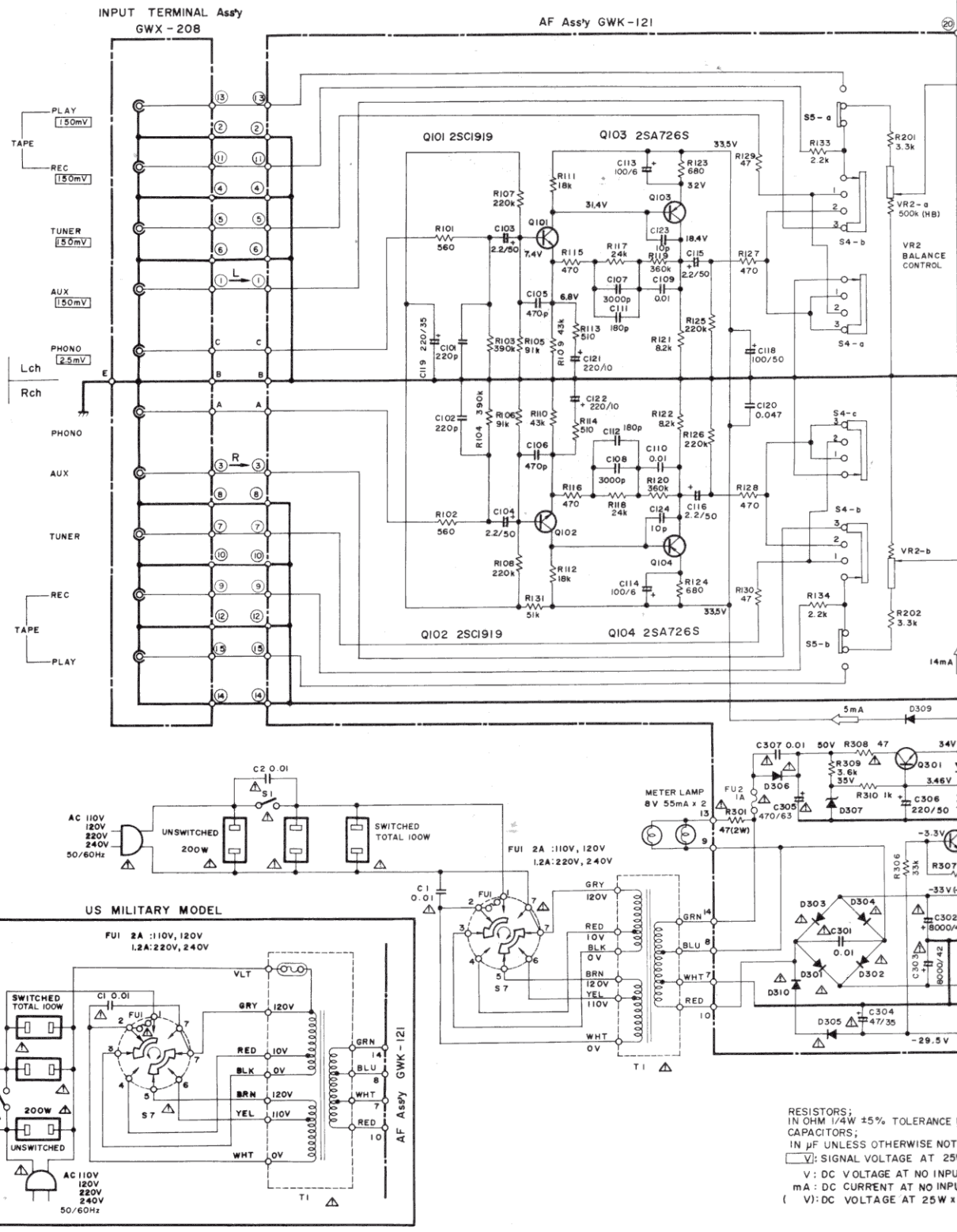
 **PIONEER®**

# 2. SCHEMATIC DIAGRAMS, P.C. BOARD PATTERNS

## 2.1 SCHEMATIC DIAGRAM

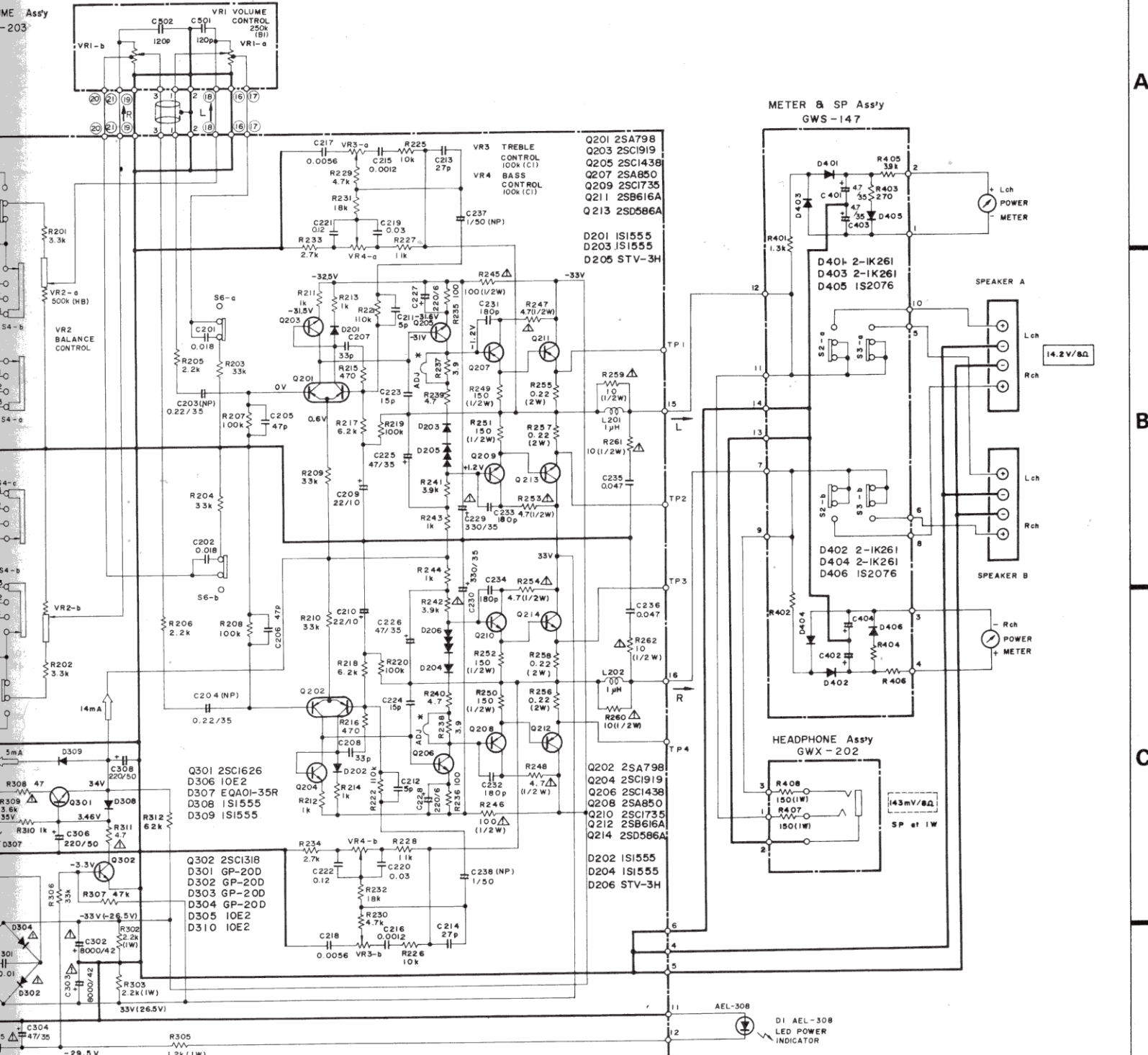
VOLUME Assy  
GWX - 203

A  
B  
C  
D



RESISTORS:  
1/4W ±5% TOLERANCE UNLESS OTHERWISE NOTED  
CAPACITORS:  
IN µF UNLESS OTHERWISE NOTED  
V: SIGNAL VOLTAGE AT 25W  
V: DC VOLTAGE AT NO INPUT  
mA: DC CURRENT AT NO INPUT  
(V): DC VOLTAGE AT 25W x 2

# TERNS AND PARTS LIST



ME Assy  
-203

METER & SP Assy  
GWS-147

HEADPHONE Assy  
GWX-202

- Q201 2SA79B
- Q203 2SC1919
- Q205 2SC143B
- Q207 2SA850
- Q209 2SC1735
- Q211 2SB616A
- Q213 2SD586A
- D201 1S1555
- D203 1S1555
- D205 STV-3H

- Q202 2SA79B
- Q204 2SC1919
- Q206 2SC143B
- Q208 2SA850
- Q210 2SC1735
- Q212 2SB616A
- Q214 2SD586A
- D202 1S1555
- D204 1S1555
- D206 STV-3H

- Q301 2SC1626
- D306 1OE2
- D307 EQA01-35R
- D308 1S1555
- D309 1S1555
- Q302 2SC1318
- D301 GP-20D
- D302 GP-20D
- D303 GP-20D
- D304 GP-20D
- D305 1OE2
- D310 1OE2

RESISTORS: 5% TOLERANCE UNLESS OTHERWISE NOTED k:kΩ M:MΩ  
CAPACITORS: UNLESS OTHERWISE NOTED p:pF  
VOLTAGE AT NO INPUT SIGNAL  
CURRENT AT NO INPUT SIGNAL  
VOLTAGE AT 25W x 2 OUTPUT

This is the basic schematic diagram, but the actual circuit may vary due to improvements in design.

The  $\Delta$  mark found on some component parts indicates the importance of the safety factor of the part. Therefore, when replacing be sure to use parts of identical designation.

**SWITCHES:**

- S1: POWER OFF-ON
- S2: SPEAKER A OFF-ON
- S3: SPEAKER B OFF-ON
- S4: FUNCTION
- S5: TAPE MONITOR OFF-ON
- S6: LOUDNESS OFF-ON
- S7: LINE VOLTAGE SELECTOR

The underlined indicates the switch position.