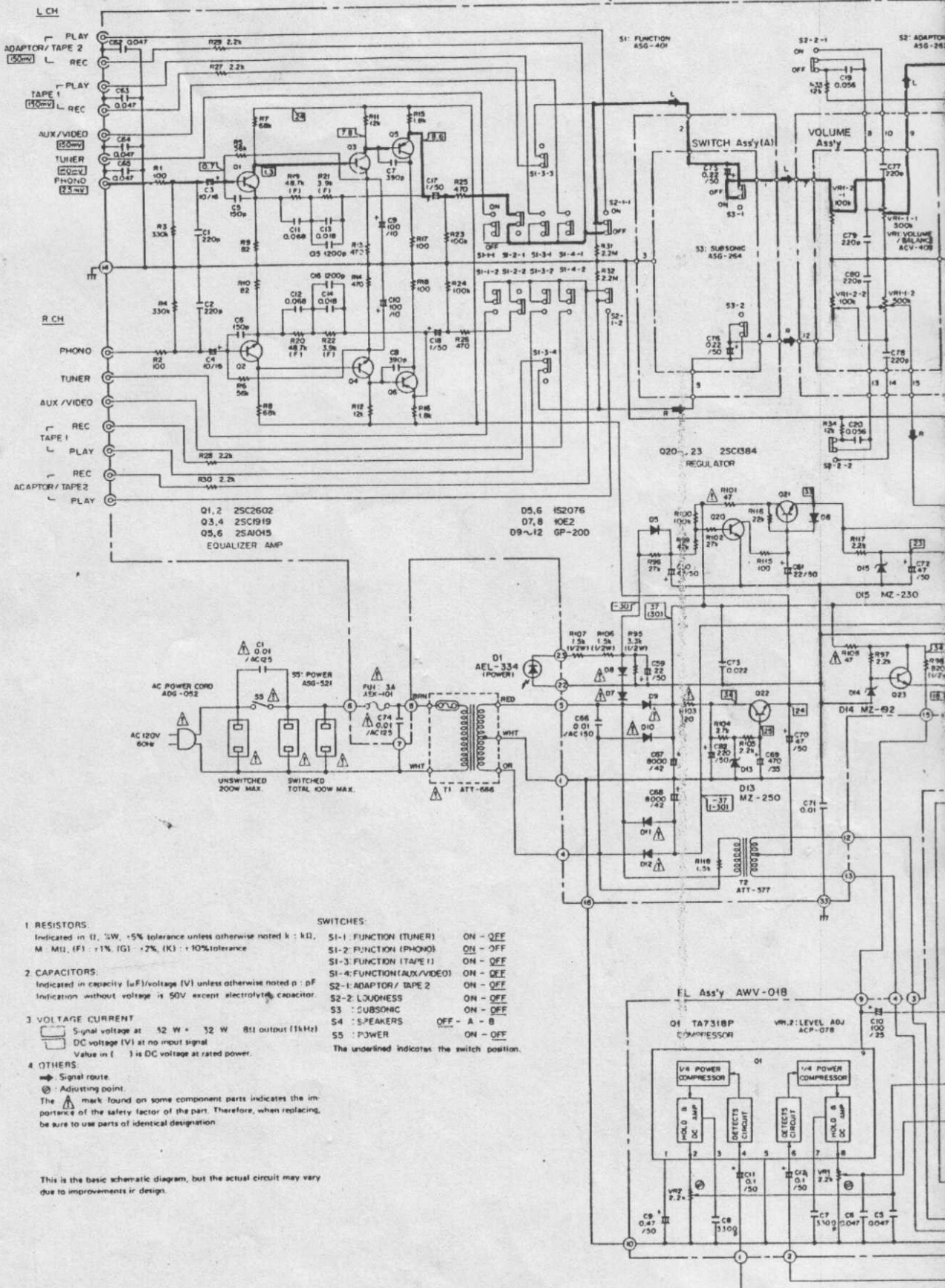


# 7. SCHEMATIC DIAGRAM



This is the basic schematic diagram, but the actual circuit may vary due to improvements in design.

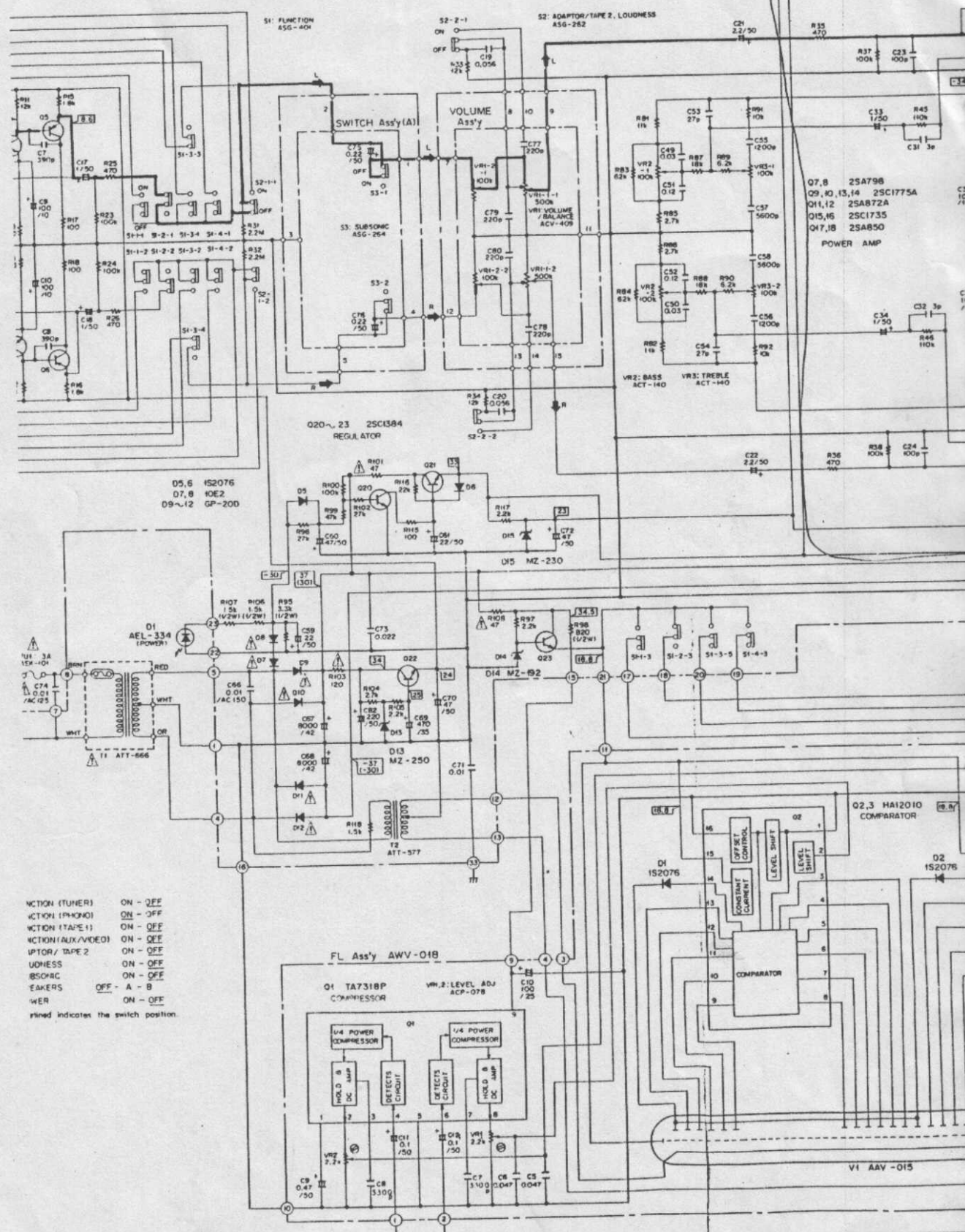
IAM

2

3

4

AF Ass'y GWK-170



05,6 IS2076  
07,8 IOE2  
09-12 GP-200

Q7,8 2SA796  
Q9,10,13,14 2SC1775A  
Q11,12 2SA872A  
Q15,16 2SC1735  
Q17,18 2SA850  
POWER AMP

020-23 2SC1384  
REGULATOR

FL Ass'y AWW-018

- FUNCTION (TUNER) ON - OFF
  - FUNCTION (PHONE) ON - OFF
  - FUNCTION (TAPE 1) ON - OFF
  - FUNCTION (AUX/VIDEO) ON - OFF
  - ADAPTOR/TAPE 2 ON - OFF
  - LOUDNESS ON - OFF
  - SUBSONIC ON - OFF
  - EAKERS OFF - A - B
  - WER ON - OFF
- lined indicates the switch position.

2

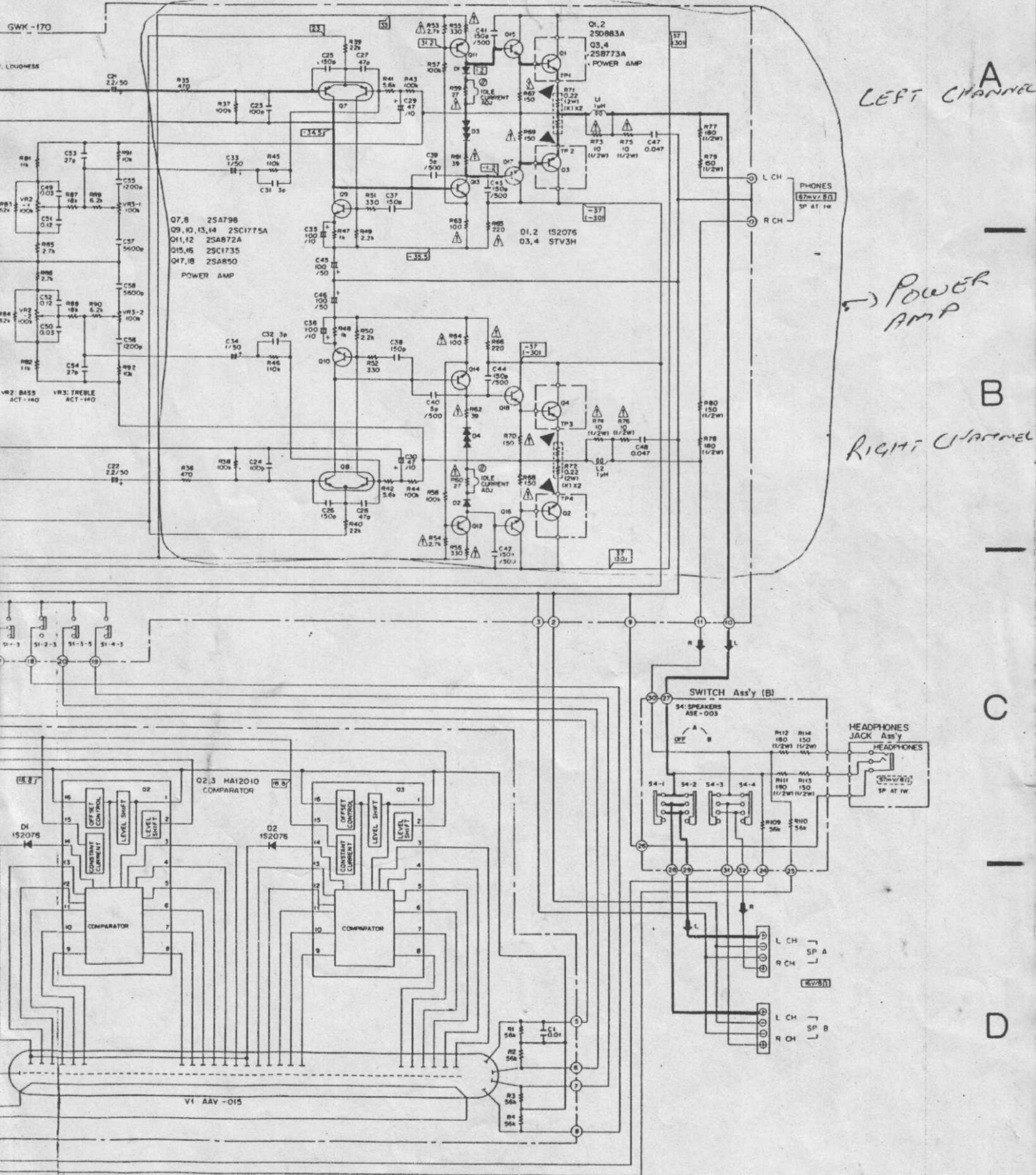
3

4

VI AAW-015



NOTE: The indicated semiconductors are representative ones only. Other alternative semiconductors may be used and are listed in the parts list.



A  
LEFT CHANNEL

POWER AMP

B

RIGHT CHANNEL

C

D