



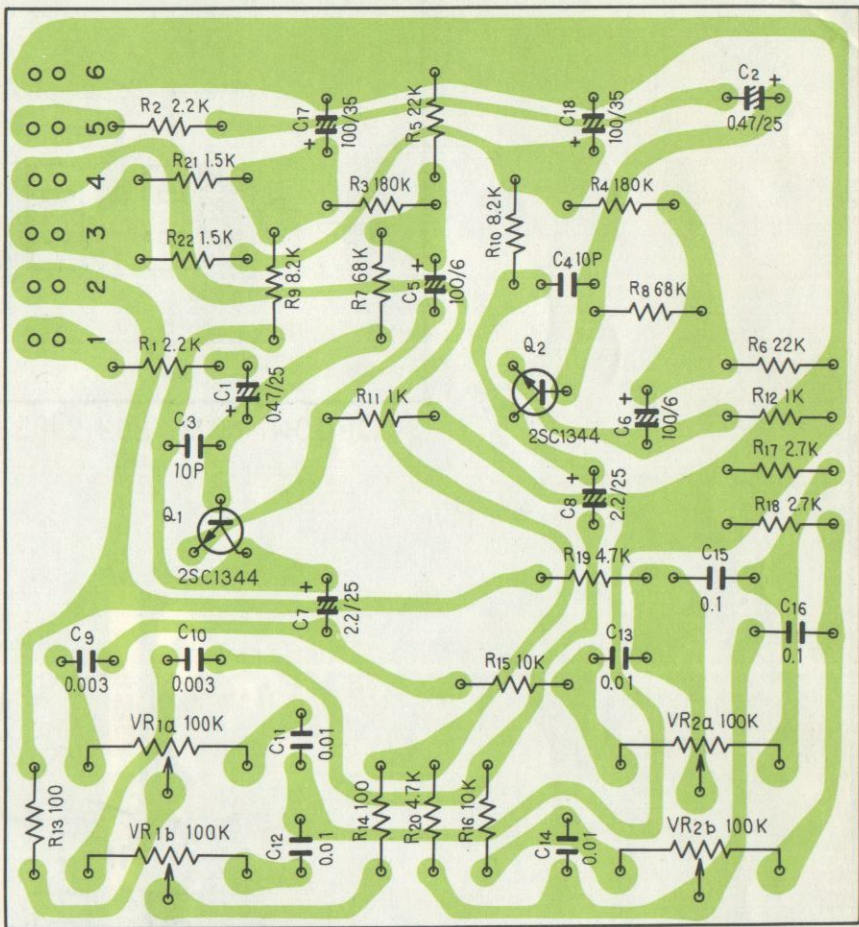
STEREO AMPLIFIER

**SA-5200**

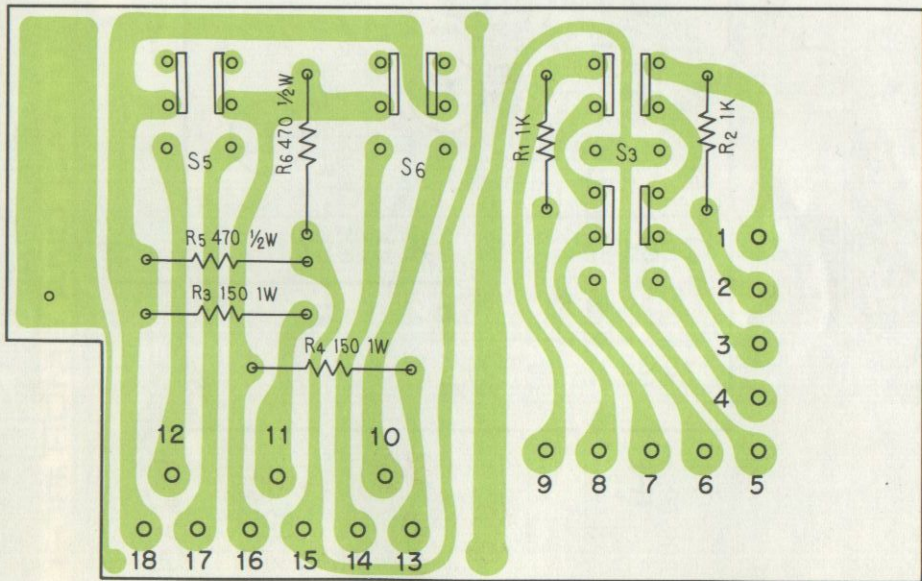
**FV KC KU**

1

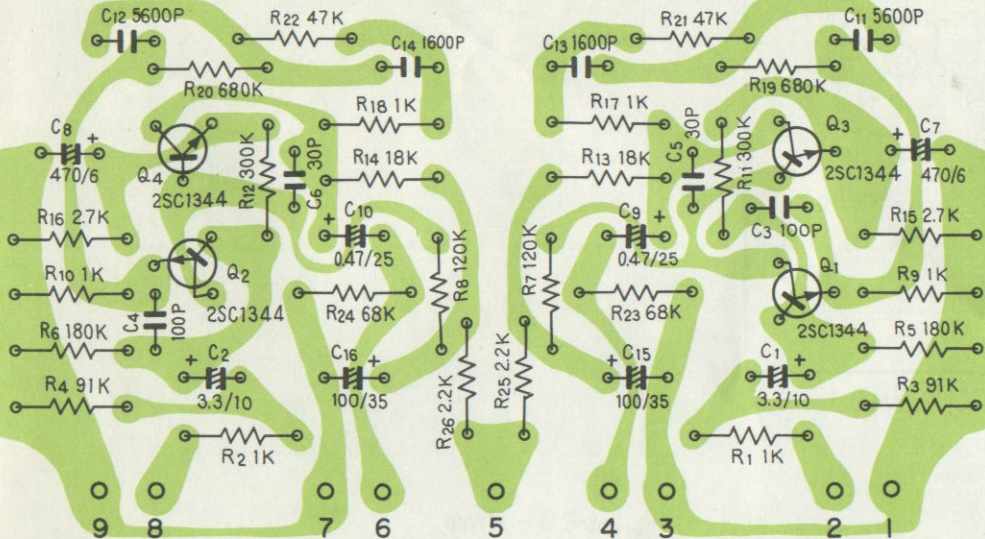
# Control amp ass'y AWG-021



# Switch circuit A ass'y AWS-046

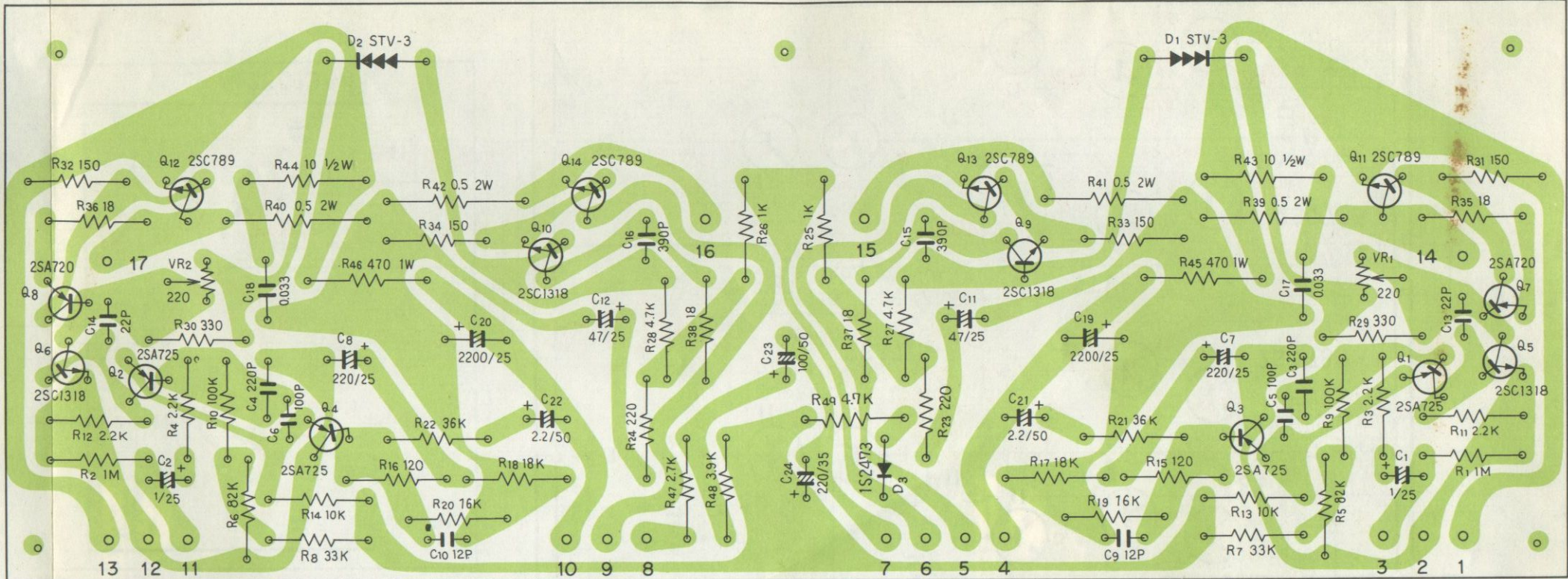


# Equalizer amp ass'y AWF-008

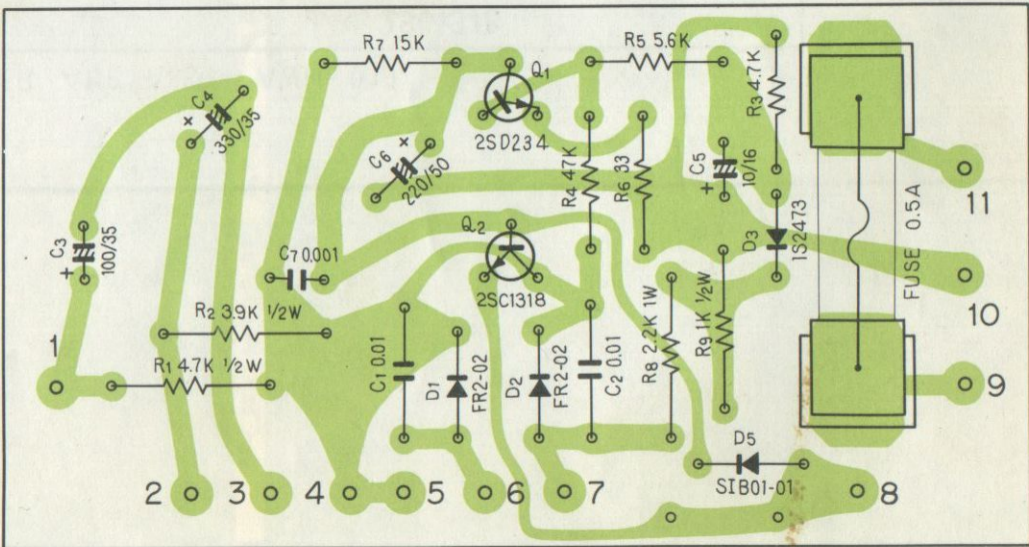




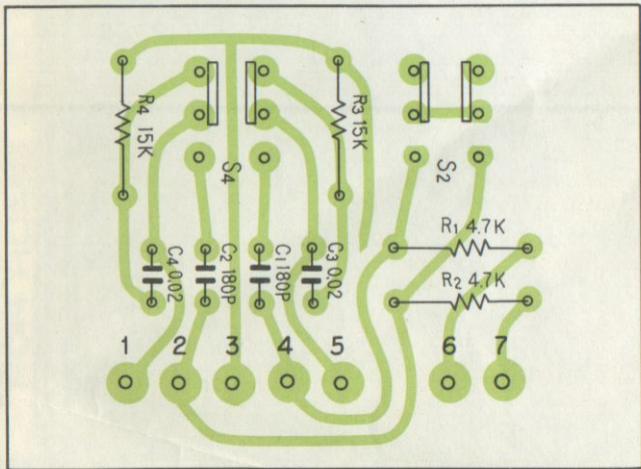
Power amp ass'y AWH-019



# Power supply ass'y AWR-034

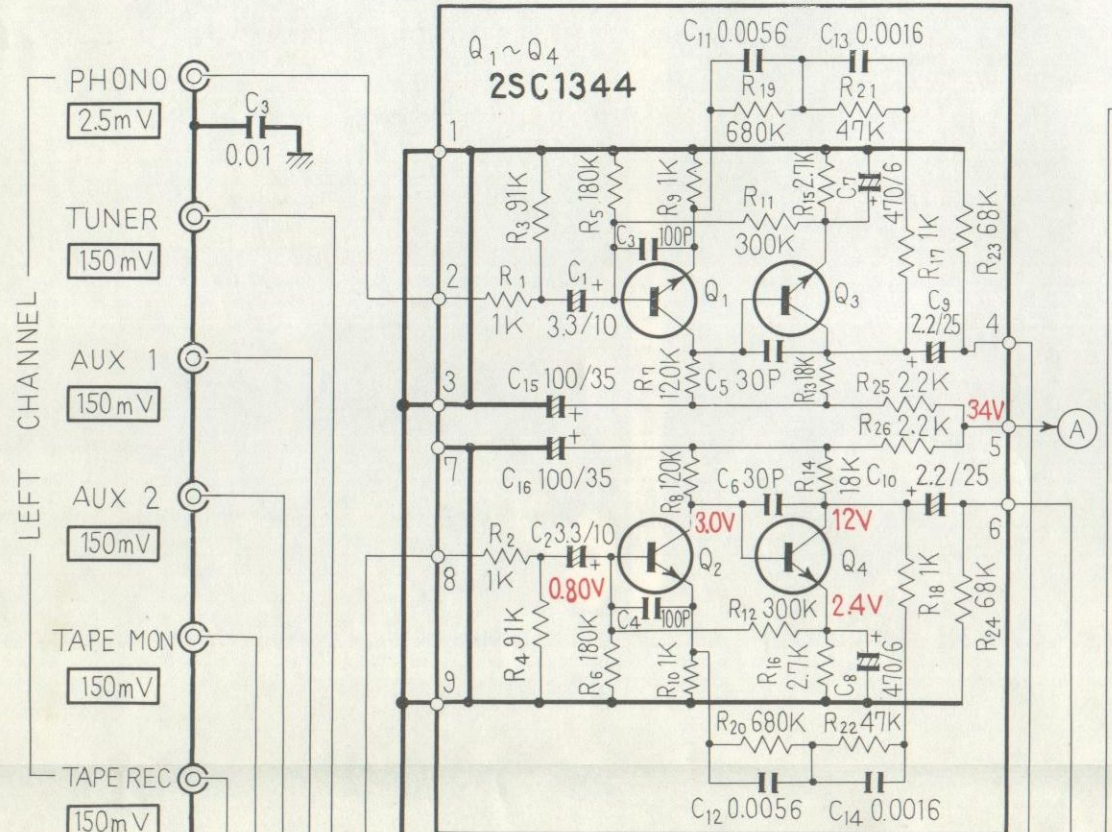


# Switch circuit Bass'y AWS-047





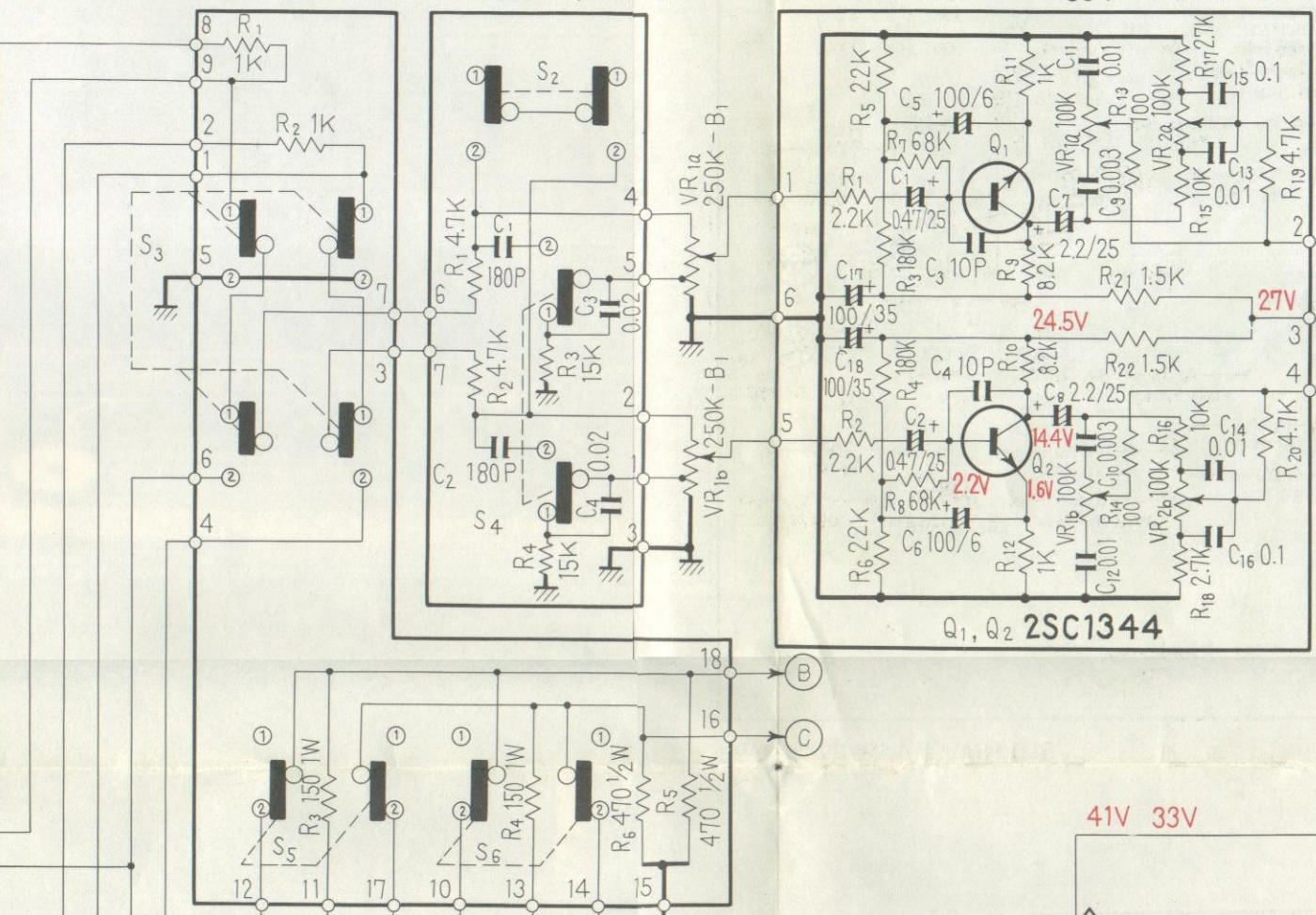
EQUALIZER AMP ASS'Y AWF-008



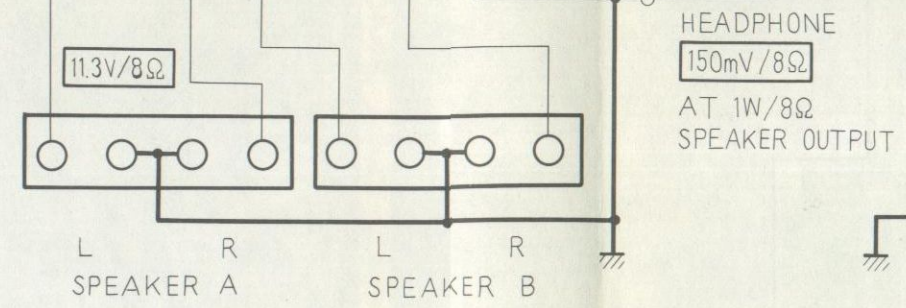
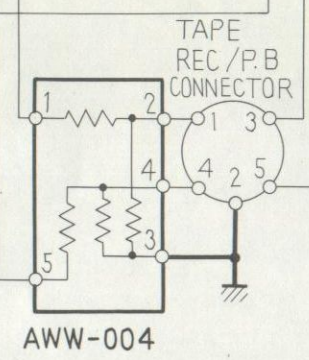
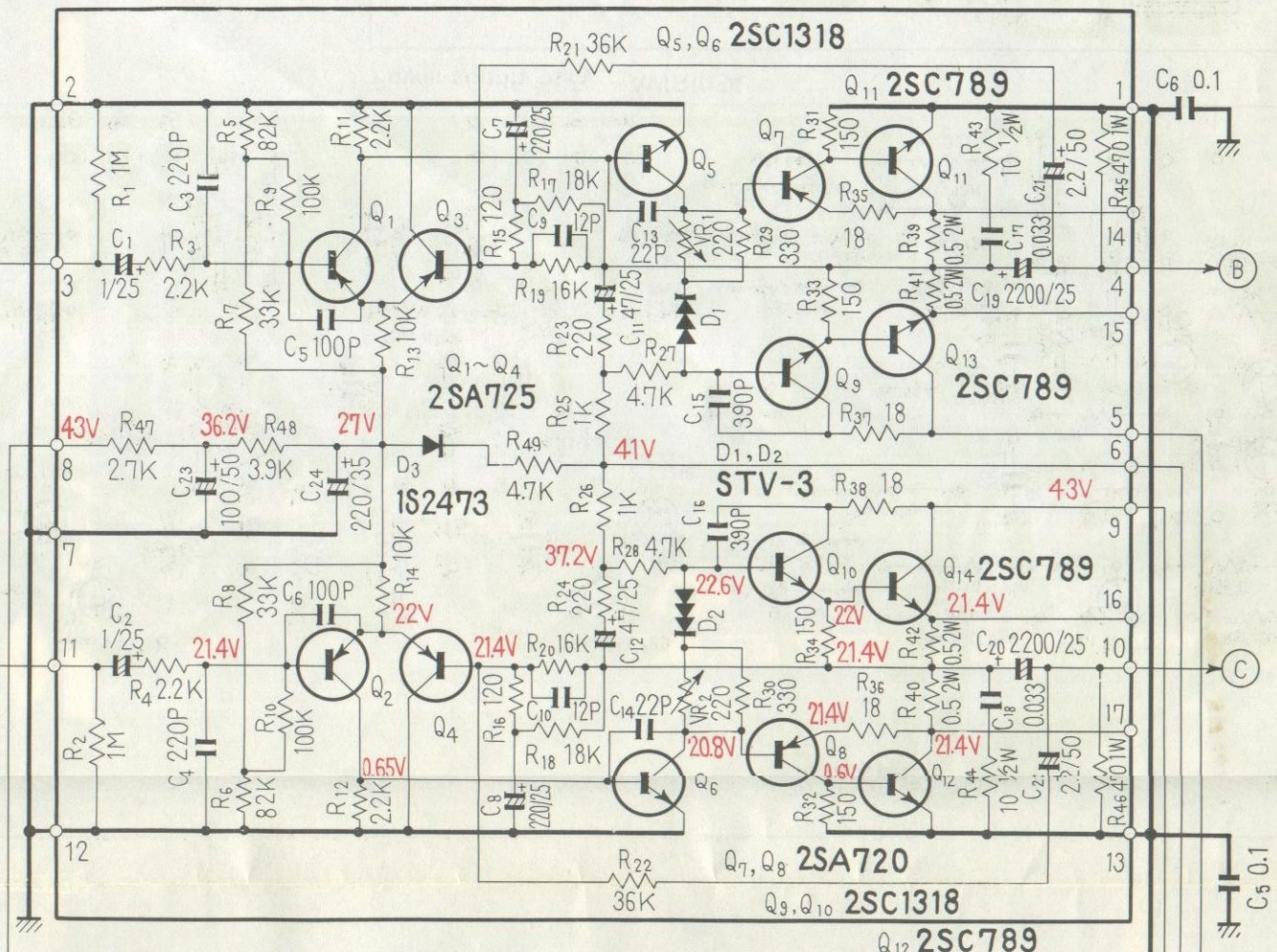
SWITCH CIRCUIT-A ASS'Y AWS-046

SWITCH CIRCUIT-B ASS'Y AWS-047

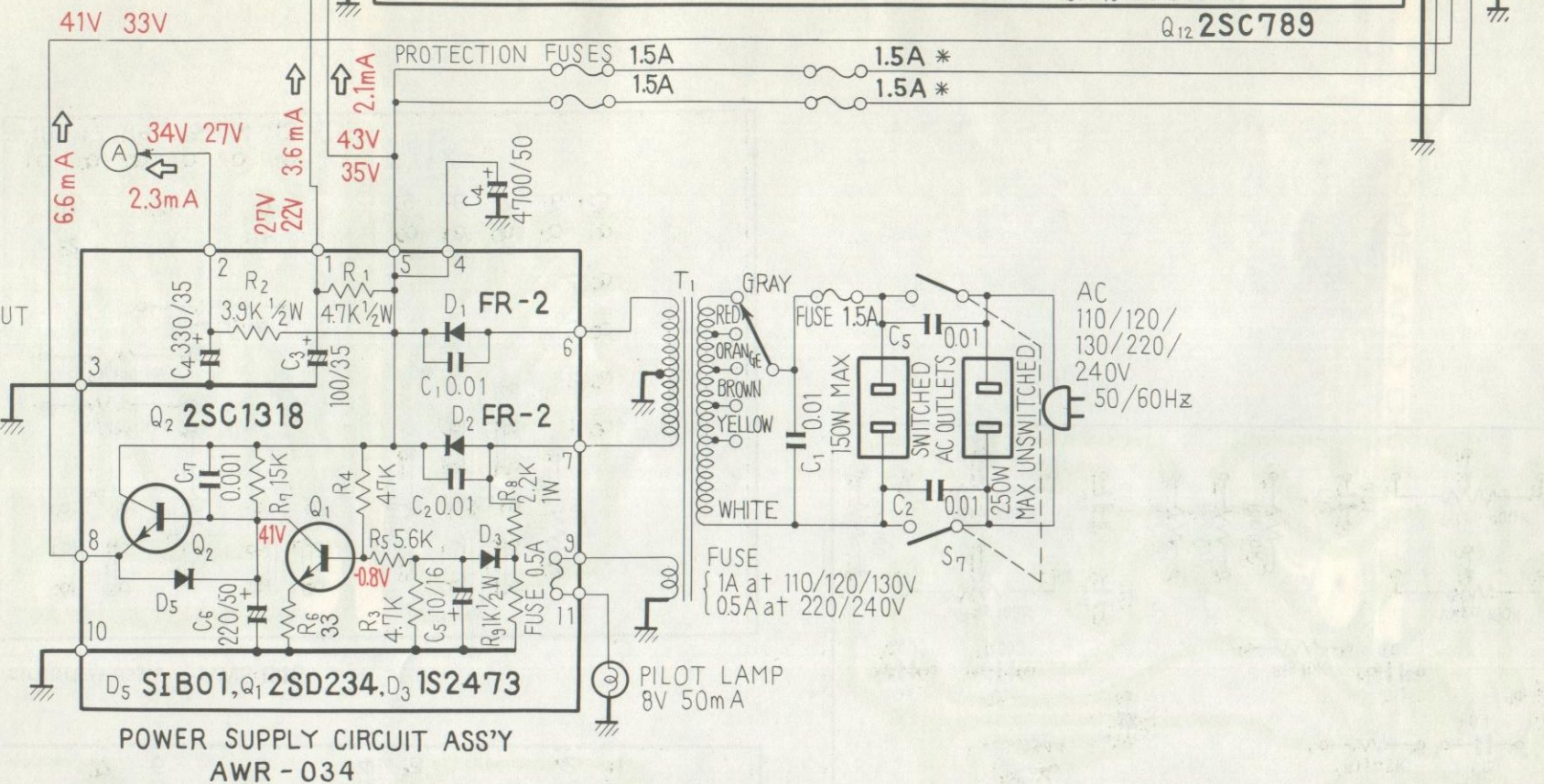
CONTROL AMP ASS'Y AWG-021



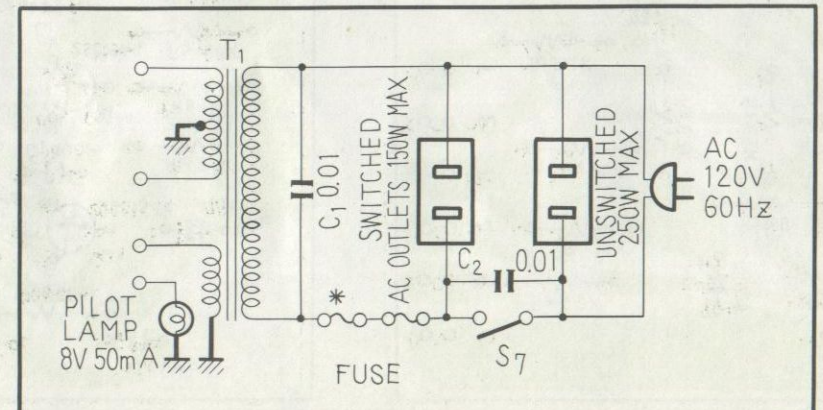
POWER AMP ASS'Y AWH-019



NOTES  
 V : DC VOLTAGE AT NO INPUT SIGNAL  
 ( V ) : DC VOLTAGE AT 16W/8Ω OUTPUT POWER  
 A : DC CURRENT AT NO INPUT SIGNAL  
 V : SIGNAL VOLTAGE NECESSARY FOR OBTAINING 16W/8Ω OUTPUT POWER (1kHz)



POWER SUPPLY CIRCUIT FOR 120V MODEL



SWITCHES

- S<sub>1</sub> FUNCTION (PHONO position)
  - (1) PHONO
  - (2) TUNER
  - (3) AUX 1
  - (4) AUX 2
- S<sub>2</sub> MODE (STEREO position)
  - (1) STEREO
  - (2) MONO
- S<sub>3</sub> TAPE MONITOR (OFF position)
  - (1) OFF
  - (2) ON

SWITCHES

- S<sub>4</sub> LOUDNESS (OFF position)
  - (1) OFF
  - (2) ON
- S<sub>5</sub> SPEAKER A (ON position)
  - (1) OFF
  - (2) ON
- S<sub>6</sub> SPEAKER B (ON position)
  - (1) OFF
  - (2) ON
- S<sub>7</sub> POWER (OFF position)
  - (1) OFF
  - (2) ON

\* Asterisked fuses are attached only to CSA approved version.

CAPACITORS  
 IN μF UNLESS OTHERWISE NOTED P=pF

RESISTORS  
 IN Ω, 1/4W, ±5% TOLERANCE UNLESS OTHERWISE NOTED K=KΩ, M=MΩ