

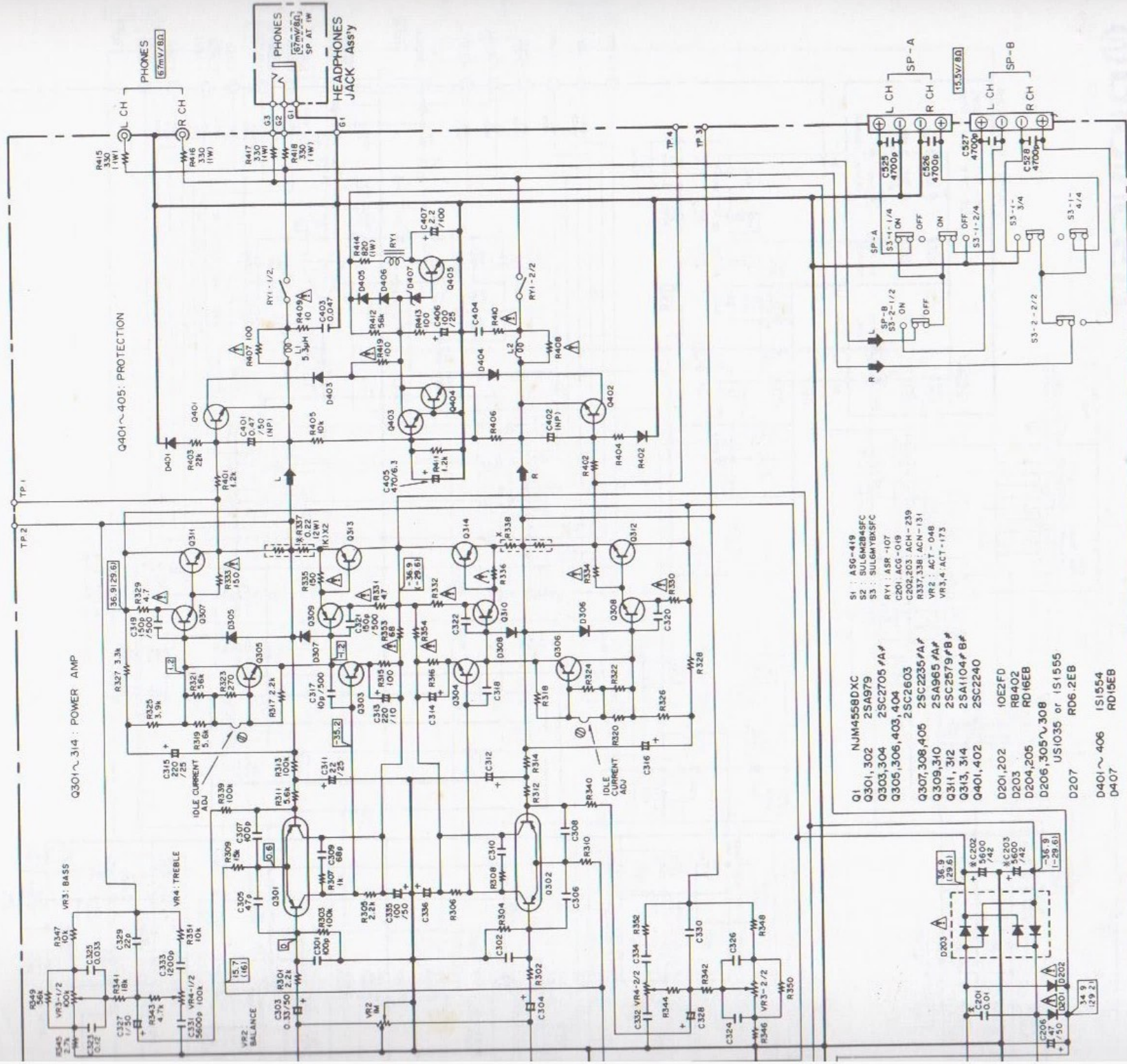
4. OTHERS:  
 → Signal route  
 ⊗ Adjusting point  
 The **A** mark found on the schematic is for the safety of the user. Be sure to use parts of the same type as marked capacitors.  
 This is the basic schematic. It may vary due to improvements.

1. RESISTORS  
 Indicated in Ω, kΩ, MΩ, 1/2W, 1/4W, 1/8W, 15% tolerance unless otherwise noted. k: kΩ; M: MΩ; F: 1%; G: 2%; K: 10%; IM: 20% tolerance

2. CAPACITORS:  
 Indicated in capacity (μF)/voltage (V) unless otherwise noted. p: pF. Indication without voltage is 50V except electrolytic capacitor.

3. VOLTAGE CURRENT:  
 V: Signal voltage at ( ) 30 W, 8Ω output (1kHz)  
 V: DC voltage (V) at no input signal  
 Value in ( ) is DC voltage at rated power.  
 ← mA: DC current at no input signal





4. OTHERS:

⚡ : Signal route.  
 ⚙ : Adjusting point.  
 The  $\Delta$  mark found on some component parts indicates the importance of the safety factor of the part. Therefore, when replacing, be sure to use parts of identical designation.  
 \* : marked capacitors and resistors have parts numbers.

This is the basic schematic diagram, but the actual circuit may vary due to improvements in design.

SWITCHES:

- AF Assy ON - OFF
- S1-1 FUNCTION (PHONO) ON - OFF
- S1-2 FUNCTION (TUNER) ON - OFF
- S1-3 FUNCTION (CD/AUX) ON - OFF
- S1-4 FUNCTION (TAPE 1) ON - OFF
- S2-1 ADAPTOR / TAPE 2 ON - OFF
- S2-2 LOUDNESS ON - OFF
- S3-1 SPEAKERS A ON - OFF
- S3-2 SPEAKERS B ON - OFF
- OUTSIDE OF PC BOARD ON - OFF
- S1 POWER ON - OFF

The underlined indicates the switch position.

- Q1 NJM4558DXC
- Q301,302 2SA979
- Q303,304 2SC2705 F#
- Q305,306,403,404 2SC2603
- Q307,308,405 2SC2235 F#
- Q309,310 2SA965 F#
- Q311,312 2SC2579 B#
- Q313,314 2SA1104 F#
- Q401,402 2SC2240
- D201,202 10E2FD
- D203,204 RB402
- D204,205 RD16EB
- D206,305,308 US1035 or IS1555
- D207 RD6.2EB
- D401 ~ 406 IS1554
- D407 RD15EB

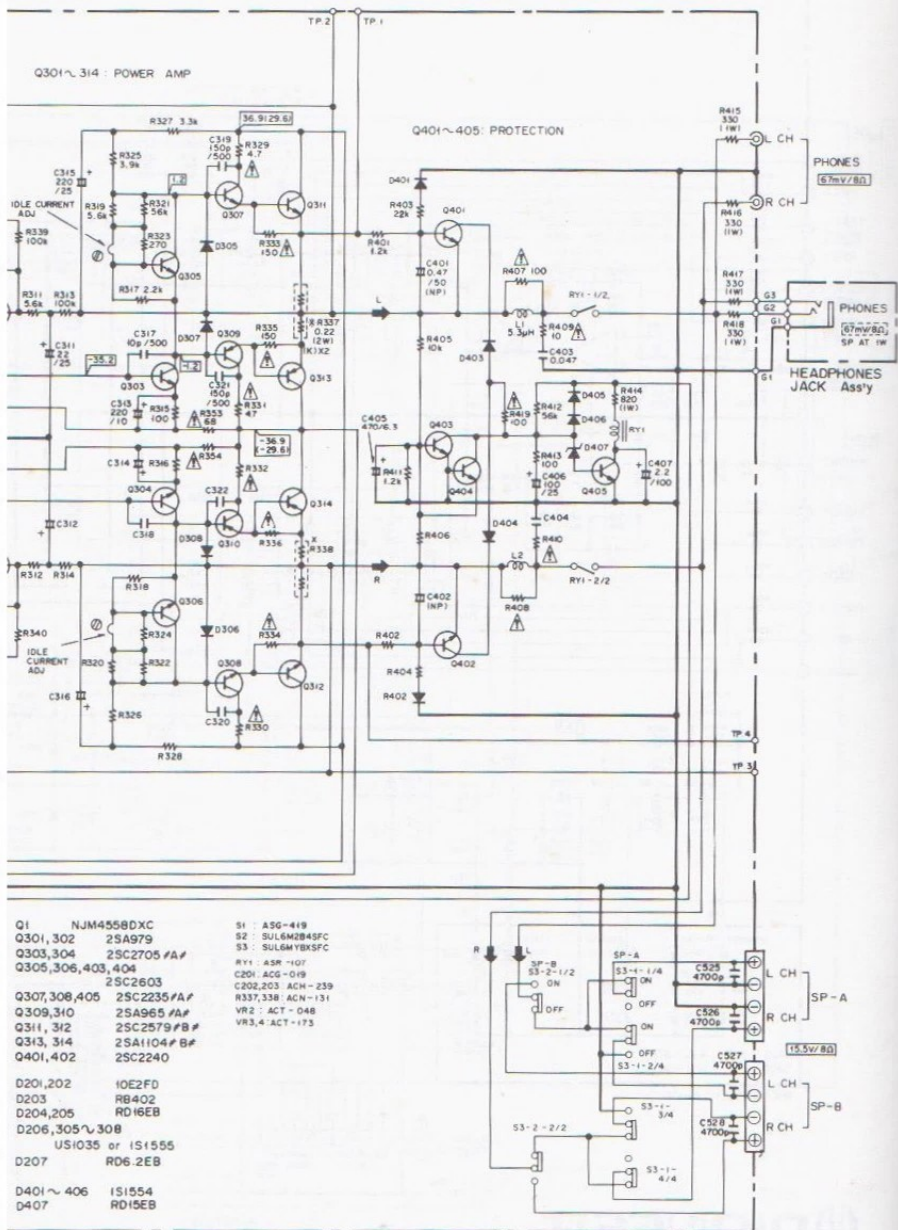
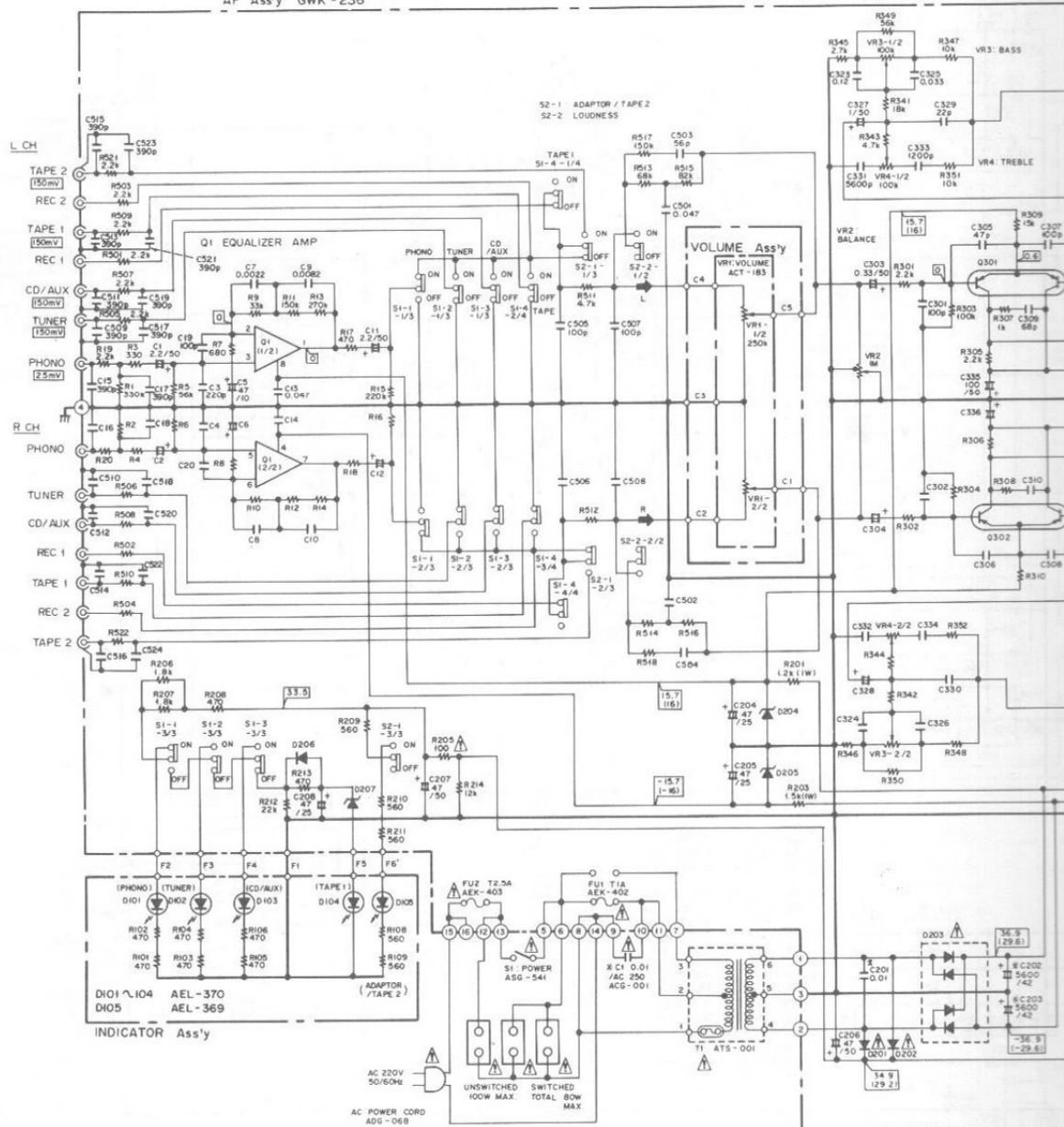
- S1 : A56-419
- S2 : SUL6W248FC
- S3 : SUL6W1848FC
- RY1 : ASR -107
- C201, ACQ -019
- C202,203 ACN -239
- R337,338 ACN -131
- VR2 : ACT -048
- VR3,4 ACT -173

otherwise noted k: k $\Omega$ .  
 : 20% tolerance

otherwise noted electrolytic capac

311) output (1kHz)

ver.



**Q1** NJM4558DC  
**Q301,302** 2SA979  
**Q303,304** 2SC2705 #A#  
**Q305,306,403,404** 2SC2603  
**Q307,308,405** 2SC2235 #A#  
**Q309,310** 2SA965 #A#  
**Q311,312** 2SC2579 #B#  
**Q313,314** 2SA1104 #B#  
**Q401,402** 2SC2240

**D201,202** 10E2FD  
**D203** RB402  
**D204,205** RD16EB  
**D206,305~308** US1035 or IS1555  
**D207** R06.2EB  
**D401~406** IS1554  
**D407** RD15EB

**S1** ASG-419  
**S2** SULL6M2845FC  
**S3** SULL6M48X5FC  
**RV1** ASR-10F  
**C201** AGC-019  
**C202,203** ACH-239  
**R337,338** ACN-131  
**VR2** ACT-048  
**VR3,4** ACT-173



- RESISTORS:**  
Indicated in Ω, %W, %W, %W, 15% tolerance unless otherwise noted k; kil; M; Milli; (F); 1%; (G); ±2%; (K); ±10%; (M); ±20% tolerance
- CAPACITORS:**  
Indicated in capacity (μF)/voltage (V) unless otherwise noted p; pF. Indication without voltage is 50V except electrolytic capacitor.
- VOLTAGE CURRENT:**  
Signal voltage at ( 30 W+ 30 W, 8Ω) output (1kHz)  
DC voltage (V) at no input signal  
Value in ( ) is DC voltage at rated power.  
↔mA: DC current at no input signal

- OTHERS:**  
    - Signal route
    - Adjusting point
    - The mark found: importance of the safety! be sure to use parts of a marked capacitors
- This is the basic schematic vary due to improve

- SWITCHES:**  
 AF Ass'y
- |                        |          |
|------------------------|----------|
| S1-1 FUNCTION (PHONO)  | ON - OFF |
| S1-2 FUNCTION (TUNER)  | ON - OFF |
| S1-3 FUNCTION (CD/AUX) | ON - OFF |
| S1-4 FUNCTION (TAPE 1) | ON - OFF |
| S2-1 ADAPTOR / TAPE 2  | ON - OFF |
| S2-2 LOUDNESS          | ON - OFF |
| S3-1 SPEAKERS A        | ON - OFF |
| S3-2 SPEAKERS B        | ON - OFF |
- OUTSIDE OF PC BOARD  
 S1 POWER ON - OFF
- The underlined indicates the switch position.