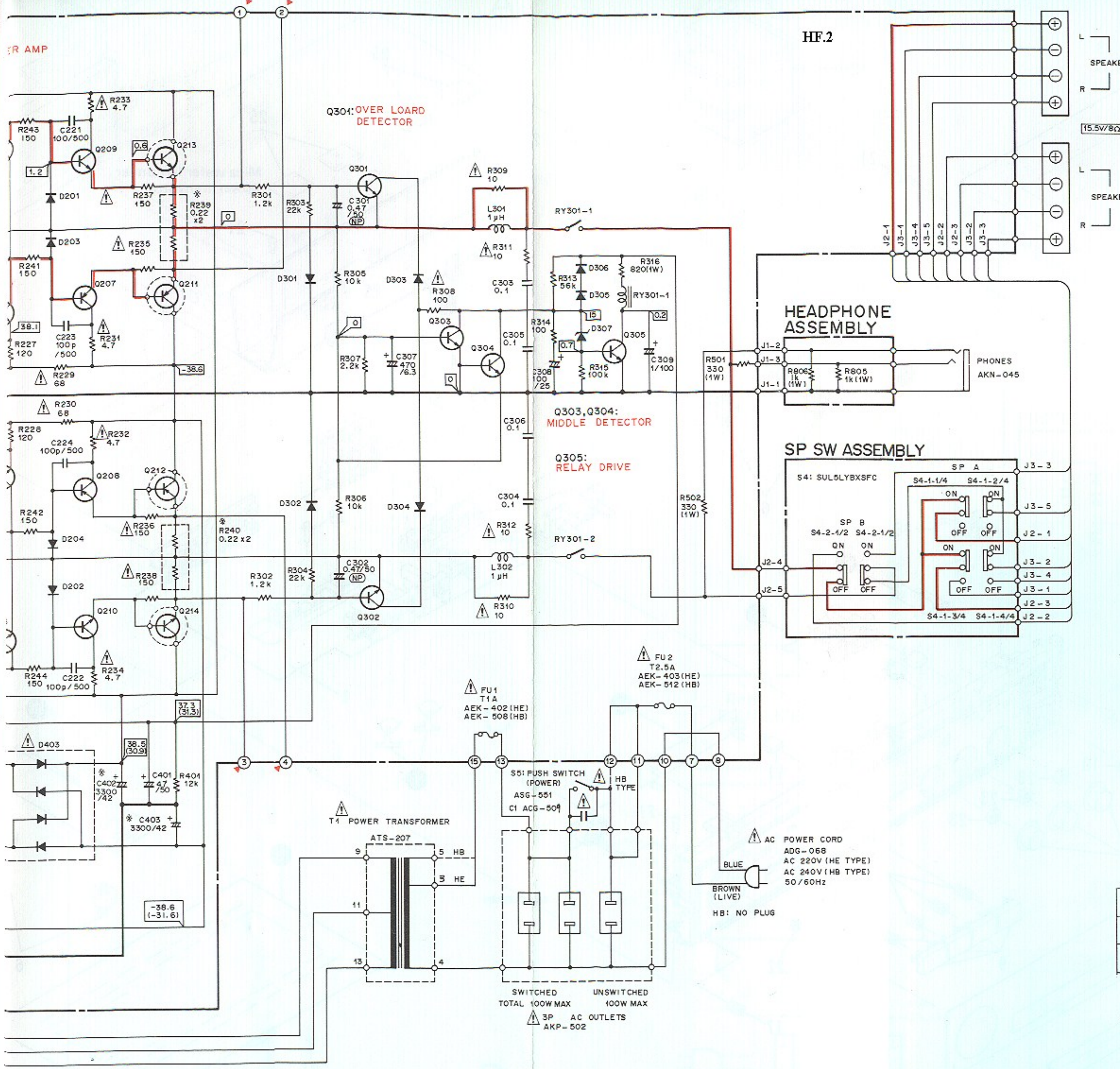


R AMP

HF.2



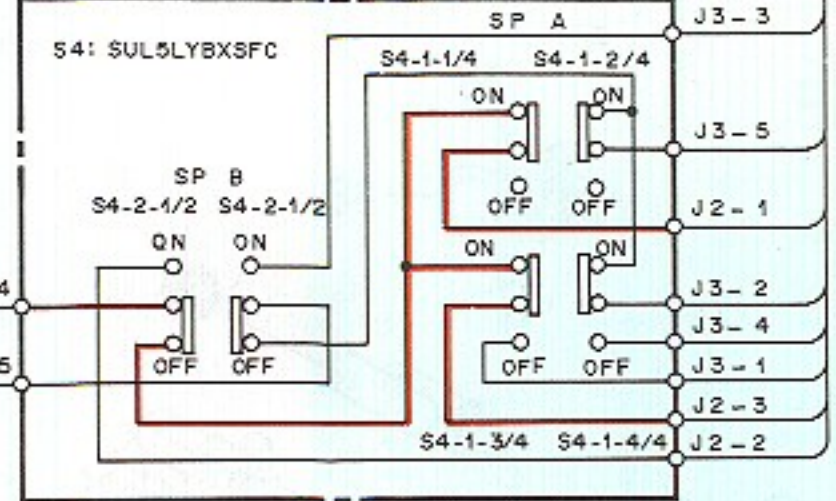
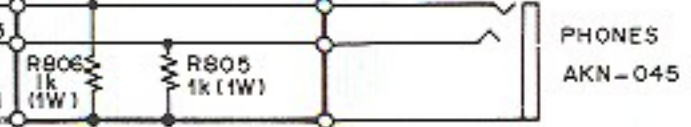
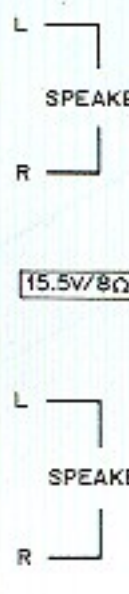
Q301: OVER LOAD DETECTOR

Q303, Q304: MIDDLE DETECTOR

Q305: RELAY DRIVE

HEADPHONE ASSEMBLY

SP SW ASSEMBLY



FU1
T1A
AEK-402 (HE)
AEK-508 (HB)

FU2
T2.5A
AEK-403 (HE)
AEK-512 (HB)

T1 POWER TRANSFORMER
ATS-207

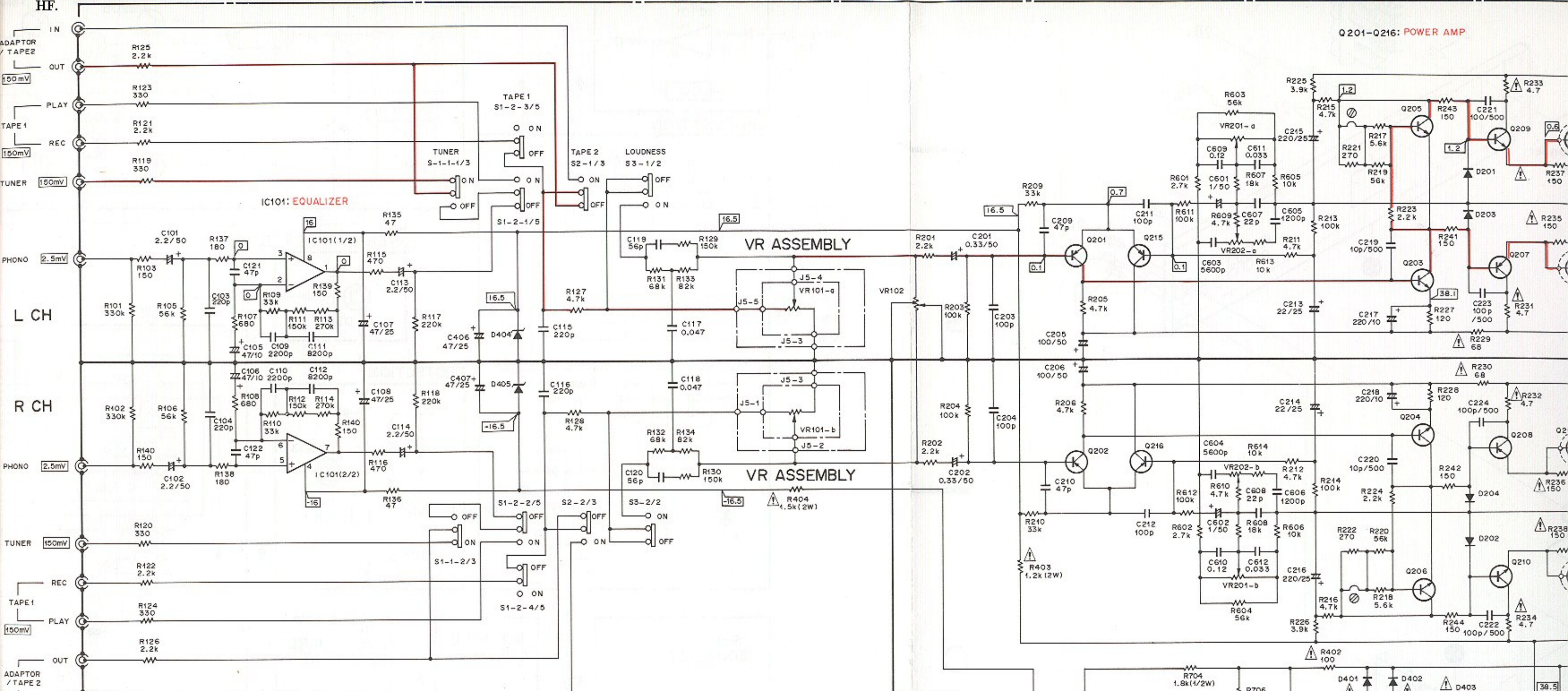
S5: PUSH SWITCH (POWER)
ASG-551
C1 ACG-509

AC POWER CORD
ADG-068
AC 220V (HE TYPE)
AC 240V (HB TYPE)
50/60Hz

BLUE
BROWN (LIVE)
HB: NO PLUG

SWITCHED UNSWITCHED
TOTAL 100W MAX 100W MAX
3P AC OUTLETS
AKP-502

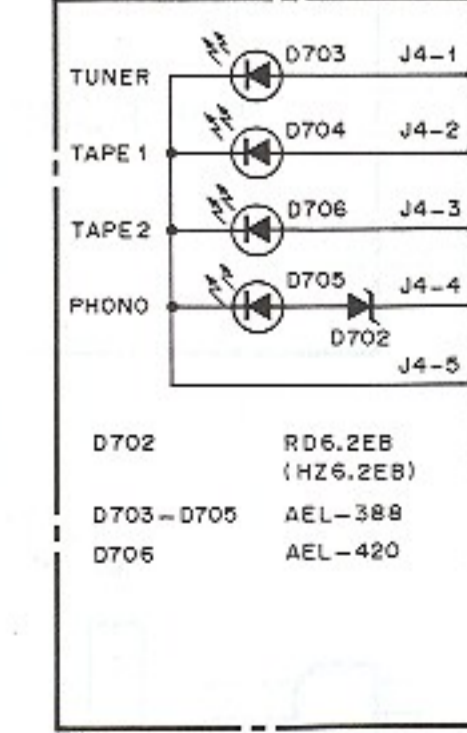
AF ASSEMBLY (GWK-254)



Q201-Q216: POWER AMP

IC101	NJM4558DCX	D201-D204, D301-D306, D701	1SS133
Q201, Q202, Q215, Q216	2SA1115 (2SA1048) (2SA933S)	D307	RD15EB (HD15EB)
Q203, Q204	2SC1845	D401, D402	11E2 (S5566)
Q205, Q206, Q303, Q304	2SC2603 (2SC1740S) (2SC2458)	D403, D405	RB402 RD16EB (HZ16EB)
Q207, Q208	2SA965(A)	R239, R240	ACN-131
Q209, Q210	2SC2235(A)	VR102	ACT-036
Q211, Q212	2SA1102(B)	VR201, VR202	ACT-156
Q213, Q214	2SC2577(B)	C404	ACG-019
Q301, Q302	2SC2240 (2SC1845) (2SC2389)	C402, C403	ACH-249
Q305	2SC3332		
S 1	SUL5M6B4B0LFC	L301, L302	ATH-053
S 2	SULM4SFC	RY301	ASR-111
S 3	SULM25F		

LED ASSEMBLY



D702	RD6.2EB (HZ6.2EB)
D703-D705	AEL-388
D706	AEL-420