

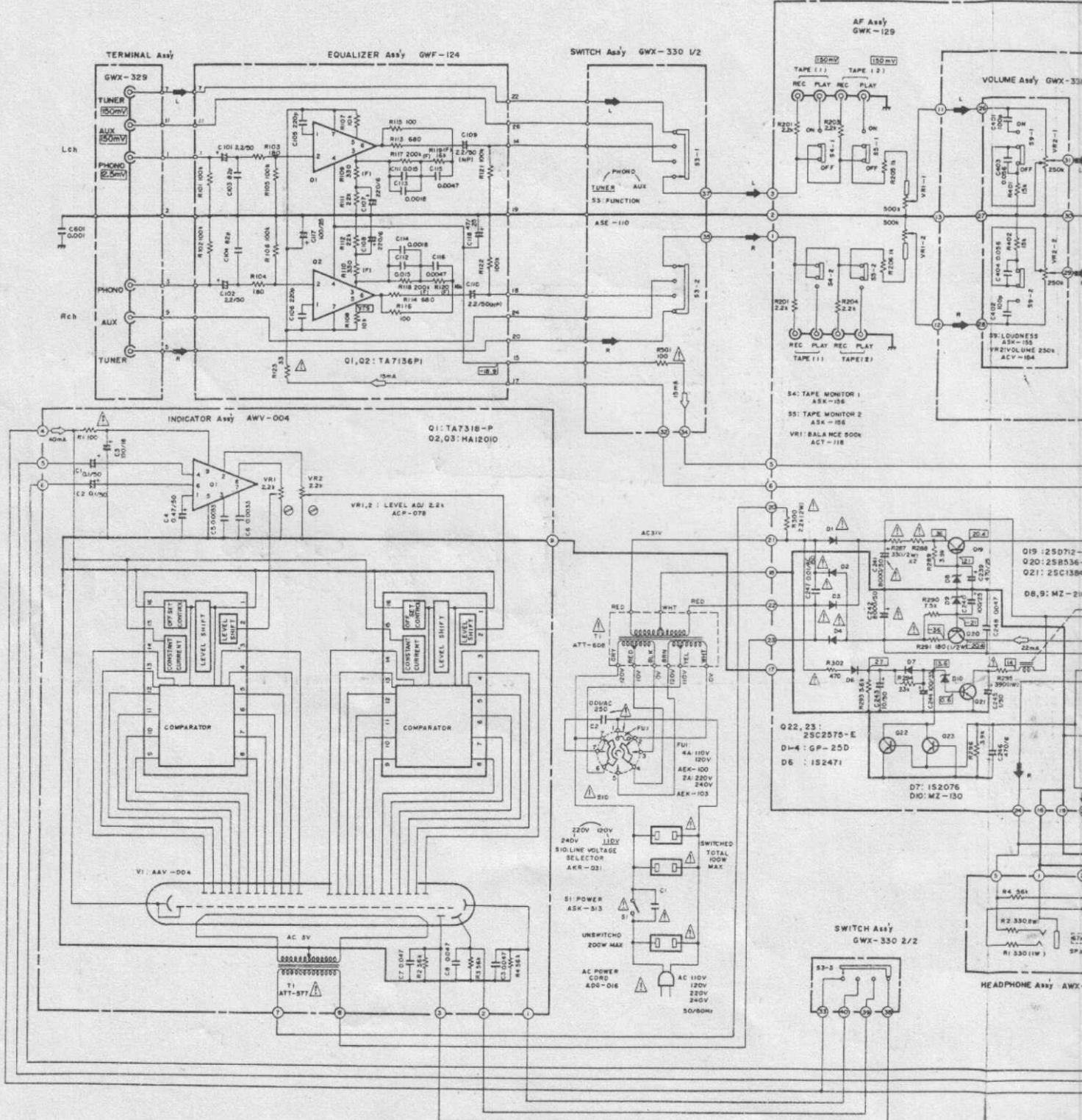
Schematic Diagram For S and S/G Types

A

B

C

D



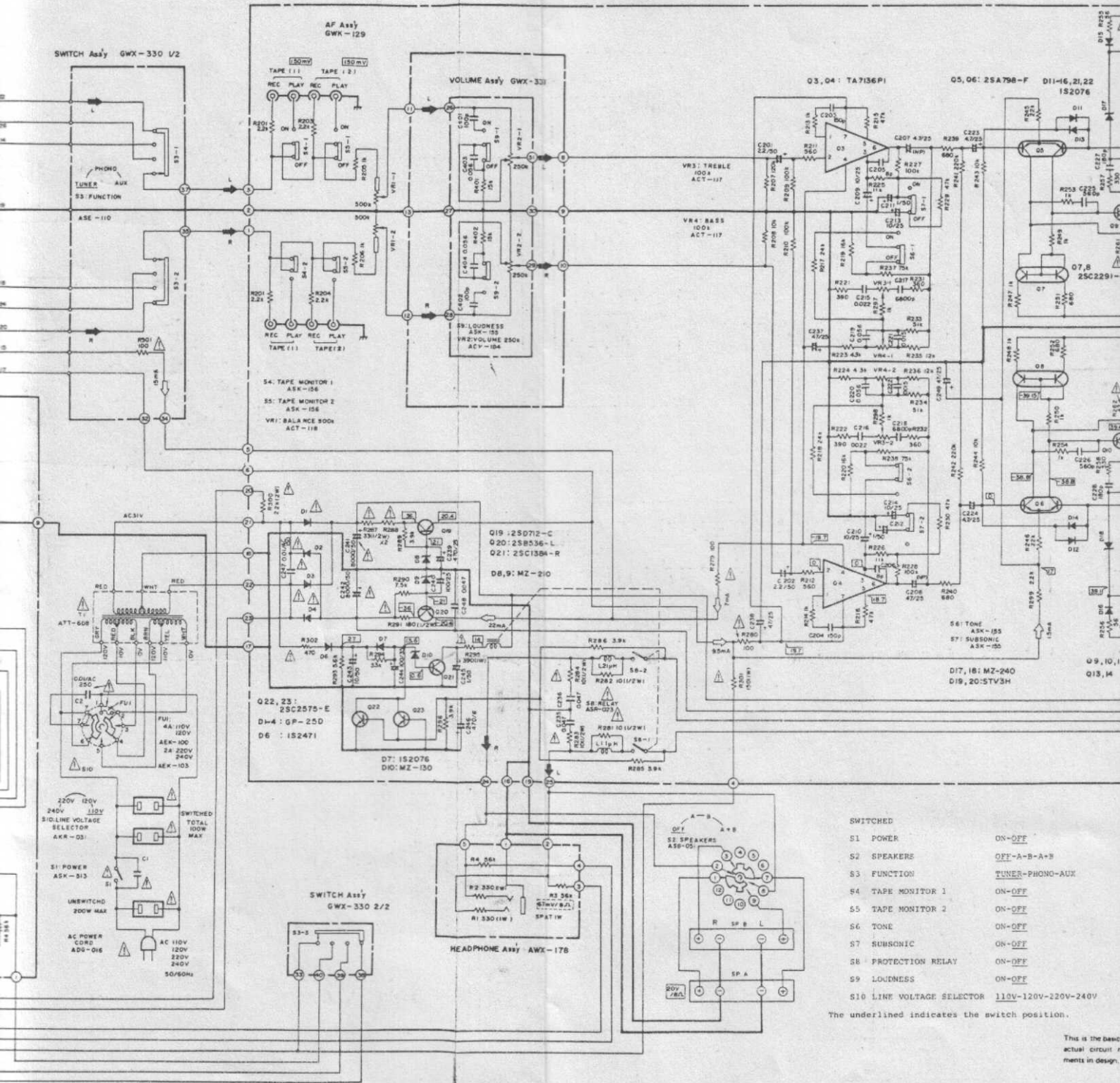
SA-608/S, S/G

3

4

5

NOTE:
The indicated
only. Other
are listed in t



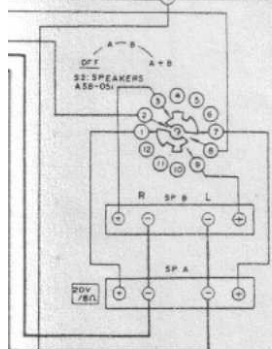
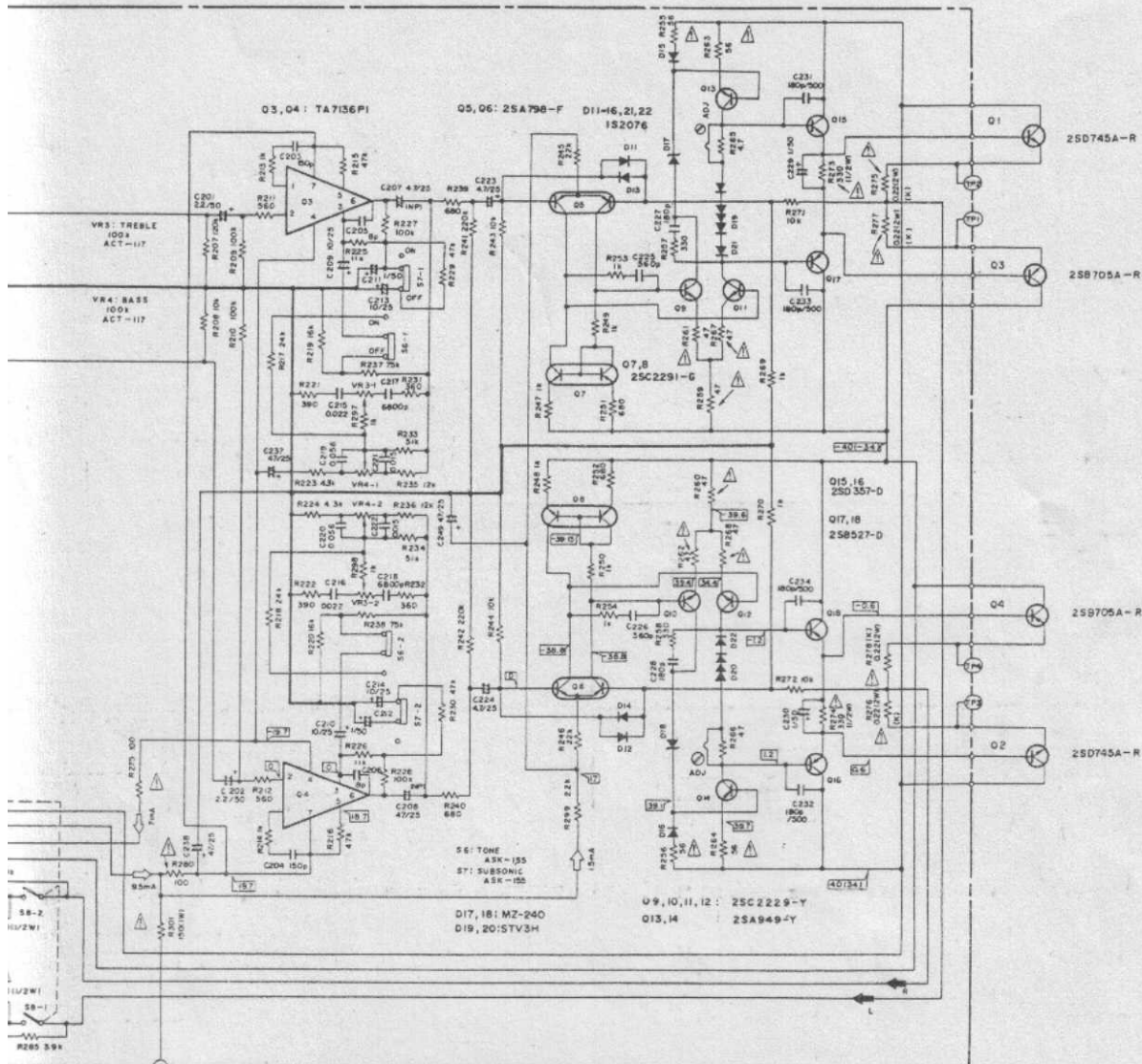
3

4

5

NOTE:

The indicated semiconductors are representative ones only. Other alternative semiconductors may be used and are listed in the parts list.



SWITCHED

S1 POWER	ON-OFF
S2 SPEAKERS	OFF-A-B-A+B
S3 FUNCTION	TUNER-PHONO-AUX
S4 TAPE MONITOR 1	ON-OFF
S5 TAPE MONITOR 2	ON-OFF
S6 TONE	ON-OFF
S7 SUBSONIC	ON-OFF
S8 PROTECTION RELAY	ON-OFF
S9 LOUDNESS	ON-OFF
S10 LINE VOLTAGE SELECTOR	110V-120V-220V-240V

The underlined indicates the switch position.

1. RESISTOR:
Indicated in Ω , 1/4W, $\pm 5\%$ tolerance unless otherwise noted k, M, μ , M, M, (F); $\pm 1\%$, (G); $\pm 2\%$, (K); $\pm 10\%$ tolerance.
2. CAPACITORS:
Indicated in capacity (μ F)/voltage (V) unless otherwise noted p, nF
Indication without voltage is 50V except electrolytic capacitor.
3. VOLTAGE, CURRENT:
 ∇ : Signal voltage at 50W + 50W 8 Ω output
 \square : DC voltage (V) at no input signal
Value in | | is DC voltage at rated power
 ∇ mA: DC current at no input signal
4. OTHERS:
 \rightarrow : Signal route
 \odot : Adjusting point.
The Δ mark found on some component parts indicates the importance of the safety factor of the part. Therefore, when replacing, be sure to use parts of identical designation.

This is the basic schematic diagram, but the actual circuit may vary due to improvements in design.