



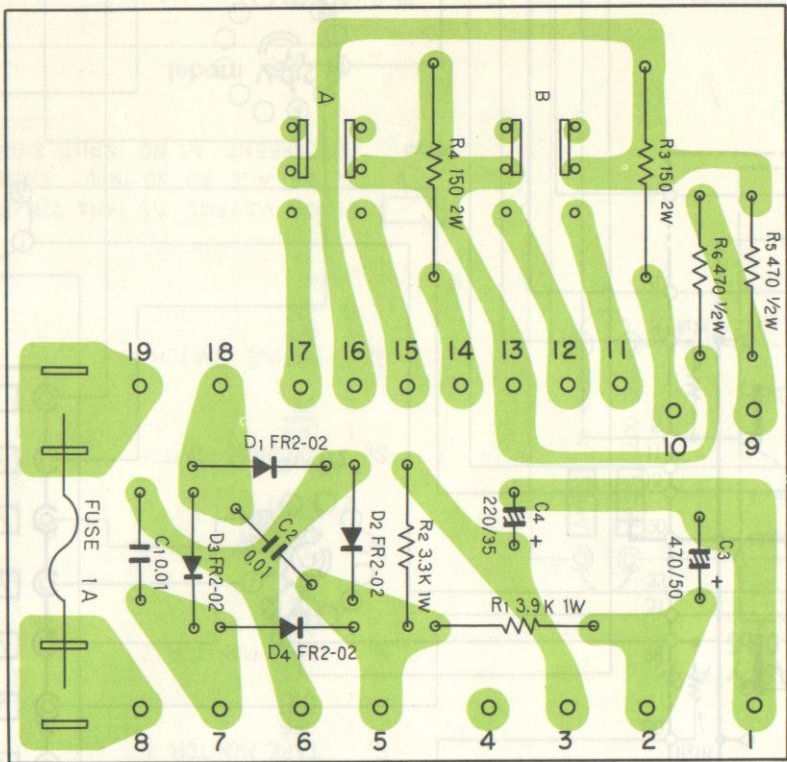
STEREO AMPLIFIER

**SA-62000**

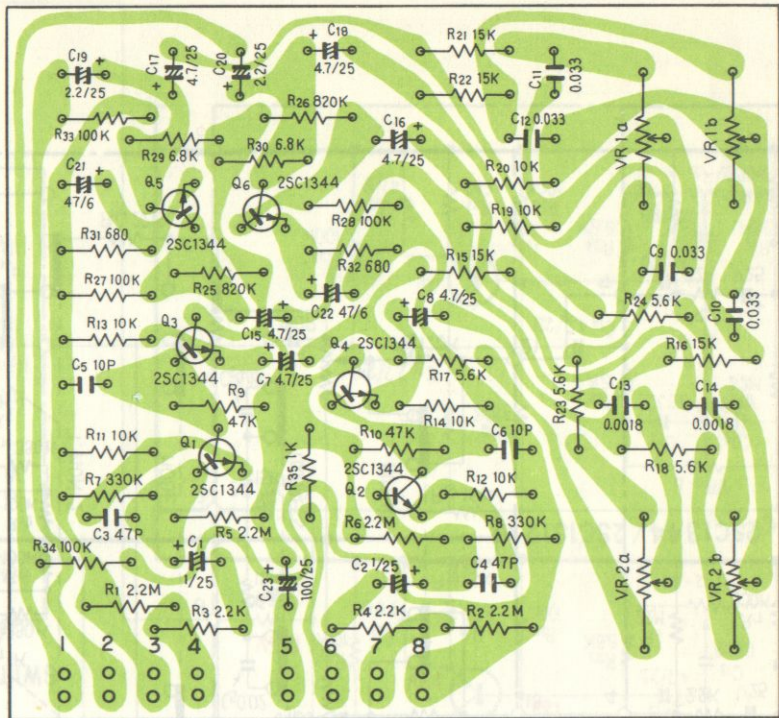
EV NR

2

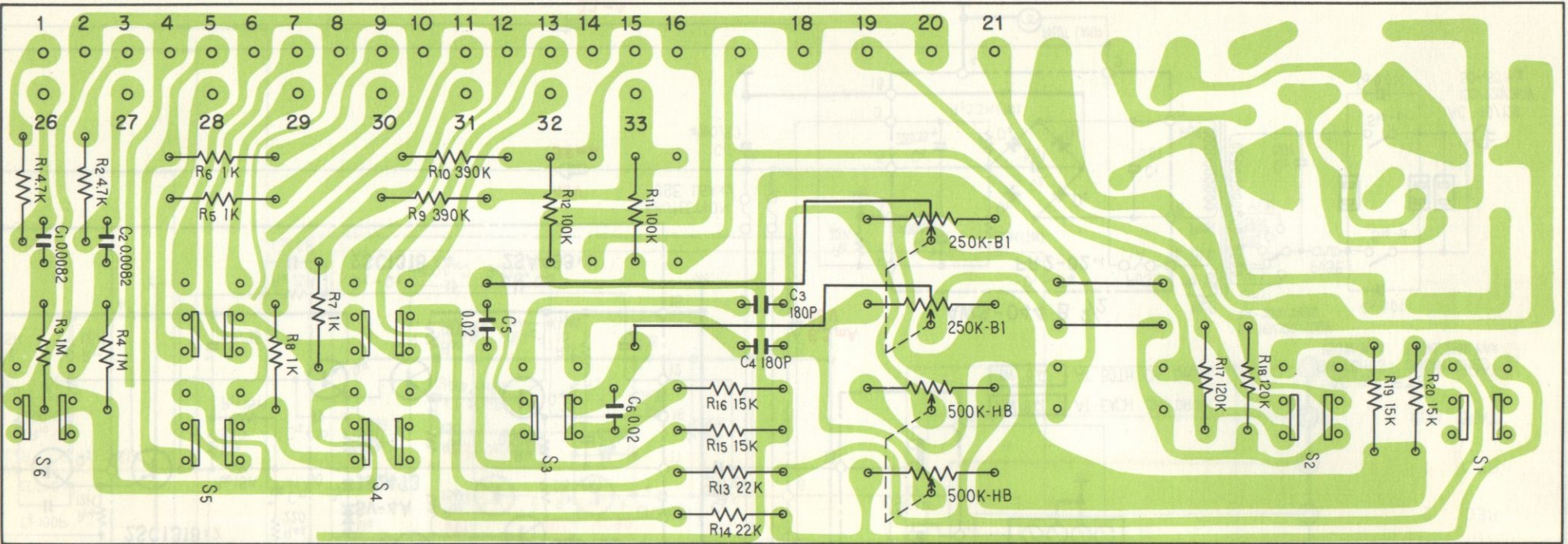
# Switch circuit ass'y B AWS-044



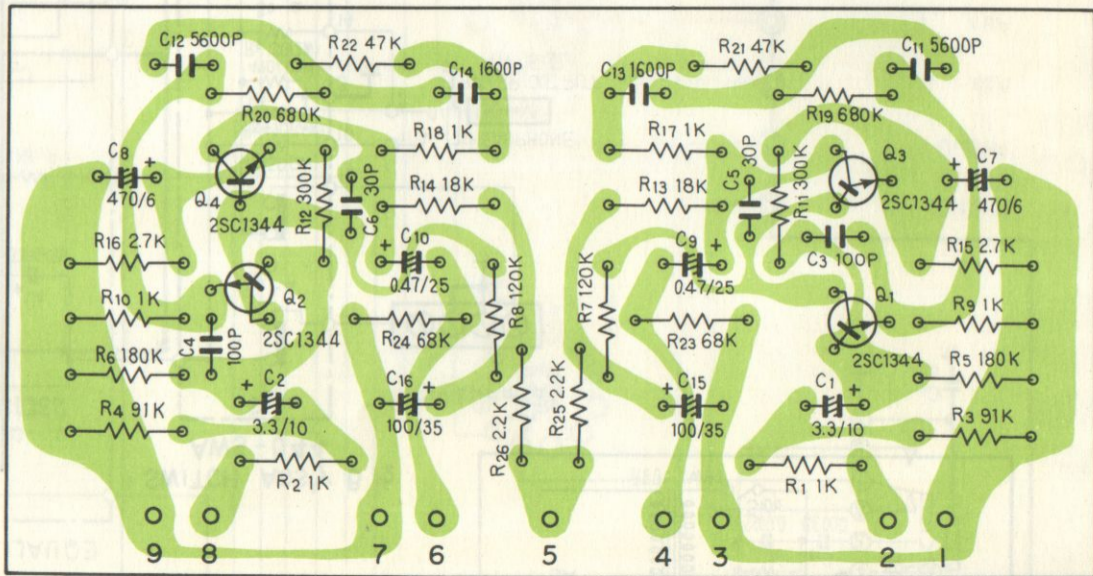
# Control amp ass'y AWG-020



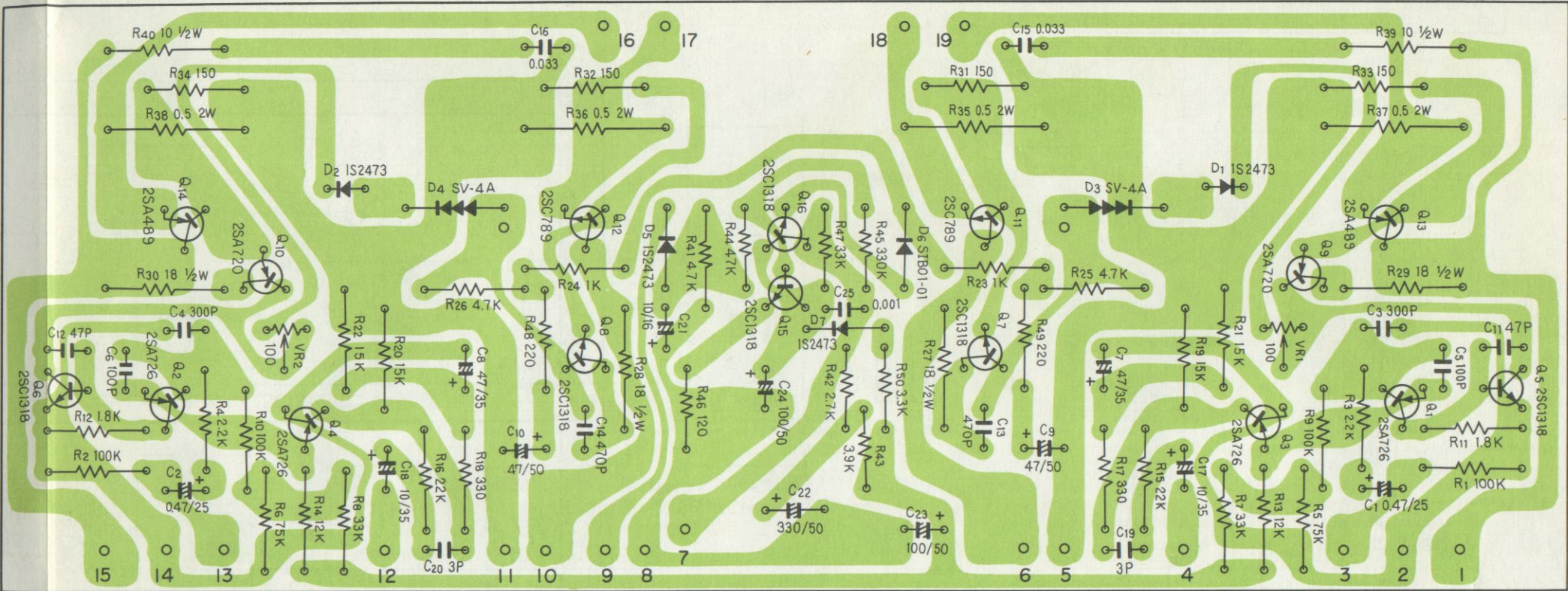
Switch circuit ass'y A AWS-045



# Equalizer amp ass'y AWF-008



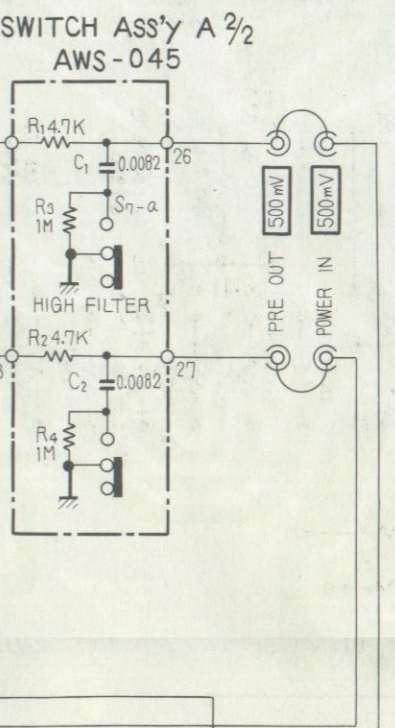
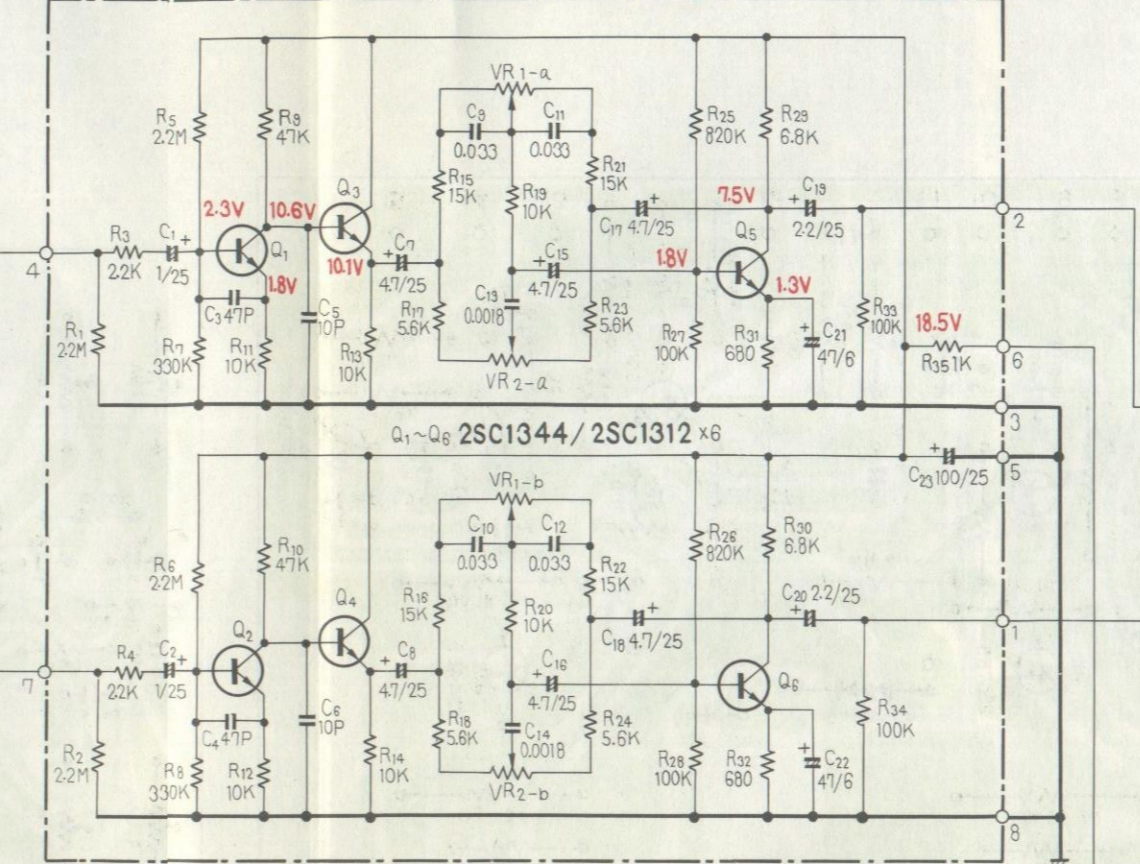
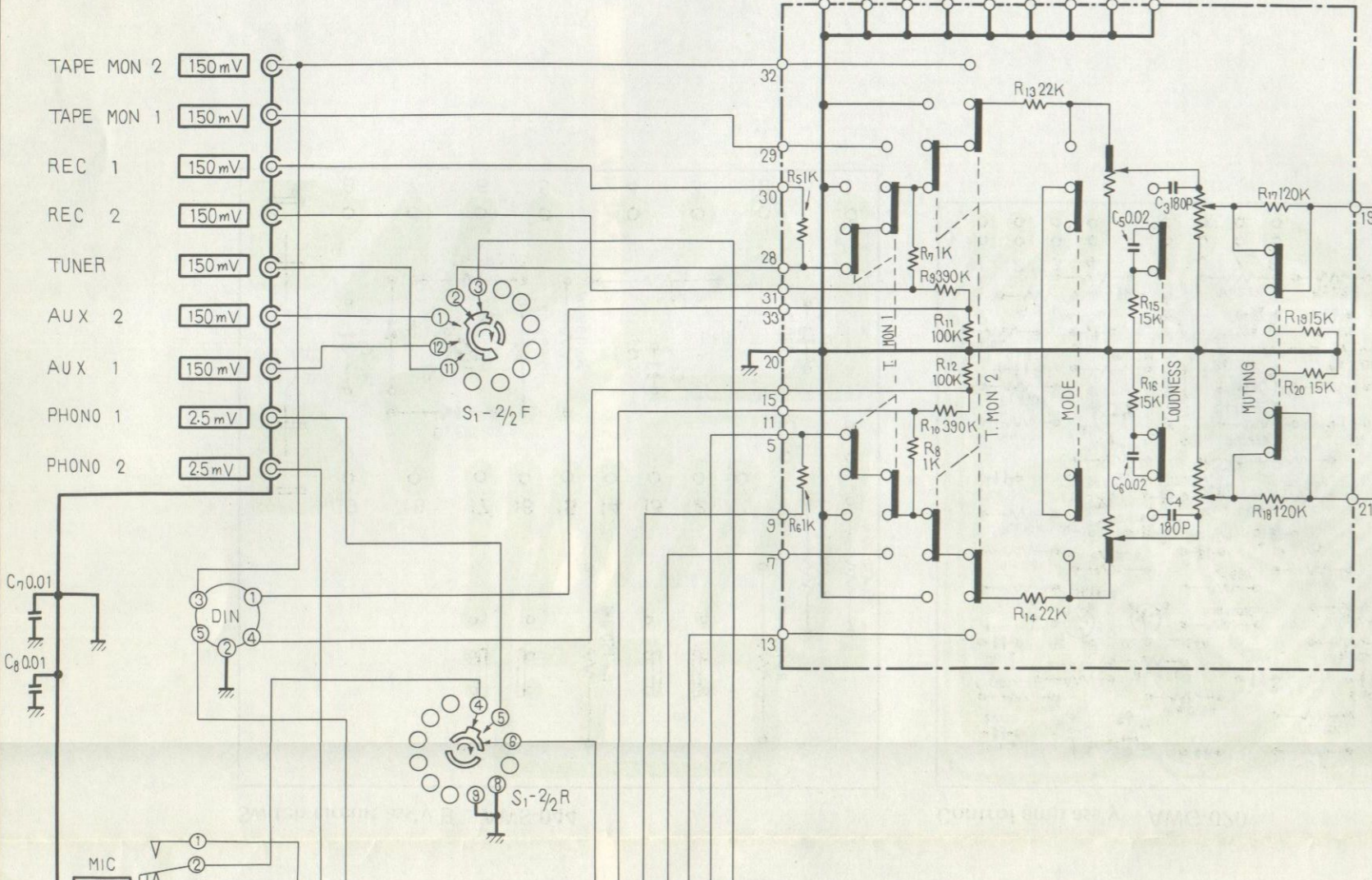
# Power amp ass'y AWH-025



SWITCH ASS'y A 1/2 AWS-045

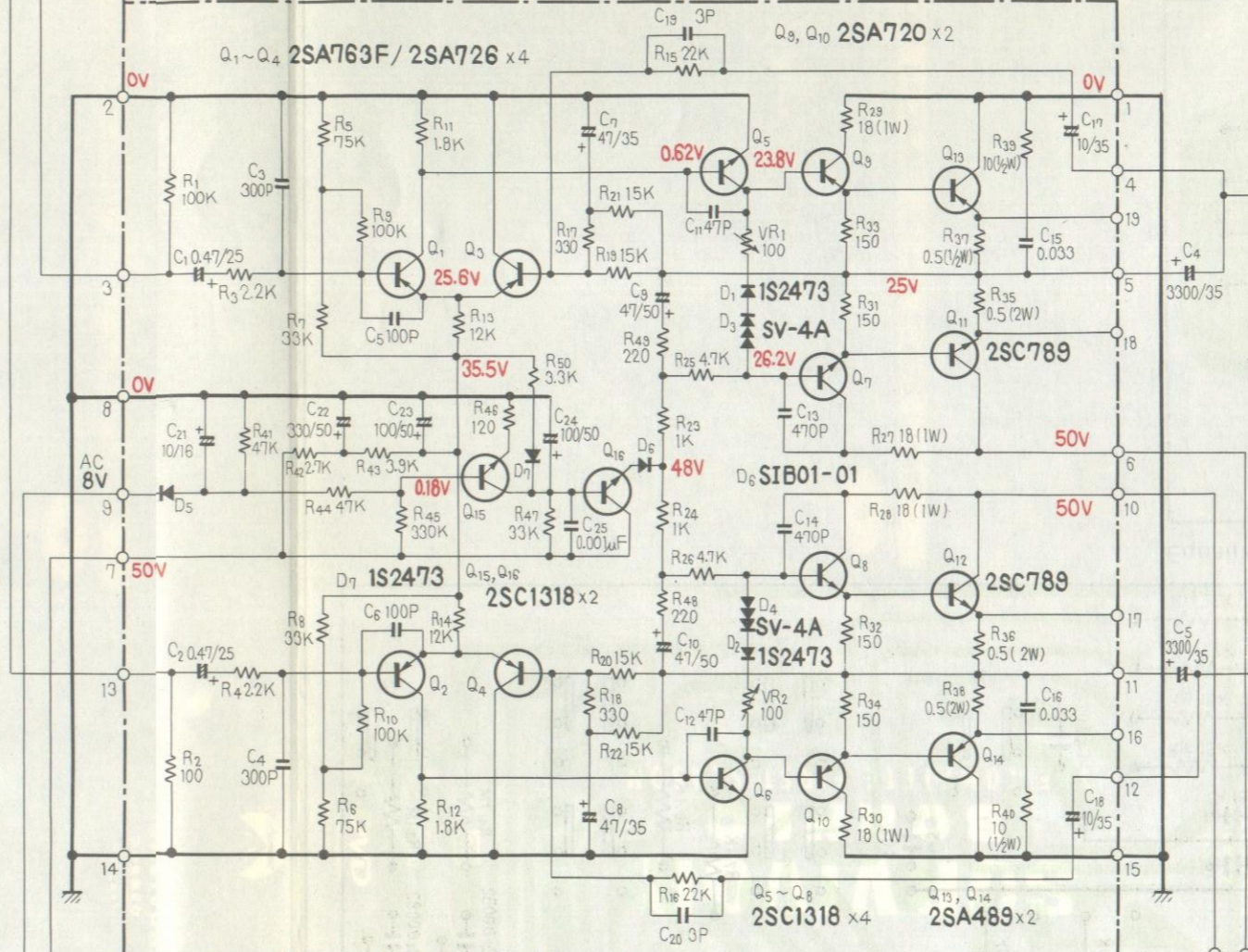
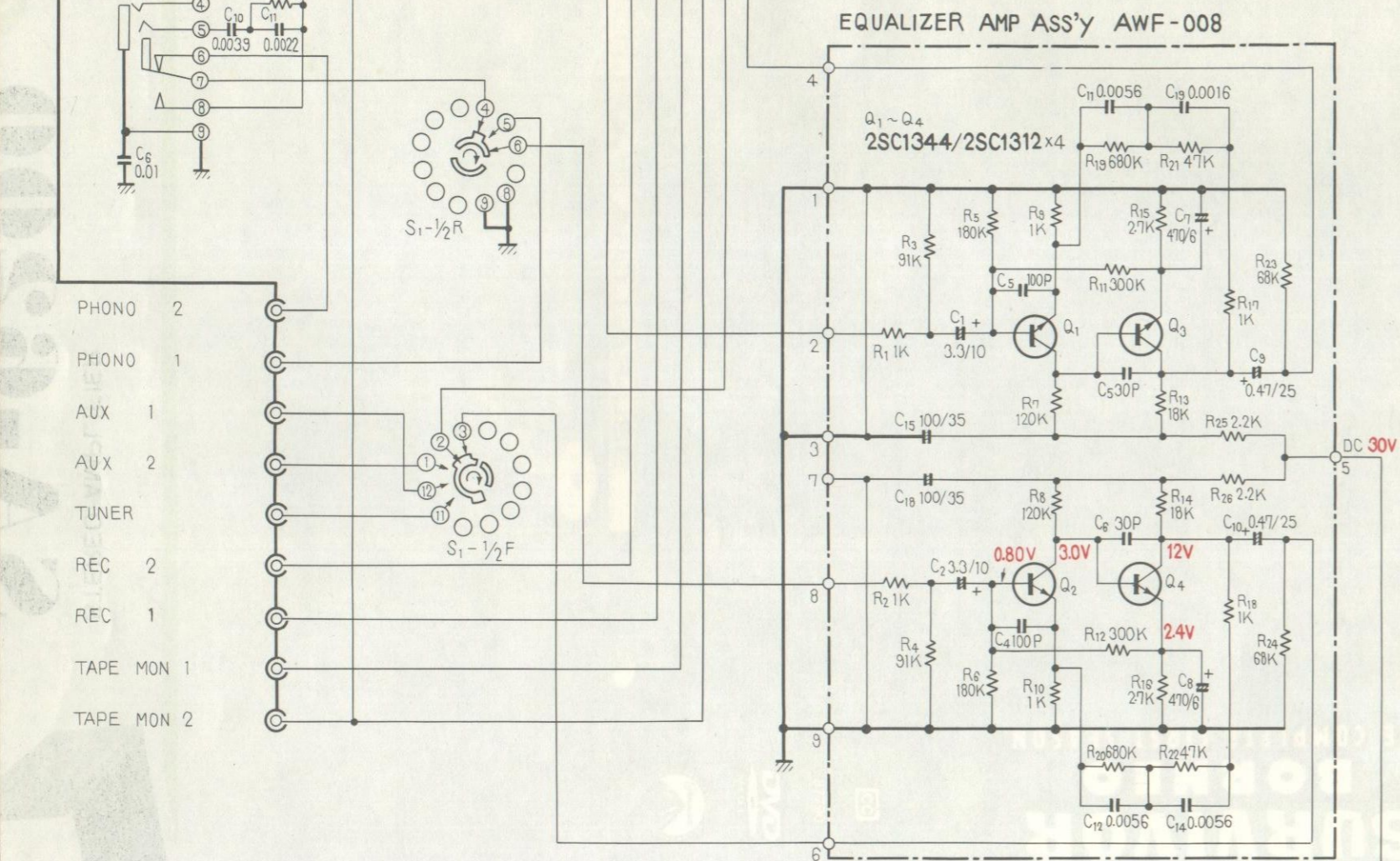
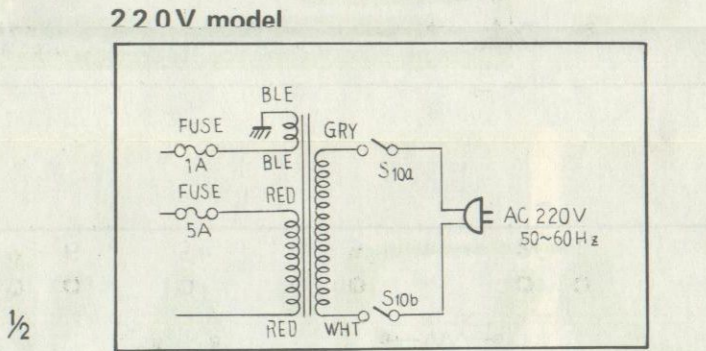
CONTROL AMP ASS'y AWG-020

- SWITCHES
- |    |                 |     |                       |
|----|-----------------|-----|-----------------------|
| S1 | SELECTOR        | S7  | HIGH CUT FILTER       |
| 1  | PHONO 2 / MIC   | 1   | OFF                   |
| 2  | PHONO 1         | 2   | ON                    |
| 3  | TUNER           | S8  | SPEAKERS A            |
| 4  | AUX 1           | 1   | ON                    |
| 5  | AUX 2           | 2   | OFF                   |
| S2 | TAPE MONITOR 1  | S9  | SPEAKERS B            |
| 1  | OFF             | 1   | ON                    |
| 2  | ON              | 2   | OFF                   |
| S3 | TAPE MONITOR 2  | S10 | POWER SWITCH          |
| 1  | OFF             | 1   | OFF                   |
| 2  | ON              | 2   | ON                    |
| S4 | MODE SWITCH     | S11 | LINE VOLTAGE SELECTOR |
| 1  | STEREO          | 1   | 110V                  |
| 2  | MONO            | 2   | 120V                  |
| S5 | LOUDNESS SWITCH | 3   | 130V                  |
| 1  | OFF             | 4   | 220V                  |
| 2  | ON              | 5   | 240V                  |
| S6 | MUTING SWITCH   |     |                       |
| 1  | OFF             |     |                       |
| 2  | ON              |     |                       |

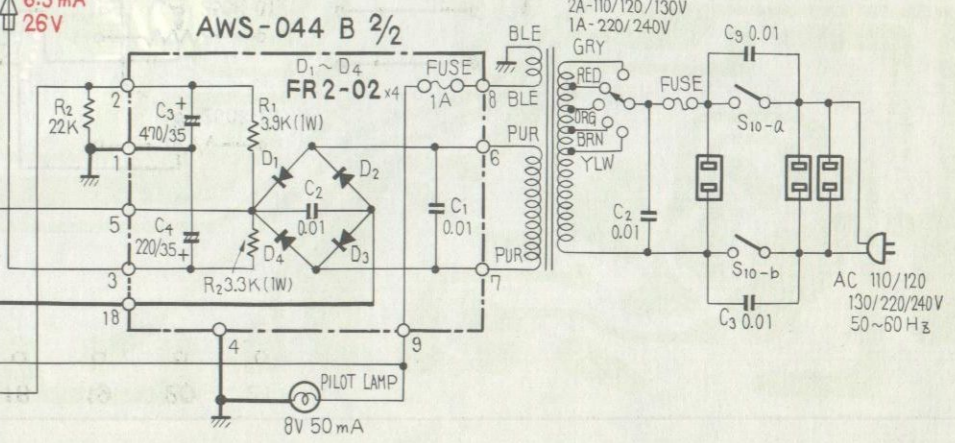
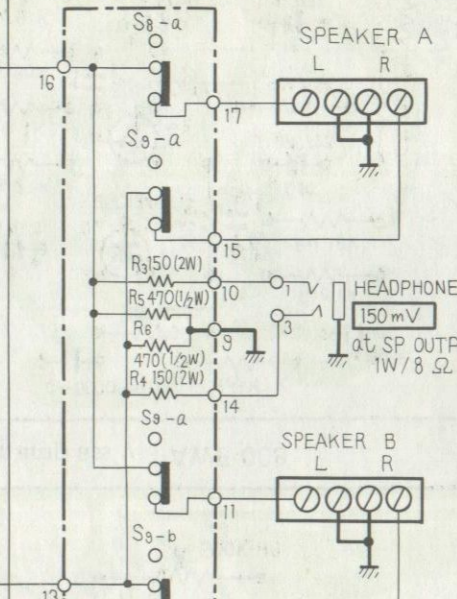


EQUALIZER AMP ASS'y AWF-008

POWER AMP ASS'y AWH-025



SWITCH ASS'y B 1/2 AWS-044



- PHONO 2
- PHONO 1
- AUX 1
- AUX 2
- TUNER
- REC 2
- REC 1
- TAPE MON 1
- TAPE MON 2

46V  
96mA

2.3 mA

22W/8Ω AT EACH CH. DRI.  
18W/8Ω AT BOTH CH. DRI.

AC OUTLETS  
SWITCHES UNSWITCHES  
150W MAX TOTAL 250W MAX