

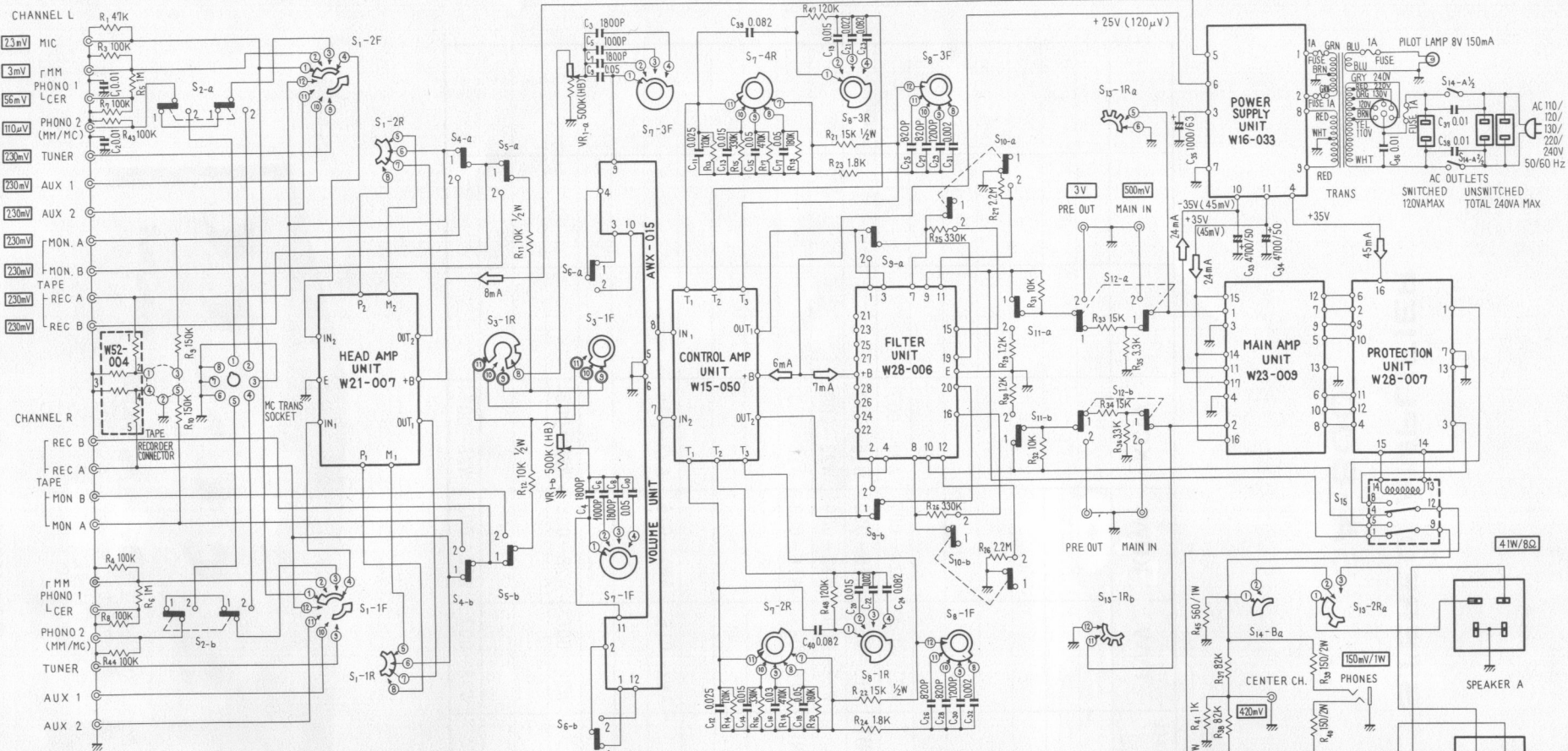
STEREO AMPLIFIER

SA-800

ROUND LABEL UNIT	FWW	KUW	KCW			
FM FRONT END						
FM IF UNIT						
MPX UNIT						
AM TUNER UNIT						
MUTING UNIT						
HEAD AMP UNIT	W21-007	W21-007	W21-007			
CONTROL AMP UNIT	W15-050	W15-050	W15-050			
MAIN AMP UNIT	W23-009	W23-009	W23-009			
POWER SUPPLY UNIT	W16-033	W16-033	W16-033			
SWITCH UNIT						
SWITCH UNIT						
SWITCH UNIT						
VR UNIT	AWX-015	AWX-015	AWX-015			
CONTROL UNIT						
MIC AMP UNIT						
FILTER UNIT	W28-006	W28-006	W28-006			
REVERBE UNIT						
PROTECTION UNIT	W28-007	W28-007	W28-007			



SA-800/FVW



- SWITCHES**
- S₁ INPUT SELECTOR
 - 1. MIC 2. PHONO 1 3. PHONO 2 4. TUNER 5. AUX 1 6. AUX 2
 - S₂ PHONO 2 SELECTOR
 - 1. MM 2. MC
 - S₃ MODE SELECTOR
 - 1. REV 2. NORM 3. L 4. R 5. L+R
 - S₄ TAPE MONITOR 1 SW
 - 1. OFF 2. ON
 - S₅ TAPE MONITOR 2 SW
 - 1. OFF 2. ON
 - S₆ LOUDNESS SW
 - 1. OFF 2. ON
 - S₇ BASS CONTROL
 - 9dB ~ +12dB (at 100Hz)
 - S₈ TREBLE CONTROL
 - 12dB ~ +9dB (at 10kHz)
 - S₉ LOW FILTER SW
 - 1. OFF 2. ON
 - S₁₀ HIGH FILTER SW
 - 1. OFF 2. ON
 - S₁₁ MUTING SW
 - 1. OFF 2. -20dB
 - S₁₂ PRE & MAIN SW
 - 1. INTERCOUPLED 2. SEPARATED
 - S₁₃ OUTPUT SELECTOR
 - 1. OFF 2. A 3. B 4. A+B
 - S₁₄ POWER SW
 - 1. OFF 2. ON
 - S₁₅ RELAY
 - 1. OFF 2. ON

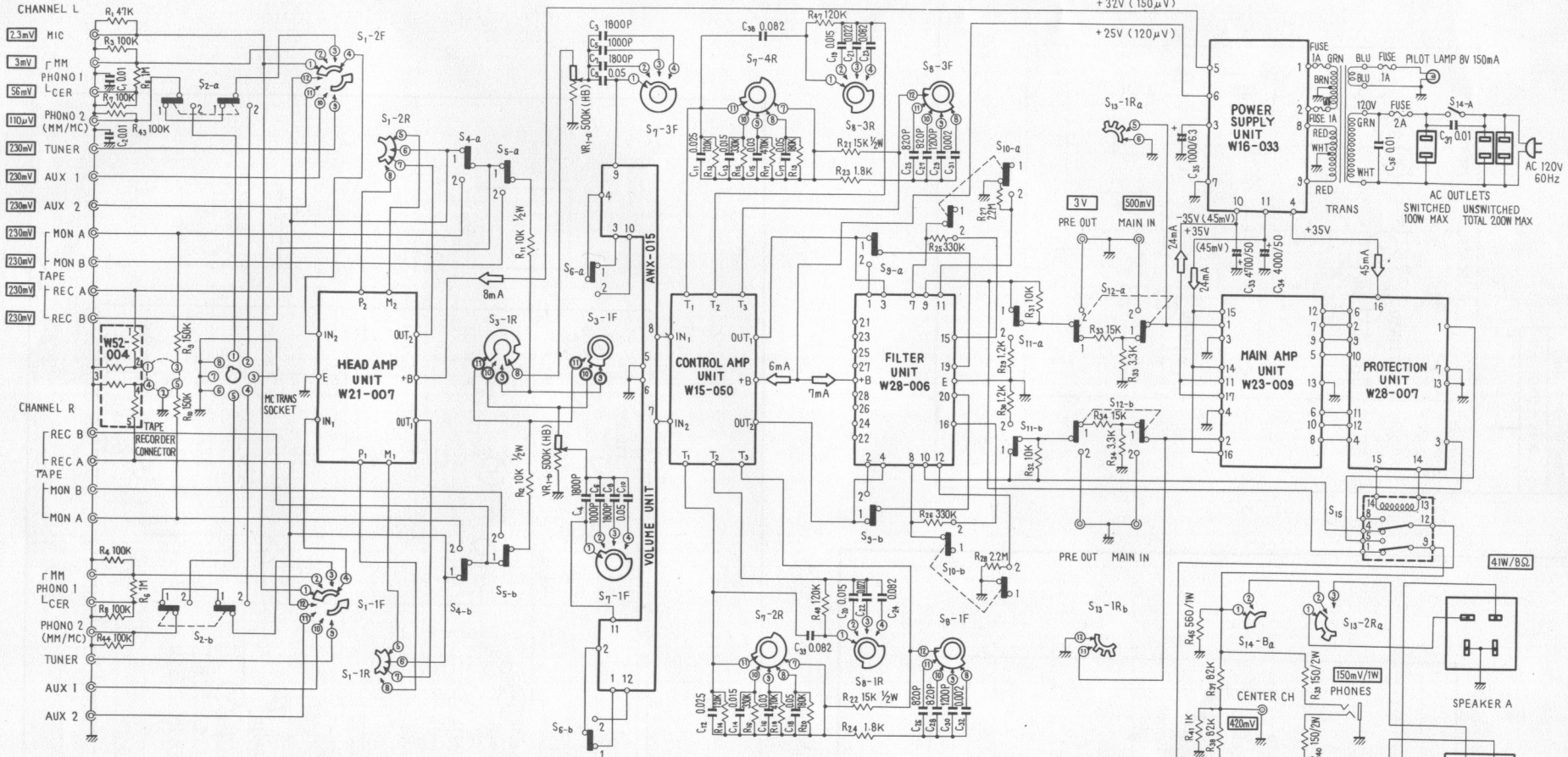
- POTENTIOMETERS**
- VR₁ BALANCE CONTROL
- RESISTORS**
- ±10% TOLERANCE P-TYPE CARBON 1/4 WATT
 - NON MARK : OHM K: KILOHM M: MEGOHM
- CAPACITORS**
- NON MARK : MICRO FARAD P: PICO FARAD

: SIGNAL VOLTAGE AT 40W/8Ω (at 1kHz)
 : RIPPLE VOLTAGE
 : NO INPUT SIGNAL DC VOLTAGE
 : NO INPUT SIGNAL DC CURRENT

ITEM NO.	VACANT NO.
R ₁ ~ R ₄₈	R ₂ , 42
C ₁ ~ C ₄₀	

41W/8Ω

SA-800/KUW



SWITCHES

- S₁ INPUT SELECTOR
 1. MIC 2. PHONO 1 3. PHONO 2 4. TUNER 5. AUX 1 6. AUX 2
- S₂ PHONO 2 SELECTOR
 1. MM 2. MC
- S₃ MODE SELECTOR
 1. REV 2. NORM 3. L 4. R 5. L+R
- S₄ TAPE MONITOR 1 SW 1. OFF 2. ON
 S₅ TAPE MONITOR 2 SW 1. OFF 2. ON
 S₆ LOUDNESS SW 1. OFF 2. ON
 S₇ BASS CONTROL -9dB ~ +12dB (at 100Hz)
 S₈ TREBLE CONTROL -12dB ~ +9dB (at 10kHz)
 S₉ LOW FILTER SW 1. OFF 2. ON
 S₁₀ HIGH FILTER SW 1. OFF 2. ON
 S₁₁ MUTING SW 1. OFF 2. -20dB
 S₁₂ PRE & MAIN SW 1. INTERCOUPLED 2. SEPARATED
- S₁₃ OUTPUT SELECTOR
 1. OFF 2. A 3. B 4. A+B
- S₁₄ POWER SW 1. OFF 2. ON
 S₁₅ RELAY 1. OFF 2. ON

POTENTIOMETERS

- VR₁ BALANCE CONTROL

RESISTORS

- ±10% TOLERANCE P-TYPE CARBON 1/4 WATT
 NON MARK : OHM K-KILOHM M-MEGOHM

CAPACITORS

- NON MARK : MICRO FARAD P-PICO FARAD

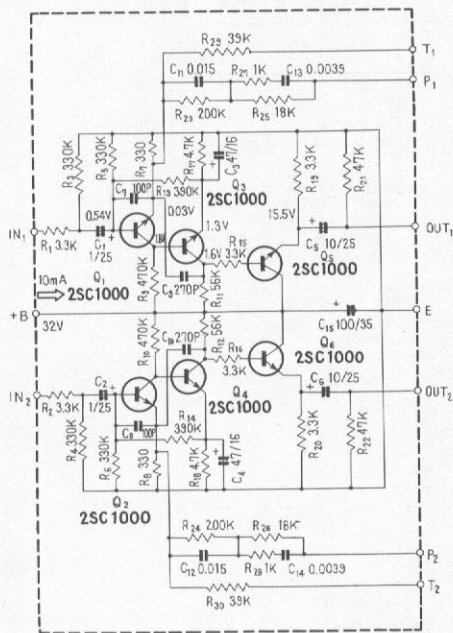
- : SIGNAL VOLTAGE AT 40W/8Ω (at 1kHz)
 : RIPPLE VOLTAGE
 : NO INPUT SIGNAL DC VOLTAGE
 : NO INPUT SIGNAL DC CURRENT

ITEM NO.	VACANT NO.
R ₁ ~ R ₄₈	R ₂ , 42
C ₁ ~ C ₃₅	

HEAD AMP UNIT

HEAD AMP UNIT

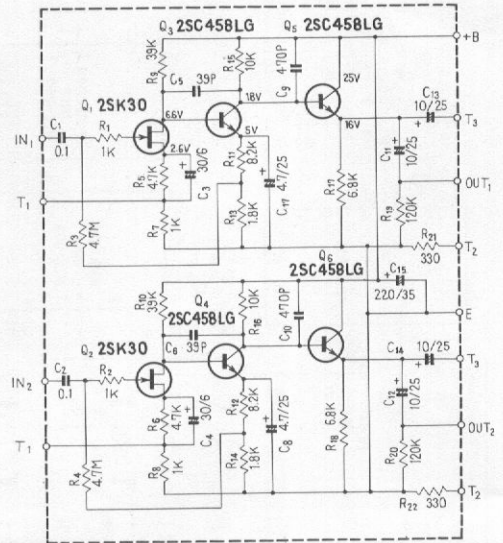
W21-007



CONTROL AMP UNIT

CONTROL AMP UNIT

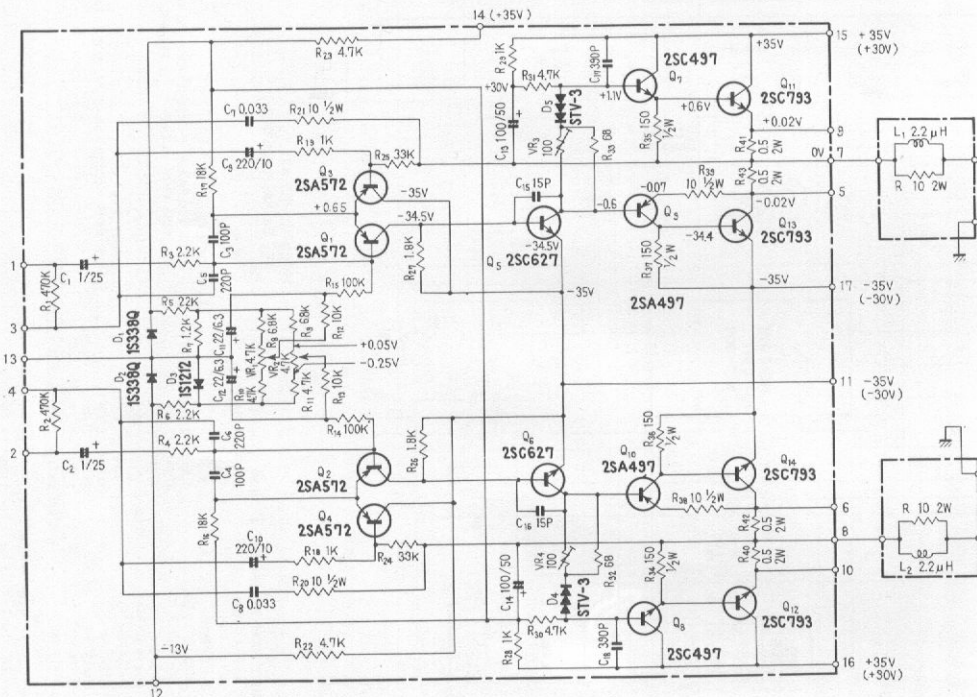
W15-050



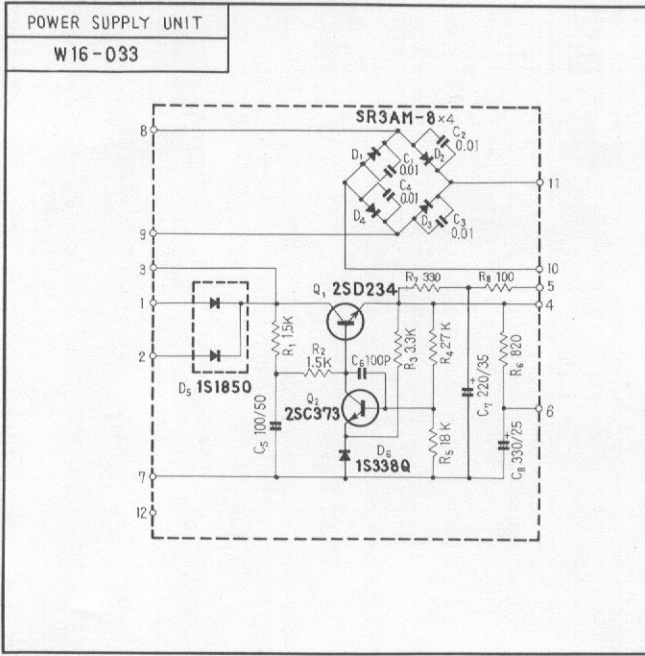
MAIN AMP UNIT

MAIN AMP UNIT

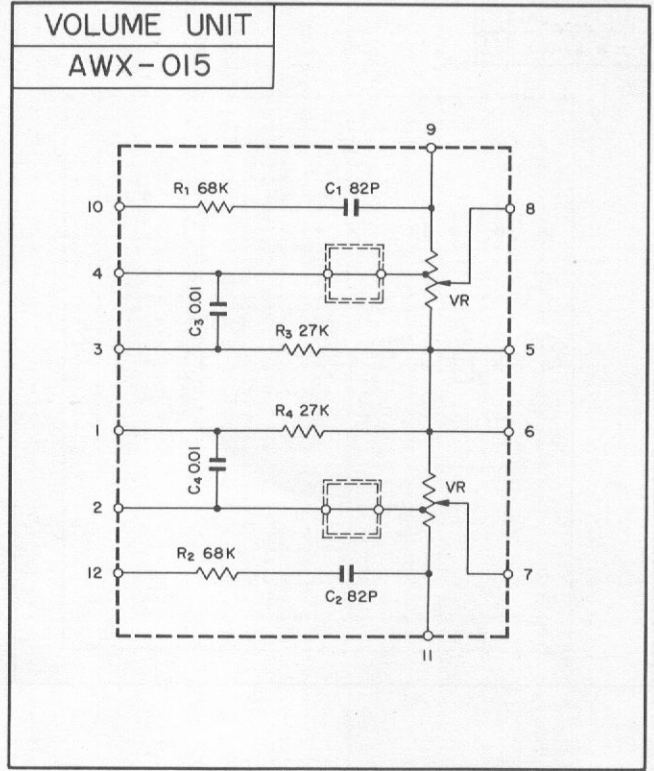
W23-009



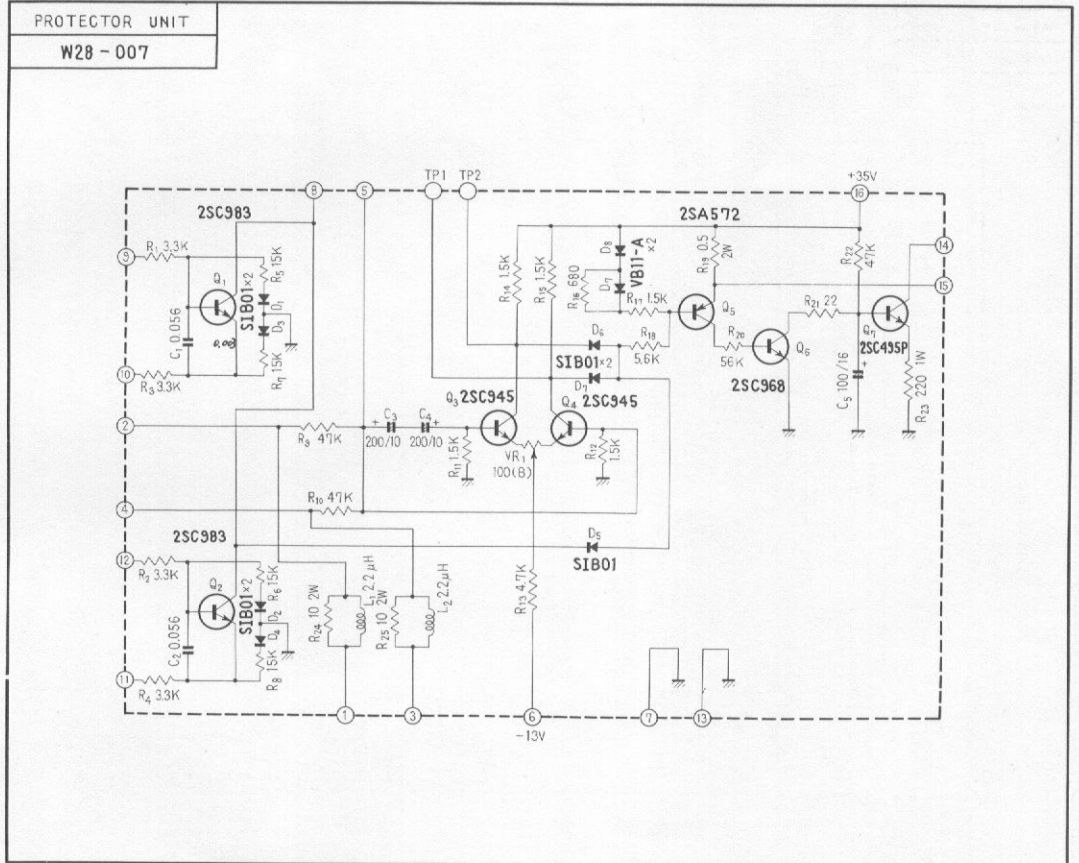
POWER SUPPLY UNIT



VOLUME UNIT



PROTECTOR UNIT



FILTER UNIT

FILTER UNIT

W28-006

