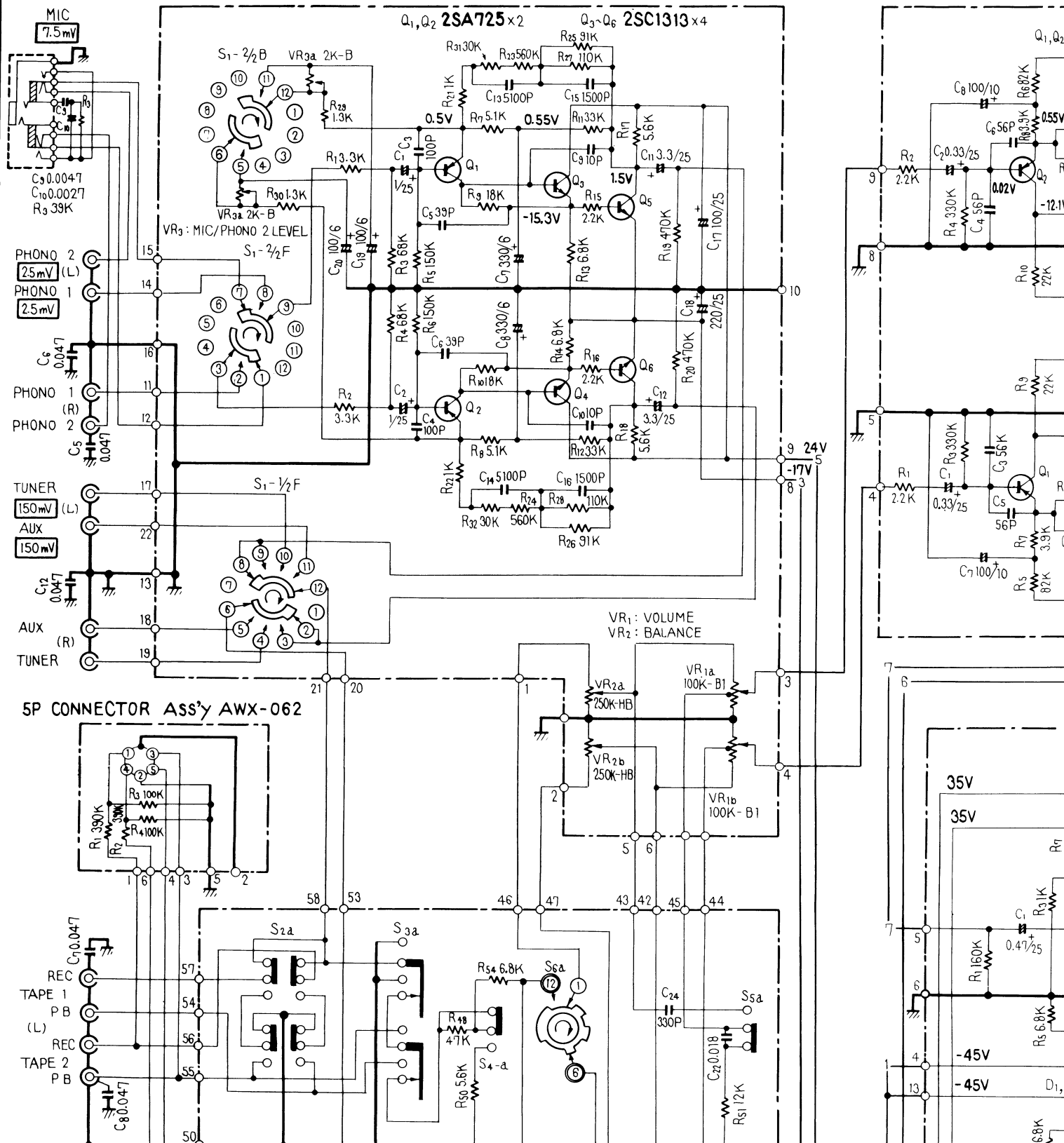
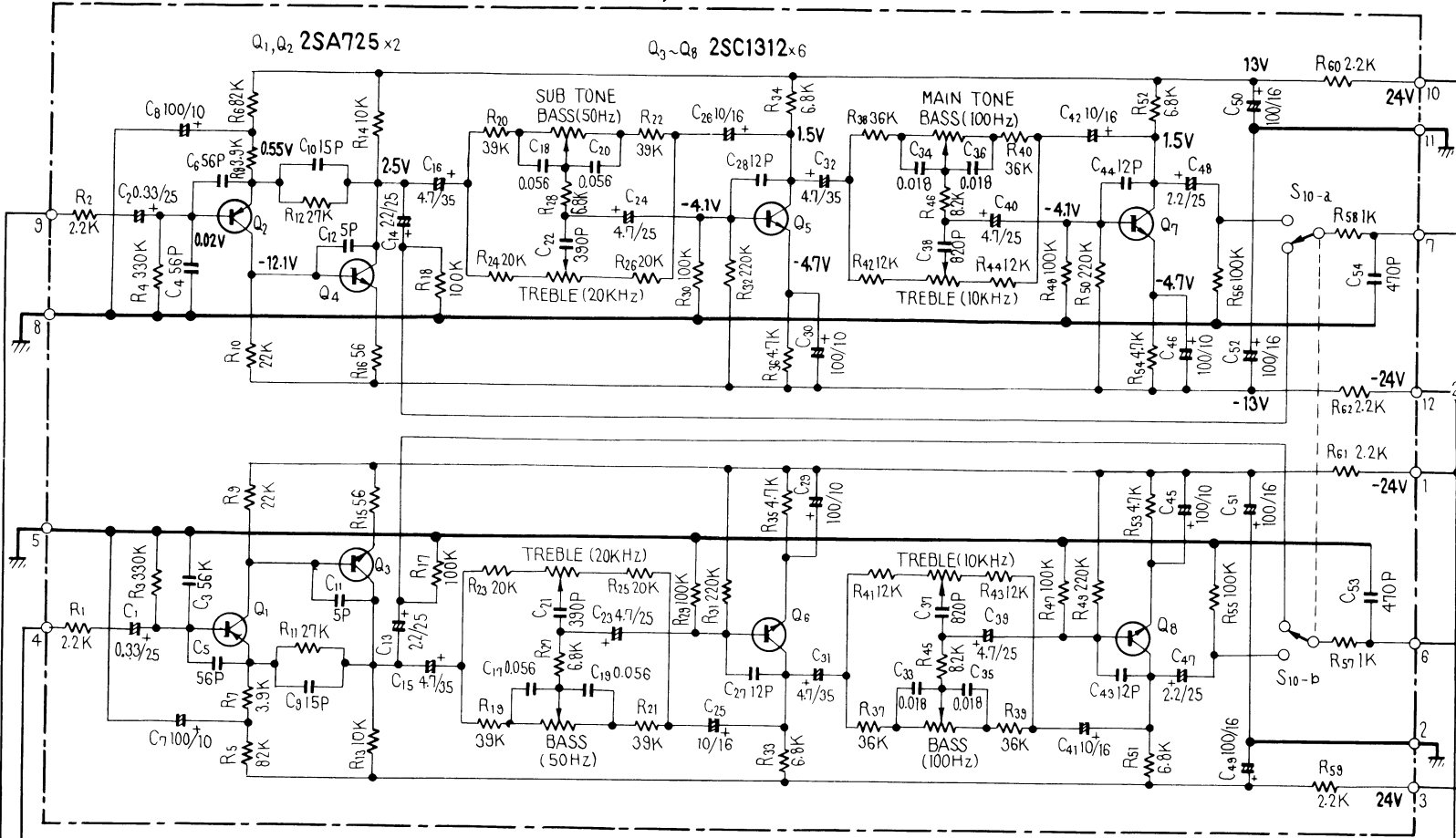


# SA-8500 FV

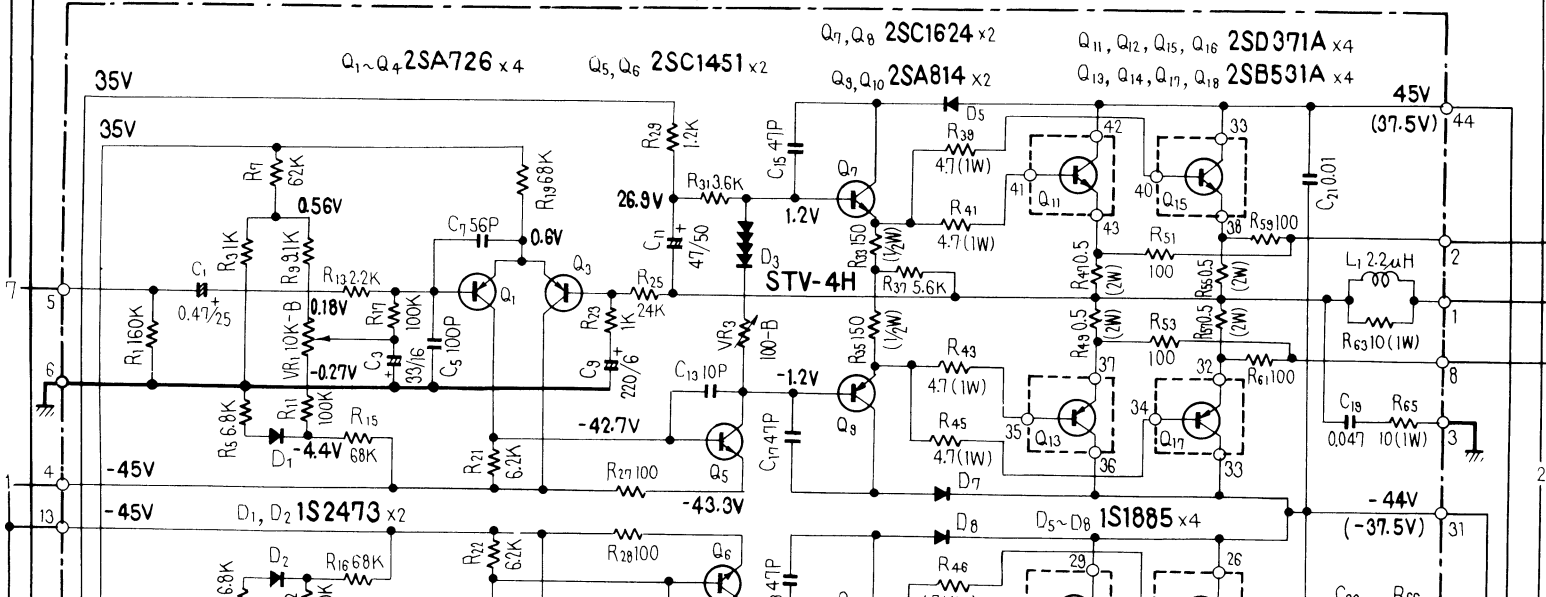
## EQUALIZER AMP ASS'y AWF-016



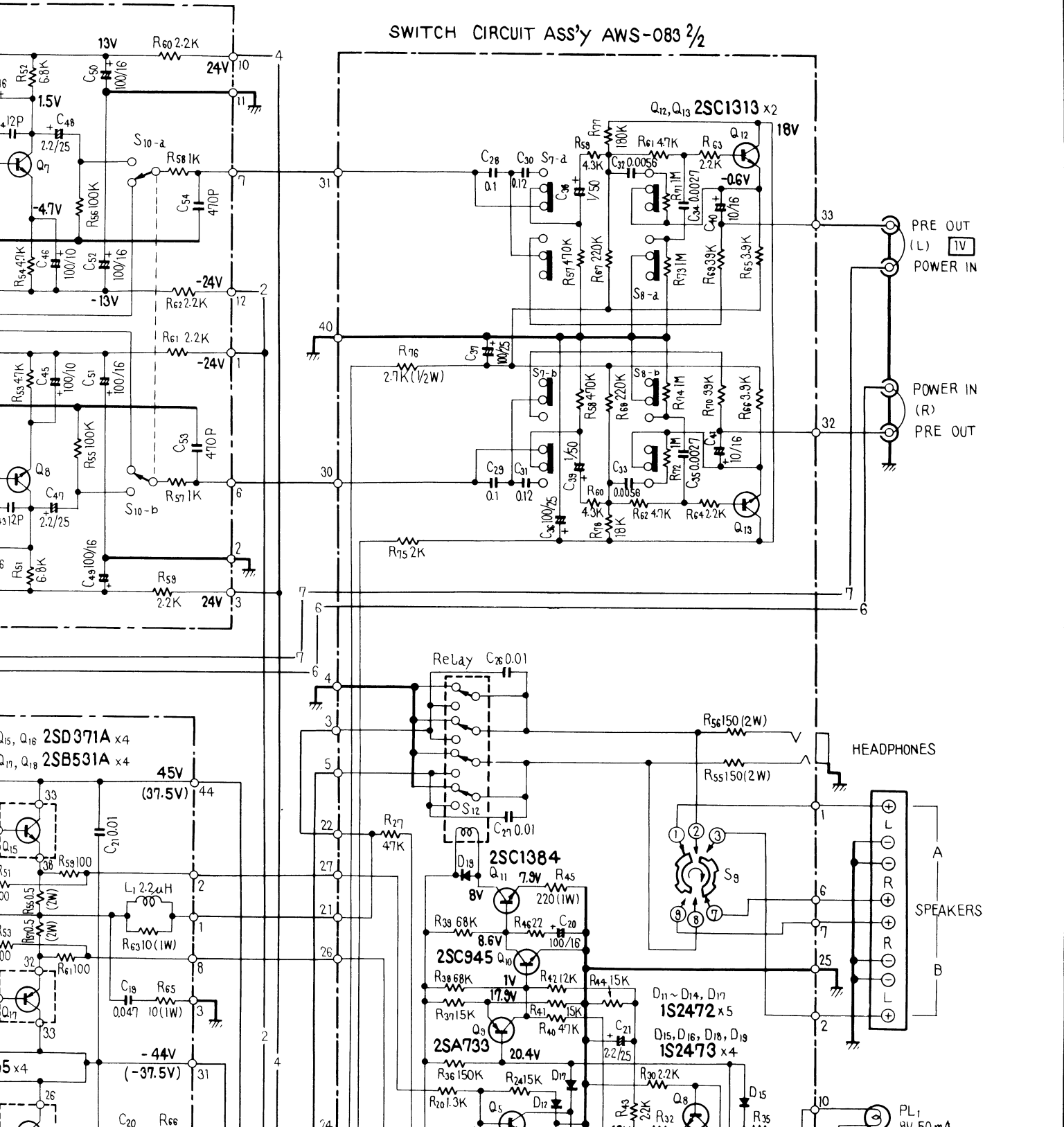
### CONTROL AMP Ass'y AWG-034

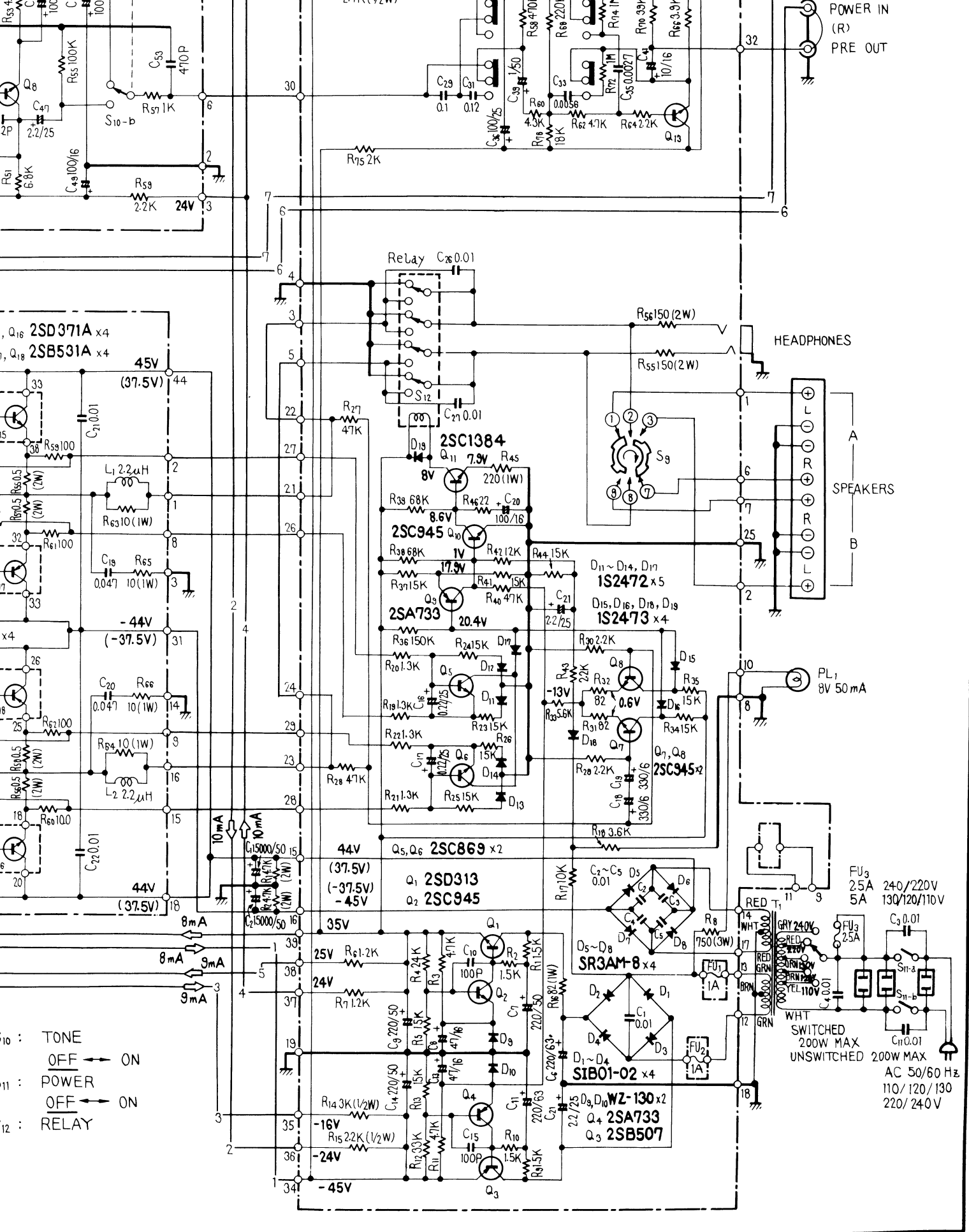


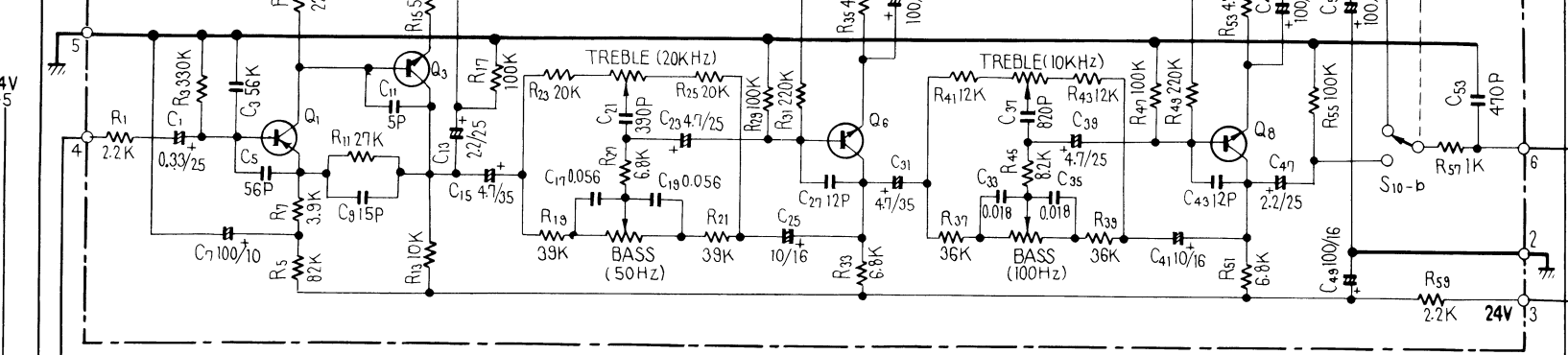
### POWER AMP Ass'y AWH-042



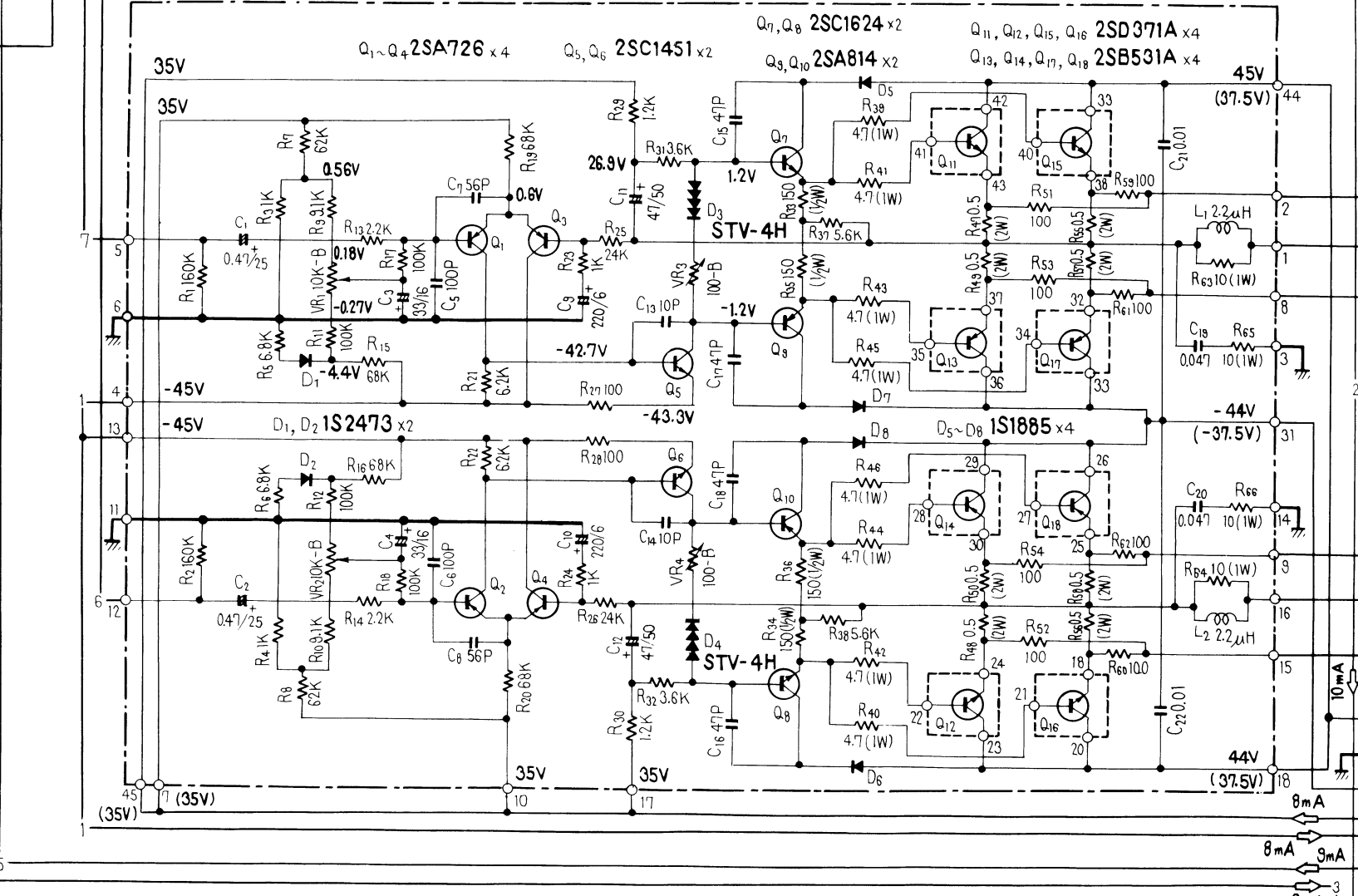
### SWITCH CIRCUIT ASS'Y AWS-083 1/2





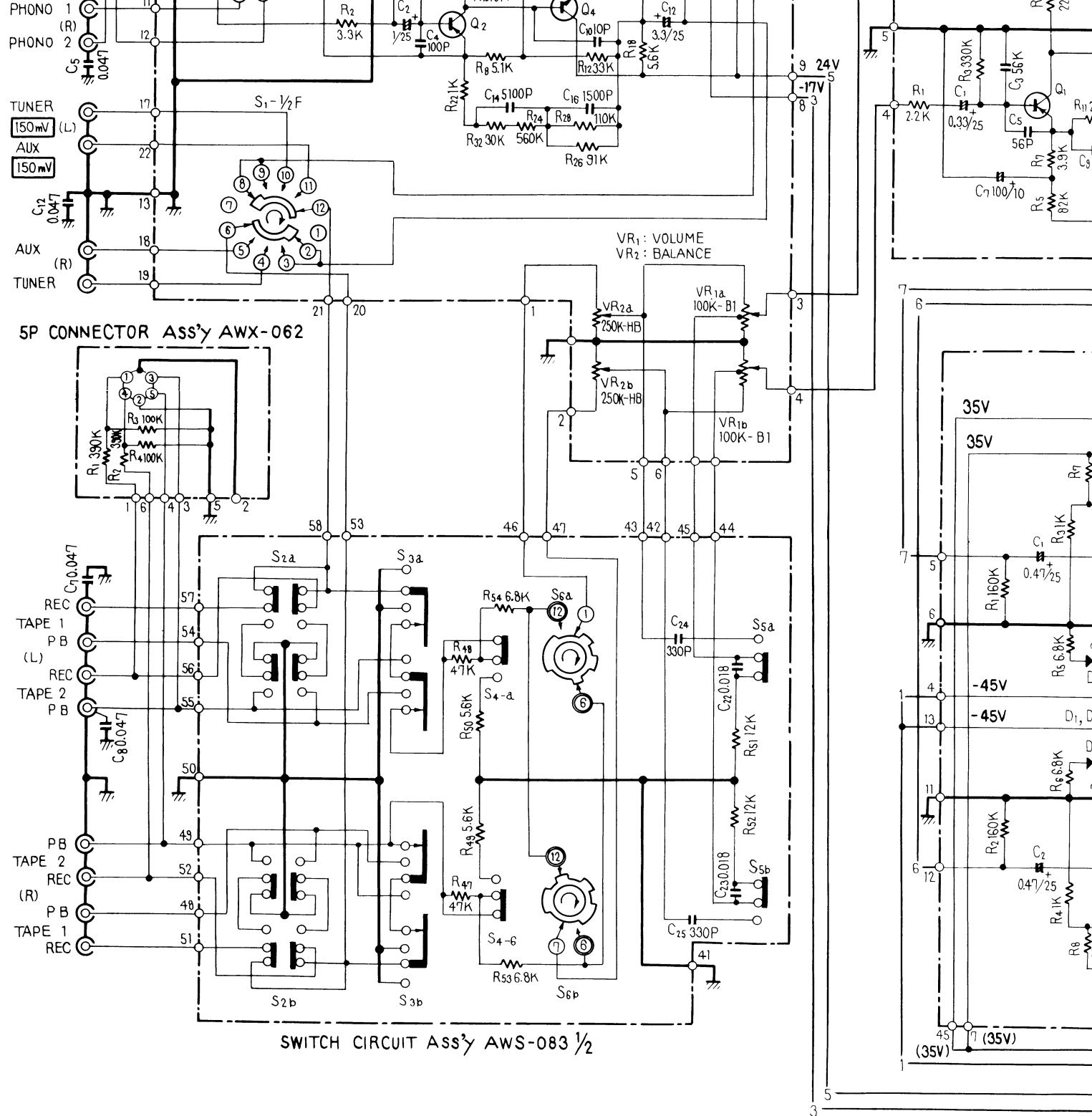


POWER AMP ASSY AWH-042



SWITCHES

- |                               |                           |                              |                         |
|-------------------------------|---------------------------|------------------------------|-------------------------|
| S <sub>1</sub> : FUNCTION     | S <sub>4</sub> : MUTING   | S <sub>7</sub> : LOW FILTER  | S <sub>10</sub> : TONE  |
| 1. MIC/PHONO 2                | OFF ↔ -20dB               | OFF ↔ ON                     | OFF ↔ ON                |
| 2. PHONO 1                    | S <sub>5</sub> : LOUDNESS | S <sub>8</sub> : HIGH FILTER | S <sub>11</sub> : POWER |
| 3. TUNER                      | OFF ↔ ON                  | OFF ↔ ON                     | OFF ↔ ON                |
| 4. AUX                        | S <sub>6</sub> : MODE     | S <sub>9</sub> : SPEAKERS    | S <sub>12</sub> : RELAY |
| S <sub>2</sub> : DUPLICATE    | 1. REVERSE                | 1. OFF                       |                         |
| OFF ↔ ON                      | 2. STEREO                 | 2. A                         |                         |
| S <sub>3</sub> : TAPE MONITOR | 3. L + R                  | 3. B                         |                         |
| 1. SOURCE ↔ 2.                | 4. L                      | 4. A + B                     |                         |
|                               | 5. R                      |                              |                         |



NOTES

- V : SIGNAL VOLTAGE NECESSARY FOR OBTAINING 60W x2/8Ω OUTPUT POWER (1KHz)
- V** : DC VOLTAGE AT NO INPUT SIGNAL

RESISTORS

IN OHM, 1/4W, ±5% TOLERANCE UNLESS OTHERWISE NOTED. K : kΩ, M : MΩ

CAPACITORS

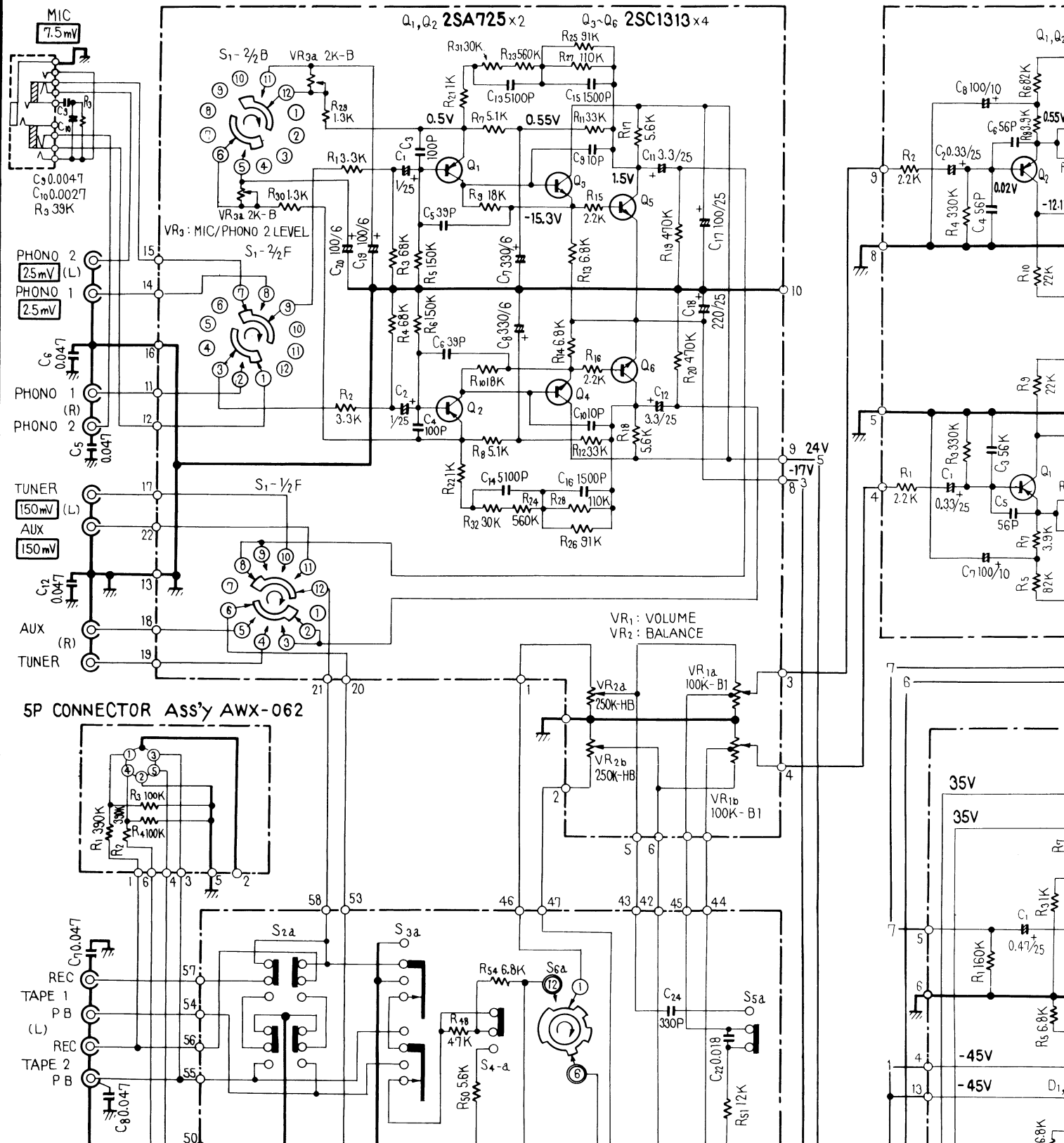
IN μF UNLESS OTHERWISE NOTED P : pF

SWITCHES

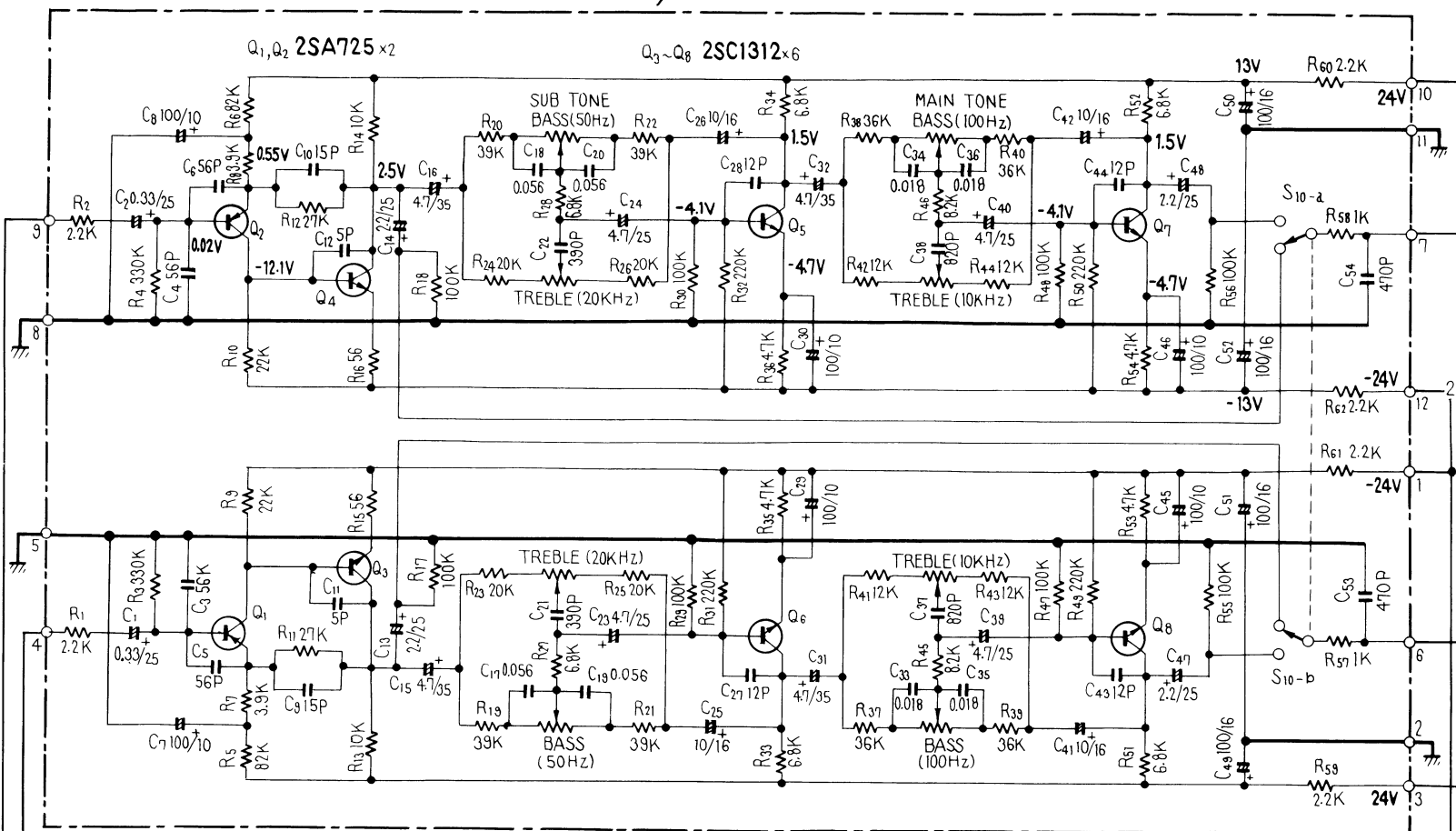
- S1 : FUNCTION
- 1. M
- 2. PH
- 3. TU
- 4. A
- S2 : DUPL
- OFF
- S3 : TAP
- 1. →

# SA-8500 GN

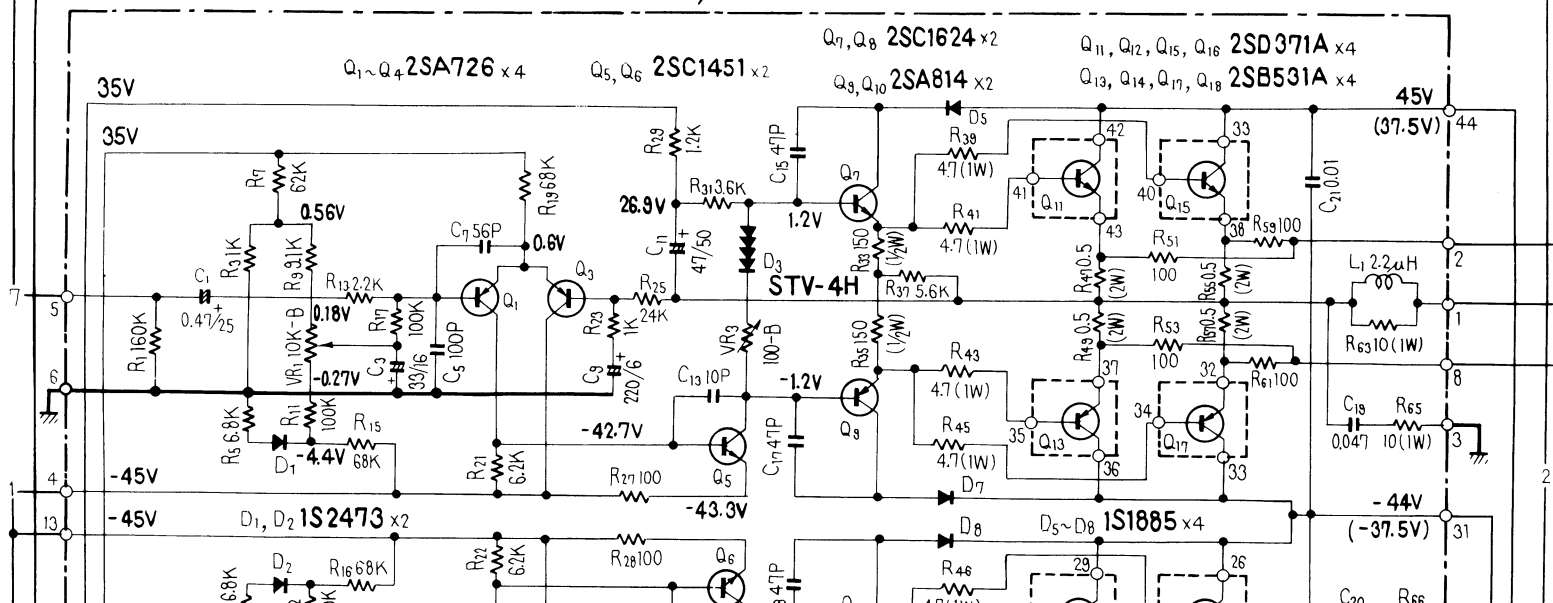
## EQUALIZER AMP ASS'y AWF-016



### CONTROL AMP Ass'y AWG-034

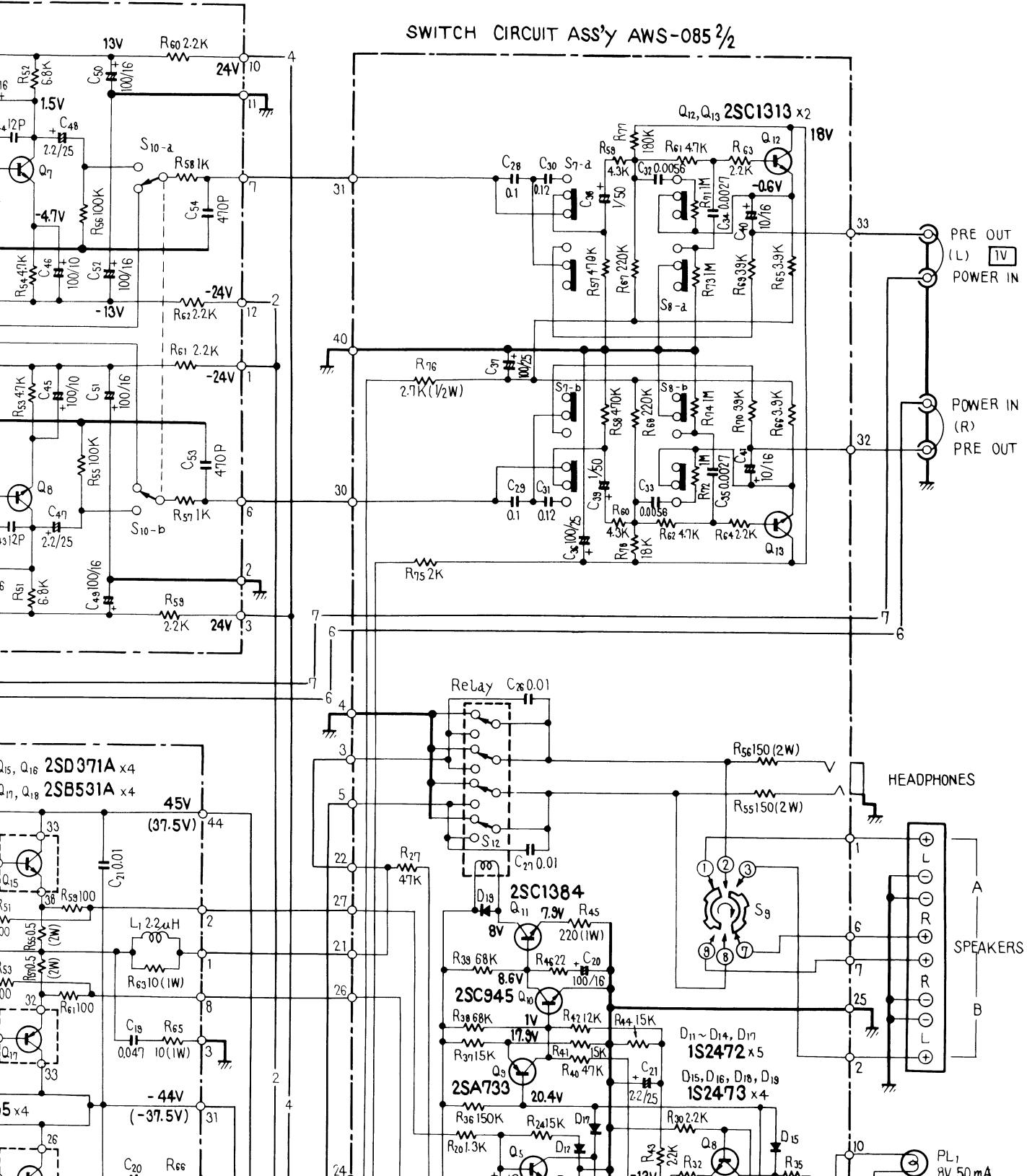


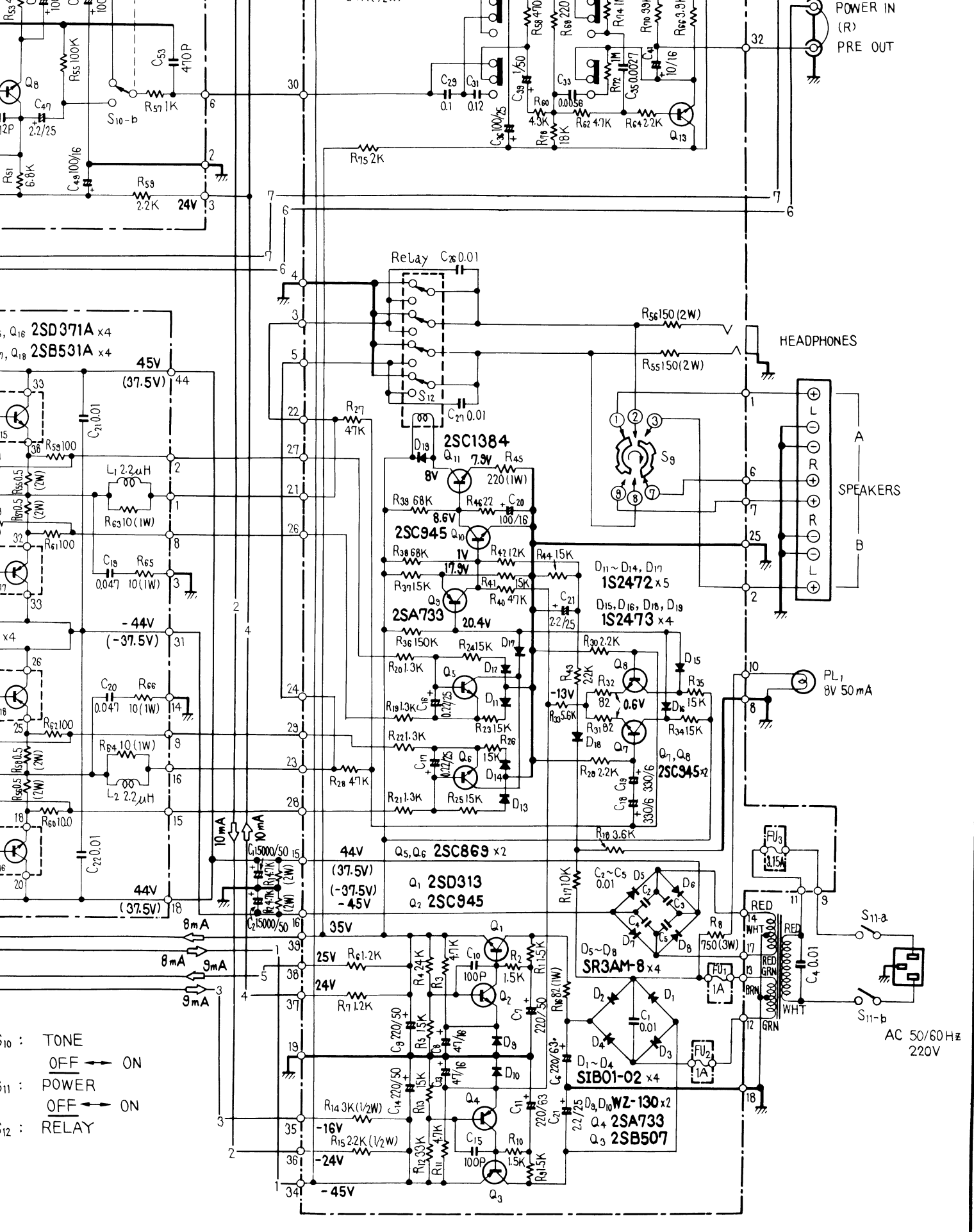
### POWER AMP Ass'y AWH-042





SWITCH CIRCUIT ASS'y AWS-085 2/2





- 10 : TONE  
OFF → ON
- 11 : POWER  
OFF → ON
- 12 : RELAY

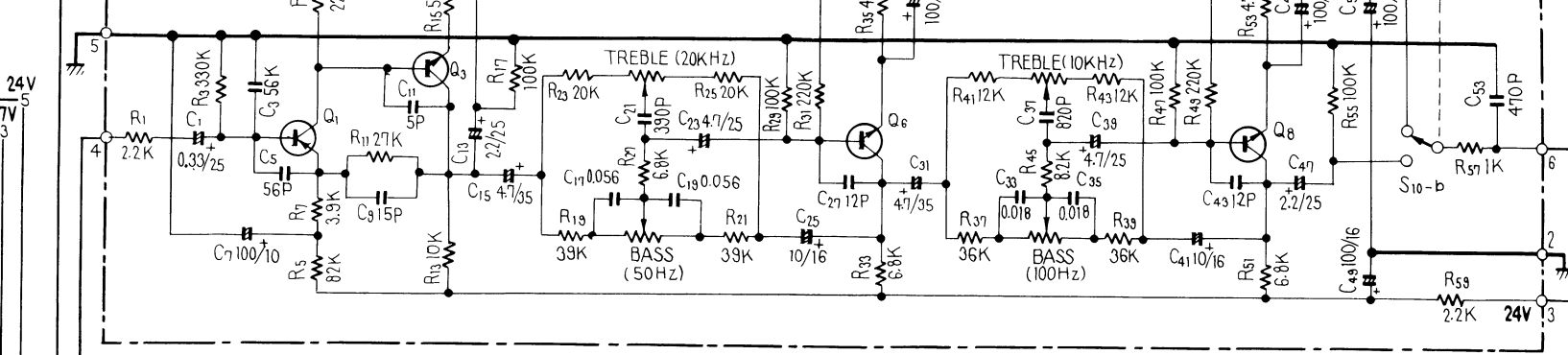
POWER IN (R)  
PRE OUT

HEADPHONES

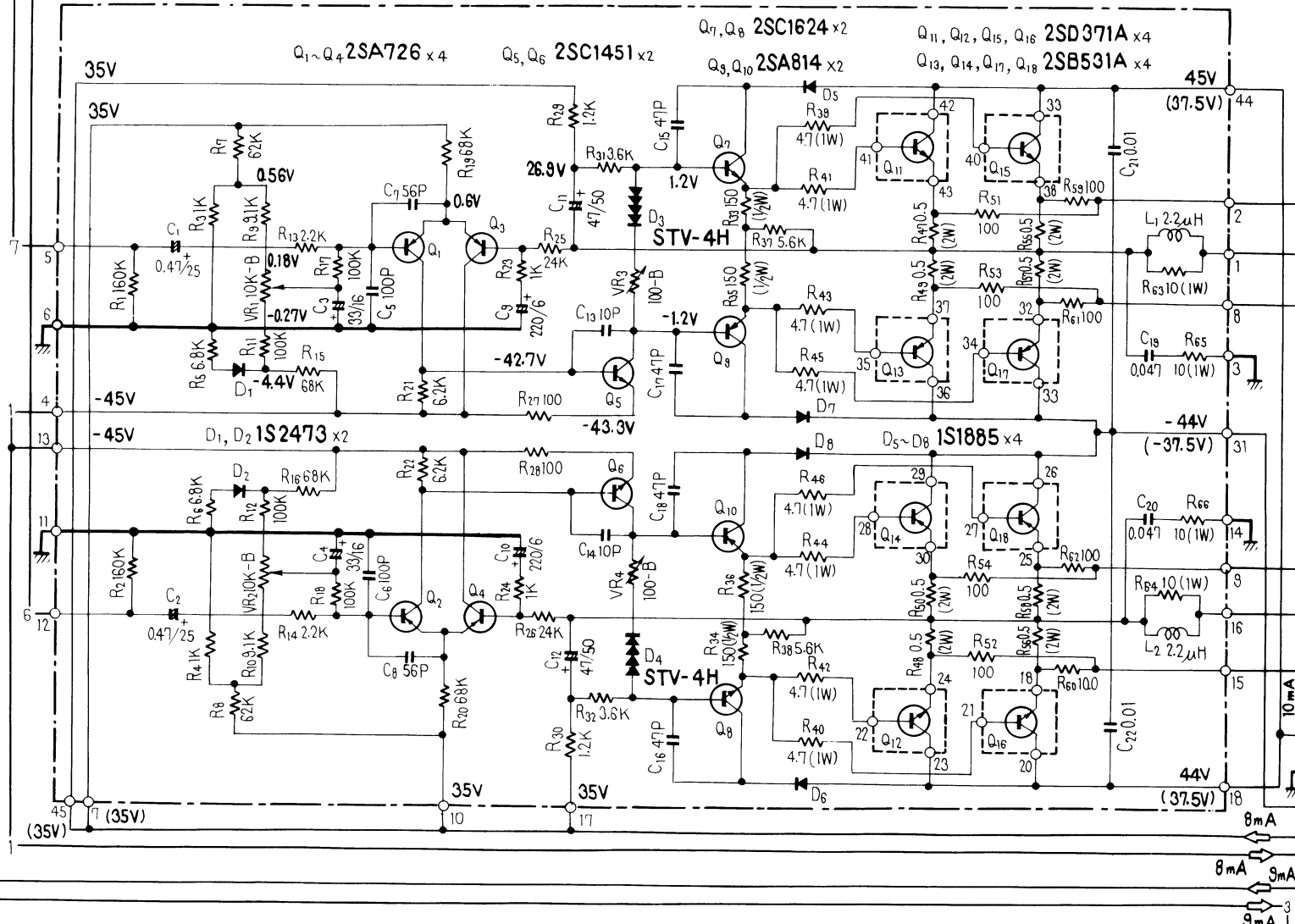
SPEAKERS  
A  
B

PL<sub>1</sub>  
8V 50mA

AC 50/60 Hz  
220V

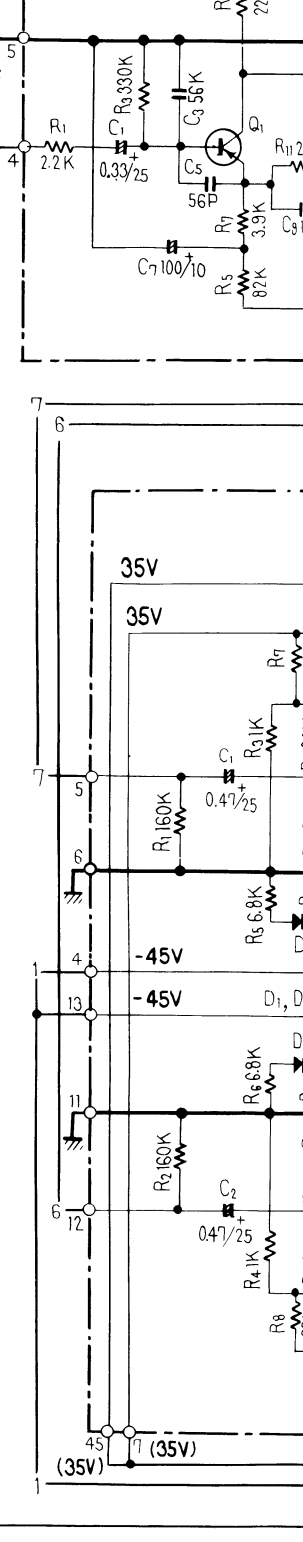
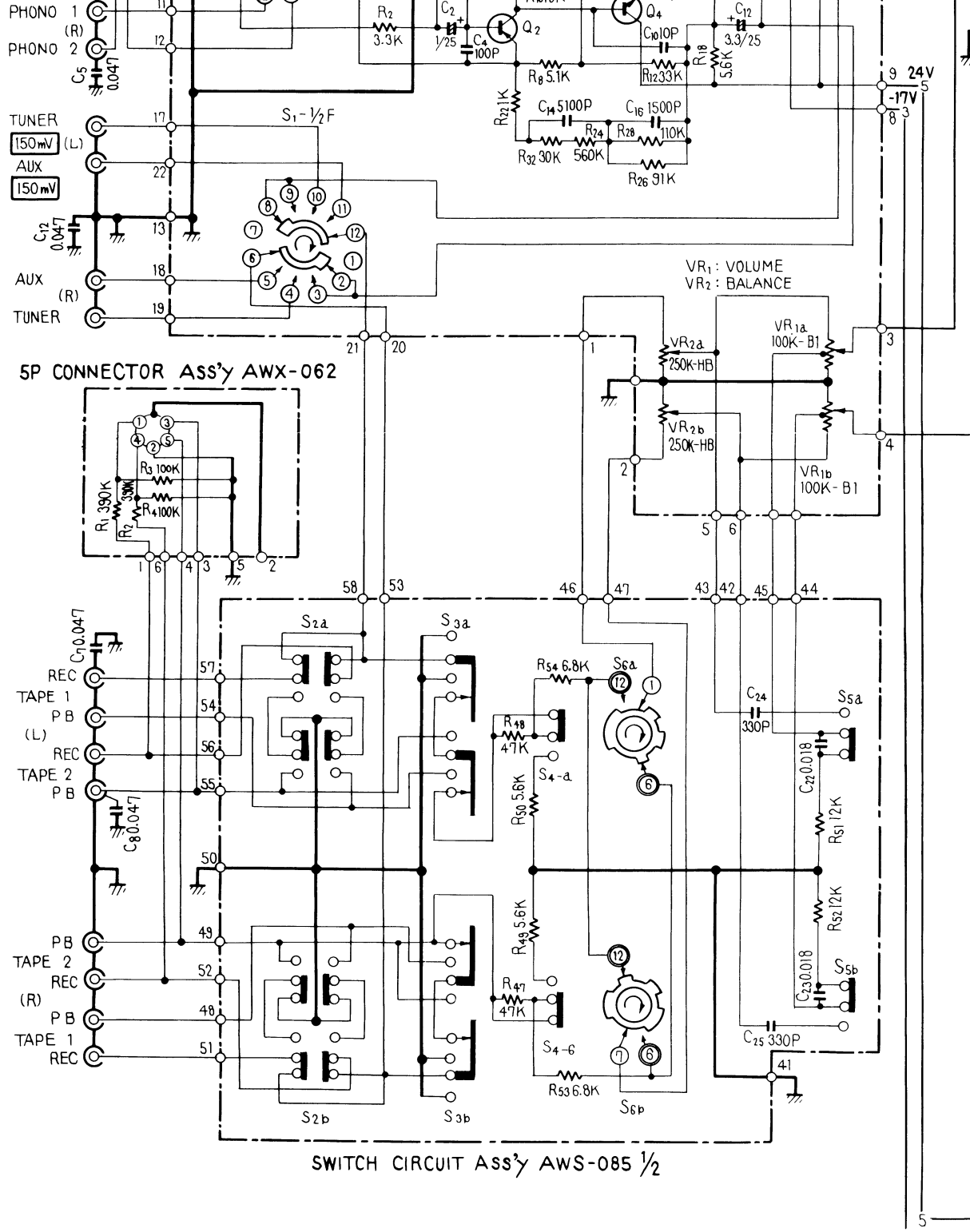


### POWER AMP ASS'Y AWH-042



#### SWITCHES

- |                               |                           |                              |                         |
|-------------------------------|---------------------------|------------------------------|-------------------------|
| S <sub>1</sub> : FUNCTION     | S <sub>4</sub> : MUTING   | S <sub>7</sub> : LOW FILTER  | S <sub>10</sub> : TONE  |
| 1. MIC/PHONO 2                | OFF ↔ -20dB               | OFF ↔ ON                     | OFF ↔ ON                |
| 2. PHONO 1                    | S <sub>5</sub> : LOUDNESS | S <sub>8</sub> : HIGH FILTER | S <sub>11</sub> : POWER |
| 3. TUNER                      | OFF ↔ ON                  | OFF ↔ ON                     | OFF ↔ ON                |
| 4. AUX                        | S <sub>6</sub> : MODE     | S <sub>9</sub> : SPEAKERS    | S <sub>12</sub> : RELAY |
| S <sub>2</sub> : DUPLICATE    | 1. REVERSE                | 1. OFF                       |                         |
| OFF ↔ ON                      | 2. STEREO                 | 2. A                         |                         |
| S <sub>3</sub> : TAPE MONITOR | 3. L + R                  | 3. B                         |                         |
| 1. ↔ SOURCE ↔ 2.              | 4. L                      | 4. A + B                     |                         |
|                               | 5. R                      |                              |                         |



NOTES

- V : SIGNAL VOLTAGE NECESSARY FOR OBTAINING 60W x2/8Ω OUTPUT POWER (1KHz)
- V** : DC VOLTAGE AT NO INPUT SIGNAL

RESISTORS

IN OHM, 1/4W, ±5% TOLERANCE UNLESS OTHERWISE NOTED. K : kΩ, M : MΩ

CAPACITORS

IN μF UNLESS OTHERWISE NOTED P : pF

SWITCHES

- S1 : FUNCTION
- 1. M
- 2. P
- 3. T
- 4. A
- S2 : DUPLICATION
- OFF
- S3 : TAPE
- 1. →