



Service Manual

STEREO AMPLIFIER

SA-8800

 **PIONEER[®]**

ADDITIONAL

 PIONEER

Service Manual

STEREO AMPLIFIER

SA-8800

KC
S
S/G

The basic performance of the KC, S and S/G types are the same as the KU type. The KU, KC and S/G types have wooden cover (Walnut grained finished), while S type employs metal (Black). This additional service manual is applicable to the KC, S and S/G types, please refer to the KU type service manual (ART-342) with the exception of this supplements.

SPECIFICATIONS FOR S AND S/G TYPES

The specifications for S and S/G types are the same as the KU type except for following sections;

Miscellaneous

Power Requirements . AC110/120/220/240V (Switchable),
50/60Hz

Dimensions 420(W)x150(H)x425(D)mm
16-17/32(W)x5-29/32(H)x16-3/4(D)in

Weight

S type Without Package; 15.0kg (33 lb 1 oz)
S/G type Without Package; 16.1kg (35 lb 8 oz)


Furnished Parts

Fuse (3A) 1
Fuse (6A) 1

SPECIFICATION FOR KC TYPE

The specifications for KC type is the same as the KU type.

CONTRAST OF MISCELLANEOUS PARTS

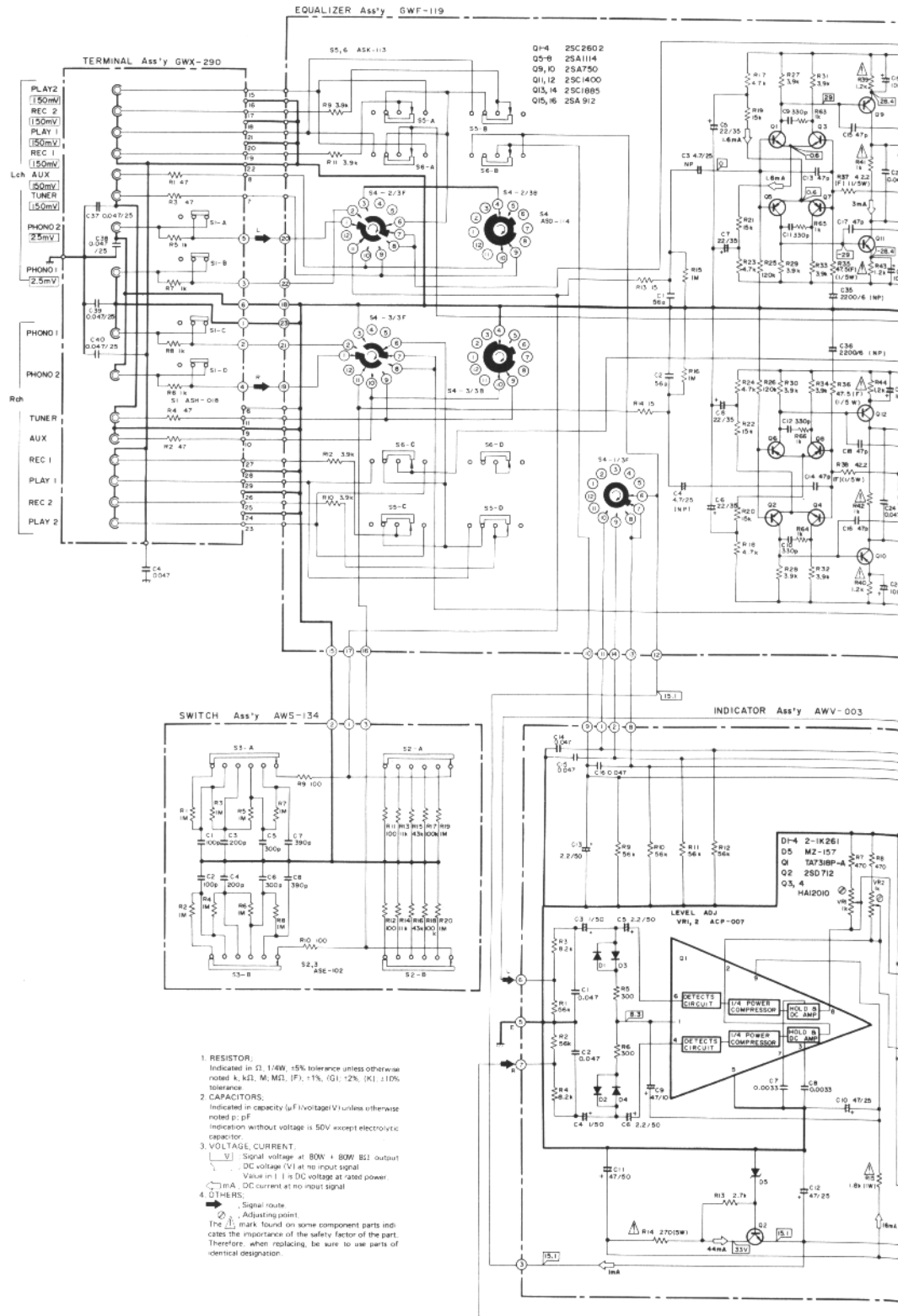
- The  mark found on some component parts indicates the importance of the safety factor of the part. Therefore, when replacing, be sure to use parts of identical designation.

P.C. BOARD ASSEMBLIES

Symbol	Description	Part No.			
		KU type	KC type	S type	S/G type
	Terminal assembly	GWX-242	GWX-290	GWX-274	GWX-274
	EQ assembly	GWX-113	GWX-119	GWX-117	GWX-117
	Filter assembly	GWS-164	GWS-177	GWS-177	GWS-177
	VR assembly	GWX-243	GWX-275	GWX-275	GWX-275
	Phones jack assembly	GWX-244	GWX-276	GWX-276	GWX-276
	TC assembly	GWG-122	GWG-125	GWG-125	GWG-125
	PA assembly	GWH-115	GWH-124	GWH-124	GWH-124
	Power supply assembly	AWR-182	AWR-198	AWR-193	AWR-193
	Indicator assembly	AWV-001	AWV-003	AWV-001	AWV-001
	Switch assembly	AWS-134	AWS-134	AWS-134	AWS-134

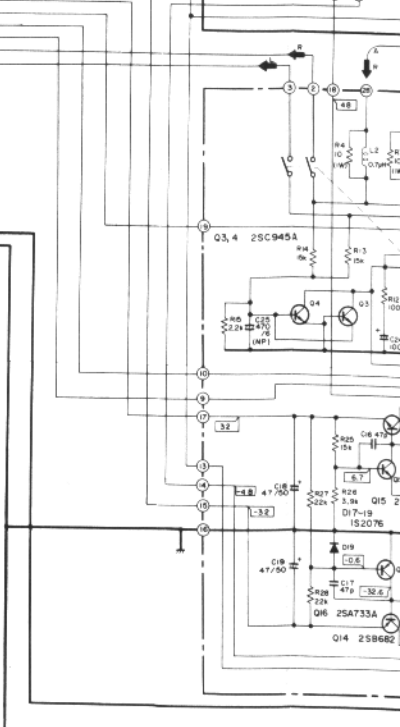
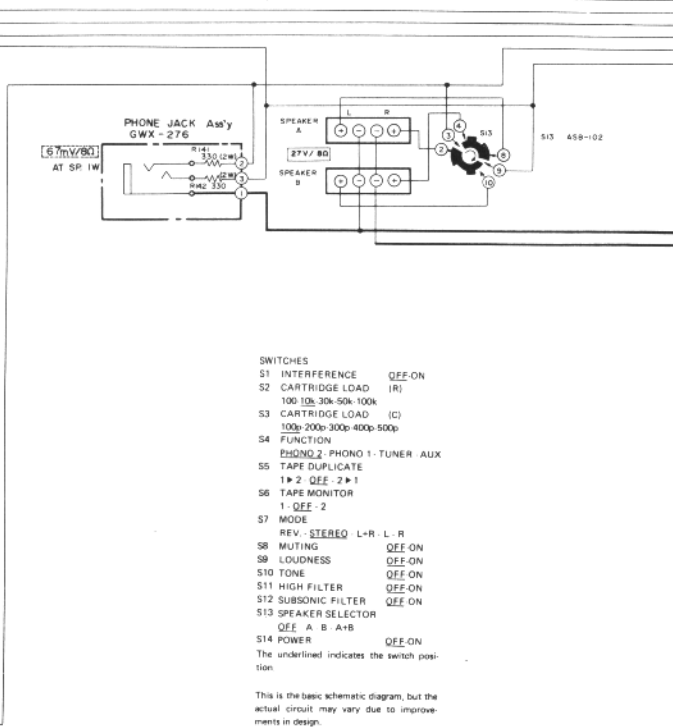
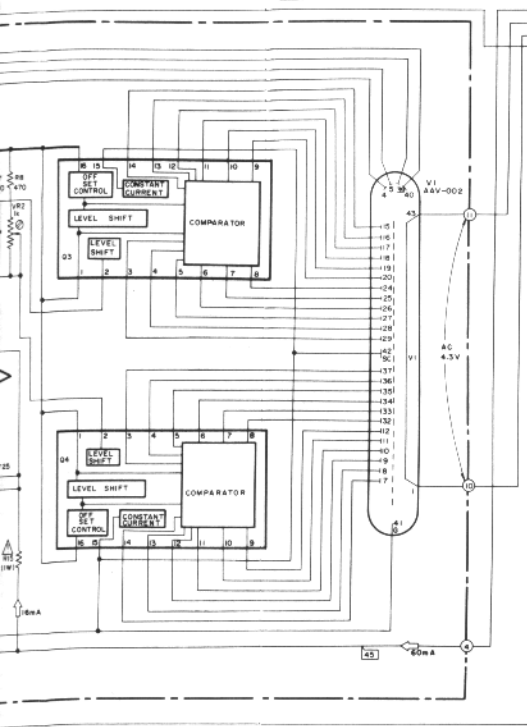
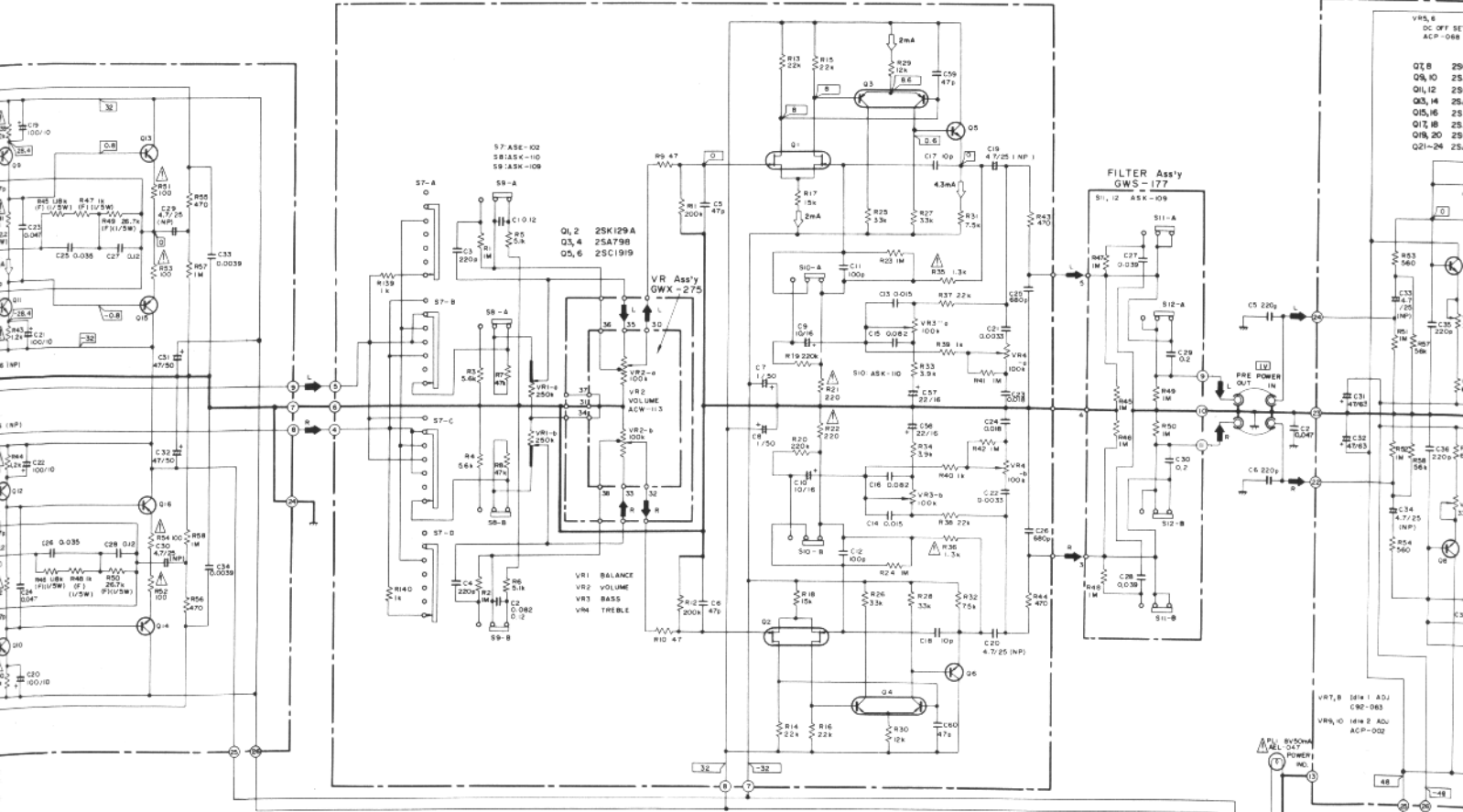
PIONEER ELECTRONIC CORPORATION 4-1, Meguro 1-Chome, Meguro-ku, Tokyo 153, Japan
U.S. PIONEER ELECTRONICS CORPORATION 85 Oxford Drive, Moonachie, New Jersey 07074, U.S.A
PIONEER ELECTRONIC (EUROPE) N.V. Luthagen-Haven 9, 2030 Antwerp, Belgium
PIONEER ELECTRONICS AUSTRALIA PTY. LTD. 176-184 Boundary Road, Braeside, Victoria 3195, Australia

Schematic Diagram for KC Type



TONE AMP Ass'y GWG-125

POWER AMP Ass'y

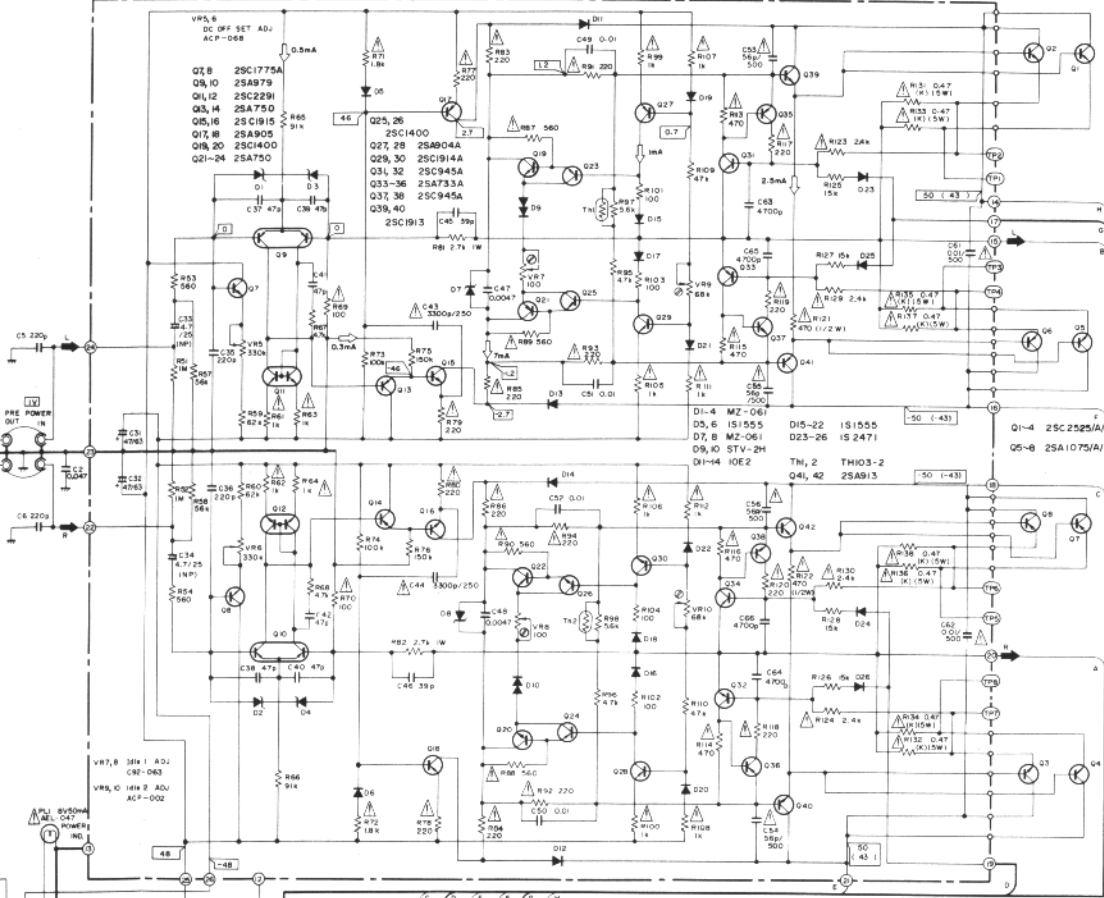


- SWITCHES
- S1 INTERFERENCE QEE-ON
 - S2 CARTRIDGE LOAD (R)
 - S3 CARTRIDGE LOAD (C)
 - S4 FUNCTION
 - PHONO 2, PHONO 1, TUNER AUX
 - S5 TAPE DUPLICATE
 - S6 TAPE MONITOR
 - S7 MODE
 - REV. STEREO L-R, L-R
 - S8 MUTING QEE-ON
 - S9 LOUDNESS QEE-ON
 - S10 TONE QEE-ON
 - S11 HIGH FILTER QEE-ON
 - S12 SUBSONIC FILTER QEE-ON
 - S13 SPEAKER SELECTOR
 - S14 POWER QEE-ON
- The underlined indicates the switch position.

This is the basic schematic diagram, but the actual circuit may vary due to improvements in design.

NOTE:
The indicated semiconductors are representative ones only. Other alternative semiconductors may be used and are listed in the parts list.

POWER AMP Assy GWH-124



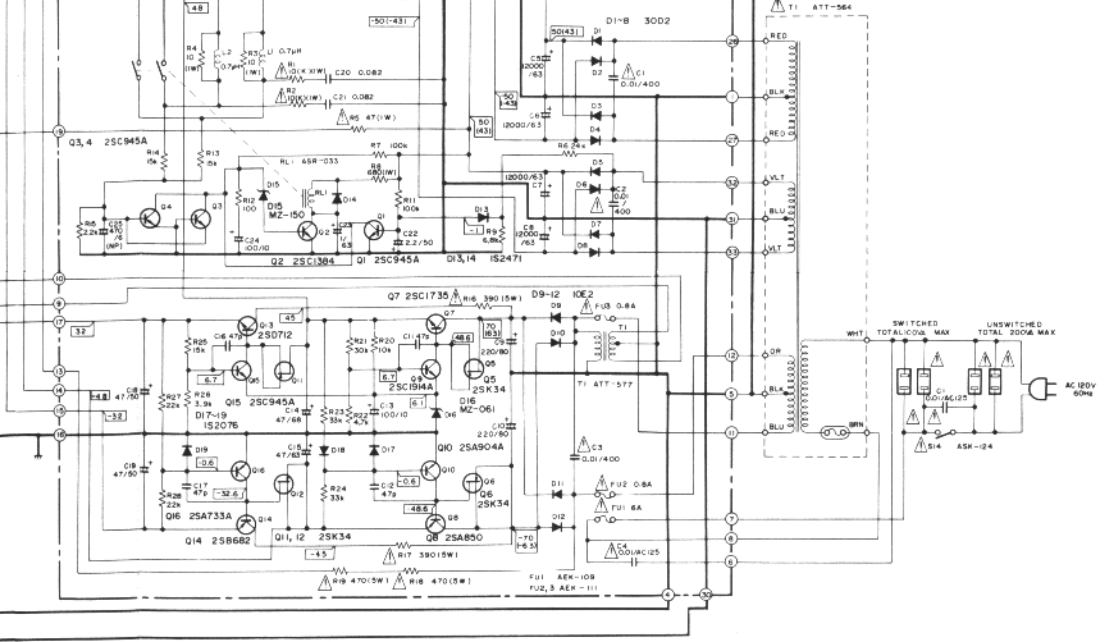
A

B

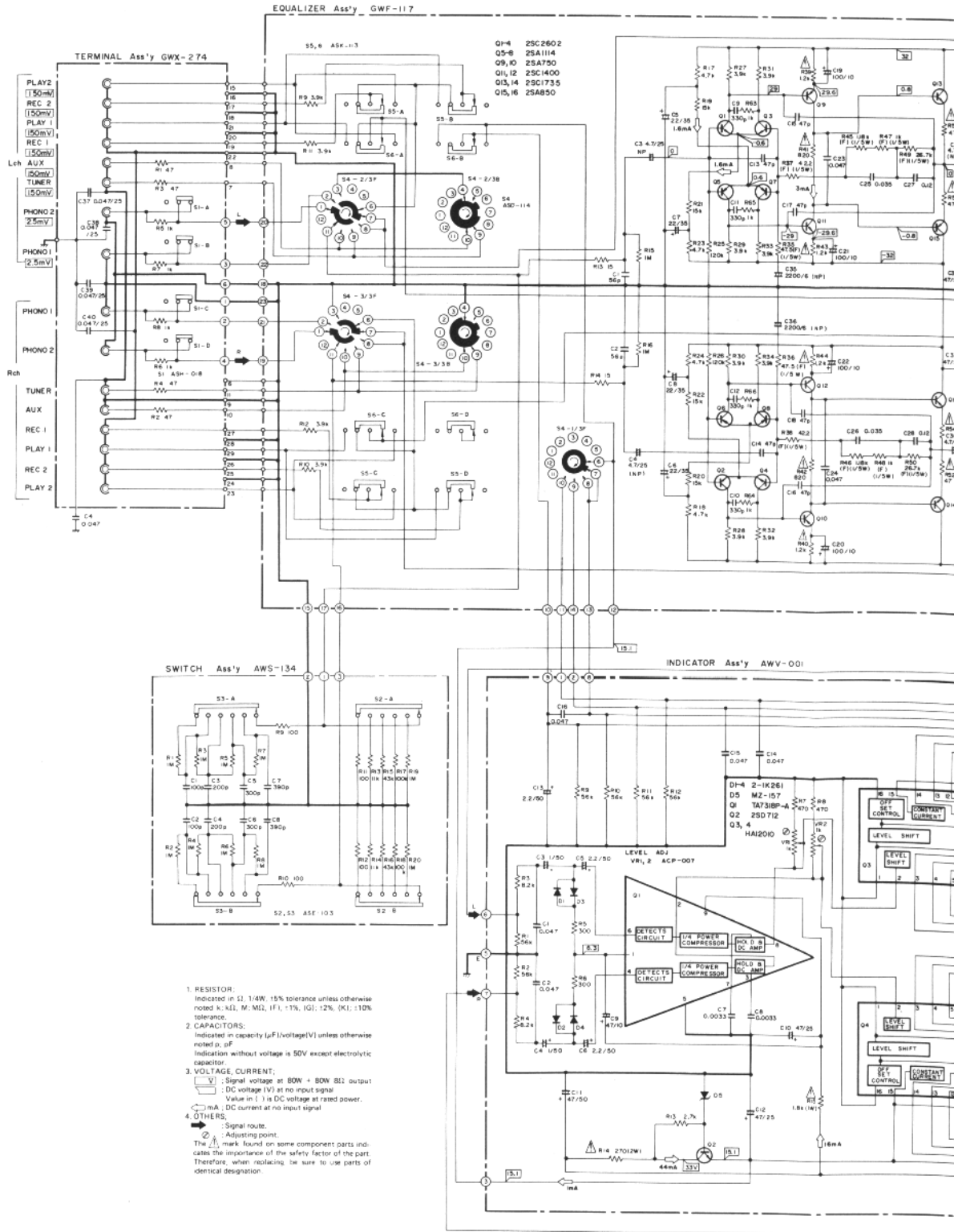
C

D

POWER SUPPLY Assy AWR-198



Schematic Diagram S and S/G Types



A

B

C

D

1

2

3

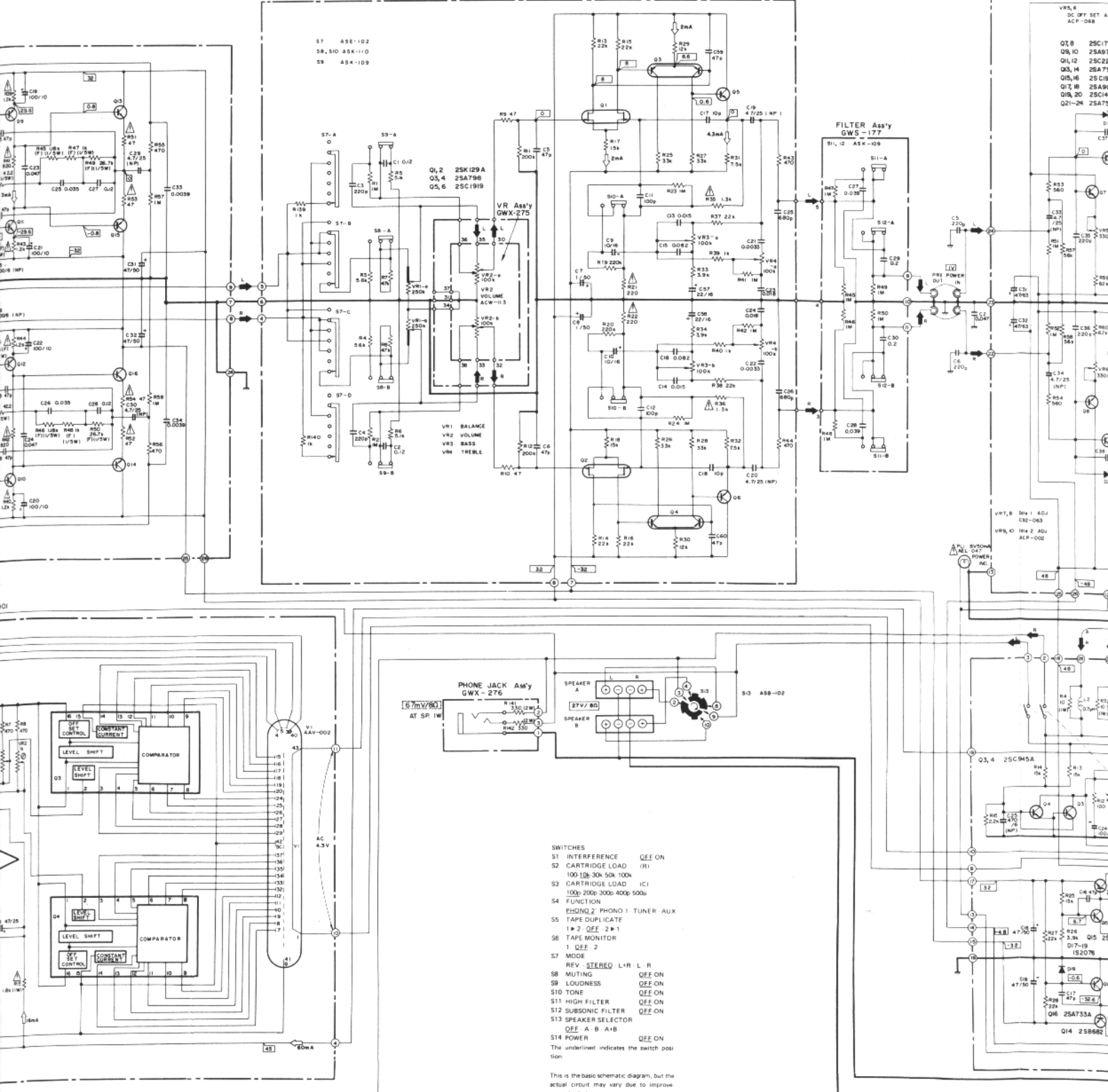
1

2

3

TONE AMP Ass'y GWG-125

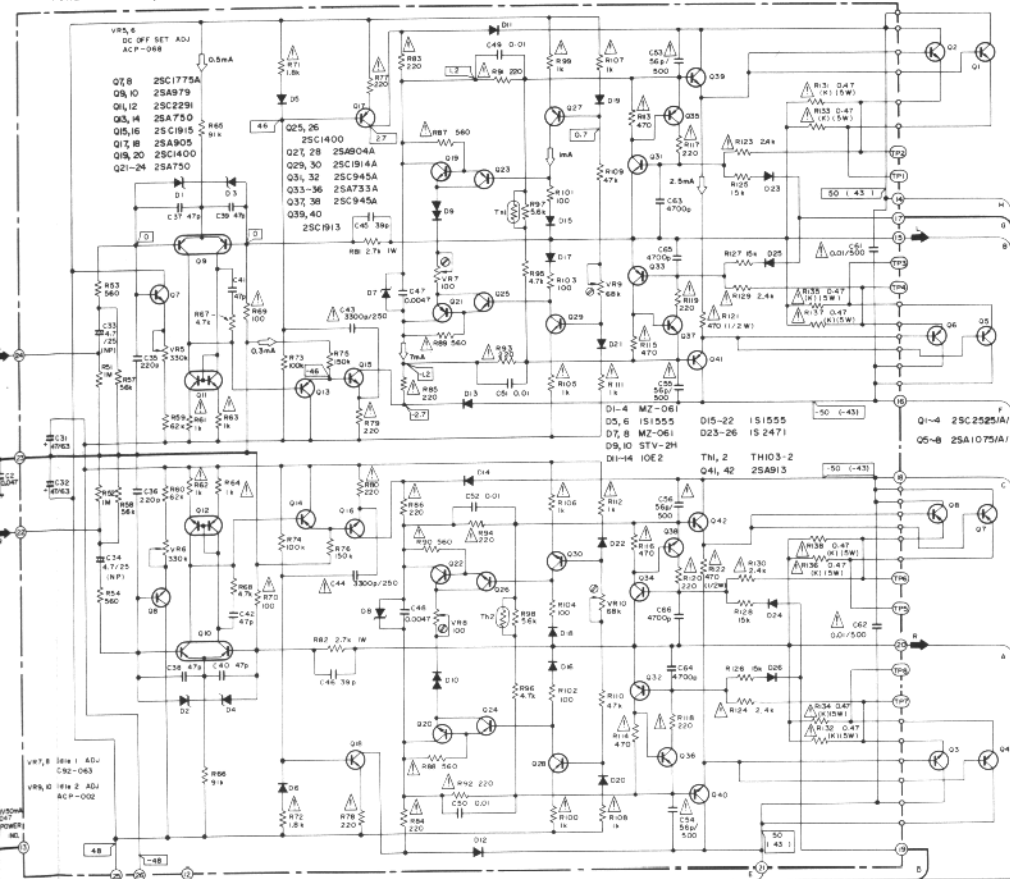
POWER AMP Ass'y G



NOTE:

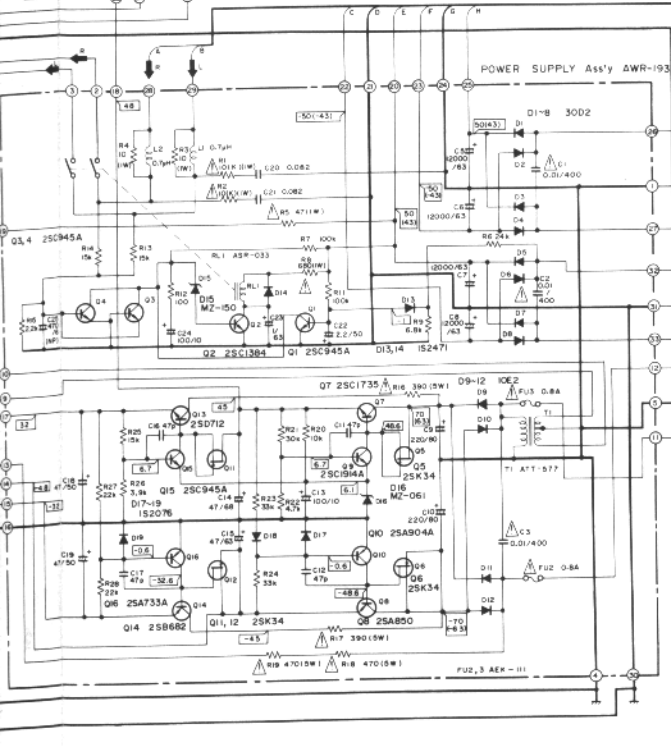
The indicated semiconductors are representative ones only. Other alternative semiconductors may be used and are listed in the parts list.

POWER AMP Assy GWH-124

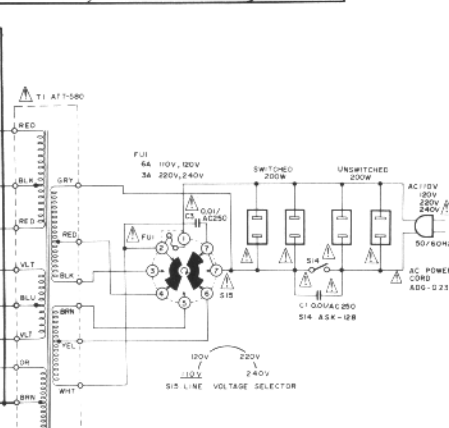


A

B

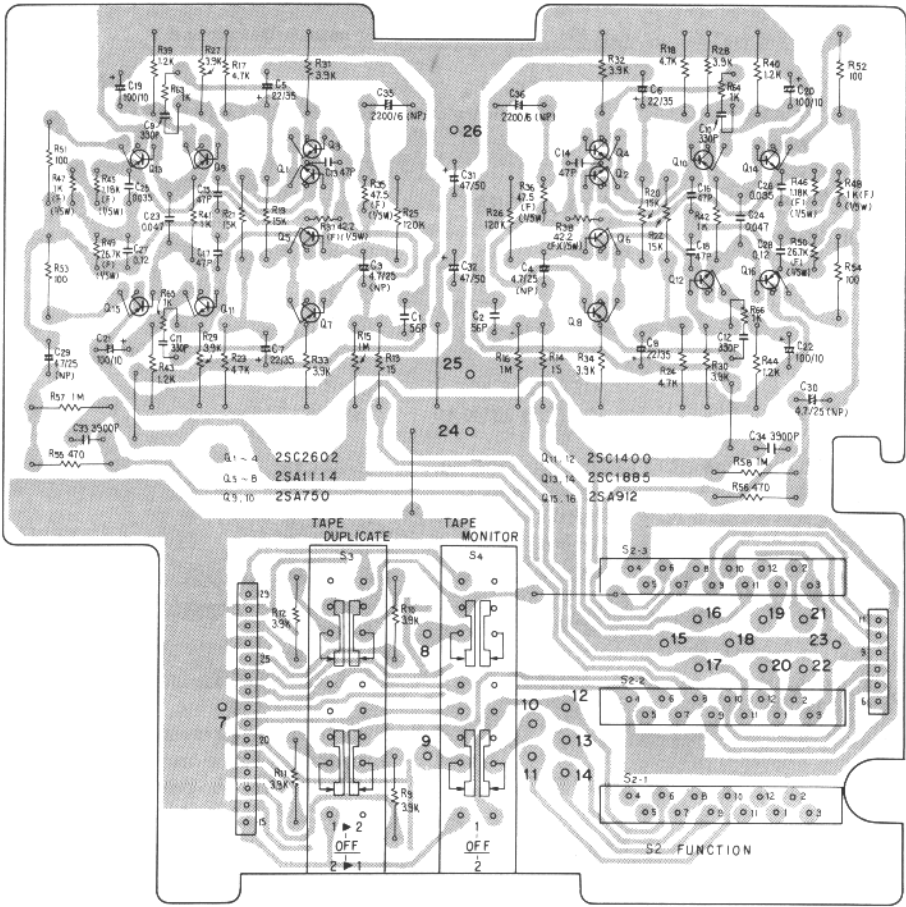


C



D

P.C. BOARDS
EQ Assembly (GWF-119, for KC Type)



Power Supply Assembly (AWR-193, for S and S/G Type)

