

STEREO AMPLIFIER

SA-900

UNIT \ ROUND LABEL	FA	FV	KC	KL		
FM FRONT END						
FM IF UNIT						
MPX UNIT						
AM TUNER UNIT						
MUTING UNIT						
HEAD AMP UNIT	W15-056	W15-056	W15-056	W15-056		
CONTROL AMP UNIT	W15-050	W15-050	W15-050	W15-050		
MAIN AMP UNIT	W23-010	W23-010	W23-010	W23-010		
POWER SUPPLY UNIT	W16-017	W16-017	W16-017	W16-017		
SWITCH UNIT	W15-069	W15-069	W15-069	W15-069		
SWITCH UNIT						
SWITCH UNIT						
TONE COLOR UNIT						
CONTROL UNIT						
MIC AMP UNIT						
FILTER UNIT	W15-059	W15-059	W15-059	W15-059		
REVERBE UNIT						
MC AMP UNIT	W15-058	W15-058	W15-058	W15-058		



POTENTIOMETERS

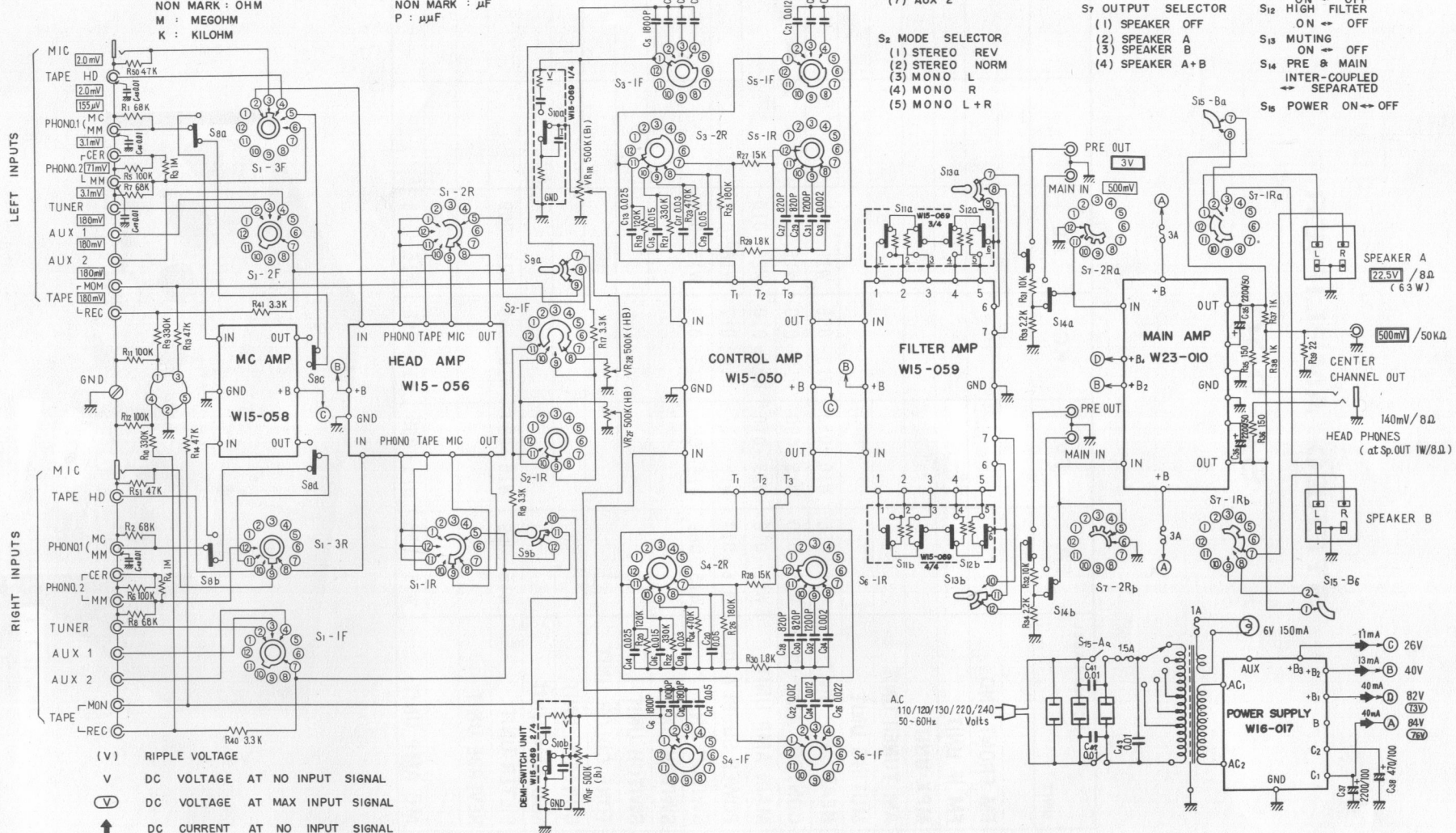
VR₁: MAIN VOLUME
VR₂: BALANCE VOLUME

RESISTORS

NON MARK : OHM
M : MEGOHM
K : KILOHM

CAPACITORS

NON MARK : μF
P : μμF



S₁ INPUT SELECTOR

- (1) MIC
- (2) TAPE HEAD
- (3) PHONO 1
- (4) PHONO 2
- (5) TUNER
- (6) AUX 1
- (7) AUX 2

S₂ MODE SELECTOR

- (1) STEREO REV
- (2) STEREO NORM
- (3) MONO L
- (4) MONO R
- (5) MONO L+R

S₃ BASS CONTROL L

- S₄ BASS CONTROL R
- S₅ TREBLE CONTROL L
- S₆ TREBLE CONTROL R
- S₇ OUTPUT SELECTOR

(1) SPEAKER OFF

- (2) SPEAKER A
- (3) SPEAKER B
- (4) SPEAKER A+B

S₈ PHONO I SELECT

- M C ← M M
- S₉ TAPE MON
- ON ↔ OFF
- S₁₀ LOUDNESS
- ON ↔ OFF
- S₁₁ LOW FILTER
- ON ↔ OFF
- S₁₂ HIGH FILTER
- ON ↔ OFF
- S₁₃ MUTING
- ON ↔ OFF
- S₁₄ PRE & MAIN
- INTER-COUPLED
- ← SEPARATED
- S₁₅ POWER ON ↔ OFF

- (V) RIPPLE VOLTAGE
- V DC VOLTAGE AT NO INPUT SIGNAL
- V DC VOLTAGE AT MAX INPUT SIGNAL
- ↑ DC CURRENT AT NO INPUT SIGNAL
- mV SIGNAL VOLTAGE AT 63W/8Ω (SPEAKER OUT)
- V OUTPUT VOLTAGE AT MAX INPUT SIGNAL

ALL VOLTAGE MEASURED WITH V.T.V.M.

ITEM NO.	VACANT
R ₁ ~ R ₅₁	R _{15,16} R ₄₂₋₄₉
C ₁ ~ C ₄₄	C ₁₋₄ C _{39, C40, C44}

POTENTIOMETERS

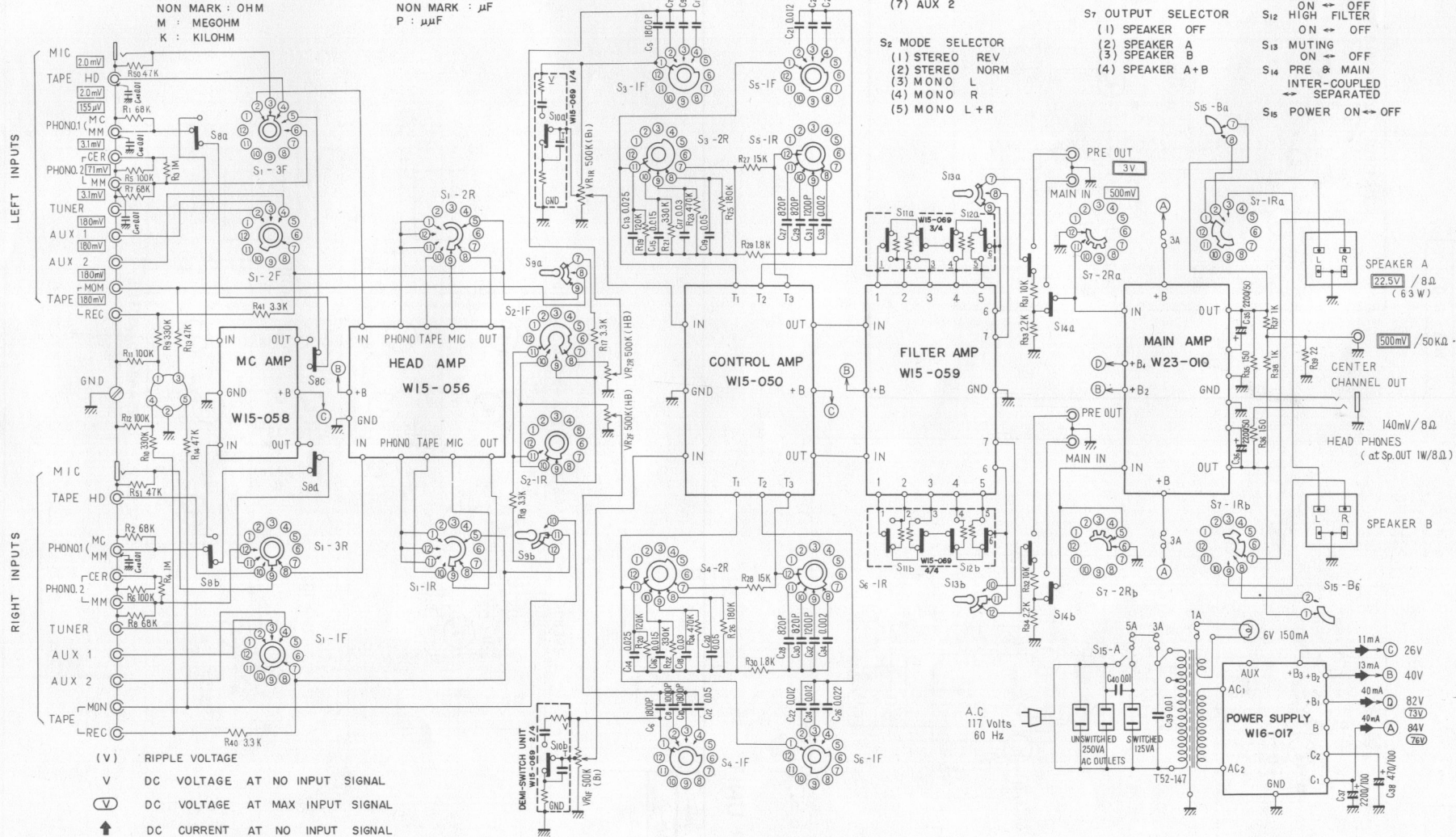
VR₁: MAIN VOLUME
VR₂: BALANCE VOLUME

RESISTORS

NON MARK : OHM
M : MEGOHM
K : KILOHM

CAPACITORS

NON MARK : μF
P : μμF



- (V) RIPPLE VOLTAGE
- V DC VOLTAGE AT NO INPUT SIGNAL
- Ⓢ DC VOLTAGE AT MAX INPUT SIGNAL
- Ⓢ DC CURRENT AT NO INPUT SIGNAL
- mV SIGNAL VOLTAGE AT 63W/8Ω (SPEAKER OUT)
- V OUTPUT VOLTAGE AT MAX INPUT SIGNAL

ALL VOLTAGE MEASURED WITH V.T.V.M.

S₁ INPUT SELECTOR

- (1) MIC
- (2) TAPE HEAD
- (3) PHONO 1
- (4) PHONO 2
- (5) TUNER
- (6) AUX 1
- (7) AUX 2

S₂ MODE SELECTOR

- (1) STEREO REV
- (2) STEREO NORM
- (3) MONO L
- (4) MONO R
- (5) MONO L + R

S₃ BASS CONTROL L

S₄ BASS CONTROL R

S₅ TREBLE CONTROL L

S₆ TREBLE CONTROL R

S₇ OUTPUT SELECTOR

- (1) SPEAKER OFF
- (2) SPEAKER A
- (3) SPEAKER B
- (4) SPEAKER A + B

S₉ PHONO I SELECT

M C ↔ M M

S₉ TAPE MON

ON ↔ OFF

S₁₀ LOUDNESS

ON ↔ OFF

S₁₁ LOW FILTER

ON ↔ OFF

S₁₂ HIGH FILTER

ON ↔ OFF

S₁₃ MUTING

ON ↔ OFF

S₁₄ PRE & MAIN

INTER-COUPLED

↔ SEPARATED

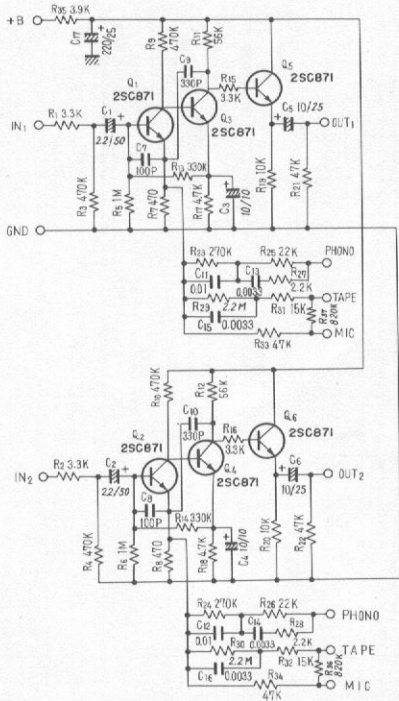
S₁₅ POWER ON ↔ OFF

ITEM NO.	VACANT
R ₁ ~ R ₅₁	R _{15,16} R ₄₂₋₄₉
C ₁ ~ C ₄₄	C ₁₋₄ C _{39, C40, C44}

HEAD AMP UNIT

HEAD AMP UNIT

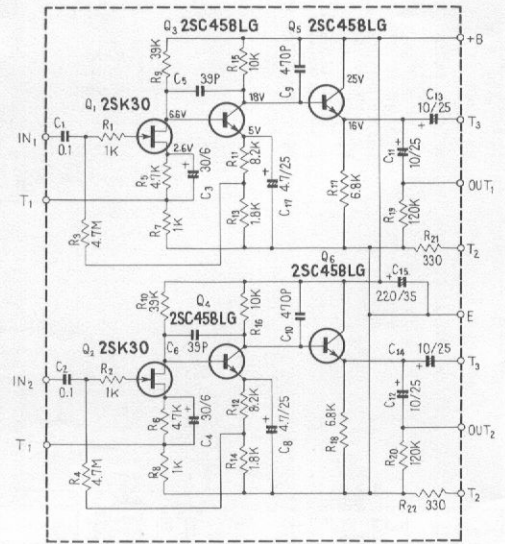
W15-056



CONTROL AMP UNIT

CONTROL AMP UNIT

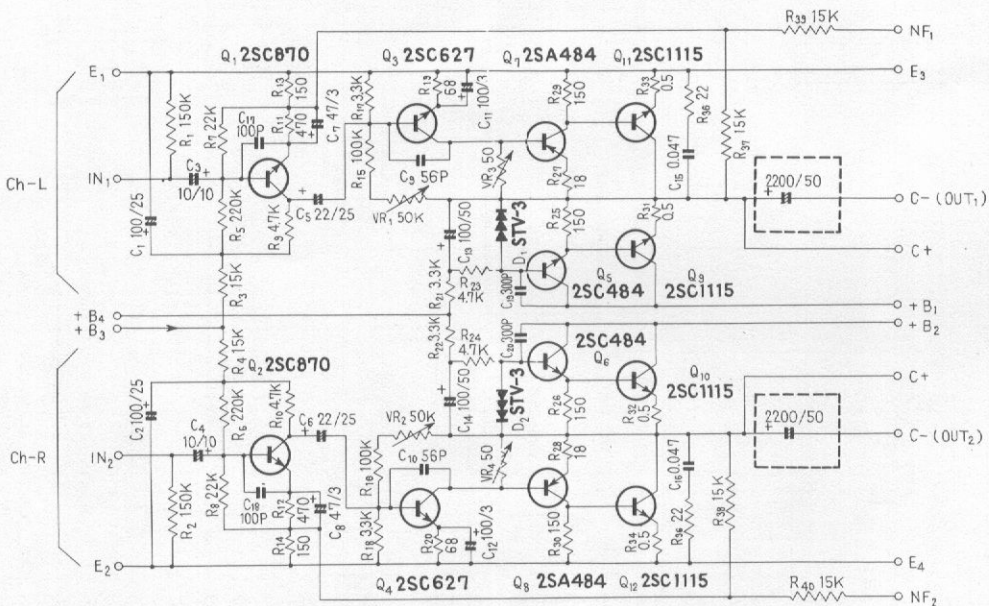
W15-050



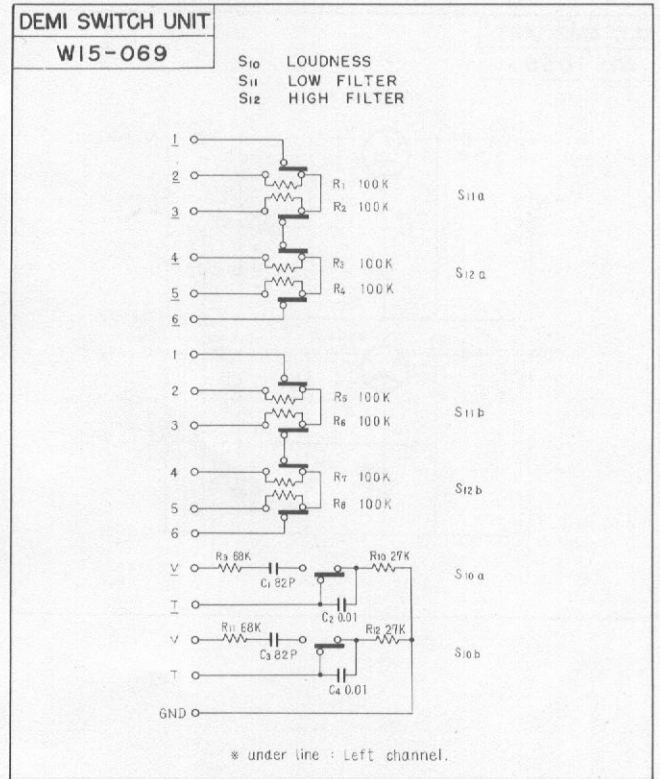
MAIN AMP UNIT

MAIN AMP UNIT

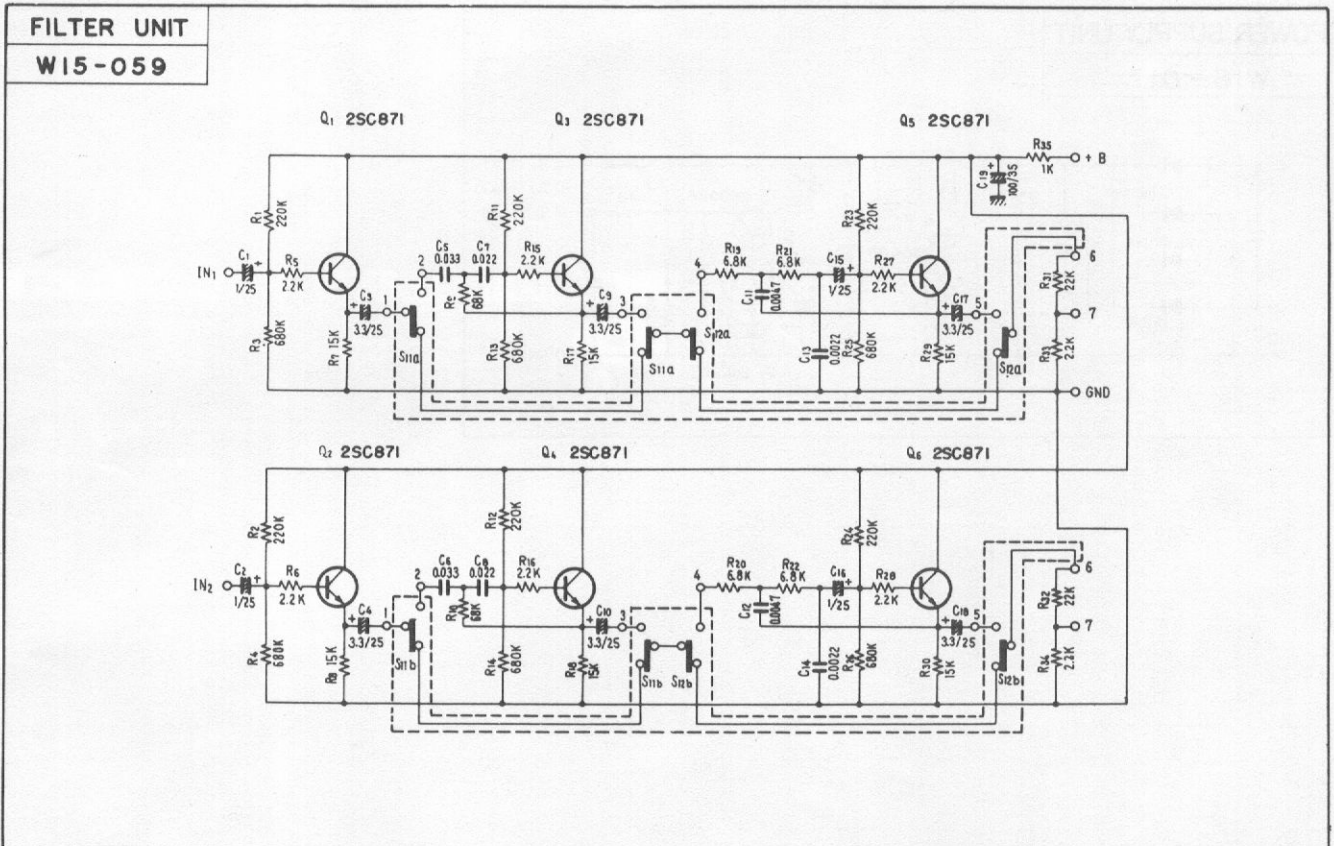
W23-010



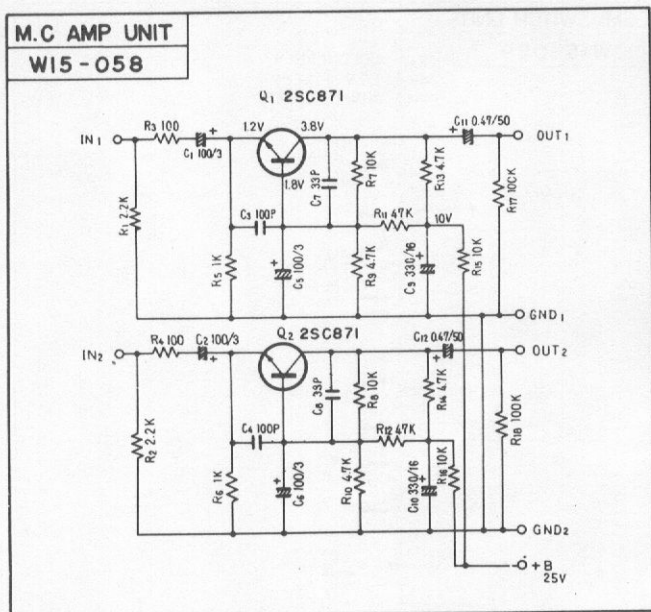
DEMI SWICTH UNIT



FILTER UNIT



MC AMP UNIT



POWER SUPPLY UNIT

