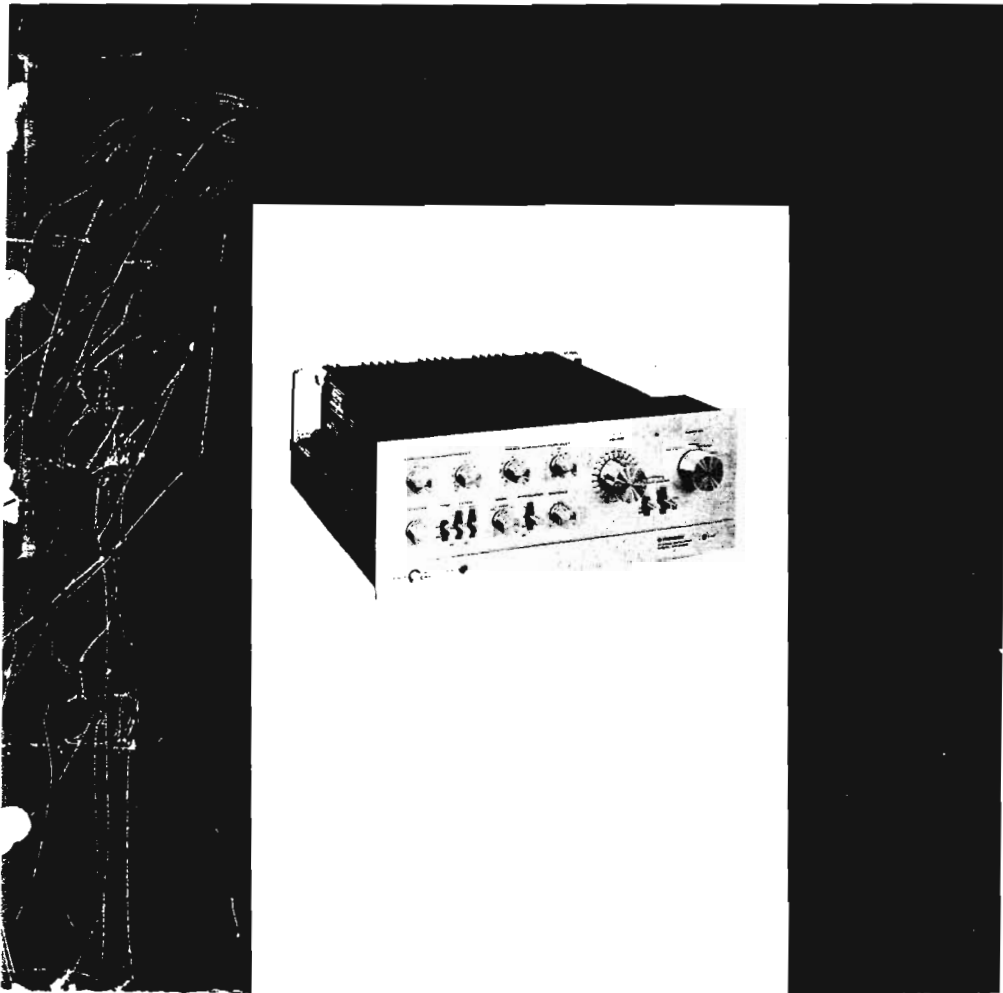


---

STEREO AMPLIFIER  
**SA-9500**  
KCU, D, GN

<ART-124-0>



## CONTENTS

1.	SPECIFICATIONS .....	2
2.	FRONT PANEL FACILITIES .....	3
3.	CONNECTION DIAGRAM .....	5
4.	BLOCK DIAGRAM .....	7
5.	CIRCUIT DESCRIPTION .....	9
6.	LEVEL DIAGRAM .....	13
7.	DISASSEMBLY .....	14
8.	PARTS LOCATIONS .....	20
9.	ADJUSTING PROCEDURES .....	26
10.	EXPLODED VIEW .....	28
11.	SCHMATIC DIAGRAMS, P.C. BOARD PATTERNS AND PARTS LIST	
11.1	Schematic Diagrams and Miscellaneous Parts .....	44
11.2	Volume Assembly (AWX-073) .....	53
11.3	Input Circuit Assembly (AWK-039) .....	54
11.4	Switch Circuit Assembly (AWS-082) .....	58
11.5	Control Amplifier Assembly (AWG-032) .....	62
11.6	Fuse Assembly (AWX-088) , (AWX-085) or (AWX-086) .....	67
11.7	Power Amplifier Assembly (AWH-041) .....	68
11.8	Protection Circuit Assembly (AWM-074) .....	73
11.9	Power Supply Circuit Assembly-2 (AWR-075) or (AWR-090) .....	76
11.10	Power Supply Circuit Assembly-1 (AWR-074) or (AWR-089) .....	79
12.	PACKING .....	80
13.	PARTS LIST OF EXPLODED VIEW .....	81

**NOTE:**

THE MODEL SA-9500 COMES IN THREE VERSIONS DISTINGUISHED AS FOLLOWS:

Round label on rear panel	Voltage	Type
KCU	120V only	UL (U.S.A.), CSA (Canada) approved.
D	120V, 220V, and 240V (switchable)	General export model.
GN	220V only	SEMKO (Sweden), DEMKO (Denmark), NEMKO (Norway) and EI (Finland) approved.

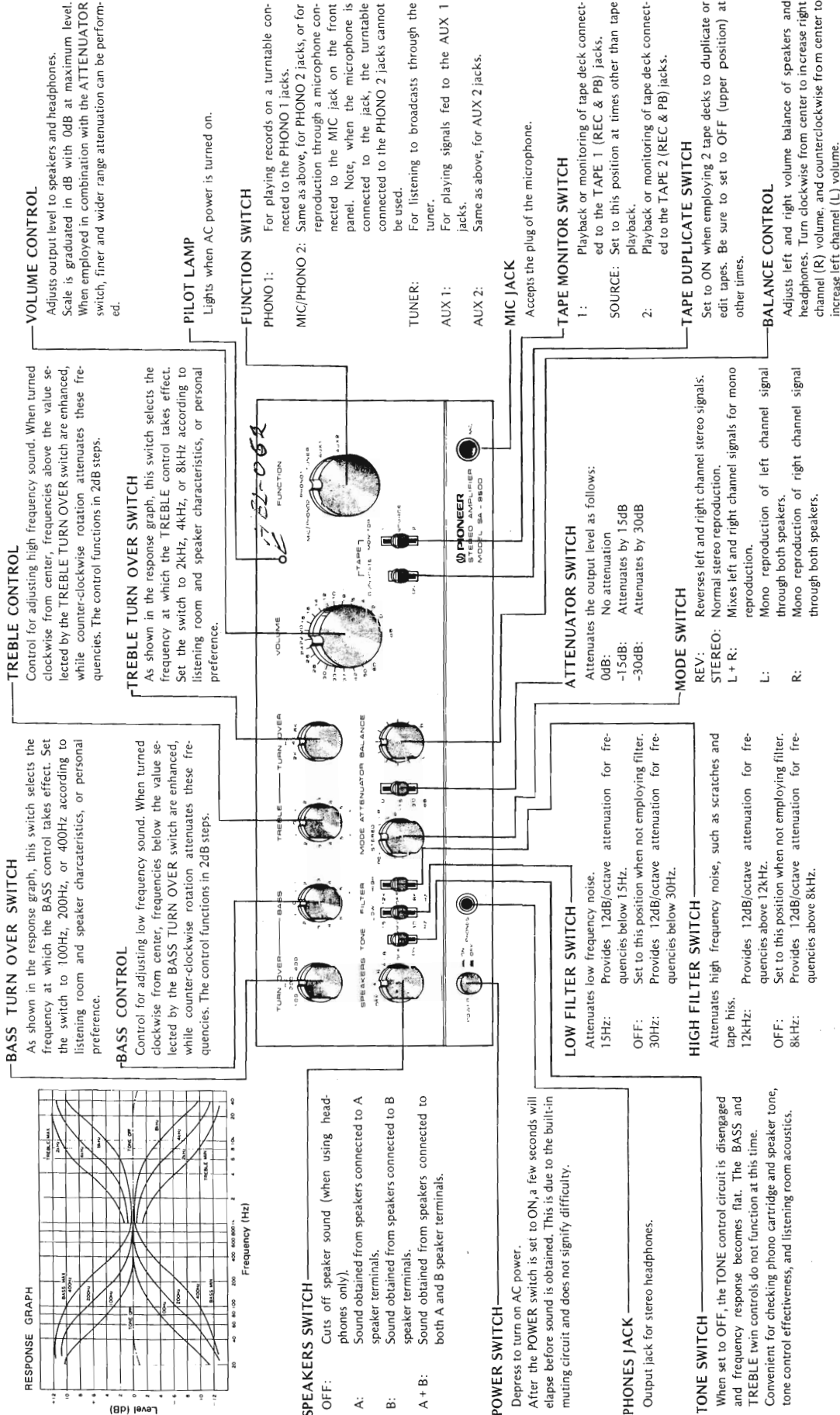
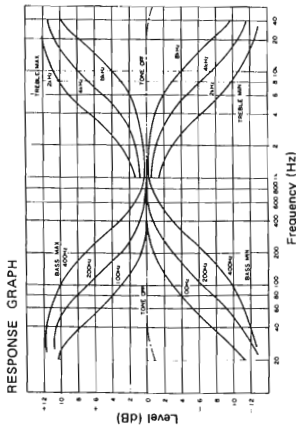
# 1. SPECIFICATIONS

<b>Semiconductors</b>	
FET(s) . . . . .	2
Transistors . . . . .	54
Diodes . . . . .	26
<b>Power Amplifier Section</b>	
Circuitry . . . . . 1st stage differential amplifiers. Parallel push-pull, direct coupled OCL.	
<b>Continuous Power Output</b>	
from 20 Hertz to 20,000 Hertz	
(Both channels driven) . . . . .	80 watts per channel (8 ohms)
at 1,000 Hertz . . . . .	100 watts per channel (4 ohms)
(Both channels driven) . . . . .	85 watts per channel (8 ohms)
at 1,000 Hertz . . . . .	110 watts per channel (4 ohms)
<b>Total Harmonic Distortion at 20 Hertz to 20,000 Hertz</b>	
(Continuous Rated Power Output) . . . . .	No more than 0.1%
(40 watts per channel Power Output, 8 ohms) . . . . .	No more than 0.05%
(1 watt per channel Power Output, 8 ohms) . . . . .	No more than 0.05%
<b>Intermodulation Distortion at 20 Hertz to 20,000 Hertz</b>	
(Continuous Rated Power Output) . . . . .	No more than 0.1%
(40 watts per channel Power Output, 8 ohms) . . . . .	No more than 0.05%
(1 watt per channel Power Output, 8 ohms) . . . . .	No more than 0.05%
Frequency Response . . . . .	10 Hertz to 80,000 Hertz $\pm 1$ dB
<b>Input: Sensitivity/Impedance</b>	
(POWER AMP IN) . . . . .	1V/50 k ohms
<b>Output: Speaker</b>	
Headphone . . . . .	Low Impedance
Damping Factor (20 Hertz to 20,000 Hertz, 8 ohms) . . . . .	30
Hum & Noise (IHF, Short-circuited, A Network) . . . . .	100dB
<b>Preamplifier Section</b>	
Circuitry	
Equalizer amplifier . . . . .	3-stage direct-coupled class-A SEPP type with 1st stage differential amplifier.
Control amplifier . . . . .	2-stage direct-coupled with one FET, NFB type.
<b>Input: Sensitivity/Impedance</b>	
PHONO 1 . . . . .	2.5mV/50 k ohms
PHONO 2 . . . . .	2.5mV to 10mV/35 k ohms, 50 k ohms, 70 k ohm, 100 k ohms
MIC . . . . .	6mV to 24mV/85 k ohms
TUNER . . . . .	150mV/50 k ohms
AUX 1 . . . . .	150mV/50 k ohms
AUX 2 . . . . .	150mV/50 k ohms
TAPE PB 1 . . . . .	150mV/50 k ohms
TAPE PB 2 . . . . .	150mV/50 k ohms
<b>PHONO Overload Level (T.H.D. 0.01%)</b>	
PHONO 1 . . . . .	250mV (1,000 Hertz)
PHONO 2 . . . . .	250mV to 500mV (1,000 Hertz)
<b>Output: Level/Impedance</b>	
TAPE REC 1 . . . . .	150mV
TAPE REC 2 . . . . .	150mV
PRE OUT . . . . .	2V/1 k ohms

<b>Total Harmonic Distortion at 20 Hertz to 20,000 Hertz</b>	
PHONO (RIAA equalization) . . . . .	No more than 0.05%
<b>Frequency Response</b>	
TUNER, AUX, TAPE PB . . . . .	7 Hertz to 40,000 Hertz $\pm 1$ dB
<b>Tone Control (2dB step)</b>	
BASS . . . . .	$\pm 10$ dB (25 Hertz/50 Hertz/100 Hertz (Turnover Frequency) 100 Hertz/200 Hertz/400 Hertz)
TREBLE . . . . .	$\pm 10$ dB (8,000 Hertz/16,000 Hertz/32,000 Hertz (Turnover Frequency) 2,000 Hertz/4,000 Hertz/8,000 Hertz)
<b>Filter</b>	
LOW . . . . .	15 Hertz, 30 Hertz (12dB/oct.)
HIGH . . . . .	8,000 Hertz, 12,000 Hertz (12dB/oct.)
<b>Hum &amp; Noise (IHF, Short circuited, A Network)</b>	
PHONO 1 & 2 . . . . .	More than 70dB
MIC . . . . .	More than 65dB
TUNER, AUX 1 & 2, TAPE PB 1 & 2 . . . . .	More than 90dB
Attenuator . . . . .	0, -15dB, -30dB
<b>Miscellaneous</b>	
<b>Power Requirements</b> . . . . . AC 120V 60Hertz or 220V 50/60 Hertz or 120, 220 and 240V (Switchable) 50/60 Hertz	
<b>Power Consumption</b> . . . . . 370W(120V model only) or 310W	
<b>AC Outlets</b> . . . . . 2 (Switched), 1 (Unswitched)	
<b>Dimensions</b> . . . . . 420 (W) x 165 (H) x 403 (D) mm	
. . . . . 16-1/2 x 6-1/2 x 15-7/8 in.	
<b>Weight: Without Package</b> . . . . . 17.2kg (37lb 13oz)	
<b>With Package</b> . . . . . 20kg (44lb)	
<b>Furnished Parts</b>	
Hex. Wrench (used for fastening VOLUME knob) . . . . .	1
Jack covers (input, output) . . . . .	22
AC outlet covers (3-line voltage model only) . . . . .	3
Fuse 6A . . . . .	1
Fuses 3A . . . . .	2 (3-line voltage model only)
Connection Cord with Pin Plugs . . . . .	1
Factory Tested Data . . . . .	1
Operating Instructions . . . . .	1

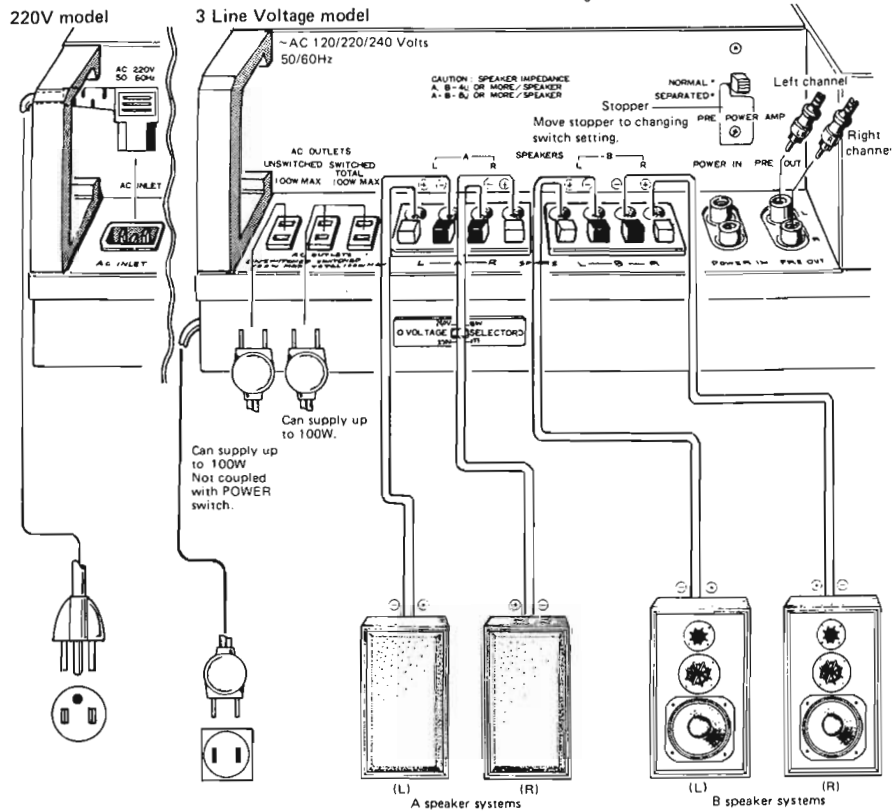
**NOTE:**  
Specifications and the design subject to possible modification without notice due to improvements.

## 2. FRONT PANEL FACILITIES



### 3. CONNECTION DIAGRAM

NOTE:  
Line voltage selector is not equipped in 120V model.

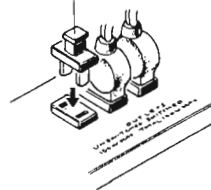


#### Cautions When Connecting

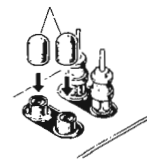
- Observe both the channels and polarities of the inputs and outputs of the components connected to the SA-9500. Be sure to connect L to L, R to R, + to +, and - to -.
- Make all connections securely.  
Loose connections can cause absence of sound or noise.

Install furnished covers on unused AC outlets, and input and output to protect from dust.

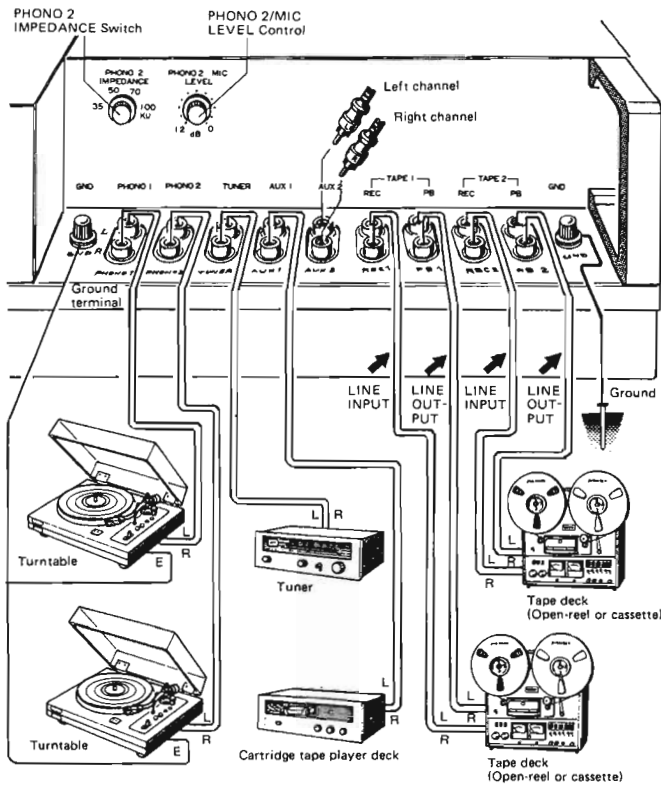
AC outlet covers



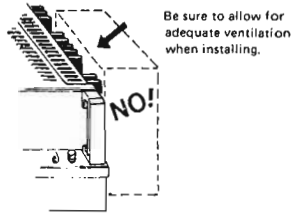
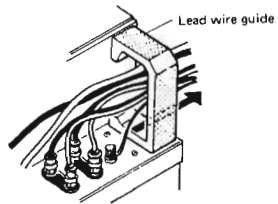
Jack covers



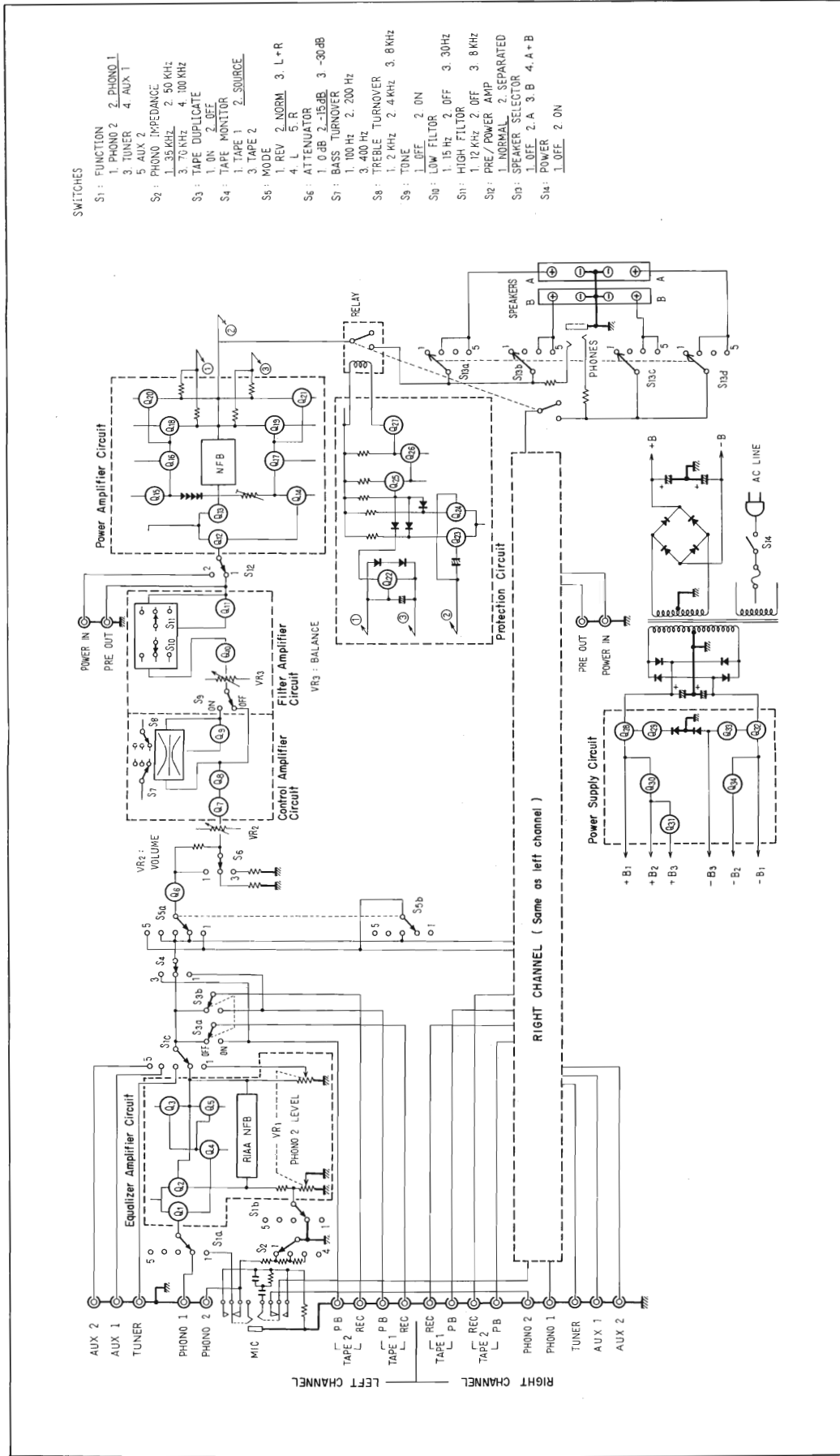
ADV-146



Get connecting cords through lead wire guide.



4. BLOCK DIAGRAM



## 5. CIRCUIT DESCRIPTION

The SA-9500 is a 2-channel integrated stereo amplifier.

The descriptions given here refer mainly to the left channel. Please refer to the block diagram on pages 7 to 8.

### EQUALIZER AMPLIFIER CIRCUIT (Q1 - Q5)

This is a three stage, direct-coupled NFB (negative feedback) type consisting of five transistors; employing a differential amplifier in the first stage and a SEPP (single ended push-pull) in the final stage.

By using the differential amplifier in the first stage, the DC feedback becomes 100% thus considerably improving the stability of the direct current. This produces very low noise and very small distortion so that there can be a large AC feedback—regardless of the high-gain circuit.

In addition, the SEPP circuit at the final stage can effectively utilize the voltage of the power source, and produce a high output of small distortion, while at the same time the overload level and the dynamic margin are both increased.

The equalizer amplifier circuit is shown in Fig. 1. Signals, from the PHONO input terminal, are fed to the differential amplifiers Q1, Q2, through R1. R1 is the resistance which determines the input impedance of the PHONO terminal. Without R1 the input impedance of the circuit, is designed to be 125k $\Omega$ . By selecting R1 as 48.6k $\Omega$ , 131k $\Omega$ , 291k $\Omega$  or 791k $\Omega$ , the input impedance of this circuit can be set to 35k $\Omega$ , 50k $\Omega$ , 70k $\Omega$  or 100k $\Omega$  respectively.

Signals amplified by Q1 are further amplified by the class-A SEPP circuit, consisting of Q4 and Q5.

Due to the boot-strap circuits of R9, R10 and C7, inserted in the load to Q3, the AC load impedance and the voltage gain are both enlarged. The NFB is applied from the output to the base of Q2.

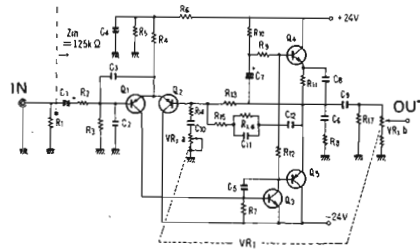
The entire DC feedback is applied through R13, and the level of the NFB of AC is determined by C12, R16, C11, R15, C10 and VR1a.

The NFB element of this AC provides the frequency selectivity and the RIAA regenerative compensation characteristic. Stable RIAA equalization is achieved by metal film resistors R13, R14 and R16, having an error of no more than 1%, combined with high accuracy polystyrene film capacitors C11 and C12 with a tolerance of 2%, which provide high reliability and fidelity, and are not affected by temperature variations or ageing.

When the function switch is turned to PHONO 2, the gain of the equalizer amplifier can be adjusted. The variable range is 0 - -12dB. 6dB out of this range results from changing the level of AC NFB by means of VR1a, which is inserted in the NFB element in series with R14. The remaining 6dB's are controlled by VR1b in the output circuit. The adjustment of gain by changing the level of the NFB is an effective method for raising the overload level.

Moreover, the adjustment of gain in the output circuit is an effective method of increasing the SN ratio. By combining their methods, a low distortion factor is also obtained with a cartridge having a high output voltage.

	PHONO 1	PHONO 2
R1	82k $\Omega$	48.6k $\Omega$ 131.9k $\Omega$ 291k $\Omega$ 791k $\Omega$



Circuit Diagram of Equalizer Amplifier Fig. 1



### CONTROL AMPLIFIER CIRCUIT (Q7 - Q9)

The control amplifier circuit of the SA-9500 is the NFB type, using a FET (field effect transistor) in the first stage.

The FET amplifier being a controllable voltage type, which holds the input impedance constant, even if the level of the NFB changes, and has additional advantage as a coupled circuit, as the input impedance can be raised, as shown in Fig. 2.

#### 1. Low Frequency Control

The low frequency control circuit is shown in Fig. 3-a, and the equivalent circuit, when boosting low frequency, is shown in Fig. 3-b.

As the parallel impedance of VR1 and C11, in Fig. 3-b, is high at low frequency, the volume of the NFB decreases and the gain in the low frequency range increases.

The equivalent circuit, when cutting out low frequencies, is shown in Fig. 3-c. In this case, the input signal is applied to Q9, through the parallel impedance of VR1 and C10, which is high in the low frequency range and suppresses the lower frequency signals.

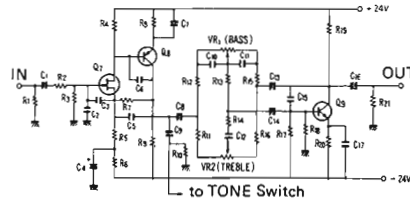
#### 2. High Frequency Control

The high frequency control circuit is shown in Fig. 4-a, and the equivalent circuit, when boosting high frequencies, is shown in Fig. 4-b.

In this circuit, the input signal is applied to Q9 through the parallel impedance circuit. This impedance is small in the high frequency range and produces a signal with an enhanced high range. Fig. 4-c shows the equivalent circuit when cutting out high frequencies. As the impedance of R13, R15 and C12 of the circuit becomes small, the level of the NFB increases and the gain of the circuit decreases.

#### 3. Adjustment of Turnover Frequency

Turnover frequency is adjusted by selecting C10 and C11 as shown in Fig. 3-a, using the TURN-OVER switch. By changing the values of C10 and C11, the time constants of the input circuit and the NFB are altered and the upper and lower limits of the low frequency curves are adjusted. In the case of the high frequency, by changing C12, as shown in Fig. 4-a, the upper and lower limits of the high frequency are also controlled.



Circuit Diagram of Control Amplifier Fig. 2

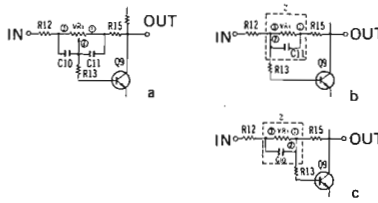


Fig. 3

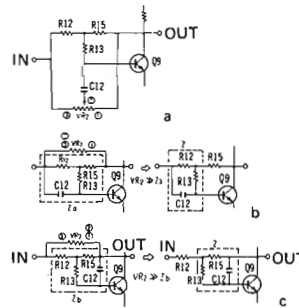
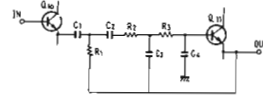


Fig. 4

**FILTER CIRCUIT (Q10, Q11)**

The circuit shown in Fig. 5 has a steep characteristic of 12dB/oct, and is effective in removing noise. The low cutout filter can be switched to the three positions of 15Hz, OFF and 30Hz. Change-over of this cut-off frequency is achieved by changing over C1 and C2. The high cutout filter can be switched to the three positions of 12kHz, OFF and 8kHz, and this is achieved by the change-over of C3 and C4.



Circuit Diagram of Filter Amplifier

Fig. 5

**POWER AMPLIFIER (Q12 - Q21)**

The power amplifier of the SA-9500, is a direct-coupled, pure complementary parallel push pull circuit, which uses a differential amplifier stage and a constant current circuit, consisting of 10 transistors.

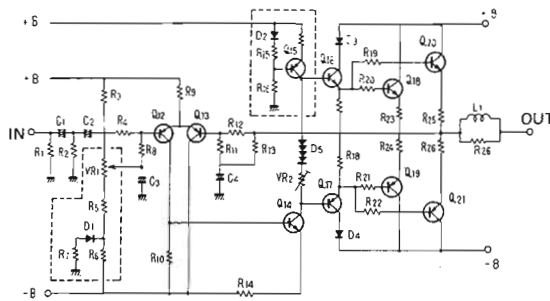
The power amplifier circuit is shown in Fig. 6.

Q12 and Q13, in the first stage, form a differential amplifier to stabilize the output mid-point potential and amplify the input signal. As the potential on the base of Q12 becomes the standard potential, the bias stabilization circuit is provided by D1, R5, R6, R7 and VR1, to be used in the base circuit of Q12. D1 is used to compensate for temperature, while VR1 is used to adjust the output junction point potential. The signal amplified by the differential amplifier is fed to Q14. The load of Q14 becomes a constant current circuit by Q15.

By using the constant current circuit for the load of Q14, the collector current of Q14 can be designed to be small to improve noise characteristics. Moreover, the AC load becomes extremely large. Accordingly, a large gain is obtainable. The output of Q14 drives the output circuit after Q16 and Q17. The NFB is applied to the base of Q13 by R11, R12, R13 and C4. The entire DC is also applied to the base of Q13 through R11, R12 and R13. Thus, stabilization of the output potential is secured. The AC NFB is determined by the split circuit of R12 and R11 to improve the characteristics.

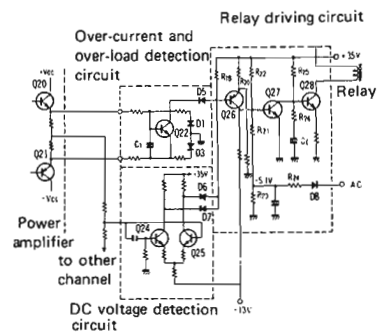
**PROTECTION CIRCUIT (Q22 - Q27)**

This protection circuit functions to protect the speakers from damage due to short-circuit of the load, etc, and performs a muting operation to cut noise and distortion which occur when switching the power on and off. The circuit is



Circuit Diagram of Power Amplifier

Fig. 6



Circuit Diagram of Protection Circuit

Fig. 7

shown in Fig. 7, and consists of a bridge type over-current and overload detector, a differential amplifier DC voltage detector, and a power switch ON/OFF detector section.

### 1. Relay Driving Circuit

Q26 – Q28, in Fig. 7, comprise the relay driving circuit.

In the normal condition reverse bias is applied to the base of Q26, and Q26 is in a cutout condition. When one of the above mentioned detection circuits goes on, current flows through R18, the base potential falls and Q26 is turned on. Consequently Q27 comes on and Q28 goes off. When Q28 goes off, the current of the relay circuit is cut, to release the switch of the output circuit.

When the power switch is turned on, a delay operation occurs in this circuit. R25, R26 and C6, in the base circuit of Q28, are the time constant elements which determine the delay time. When the power switch is switched on, C6 charges to a potential of +35 volts through R25 and R26, and Q28 is kept in the OFF condition during this time. When the power source is switched off the muting operation of Q27 prevents shock noise. In the normal condition, the potentials of +35 volts and -5.1 volts are applied to Q27 through R21 and R22. The resultant potential at the base of Q27 is -1 volt in the cutout condition. When the power supply is turned off, the potential of -5.1 volts disappears immediately, due to the small time constant of the power circuit. Thus a positive base potential remains, switching Q27 on, which in turn switches off Q28 and hence the relay.

### 2. Over-current and Overload Detection

The equivalent circuit of this detector section is shown in Fig. 8-a, and Fig. 8-b shows the equivalent circuit at the time of a positive half cycle. When this equivalent circuit is overloaded, the balance of the bridge, formed by RE1, R1, R5 and RL, is disturbed, and a potential is produced between b and a in such a direction that Q22 is turned on. When Q22 is turned on, the collector current increases, the relay driving circuit functions and the relay switch of the output circuit is turned off.

After the cause of the overload is removed, the bias of Q22 is reduced and the relay switch turns on to automatically restore normal operation, Fig. 8-c shows the equivalent circuit at the time of a negative half cycle. In this circuit a potential is produced between b and e as above, and Q22 is turned on.

### 3. Detection of DC Voltage

This is a differential amplifier consisting of Q24 and Q25, as shown in Fig. 9. The bases of Q24 and Q25 are connected to the junction-points of

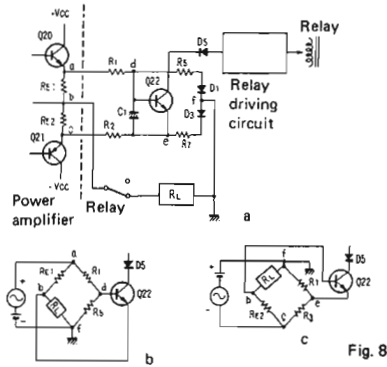


Fig. 8

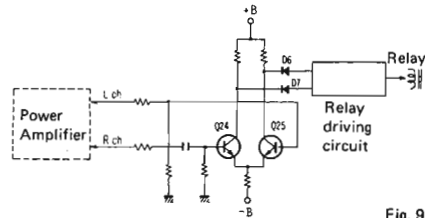


Fig. 9

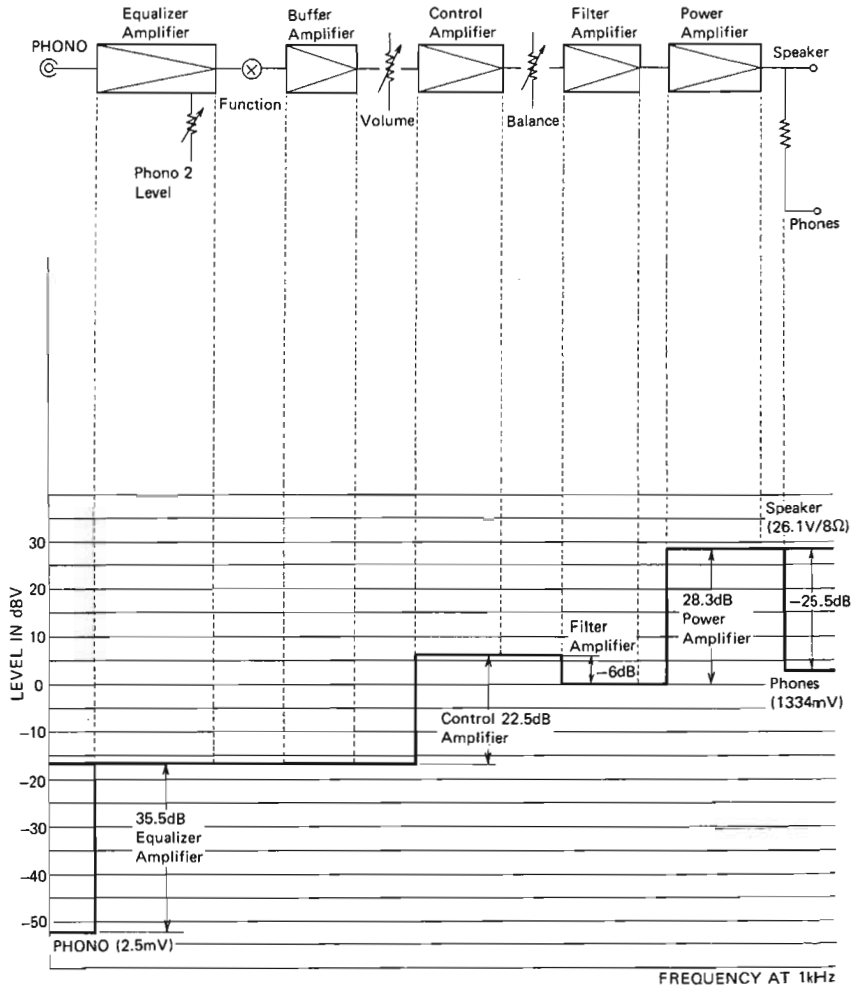
the right and the left power amplifiers. When the DC balance of the power stage is lost for some reason, a potential difference is produced in the input signal to the differential amplifier, and the collector currents of Q24 and Q25 are put out of balance. Thus, the relay driving circuit functions, and the relay switch is turned off.

### POWER SUPPLY CIRCUIT (Q28 – Q34)

The SA-9500 uses a balanced power supply with a built-in constant potential circuit. Apart from the stage of the pre-driver, all other parts are in constant potential condition. Therefore, not only is operating stability superior, but it is useful in reducing the remaining noise.

The power source, after the pre-driver stage of the amplifier circuit, is provided by the bridge rectifier circuit and the 18,000 $\mu$ F capacitor.

### 6. LEVEL DIAGRAM



---

## 7. DISASSEMBLY

### Disassembly Cautions

- (1) Great care should be taken in handling the SA-9500 since it is very heavy and the front panel and heat sink fins are exposed.
- (2) When replacing components, be sure to disassemble them in the correct order and to identify the disassembly positions.
- (3) Most of the printed circuit boards cannot be checked unless they are removed from the chassis. When removing them, great care should be taken not to touch them against any other components nor to short any circuit.
- (4) Do not exert excessive force on the side panel stays as they may be bent.
- (5) There are many screws of different types. It is recommended therefore that you make a note of the positions from which they are removed.

### Removing the Top Cover

Unscrew the six screws (A) on the top cover. Lift up the top cover.

### Removing the Front Shield Cover

After removing the top cover, unscrew the two screws (B) on the front shield cover. Lift up the front shield cover.

### Removing the Front Panel

Remove all front panel knobs (C) except the POWER switch knob. For the VOLUME control knob, loosen the set screws with a hexagonal wrench before removing it. Remove the BASS TURNOVER, SPEAKERS, and FUNCTION switch shaft nuts and washers. The front panel is ready for removal.

### Removing the Bottom Plate

Stand the main body with the heat sink down. Unscrew the ten (10) screws (D). Remove the bottom plate.

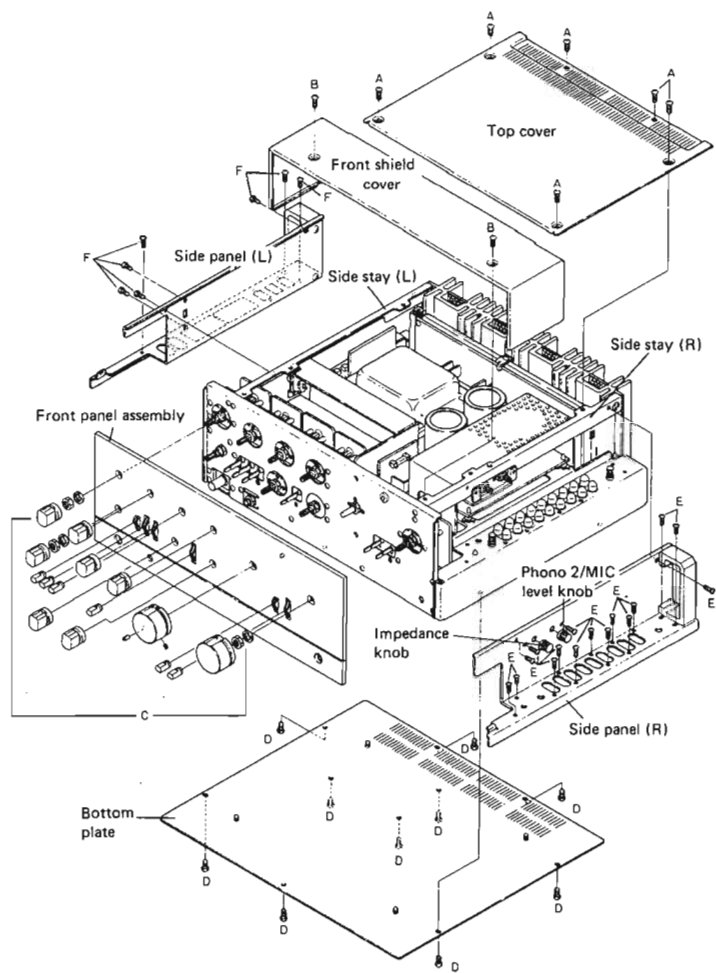
### Removing the Side Panel (R) (input terminal side)

After removing the top cover and front shield cover, pull out the PHONO 2/MIC LEVEL and IMPEDANCE control knobs. Unscrew the sixteen screws (E). Remove the side panel (R).

### Removing the Side Panel (L) (output terminal side)

After removing the top cover and front shield cover, unscrew the seven screws (F). Remove the side panel (L).

SA-9500



**Removing the Protection Circuit Assembly (Fig. 10)**

- (1) Remove the top cover, front shield cover, bottom plate, and left side panel.
- (2) Unscrew the two screws (A) mounting the printed circuit board fixing brackets on the chassis. This permits the printed circuit board to be inclined to an angle depending on the length of the lead wires.

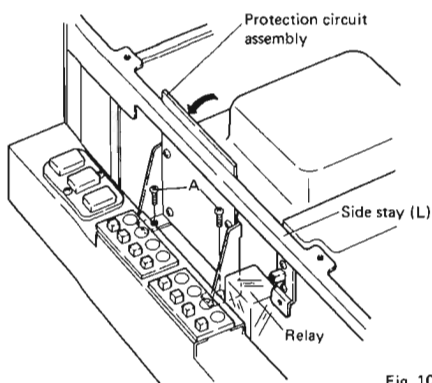


Fig. 10

**Removing the Power Amplifier Assembly (Fig. 11)**

- (1) After the top cover and bottom plate have been removed, the power amplifier can be adjusted.
- (2) The power transistors can be replaced by pulling the transistor covers out of the heat sink guides and unscrewing their two screws (B).
- (3) Unscrew the varistor fixing screw at the upper part of the center of the heat sink. Remove the varistor.
- (4) Stand the main body on the bottom plate so it is not touching the bench. Unscrew the eight screws (C) at both sides of the heat sink. This allows the power amplifier printed circuit board to be turned forward.
- (5) Unscrew the four printed circuit board fixing screws (D) and screws (A) and (B). This allows the printed circuit board to be removed from the heat sink. After this has been done amplifier can be checked.

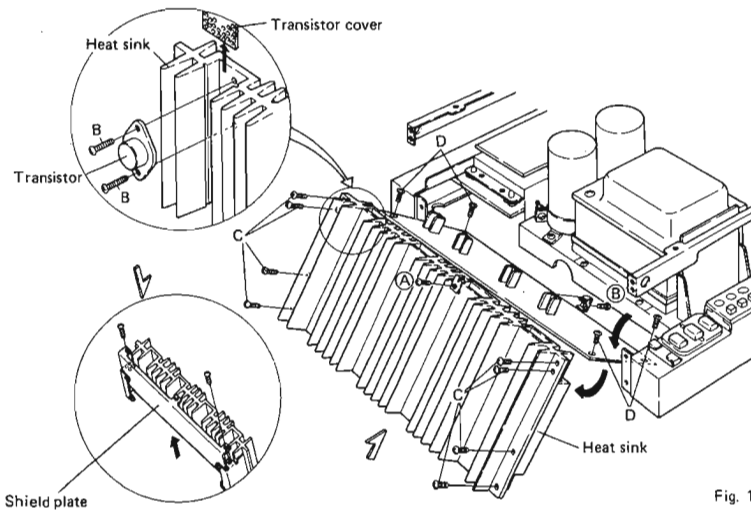


Fig. 11

**Removing the Power Supply Circuit Assembly-1  
(Fig. 12)**

- (1) Remove the top cover, front shield cover, and bottom plate. This allows the 1A protection fuse (FU<sub>4</sub>) in the pilot lamp system to be replaced.
- (2) Unscrew the two screws (E) which mount the printed circuit board on the chassis. This allows the printed circuit board to be moved, though the distance is limited by the length of its lead wire.

**Removing the Power Supply Circuit Assembly-2  
(Fig. 12)**

- (1) Remove the top cover, front shield cover, and right side panel.
- (2) Unscrew the four screws (F) which mount the shield case on the chassis.
- (3) Be careful not to touch the volume assembly against any other part.
- (4) Pull up the power supply circuit assembly-2 from the bosses.

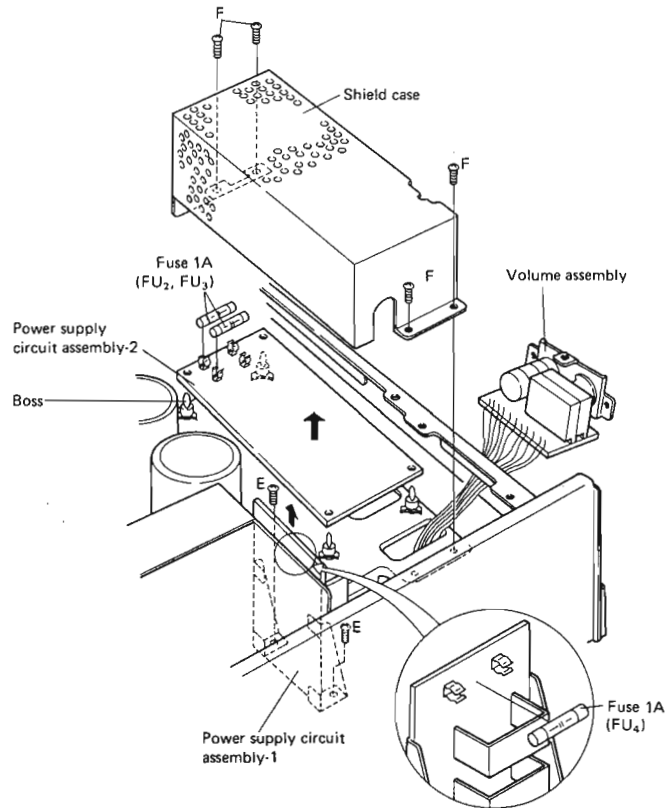


Fig. 12



**Removing the Control Amplifier Assembly,  
Switch Circuit Assembly (Fig. 13)**

- (1) Remove the top cover, front shield cover, front panel, and left side panel.
- (2) Unscrew the three screws (G) which mount the control amplifier assembly shield plate on the chassis. Pull up the shield plate.
- (3) Unscrew the heat sink top screws (H) and two panel stay screws (I). Remove the left side stay.
- (4) Unscrew the five screws (J) of the panel stay. Remove the control amplifier assembly by moving it forward.
- (5) Unscrew the twenty-seven screws of the panel stay and PHONES jack, SPEAKERS selector switch shaft and VOLUME control shaft nuts and washers. Remove the switch circuit assembly by inclining the panel stay.

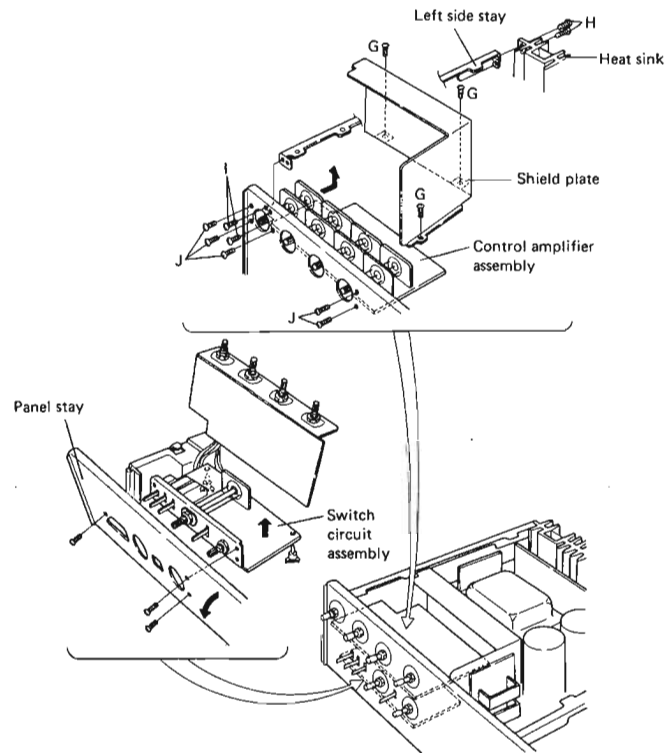


Fig. 13

**Removing the Input Circuit Assembly (Fig. 14)**

The PHONO jacks, TAPE MONITOR and DUPLICATE lever switches, and FUNCTION rotary switch are installed on the input circuit assembly printed circuit board.

- (1) Remove the top cover, front shield cover, front panel, bottom plate, and right side panel.
- (2) Remove the shield case and power supply circuit assembly-2.
- (3) Unscrew the twenty-seven screws of the panel stay and PHONES jack and SPEAKERS selector switch shaft and VOLUME control shaft nuts and washers. Incline the panel stay.
- (4) Pull out the input circuit assembly from the bosses.

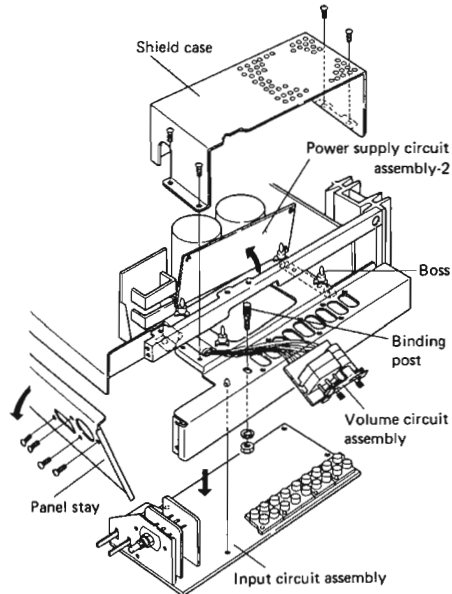


Fig. 14

**Removing the Fuse Assembly (Fig. 15)**

- (1) Remove the bottom plate.
- (2) Pull out the Fuse assembly from the bosses.

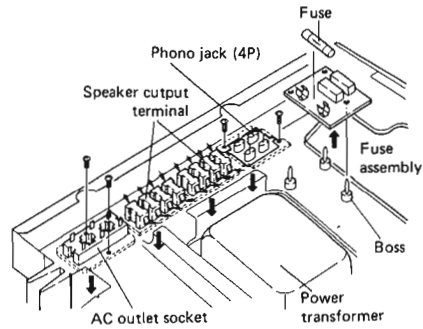
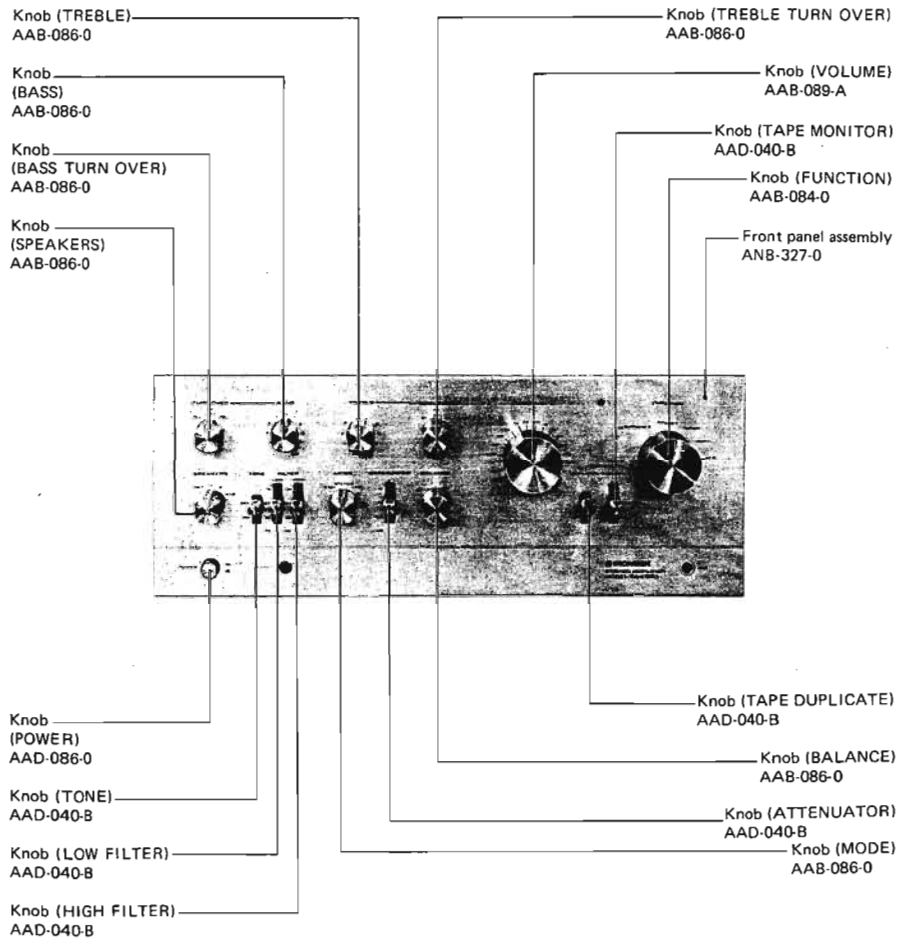


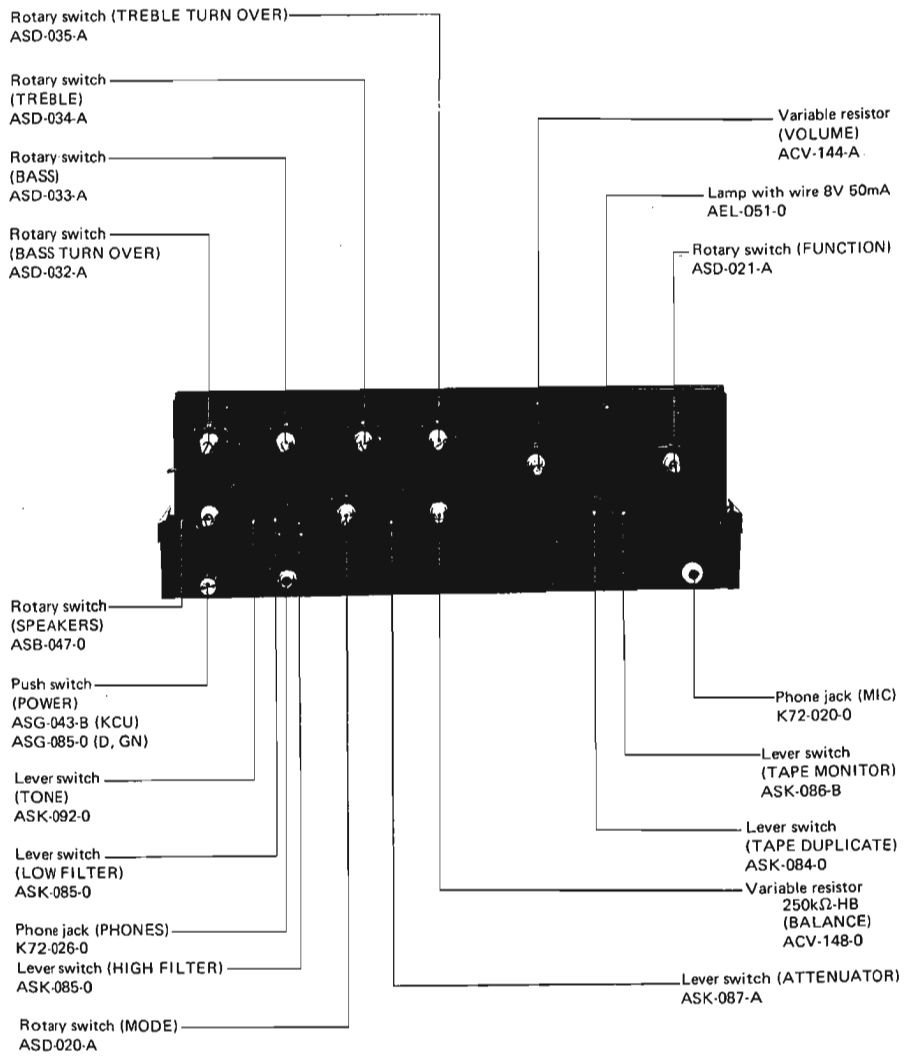
Fig. 15

## 8. PARTS LOCATIONS

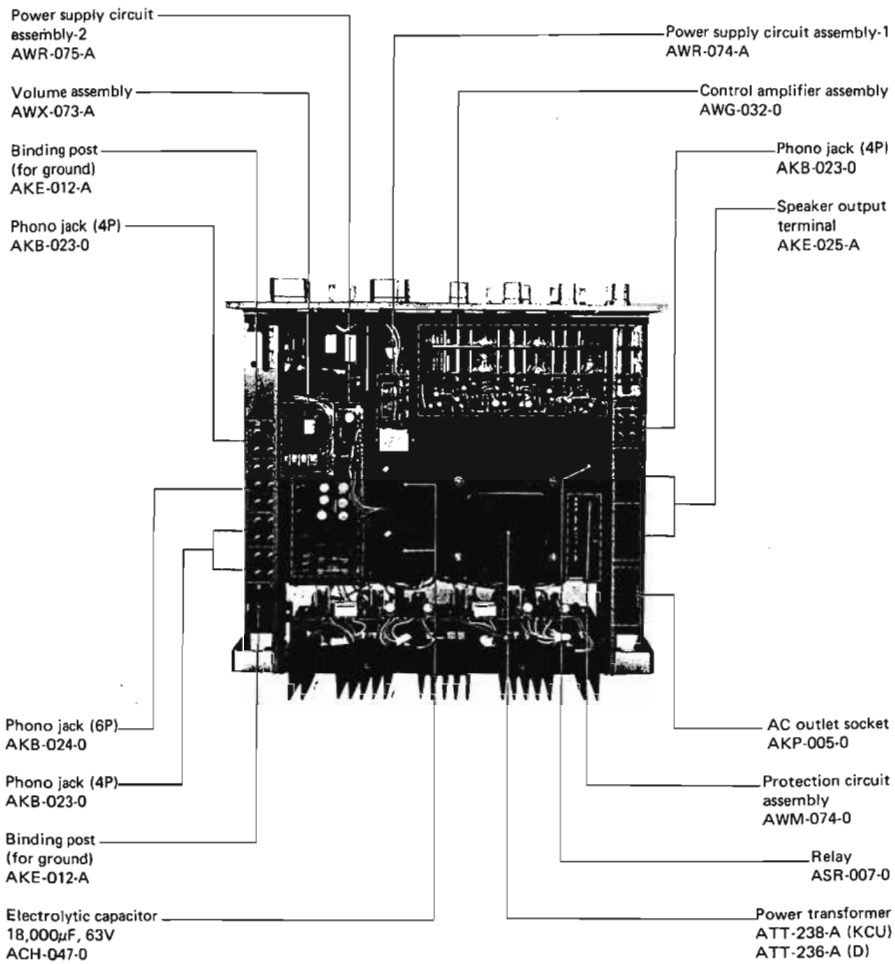
### FRONT PANEL VIEW



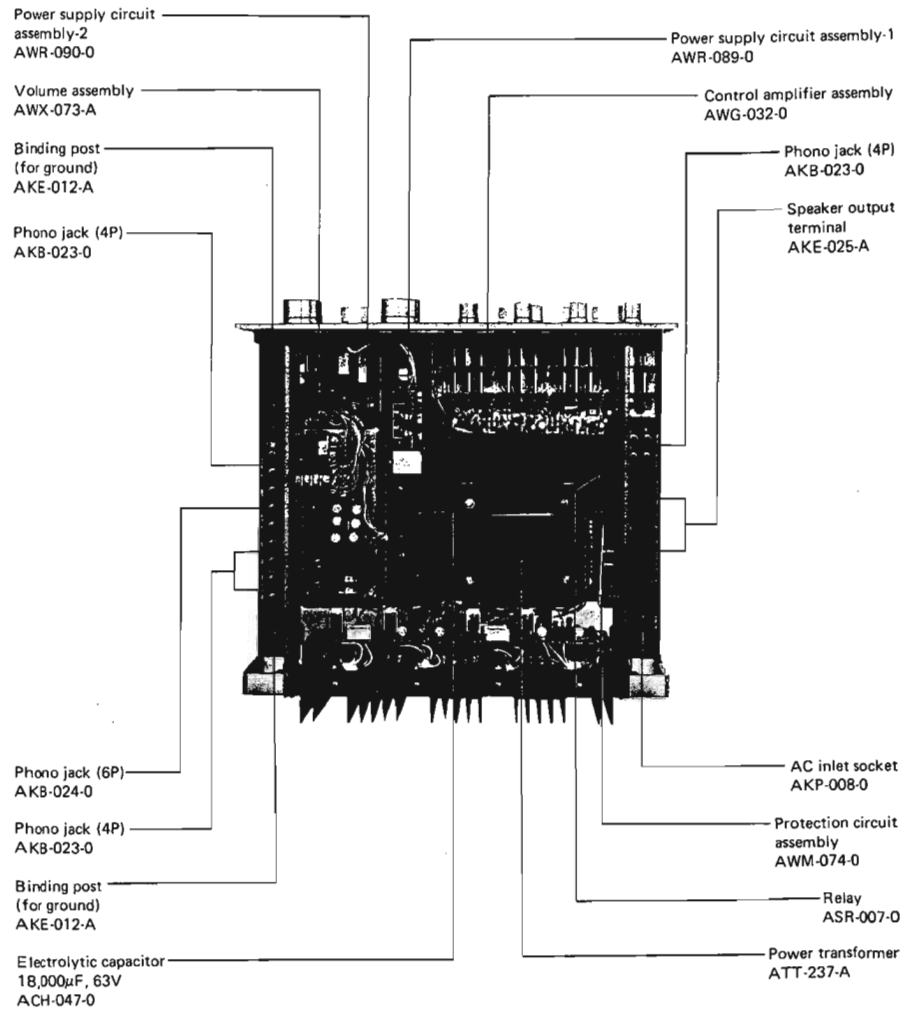
FRONT VIEW WITH PANEL REMOVED



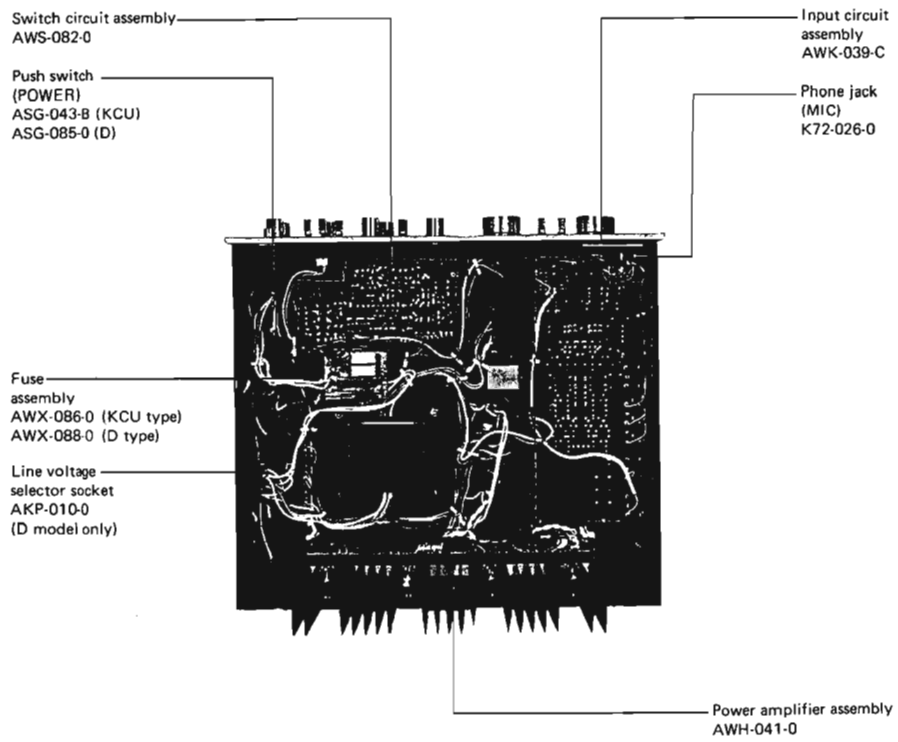
**TOP VIEW**  
 For "KCU, D" Types (120V model and 3-line voltage model)



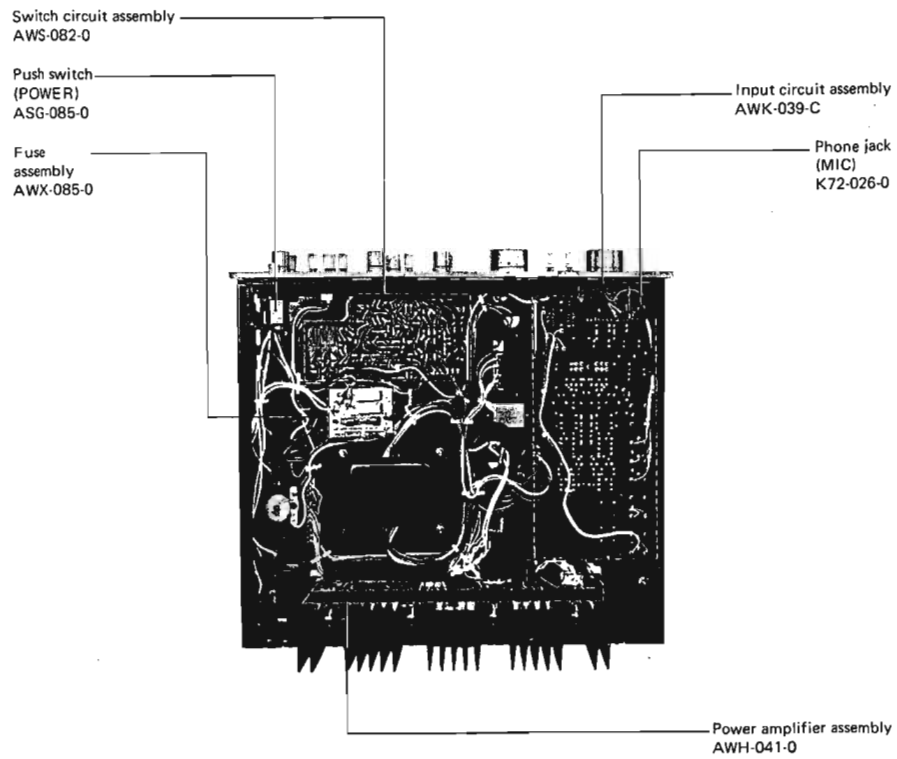
For "GN" Type (220V model)



**BOTTOM VIEW**  
For "KCU, D" Type (120V model and 3-line voltage model)



For "GN" Type (220V model)





## 9. ADJUSTING PROCEDURES

### Set-up

- (a) Remove the top cover and bottom plate, and stand the main body with the heat sinks down.
- (b) Before turning on the POWER switch, turn VR3 and VR4 all the way to the left (counterclockwise).
- (c) For adjustment, wait 10 minutes after the POWER switch is turned on.

### Adjusting procedures

- (1) Set the PRE/POWER AMP switch to the SEPARATED (lower) position.
- (2) Fit  $5.1k\Omega$  resistors to the POWER IN terminals as shown in Fig. 16.
- (3) Connect  $8\Omega$  dummy loads between the SPEAKER A terminals as shown in Fig. 16.
- (4) Set the SPEAKERS switch to position A. Turn on the POWER switch.
- (5) Connect a DC voltmeter (100mV/full scale) between pins 10 and 9. Adjust VR1 until the voltmeter indicates 0V.
- (6) Connect the DC voltmeter between pins 25 and 24. Adjust VR2 until the voltmeter indicates 0V.

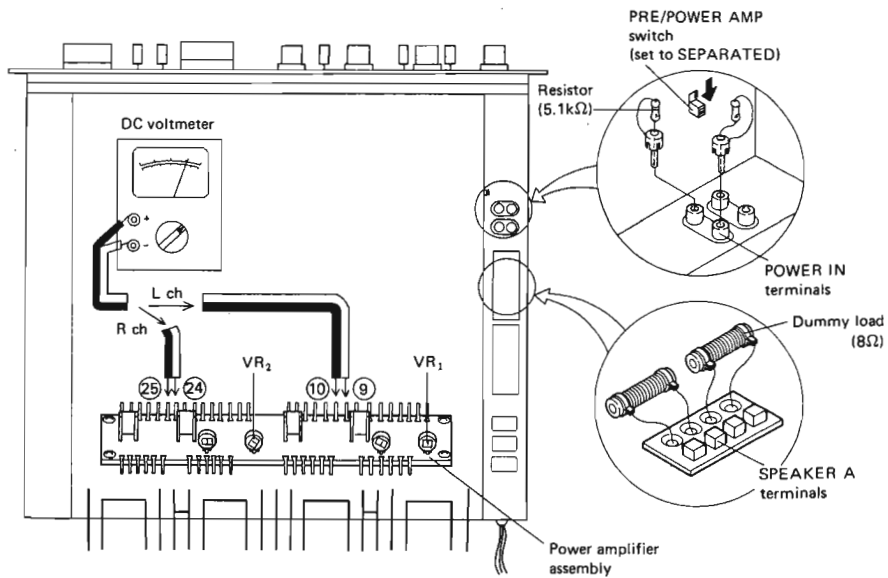


Fig. 16

- (7) Connect the DC voltmeter between pins 12 and 13. Adjust VR3 until the voltmeter indicates 20mV.
- (8) Connect the DC voltmeter between pins 27 and 28. Adjust VR4 until the voltmeter indicates 20mV.

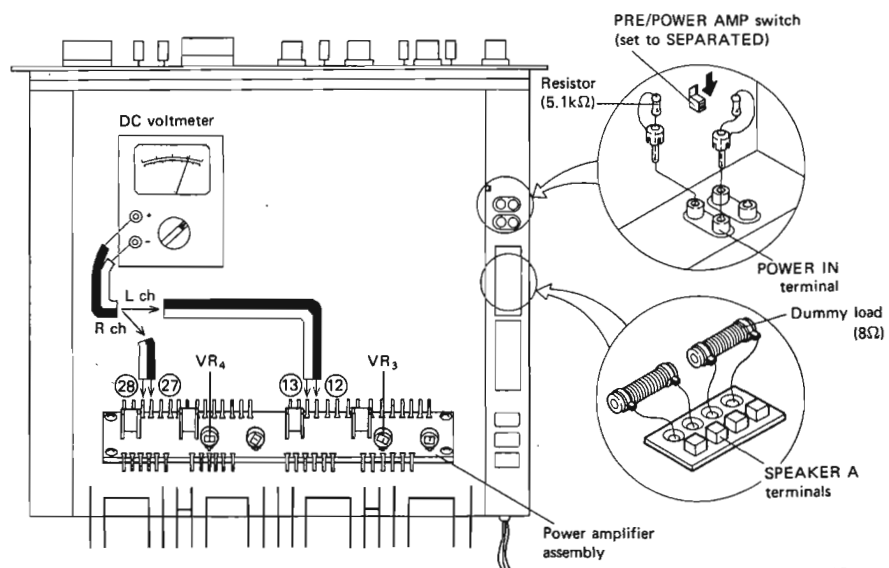




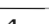





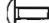
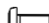










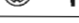






Fig. 17

## 10. EXPLODED VIEW

### NOMENCLATURE OF SCREWS, WASHERS AND NUTS

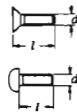
The following symbols stand for screws, washers and nuts as shown in exploded view.

Symbol	Description	Shape
RT	Brazier head tapping screw	
PT	Pan head tapping screw	
BT	Binding head tapping screw	
CT	Countersunk head tapping screw	
TT	Truss head tapping screw	
OCT	Oval countersunk head tapping screw	
PM	Pan head machine screw	
CM	Countersunk head machine screw	
OCM	Oval countersunk head machine screw	
TM	Truss head machine screw	
BM	Binding head machine screw	
PSA	Pan head screw with spring lock washer	
PSB	Pan head screw with spring lock washer and flat washer	
PSF	Pan head screw with flat washer	

Symbol	Description	Shape
EW	E type washer	
FW	Flat washer	
SW	Spring lock washer	
N	Nut	
WN	Washer faced nut	
ITW	Internal toothed lock washer	
OTW	Outernal toothed lock washer	
SC	Slotted set screw (Cone point)	
SF	Slotted set screw (Flat point)	
HS	Hexagon socket headless set screw	
OCW	Oval countersunk head wood screw	
CW	Countersunk head wood screw	
RW	Round head wood screw	

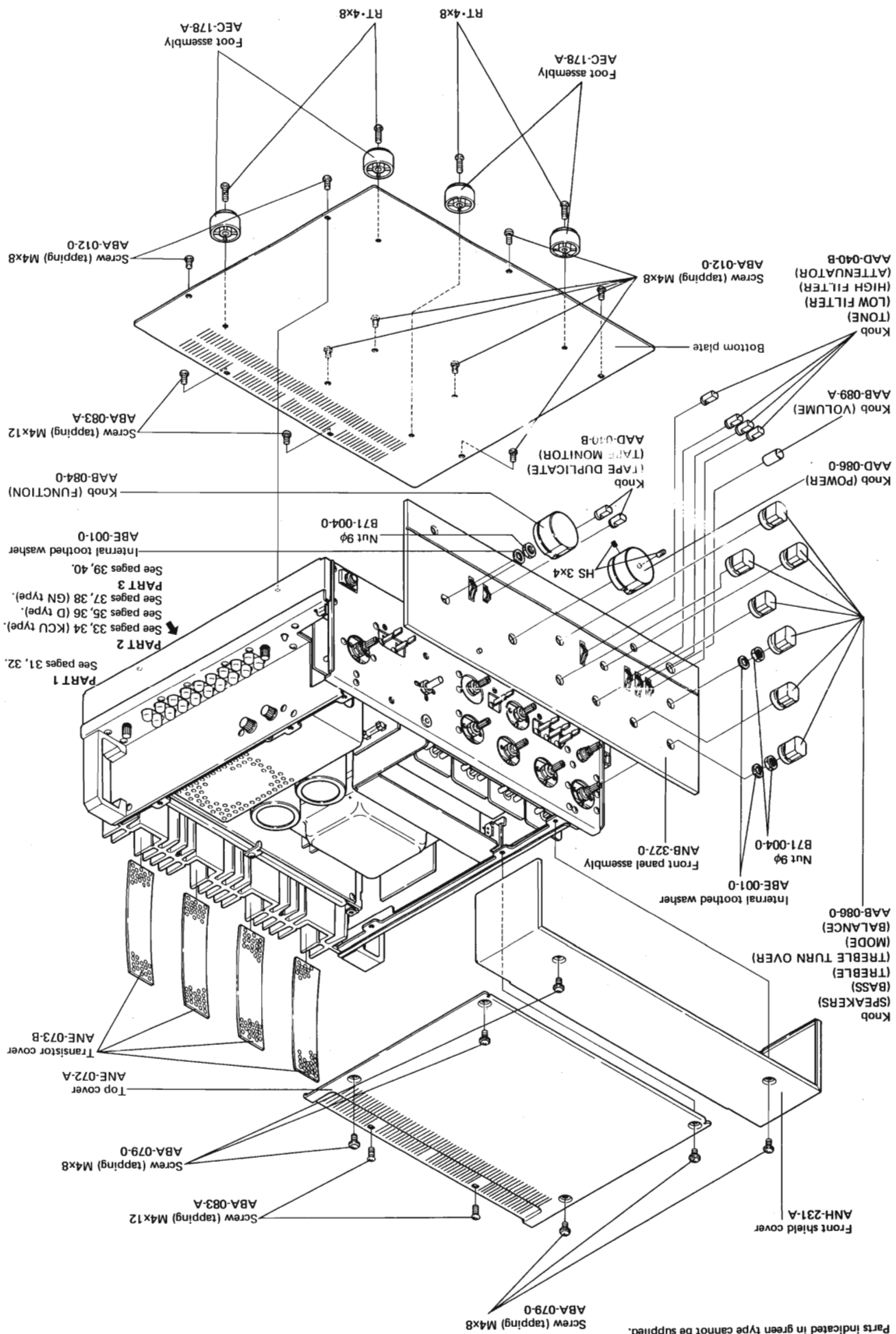
#### EXAMPLE

PM - 3x8  
 length in mm ( *l* )  
 diameter in mm ( *d* )  
 Symbol



FW - 9φ x 1<sup>t</sup>  
 thickness in mm ( *t* )  
 diameter in mm ( *d* )  
 Symbol

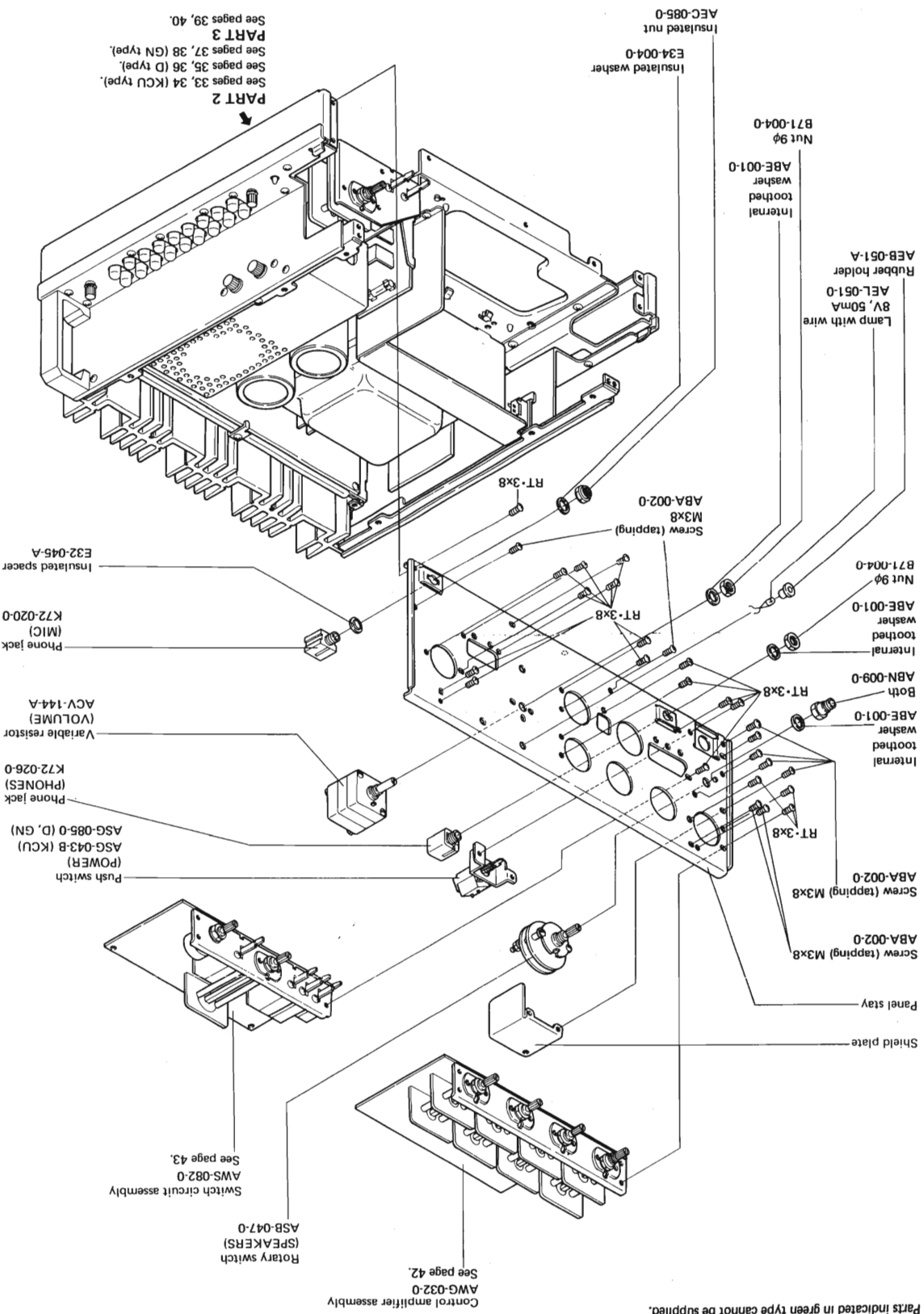




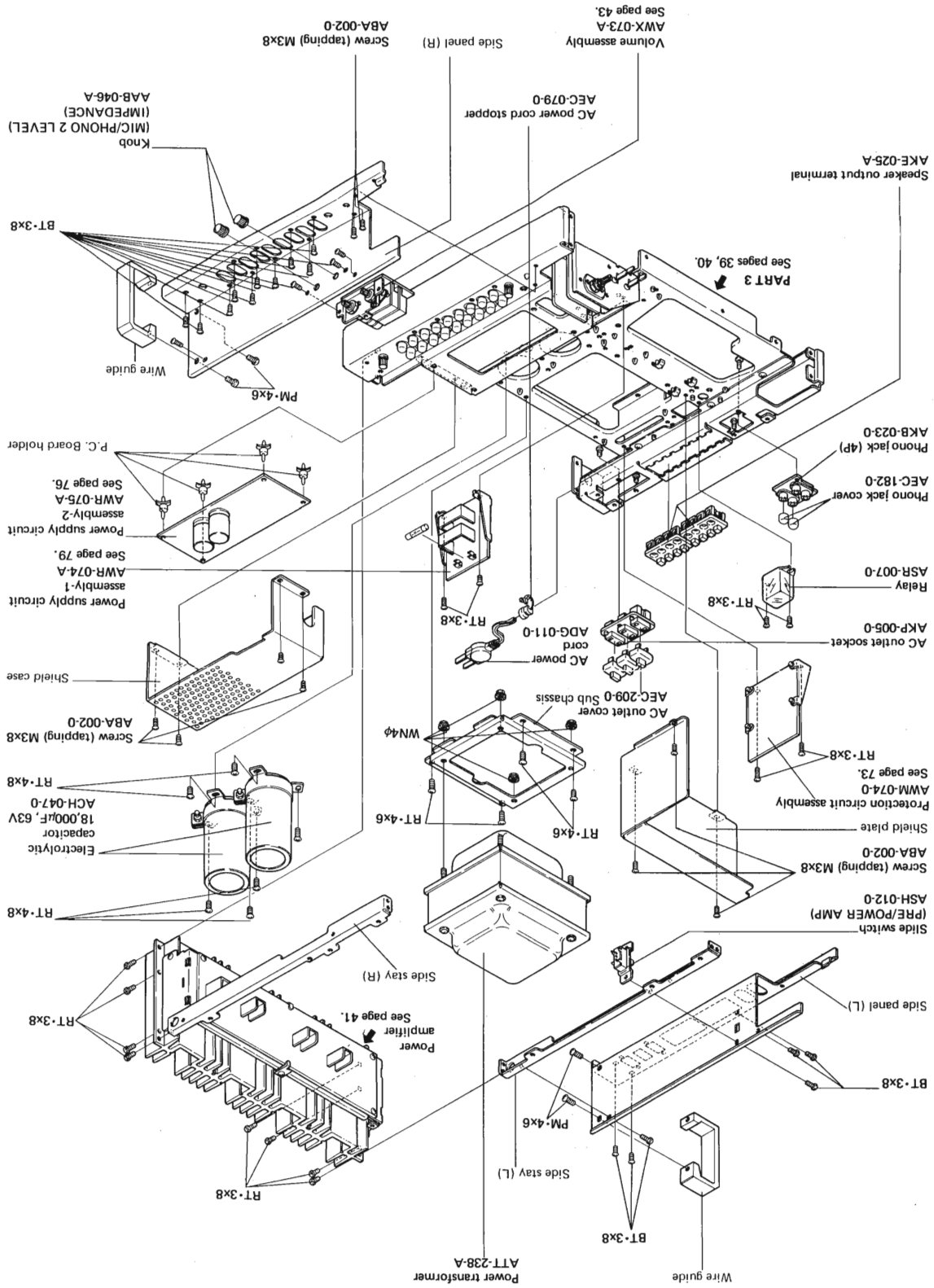
EXPLODED VIEW

PART 1

NOTE: Parts indicated in green type cannot be supplied.



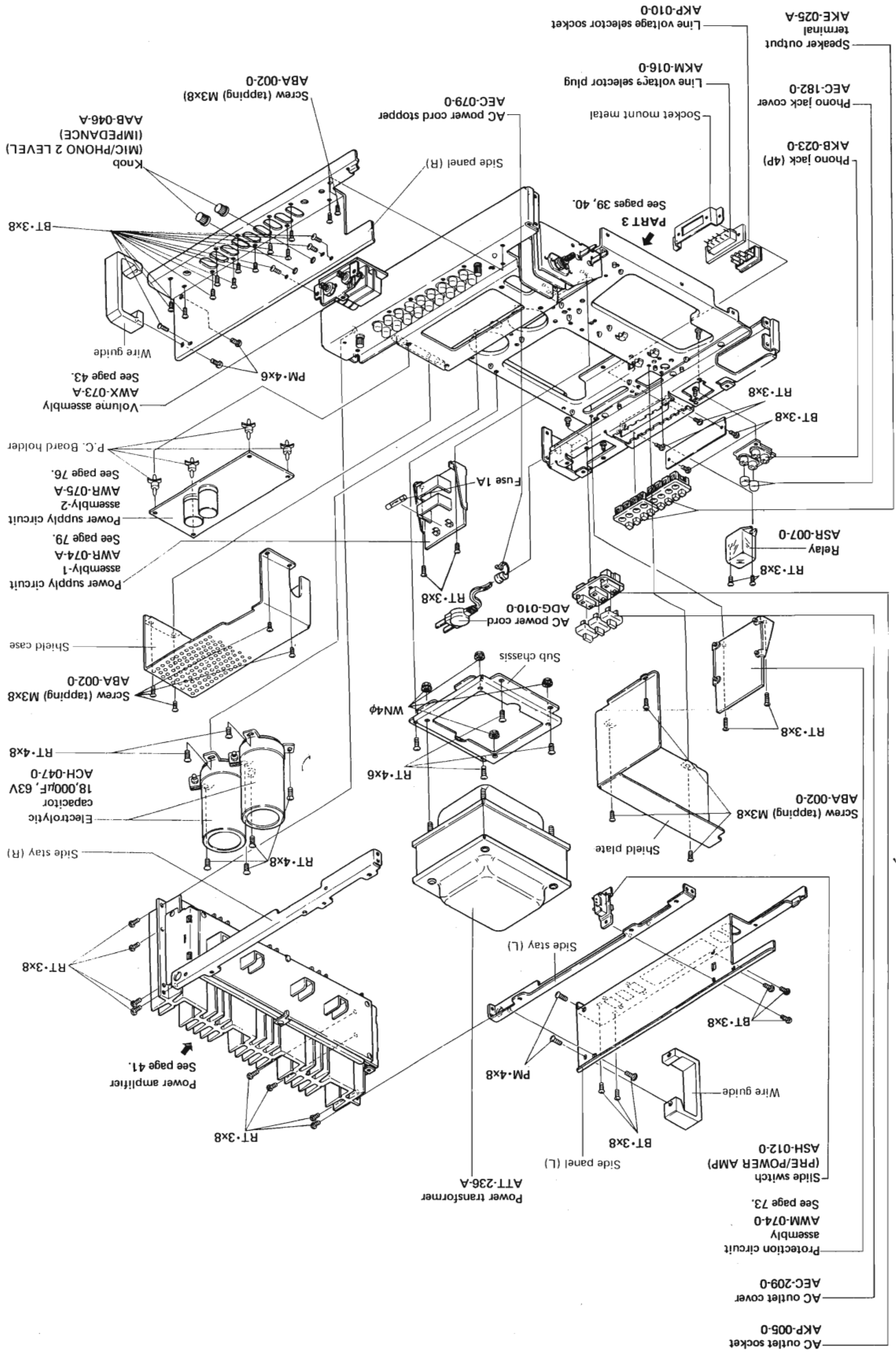
PART 2  
See pages 33, 34 (KCU type),  
See pages 35, 36 (D type),  
See pages 37, 38 (GN type),  
PART 3  
See pages 39, 40.



**PART 2**  
 For "KCU" Type (120V model)  
**NOTE:**  
 Parts indicated in green type cannot be supplied.

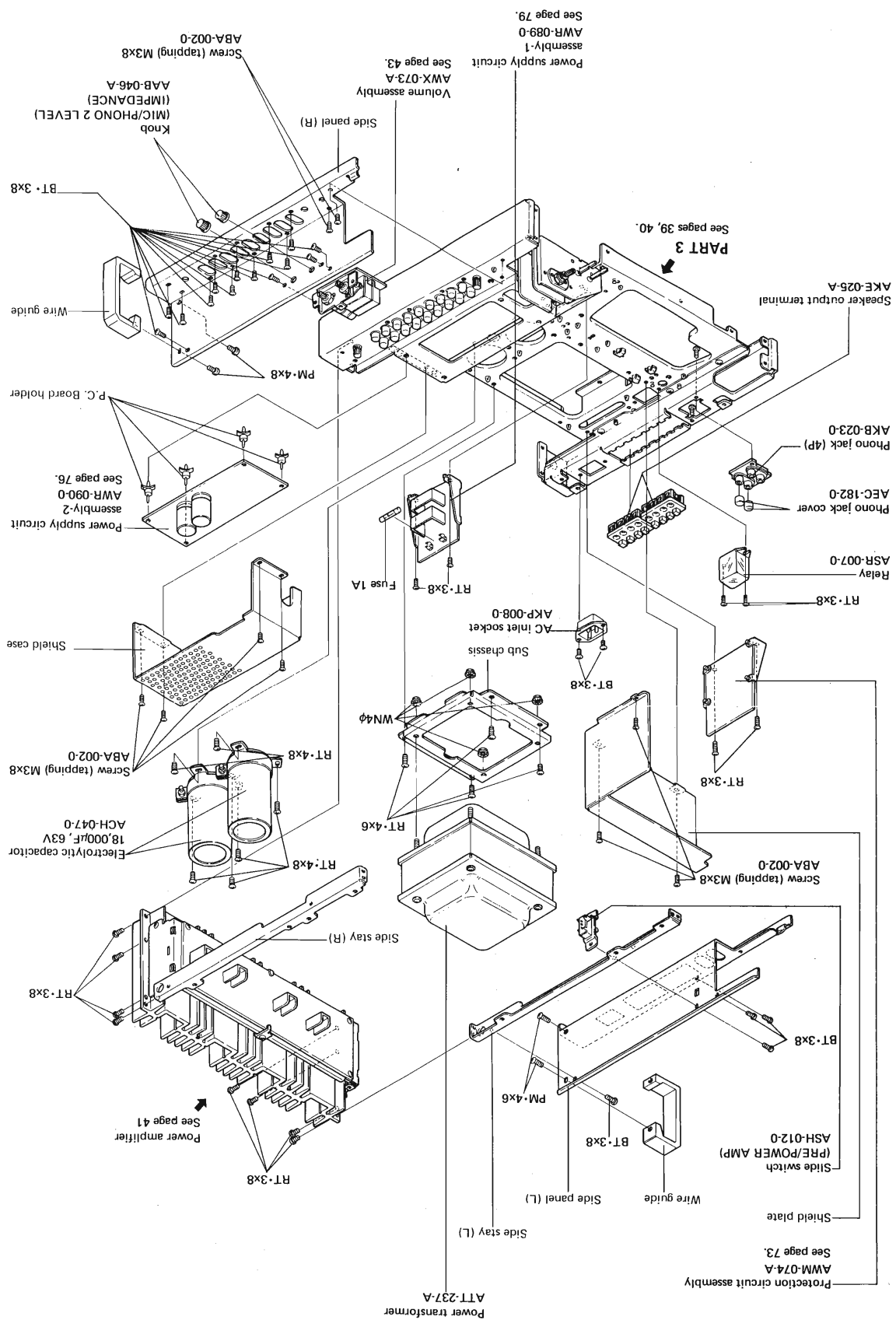
For "D" Type (3-line voltage model)

NOTE: Parts indicated in green type cannot be supplied.



**PART 2**  
For "GN" Type (220V model)

NOTE:  
Parts indicated in green type cannot be supplied.

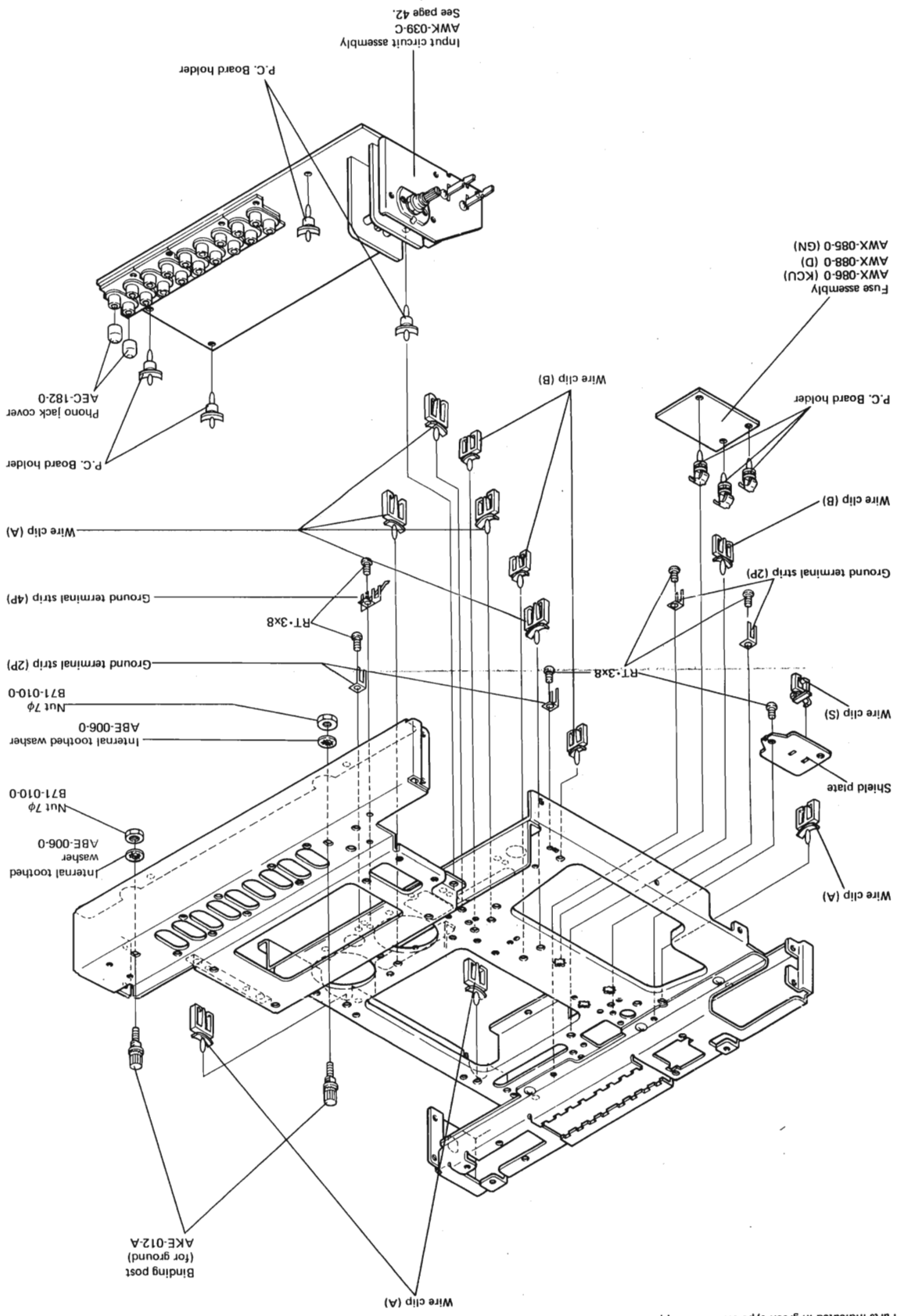


0056-AS

B2

46





**PART 3**

NOTE: Parts indicated in green type cannot be supplied.

Input circuit assembly  
AWK-039-C  
See page 42.

Fuse assembly  
AMX-088-0 (D)  
AMX-086-0 (KCU)  
AMX-085-0 (GN)

P.C. Board holder  
Phono jack cover  
AEC-182-0  
P.C. Board holder

Wire clip (A)  
Ground terminal strip (4P)  
Ground terminal strip (2P)  
RT-3x8

Nut 7φ  
Washer  
Internal toothed washer  
ABE-006-0  
B71-010-0

Binding post (for ground)  
AKE-012-A

Wire clip (B)

P.C. Board holder  
Wire clip (B)

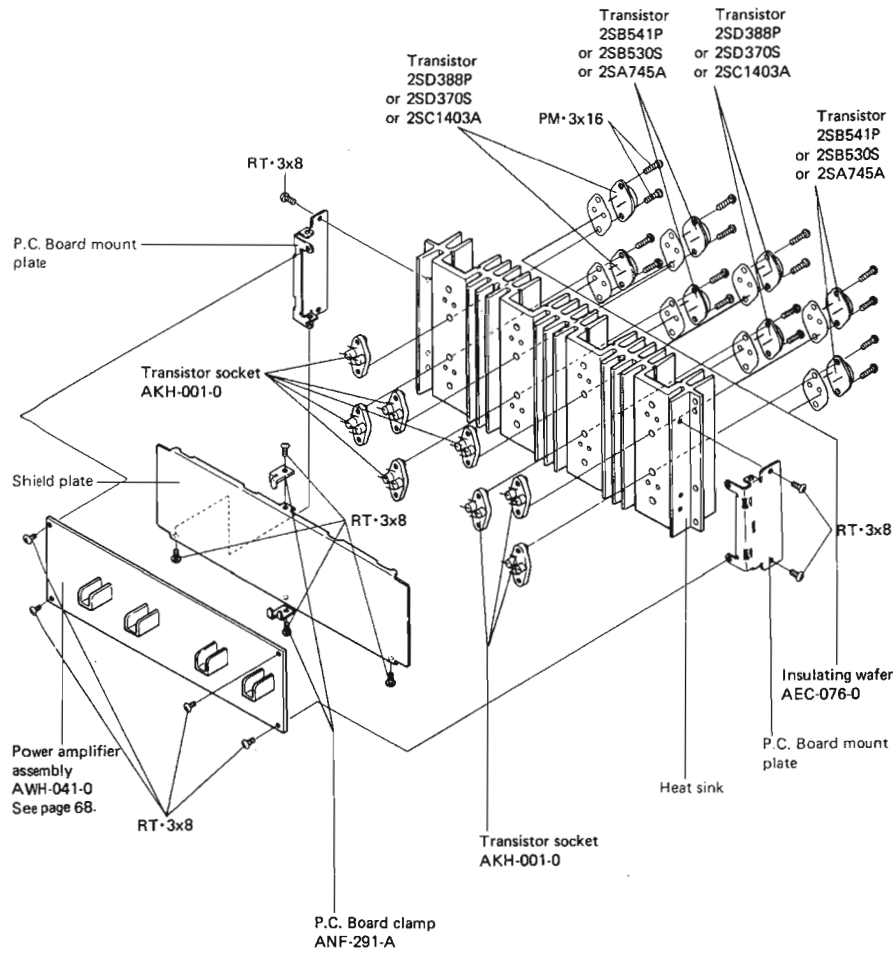
Ground terminal strip (2P)

Shield plate  
Wire clip (S)  
Wire clip (A)

POWER AMPLIFIER

NOTE:

Parts indicated in green type cannot be supplied.



**INPUT CIRCUIT ASSEMBLY (AWK-039-C)**

**NOTE:**

Parts indicated in green type cannot be supplied.

- Lever switch (TAPE MONITOR) ASK-086-B
- Lever switch (TAPE DUPLICATE) ASK-084-0

- Circuit board held metal
- Screw (tapping M3x8) ABA-002-0

- Boss ABN-009-0
- Internal toothed washer 9φ x 0.5t ABE-001-0

- Rotary switch (FUNCTION) ASD-021-A

- Phono jack (4P) AKB-023-0

- Phono jack\* (6P) AKB-024-0

- Phono jack (4P) AKB-023-0

**CONTROL AMPLIFIER ASSEMBLY (AWG-032-0)**

**NOTE:**

Parts indicated in green type cannot be supplied.

- Internal toothed washer 9φ x 0.5t ABE-001-0

- Boss ABN-009-0

- Nut 9φ B71-004-0

- Rotary switch (BASS TURN OVER) ASD-032-A

- Rotary switch (BASS) ASD-033-A

- Rotary switch (TREBLE) ASD-034-A

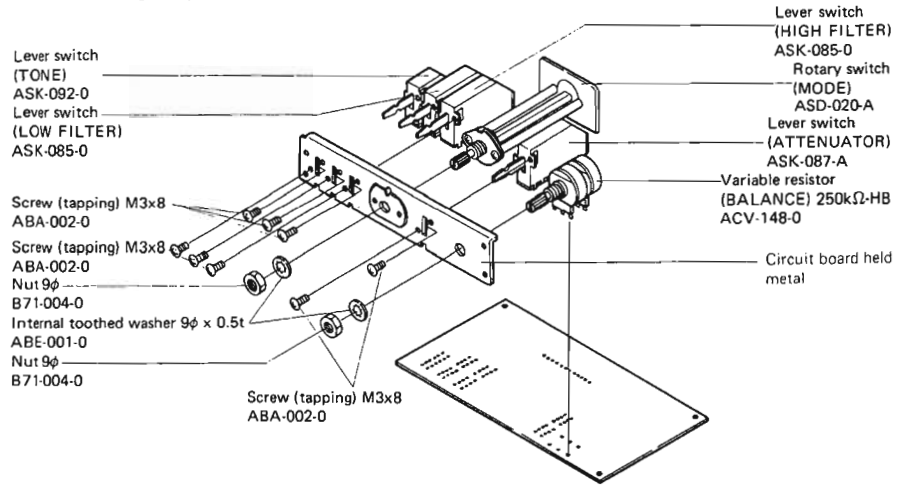
- Rotary switch (TREBLE TURN OVER) ASD-035-A

- Circuit board held metal

SWITCH CIRCUIT ASSEMBLY (AWS-082-0)

NOTE:

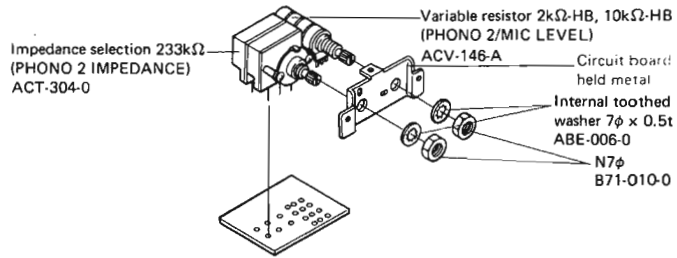
Parts indicated in green type cannot be supplied.



VOLUME ASSEMBLY (AWX-073-A)

NOTE:

Parts indicated in green type cannot be supplied.



# 11. SCHEMATIC DIAGRAMS, P.C. BOARD PATTERNS AND PARTS LIST

## 11.1 SCHEMATIC DIAGRAMS AND MISCELLANEOUS PARTS.

Miscellaneous Parts List  
For "KCU" Type (120V model)

**NOTES:**

- Capacitors: in  $\mu F$  unless otherwise noted p:pF
- Resistors: in  $\Omega$ ,  $\frac{1}{4}W$  unless otherwise noted k:k $\Omega$ , M:M $\Omega$

**CAPACITORS**

Symbol	Description	Part No.
C1	Electrolytic 18,000 63V	ACH-047-0
C2	Electrolytic 18,000 63V	ACH-047-0
C3	Ceramic 0.01 250V	ACG-001-0
C4	Ceramic 0.01 150V	ACG-003-0
C5	Mylar 4700p 50V	CQMA 472K 50
C6	Mylar 2700p 50V	CQMA 272k 50

**RESISTORS AND POTENTIOMETER**

Symbol	Description	Part No.
R1	Metal oxide 4.7k 2W	RS2P 472J
R2	Metal oxide 4.7k 2W	RS2P 472J
R3	Carbon film 39k	RD%PS 393J
R4	Carbon film 82k	RD%PS 823J
VR2	Variable resistor (VOLUME)	ACV-144-A

**SEMICONDUCTORS**

Symbol	Description	Part No.
Q13	Transistor 2SD388P-S or R (2SD370S-R, O or Y) (2SC1403A-R, O or Y)	
Q14	Transistor 2SD388P-S or R (2SD370S-R, O or Y) (2SC1403A-R, O or Y)	
Q15	Transistor 2SD388P-S or R (2SD370S-R, O or Y) (2SC1403A-R, O or Y)	
Q16	Transistor 2SD388P-S or R (2SD370S-R, O or Y) (2SC1403A-R, O or Y)	
Q17	Transistor 2SB541P-S or R (2SB530S-R, O or Y) (2SA745A-R, O or Y)	
Q18	Transistor 2SB541P-S or R (2SB530S-R, O or Y) (2SA745A-R, O or Y)	
Q19	Transistor 2SB541P-S or R (2SB530S-R, O or Y) (2SA745A-R, O or Y)	
Q20	Transistor 2SB541P-S or R (2SB530S-R, O or Y) (2SA745A-R, O or Y)	

**SWITCHES**

Symbol	Description	Part No.
S14	Slide switch (PRE/POWER)	ASH-012-0
S15	Rotary switch (SPEAKERS)	ASB-047-0
S16	Relay	ARS-007-0
S17	Push switch (POWER)	ASG-043-B

**FUSES AND LAMP**

Symbol	Description	Part No.
FU1	Fuse 6A	AEK-109-0
FU2	Fuse 1A	AEK-106-0
FU3	Fuse 1A	AEK-106-0
FU4	Fuse 1A	AEK-106-0
PL1	Lamp with wire 8V, 50mA	AEL-051-0

**TRANSFORMER**

Symbol	Description	Part No.
T1	Power transformer	ATT-238-A

For "D" Type (3-line voltage model)

CAPACITOR

Symbol	Description	Part No.
C1	Electrolytic 18,000 63V	ACH-047-0
C2	Electrolytic 18,000 63V	ACH-047-0
C3	Ceramic 0.01 250V	ACG-001-0
C4	Ceramic 0.01 250V	ACG-001-0
C5	Mylar 4700p 50V	CQMA 472K 50
C6	Mylar 2700p 50V	CQMA 272K 50

SWITCHES

Symbol	Description	Part No.
S14	Slide switch (PRE/POWER)	ASH-012-0
S15	Rotary switch (SPEAKERS)	ASB-047-0
S16	Relay	ASR-007-0
S17	Push switch (POWER)	ASG-085-0

RESISTORS AND POTENTIOMETER

Symbol	Description	Part No.
R1	Metal oxide 4.7k 2W	RS2P 472J
R2	Metal oxide 4.7k 2W	RS2P 472J
R3	Carbon film 39k	RD½PS 393J
R4	Carbon film 82k	RD½PS 823J
VR2	Variable resistor (VOLUME)	ACV-144-A

FUSE AND LAMP

Symbol	Description	Part No.
FU1	Fuse 3A	AEL-101-0
FU2	Fuse 1A	AEL-106-0
FU3	Fuse 1A	AEL-106-0
FU4	Fuse 1A	AEL-106-0
PL1	Lamp with wire 8V, 50mA	AEL-051-0

SEMICONDUCTORS

Symbol	Description	Part No.
Q13	Transistor 2SD388P-S or R (2SD370S-R, O or Y) (2SC1403A-R, O or Y)	
Q14	Transistor 2SD388P-S or R (2SD370S-R, O or Y) (2SC1403A-R, O or Y)	
Q15	Transistor 2SD388P-S or R (2SD370S-R, O or Y) (2SC1403A-R, O or Y)	
Q16	Transistor 2SD388P-S or R (2SD370S-R, O or Y) (2SC1403A-R, O or Y)	
Q17	Transistor 2SB541P-S or R (2SB530S-R, O or Y) (2SA745A-R, O or Y)	
Q18	Transistor 2SB541P-S or R (2SB530S-R, O or Y) (2SA745A-R, O or Y)	
Q19	Transistor 2SB541P-S or R (2SB530S-R, O or Y) (2SA745A-R, O or Y)	
Q20	Transistor 2SB541P-S or R (2SB530S-R, O or Y) (2SA745A-R, O or Y)	

TRANSFORMER

Symbol	Description	Part No.
T1	Power transformer	ATT-236-A

For "GN" Type (220V model)

**CAPACITORS**

Symbol	Description	Part No.
C1	Electrolytic 18,000 63V	ACH-047-0
C2	Electrolytic 18,000 63V	ACH-047-0
C3	.....	.....
C4	.....	.....
C5	Mylar 47000p 50V	CGMA 472K 50
C6	Mylar 2700p 50V	CGMA 272K 50
C7	Ceramic 0.047 25V	CKDBC 473Z 50
C8	Ceramic 0.047 25V	CKDBC 473Z 50

**RESISTORS AND POTENTIOMETER**

Symbol	Description	Part No.
R1	Metal oxide 4.7k 2W	RS2P 472J
R2	Metal oxide 4.7k 2W	RS2P 472J
R3	Carbon film 39k	RD%PS 393J
R4	Carbon film 82k	RD%PS 823J
VR2	Variable resistor (VOLUME)	ACV-144-A

**SEMICONDUCTORS**

Symbol	Description	Part No.
Q13	Transistor 2SD388P-S or R (2SD370S-R, O or Y) (2SC1403A-R, O or Y)	
Q14	Transistor 2SD388P-S or R (2SD370S-R, O or Y) (2SC1403A-R, O or Y)	
Q15	Transistor 2SD388P-S or R (2SD370S-R, O or Y) (2SC1403A-R, O or Y)	
Q16	Transistor 2SD388P-S or R (2SD370S-R, O or Y) (2SC1403A-R, O or Y)	
Q17	Transistor 2SB541P-S or R (2SD370S-R, O or Y) (2SC1403A-R, O or Y)	
Q18	Transistor 2SB541P-S or R (2SB530S-R, O or Y) (2SA745A-R, O or Y)	
Q19	Transistor 2SB541P-S or R (2SB530S-R, O or Y) (2SA745A-R, O or Y)	
Q20	Transistor 2SB541P-S or R (2SB530S-R, O or Y) (2SA745A-R, O or Y)	

**SWITCHES**

Symbol	Description	Part No.
S14	Slide switch (PRE/POWER)	ASH-012-0
S15	Rotary switch (SPEAKERS)	ASB-047-0
S16	Relay	ASR-007-0
S17	Push switch (POWER)	ASG-085-0

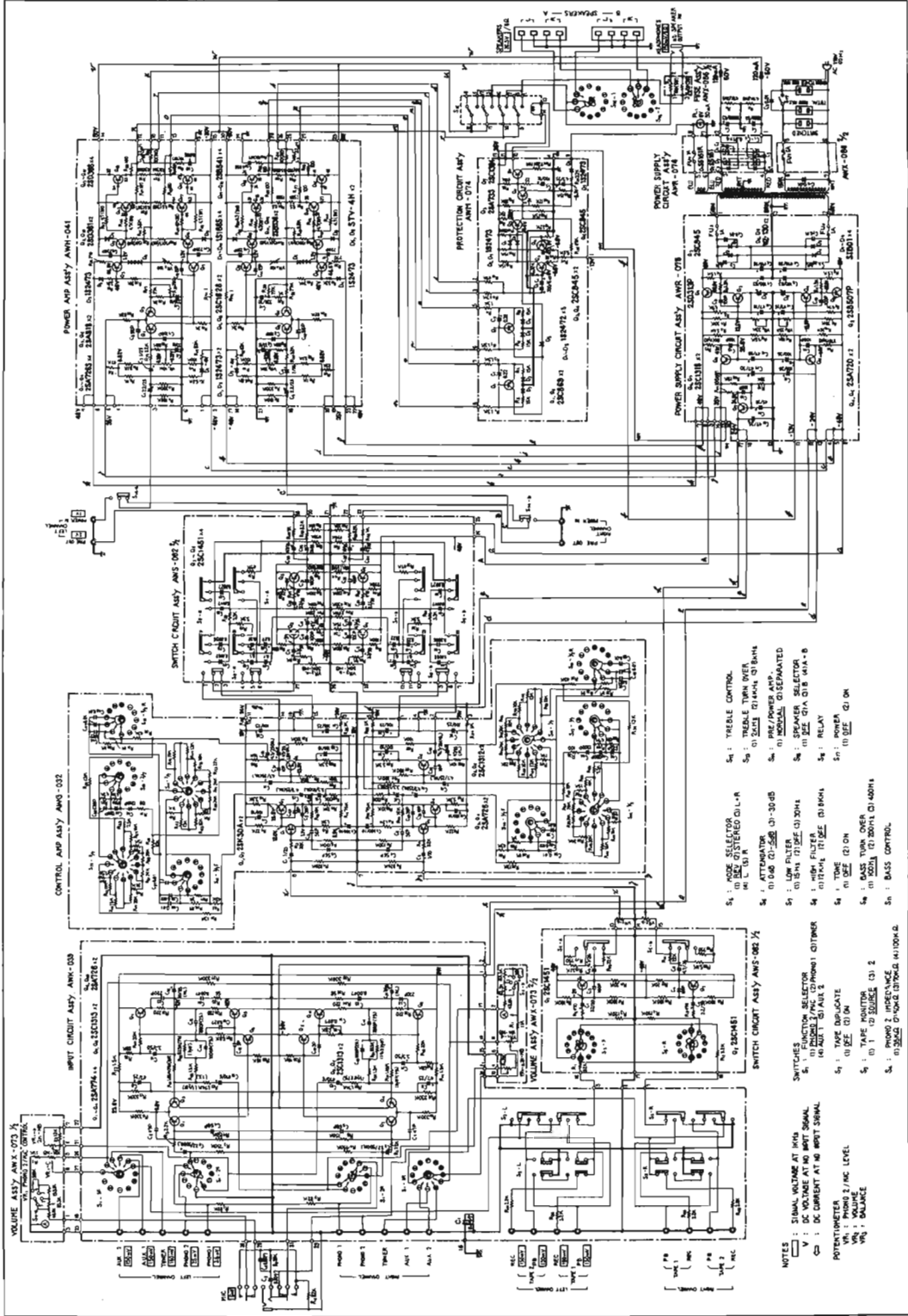
**FUSES AND LAMP**

Symbol	Description	Part No.
FU1	Fuse 3.15A	AEK-042-0
FU2	Fuse 1A	AEK-402-0
FU3	Fuse 1A	AEK-402-0
FU4	Fuse 1A	AEK-402-0
PL1	Lamp with wire 8V, 50mA	AEL-051-0

**TRANSFORMER**

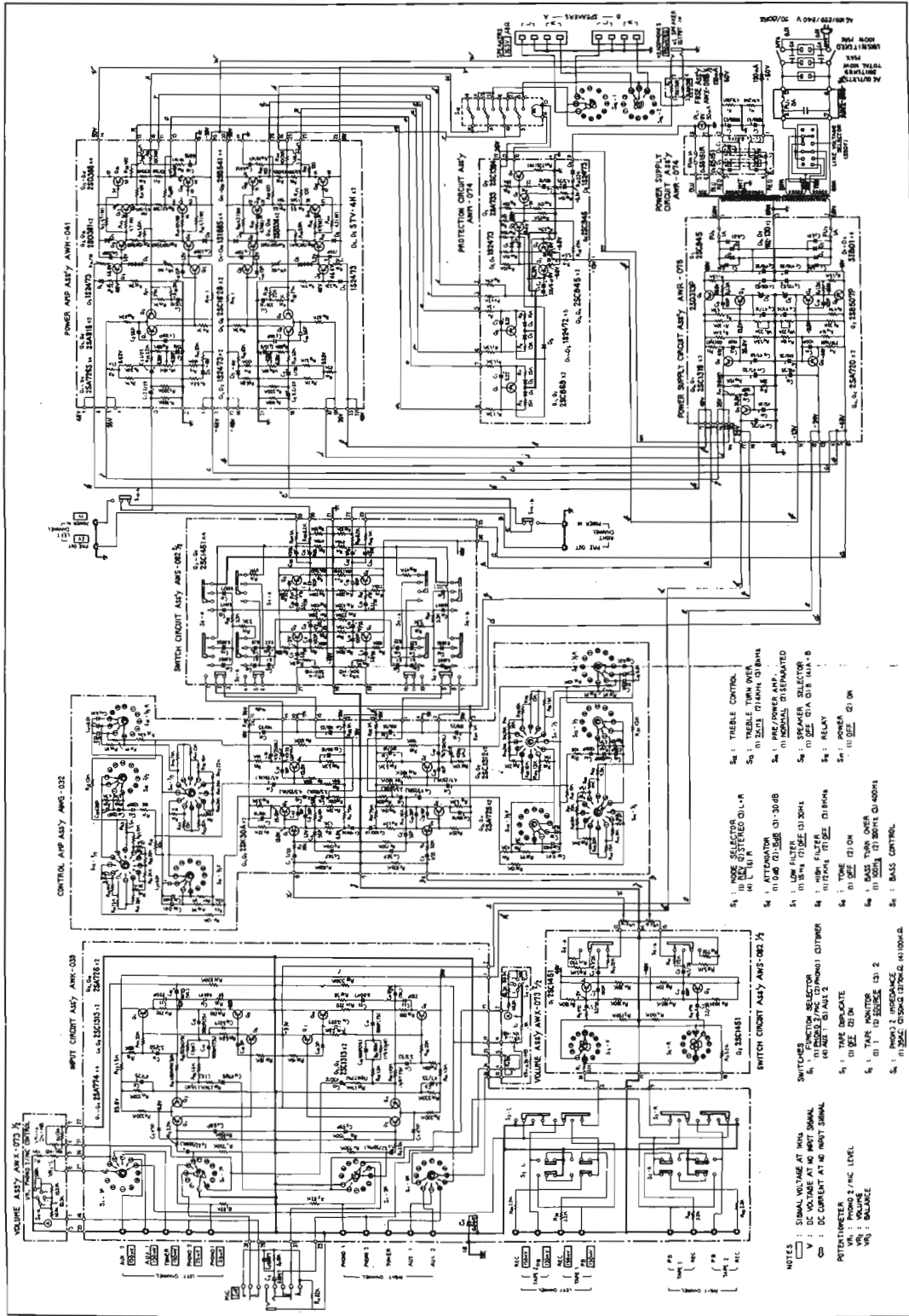
Symbol	Description	Part No.
T1	Power transformer	ATT-237-A

SCHEMATIC DIAGRAMS  
For "KCU" Type (120V model)





For "D" Type (3-line voltage model)



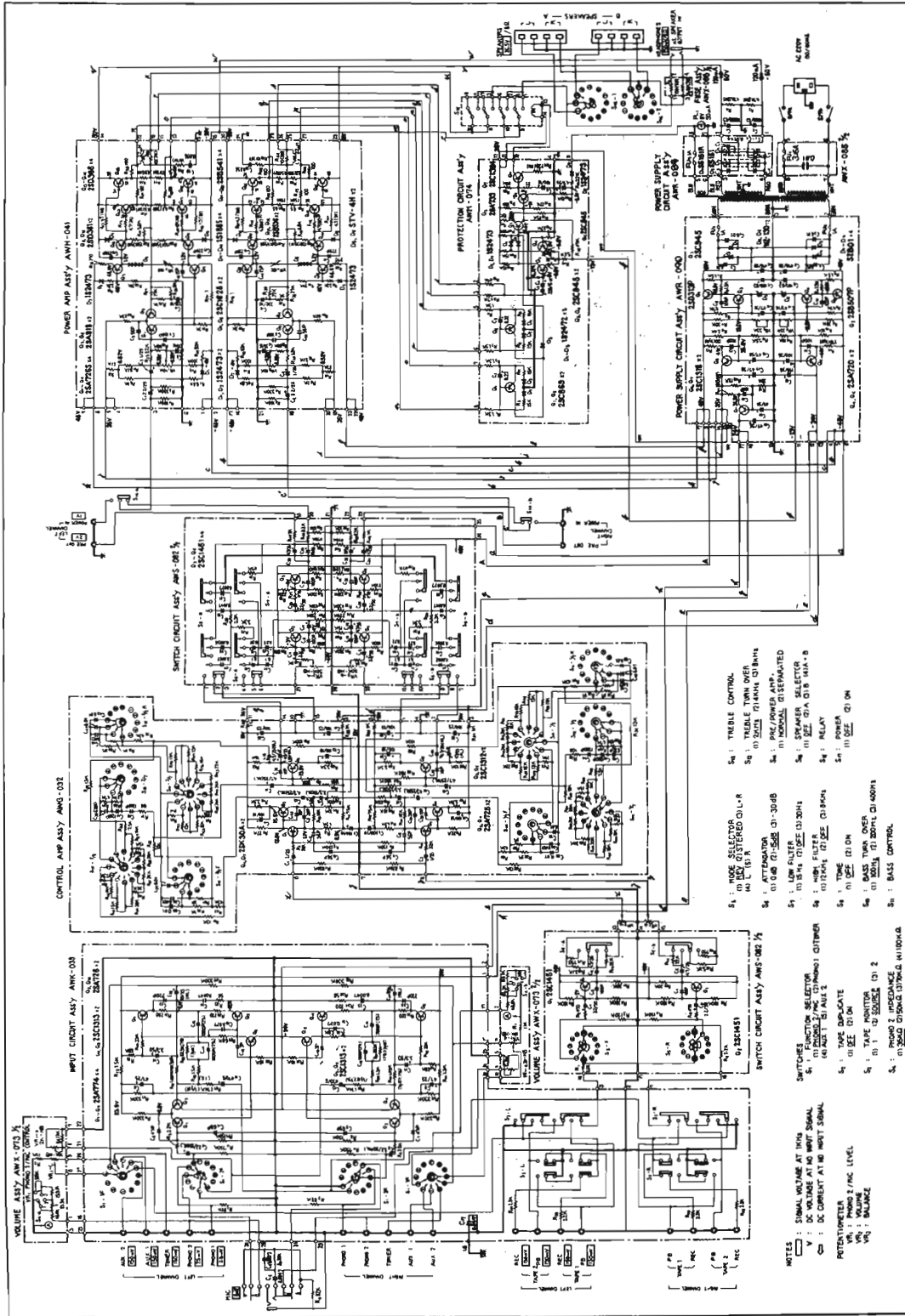
NOTES:  
 S1 : SIGNAL VOLTAGE AT INPA  
 S2 : DC VOLTAGE AT INPRT SIGNAL  
 S3 : DC CURRENT AT INPRT SIGNAL  
 POTENTIOMETER  
 VA : VOLUME  
 VB : TONE  
 VC : PHONO / INC. LEVEL  
 VD : SOURCE

SWITCHES  
 S1 : FUNCTION SELECTOR  
 S2 : TAP DIS-CATE  
 S3 : TAP MONITOR (3) 2  
 S4 : TAP 2 INDEGANCE  
 S5 : PHONO 2 INDEGANCE (1) 100K-2  
 S6 : TAP DIS-CATE (1) 100K-2

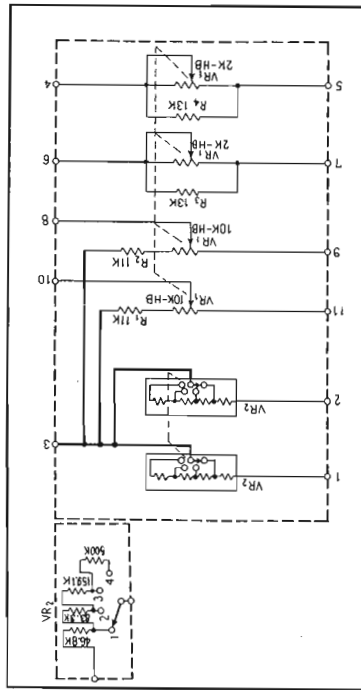
SWITCH CIRCUIT ASSEMBLY AMV-023  
 S1 : MODE SELECTOR  
 S2 : TAP DIS-CATE  
 S3 : ATTENUATOR  
 S4 : LOW FILTER  
 S5 : HIGH FILTER  
 S6 : TONE  
 S7 : TAP DIS-CATE  
 S8 : TAP MONITOR  
 S9 : TAP 2 INDEGANCE  
 S10 : PHONO 2 INDEGANCE

POWER AMP ASSEMBLY AMV-021  
 S1 : TRENDS CONTROL  
 S2 : TAP DIS-CATE  
 S3 : TAP MONITOR  
 S4 : TAP 2 INDEGANCE  
 S5 : PHONO 2 INDEGANCE

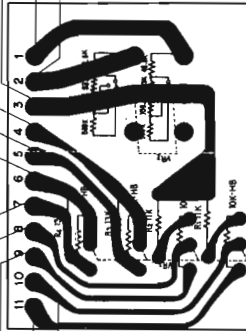
For "GN" Type (220V model)



11.2 VOLUME ASSEMBLY (AWX-073-A)



- Input circuit assembly-No. 21
- Input circuit assembly-No. 25
- Input circuit assembly-No. 24
- Input circuit assembly-No. 23
- Input circuit assembly-No. 18
- Input circuit assembly-No. 17



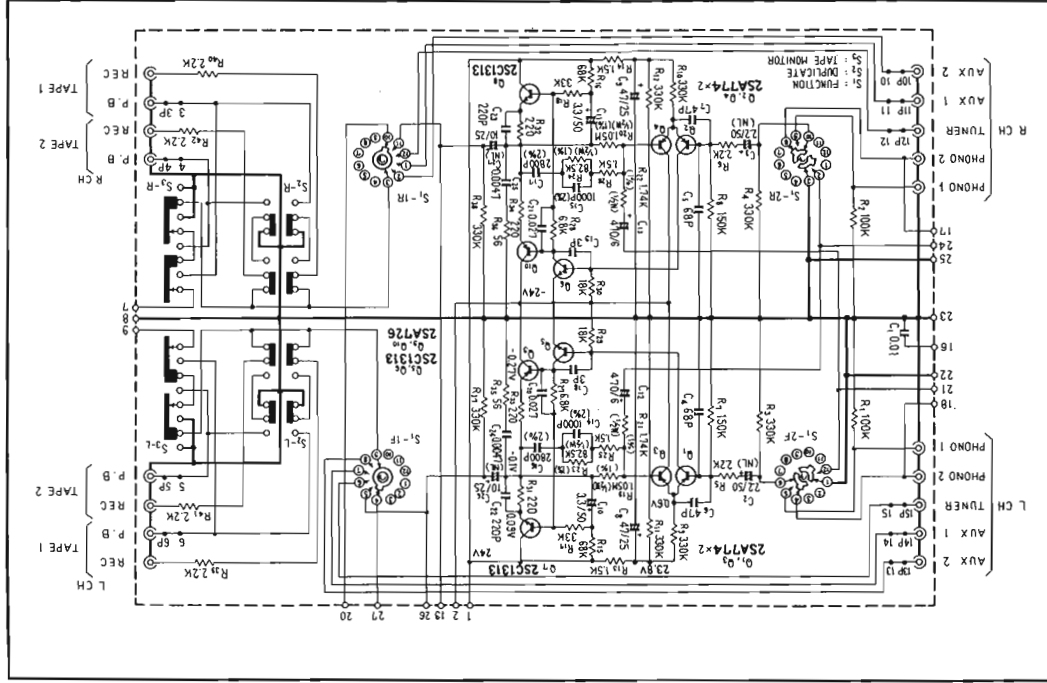
Foil side

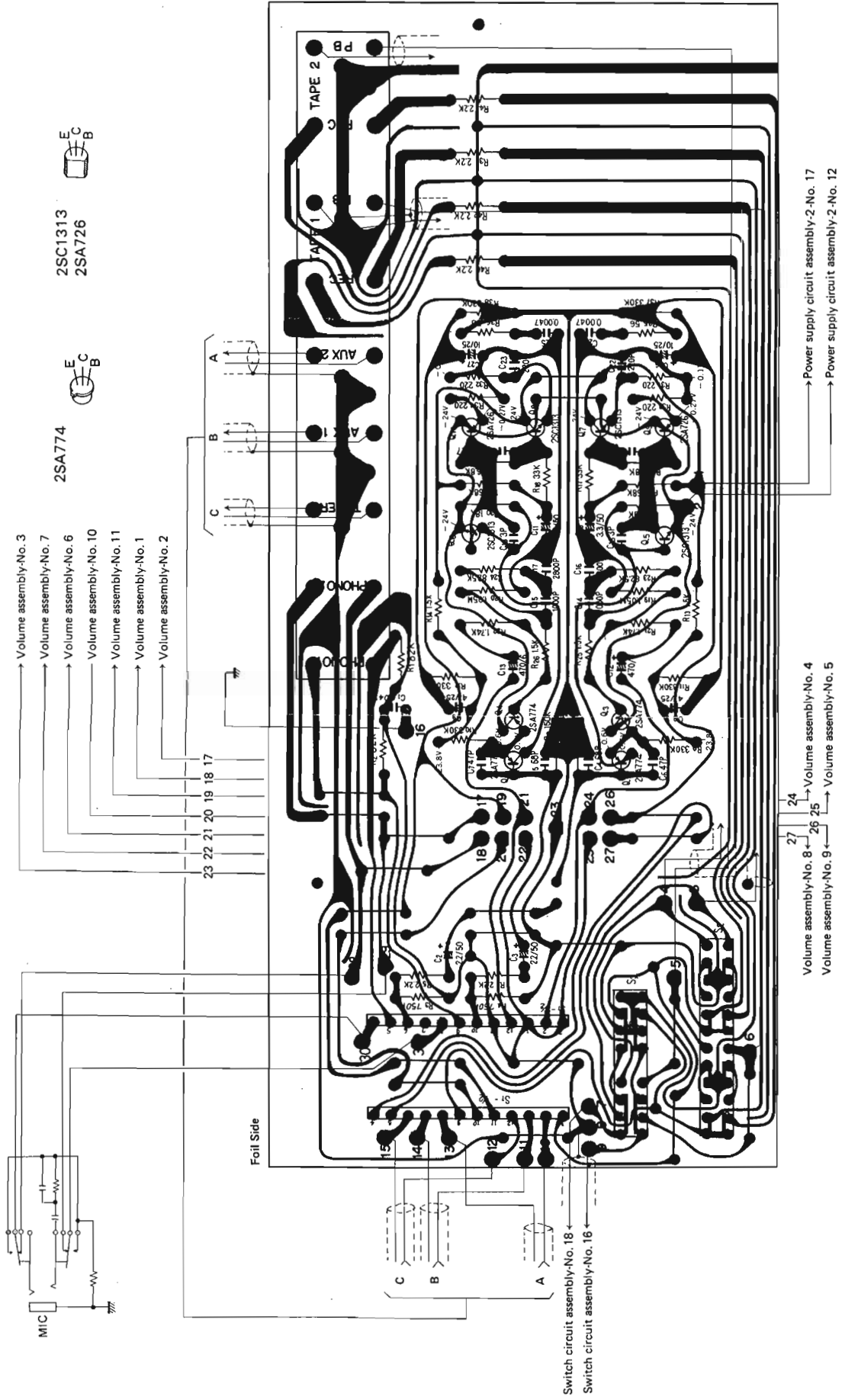
Parts List of Volume Assembly (AWX-073-A)

Symbol	Description	Part No.
R1	Carbon film 11k	RDXP5 113J
R2	Carbon film 11k	RDXP5 113J
R3	Carbon film 13k	RDXP5 133J
R4	Carbon film 13k	RDXP5 133J
VR1	Variable resistor 4-gang	ACT-146-A
VR2	Variable resistor (impedance)	ACT-304-0

RESISTORS

11.3 INPUT CIRCUIT ASSEMBLY (AWK-039-C)

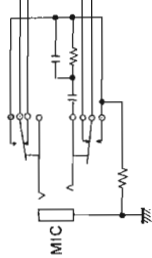




- Volume assembly-No. 3
- Volume assembly-No. 7
- Volume assembly-No. 6
- Volume assembly-No. 10
- Volume assembly-No. 11
- Volume assembly-No. 1
- Volume assembly-No. 2

- 2SC1313
- 2SA726

- 2SA774



Foil Side

- Switch circuit assembly-No. 18
- Switch circuit assembly-No. 16

- Volume assembly-No. 8
- Volume assembly-No. 4
- Volume assembly-No. 9
- Volume assembly-No. 5

- Power supply circuit assembly-2-No. 17
- Power supply circuit assembly-2-No. 12

Parts List of Input Circuit Assembly (AWK-039-C)

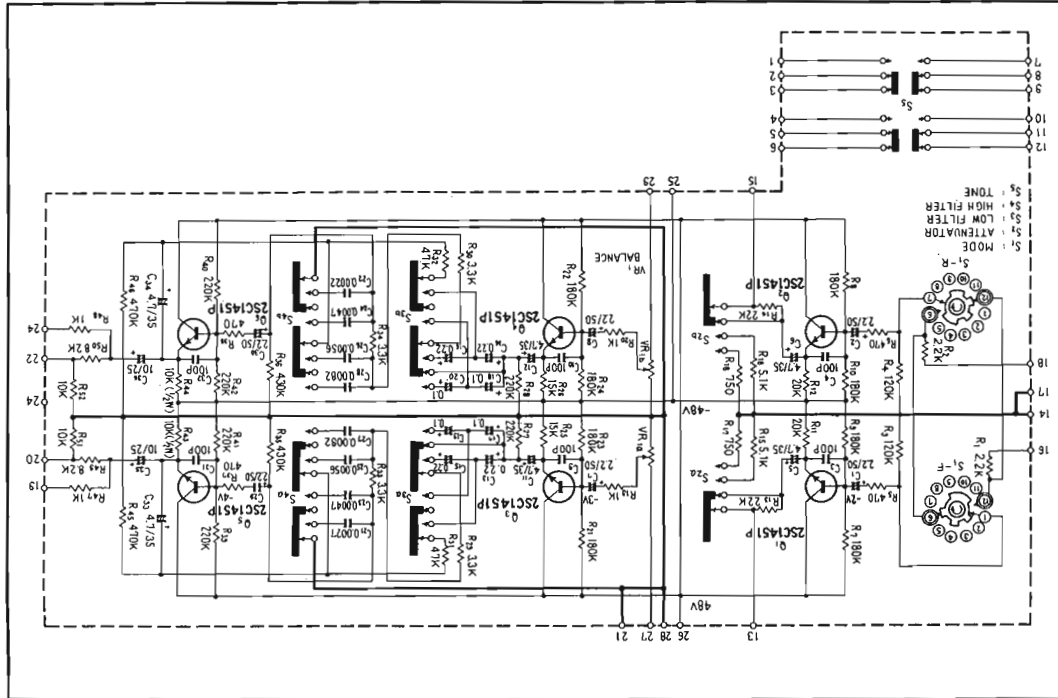
CAPACITORS

Symbol	Description	Part No.
C1	Ceramic	CKDBC 473Z 25
C2	Electrolytic	CEANL 2R2P 50
C3	Electrolytic	CEANL 2R2P 50
C4	Ceramic	CCDSL 680K 50
C5	Ceramic	CCDSL 680K 50
C6	Ceramic	CCDSL 470K 50
C7	Ceramic	CCDSL 470K 50
C8	Electrolytic	CEA 470P 25
C9	Electrolytic	CEA 470P 25
C10	Electrolytic	CEA 3R3P 50
C11	Electrolytic	CEA 3R3P 50
C12	Electrolytic	CEA 471P 6
C13	Electrolytic	CEA 471P 6
C14	Styrol	COGA 102G 50
C15	Styrol	COGA 102G 50
C16	Styrol	COSA 2R2G 50
C17	Styrol	COSA 2R2G 50
C18	Ceramic	CCDSL 030C 50
C19	Ceramic	CCDSL 030C 50
C20	Mylar	COIMA 273K 50
C21	Mylar	COIMA 273K 50
C22	Ceramic	CCDSL 221K 50
C23	Ceramic	CCDSL 221K 50
C24	Mylar	COIMA 472K 50
C25	Mylar	COIMA 472K 50
C26	Electrolytic	CEANL 100P 25
C27	Electrolytic	CEANL 100P 25

RESISTORS

Symbol	Description	Part No.
R1	Carbon film	RD4PS 823J
R2	Carbon film	RD4PS 823J
R3	Carbon film	RD4PS 754J
R4	Carbon film	RD4PS 754J
R5	Carbon film	RD4PS 222J
R6	Carbon film	RD4PS 222J
R7	Carbon film	RD4PS 154J
R8	Carbon film	RD4PS 154J
R9	Carbon film	RD4PS 330K
R10	Carbon film	RD4PS 330K
R11	Carbon film	RD4PS 334J
R12	Carbon film	RD4PS 334J
R13	Carbon film	RD4PS 152J
R14	Carbon film	RD4PS 152J
R15	Carbon film	RD4PS 683J
R16	Carbon film	RD4PS 683J
R17	Carbon film	RD4PS 333J

11.4 SWITCH CIRCUIT ASSEMBLY (AWS-082-0)



11.4 SWITCH CIRCUIT ASSEMBLY (AWS-082-0)

Symbol	Description	Part No.
R18	Carbon film	RD4PS 333J
R19	Metal film	RN4SS 1054F
R20	Metal film	RN4SS 1054F
R21	Metal film	RN4SR 1741F
R22	Metal film	RN4SR 1741F
R23	Metal film	RN4SR 8252F
R24	Metal film	RN4SR 8252F
R25	Carbon film	RD4PS 152J
R26	Carbon film	RD4PS 152J
R27	Carbon film	RD4PS 682J
R28	Carbon film	RD4PS 682J
R29	Carbon film	RD4PS 183J
R30	Carbon film	RD4PS 183J
R31	Carbon film	RD4PS 221P
R32	Carbon film	RD4PS 221P
R33	Carbon film	RD4PS 221P
R34	Carbon film	RD4PS 221P
R35	Carbon film	RD4PS 560J
R36	Carbon film	RD4PS 560J
R37	Carbon film	RD4PS 334J
R38	Carbon film	RD4PS 334J
R39	Carbon film	RD4PS 222J
R40	Carbon film	RD4PS 222J
R41	Carbon film	RD4PS 222J
R42	Carbon film	RD4PS 222J

SEMICONDUCTORS

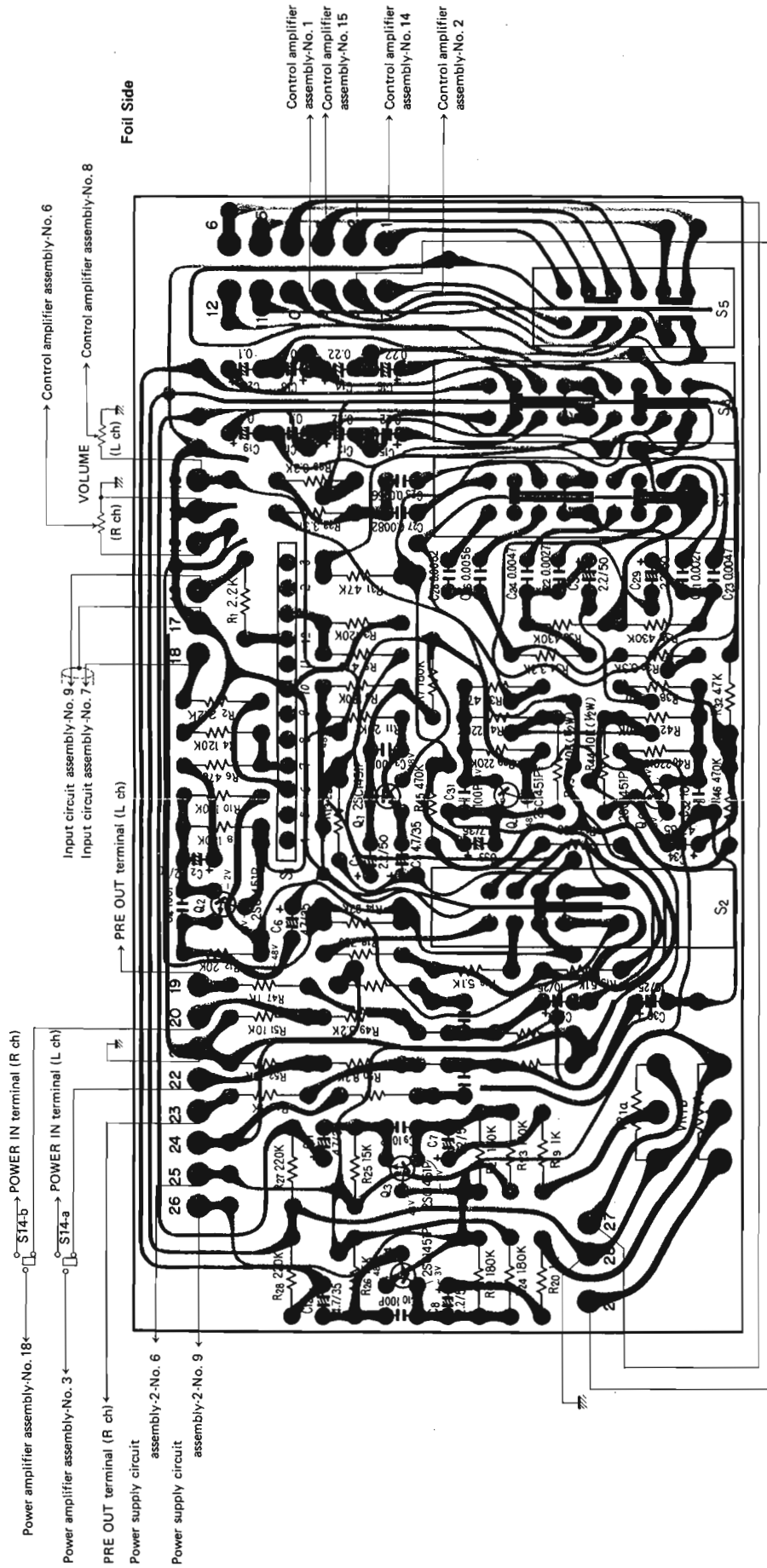
Symbol	Description	Part No.
Q1	Transistor 2SA774-T	
Q2	Transistor 2SA774-T	
Q3	Transistor 2SA774-T	
Q4	Transistor 2SA774-T	
Q5	Transistor 2SC1313-G	
Q6	Transistor 2SC1313-G	
Q7	Transistor 2SC1313-G	
Q8	Transistor 2SC1313-G	
Q9	Transistor 2SA726-G	
Q10	Transistor 2SA726-G	

SWITCHES

Symbol	Description	Part No.
S1	Rotary switch (FUNCTION)	ASD-021-A
S2	Lever switch(TAPE DUPLICATOR)	ASK-084-0
S3	Lever switch(TAPE MONITOR)	ASK-086-B

OTHERS

Symbol	Description	Part No.
	Phono jack	AKB-023-0
	Phono jack	AKB-024-0



Parts List of Switch Circuit Assembly (AWS-082-0)

CAPACITORS

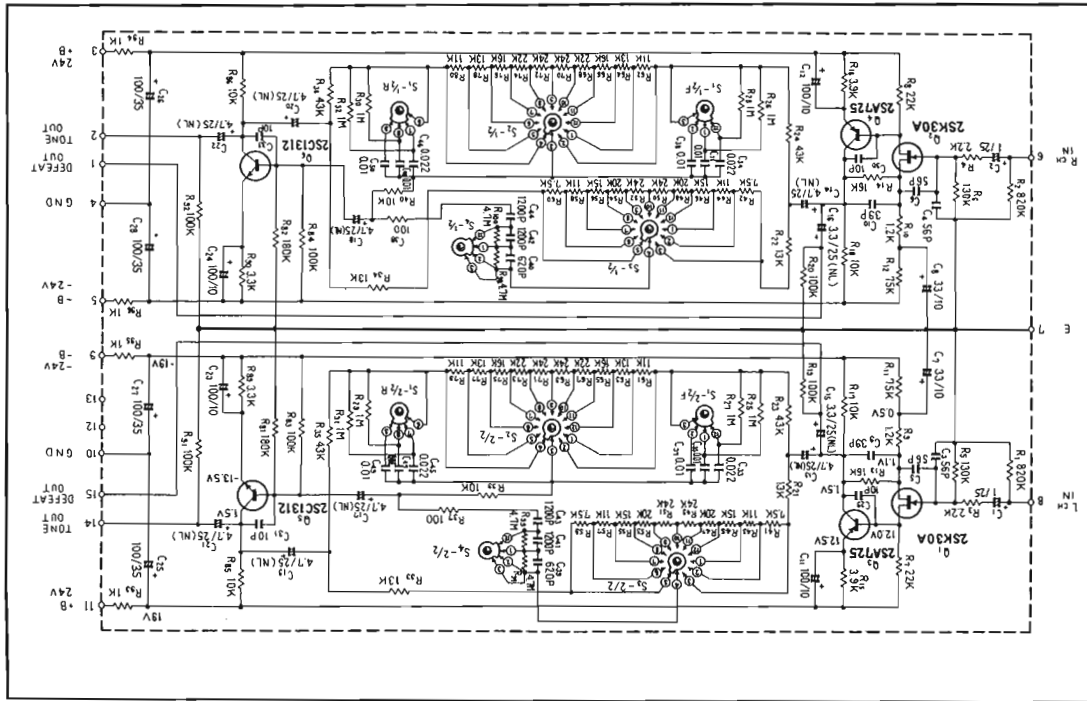
Symbol	Description	Part No.
C6	Electrolytic 4.7 35V	CEANL 4R7P 35
C7	Electrolytic 2.2 50V	CEANL 2R2P 50
C8	Electrolytic 2.2 50V	CEANL 2R2P 50
C9	Ceramic 100p 50V	CCDSL 101K 50
C10	Ceramic 100p 50V	CCDSL 101K 50

Symbol	Description	Part No.
C1	Electrolytic 2.2 50V	CEANL 2R2P 50
C2	Electrolytic 2.2 50V	CEANL 2R2P 50
C3	Ceramic 100p 50V	CCDSL 101K 50
C4	Ceramic 100p 50V	CCDSL 101K 50
C5	Electrolytic 4.7 35V	CEANL 4R7P 35



2SC1451P

11.5 CONTROL AMPLIFIER ASSEMBLY (AWG-032-0)



Symbol	Description	Part No.
R21	Carbon film	RD4/PS 184J
R22	Carbon film	RD4/PS 184J
R23	Carbon film	RD4/PS 184J
R24	Carbon film	RD4/PS 184J
R25	Carbon film	RD4/PS 153J
R26	Carbon film	RD4/PS 153J
R27	Carbon film	RD4/PS 224J
R28	Carbon film	RD4/PS 224J
R29	Carbon film	RD4/PS 332J
R30	Carbon film	RD4/PS 332J
R31	Carbon film	RD4/PS 473J
R32	Carbon film	RD4/PS 473J
R33	Carbon film	RD4/PS 332J
R34	Carbon film	RD4/PS 332J
R35	Carbon film	RD4/PS 434J
R36	Carbon film	RD4/PS 434J
R37	Carbon film	RD4/PS 471J
R38	Carbon film	RD4/PS 471J
R39	Carbon film	RD4/PS 224J
R40	Carbon film	RD4/PS 224J
R41	Carbon film	RD4/PS 224J
R42	Carbon film	RD4/PS 103J
R43	Carbon film	RD4/PS 103J
R44	Carbon film	RD4/PS 103J
R45	Carbon film	RD4/PS 474J
R46	Carbon film	RD4/PS 474J
R47	Carbon film	RD4/PS 102J
R48	Carbon film	RD4/PS 102J
R49	Carbon film	RD4/PS 822J
R50	Carbon film	RD4/PS 822J
VR1	Variable resistor 50k-HB (BALANCE)	ACV-148-0

SEMICONDUCTORS

Symbol	Description	Part No.
Q1	Transistor 25C1451P-V or S	
Q2	Transistor 25C1451P-V or S	
Q3	Transistor 25C1451P-V or S	
Q4	Transistor 25C1451P-V or S	
Q5	Transistor 25C1451P-V or S	
Q6	Transistor 25C1451P-V or S	

SWITCHES

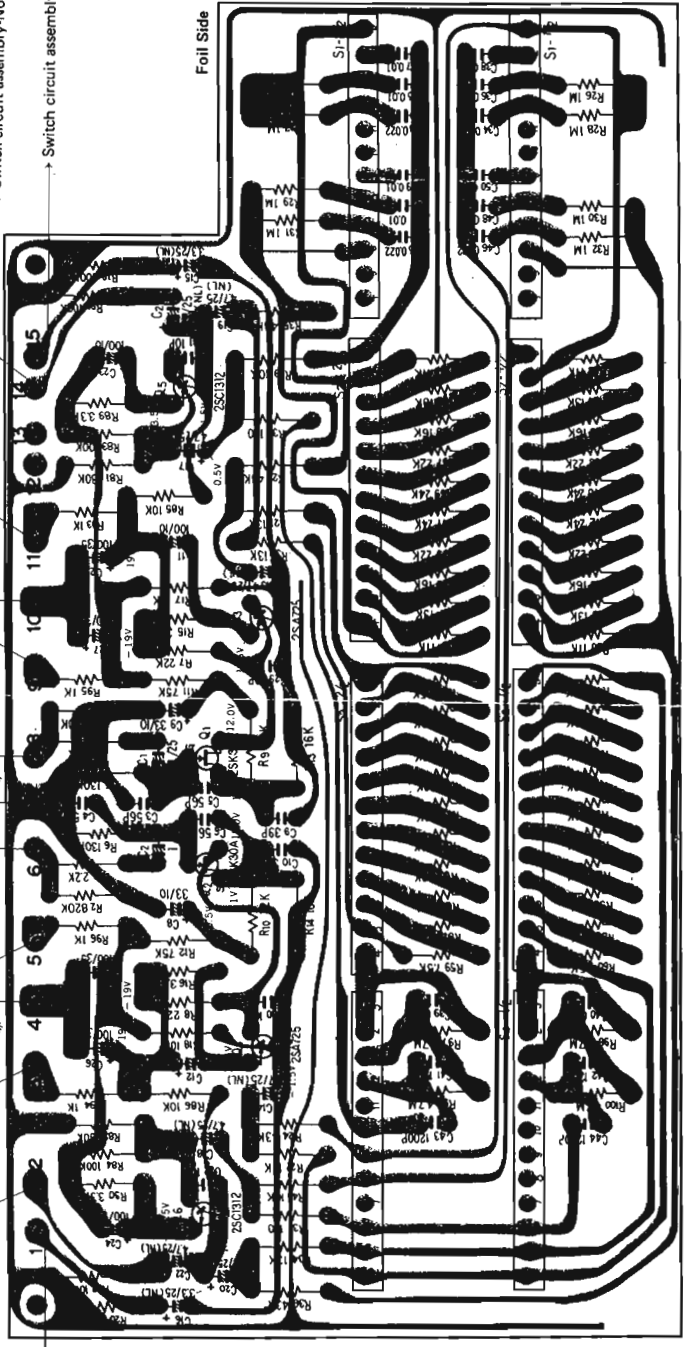
Symbol	Description	Part No.
S1	Rotary switch (MODE)	ASD-020-A
S2	Lever switch (ATTENUATOR)	ASK-387-A
S3	Lever switch (LOW FILTER)	ASK-385-0
S4	Lever switch (HIGH FILTER)	ASK-385-0
S5	Lever switch (TONE)	ASK-092-0

Symbol	Description	Part No.
C11	Electrolytic	CEANL 4R7P 35
C12	Electrolytic	CEANL 4R7P 35
C13	Electrolytic	CSZA R22M 35
C14	Electrolytic	CSZA R22M 35
C15	Electrolytic	CSZA R22M 35
C16	Electrolytic	CSZA R22M 35
C17	Electrolytic	CSZA OR1M 35
C18	Electrolytic	CSZA OR1M 35
C19	Electrolytic	CSZA OR1M 35
C20	Electrolytic	CSZA OR1M 35
C21	Mylar	COMA 272J 50
C22	Mylar	COMA 272J 50
C23	Mylar	COMA 472J 50
C24	Mylar	COMA 472J 50
C25	Mylar	COMA 562J 50
C26	Mylar	COMA 562J 50
C27	Mylar	COMA 822J 50
C28	Mylar	COMA 822J 50
C29	Mylar	COMA 822J 50
C30	Electrolytic	CEANL 2R2P 50
C31	Electrolytic	CEANL 2R2P 50
C32	Ceramic	CCDSL 101K 50
C33	Ceramic	CCDSL 101K 50
C34	Electrolytic	CEANL 4R7P 35
C35	Electrolytic	CEANL 4R7P 35
C36	Electrolytic	CEANL 100P 25

RESISTORS AND POTENTIOMETER

Symbol	Description	Part No.
R1	Carbon film	RD4/PS 222J
R2	Carbon film	RD4/PS 222J
R3	Carbon film	RD4/PS 124J
R4	Carbon film	RD4/PS 124J
R5	Carbon film	RD4/PS 471J
R6	Carbon film	RD4/PS 471J
R7	Carbon film	RD4/PS 184J
R8	Carbon film	RD4/PS 184J
R9	Carbon film	RD4/PS 184J
R10	Carbon film	RD4/PS 184J
R11	Carbon film	RD4/PS 203J
R12	Carbon film	RD4/PS 203J
R13	Carbon film	RD4/PS 223J
R14	Carbon film	RD4/PS 223J
R15	Carbon film	RD4/PS 512J
R16	Carbon film	RD4/PS 512J
R17	Carbon film	RD4/PS 751J
R18	Carbon film	RD4/PS 751J
R19	Carbon film	RD4/PS 102J
R20	Carbon film	RD4/PS 102J

Switch circuit assembly-No. 15  
 Switch circuit assembly-No. 13  
 Power supply circuit assembly-2-No. 6  
 Power supply circuit assembly-2-No. 18  
 Switch circuit assembly-No. 7  
 Switch circuit assembly-No. 9  
 Switch circuit assembly-No. 3



- 2SA725
- 2SC1312
- (2SC1344)
- 2SK30AW
- (2SA763F)
- (2SK34)



Parts List of Control Amplifier Assembly (AWG-032-0)

CAPACITORS		Part No.
Symbol	Description	
C1	Electrolytic	1 25V
C2	Electrolytic	1 25V
C3	Ceramic	56p
C4	Ceramic	56p
C5	Ceramic	50V
C6	Ceramic	50V
C7	Electrolytic	33 10V
C8	Electrolytic	33 10V
C9	Ceramic	39p
C10	Ceramic	39p
C11	Electrolytic	100 10V
C12	Electrolytic	100 10V
C13	Electrolytic	4.7 25V
C14	Electrolytic	4.7 25V
C15	Electrolytic	3.3 25V
C16	Electrolytic	3.3 25V
C17	Electrolytic	4.7 25V
C18	Electrolytic	4.7 25V
C19	Electrolytic	4.7 25V
C20	Electrolytic	4.7 25V
C21	Electrolytic	4.7 25V
C22	Electrolytic	4.7 25V
C23	Electrolytic	100 10V
C24	Electrolytic	100 10V
C25	Electrolytic	100 35V
C26	Electrolytic	100 35V
C27	Electrolytic	100 35V
C28	Electrolytic	100 35V
C29	Ceramic	10p
C30	Ceramic	10p
C31	Ceramic	10p
C32	Ceramic	10p

RESISTORS		Part No.
Symbol	Description	
R1	Carbon film	820k
R2	Carbon film	820k
R3	Carbon film	2.2k
R4	Carbon film	2.2k
R5	Carbon film	130k
R6	Carbon film	130k
R7	Carbon film	22k
R8	Carbon film	22k
R9	Carbon film	1.2k
R10	Carbon film	1.2k
R11	Carbon film	75k
R12	Carbon film	75k

Symbol	Description	Part No.
R13	Carbon film	16k
R14	Carbon film	16k
R15	Carbon film	3.9k
R16	Carbon film	3.9k
R17	Carbon film	10k
R18	Carbon film	10k
R19	Carbon film	100k
R20	Carbon film	100k
R21	Carbon film	13k
R22	Carbon film	13k
R23	Carbon film	43k
R24	Carbon film	43k
R25	Carbon film	1M
R26	Carbon film	1M
R27	Carbon film	1M
R28	Carbon film	1M
R29	Carbon film	1M
R30	Carbon film	1M
R31	Carbon film	1M
R32	Carbon film	1M
R33	Carbon film	13k
R34	Carbon film	13k
R35	Carbon film	43k
R36	Carbon film	43k
R37	Carbon film	100
R38	Carbon film	100
R39	Carbon film	10k
R40	Carbon film	10k
R41	Carbon film	7.5k
R42	Carbon film	7.5k
R43	Carbon film	11k
R44	Carbon film	11k
R45	Carbon film	15k
R46	Carbon film	15k
R47	Carbon film	20k
R48	Carbon film	20k
R49	Carbon film	24k
R50	Carbon film	24k
R51	Carbon film	24k
R52	Carbon film	24k
R53	Carbon film	20k
R54	Carbon film	20k
R55	Carbon film	15k
R56	Carbon film	15k
R57	Carbon film	11k
R58	Carbon film	11k
R59	Carbon film	7.5k
R60	Carbon film	7.5k
R61	Carbon film	11k
R62	Carbon film	11k
R63	Carbon film	13k

Symbol	Description	Part No.
R64	Carbon film	13k
R65	Carbon film	16k
R66	Carbon film	16k
R67	Carbon film	22k
R68	Carbon film	22k
R69	Carbon film	24k
R70	Carbon film	24k
R71	Carbon film	24k
R72	Carbon film	24k
R73	Carbon film	22k
R74	Carbon film	22k
R75	Carbon film	16k
R76	Carbon film	16k
R77	Carbon film	13k
R78	Carbon film	13k
R79	Carbon film	11k
R80	Carbon film	11k
R81	Carbon film	180k
R82	Carbon film	180k
R83	Carbon film	100k
R84	Carbon film	100k
R85	Carbon film	10k
R86	Carbon film	10k
R87	Carbon film	100
R88	Carbon film	100
R89	Carbon film	3.3k
R90	Carbon film	3.3k
R91	Carbon film	100k
R92	Carbon film	100k
R93	Carbon film	1k
R94	Carbon film	1k
R95	Carbon film	1k
R96	Carbon film	1k
R97	Carbon film	4.7M
R98	Carbon film	4.7M
R99	Carbon film	4.7M
R100	Carbon film	4.7M

Symbol	Description	Part No.
O6	Transistor	ZSC1312-H or G (ZSC1344-E, F)

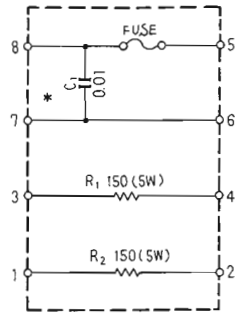
SWITCHES

Symbol	Description	Part No.
S1	Rotary switch (BASS TURNOVER)	ASD-032-A
S2	Rotary switch (BASS TURNOVER)	ASD-033-A
S3	Rotary switch (TREBLE)	ASD-034-A
S4	Rotary switch (TREBLE TURNOVER)	ASD-035-A

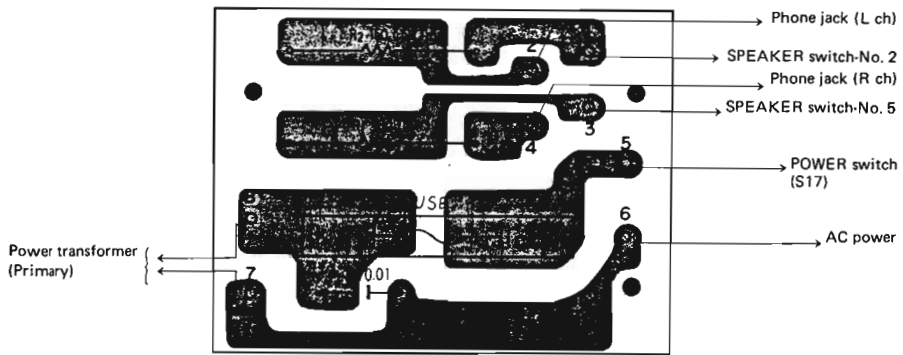
SEMICONDUCTORS

Symbol	Description	Part No.
Q1	Transistor	ZSK30AW-Y (ZSK34-C)
Q2	Transistor	ZSK30AW-Y (ZSK34-C)
Q3	Transistor	2SA725-G or F (2SA763F-5,6)
Q4	Transistor	2SA725-G or F (2SA763F-5,6)
Q5	Transistor	ZSC1312-H or G (ZSC1344-E, F)

11.6 FUSE ASSEMBLY (AWX-088-0), (AWX-085-0) or (AWX-086-0)



NOTE:  
C1 is not equipped in  
AWX-086.



Parts List of Fuse Assembly (AWX-088-0) or (AWX-085-0)

CAPACITOR

Symbol	Description	Part No.
C1	Ceramic 0.01 250V	ACG-001-0

RESISTORS

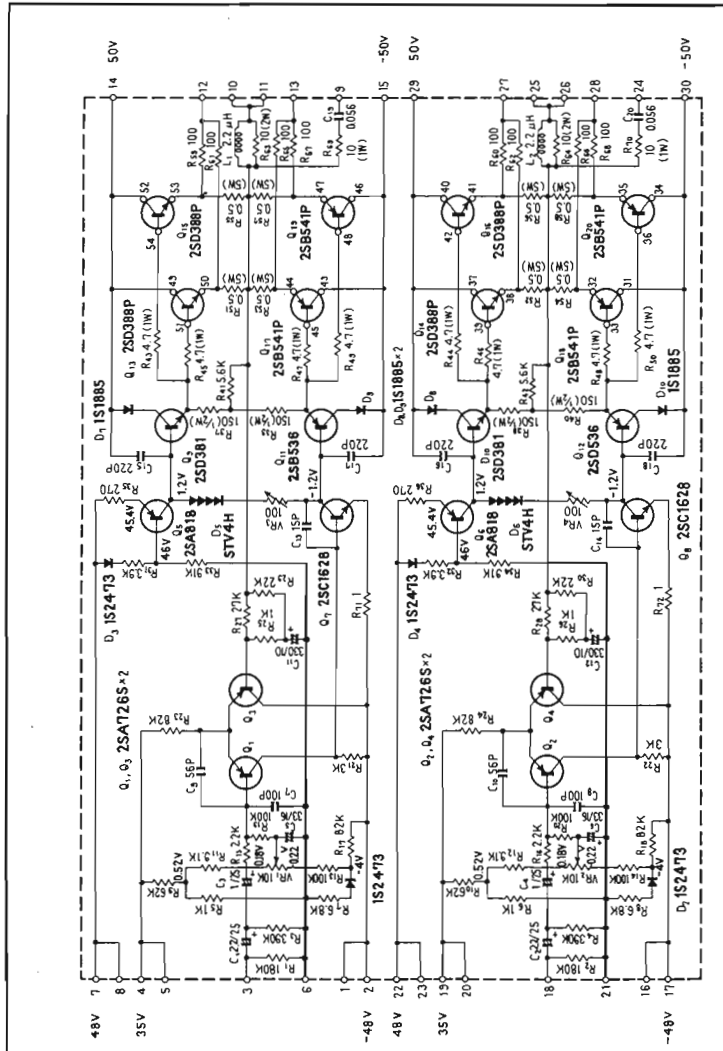
Symbol	Description	Part No.
R1	Wire wound 150 5W	RT5B 151K
R2	Wire wound 150 5W	RT5B 151K

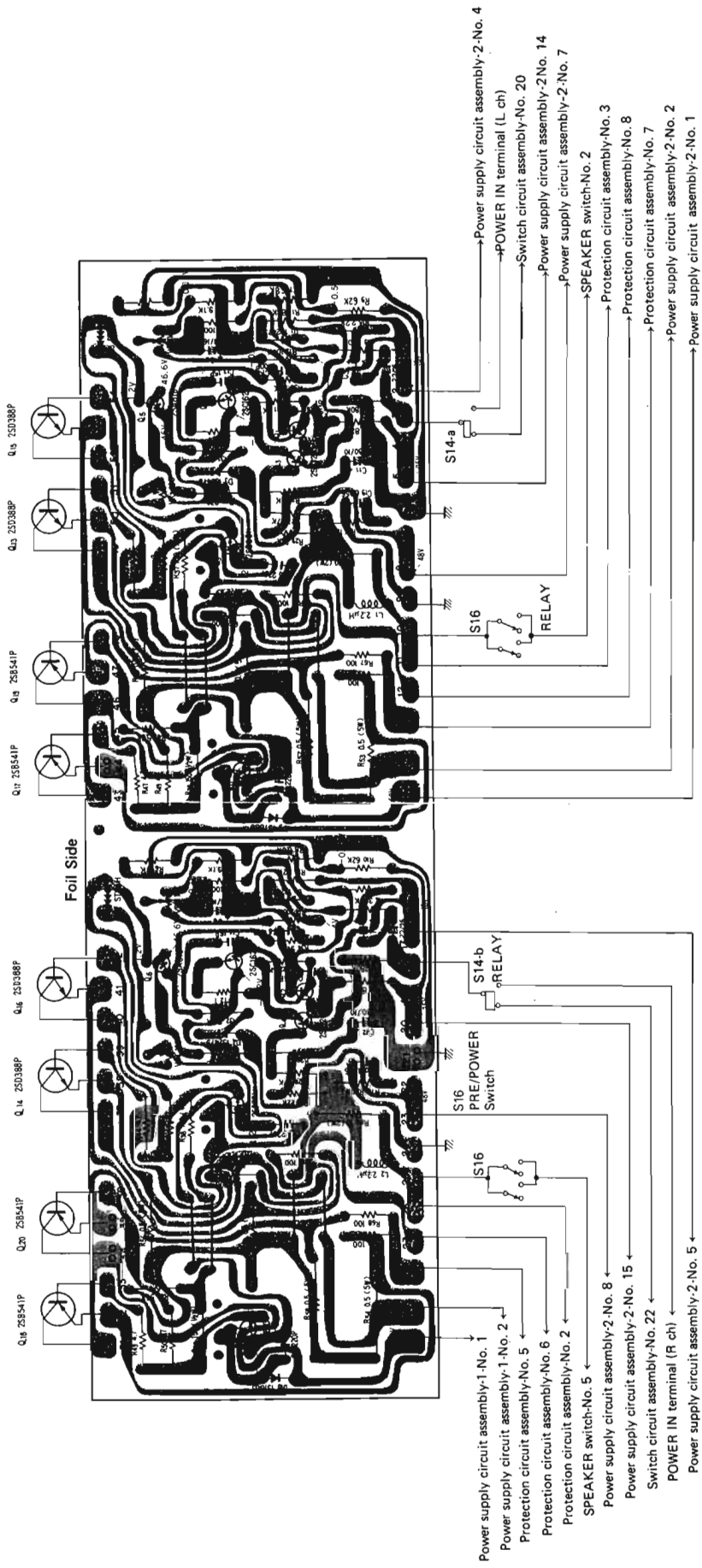
Parts List of Fuse Assembly (AWX-086-0)

RESISTORS

Symbol	Description	Part No.
R1	Wire wound 150 5W	RT5B 151K
R2	Wire wound 150 5W	RT5B 151K

11.7 POWER AMPLIFIER ASSEMBLY (AWH-041-0)





- 2SD388P (2SD370S)
- 2SB541P (2SC1403A)
- 2SB530S (2SA745A)
- 2SD381 (2SB527)
- 2SB536 (2SC1451)
- 2SA726S (2SA763S)
- 2SA818 (2SC1628)



Power supply circuit assembly-1-No. 1  
 Power supply circuit assembly-1-No. 2  
 Protection circuit assembly-No. 5  
 Protection circuit assembly-No. 6  
 Protection circuit assembly-No. 2  
 SPEAKER switch-No. 5  
 Power supply circuit assembly-2-No. 8  
 Power supply circuit assembly-2-No. 15  
 Switch circuit assembly-No. 22  
 POWER IN terminal (R ch)  
 Power supply circuit assembly-2-No. 5  
 Power supply circuit assembly-2-No. 4  
 POWER IN terminal (L ch)  
 Switch circuit assembly-No. 14  
 Power supply circuit assembly-2-No. 7  
 SPEAKER switch-No. 2  
 Protection circuit assembly-No. 3  
 Protection circuit assembly-No. 8  
 Protection circuit assembly-No. 7  
 Power supply circuit assembly-2-No. 2  
 Power supply circuit assembly-2-No. 1

Parts List of Power Amplifier Assembly (AWH-041-0)

CAPACITORS

Symbol	Description	Part No.		
C1	Electrolytic	2.2	25V	CSSA 2R2M 25
C2	Electrolytic	2.2	25V	CSSA 2R2M 25
C3	Electrolytic	1	25V	CSSA 010M 25
C4	Electrolytic	1	25V	CSSA 010M 25
C5	Electrolytic	33	16V	CEA 330P 16
C6	Electrolytic	33	16V	CEA 330P 16
C7	Ceramic	100k	50V	CCDSL 101K 50
C8	Ceramic	100k	50V	CCDSL 101K 50
C9	Ceramic	56P	50V	CCDSL 560K 50
C10	Ceramic	56P	50V	CCDSL 560K 50
C11	Electrolytic	330	10V	CEA 331P 10
C12	Electrolytic	330	10V	CEA 331P 10
C13	Ceramic	15P	500V	CCDSL 150K 500
C14	Ceramic	15P	500V	CCDSL 150K 500
C15	Ceramic	220P	500V	CCDSL 221K 500
C16	Ceramic	220P	500V	CCDSL 221K 500
C17	Ceramic	220P	500V	CCDSL 221K 500
C18	Ceramic	220P	500V	CCDSL 221K 500
C19	Mylar	0.056	50V	COMA 563M 50
C20	Mylar	0.056	50V	COMA 563M 50

RESISTORS

Symbol	Description	Part No.	
R1	Carbon film	180k	RD4PS 184J
R2	Carbon film	180k	RD4PS 184J
R3	Carbon film	390k	RD4PS 394J
R4	Carbon film	390k	RD4PS 394J
R5	Carbon film	1k	RD4PS 102J
R6	Carbon film	1k	RD4PS 102J
R7	Carbon film	6.8k	RD4PS 682J
R8	Carbon film	6.8k	RD4PS 682J
R9	Carbon film	62k	RD4PS 623J
R10	Carbon film	62k	RD4PS 623J
R11	Carbon film	9.1k	RD4PS 912J
R12	Carbon film	9.1k	RD4PS 912J
R13	Carbon film	100k	RD4PS 104J
R14	Carbon film	100k	RD4PS 104J
R15	Carbon film	2.2k	RD4PS 222J
R16	Carbon film	2.2k	RD4PS 222J
R17	Carbon film	82k	RD4PS 823J
R18	Carbon film	82k	RD4PS 823J
R19	Carbon film	100k	RD4PS 104J
R20	Carbon film	100k	RD4PS 104J
R21	Carbon film	3k	RD4PS 302J
R22	Carbon film	3k	RD4PS 302J
R23	Carbon film	82k	RD4PS 823J
R24	Carbon film	82k	RD4PS 823J
R25	Carbon film	1k	RD4PS 102J

POTENTIOMETERS

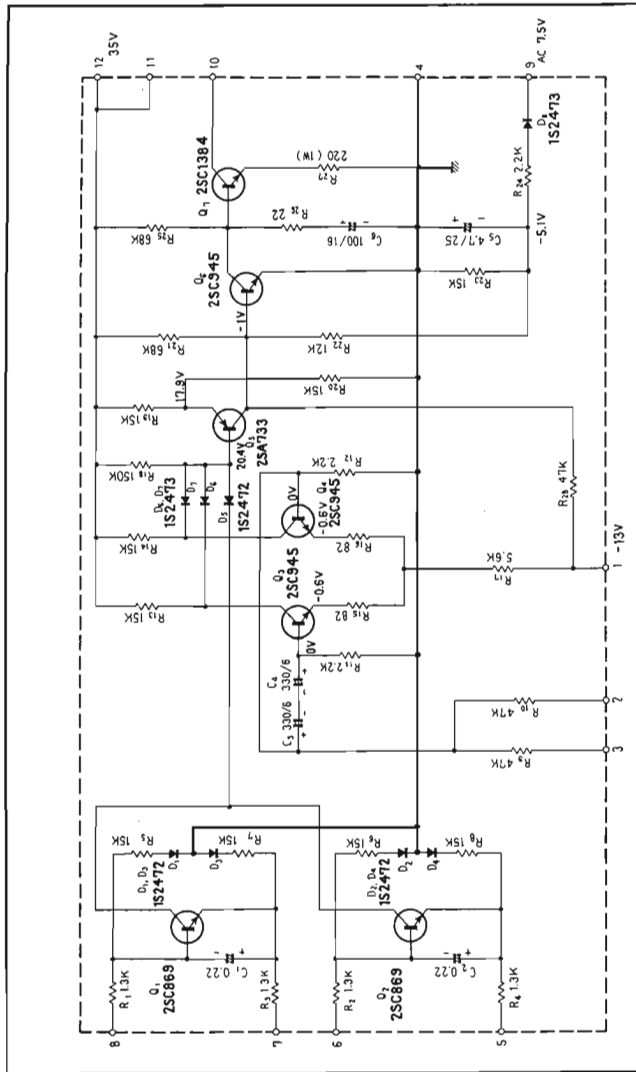
Symbol	Description	Part No.
VR1	Variable resistor (semi-fixed) 10k-B	ACP-029-A
VR2	Variable resistor (semi-fixed) 10k-B	ACP-029-A
VR3	Variable resistor (semi-fixed) 100-B	ACP-019-B
VR4	Variable resistor (semi-fixed) 100-B	ACP-019-B

SEMICONDUCTORS

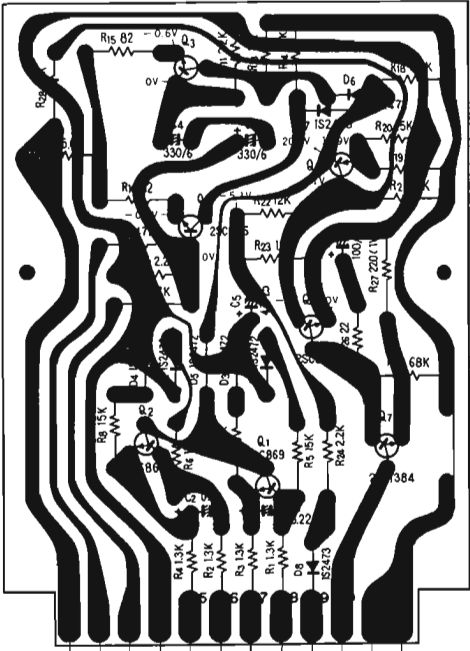
Symbol	Description	Part No.
Q1	Transistor 2SA726S-F or G (2SA763S-5,6,7)	
Q2	Transistor 2SA726S-F or G (2SA763S-5,6,7)	
Q3	Transistor 2SA726S-F or G (2SA763S-5,6,7)	
Q4	Transistor 2SA726S-F or G (2SA763S-5,6,7)	
Q5	Transistor 2SA726S-F or G (2SA763S-5,6,7)	
Q6	Transistor 2SA726S-F or G (2SA763S-5,6,7)	
Q7	Transistor 2SC1628-Y (2SC1451-B or V)	
Q8	Transistor 2SC1628-Y (2SC1451-B or V)	
Q9	Transistor 2SD381-M	
Q10	Transistor 2SD381-M	
Q11	Transistor 2SB536-M	
Q12	Transistor 2SB536-M	

Symbol	Description	Part No.	
R26	Carbon film	1k	RD4PS 102J
R27	Carbon film	27k	RD4PS 273J
R28	Carbon film	27k	RD4PS 273J
R29	Carbon film	22k	RD4PS 223J
R30	Carbon film	22k	RD4PS 223J
R31	Carbon film	3.9k	RD4PS 392J
R32	Carbon film	3.9k	RD4PS 392J
R33	Carbon film	91k	RD4PS 913J
R34	Carbon film	91k	RD4PS 913J
R35	Carbon film	91k	RD4PS 913J
R36	Carbon film	270	RD4PS 271J
R37	Carbon film	150	RD4PS 151J
R38	Carbon film	150	RD4PS 151J
R39	Carbon film	150	RD4PS 151J
R40	Carbon film	150	RD4PS 151J
R41	Carbon film	5.6k	RD4PS 562J
R42	Carbon film	5.6k	RD4PS 562J
R43	Metal film	4.7	RN1H 4R7K
R44	Metal film	4.7	RN1H 4R7K
R45	Metal film	4.7	RN1H 4R7K
R46	Metal film	4.7	RN1H 4R7K
R47	Metal film	4.7	RN1H 4R7K
R48	Metal film	4.7	RN1H 4R7K
R49	Metal film	4.7	RN1H 4R7K
R50	Metal film	4.7	RN1H 4R7K
R51	Wire wound	0.5	RT5B 0R5K
R52	Wire wound	0.5	RT5B 0R5K
R53	Wire wound	0.5	RT5B 0R5K
R54	Wire wound	0.5	RT5B 0R5K
R55	Wire wound	0.5	RT5B 0R5K
R56	Wire wound	0.5	RT5B 0R5K
R57	Wire wound	0.5	RT5B 0R5K
R58	Wire wound	0.5	RT5B 0R5K
R59	Carbon film	100	RD4PS 101J
R60	Carbon film	100	RD4PS 101J
R61	Carbon film	100	RD4PS 101J
R62	Carbon film	100	RD4PS 101J
R63	Metal oxide	10	RS2P 100J
R64	Metal oxide	10	RS2P 100J
R65	Carbon film	100	RD4PS 101J
R66	Carbon film	100	RD4PS 101J
R67	Carbon film	100	RD4PS 101J
R68	Carbon film	100	RD4PS 101J
R69	Metal oxide	10	RS1P 100J
R70	Metal oxide	10	RS1P 100J
R71	Carbon film	1	RD4PS 010J
R72	Carbon film	1	RD4PS 010J

11.8 PROTECTION CIRCUIT ASSEMBLY (AWM-074-0)



Foil side



- Power supply circuit assembly-2-No. 11
- Power amplifier assembly-No. 26
- Power amplifier assembly-No. 11
- Power amplifier assembly-No. 28
- Power amplifier assembly-No. 27
- Power supply circuit assembly-2-No. 16
- Relay coil
- Power supply circuit assembly-2-No. 8
- Power amplifier assembly-No. 12
- Power amplifier assembly-No. 13

2SC869



2SC945  
2SA733



2SC1384



Parts List of Protection Circuit Assembly (AWM-074-0)

CAPACITORS

Symbol	Description	Part No.
C1	Electrolytic 0.22 10V	CSSA R22M 10
C2	Electrolytic 0.22 10V	CSSA R22M 10
C3	Electrolytic 330 6V	CEA 331P 6
C4	Electrolytic 330 6V	CEA 331P 6
C5	Electrolytic 4.7 25V	CEA 4R7P 25
C6	Electrolytic 4.7 25V	CEA 4R7P 25

Symbol	Description	Part No.
Q7	Transistor 2SC1384-R or Q	
D1	Diode 1S2472	
D2	Diode 1S2472	
D3	Diode 1S2472	
D4	Diode 1S2472	
D5	Diode 1S2472	
D6	Diode 1S2473	
D7	Diode 1S2473	
D8	Diode 1S2473	

RESISTORS

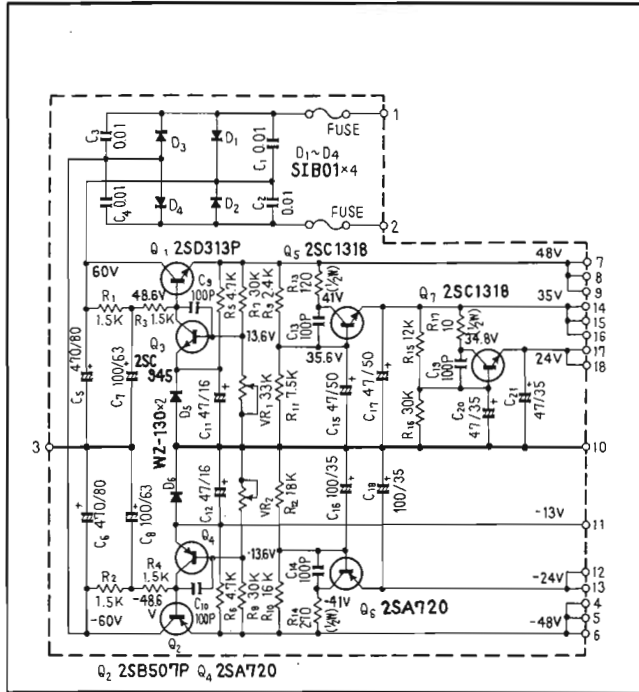
Symbol	Description	Part No.
R1	Carbon film 1.3k	RDXPS 132J
R2	Carbon film 1.3k	RDXPS 132J
R3	Carbon film 1.3k	RDXPS 132J
R4	Carbon film 1.3k	RDXPS 132J
R5	Carbon film 15k	RDXPS 153J
R6	Carbon film 15k	RDXPS 153J
R7	Carbon film 15k	RDXPS 153J
R8	Carbon film 15k	RDXPS 153J
R9	Carbon film 47k	RDXPS 473J
R10	Carbon film 47k	RDXPS 473J
R11	Carbon film 1.3k	RDXPS 132J
R12	Carbon film 1.3k	RDXPS 132J
R13	Carbon film 15k	RDXPS 153J
R14	Carbon film 15k	RDXPS 153J
R15	Carbon film 82	RDXPS 820J
R16	Carbon film 82	RDXPS 820J
R17	Carbon film 5.6k	RDXPS 562J
R18	Carbon film 150k	RDXPS 154J
R19	Carbon film 15k	RDXPS 153J
R20	Carbon film 15k	RDXPS 153J
R21	Carbon film 68k	RDXPS 683J
R22	Carbon film 12k	RDXPS 123J
R23	Carbon film 15k	RDXPS 153J
R24	Carbon film 2.2k	RDXPS 222J
R25	Carbon film 68k	RDXPS 683J
R26	Carbon film 22	RDXPS 220J
R27	Metal oxide 220 1W	RS1P 221J
R28	Carbon film 47k	RDXPS 473J

SEMICONDUCTORS

Symbol	Description	Part No.
Q1	Transistor 2SC869-C or D	
Q2	Transistor 2SC869-C or D	
Q3	Transistor 2SC945-Q or R	
Q4	Transistor 2SC945-Q or R	
Q5	Transistor 2SA733-Q or R	
Q6	Transistor 2SC945-Q or R	

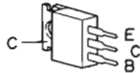


11.9 POWER SUPPLY CIRCUIT ASSEMBLY-2 (AWR-075-A) or (AWR-090-0)

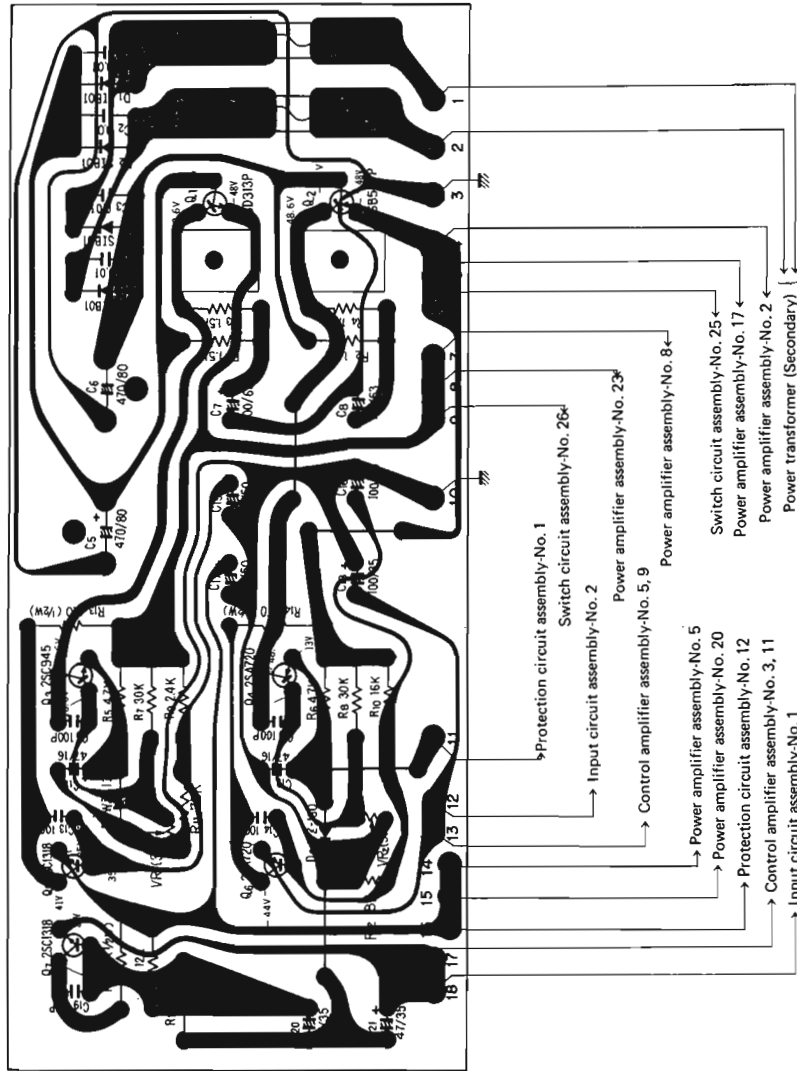


2SC945  
2SA720  
2SC1318

2SD313P  
2SB507



Foil side



Parts List of Power Supply Circuit Assembly-2 (AWR-075-A) or (AWR-090-0)

CAPACITORS

Symbol	Description	Part No.
C1	Ceramic 0.01 150V	ACG-004-0
C2	Ceramic 0.01 150V	ACG-004-0
C3	Ceramic 0.01 150V	ACG-004-0
C4	Ceramic 0.01 150V	ACG-004-0
C5	Electrolytic 470 80V	ACH-038-0
C6	Electrolytic 470 80V	ACH-038-0
C7	Electrolytic 100 63V	CEA 101P 63
C8	Electrolytic 100 63V	CEA 101P 63
C9	Ceramic 100p 50V	CCDSL 101K 50
C10	Ceramic 100p 50V	CCDSL 101K 50
C11	Electrolytic 47 16V	CEA 470P 16
C12	Electrolytic 47 16V	CEA 470P 16
C13	Ceramic 100p 50V	CCDSL 101K 50
C14	Ceramic 100p 50V	CCDSL 101K 50
C15	Electrolytic 47 50V	CEA 470P 50
C16	Electrolytic 100 35V	CEA 101P 35
C17	Electrolytic 47 50V	CEA 470P 50
C18	Electrolytic 100 35V	CEA 101P 35
C19	Ceramic 100p 50V	CCDSL 101K 50
C20	Electrolytic 47 35V	CEA 470P 35
C21	Electrolytic 47 35V	CEA 470P 35

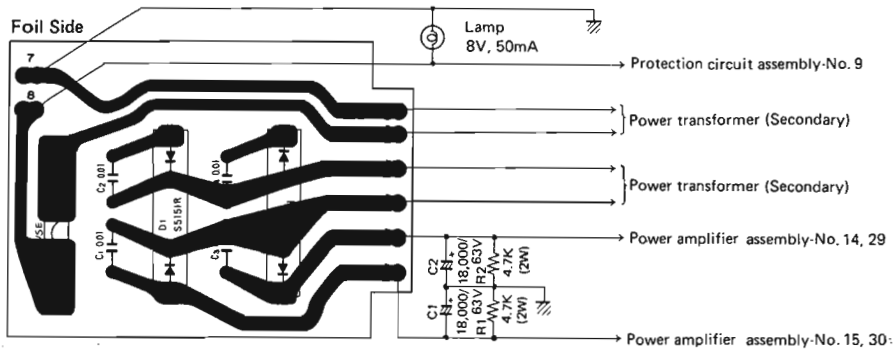
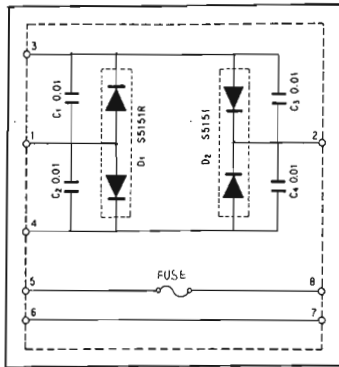
SEMICONDUCTORS

Symbol	Description	Part No.
Q1	Transistor 2SD313P-D or E	
Q2	Transistor 2S850P-D or E	
Q3	Transistor 2SC945-Q or R	
Q4	Transistor 2SA720-Q or R	
Q5	Transistor 2SC1318-Q or R	
Q6	Transistor 2SA720-Q or R	
Q7	Transistor 2SC1318-Q or R	
D1	Diode S1B01-02	
D2	Diode S1B01-02	
D3	Diode S1B01-02	
D4	Diode S1B01-02	
D5	Diode WZ-130	
D6	Diode WZ-130	

RESISTORS

Symbol	Description	Part No.
R1	Carbon film 1.5k	RD%PS 152J
R2	Carbon film 1.5k	RD%PS 152J
R3	Carbon film 1.5k	RD%PS 152J
R4	Carbon film 1.5k	RD%PS 152J
R5	Carbon film 4.7k	RD%PS 472J
R6	Carbon film 4.7k	RD%PS 472J
R7	Carbon film 30k	RD%PS 303J
R8	Carbon film 30k	RD%PS 303J
R9	Carbon film 2.4k	RD%PS 242J
R10	Carbon film 16k	RD%PS 163J
R11	Carbon film 7.5k	RD%PS 752J
R12	Carbon film 18k	RD%VS 183J
R13	Carbon film 120 ½W	RD%PS 121J
R14	Carbon film 270 ½W	RD%PS 271J
R15	Carbon film 12k	RD%PS 123J
R16	Carbon film 30k	RD%PS 303J
R17	Carbon film 10 ½W	RD%PS 100J
VR1	Variable resistor (semi-fixed) 33k	ACP-044-0
VR2	Variable resistor (semi-fixed) 33k	ACP-025-0

11.10 POWER SUPPLY CIRCUIT ASSEMBLY-1 (AWR-074-A) or (AWR-089-0)



Parts List of Power Supply Circuit Assembly-1 (AWR-074-A) or (AWR-089-0)

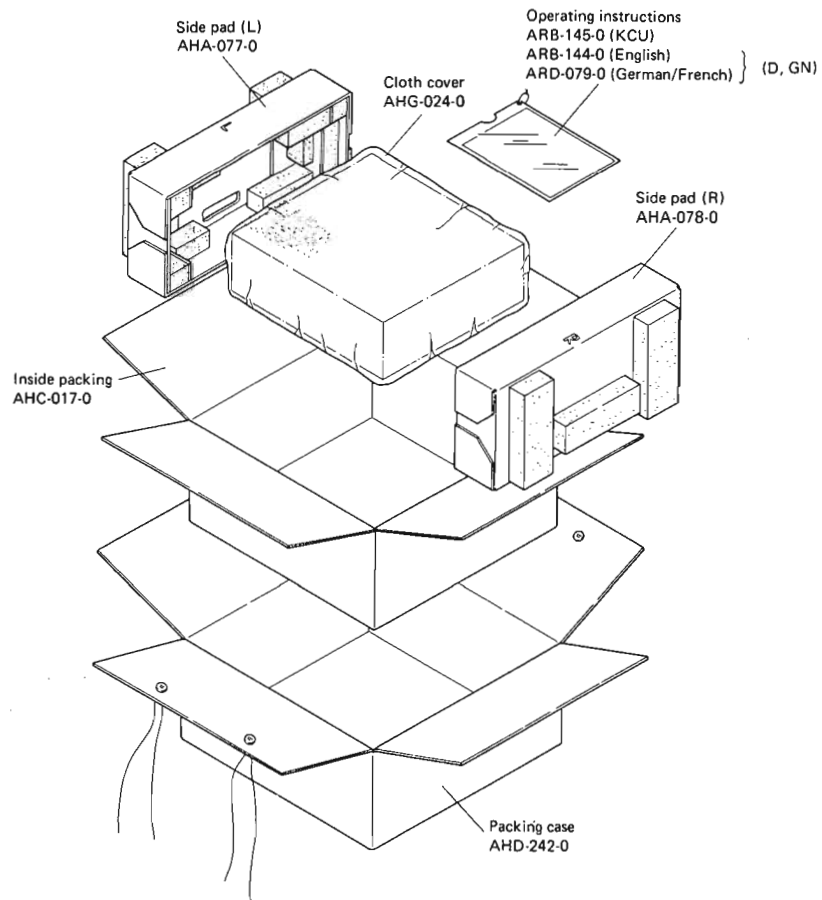
CAPACITORS

Symbol	Description	Part No.
C1	Ceramic 0.01 150V	ACG-004-0
C2	Ceramic 0.01 150V	ACG-004-0
C3	Ceramic 0.01 150V	ACG-004-0
C4	Ceramic 0.01 150V	ACG-004-0

SEMICONDUCTORS

Symbol	Description	Part No.
D1	Diode S5151R	
D2	Diode S5151	

## 12. PACKING

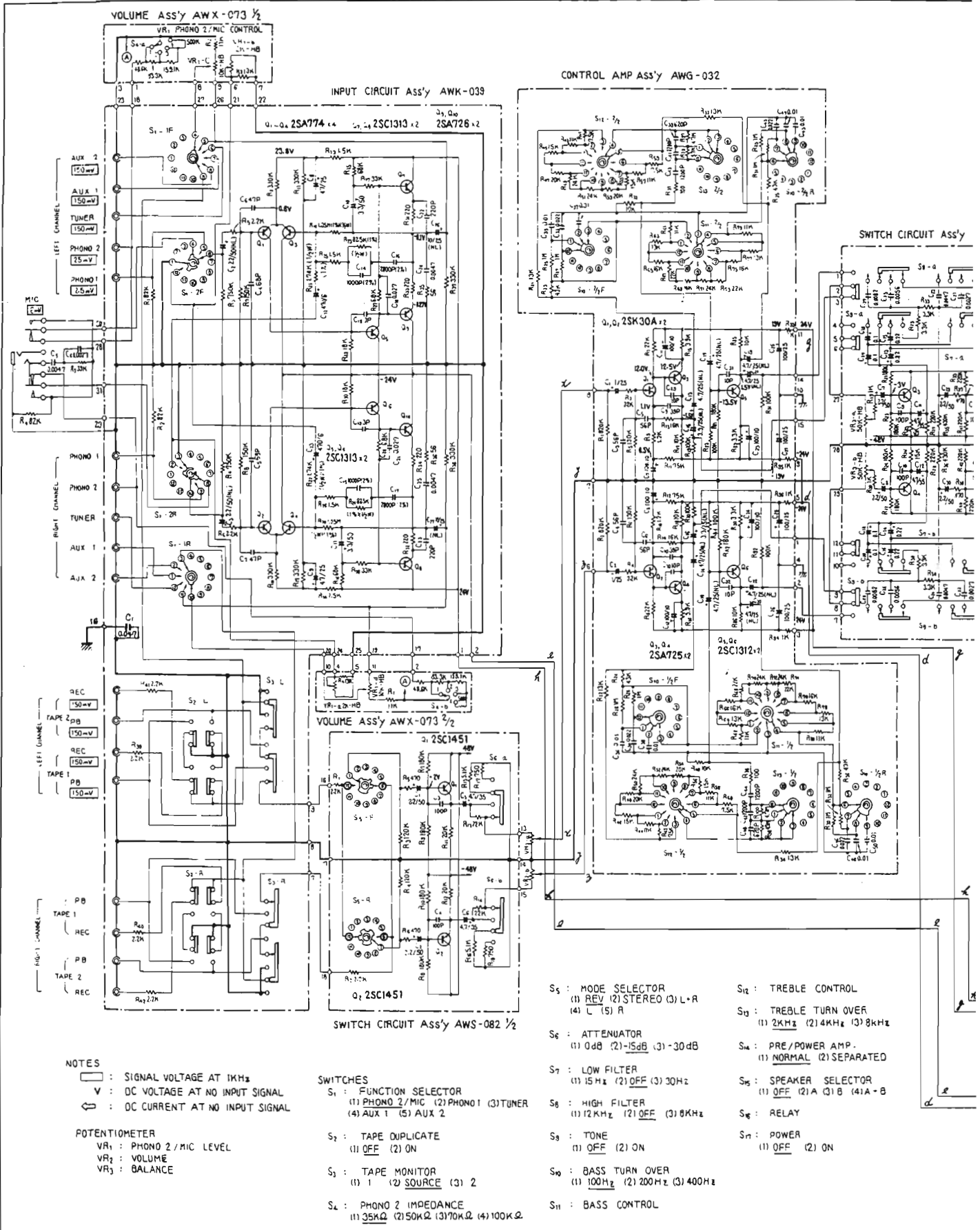


## 13. PARTS LIST OF EXPLODED VIEW

Parts No.	Parts Name	Parts No.	Parts Name
AAB-046	Knob	ASG-085	Push switch (D, GN)
AAB-084	Knob	ASH-012	Slide switch
AAB-086	Knob	ASK-084	Lever switch
AAB-089	Knob	ASK-085	Lever switch
AAD-040	Knob	ASK-086	Lever switch
AAD-086	Knob	ASK-087	Lever switch
ABA-002	Screw M3x8	ASK-092	Lever switch
ABA-012	Screw M4x8	ASR-007	Relay
ABA-079	Screw M4x8	ATT-236	Power transformer (D)
ABA-083	Screw M4x12	ATT-237	Power transformer (GN)
ABE-001	Internal toothed washer	ATT-238	Power transformer (KCU)
ABE-006	Internal toothed washer	AWG-032	Control amplifier assembly
ABN-009	Both	AWH-041	Power amplifier assembly
ACH-047	Electrolytic capacitor	AWK-039	Input circuit assembly
ACV-144	Variable resistor	AWM-074	Protection circuit assembly
ACV-146	Variable resistor	AWR-074	Power supply circuit assembly
ACV-148	Variable resistor	AWR-075	Power supply circuit assembly-2 (KCU, D)
ADG-010	AC Power cord (D)	AWR-089	Power supply circuit assembly-1 (GN)
ADG-011	AC Power cord (KCU)	AWR-090	Power supply circuit assembly-1 (GN)
AEB-051	Rubber holder	AWS-082	Switch circuit assembly
AEC-076	Insulating wafer	AWX-073	Volume circuit assembly
AEC-079	AC Power cord stopper (D, KCU)	AWX-073	Volume circuit assembly (KCU)
AEC-085	Insulated nut	AWX-085	Fuse assembly (GN)
AEC-178	Foot assembly	AWX-086	Fuse assembly (KCU)
AEC-182	Phono jack cover	AWX-088	Fuse assembly (D)
AEC-209	AC outlet cover (D, KCU)	B22-016	Washer 9mm
AEL-051	Lamp with wire 8V 50mA	B71-004	Nut 9mm
AKB-023	Phone jack 4P	B71-010	Nut 7mm
AKB-024	Phone jack 6P	E32-045	Insulated spacer
AKE-012	Binding post	E34-004	Insulated washer
AKE-025	Speaker output terminal	K72-020	Phone jack
AKH-001	Transistor socket	K72-026	Phone jack
AKM-016	Line voltage selector plug (D)	M45-086	Spacer
AKP-005	AC outlet socket (KCU, D)	2SA745A	Transistor
AKP-008	AC inlet socket (GN)	2SB530S	Transistor
AKP-010	Line voltage selector socket (D)	2SB541P	Transistor
ANB-327	Front panel assembly	2SC1403A	Transistor
ANE-072	Top cover	2SD370S	Transistor
ANE-073	Transistor cover	2SD388P	Transistor
ANF-291	P.C board clamp		
ANH-231	Front shield cover		
ANK-082	Socket cover (D)		
ASB-047	Rotary switch		
ASD-020	Rotary switch		
ASD-021	Rotary switch		
ASD-032	Rotary switch		
ASD-033	Rotary switch		
ASD-034	Rotary switch		
ASD-035	Rotary switch		
ASG-043	Push switch (KCU)		

---

(3-line voltage model)



NOTES

- : SIGNAL VOLTAGE AT 1kHz
- ∇ : DC VOLTAGE AT NO INPUT SIGNAL
- ↔ : DC CURRENT AT NO INPUT SIGNAL

POTENTIOMETER

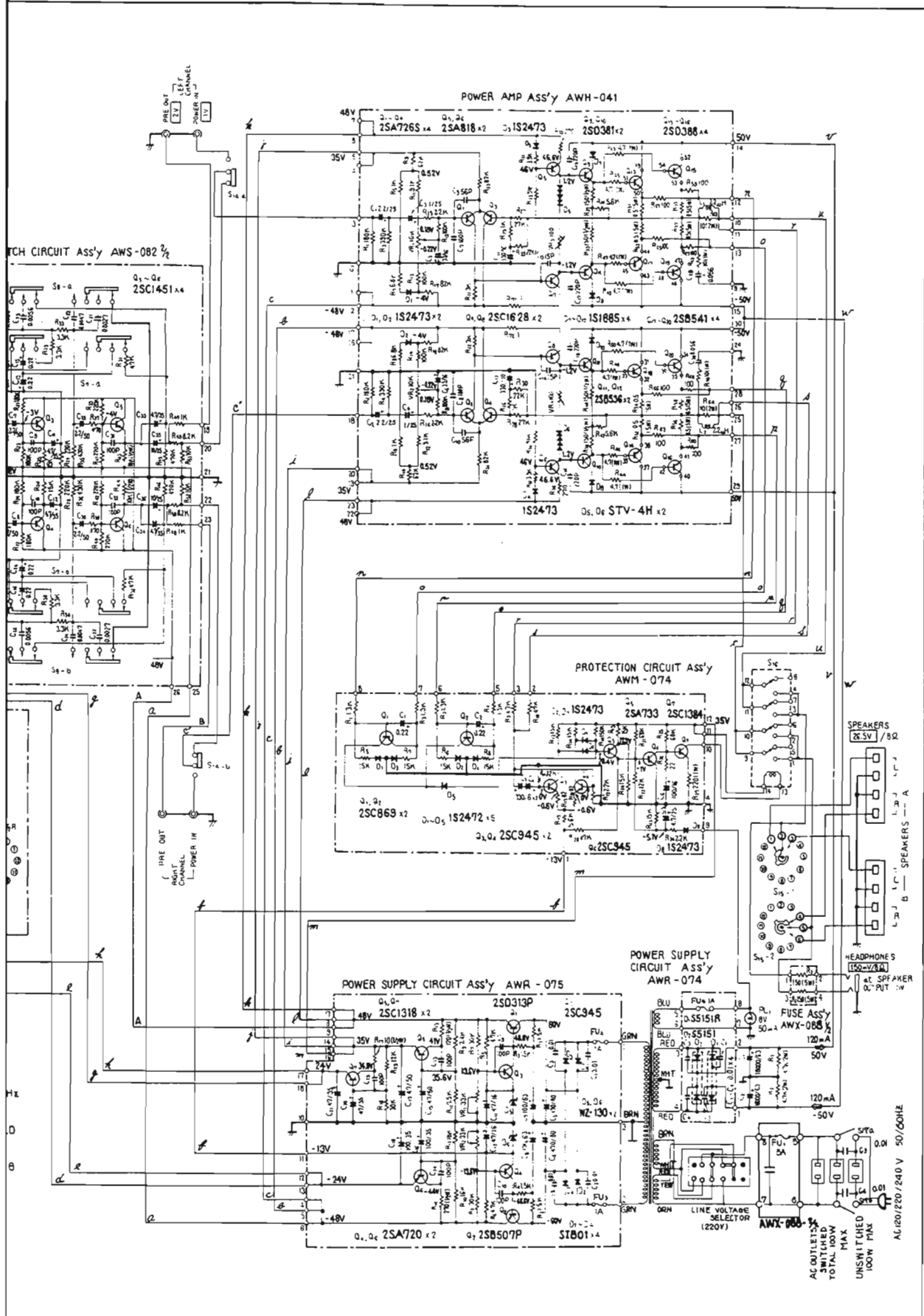
- VR<sub>1</sub> : PHONO 2 / MIC LEVEL
- VR<sub>2</sub> : VOLUME
- VR<sub>3</sub> : BALANCE

SWITCHES

- S<sub>1</sub> : FUNCTION SELECTOR  
(1) PHONO 2 / MIC (2) PHONO 1 (3) TUNER  
(4) AUX 1 (5) AUX 2
- S<sub>2</sub> : TAPE DUPLICATE  
(1) OFF (2) ON
- S<sub>3</sub> : TAPE MONITOR  
(1) 1 (2) SOURCE (3) 2
- S<sub>4</sub> : PHONO 2 IMPEDANCE  
(1) 35kΩ (2) 150kΩ (3) 70kΩ (4) 100kΩ

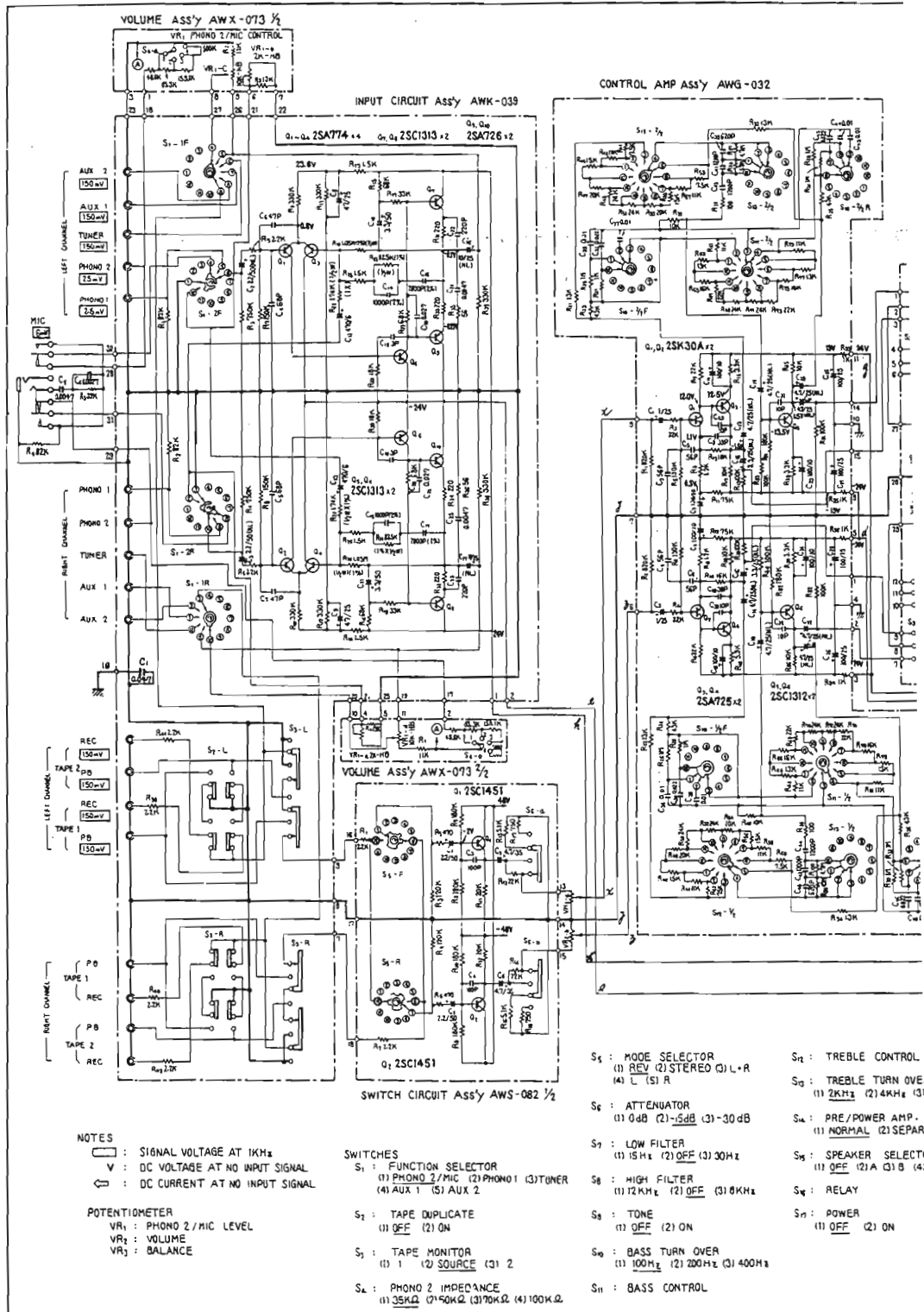
- S<sub>5</sub> : MODE SELECTOR  
(1) REV (2) STEREO (3) L+R  
(4) L (5) R
- S<sub>6</sub> : ATTENUATOR  
(1) 0dB (2) -15dB (3) -30dB
- S<sub>7</sub> : LOW FILTER  
(1) 15Hz (2) OFF (3) 30Hz
- S<sub>8</sub> : HIGH FILTER  
(1) 12kHz (2) OFF (3) 6kHz
- S<sub>9</sub> : TONE  
(1) OFF (2) ON
- S<sub>10</sub> : BASS TURN OVER  
(1) 100Hz (2) 200Hz (3) 400Hz
- S<sub>11</sub> : BASS CONTROL
- S<sub>12</sub> : TREBLE CONTROL
- S<sub>13</sub> : TREBLE TURN OVER  
(1) 2kHz (2) 4kHz (3) 8kHz
- S<sub>14</sub> : PRE / POWER AMP.  
(1) NORMAL (2) SEPARATED
- S<sub>15</sub> : SPEAKER SELECTOR  
(1) OFF (2) A (3) B (4) A-B
- S<sub>16</sub> : RELAY
- S<sub>17</sub> : POWER  
(1) OFF (2) ON

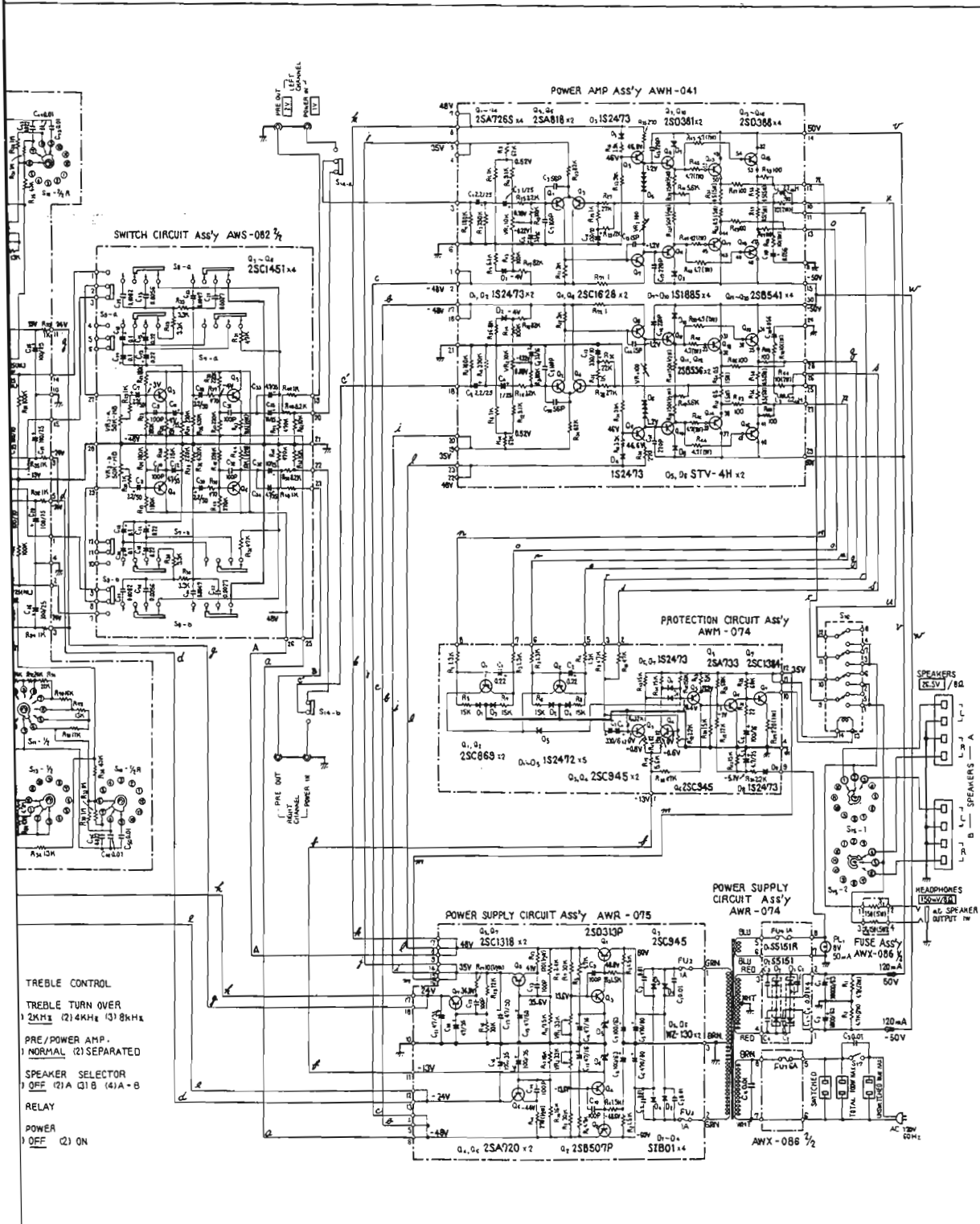




# SCHEMATIC DIAGRAMS

For "KCU" Type (120V model)





For "GN" Type (220V model)

