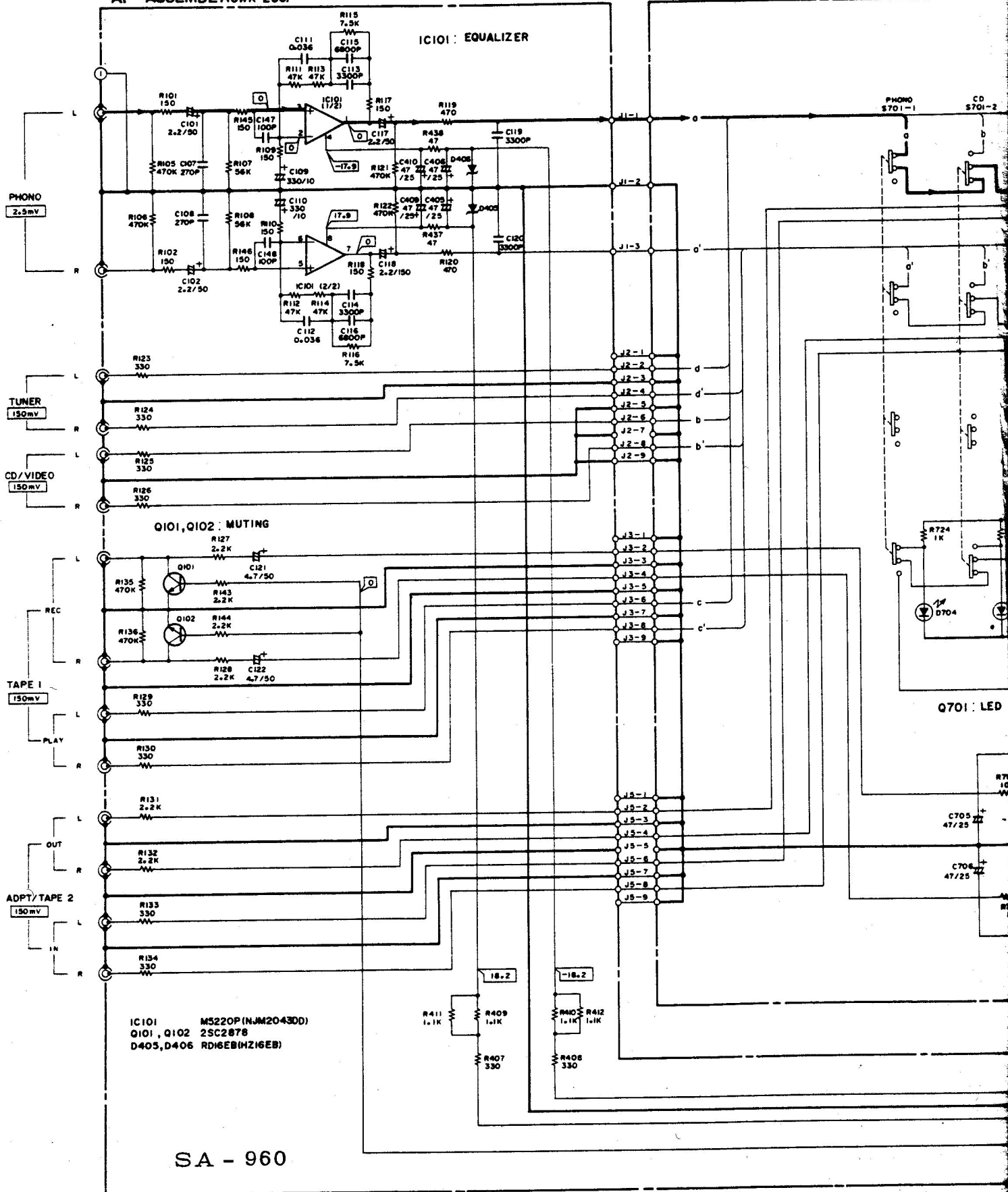
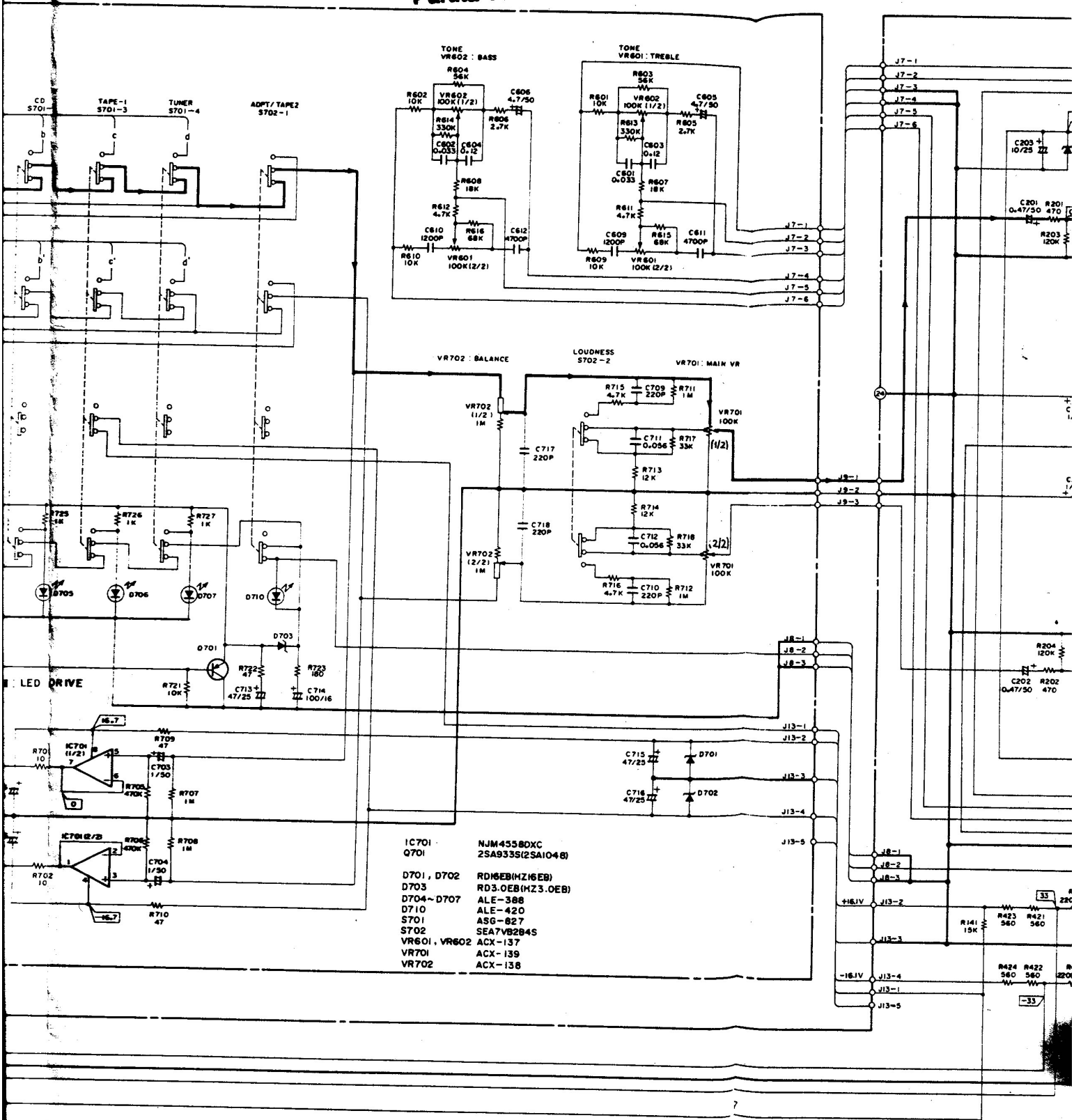
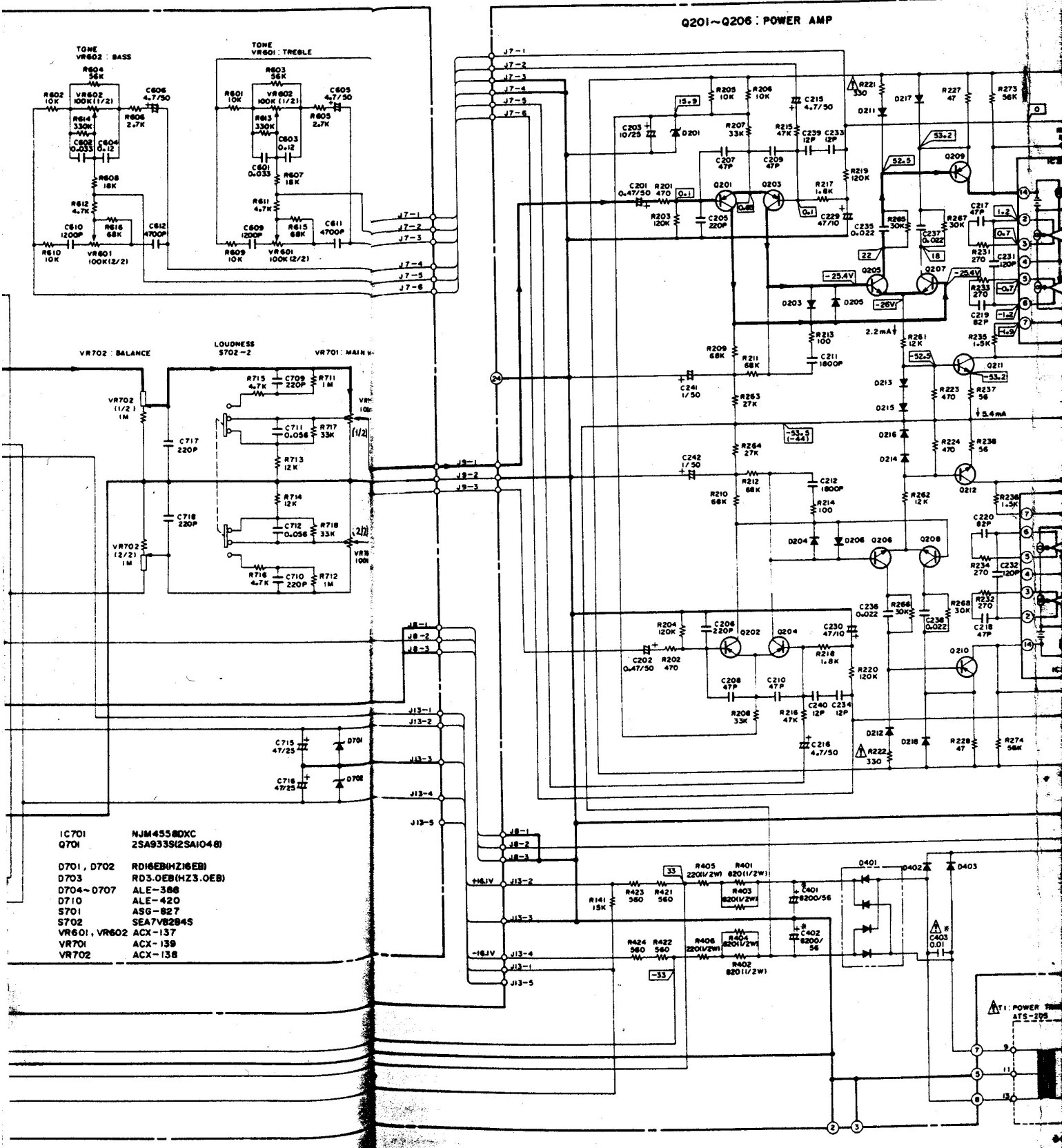


AF ASSEMBLY (GWK-255)

CONTROL ASSEMBLY (AWG-108)



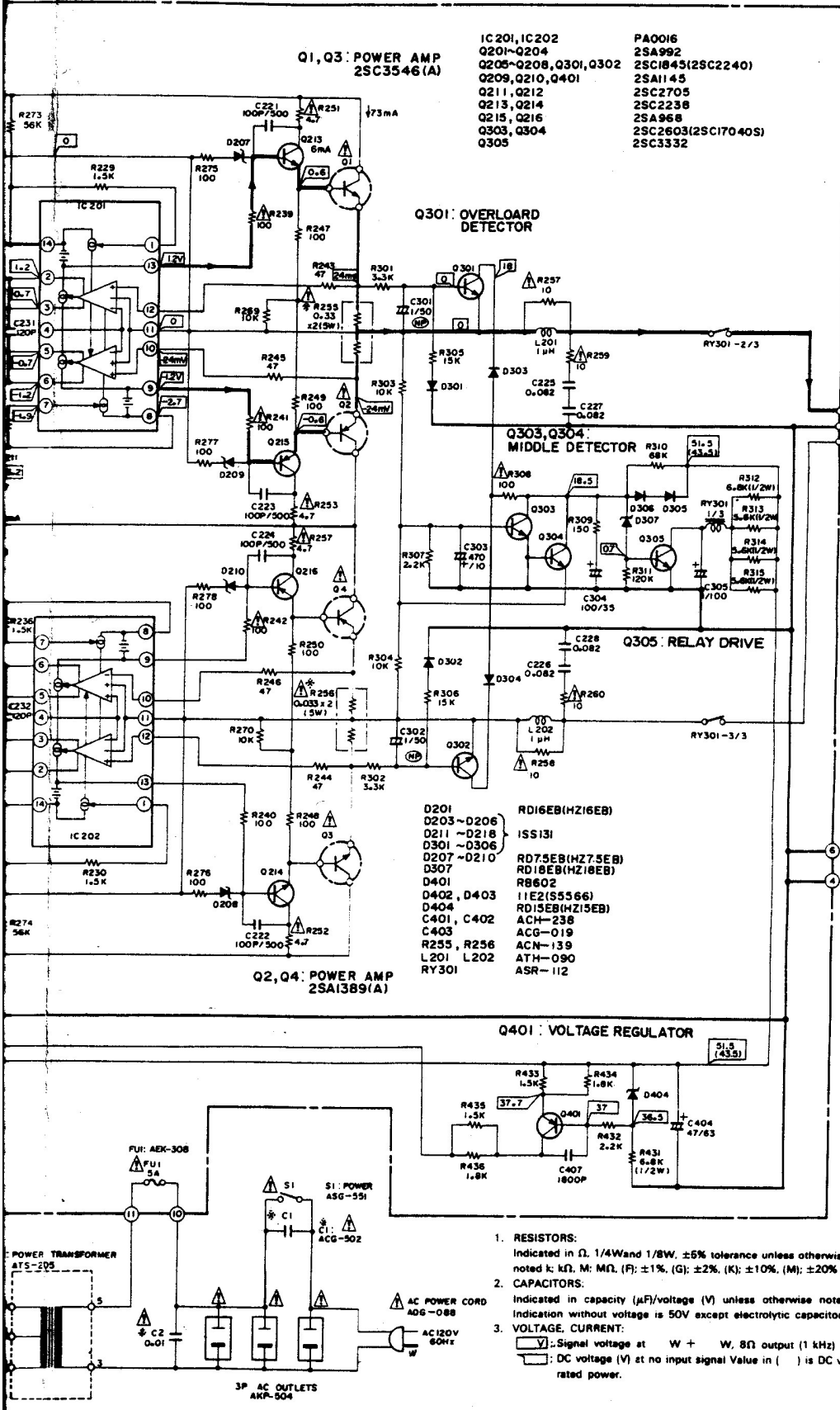




- | | |
|--------------|------------------|
| IC701 | NJM45580XC |
| Q701 | 2SA933S(2SA1048) |
| D701, D702 | RD16EB(HZ16EB) |
| D703 | RD3.0EB(HZ3.0EB) |
| D704~D707 | ALE-386 |
| D710 | ALE-420 |
| S701 | ASG-827 |
| S702 | SEA7V8284S |
| VR601, VR602 | ACX-137 |
| VR701 | ACX-139 |
| VR702 | ACX-138 |

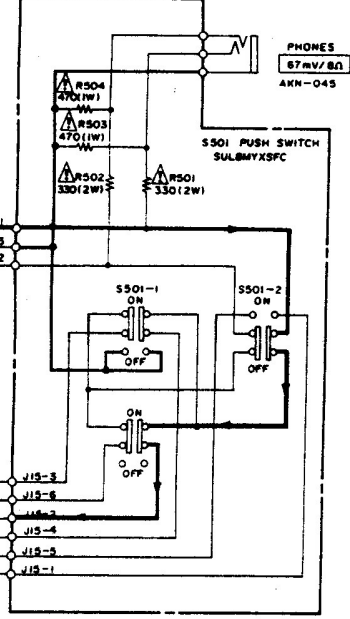
▲ POWER TRANSFORMER
ATS-205

019

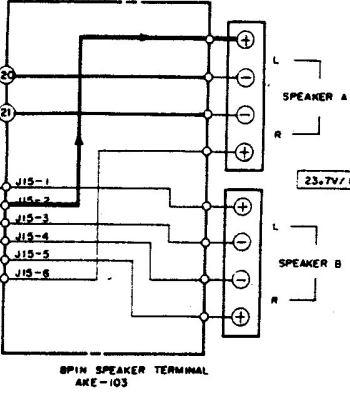


4. OTHERS:
 → Signal route.
 ⊗ Adjusting point.
 The Δ mark found on some component parts indicates the importance of the safety factor of the part. Therefore, when replacing, be sure to use parts of identical designation.
 * marked capacitors and resistors have parts numbers.
 The underlined indicates the switch position.

SPEAKER SW ASSEMBLY



SPEAKER TERMINAL ASSEMBLY



5. SWITCHES:
 S1 POWER (ON, OFF)
 S501 SPEAKERS (A, B, A+B)
 S701-1 FUNCTION (PHONE, CD, TAPE1, TUNER)
 S702-1 ADPT/TAPE 2 (ON, OFF)
 S702-2 LOUDNESS (ON, OFF)