

ADDITIONAL



Service Manual

STEREO AMPLIFIER

SA-9800 S S/G

The basic performance of the S and S/G types are the same as the KU type. The KU and S/G types have wooden covers, while S type employs metal. This additional service manual is applicable to the S and S/G types, please refer to the KU type service manual with the exception of this supplements.

SPECIFICATIONS

The specifications for S and S/G types are the same as the KU type except for following sections;

Micellaneous

Power Requirements . AC110/120/220/240V (switchable),
50/60Hz

Demensions (S type) 420(W)x150(H)x425(D)mm
16-17/32(W)x5-29/32(H)x16-3/4(D)in

Weight

S type Without Package; 18kg (39 lb 11 oz)
With Package; 20kg (44 lb 1 oz)
S/G type Without Package; 19.1kg (42 lb 2 oz)

Furnished Parts

Fuse (5A) 1
Fuse (10A) 1

CONTRAST OF MISCELLANEOUS PARTS

- The mark found on some component parts indicates the importance of the safety factor of the part. Therefore, when replacing, be sure to use parts of identical designation.

P.C. BOARD ASSEMBLIES

Symbol	Part Name	Part No.		
		KU type	S type	S/G type
	PA-L assembly	GWH-119	GWH-125	GWH-125
	PA-R assembly	GWH-120	GWH-126	GWH-126
	Power supply assembly	AWR-191	AWR-194	AWR-194

TRANSFORMERS

Symbol	Part Name	Part No.		
		KU type	S type	S/G type
△T1	Power transformer	ATT-556	ATT-578	ATT-559
△T2	Power transformer	ATT-556	ATT-579	ATT-560

FUSES

Symbol	Part Name	Part No.		
		KU type	S type	S/G type
△FU1	Fuse (5A)	AEK-108	AEK-108	(AEK-108)
△FU1	Fuse (10A)	(AEK-114)	AEK-114
△FU2	Fuse (5A)	AEK-108

CAPACITOR

Symbol	Part Name	Part No.		
		KU type	S type	S/G type
△C7	Ceramic 0.01/250V	ACG-001	ACG-001
C7	Electrolytic 1/50V	CEA 010P 50
C8	Electrolytic 1/50V	CEA 010P 50	CEA 010P 50

SWITCH

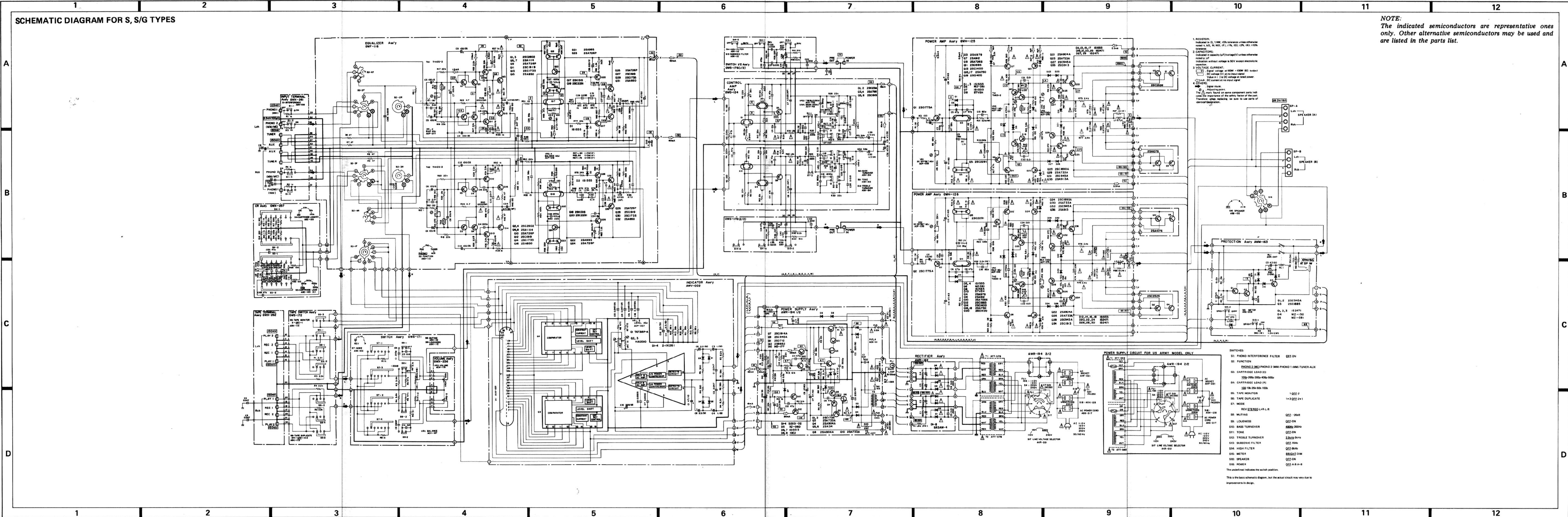
Symbol	Part Name	Part No.		
		KU type	S type	S/G type
△S18	Lever switch (POWER)	ASK-124	ASK-128	ASK-128

OTHERS

Symbol	Part Name	Part No.		
		KU type	S type	S/G type
△	AC power cord	ADG-023	ADG-017	ADG-017
△	AC socket (AC OUTLETS)	AKP-004	AKP-021	AKP-021
△	Plug in selector	AKR-031	AKR-031
	Top cover (wooden)	AMM-079	AMM-079
	Top cover (metal)	ANE-222
	Screw (for top cover)	ABA-206	ABA-079	ABA-206

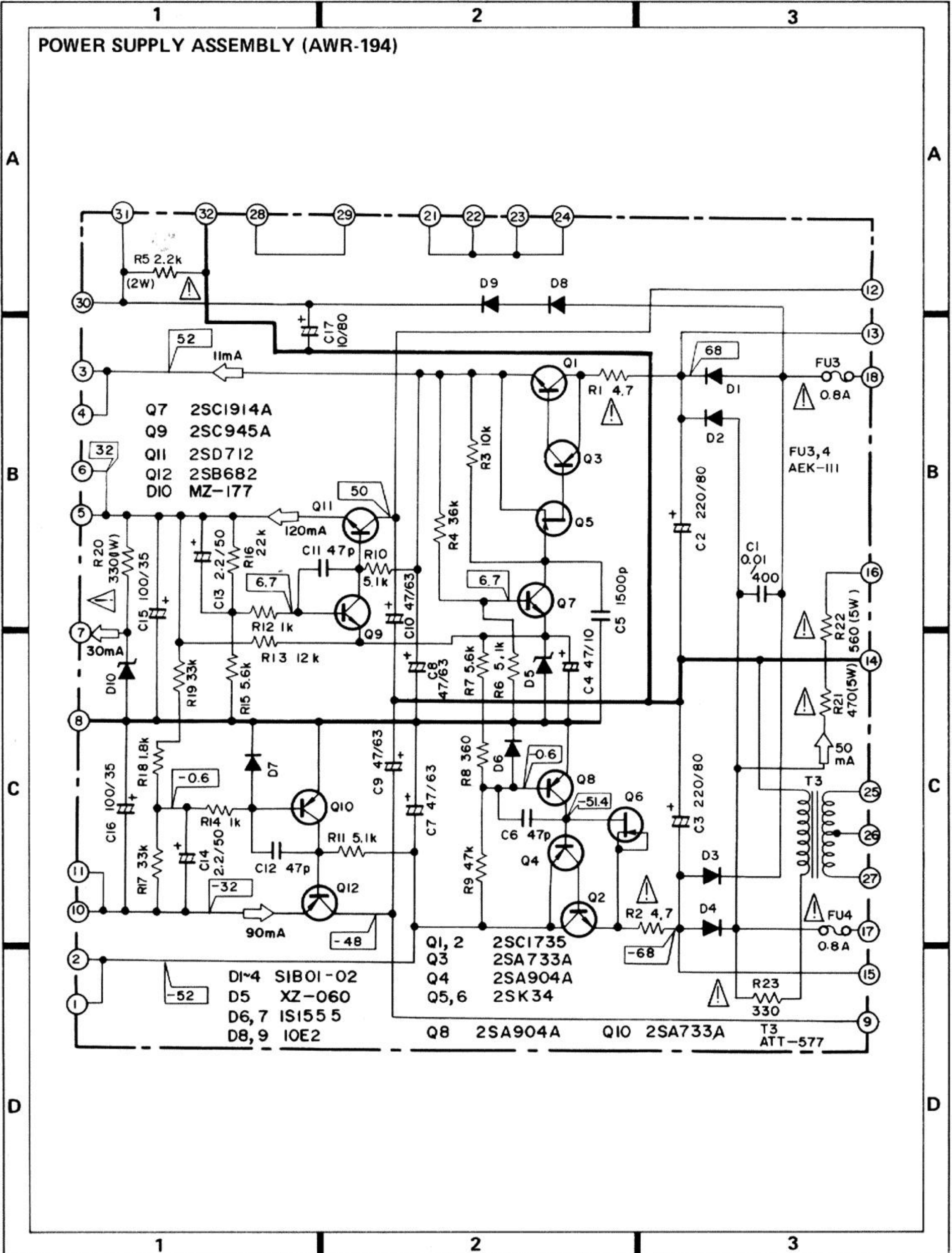
PACKING AND FURNISHED PARTS

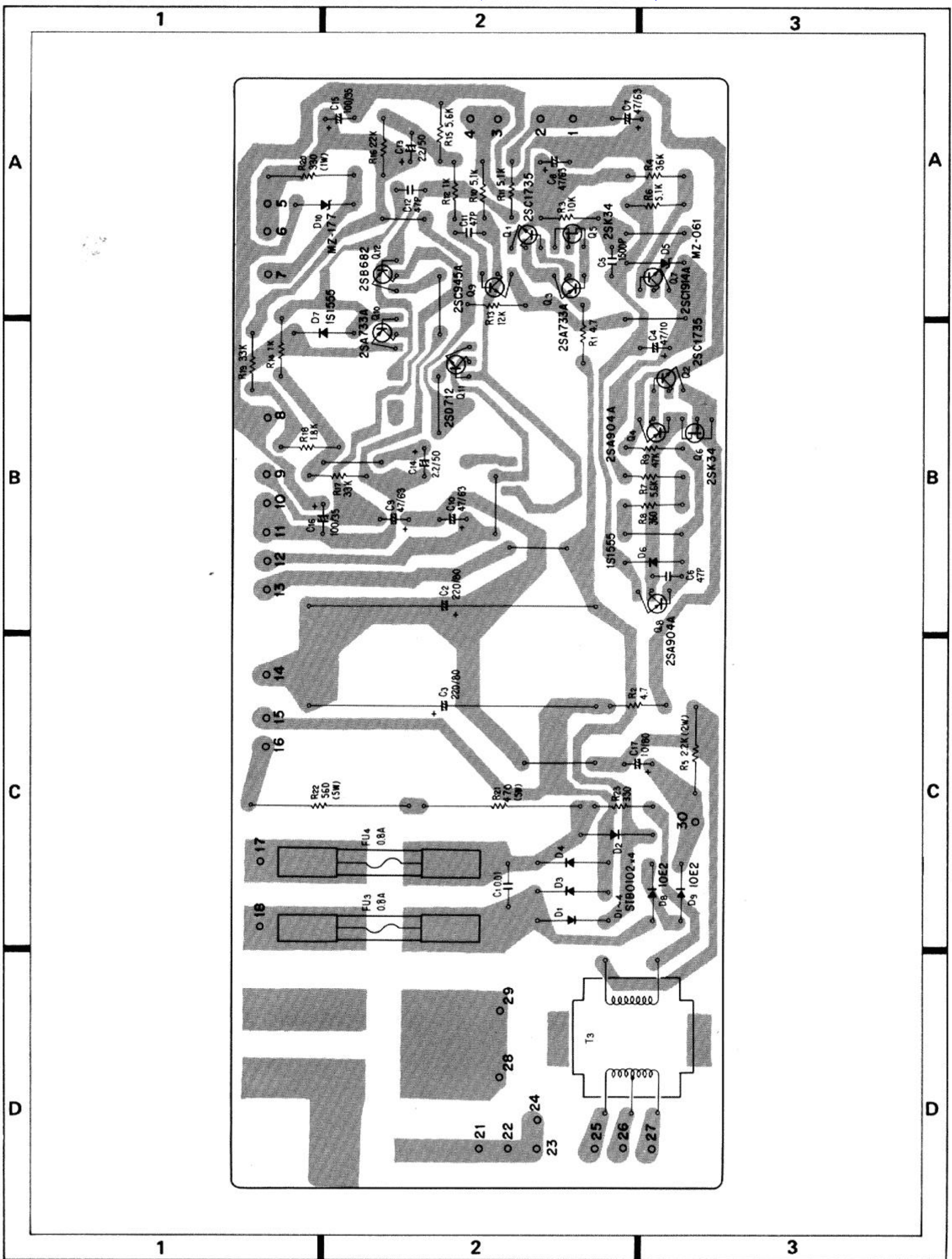
Symbol	Part Name	Part No.		
		KU type	S type	S/G type
	Packing case	AHD-614	AHD-617	AHD-616
	Top pad L	AHA-214	AHA-214
	Top pad R	AHA-215	AHA-215
	Bottom pad L	AHA-216	AHA-216
	Bottom pad R	AHA-217	AHA-217
	Side pad	AHA-218
	Cardboard spacer	AHB-099
	Operating instructions	ARB-307	ARB-312	ARB-312
△	Fuse (5A)	AEK-108	AEK-108
△	Fuse (10A)	AEK-114	AEK-114



SA-9800/S, S/G.

POWER SUPPLY ASSEMBLY (AWR-194)





SA-9800/S, S/G.

Parts List of Power Supply Assembly (AWR-194)

CAPACITORS

Part No.	Symbol & Description
CQMA 103K 400	C1
CEB 221P 80	C2, C3
CEA 470P 10	C4
CKDYB 152K 50	C5
CCDSL 470K 50	C6, C11, C12
CEA 470P 63	C7-C10
CEA 2R2P 50	C13, C14
CEA 101P 35	C15, C16
CEA 100P 80	C17

Note: When ordering resistors, convert the resistance value into code form, and then rewrite the part no. as before.

RESISTORS

Part No.	Symbol & Description
RD $\frac{1}{2}$ PMF $\square\square\square$ J	R1, R2, R23
RD $\frac{1}{2}$ PM $\square\square\square$ J	R3, R4, R6-R19
RS2P $\square\square\square$ J	R5
RS1P $\square\square\square$ J	R20
RT5B $\square\square\square$ K	R21, R22

SEMICONDUCTORS

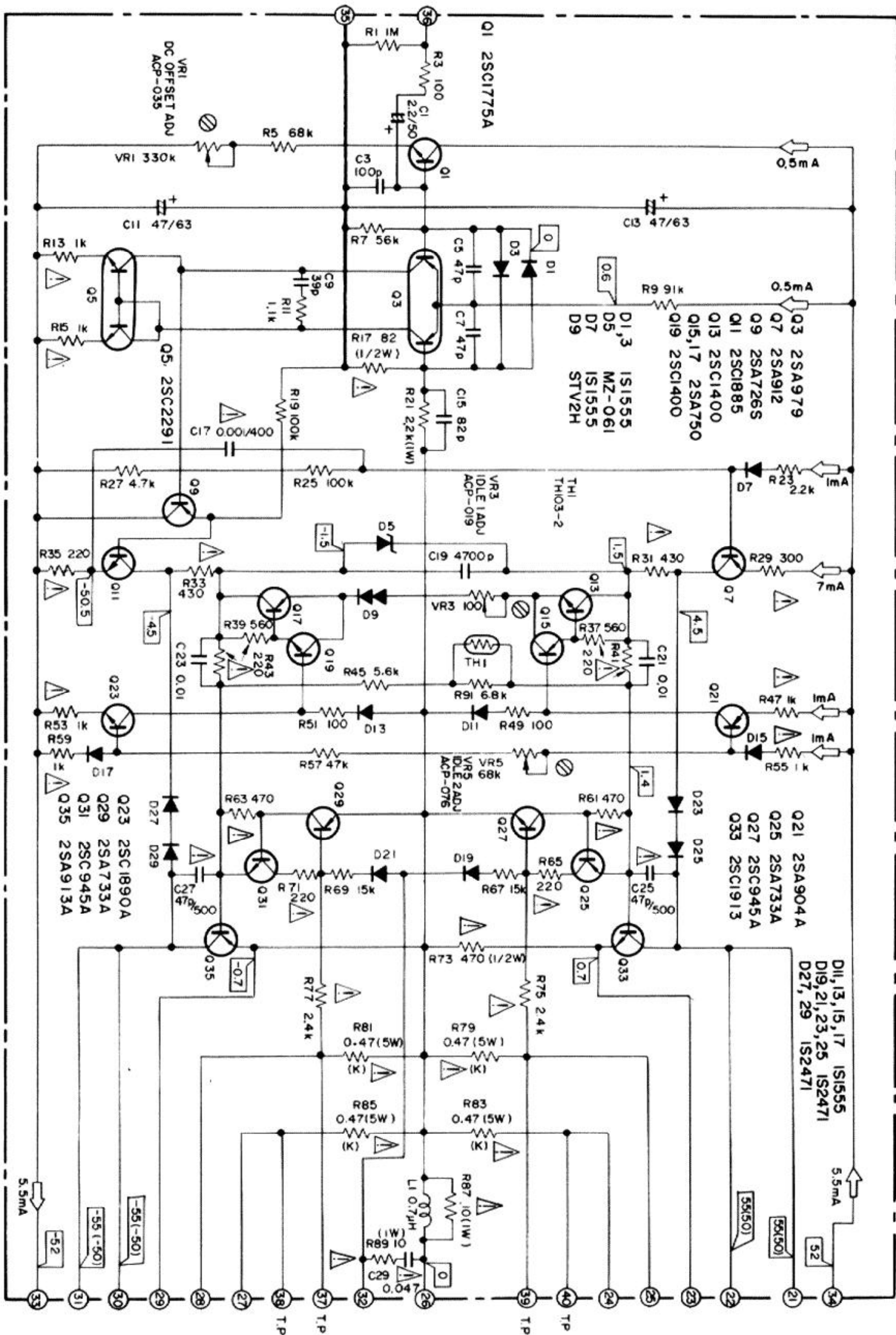
Part No.	Symbol & Description
2SC1735	Q1, Q2
2SA733A	Q3, Q10
2SA904A (2SA893A)	Q4, Q8
2SK34	Q5, Q6
2SC1914A (2SC1890A)	Q7
2SC945A	Q9
2SD712 (2SD313P)	Q11
2SB682 (2SB507P)	Q12
SIB01-02 XZ-060	D1-D4 D5
1S1555 (1S2473)	D6, D7
10E2 MZ-177 (WZ-177)	D8, D9 D10

OTHERS

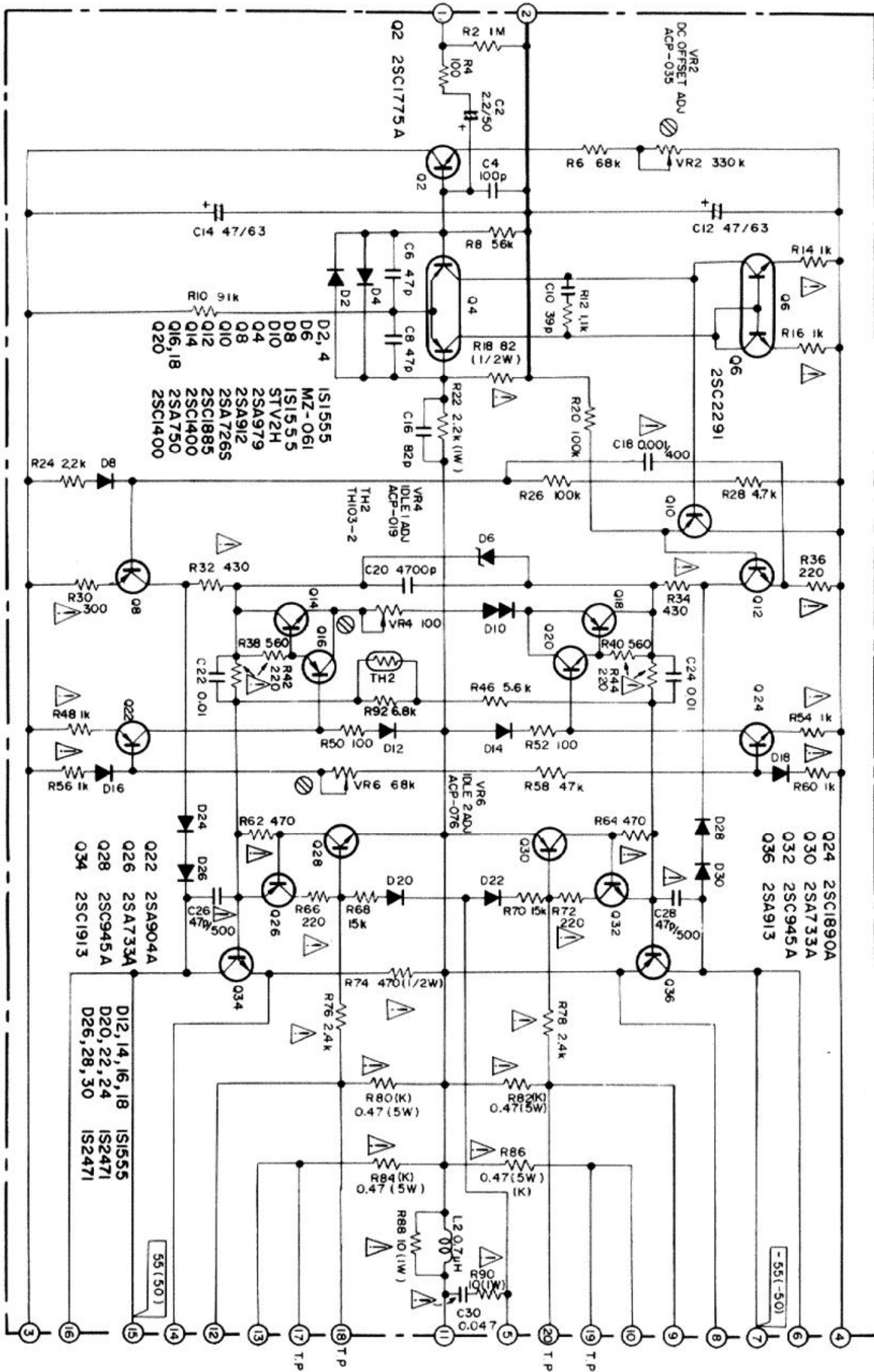
Part No.	Symbol & Description
ATT-577	T3 Transformer
ABA-026	Pan head screw

POWER AMPLIFIERS FOR S, S/G TYPES

Schematic Diagram for PA-L Assembly (GWH-125)



Schematic Diagram for PA-R Assembly (GWH-126)



- The circuitry of the PA-L (GWH-125) and PA-R (GWH-126) assemblies are the same as the GWH-119 and GWH-120 (for KU type), with exception of the circuit component specifications and the parts installation method.

Parts List of PA-L Assembly (GWH-125)

CAPACITORS

Part No.	Symbol & Description
CEANL 2R2P 50	C1
CCDSL 101K 50	C3
CCDSL 470K 50	C5, C7
CCDSL 390K 50	C9
CEA 470P 63	C11, C13
CCDSL 820K 50	C15
⚠ CQMA 102K 400	C17
CQMA 472K 50	C19
CQMA 103K 50	C21, C23
⚠ CCDSL 470 K 500	C25, C27
⚠ CQMA 473J 100	C29

Note: When ordering resistors, convert the resistance value into code form, and then rewrite the part no. as before.

RESISTORS

Part No.	Symbol & Description
ACP-035	VR1 Semifixed 330k-B
ACP-019	VR3 Semifixed 100-B
ACP-076	VR5 Semifixed 68k-B
RD¼PM □□□ J	R1, R3, R5, R7, R9, R11, R19, R23, R25
RD¼PM □□□ J	R27, R45, R49, R51, R57, R67, R69, R91
⚠ RD¼PM □□□ J	R37, R39, R75, R77
⚠ RD¼PMF □□□ J	R13, R15, R29, R31, R41, R47, R53
⚠ RD¼PMF □□□ J	R55, R59, R61, R63, R65, R71
⚠ RD¼PS □□□ J	R17, R73
RS1P □□□ J	R21
⚠ RD¼PMF □□□ J	R33, R35, R43
⚠ ACN-041	R79, R81, R83, R85 Wire wound 0.47/5W
⚠ RS1P □□□ J	R87, R89

SEMICONDUCTORS

Part No.	Symbol & Description
2SC1775A-E	Q1
2SA979-F	Q3
2SC2291	Q5
2SA912	Q7
2SA726S	Q9
2SC1885	Q11
2SC1400	Q13, Q19
2SA750	Q15, Q17
2SA904A	Q21
2SC1890A	Q23

Part No.	Symbol & Description
2SA733A	Q25, Q29
2SC945A	Q27, Q31
2SC1913	Q33
2SA913	Q35
1S1555 (1S2473)	D1, D3, D7, D11, D13, D15, D17
MZ-061 (WZ-061)	D5
STV2H-O	D9
1S2471	D19, D21, D23, D25, D27, D29
TH103-2	Th1

OTHERS

Part No.	Description
ABA-048	Screw 3x6
ABA-026	Screw 3x6 (Pan head)

Parts List of PA-R Assembly (GWH-126)

CAPACITORS

Part No.	Symbol & Description
CEANL 2R2P 50	C2
CCDSL 101K 50	C4
CCDSL 470K 50	C6, C8
CCDSL 390K 50	C10
CEA 470P 63	C12, C14
CCDSL 820K 50	C16
⚠ CQMA 102K 400	C18
CQMA 472K 50	C20
CQMA 103K 50	C22, C24
⚠ CCDSL 470K 500	C26, C28
⚠ CQMA 473J 100	C30

Note: When ordering resistors, convert the resistance value into code form, and then rewrite the part no. as before.

RESISTORS

Part No.	Symbol & Description
ACP-035	VR2 Semifixed 330k-B
ACP-019	VR4 Semifixed 100-B
ACP-076	VR6 Semifixed 68k-B
RD¼PM □□□ J	R2, R4, R6, R8, R10, R12, R20, R24, R26
RD¼PM □□□ J	R28, R46, R50, R52, R58, R68, R70, R92
⚠ RD¼PM □□□ J	R38, R40, R76, R78
⚠ RD¼PMF □□□ J	R14, R16, R30, R32, R42, R48, R54
⚠ RD¼PMF □□□ J	R56, R60, R62, R64, R66, R72

SA-9800/S, S/G.

Part No.	Symbol & Description
RD½PS □□□ J	R18, R14
RS1P □□□ J	R22
RD¼PMF □□□ J	R34, R36, R44
ACN-041	R80, R82, R84, R86 Wire wound 0.47/5W
RS1P □□□ J	R88, R90

SEMICONDUCTORS

Part No.	Symbol & Description
2SC1775A-E	Q2
2SA979-F	Q4
2SC2291	Q6
2SA912	Q8
2SA726S	Q10
2SC1885	Q12
2SC1400	Q14, Q20
2SA750	Q16, Q18
2SA904A	Q22
2SC1890A	Q24
2SA733A	Q26, Q30
2SC945A	Q28, Q32
2SC1913	Q34
2SA913	Q36
1S1555 (1S2473)	D2, D4, D8, D12, D14, D16, D18
MZ-061 (WZ-061)	D6
STV2H-O	D10
1S2471	D20, D22, D24, D26, D28, D30
TH103-2	Th2

OTHERS

Part No.	Description
ABA-048	Screw 3x6
ABA-026	Screw 3x6 (Pan head)