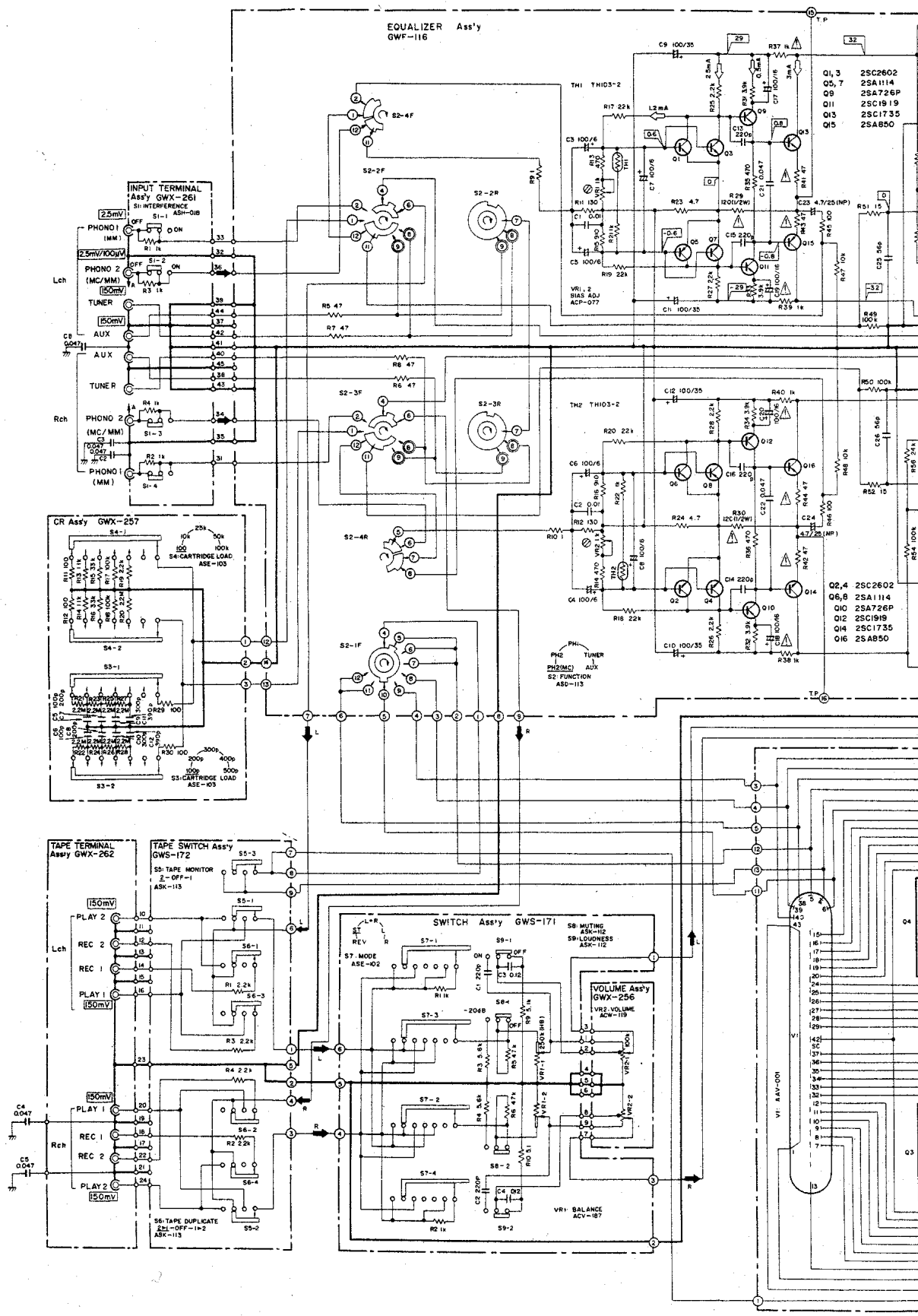
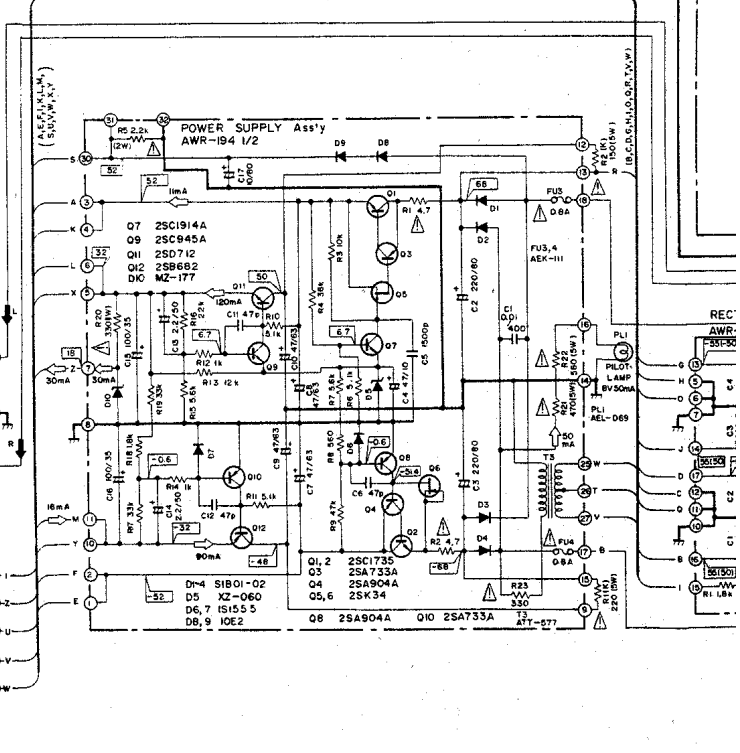
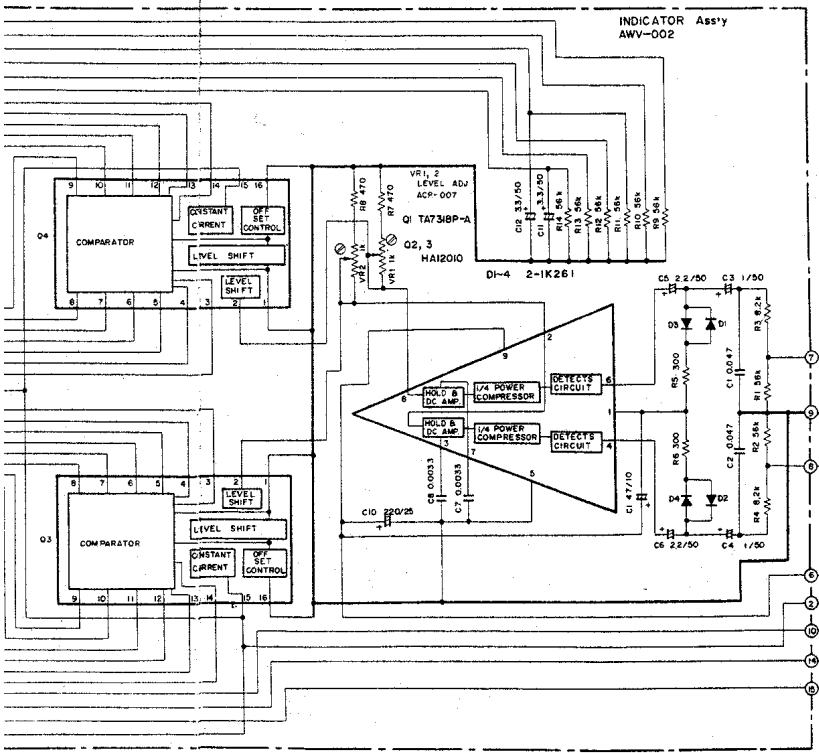
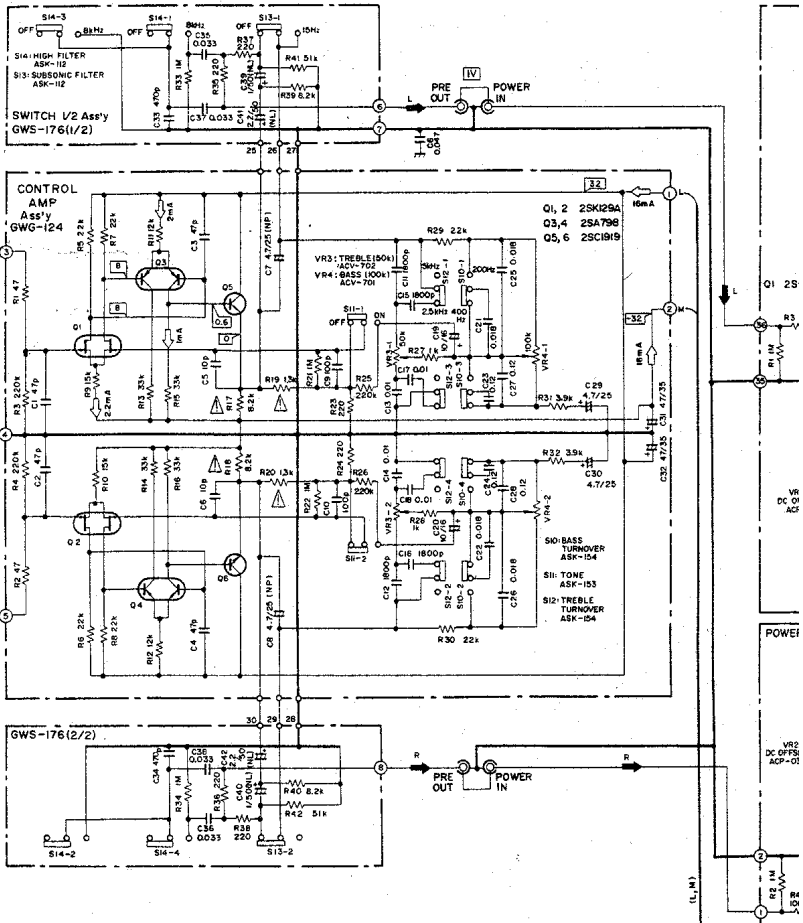
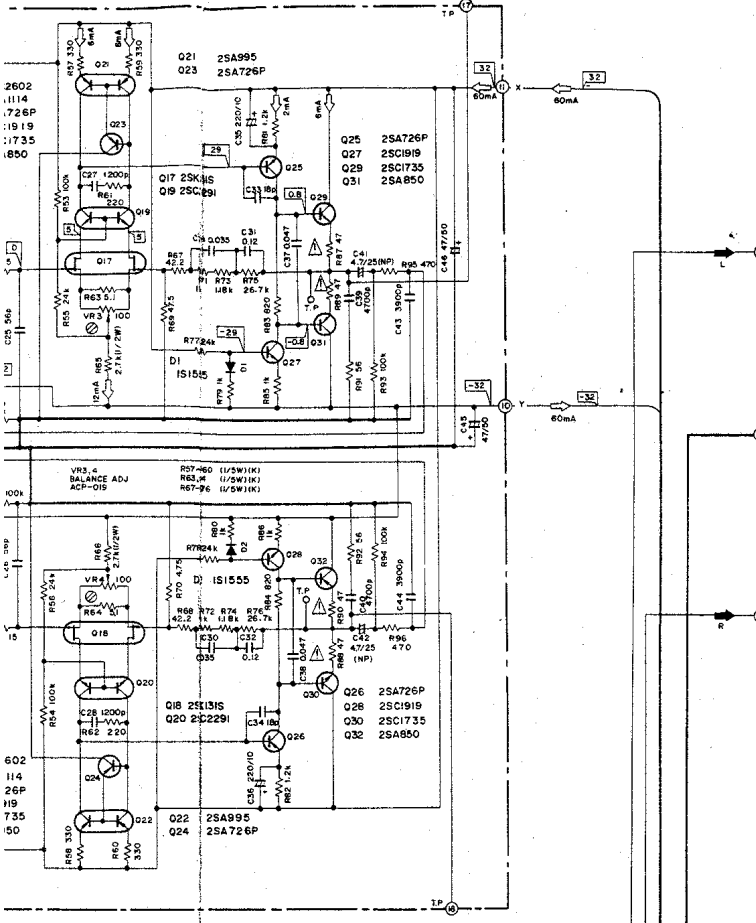
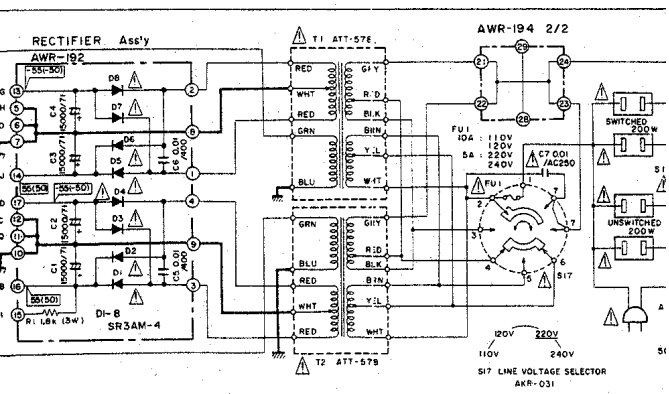
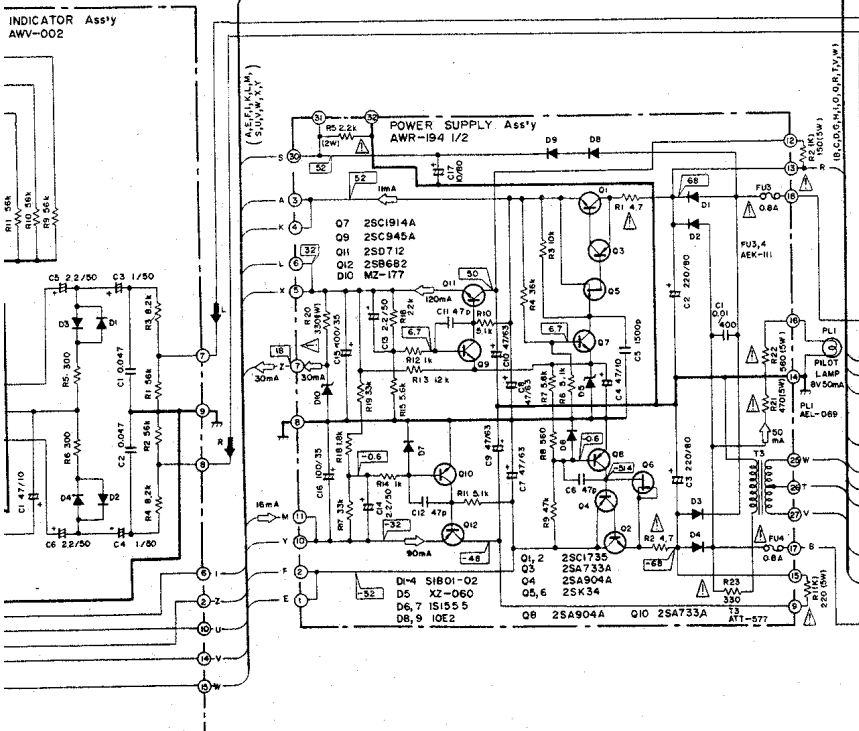
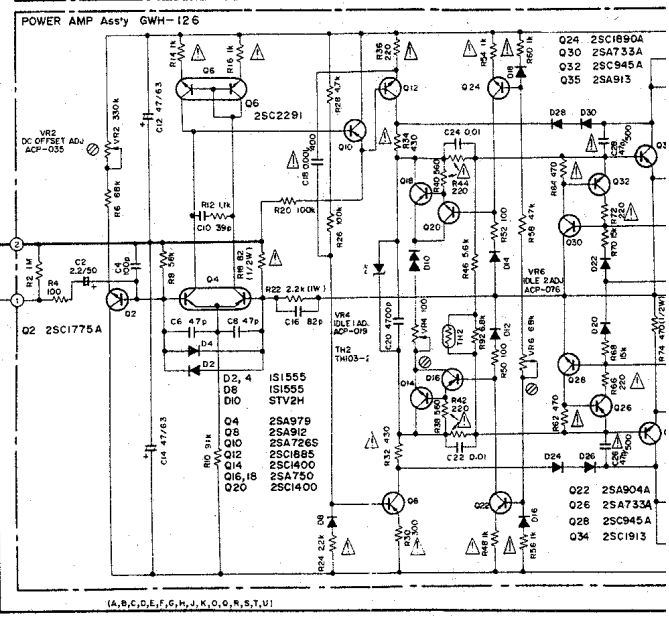
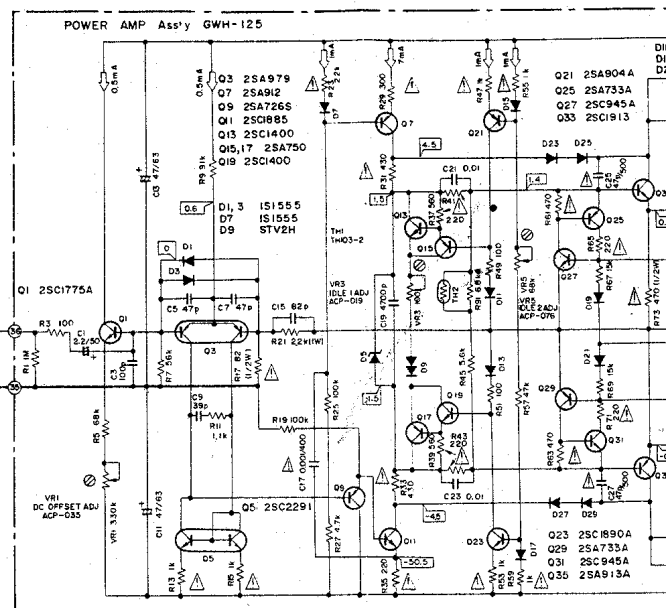
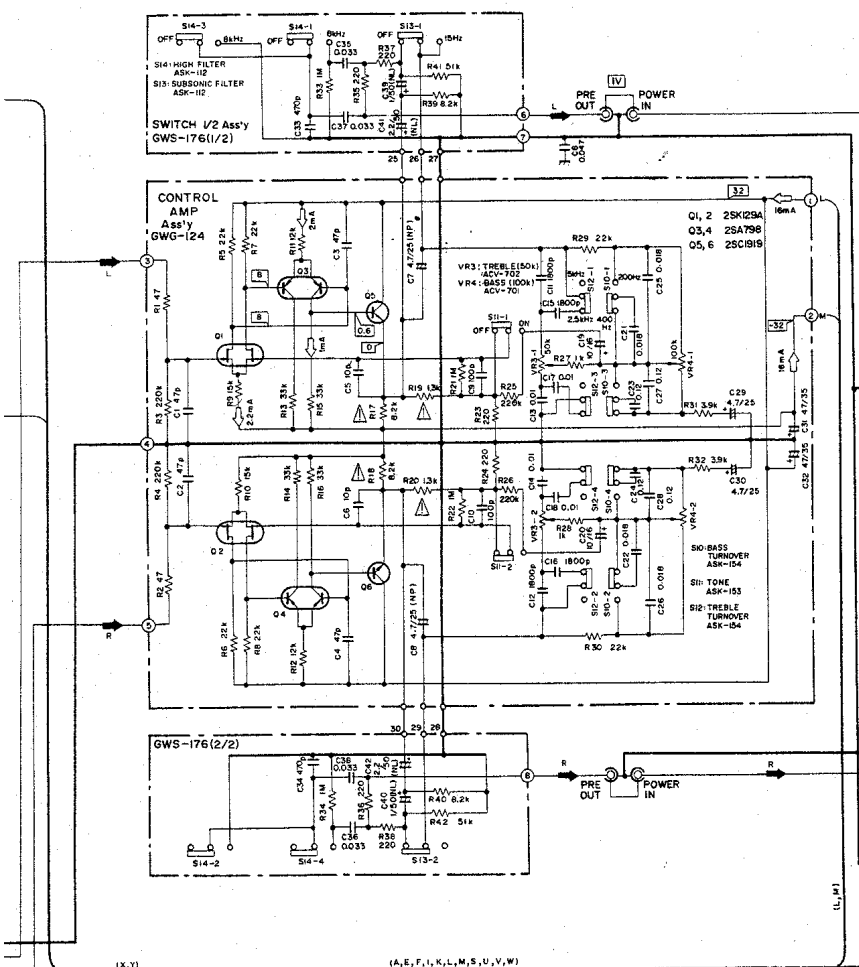
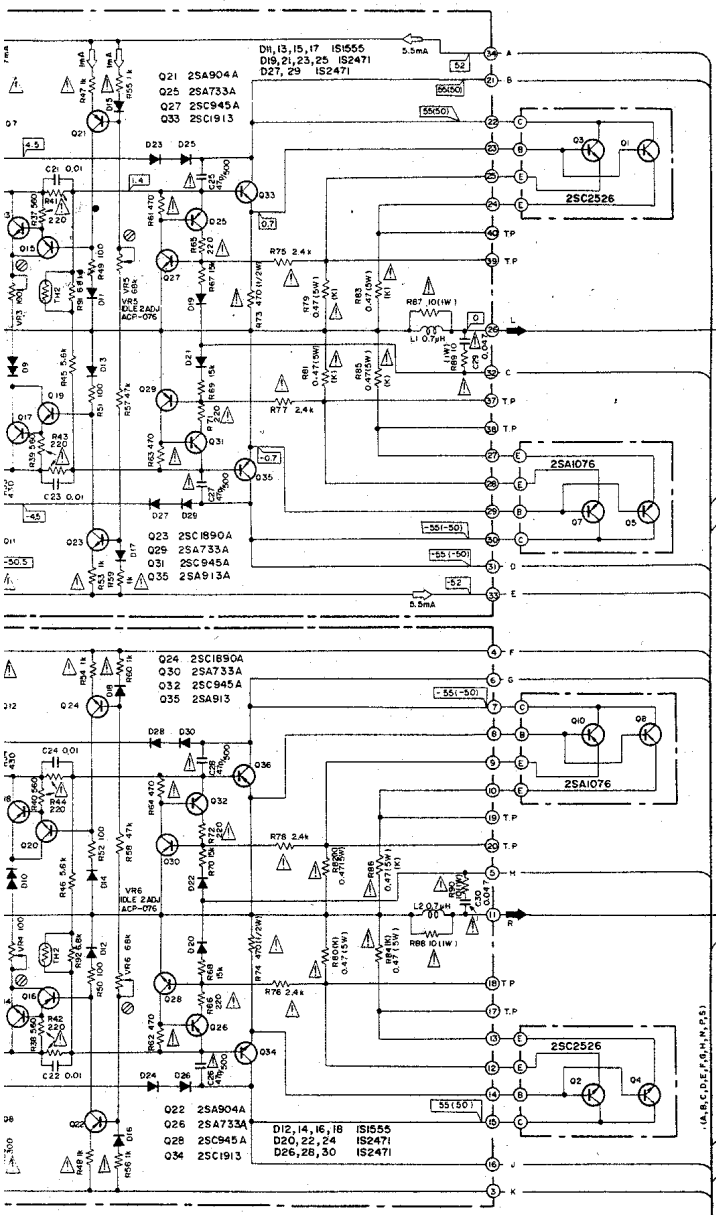


SA-9800 S S/G SCHEMATIC DIAGRAM

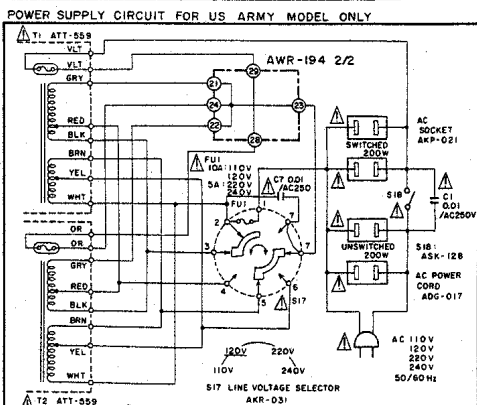
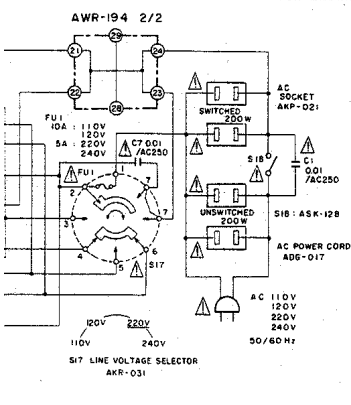
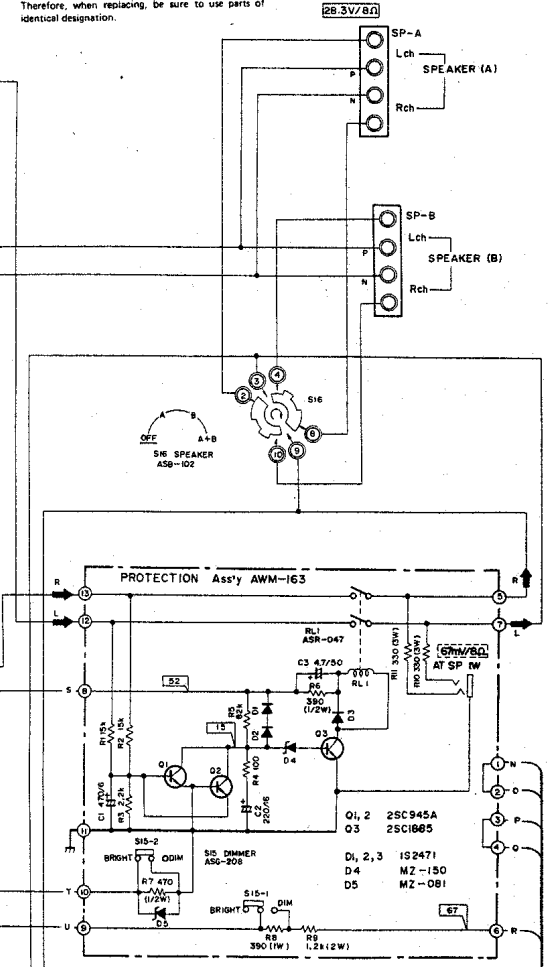








- RESISTOR:**
Indicated in Ω, 1/4W, ±5% tolerance unless otherwise noted: K: 1kΩ, M: 1MΩ, (F): ±1%, (G): ±2%, (K): ±10% tolerance.
- CAPACITORS:**
Indicated in capacity (μF)/voltage (V) unless otherwise noted: p: pF
Indication without voltage is 50V except electrolytic capacitor.
- VOLTAGE, CURRENT:**
V: Signal voltage at 100W + 100W B1 output
DC voltage (V) at no input signal
Value in () is DC voltage at rated power.
mA: DC current at no input signal
- OTHERS:**
Signal route
Adjusting point
The mark found on some component parts indicates the importance of the safety factor of the part. Therefore, when replacing, be sure to use parts of identical designation.



- SWITCHES:**
- S1: INTERPERENCE OFF-ON
 - S2: FUNCTION
PHONO 2 (MC)-PHONO 2 (MM)-PHONO 1 (MM)-TUNER-AUX
 - S3: CARTRIDGE LOAD (C)
100p-200p-300p-400p-500p
 - S4: CARTRIDGE LOAD (R)
100-10k-25k-50k-100k
 - S5: TAPE MONITOR 1-OFF-2
 - S6: TAPE DUPLICATE 1-2-OFF-2-1
 - S7: MODE
REV-STEREO-L+R-L-R
 - S8: MUTING OFF-20dB
 - S9: LOUDNESS OFF-ON
 - S10: BASS TURNOVER 400Hz-200Hz
 - S11: TONE OFF-ON
 - S12: TREBLE TURNOVER 2.5kHz-5kHz
 - S13: SUBSONIC FILTER OFF-15Hz
 - S14: HIGH FILTER OFF-8kHz
 - S15: DIMMER BRIGHT-DIM
 - S16: SPEAKER OFF-ON
 - S18: POWER OFF- A-B-A+B

This is the basic schematic diagram, but the actual circuit may vary due to improvements in design.

The underlined indicates the switch position.