

# Pioneer

## Service Manual



SC-71

ORDER NO.  
**RRV4462**

AV RECEIVER

# SC-71

## SC-1228-K

## SC-1223-K

**THIS MANUAL IS APPLICABLE TO THE FOLLOWING MODEL(S) AND TYPE(S).**

| Model     | Type  | Power Requirement | Remarks |
|-----------|-------|-------------------|---------|
| SC-71     | CUXJ  | AC 120V           |         |
| SC-1228-K | CUXJ  | AC 120V           |         |
| SC-1223-K | UXJCB | AC 120V           |         |

**THIS SERVICE MANUAL SHOULD BE USED TOGETHER WITH THE FOLLOWING MANUAL(S).**

| Model No.                   | Order No. | Remarks   |
|-----------------------------|-----------|---|
| SC-71, SC-1228-K, SC-1223-K | RRV4450   | BLOCK DIAGRAM, EXPLODED VIEWS AND PARTS LIST etc. |



**PIONEER CORPORATION** 1-1, Shin-ogura, Saiwai-ku, Kawasaki-shi, Kanagawa 212-0031, Japan

**PIONEER ELECTRONICS (USA) INC.** P.O. Box 1760, Long Beach, CA 90801-1760, U.S.A.

**PIONEER EUROPE NV** Haven 1087, Keetberglaan 1, 9120 Melsele, Belgium

**PIONEER ELECTRONICS ASIACENTRE PTE. LTD.** 253 Alexandra Road, #04-01, Singapore 159936

©PIONEER CORPORATION 2013

K-FZV JULY 2013 Printed in Japan

1 2 3 4

# SAFETY INFORMATION

This service manual is intended for qualified service technicians ; it is not meant for the casual do-it-yourselfer. Qualified technicians have the necessary test equipment and tools, and have been trained to properly and safely repair complex products such as those covered by this manual.

Improperly performed repairs can adversely affect the safety and reliability of the product and may void the warranty. If you are not qualified to perform the repair of this product properly and safely, you should not risk trying to do so and refer the repair to a qualified service technician.

**WARNING**

This product contains lead in solder and certain electrical parts contain chemicals which are known to the state of California to cause cancer, birth defects or other reproductive harm.

Health & Safety Code Section 25249.6 - Proposition 65

**NOTICE**

(FOR CANADIAN MODEL ONLY)

Fuse symbols (fast operating fuse) and/or (slow operating fuse) on PCB indicate that replacement parts must be of identical designation.

**REMARQUE**

(POUR MODÈLE CANADIEN SEULEMENT)

Les symboles de fusible (fusible de type rapide) et/ou (fusible de type lent) sur CCI indiquent que les pièces de remplacement doivent avoir la même désignation.

(FOR USA MODEL ONLY)

## 1. SAFETY PRECAUTIONS

The following check should be performed for the continued protection of the customer and service technician.

### LEAKAGE CURRENT CHECK

Measure leakage current to a known earth ground (water pipe, conduit, etc.) by connecting a leakage current tester such as Simpson Model 229-2 or equivalent between the earth ground and all exposed metal parts of the appliance (input/output terminals, screwheads, metal overlays, control shaft, etc.). Plug the AC line cord of the appliance directly into a 120V AC 60 Hz outlet and turn the AC power switch on. Any current measured must not exceed 0.5 mA.

AC Leakage Test

**ANY MEASUREMENTS NOT WITHIN THE LIMITS OUTLINED ABOVE ARE INDICATIVE OF A POTENTIAL SHOCK HAZARD AND MUST BE CORRECTED BEFORE RETURNING THE APPLIANCE TO THE CUSTOMER.**

## 2. PRODUCT SAFETY NOTICE

Many electrical and mechanical parts in the appliance have special safety related characteristics. These are often not evident from visual inspection nor the protection afforded by them necessarily can be obtained by using replacement components rated for voltage, wattage, etc. Replacement parts which have these special safety characteristics are identified in this Service Manual.

Electrical components having such features are identified by marking with a on the schematics and on the parts list in this Service Manual.

The use of a substitute replacement component which does not have the same safety characteristics as the PIONEER recommended replacement one, shown in the parts list in this Service Manual, may create shock, fire, or other hazards.

Product Safety is continuously under review and new instructions are issued from time to time. For the latest information, always consult the current PIONEER Service Manual. A subscription to, or additional copies of, PIONEER Service Manual may be obtained at a nominal charge from PIONEER.

2

SC-71

1 2 3 4



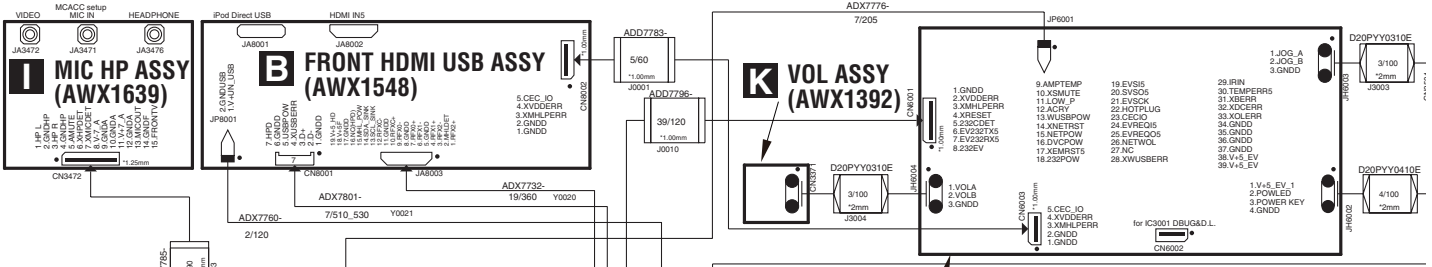
# CONTENTS

|   |     |   |
|---|-----|---|
| SAFETY INFORMATION.....   | 2   |   |
| 10. SCHEMATIC DIAGRAM .....   | 4   |   |
| 10.1 OVERALL WIRING DIAGRAM .....   | 4   | A |
| 10.2 AUDIO_SS ASSY (1/3).....   | 6   |   |
| 10.3 AUDIO_SS ASSY (2/3).....   | 8   |   |
| 10.4 AUDIO_SS ASSY (3/3).....   | 10  |   |
| 10.5 FRONT HDMI USB ASSY .....  | 12  |   |
| 10.6 USB RECT_SS ASSY and OPT COAX_SS ASSY .....  | 14  |   |
| 10.7 DIGITAL MAIN_L ASSY (1/11) .....   | 16  |   |
| 10.8 DIGITAL MAIN_L ASSY (2/11) .....   | 18  |   |
| 10.9 DIGITAL MAIN_L ASSY (3/11) .....   | 20  |   |
| 10.10 DIGITAL MAIN_L ASSY (4/11) .....  | 22  |   |
| 10.11 DIGITAL MAIN_L ASSY (5/11) .....  | 24  |   |
| 10.12 DIGITAL MAIN_L ASSY (6/11) .....  | 26  |   |
| 10.13 DIGITAL MAIN_L ASSY (7/11) .....  | 28  | B |
| 10.14 DIGITAL MAIN_L ASSY (8/11) .....  | 30  |   |
| 10.15 DIGITAL MAIN_L ASSY (9/11) .....  | 32  |   |
| 10.16 DIGITAL MAIN_L ASSY (10/11) .....   | 34  |   |
| 10.17 DIGITAL MAIN_L ASSY (11/11) .....   | 36  |   |
| 10.18 INTERFACE_SS ASSY .....   | 38  |   |
| 10.19 232C_SS ASSY.....   | 40  |   |
| 10.20 VIDEO_SS ASSY .....   | 42  |   |
| 10.21 MIC HP ASSY.....  | 44  |   |
| 10.22 DISPLAY ASSY (1/2).....   | 46  |   |
| 10.23 DISPLAY ASSY (2/2) and VOL ASSY .....   | 48  |   |
| 10.24 POWER SW ASSY and ENCODER ASSY .....  | 49  |   |
| 10.25 IR BUFFER_SS ASSY (1/2).....  | 50  | C |
| 10.26 IR BUFFER_SS ASSY (2/2).....  | 52  |   |
| 10.27 D-AMP_SS ASSY (1/5) .....   | 54  |   |
| 10.28 D-AMP_SS ASSY (2/5) .....   | 56  |   |
| 10.29 D-AMP_SS ASSY (3/5) .....   | 58  |   |
| 10.30 D-AMP_SS ASSY (4/5) .....   | 60  |   |
| 10.31 D-AMP_SS ASSY (5/5) .....   | 62  |   |
| 10.32 PRIMARY ASSY.....   | 64  |   |
| 10.33 B-DIODE_SS ASSY .....   | 66  |   |
| 10.34 V-REG_SS ASSY (1/2).....  | 68  |   |
| 10.35 V-REG_SS ASSY (2/2).....  | 70  |   |
| 10.36 D-AUDIO BRIDGE1_SS ASSY and D-AUDIO BRIDGE2_SS ASSY .....   | 72  | D |
| 10.37 BT_SS, B TO B LOCK_SS, MIC HP GUARD, P WIRE GUARD_SS, FFC GUARD_SS, TRANS VREG STYL_SS and<br>PANEL GUARD ASSYS ..... | 73  |   |
| 11. PCB CONNECTION DIAGRAM .....  | 74  |   |
| 11.1 AUDIO_SS ASSY .....  | 74  |   |
| 11.2 FRONT HDMI USB, USB RECT_SS and OPT COAX_SS ASSYS.....   | 78  |   |
| 11.3 DIGITAL MAIN_L ASSY.....   | 80  |   |
| 11.4 INTERFACE_SS ASSY .....  | 84  |   |
| 11.5 232C_SS ASSY and VIDEO_SS ASSY .....   | 86  |   |
| 11.6 MIC HP, DISPLAY, VOL, POWER SW and ENCODER ASSYS .....   | 88  |   |
| 11.7 IR BUFFER_SS ASSY .....  | 92  |   |
| 11.8 D-AMP_SS ASSY.....   | 94  |   |
| 11.9 PRIMARY ASSY .....   | 98  | E |
| 11.10 B-DIODE_SS ASSY .....   | 100 |   |
| 11.11 V-REG_SS, D-AUDIO BRIDGE1_SS and D-AUDIO_BRIDGE2_SS ASSYS.....  | 102 |   |
| 11.12 BT_SS, B TO B LOCK_SS, MIC HP GUARD, P WIRE GUARD_SS, FFC GUARD_SS, TRANS VREG STYL_SS and<br>PANEL GUARD ASSYS ..... | 106 |   |
| 12. PCB PARTS LIST .....  | 108 |   |

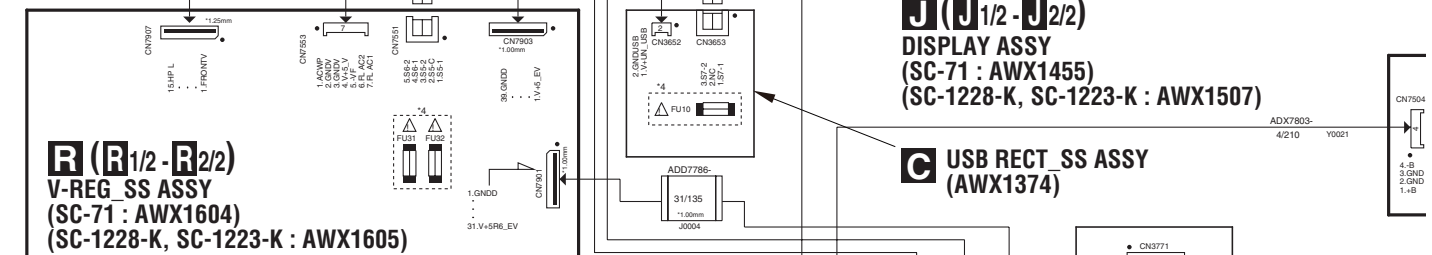
# 10. SCHEMATIC DIAGRAM

## 10.1 OVERALL WIRING DIAGRAM

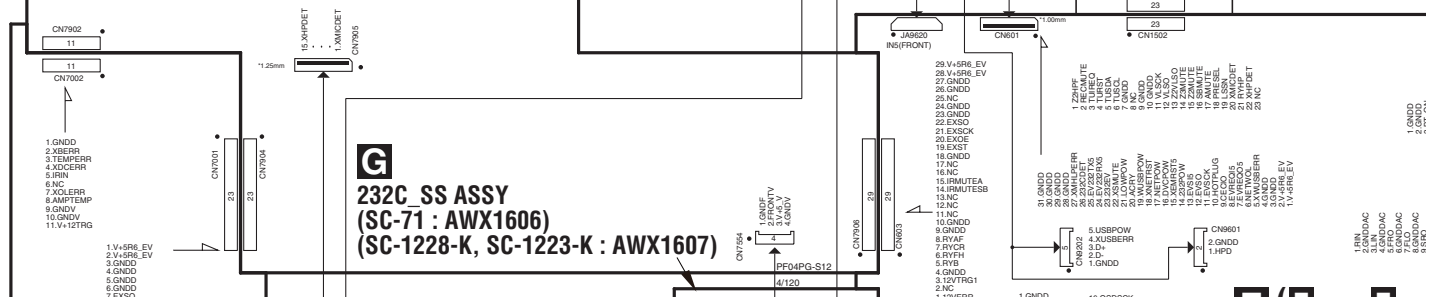
A



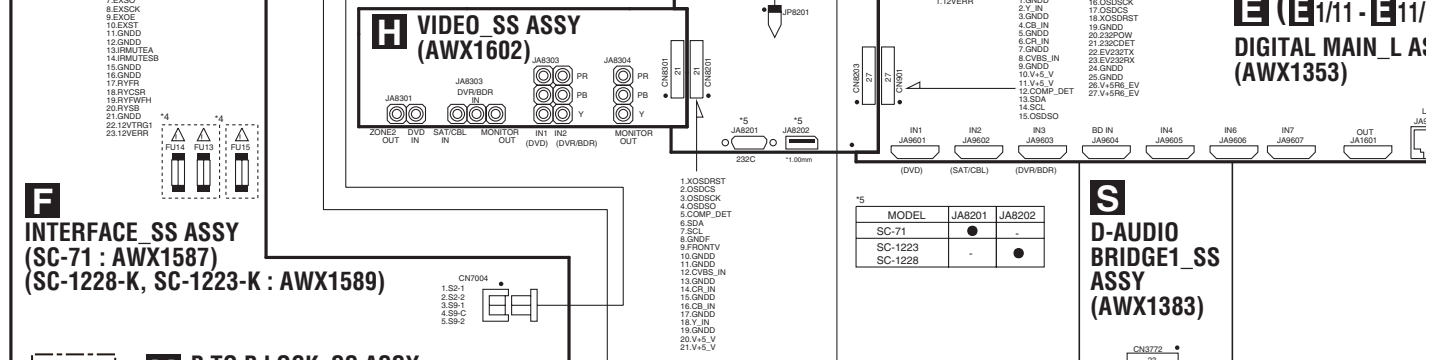
B



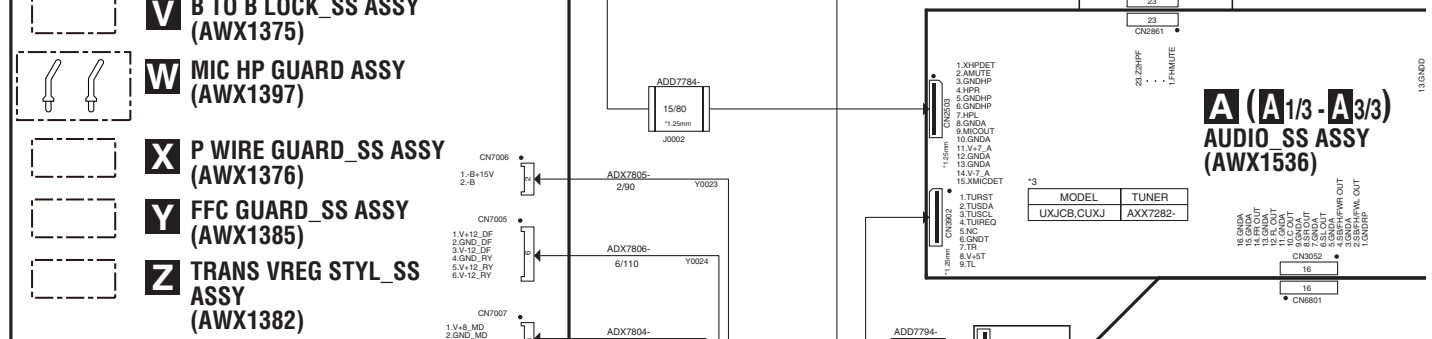
C



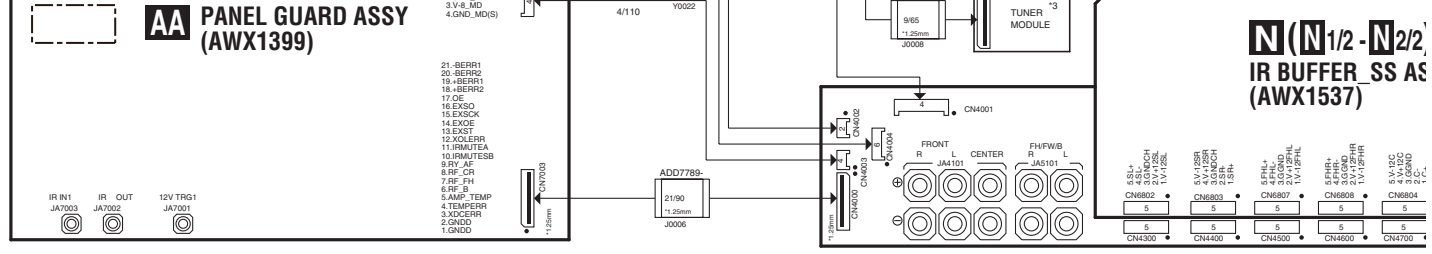
D



E



F



4

1

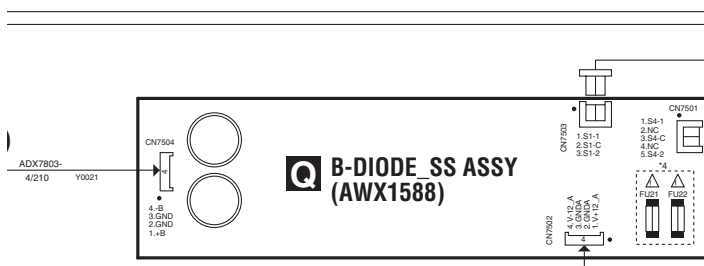
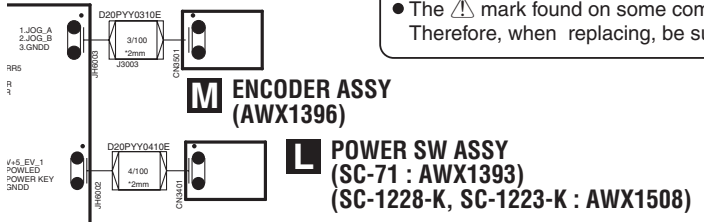
2

3

4

● When ordering service parts, be sure to refer to "EXPLODED VIEWS and PARTS LIST" or "PCB PARTS LIST".  
 ● The  $\Delta$  mark found on some component parts indicates the importance of the safety factor of the part. Therefore, when replacing, be sure to use parts of identical designation.

The  $\Delta$  mark found on some component parts should be replaced with same parts (safety regulation authorized) of identical designation.



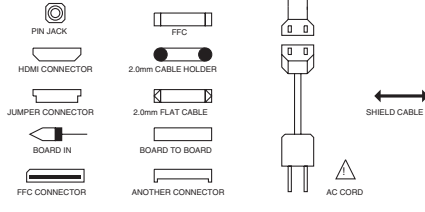
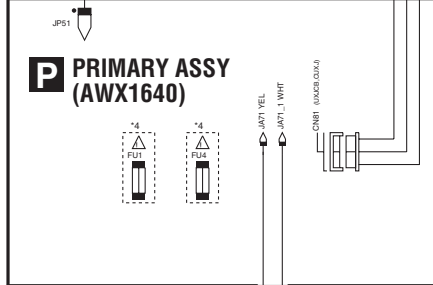
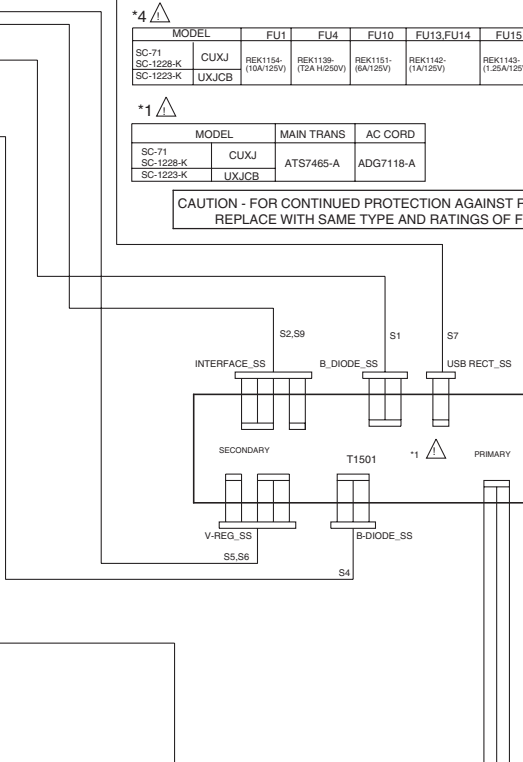
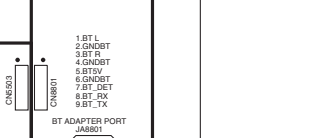
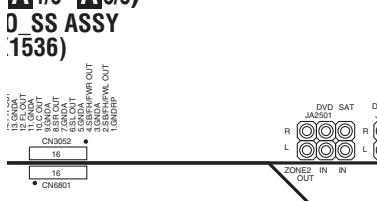
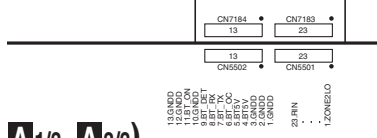
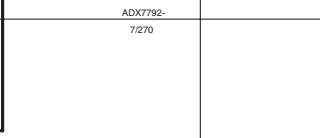
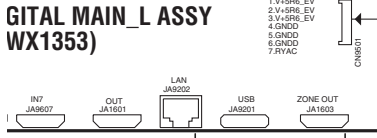
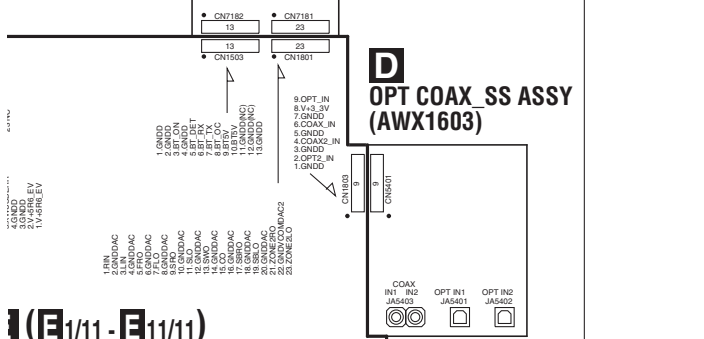
\*4  $\Delta$

| MODEL     | FU1   | FU4               | FU10               | FU13,FU14        | FU15             | FU21,FU22           | FU31,FU32        |
|-----------|-------|-------------------|--------------------|------------------|------------------|---------------------|------------------|
| SC-71     | CUXJ  | REK1154-(10A125V) | REK1139-(7.5A125V) | REK1151-(6A125V) | REK1142-(1A125V) | REK1143-(1.25A125V) | REK1142-(1A125V) |
| SC-1228-K | CUXJ  | REK1154-(10A125V) | REK1139-(7.5A125V) | REK1151-(6A125V) | REK1142-(1A125V) | REK1143-(1.25A125V) | REK1142-(1A125V) |
| SC-1223-K | UXJCB | REK1154-(10A125V) | REK1139-(7.5A125V) | REK1151-(6A125V) | REK1142-(1A125V) | REK1143-(1.25A125V) | REK1142-(1A125V) |

\*1  $\Delta$

| MODEL     | MAIN TRANS | AC CORD   |
|-----------|------------|-----------|
| SC-71     | CUXJ       | ATS7465-A |
| SC-1228-K | UXJCB      | ADG7118-A |
| SC-1223-K | UXJCB      | ADG7118-A |

CAUTION - FOR CONTINUED PROTECTION AGAINST RISK OF FIRE, REPLACE WITH SAME TYPE AND RATINGS OF FUSE.



\*OPTION

| MODEL     | MICROPHONE | REMO-COM | iPod CABLE |
|-----------|------------|----------|------------|
| SC-71     | CUXJ       | APM7011- | -          |
| SC-1228-K | CUXJ       | APM7011- | -          |
| SC-1223-K | UXJCB      | AXD7694- | -          |

# 10.2 AUDIO\_SS ASSY (1/3)

1

2

3

4

A

B

C

D

E

F

**Q** CN7502

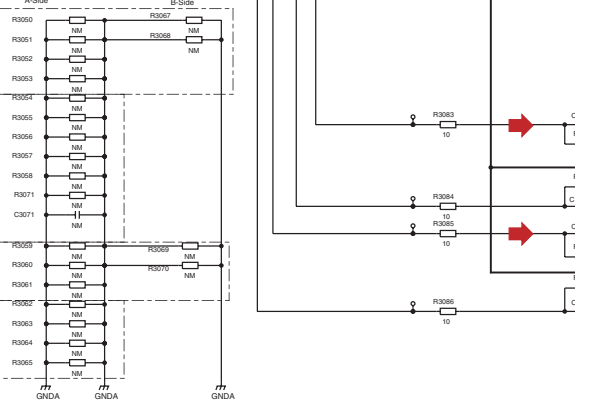
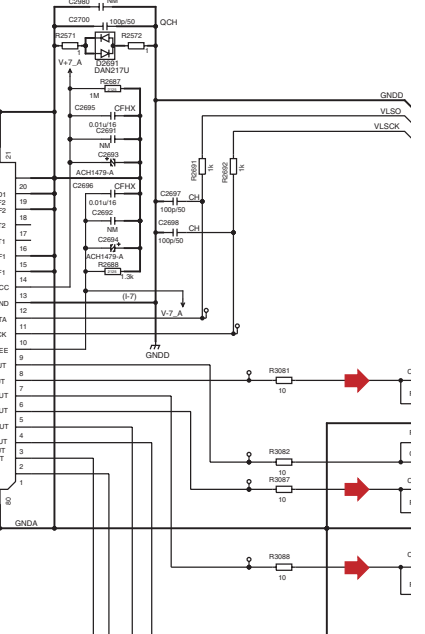
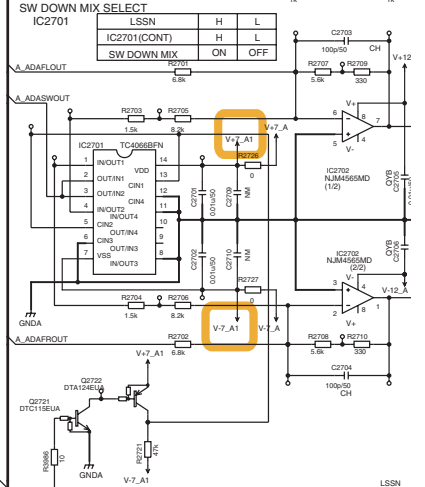
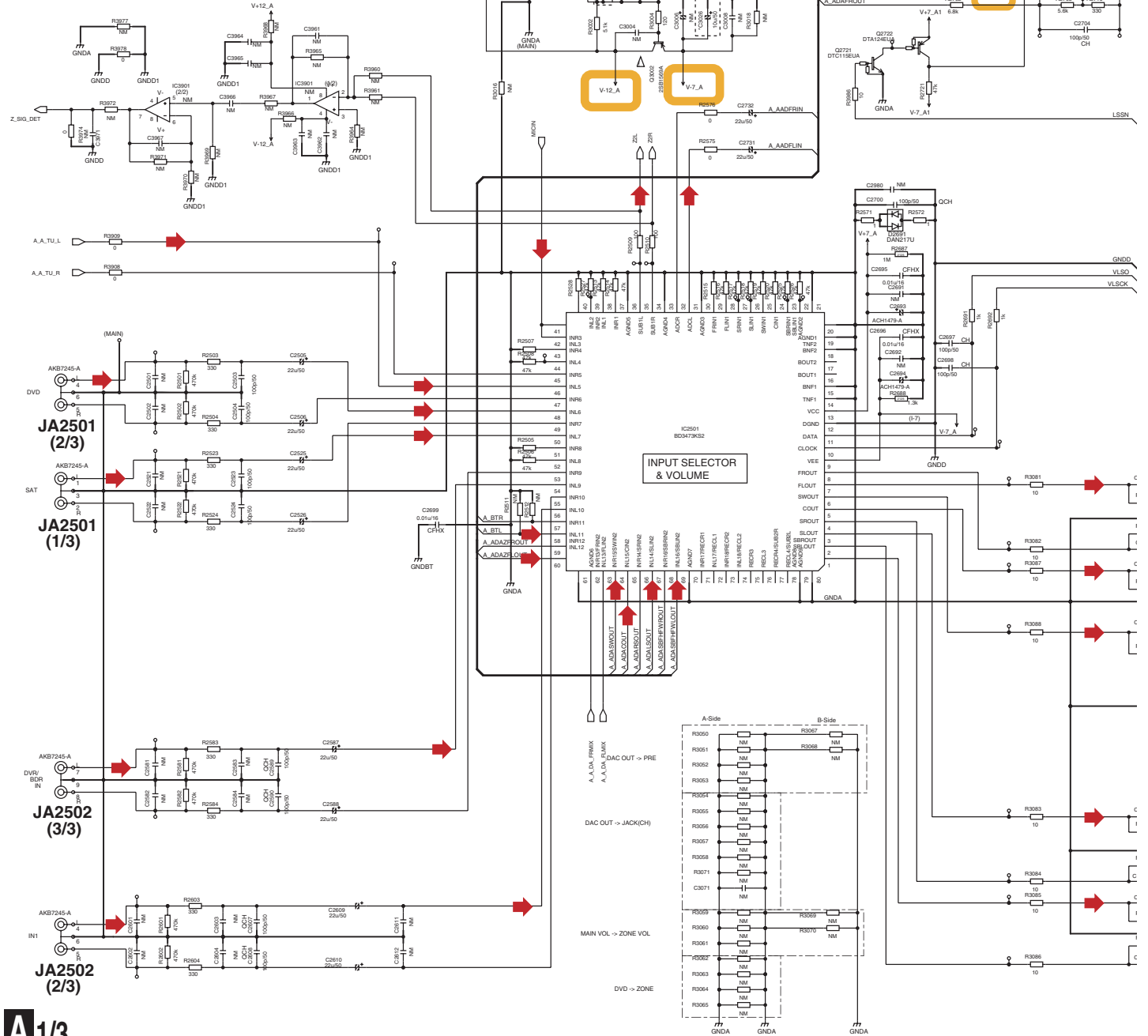
JP3001

JA2501 (3/3)

ZONE OUT

|       |    |         |         |         |
|-------|----|---------|---------|---------|
| C3015 | NM | AWX1536 | AWX1362 | AWX1633 |
| C3016 | NM | 220u/16 | 220u/16 | 220u/16 |

|       |         |         |         |           |
|-------|---------|---------|---------|-----------|
| C3001 | 2.2u/50 | AWX1536 | AWX1362 | ACH7379-A |
| C3002 | 2.2u/50 | 2.2u/50 | 2.2u/50 | ACH7379-A |
| C3025 | 10u/50  | 10u/50  | 10u/50  | ACH7380-A |
| C3026 | 10u/50  | 10u/50  | 10u/50  | ACH7380-A |



**A**1/3


SC-71

1

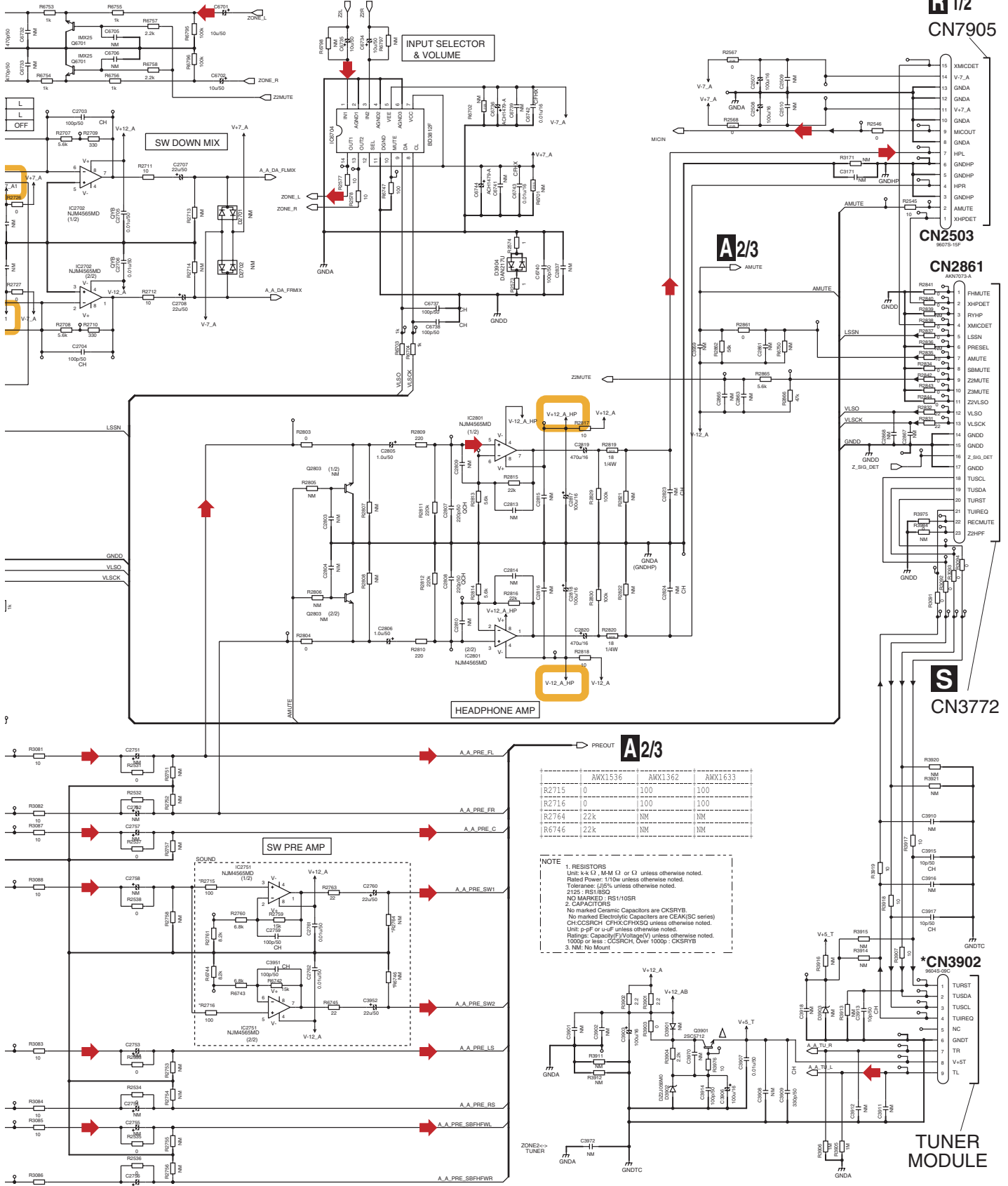
2

3

4

- When ordering service parts, be sure to refer to "EXPLODED VIEWS and PARTS LIST" or "PCB PARTS LIST".
- The  $\Delta$  mark found on some component parts indicates the importance of the safety factor of the part. Therefore, when replacing, be sure to use parts of identical designation.
-  : The power supply is shown with the marked box.

# A1/3 AUDIO\_SS ASSY(1/3) (AWX1536)



|       | AWX1536 | AWX1362 | AWX1633 |
|-------|---------|---------|---------|
| R2715 | 0       | 100     | 100     |
| R2716 | 0       | 100     | 100     |
| R2764 | 22k     | NM      | NM      |
| R6746 | 22k     | NM      | NM      |

**NOTE**

- RESISTORS**  
Unit: k  $\Omega$ , M  $\Omega$  or  $\Omega$  unless otherwise noted.  
Rated Power: 1/10w unless otherwise noted.  
Tolerance:  $\pm 5\%$  unless otherwise noted.  
2125: RS1/BSQ  
NO MARKED: RS1/10SR
- CAPACITORS**  
No marked Ceramic Capacitors are CKSR5B.  
No marked Electrolytic Capacitors are CEAK(SIC series)  
CH/COS/CH: CFKX/CFKXQ unless otherwise noted.  
Unit: p-pF or u-F unless otherwise noted.  
Rating: Capacity(V)/Voltage(V) unless otherwise noted.  
1000p or less: C/CF/CR, Over 1000p: CKSR5B  
3. NM: No Mount

The  $\Delta$  mark found on some component parts should be replaced with same parts(safety regulation authorized) of identical designation.

 : Audio Signal Route

R 1/2  
CN7905

A 2/3  
AMUTE

CN2503  
9607S-15F

CN2861  
AKN7073-A

S  
CN3772

A 2/3  
PREOUT

\*CN3902  
9604S-09C

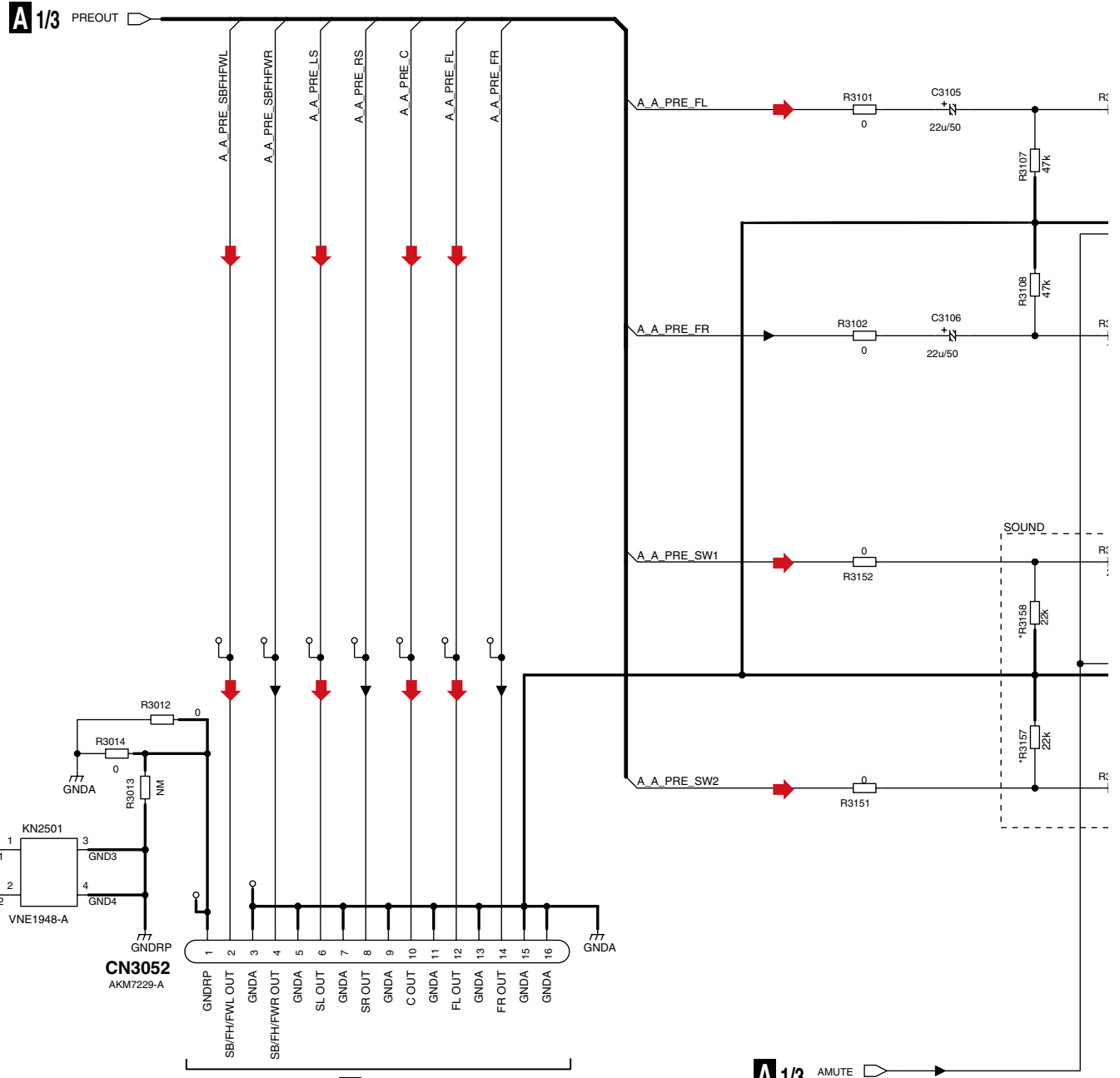
TUNER MODULE

A1/3

# 10.3 AUDIO\_SS ASSY (2/3)

The  $\Delta$  mark found on some component parts should be replaced with same parts(safety regulation authorized) of identical designation.

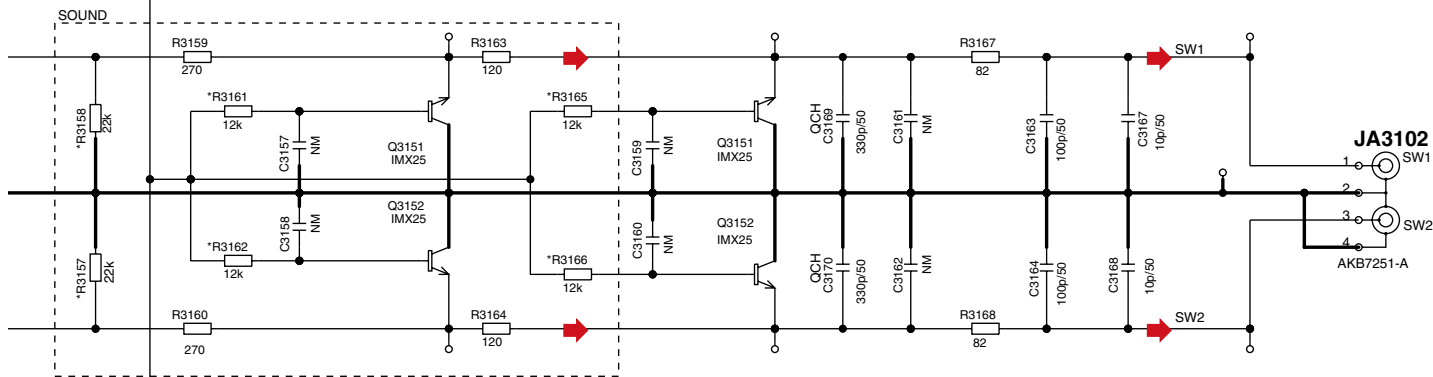
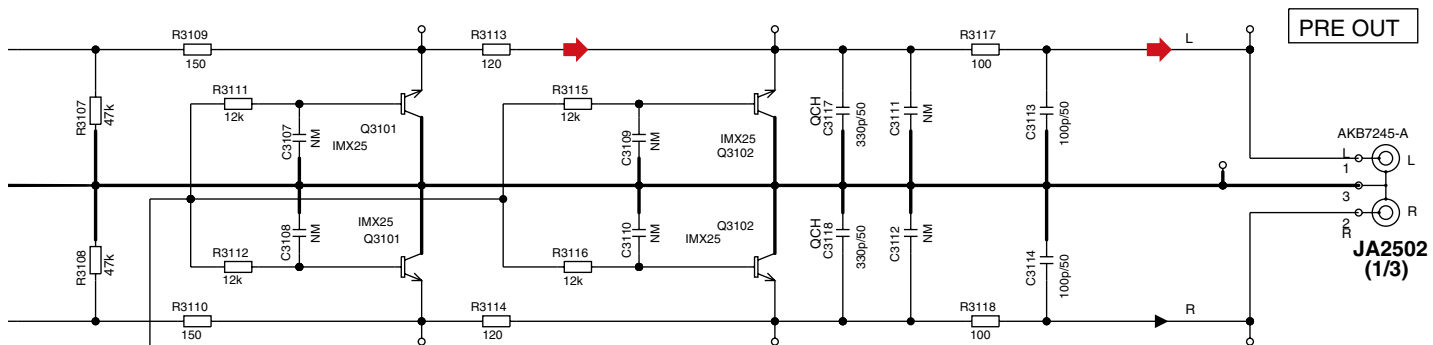
**NOTE**  
 1. RESISTOR  
 Unit: k- $\Omega$   
 Rated Power  
 Tolerance:  
 2125: RS1  
 NO MARK  
 2. CAPACITOR  
 No marked  
 No marked  
 No marked  
 CH:CCSR  
 Unit: p-pF  
 Ratings: C  
 1000p or le  
 3. NM: No h



# A<sup>2/3</sup> AUDIO\_SS ASSY(2/3) (AWX1536)

**NOTE**

1. RESISTORS  
 Unit: k  $\Omega$  , M-M  $\Omega$  or  $\Omega$  unless otherwise noted.  
 Rated Power: 1/10w unless otherwise noted.  
 Tolerance: (J)5% unless otherwise noted.  
 2125 : RS1/8SQ  
 NO MARKED : RS1/10SR  
 2. CAPACITORS  
 No marked Ceramic Capacitors are CKSRYB.  
 No marked Electrolytic Capacitors are CEAT(VSX and VSA series)  
 No marked Electrolytic Capacitors are CEAK(SC series)  
 CH:CCSRCH CFHX:CFHXSQ unless otherwise noted.  
 Unit: p-pF or u-uF unless otherwise noted.  
 Ratings: Capacity(F)/Voltage(V) unless otherwise noted.  
 1000p or less : CCSRCH, Over 1000p : CKSRYB  
 3. NM: No Mount



|       | AWX1536 | AWX1362 | AWX1633 |
|-------|---------|---------|---------|
| R3157 | 100k    | 22k     | 22k     |
| R3158 | 100k    | 22k     | 22k     |
| R3161 | 10k     | 12k     | 12k     |
| R3162 | 10k     | 12k     | 12k     |
| R3165 | 10k     | 12k     | 12k     |
| R3166 | 10k     | 12k     | 12k     |

➔ : Audio Signal Route

# 10.4 AUDIO\_SS ASSY (3/3)

1

2

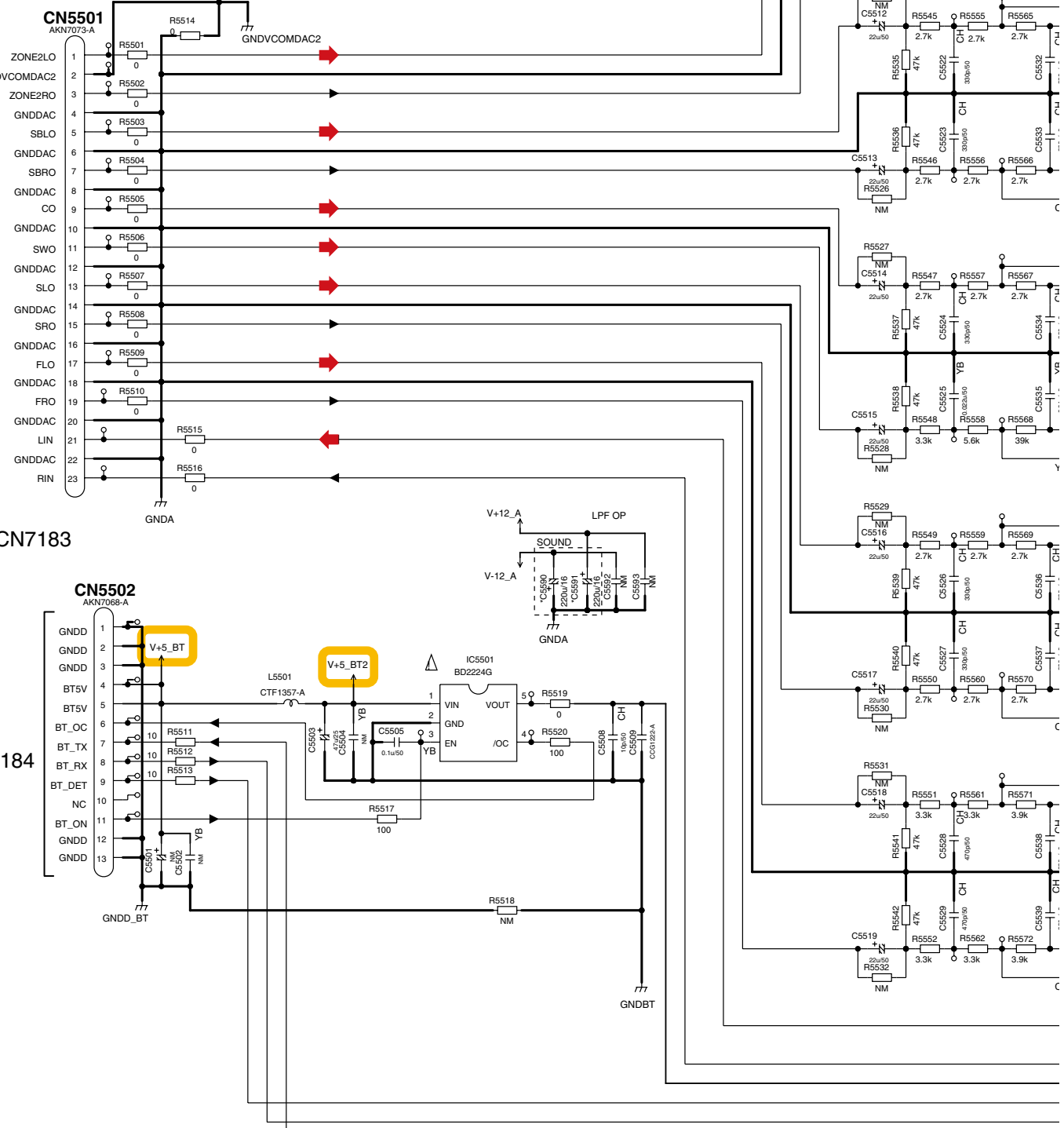
3

4

### NOTE

- RESISTORS  
Unit: k-k  $\Omega$ , M-M  $\Omega$  or  $\Omega$  unless otherwise noted.  
Rated Power: 1/10w unless otherwise noted.  
Tolerance: (J)5% unless otherwise noted.  
MUF : RD1/4MUF  
2125 : RS1/8SQ, 3216 : RS1/4SA  
NO MARKED : RS1/10SR unless otherwise noted.
- CAPACITORS  
Unit: p-pF or u-uF unless otherwise noted.  
Ratings: Capacity(F)/Voltage(V) unless otherwise noted.  
CH : CCSRCH , CFTLA : CFTLA  
NO MARKED : CKSRYB or CEAK  
3. NM: No Mount

The  $\Delta$  mark found on some component parts should be replaced with same parts (safety regulation authorized) of identical designation.



A

B

C

D

E

F

1

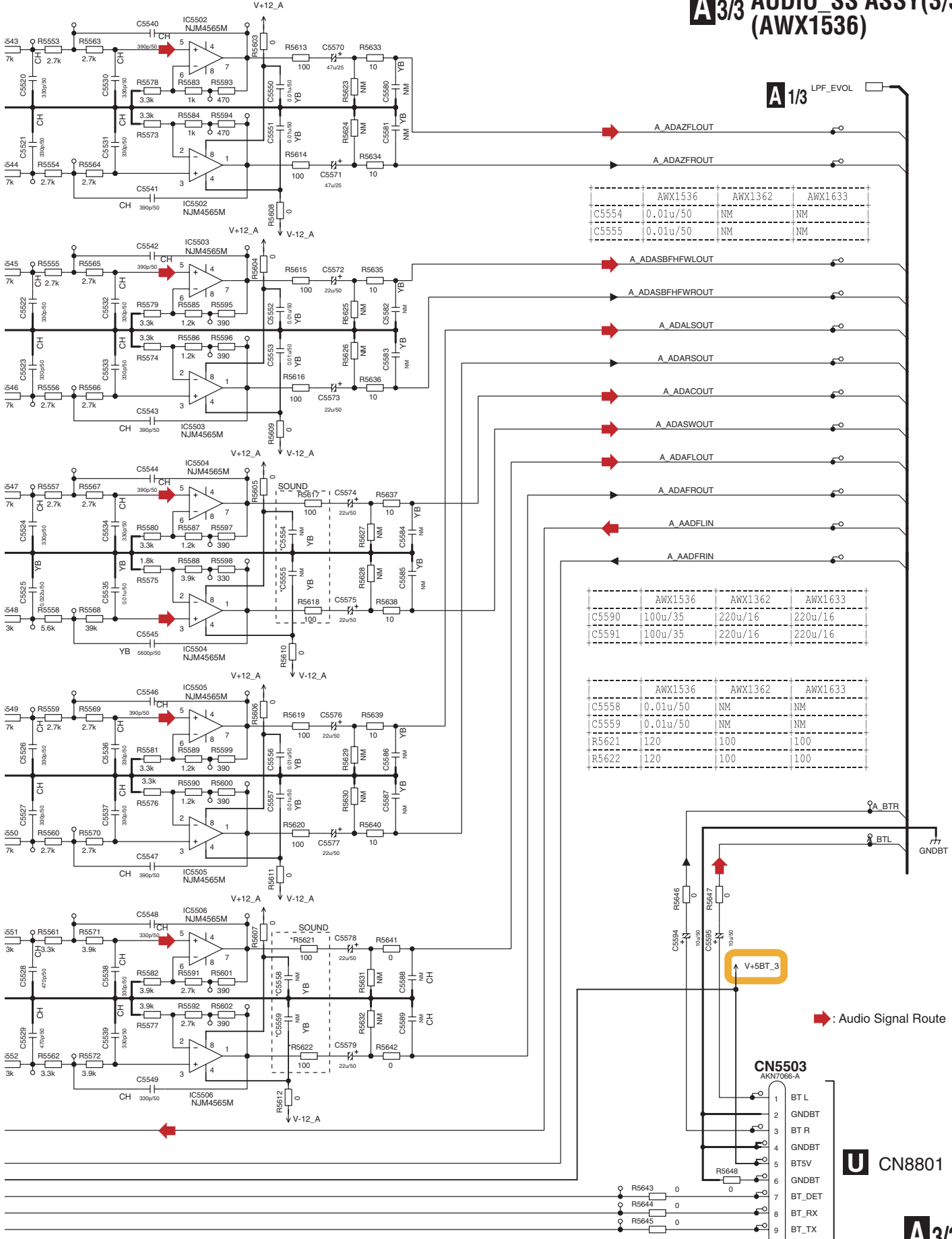
2

3

4



# A3/3 AUDIO\_SS ASSY(3/3) (AWX1536)



A 1/3

|       |          |         |         |
|-------|----------|---------|---------|
|       | AWX1536  | AWX1362 | AWX1633 |
| C5554 | 0.01u/50 | NM      | NM      |
| C5555 | 0.01u/50 | NM      | NM      |

|       |         |         |         |
|-------|---------|---------|---------|
|       | AWX1536 | AWX1362 | AWX1633 |
| C5590 | 100u/35 | 220u/16 | 220u/16 |
| C5591 | 100u/35 | 220u/16 | 220u/16 |

|       |          |         |         |
|-------|----------|---------|---------|
|       | AWX1536  | AWX1362 | AWX1633 |
| C5558 | 0.01u/50 | NM      | NM      |
| C5559 | 0.01u/50 | NM      | NM      |
| R5621 | 120      | 100     | 100     |
| R5622 | 120      | 100     | 100     |

CN5503  
AKN7066-A

- 1 BT L
- 2 GNDBT
- 3 BT R
- 4 GNDBT
- 5 BT5V
- 6 GNDBT
- 7 BT\_DET
- 8 BT\_RX
- 9 BT\_TX

U CN8801

SC-71

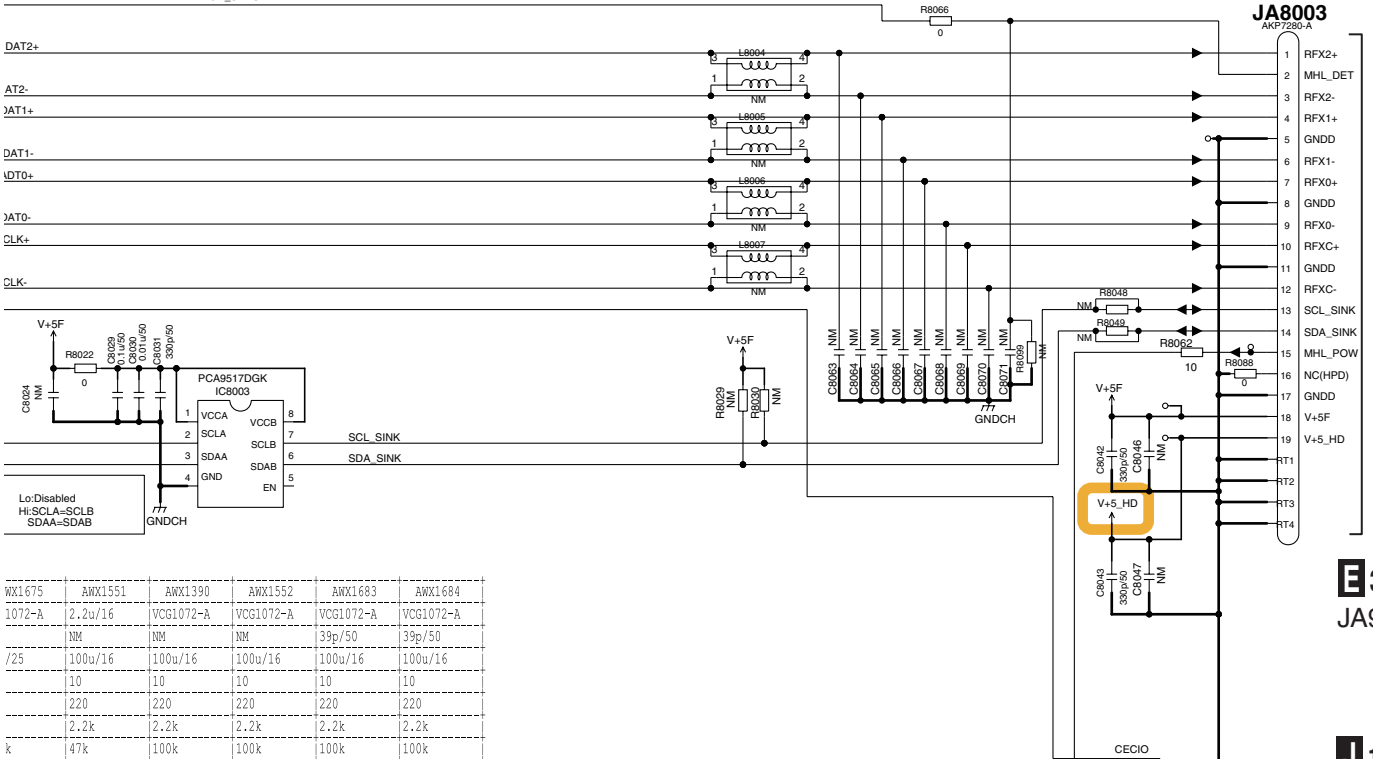
A3/3



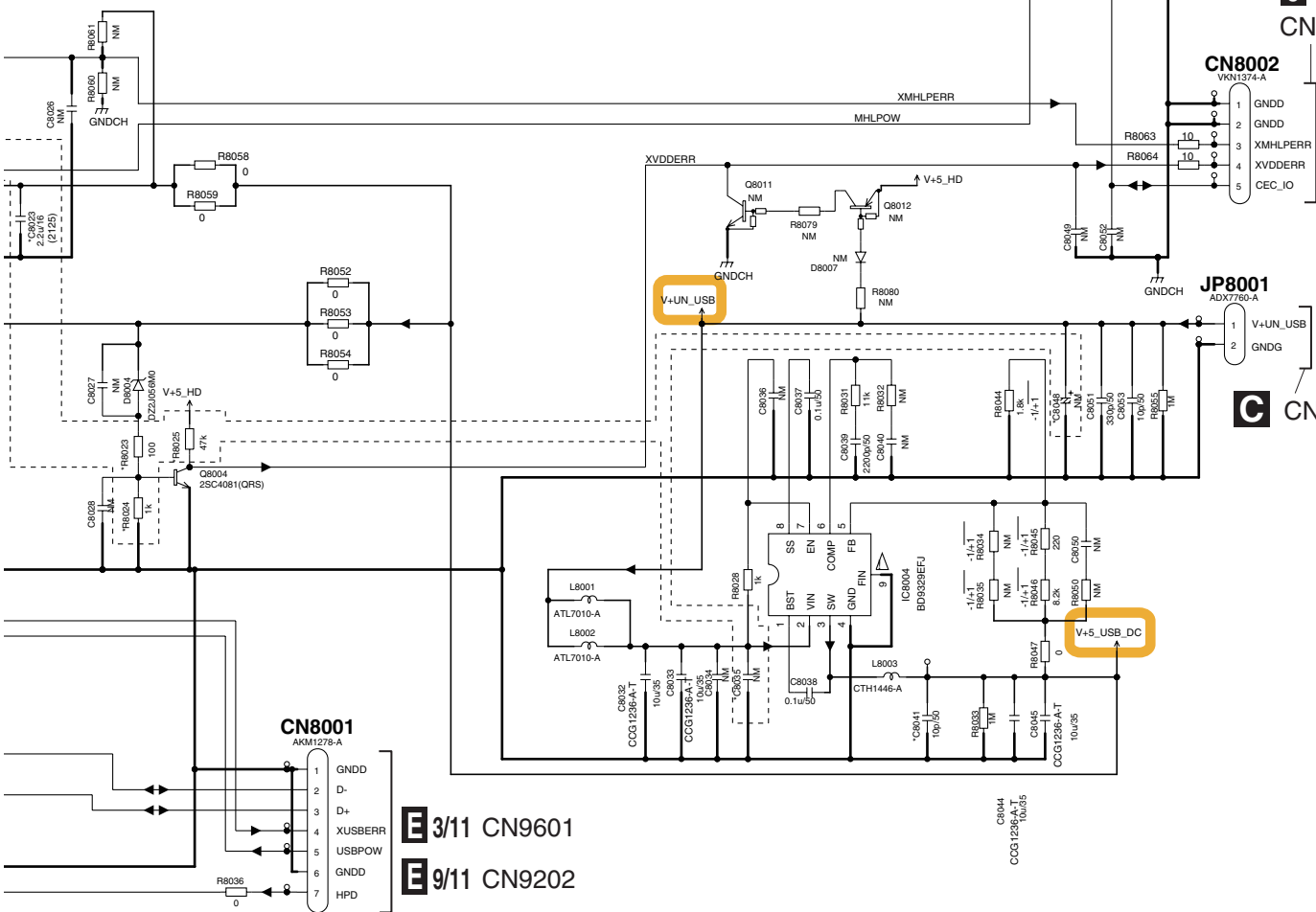
# B FRONT HDMI USB ASSY (AWX1548)

| AWX1390  | AWX1552  | AWX1683   | AWX1684   |
|----------|----------|-----------|-----------|
| 47p/50   | 47p/50   | 47p/50    | 47p/50    |
| 0.01u/50 | 0.01u/50 | 0.01u/50  | 0.01u/50  |
| 220u/16  | 220u/16  | ACH7377-A | ACH7377-A |

CO\_SENSE



| WX1675 | AWX1551 | AWX1390   | AWX1552   | AWX1683   | AWX1684   |
|--------|---------|-----------|-----------|-----------|-----------|
| 1072-A | 2.2u/16 | VCG1072-A | VCG1072-A | VCG1072-A | VCG1072-A |
|        | NM      | NM        | NM        | NM        | NM        |
| /25    | 100u/16 | 100u/16   | 100u/16   | 100u/16   | 100u/16   |
|        | 10      | 10        | 10        | 10        | 10        |
|        | 220     | 220       | 220       | 220       | 220       |
|        | 2.2k    | 2.2k      | 2.2k      | 2.2k      | 2.2k      |
| k      | 47k     | 100k      | 100k      | 100k      | 100k      |



CN8001 AKM1278-A

E 3/11 CN9601

E 9/11 CN9202

E 3/11 JA9620

J 1/2 CN6003

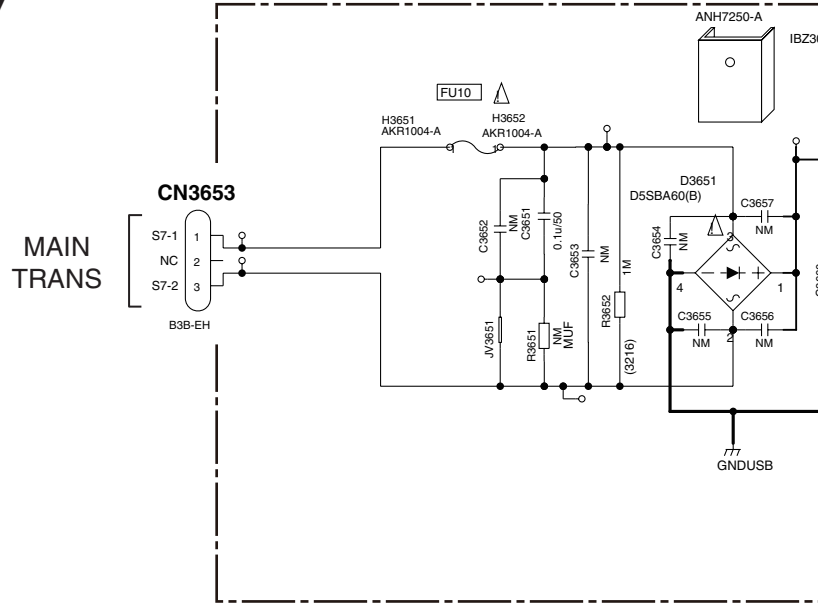
CN8002 VKM1374-A

JP8001 ADX7760-A

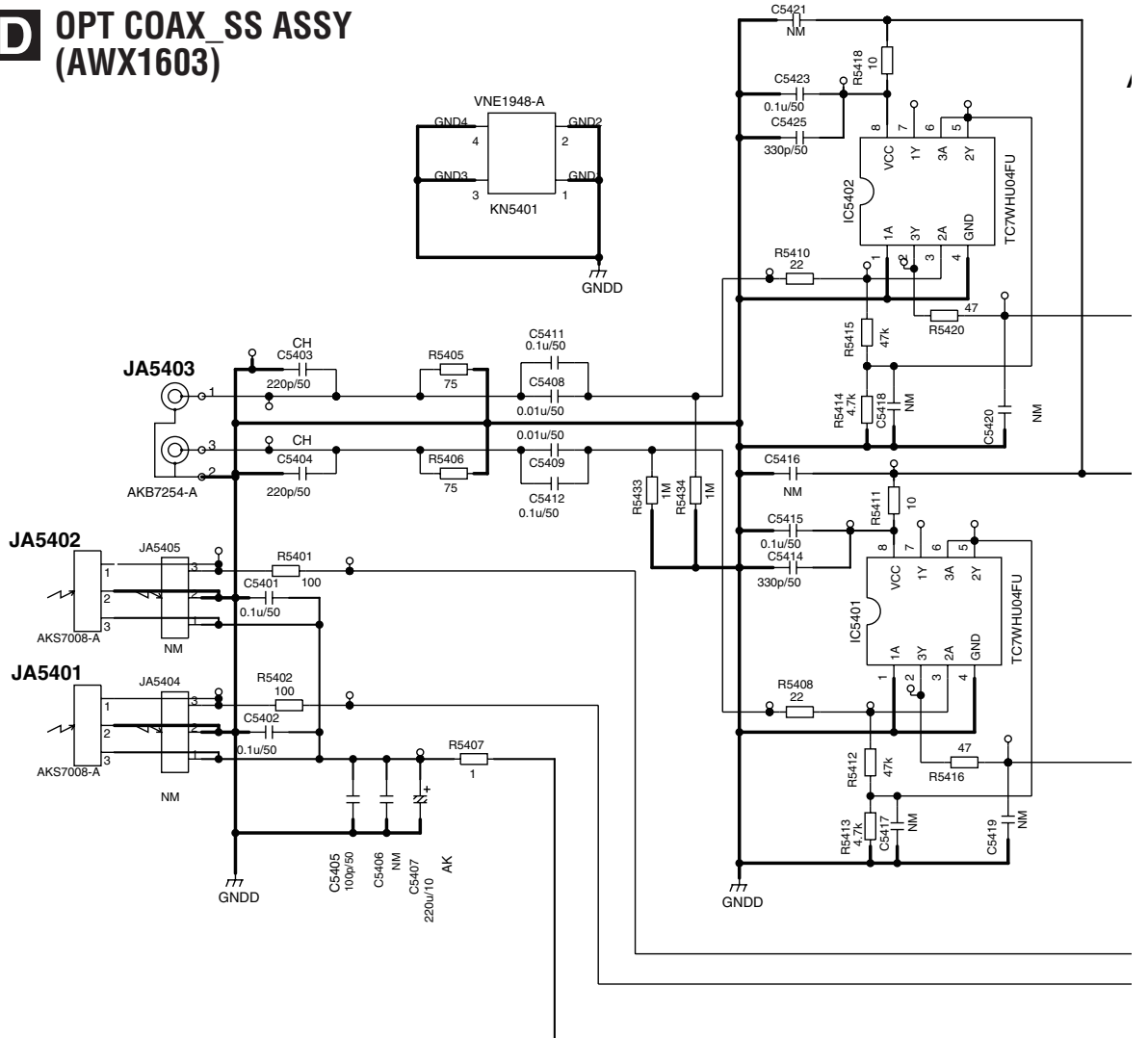
C CN3652

# 10.6 USB RECT\_SS ASSY and OPT COAX\_SS ASSY

**C** USB RECT\_SS ASSY (AWX1374)



**D** OPT COAX\_SS ASSY (AWX1603)









# 10.8 DIGITAL MAIN\_L ASSY (2/11)

1 2 3 4

A  
B  
C  
D  
E  
F

**E** 1/11, 3/11 - 5/11, 7/11, 8/11

**E** 3/11 - 10/11

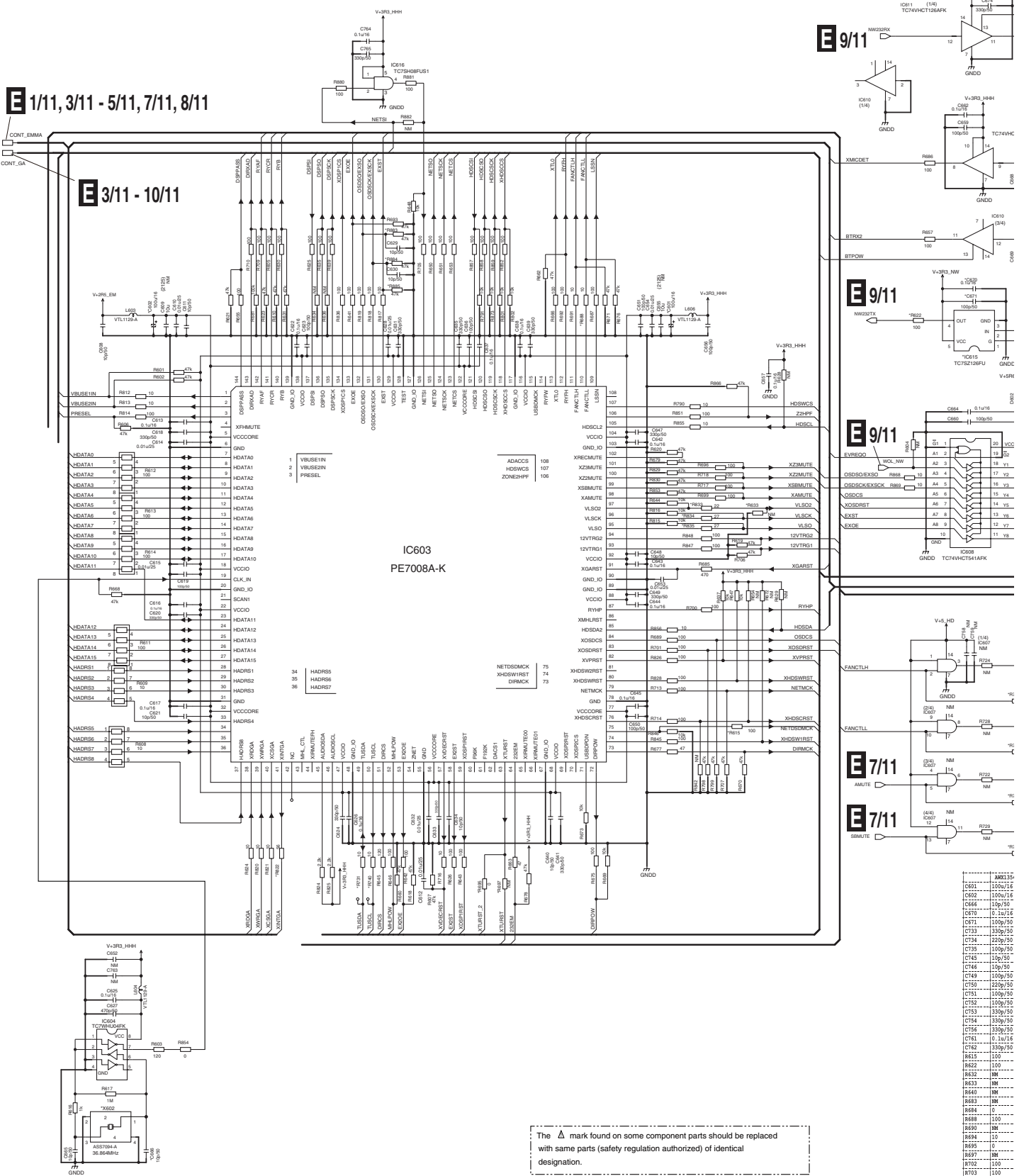
**E** 9/11

**E** 9/11

**E** 9/11

**E** 7/11

**E** 7/11



The  $\Delta$  mark found on some component parts should be replaced with same parts (safety regulation authorized) of identical designation.

|          |          |
|----------|----------|
| AS8704-A | 36.86MHz |
| C601     | 100p/50  |
| C602     | 100p/50  |
| C603     | 100p/50  |
| C604     | 100p/50  |
| C605     | 100p/50  |
| C606     | 100p/50  |
| C607     | 100p/50  |
| C608     | 100p/50  |
| C609     | 100p/50  |
| C610     | 100p/50  |
| C611     | 100p/50  |
| C612     | 100p/50  |
| C613     | 100p/50  |
| C614     | 100p/50  |
| C615     | 100p/50  |
| C616     | 100p/50  |
| C617     | 100p/50  |
| C618     | 100p/50  |
| C619     | 100p/50  |
| C620     | 100p/50  |
| C621     | 100p/50  |
| C622     | 100p/50  |
| C623     | 100p/50  |
| C624     | 100p/50  |
| C625     | 100p/50  |
| C626     | 100p/50  |
| C627     | 100p/50  |
| C628     | 100p/50  |
| C629     | 100p/50  |
| C630     | 100p/50  |
| C631     | 100p/50  |
| C632     | 100p/50  |
| C633     | 100p/50  |
| C634     | 100p/50  |
| C635     | 100p/50  |
| C636     | 100p/50  |
| C637     | 100p/50  |
| C638     | 100p/50  |
| C639     | 100p/50  |
| C640     | 100p/50  |
| C641     | 100p/50  |
| C642     | 100p/50  |
| C643     | 100p/50  |
| C644     | 100p/50  |
| C645     | 100p/50  |
| C646     | 100p/50  |
| C647     | 100p/50  |
| C648     | 100p/50  |
| C649     | 100p/50  |
| C650     | 100p/50  |
| C651     | 100p/50  |
| C652     | 100p/50  |
| C653     | 100p/50  |
| C654     | 100p/50  |
| C655     | 100p/50  |
| C656     | 100p/50  |
| C657     | 100p/50  |
| C658     | 100p/50  |
| C659     | 100p/50  |
| C660     | 100p/50  |
| C661     | 100p/50  |
| C662     | 100p/50  |
| C663     | 100p/50  |
| C664     | 100p/50  |
| C665     | 100p/50  |
| C666     | 100p/50  |
| C667     | 100p/50  |
| C668     | 100p/50  |
| C669     | 100p/50  |
| C670     | 100p/50  |
| C671     | 100p/50  |
| C672     | 100p/50  |
| C673     | 100p/50  |
| C674     | 100p/50  |
| C675     | 100p/50  |
| C676     | 100p/50  |
| C677     | 100p/50  |
| C678     | 100p/50  |
| C679     | 100p/50  |
| C680     | 100p/50  |
| C681     | 100p/50  |
| C682     | 100p/50  |
| C683     | 100p/50  |
| C684     | 100p/50  |
| C685     | 100p/50  |
| C686     | 100p/50  |
| C687     | 100p/50  |
| C688     | 100p/50  |
| C689     | 100p/50  |
| C690     | 100p/50  |
| C691     | 100p/50  |
| C692     | 100p/50  |
| C693     | 100p/50  |
| C694     | 100p/50  |
| C695     | 100p/50  |
| C696     | 100p/50  |
| C697     | 100p/50  |
| C698     | 100p/50  |
| C699     | 100p/50  |
| C700     | 100p/50  |
| R601     | 100      |
| R602     | 100      |
| R603     | 100      |
| R604     | 100      |
| R605     | 100      |
| R606     | 100      |
| R607     | 100      |
| R608     | 100      |
| R609     | 100      |
| R610     | 100      |
| R611     | 100      |
| R612     | 100      |
| R613     | 100      |
| R614     | 100      |
| R615     | 100      |
| R616     | 100      |
| R617     | 100      |
| R618     | 100      |
| R619     | 100      |
| R620     | 100      |
| R621     | 100      |
| R622     | 100      |
| R623     | 100      |
| R624     | 100      |
| R625     | 100      |
| R626     | 100      |
| R627     | 100      |
| R628     | 100      |
| R629     | 100      |
| R630     | 100      |
| R631     | 100      |
| R632     | 100      |
| R633     | 100      |
| R634     | 100      |
| R635     | 100      |
| R636     | 100      |
| R637     | 100      |
| R638     | 100      |
| R639     | 100      |
| R640     | 100      |
| R641     | 100      |
| R642     | 100      |
| R643     | 100      |
| R644     | 100      |
| R645     | 100      |
| R646     | 100      |
| R647     | 100      |
| R648     | 100      |
| R649     | 100      |
| R650     | 100      |
| R651     | 100      |
| R652     | 100      |
| R653     | 100      |
| R654     | 100      |
| R655     | 100      |
| R656     | 100      |
| R657     | 100      |
| R658     | 100      |
| R659     | 100      |
| R660     | 100      |
| R661     | 100      |
| R662     | 100      |
| R663     | 100      |
| R664     | 100      |
| R665     | 100      |
| R666     | 100      |
| R667     | 100      |
| R668     | 100      |
| R669     | 100      |
| R670     | 100      |
| R671     | 100      |
| R672     | 100      |
| R673     | 100      |
| R674     | 100      |
| R675     | 100      |
| R676     | 100      |
| R677     | 100      |
| R678     | 100      |
| R679     | 100      |
| R680     | 100      |
| R681     | 100      |
| R682     | 100      |
| R683     | 100      |
| R684     | 100      |
| R685     | 100      |
| R686     | 100      |
| R687     | 100      |
| R688     | 100      |
| R689     | 100      |
| R690     | 100      |
| R691     | 100      |
| R692     | 100      |
| R693     | 100      |
| R694     | 100      |
| R695     | 100      |
| R696     | 100      |
| R697     | 100      |
| R698     | 100      |
| R699     | 100      |
| R700     | 100      |

**E** 2/11

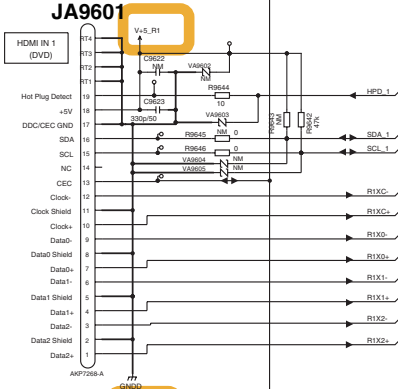
1 2 3 4



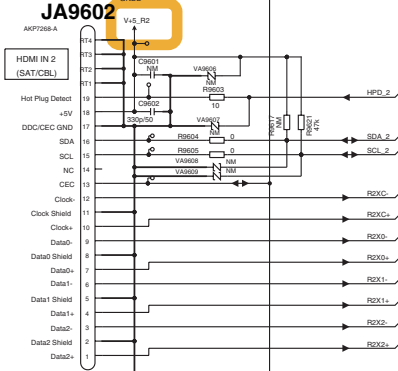


# 10.9 DIGITAL MAIN\_L ASSY (3/11)

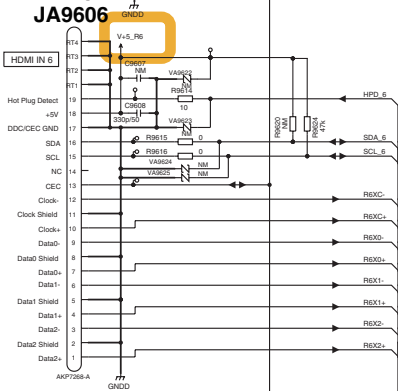
A



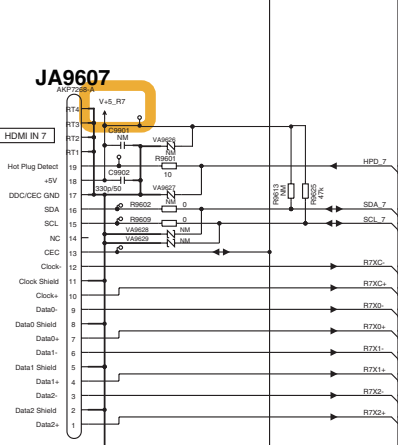
B



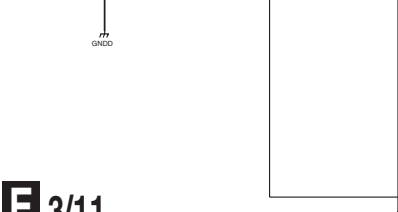
C



D



E



F







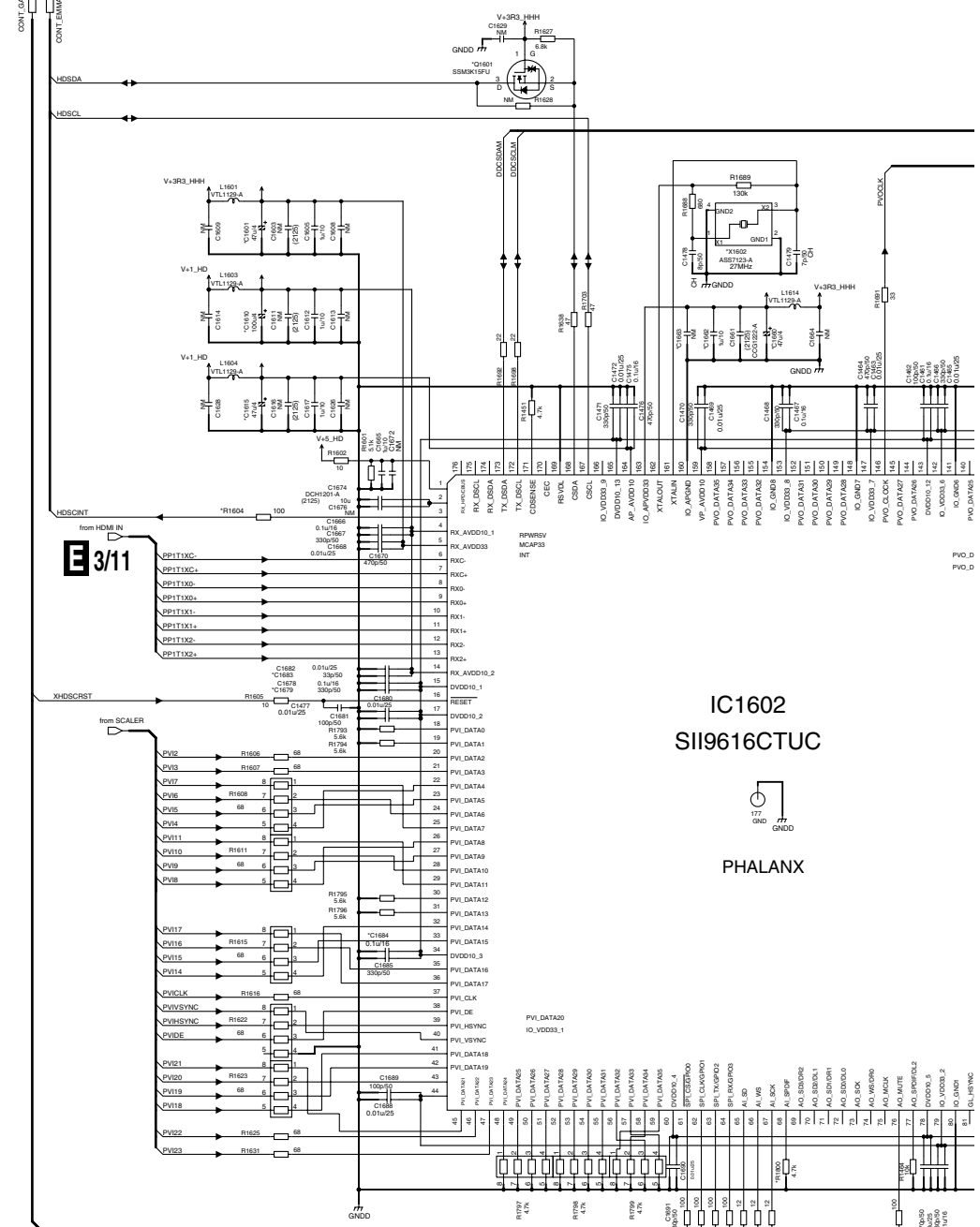


# 10.11 DIGITAL MAIN\_L ASSY (5/11)

1 2 3 4

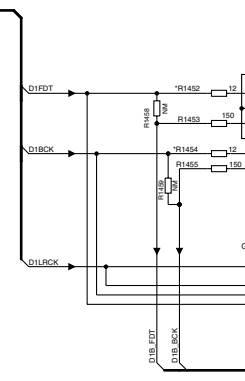
**E** 2/11 - 4/11, 6/11 - 10/11  
**E** 1/11 - 4/11, 7/11, 8/11

A  
B  
C  
D  
E  
F



**IC1602**  
**SII9616CTUC**  
  
**PHALANX**

**E** 7/11, 8/11



**E** 3/11

The  $\Delta$  mark found on some component parts should be replaced with same parts (safety regulation authorized) of identical designation.

|       |       |
|-------|-------|
| C1480 | 100nF |
| C1481 | 100nF |
| C1482 | 100nF |
| R1450 | 10k   |
| R1451 | 10k   |
| R1452 | 10k   |
| R1453 | 10k   |
| R1454 | 10k   |
| R1455 | 10k   |
| R1456 | 10k   |
| R1457 | 10k   |
| R1458 | 10k   |
| R1459 | 10k   |
| R1460 | 10k   |
| R1461 | 10k   |
| R1462 | 10k   |
| R1463 | 10k   |
| R1464 | 10k   |
| R1465 | 10k   |
| R1466 | 10k   |
| R1467 | 10k   |
| R1468 | 10k   |
| R1469 | 10k   |
| R1470 | 10k   |
| R1471 | 10k   |
| R1472 | 10k   |
| R1473 | 10k   |
| R1474 | 10k   |
| R1475 | 10k   |
| R1476 | 10k   |
| R1477 | 10k   |
| R1478 | 10k   |
| R1479 | 10k   |
| R1480 | 10k   |
| R1481 | 10k   |
| R1482 | 10k   |
| R1483 | 10k   |
| R1484 | 10k   |
| R1485 | 10k   |
| R1486 | 10k   |
| R1487 | 10k   |
| R1488 | 10k   |
| R1489 | 10k   |
| R1490 | 10k   |
| R1491 | 10k   |
| R1492 | 10k   |
| R1493 | 10k   |
| R1494 | 10k   |
| R1495 | 10k   |
| R1496 | 10k   |
| R1497 | 10k   |
| R1498 | 10k   |
| R1499 | 10k   |
| R1500 | 10k   |
| R1501 | 10k   |
| R1502 | 10k   |
| R1503 | 10k   |
| R1504 | 10k   |
| R1505 | 10k   |
| R1506 | 10k   |
| R1507 | 10k   |
| R1508 | 10k   |
| R1509 | 10k   |
| R1510 | 10k   |
| R1511 | 10k   |
| R1512 | 10k   |
| R1513 | 10k   |
| R1514 | 10k   |
| R1515 | 10k   |
| R1516 | 10k   |
| R1517 | 10k   |
| R1518 | 10k   |
| R1519 | 10k   |
| R1520 | 10k   |
| R1521 | 10k   |
| R1522 | 10k   |
| R1523 | 10k   |
| R1524 | 10k   |
| R1525 | 10k   |
| R1526 | 10k   |
| R1527 | 10k   |
| R1528 | 10k   |
| R1529 | 10k   |
| R1530 | 10k   |
| R1531 | 10k   |
| R1532 | 10k   |
| R1533 | 10k   |
| R1534 | 10k   |
| R1535 | 10k   |
| R1536 | 10k   |
| R1537 | 10k   |
| R1538 | 10k   |
| R1539 | 10k   |
| R1540 | 10k   |
| R1541 | 10k   |
| R1542 | 10k   |
| R1543 | 10k   |
| R1544 | 10k   |
| R1545 | 10k   |
| R1546 | 10k   |
| R1547 | 10k   |
| R1548 | 10k   |
| R1549 | 10k   |
| R1550 | 10k   |
| R1551 | 10k   |
| R1552 | 10k   |
| R1553 | 10k   |
| R1554 | 10k   |
| R1555 | 10k   |
| R1556 | 10k   |
| R1557 | 10k   |
| R1558 | 10k   |
| R1559 | 10k   |
| R1560 | 10k   |
| R1561 | 10k   |
| R1562 | 10k   |
| R1563 | 10k   |
| R1564 | 10k   |
| R1565 | 10k   |
| R1566 | 10k   |
| R1567 | 10k   |
| R1568 | 10k   |
| R1569 | 10k   |
| R1570 | 10k   |
| R1571 | 10k   |
| R1572 | 10k   |
| R1573 | 10k   |
| R1574 | 10k   |
| R1575 | 10k   |
| R1576 | 10k   |
| R1577 | 10k   |
| R1578 | 10k   |
| R1579 | 10k   |
| R1580 | 10k   |
| R1581 | 10k   |
| R1582 | 10k   |
| R1583 | 10k   |
| R1584 | 10k   |
| R1585 | 10k   |
| R1586 | 10k   |
| R1587 | 10k   |
| R1588 | 10k   |
| R1589 | 10k   |
| R1590 | 10k   |
| R1591 | 10k   |
| R1592 | 10k   |
| R1593 | 10k   |
| R1594 | 10k   |
| R1595 | 10k   |
| R1596 | 10k   |
| R1597 | 10k   |
| R1598 | 10k   |
| R1599 | 10k   |
| R1600 | 10k   |
| R1601 | 10k   |
| R1602 | 10k   |
| R1603 | 10k   |
| R1604 | 10k   |
| R1605 | 10k   |
| R1606 | 10k   |
| R1607 | 10k   |
| R1608 | 10k   |
| R1609 | 10k   |
| R1610 | 10k   |
| R1611 | 10k   |
| R1612 | 10k   |
| R1613 | 10k   |
| R1614 | 10k   |
| R1615 | 10k   |
| R1616 | 10k   |
| R1617 | 10k   |
| R1618 | 10k   |
| R1619 | 10k   |
| R1620 | 10k   |
| R1621 | 10k   |
| R1622 | 10k   |
| R1623 | 10k   |
| R1624 | 10k   |
| R1625 | 10k   |
| R1626 | 10k   |
| R1627 | 10k   |
| R1628 | 10k   |
| R1629 | 10k   |
| R1630 | 10k   |
| R1631 | 10k   |
| R1632 | 10k   |
| R1633 | 10k   |
| R1634 | 10k   |
| R1635 | 10k   |
| R1636 | 10k   |
| R1637 | 10k   |
| R1638 | 10k   |
| R1639 | 10k   |
| R1640 | 10k   |
| R1641 | 10k   |
| R1642 | 10k   |
| R1643 | 10k   |
| R1644 | 10k   |
| R1645 | 10k   |
| R1646 | 10k   |
| R1647 | 10k   |
| R1648 | 10k   |
| R1649 | 10k   |
| R1650 | 10k   |
| R1651 | 10k   |
| R1652 | 10k   |
| R1653 | 10k   |
| R1654 | 10k   |
| R1655 | 10k   |
| R1656 | 10k   |
| R1657 | 10k   |
| R1658 | 10k   |
| R1659 | 10k   |
| R1660 | 10k   |
| R1661 | 10k   |
| R1662 | 10k   |
| R1663 | 10k   |
| R1664 | 10k   |
| R1665 | 10k   |
| R1666 | 10k   |
| R1667 | 10k   |
| R1668 | 10k   |
| R1669 | 10k   |
| R1670 | 10k   |
| R1671 | 10k   |
| R1672 | 10k   |
| R1673 | 10k   |
| R1674 | 10k   |
| R1675 | 10k   |
| R1676 | 10k   |
| R1677 | 10k   |
| R1678 | 10k   |
| R1679 | 10k   |
| R1680 | 10k   |
| R1681 | 10k   |
| R1682 | 10k   |
| R1683 | 10k   |
| R1684 | 10k   |
| R1685 | 10k   |
| R1686 | 10k   |
| R1687 | 10k   |
| R1688 | 10k   |
| R1689 | 10k   |
| R1690 | 10k   |
| R1691 | 10k   |
| R1692 | 10k   |
| R1693 | 10k   |
| R1694 | 10k   |
| R1695 | 10k   |
| R1696 | 10k   |
| R1697 | 10k   |
| R1698 | 10k   |
| R1699 | 10k   |
| R1700 | 10k   |
| R1701 | 10k   |
| R1702 | 10k   |
| R1703 | 10k   |
| R1704 | 10k   |
| R1705 | 10k   |
| R1706 | 10k   |
| R1707 | 10k   |
| R1708 | 10k   |
| R1709 | 10k   |
| R1710 | 10k   |
| R1711 | 10k   |
| R1712 | 10k   |
| R1713 | 10k   |
| R1714 | 10k   |
| R1715 | 10k   |
| R1716 | 10k   |
| R1717 | 10k   |
| R1718 | 10k   |
| R1719 | 10k   |
| R1720 | 10k   |
| R1721 | 10k   |
| R1722 | 10k   |
| R1723 | 10k   |
| R1724 | 10k   |
| R1725 | 10k   |
| R1726 | 10k   |
| R1727 | 10k   |
| R1728 | 10k   |
| R1729 | 10k   |
| R1730 | 10k   |
| R1731 | 10k   |
| R1732 | 10k   |
| R1733 | 10k   |
| R1734 | 10k   |
| R1735 | 10k   |
| R1736 | 10k   |
| R1737 | 10k   |
| R1738 | 10k   |
| R1739 | 10k   |
| R1740 | 10k   |
| R1741 | 10k   |
| R1742 | 10k   |
| R1743 | 10k   |
| R1744 | 10k   |
| R1745 | 10k   |
| R1746 | 10k   |
| R1747 | 10k   |
| R1748 | 10k   |
| R1749 | 10k   |
| R1750 | 10k   |
| R1751 | 10k   |
| R1752 | 10k   |
| R1753 | 10k   |
| R1754 | 10k   |
| R1755 | 10k   |
| R1756 | 10k   |
| R1757 | 10k   |
| R1758 | 10k   |
| R1759 | 10k   |
| R1760 | 10k   |
| R1761 | 10k   |
| R1762 | 10k   |
| R1763 | 10k   |
| R1764 | 10k   |
| R1765 | 10k   |
| R1766 | 10k   |
| R1767 | 10k   |
| R1768 | 10k   |
| R1769 | 10k   |
| R1770 | 10k   |
| R1771 | 10k   |
| R1772 | 10k   |
| R1773 | 10k   |
| R1774 | 10k   |
| R1775 | 10k   |
| R1776 | 10k   |
| R1777 | 10k   |
| R1778 | 10k   |
| R1779 | 10k   |
| R1780 | 10k   |
| R1781 | 10k   |
| R1782 | 10k   |
| R1783 | 10k   |
| R1784 | 10k   |
| R1785 | 10k   |
| R1786 | 10k   |
| R1787 | 10k   |
| R1788 | 10k   |
| R1789 | 10k   |
| R1790 | 10k   |
| R1791 | 10k   |
| R1792 | 10k   |
| R1793 | 10k   |
| R1794 | 10k   |
| R1795 | 10k   |
| R1796 | 10k   |
| R1797 | 10k   |
| R1798 | 10k   |
| R1799 | 10k   |
| R1800 | 10k   |
| R1801 | 10k   |
| R1802 | 10k   |
| R1803 | 10k   |
| R1804 | 10k   |
| R1805 | 10k   |
| R1806 | 10k   |
| R1807 | 10k   |
| R1808 | 10k   |
| R1809 | 10k   |
| R1810 | 10k   |
| R1811 | 10k   |
| R1812 | 10k   |
| R1813 | 10k   |
| R1814 | 10k   |
| R1815 | 10k   |
| R1816 | 10k   |
| R1817 | 10k   |
| R1818 | 10k   |
| R1819 | 10k   |
| R1820 | 10k   |
| R1821 | 10k   |
| R1822 | 10k   |
| R1823 | 10k   |
| R1824 | 10k   |
| R1825 | 10k   |
| R1826 | 10k   |
| R1827 | 10k   |
| R1828 | 10k   |
| R1829 | 10k   |
| R1830 | 10k   |
| R1831 | 10k   |
| R1832 | 10k   |
| R1833 | 10k   |
| R1834 | 10k   |
| R1835 | 10k   |
| R1836 | 10k   |
| R1837 | 10k   |
| R1838 | 10k   |
| R1839 | 10k   |
| R1840 | 10k   |
| R1841 | 10k   |
| R1842 | 10k   |
| R1843 | 10k   |
| R1844 | 10k   |
| R1845 | 10k   |
| R1846 | 10k   |
| R1847 | 10k   |
| R1848 | 10k   |
| R1849 | 10k   |
| R1850 | 10k   |
| R1851 | 10k   |
| R1852 | 10k   |
| R1853 | 10k   |
| R1854 | 10k   |
| R1855 | 10k   |
| R1856 | 10k   |
| R1857 | 10k   |
| R1858 | 10k   |
| R1859 | 10k   |
| R1860 | 10k   |
| R1861 | 10k   |
| R1862 | 10k   |
| R1863 | 10k   |
| R1864 | 10k   |
| R1865 | 10k   |
| R1866 | 10k   |
| R1867 | 10k   |
| R1868 | 10k   |
| R1869 | 10k   |
| R1870 | 10k   |
| R1871 | 10k   |
| R1872 | 10k   |
| R1873 | 10k   |
| R1874 | 10k   |
| R1875 | 10k   |
| R1876 | 10k   |
| R1877 | 10k   |
| R1878 | 10k   |
| R1879 | 10k   |
| R1880 | 10k   |
| R1881 | 10k   |
| R1882 | 10k   |
| R1883 | 10k   |
| R1884 | 10k   |
| R1885 | 10k   |
| R1886 | 10k   |
| R1887 | 10k   |
| R1888 | 10k   |
| R1889 | 10k   |
| R1890 | 10k   |
| R1891 | 10k   |
| R1892 | 10k   |
| R1893 | 10k   |
| R1894 | 10k   |
| R1895 | 10k   |
| R1896 | 10k   |
| R1897 | 10k   |
| R1898 | 10k   |
| R1899 | 10k   |
| R1900 | 10k   |
| R1901 | 10k   |
| R1902 | 10k   |
| R1903 | 10k   |
| R1904 | 10k   |
| R1905 | 10k   |
| R1906 | 10k   |
| R1907 | 10k   |
| R1908 | 10k   |
| R1909 | 10k   |
| R1910 | 10k   |
| R1911 | 10k   |
| R1912 | 10k   |
| R1913 | 10k   |
| R1914 | 10k   |
| R1915 | 10k   |
| R1916 | 10k   |
| R1917 | 10k   |
| R1918 | 10k   |
| R1919 | 10k   |
| R1920 | 10k   |
| R1921 | 10k   |
| R1922 | 10k   |
| R1923 | 10k   |
| R1924 | 10k   |
| R1925 | 10k   |
| R1926 | 10k   |
| R1927 | 10k   |
| R1928 | 10k   |
| R1929 | 10k   |
| R1930 | 10k   |
| R1931 | 10k   |
| R1932 | 10k   |
| R1933 | 10k   |
| R1934 | 10k   |
| R1935 | 10k   |
| R1936 | 10k   |
| R1937 | 10k   |
| R1938 | 10k   |
| R1939 | 10k   |
| R1940 | 10k   |
| R1941 | 10k   |
| R1942 | 10k   |
| R1943 | 10k   |
| R1944 | 10k   |
| R1945 | 10k   |





# 10.12 DIGITAL MAIN\_L ASSY (6/11)

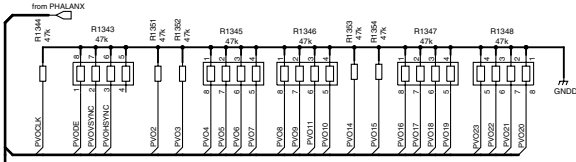
1

2

3

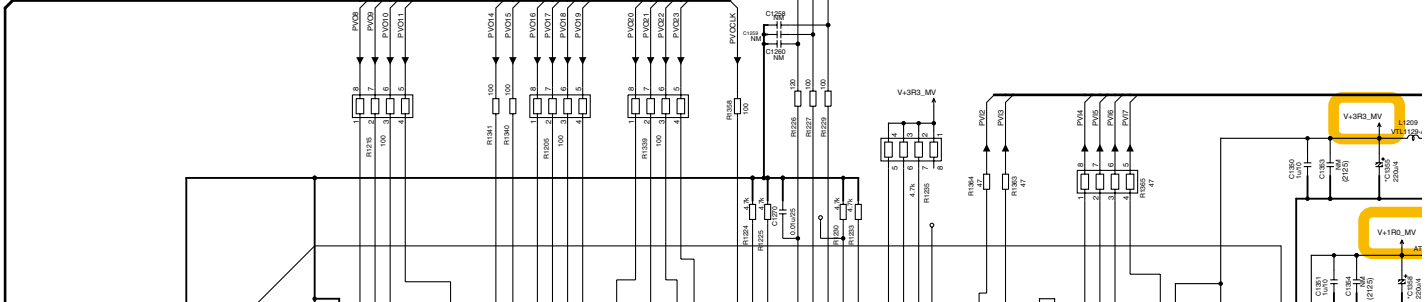
4

A

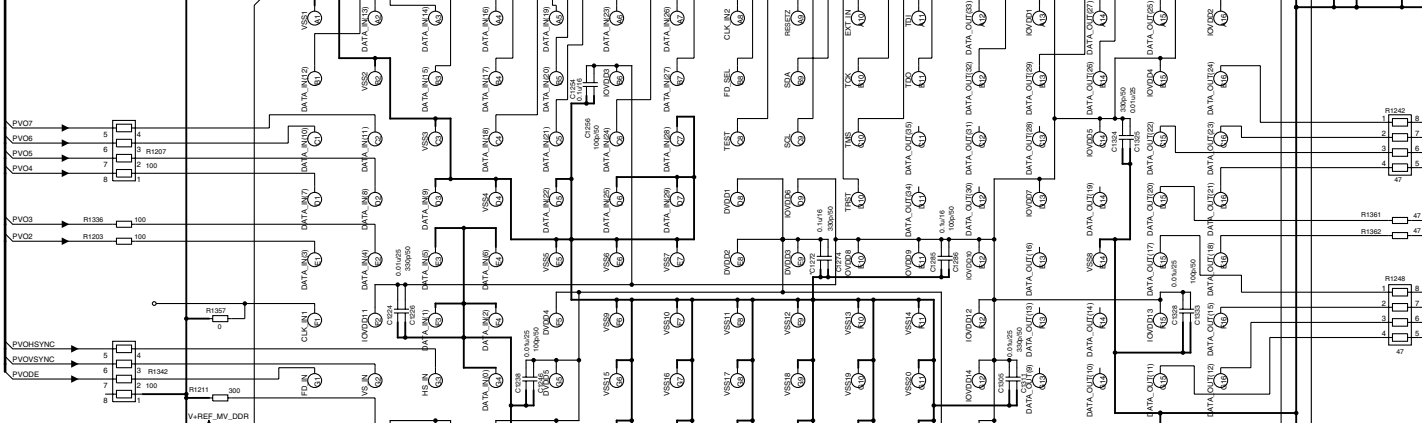


E 2/11 - 5/11, 7/11 - 10/11

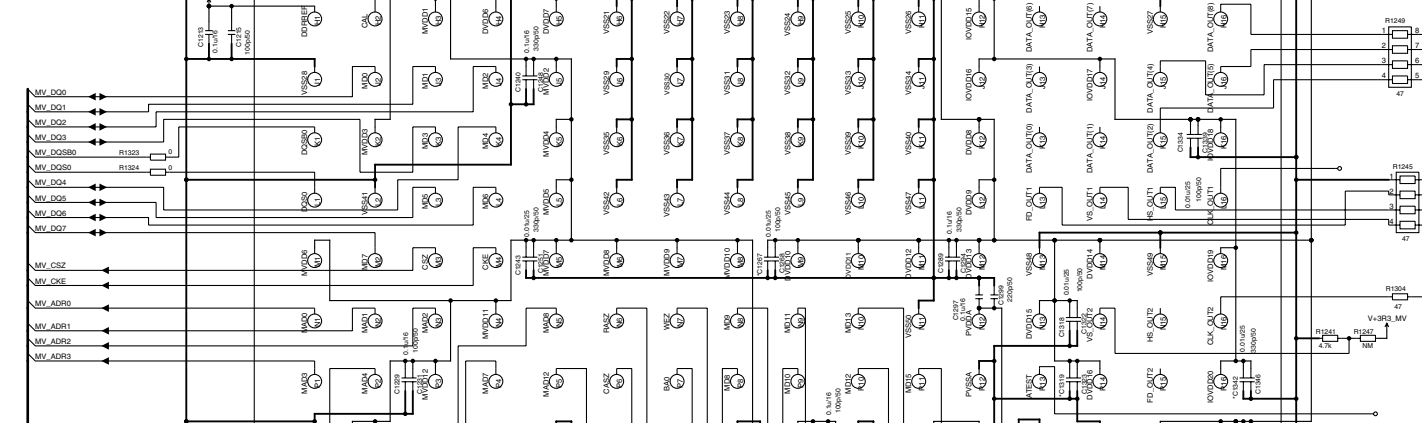
B



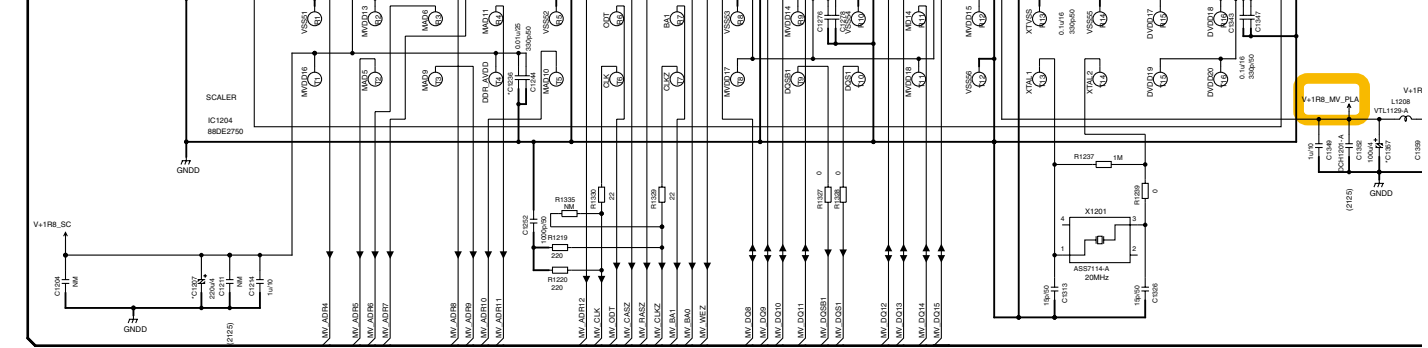
C



D



E



F



E 6/11

1

2

3

4





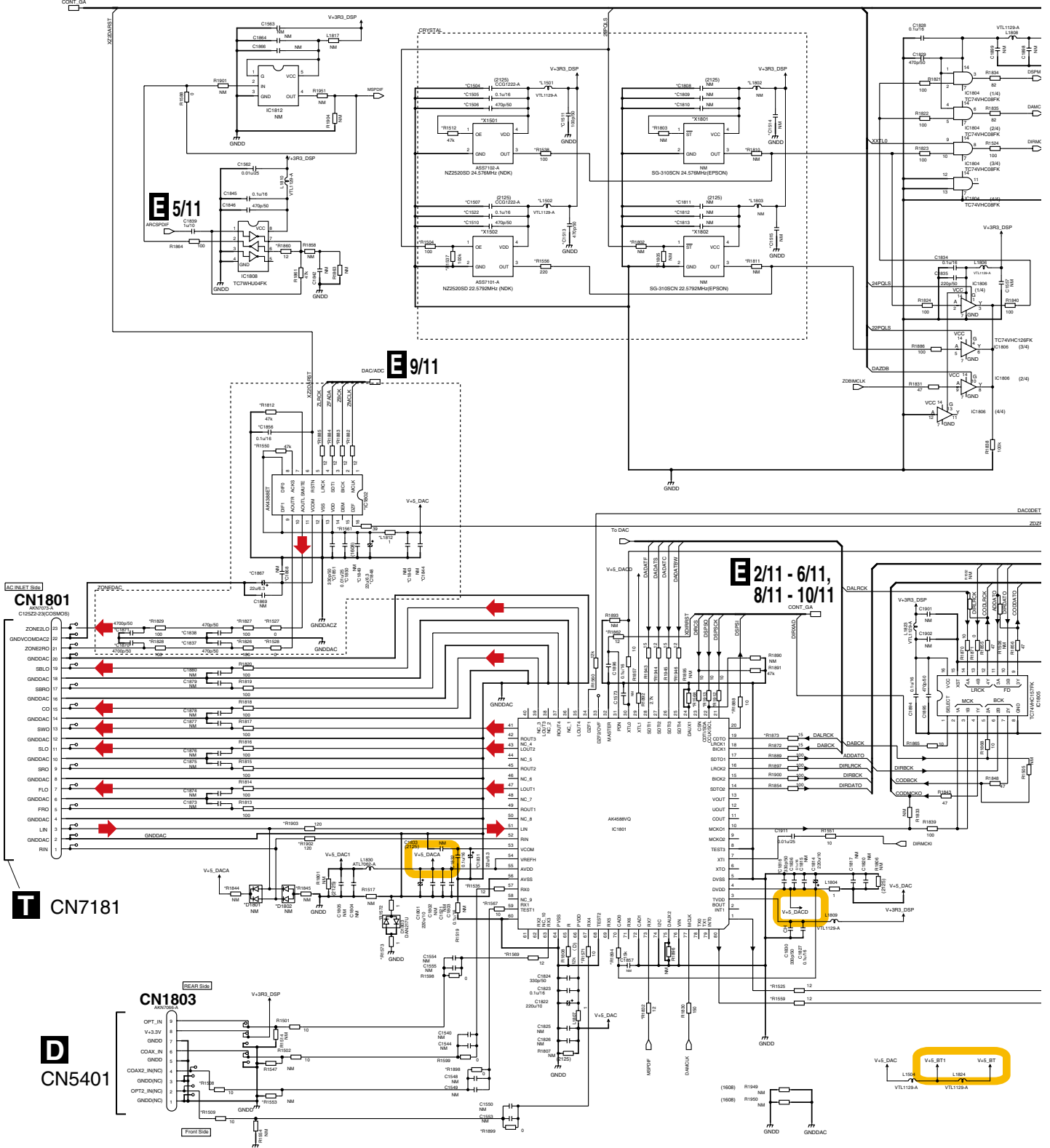
# 10.13 DIGITAL MAIN\_L ASSY (7/11)

1 2 3 4

A  
B  
C  
D  
E  
F

**E** 2/11 - 6/11, 8/11 - 10/11

MASTER CLOCK BUFFER



**E** 7/11

SC-71

1 2 3 4



# 10.14 DIGITAL MAIN\_L ASSY (8/11)

1

2

3

4

A

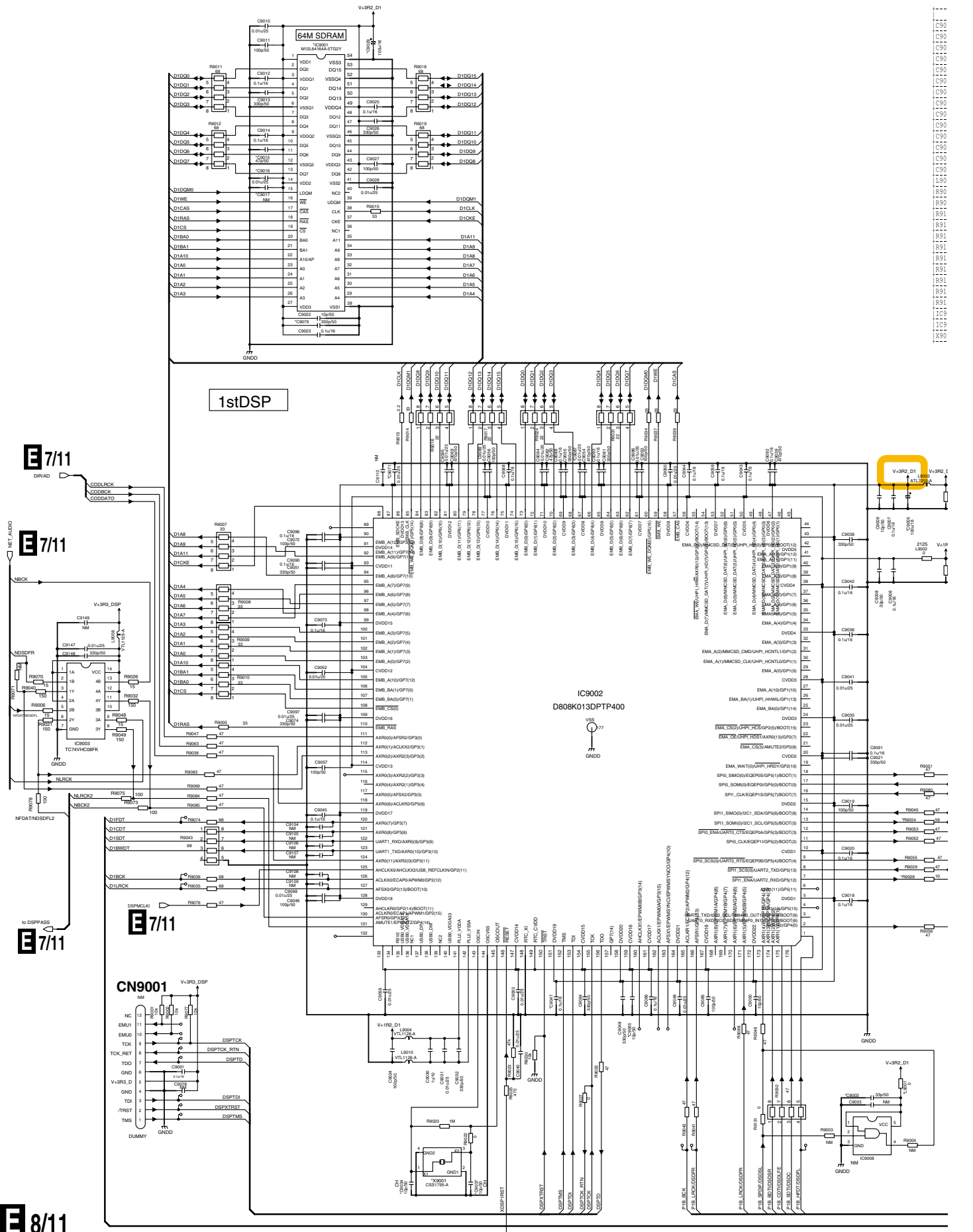
B

C

D

E

F



8/11

SC-71

1

2

3

4



# 10.15 DIGITAL MAIN\_L ASSY (9/11)

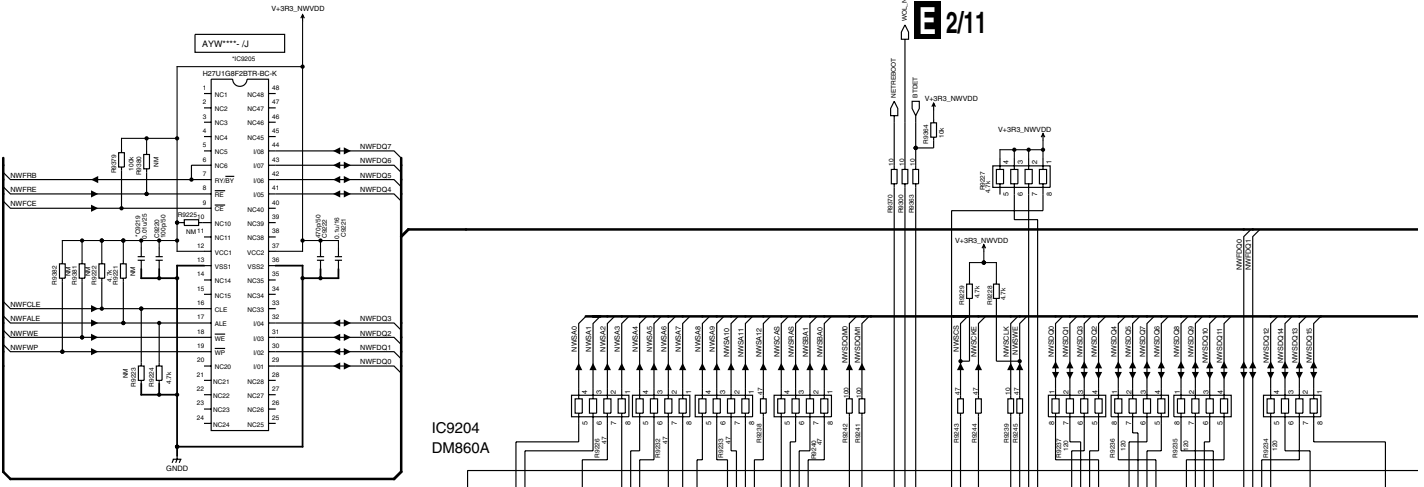
1

2

3

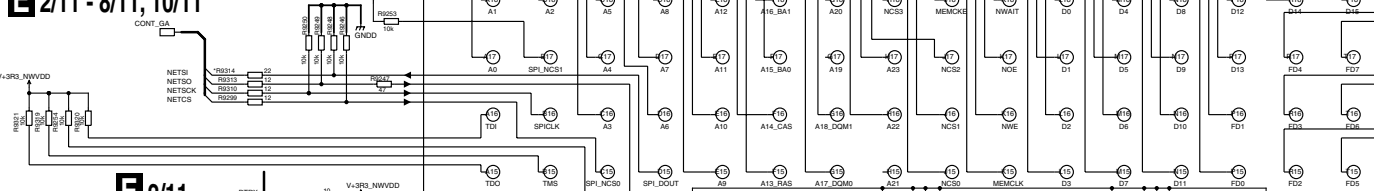
4

A

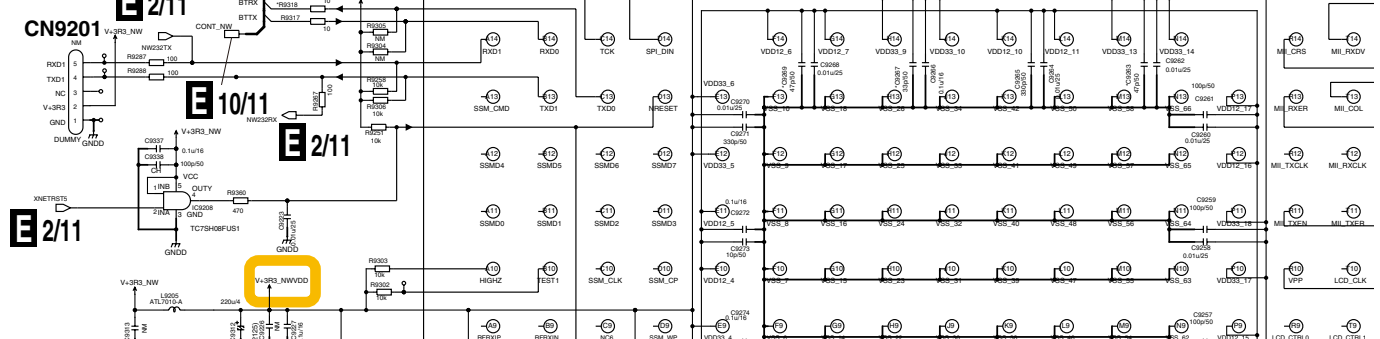


B

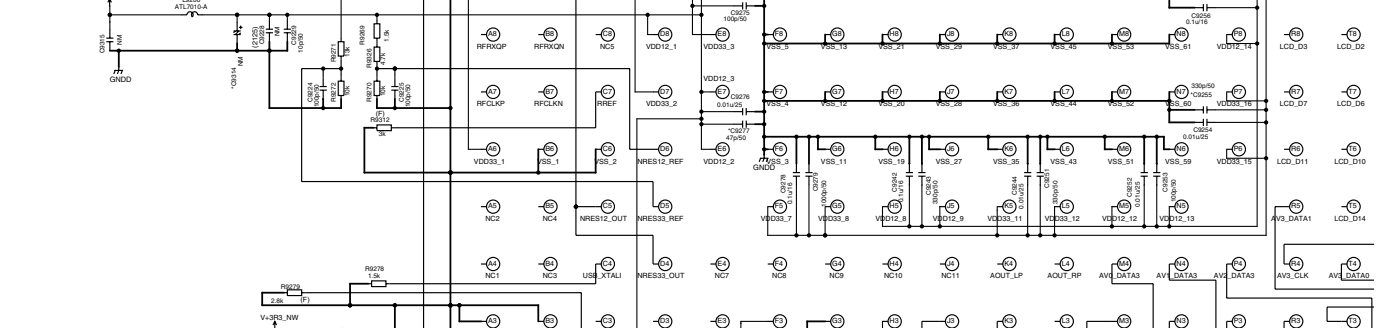
E 2/11 - 8/11, 10/11



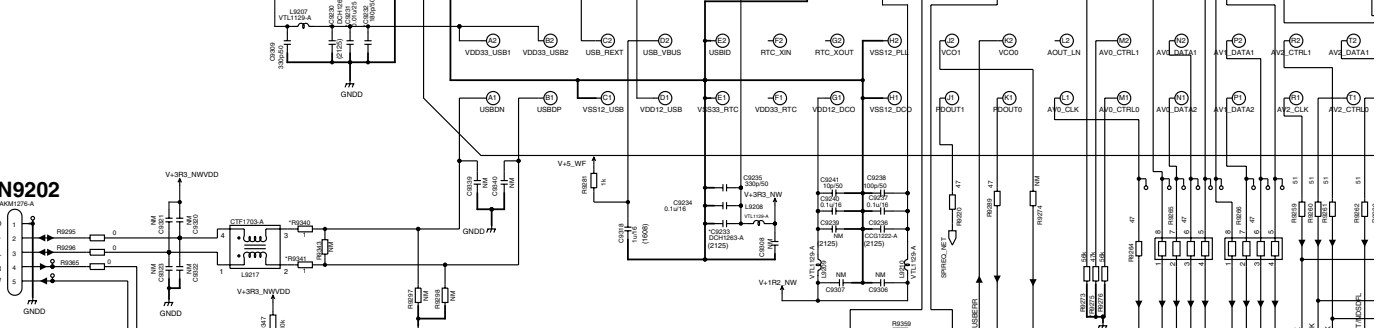
C



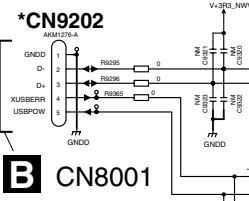
D



E



F



E 9/11

E 4/11

1

2

3

4



# 10.16 DIGITAL MAIN\_L ASSY (10/11)

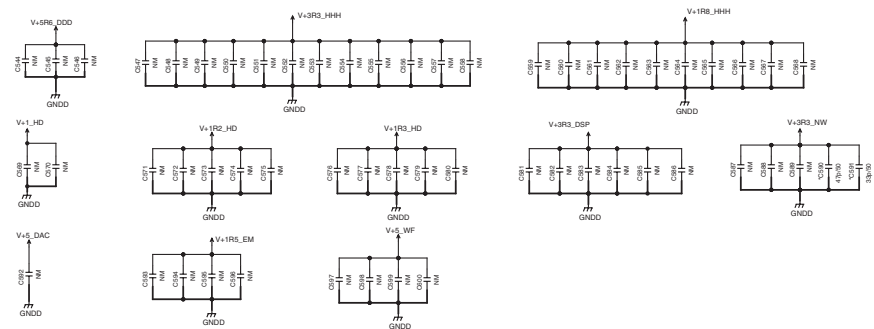
1

2

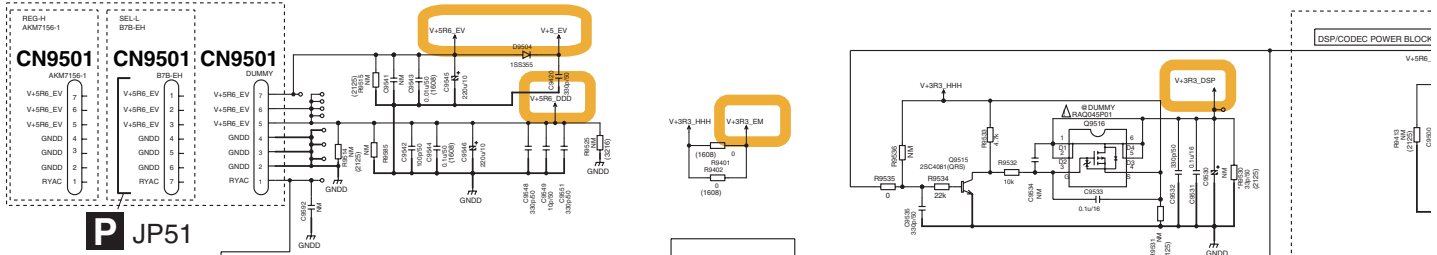
3

4

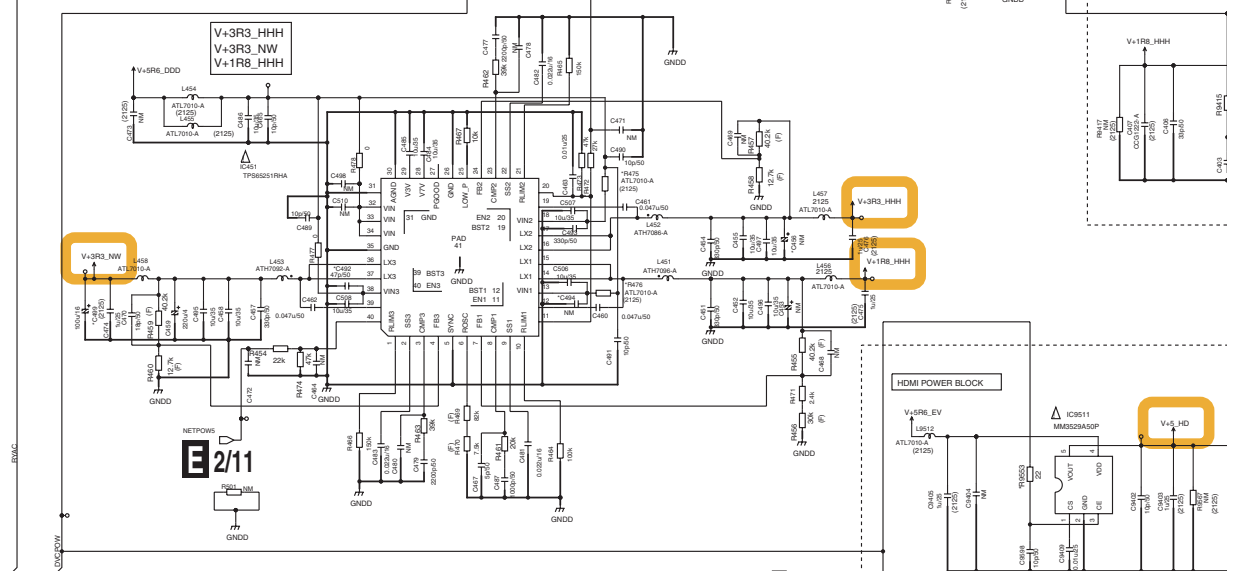
A



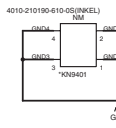
B



C



D



E 2/11, 4/11, 7/11, 9/11

E

|        | AWK1354 (SEL-LH, CU) | AWK1650 (SEL-LH, SV) | AWK1661 (SEL-LH, JP) | AWK1353 (SEL-LH, CU) | AWK1649 (SEL-LH, SV) |
|--------|----------------------|----------------------|----------------------|----------------------|----------------------|
| C408   | VCH1234-A            | VCH1234-A            | VCH1234-A            | VCH1234-A            | VCH1234-A            |
| C428   | 100u/4               | 100u/4               | 100u/4               | 100u/4               | 100u/4               |
| C456   | 220u/4               | 220u/4               | 220u/4               | 220u/4               | 220u/4               |
| C492   | NM                   | 47p/50               | 47p/50               | NM                   | NM                   |
| C494   | 330p/50              | NM                   | NM                   | 330p/50              | 330p/50              |
| C499   | 100u/16              | 100u/16              | 100u/16              | 100u/16              | 100u/16              |
| C590   | NM                   | 47p/50               | 47p/50               | NM                   | 330p/50              |
| C591   | NM                   | 33p/50               | 33p/50               | NM                   | NM                   |
| C9407  | NM                   | 33p/50               | 33p/50               | NM                   | NM                   |
| C9436  | 220u/4               | 220u/4               | 220u/4               | 220u/4               | 220u/4               |
| C9475  | 220u/4               | 220u/4               | 220u/4               | 220u/4               | 220u/4               |
| C9485  | 10p/50               | 10p/50               | 33p/50               | 10p/50               | 10p/50               |
| C9489  | 100u/16              | 100u/16              | 100u/16              | 100u/16              | 100u/16              |
| C9490  | 0.1u/16              | 0.1u/16              | NM                   | 0.1u/16              | 0.1u/16              |
| C9508  | 220u/4               | 220u/4               | 220u/4               | 220u/4               | 220u/4               |
| C9559  | 100u/16              | 100u/16              | 100u/16              | 100u/16              | 100u/16              |
| C9574  | 100u/16              | 100u/16              | 100u/16              | 100u/16              | 100u/16              |
| R472   | 27K                  | 27K                  | 27K                  | 27K                  | 27K                  |
| R475   | 0                    | ATL7010-A            | ATL7010-A            | 0                    | 0                    |
| R476   | 0                    | ATL7010-A            | ATL7010-A            | 0                    | 0                    |
| R9422  | 22                   | 22                   | 22                   | 22                   | 22                   |
| R9433  | 120                  | 120                  | 120                  | 120                  | 120                  |
| R9530  | NM                   | 33p/50               | 33p/50               | NM                   | NM                   |
| R9553  | 22                   | 22                   | 22                   | 22                   | 22                   |
| R9555  | 12                   | 12                   | 12                   | 12                   | 12                   |
| JR9501 | AEF7008-A            | AEF7008-A            | AEF7008-A            | AEF7008-A            | AEF7008-A            |
| JR9503 | AEF7008-A            | AEF7008-A            | AEF7008-A            | AEF7008-A            | AEF7008-A            |
| R94401 | NM                   | NM                   | NM                   | VNE1948-A            | VNE1948-A            |

F

E 10/11

SC-71

1

2

3

4

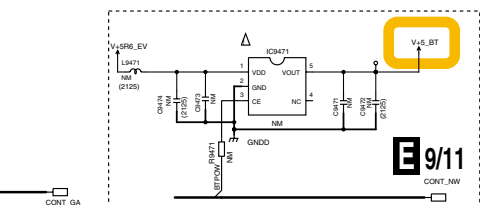
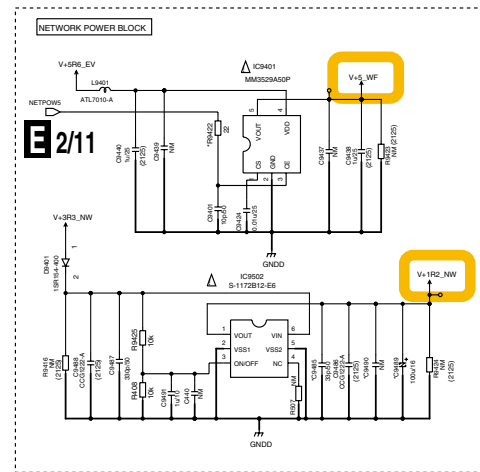
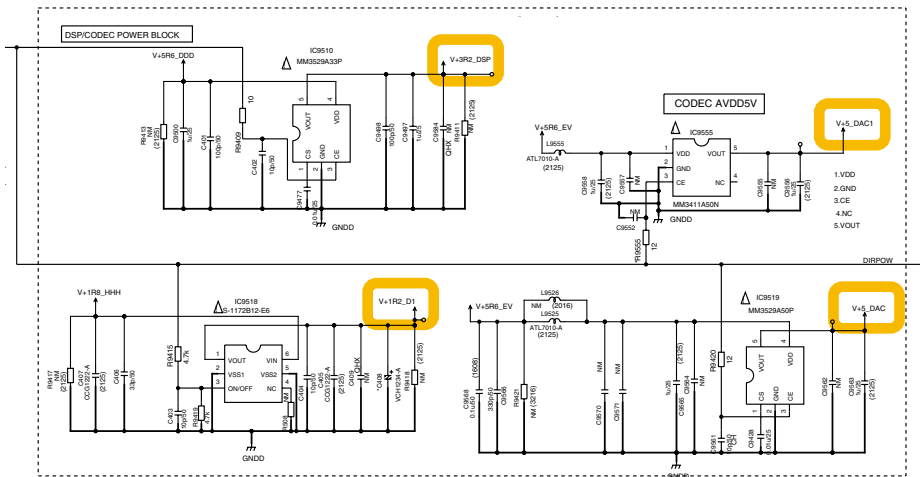


# E10/11 DIGITAL MAIN\_L ASSY (10/11) (AWX1353)

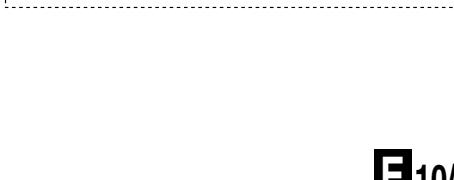
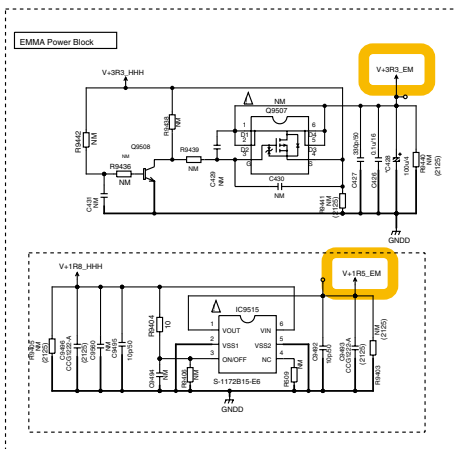
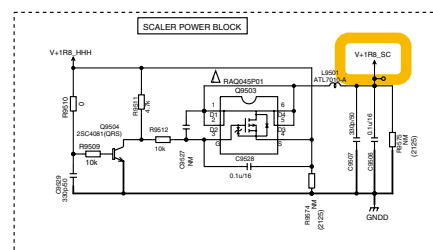
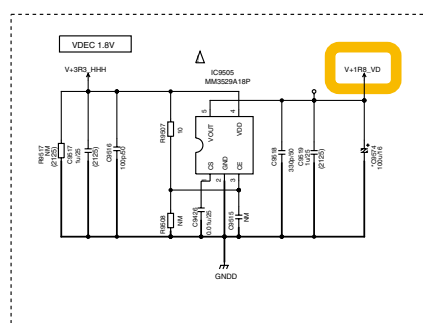
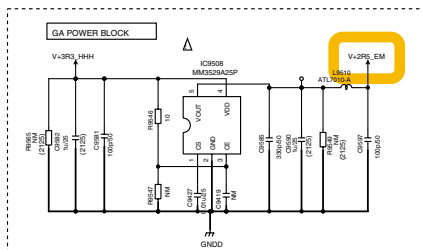
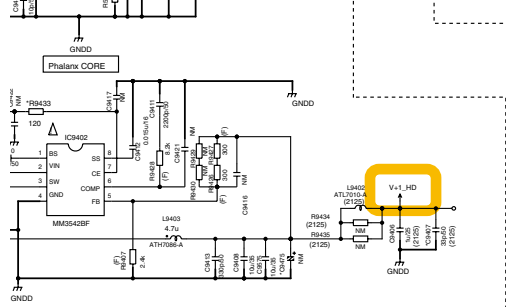
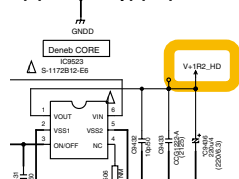
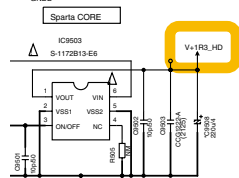
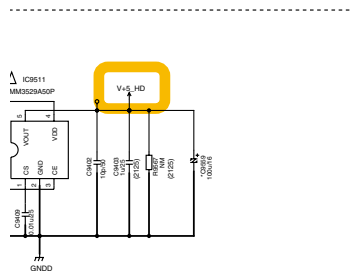
A  
B  
C  
D  
E  
F

All 1u/10 is DCH1246-A.  
CG1122.A is 4.7u/25.

The  $\Delta$  mark found on some component parts should be replaced with same parts (safety regulation authorized) of identical designation.



E 2/11 - 9/11





# E11/11 DIGITAL MAIN\_L ASSY (11/11) (AWX1353)

A

Sheet No.9

|        | AWX1354 (SEL-LH_CO) | AWX1650 (SEL-LH_SY) | AWX1661 (SEL-LH_SF) | AWX1353 (SEL-LI_CO) | AWX1649 (SEL-LI_SY) |
|--------|---------------------|---------------------|---------------------|---------------------|---------------------|
| C9203  | 0.1u/16             | 0.1u/16             | 0.01u/25            | 0.1u/16             | 0.1u/16             |
| C9215  | 330p/50             | 330p/50             | 330p/50             | 330p/50             | 330p/50             |
| C9216  | 0.01u/25            | 0.01u/25            | 0.01u/25            | 0.01u/25            | 0.01u/25            |
| C9221  | 220u/4              | 220u/4              | 220u/4              | 220u/4              | 220u/4              |
| C9223  | 0.01u/25            | 0.01u/25            | 0.01u/25            | 0.01u/25            | 0.01u/25            |
| C9230  | DCR1263-A           | DCR1263-A           | DCR1263-A           | DCR1263-A           | DCR1263-A           |
| C9231  | 0.01u/25            | 0.01u/25            | 0.01u/25            | 0.01u/25            | 0.01u/25            |
| C9232  | 330p/50             | 330p/50             | 330p/50             | 330p/50             | 330p/50             |
| C9233  | DCR1263-A           | DCR1263-A           | DCR1263-A           | DCR1263-A           | DCR1263-A           |
| C9245  | 12p/50              | 12p/50              | 12p/50              | 12p/50              | 12p/50              |
| C9246  | 12p/50              | 12p/50              | 12p/50              | 12p/50              | 12p/50              |
| C9250  | 100u/16             | 100u/16             | 100u/16             | 100u/16             | 100u/16             |
| C9255  | 330p/50             | 330p/50             | 330p/50             | 330p/50             | 330p/50             |
| C9263  | 330p/50             | 47p/50              | 47p/50              | 330p/50             | 330p/50             |
| C9267  | 330p/50             | 330p/50             | 33p/50              | 330p/50             | 330p/50             |
| C9269  | 47p/50              | 47p/50              | 47p/50              | 47p/50              | 47p/50              |
| C9277  | 100p/50             | 100p/50             | 47p/50              | 100p/50             | 100p/50             |
| C9278  | 100p/50             | 47p/50              | 100p/50             | 100p/50             | 100p/50             |
| C9279  | 47p/50              | 47p/50              | 47p/50              | 47p/50              | 47p/50              |
| C9288  | 330p/50             | 330p/50             | 330p/50             | 470p/50             | 470p/50             |
| C9293  | 100p/50             | 47p/50              | 33p/50              | 100p/50             | 100p/50             |
| C9296  | 10p/50              | 10p/50              | 10p/50              | 10p/50              | 10p/50              |
| C9297  | 330p/50             | 100p/50             | 100p/50             | 330p/50             | 330p/50             |
| C9298  | 47u/4               | 47u/4               | 47u/4               | 47u/4               | 47u/4               |
| C9300  | 47u/4               | 47u/4               | 47u/4               | 47u/4               | 47u/4               |
| C9301  | 100p/50             | 33p/50              | 33p/50              | 100p/50             | 100p/50             |
| C9314  | MM                  | 220u/4              | MM                  | 220u/4              | MM                  |
| C9335  | 0.1u/16             | 0.1u/16             | 0.1u/16             | 0.1u/16             | 0.1u/16             |
| C9336  | 0.01u/25            | 0.01u/25            | 0.01u/25            | 0.01u/25            | 0.01u/25            |
| C9345  | 330p/50             | 330p/50             | 330p/50             | 330p/50             | 330p/50             |
| C9366  | 0.01u/25            | 0.01u/25            | 0.01u/25            | 0.01u/25            | 0.01u/25            |
| C9367  | 220u/4              | 220u/4              | 220u/4              | 220u/4              | 220u/4              |
| R9375  | 47k                 | 56k                 | 56k                 | 47k                 | 56k                 |
| R9314  | 22                  | 22                  | 22                  | 22                  | 22                  |
| R9316  | 22                  | 22                  | 22                  | 10                  | 22                  |
| R9318  | 12                  | 12                  | 12                  | 10                  | 12                  |
| R9324  | 12                  | 12                  | 12                  | 12                  | 12                  |
| R9325  | 12                  | 12                  | 12                  | 12                  | 12                  |
| R9337  | 15                  | 15                  | 15                  | 15                  | 15                  |
| R9338  | 15                  | 15                  | 15                  | 15                  | 15                  |
| R9340  | 0                   | 0                   | 0                   | 0                   | 0                   |
| R9342  | 47k                 | 47k                 | 47k                 | 47k                 | 47k                 |
| R9345  | 22                  | 22                  | 22                  | 22                  | 22                  |
| R9354  | 56                  | 56                  | 56                  | 56                  | 56                  |
| R9355  | 56                  | 56                  | 56                  | 56                  | 56                  |
| R9356  | 56                  | 56                  | 56                  | 56                  | 56                  |
| R9357  | 56                  | 56                  | 56                  | 56                  | 56                  |
| R9373  | 15                  | 15                  | 15                  | 15                  | 15                  |
| L9220  | VTL1129-A           | VTL1129-A           | VTL1129-A           | VTL1129-A           | VTL1129-A           |
| IC9205 | H2701G8F2BTR-BC     | H2701G8F2BTR-BC     | H2701G8F2BTR-BC     | H2701G8F2BTR-BC     | H2701G8F2BTR-BC     |
| IC9206 | H33753959           | H33753959           | H33753959           | H33753959           | H33753959           |
| IC9207 | IC74VHC08FV         | IC74VHC08FV         | IC74VHC08FV         | IC74VHC08FV         | IC74VHC08FV         |
| IC9208 | AWX1711-1           | AWX1711-1           | AWX1711-1           | AWX1711-1           | AWX1711-1           |
| IC9209 | AWX1106-A           | AWX1106-A           | AWX1106-A           | AWX1106-A           | AWX1106-A           |
| IC9210 | AWX1114-1           | AWX1114-1           | AWX1114-1           | AWX1114-1           | AWX1114-1           |
| IC9201 | DS81203-A           | DS81203-A           | DS81203-A           | DS81203-A           | DS81203-A           |

B

C

D

E

F

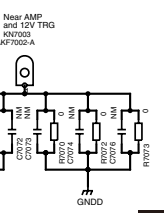
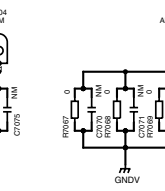
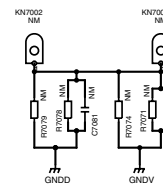
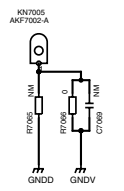
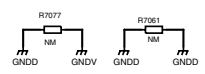
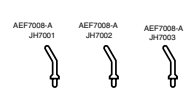
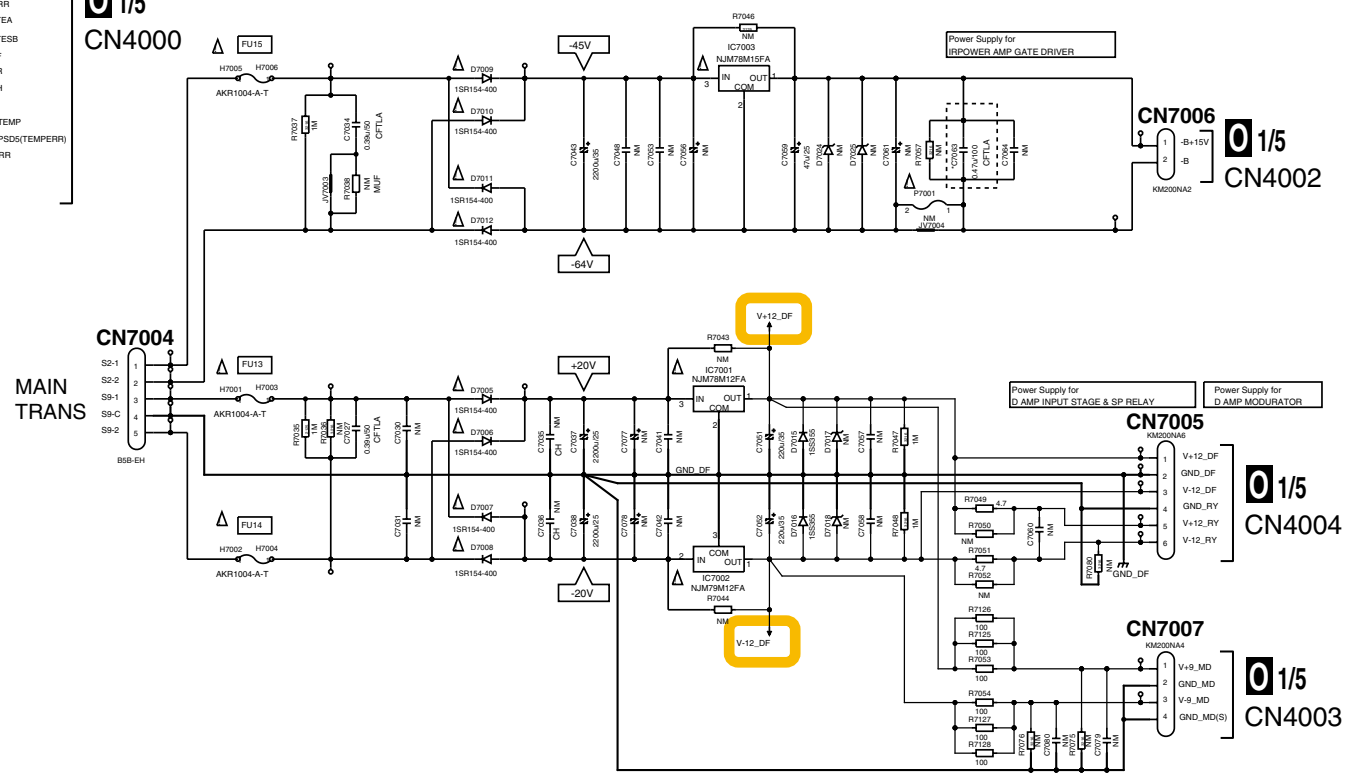


# INTERFACE\_SS ASSY (SC-71 : AWX1587) (SC-1228-K, SC-1223-K : AWX1589)

|        | awx1370 | awx1587        | awx1589 |
|--------|---------|----------------|---------|
| C7008  | NM      | 1000p/50       | NM      |
| C7010  | NM      | 0.1u/50        | NM      |
| C7013  | NM      | 1000p/50       | NM      |
| C7015  | NM      | 0.1u/50        | NM      |
| C7017  | NM      | 0.1u/50        | NM      |
| C7019  | NM      | 0.01u/50       | NM      |
| C7021  | NM      | 330p/50        | NM      |
| C7022  | NM      | 0.1u/50        | NM      |
| C7023  | NM      | 220u/16        | NM      |
| R7004  | NM      | 10k            | NM      |
| R7005  | NM      | 10k            | NM      |
| R7006  | NM      | 12             | NM      |
| R7008  | NM      | 12             | NM      |
| R7009  | NM      | 12             | NM      |
| R7010  | NM      | 4.7k           | NM      |
| R7012  | NM      | 12             | NM      |
| R7013  | NM      | 4.7k           | NM      |
| L7001  | NM      | ATL7002-A      | NM      |
| JA7001 | NM      | VXB1243-A      | NM      |
| Q7001  | NM      | DTCL24EUA      | NM      |
| Q7002  | NM      | DTCL24EUA      | NM      |
| Q7004  | NM      | 2SA1576A (QRS) | NM      |
| Q7006  | NM      | 2SA1036K (QR)  | NM      |

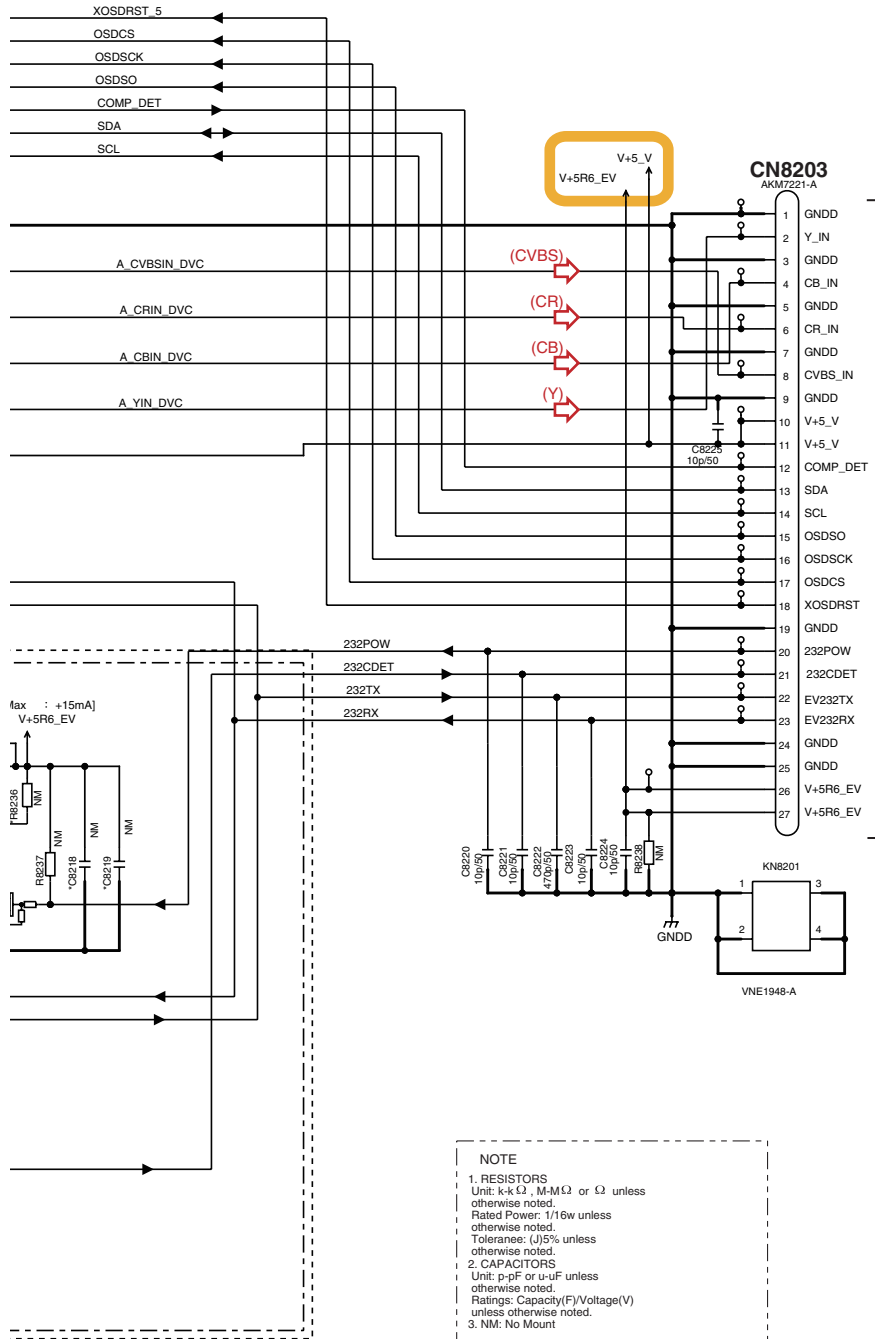
- 003  
521C
- BERR1
  - BERR2
  - BERR1
  - BERR2
  - OE
  - EXSO
  - EXSCK
  - EXDE
  - EXST
  - XOLERR
  - IRMUTEA
  - IRMUTESB
  - RY\_AF
  - RY\_CR
  - RY\_FH
  - RY\_B
  - AMP\_TEMP
  - XTEMPSDS(TEMPERR)
  - XOCERR
  - GNDD
  - GNDD

1/5  
CN4000





**G** 232C\_SS ASSY  
 (SC-71 : AWX1606)  
 (SC-1228-K, SC-1223-K : AWX1607)



|        | awx1386   | awx1606       | awx1607   |
|--------|-----------|---------------|-----------|
| C8204  | 0.01u/50  | NM            | 0.01u/50  |
| C8206  | NM        | 10p/50        | NM        |
| C8207  | NM        | 10p/50        | NM        |
| C8210  | NM        | 0.1u/50       | NM        |
| C8211  | NM        | 0.1u/50       | NM        |
| C8212  | NM        | 0.1u/50       | NM        |
| C8213  | NM        | 0.1u/50       | NM        |
| C8214  | NM        | 100p/50       | NM        |
| C8215  | NM        | 330p/50       | NM        |
| C8216  | NM        | 0.01u/50      | NM        |
| C8217  | NM        | 100u/16       | NM        |
| C8218  | NM        | 10p/50        | NM        |
| C8219  | NM        | 330p/50       | NM        |
| R8201  | NM        | 0             | NM        |
| R8202  | NM        | 0             | NM        |
| R8203  | NM        | 0             | NM        |
| R8206  | NM        | 0             | NM        |
| R8209  | 0         | NM            | 0         |
| R8210  | 0         | NM            | 0         |
| R8219  | NM        | 0             | NM        |
| R8220  | NM        | 120           | NM        |
| R8221  | NM        | 120           | NM        |
| R8222  | NM        | 220k          | NM        |
| R8223  | NM        | 470k          | NM        |
| R8224  | NM        | 10k           | NM        |
| R8227  | NM        | 220k          | NM        |
| R8228  | NM        | 120           | NM        |
| R8229  | NM        | 120           | NM        |
| R8230  | NM        | 120           | NM        |
| R8231  | NM        | 10            | NM        |
| R8232  | NM        | 10            | NM        |
| R8233  | NM        | 100k          | NM        |
| R8234  | NM        | 4.7k          | NM        |
| R8236  | NM        | 22k           | NM        |
| CN8201 | NM        | TRS232E1N     | NM        |
| CN8202 | VKN1267-A | NM            | VKN1267-A |
| D8201  | 1SS355    | NM            | 1SS355    |
| D8206  | NM        | 1SS355        | NM        |
| D8207  | NM        | 1SS355        | NM        |
| J8201  | NM        | AKP7256-A     | NM        |
| Q8201  | NM        | 2SC4081(QRS)  | NM        |
| Q8202  | NM        | 2SA1576A(QRS) | NM        |
| Q8203  | NM        | DTC114EDR     | NM        |

**E** 4/11  
 CN901

**NOTE**  
 1. RESISTORS  
 Unit: k-k Ω, M-MΩ or Ω unless otherwise noted.  
 Rated Power: 1/16w unless otherwise noted.  
 Tolerances: (J)5% unless otherwise noted.  
 2. CAPACITORS  
 Unit: p-pF or u-uF unless otherwise noted.  
 Ratings: Capacity(F)/Voltage(V) unless otherwise noted.  
 3. NM: No Mount

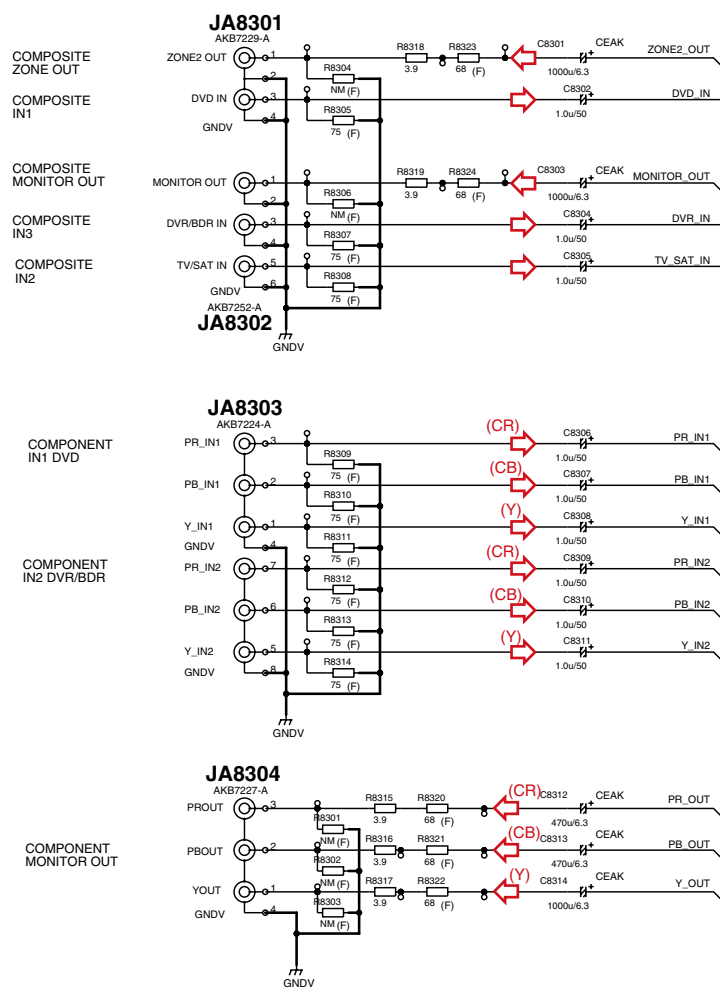
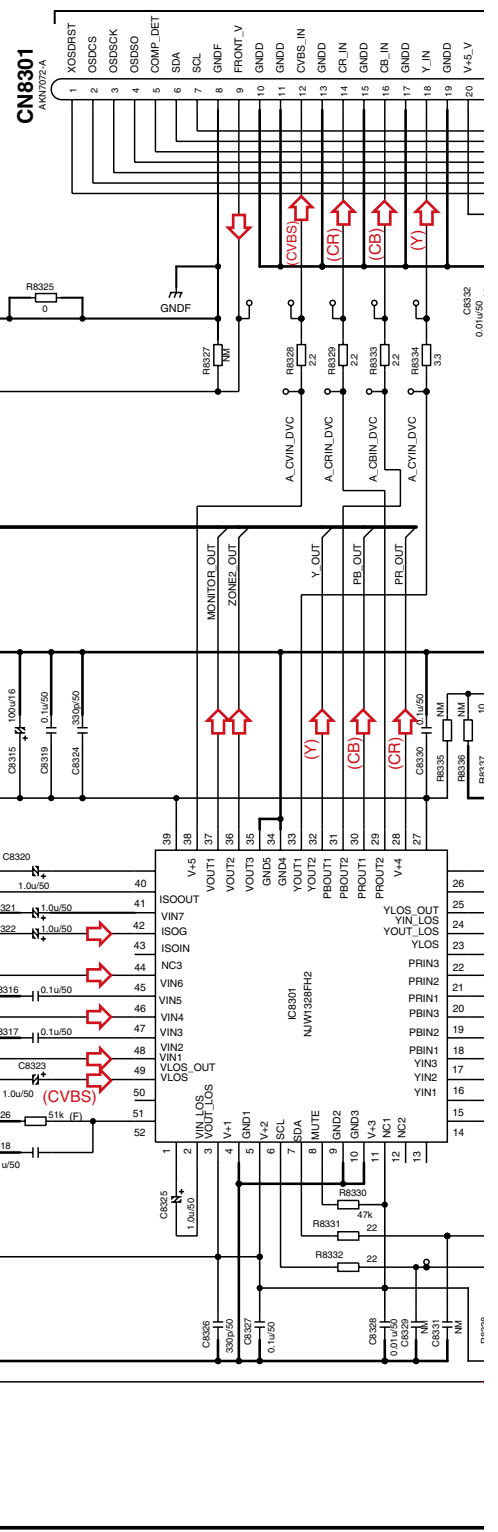
- (CVBS) : Video Signal Route
- (CB) : Video Signal Route
- (CR) : Video Signal Route
- (Y) : Video Signal Route
- : Video Signal Route



# 10.20 VIDEO\_SS ASSY



A  
B  
C  
D  
E  
F

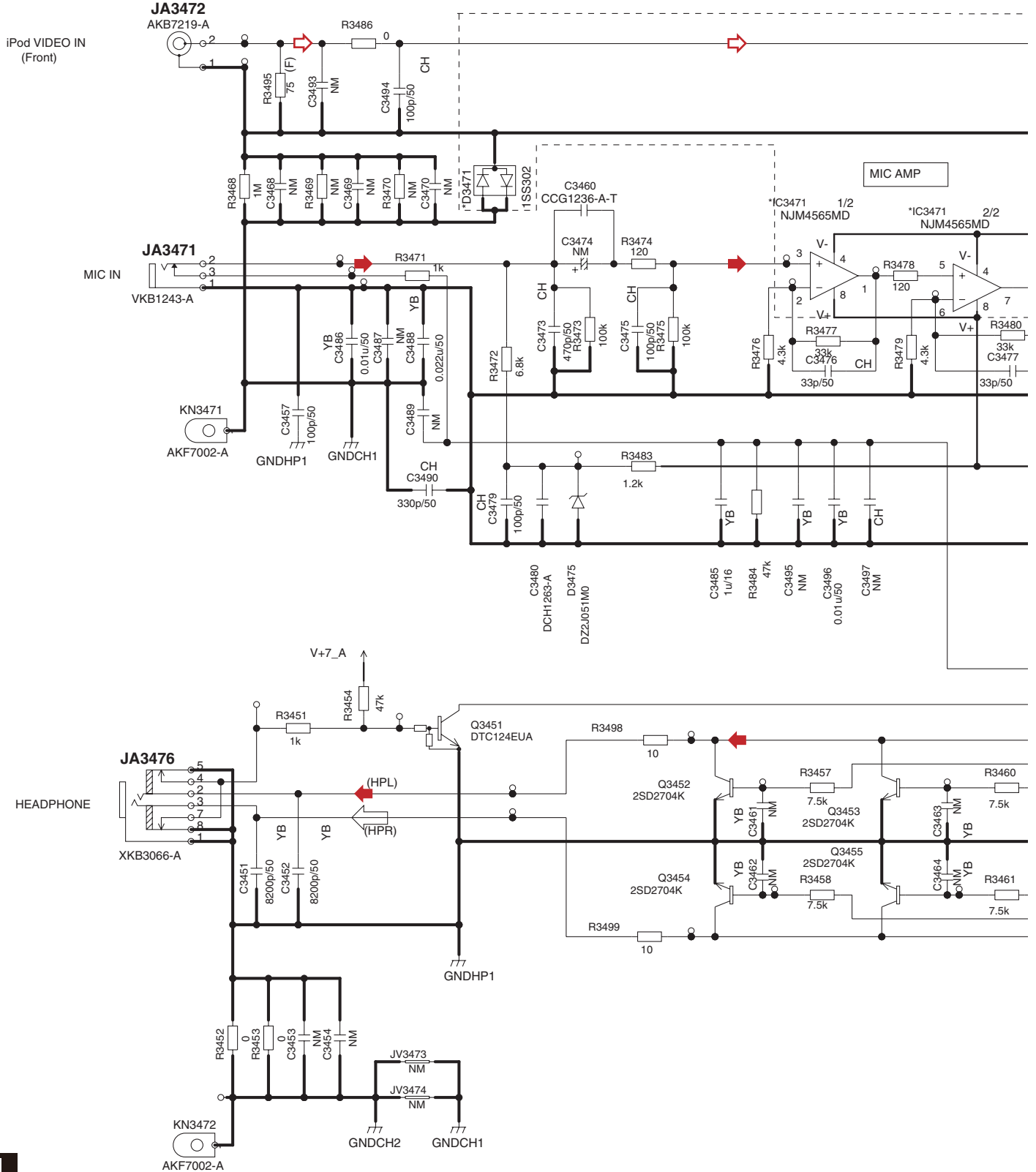






# 10.21 MIC HP ASSY

|        |           |
|--------|-----------|
|        | AWX1639   |
| R3456  | 15        |
| R3459  | 15        |
| IC3471 | NJM4565MD |
| D3471  | 1SS302    |
| JH3471 | NM        |



# MIC HP ASSY (AWX1639)

A

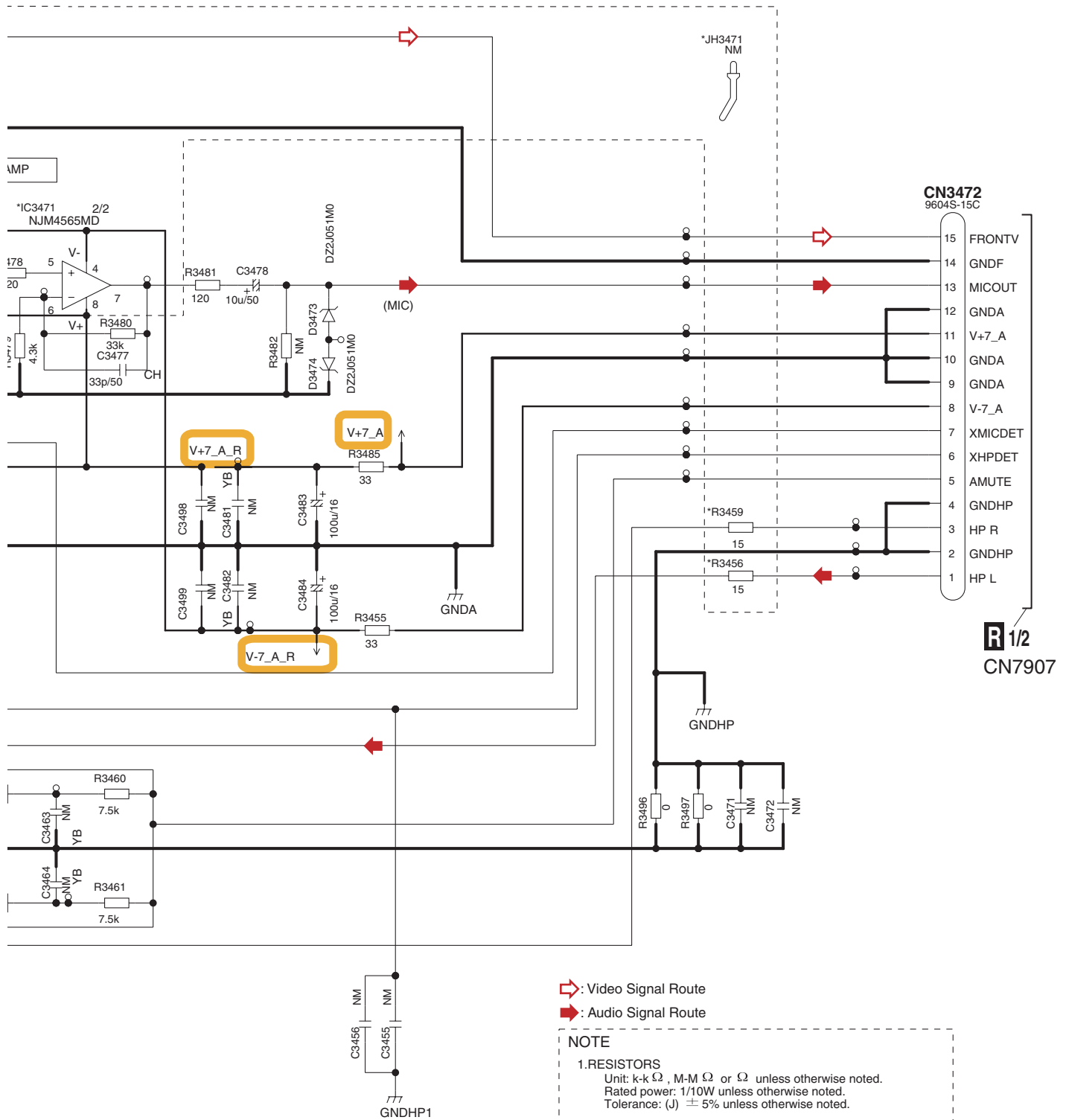
B

C

D

E

F



# 10.22 DISPLAY ASSY (1/2)

1 2 3 4

A

B

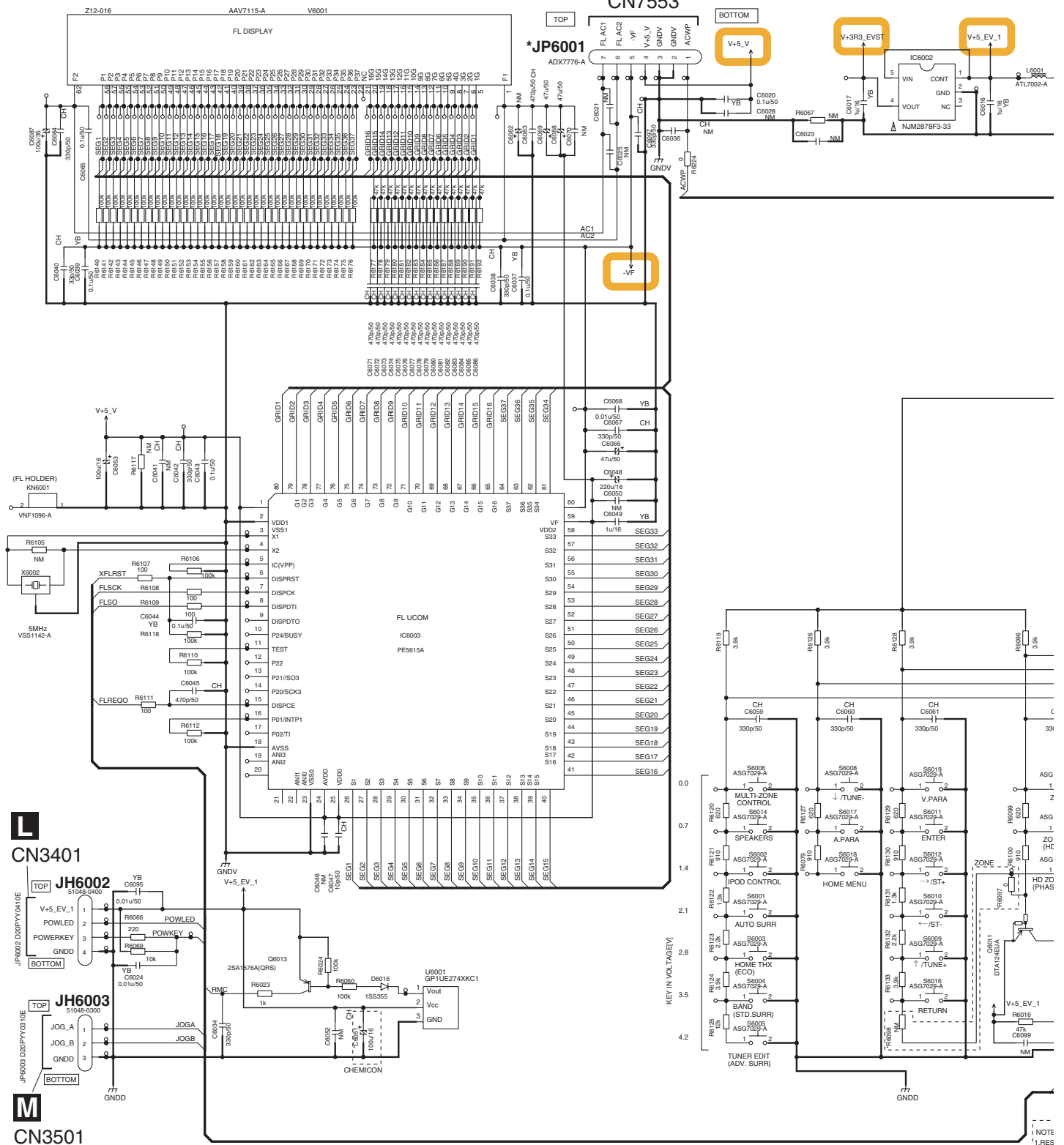
C

D

E

F

**R** 2/2  
CN7553



The  $\Delta$  mark found on some component parts should be replaced with same parts (safety regulation authorized) of identical designation.

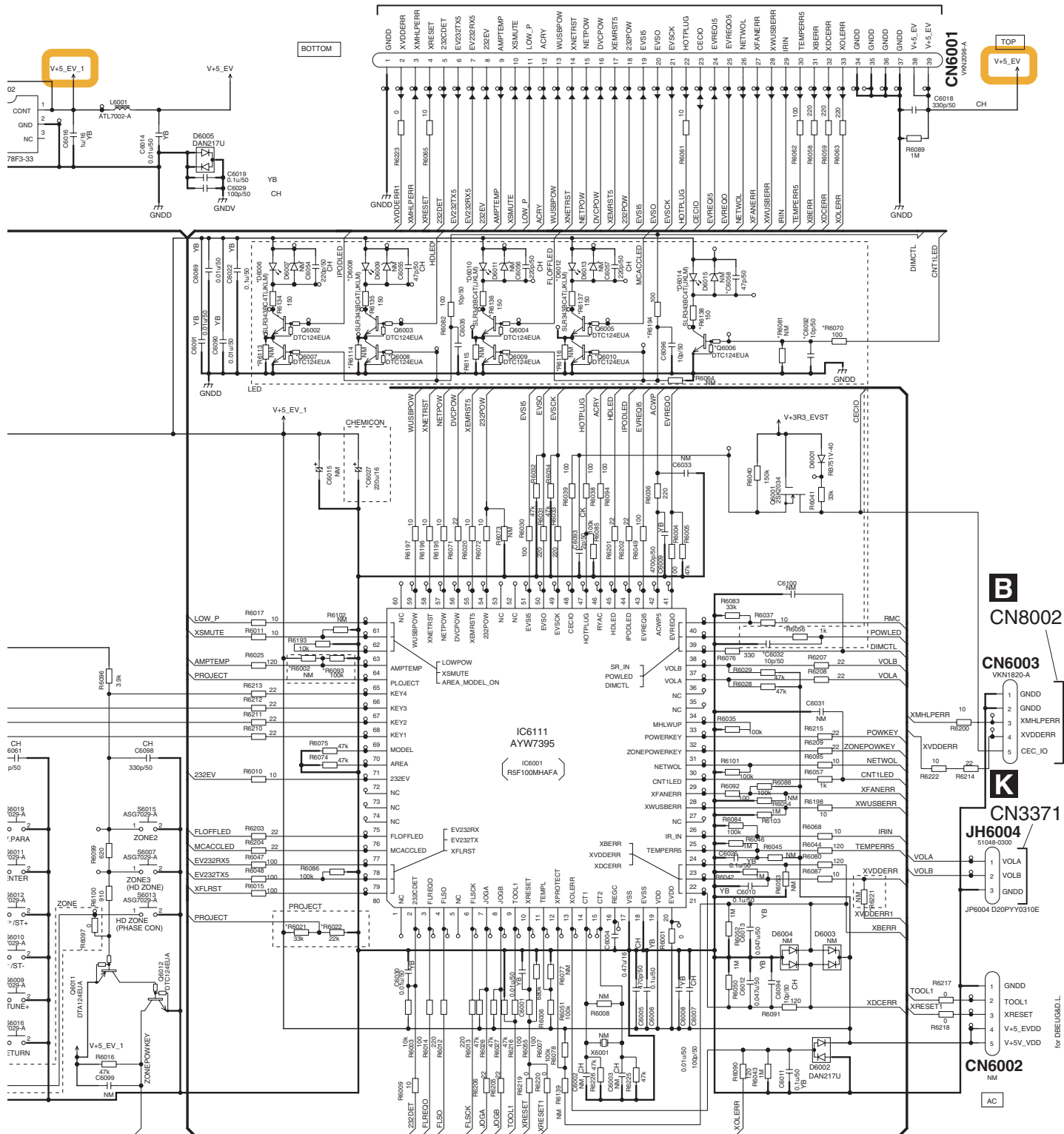
- NOTE
- 1.RES
- Unit :
- Rated
- Tolera
- 2.CAF
- Unit :
- Rating
- YB :C
- 3.NM

**J** 1/2

1 2 3 4

# J/1/2 DISPLAY ASSY(1/2) (SC-71 : AWX1455) (SC-1228-K, SC-1223-K : AWX1507)

R/1/2 CN7903



**NOTE**  
 1. RESISTORS  
 Unit :k Ω , M-M Ω or Ω unless otherwise noted.  
 Rated power :1/10W unless otherwise noted.  
 Tolerance : (J) ± 5% unless otherwise noted.  
 2. CAPACITORS  
 Unit : μF or pF unless otherwise noted.  
 Ratings : Capacity (μ F)/Voltage(V) unless otherwise noted.  
 Unit : μF or pF unless otherwise noted.  
 YB :CKSRBYB CH:CCSRCH CK:CCSRCK AT:CEAT JQ:CEJQ  
 3.NM :No mount

SC-71

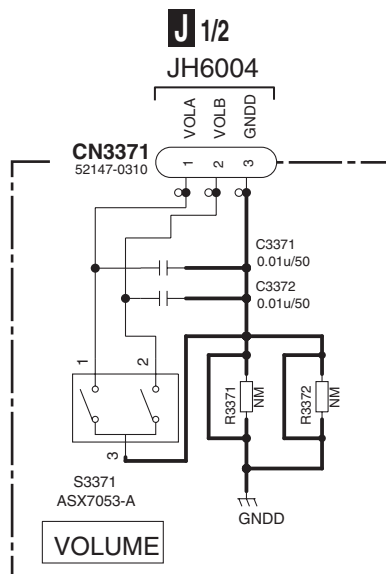
J/1/2

# 10.23 DISPLAY ASSY (2/2) and VOL ASSY

## J 2/2 DISPLAY ASSY(2/2) (SC-71 : AWX1455) (SC-1228-K, SC-1223-K : AWX1507)

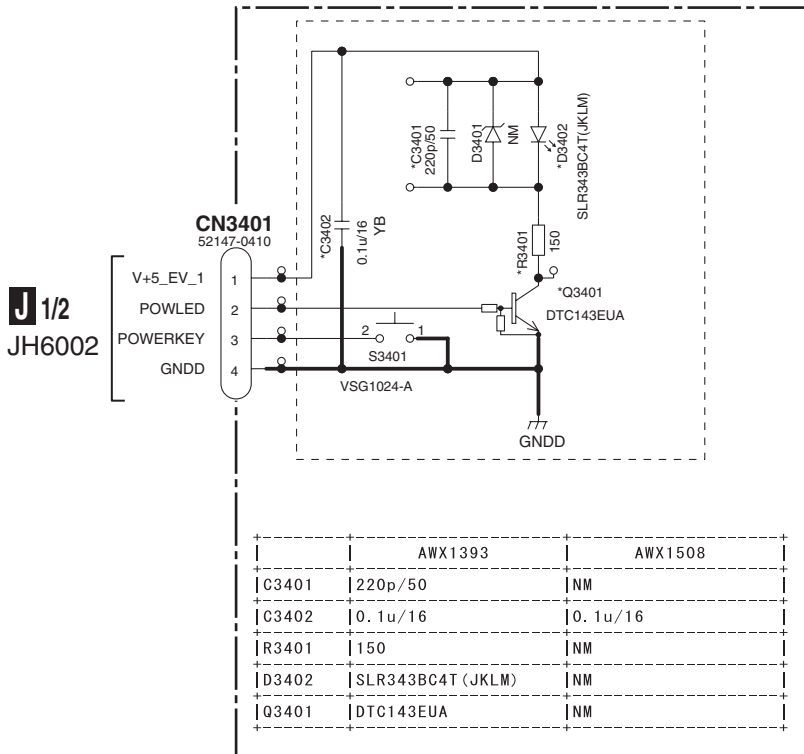
|       | AWX1455           | AWX1507         |        | AWX1455   | AWX1507   |
|-------|-------------------|-----------------|--------|-----------|-----------|
| R6021 | 33k               | 33k             | C6027  | 220u/16   | 220u/16   |
| R6022 | 22k               | 22k             |        |           |           |
|       | AWX1455           | AWX1507         |        | AWX1455   | AWX1507   |
| C6032 | 10p/50            | NM              | C6051  | 100u/16   | 100u/16   |
| C6058 | 47p/50            | NM              |        |           |           |
| C6092 | 10p/50            | NM              | R6097  | NM        | NM        |
| R6056 | 1k                | NM              | R6098  | 12k       | 12k       |
| R6064 | NM                | 0               |        |           |           |
| R6070 | 100               | NM              |        | AWX1455   | AWX1507   |
| R6081 | NM                | 0               | JP6001 | ADX7776-A | ADX7776-A |
| R6113 | NM                | 0               |        | AWX1455   | AWX1507   |
| R6114 | NM                | 0               | R6002  | 100k      | 100k      |
| R6115 | NM                | 0               | R6093  | NM        | NM        |
| R6116 | NM                | 0               |        | AWX1455   | AWX1507   |
| R6134 | 150               | 680             | R6221  | NM        | NM        |
| R6135 | 150               | 680             |        |           |           |
| R6136 | 150               | 680             |        |           |           |
| R6137 | 150               | 680             |        |           |           |
| R6138 | 150               | NM              |        |           |           |
| R6194 | 100               | NM              |        |           |           |
| D6006 | SLR343BC4T (JKLM) | SLR-343VC (NPQ) |        |           |           |
| D6008 | SLR343BC4T (JKLM) | SLR-343VC (NPQ) |        |           |           |
| D6010 | SLR343BC4T (JKLM) | SLR-343VC (NPQ) |        |           |           |
| D6012 | SLR343BC4T (JKLM) | SLR-343VC (NPQ) |        |           |           |
| D6014 | SLR343BC4T (JKLM) | NM              |        |           |           |
| Q6006 | DTC124EUA         | NM              |        |           |           |
| Q6007 | DTC124EUA         | NM              |        |           |           |
| Q6008 | DTC124EUA         | NM              |        |           |           |
| Q6009 | DTC124EUA         | NM              |        |           |           |
| Q6010 | DTC124EUA         | NM              |        |           |           |

## K VOL ASSY (AWX1392)

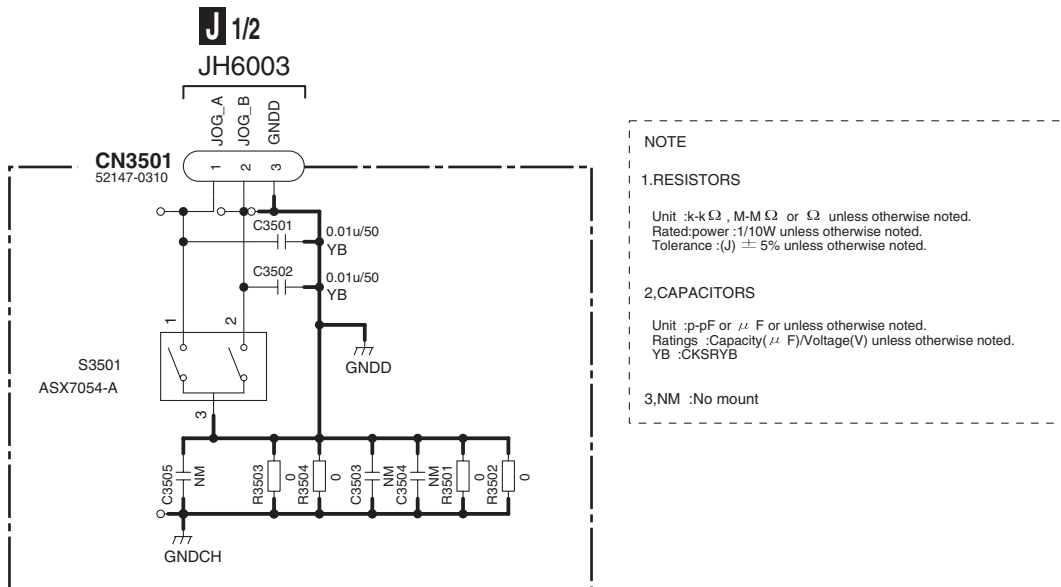


# 10.24 POWER SW ASSY and ENCODER ASSY

## L POWER SW ASSY (SC-71 : AWX1393) (SC-1228-K, SC-1223-K : AWX1508)



## M ENCODER ASSY (AWX1396)







# N<sup>1/2</sup> IR BUFFER\_SS ASSY(1/2) (AWX1537)

A

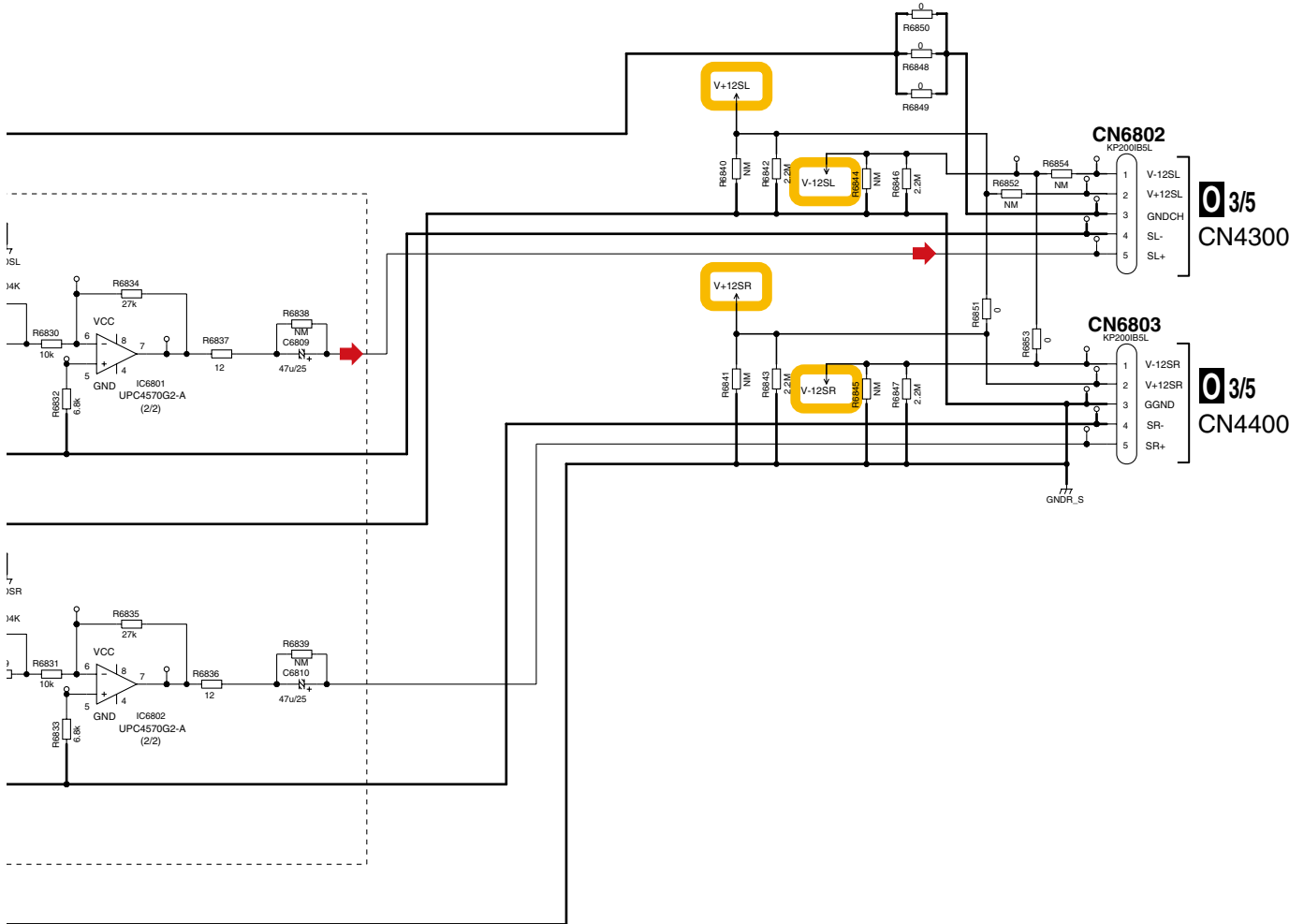
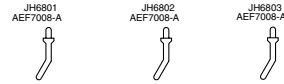
B

C

D

E

F



### ➔ : Audio Signal Route

| 1608 SIZE                | 2125 SIZE                | 3216 SIZE               |
|--------------------------|--------------------------|-------------------------|
| RS1/16S***<br>RN1/16S*** | RS1/10S***<br>RS1/8SQ*** | RS1/8S***<br>RS1/4SA*** |
| CCSR***<br>CKSR***       | CCSQ***<br>CKSQ***       | CCS***<br>CKS***        |

#### NOTE

- RESISTORS  
Unit: k-Ω, M-Ω or Ω unless otherwise noted.  
Rated Power: 1/16W unless otherwise noted.  
Tolerance: (J)5% unless otherwise noted.
- CAPACITORS  
Unit: p-pF or u-uF unless otherwise noted.  
Ratings: Capacity(F)/Voltage(V) unless otherwise noted.  
YS: CKSRVB, CH:CCSRCH
- NM: No Mount

# 10.26 IR BUFFER\_SS ASSY (2/2)

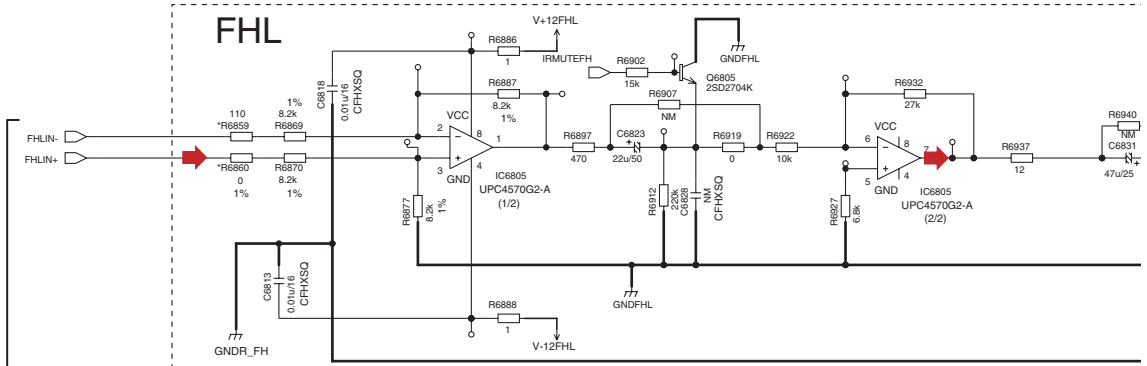
1

2

3

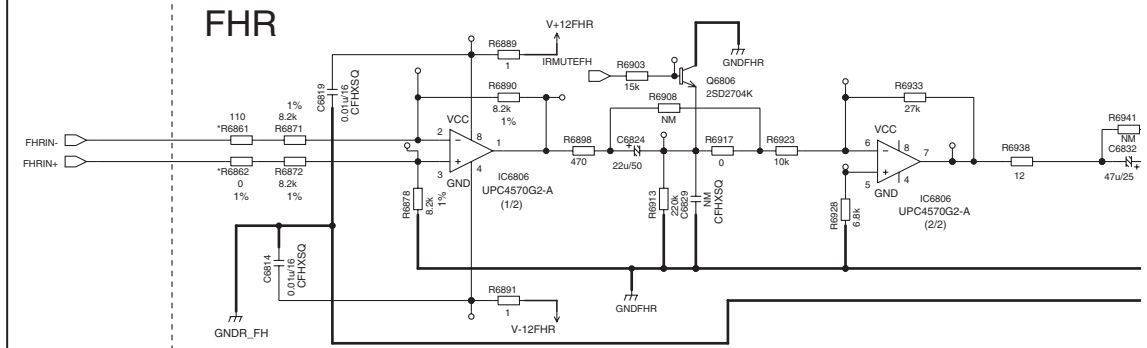
4

A

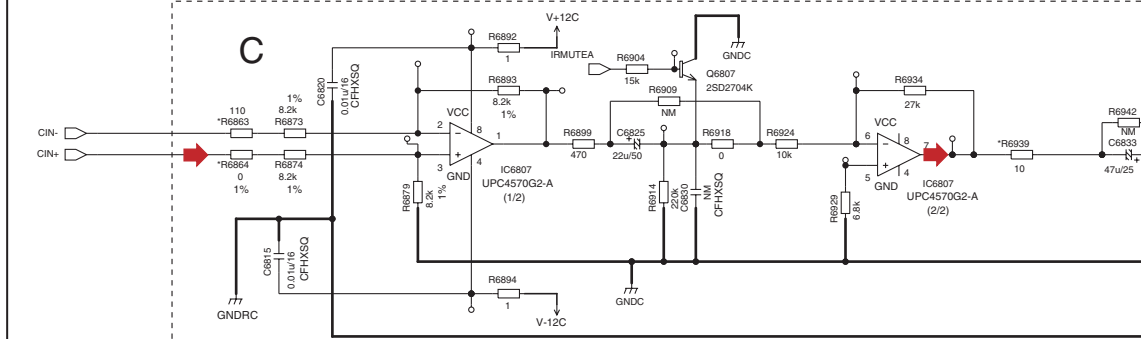


|       | AWX1537 | AWX1453 |
|-------|---------|---------|
| R6859 | 100     | 110     |
| R6860 | 22      | 0       |
| R6861 | 100     | 110     |
| R6862 | 22      | 0       |

B



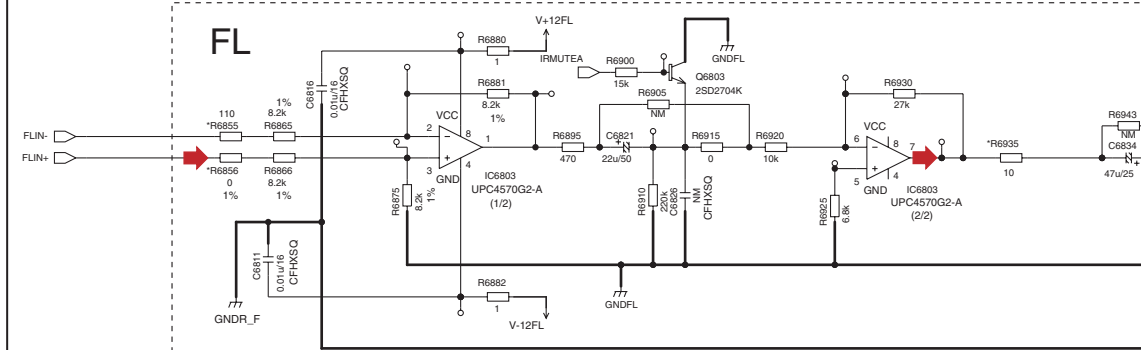
C



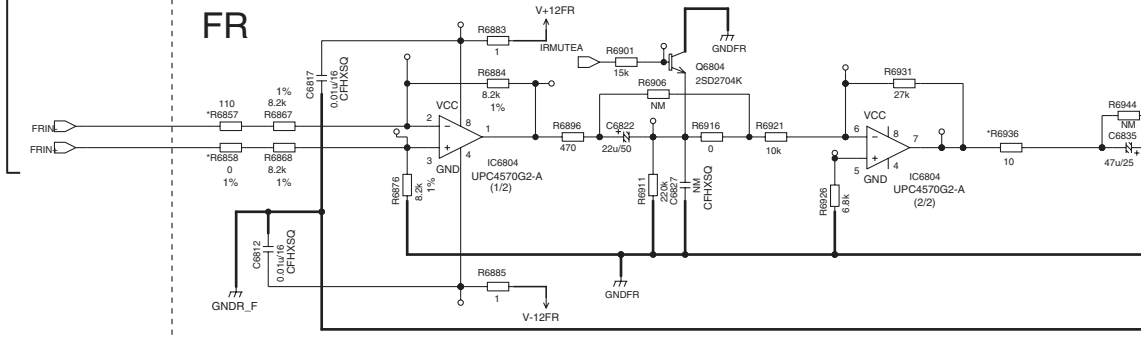
N 1/2

|       | AWX1537 | AWX1453 |
|-------|---------|---------|
| R6863 | 100     | 110     |
| R6864 | 22      | 0       |
| R6939 | 12      | 10      |

D



E



F

|       | AWX1537 | AWX1453 |
|-------|---------|---------|
| R6855 | 100     | 110     |
| R6856 | 22      | 0       |
| R6857 | 100     | 110     |
| R6858 | 22      | 0       |
| R6935 | 12      | 10      |
| R6936 | 12      | 10      |

N 2/2

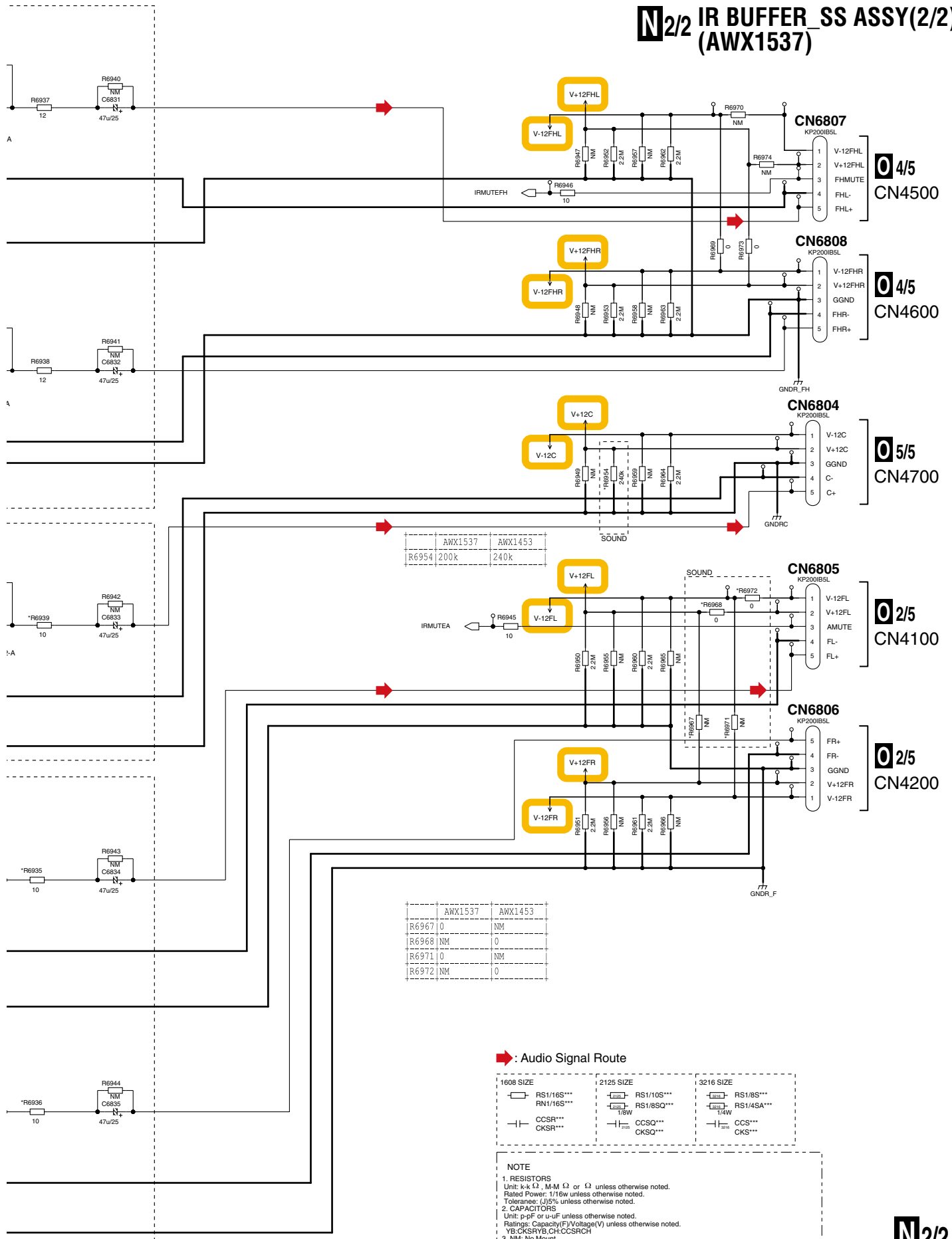
1

2

3

4

# N2/2 IR BUFFER\_SS ASSY(2/2) (AWX1537)



|       |         |         |
|-------|---------|---------|
|       | AWX1537 | AWX1453 |
| R6954 | 200k    | 240k    |

|       |         |         |
|-------|---------|---------|
|       | AWX1537 | AWX1453 |
| R6967 | 0       | NM      |
| R6968 | NM      | 0       |
| R6971 | 0       | NM      |
| R6972 | NM      | 0       |

➔ : Audio Signal Route

| 1608 SIZE                                      | 2125 SIZE                                      | 3216 SIZE                                   |
|--|--|---|
| RS1/16S***<br>RN1/16S***<br>CCSR***<br>CKSR*** | RS1/10S***<br>RS1/8SO***<br>CCSO***<br>CKSO*** | RS1/8S***<br>RS1/4SA***<br>CCS***<br>CKS*** |

**NOTE**  
 1. RESISTORS  
 Unit: k- $\Omega$ , M- $\Omega$  or  $\Omega$  unless otherwise noted.  
 Rated Power: 1/16W unless otherwise noted.  
 Tolerance: (J)5% unless otherwise noted.  
 2. CAPACITORS  
 Unit: p-pF or u-uF unless otherwise noted.  
 Ratings: Capacity(F)/Voltage(V) unless otherwise noted.  
 YB: CKSRYB, CH: CCSRCH  
 3. NM: No Mount



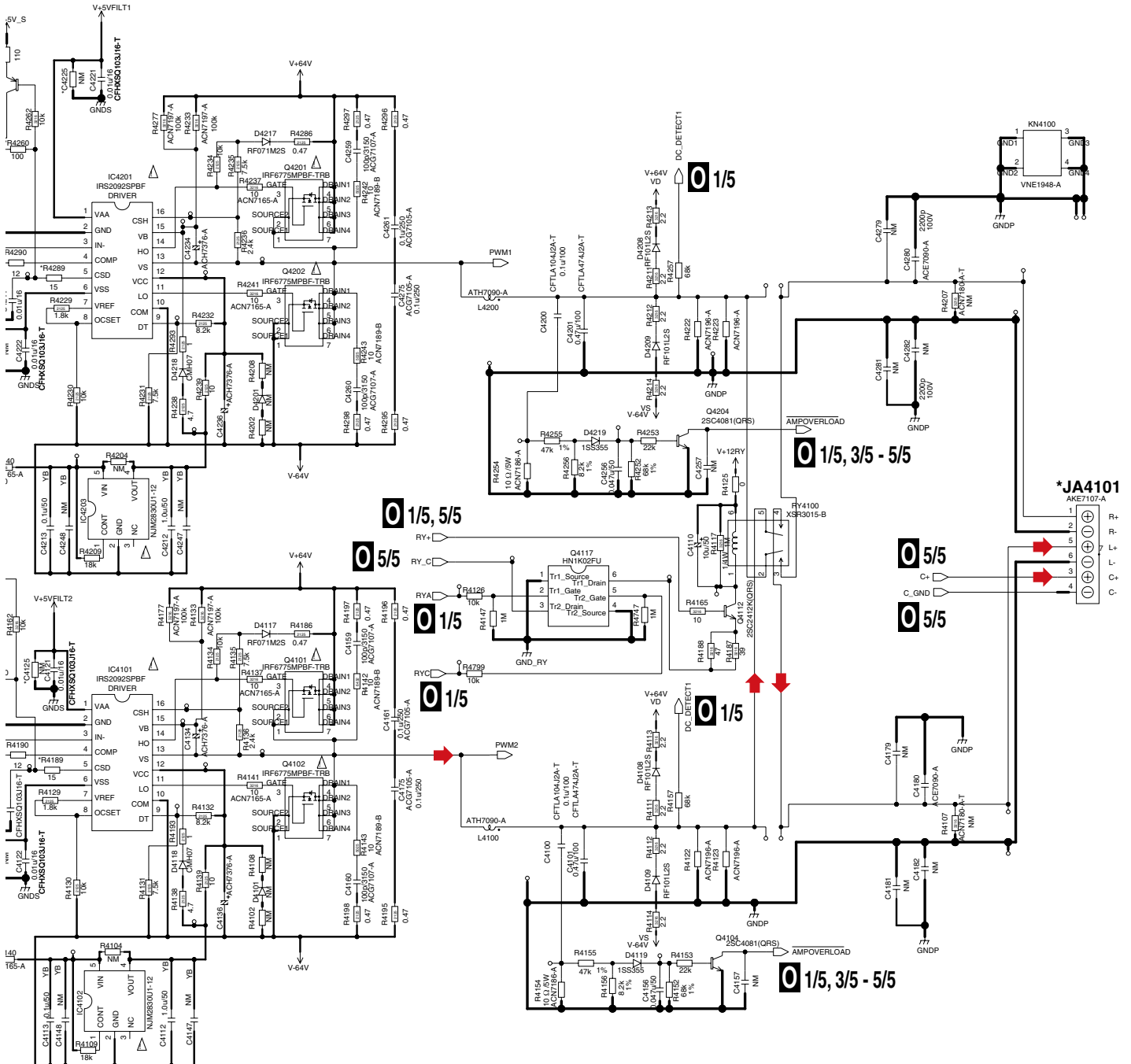




# 02/5 D-AMP\_SS ASSY(2/5) (AWX1425)

3 MOS FET Driver

Output Power Stage and LP Filter



1/5 - 5/5

➔ : Audio Signal Route

**NOTE**  
 1. RESISTORS  
 Unit: k-k12, M-M12 or Ω unless otherwise noted.  
 Rated Power: 1/16w unless otherwise noted.  
 Tolerance: (J)5% unless otherwise noted.  
 2. CAPACITORS  
 Unit: p-pF or u-uF unless otherwise noted.  
 Ratings: Capacity(F)Voltage(V) unless otherwise noted.  
 YB:CKSRVB, QYB:CKSOYB,SYB:CKSYB, CH:CCSRCH  
 HAT:SEHAT, ZL:CEHAZL  
 3. NM: No Mount

| 1608 SIZE  | 2125 SIZE  | 3216 SIZE  |
|------------|------------|------------|
| RS1/16S*** | RS1/10S*** | RS1/8S***  |
| RN1/16S*** | RS1/8SO*** | RS1/4SA*** |
| CCSR***    | T8W        | T4W        |
| CKSR***    | CCSQ***    | CKS***     |
|            | CKSQ***    |            |

The  $\Delta$  mark found on some component parts should be replaced with same parts (safety regulation authorized) of identical designation.

SC-71

02/5

# 10.29 D-AMP\_SS ASSY (3/5)

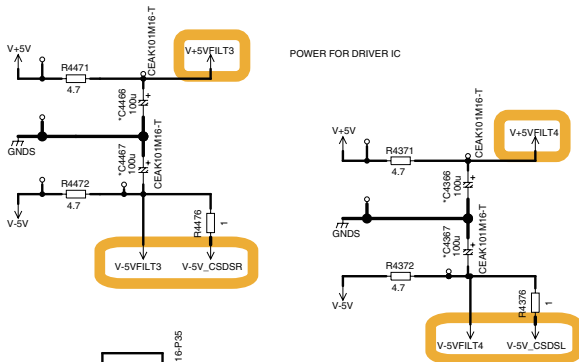
1

2

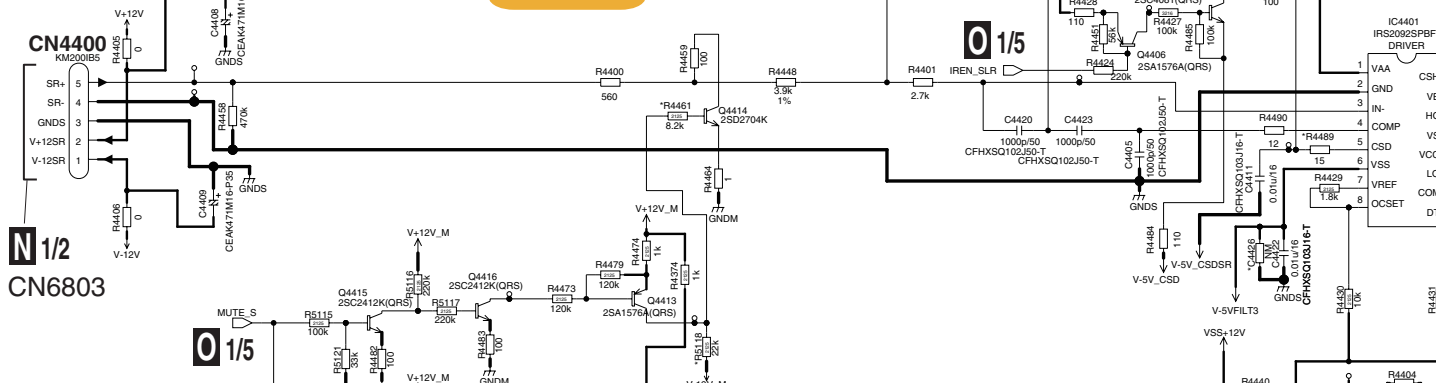
3

4

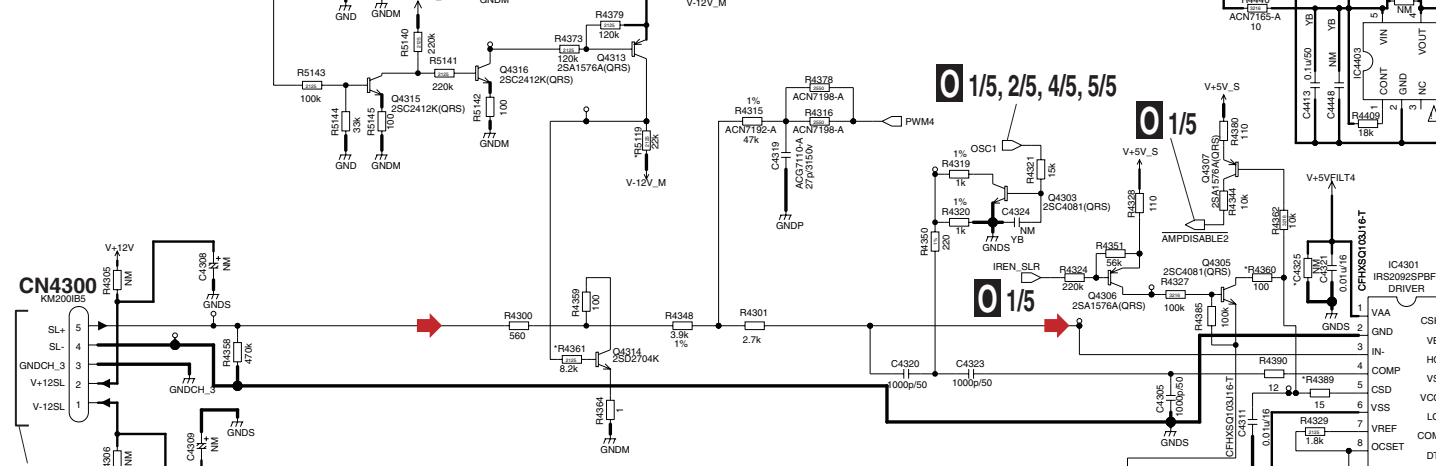
A



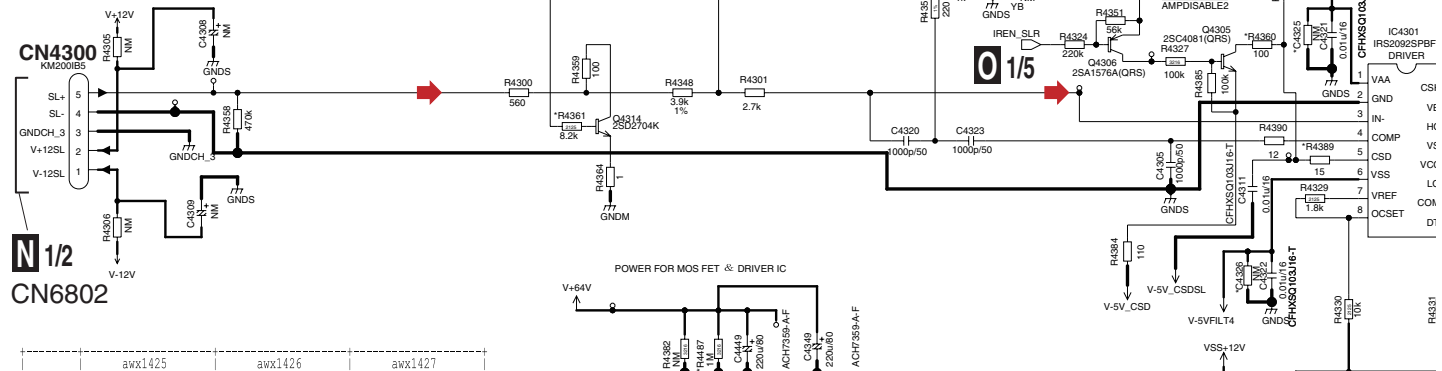
B



C



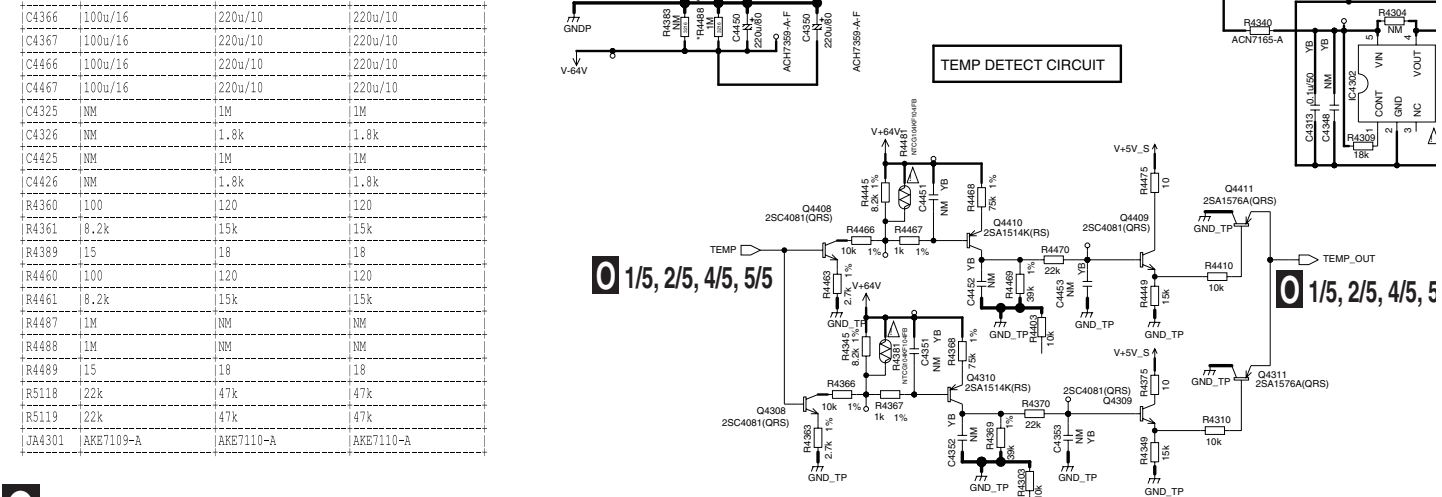
D



E

|        | awx1425    | awx1426    | awx1427    |
|--------|------------|------------|------------|
| C4366  | 100u/16    | 220u/10    | 220u/10    |
| C4367  | 100u/16    | 220u/10    | 220u/10    |
| C4466  | 100u/16    | 220u/10    | 220u/10    |
| C4467  | 100u/16    | 220u/10    | 220u/10    |
| C4325  | NM         | 1M         | 1M         |
| C4326  | NM         | 1M         | 1M         |
| C4425  | NM         | 1M         | 1M         |
| C4426  | NM         | 1.8k       | 1.8k       |
| R4360  | 100        | 120        | 120        |
| R4361  | 8.2k       | 15k        | 15k        |
| R4369  | 15         | 18         | 18         |
| R4460  | 100        | 120        | 120        |
| R4461  | 8.2k       | 15k        | 15k        |
| R4487  | 1M         | NM         | NM         |
| R4488  | 1M         | NM         | NM         |
| R4489  | 15         | 18         | 18         |
| R5118  | 22k        | 47k        | 47k        |
| R5119  | 22k        | 47k        | 47k        |
| J44301 | AKET1109-A | AKET1110-A | AKET1110-A |

F



O3/5

1

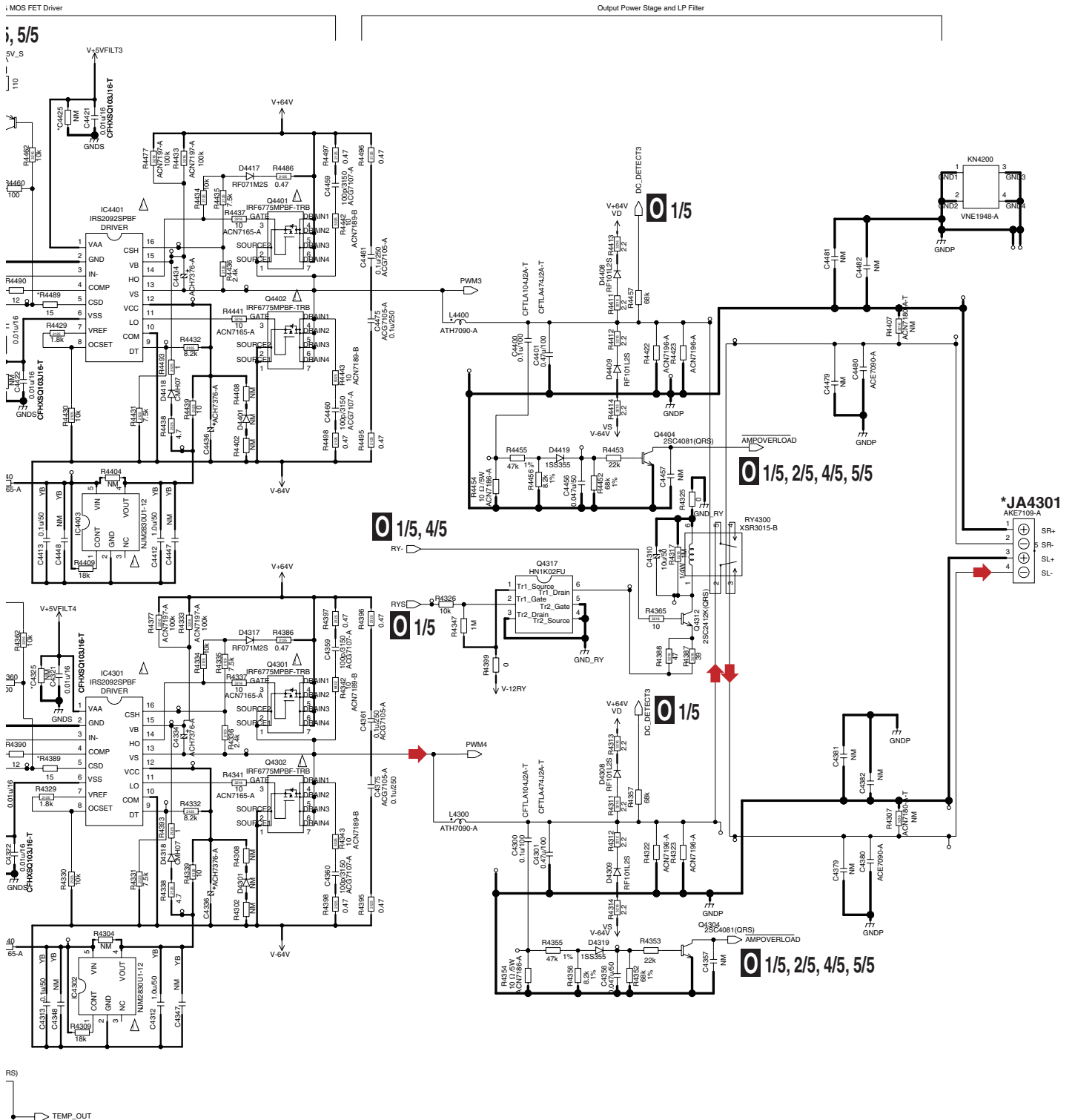
2

3

4



# O<sub>3/5</sub> D-AMP\_SS ASSY(3/5) (AWX1425)



➔ : Audio Signal Route

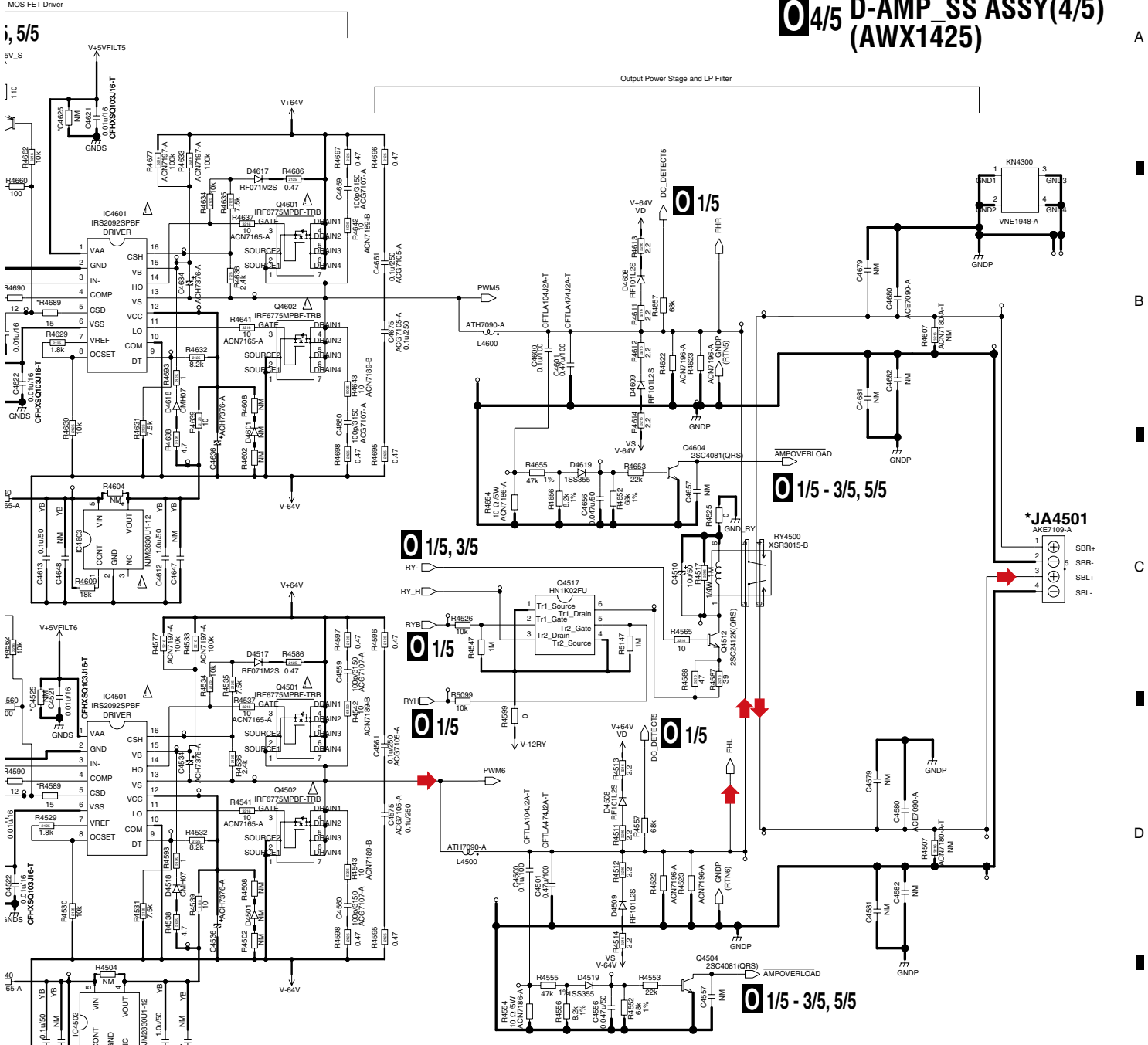
**NOTE**  
 1. RESISTORS  
 Unit: k-Ω, M-MΩ or Ω unless otherwise noted.  
 Rated Power: 1/10w unless otherwise noted.  
 Tolerance: 0.5% unless otherwise noted.  
 2. CAPACITORS  
 Unit: p-pF or u-uF unless otherwise noted.  
 Ratings: Capacitance(Voltage) unless otherwise noted.  
 YB:CKSR YB, QYB:CKSOYB, SYB:CKSYB, CH:CCSRCH  
 HAT:CEHAT, ZL:CEHAZL  
 3. NM: No Mount

The  $\Delta$  mark found on some component parts should be replaced with same parts (safety regulation authorized) of identical designation.

| 1608 SIZE               | 2125 SIZE                       | 3216 SIZE                      |
|-------------------------|---------------------------------|--------------------------------|
| R1/16S***<br>RN1/16S*** | R5/110S***<br>R5/180S***<br>18W | R5/18S***<br>R5/14SA***<br>14W |
| CCSR***<br>CKSR***      | CCSO***<br>CKSO***              | CCS***<br>CKS***               |



# Q4/5 D-AMP\_SS ASSY(4/5) (AWX1425)



|        | awx1425   | awx1426   | awx1427   |
|--------|-----------|-----------|-----------|
| C4566  | 100u/16   | 220u/10   | 220u/10   |
| C4567  | 100u/16   | 220u/10   | 220u/10   |
| C4666  | 100u/16   | 220u/10   | 220u/10   |
| C4667  | 100u/16   | 220u/10   | 220u/10   |
| C4525  | NM        | 1M        | 1M        |
| C4526  | NM        | 1.8k      | 1.8k      |
| C4625  | NM        | 1M        | 1M        |
| C4626  | NM        | 1.8k      | 1.8k      |
| R4560  | 100       | 120       | 120       |
| R4561  | 8.2k      | 15k       | 15k       |
| R4589  | 15        | 18        | 18        |
| R4660  | 100       | 120       | 120       |
| R4661  | 8.2k      | 15k       | 15k       |
| R4667  | 1M        | NM        | NM        |
| R4688  | 1M        | NM        | NM        |
| R4689  | 15        | 18        | 18        |
| R5127  | 22k       | 47k       | 47k       |
| R5133  | 22k       | 47k       | 47k       |
| JA4501 | AKE7109-A | AKE7110-A | AKE7110-A |
| JA5101 | AKE7109-A | AKE7110-A | AKE7110-A |

➔ : Audio Signal Route

**NOTE**  
 1. RESISTORS  
 Unit: k-K, M-M, Ω or Ω unless otherwise noted.  
 Rated Power: 1/16w unless otherwise noted.  
 Tolerance: (J)5% unless otherwise noted.  
 2. CAPACITORS  
 Unit: p-pF or u-uF unless otherwise noted.  
 Ratings: Capacity(F)/voltage(V) unless otherwise noted.  
 YB:CKSRVB, QYB:CKSQYB,SYB:CKSYB, CH:CCSRCH  
 HAT:GHAT, ZL:CEH4ZL  
 3. NM: No Mount

The **Δ** mark found on some component parts should be replaced with same parts (safety regulation authorized) of identical designation.

| 1608 SIZE                  | 2125 SIZE                          | 3216 SIZE                         |
|----------------------------|------------------------------------|-----------------------------------|
| □ RS1/16S***<br>RN1/16S*** | □ RS1/10S***<br>RS1/8SQ***<br>1/8W | □ RS1/8S***<br>RS1/4SA***<br>1/4W |
| □ CCSR***<br>CKSR***       | □ CCSQ***<br>CKSQ***               | □ CCS***<br>CKS***                |

# 10.31 D-AMP\_SS ASSY (5/5)

1 2 3 4

A

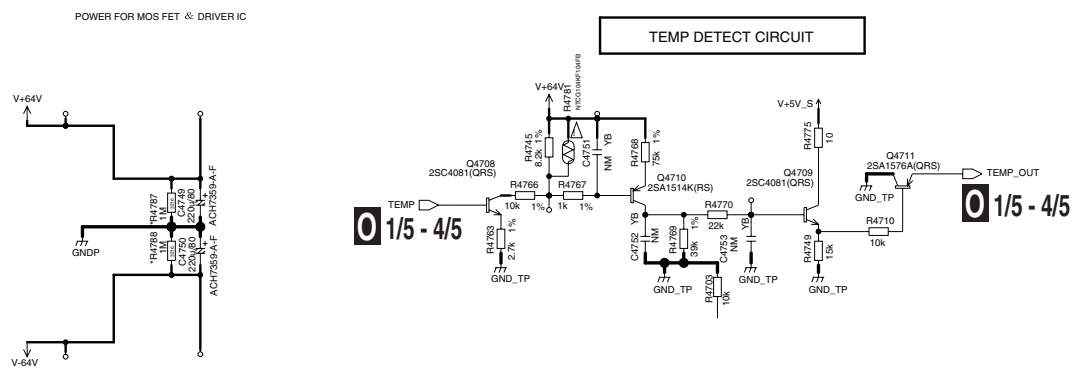
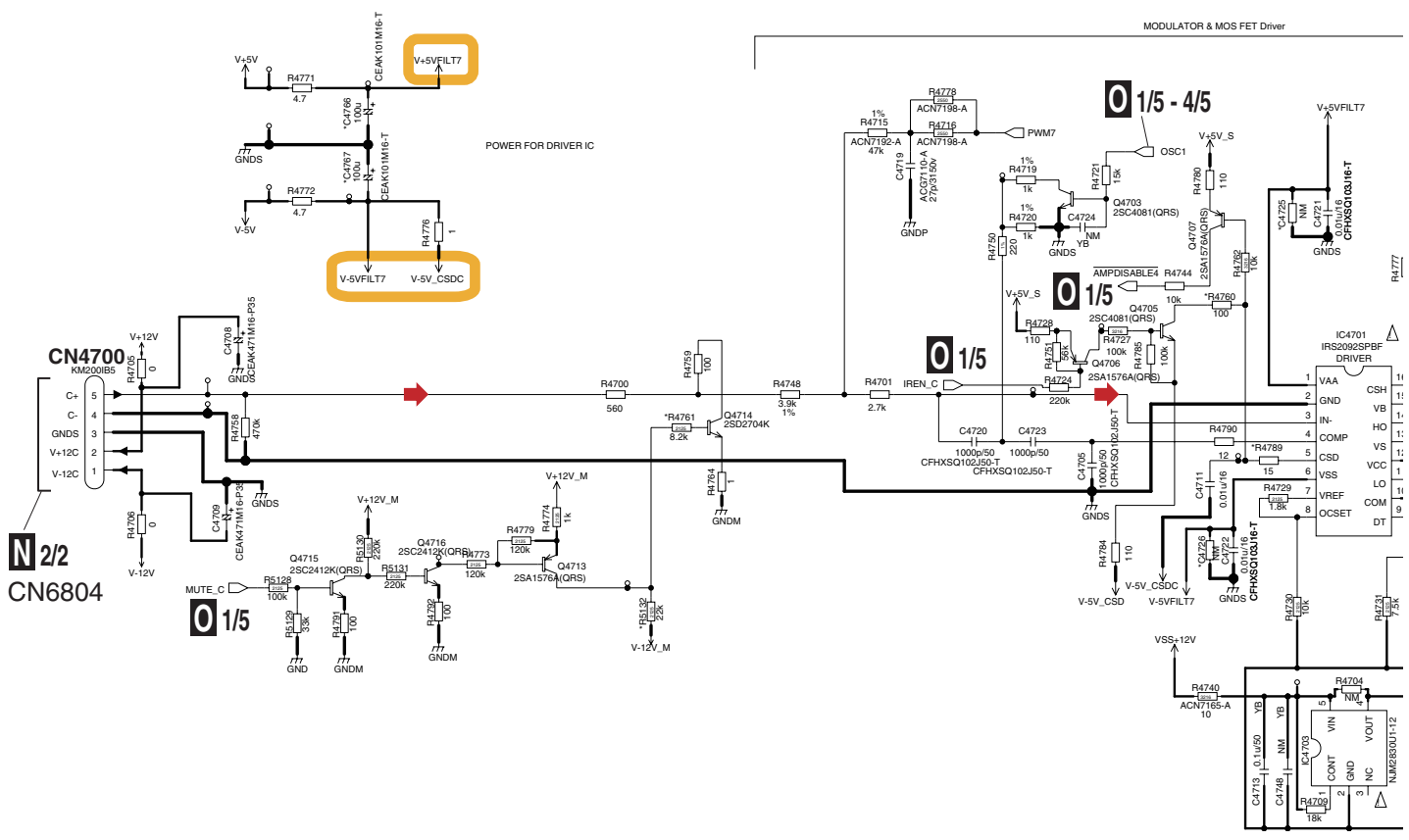
B

C

D

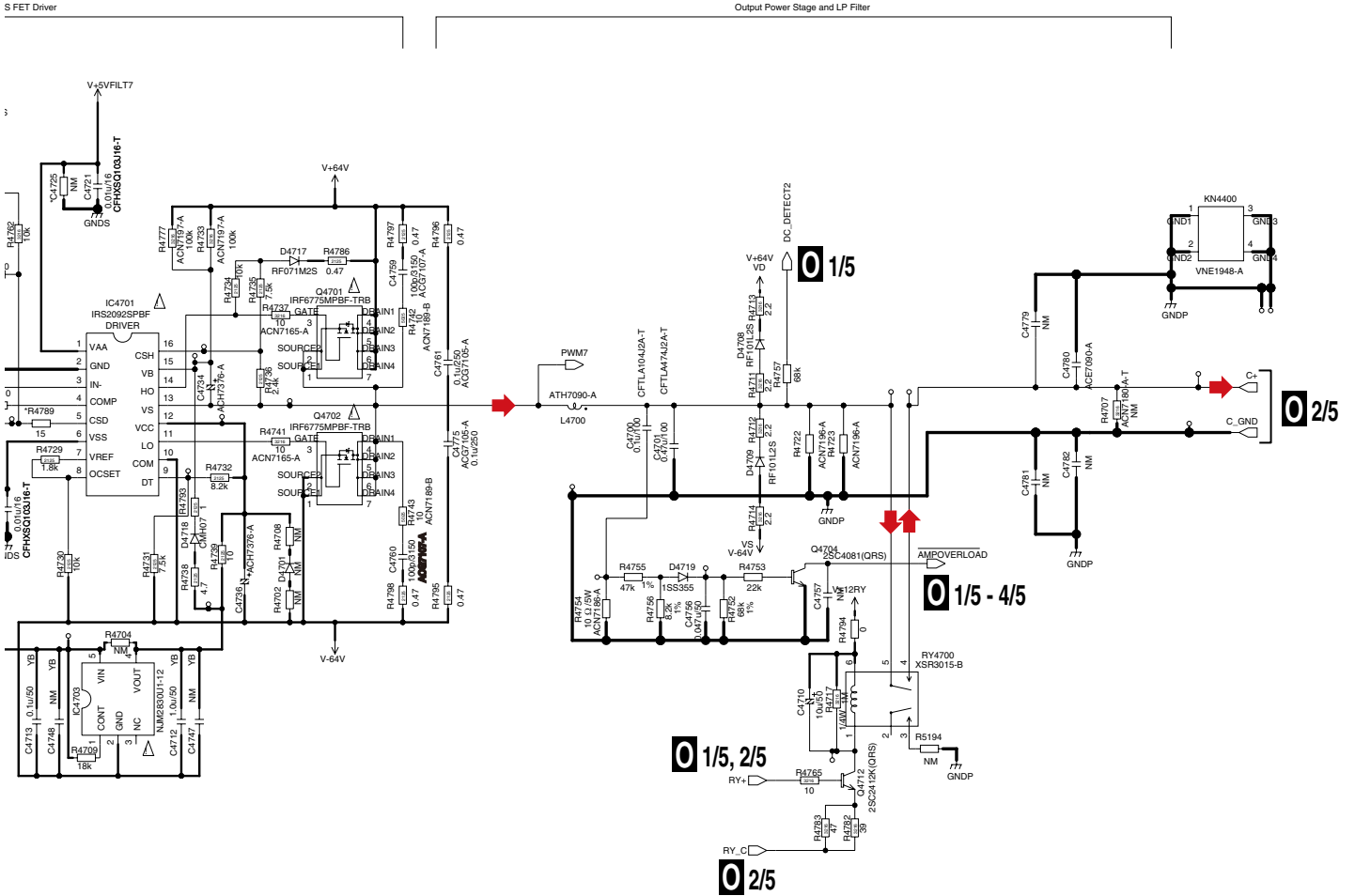
E

F



1 2 3 4

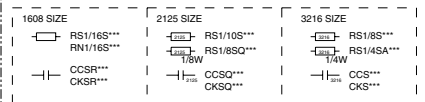
# Q5/5 D-AMP\_SS ASSY(5/5) (AWX1425)



|       | awx1425 | awx1426 | awx1427 |
|-------|---------|---------|---------|
| C4766 | 100u/16 | 220u/10 | 220u/10 |
| C4767 | 100u/16 | 220u/10 | 220u/10 |
| C4725 | NM      | 1M      | 1M      |
| C4726 | NM      | 1.8k    | 1.8k    |
| R4760 | 100     | 120     | 120     |
| R4761 | 8.2k    | 15k     | 15k     |
| R4787 | 1M      | NM      | NM      |
| R4788 | 1M      | NM      | NM      |
| R4789 | 15      | 18      | 18      |
| RS132 | 22k     | 47k     | 47k     |

## Audio Signal Route

**NOTE**  
 1. RESISTORS  
 Unit: k-Ω, M-Ω or Ω unless otherwise noted.  
 Rated Power: 1/16w unless otherwise noted.  
 Tolerance: ±5% unless otherwise noted.  
 2. CAPACITORS  
 Unit: p-pF or u-uF unless otherwise noted.  
 Ratings: Capacity(F)/Voltage(V) unless otherwise noted.  
 YB:CKSR;YB,CYB:CKSQ;YB,SYB:CKSYB,CH:CCSRCH  
 HAT:CEHAT,ZL:CEHAZL  
 3. NM: No Mount



The  $\Delta$  mark found on some component parts should be replaced with same parts (safety regulation authorized) of identical designation.

# 10.32 PRIMARY ASSY

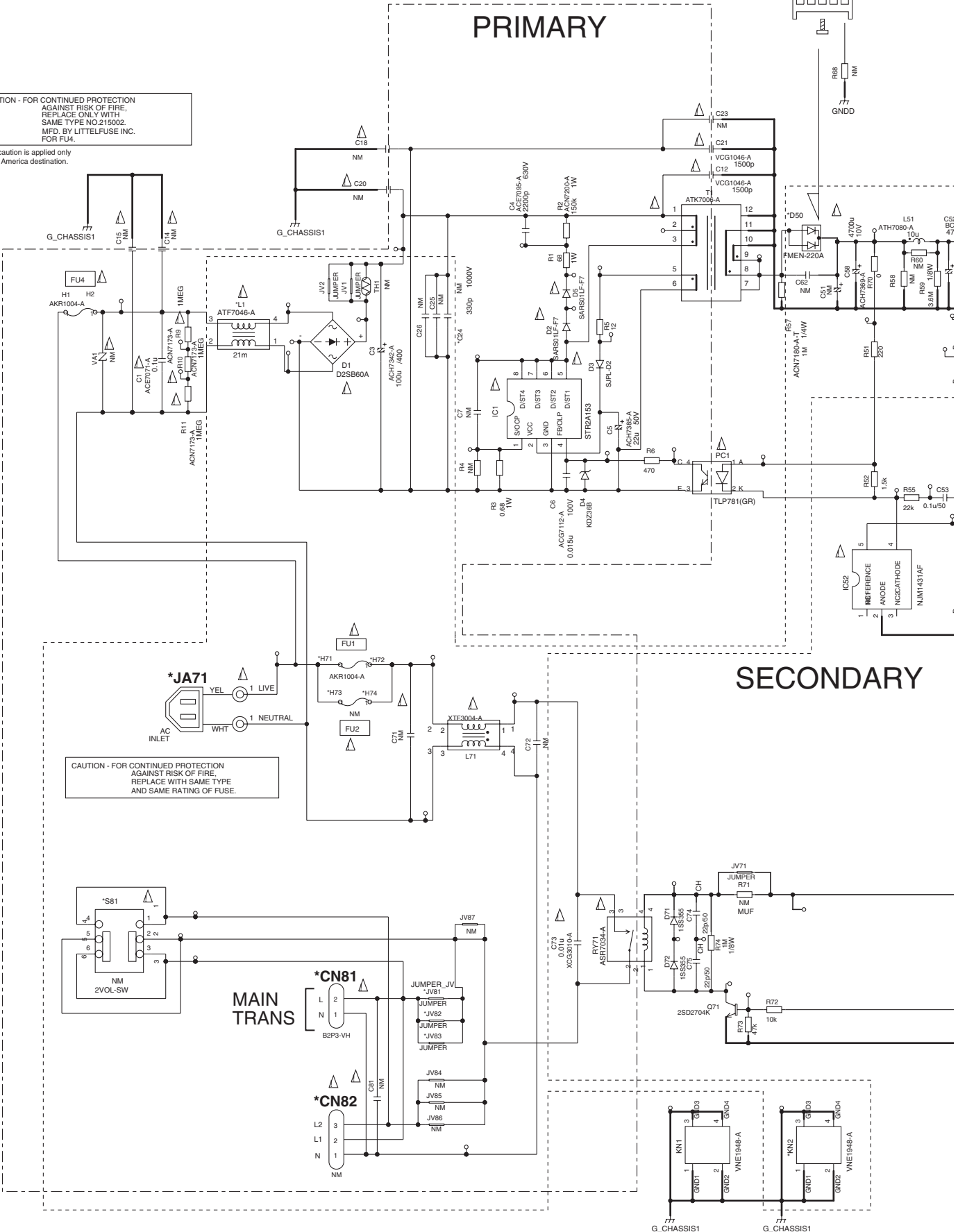
1 2 3 4

A  
B  
C  
D  
E  
F

CAUTION - FOR CONTINUED PROTECTION AGAINST RISK OF FIRE, REPLACE ONLY WITH SAME TYPE NO.215002. MFD. BY LITTELFUSE INC. FOR FU4.

This caution is applied only north America destination.

Heat Sink for D50 ANH7224-A with 5BZ30P080FCC

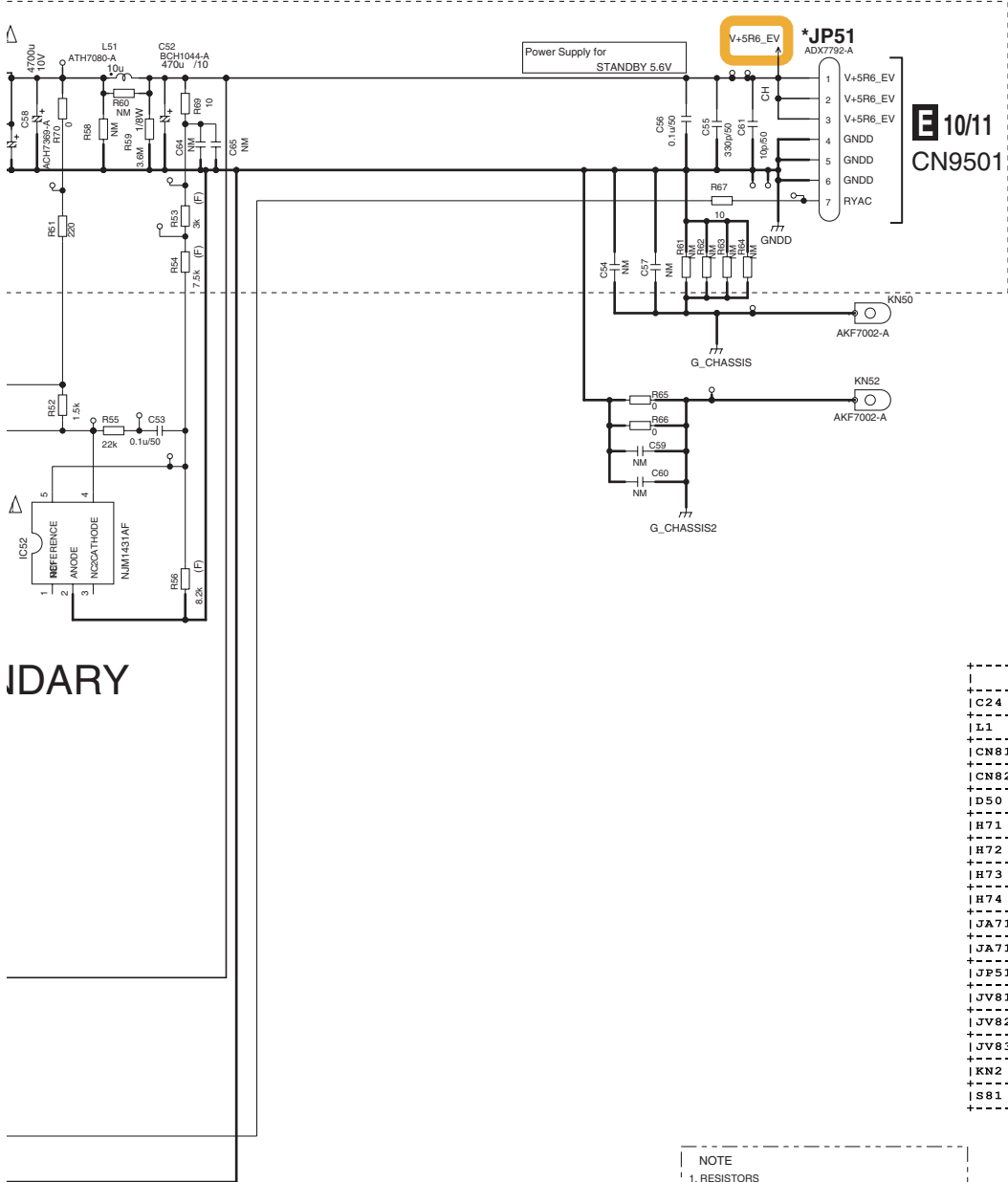


CAUTION - FOR CONTINUED PROTECTION AGAINST RISK OF FIRE, REPLACE WITH SAME TYPE AND SAME RATING OF FUSE.

## SECONDARY

1 2 3 4

# P PRIMARY ASSY (AWX1640)



## PRIMARY

| AWX1640 |           |
|---------|-----------|
| IC24    | NM        |
| L1      | ATF7046-A |
| CN81    | B2P3-VH   |
| CN82    | NM        |
| D50     | FMEN-220A |
| H71     | AKR1004-A |
| H72     | AKR1004-A |
| H73     | NM        |
| H74     | NM        |
| JA71    | ADX7513-A |
| JA71_1  | ADX7513-A |
| JP51    | ADX7792-A |
| JV81    | JUMPER    |
| JV82    | JUMPER    |
| JV83    | JUMPER    |
| KN2     | VNE1948-A |
| S81     | NM        |

**NOTE**

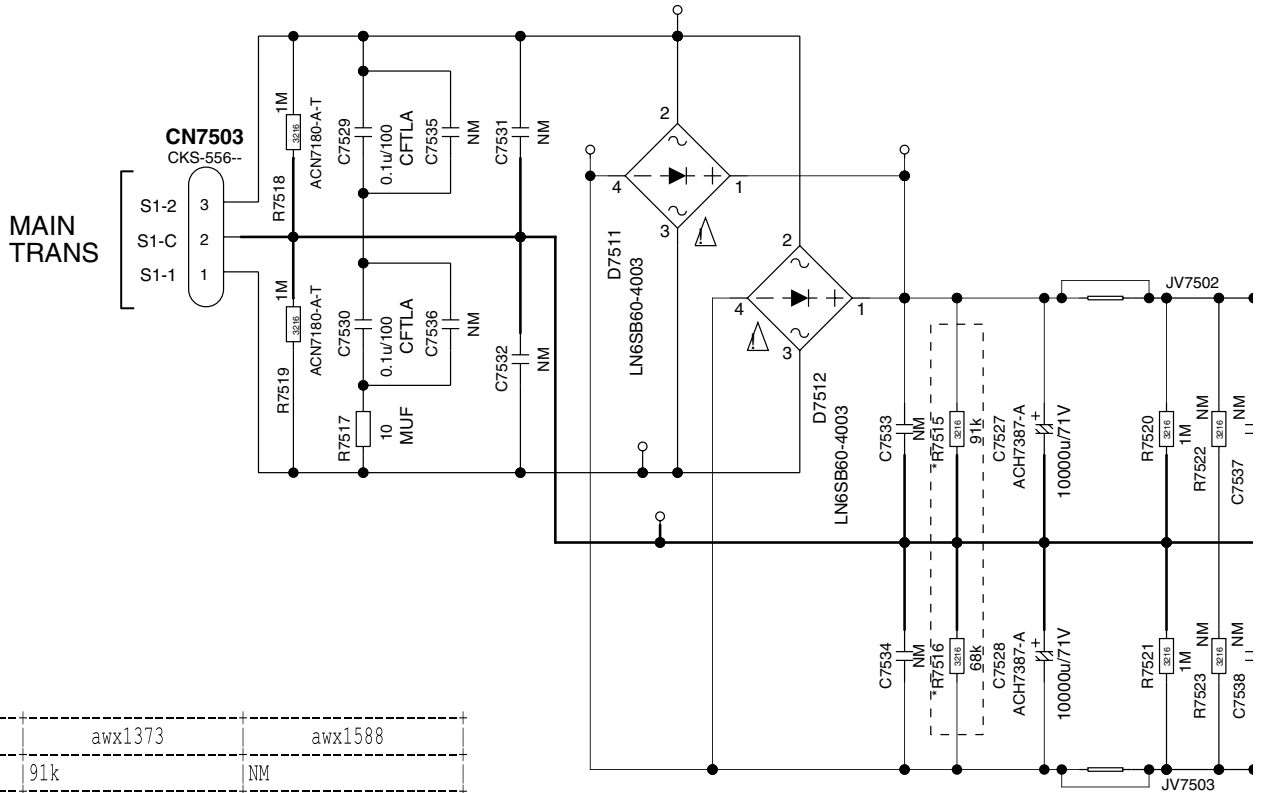
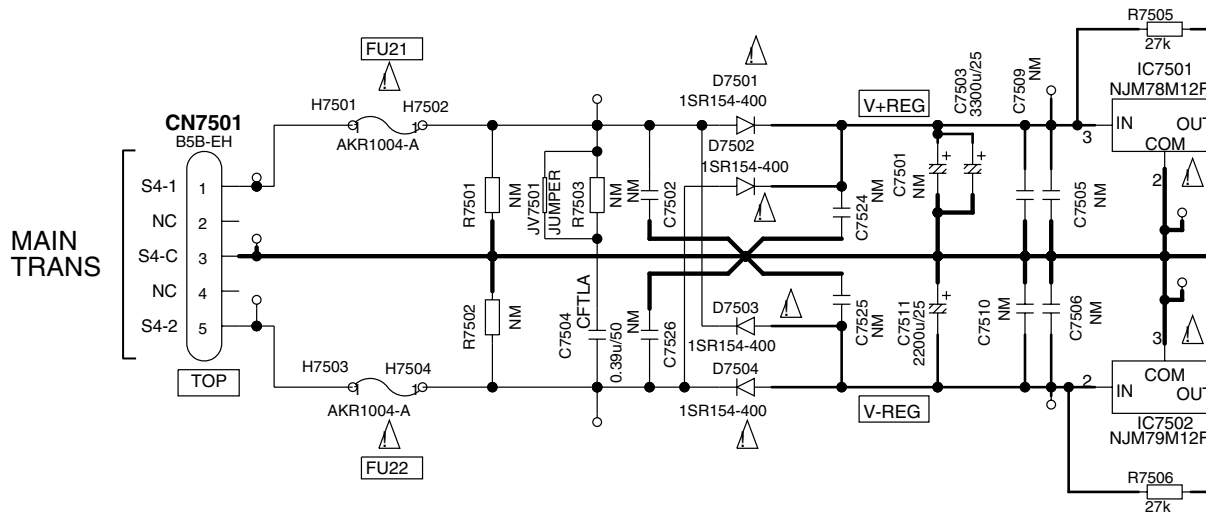
1. RESISTORS  
 Unit: k-k Ω, M-M Ω or Ω unless otherwise noted.  
 Rated Power: 1/10w unless otherwise noted.  
 Tolerance: (J)5% unless otherwise noted.  
 MUF: RD14MUJF

2. CAPACITORS  
 Unit: p-pF or u-uF unless otherwise noted.  
 Ratings: Capacity(F)/Voltage(V) unless otherwise noted.  
 CH: CCSRCH, CFTLA: CFTLA  
 AK: CEAK  
 NO MARKED: CKSRYB or CEAT  
 3. NM: No Mount

The  $\Delta$  mark found on some component parts should be replaced with same parts (safety regulation authorized) of identical designation.



# 10.33 B-DIODE\_SS ASSY



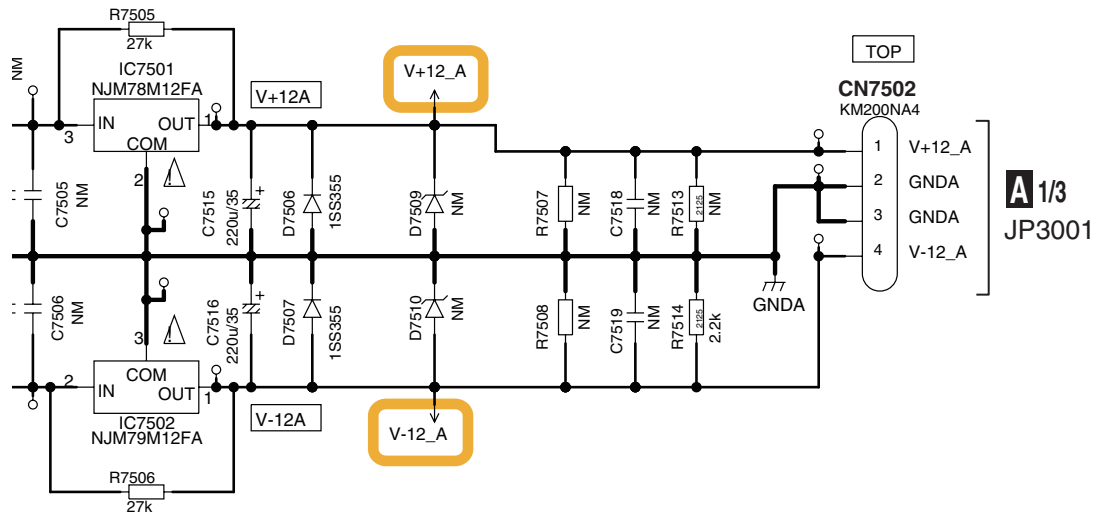
|       |         |         |
|-------|---------|---------|
|       | awx1373 | awx1588 |
| R7515 | 91k     | NM      |
| R7516 | 68k     | NM      |





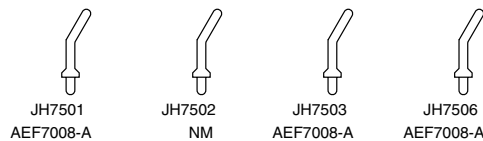
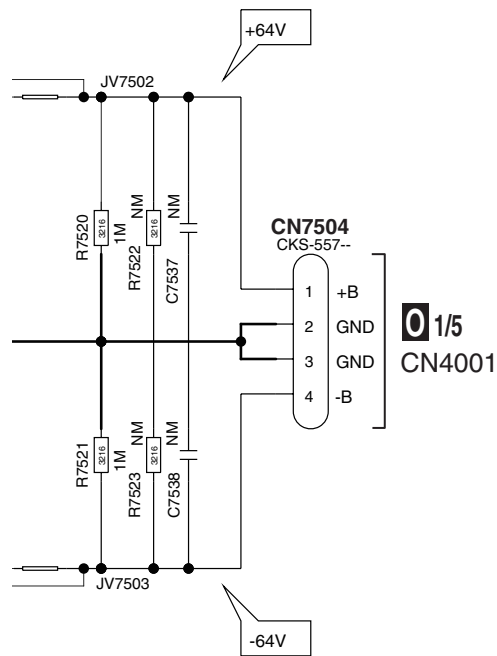
# Q B-DIODE\_SS ASSY (AWX1588)

A



B

C



D

E

F

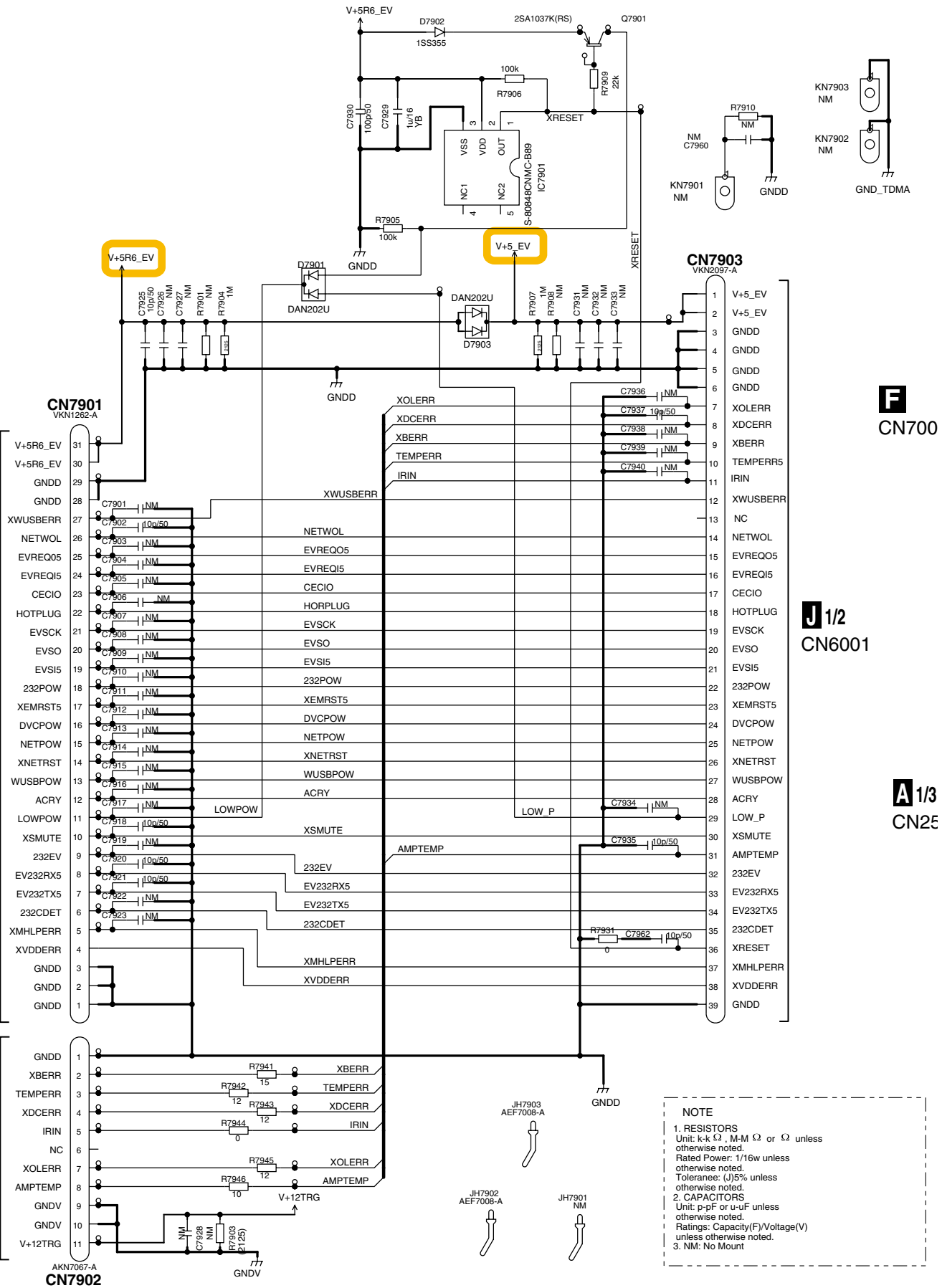
**NOTE**

- RESISTORS**  
Unit: k-kΩ, M-MΩ or Ω unless otherwise noted.  
Rated Power: 1/10w unless otherwise noted.  
Tolerance: (J)5% unless otherwise noted.  
MUF : RD1/4MUF  
3216 : RS1/4SA unless otherwise noted.
- CAPACITORS**  
Unit: p-pF or u-uF unless otherwise noted.  
Ratings: Capacity(F)/Voltage(V) unless otherwise noted.  
CFTLA : CFTLA  
3. NM: No Mount

The  $\Delta$  mark found on some component parts should be replaced with same parts (safety regulation authorized) of identical designation.



# 10.34 V-REG\_SS ASSY (1/2)



**NOTE**

- RESISTORS**  
Unit: k-k Ω, M-M Ω or Ω unless otherwise noted.  
Rated Power: 1/16w unless otherwise noted.  
Tolerance: (J)5% unless otherwise noted.
- CAPACITORS**  
Unit: p-pF or u-uF unless otherwise noted.  
Ratings: Capacity(F)/Voltage(V) unless otherwise noted.
- NM: No Mount**

**E** 2/11  
CN601

**F**  
CN7002

**R** 1/2  
68

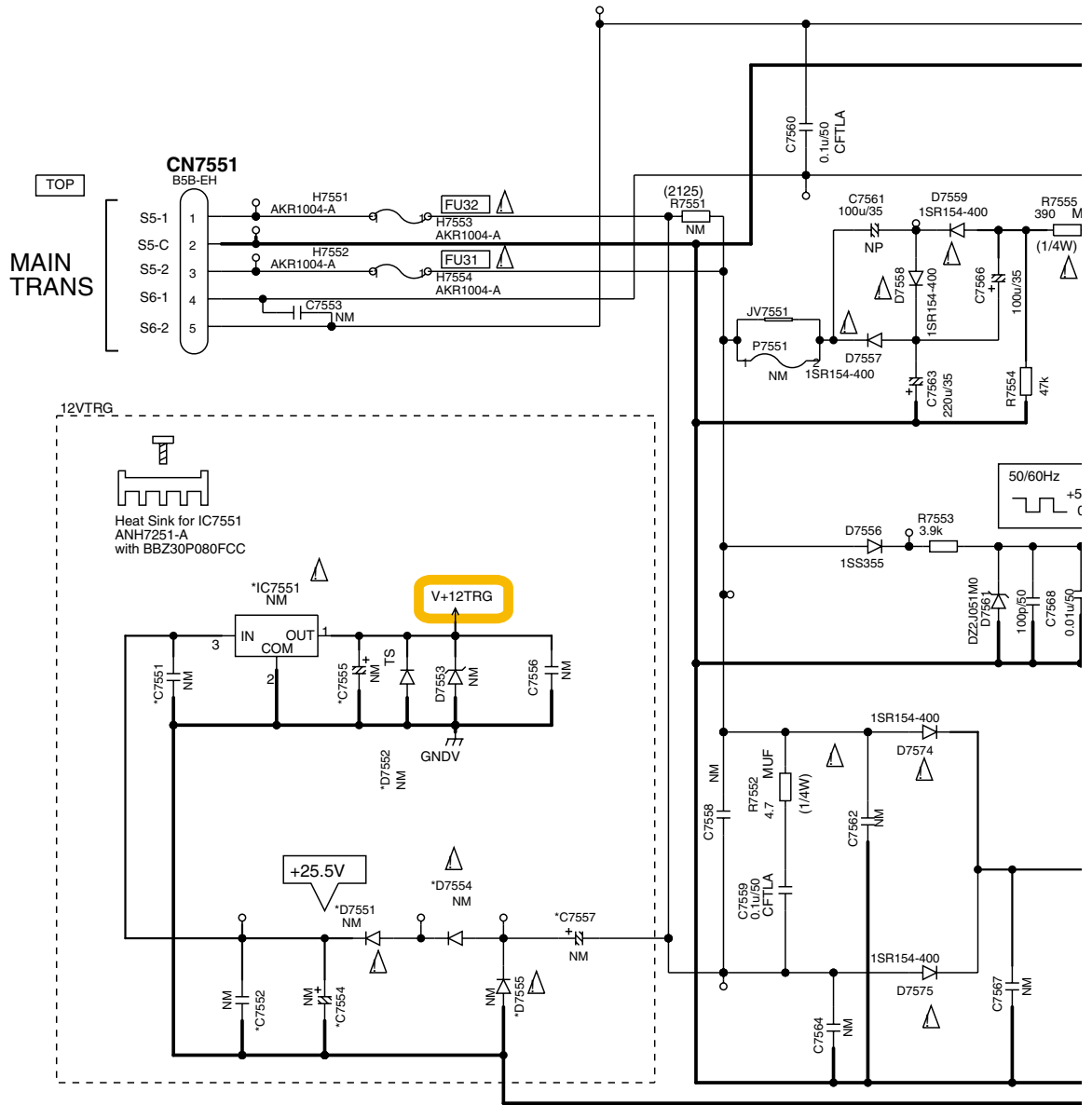
**F**  
CN700

**J** 1/2  
CN6001

**A** 1/3  
CN25



# 10.35 V-REG\_SS ASSY (2/2)



|        | AWX1604      | AWX1379/AWX1605 |
|--------|--------------|-----------------|
| C7551  | 0.01u/50     | NM              |
| C7552  | 0.01u/50     | NM              |
| C7554  | 470u/35      | NM              |
| C7555  | 10u/50       | NM              |
| C7557  | 1000u/35     | NM              |
| IC7551 | NJM78M12FA   | NM              |
| D7551  | 1SR154-400   | NM              |
| D7552  | 1SS355       | NM              |
| D7554  | 1SR154-400   | NM              |
| D7555  | 1SR154-400   | NM              |
|        | ANH7251-A    | NM              |
|        | BBZ30P080FCC | NM              |

## NOTE

### 1.RESISTORS

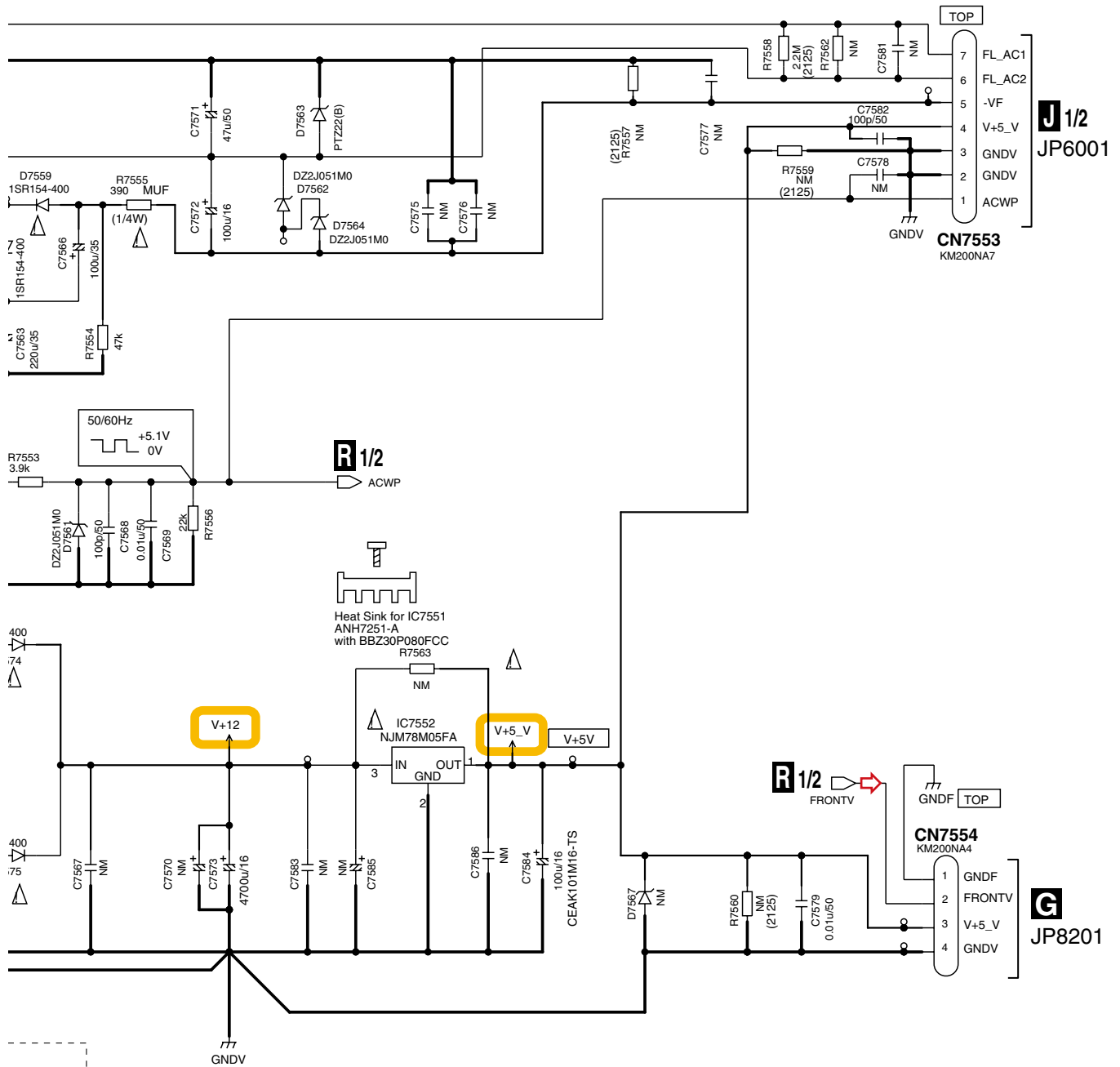
Unit: k-k Ω, M-M Ω or Ω unless otherwise noted.  
 Rated power: 1/10W unless otherwise noted.  
 Tolerance: (J) ± 5% unless otherwise noted.  
 2125: RS1/8SQ  
 MUF: RS1/4MUF

### 2.CAPACITORS

Unit: p-pF, or μ F unless otherwise noted.  
 Ratings: Capacity(μ F)/Voltage(V) unless otherwise noted.  
 NP: CEANP  
 CFTLA: CFTLA  
 AK: CEAK  
 NO MARKED: CEAT or CKSRYB

### 3. NM: NO MOUNT

**R2/2 V-REG SS ASSY(2/2)**  
**(SC-71 : AWX1604)**  
**(SC-1228-K, SC-1223-K : AWX1605)**

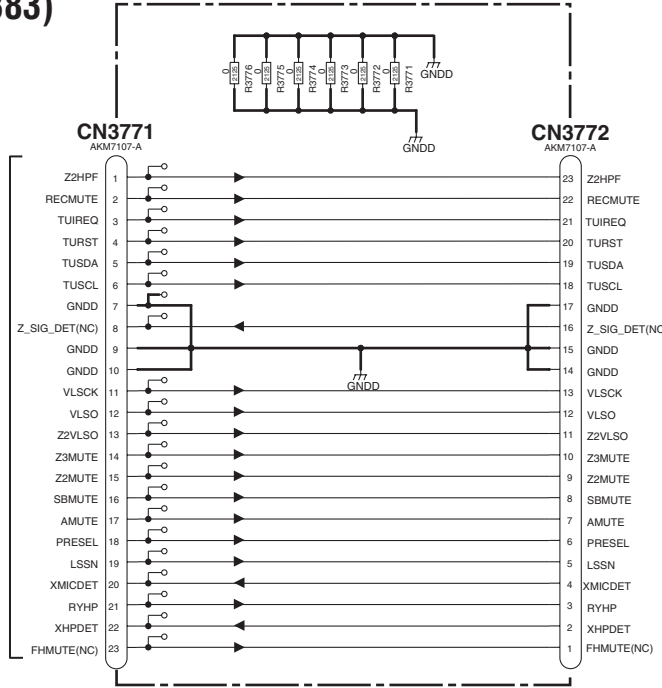


➡: Video Signal Route

The  $\Delta$  mark found on some component parts should be replaced with same parts (safety regulation authorized) of identical designation.

10.36 D-AUDIO BRIDGE1\_SS ASSY and D-AUDIO BRIDGE2\_SS ASSY

**S** D-AUDIO BRIDGE1\_SS ASSY (AWX1383)

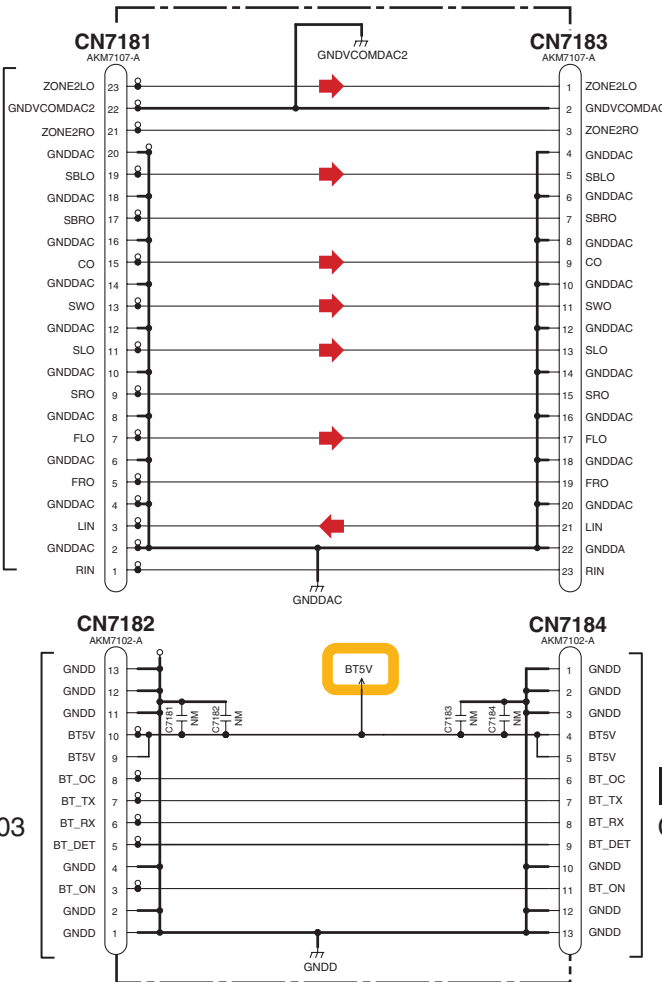


**E** 7/11  
CN1502

**A** 1/3  
CN2861

**NOTE**  
1. RESISTORS  
Unit: k- $\Omega$ , M-M  $\Omega$  or  $\Omega$  unless otherwise noted.  
Rated Power: 1/10w unless otherwise noted.  
Tolerance: (J)5% unless otherwise noted.  
2. CAPACITORS  
Unit: p-pF or u-uF unless otherwise noted.  
Ratings: Capacity(F)/Voltage(V) unless otherwise noted.  
CH - CCSR04  
NO MARKED : CKSRVB  
3. NM: No Mount

**T** D-AUDIO BRIDGE2\_SS ASSY (AWX1384)



**E** 7/11  
CN1801

**A** 3/3  
CN5501

**NOTE**  
1. RESISTORS  
Unit: k-k $\Omega$ , M-M $\Omega$  or  $\Omega$  unless otherwise noted.  
Rated Power: 1/10w unless otherwise noted.  
Tolerance: (J)5% unless otherwise noted.  
2. CAPACITORS  
Unit: p-pF or u-uF unless otherwise noted.  
Ratings: Capacity(F)/Voltage(V) unless otherwise noted.  
3. NM: No Mount

**E** 7/11  
CN1503

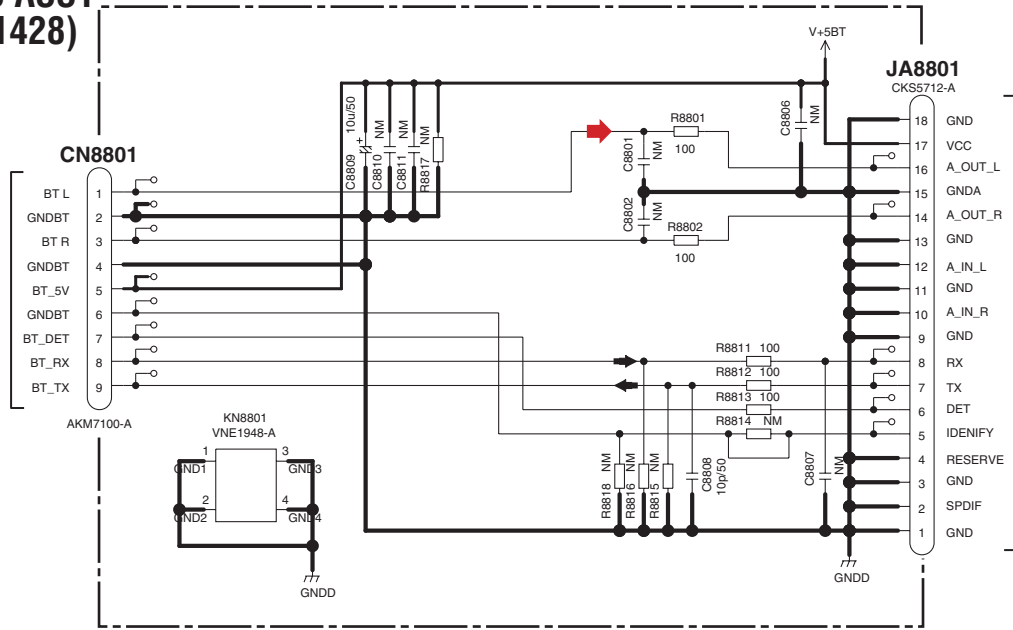
**A** 3/3  
CN5502

➔ : Audio Signal Route

10.37 BT\_SS, B TO B LOCK\_SS, MIC HP GUARD, P WIRE GUARD\_SS, FFC GUARD\_SS, TRANS VREG STYL\_SS and PANEL GUARD ASSYS

**U** BT\_SS ASSY (AWX1428)

**A** 3/3  
CN5503



➔: Audio Signal Route

**NOTE**  
 1. RESISTORS  
 Unit: k-kΩ, M-MΩ or Ω unless otherwise noted.  
 Rated Power: 1/16w unless otherwise noted.  
 Tolerance: (J)5% unless otherwise noted.  
 2. CAPACITORS  
 Unit: p-pF or u-uF unless otherwise noted.  
 Ratings: Capacity(F)/Voltage(V) unless otherwise noted.  
 YB:CKSRYB, QYB:CKSQYB,SYB:CKSYB, CH:CCSRCH  
 HAT:CEHAT, ZL:CEHAZL  
 3. NM: No Mount

The Δ mark found on some component parts should be replaced with same parts (safety regulation authorized) of identical designation.

| 1608 SIZE                | 2125 SIZE                        | 3216 SIZE                       |
|--------------------------|----------------------------------|---------------------------------|
| RS1/16S***<br>RN1/16S*** | RS1/10S***<br>RS1/8SQ***<br>1/8W | RS1/8S***<br>RS1/4SA***<br>1/4W |
| CCSR***<br>CKSR***       | CCSQ***<br>CKSQ***               | CCS***<br>CKS***                |

**V** B TO B LOCK\_SS ASSY (AWX1375)

**Z** TRANS VREG STYL\_SS ASSY (AWX1382)

**W** MIC HP GUARD ASSY (AWX1397)

**AA** PANEL GUARD ASSY (AWX1399)



**X** P WIRE GUARD\_SS ASSY (AWX1376)

**Y** FFC GUARD\_SS ASSY (AWX1385)

**U V W X Y Z AA**

**U V W X Y Z AA**







SIDE B

A

# A AUDIO\_SS ASSY

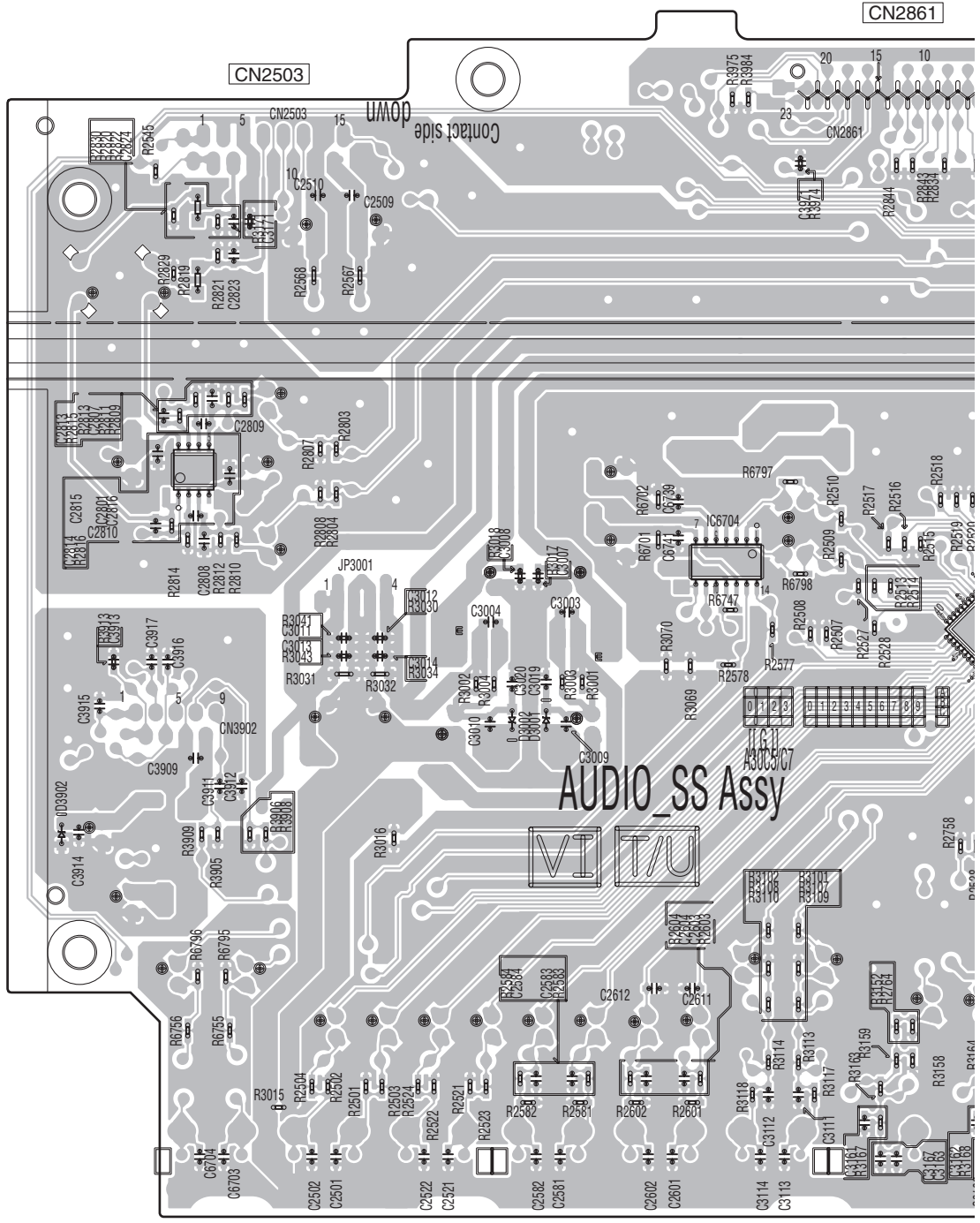
B

C

D

E

F



Q  
IC

IC2801

IC6704

# A









# 11.3 DIGITAL MAIN\_L ASSY

**SIDE A**

**E** DIGITAL MAIN\_L ASSY

**R** CN7901

**S** CN3771

**B** JA8003

CN601

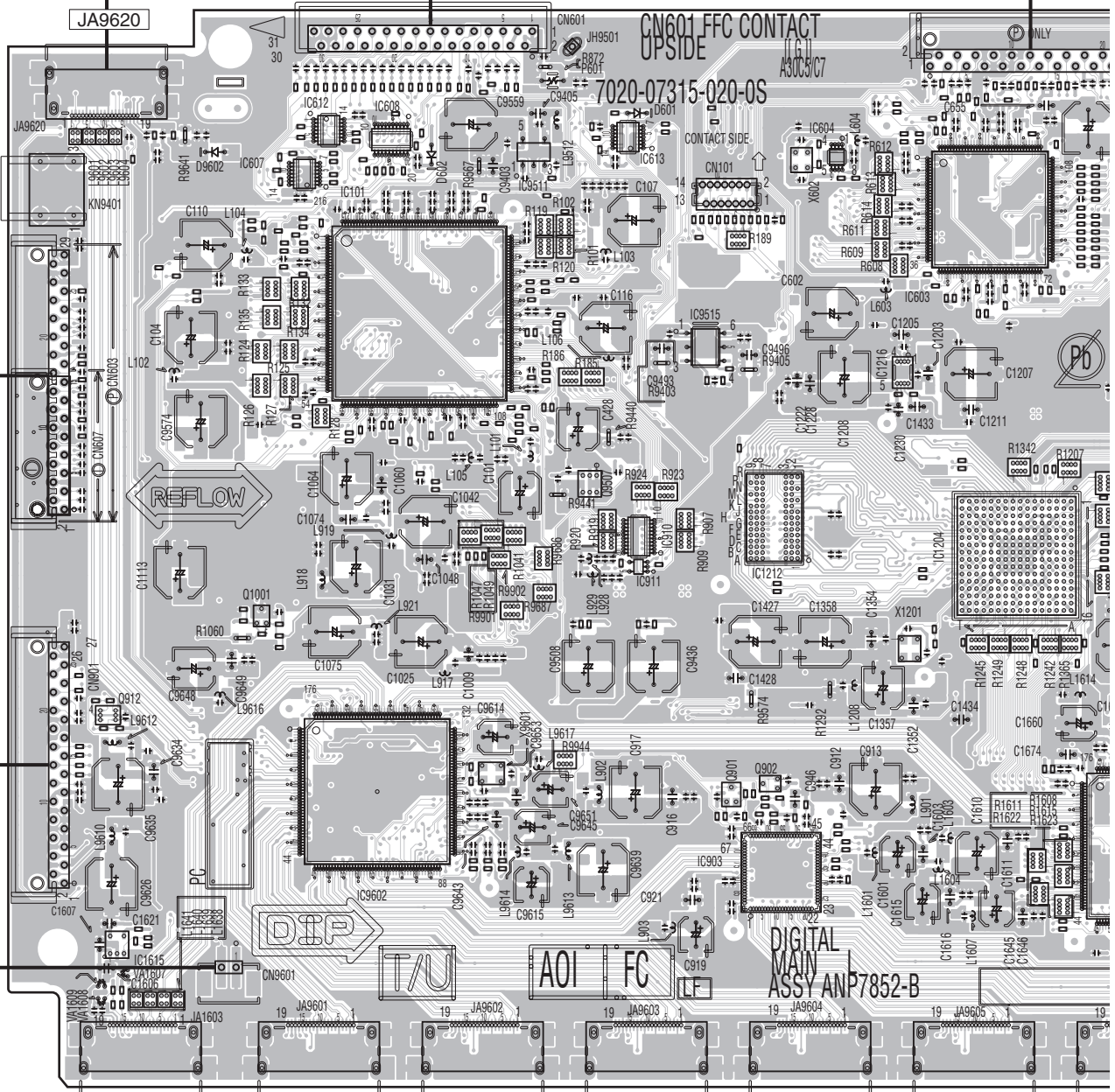
CN1502

JA9620

CN601 FFC CONTACT  
UPSIDE

7020-07315-020-0S

A  
B  
C  
D  
E



|      |                                |        |                   |                     |
|------|--------------------------------|--------|-------------------|---------------------|
| Q912 | Q1001                          | Q9507  | Q901              | Q902                |
| IC   | IC607 IC612 IC608 IC101 IC9602 | IC9511 | IC613 IC910 IC911 | IC9515 IC1212 IC903 |
|      | IC1615                         |        | IC604             | IC1216 IC603 IC1204 |

F

**E**







SIDE B

A

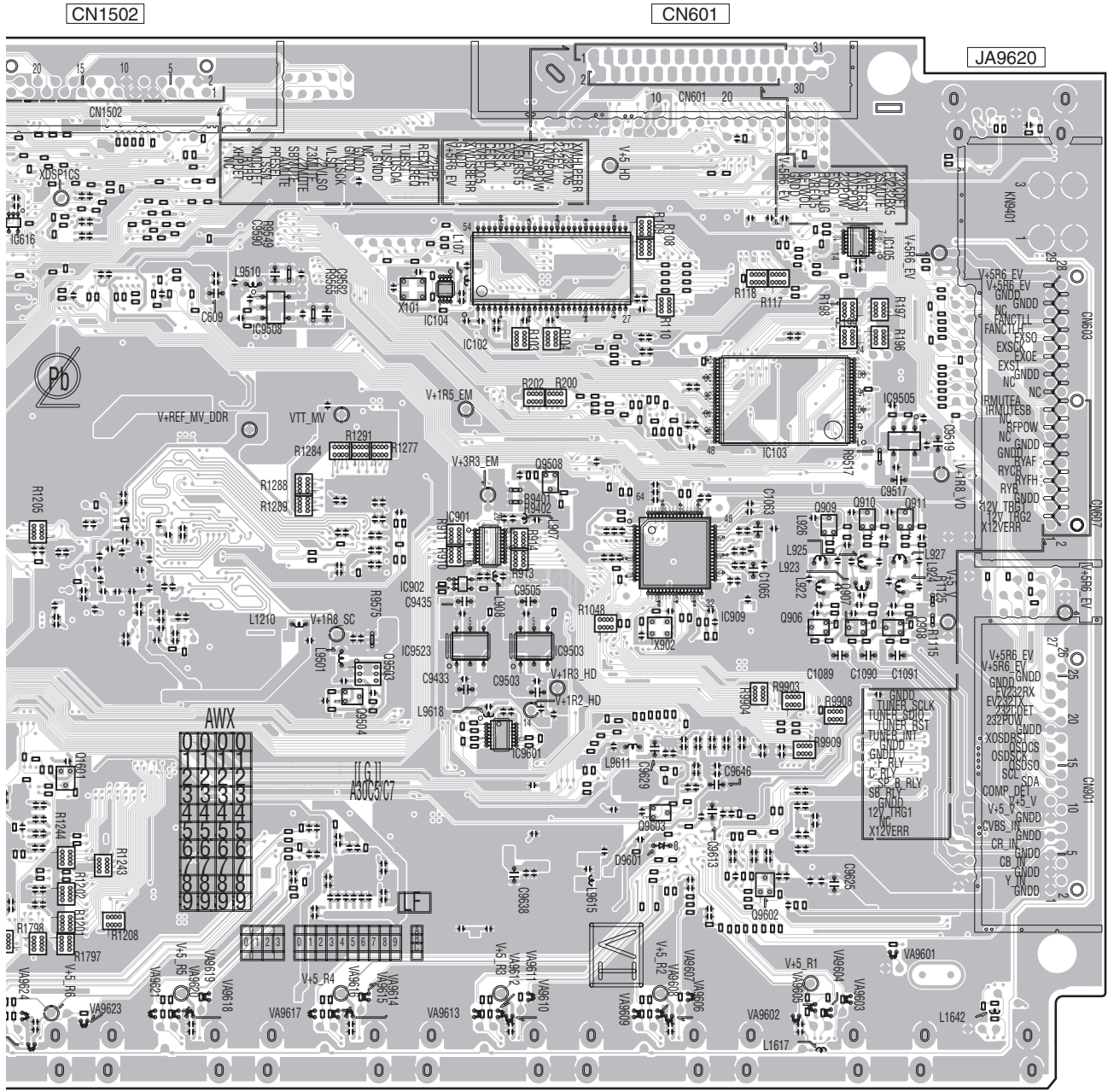
B

C

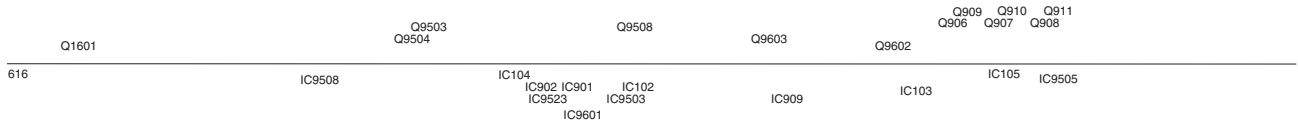
D

E

F



(ANP7852-B)







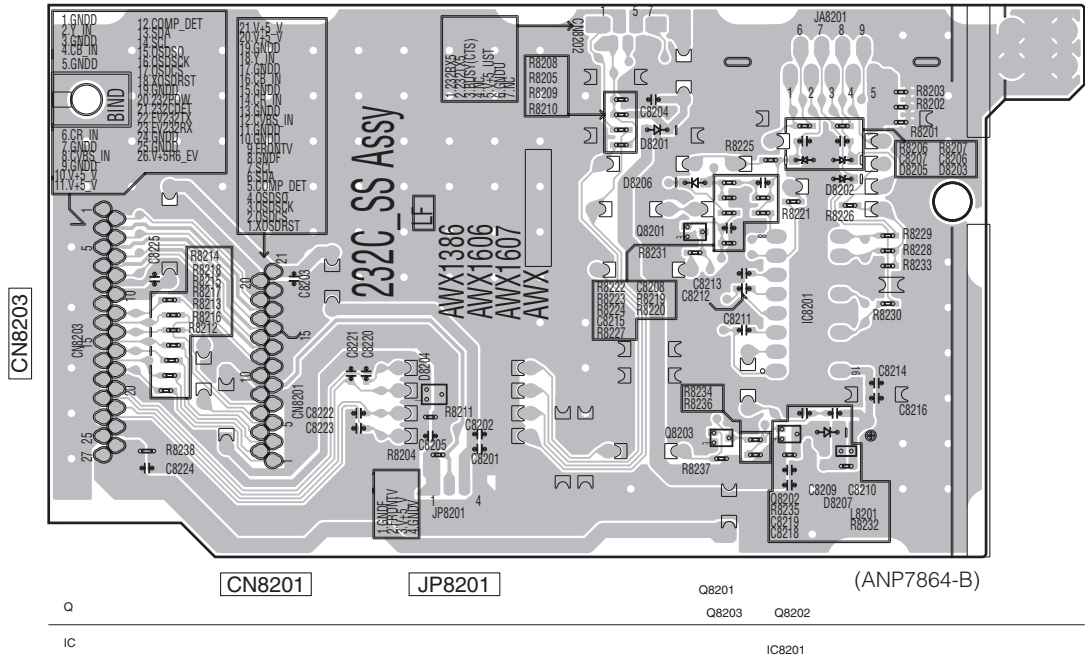




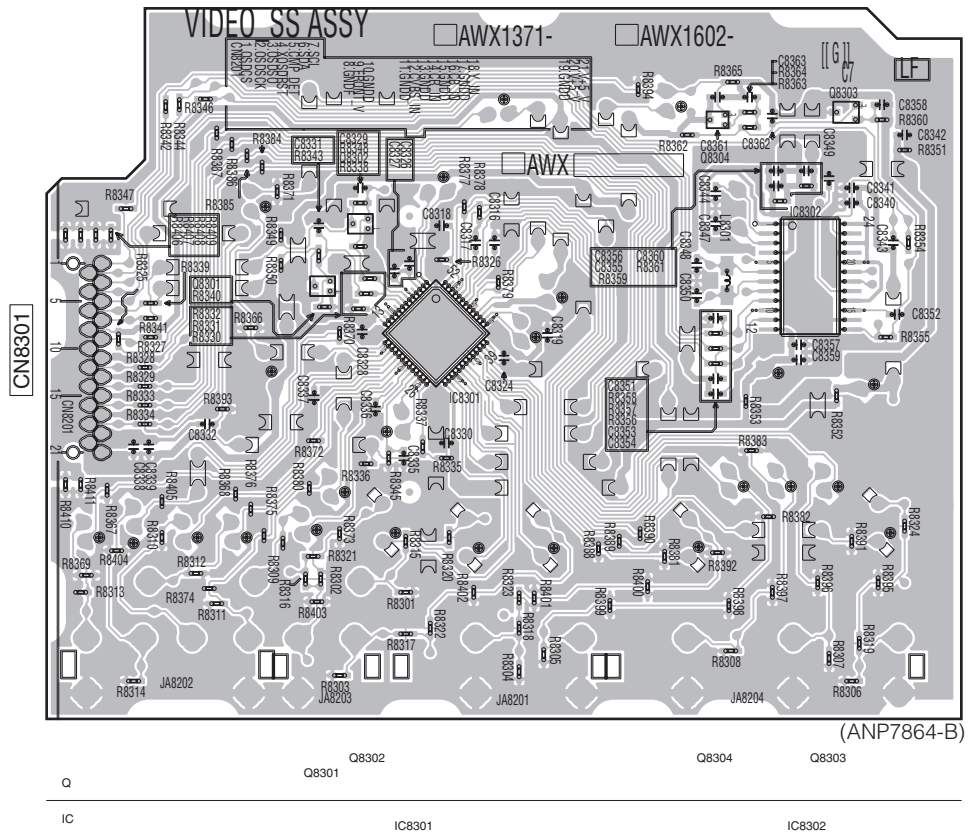
SIDE B

SIDE B

### G 232C\_SS ASSY



### H VIDEO\_SS ASSY



G H

G H





**SIDE B**

**J DISPLAY ASSY**

A

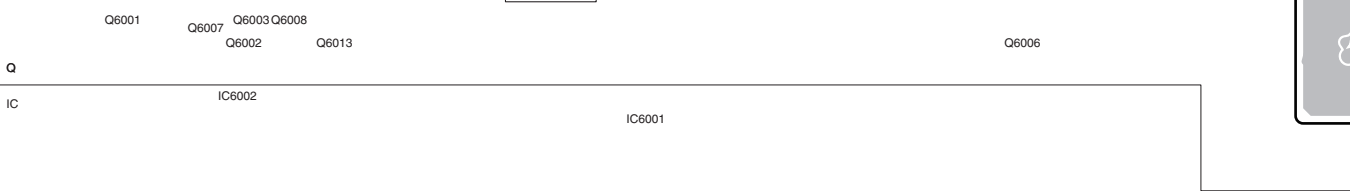
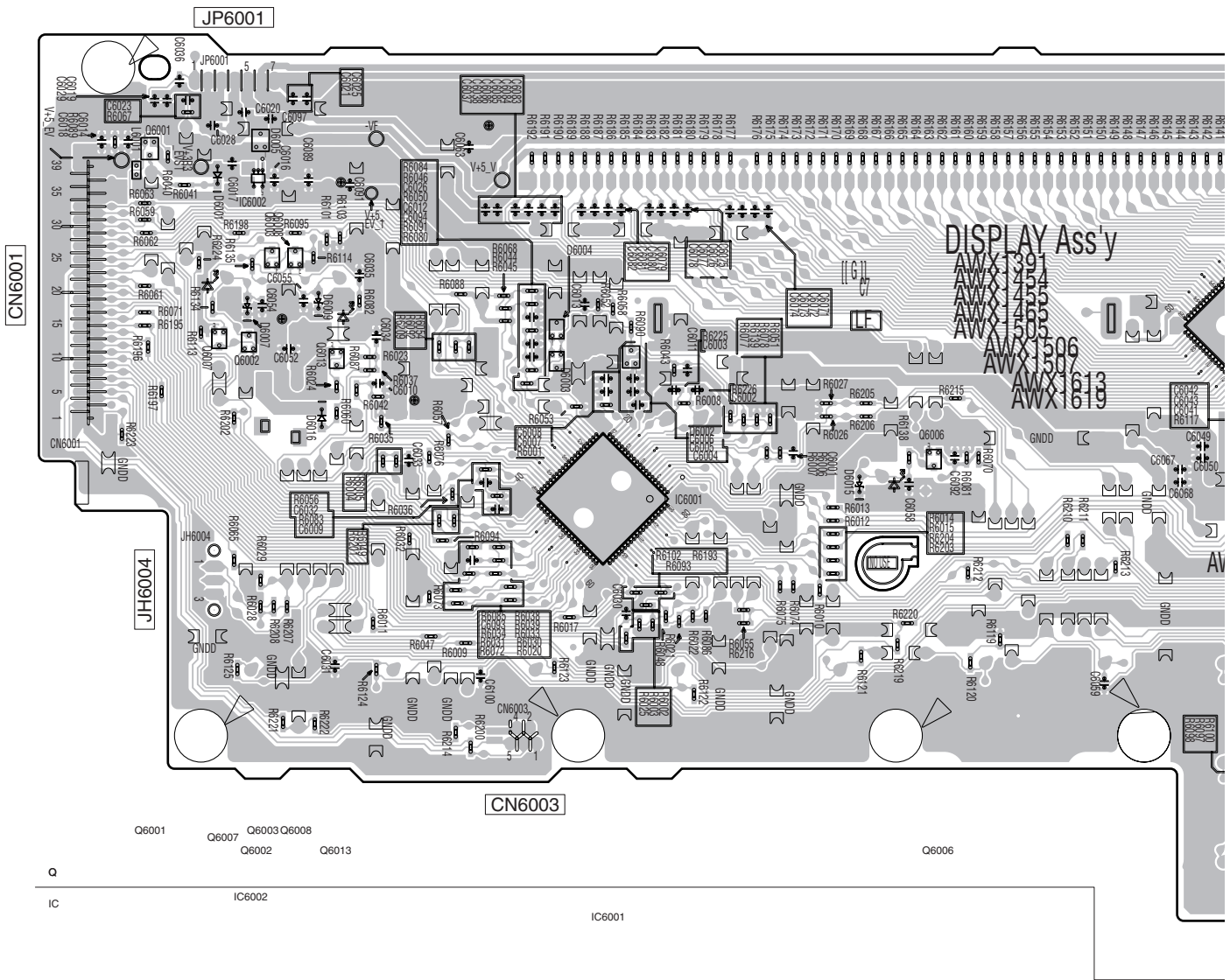
B

C

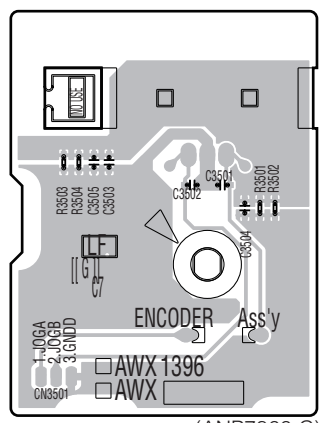
D

E

F



**M ENCODER ASSY**



CN3501 (ANP7866-C)

**J M**



**SIDE B**

A

B

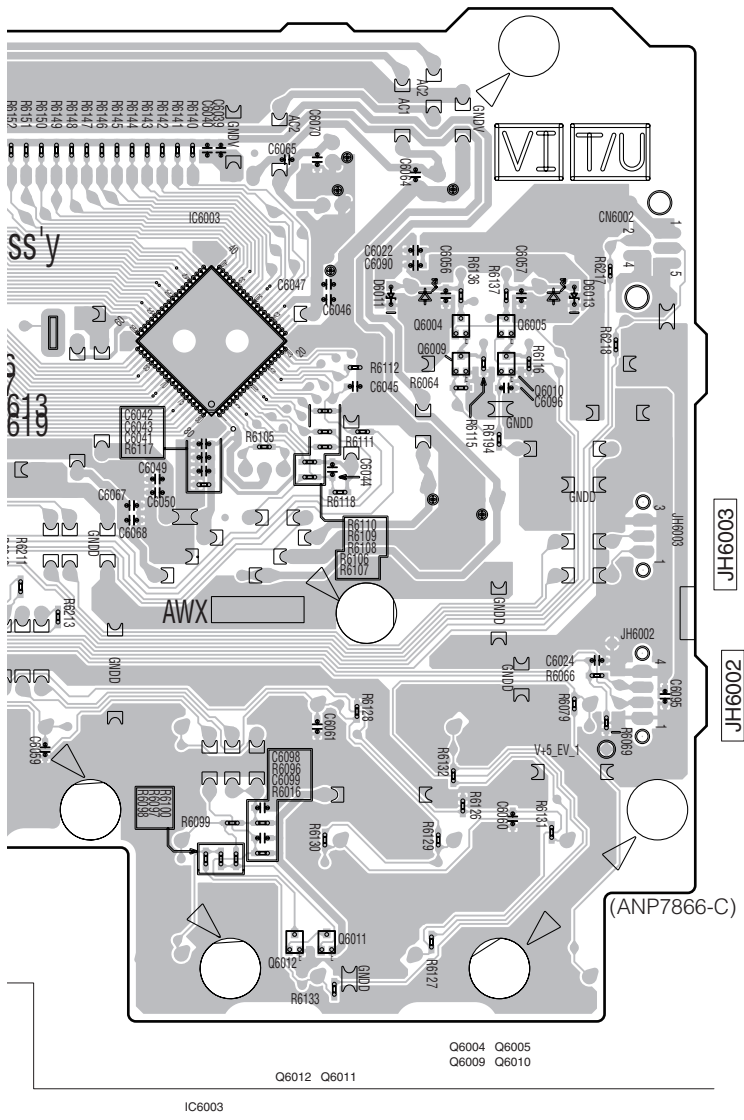
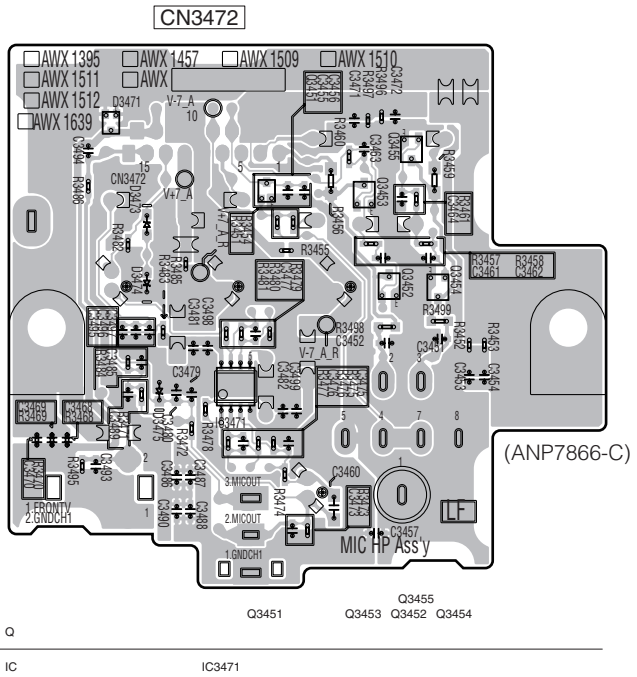
C

D

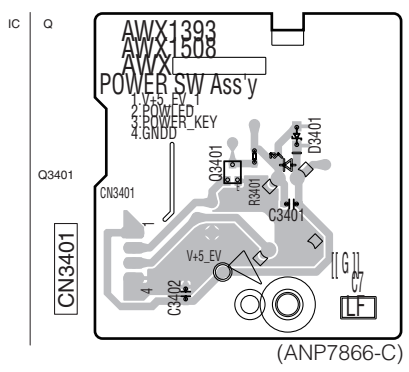
E

F

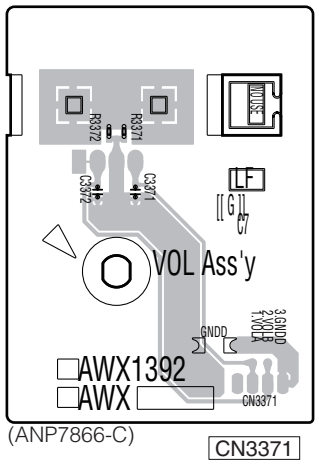
# I MIC HP ASSY



# L POWER SW ASSY



# K VOL ASSY



**I J K L**

# 11.7 IR BUFFER\_SS ASSY

SIDE A

SIDE A

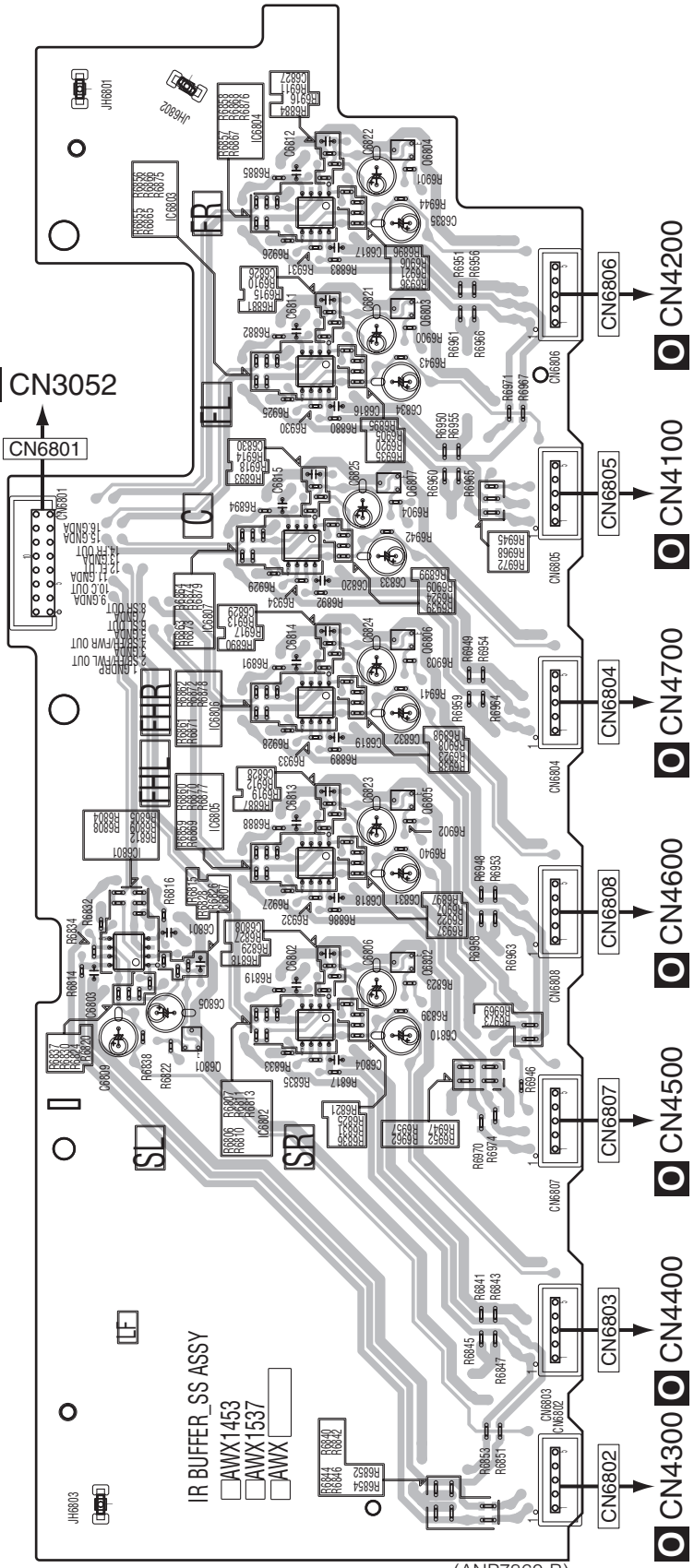
## IR BUFFER\_SS ASSY

IC Q

Q6804  
IC6804  
Q6803  
IC6803  
Q6807  
IC6807  
Q6806  
IC6806  
Q6805  
IC6805  
Q6802  
IC6801  
Q6801  
IC6802

**A** CN3052

CN6801



CN6806  
CN4200  
CN6805  
CN4100  
CN6804  
CN4700  
CN6808  
CN4600  
CN6807  
CN4500  
CN6803  
CN4400  
CN6802  
CN4300

(ANP7860-B)

**N**

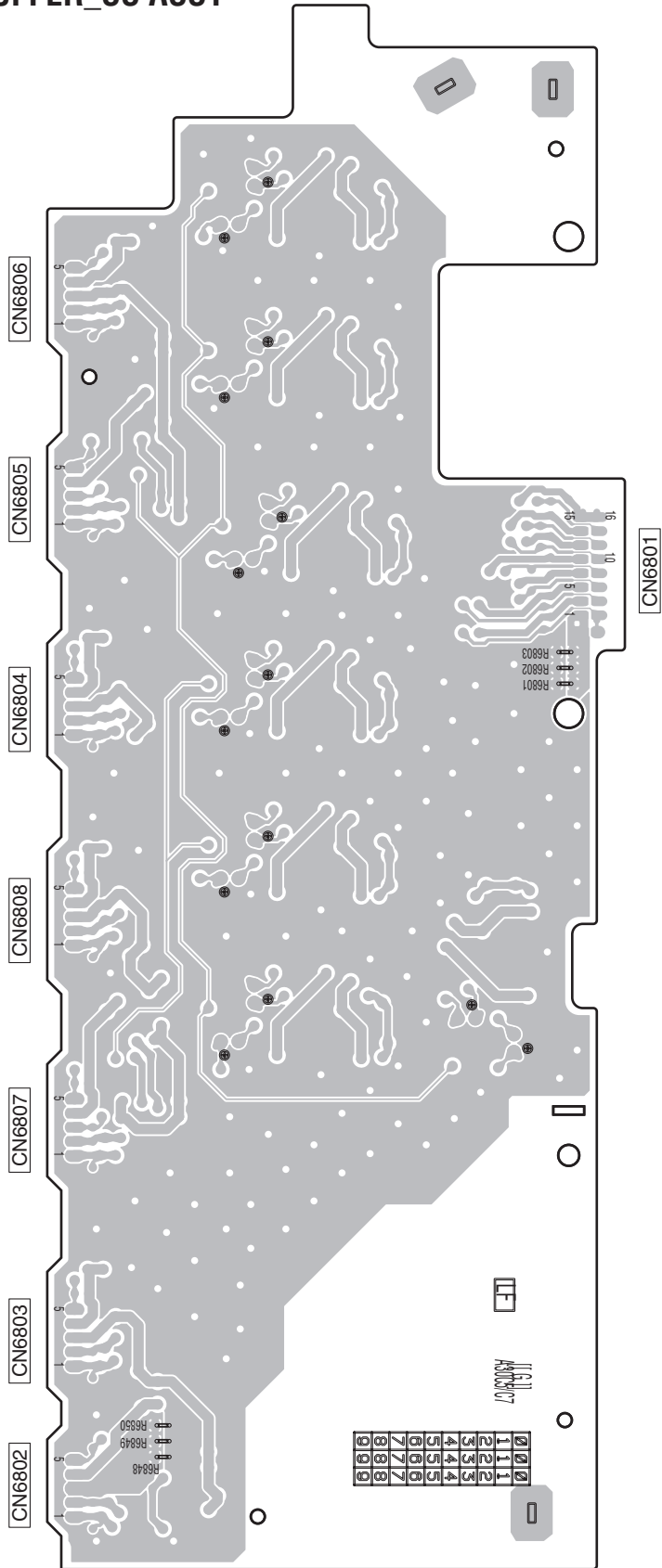
**N**

SIDE B

SIDE B

# N IR BUFFER\_SS ASSY

A  
B  
C  
D  
E  
F



(ANP7860-B)

N

N

SC-71

# 11.8 D-AMP\_SS ASSY

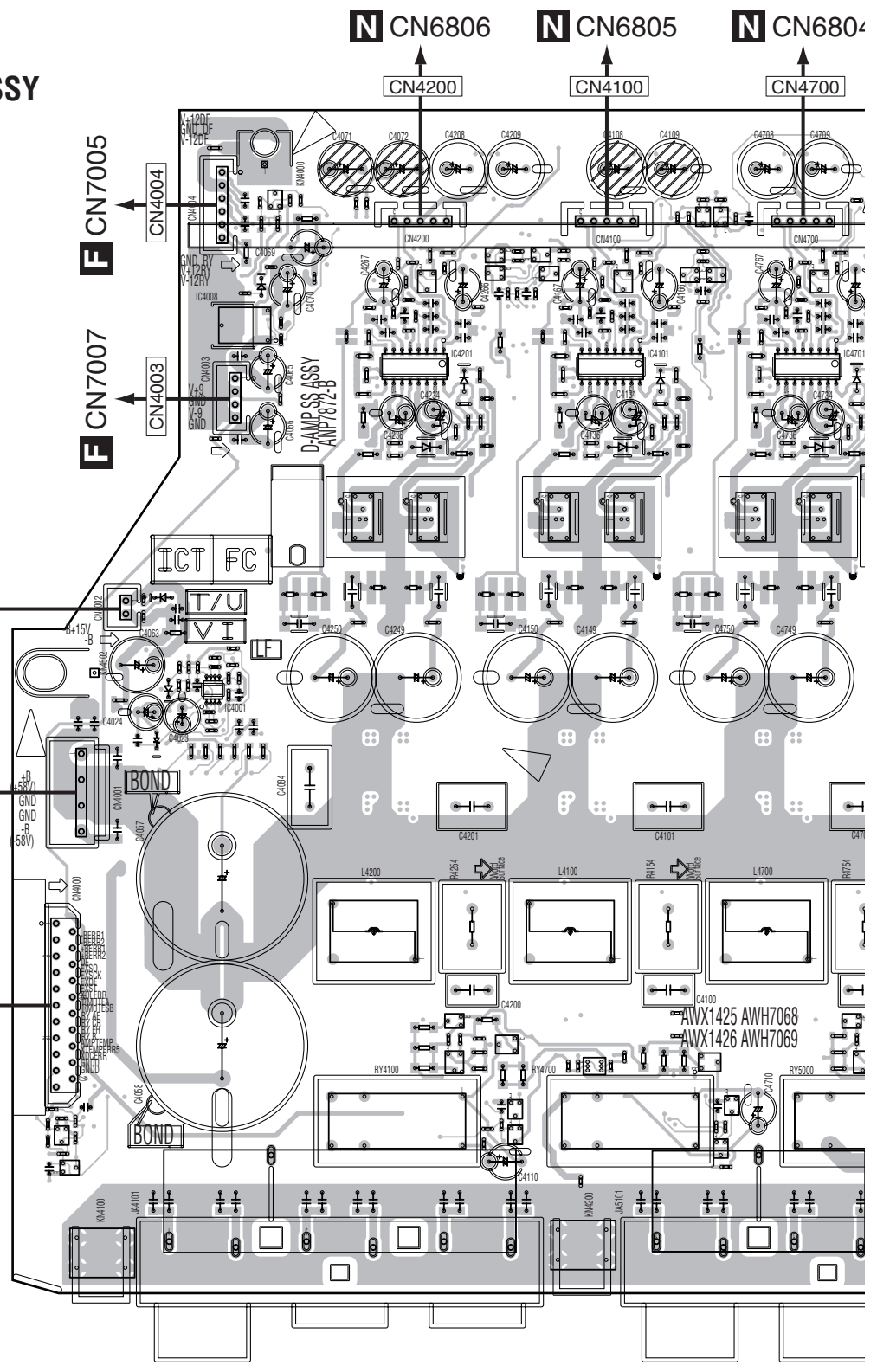
**SIDE A**

**D-AMP\_SS ASSY**

A  
B  
C  
D  
E  
F

1 2 3 4

IC IC4008 IC4001 IC4201 IC4101 IC4701



1 2 3 4

SIDE A

A

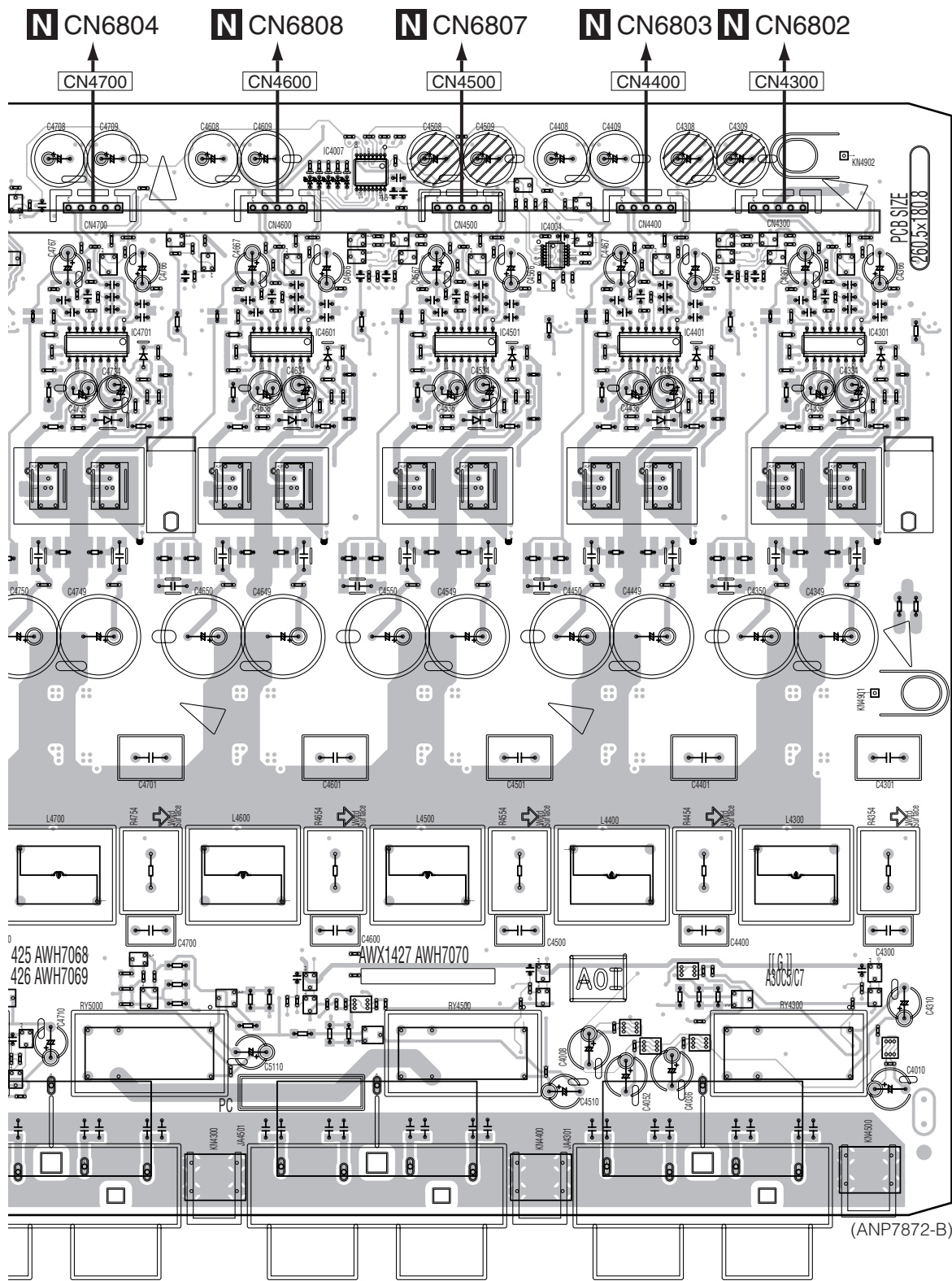
B

C

D

E

F



IC4701

IC4601

IC4007

IC4501

IC4004

IC4401

IC4301



**SIDE B**

A

# D-AMP\_SS ASSY

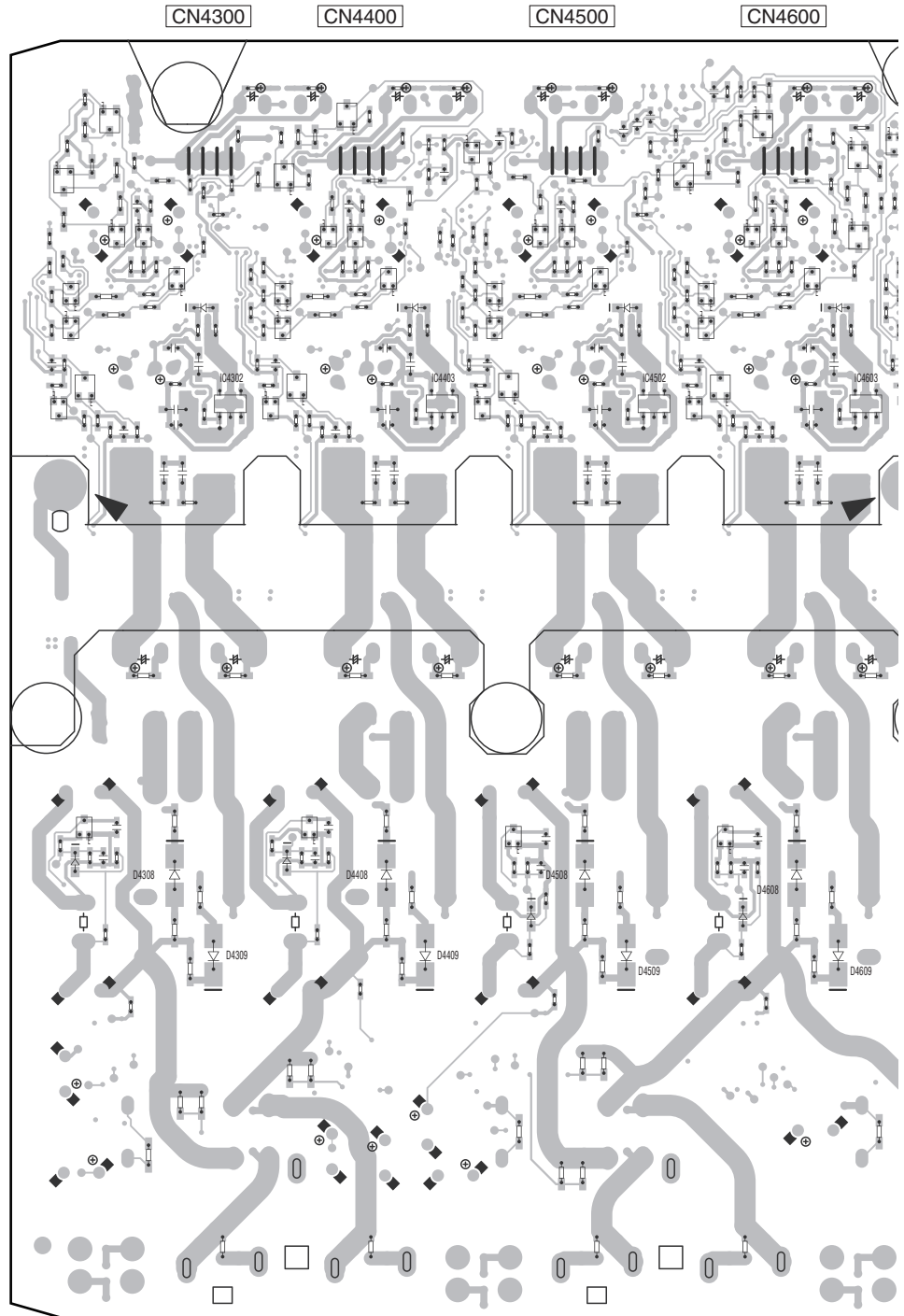
B

C

D

E

F



Q

IC

IC4302

IC4403

IC4502

IC4603





**SIDE B**

A

B

C

D

E

F

CN4600

CN4700

CN4100

CN4200

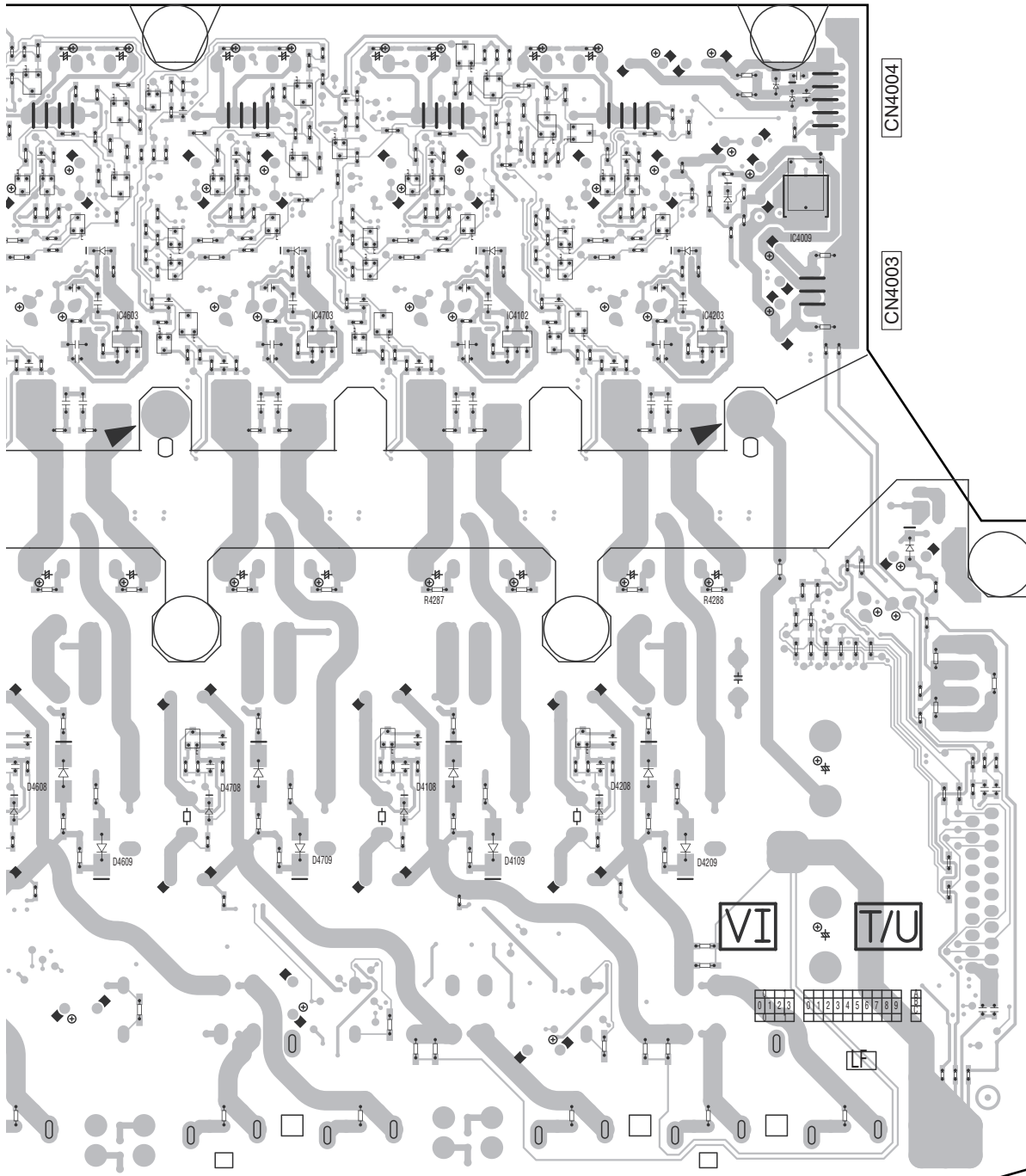
CN4004

CN4003

CN4002

CN4001

CN4000



(ANP7872-B)

IC4603

IC4703

IC4102

IC4203

IC4009

SC-71



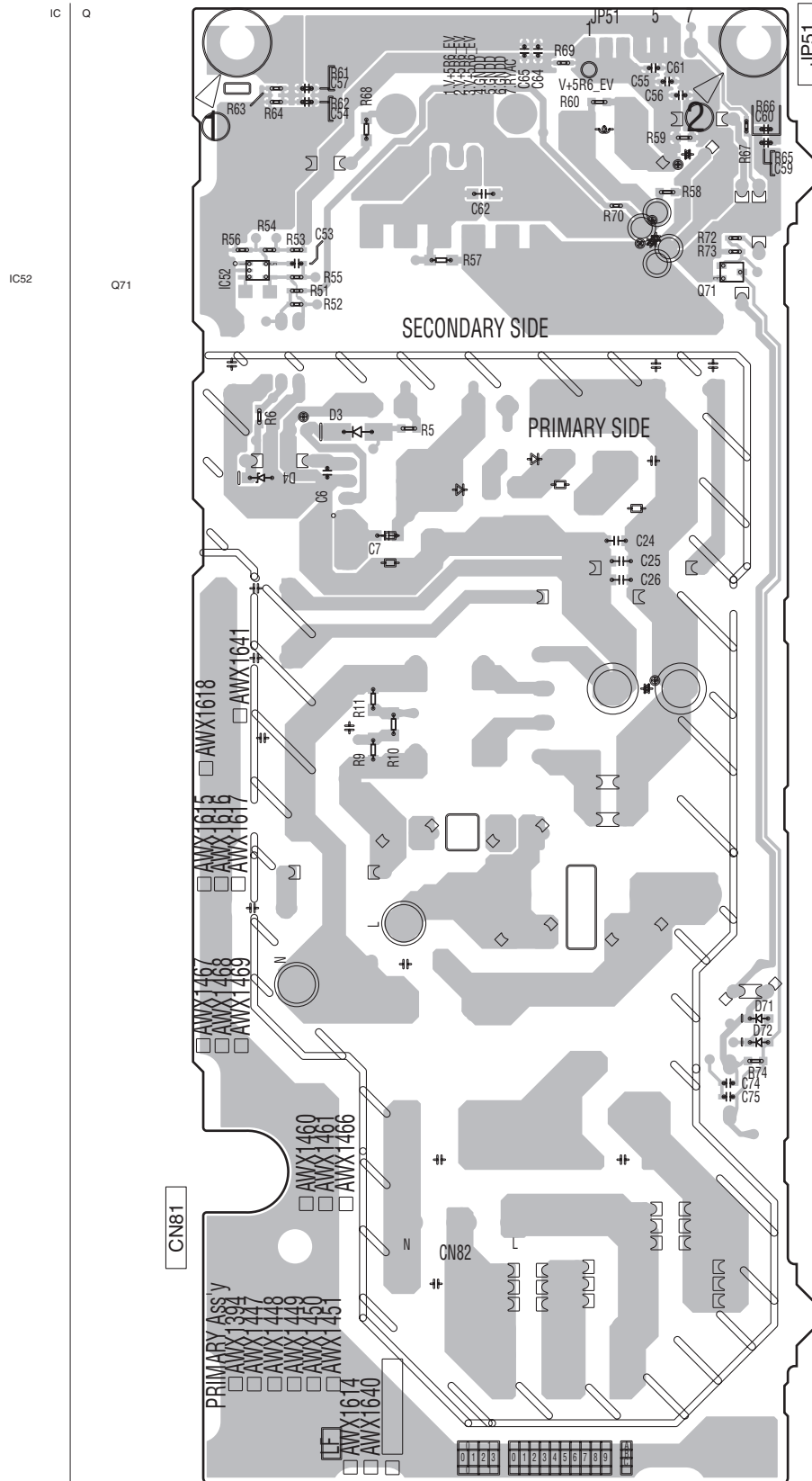




SIDE B

SIDE B

# P PRIMARY ASSY



(ANP7866-C)

P

P

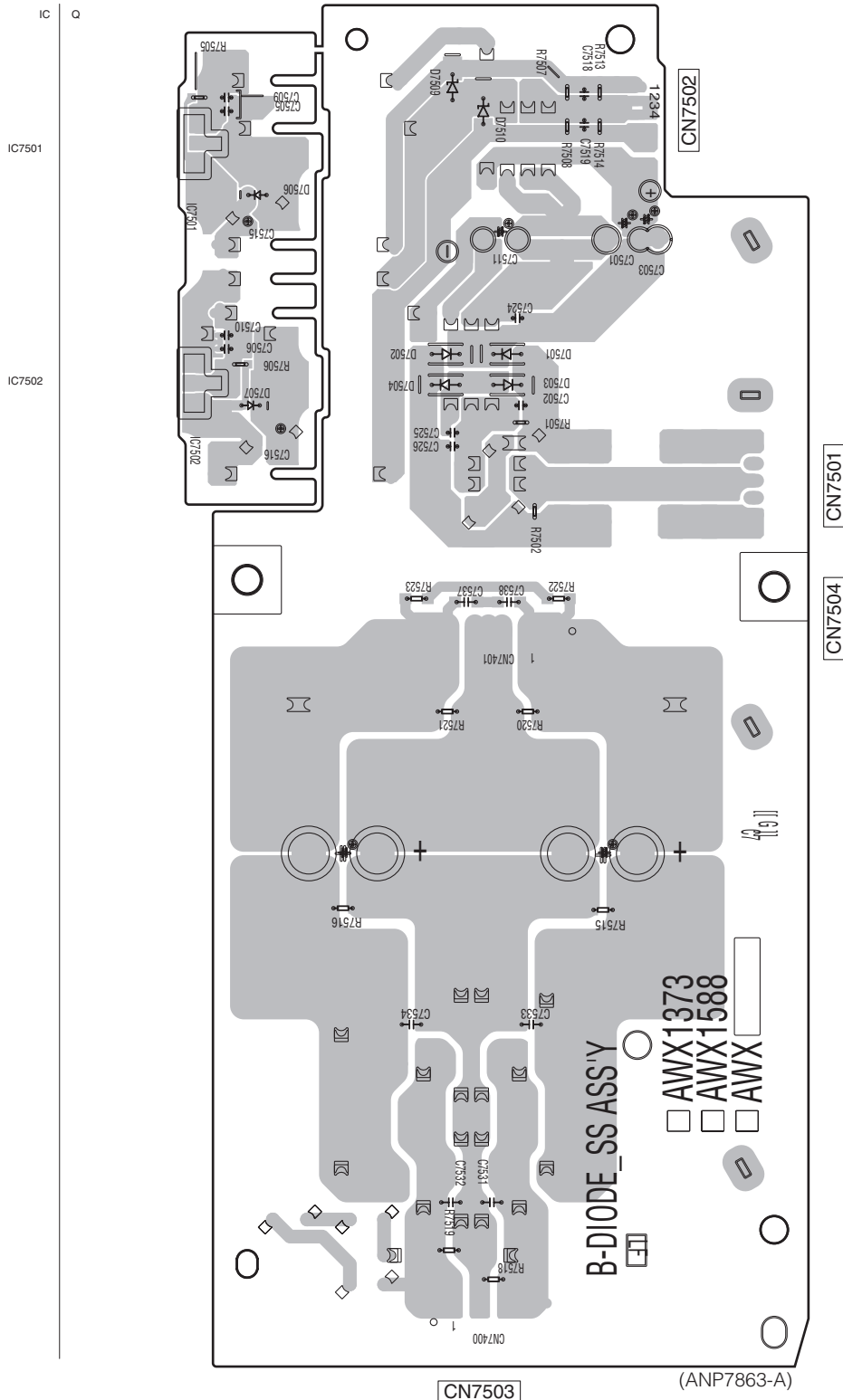
SC-71



SIDE B

SIDE B

# Q B-DIODE\_SS ASSY



A  
B  
C  
D  
E  
F





**SIDE A**

A

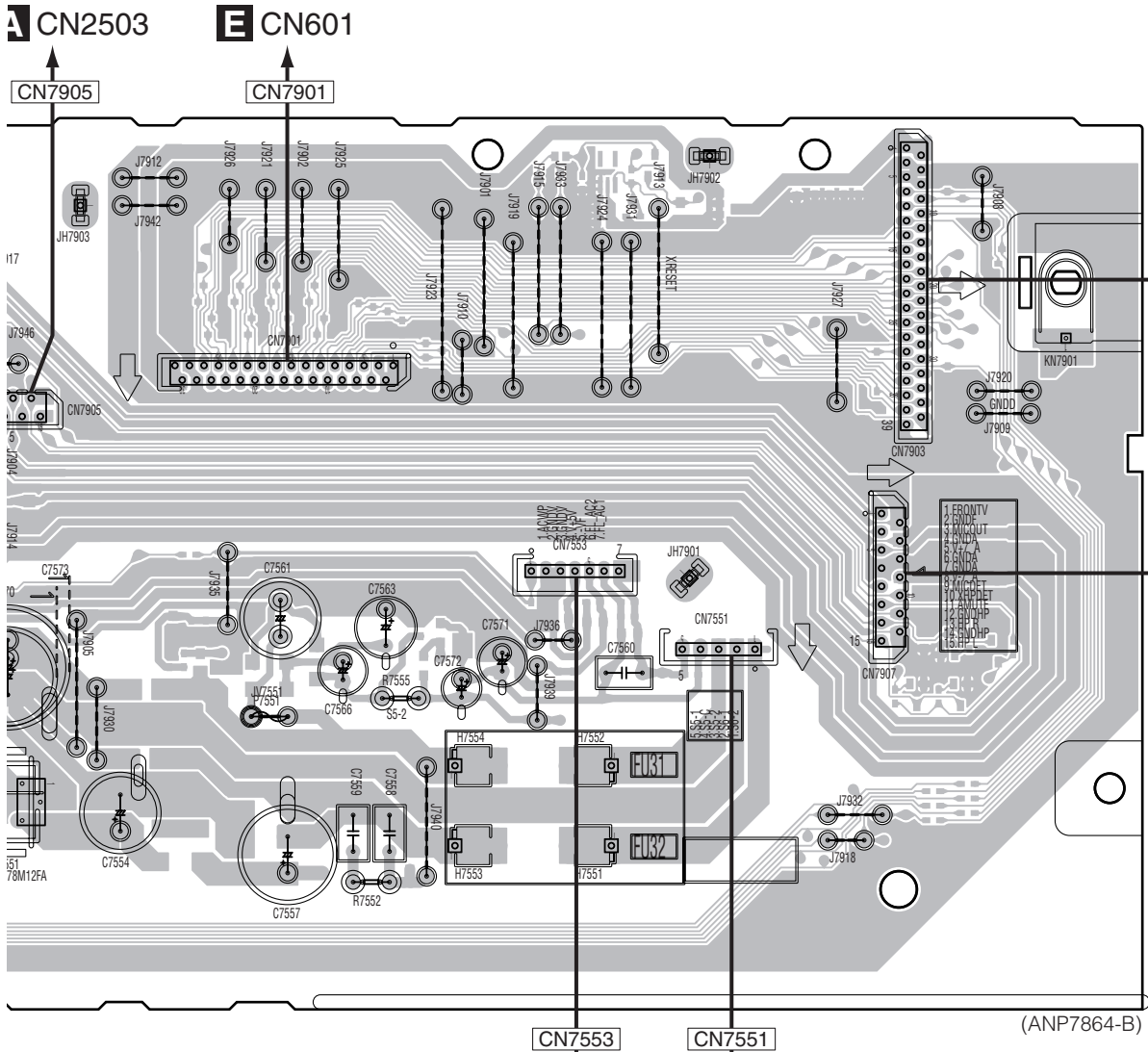
B

C

D

E

F

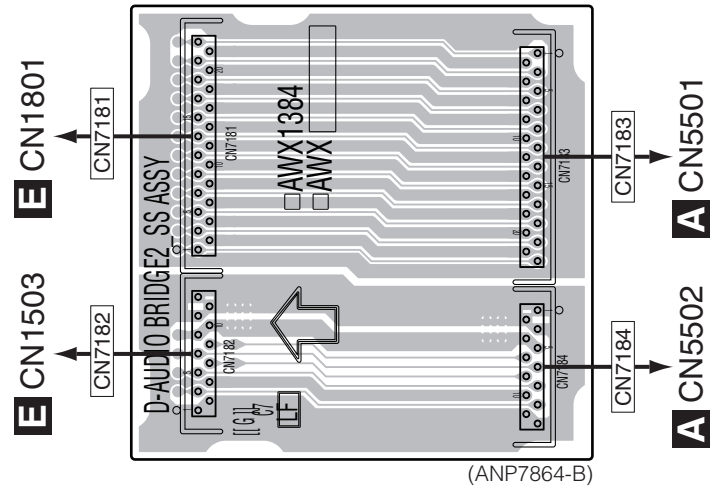


**J** CN6001

**I** CN3472

**J** JP6001 MAIN TRANS

**T** D-AUDIO BRIDGE2\_SS ASSY



**E** CN1503

**E** CN1801

**A** CN5501

**A** CN5502

**R** **T**

SC-71

**SIDE B**

**R** V-REG\_SS ASSY

A

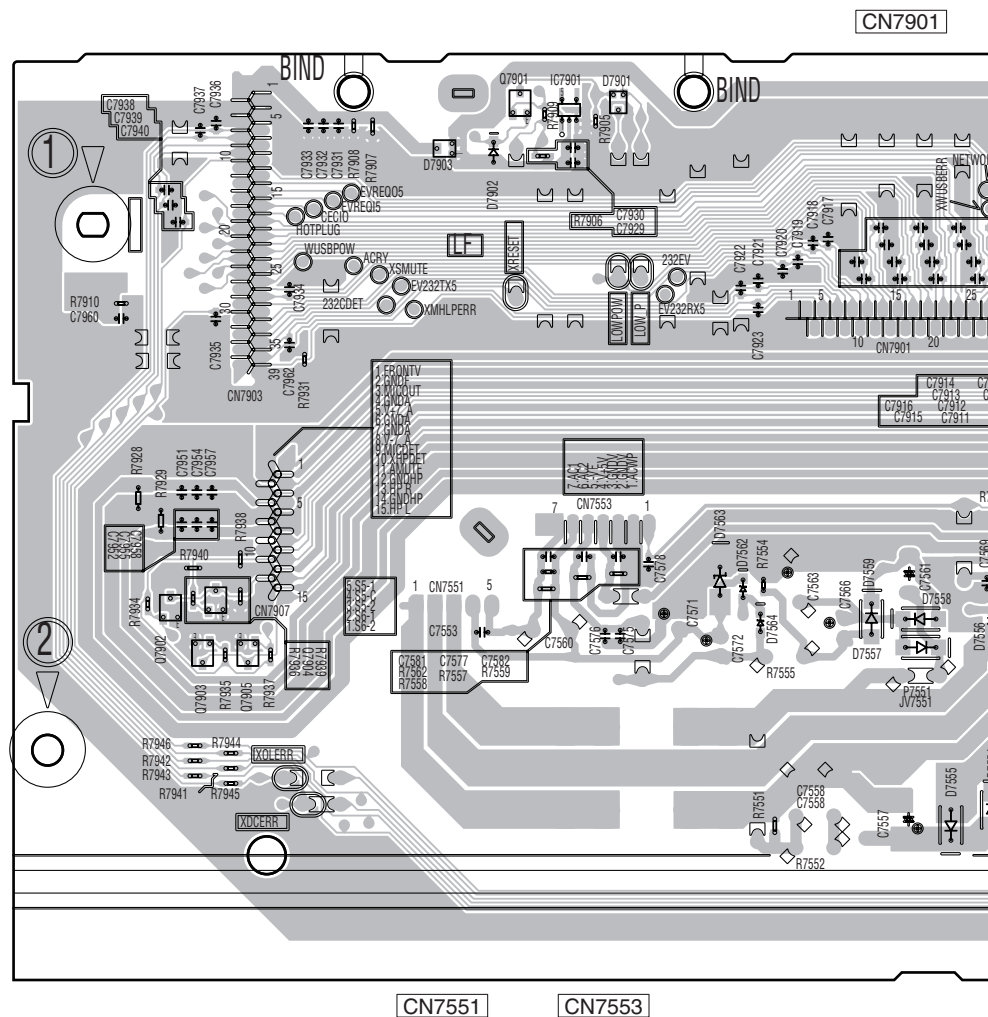
B

C

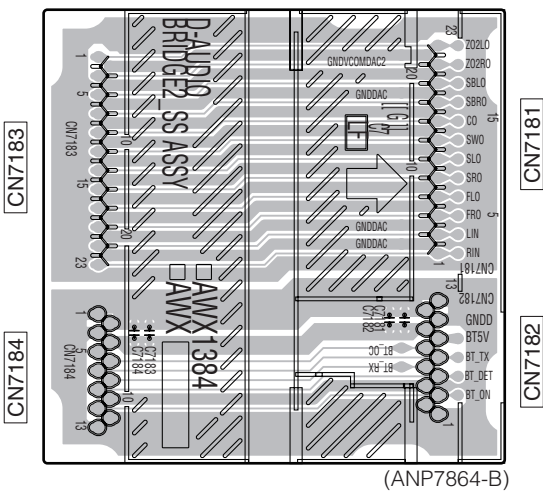
D

E

F



**T** D-AUDIO BRIDGE2\_SS ASSY



(ANP7864-B)

**R T**

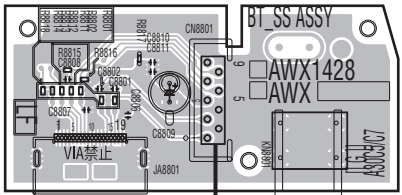


11.12 BT\_SS, B TO B LOCK\_SS, MIC HP GUARD, P WIRE GUARD\_SS, FFC GUARD\_SS, TRANS VREG STYL\_SS and PANEL GUARD ASSYS

**SIDE A**

**SIDE A**

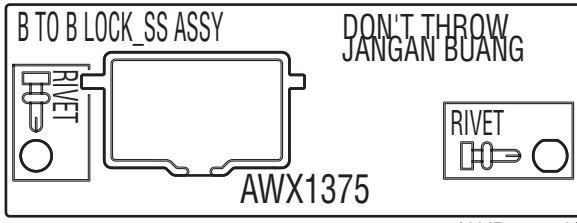
**U** BT\_SS ASSY



CN8801 (ANP7872-B)

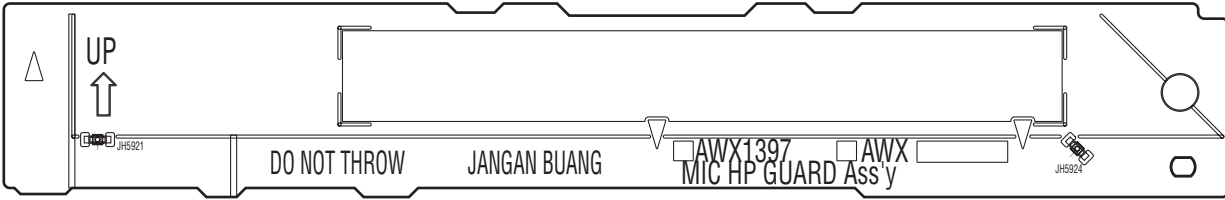
**A** CN5503

**V** B TO B LOCK\_SS ASSY



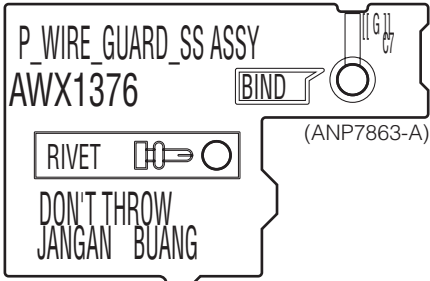
(ANP7863-A)

**W** MIC HP GUARD ASSY



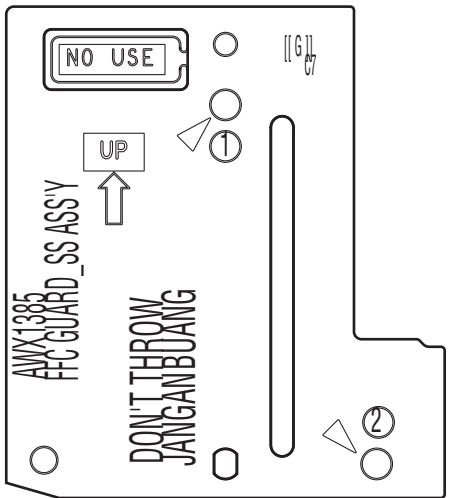
(ANP7866-C)

**X** P WIRE GUARD\_SS ASSY



(ANP7863-A)

**Y** FFC GUARD\_SS ASSY



(ANP7863-A)

**Z** TRANS VREG STYL\_SS ASSY



(ANP7863-A)

**AA** PANEL GUARD ASSY



(ANP7866-C)

**U V W X Y Z AA**

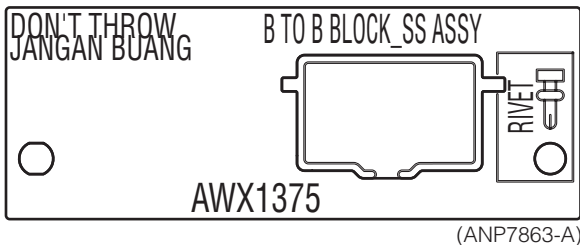
**U V W X Y Z AA**



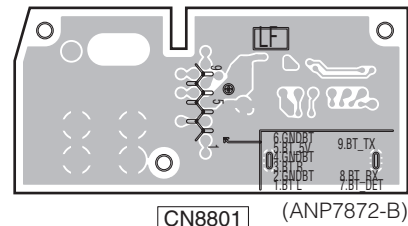
**SIDE B**

**SIDE B**

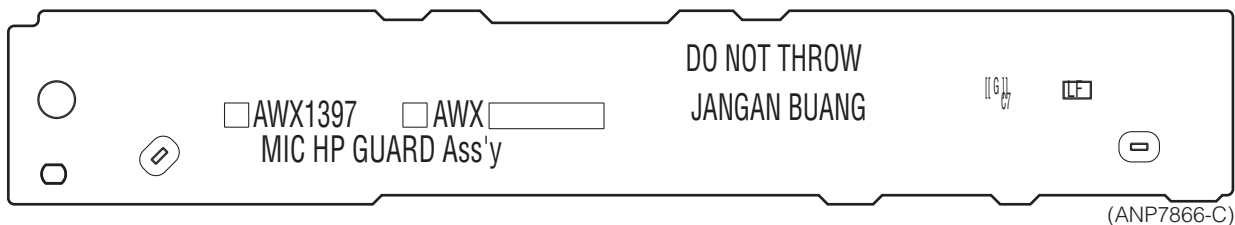
**V B TO B LOCK\_SS ASSY**



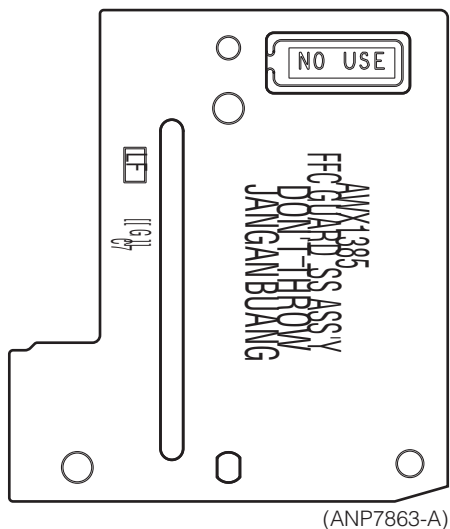
**U BT\_SS ASSY**



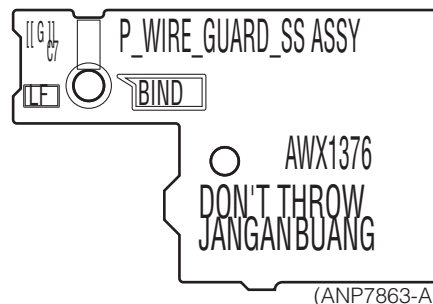
**W MIC HP GUARD ASSY**



**Y FFC GUARD\_SS ASSY**



**X P WIRE GUARD\_SS ASSY**



**Z TRANS VREG\_STYL\_SS ASSY**



**AA PANEL GUARD ASSY**



**U V W X Y Z AA**

**U V W X Y Z AA**

# 12. PCB PARTS LIST

NOTES: ● Parts marked by "NSP" are generally unavailable because they are not in our Master Spare Parts List.

● The  $\Delta$  mark found on some component parts indicates the importance of the safety factor of the part. Therefore, when replacing, be sure to use parts of identical designation.

● When ordering resistors, first convert resistance values into code form as shown in the following examples.

Ex.1 When there are 2 effective digits (any digit apart from 0), such as 560 ohm and 47 k ohm (tolerance is shown by J = 5%, and K = 10%).

560  $\Omega$   $\rightarrow$   $56 \times 10^1$   $\rightarrow$  561 ..... RD1/APU  $\boxed{5}$   $\boxed{6}$   $\boxed{7}$  J

47 k $\Omega$   $\rightarrow$   $47 \times 10^3$   $\rightarrow$  473 ..... RD1/APU  $\boxed{4}$   $\boxed{7}$   $\boxed{3}$  J

0.5  $\Omega$   $\rightarrow$  R50 ..... RN2H  $\boxed{R}$   $\boxed{5}$   $\boxed{0}$  K

1  $\Omega$   $\rightarrow$  1R0 ..... RSIP  $\boxed{7}$   $\boxed{R}$   $\boxed{0}$  K

Ex.2 When there are 3 effective digits (such as in high precision metal film resistors).

5.62 k $\Omega$   $\rightarrow$   $562 \times 10^1$   $\rightarrow$  5621 ..... RN1/4PC  $\boxed{5}$   $\boxed{6}$   $\boxed{2}$   $\boxed{7}$  F

| Mark No. | Description | Part No. | Mark No. | Description | Part No. |
|----------|-------------|----------|----------|-------------|----------|
|----------|-------------|----------|----------|-------------|----------|

## LIST OF ASSEMBLIES

|     |   |                     |     |   |         |
|-----|---|---------------------|-----|---|---------|
| NSP | 1..D-AMP_SS ASSY                                | AWH7068             | NSP | 1..PRE POWER_SS ASSY (SC-71)                | AWR7221 |
|     | 2..D-AMP_SS ASSY                                | AWX1425             |     | 2..USB RECT_SS ASSY                         | AWX1374 |
|     | 2..BT_SS ASSY                                   | AWX1428             |     | 2..D-AUDIO BRIDGE1_SS ASSY                  | AWX1383 |
|     |   |                     |     | 2..D-AUDIO BRIDGE2_SS ASSY                  | AWX1384 |
|     |   |                     |     | 2..VIDEO_SS ASSY                            | AWX1602 |
| NSP | 1..PRIM DISPLAY ASSY (SC-71)                    | AWM8331             |     | 2..OPT COAX_SS ASSY                         | AWX1603 |
|     | 2..VOL ASSY                                     | AWX1392             |     | 2..V-REG_SS ASSY                            | AWX1604 |
|     | 2..POWER SW ASSY                                | AWX1393             |     | 2..232C_SS ASSY                             | AWX1606 |
|     | 2..ENCODER ASSY                                 | AWX1396             |     |   |         |
|     | 2..MIC HP GUARD ASSY                            | AWX1397             | NSP | 1..PRE POWER_SS ASSY (SC-1228-K, SC-1223-K) | AWR7222 |
| C   | NSP   | 2..PANEL GUARD ASSY |     | 2..USB RECT_SS ASSY                         | AWX1374 |
|     |   | 2..DISPLAY ASSY     |     | 2..D-AUDIO BRIDGE1_SS ASSY                  | AWX1383 |
|     |   | 2..MIC HP ASSY      |     | 2..D-AUDIO BRIDGE2_SS ASSY                  | AWX1384 |
|     |   | 2..PRIMARY ASSY     |     | 2..VIDEO_SS ASSY                            | AWX1602 |
|     |   |                     |     | 2..OPT COAX_SS ASSY                         | AWX1603 |
| NSP | 1..PRIM DISPLAY ASSY (SC-1228-K, SC-1223-K)     | AWM8342             |     | 2..V-REG_SS ASSY                            | AWX1605 |
|     | 2..VOL ASSY                                     | AWX1392             |     | 2..232C_SS ASSY                             | AWX1607 |
|     | 2..POWER SW ASSY                                | AWX1508             |     |   |         |
|     | 2..ENCODER ASSY                                 | AWX1396             |     | 1..DIGITAL MAIN_L ASSY                      | AWX1353 |
|     | 2..MIC HP GUARD ASSY                            | AWX1397             |     |   |         |
| NSP | 2..PANEL GUARD ASSY                             | AWX1399             |     | 1..FRONT HDMI USB ASSY                      | AWX1548 |
|     | 2..DISPLAY ASSY                                 | AWX1507             |     |   |         |
|     | 2..MIC HP ASSY                                  | AWX1639             |     |   |         |
| D   | 2..PRIMARY ASSY                                 | AWX1640             |     |   |         |
| NSP | 1..AUDIO BUFFER_SS ASSY                         | AWR7199             |     |   |         |
|     | 2..AUDIO_SS ASSY                                | AWX1536             |     |   |         |
|     | 2..IR BUFFER_SS ASSY                            | AWX1537             |     |   |         |
| NSP | 1..INTERFACE REG_SS ASSY (SC-71)                | AWR7210             |     |   |         |
|     | 2..B TO B LOCK_SS ASSY                          | AWX1375             |     |   |         |
|     | 2..P WIRE GUARD_SS ASSY                         | AWX1376             |     |   |         |
|     | 2..TRANS VREG STYL_SS ASSY                      | AWX1382             |     |   |         |
|     | 2..FFC GUARD_SS ASSY                            | AWX1385             |     |   |         |
|     | 2..INTERFACE_SS ASSY                            | AWX1587             |     |   |         |
| E   | 2..B-DIODE_SS ASSY                              | AWX1588             |     |   |         |
| NSP | 1..INTERFACE REG_SS ASSY (SC-1228-K, SC-1223-K) | AWR7211             |     |   |         |
|     | 2..B TO B LOCK_SS ASSY                          | AWX1375             |     |   |         |
|     | 2..P WIRE GUARD_SS ASSY                         | AWX1376             |     |   |         |
|     | 2..TRANS VREG STYL_SS ASSY                      | AWX1382             |     |   |         |
|     | 2..FFC GUARD_SS ASSY                            | AWX1385             |     |   |         |
|     | 2..INTERFACE_SS ASSY                            | AWX1589             |     |   |         |
|     | 2..B-DIODE_SS ASSY                              | AWX1588             |     |   |         |



### INTERFACE\_SS ASSY

AWX1587 and AWX1589 are constructed the same except for the following:

| Mark | Symbol and Description | AWX1587       | AWX1589  |
|------|------------------------|---------------|----------|
|      | Q7001                  | DTC124EUA     | Not used |
|      | Q7002                  | DTC124EUA     | Not used |
|      | Q7004                  | 2SA1576A(QRS) | Not used |
|      | Q7006                  | 2SA1036K(QR)  | Not used |
|      | L7001                  | ATL7002       | Not used |
|      | JA7001 Jack            | VKB1243       | Not used |
|      | R7004                  | RS1/10SR103J  | Not used |
|      | R7005                  | RS1/10SR103J  | Not used |
|      | R7006                  | RS1/10SR120J  | Not used |
|      | R7008                  | RS1/10SR120J  | Not used |
|      | R7009                  | RS1/10SR120J  | Not used |
|      | R7010                  | RS1/10SR472J  | Not used |
|      | R7012                  | RS1/10SR120J  | Not used |
|      | R7013                  | RS1/10SR472J  | Not used |
|      | C7008                  | CCSRCH102J50  | Not used |
|      | C7010                  | CKSRYB104K50  | Not used |
|      | C7013                  | CCSRCH102J50  | Not used |
|      | C7015                  | CKSRYB104K50  | Not used |
|      | C7017                  | CKSRYB104K50  | Not used |
|      | C7019                  | CKSRYB103K50  | Not used |
|      | C7021                  | CCSRCH331J50  | Not used |
|      | C7022                  | CKSRYB104K50  | Not used |
|      | C7023                  | CEAK221M16    | Not used |



### 232C\_SS ASSY

AWX1606 and AWX1607 are constructed the same except for the following:

| Mark | Symbol and Description | AWX1606       | AWX1607      |
|------|------------------------|---------------|--------------|
|      | IC8201                 | TRS232EIN     | Not used     |
|      | Q8201                  | 2SC4081(QRS)  | Not used     |
|      | Q8202                  | 2SA1576A(QRS) | Not used     |
|      | Q8203                  | DTC114EUA     | Not used     |
|      | D8201                  | Not used      | 1SS355       |
|      | D8206                  | 1SS355        | Not used     |
|      | D8207                  | 1SS355        | Not used     |
|      | JA8201 9p D-sub Socket | AKP7256       | Not used     |
|      | CN8202 7p Connector    | Not used      | VKN1267      |
|      | R8201                  | RS1/10SR0R0J  | Not used     |
|      | R8202                  | RS1/10SR0R0J  | Not used     |
|      | R8203                  | RS1/10SR0R0J  | Not used     |
|      | R8206                  | RS1/10SR0R0J  | Not used     |
|      | R8209                  | Not used      | RS1/10SR0R0J |
|      | R8210                  | Not used      | RS1/10SR0R0J |
|      | R8219                  | RS1/10SR0R0J  | Not used     |
|      | R8220                  | RS1/10SR121J  | Not used     |
|      | R8221                  | RS1/10SR121J  | Not used     |
|      | R8222                  | RS1/10SR224J  | Not used     |
|      | R8223                  | RS1/10SR474J  | Not used     |
|      | R8224                  | RS1/10SR103J  | Not used     |
|      | R8227                  | RS1/10SR224J  | Not used     |
|      | R8228                  | RS1/10SR121J  | Not used     |
|      | R8229                  | RS1/10SR121J  | Not used     |
|      | R8230                  | RS1/10SR121J  | Not used     |
|      | R8231                  | RS1/10SR100J  | Not used     |
|      | R8232                  | RS1/10SR100J  | Not used     |
|      | R8233                  | RS1/10SR104J  | Not used     |
|      | R8234                  | RS1/10SR472J  | Not used     |
|      | R8236                  | RS1/10SR223J  | Not used     |

| Mark | Symbol and Description | AWX1606      | AWX1607      |
|------|------------------------|--------------|--------------|
| A    | C8204                  | Not used     | CCSRCH331J50 |
|      | C8206                  | CCSRCH100D50 | Not used     |
|      | C8207                  | CCSRCH100D50 | Not used     |
|      | C8210                  | CKSRYB104K50 | Not used     |
|      | C8211                  | CKSRYB104K50 | Not used     |
|      | C8212                  | CKSRYB104K50 | Not used     |
|      | C8213                  | CKSRYB104K50 | Not used     |
|      | C8214                  | CCSRCH101J50 | Not used     |
|      | C8215                  | CCSRCH331J50 | Not used     |
|      | C8216                  | CKSRYB103K50 | Not used     |
|      | C8217                  | CEAK101M16   | Not used     |
|      | C8218                  | CCSRCH100D50 | Not used     |
|      | C8219                  | CCSRCH331J50 | Not used     |

B



### DISPLAY ASSY

AWX1455 and AWX1507 are constructed the same except for the following:

| Mark | Symbol and Description | AWX1455          | AWX1507        |
|------|------------------------|------------------|----------------|
| C    | Q6006                  | DTC124EUA        | Not used       |
|      | Q6007                  | DTC124EUA        | Not used       |
|      | Q6008                  | DTC124EUA        | Not used       |
|      | Q6009                  | DTC124EUA        | Not used       |
|      | Q6010                  | DTC124EUA        | Not used       |
|      | D6006                  | SLR343BC4T(JKLM) | SLR-343VC(NPQ) |
|      | D6008                  | SLR343BC4T(JKLM) | SLR-343VC(NPQ) |
|      | D6010                  | SLR343BC4T(JKLM) | SLR-343VC(NPQ) |
|      | D6012                  | SLR343BC4T(JKLM) | SLR-343VC(NPQ) |
|      | D6014                  | SLR343BC4T(JKLM) | Not used       |
| D    | R6056                  | RS1/10SR102J     | Not used       |
|      | R6064                  | Not used         | RS1/10SR0R0J   |
|      | R6070                  | RS1/10SR101J     | Not used       |
|      | R6081                  | Not used         | RS1/10SR0R0J   |
|      | R6113                  | Not used         | RS1/10SR0R0J   |
|      | R6114                  | Not used         | RS1/10SR0R0J   |
|      | R6115                  | Not used         | RS1/10SR0R0J   |
|      | R6116                  | Not used         | RS1/10SR0R0J   |
|      | R6134                  | RS1/10SR151J     | RS1/10SR681J   |
|      | R6135                  | RS1/10SR151J     | RS1/10SR681J   |
| E    | R6136                  | RS1/10SR151J     | RS1/10SR681J   |
|      | R6137                  | RS1/10SR151J     | RS1/10SR681J   |
|      | R6138                  | RS1/10SR151J     | Not used       |
|      | R6194                  | RS1/10SR101J     | Not used       |
|      | C6032                  | CCSRCH100D50     | Not used       |
|      | C6058                  | CCSRCH470J50     | Not used       |
|      | C6092                  | CCSRCH100D50     | Not used       |

E



### POWER SW ASSY

AWX1393 and AWX1508 are constructed the same except for the following:

| Mark | Symbol and Description | AWX1393          | AWX1508  |
|------|------------------------|------------------|----------|
| F    | Q3401                  | DTC143EUA        | Not used |
|      | D3402                  | SLR343BC4T(JKLM) | Not used |
|      | R3401                  | RS1/10SR151J     | Not used |
|      | C3401                  | CCSRCH221J50     | Not used |

F

# R V-REG\_SS ASSY

AWX1604 and AWX1605 are constructed the same except for the following:

| Mark | Symbol and Description | AWX1604      | AWX1605  |
|------|------------------------|--------------|----------|
|      | IC7551                 | NJM78M12FA   | Not used |
|      | D7551                  | 1SR154-400   | Not used |
|      | D7552                  | 1SS355       | Not used |
|      | D7554                  | 1SR154-400   | Not used |
|      | D7555                  | 1SR154-400   | Not used |
|      | 7551 Screw             | BBZ30P080FCC | Not used |
|      | 7552 Heat Sink         | ANH7251      | Not used |
|      | C7554                  | CEAK471M35-F | Not used |
|      | C7555                  | CEAK100M50   | Not used |
|      | C7557                  | CEAK102M35-F | Not used |

A

B

C

D

E

F



| Mark | No.       | Description     | Part No.      |
|------|-----------|-----------------|---------------|
| R    | 8044      |                 | RS1/16SS1801F |
| R    | 8045      |                 | RS1/16SS2200F |
| R    | 8046      |                 | RS1/16SS8201F |
| R    | 8055      |                 | RS1/4SA105J   |
| R    | 8058,8059 |                 | RS1/8SQ0R0J   |
| R    | 8087      |                 | RS1/16SS3003D |
|      |           | Other Resistors | RS1/16SS###J  |

**CAPACITORS**

|   |                     |              |
|---|---------------------|--------------|
| C | 8001,8015,8021      | CCSSCH101J50 |
| C | 8002,8029,8037,8038 | CKSRYB104K50 |
| C | 8003,8016,8020,8022 | CCSSCH331J50 |
| C | 8010,8054           | CEAK221M16   |
| C | 8012,8017,8030      | CKSRYB103K50 |
| C | 8014,8031,8051      | CCSRCH331J50 |
| C | 8018                | CKSSYB104K16 |
| C | 8023                | CKSQYB225K16 |
| C | 8032,8033,8044,8045 | CCG1236      |
| C | 8039                | CCSRCH222J50 |
| C | 8041,8053           | CCSRCH100D50 |
| C | 8042,8043           | CCSSCH331J50 |
| C | 8078                | CKSSYB473K16 |

**C USB RECT\_SS ASSY****SEMICONDUCTORS**

|   |   |      |            |
|---|---|------|------------|
| ⚠ | D | 3651 | D5SBA60(B) |
|---|---|------|------------|

**MISCELLANEOUS**

|    |           |                |         |
|----|-----------|----------------|---------|
| H  | 3651,3652 | FUSE CLIP      | AKR1004 |
| KN | 3651      | EARTH TERMINAL | AKF7002 |
| CN | 3652      | 2P TOP POST    | B2B-EH  |
| CN | 3653      | 3P TOP POST    | B3B-EH  |
|    | 3651      | HEAT SINK      | ANH7250 |

|    |           |            |              |
|----|-----------|------------|--------------|
|    | 3652      | SCREW      | IBZ30P080FCC |
| JH | 3651-3655 | PCB BINDER | AEF7008      |

**RESISTORS**

|   |                |                 |             |
|---|----------------|-----------------|-------------|
| R | 3652           | RS1/4SA105J     |             |
| R | 3654,3655,3699 | RS1/10SR0R0J    |             |
|   |                | Other Resistors | RS1/8SQ###J |

**CAPACITORS**

|   |           |              |
|---|-----------|--------------|
| C | 3651      | CFTLA104J50  |
| C | 3661      | CKSRYB104K50 |
| C | 3662      | CCSRCH331J50 |
| C | 3665,3666 | CEAK472M25   |

**D OPT COAX\_SS ASSY****SEMICONDUCTORS**

|    |           |            |
|----|-----------|------------|
| IC | 5401,5402 | TC7WHU04FU |
|----|-----------|------------|

**MISCELLANEOUS**

|    |           |                  |         |
|----|-----------|------------------|---------|
| JA | 5401,5402 | OPT IN MODULE    | AKS7008 |
| JA | 5403      | RCA JACK         | AKB7254 |
| KN | 5401      | SCREW PLATE      | VNE1948 |
| CN | 5401      | B TO B 9PIN PLUG | AKM7100 |

**RESISTORS**

|  |  |               |              |
|--|--|---------------|--------------|
|  |  | All Resistors | RS1/10SR###J |
|--|--|---------------|--------------|

| Mark              | No.                 | Description  | Part No. |
|-------------------|---------------------|--------------|----------|
| <b>CAPACITORS</b> |                     |              |          |
| C                 | 5401,5402,5411,5412 | CKSRYB104K50 | A        |
| C                 | 5403,5404           | CCSRCH221J50 |          |
| C                 | 5405                | CCSRCH101J50 |          |
| C                 | 5407                | CEAK221M10   |          |
| C                 | 5408,5409           | CKSRYB103K50 |          |
| C                 | 5414,5425,5431      | CCSRCH331J50 |          |
| C                 | 5415,5423           | CKSRYB104K50 |          |

**E DIGITAL MAIN\_L ASSY****SEMICONDUCTORS**

|    |                   |                    |   |
|----|-------------------|--------------------|---|
| IC | 101               | UPD61110GM-100UEVA | B |
| IC | 102               | M12L2561616A-5TG2A |   |
| IC | 103               | AYW7386            |   |
| IC | 104,604,1808      | TC7WHU04FK         |   |
| IC | 105,613,1601,1616 | TC74VHC08FK        |   |
| ⚠  | IC 451            | TPS65251RHA        |   |
| IC | 603               | PE7008A            |   |
| IC | 608               | TC74VHCT541AFK     |   |
| IC | 610,1509,1806     | TC74VHC126FK       |   |
| IC | 611               | TC74VHCT126AFK     |   |

|    |                  |                 |   |
|----|------------------|-----------------|---|
| IC | 612,1502         | TC74VHCT08AFKS1 | C |
| IC | 614,616,701,1521 | TC7SH08FUS1     |   |
| IC | 615              | TC7SZ126FU      |   |
| IC | 901,910          | TC74LCX541FK    |   |
| IC | 902,911          | TC7SZ125FU      |   |

|    |         |                 |  |
|----|---------|-----------------|--|
| IC | 903     | SI9587CNUC-3    |  |
| IC | 909     | ADV7181CBSTZ    |  |
| IC | 1204    | 88DE2750        |  |
| IC | 1212    | H5PS5162GFR-S5C |  |
| ⚠  | IC 1216 | BD3539NUX       |  |

|    |              |               |   |
|----|--------------|---------------|---|
| IC | 1501,1805    | TC74VHC157FK  | D |
| IC | 1511         | ICS511MLF     |   |
| IC | 1602         | SI9616CTUC    |   |
| ⚠  | IC 1605,1615 | AAT4610BIGV-1 |   |
| IC | 1801         | AK4588VQ      |   |

|    |                     |                  |  |
|----|---------------------|------------------|--|
| IC | 1802                | AK4388ET         |  |
| IC | 1804,9003,9207,9601 | TC74VHC08FK      |  |
| IC | 9001                | M12L64164A-5TG2Y |  |
| IC | 9002                | D808K013DPTP400  |  |
| IC | 9004                | AYW7388          |  |

|    |           |                |   |
|----|-----------|----------------|---|
| IC | 9101      | TC74VHC541FK   |   |
| IC | 9102      | BU4094BCFV     | E |
| IC | 9201,9209 | A3V56S30FTP-G6 |   |
| ⚠  | IC 9202   | BD2226G        |   |
| IC | 9203      | LAN8720A-CP    |   |

|    |                   |             |  |
|----|-------------------|-------------|--|
| IC | 9204              | DM860A      |  |
| IC | 9205              | AYW7391     |  |
| IC | 9206              | H337S3959   |  |
| IC | 9208              | TC7SH08FUS1 |  |
| ⚠  | IC 9401,9511,9519 | MM3529A50P  |  |

|   |                   |              |   |
|---|-------------------|--------------|---|
| ⚠ | IC 9402           | MM3542BF     |   |
| ⚠ | IC 9502,9518,9523 | S-1172B12-E6 |   |
| ⚠ | IC 9503           | S-1172B13-E6 | F |
| ⚠ | IC 9505           | MM3529A18P   |   |
| ⚠ | IC 9508           | MM3529A25P   |   |





| Mark              | No.                 | Description | Part No.      | Mark | No.                 | Description | Part No.     |
|-------------------|---------------------|-------------|---------------|------|---------------------|-------------|--------------|
| R                 | 1690,9007-9010      |             | RAB4CQ330J    | C    | 489-491,604,608     |             | CCSSCH100D50 |
| R                 | 1808                |             | RS1/16SS1202D | C    | 493,494,606,618     |             | CCSSCH331J50 |
| R                 | 1906,1907,9401,9402 |             | RS1/10SR0R0J  | C    | 499,601,602,913     |             | CEVW101M16   |
| R                 | 9012,9018,9019,9043 |             | RAB4CQ680J    | C    | 506-508,9408,9414   |             | CCG1236      |
| R                 | 9016,9017,9024,9031 |             | RAB4CQ220J    | C    | 607,704,720,721     |             | CCSSCH102J50 |
| R                 | 9209,9211           |             | RAB4CQ390J    | C    | 610,612,614,615     |             | CKSSYB103K25 |
| R                 | 9233,9240,9265,9266 |             | RAB4CQ470J    | C    | 611,621,629,630     |             | CCSSCH100D50 |
| R                 | 9234-9237           |             | RAB4CQ121J    | C    | 619,623,636,646     |             | CCSSCH101J50 |
| R                 | 9285                |             | RS1/16SS1202F | C    | 620,624,631,633     |             | CCSSCH331J50 |
| R                 | 9286                |             | RS1/16SS1000F | C    | 622,625,626,637     |             | CKSSYB104K16 |
| R                 | 9290-9292,9294      |             | RS1/16SS49R9F | C    | 628,632,653,654     |             | CKSSYB103K25 |
| R                 | 9312                |             | RS1/16SS3001F | C    | 634,640,648,665     |             | CCSSCH100D50 |
| R                 | 9426,9427           |             | RS1/16SS3000F | C    | 635,639,641,647     |             | CCSSCH331J50 |
| R                 | 9428                |             | RS1/16SS8201F | C    | 638,642-645,657     |             | CKSSYB104K16 |
| R                 | 9641                |             | RS1/8SQ105J   | C    | 649,674,696,698     |             | CCSSCH331J50 |
| R                 | 9687,9901,9902,9944 |             | RAB4CQ473J    | C    | 650,651,656,659     |             | CCSSCH101J50 |
| R                 | 9908,9909           |             | RAB4CQ100J    | C    | 660,671,682,691     |             | CCSSCH101J50 |
|                   | Other Resistors     |             | RS1/16SS###J  | C    | 662,664,670,675     |             | CKSSYB104K16 |
|                   |                     |             |               | C    | 666,679,740-742     |             | CCSSCH100D50 |
|                   |                     |             |               | C    | 680,681,722,761     |             | CKSSYB104K16 |
| <b>CAPACITORS</b> |                     |             |               |      |                     |             |              |
| C                 | 101,428,1357,1610   |             | CEVW101M4     |      |                     |             |              |
| C                 | 102,111,114,117     |             | CCSSCH331J50  | C    | 685,925,929,947     |             | CKSSYB103K25 |
| C                 | 103,106,109,112     |             | DCH1246       | C    | 700,701,713,733     |             | CCSSCH331J50 |
| C                 | 104,107,110,116     |             | CEVW101M16    | C    | 705-708,717,718     |             | CCSSCH101J50 |
| C                 | 105,108,146,162     |             | CCSSCH101J50  | C    | 723,728,959,966     |             | CCSSCH102J50 |
|                   |                     |             |               | C    | 735,749,751,752     |             | CCSSCH101J50 |
| C                 | 115,118,136,911     |             | DCH1246       |      |                     |             |              |
| C                 | 119,126,135,138     |             | CCSSCH331J50  | C    | 745,746,755,905     |             | CCSSCH100D50 |
| C                 | 120,121,124,130     |             | CKSSYB103K25  | C    | 750,1040,1299,1835  |             | CCSSCH221J50 |
| C                 | 122,129,133,148     |             | CCSSCH471J50  | C    | 754,757,762,765     |             | CCSSCH331J50 |
| C                 | 123,125,127,132     |             | CKSSYB104K16  | C    | 764,903,906,927     |             | CKSSYB104K16 |
|                   |                     |             |               | C    | 902,923,941,952     |             | CCSSCH101J50 |
| C                 | 140,142,147,150     |             | CKSSYB104K16  |      |                     |             |              |
| C                 | 144,149,151,154     |             | CCSSCH331J50  | C    | 904,907,926,930     |             | CCSSCH471J50 |
| C                 | 152,153,158,166     |             | CKSSYB104K16  | C    | 915,920,933,937     |             | DCH1246      |
| C                 | 155,199-201,463     |             | CKSSYB103K25  | C    | 919,1566,1601,1615  |             | CEVW470M4    |
| C                 | 156,178,206,627     |             | CCSSCH471J50  | C    | 928,954,958,969     |             | CCSSCH331J50 |
|                   |                     |             |               | C    | 931,942,945,955     |             | CKSSYB104K16 |
| C                 | 157,160,165,171     |             | CCSSCH102J50  |      |                     |             |              |
| C                 | 159,161,222,1529    |             | CKSSYB472K50  | C    | 932,956,960,961     |             | CCSSCH471J50 |
| C                 | 163,173,176,184     |             | CCSSCH331J50  | C    | 939,963,1214        |             | DCH1246      |
| C                 | 167,175,179,181     |             | CKSSYB104K16  | C    | 946,1048,1060,1063  |             | DCH1201      |
| C                 | 170,9324,9411       |             | CKSSYB222K50  | C    | 948,950,953,957     |             | CKSSYB103K25 |
|                   |                     |             |               | C    | 962,964,965,1010    |             | CKSSYB104K16 |
| C                 | 180,207,212,401     |             | CCSSCH101J50  |      |                     |             |              |
| C                 | 182,193,215         |             | CCSSCH100D50  | C    | 1024,1030,1035,1037 |             | CCSSCH331J50 |
| C                 | 185,202-205,223     |             | CKSSYB104K16  | C    | 1025,1031,1042,1064 |             | CEVW101M16   |
| C                 | 186,187,1101-1103   |             | CCSSCH7R0D50  | C    | 1026,1032,1034,1038 |             | CKSSYB104K16 |
| C                 | 402-404,465         |             | CCSSCH100D50  | C    | 1027,1033,1041,1084 |             | CCSSCH101J50 |
|                   |                     |             |               | C    | 1028,1036           |             | CCSSCH270J50 |
| C                 | 405,407,1434,1504   |             | CCG1222       |      |                     |             |              |
| C                 | 406,9008            |             | CCSSCH330J50  | C    | 1029,1039,1043,1045 |             | CKSSYB103K25 |
| C                 | 408                 |             | VCH1234       | C    | 1044                |             | CKSSYB823K10 |
| C                 | 426,613,616,617     |             | CKSSYB104K16  | C    | 1046,1070,1079,1080 |             | CCSSCH331J50 |
| C                 | 427,451,454,457     |             | CCSSCH331J50  | C    | 1047,1050-1052,1055 |             | CKSSYB104K16 |
|                   |                     |             |               | C    | 1049,1252,9249,9279 |             | CCSSCH102J50 |
| C                 | 452,455,458         |             | CCG1236       |      |                     |             |              |
| C                 | 459,917,1207,1208   |             | CEVW221M4     | C    | 1054,1056,1224,1238 |             | CKSSYB103K25 |
| C                 | 460-462             |             | CKSRYB473K50  | C    | 1057,1059,1061,1067 |             | CKSSYB104K16 |
| C                 | 467,1095-1097,9609  |             | CCSSCH5R0C50  | C    | 1062,1088,1361,1410 |             | CCSSCH100D50 |
| C                 | 470,1107-1109       |             | CCSSCH180J50  | C    | 1065,1074,1089-1091 |             | DCH1201      |
|                   |                     |             |               | C    | 1068,1071,1072      |             | CKSSYB104K16 |
| C                 | 474-476,9403,9405   |             | CKSQYB105K25  |      |                     |             |              |
| C                 | 477,479             |             | CCSRCH222J50  | C    | 1069,1116,1119,1456 |             | CCSSCH471J50 |
| C                 | 481-483,9302        |             | CKSSYB223K16  | C    | 1075,9005,9029,9250 |             | CEVW101M16   |
| C                 | 484-486,495-497     |             | CCG1236       | C    | 1092-1094,1110-1112 |             | CKSSYB104K16 |
| C                 | 487                 |             | CCSRCH102J50  | C    | 1115,1118,1213,1223 |             | CKSSYB104K16 |
|                   |                     |             |               | C    | 1203,1222,1230,9318 |             | CKSRYB105K16 |

| Mark | No. | Description         | Part No.       | Mark | No.                 | Description  | Part No. |
|------|-----|---------------------|----------------|------|---------------------|--------------|----------|
| A    | C   | 1205,1228,1352,1674 | DCH1201        | C    | 1828,1832,1834,1836 | CKSSYB104K16 |          |
|      | C   | 1215,1220,1231,1246 | CCSSCH101J50   | C    | 1831,1848,1867      | CEVW220M6R3  |          |
|      | C   | 1225,1226,1244,1248 | CCSSCH331J50   | C    | 1838,1846,1895,9039 | CCSSCH471J50 |          |
|      | C   | 1229,1236,1240,1254 | CKSSYB104K16   | C    | 1845,1856,1894,1896 | CKSSYB104K16 |          |
|      | C   | 1243,1270,1305,1318 | CKSSYB103K25   | C    | 1870,1871           | CKSSYB472K50 |          |
| B    | C   | 1251,1274,1294,1311 | CCSSCH331J50   | C    | 1912,9543           | CKSRYB103K50 |          |
|      | C   | 1256,1268,1278,1286 | CCSSCH101J50   | C    | 1913                | CCSRCH331J50 |          |
|      | C   | 1267,1272,1276,1285 | CKSSYB104K16   | C    | 1914                | CCSRCH820J50 |          |
|      | C   | 1289,1297,1319,1342 | CKSSYB104K16   | C    | 1915,1916,9009,9022 | CCSSCH100D50 |          |
|      | C   | 1313,1326           | CCSSCH150J50   | C    | 1918-1924,9013,9015 | CCSSCH331J50 |          |
| C    | C   | 1322,1333,1339,1390 | CCSSCH101J50   | C    | 9001,9006,9007,9012 | CKSSYB104K16 |          |
|      | C   | 1323,1324,1346,1347 | CCSSCH331J50   | C    | 9014,9018,9020,9023 | CKSSYB104K16 |          |
|      | C   | 1325,1328,1334,1380 | CKSSYB103K25   | C    | 9016,9028,9031,9035 | CKSSYB103K25 |          |
|      | C   | 1343,1384,1391,1392 | CKSSYB104K16   | C    | 9019,9024,9027,9046 | CCSSCH101J50 |          |
|      | C   | 1349-1351,1605,1612 | DCH1246        | C    | 9021,9026,9032,9038 | CCSSCH331J50 |          |
| D    | C   | 1355,1358,1427,1630 | CEVW221M4      | C    | 9025,9036,9042-9045 | CKSSYB104K16 |          |
|      | C   | 1359,1381,1388,1398 | CCSSCH331J50   | C    | 9034,9037,9050,9065 | CCSSCH100D50 |          |
|      | C   | 1393,1395,1424,1425 | CCSSCH101J50   | C    | 9040,9041,9049,9052 | CKSSYB103K25 |          |
|      | C   | 1394,1401,1409,1426 | CKSSYB104K16   | C    | 9047,9059,9066,9068 | CKSSYB104K16 |          |
|      | C   | 1408,1455,1457,1463 | CKSSYB103K25   | C    | 9048,9051,9055,9061 | CCSSCH331J50 |          |
| E    | C   | 1411,1454,1466,1468 | CCSSCH331J50   | C    | 9053,9056,9057,9072 | CCSSCH101J50 |          |
|      | C   | 1433,9248           | CKSQYB225K16   | C    | 9054,9069,9222,9289 | CCSSCH471J50 |          |
|      | C   | 1451,1453,1459,1461 | CKSSYB104K16   | C    | 9058,9060,9063,9086 | CKSSYB103K25 |          |
|      | C   | 1452,1460,1462,1503 | CCSSCH101J50   | C    | 9062,9064,9074,9076 | CCSSCH331J50 |          |
|      | C   | 1458,1464,1476,1482 | CCSSCH471J50   | C    | 9071,9073,9088      | CKSSYB104K16 |          |
| F    | C   | 1465,1469,1472,1477 | CKSSYB103K25   | C    | 9075,9332,9410,9544 | CKSRYB104K50 |          |
|      | C   | 1467,1475,1481,1501 | CKSSYB104K16   | C    | 9079,9143,9148,9206 | CCSSCH331J50 |          |
|      | C   | 1470,1471,1523,1526 | CCSSCH331J50   | C    | 9085,9101,9204,9211 | CCSSCH101J50 |          |
|      | C   | 1478                | CCSSCH8R0D50   | C    | 9087,9089,9094,9095 | CKSSYB103K25 |          |
|      | C   | 1479                | CCSSCH7R0D50   | C    | 9090-9093,9096,9102 | CKSSYB104K16 |          |
| G    | C   | 1502,1518,1565,1697 | CCSSCH100D50   | C    | 9097,9098,9147,9207 | CKSSYB103K25 |          |
|      | C   | 1505,1508,1522,1551 | CKSSYB104K16   | C    | 9126,9208,9229,9241 | CCSSCH100D50 |          |
|      | C   | 1506,1510,1513,1670 | CCSSCH471J50   | C    | 9144,9202,9203,9205 | CKSSYB104K16 |          |
|      | C   | 1507,1656,1661,9201 | CCG1222        | C    | 9209,9214,9215,9232 | CCSSCH331J50 |          |
|      | C   | 1509                | CEAK102M16-P35 | C    | 9210,9213,9221,9227 | CKSSYB104K16 |          |
| H    | C   | 1511,1527,1681,1683 | CCSSCH101J50   | C    | 9212,9216,9219,9223 | CKSSYB103K25 |          |
|      | C   | 1525,1534           | RS1/16SS0R0J   | C    | 9220,9224,9225,9238 | CCSSCH101J50 |          |
|      | C   | 1535,1562,1567,1593 | CKSSYB103K25   | C    | 9230,9233           | DCH1263      |          |
|      | C   | 1536,1538,1539,1541 | CCSSCH331J50   | C    | 9231,9244,9252,9254 | CKSSYB103K25 |          |
|      | C   | 1545-1547,1552,1571 | CCSSCH331J50   | C    | 9234,9237,9240,9242 | CKSSYB104K16 |          |
| I    | C   | 1564,1666,1673,1678 | CKSSYB104K16   | C    | 9235,9243,9251,9255 | CCSSCH331J50 |          |
|      | C   | 1594,1623,1667,1675 | CCSSCH331J50   | C    | 9236,9284,9285,9433 | CCG1222      |          |
|      | C   | 1607,1621,1686,1693 | CKSRYB103K50   | C    | 9245,9246           | CCSSCH120J50 |          |
|      | C   | 1617,1635,1640,1647 | DCH1246        | C    | 9253,9257,9259,9261 | CCSSCH101J50 |          |
|      | C   | 1638,9217,9312,9367 | CEVW221M4      | C    | 9256,9266,9272,9274 | CKSSYB104K16 |          |
| J    | C   | 1645,1655,1660,9298 | CEVW470M4      | C    | 9258,9260,9262,9264 | CKSSYB103K25 |          |
|      | C   | 1650,9648           | CEVW101M4      | C    | 9263,9265,9267,9271 | CCSSCH331J50 |          |
|      | C   | 1652,1657,1662,1665 | DCH1246        | C    | 9268,9270,9276,9282 | CKSSYB103K25 |          |
|      | C   | 1668,1680,1682,1688 | CKSSYB103K25   | C    | 9269,9273,9296,9358 | CCSSCH100D50 |          |
|      | C   | 1679,1685,1691,1699 | CCSSCH331J50   | C    | 9275,9277,9287,9293 | CCSSCH101J50 |          |
| K    | C   | 1684,1698,1700,1739 | CKSSYB104K16   | C    | 9278,9280,9288,9311 | CKSSYB104K16 |          |
|      | C   | 1689,1702,1750,9011 | CCSSCH101J50   | C    | 9281,9291,9297,9309 | CCSSCH331J50 |          |
|      | C   | 1690,1692,1705,1724 | CKSSYB103K25   | C    | 9283,9286,9290,9292 | CKSSYB103K25 |          |
|      | C   | 1694,1745,1829,1837 | CCSSCH471J50   | C    | 9300,9614,9615,9645 | CEVW470M4    |          |
|      | C   | 1695,1696,1839,9030 | DCH1246        | C    | 9301,9310,9338,9354 | CCSSCH101J50 |          |
| L    | C   | 1701,1706,1735,1751 | CCSSCH331J50   | C    | 9319,9334,9336,9356 | CCSSCH331J50 |          |
|      | C   | 1749,1803,1823,1827 | CKSSYB104K16   | C    | 9325,9333,9357,9362 | CKSSYB103K25 |          |
|      | C   | 1752,1850,1911,9010 | CKSSYB103K25   | C    | 9326                | CCSSCH102J50 |          |
|      | C   | 1801,1814,1822,9545 | CEVW221M10     | C    | 9335,9337,9353,9355 | CKSSYB104K16 |          |
|      | C   | 1816,1824,1830,1851 | CCSSCH331J50   | C    | 9359,9364,9365,9413 | CCSSCH331J50 |          |



| Mark | No. | Description | Part No.   |
|------|-----|-------------|------------|
|      | C   | 7059        | CEAK470M25 |

| Mark | No. | Description         | Part No.     |
|------|-----|---------------------|--------------|
|      | C   | 8320-8323,8325,8333 | CEAK1ROM50   |
|      | C   | 8324,8326           | CCSRCH331J50 |
|      | C   | 8328,8332,8357,8361 | CKSRYP103K50 |
|      | C   | 8334                | CEAK1ROM50   |
|      | C   | 8335-8337,8341,8359 | CKSRYP104K50 |
|      | C   | 8340                | CCSRCH102J50 |
|      | C   | 8343,8354           | CCSRCH101J50 |
|      | C   | 8344                | CCSRCH6R0D50 |
|      | C   | 8347                | CCSRCH5R0C50 |
|      | C   | 8348,8350           | CCSRCH240J50 |
|      | C   | 8349,8352           | CCSRCH122J50 |
|      | C   | 8351,8353           | CCSRCH470J50 |
|      | C   | 8363                | CCSRCH100D50 |

## **G** 232C\_SS ASSY

### SEMICONDUCTORS

|    |      |           |
|----|------|-----------|
| IC | 8201 | TRS232EIN |
| Q  | 8201 | 2SC4081   |
| Q  | 8202 | 2SA1576A  |
| Q  | 8203 | DTC114EUA |
| D  | 8204 | DAN217U   |

|   |           |        |
|---|-----------|--------|
| D | 8206,8207 | 1SS355 |
|---|-----------|--------|

### MISCELLANEOUS

|    |      |                   |            |
|----|------|-------------------|------------|
| JA | 8201 | 9P D-SUB SOCKET   | AKP7256    |
| JP | 8201 | CONNECTOR ASS'Y   | PF04PG-S12 |
| KN | 8201 | SCREW PLATE       | VNE1948    |
| CN | 8201 | B TO B 21PIN PLUG | AKM7106    |
| CN | 8203 | B TO B CONNECTOR  | AKM7221    |

### RESISTORS

|               |              |
|---------------|--------------|
| All Resistors | RS1/10SR###J |
|---------------|--------------|

### CAPACITORS

|   |                     |              |
|---|---------------------|--------------|
| C | 8206,8207,8218,8220 | CCSRCH100D50 |
| C | 8210-8213           | CKSRYP104K50 |
| C | 8214                | CCSRCH101J50 |
| C | 8215,8219           | CCSRCH331J50 |
| C | 8216                | CKSRYP103K50 |

|   |                |              |
|---|----------------|--------------|
| C | 8217           | CEAK101M16   |
| C | 8221,8223-8225 | CCSRCH100D50 |
| C | 8222           | CCSRCH471J50 |

## **H** VIDEO\_SS ASSY

### SEMICONDUCTORS

|    |           |            |
|----|-----------|------------|
| IC | 8301      | NJW1328FH2 |
| IC | 8302      | PDC162A    |
| Q  | 8301,8302 | SSM3K15FU  |
| Q  | 8303      | 2SA1036K   |
| Q  | 8304      | 2SC4081    |

### MISCELLANEOUS

|    |      |                |              |
|----|------|----------------|--------------|
| L  | 8301 | CHIP COIL      | LCYA330J2520 |
| JA | 8301 | 2P PIN JACK    | AKB7229      |
| JA | 8302 | RCA JACK       | AKB7252      |
| JA | 8303 | 6P PIN JACK NI | AKB7224      |
| JA | 8304 | 3P PIN JACK NI | AKB7227      |

|    |      |                   |         |
|----|------|-------------------|---------|
| X  | 8301 | CRYSTAL RESONATOR | ASS7080 |
| CN | 8301 | B TO B 21PIN JACK | AKN7072 |

### RESISTORS

|                 |                |               |
|-----------------|----------------|---------------|
| R               | 8305,8307-8314 | RS1/10SR75R0F |
| R               | 8320-8324      | RS1/10SR68R0F |
| Other Resistors | RS1/10SR###J   |               |

### CAPACITORS

|   |                     |              |
|---|---------------------|--------------|
| C | 8301,8303,8314      | CEAK102M6R3  |
| C | 8302,8304-8311      | CEAK1ROM50   |
| C | 8312,8313           | CEAK471M6R3  |
| C | 8315,8345,8346      | CEAK101M16   |
| C | 8316-8319,8327,8330 | CKSRYP104K50 |

## **I** MIC HP ASSY

### SEMICONDUCTORS

|    |           |           |
|----|-----------|-----------|
| IC | 3471      | NJM4565MD |
| Q  | 3451      | DTC124EUA |
| Q  | 3452-3455 | 2SD2704K  |
| D  | 3471      | 1SS302    |
| D  | 3473-3475 | DZ2J051M0 |

### MISCELLANEOUS

|    |           |                |           |
|----|-----------|----------------|-----------|
| JA | 3471      | JACK           | VKB1243   |
| JA | 3472      | JACK           | AKB7219   |
| JA | 3476      | HEADPHONE JACK | XKB3066   |
| KN | 3471,3472 | EARTH TERMINAL | AKF7002   |
| CN | 3472      | CONNECTOR      | 9604S-15C |

### RESISTORS

|                 |              |               |
|-----------------|--------------|---------------|
| R               | 3456,3459    | RS1/4SA150J   |
| R               | 3495         | RS1/10SR75R0F |
| R               | 3498,3499    | RS1/8SQ100J   |
| Other Resistors | RS1/10SR###J |               |

### CAPACITORS

|   |                     |              |
|---|---------------------|--------------|
| C | 3451,3452           | CKSRYP822K50 |
| C | 3457,3475,3479,3494 | CCSRCH101J50 |
| C | 3460                | CCG1236      |
| C | 3473                | CCSRCH471J50 |
| C | 3476,3477           | CCSRCH330J50 |

|   |           |              |
|---|-----------|--------------|
| C | 3478      | CEAK100M50   |
| C | 3480      | DCH1263      |
| C | 3483,3484 | CEAK101M16   |
| C | 3485      | CKSRYP105K16 |
| C | 3486,3496 | CKSRYP103K50 |

|   |      |              |
|---|------|--------------|
| C | 3488 | CKSRYP223K50 |
| C | 3490 | CCSRCH331J50 |

## **J** DISPLAY ASSY

### SEMICONDUCTORS

|     |    |                |              |
|-----|----|----------------|--------------|
| ⚠   | IC | 6002           | NJM2878F3-33 |
|     | IC | 6003           | PE5615A      |
| NSP | IC | 6111           | AYW7395      |
|     | Q  | 6001           | 2SK2034      |
|     | Q  | 6002-6010,6012 | DTC124EUA    |

| Mark | No. | Description         | Part No.         |
|------|-----|---------------------|------------------|
|      | Q   | 6011                | DTA124EUA        |
|      | Q   | 6013                | 2SA1576A         |
|      | D   | 6001                | RB751V-40        |
|      | D   | 6002,6005           | DAN217U          |
|      | D   | 6006,6008,6010,6012 | SLR343BC4T(JKLM) |
|      | D   | 6014                | SLR343BC4T(JKLM) |
|      | D   | 6016                | 1SS355           |

**MISCELLANEOUS**

|    |           |                      |              |
|----|-----------|----------------------|--------------|
| L  | 6001      | CHIP SOLID INDUCTOR  | ATL7002      |
| KN | 6001      | FL HOLDER (FE)       | VNF1096      |
| V  | 6001      | FL TUBE DISPLAY      | AAV7115      |
| S  | 6001-6019 | SWITCH               | ASG7029      |
| X  | 6002      | CERAMIC RESONATOR    | VSS1142      |
| CN | 6001      | 39P CONNECTOR        | VKN2098      |
| CN | 6003      | 5P CONNECTOR         | VKN1820      |
| JH | 6002      | 4P CABLE HOLDER      | 51048-0400   |
| JH | 6003,6004 | 3P CABLE HOLDER      | 51048-0300   |
| JP | 6001      | HOUSING              | ADX7776      |
| JP | 6002      | JUMPER WIRE          | D20PYY0410E  |
| JP | 6003,6004 | JUMPER WIRE          | D20PYY0310E  |
| U  | 6001      | REMOTE RECEIVER UNIT | GP1UE274XKC1 |

**RESISTORS**

|               |              |
|---------------|--------------|
| All Resistors | RS1/10SR###J |
|---------------|--------------|

**CAPACITORS**

|   |                     |              |
|---|---------------------|--------------|
| C | 6001,6008,6014,6024 | CKSRYB103K50 |
| C | 6004                | CKSRYB474K16 |
| C | 6005,6045,6063      | CCSRCH471J50 |
| C | 6006,6010,6011,6019 | CKSRYB104K50 |
| C | 6007,6029           | CCSRCH101J50 |
| C | 6009                | CKSRYB472K50 |
| C | 6012,6013           | CKSRYB473K50 |
| C | 6016,6017,6049      | CKSRYB105K16 |
| C | 6018,6034,6038,6042 | CCSRCH331J50 |
| C | 6020,6022,6026,6037 | CKSRYB104K50 |
| C | 6027,6048           | CEAK221M16   |
| C | 6030,6068,6089-6091 | CKSRYB103K50 |
| C | 6032,6035,6047,6092 | CCSRCH100D50 |
| C | 6039,6043,6044,6065 | CKSRYB104K50 |
| C | 6040                | CCSRCH330J50 |
| C | 6051,6053           | CEAK101M16   |
| C | 6054,6056,6057      | CCSRCH221J50 |
| C | 6055,6058           | CCSRCH470J50 |
| C | 6059-6061,6064,6067 | CCSRCH331J50 |
| C | 6066,6069,6088      | CEAK470M50   |
| C | 6071-6086           | CCSRCH471J50 |
| C | 6087                | CEAK101M35   |
| C | 6093                | CCSRCK2R0C50 |
| C | 6094,6096           | CCSRCH100D50 |
| C | 6095                | CKSRYB103K50 |
| C | 6097,6098           | CCSRCH331J50 |

**K VOL ASSY****MISCELLANEOUS**

|    |      |                     |            |
|----|------|---------------------|------------|
| S  | 3371 | ROTARY ENCODER      | ASX7053    |
| CN | 3371 | 3P JUMPER CONNECTOR | 52147-0310 |

| Mark | No. | Description       | Part No.     |
|------|-----|-------------------|--------------|
|      |     | <b>CAPACITORS</b> |              |
|      | C   | 3371,3372         | CKSRYB103K50 |

**L POWER SW ASSY****SEMICONDUCTORS**

|   |      |                  |
|---|------|------------------|
| Q | 3401 | DTC143EUA        |
| D | 3402 | SLR343BC4T(JKLM) |

**MISCELLANEOUS**

|    |      |                     |            |
|----|------|---------------------|------------|
| S  | 3401 | SWITCH              | VSG1024    |
| CN | 3401 | 4P JUMPER CONNECTOR | 52147-0410 |

**RESISTORS**

|               |              |
|---------------|--------------|
| All Resistors | RS1/10SR###J |
|---------------|--------------|

**CAPACITORS**

|   |      |              |
|---|------|--------------|
| C | 3401 | CCSRCH221J50 |
| C | 3402 | CKSRYB104K16 |

**M ENCODER ASSY****MISCELLANEOUS**

|    |      |                     |            |
|----|------|---------------------|------------|
| S  | 3501 | ROTARY ENCODER      | ASX7054    |
| CN | 3501 | 3P JUMPER CONNECTOR | 52147-0310 |

**RESISTORS**

|               |              |
|---------------|--------------|
| All Resistors | RS1/10SR###J |
|---------------|--------------|

**CAPACITORS**

|   |           |              |
|---|-----------|--------------|
| C | 3501,3502 | CKSRYB103K50 |
|---|-----------|--------------|

**N IR BUFFER\_SS ASSY****SEMICONDUCTORS**

|    |           |             |
|----|-----------|-------------|
| IC | 6801-6807 | UPC4570G2-A |
| Q  | 6801-6807 | 2SD2704K    |

**MISCELLANEOUS**

|    |           |                  |           |
|----|-----------|------------------|-----------|
| CN | 6801      | B TO B CONNECTOR | AKP7283   |
| CN | 6802-6808 | 5P SOCKET        | KP200IB5L |
| JH | 6801-6803 | PCB BINDER       | AEF7008   |

**RESISTORS**

|                 |                     |               |
|-----------------|---------------------|---------------|
| R               | 6804,6806,6856,6858 | RS1/10SR22R0F |
| R               | 6805,6807           | RS1/10SR1000F |
| R               | 6808-6813,6815,6818 | RS1/10SR8201F |
| R               | 6842,6843,6846,6847 | RS1/8SQ225J   |
| R               | 6848-6851,6853,6967 | RS1/8SQ0R0J   |
| R               | 6860,6862,6864      | RS1/10SR22R0F |
| R               | 6865-6879,6881,6884 | RS1/10SR8201F |
| R               | 6887,6890,6893      | RS1/10SR8201F |
| R               | 6950-6953,6960-6964 | RS1/8SQ225J   |
| R               | 6954                | RS1/8SQ204J   |
| R               | 6969,6971,6973      | RS1/8SQ0R0J   |
| Other Resistors |                     | RS1/10SR###J  |

| Mark                  | No. | Description            | Part No.     | Mark                 | No.                 | Description          | Part No.      |
|-----------------------|-----|------------------------|--------------|----------------------|---------------------|----------------------|---------------|
| <b>CAPACITORS</b>     |     |                        |              | <b>MISCELLANEOUS</b> |                     |                      |               |
|                       | C   | 6801-6804,6811-6820    | CFHXSQ103J16 | D                    | 4108,4109,4208,4209 |                      | RF101L2S      |
|                       | C   | 6805,6806,6821-6825    | CEAK220M50   | D                    | 4117,4217,4317,4417 |                      | RF071M2S      |
| A                     | C   | 6809,6810,6831-6835    | CEAK470M25   | D                    | 4118,4218,4318,4418 |                      | CMH07         |
|                       |     |                        |              | D                    | 4308,4309,4408,4409 |                      | RF101L2S      |
|                       |     |                        |              | D                    | 4419,4519,4619,4719 |                      | 1SS355        |
|                       |     |                        |              | D                    | 4508,4509,4608,4609 |                      | RF101L2S      |
|                       |     |                        |              | D                    | 4517,4617,4717,5000 |                      | RF071M2S      |
|                       |     |                        |              | D                    | 4518,4618,4718      |                      | CMH07         |
|                       |     |                        |              | D                    | 4708,4709           |                      | RF101L2S      |
| <b>D-AMP_SS ASSY</b>  |     |                        |              | <b>MISCELLANEOUS</b> |                     |                      |               |
| <b>SEMICONDUCTORS</b> |     |                        |              | L                    | 4100,4200,4300,4400 | OTHER COIL           | ATH7090       |
|                       | IC  | 4001                   | BU7262SFVM   | L                    | 4500,4600,4700      | OTHER COIL           | ATH7090       |
|                       | IC  | 4004                   | TC74VHC08FK  | JA                   | 4101                | SPEAKER TERMINAL 6-P | AKE7107       |
|                       | IC  | 4007                   | BU4094BCFV   | JA                   | 4301,4501           | SPEAKER TERMINAL 4-P | AKE7109       |
|                       | △   | IC 4008                | NJM78M05DL1A | JA                   | 5101                | SPEAKER TERMINAL 4-P | AKE7109       |
| B                     | △   | IC 4009                | NJM79M05DL1A | KN                   | 4000                | WRAPPING TERMINAL    | CKF1089       |
|                       | △   | IC 4101,4201,4301,4401 | IRS2092SPBF  | KN                   | 4100,4200,4300,4400 | SCREW PLATE          | VNE1948       |
|                       | △   | IC 4102,4203,4302,4403 | NJM2830U1-12 | KN                   | 4500                | SCREW PLATE          | VNE1948       |
|                       | △   | IC 4501,4601,4701      | IRS2092SPBF  | KN                   | 4502,4901,4902      | EARTH TERMINAL       | AKF7002       |
|                       | △   | IC 4502,4603,4703      | NJM2830U1-12 | RY                   | 4100,4300,4500,4700 | RELAY                | XSR3015       |
|                       | Q   | 4000                   | DTC124EUA    | RY                   | 5000                | RELAY                | XSR3015       |
|                       | Q   | 4001,4020,4106,4107    | 2SA1576A     | CN                   | 4000                | CONNECTOR            | 9604S-21C     |
|                       | Q   | 4003,4015,4021,4024    | 2SC4081      | CN                   | 4002                | PLUG(2P)             | KM200NA2      |
|                       | Q   | 4004,4006,4008,4018    | DTA124EUA    | CN                   | 4003                | PLUG(4P)             | KM200NA4      |
|                       | Q   | 4005,4007,4009,4019    | DTC114TUA    | CN                   | 4004                | PLUG(6P)             | KM200NA6      |
|                       | Q   | 4014,4016,4027,4029    | HN1C01FU     | CN                   | 4100,4200,4300,4400 | 5P PLUG              | KM200IB5      |
| C                     | Q   | 4023,4112,4115,4116    | 2SC2412K     | CN                   | 4500,4600,4700      | 5P PLUG              | KM200IB5      |
|                       | Q   | 4031,4035,5015         | DTA124EUA    | <b>RESISTORS</b>     |                     |                      |               |
|                       | Q   | 4032                   | DTC114TUA    | R                    | 4005,4117,4317,4517 |                      | RS1/4SA105J   |
|                       | Q   | 4037,4038,4103-4105    | 2SC4081      | R                    | 4019,4042,5012,5013 |                      | RS1/8SQ0R0J   |
|                       | △   | Q 4101,4102,4201,4202  | IRF6775MPBF  | R                    | 4020,5110,5115,5122 |                      | RS1/8SQ104J   |
|                       | Q   | 4108,4109,4203-4205    | 2SC4081      | R                    | 4029,4031           |                      | RS1/4SA222J   |
|                       | Q   | 4110,4210,4310,4410    | 2SA1514K     | R                    | 4049,4165,4365,4565 |                      | RS1/4SA100J   |
|                       | Q   | 4111,4113,4206,4207    | 2SA1576A     | R                    | 4057,5017           |                      | RS1/8SQ471J   |
|                       | Q   | 4114,4214,4314,4414    | 2SD2704K     | R                    | 4060                |                      | RS1/10SR5602F |
|                       | Q   | 4117,4317,4517         | HN1K02FU     | R                    | 4061                |                      | RS1/10SR3302F |
| D                     | Q   | 4208,4209,4303-4305    | 2SC4081      | R                    | 4065,4072,5101      |                      | RS1/8SQ331J   |
|                       | Q   | 4211,4213,4306,4307    | 2SA1576A     | R                    | 4075,4076           |                      | RS1/8SQ222J   |
|                       | Q   | 4215,4216,4312,4315    | 2SC2412K     | R                    | 4079,4139,4239,4339 |                      | RS1/8SQ100J   |
|                       | △   | Q 4301,4302,4401,4402  | IRF6775MPBF  | R                    | 4092,4093           |                      | RS1/4SA331J   |
|                       | Q   | 4308,4309,4403-4405    | 2SC4081      | R                    | 4095                |                      | RS1/4SA224J   |
|                       | Q   | 4311,4313,4406,4407    | 2SA1576A     | R                    | 4101,4163,4201,4263 |                      | RS1/10SR2701F |
|                       | Q   | 4316,4415,4416,4512    | 2SC2412K     | R                    | 4103,4162,4203,4262 |                      | RS1/4SA103J   |
|                       | Q   | 4408,4409,4503-4505    | 2SC4081      | R                    | 4111-4114,4211-4214 |                      | RS1/4SA2R2J   |
|                       | Q   | 4411,4413,4506,4507    | 2SA1576A     | R                    | 4115,4215,4315,4415 |                      | ACN7192       |
|                       | △   | Q 4501,4502,4601,4602  | IRF6775MPBF  | R                    | 4116,4178,4216,4278 |                      | ACN7198       |
|                       | Q   | 4508,4509,4603-4605    | 2SC4081      | R                    | 4119,4120,4167,4219 |                      | RS1/10SR1001F |
|                       | Q   | 4510,4610,4710         | 2SA1514K     | R                    | 4122,4123,4222,4223 |                      | ACN7196       |
|                       | Q   | 4511,4513,4606,4607    | 2SA1576A     | R                    | 4127,4227,4327,4427 |                      | RS1/4SA104J   |
|                       | Q   | 4514,4614,4714         | 2SD2704K     | R                    | 4129,4229,4329,4429 |                      | RS1/8SQ182J   |
|                       | Q   | 4515,4516,4615,4616    | 2SC2412K     | R                    | 4130,4134,4230,4234 |                      | RS1/8SQ103J   |
|                       | Q   | 4608,4609,4703-4705    | 2SC4081      | R                    | 4131,4135,4231,4235 |                      | RS1/8SQ752J   |
|                       | Q   | 4611,4613,4706,4707    | 2SA1576A     | R                    | 4132,4161,4232,4261 |                      | RS1/8SQ822J   |
|                       | △   | Q 4701,4702            | IRF6775MPBF  | R                    | 4133,4177,4233,4277 |                      | ACN7197       |
|                       | Q   | 4708,4709,5014,5017    | 2SC4081      | R                    | 4136,4236,4336,4436 |                      | RS1/8SQ242J   |
|                       | Q   | 4711,4713              | 2SA1576A     | R                    | 4137,4140,4141,4237 |                      | ACN7165       |
|                       | Q   | 4712,4715,4716,5013    | 2SC2412K     | R                    | 4138,4238,4338,4438 |                      | RS1/8SQ4R7J   |
|                       | Q   | 5112                   | 2SC2412K     | R                    | 4142,4143,4242,4243 |                      | ACN7189       |
| F                     | D   | 4002                   | DZ2J027M0    |                      |                     |                      |               |
|                       | D   | 4005,4119,4219,4319    | 1SS355       |                      |                     |                      |               |
|                       | D   | 4011,4012              | DAN202U      |                      |                     |                      |               |

| Mark | No. | Description         | Part No.       | Mark | No.               | Description         | Part No.       |
|------|-----|---------------------|----------------|------|-------------------|---------------------|----------------|
|      | R   | 4145,4156,4245,4256 | RS1/10SR8201F  |      |                   |                     |                |
|      | R   | 4148,4248,4348,4448 | RS1/10SR3901F  |      | R                 | 4555,4655,4755      | RS1/10SR4702F  |
|      | R   | 4150,4250,4350,4450 | RS1/10SR2200F  |      | R                 | 4566,4666,4766,5001 | RS1/10SR1002F  |
|      | R   | 4152,4157,4252,4257 | RS1/10SR6802F  |      | R                 | 4568,4668,4768      | RS1/10SR7502F  |
|      | R   | 4154,4254,4354,4454 | ACN7186        |      | R                 | 4569,4669,4769      | RS1/10SR3902F  |
|      |     |                     |                |      | R                 | 4573,4579,4673,4679 | RS1/8SQ124J    |
|      | R   | 4155,4255,4355,4455 | RS1/10SR4702F  |      |                   |                     |                |
|      | R   | 4166,4266,4366,4466 | RS1/10SR1002F  |      | R                 | 4574,4674,4774      | RS1/8SQ102J    |
|      | R   | 4168,4268,4368,4468 | RS1/10SR7502F  | ⚠    | R                 | 4581,4681,4781      | NTCG104KF104FB |
|      | R   | 4169,4269,4369,4469 | RS1/10SR3902F  |      | R                 | 4593,4693,4793      | RS1/8SQ1R0J    |
|      | R   | 4173,4179,4273,4279 | RS1/8SQ124J    |      | R                 | 4595-4598,4686      | RS1/8SQR47J    |
|      |     |                     |                |      | R                 | 4620,4667,4719,4720 | RS1/10SR1001F  |
| ⚠    | R   | 4174,4274,4374,4474 | RS1/8SQ102J    |      |                   |                     |                |
|      | R   | 4181,4281,4381,4481 | NTCG104KF104FB |      | R                 | 4640,4641,4737,4740 | ACN7165        |
|      | R   | 4186,4195-4198,4286 | RS1/8SQR47J    |      | R                 | 4687,4688,4787,4788 | ACN7180        |
|      | R   | 4187,4387,4587,4782 | RS1/4SA390J    |      | R                 | 4695-4698,4786      | RS1/8SQR47J    |
|      | R   | 4188,4388,4588,4783 | RS1/4SA470J    |      | R                 | 4701,4763           | RS1/10SR2701F  |
|      |     |                     |                |      | R                 | 4703,4762           | RS1/4SA103J    |
|      | R   | 4193,4293,4393,4493 | RS1/8SQ1R0J    |      |                   |                     |                |
|      | R   | 4220,4267,4319,4320 | RS1/10SR1001F  |      | R                 | 4711-4714           | RS1/4SA2R2J    |
|      | R   | 4240,4241,4337,4340 | ACN7165        |      | R                 | 4716,4778           | ACN7198        |
|      | R   | 4287,4288,4487,4488 | ACN7180        |      | R                 | 4717,5007,5008,5190 | RS1/4SA105J    |
|      | R   | 4295-4298,4386      | RS1/8SQR47J    |      | R                 | 4722,4723           | ACN7196        |
|      |     |                     |                |      | R                 | 4730,4734           | RS1/8SQ103J    |
|      | R   | 4301,4363,4401,4463 | RS1/10SR2701F  |      |                   |                     |                |
|      | R   | 4303,4362,4403,4462 | RS1/4SA103J    |      | R                 | 4731,4735           | RS1/8SQ752J    |
|      | R   | 4311-4314,4411-4414 | RS1/4SA2R2J    |      | R                 | 4732,4761           | RS1/8SQ822J    |
|      | R   | 4316,4378,4416,4478 | ACN7198        |      | R                 | 4733,4777           | ACN7197        |
|      | R   | 4322,4323,4422,4423 | ACN7196        |      | R                 | 4741                | ACN7165        |
|      |     |                     |                |      | R                 | 4742,4743           | ACN7189        |
|      | R   | 4330,4334,4430,4434 | RS1/8SQ103J    |      |                   |                     |                |
|      | R   | 4331,4335,4431,4435 | RS1/8SQ752J    |      | R                 | 4745,4756           | RS1/10SR8201F  |
|      | R   | 4332,4361,4432,4461 | RS1/8SQ822J    |      | R                 | 4752,4757           | RS1/10SR6802F  |
|      | R   | 4333,4377,4433,4477 | ACN7197        |      | R                 | 4765,5165           | RS1/4SA100J    |
|      | R   | 4341,4437,4440,4441 | ACN7165        |      | R                 | 4767,5000           | RS1/10SR1001F  |
|      |     |                     |                |      | R                 | 4773,4779,5199      | RS1/8SQ124J    |
|      | R   | 4342,4343,4442,4443 | ACN7189        |      |                   |                     |                |
|      | R   | 4345,4356,4445,4456 | RS1/10SR8201F  |      | R                 | 4795-4798           | RS1/8SQR47J    |
|      | R   | 4352,4357,4452,4457 | RS1/10SR6802F  |      | R                 | 5003,5004           | ACN7180        |
|      | R   | 4367,4419,4420,4467 | RS1/10SR1001F  |      | R                 | 5011,5015,5107      | RS1/8SQ1003F   |
|      | R   | 4373,4379,4473,4479 | RS1/8SQ124J    |      | R                 | 5014                | RS1/8SQ4701F   |
|      |     |                     |                |      | R                 | 5016,5102,5106      | RS1/8SQ0R0J    |
|      | R   | 4395-4398,4486      | RS1/8SQR47J    |      |                   |                     |                |
|      | R   | 4439,4539,4639,4739 | RS1/8SQ100J    |      | R                 | 5018,5100           | RS1/8SQ3301F   |
|      | R   | 4495-4498,4586      | RS1/8SQR47J    |      | R                 | 5019,5020,5108,5109 | RS1/8SQ101J    |
|      | R   | 4501,4563,4601,4663 | RS1/10SR2701F  |      | R                 | 5103                | RS1/8SQ9102F   |
|      | R   | 4503,4562,4603,4662 | RS1/4SA103J    |      | R                 | 5104                | RS1/8SQ3901F   |
|      |     |                     |                |      | R                 | 5105                | RS1/8SQ391J    |
|      | R   | 4511-4514,4611-4614 | RS1/4SA2R2J    |      |                   |                     |                |
|      | R   | 4515,4615,4715      | ACN7192        |      | R                 | 5111,5112,5116,5117 | RS1/8SQ224J    |
|      | R   | 4516,4578,4616,4678 | ACN7198        |      | R                 | 5113,5114,5118,5119 | RS1/8SQ223J    |
|      | R   | 4519,4520,4567,4619 | RS1/10SR1001F  |      | R                 | 5123,5124,5130,5131 | RS1/8SQ224J    |
|      | R   | 4522,4523,4622,4623 | ACN7196        |      | R                 | 5127,5132,5133      | RS1/8SQ223J    |
|      |     |                     |                |      | R                 | 5128,5137,5143,5150 | RS1/8SQ104J    |
|      | R   | 4527,4627,4727      | RS1/4SA104J    |      |                   |                     |                |
|      | R   | 4529,4629,4729      | RS1/8SQ182J    |      | R                 | 5134,5135,5140,5141 | RS1/8SQ224J    |
|      | R   | 4530,4534,4630,4634 | RS1/8SQ103J    |      | R                 | 5146,5148           | RS1/8SQ224J    |
|      | R   | 4531,4535,4631,4635 | RS1/8SQ752J    |      | R                 | 5187                | RS1/4SA390J    |
|      | R   | 4532,4561,4632,4661 | RS1/8SQ822J    |      | R                 | 5188                | RS1/4SA470J    |
|      |     |                     |                |      | Other Resistors   |                     | RS1/10SR###J   |
|      | R   | 4533,4577,4633,4677 | ACN7197        |      | <b>CAPACITORS</b> |                     |                |
|      | R   | 4536,4636,4736      | RS1/8SQ242J    |      | C                 | 4006,4086           | CKSRYB103K50   |
|      | R   | 4537,4540,4541,4637 | ACN7165        |      | C                 | 4007,4013,4040      | CCSRCH331J50   |
|      | R   | 4538,4638,4738      | RS1/8SQ4R7J    |      | C                 | 4008,4010,4036,4052 | ACH7321        |
|      | R   | 4542,4543,4642,4643 | ACN7189        |      | C                 | 4009,4014,4016,4087 | CCSRCH101J50   |
|      |     |                     |                |      | C                 | 4022,4026,4035,4113 | CKSRYB104K50   |
|      | R   | 4545,4556,4645,4656 | RS1/10SR8201F  |      |                   |                     |                |
|      | R   | 4548,4648,4748      | RS1/10SR3901F  |      |                   |                     |                |
|      | R   | 4550,4650,4750      | RS1/10SR2200F  |      |                   |                     |                |
|      | R   | 4552,4557,4652,4657 | RS1/10SR6802F  |      |                   |                     |                |
|      | R   | 4554,4654,4754      | ACN7186        |      |                   |                     |                |

| Mark | No. | Description         | Part No.       |
|------|-----|---------------------|----------------|
|      | C   | 4023,4110,4310,4510 | CEAK100M50     |
|      | C   | 4024,4065,4066,4166 | CEAK101M16     |
| A    | C   | 4057,4058           | ACH7305        |
|      | C   | 4063                | ACH7311        |
|      | C   | 4067,4068,4073,4074 | CFHXSQ103J16   |
|      | C   | 4069,4070           | CEAK221M10     |
|      | C   | 4077                | CCSRCH100D50   |
|      | C   | 4078,4079,4180,4280 | ACE7090        |
|      | C   | 4097                | CCSRCH101J50   |
|      | C   | 4100,4200,4300,4400 | CFTLA104J2A    |
|      | C   | 4101,4201,4301,4401 | CFTLA474J2A    |
|      | C   | 4105,4120,4123,4205 | CFHXSQ102J50   |
|      | C   | 4108,4109,4208,4209 | CEAK471M16-P35 |
| B    | C   | 4111,4121,4122,4211 | CFHXSQ103J16   |
|      | C   | 4112,4212,4312,4412 | CCG1255        |
|      | C   | 4119,4219,4319,4419 | ACG7110        |
|      | C   | 4134,4136,4234,4236 | ACH7376        |
|      | C   | 4149,4150,4249,4250 | ACH7359        |
|      | C   | 4156,4256,4356,4456 | CKSRYPB473K50  |
|      | C   | 4159,4160,4259,4260 | ACG7107        |
|      | C   | 4161,4175,4261,4275 | ACG7105        |
|      | C   | 4167,4266,4267,4366 | CEAK101M16     |
|      | C   | 4213,4313,4413,4513 | CKSRYPB104K50  |
|      | C   | 4220,4223,4305,4320 | CFHXSQ102J50   |
| C    | C   | 4221,4222,4311,4321 | CFHXSQ103J16   |
|      | C   | 4322,4411,4421,4422 | CFHXSQ103J16   |
|      | C   | 4323,4405,4420,4423 | CFHXSQ102J50   |
|      | C   | 4334,4336,4434,4436 | ACH7376        |
|      | C   | 4349,4350,4449,4450 | ACH7359        |
|      | C   | 4359,4360,4459,4460 | ACG7107        |
|      | C   | 4361,4375,4461,4475 | ACG7105        |
|      | C   | 4367,4466,4467,4566 | CEAK101M16     |
|      | C   | 4380,4480,4580,4680 | ACE7090        |
|      | C   | 4408,4409,4608,4609 | CEAK471M16-P35 |
|      | C   | 4500,4600,4700      | CFTLA104J2A    |
| D    | C   | 4501,4601,4701      | CFTLA474J2A    |
|      | C   | 4505,4520,4523,4605 | CFHXSQ102J50   |
|      | C   | 4511,4521,4522,4611 | CFHXSQ103J16   |
|      | C   | 4512,4612,4712      | CCG1255        |
|      | C   | 4519,4619,4719      | ACG7110        |
|      | C   | 4534,4536,4634,4636 | ACH7376        |
|      | C   | 4549,4550,4649,4650 | ACH7359        |
|      | C   | 4556,4656,4756      | CKSRYPB473K50  |
|      | C   | 4559,4560,4659,4660 | ACG7107        |
|      | C   | 4561,4575,4661,4675 | ACG7105        |
| E    | C   | 4567,4666,4667,4766 | CEAK101M16     |
|      | C   | 4613,4713           | CKSRYPB104K50  |
|      | C   | 4620,4623,4705,4720 | CFHXSQ102J50   |
|      | C   | 4621,4622,4711,4721 | CFHXSQ103J16   |
|      | C   | 4708,4709           | CEAK471M16-P35 |
|      | C   | 4710,5110           | CEAK100M50     |
|      | C   | 4722                | CFHXSQ103J16   |
|      | C   | 4723,5000           | CFHXSQ102J50   |
|      | C   | 4734,4736           | ACH7376        |
|      | C   | 4749,4750           | ACH7359        |
|      | C   | 4759,4760           | ACG7107        |
| F    | C   | 4761,4775           | ACG7105        |
|      | C   | 4767                | CEAK101M16     |
|      | C   | 4780,5080,5180      | ACE7090        |

| Mark | No. | Description             | Part No.      |
|------|-----|-------------------------|---------------|
|      |     | <b>P PRIMARY ASSY</b>   |               |
|      |     | <b>SEMICONDUCTORS</b>   |               |
|      | ⚠   | IC 1                    | STR2A153      |
|      | ⚠   | IC 52                   | NJM1431AF     |
|      |     | Q 71                    | 2SD2704K      |
|      | ⚠   | D 1                     | D2SB60A       |
|      | ⚠   | D 2,5                   | SARS01LF-F7   |
|      | ⚠   | D 3                     | SJPL-D2       |
|      |     | D 4                     | KDZ36B        |
|      | ⚠   | D 50                    | FMEN-220A     |
|      |     | D 71,72                 | 1SS355        |
|      |     | <b>MISCELLANEOUS</b>    |               |
|      | ⚠   | L 1 LINE FILTER         | ATF7046       |
|      |     | L 51 COIL               | ATH7080       |
|      | ⚠   | L 71 LINE FILTER        | XTF3004       |
|      |     | H 1,2,71,72 FUSE CLIP   | AKR1004       |
|      | ⚠   | JA 71 AC INLET ASSY     | ADX7513       |
|      |     | KN 1,2 SCREW PLATE      | VNE1948       |
|      |     | KN 50,52 EARTH TERMINAL | AKF7002       |
|      | ⚠   | RY 71 POWER RELAY       | ASR7034       |
|      | ⚠   | T 1 POWER TRANSFORMER   | ATK7006       |
|      | ⚠   | CN 81 CONNECTOR         | B2P3-VH       |
|      |     | 1 HEAT SINK(AL)         | ANH7224       |
|      |     | 2 SCREW                 | BBZ30P080FCC  |
|      |     | JP 51 HOUSING           | ADX7792       |
|      | ⚠   | PC 1 PHOTO COUPLER      | TLP781(GR)    |
|      |     | <b>RESISTORS</b>        |               |
|      |     | R 1                     | RS1LMF680J    |
|      |     | R 2                     | ACN7200       |
|      |     | R 3                     | RS1LMFR68J    |
|      |     | R 5                     | RS1/8SQ120J   |
|      |     | R 6                     | RS1/8SQ471J   |
|      | ⚠   | R 9-11                  | ACN7173       |
|      |     | R 53                    | RS1/10SR3001F |
|      |     | R 54                    | RS1/10SR7501F |
|      |     | R 56                    | RS1/10SR8201F |
|      |     | R 57                    | ACN7180       |
|      |     | R 59                    | RS1/8SQ365J   |
|      |     | R 74                    | RS1/8SQ105J   |
|      |     | Other Resistors         | RS1/10SR###J  |
|      |     | <b>CAPACITORS</b>       |               |
|      | ⚠   | C 1                     | ACE7071       |
|      |     | C 3                     | ACH7342       |
|      |     | C 4                     | ACE7095       |
|      |     | C 5                     | ACH7385       |
|      |     | C 6                     | ACG7112       |
|      | ⚠   | C 12,21                 | VCG1046       |
|      |     | C 52                    | BCH1044       |
|      |     | C 53,56                 | CKSRYPB104K50 |
|      |     | C 55                    | CCSRCH331J50  |
|      |     | C 58                    | ACH7369       |
|      |     | C 61                    | CCSRCH100D50  |
|      | ⚠   | C 73                    | XCG3010       |
|      |     | C 74,75                 | CCSRCH220J50  |



**Mark No. Description Part No.**



## B-DIODE\_SS ASSY

### SEMICONDUCTORS

|               |              |
|---------------|--------------|
| △ IC 7501     | NJM78M12FA   |
| △ IC 7502     | NJM79M12FA   |
| △ D 7501-7504 | 1SR154-400   |
| D 7506,7507   | 1SS355       |
| △ D 7511,7512 | LN6SB60-4003 |

### MISCELLANEOUS

|                              |          |
|------------------------------|----------|
| H 7501-7504 FUSE CLIP        | AKR1004  |
| CN7501 5P TOP POST           | B5B-EH   |
| CN7502 PLUG(4P)              | KM200NA4 |
| CN7503 PLUG                  | CKS-556  |
| JH 7501,7503,7506 PCB BINDER | AEF7008  |

### RESISTORS

|                 |              |
|-----------------|--------------|
| R 7517          | RD1/4MUF100J |
| R 7518,7519     | ACN7180      |
| R 7520,7521     | RS1/4SA105J  |
| Other Resistors | RS1/8SQ###J  |

### CAPACITORS

|             |             |
|-------------|-------------|
| C 7503      | CEAK332M25  |
| C 7504      | CFTLA394J50 |
| C 7511      | CEAK222M25  |
| C 7515,7516 | CEAK221M35  |
| C 7527,7528 | ACH7387     |
| C 7529,7530 | CFTLA104J2A |



## V-REG\_SS ASSY

### SEMICONDUCTORS

|           |                 |
|-----------|-----------------|
| △ IC 7551 | NJM78M12FA      |
| △ IC 7552 | NJM78M05FA      |
| IC 7901   | S-80848CNMC-B89 |
| Q 7161    | 2SC4081         |
| Q 7901    | 2SA1037K        |

|                         |            |
|-------------------------|------------|
| Q 7902-7905             | 2SD2704K   |
| D 7161,7162,7556,7902   | 1SS355     |
| △ D 7551,7554,7555      | 1SR154-400 |
| △ D 7557-7559,7574,7575 | 1SR154-400 |
| D 7561,7562,7564        | DZ2J051M0  |

|             |          |
|-------------|----------|
| D 7563      | PTZ22(B) |
| D 7901,7903 | DAN202U  |

### MISCELLANEOUS

|                       |          |
|-----------------------|----------|
| H 7551-7554 FUSE CLIP | AKR1004  |
| CN7551 5P TOP POST    | B5B-EH   |
| CN7553 PLUG(7P)       | KM200NA7 |
| CN7554 PLUG(4P)       | KM200NA4 |
| CN7901 31P CONNECTOR  | VKN1262  |

|                          |           |
|--------------------------|-----------|
| CN7902 B TO B 11PIN JACK | AKN7067   |
| CN7903 39P CONNECTOR     | VKN2097   |
| CN7904 B TO B 23PIN JACK | AKN7073   |
| CN7905,7907 CONNECTOR    | 9604S-15C |
| CN7906 B TO B CONNECTOR  | AKM7222   |

|                         |              |
|-------------------------|--------------|
| 7551,7553 SCREW         | BBZ30P080FCC |
| 7552,7554 HEAT SINK     | ANH7251      |
| JH 7902,7903 PCB BINDER | AEF7008      |

**Mark No. Description Part No.**

### RESISTORS

|                  |              |
|------------------|--------------|
| R 7171,7938-7940 | RS1/8SQ0R0J  |
| △ R 7552         | RD1/4MUF4R7J |
| △ R 7555         | RD1/4MUF391J |
| R 7558           | RS1/8SQ225J  |
| R 7904,7907      | RS1/8SQ105J  |

Other Resistors

RS1/10SR###J

### CAPACITORS

|             |             |
|-------------|-------------|
| C 7554      | CEAK471M35  |
| C 7555      | CEAK100M50  |
| C 7557      | CEAK102M35  |
| C 7559,7560 | CFTLA104J50 |
| C 7561      | CEANP101M35 |

|                       |              |
|-----------------------|--------------|
| C 7563                | CEAK221M35   |
| C 7566                | CEAK101M35   |
| C 7568,7579,7582,7930 | CCSRCH101J50 |
| C 7569                | CKSRYB103K50 |
| C 7571                | CEAK470M50   |

|                       |              |
|-----------------------|--------------|
| C 7572,7584           | CEAK101M16   |
| C 7573                | CEAK472M16   |
| C 7902,7918,7920,7921 | CCSRCH100D50 |
| C 7925,7935,7937,7942 | CCSRCH100D50 |
| C 7929                | CKSRYB105K16 |

|             |              |
|-------------|--------------|
| C 7959,7962 | CCSRCH100D50 |
|-------------|--------------|



## D-AUDIO BRIDGE1\_SS ASSY

### MISCELLANEOUS

|                                |         |
|--------------------------------|---------|
| CN 3771,3772 B TO B 23PIN PLUG | AKM7107 |
|--------------------------------|---------|

### RESISTORS

|               |             |
|---------------|-------------|
| All Resistors | RS1/8SQ###J |
|---------------|-------------|



## D-AUDIO BRIDGE2\_SS ASSY

### MISCELLANEOUS

|                                |         |
|--------------------------------|---------|
| CN 7181,7183 B TO B 23PIN PLUG | AKM7107 |
| CN 7182,7184 B TO B 13PIN PLUG | AKM7102 |



## BT\_SS ASSY

### MISCELLANEOUS

|                          |         |
|--------------------------|---------|
| JA 8801 CONNECTOR        | CKS5712 |
| KN 8801 SCREW PLATE      | VNE1948 |
| CN 8801 B TO B 9PIN PLUG | AKM7100 |

### RESISTORS

|               |              |
|---------------|--------------|
| All Resistors | RS1/16SS###J |
|---------------|--------------|

### CAPACITORS

|        |              |
|--------|--------------|
| C 8808 | CCSSCH100D50 |
| C 8809 | CEAK100M50   |

Mark No. Description Part No.

**V** B TO B LOCK\_SS ASSY  
B TO B LOCK\_SS ASSY has no service parts.

**W** MIC HP GUARD ASSY

**MISCELLANEOUS**  
JH 5921,5924 PCB BINDER AEF7008

**X** P WIRE GUARD\_SS ASSY  
P WIRE GUARD\_SS ASSY has no service parts.

**Y** FFC GUARD\_SS ASSY  
FFC GUARD\_SS ASSY has no service parts.

**Z** TRANS VREG STYL\_SS ASSY  
TRANS VREG STYL\_SS ASSY has no service parts.

**AA** PANEL GUARD ASSY  
PANEL GUARD ASSY has no service parts.

D

E

F