

# Pioneer

## Service Manual



SC-72

ORDER NO.  
**RRV4460**

AV RECEIVER

# SC-72

## SC-1328-K

## SC-1323-K

## SC-2023

THIS MANUAL IS APPLICABLE TO THE FOLLOWING MODEL(S) AND TYPE(S).

Model	Type	Power Requirement	Remarks
SC-72	CUXJ	AC 120V	
SC-1328-K	CUXJ	AC 120V	
SC-1323-K	UXJCB	AC 120V	
SC-2023	JXJ	AC 100V	

THIS SERVICE MANUAL SHOULD BE USED TOGETHER WITH THE FOLLOWING MANUAL(S).

Model No.	Order No.	Remarks
SC-72, SC-1328-K, SC-1323-K	RRV4448	BLOCK DIAGRAM, EXPLODED VIEWS AND PARTS LIST etc.



**PIONEER CORPORATION** 1-1, Shin-ogura, Saiwai-ku, Kawasaki-shi, Kanagawa 212-0031, Japan

**PIONEER ELECTRONICS (USA) INC.** P.O. Box 1760, Long Beach, CA 90801-1760, U.S.A.

**PIONEER EUROPE NV** Haven 1087, Keetberglaan 1, 9120 Melsele, Belgium

**PIONEER ELECTRONICS ASIACENTRE PTE. LTD.** 253 Alexandra Road, #04-01, Singapore 159936

©PIONEER CORPORATION 2013

K-FZV JULY 2013 Printed in Japan

# SAFETY INFORMATION



This service manual is intended for qualified service technicians ; it is not meant for the casual do-it-yourselfer. Qualified technicians have the necessary test equipment and tools, and have been trained to properly and safely repair complex products such as those covered by this manual.

Improperly performed repairs can adversely affect the safety and reliability of the product and may void the warranty. If you are not qualified to perform the repair of this product properly and safely, you should not risk trying to do so and refer the repair to a qualified service technician.

### WARNING

This product contains lead in solder and certain electrical parts contain chemicals which are known to the state of California to cause cancer, birth defects or other reproductive harm.

Health & Safety Code Section 25249.6 - Proposition 65

### NOTICE

(FOR CANADIAN MODEL ONLY)

Fuse symbols (fast operating fuse) and/or (slow operating fuse) on PCB indicate that replacement parts must be of identical designation.

### REMARQUE

(POUR MODÈLE CANADIEN SEULEMENT)

Les symboles de fusible (fusible de type rapide) et/ou (fusible de type lent) sur CCI indiquent que les pièces de remplacement doivent avoir la même désignation.

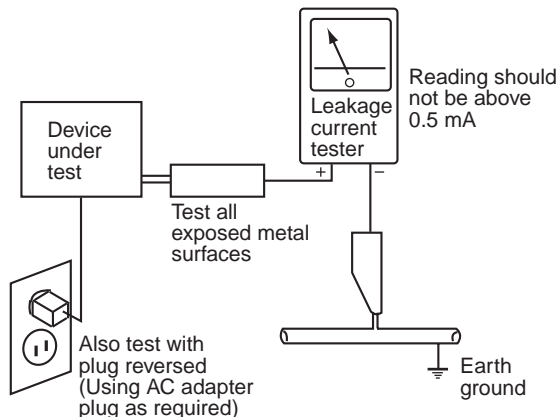
(FOR USA MODEL ONLY)

## 1. SAFETY PRECAUTIONS

The following check should be performed for the continued protection of the customer and service technician.

### LEAKAGE CURRENT CHECK

Measure leakage current to a known earth ground (water pipe, conduit, etc.) by connecting a leakage current tester such as Simpson Model 229-2 or equivalent between the earth ground and all exposed metal parts of the appliance (input/output terminals, screwheads, metal overlays, control shaft, etc.). Plug the AC line cord of the appliance directly into a 120V AC 60 Hz outlet and turn the AC power switch on. Any current measured must not exceed 0.5 mA.



AC Leakage Test

**ANY MEASUREMENTS NOT WITHIN THE LIMITS OUTLINED ABOVE ARE INDICATIVE OF A POTENTIAL SHOCK HAZARD AND MUST BE CORRECTED BEFORE RETURNING THE APPLIANCE TO THE CUSTOMER.**

## 2. PRODUCT SAFETY NOTICE

Many electrical and mechanical parts in the appliance have special safety related characteristics. These are often not evident from visual inspection nor the protection afforded by them necessarily can be obtained by using replacement components rated for voltage, wattage, etc. Replacement parts which have these special safety characteristics are identified in this Service Manual.

Electrical components having such features are identified by marking with a on the schematics and on the parts list in this Service Manual.

The use of a substitute replacement component which does not have the same safety characteristics as the PIONEER recommended replacement one, shown in the parts list in this Service Manual, may create shock, fire, or other hazards.

Product Safety is continuously under review and new instructions are issued from time to time. For the latest information, always consult the current PIONEER Service Manual. A subscription to, or additional copies of, PIONEER Service Manual may be obtained at a nominal charge from PIONEER.

# CONTENTS

SAFETY INFORMATION.....	2	
10. SCHEMATIC DIAGRAM .....	6	
10.1 OVERALL WIRING DIAGRAM .....	6	A
10.2 AUDIO ASSY (1/4).....	8	
10.3 AUDIO ASSY (2/4).....	10	
10.4 AUDIO ASSY (3/4).....	12	
10.5 AUDIO ASSY (4/4).....	14	
10.6 FILTER_S ASSY .....	16	
10.7 FRONT HDMI USB ASSY .....	18	
10.8 USB RECT_S ASSY and OPT COAX_S ASSY .....	20	
10.9 DIGITAL MAIN_L ASSY (1/11) .....	22	
10.10 DIGITAL MAIN_L ASSY (2/11) .....	24	
10.11 DIGITAL MAIN_L ASSY (3/11) .....	26	
10.12 DIGITAL MAIN_L ASSY (4/11) .....	28	
10.13 DIGITAL MAIN_L ASSY (5/11) .....	30	B
10.14 DIGITAL MAIN_L ASSY (6/11) .....	32	
10.15 DIGITAL MAIN_L ASSY (7/11) .....	34	
10.16 DIGITAL MAIN_L ASSY (8/11) .....	36	
10.17 DIGITAL MAIN_L ASSY (9/11) .....	38	
10.18 DIGITAL MAIN_L ASSY (10/11) .....	40	
10.19 DIGITAL MAIN_L ASSY (11/11) .....	42	
10.20 INTERFACE_S ASSY .....	44	
10.21 COMPONENT ASSY (1/3) .....	46	
10.22 COMPONENT ASSY (2/3) .....	48	
10.23 COMPONENT ASSY (3/3) .....	50	
10.24 COMPOSITE ASSY.....	52	
10.25 MIC HP ASSY.....	54	C
10.26 DISPLAY ASSY (1/2).....	56	
10.27 DISPLAY ASSY (2/2).....	58	
10.28 VOL ASSY, POWER SW ASSY and ENCODER ASSY .....	60	
10.29 IR BUFFER_S ASSY (1/2) .....	62	
10.30 IR BUFFER_S ASSY (2/2) .....	64	
10.31 BUFFER GND_S ASSY and IR INTERFACE_S ASSY .....	66	
10.32 D-AMP_S ASSY (1/10).....	68	
10.33 D-AMP_S ASSY (2/10).....	70	
10.34 D-AMP_S ASSY (3/10).....	72	
10.35 D-AMP_S ASSY (4/10).....	74	
10.36 D-AMP_S ASSY (5/10).....	76	
10.37 D-AMP_S ASSY (6/10).....	78	D
10.38 D-AMP_S ASSY (7/10).....	80	
10.39 D-AMP_S ASSY (8/10).....	82	
10.40 D-AMP_S ASSY (9/10).....	84	
10.41 D-AMP_S ASSY (10/10).....	86	
10.42 PRIMARY ASSY (1/2).....	88	
10.43 PRIMARY ASSY (2/2).....	90	
10.44 A-REG_S ASSY .....	92	
10.45 IR REG_S ASSY (1/2) .....	94	
10.46 IR REG_S ASSY (2/2) .....	96	
10.47 V-REG_S ASSY (1/3) .....	97	
10.48 V-REG_S ASSY (2/3) .....	98	E
10.49 V-REG_S ASSY (3/3) .....	100	
10.50 VREG CHILD_S ASSY.....	101	
10.51 CONNECT_S ASSY .....	102	
10.52 A-FILTER BRIDGE_S ASSY .....	103	
10.53 D-AUDIO BRIDGE ASSY .....	104	
10.54 D-FILTER BRIDGE_S ASSY .....	105	
10.55 PRE BRIDGE_S ASSY.....	106	
10.56 FAN CONNECT ASSY and BT_S ASSY .....	107	
10.57 MIC HP GUARD, BIND DM CABLE_S, P WIRE GUARD_S, FFC GUARD_S, BINDFAN CABLE_S and TRANS VREG STYL_S ASSYS.....	108	
10.58 VREG GUARD, PANEL GUARD and IR EDGE GUARD_S ASSYS.....	109	F

- 11. PCB CONNECTION DIAGRAM ..... 110
  - 11.1 AUDIO ASSY ..... 110
  - 11.2 FILTER\_S ASSY ..... 114
  - 11.3 FRONT HDMI USB ASSY, USB RECT\_S ASSY and OPT COAX\_S ASSY ..... 116
  - 11.4 DIGITAL MAIN\_L ASSY ..... 118
  - 11.5 INTERFACE\_S ASSY ..... 122
  - 11.6 COMPONENT ASSY ..... 124
  - 11.7 COMPOSITE ASSY ..... 126
  - 11.8 MIC HP, DISPLAY, VOL, POWER SW and ENCODER ASSYS ..... 128
  - 11.9 IR BUFFER\_S ASSY ..... 132
  - 11.10 BUFFER GND\_S ASSY and IR INTERFACE\_S ASSY ..... 136
  - 11.11 D-AMP\_S ASSY ..... 138
  - 11.12 PRIMARY ASSY ..... 144
  - 11.13 A-REG\_S ASSY and IR REG\_S ASSY ..... 146
  - 11.14 V-REG\_S ASSY ..... 150
  - 11.15 VREG CHILD\_S, CONNECT\_S and A-FILTER BRIDGE\_S ASSYS ..... 152
  - 11.16 D-AUDIO BRIDGE, D-FILTER BRIDGE\_S, PRE BRIDGE\_S and FAN CONNECT ASSYS ..... 154
  - 11.17 BT\_S ASSY and MIC HP GUARD ASSY ..... 156
  - 11.18 BIND DM CABLE\_S, P WIRE GUARD\_S, FFC GUARD\_S, BAINDFAN CABLE\_S and TRANS VREG STYL\_S ASSYS ..... 158
  - 11.19 VREG GUARD ASSY, PANEL GUARD ASSY and IR EDGE GUARD\_S ASSY ..... 160
- 12. PCB PARTS LIST ..... 161

A

B

C

D

E

F

■

5

■

6

■

7

■

8

■

A

■

B

■

C

■

D

■

E

■

F

■

5

■

6

SC-72

■

7

■

8

5

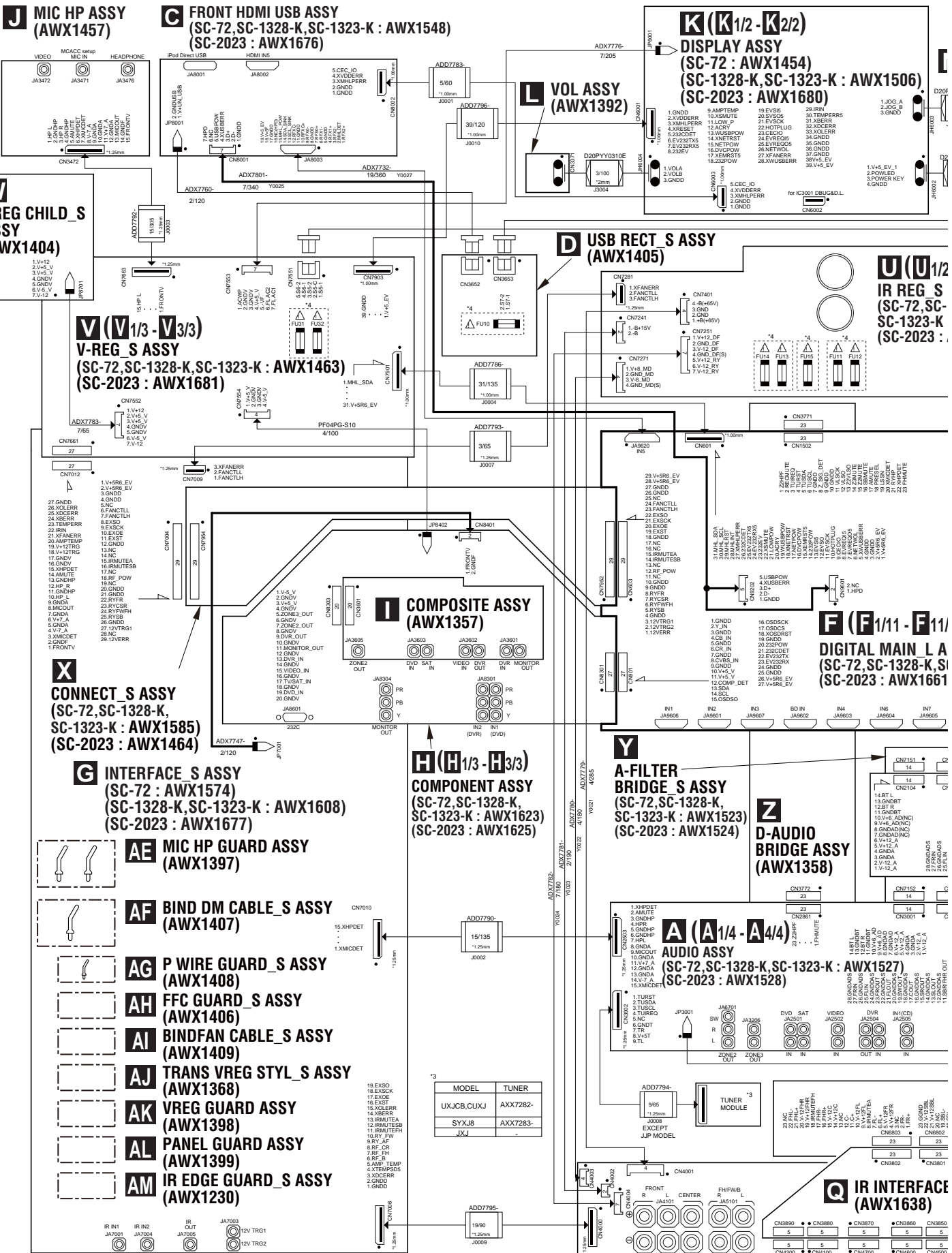
■

# 10. SCHEMATIC DIAGRAM

## 10.1 OVERALL WIRING DIAGRAM

1 2 3 4

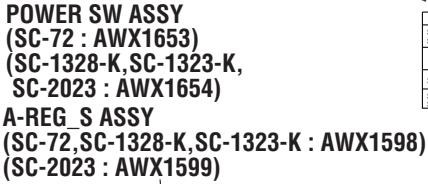
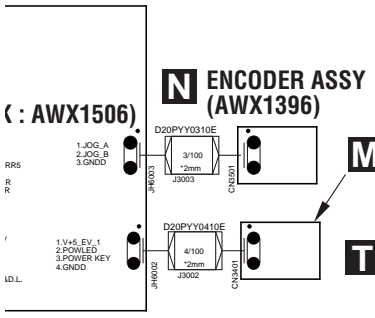
A B C D E F



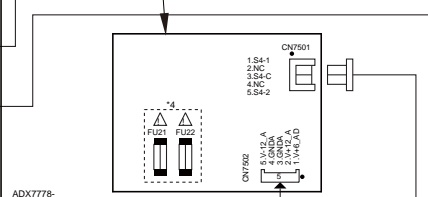
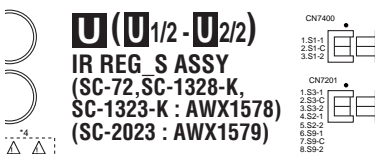
SC-72

1 2 3 4

● When ordering service parts, be sure to refer to "EXPLODED VIEWS and PARTS LIST" or "PCB PARTS LIST".  
 ● The ⚠ mark found on some component parts indicates the importance of the safety factor of the part. Therefore, when replacing, be sure to use parts of identical designation.

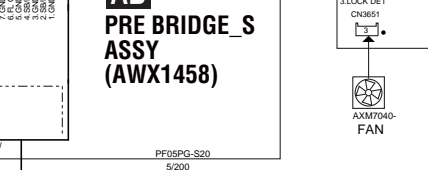
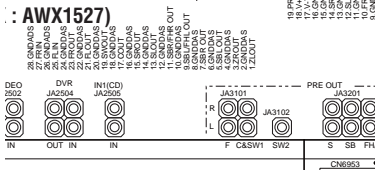
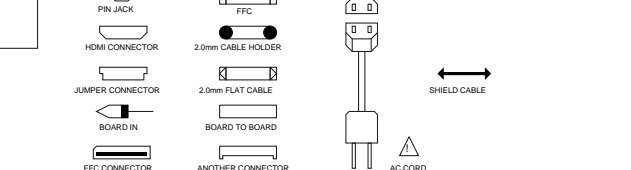
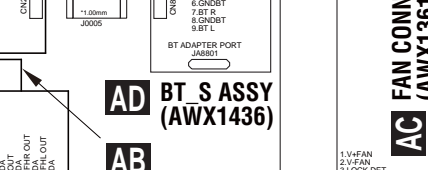
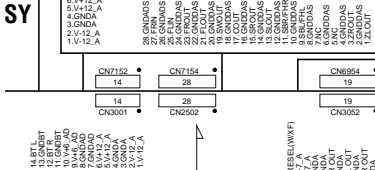
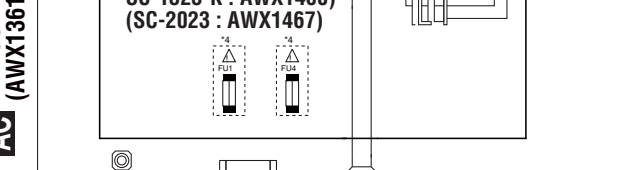
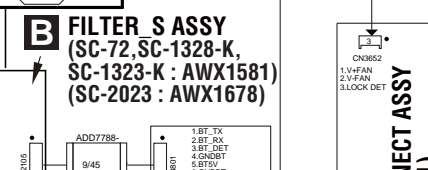
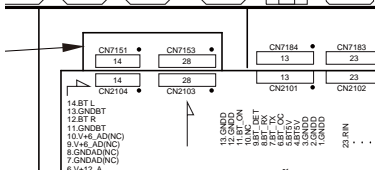
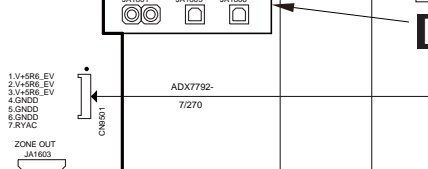
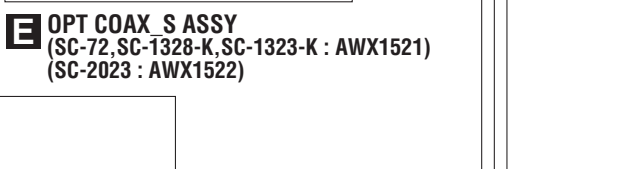
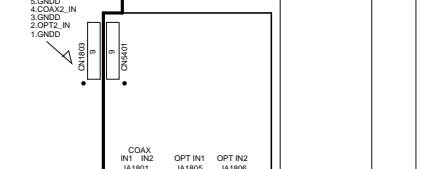
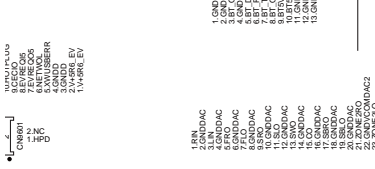
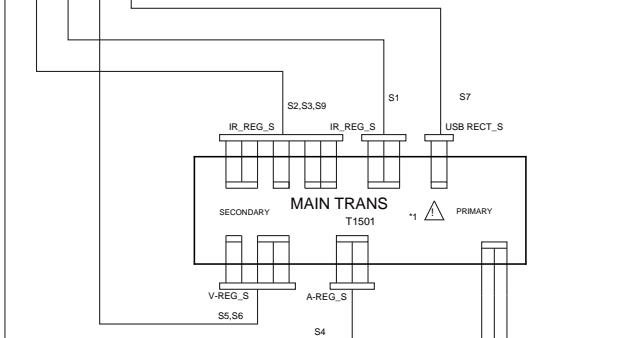
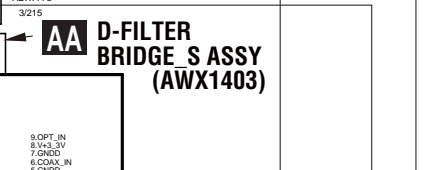
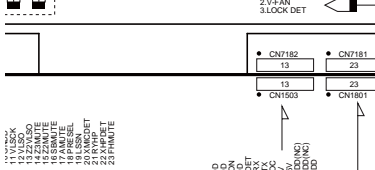


MODEL	FU1	FU4	FU10	FU11,FU12	FU13,FU14	FU15	FU21,FU22	FU31,FU32
SC-72 SC-1328-K	CUXJ	REK1154 (T0A H250V)	REK1139 (T2A H250V)	REK1151 (5A L250V)	REK1143 (1.25A L250V)	REK1142 (1A L250V)	REK1143 (1.25A L250V)	REK1144 (1.6A L250V)
SC-1323-K	UXJCB	REK1154 (T0A H250V)	REK1139 (T2A H250V)	REK1151 (5A L250V)	REK1143 (1.25A L250V)	REK1142 (1A L250V)	REK1143 (1.25A L250V)	REK1144 (1.6A L250V)
SC-2023	JXJ	REK1154 (T0A H250V)	REK1139 (T2A H250V)	REK1151 (5A L250V)	REK1143 (1.25A L250V)	REK1142 (1A L250V)	REK1143 (1.25A L250V)	REK1144 (1.6A L250V)
SC-2023-K SC-2023-S	SYXJB	AEK1061 (T5A L250V)	REK1104 (T4A H250V)	AEK1061 (T5A L250V)	AEK7073 (T1A L250V)	AEK7072 (T80mA L250V)	AEK7073 (T1A L250V)	AEK7072 (T80mA L250V)

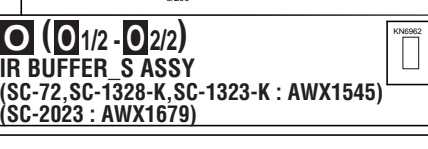
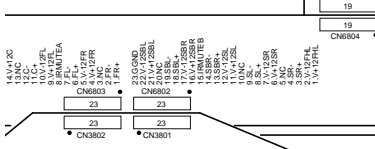


CAUTION - FOR CONTINUED PROTECTION AGAINST RISK OF FIRE, REPLACE WITH SAME TYPE AND RATINGS OF FUSE.

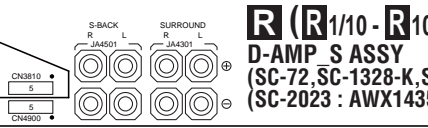
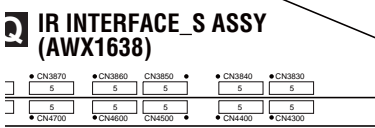
The ⚠ mark found on some component parts should be replaced with same parts (safety regulation authorized) of identical designation.



MODEL	MICROPHONE	REMO-COM
SC-72 SC-1328-K	CUXJ	AXD7694-
SC-1323-K	UXJCB	AXD7694-
SC-2023	JXJ	AXD7695-
SC-2023-K SC-2023-S	SYXJB	AXD7694-



MODEL	MAIN TRANS	AC CORD
SC-72 SC-1328-K	CUXJ	ADG7118-A
SC-1323-K	UXJCB	ADG7123-A
SC-2023-K SC-2023-S	SYXJB	ADG7121-A



# 10.2 AUDIO ASSY (1/4)

1

2

3

4

A

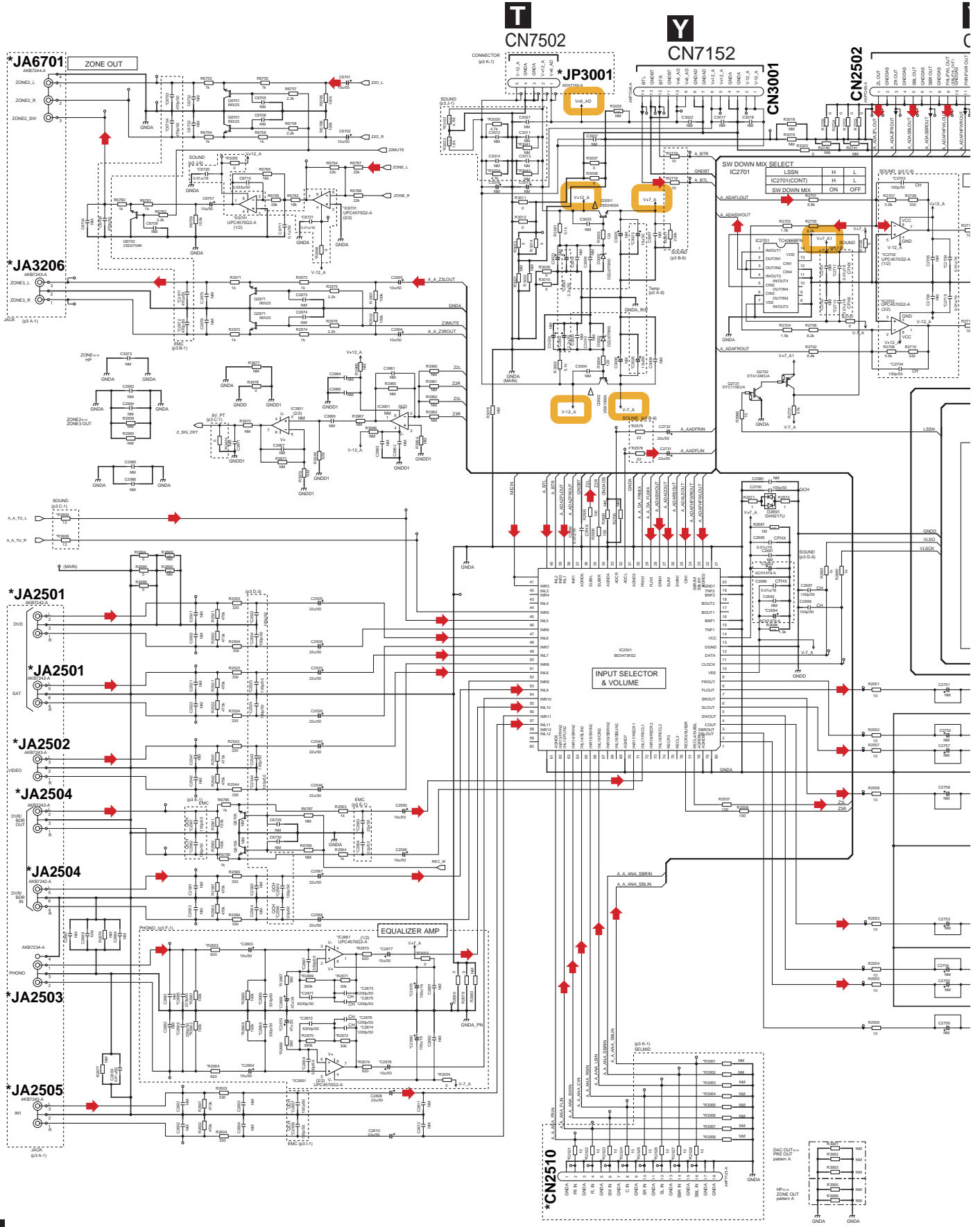
B

C

D

E

F



1

2

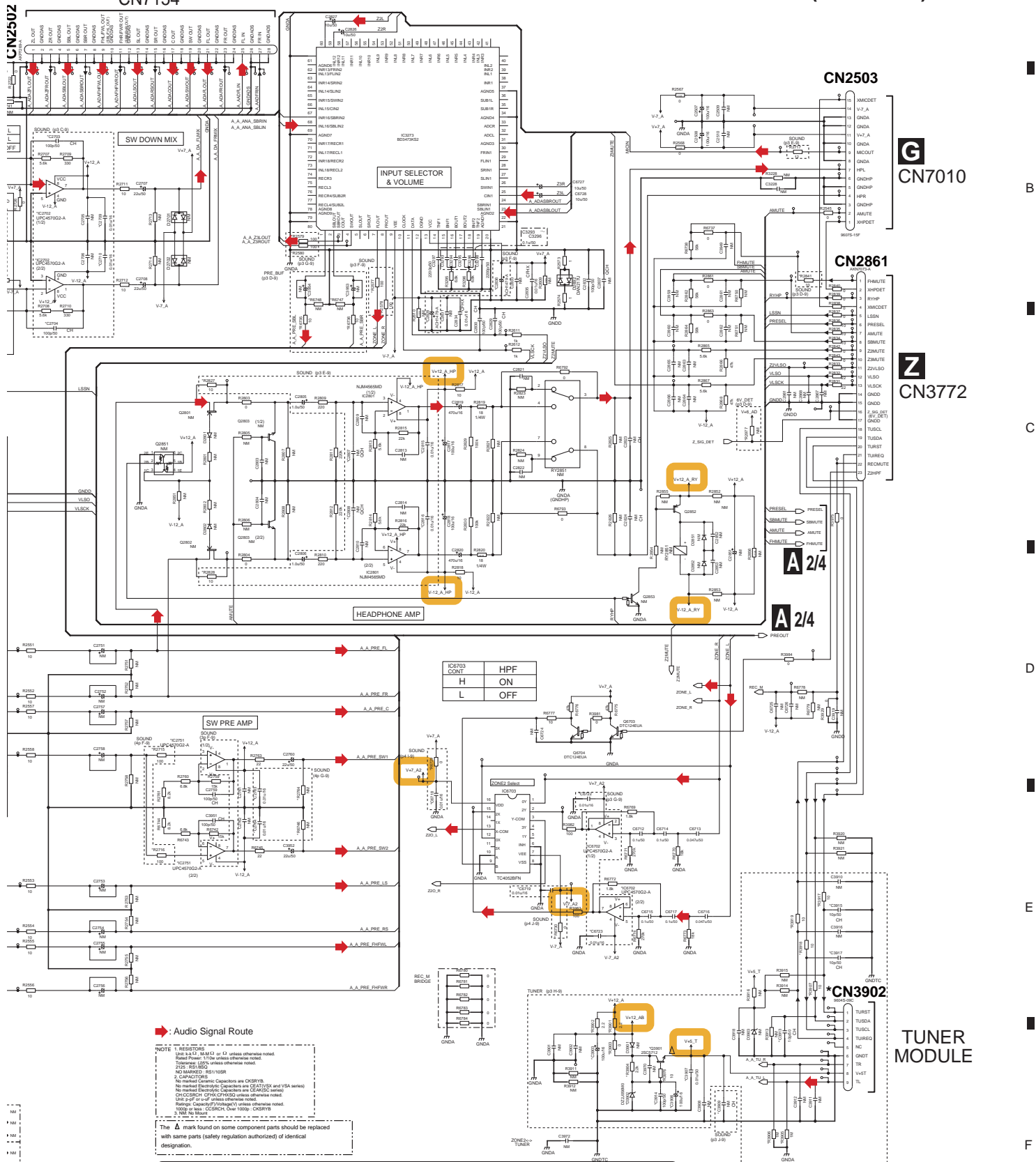
3

4



# A1/4 AUDIO ASSY (1/4) (AWX1527)

## Y CN7154



➔ : Audio Signal Route

- NOTE 1. RESISTORS**  
 R1-R14: 1/4W or 1/2W unless otherwise noted  
 R15-R18: 1/10W unless otherwise noted  
 R19: 1/8W  
 R20: 1/4W  
 R21: 1/2W  
 R22: 1/4W  
 R23: 1/2W  
 R24: 1/4W  
 R25: 1/2W  
 R26: 1/4W  
 R27: 1/2W  
 R28: 1/4W  
 R29: 1/2W  
 R30: 1/4W  
 R31: 1/2W  
 R32: 1/4W  
 R33: 1/2W  
 R34: 1/4W  
 R35: 1/2W  
 R36: 1/4W  
 R37: 1/2W  
 R38: 1/4W  
 R39: 1/2W  
 R40: 1/4W  
 R41: 1/2W  
 R42: 1/4W  
 R43: 1/2W  
 R44: 1/4W  
 R45: 1/2W  
 R46: 1/4W  
 R47: 1/2W  
 R48: 1/4W  
 R49: 1/2W  
 R50: 1/4W  
 R51: 1/2W  
 R52: 1/4W  
 R53: 1/2W  
 R54: 1/4W  
 R55: 1/2W  
 R56: 1/4W  
 R57: 1/2W  
 R58: 1/4W  
 R59: 1/2W  
 R60: 1/4W  
 R61: 1/2W  
 R62: 1/4W  
 R63: 1/2W  
 R64: 1/4W  
 R65: 1/2W  
 R66: 1/4W  
 R67: 1/2W  
 R68: 1/4W  
 R69: 1/2W  
 R70: 1/4W  
 R71: 1/2W  
 R72: 1/4W  
 R73: 1/2W  
 R74: 1/4W  
 R75: 1/2W  
 R76: 1/4W  
 R77: 1/2W  
 R78: 1/4W  
 R79: 1/2W  
 R80: 1/4W  
 R81: 1/2W  
 R82: 1/4W  
 R83: 1/2W  
 R84: 1/4W  
 R85: 1/2W  
 R86: 1/4W  
 R87: 1/2W  
 R88: 1/4W  
 R89: 1/2W  
 R90: 1/4W  
 R91: 1/2W  
 R92: 1/4W  
 R93: 1/2W  
 R94: 1/4W  
 R95: 1/2W  
 R96: 1/4W  
 R97: 1/2W  
 R98: 1/4W  
 R99: 1/2W  
 R100: 1/4W

The  $\Delta$  mark found on some component parts should be replaced with same parts (safety regulation authorized) of identical designation.

IC6703 CONT	HPF
H	ON
L	OFF

- When ordering service parts, be sure to refer to "EXPLODED VIEWS and PARTS LIST" or "PCB PARTS LIST".
- The  $\Delta$  mark found on some component parts indicates the importance of the safety factor of the part. Therefore, when replacing, be sure to use parts of identical designation.
- $\text{Ⓜ}$  : The power supply is shown with the marked box.

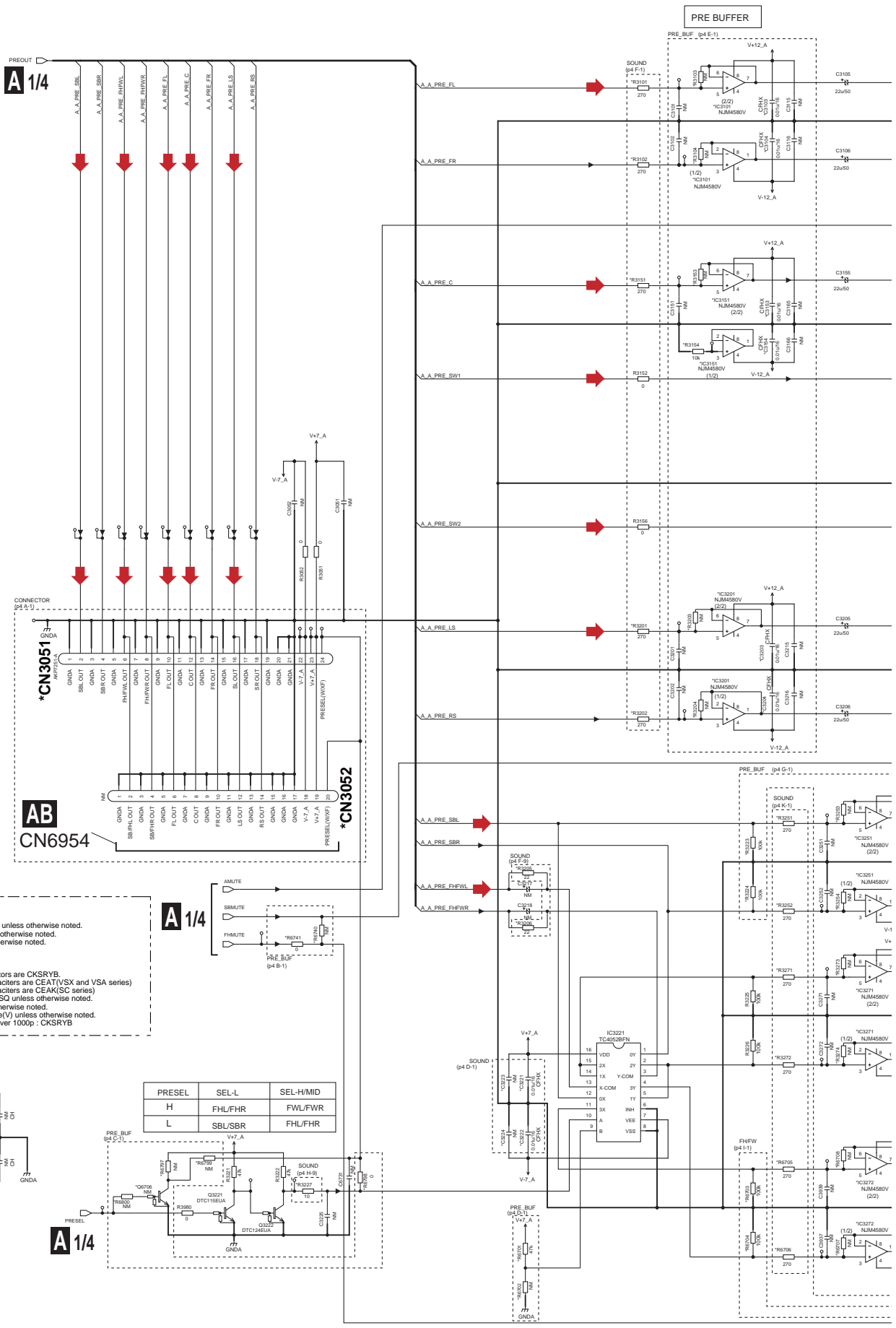
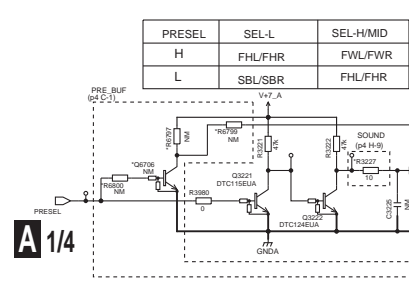
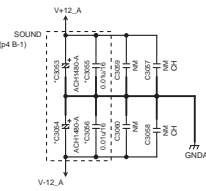
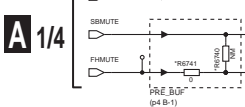
# A1/4

# 10.3 AUDIO ASSY (2/4)

1 2 3 4

A B C D E F

**NOTE**  
 1. RESISTORS  
 Unit: k kΩ, M MΩ or Ω unless otherwise noted.  
 Rated Power: 1/10W unless otherwise noted.  
 Tolerance: (J)5% unless otherwise noted.  
 2125 : RS1/8SQ  
 NO MARKED : RS1/10SR  
 2. CAPACITORS  
 No marked Ceramic Capacitors are CKSRYB.  
 No marked Electrolytic Capacitors are CEAT(VSX and VSA series)  
 No marked Electrolytic Capacitors are CEAK(SC series)  
 CH:CCSRCH CFHX:CFHXSQ unless otherwise noted.  
 Unit: p-pF or u-uF unless otherwise noted.  
 Ratings: Capacitance(F)/Voltage(V) unless otherwise noted.  
 1000p or less : CCSRCH, Over 1000p : CKSRYB  
 3. NM: No Mount



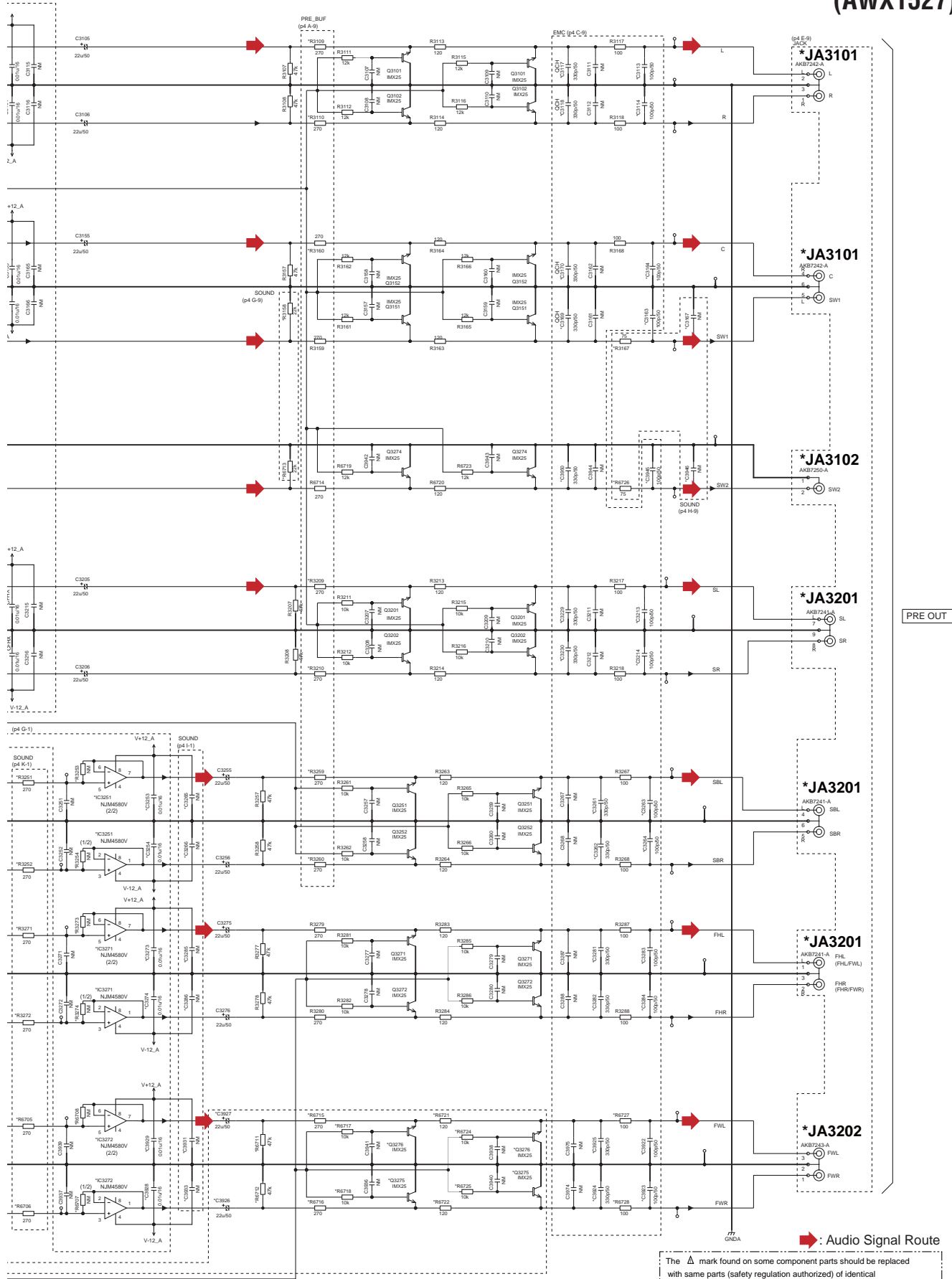
**A/2/4**

10

1 2 3 4

SC-72

# A2/4 AUDIO ASSY (2/4) (AWX1527)











# 10.6 FILTER\_S ASSY

1

2

3

4

A

AA

CN7183

B

C

D

AA

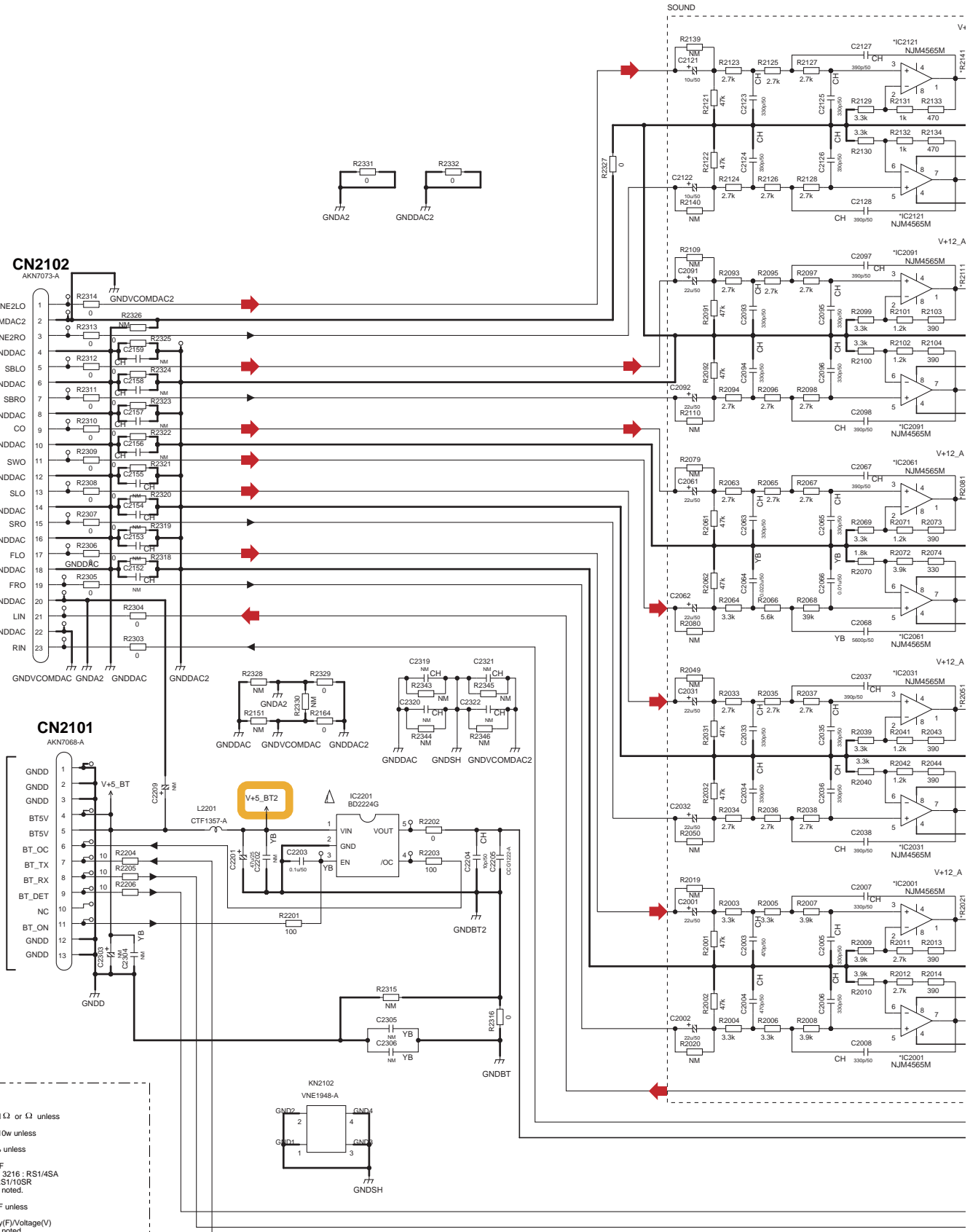
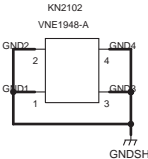
CN7184

E

F

**NOTE**

- RESISTORS  
Unit: k-kΩ, M-MΩ or Ω unless otherwise noted.  
Rated Power: 1/10w unless otherwise noted.  
Tolerance: (J)5% unless otherwise noted.  
MUF: RD1/4MUF  
2125: RS1/8SQ, 3216: RS1/4SA  
NO MARKED: RS1/10SR unless otherwise noted.
- CAPACITORS  
Unit: p-pF or μ-μF unless otherwise noted.  
Ratings: Capacity(F)/Voltage(V) unless otherwise noted.  
CH: CCSRCH, CFTLA, CFTLA  
NO MARKED: CKSRBYB or CEAK
- NM: No Mount



B

1

2

3

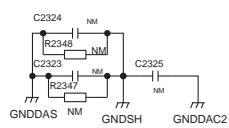
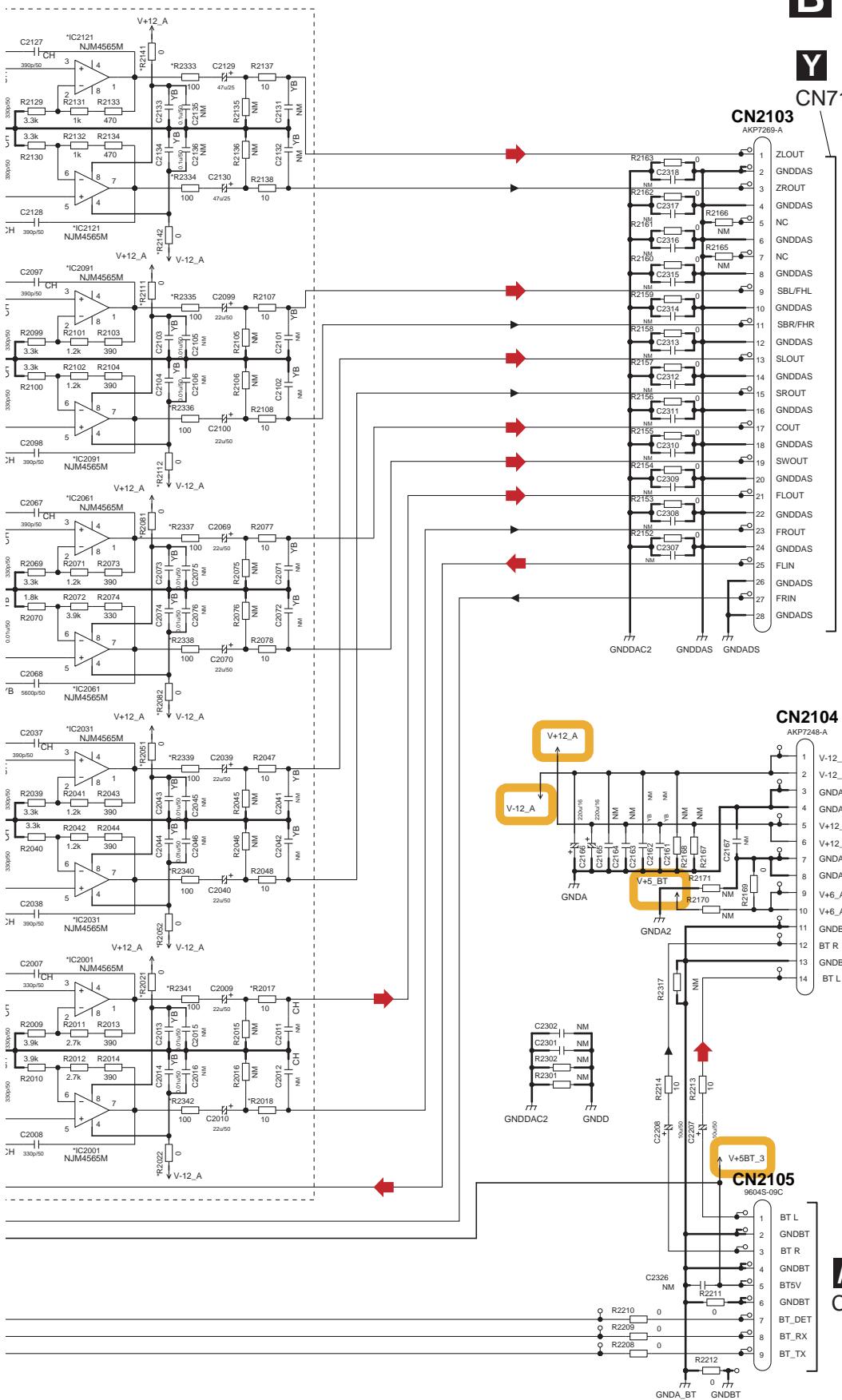
4



# B FILTER\_S ASSY (AWX1581)

## Y CN2103 CN7153

	awx1365	awx1581	awx1678
R2017	10	0	10
R2018	10	0	10
R2021	0	0	120
R2022	0	0	120
R2051	0	0	120
R2052	0	0	120
R2081	0	0	120
R2082	0	0	120
R2111	0	0	120
R2112	0	0	120
R2141	0	0	120
R2142	0	0	120
R2333	100	100	120
R2334	100	100	120
R2335	100	100	120
R2336	100	100	120
R2337	100	100	120
R2338	100	100	120
R2339	100	100	120
R2340	100	100	120
R2341	100	120	120
R2342	100	120	120
IC2001	NJM4565M	NJM4565M	UPC4570G2-A
IC2031	NJM4565M	NJM4565M	UPC4570G2-A
IC2061	NJM4565M	NJM4565M	UPC4570G2-A
IC2091	NJM4565M	NJM4565M	UPC4570G2-A
IC2121	NJM4565M	NJM4565M	UPC4570G2-A



## Y CN7151

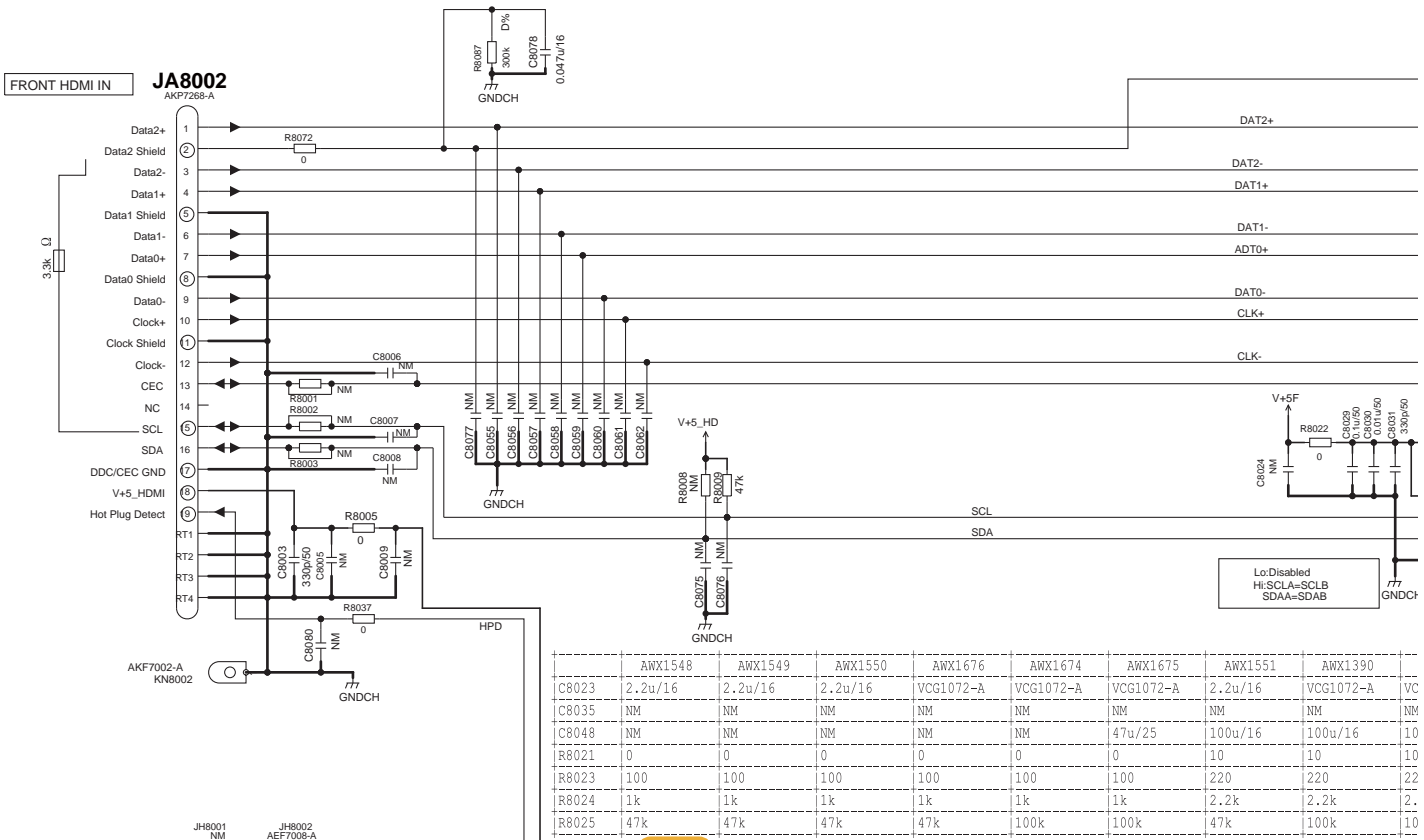
## AD CN8801

➔ Audio Signal Route

# 10.7 FRONT HDMI USB ASSY

1 2 3 4

A



B

C

D

E

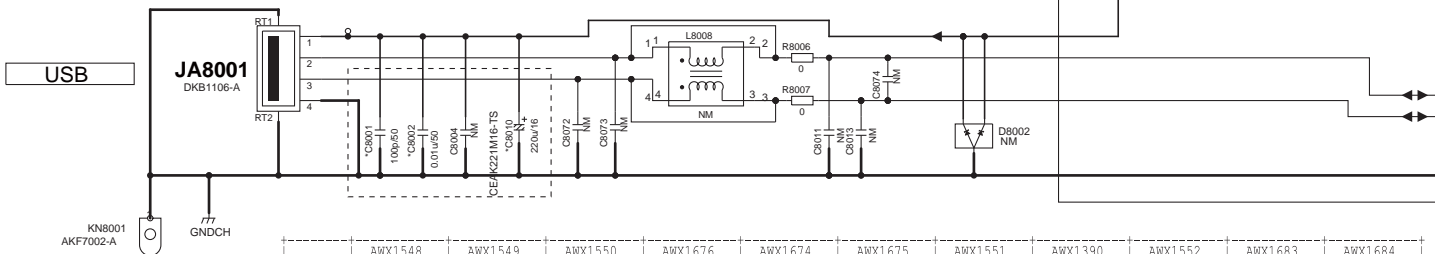
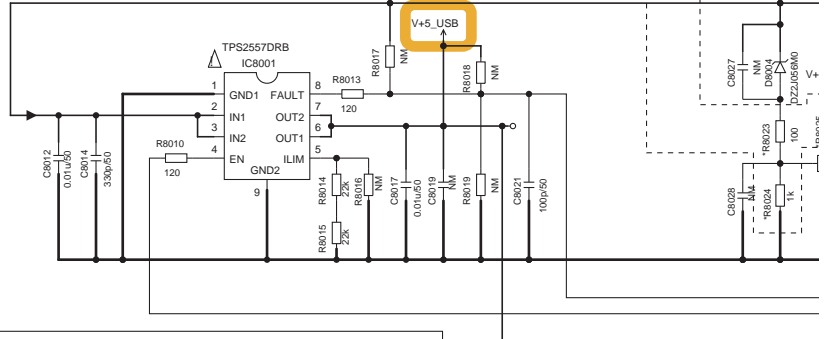
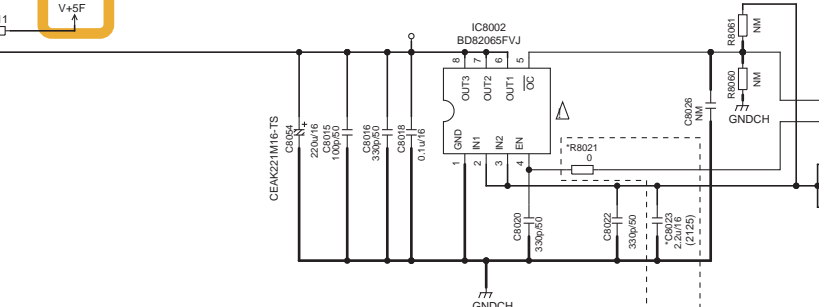
F

**C**

The  $\Delta$  mark found on some component parts should be replaced with same parts (safety regulation authorized) of identical designation.

**NOTE**  
 1. RESISTORS  
 Unit: k-k  $\Omega$ , M-M  $\Omega$  or  $\Omega$  unless otherwise noted.  
 Rated Power: 1/16w unless otherwise noted.  
 Tolerance: (J)% unless otherwise noted.  
 2. CAPACITORS  
 No marked Capacitors are CEAT or CKSRYB or CKSSYB.  
 CH: COSRCH or CCSRCH  
 Unit: p-pF or u-uF unless otherwise noted.  
 Ratings: Capacity(F)/Voltage(V) unless otherwise noted.  
 3. NM: No Mount

	AWX1548	AWX1549	AWX1550	AWX1676	AWX1674	AWX1675	AWX1551	AWX1390
C8023	2.2u/16	2.2u/16	2.2u/16	VCG1072-A	VCG1072-A	VCG1072-A	2.2u/16	VCG1072-A
C8035	NM	NM	NM	NM	NM	NM	NM	NM
C8048	NM	NM	NM	NM	NM	47u/25	100u/16	100u/16
R8021	0	0	0	0	0	0	10	10
R8023	100	100	100	100	100	100	220	220
R8024	1k	1k	1k	1k	1k	1k	2.2k	2.2k
R8025	47k	47k	47k	47k	100k	100k	47k	100k

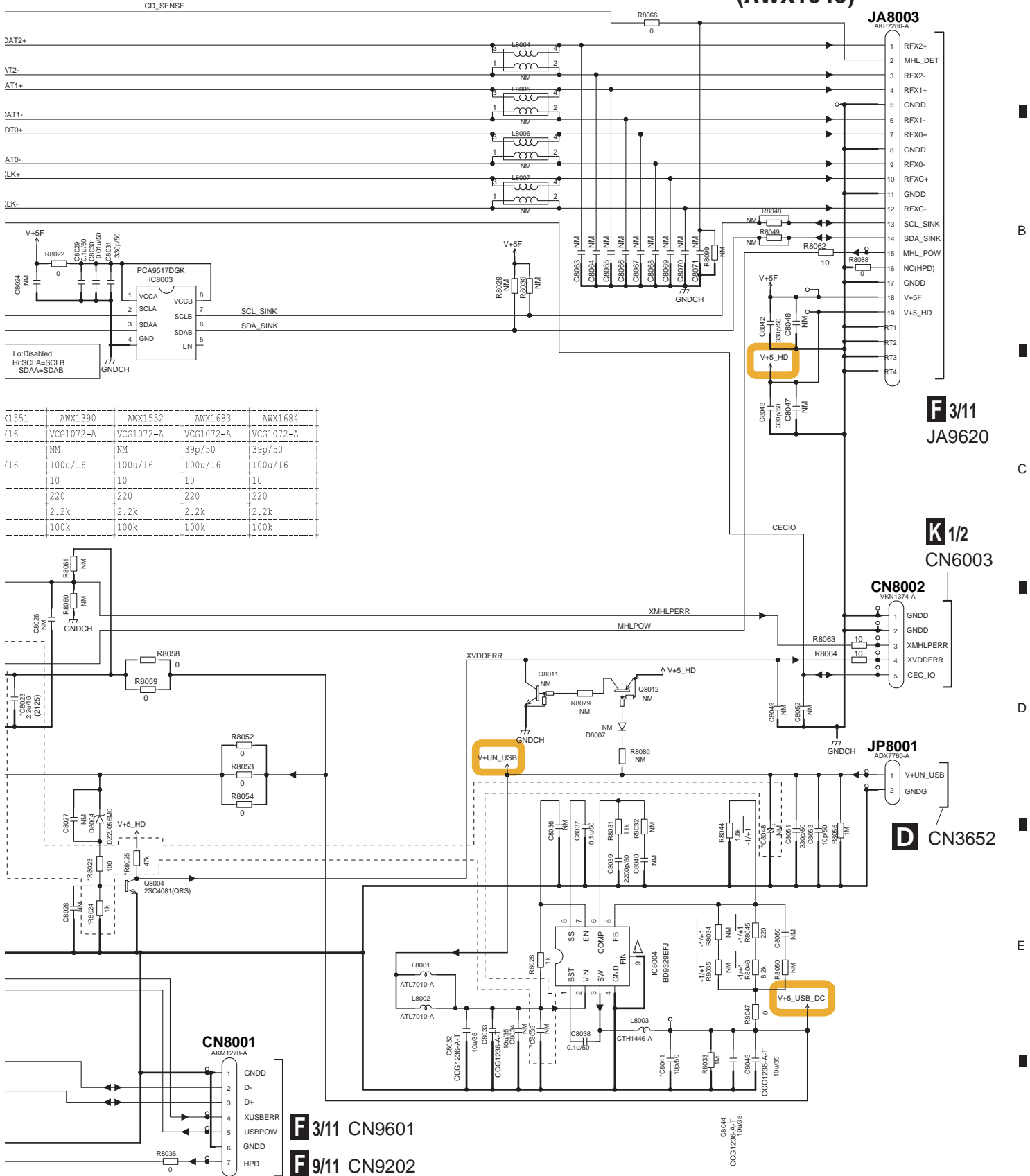


	AWX1548	AWX1549	AWX1550	AWX1676	AWX1674	AWX1675	AWX1551	AWX1390	AWX1552	AWX1683	AWX1684
C8001	100p/50	100p/50	100p/50	100p/50	100p/50	47p/50	100p/50	47p/50	47p/50	47p/50	47p/50
C8002	0.1u/50	0.1u/50	0.1u/50	0.01u/50	0.01u/50	0.01u/50	0.01u/50	0.01u/50	0.01u/50	0.01u/50	0.01u/50
C8010	220u/16	220u/16	220u/16	220u/16	220u/16	220u/16	220u/16	220u/16	220u/16	ACH73777-A	ACH73777-A

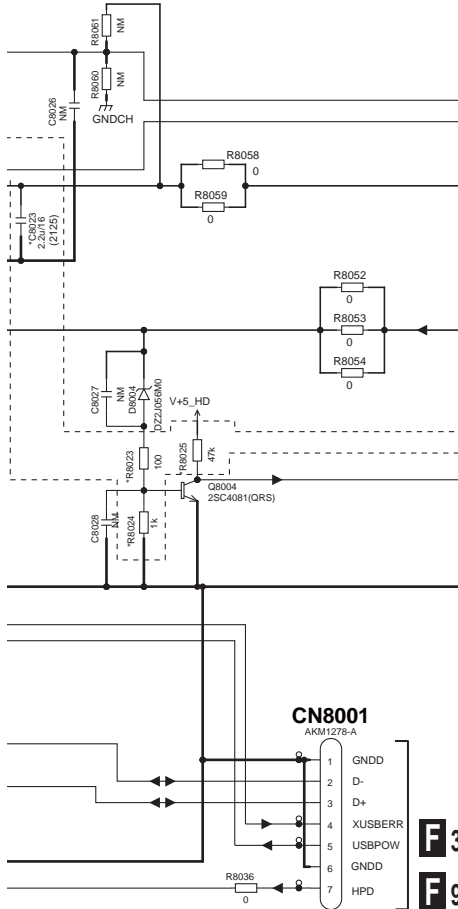
SC-72

1 2 3 4

# C FRONT HDMI USB ASSY (AWX1548)



1551	AWX1390	AWX1552	AWX1683	AWX1684
/16	VCG1072-A	VCG1072-A	VCG1072-A	VCG1072-A
	NM	NM	39p/50	39p/50
/16	100u/16	100u/16	100u/16	100u/16
	10	10	10	10
	220	220	220	220
	2.2k	2.2k	2.2k	2.2k
	100k	100k	100k	100k



X1683	AWX1684
50	47p/50
w/50	0.01u/50
377-A	ACH7377-A

**F** 3/11 CN9601  
**F** 9/11 CN9202

**F** 3/11  
 JA9620

**K** 1/2  
 CN6003

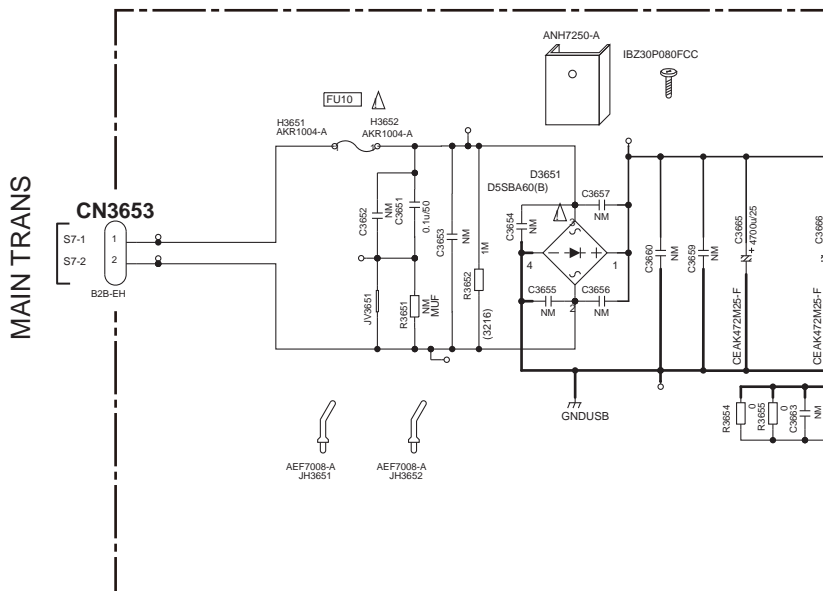
**CN8002**  
 VKN1374-A  
 1 GND  
 2 GND  
 3 XMHLPERR  
 4 XVDERR  
 5 CEC\_IO

**JP8001**  
 ADJ7789-A  
 1 V+UN\_USB  
 2 GNDG

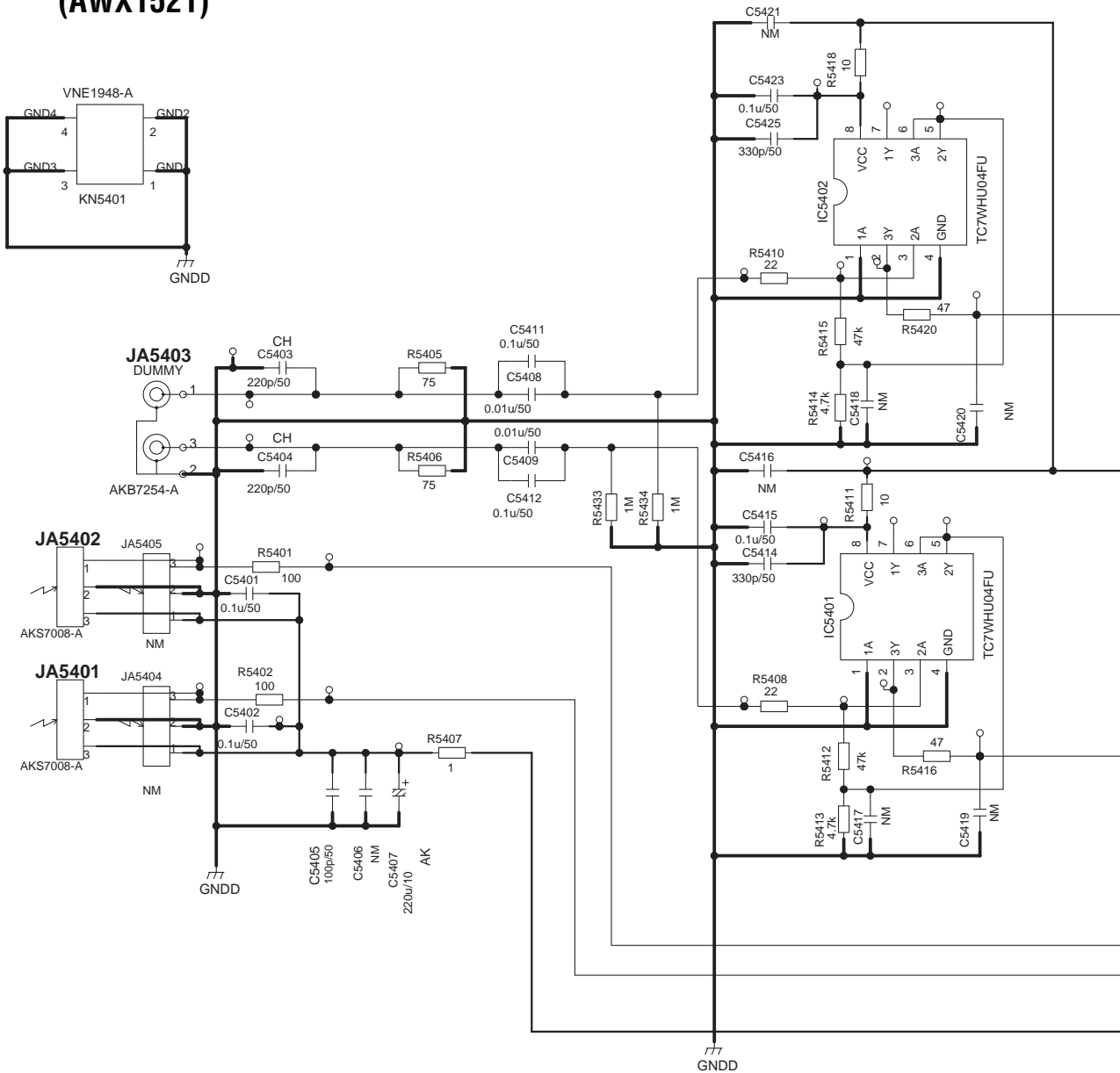
**D** CN3652

# 10.8 USB RECT\_S ASSY and OPT COAX\_S ASSY

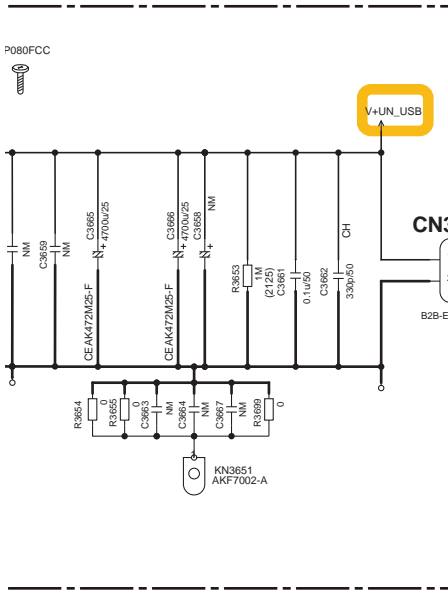
## D USB RECT\_S ASSY (AWX1405)



## E OPT COAX\_S ASSY (AWX1521)



**D E**



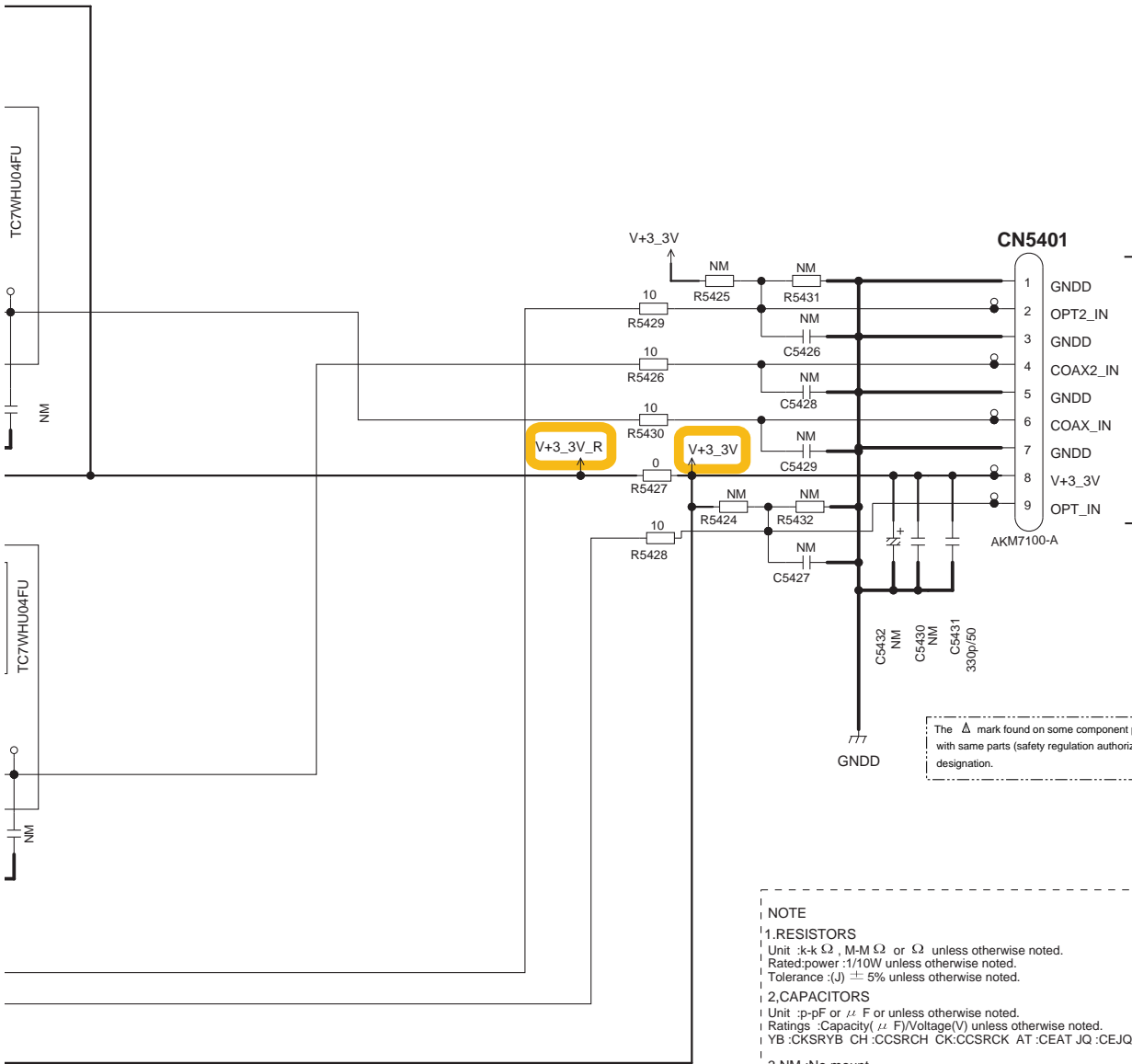
**NOTE**

1. RESISTORS  
Unit: k-k Ω , M-M Ω or Ω unless otherwise noted.  
Rated Power: 1/10W unless otherwise noted.  
Tolerance: (J)5% unless otherwise noted.  
MUF : RD1/4MUF  
2125 : RS1/8SQ

2. CAPACITORS  
Unit: p-pF or u-uF unless otherwise noted.  
Ratings: Capacity(F)/Voltage(V) unless otherwise noted.  
CH : CCSRCH  
NO MARKED : CEAT or CKSRYB

3. NM : NO MOUNT

The Δ mark found on some component parts should be replaced with same parts (safety regulation authorized) of identical designation.



**NOTE**

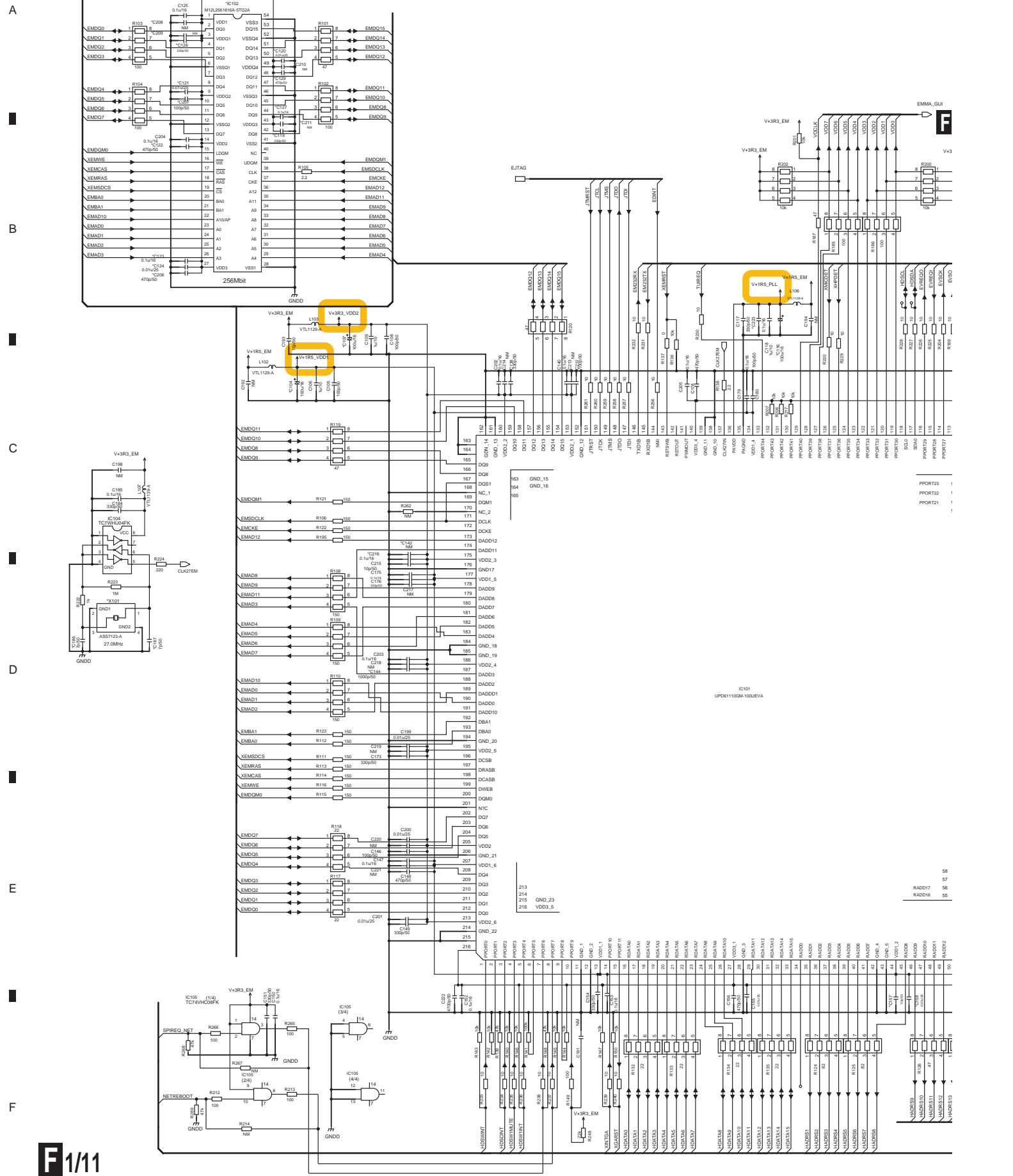
1.RESISTORS  
Unit :k-k Ω , M-M Ω or Ω unless otherwise noted.  
Rated:power :1/10W unless otherwise noted.  
Tolerance :(J) ± 5% unless otherwise noted.

2.CAPACITORS  
Unit :p-pF or μ μ F or unless otherwise noted.  
Ratings :Capacity ( μ F)/Voltage(V) unless otherwise noted.  
YB :CKSRYB CH :CCSRCH CK:CCSRCK AT :CEAT JQ :CEJQ

3.NM :No mount

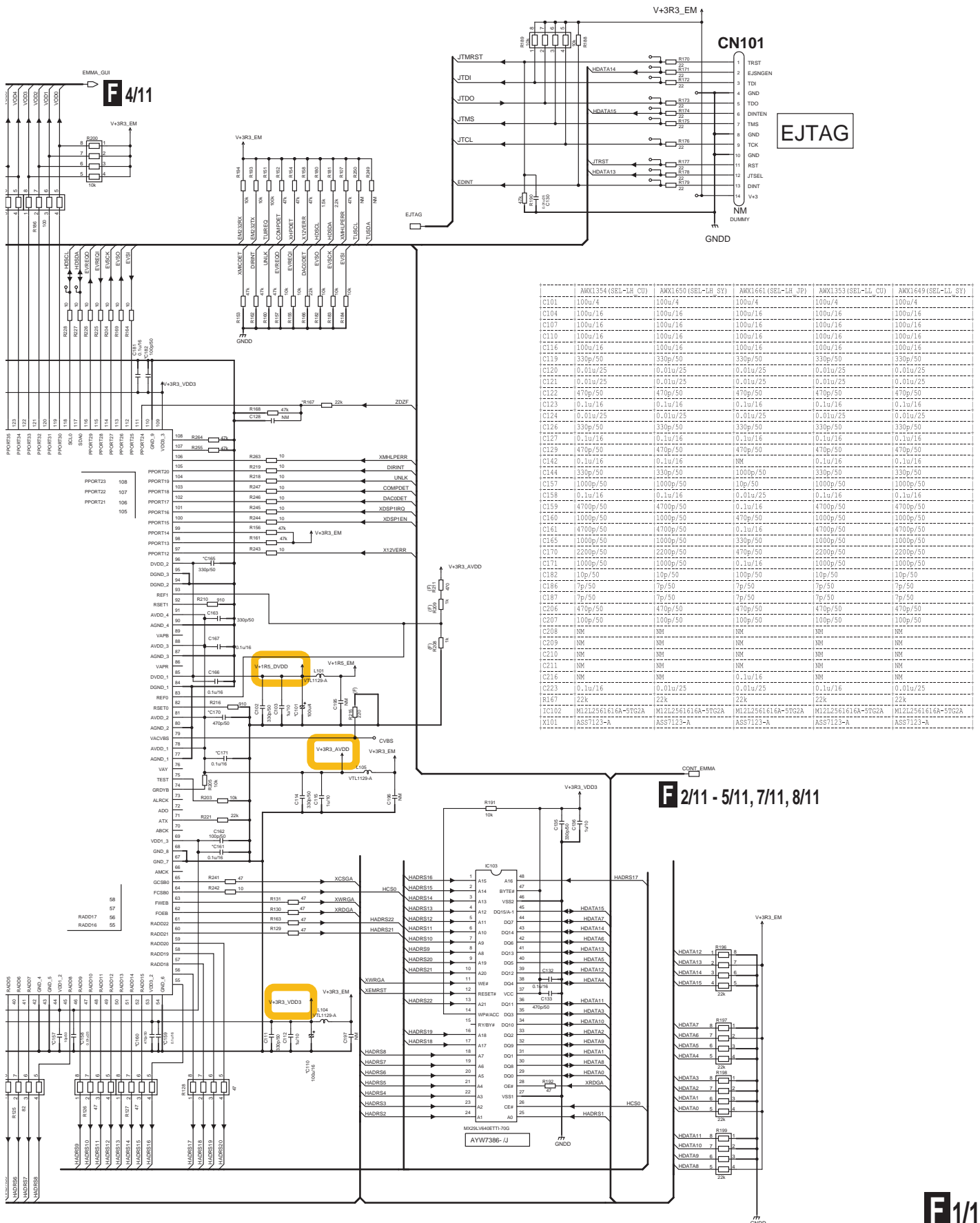
**D E**

# 10.9 DIGITAL MAIN\_L ASSY (1/11)



# F1/11 DIGITAL MAIN\_L ASSY (1/11) (AWX1354)

A  
B  
C  
D  
E  
F



# 10.10 DIGITAL MAIN\_L ASSY (2/11)

1

2

3

4

A

B

C

D

E

F

F 1/11, 3/11 - 5/11, 7/11, 8/11

F 3/11 - 10/11

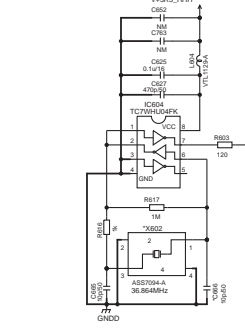
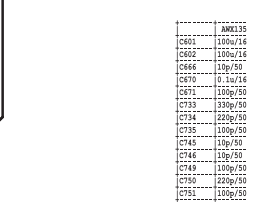
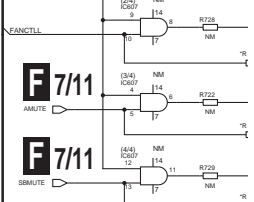
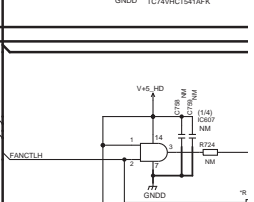
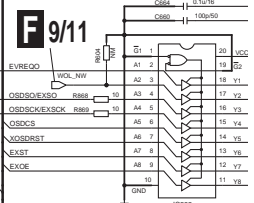
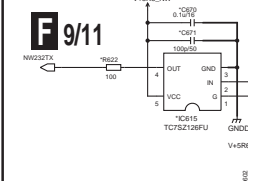
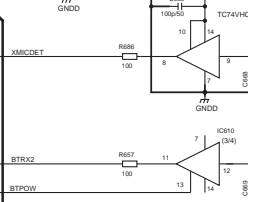
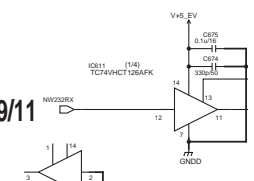
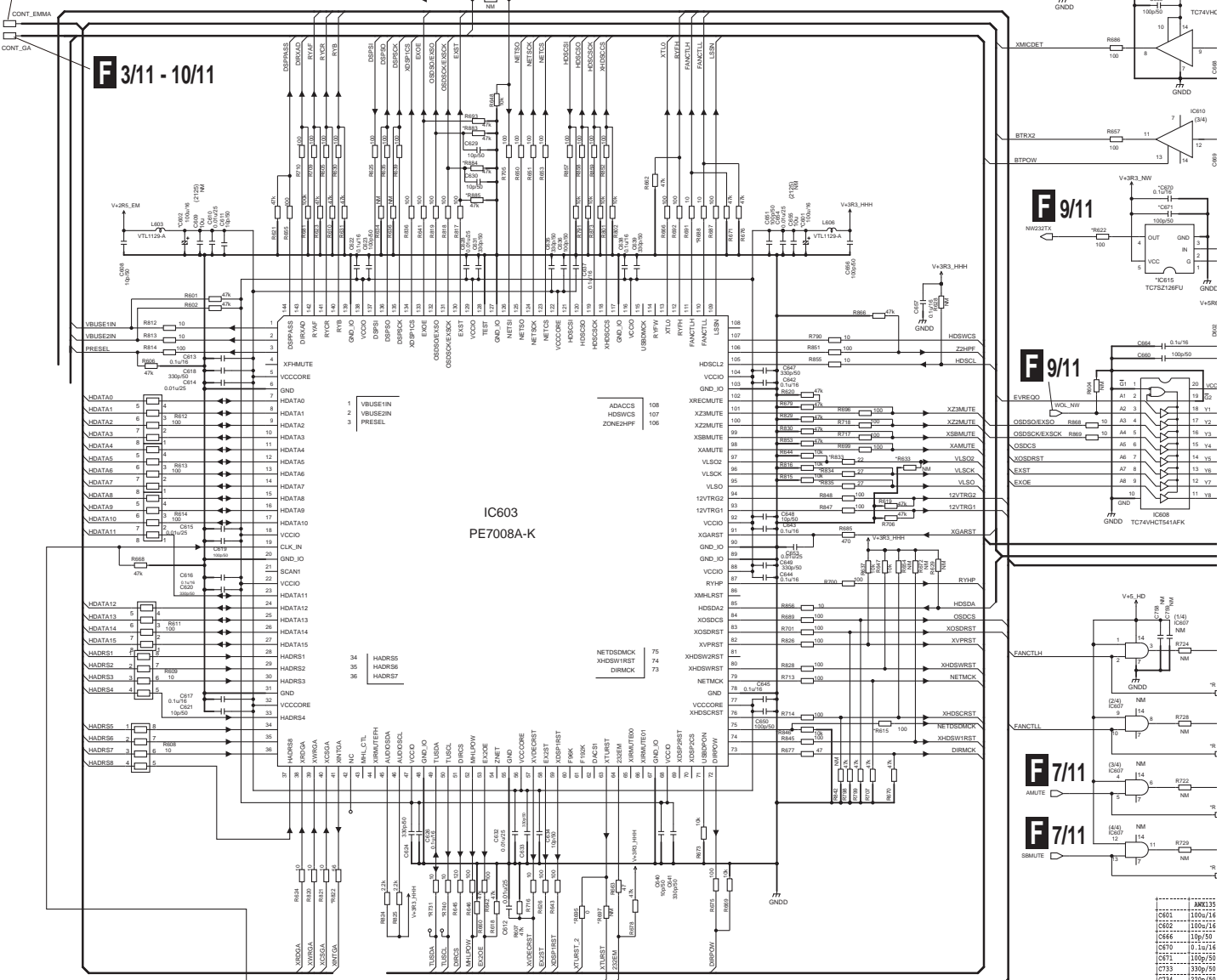
F 9/11

F 9/11

F 9/11

F 7/11

F 7/11



The  $\Delta$  mark found on some component parts should be replaced with same parts (safety regulation authorized) of identical designation.

C601	100k/50
C602	100k/50
C603	100p/50
C604	100p/50
C605	100p/50
C606	100p/50
C607	0.1u/16
C608	100p/50
C609	330p/50
C610	100p/50
C611	100p/50
C612	100p/50
C613	100p/50
C614	100p/50
C615	100p/50
C616	100p/50
C617	100p/50
C618	100p/50
C619	100p/50
C620	100p/50
C621	100p/50
C622	100p/50
C623	100p/50
C624	100p/50
C625	100p/50
C626	100p/50
C627	100p/50
C628	100p/50
C629	100p/50
C630	100p/50
C631	100p/50
C632	100p/50
C633	100p/50
C634	100p/50
C635	100p/50
C636	100p/50
C637	100p/50
C638	100p/50
C639	100p/50
C640	100p/50
C641	100p/50
C642	100p/50
C643	100p/50
C644	100p/50
C645	100p/50
C646	100p/50
C647	100p/50
C648	100p/50
C649	100p/50
C650	100p/50
C651	100p/50
C652	100p/50
C653	100p/50
C654	100p/50
C655	100p/50
C656	100p/50
C657	100p/50
C658	100p/50
C659	100p/50
C660	100p/50
C661	100p/50
C662	100p/50
C663	100p/50
C664	100p/50
C665	100p/50
C666	100p/50
C667	100p/50
C668	100p/50
C669	100p/50
C670	100p/50
C671	100p/50
C672	100p/50
C673	100p/50
C674	100p/50
C675	100p/50
C676	100p/50
C677	100p/50
C678	100p/50
C679	100p/50
C680	100p/50
C681	100p/50
C682	100p/50
C683	100p/50
C684	100p/50
C685	100p/50
C686	100p/50
C687	100p/50
C688	100p/50
C689	100p/50
C690	100p/50
C691	100p/50
C692	100p/50
C693	100p/50
C694	100p/50
C695	100p/50
C696	100p/50
C697	100p/50
C698	100p/50
C699	100p/50
C700	100p/50
C701	100p/50
C702	100p/50
C703	100p/50
C704	100p/50
C705	100p/50
C706	100p/50
C707	100p/50
C708	100p/50
C709	100p/50
C710	100p/50
C711	100p/50
C712	100p/50
C713	100p/50
C714	100p/50
C715	100p/50
C716	100p/50
C717	100p/50
C718	100p/50
C719	100p/50
C720	100p/50
C721	100p/50
C722	100p/50
C723	100p/50
C724	100p/50
C725	100p/50
C726	100p/50
C727	100p/50
C728	100p/50
C729	100p/50
C730	100p/50
C731	100p/50
C732	100p/50
C733	100p/50
C734	100p/50
C735	100p/50
C736	100p/50
C737	100p/50
C738	100p/50
C739	100p/50
C740	100p/50
C741	100p/50
C742	100p/50
C743	100p/50
C744	100p/50
C745	100p/50
C746	100p/50
C747	100p/50
C748	100p/50
C749	100p/50
C750	100p/50
C751	100p/50
C752	100p/50
C753	100p/50
C754	100p/50
C755	100p/50
C756	100p/50
C757	100p/50
C758	100p/50
C759	100p/50
C760	100p/50
C761	100p/50
C762	100p/50
C763	100p/50
C764	100p/50
C765	100p/50
C766	100p/50
C767	100p/50
C768	100p/50
C769	100p/50
C770	100p/50
C771	100p/50
C772	100p/50
C773	100p/50
C774	100p/50
C775	100p/50
C776	100p/50
C777	100p/50
C778	100p/50
C779	100p/50
C780	100p/50
C781	100p/50
C782	100p/50
C783	100p/50
C784	100p/50
C785	100p/50
C786	100p/50
C787	100p/50
C788	100p/50
C789	100p/50
C790	100p/50
C791	100p/50
C792	100p/50
C793	100p/50
C794	100p/50
C795	100p/50
C796	100p/50
C797	100p/50
C798	100p/50
C799	100p/50
C800	100p/50

F 2/11  
24

SC-72

1

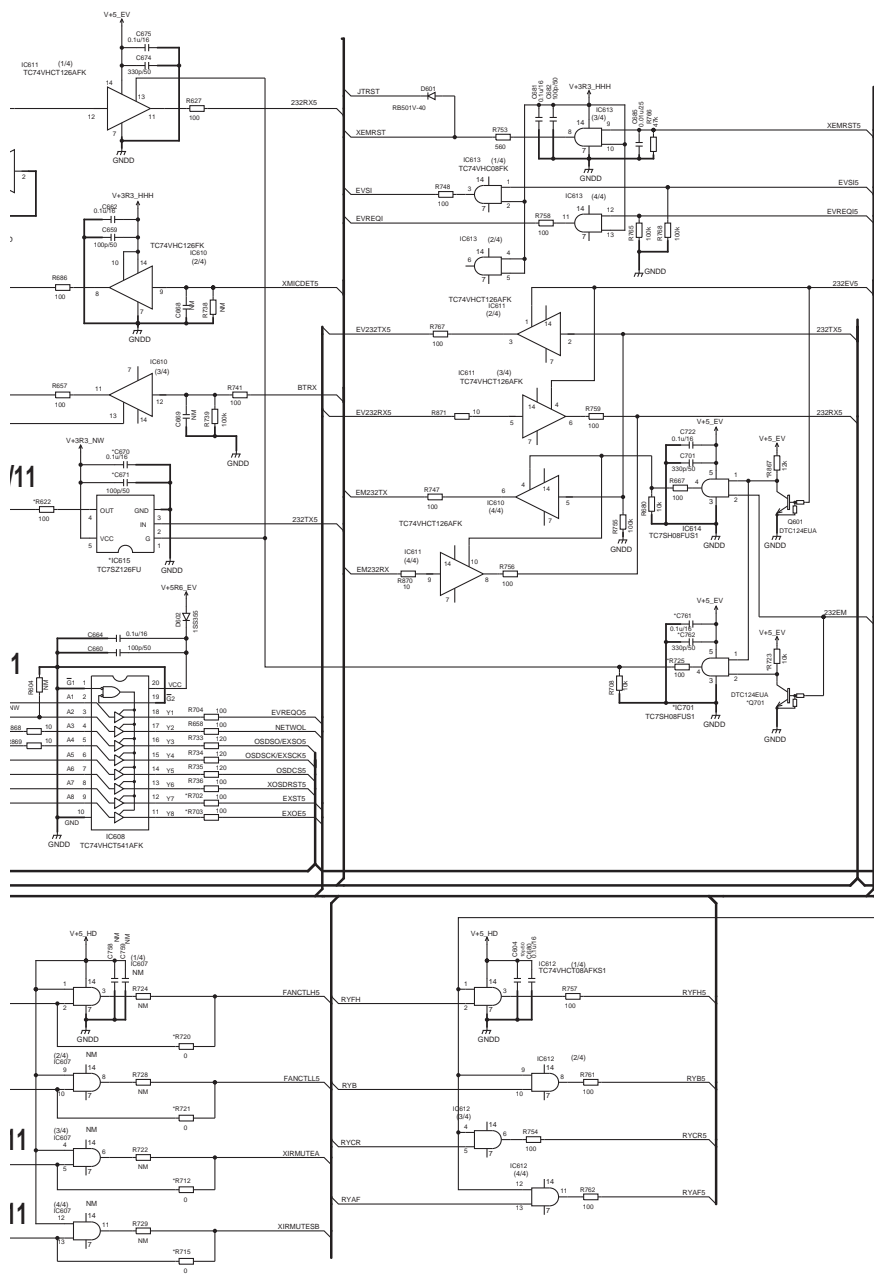
2

3

4



# F2/11 DIGITAL MAIN\_L ASSY (2/11) (AWX1354)

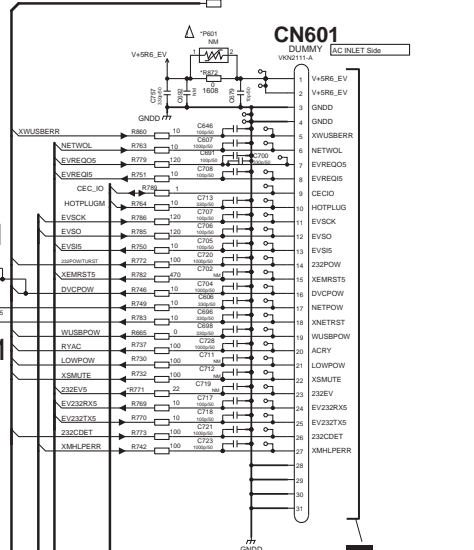


AWX1354 (REV.-14.0)	AWX1355 (REV.-14.0)	AWX1356 (REV.-14.0)	AWX1357 (REV.-14.0)	AWX1358 (REV.-14.0)	AWX1359 (REV.-14.0)	AWX1360 (REV.-14.0)	AWX1361 (REV.-14.0)	AWX1362 (REV.-14.0)	AWX1363 (REV.-14.0)	AWX1364 (REV.-14.0)	AWX1365 (REV.-14.0)	AWX1366 (REV.-14.0)	AWX1367 (REV.-14.0)	AWX1368 (REV.-14.0)	AWX1369 (REV.-14.0)	AWX1370 (REV.-14.0)	AWX1371 (REV.-14.0)	AWX1372 (REV.-14.0)	AWX1373 (REV.-14.0)	AWX1374 (REV.-14.0)	AWX1375 (REV.-14.0)	AWX1376 (REV.-14.0)	AWX1377 (REV.-14.0)	AWX1378 (REV.-14.0)	AWX1379 (REV.-14.0)	AWX1380 (REV.-14.0)	AWX1381 (REV.-14.0)	AWX1382 (REV.-14.0)	AWX1383 (REV.-14.0)	AWX1384 (REV.-14.0)	AWX1385 (REV.-14.0)	AWX1386 (REV.-14.0)	AWX1387 (REV.-14.0)	AWX1388 (REV.-14.0)	AWX1389 (REV.-14.0)	AWX1390 (REV.-14.0)	AWX1391 (REV.-14.0)	AWX1392 (REV.-14.0)	AWX1393 (REV.-14.0)	AWX1394 (REV.-14.0)	AWX1395 (REV.-14.0)	AWX1396 (REV.-14.0)	AWX1397 (REV.-14.0)	AWX1398 (REV.-14.0)	AWX1399 (REV.-14.0)	AWX1400 (REV.-14.0)																																																																																																																																																																																																																																																																																																																																																																	
R601	R602	R603	R604	R605	R606	R607	R608	R609	R610	R611	R612	R613	R614	R615	R616	R617	R618	R619	R620	R621	R622	R623	R624	R625	R626	R627	R628	R629	R630	R631	R632	R633	R634	R635	R636	R637	R638	R639	R640	R641	R642	R643	R644	R645	R646	R647	R648	R649	R650	R651	R652	R653	R654	R655	R656	R657	R658	R659	R660	R661	R662	R663	R664	R665	R666	R667	R668	R669	R670	R671	R672	R673	R674	R675	R676	R677	R678	R679	R680	R681	R682	R683	R684	R685	R686	R687	R688	R689	R690	R691	R692	R693	R694	R695	R696	R697	R698	R699	R700	R701	R702	R703	R704	R705	R706	R707	R708	R709	R710	R711	R712	R713	R714	R715	R716	R717	R718	R719	R720	R721	R722	R723	R724	R725	R726	R727	R728	R729	R730	R731	R732	R733	R734	R735	R736	R737	R738	R739	R740	R741	R742	R743	R744	R745	R746	R747	R748	R749	R750	R751	R752	R753	R754	R755	R756	R757	R758	R759	R760	R761	R762	R763	R764	R765	R766	R767	R768	R769	R770	R771	R772	R773	R774	R775	R776	R777	R778	R779	R780	R781	R782	R783	R784	R785	R786	R787	R788	R789	R790	R791	R792	R793	R794	R795	R796	R797	R798	R799	R800	R801	R802	R803	R804	R805	R806	R807	R808	R809	R810	R811	R812	R813	R814	R815	R816	R817	R818	R819	R820	R821	R822	R823	R824	R825	R826	R827	R828	R829	R830	R831	R832	R833	R834	R835	R836	R837	R838	R839	R840	R841	R842	R843	R844	R845	R846	R847	R848	R849	R850	R851	R852	R853	R854	R855	R856	R857	R858	R859	R860	R861	R862	R863	R864	R865	R866	R867	R868	R869	R870	R871	R872	R873	R874	R875	R876	R877	R878	R879	R880	R881	R882	R883	R884	R885	R886	R887	R888	R889	R890	R891	R892	R893	R894	R895	R896	R897	R898	R899	R900	R901	R902	R903	R904	R905	R906	R907	R908	R909	R910	R911	R912	R913	R914	R915	R916	R917	R918	R919	R920	R921	R922	R923	R924	R925	R926	R927	R928	R929	R930	R931	R932	R933	R934	R935	R936	R937	R938	R939	R940	R941	R942	R943	R944	R945	R946	R947	R948	R949	R950	R951	R952	R953	R954	R955	R956	R957	R958	R959	R960	R961	R962	R963	R964	R965	R966	R967	R968	R969	R970	R971	R972	R973	R974	R975	R976	R977	R978	R979	R980	R981	R982	R983	R984	R985	R986	R987	R988	R989	R990	R991	R992	R993	R994	R995	R996	R997	R998	R999	R1000

F 4/11, 7/11, 9/11, 10/11

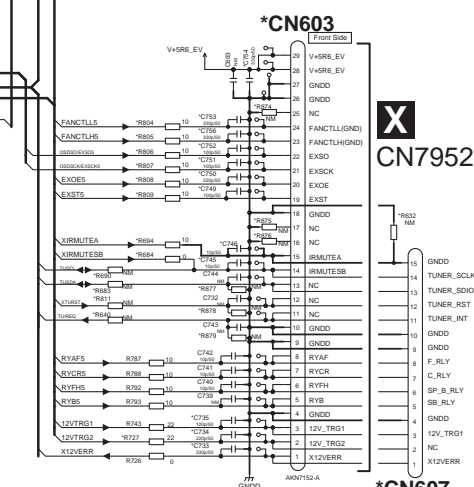
F 10/11

F 9/11



V 3/3 CN7901

F 5/11



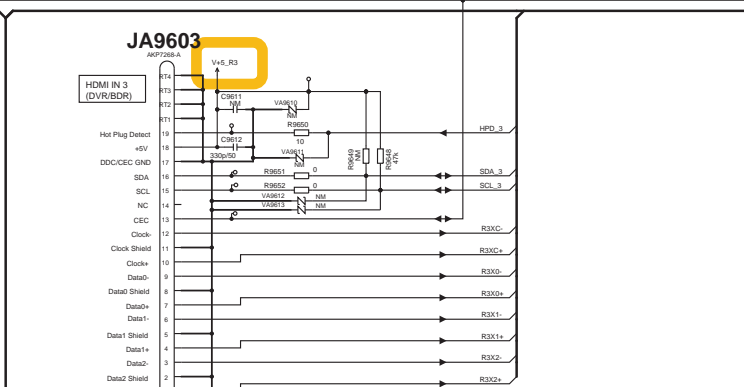
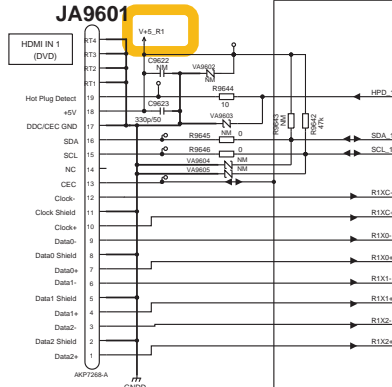
X CN7952

\*CN607

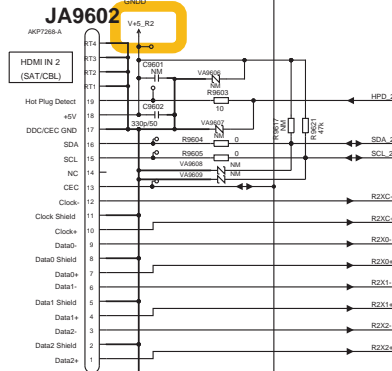
# 10.11 DIGITAL MAIN\_L ASSY (3/11)

1 2 3 4

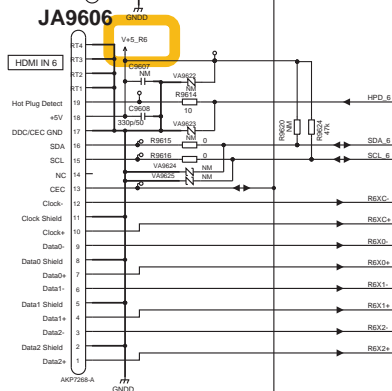
A



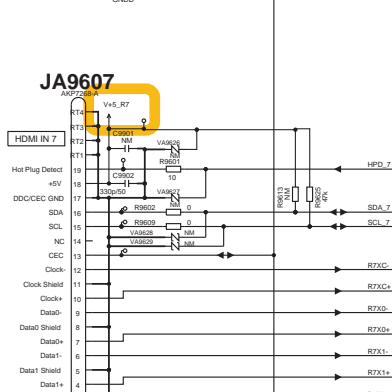
B



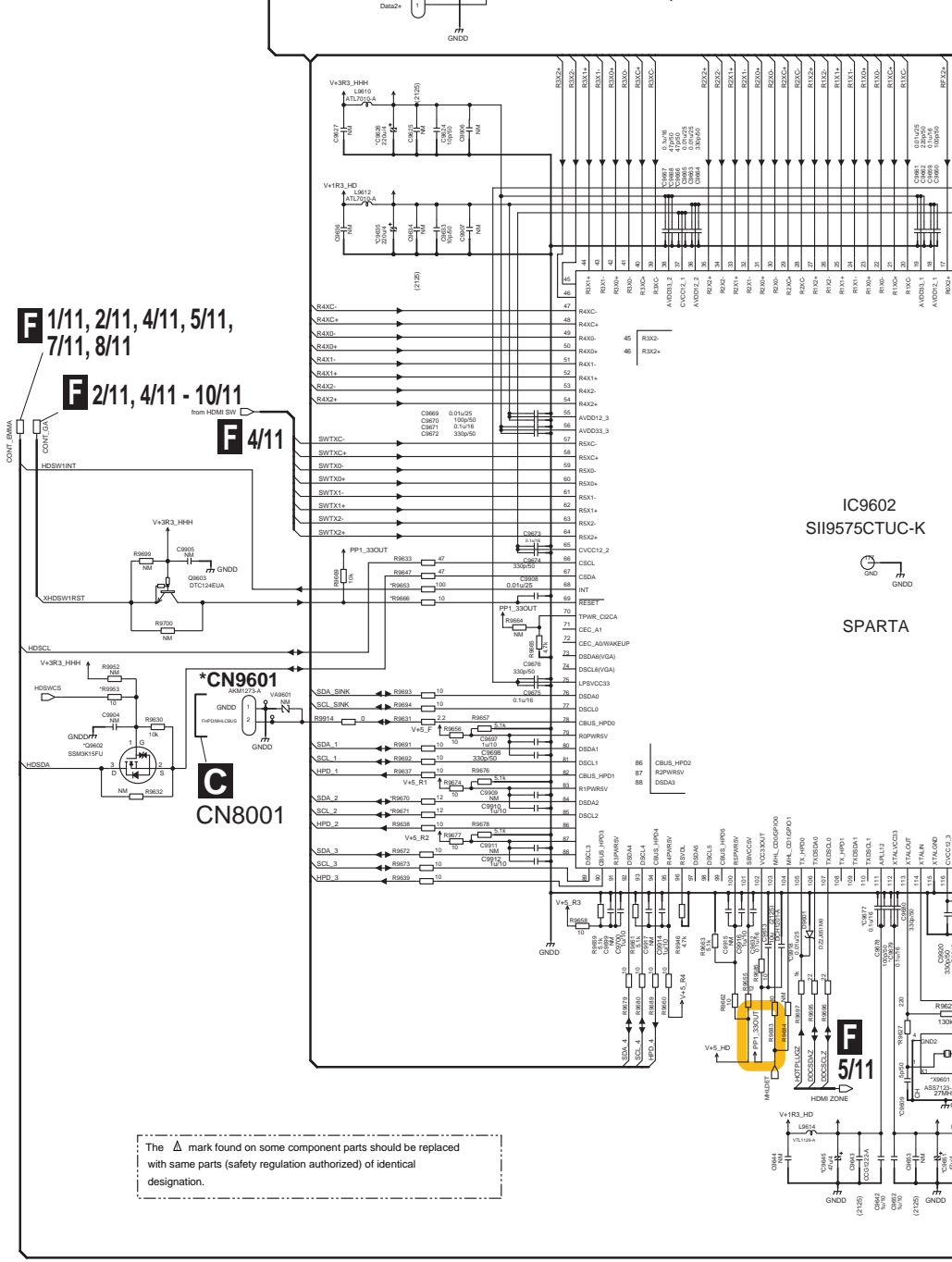
C



D



E



The  $\Delta$  mark found on some component parts should be replaced with same parts (safety regulation authorized) of identical designation.

F

1 2 3 4



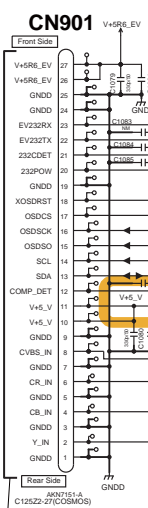
# 10.12 DIGITAL MAIN\_L ASSY (4/11)

1 2 3 4

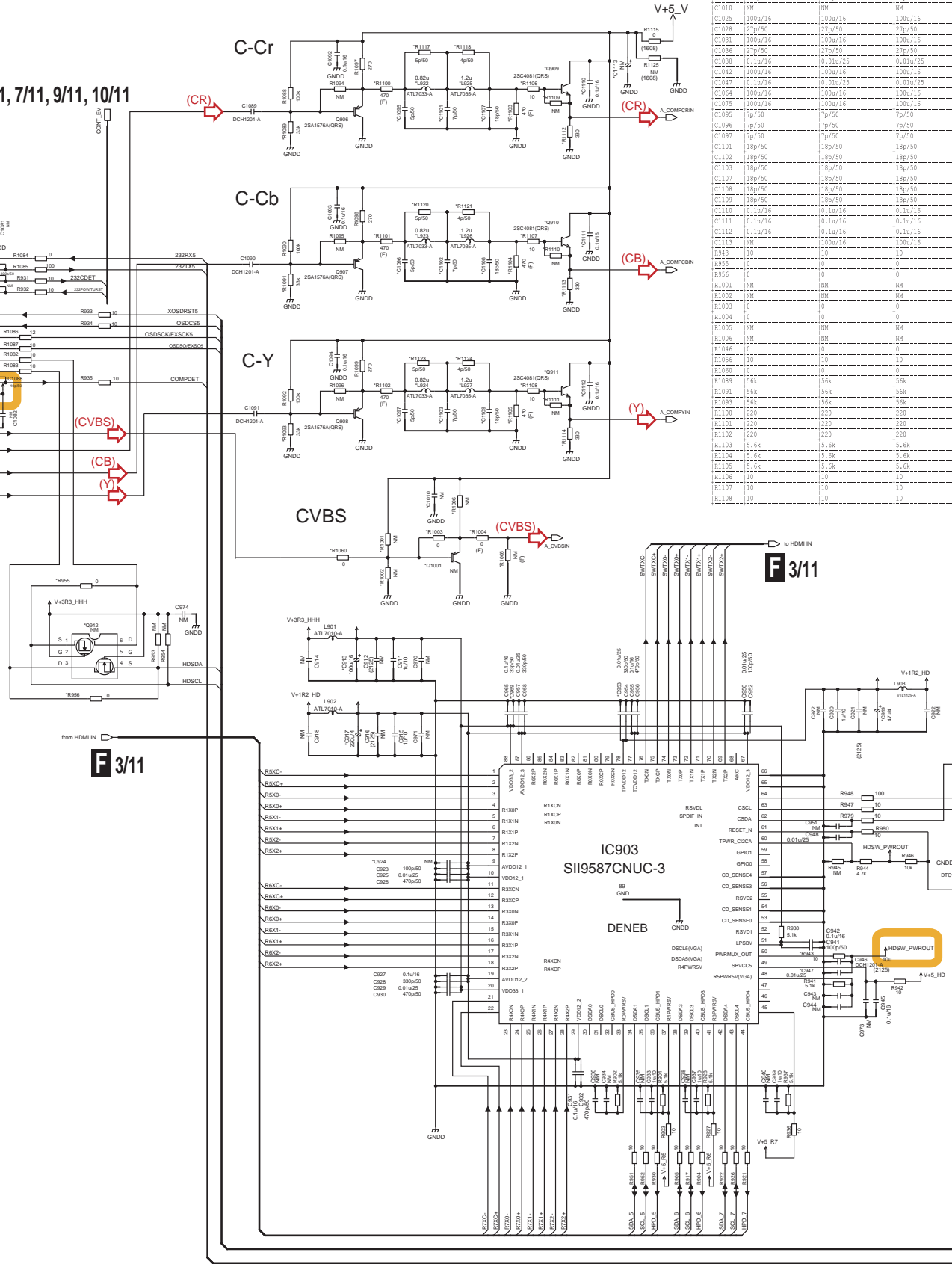
A  
B  
C  
D  
E  
F

F 2/11, 7/11, 9/11, 10/11

All 1u/10 to DCH1248-A



H 1/3  
CN8301



	ANK195416BE1-10 (0)	ANK195416BE1-10 (31)	ANK195416BE1-10 (1)
C913	100n/16	100n/16	100n/16
C917	220n/4	220n/4	220n/4
C919	47u/4	47u/4	47u/4
C924	10K	10K	10K
C947	0.01u/25	0.01u/25	0.01u/25
C988	100p/50	100p/50	100p/50
C989	100p/50	100p/50	100p/50
C991	10K	10K	10K
C992	100p/50	100p/50	100p/50
C1023	100n/16	100n/16	100n/16
C1028	27p/50	27p/50	27p/50
C1031	100n/16	100n/16	100n/16
C1036	27p/50	27p/50	27p/50
C1038	0.1u/16	0.1u/16	0.1u/16
C1042	100n/16	100n/16	100n/16
C1047	0.1u/16	0.1u/16	0.1u/16
C1049	100p/50	100p/50	100p/50
C1075	100n/16	100n/16	100n/16
C1085	7p/50	7p/50	7p/50
C1086	7p/50	7p/50	7p/50
C1097	7p/50	7p/50	7p/50
C1101	18p/50	18p/50	18p/50
C1102	18p/50	18p/50	18p/50
C1103	18p/50	18p/50	18p/50
C1107	18p/50	18p/50	18p/50
C1110	0.1u/16	0.1u/16	0.1u/16
C1111	0.1u/16	0.1u/16	0.1u/16
C1112	0.1u/16	0.1u/16	0.1u/16
C1113	10K	10K	10K
R943	10	10	10
R944	10	10	10
R945	10	10	10
R946	10	10	10
R947	10	10	10
R948	10	10	10
R949	10	10	10
R950	10	10	10
R951	10	10	10
R952	10	10	10
R953	10	10	10
R954	10	10	10
R955	10	10	10
R956	10	10	10
R957	10	10	10
R958	10	10	10
R959	10	10	10
R960	10	10	10
R961	10	10	10
R962	10	10	10
R963	10	10	10
R964	10	10	10
R965	10	10	10
R966	10	10	10
R967	10	10	10
R968	10	10	10
R969	10	10	10
R970	10	10	10
R971	10	10	10
R972	10	10	10
R973	10	10	10
R974	10	10	10
R975	10	10	10
R976	10	10	10
R977	10	10	10
R978	10	10	10
R979	10	10	10
R980	10	10	10
R981	10	10	10
R982	10	10	10
R983	10	10	10
R984	10	10	10
R985	10	10	10
R986	10	10	10
R987	10	10	10
R988	10	10	10
R989	10	10	10
R990	10	10	10
R991	10	10	10
R992	10	10	10
R993	10	10	10
R994	10	10	10
R995	10	10	10
R996	10	10	10
R997	10	10	10
R998	10	10	10
R999	10	10	10

F 3/11

F 3/11

IC903  
SI9587CNUC-3

DENE8

HDSW\_PVROUT

1 2 3 4



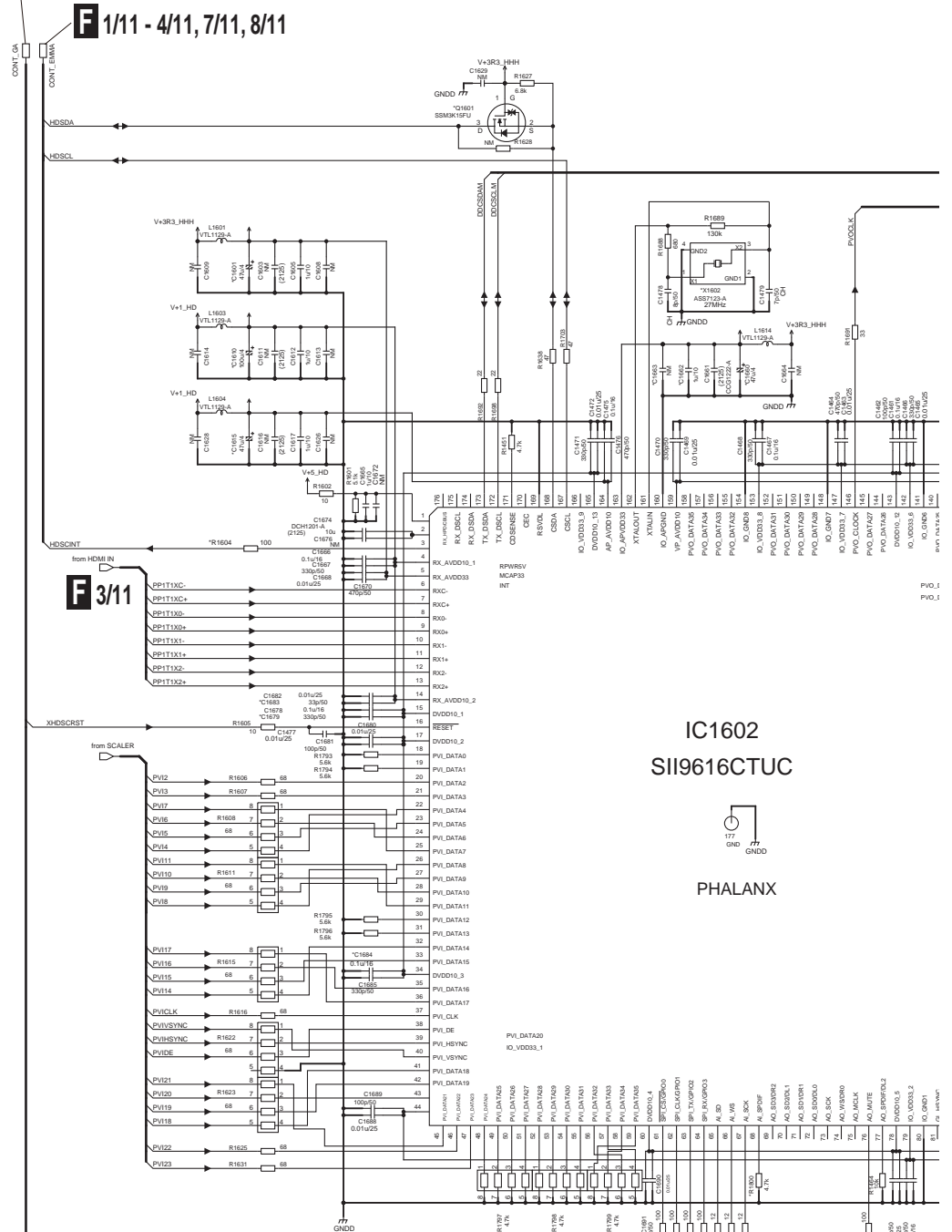
# 10.13 DIGITAL MAIN\_L ASSY (5/11)

1 2 3 4

**F** 2/11 - 4/11, 6/11 - 10/11

**F** 1/11 - 4/11, 7/11, 8/11

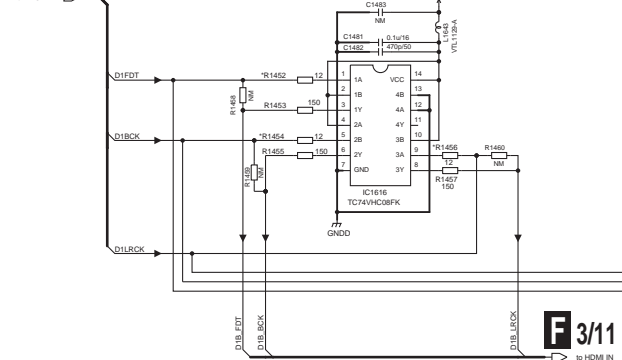
A  
B  
C  
D  
E  
F



**F** 3/11

IC1602  
SI19616CTUC  
PHALANX

**F** 7/11, 8/11



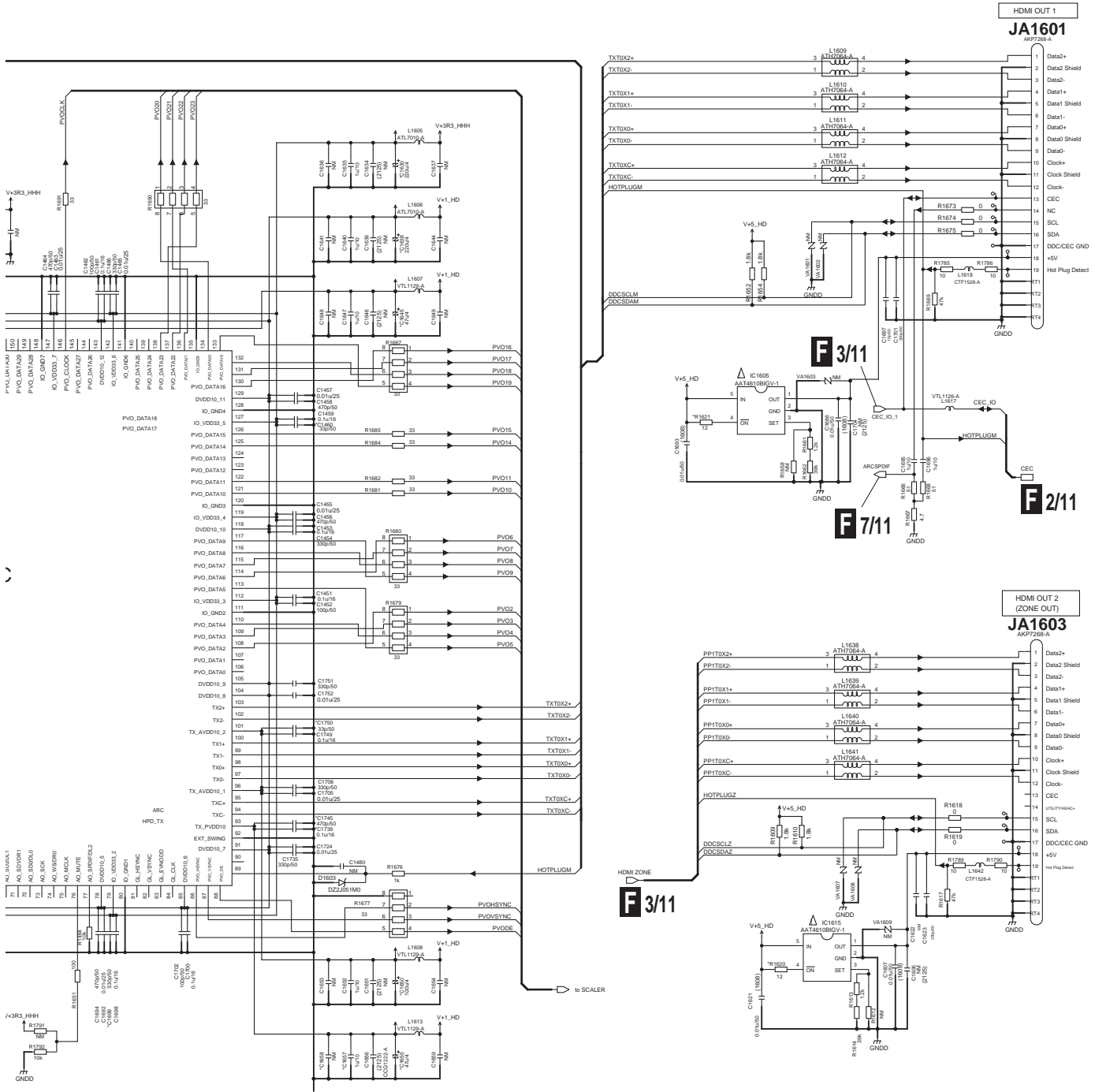
**F** 3/11

The  $\Delta$  mark found on some component parts should be replaced with same parts (safety regulation authorized) of identical designation.

**F** 5/11  
30

1 2 3 4

# F5/11 DIGITAL MAIN\_L ASSY (5/11) (AWX1354)



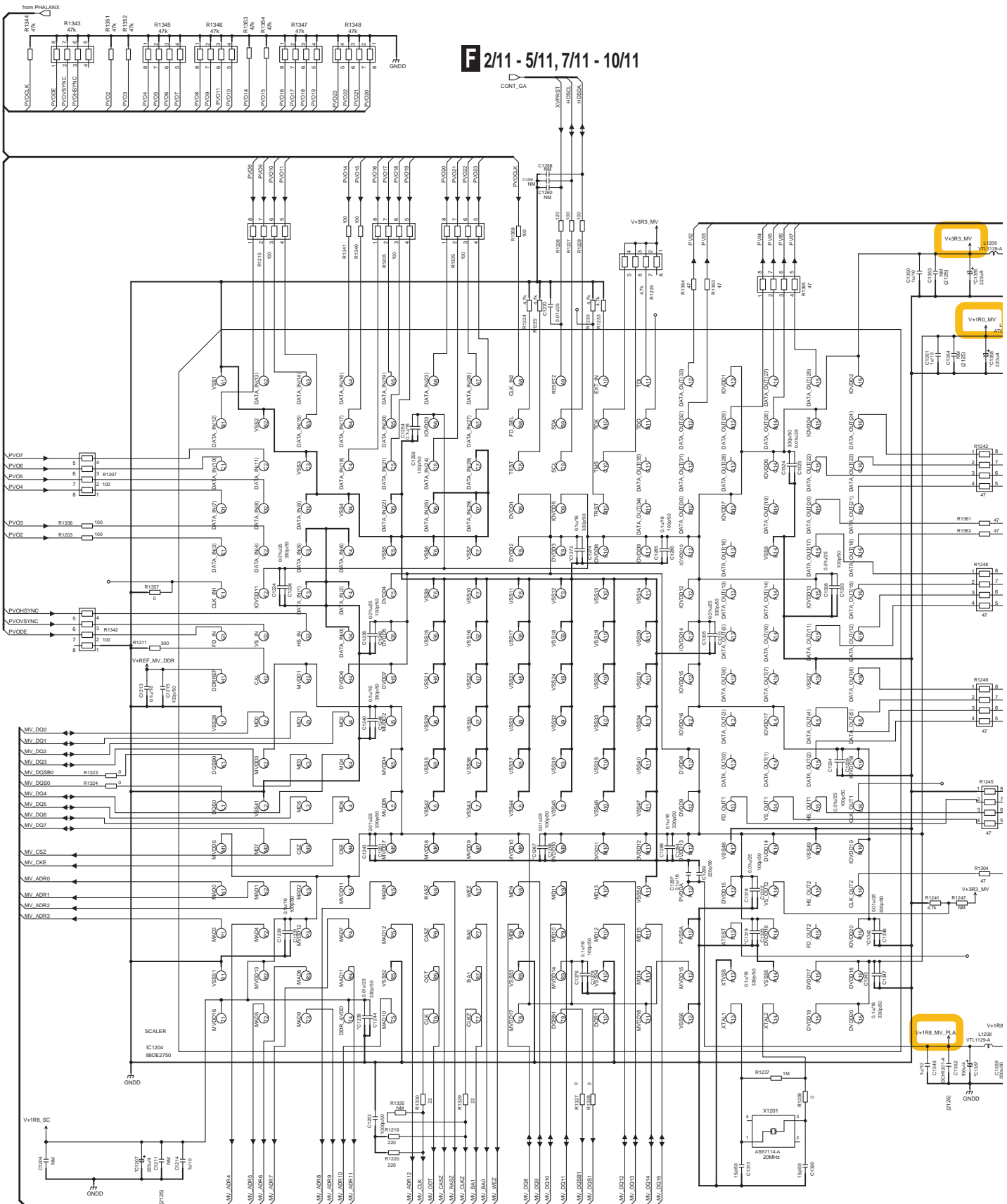
AWX1354 (SEL-LH CO)	AWX1650 (SEL-LH SY)	AWX1661 (SEL-LH JP)	AWX1383 (SEL-LI CO)	AWX1649 (SEL-LI SY)	AWX1354 (SEL-LH CO)	AWX1650 (SEL-LH SY)	AWX1661 (SEL-LH JP)	AWX1353 (SEL-LI CO)	AWX1649 (SEL-LI SY)
C1660 100p/50	33p/50	33p/50	100p/50	100p/50	C1699 330p/50	330p/50	330p/50	C1699 330p/50	330p/50
C1601 47u/4	47u/4	47u/4	47u/4	47u/4	C1739 0.1u/16	0.1u/16	0.1u/16	C1739 0.1u/16	0.1u/16
C1610 100u/4	100u/4	100u/4	100u/4	100u/4	C1745 470p/50	330p/50	470p/50	C1750 100p/50	33p/50
C1615 47u/4	47u/4	47u/4	47u/4	47u/4	C1452 12	12	12	C1452 12	12
C1630 220u/4	220u/4	220u/4	220u/4	220u/4	R1454 12	12	12	R1454 12	12
C1638 220u/4	220u/4	220u/4	220u/4	220u/4	R1456 12	12	12	R1456 12	12
C1645 47u/4	47u/4	47u/4	47u/4	47u/4	R1604 100	120	120	R1604 100	120
C1650 100u/4	100u/4	100u/4	100u/4	100u/4	R1620 12	12	12	R1620 12	12
C1655 47u/4	47u/4	47u/4	47u/4	47u/4	R1621 12	12	12	R1621 12	12
C1657 1u/10	NM	NM	1u/10	1u/10	R1637 12	12	12	R1637 12	12
C1658 NM	0.01u/25	0.01u/25	NM	0.01u/25	R1644 12	12	12	R1644 12	12
C1660 47u/4	47u/4	47u/4	47u/4	47u/4	R1653 12	12	12	R1653 12	12
C1662 1u/10	NM	NM	1u/10	1u/10	R1678 12	12	12	R1678 12	12
C1663 NM	0.01u/25	0.01u/25	NM	0.01u/25	R1743 12	12	12	R1743 12	12
C1675 330p/50	330p/50	330p/50	330p/50	330p/50	R1744 12	12	12	R1744 12	12
C1679 330p/50	330p/50	330p/50	330p/50	330p/50	R1800 4.7k	5.6k	5.6k	R1800 4.7k	5.6k
C1683 100p/50	100p/50	33p/50	100p/50	100p/50	X1601 SSM3K15FU	SSM3K15FU	SSM3K15FU	X1601 SSM3K15FU	SSM3K15FU
C1684 0.01u/25	0.01u/25	0.01u/25	0.1u/16	0.01u/25	X1602 AS57123-A	AS57123-A	AS57123-A	X1602 AS57123-A	AS57123-A

# 10.14 DIGITAL MAIN\_L ASSY (6/11)

1 2 3 4

A  
B  
C  
D  
E  
F

F 2/11 - 5/11, 7/11 - 10/11



F 6/11

32

SC-72

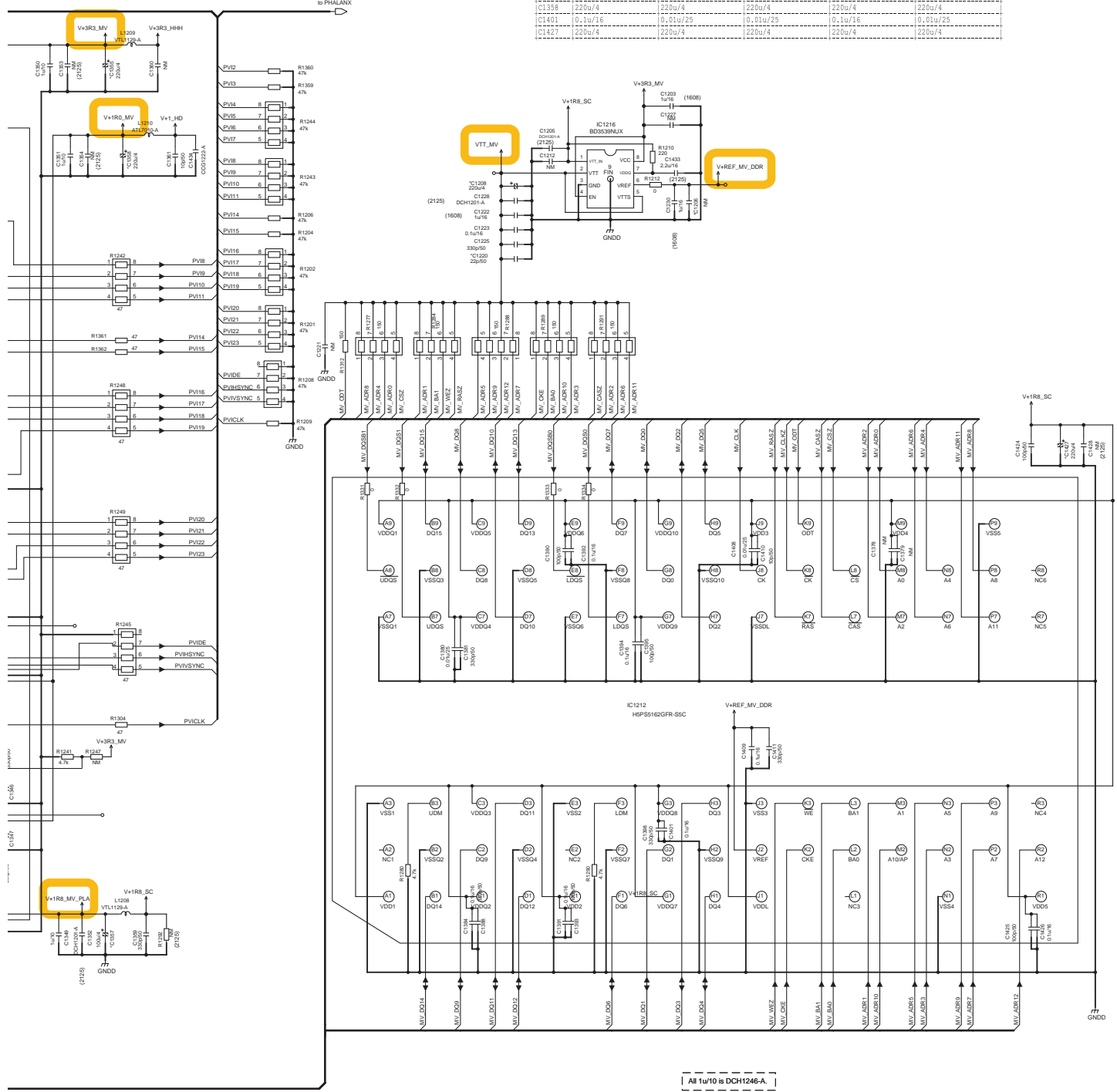
1 2 3 4



# F6/11 DIGITAL MAIN\_L ASSY (6/11) (AWX1354)

A  
B  
C  
D  
E  
F

C1206	AWX1354 (SEL-18, C0)	AWX1650 (SEL-18, S1)	AWX1661 (SEL-18, S2)	AWX1353 (SEL-12, C0)	AWX1449 (SEL-12, S1)
C1207	220p/5	220p/5	220p/5	220p/5	220p/5
C1208	220p/4	220p/4	220p/4	220p/4	220p/4
C1209	220p/4	220p/4	220p/4	220p/4	220p/4
C1210	220p/4	220p/4	220p/4	220p/4	220p/4
C1211	0.1u/16	0.1u/16	0.1u/25	0.1u/16	0.1u/16
C1212	0.1u/16	0.1u/16	0.1u/25	0.1u/16	0.1u/16
C1213	0.1u/16	0.1u/16	0.1u/25	0.1u/16	0.1u/16
C1214	0.1u/16	0.1u/16	0.1u/25	0.1u/16	0.1u/16
C1215	0.1u/16	0.1u/16	0.1u/25	0.1u/16	0.1u/16
C1216	0.1u/16	0.1u/16	0.1u/25	0.1u/16	0.1u/16
C1217	0.1u/16	0.1u/16	0.1u/25	0.1u/16	0.1u/16
C1218	0.1u/16	0.1u/16	0.1u/25	0.1u/16	0.1u/16
C1219	0.1u/16	0.1u/16	0.1u/25	0.1u/16	0.1u/16
C1220	0.1u/16	0.1u/16	0.1u/25	0.1u/16	0.1u/16
C1221	0.1u/16	0.1u/16	0.1u/25	0.1u/16	0.1u/16
C1222	0.1u/16	0.1u/16	0.1u/25	0.1u/16	0.1u/16
C1223	0.1u/16	0.1u/16	0.1u/25	0.1u/16	0.1u/16
C1224	0.1u/16	0.1u/16	0.1u/25	0.1u/16	0.1u/16
C1225	0.1u/16	0.1u/16	0.1u/25	0.1u/16	0.1u/16
C1226	0.1u/16	0.1u/16	0.1u/25	0.1u/16	0.1u/16
C1227	0.1u/16	0.1u/16	0.1u/25	0.1u/16	0.1u/16
C1228	0.1u/16	0.1u/16	0.1u/25	0.1u/16	0.1u/16
C1229	0.1u/16	0.1u/16	0.1u/25	0.1u/16	0.1u/16
C1230	0.1u/16	0.1u/16	0.1u/25	0.1u/16	0.1u/16
C1231	0.1u/16	0.1u/16	0.1u/25	0.1u/16	0.1u/16
C1232	0.1u/16	0.1u/16	0.1u/25	0.1u/16	0.1u/16
C1233	0.1u/16	0.1u/16	0.1u/25	0.1u/16	0.1u/16
C1234	0.1u/16	0.1u/16	0.1u/25	0.1u/16	0.1u/16
C1235	0.1u/16	0.1u/16	0.1u/25	0.1u/16	0.1u/16
C1236	0.1u/16	0.1u/16	0.1u/25	0.1u/16	0.1u/16
C1237	0.1u/16	0.1u/16	0.1u/25	0.1u/16	0.1u/16
C1238	0.1u/16	0.1u/16	0.1u/25	0.1u/16	0.1u/16
C1239	0.1u/16	0.1u/16	0.1u/25	0.1u/16	0.1u/16
C1240	0.1u/16	0.1u/16	0.1u/25	0.1u/16	0.1u/16
C1241	0.1u/16	0.1u/16	0.1u/25	0.1u/16	0.1u/16
C1242	0.1u/16	0.1u/16	0.1u/25	0.1u/16	0.1u/16



All 1u/10 is DCH1246-A.

The **Δ** mark found on some component parts should be replaced with same parts (safety regulation authorized) of identical designation.

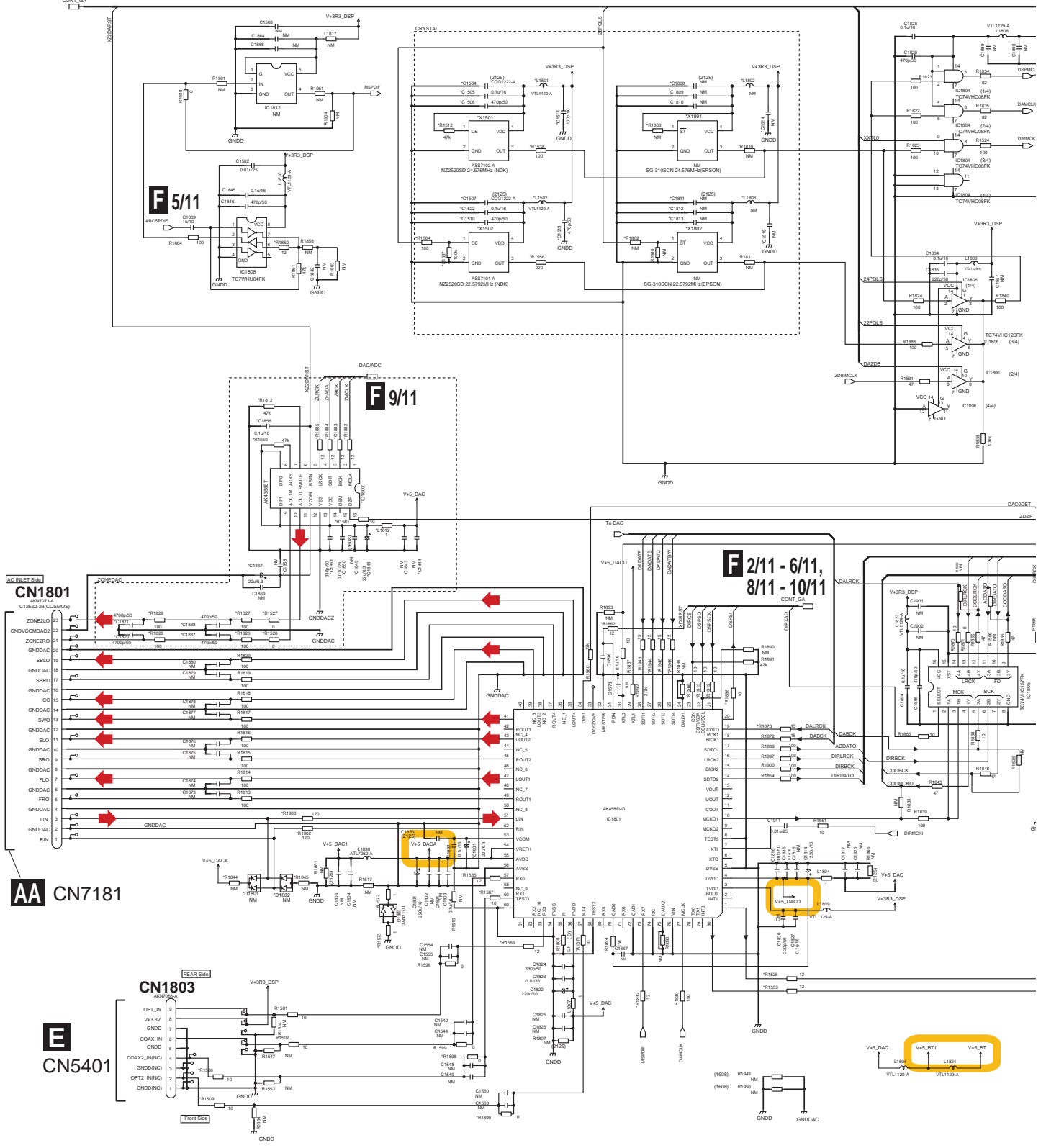
# 10.15 DIGITAL MAIN\_L ASSY (7/11)

1 2 3 4

A  
B  
C  
D  
E  
F

**F** 2/11 - 6/11, 8/11 - 10/11

MASTER CLOCK BUFFER



**F** 7/11

1 2 3 4

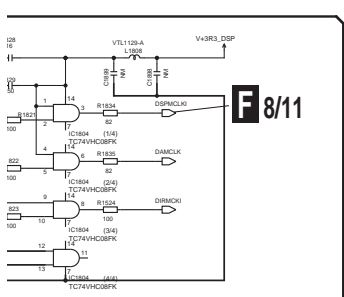
# F7/11 DIGITAL MAIN\_L ASSY (7/11) (AWX1354)

F 2/11, 4/11, 9/11, 10/11

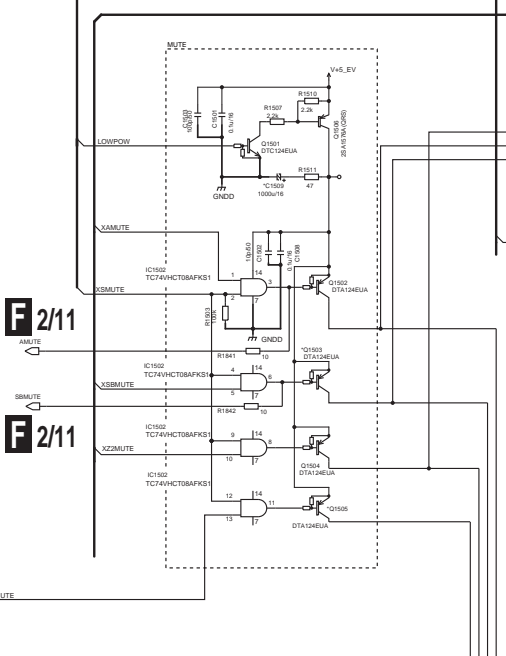
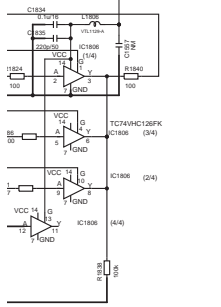
F 1/11 - 5/11, 8/11

F 2/11 - 6/11, 8/11 - 10/11

### MASTER CLOCK BUFFER

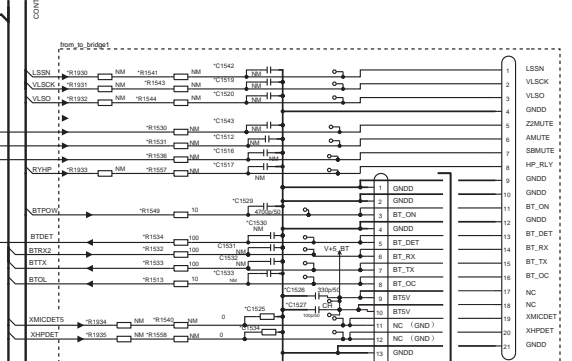


F 8/11



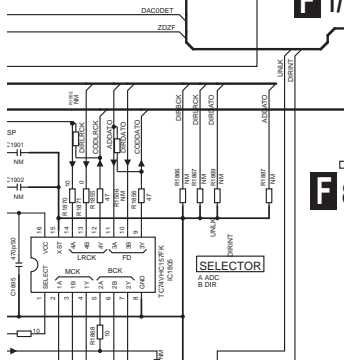
F 2/11

F 2/11



\*CN1503  
\*CN1504  
AA  
CN7182

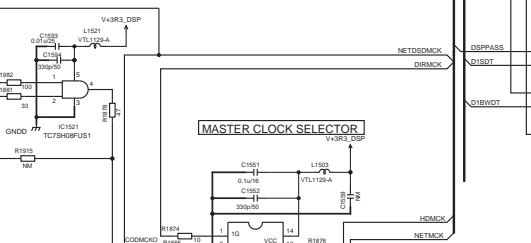
F 1/11 - 5/11, 8/11



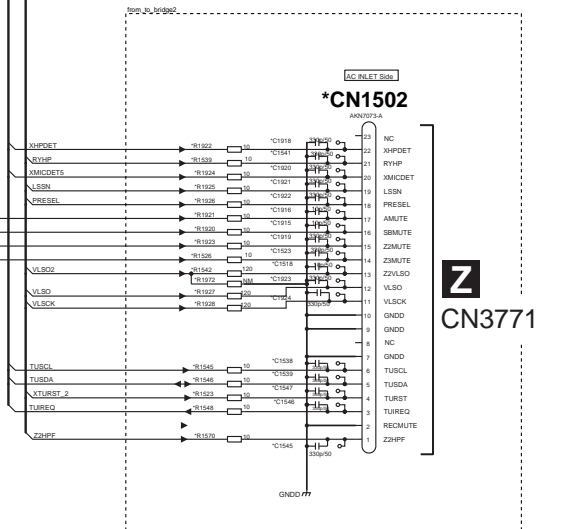
F 8/11

F 8/11

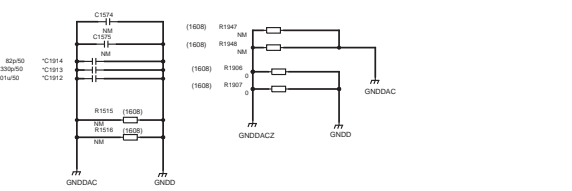
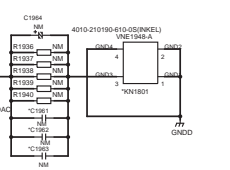
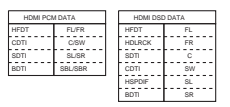
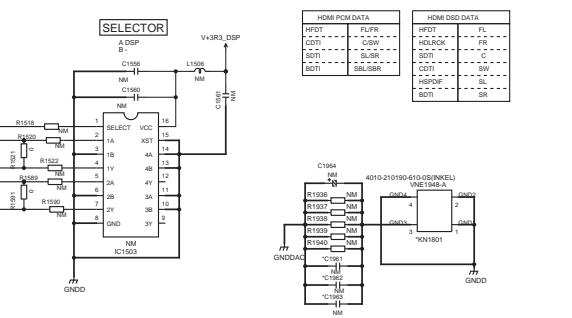
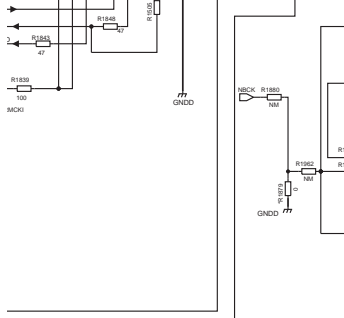
F 5/11, 8/11



F 3/11



\*CN1502  
Z  
CN3771

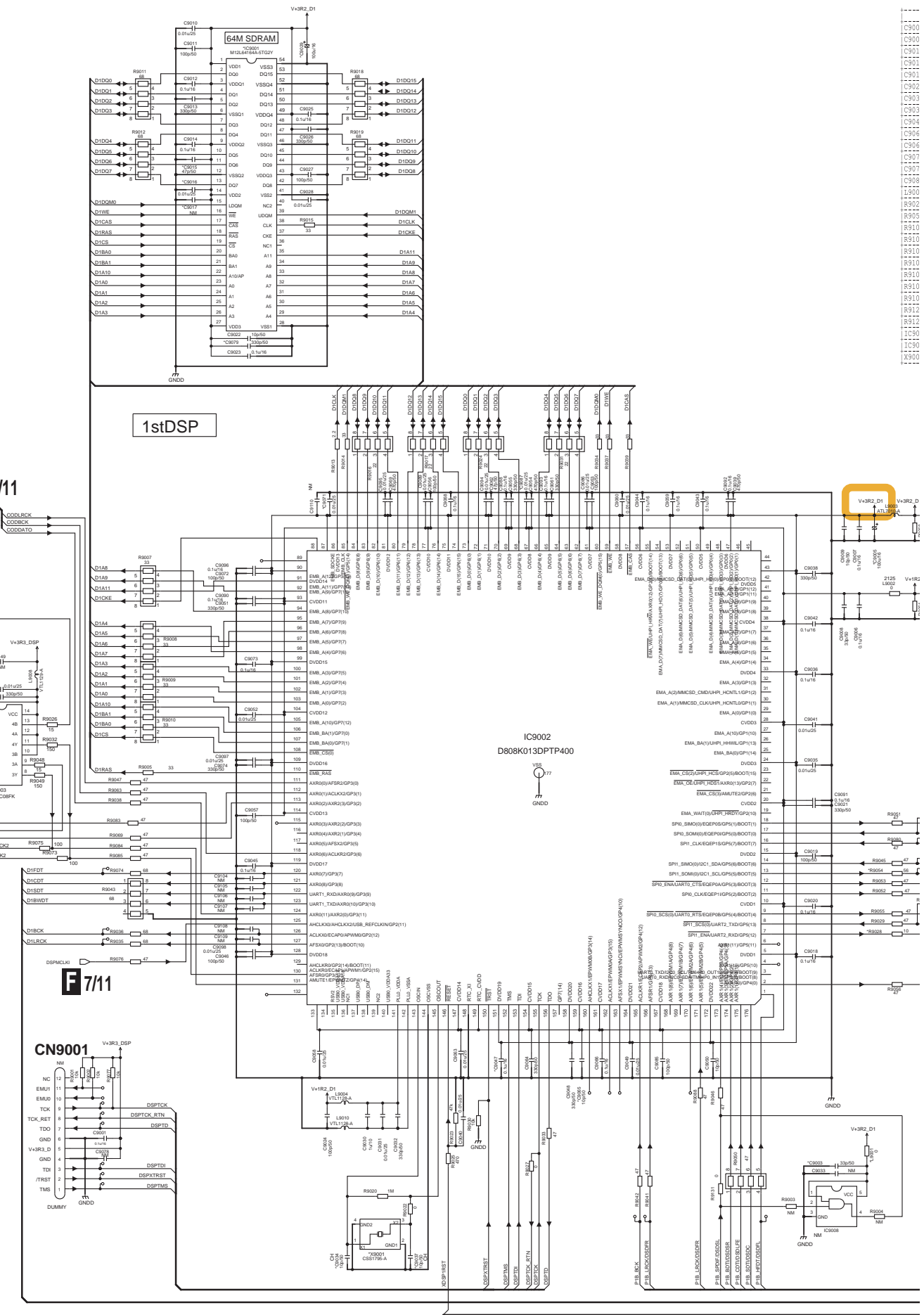


The  $\Delta$  mark found on some component parts should be replaced with same parts (safety regulation authorized) of identical designation.

➔ Audio Signal Route

F7/11

# 10.16 DIGITAL MAIN\_L ASSY (8/11)



F 8/11



# 10.17 DIGITAL MAIN\_L ASSY (9/11)

**F 9/11** DIGITAL (AWX13)

**F 2/11**

**F 2/11 - 8/11, 10/11**

**F 2/11**

**F 10/11**

**F 2/11**

**F 2/11**

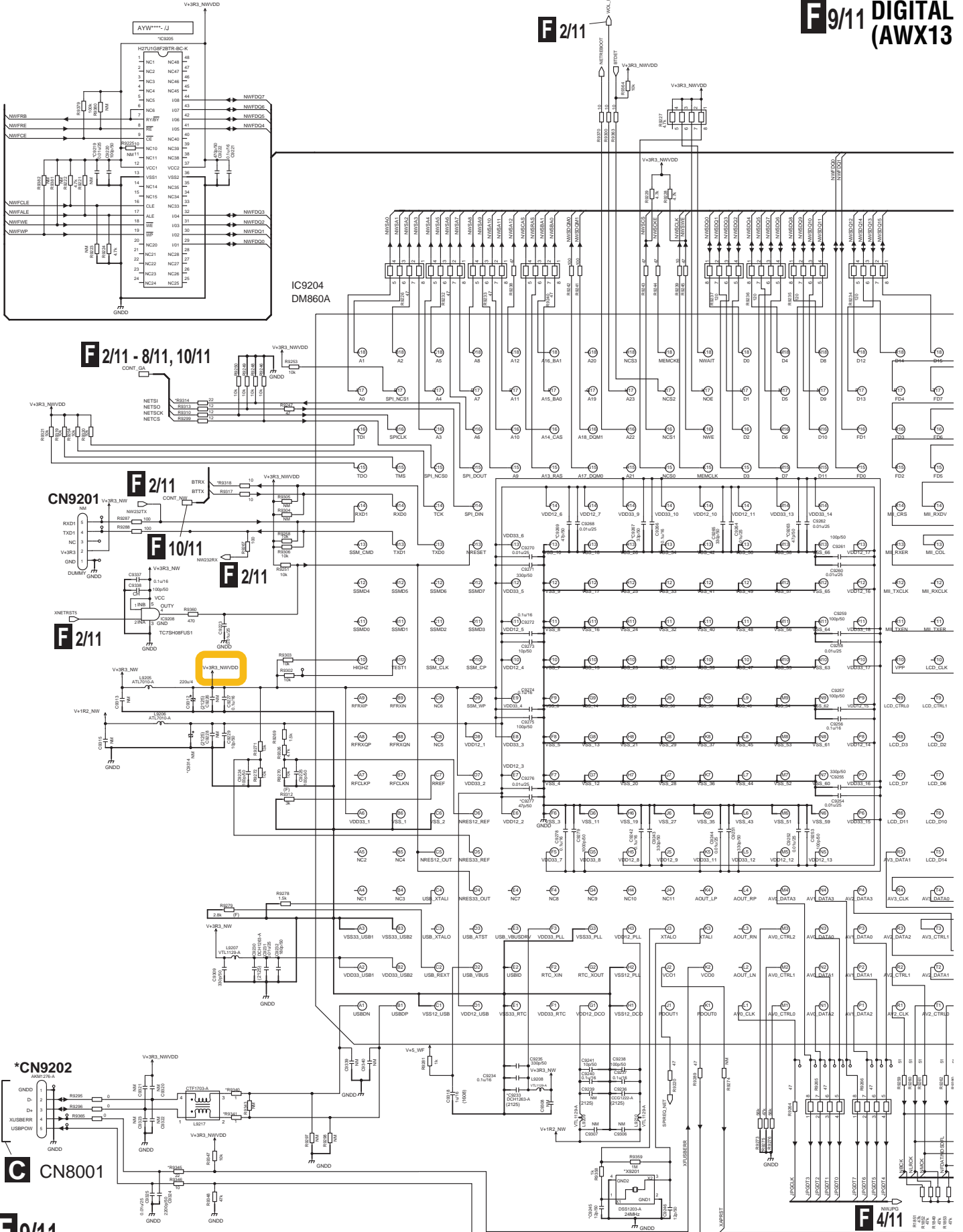
**F 2/11**

**\*CN9202**  
AKM1276-A

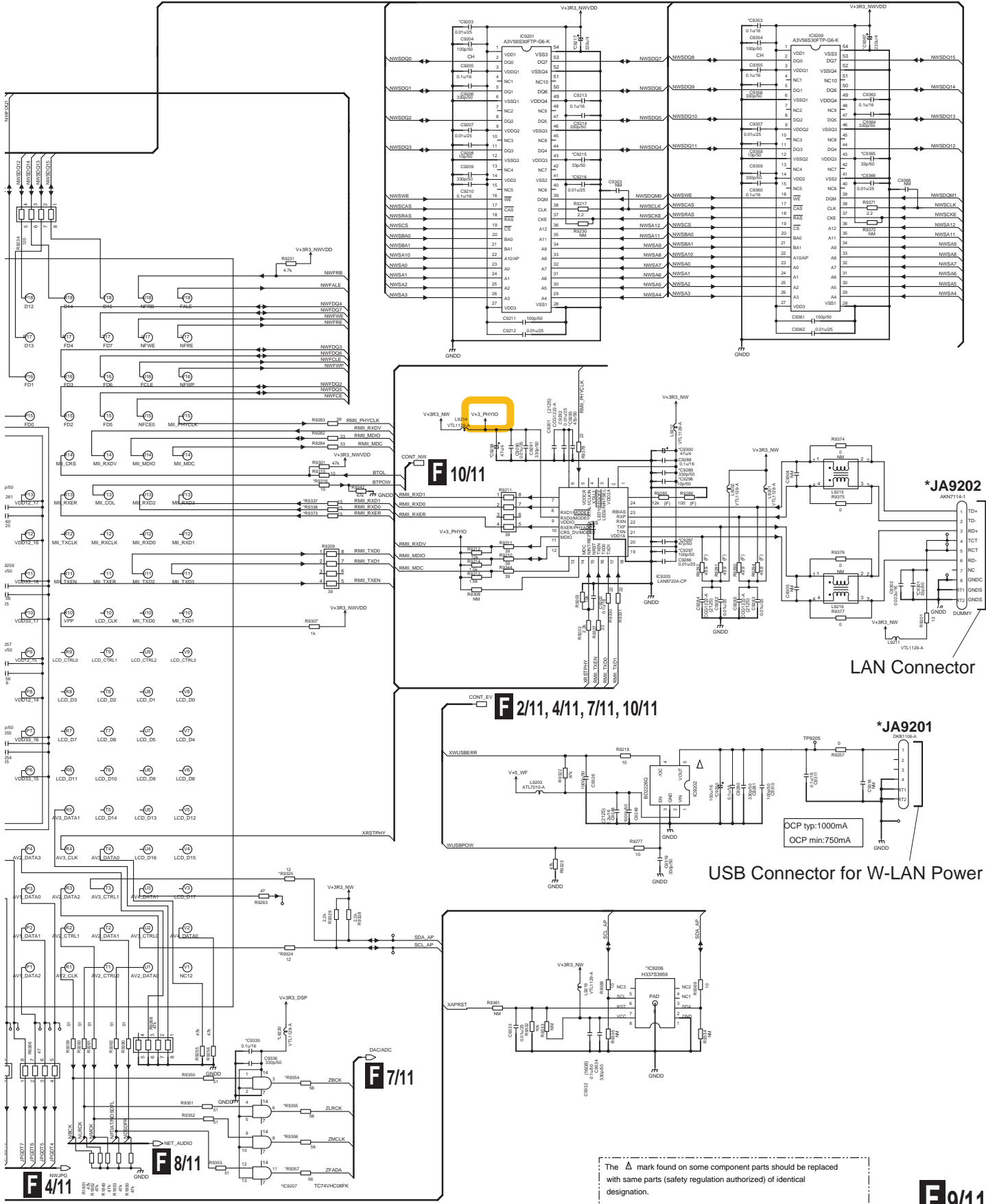
**C** CN8001

**F 9/11**

**F 4/11**



# #11 DIGITAL MAIN\_L ASSY (9/11) (AWX1354)



A  
B  
C  
D  
E  
F

# 10.18 DIGITAL MAIN\_L ASSY (10/11)

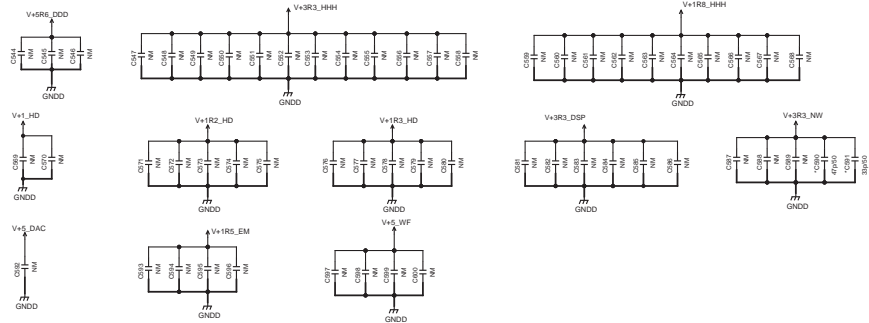
1

2

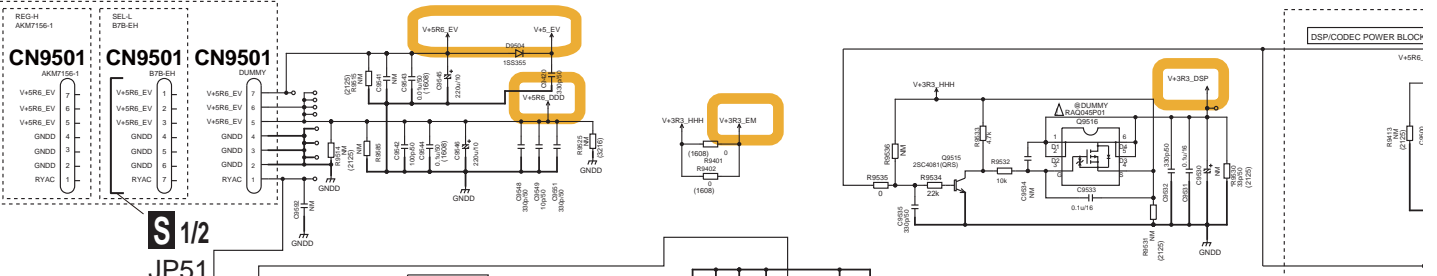
3

4

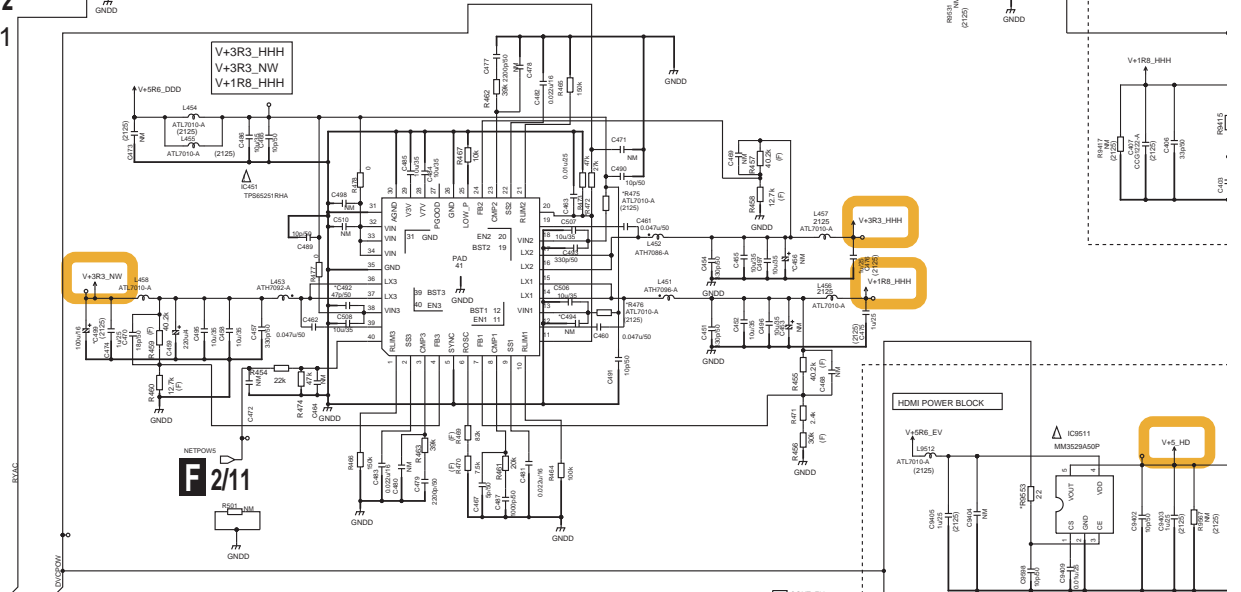
A



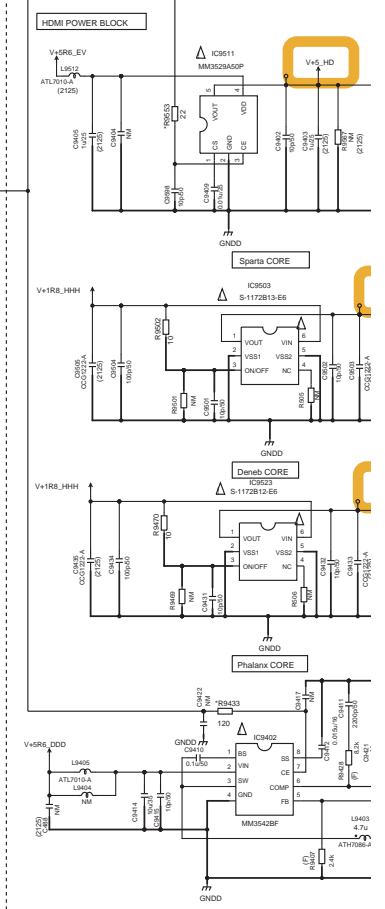
B



C



D



E

	ANK1354 (SEL-LB, CU)	ANK1650 (SEL-LB, SV)	ANK1661 (SEL-LB, JP)	ANK1353 (SEL-LB, CU)	ANK1649 (SEL-LB, SV)
C408	VCH1234-A	VCH1234-A	VCH1234-A	VCH1234-A	VCH1234-A
C428	100n/4	100n/4	100n/4	100n/4	100n/4
C456	220n/4	220n/4	220n/4	220n/4	220n/4
C482	NM	47p/50	NM	NM	NM
C494	330p/50	NM	NM	330p/50	330p/50
C499	100n/16	100n/16	100n/16	100n/16	100n/16
C590	NM	47p/50	47p/50	NM	330p/50
C591	NM	33p/50	33p/50	NM	NM
C9407	NM	33p/50	33p/50	NM	330p/50
C9436	220n/4	220n/4	220n/4	220n/4	220n/4
C9475	220n/4	220n/4	220n/4	NM	220n/4
C9485	10p/50	10p/50	33p/50	10p/50	10p/50
C9489	100n/16	100n/16	100n/16	100n/16	100n/16
C9490	0.1u/16	0.1u/16	NM	0.1u/16	0.1u/16
C9508	220n/4	220n/4	220n/4	220n/4	220n/4
C9559	100n/16	100n/16	100n/16	100n/16	100n/16
C9574	100n/16	100n/16	100n/16	100n/16	100n/16
R472	27k	27k	27k	27k	27k
R475	0	ATL7010-A	ATL7010-A	0	0
R476	0	ATL7010-A	ATL7010-A	0	0
R9422	22	22	22	22	22
R9433	120	120	120	120	120
R9530	NM	33p/50	33p/50	NM	NM
R9533	22	22	22	22	22
R9555	12	12	12	12	12
J9501	AEF7008-A	AEF7008-A	AEF7008-A	AEF7008-A	AEF7008-A
J9503	AEF7008-A	AEF7008-A	AEF7008-A	AEF7008-A	AEF7008-A
R9401	NM	NM	NM	VNE1348-A	VNE1348-A

F

F 10/11

1

2

3

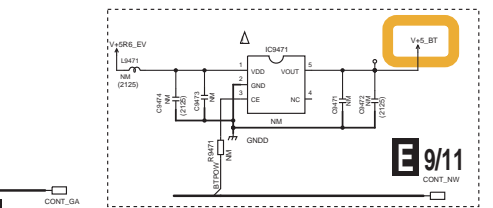
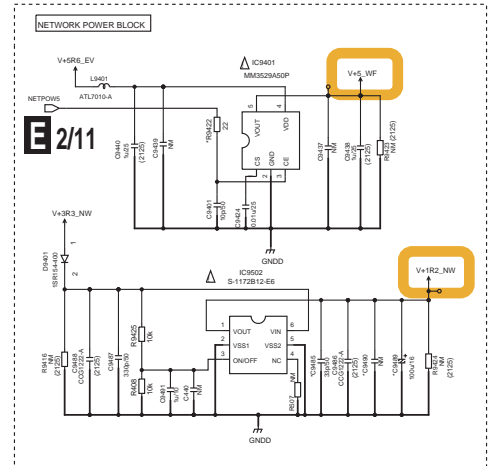
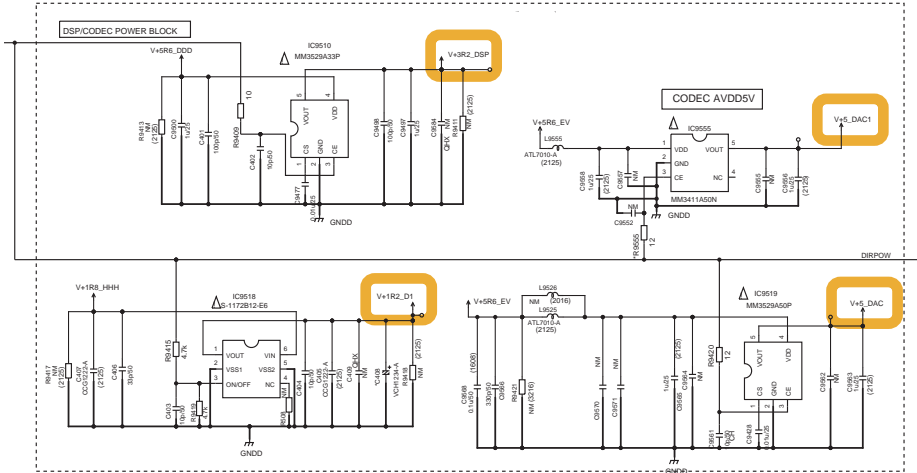
4



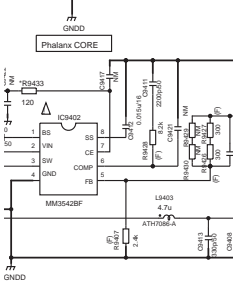
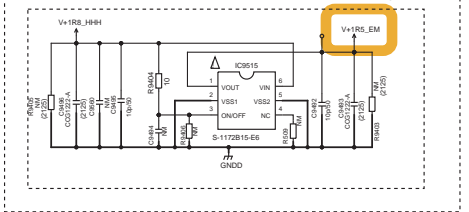
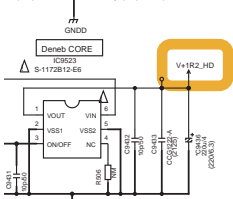
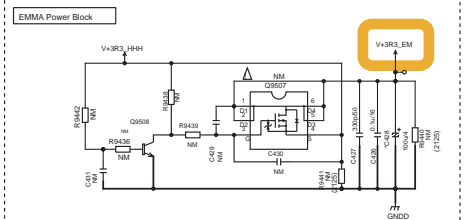
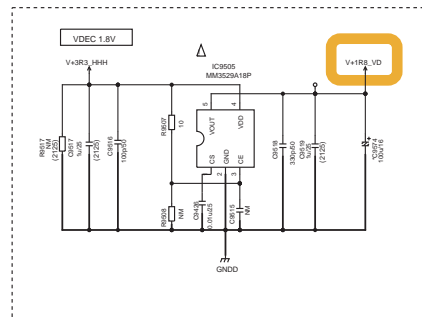
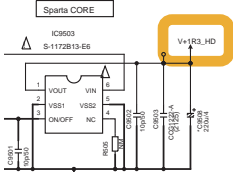
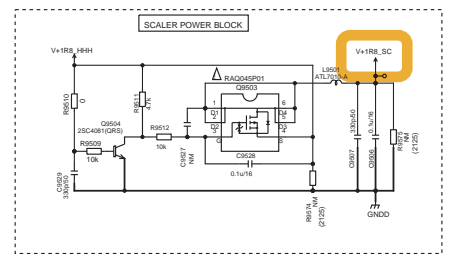
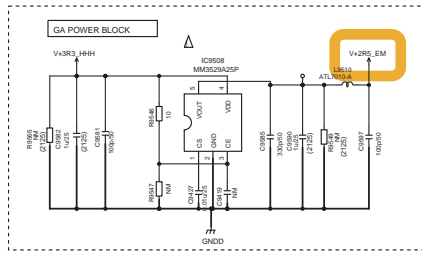
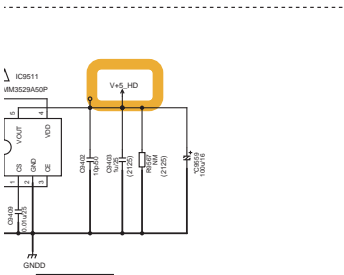
# F10/11 DIGITAL MAIN\_L ASSY (10/11) (AWX1354)

All 1u10 is DCH1246-A.  
CCG1222-A is 4.7u/25.

The  $\Delta$  mark found on some component parts should be replaced with same parts (safety regulation authorized) of identical designation.



E 2/11 - 9/11



A  
B  
C  
D  
E  
F



**F11/11** DIGITAL MAIN\_L ASSY (11/11)  
(AWX1354)

Sheet No.9

	AWX1354(SEL-LR CU)	AWX1650(SEL-LR SY)	AWX1661(SEL-LR SP)	AWX1353(SEL-LR CU)	AWX1649(SEL-LR SY)
C9203	0.1u/16	0.1u/16	0.01u/25	0.1u/16	0.1u/16
C9215	330p/50	330p/50	330p/50	330p/50	330p/50
C9216	0.01u/25	0.01u/25	0.01u/25	0.01u/25	0.01u/25
C9217	220u/4	220u/4	220u/4	220u/4	220u/4
C9219	0.01u/25	0.01u/25	0.01u/25	0.01u/25	0.01u/25
C9220	DCH1263-A	DCH1263-A	DCH1263-A	DCH1263-A	DCH1263-A
C9221	0.01u/25	0.01u/25	0.01u/25	0.01u/25	0.01u/25
C9222	330p/50	330p/50	330p/50	330p/50	330p/50
C9233	DCH1263-A	DCH1263-A	DCH1263-A	DCH1263-A	DCH1263-A
C9245	12p/50	12p/50	12p/50	12p/50	12p/50
C9246	12p/50	12p/50	12p/50	12p/50	12p/50
C9250	100u/16	100u/16	100u/16	100u/16	100u/16
C9255	330p/50	330p/50	330p/50	330p/50	330p/50
C9263	330p/50	47p/50	47p/50	330p/50	330p/50
C9267	330p/50	330p/50	330p/50	330p/50	330p/50
C9268	330p/50	330p/50	330p/50	330p/50	330p/50
C9269	12p/50	47p/50	47p/50	12p/50	12p/50
C9277	100p/50	100p/50	100p/50	100p/50	100p/50
C9287	100p/50	47p/50	47p/50	100p/50	100p/50
C9288	470p/50	330p/50	330p/50	470p/50	470p/50
C9291	100p/50	47p/50	33p/50	100p/50	100p/50
C9296	10p/50	10p/50	10p/50	10p/50	10p/50
C9297	330p/50	100p/50	100p/50	330p/50	330p/50
C9298	47u/4	47u/4	47u/4	47u/4	47u/4
C9300	47u/4	47u/4	47u/4	47u/4	47u/4
C9301	100p/50	33p/50	33p/50	100p/50	100p/50
C9314	RM	220u/4	220u/4	RM	220u/4
C9335	0.1u/16	0.1u/16	0.1u/16	0.1u/16	0.1u/16
C9353	0.01u/25	0.01u/25	0.01u/25	0.01u/25	0.01u/25
C9365	330p/50	330p/50	330p/50	330p/50	330p/50
C9366	0.01u/25	0.01u/25	0.01u/25	0.01u/25	0.01u/25
C9367	220u/4	220u/4	220u/4	220u/4	220u/4
R9275	47k	56k	56k	47k	56k
R9314	27	27	27	27	27
R9316	22	22	22	10	22
R9318	12	12	12	10	12
R9324	12	12	12	12	12
R9325	12	12	12	12	12
R9327	15	15	15	15	15
R9328	15	15	15	15	15
R9330	0	0	0	0	0
R9341	0	0	0	0	0
R9342	47k	47k	47k	47k	47k
R9345	22	22	22	22	22
R9354	56	56	56	56	56
R9355	56	56	56	56	56
R9356	56	56	56	56	56
R9357	56	56	56	56	56
R9373	15	15	15	15	15
V11120	V111129-A	V111129-A	V111129-A	V111129-A	V111129-A
IC2001	H270108F2878-8C	H270108F2878-8C	H270108F2878-8C	H270108F2878-8C	H270108F2878-8C
IC2002	53173393	53173393	53173393	53173393	53173393
IC2007	TC74VHC08FK	TC74VHC08FK	TC74VHC08FK	TC74VHC08FK	TC74VHC08FK
IC2008	AWX0276-A	AWX0276-A	AWX0276-A	AWX0276-A	AWX0276-A
J2S201	D8B1108-A	D8B1108-A	D8B1108-A	D8B1108-A	D8B1108-A
J2S202	AWX114-1	AWX114-1	AWX114-1	AWX114-1	AWX114-1
X9201	D8S1203-A	D8S1203-A	D8S1203-A	D8S1203-A	D8S1203-A

# 10.20 INTERFACE\_S ASSY

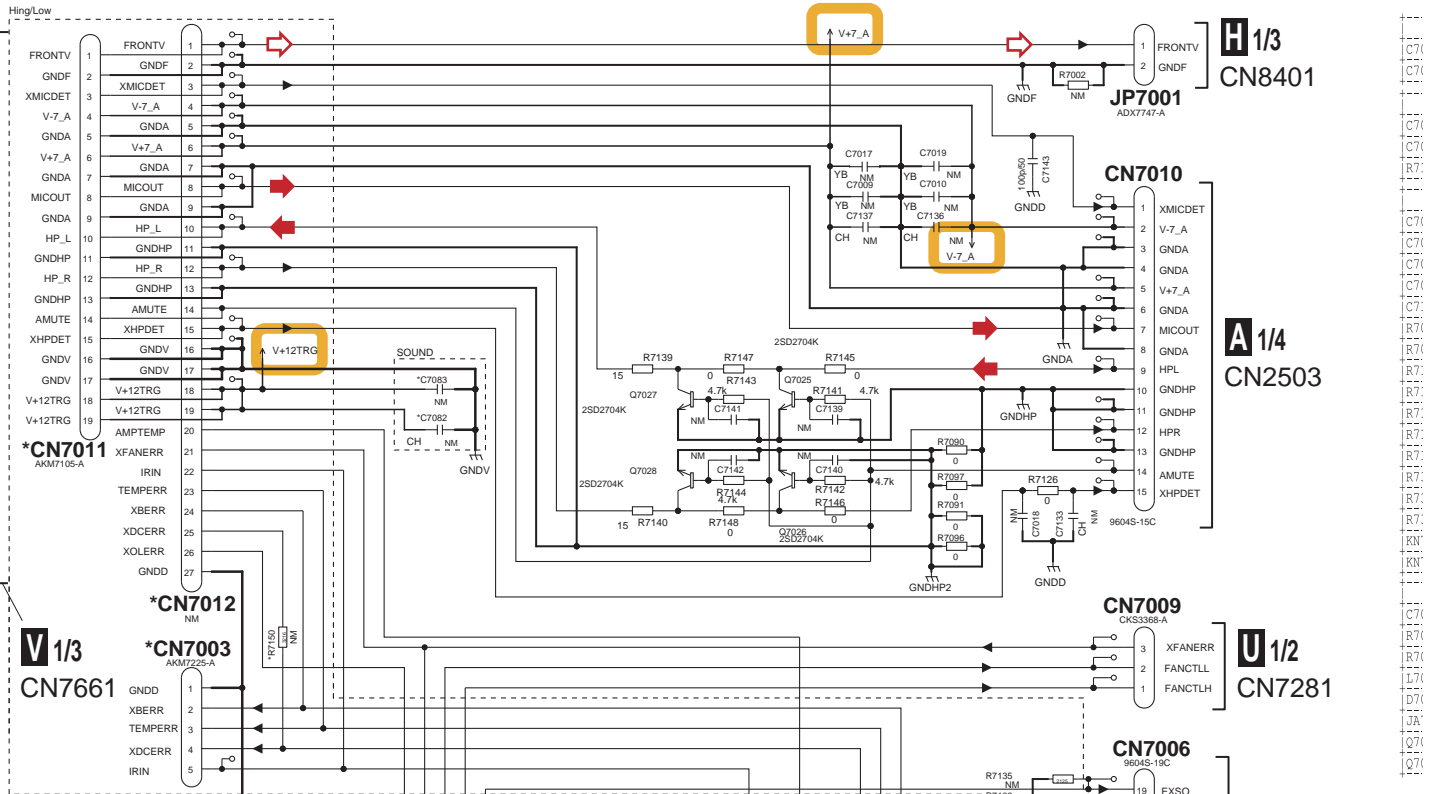
1

2

3

4

A



V 1/3  
CN7661

H 1/3  
CN8401

A 1/4  
CN2503

U 1/2  
CN7281

R 1/10  
CN4000

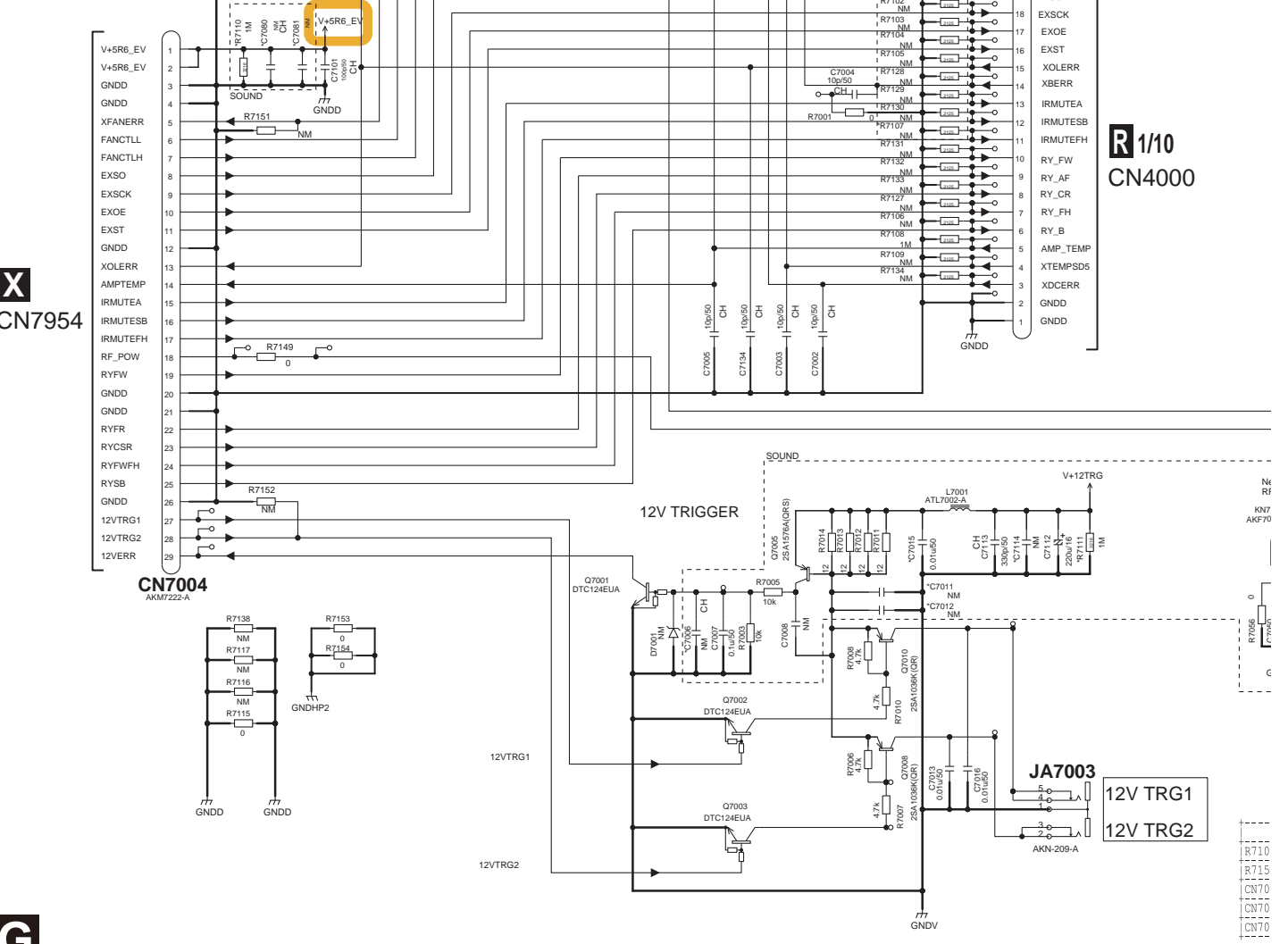
C

D

X  
CN7954

E

F



CN7004  
AKM7222-A

12V TRIGGER

JA7003

12V TRG1  
12V TRG2

G

1

2

3

4

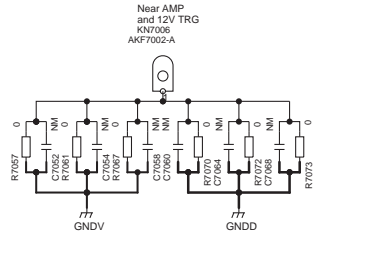
1/3  
N8401

	awx1363	awx1572	awx1573	awx1462	awx1574	awx1608	awx1677
C7082	NM	1000p/50	NM	NM	1000p/50	1000p/50	NM
C7083	NM	0.1u/50	NM	NM	0.1u/50	0.1u/50	NM
	awx1363	awx1572	awx1573	awx1462	awx1574	awx1608	awx1677
C7080	NM	1000p/50	NM	NM	1000p/50	1000p/50	NM
C7081	NM	0.1u/50	NM	NM	0.1u/50	0.1u/50	NM
R7110	1M	NM	1M	1M	NM	NM	1M

# INTERFACE\_S ASSY (SC-72 : AWX1574) (SC-1328-K, SC-1323-K : AWX1608)

1/4  
N2503

	awx1363	awx1572	awx1573	awx1462	awx1574	awx1608	awx1677
C7006	NM	1000p/50	NM	NM	1000p/50	1000p/50	NM
C7011	NM	0.1u/50	NM	NM	0.1u/50	0.1u/50	NM
C7012	NM	1000p/50	NM	NM	1000p/50	1000p/50	NM
C7015	0.01u/50	0.1u/50	0.01u/50	0.01u/50	0.1u/50	0.1u/50	0.01u/50
C7114	NM	0.1u/50	NM	NM	0.1u/50	0.1u/50	NM
R7043	0	NM	0	NM	NM	NM	0
R7098	0	NM	0	NM	NM	NM	0
R7111	1M	NM	1M	1M	NM	NM	1M
R7113	10	0	10	10	0	0	10
R7136	0	NM	0	NM	NM	NM	0
R7137	0	NM	0	NM	NM	NM	0
R7155	0	NM	0	NM	NM	NM	0
R7301	0	NM	0	NM	NM	NM	0
R7302	0	NM	0	NM	NM	NM	0
R7303	0	NM	0	NM	NM	NM	0
R7303	0	NM	0	NM	NM	NM	0

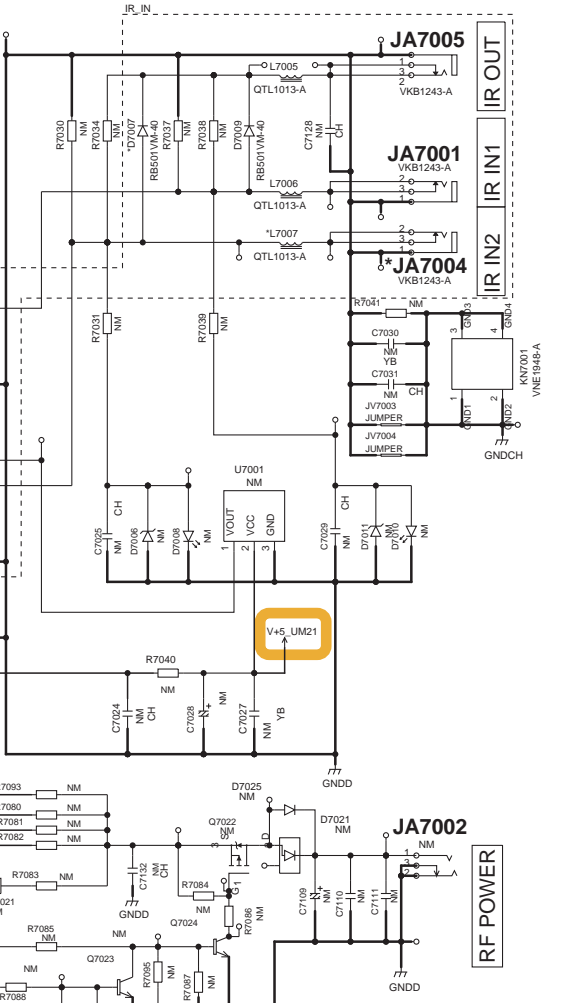
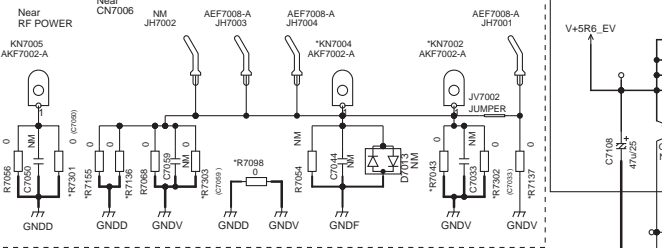
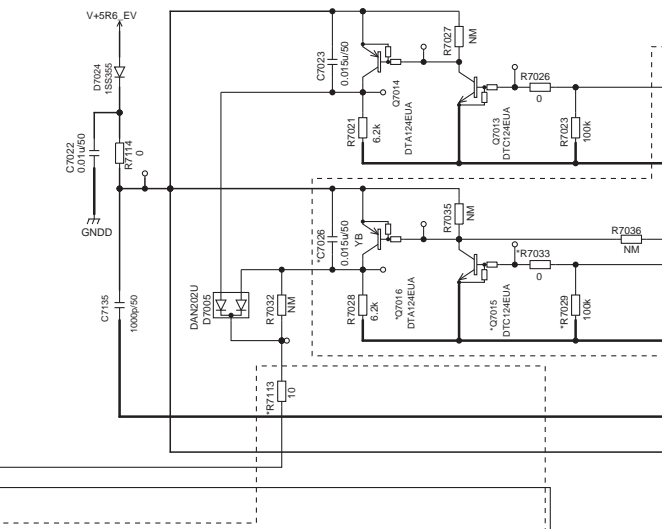


The  $\Delta$  mark found on some component parts should be replaced with same parts (safety regulation authorized) of identical designation.

U 1/2  
CN7281

	awx1363	awx1572	awx1573	awx1462	awx1574	awx1608	awx1677
C7026	0.015u/50	0.015u/50	0.015u/50	NM	0.015u/50	NM	NM
R7029	100k	100k	100k	NM	100k	NM	NM
R7033	0	0	0	NM	0	NM	NM
L7007	QTL1013-A	QTL1013-A	QTL1013-A	NM	QTL1013-A	NM	NM
D7007	RB501VM-40	RB501VM-40	RB501VM-40	NM	RB501VM-40	NM	NM
JA7004	VKB1243-A	VKB1243-A	VKB1243-A	NM	VKB1243-A	NM	NM
Q7015	DTC124EUA	DTC124EUA	DTC124EUA	NM	DTC124EUA	NM	NM
Q7016	DTA124EUA	DTA124EUA	DTA124EUA	NM	DTA124EUA	NM	NM

R 1/10  
CN4000



- NOTE**
- RESISTORS  
Unit: k-k $\Omega$ , M-M $\Omega$  or  $\Omega$  unless otherwise noted.  
Rated Power: 1/10w unless otherwise noted.  
Tolerance: (J)5% unless otherwise noted.  
MUF: RD14MUF  
2125: RS1850, 3216: RS145A  
NO MARKED: RS110SR unless otherwise noted.
  - CAPACITORS  
Unit: p-pF or u-F unless otherwise noted.  
Ratings: Capacity(F)/Voltage(V) unless otherwise noted.  
CH: CCSRCH, CFTLA: CFTLA  
NO MARKED: CKSRB or CEAK  
5: NM: No Mount

12V TRG1  
12V TRG2

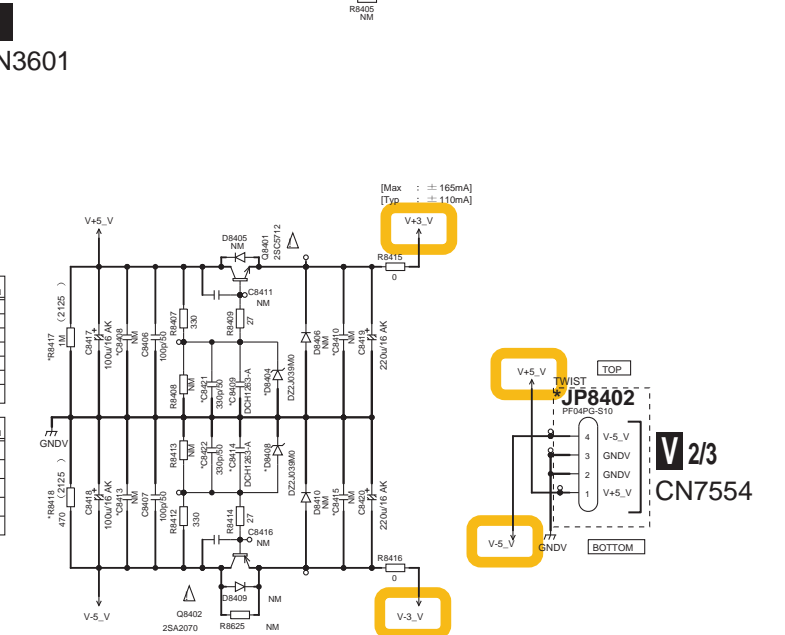
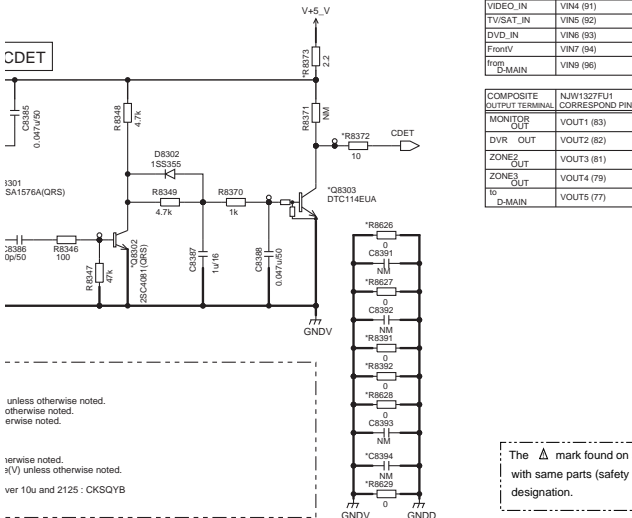
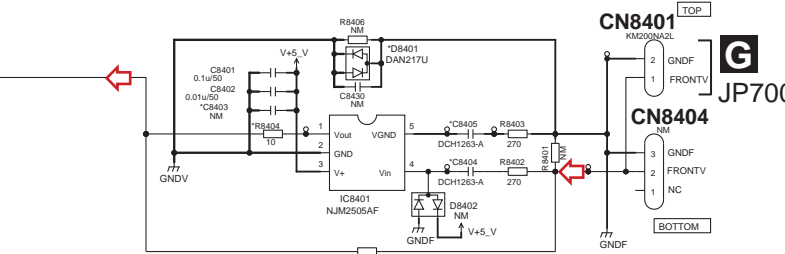
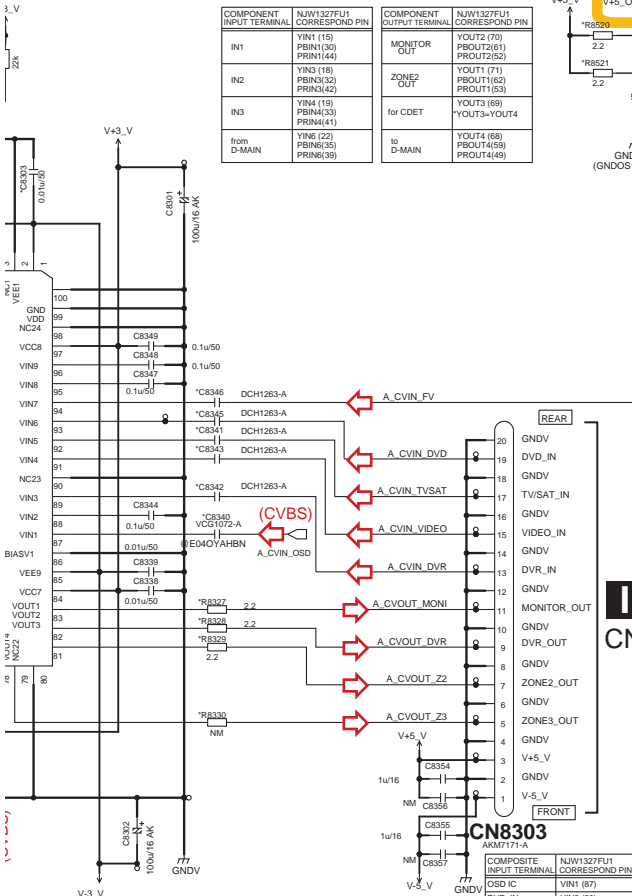
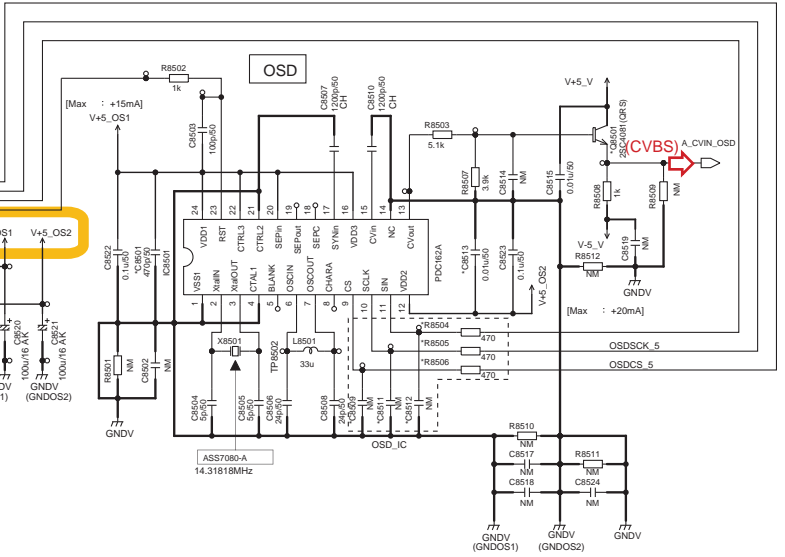
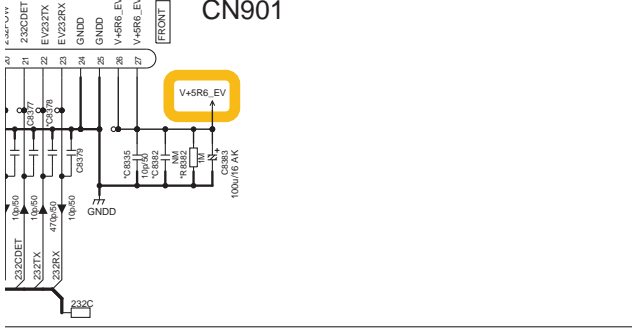
	awx1363	awx1572	awx1573	awx1462	awx1574	awx1608	awx1677
R7107	NM	NM	NM	0	0	0	0
R7150	NM	NM	NM	0	0	0	0
CN7003	AKM7225-A	AKM7225-A	AKM7225-A	NM	NM	NM	NM
CN7011	AKM7105-A	AKM7105-A	AKM7105-A	NM	NM	NM	NM
CN7012	NM	NM	NM	AKM7221-A	AKM7221-A	AKM7221-A	AKM7221-A

$\rightarrow$  Video Signal Route  
 $\rightarrow$  Audio Signal Route



# H<sup>1/3</sup> COMPONENT ASSY(1/3) (AWX1623)

## F 4/11 CN901



unless otherwise noted.  
otherwise noted.  
envis noted.

envis noted.  
a(V) unless otherwise noted.  
ver 10u and 2125 : CKSOYB

The  $\Delta$  mark found on some component parts should be replaced with same parts (safety regulation authorized) of identical designation.

- (CVBS)  $\rightarrow$  Video Signal Route
- (CB)  $\rightarrow$  Video Signal Route
- (CR)  $\rightarrow$  Video Signal Route
- (V)  $\rightarrow$  Video Signal Route
- $\rightarrow$  Video Signal Route

# 10.22 COMPONENT ASSY (2/3)

## SOUND\_1

	awx1105	awx1287	awx1316	awx1106	awx1288	awx1339	awx1107	awx1108	awx1340	awx1623	
C8303	1000p/50	1000p/50	0.01u/50	1000p/50	0.01u/50	0.01u/50	1000p/50	0.01u/50	0.01u/50	0.01u/50	0.0
C8305	DCH1201-A	DCH1201-A	DCH1263-A	DCH1201-A	DCH1263-A	DCH1263-A	DCH1201-A	DCH1263-A	DCH1263-A	DCH1263-A	DCH
C8306	DCH1201-A	DCH1201-A	DCH1263-A	DCH1201-A	DCH1263-A	DCH1263-A	DCH1201-A	DCH1263-A	DCH1263-A	DCH1263-A	DCH
C8307	DCH1201-A	DCH1201-A	DCH1263-A	DCH1201-A	DCH1263-A	DCH1263-A	DCH1201-A	DCH1263-A	DCH1263-A	DCH1263-A	DCH
C8309	1u/25	1u/25	VCG1072-A	DCH1201-A	DCH1263-A	DCH1263-A	DCH1201-A	DCH1263-A	DCH1263-A	VCG1072-A	VCG
C8313	DCH1201-A	DCH1201-A	DCH1263-A	DCH1201-A	DCH1263-A	DCH1263-A	DCH1201-A	DCH1263-A	DCH1263-A	DCH1263-A	DCH
C8315	DCH1201-A	DCH1201-A	DCH1263-A	DCH1201-A	DCH1263-A	DCH1263-A	DCH1201-A	DCH1263-A	DCH1263-A	DCH1263-A	DCH
C8317	1u/25	1u/25	VCG1072-A	DCH1201-A	DCH1263-A	DCH1263-A	DCH1201-A	DCH1263-A	DCH1263-A	VCG1072-A	VCG
C8319	1000p/50	1000p/50	0.01u/50	1000p/50	0.01u/50	0.01u/50	1000p/50	0.01u/50	0.01u/50	0.01u/50	0.0
C8320	1000p/50	1000p/50	0.01u/50	1000p/50	0.01u/50	0.01u/50	1000p/50	0.01u/50	0.01u/50	0.01u/50	0.0
C8322	1u/25	1u/25	VCG1072-A	DCH1201-A	DCH1263-A	DCH1263-A	DCH1201-A	DCH1263-A	DCH1263-A	VCG1072-A	VCG
C8324	DCH1201-A	DCH1201-A	DCH1263-A	DCH1201-A	DCH1263-A	DCH1263-A	DCH1201-A	DCH1263-A	DCH1263-A	DCH1263-A	DCH
C8326	DCH1201-A	DCH1201-A	DCH1263-A	DCH1201-A	DCH1263-A	DCH1263-A	DCH1201-A	DCH1263-A	DCH1263-A	DCH1263-A	DCH
C8335	10p/50	10p/50	10p/50	10p/50	NM	NM	10p/50	NM	NM	10p/50	10p
C8378	NM	470p/50	470p/50	1000p/50	470p/50	470p/50	1000p/50	470p/50	470p/50	470p/50	470
C8382	1u/16	1u/16	1u/16	1u/16	1u/16	NM	1u/16	1u/16	NM	NM	NM
C8607	0.01u/50	NM	NM	0.01u/50	NM	NM	0.01u/50	NM	NM	NM	NM
C8608	470p/50	NM	NM	470p/50	NM	NM	470p/50	NM	NM	NM	NM
C8618	NM	NM	NM	NM	330p/50	330p/50	NM	330p/50	330p/50	330p/50	330
C8619	10p/50	NM	NM	10p/50	NM	NM	10p/50	NM	NM	NM	NM
R8350	0	0	3.3	0	3.3	3.3	0	3.3	3.3	3.3	3.3
R8351	0	0	2.2	0	2.2	2.2	0	2.2	2.2	2.2	2.2
R8352	0	0	2.2	0	2.2	2.2	0	2.2	2.2	2.2	2.2
R8358	0	0	2.2	0	2.2	2.2	0	2.2	2.2	2.2	2.2
R8361	10	10	12	10	12	12	10	12	12	12	12
R8362	10	10	12	10	12	12	10	12	12	12	12
R8363	10	10	12	10	12	12	10	12	12	12	12
R8364	10	10	12	10	12	12	10	12	12	12	12
R8382	NM	NM	NM	NM	NM	NM	NM	NM	NM	NM	1M
R8604	100	100	100	100	120	120	100	120	120	100	100
R8605	100	100	120	100	120	120	100	120	120	120	120
R8606	100	100	120	100	120	120	100	120	120	120	120
R8607	100	100	100	100	120	120	100	120	120	100	100
R8610	NM	0	0	NM	0	0	NM	0	0	0	0
R8618	100	100	120	100	120	120	100	120	120	120	120
R8619	0	0	10	0	10	10	0	10	10	10	10
R8630	NM	0	0	NM	0	0	NM	0	0	0	0
R8631	NM	0	0	NM	0	0	NM	0	0	0	0
R8632	NM	0	0	NM	0	0	NM	0	0	0	0
R8633	NM	0	0	NM	0	0	NM	0	0	0	0
R8634	NM	0	0	NM	0	0	NM	0	0	0	0



# H<sup>2/3</sup> COMPONENT ASSY(2/3) (AWX1623)

A

B

C

D

E

F

awx1623	awx1624	awx1625	awx1626	awx1627	awx1628	awx1629	awx1630	awx1631	awx1672	awx1673
0.01u/50	0.01u/50	0.01u/50	0.01u/50	0.01u/50	0.01u/50	0.01u/50	0.01u/50	0.01u/50	0.01u/50	0.01u/50
DCH1263-A	DCH1263-A	DCH1263-A	DCH1263-A	DCH1263-A	DCH1263-A	DCH1263-A	DCH1263-A	DCH1263-A	DCH1263-A	DCH1263-A
DCH1263-A	DCH1263-A	DCH1263-A	DCH1263-A	DCH1263-A	DCH1263-A	DCH1263-A	DCH1263-A	DCH1263-A	DCH1263-A	DCH1263-A
DCH1263-A	DCH1263-A	DCH1263-A	DCH1263-A	DCH1263-A	DCH1263-A	DCH1263-A	DCH1263-A	DCH1263-A	DCH1263-A	DCH1263-A
VCG1072-A	VCG1072-A	VCG1072-A	DCH1263-A	DCH1263-A	DCH1263-A	DCH1263-A	DCH1263-A	DCH1263-A	VCG1072-A	VCG1072-A
DCH1263-A	DCH1263-A	DCH1263-A	DCH1263-A	DCH1263-A	DCH1263-A	DCH1263-A	DCH1263-A	DCH1263-A	DCH1263-A	DCH1263-A
DCH1263-A	DCH1263-A	DCH1263-A	DCH1263-A	DCH1263-A	DCH1263-A	DCH1263-A	DCH1263-A	DCH1263-A	DCH1263-A	DCH1263-A
VCG1072-A	VCG1072-A	VCG1072-A	DCH1263-A	DCH1263-A	DCH1263-A	DCH1263-A	DCH1263-A	DCH1263-A	VCG1072-A	VCG1072-A
0.01u/50	0.01u/50	0.01u/50	0.01u/50	0.01u/50	0.01u/50	0.01u/50	0.01u/50	0.01u/50	0.01u/50	0.01u/50
0.01u/50	0.01u/50	0.01u/50	0.01u/50	0.01u/50	0.01u/50	0.01u/50	0.01u/50	0.01u/50	0.01u/50	0.01u/50
VCG1072-A	VCG1072-A	VCG1072-A	DCH1263-A	DCH1263-A	DCH1263-A	DCH1263-A	DCH1263-A	DCH1263-A	VCG1072-A	VCG1072-A
DCH1263-A	DCH1263-A	DCH1263-A	DCH1263-A	DCH1263-A	DCH1263-A	DCH1263-A	DCH1263-A	DCH1263-A	DCH1263-A	DCH1263-A
DCH1263-A	DCH1263-A	DCH1263-A	DCH1263-A	DCH1263-A	DCH1263-A	DCH1263-A	DCH1263-A	DCH1263-A	DCH1263-A	DCH1263-A
10p/50	10p/50	10p/50	NM	NM	NM	NM	NM	NM	10p/50	10p/50
470p/50	470p/50	470p/50	470p/50	470p/50	470p/50	470p/50	470p/50	470p/50	470p/50	470p/50
NM	NM	NM	NM	NM	NM	NM	NM	NM	NM	NM
NM	NM	NM	NM	NM	NM	NM	NM	NM	NM	NM
NM	NM	NM	NM	NM	NM	NM	NM	NM	NM	NM
330p/50	330p/50	330p/50	330p/50	330p/50	330p/50	330p/50	330p/50	330p/50	330p/50	330p/50
NM	NM	NM	NM	NM	NM	NM	NM	NM	NM	NM
3.3	3.3	3.3	3.3	3.3	3.3	3.3	3.3	3.3	3.3	3.3
2.2	2.2	2.2	2.2	2.2	2.2	2.2	2.2	2.2	2.2	2.2
2.2	2.2	2.2	2.2	2.2	2.2	2.2	2.2	2.2	2.2	2.2
2.2	2.2	2.2	2.2	2.2	2.2	2.2	2.2	2.2	2.2	2.2
12	12	12	12	12	12	12	12	12	12	12
12	12	12	12	12	12	12	12	12	12	12
12	12	12	12	12	12	12	12	12	12	12
12	12	12	12	12	12	12	12	12	12	12
NM	1M	1M	NM	1M	1M	1M	1M	1M	1M	1M
100	100	100	120	120	120	120	120	120	100	100
120	120	120	120	120	120	120	120	120	120	120
120	120	120	120	120	120	120	120	120	120	120
100	100	100	120	120	120	120	120	120	100	100
0	0	0	0	0	0	0	0	0	0	0
120	120	120	120	120	120	120	120	120	120	120
10	10	10	10	10	10	10	10	10	10	10
0	0	0	0	0	0	0	0	0	0	0
0	0	0	0	0	0	0	0	0	0	0
0	0	0	0	0	0	0	0	0	0	0
0	0	0	0	0	0	0	0	0	0	0
0	0	0	0	0	0	0	0	0	0	0

# 10.23 COMPONENT ASSY (3/3)

1 2 3 4

## SOUND\_2

	awx1105	awx1287	awx1316	awx1106	awx1288	awx1339	awx1107	awx1108	awx1340	awx1623	awx16
C8340	1u/25	1u/25	VCG1072-A	1u/25	VCG1072-A	VCG1072-A	1u/25	VCG1072-A	VCG1072-A	VCG1072-A	VCG1072-A
C8341	DCH1201-A	DCH1201-A	DCH1263-A	DCH1201-A	DCH1263-A	DCH1263-A	DCH1201-A	DCH1263-A	DCH1263-A	DCH1263-A	DCH1263-A
C8342	DCH1201-A	DCH1201-A	DCH1263-A	DCH1201-A	DCH1263-A	DCH1263-A	DCH1201-A	DCH1263-A	DCH1263-A	DCH1263-A	DCH1263-A
C8343	DCH1201-A	DCH1201-A	DCH1263-A	DCH1201-A	DCH1263-A	DCH1263-A	DCH1201-A	DCH1263-A	DCH1263-A	DCH1263-A	DCH1263-A
C8345	DCH1201-A	DCH1201-A	DCH1263-A	DCH1201-A	DCH1263-A	DCH1263-A	DCH1201-A	DCH1263-A	DCH1263-A	DCH1263-A	DCH1263-A
C8346	DCH1201-A	DCH1201-A	DCH1263-A	DCH1201-A	DCH1263-A	DCH1263-A	DCH1201-A	DCH1263-A	DCH1263-A	DCH1263-A	DCH1263-A
C8394	47p/50	NM	NM	47p/50	NM	NM	47p/50	NM	NM	NM	NM
C8403	1000p/50	1000p/50	NM	1000p/50	NM	NM	1000p/50	NM	NM	NM	NM
C8404	DCH1201-A	DCH1201-A	DCH1263-A	DCH1201-A	DCH1263-A	DCH1263-A	DCH1201-A	DCH1263-A	DCH1263-A	DCH1263-A	DCH1263-A
C8405	DCH1201-A	DCH1201-A	DCH1263-A	DCH1201-A	DCH1263-A	DCH1263-A	DCH1201-A	DCH1263-A	DCH1263-A	DCH1263-A	DCH1263-A
C8408	1000p/50	NM	NM	1000p/50	NM	NM	1000p/50	NM	NM	NM	NM
C8409	DCH1201-A	DCH1263-A	DCH1263-A	DCH1201-A	DCH1263-A	DCH1263-A	DCH1201-A	DCH1263-A	DCH1263-A	DCH1263-A	DCH1263-A
C8410	1000p/50	NM	NM	1000p/50	NM	NM	1000p/50	NM	NM	NM	NM
C8413	1000p/50	NM	NM	1000p/50	NM	NM	1000p/50	NM	NM	NM	NM
C8414	DCH1201-A	DCH1263-A	DCH1263-A	DCH1201-A	DCH1263-A	DCH1263-A	DCH1201-A	DCH1263-A	DCH1263-A	DCH1263-A	DCH1263-A
C8415	1000p/50	NM	NM	1000p/50	NM	NM	1000p/50	NM	NM	NM	NM
C8421	1000p/50	330p/50	330p/50	1000p/50	330p/50	330p/50	1000p/50	330p/50	330p/50	330p/50	330p/50
C8422	1000p/50	330p/50	330p/50	1000p/50	330p/50	330p/50	1000p/50	330p/50	330p/50	330p/50	330p/50
C8501	1000p/50	1000p/50	1000p/50	1000p/50	1000p/50	1000p/50	1000p/50	1000p/50	1000p/50	1000p/50	470p/50
C8513	1000p/50	1000p/50	0.01u/50	1000p/50	0.01u/50	0.01u/50	1000p/50	0.01u/50	0.01u/50	0.01u/50	0.01u/50
R8327	0	0	2.2	0	2.2	2.2	0	2.2	2.2	2.2	2.2
R8328	0	0	2.2	0	2.2	2.2	0	2.2	2.2	2.2	2.2
R8329	0	0	2.2	0	2.2	2.2	0	2.2	2.2	2.2	2.2
R8330	0	0	NM	0	2.2	2.2	0	2.2	2.2	NM	NM
R8372	0	0	10	0	10	10	0	10	10	10	10
R8373	0	0	2.2	0	2.2	2.2	0	2.2	2.2	2.2	2.2
R8391	NM	0	0	NM	0	0	NM	0	0	0	0
R8392	NM	0	0	NM	0	0	NM	0	0	0	0
R8404	0	0	10	0	10	10	0	10	10	10	10
R8417	1M	1M	1M	1M	1M	1M	1M	1M	820k	1M	1M
R8418	560	470	470	560	470	470	560	470	470	470	470
R8520	0	0	2.2	0	2.2	2.2	0	2.2	2.2	2.2	2.2
R8521	0	0	2.2	0	2.2	2.2	0	2.2	2.2	2.2	2.2
R8626	NM	0	0	NM	0	0	NM	0	0	0	0
R8627	NM	0	0	NM	0	0	NM	0	0	0	0
R8628	NM	0	0	NM	0	0	NM	0	0	0	0
R8629	NM	0	0	NM	0	0	NM	0	0	0	0

## JACK

	awx1105	awx1287	awx1316	awx1106	awx1288	awx1339	awx1107	awx1108	awx1340	awx1623	awx16
R8307	0	0	0	75	75	75	75	75	75	0	0
R8308	0	0	0	75	75	75	75	75	75	0	0
R8309	0	0	0	75	75	75	75	75	75	0	0
R8316	NM	NM	NM	68	68	68	68	NM	NM	NM	NM
R8317	NM	NM	NM	3.9	3.9	3.9	3.9	NM	NM	NM	NM
R8318	NM	NM	NM	68	68	68	68	NM	NM	NM	NM
R8319	NM	NM	NM	3.9	3.9	3.9	3.9	NM	NM	NM	NM
R8320	NM	NM	NM	68	68	68	68	NM	NM	NM	NM
R8321	NM	NM	NM	3.9	3.9	3.9	3.9	NM	NM	NM	NM
JA8301	AKB7224-A	AKB7224-A	AKB7224-A	AKB7225-A	AKB7225-A	AKB7225-A	AKB7224-A	AKB7224-A	AKB7224-A	AKB7224-A	AKB7224-A
JA8302	NM	NM	NM	AKB7228-A	AKB7228-A	AKB7228-A	AKB7227-A	AKB7227-A	AKB7227-A	NM	NM
JA8304	AKB7227-A	AKB7227-A	AKB7227-A	AKB7228-A	AKB7228-A	AKB7228-A	AKB7227-A	AKB7227-A	AKB7227-A	AKB7227-A	AKB7227-A
JA8305	NM	NM	NM	AKB7228-A	AKB7228-A	AKB7228-A	AKB7227-A	NM	NM	NM	NM

## TWIST

	awx1105	awx1287	awx1316	awx1106	awx1288	awx1339	awx1107	awx1108	awx1340	awx1623	awx16
JP8402	PF04PG-S10	PF04PG-S10	PF04PG-S10	ADX7746-A	ADX7746-A	ADX7746-A	ADX7746-A	ADX7746-A	ADX7746-A	PF04PG-S10	PF04PG-S10

## T\_D

	awx1105	awx1287	awx1316	awx1106	awx1288	awx1339	awx1107	awx1108	awx1340	awx1623	awx16
D8401	1SS302	1SS302	1SS302	1SS302	1SS302	1SS302	1SS302	1SS302	1SS302	DAN217U	DAN217U
D8404	RKZ3.9KG(B2)	RKZ3.9KG(B2)	RKZ3.9KG(B2)	RKZ3.9KG(B2)	RKZ3.9KG(B2)	RKZ3.9KG(B2)	RKZ3.9KG(B2)	RKZ3.9KG(B2)	RKZ3.9KG(B2)	DZ2J039M0	DZ2J039M0
D8408	RKZ3.9KG(B2)	RKZ3.9KG(B2)	RKZ3.9KG(B2)	RKZ3.9KG(B2)	RKZ3.9KG(B2)	RKZ3.9KG(B2)	RKZ3.9KG(B2)	RKZ3.9KG(B2)	RKZ3.9KG(B2)	DZ2J039M0	DZ2J039M0
Q8301	ISA1602AM1(EF)	ISA1602AM1(EF)	ISA1602AM1(EF)	ISA1602AM1(EF)	ISA1602AM1(EF)	ISA1602AM1(EF)	ISA1602AM1(EF)	ISA1602AM1(EF)	ISA1602AM1(EF)	2SA1576A(QRS)	2SA1576A(QRS)
Q8302	2SC4154-11(EF)	2SC4154-11(EF)	2SC4154-11(EF)	2SC4154-11(EF)	2SC4154-11(EF)	2SC4154-11(EF)	2SC4154-11(EF)	2SC4154-11(EF)	2SC4154-11(EF)	2SC4081(QRS)	2SC4081(QRS)
Q8303	RT1N141M-11	RT1N141M-11	RT1N141M-11	RT1N141M-11	RT1N141M-11	RT1N141M-11	RT1N141M-11	RT1N141M-11	RT1N141M-11	DTCL14EUA	DTCL14EUA
Q8501	2SC4154-11(EF)	2SC4154-11(EF)	2SC4154-11(EF)	2SC4154-11(EF)	2SC4154-11(EF)	2SC4154-11(EF)	2SC4154-11(EF)	2SC4154-11(EF)	2SC4154-11(EF)	2SC4081(QRS)	2SC4081(QRS)
Q8603	2SC4154-11(EF)	2SC4154-11(EF)	2SC4154-11(EF)	2SC4154-11(EF)	2SC4154-11(EF)	LSC4081UB(QRS)	2SC4154-11(EF)	2SC4154-11(EF)	LSC4081UB(QRS)	2SC4081(QRS)	2SC4081(QRS)
Q8604	ISA1602AM1(EF)	ISA1602AM1(EF)	ISA1602AM1(EF)	ISA1602AM1(EF)	ISA1602AM1(EF)	LSA1576UB(QRS)	ISA1602AM1(EF)	ISA1602AM1(EF)	LSA1576UB(QRS)	2SA1576A(QRS)	2SA1576A(QRS)
Q8605	RT1N141M-11	RT1N141M-11	RT1N141M-11	RT1N141M-11	RT1N141M-11	LTCL14EUB	RT1N141M-11	RT1N141M-11	LTCL14EUB	DTCL14EUA	DTCL14EUA

## OSD IC

	awx1105	awx1287	awx1316	awx1106	awx1288	awx1339	awx1107	awx1108	awx1340	awx1623	awx16
C8509	100p/50	100p/50	100p/50	100p/50	100p/50	100p/50	100p/50	100p/50	100p/50	100p/50	100p/50
C8511	100p/50	100p/50	100p/50	100p/50	100p/50	100p/50	100p/50	100p/50	100p/50	47p/50	47p/50
C8512	100p/50	100p/50	100p/50	100p/50	100p/50	100p/50	100p/50	100p/50	100p/50	47p/50	47p/50
R8504	330	330	330	330	330	330	330	330	330	100	100
R8505	330	330	330	330	330	330	330	330	330	100	100
R8506	330	330	330	330	330	330	330	330	330	330	330



1 2 3 4

# H<sub>3/3</sub> COMPONENT ASSY(3/3) (AWX1623)

A

awx1623	awx1624	awx1625	awx1626	awx1627	awx1628	awx1629	awx1630	awx1631	awx1672	awx1673
CG1072-A	VCG1072-A	VCG1072-A	VCG1072-A	VCG1072-A	VCG1072-A	VCG1072-A	VCG1072-A	VCG1072-A	VCG1072-A	VCG1072-A
CH1263-A	DCH1263-A	DCH1263-A	DCH1263-A	DCH1263-A	DCH1263-A	DCH1263-A	DCH1263-A	DCH1263-A	DCH1263-A	DCH1263-A
CH1263-A	DCH1263-A	DCH1263-A	DCH1263-A	DCH1263-A	DCH1263-A	DCH1263-A	DCH1263-A	DCH1263-A	DCH1263-A	DCH1263-A
CH1263-A	DCH1263-A	DCH1263-A	DCH1263-A	DCH1263-A	DCH1263-A	DCH1263-A	DCH1263-A	DCH1263-A	DCH1263-A	DCH1263-A
M	NM	NM	NM	NM	NM	NM	NM	NM	NM	NM
M	NM	NM	NM	NM	NM	NM	NM	NM	NM	NM
CH1263-A	DCH1263-A	DCH1263-A	DCH1263-A	DCH1263-A	DCH1263-A	DCH1263-A	DCH1263-A	DCH1263-A	DCH1263-A	DCH1263-A
CH1263-A	DCH1263-A	DCH1263-A	DCH1263-A	DCH1263-A	DCH1263-A	DCH1263-A	DCH1263-A	DCH1263-A	DCH1263-A	DCH1263-A
M	NM	NM	NM	NM	NM	NM	NM	NM	NM	NM
CH1263-A	DCH1263-A	DCH1263-A	DCH1263-A	DCH1263-A	DCH1263-A	DCH1263-A	DCH1263-A	DCH1263-A	DCH1263-A	DCH1263-A
M	NM	NM	NM	NM	NM	NM	NM	NM	NM	NM
30p/50	330p/50	330p/50	330p/50	330p/50	330p/50	330p/50	330p/50	330p/50	330p/50	330p/50
000p/50	470p/50	470p/50	1000p/50	470p/50	470p/50	1000p/50	470p/50	470p/50	470p/50	470p/50
.01u/50	0.01u/50	0.01u/50	0.01u/50	0.01u/50	0.01u/50	0.01u/50	0.01u/50	0.01u/50	0.01u/50	0.01u/50
.2	2.2	2.2	2.2	2.2	2.2	2.2	2.2	2.2	2.2	2.2
.2	2.2	2.2	2.2	2.2	2.2	2.2	2.2	2.2	2.2	2.2
.2	2.2	2.2	2.2	2.2	2.2	2.2	2.2	2.2	2.2	2.2
M	NM	NM	2.2	2.2	2.2	2.2	2.2	2.2	NM	NM
0	10	10	10	10	10	10	10	10	10	10
.2	2.2	2.2	2.2	2.2	2.2	2.2	2.2	2.2	2.2	2.2
0	0	0	0	0	0	0	0	0	0	0
0	0	0	0	0	0	0	0	0	0	0
0	10	10	10	10	10	10	10	10	10	10
M	1M	1M	1M	1M	1M	1M	1M	1M	1M	1M
70	470	470	470	470	470	470	470	470	470	470
.2	2.2	2.2	2.2	2.2	2.2	2.2	2.2	2.2	2.2	2.2
.2	2.2	2.2	2.2	2.2	2.2	2.2	2.2	2.2	2.2	2.2
0	0	0	0	0	0	0	0	0	0	0
0	0	0	0	0	0	0	0	0	0	0
0	0	0	0	0	0	0	0	0	0	0
0	0	0	0	0	0	0	0	0	0	0
0	0	0	0	0	0	0	0	0	0	0
0	0	0	0	0	0	0	0	0	0	0
0	0	0	0	0	0	0	0	0	0	0
0	0	0	0	0	0	0	0	0	0	0
0	0	0	0	0	0	0	0	0	0	0
0	0	0	0	0	0	0	0	0	0	0
0	0	0	0	0	0	0	0	0	0	0
0	0	0	0	0	0	0	0	0	0	0

B

C

D

awx1623	awx1624	awx1625	awx1626	awx1627	awx1628	awx1629	awx1630	awx1631	awx1672	awx1673
0	0	0	75	75	75	75	75	75	0	0
0	0	0	75	75	75	75	75	75	0	0
0	0	0	75	75	75	75	75	75	0	0
M	NM	NM	68	68	68	68	NM	NM	NM	NM
M	NM	NM	3.9	3.9	3.9	3.9	NM	NM	NM	NM
M	NM	NM	68	68	68	68	NM	NM	NM	NM
M	NM	NM	68	68	68	68	NM	NM	NM	NM
M	NM	NM	3.9	3.9	3.9	3.9	NM	NM	NM	NM
M	NM	NM	68	68	68	68	NM	NM	NM	NM
M	NM	NM	3.9	3.9	3.9	3.9	NM	NM	NM	NM
KB7224-A	AKB7224-A	AKB7224-A	AKB7225-A	AKB7225-A	AKB7225-A	AKB7224-A	AKB7224-A	AKB7224-A	AKB7224-A	AKB7224-A
M	NM	NM	AKB7228-A	AKB7228-A	AKB7228-A	AKB7227-A	AKB7227-A	AKB7227-A	NM	NM
KB7227-A	AKB7227-A	AKB7227-A	AKB7228-A	AKB7228-A	AKB7228-A	AKB7227-A	AKB7227-A	AKB7227-A	AKB7227-A	AKB7227-A
M	NM	NM	AKB7228-A	AKB7228-A	AKB7228-A	AKB7227-A	NM	NM	NM	NM

E

awx1623	awx1624	awx1625	awx1626	awx1627	awx1628	awx1629	awx1630	awx1631	awx1672	awx1673
FO4PG-S10	PF04PG-S10	PF04PG-S10	ADX7746-A	ADX7746-A	ADX7746-A	ADX7746-A	ADX7746-A	ADX7746-A	PF04PG-S10	PF04PG-S10
AN217U	DAN217U	DAN217U	DAN217U	DAN217U	DAN217U	DAN217U	DAN217U	DAN217U	DAN217U	DAN217U
Z2J039M0	D2J039M0	D2J039M0	D2J039M0	D2J039M0	D2J039M0	D2J039M0	D2J039M0	D2J039M0	D2J039M0	D2J039M0
Z2J039M0	D2J039M0	D2J039M0	D2J039M0	D2J039M0	D2J039M0	D2J039M0	D2J039M0	D2J039M0	D2J039M0	D2J039M0
SA1576A (QRS)	2SA1576A (QRS)	2SA1576A (QRS)	2SA1576A (QRS)	2SA1576A (QRS)	2SA1576A (QRS)	2SA1576A (QRS)	2SA1576A (QRS)	2SA1576A (QRS)	2SA1576A (QRS)	2SA1576A (QRS)
SC4081 (QRS)	2SC4081 (QRS)	2SC4081 (QRS)	2SC4081 (QRS)	2SC4081 (QRS)	2SC4081 (QRS)	2SC4081 (QRS)	2SC4081 (QRS)	2SC4081 (QRS)	2SC4081 (QRS)	2SC4081 (QRS)
TC114EUA	DTC114EUA	DTC114EUA	DTC114EUA	DTC114EUA	DTC114EUA	DTC114EUA	DTC114EUA	DTC114EUA	DTC114EUA	DTC114EUA
SC4081 (QRS)	2SC4081 (QRS)	2SC4081 (QRS)	2SC4081 (QRS)	2SC4081 (QRS)	2SC4081 (QRS)	2SC4081 (QRS)	2SC4081 (QRS)	2SC4081 (QRS)	2SC4081 (QRS)	2SC4081 (QRS)
SC4081 (QRS)	2SC4081 (QRS)	2SC4081 (QRS)	2SC4081 (QRS)	2SC4081 (QRS)	2SC4081 (QRS)	2SC4081 (QRS)	2SC4081 (QRS)	2SC4081 (QRS)	2SC4081 (QRS)	2SC4081 (QRS)
SA1576A (QRS)	2SA1576A (QRS)	2SA1576A (QRS)	2SA1576A (QRS)	2SA1576A (QRS)	2SA1576A (QRS)	2SA1576A (QRS)	2SA1576A (QRS)	2SA1576A (QRS)	2SA1576A (QRS)	2SA1576A (QRS)
TC114EUA	DTC114EUA	DTC114EUA	DTC114EUA	DTC114EUA	DTC114EUA	DTC114EUA	DTC114EUA	DTC114EUA	DTC114EUA	DTC114EUA

F

awx1623	awx1624	awx1625	awx1626	awx1627	awx1628	awx1629	awx1630	awx1631	awx1672	awx1673
00p/50	100p/50	NM	100p/50	NM	NM	100p/50	NM	NM	NM	NM
7p/50	47p/50	NM	47p/50	NM	NM	47p/50	NM	NM	NM	NM
7p/50	47p/50	NM	47p/50	NM	NM	47p/50	NM	NM	NM	NM
00	100	470	470	470	470	100	470	470	470	470
00	100	470	100	470	470	100	470	470	470	470
30	330	470	330	470	470	330	470	470	470	470

# 10.24 COMPOSITE ASSY

A

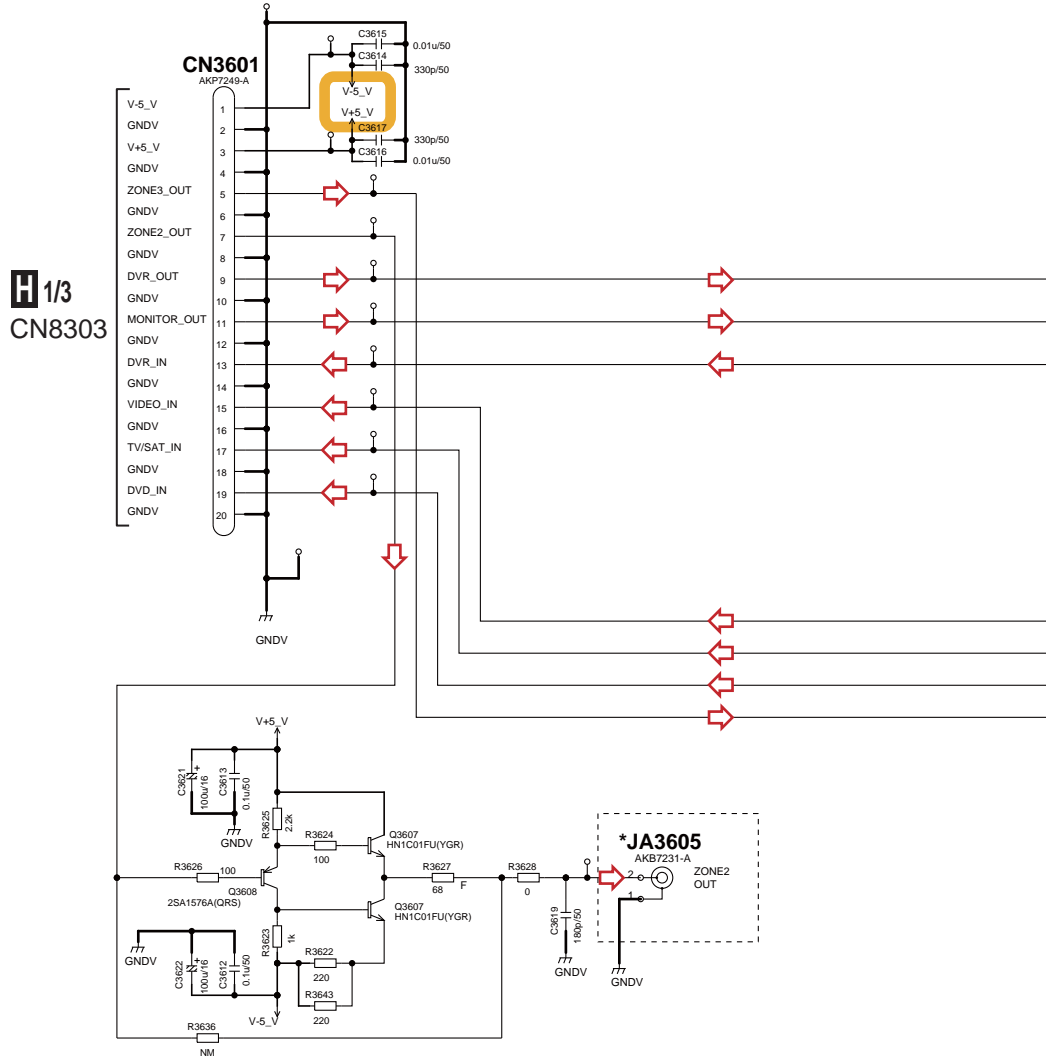
B

C

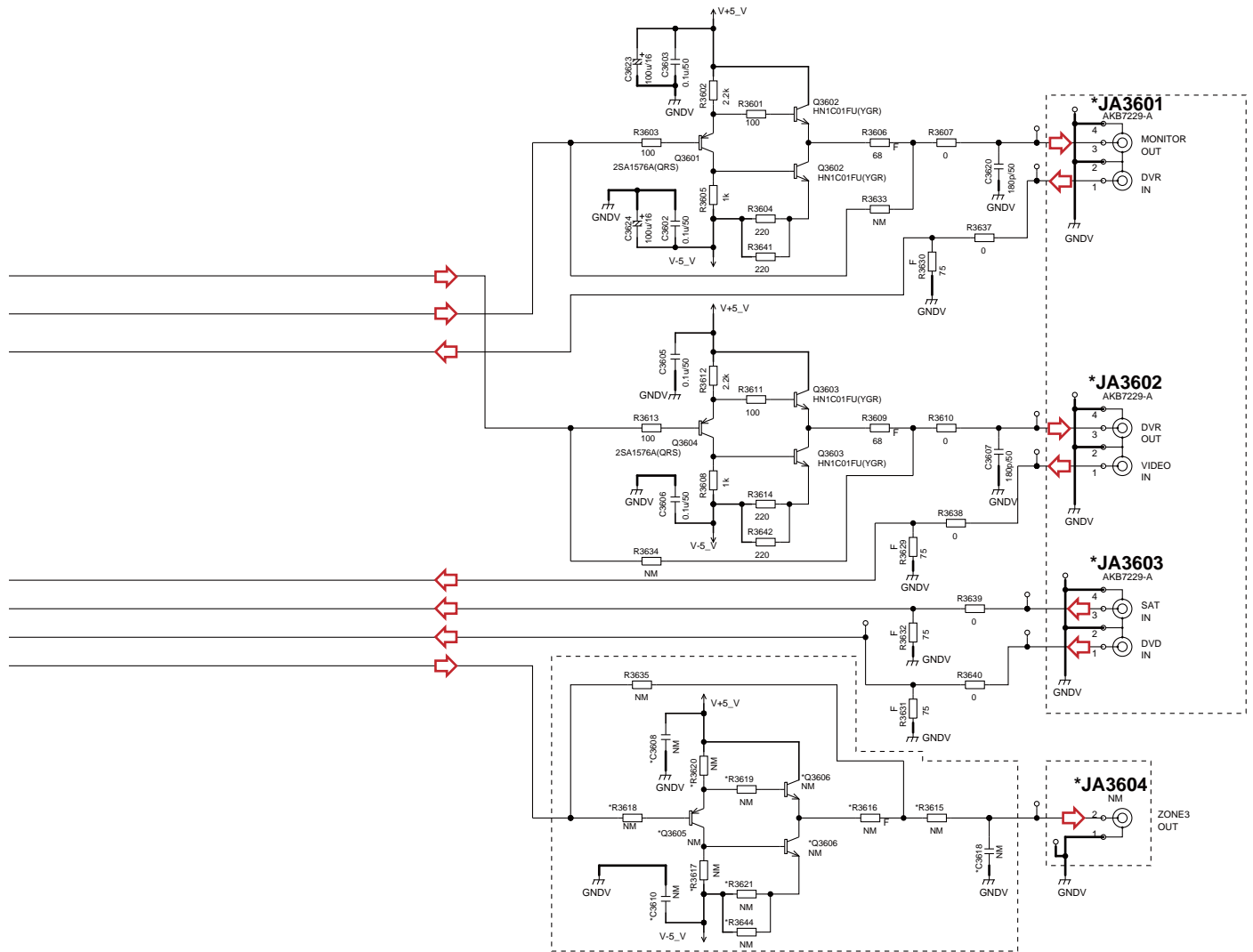
D

E

F



# COMPOSITE ASSY (AWX1357)



AWX1357	
JA3605	AKB7231-A

AWX1357	
JA3601	AKB7229-A
JA3602	AKB7229-A
JA3603	AKB7229-A

AWX1357	
JA3604	NM

AWX1357	
C3608	NM
C3610	NM
C3618	NM
R3615	NM
R3616	NM
R3617	NM
R3618	NM
R3619	NM
R3620	NM
R3621	NM
R3644	NM
Q3605	NM
Q3606	NM

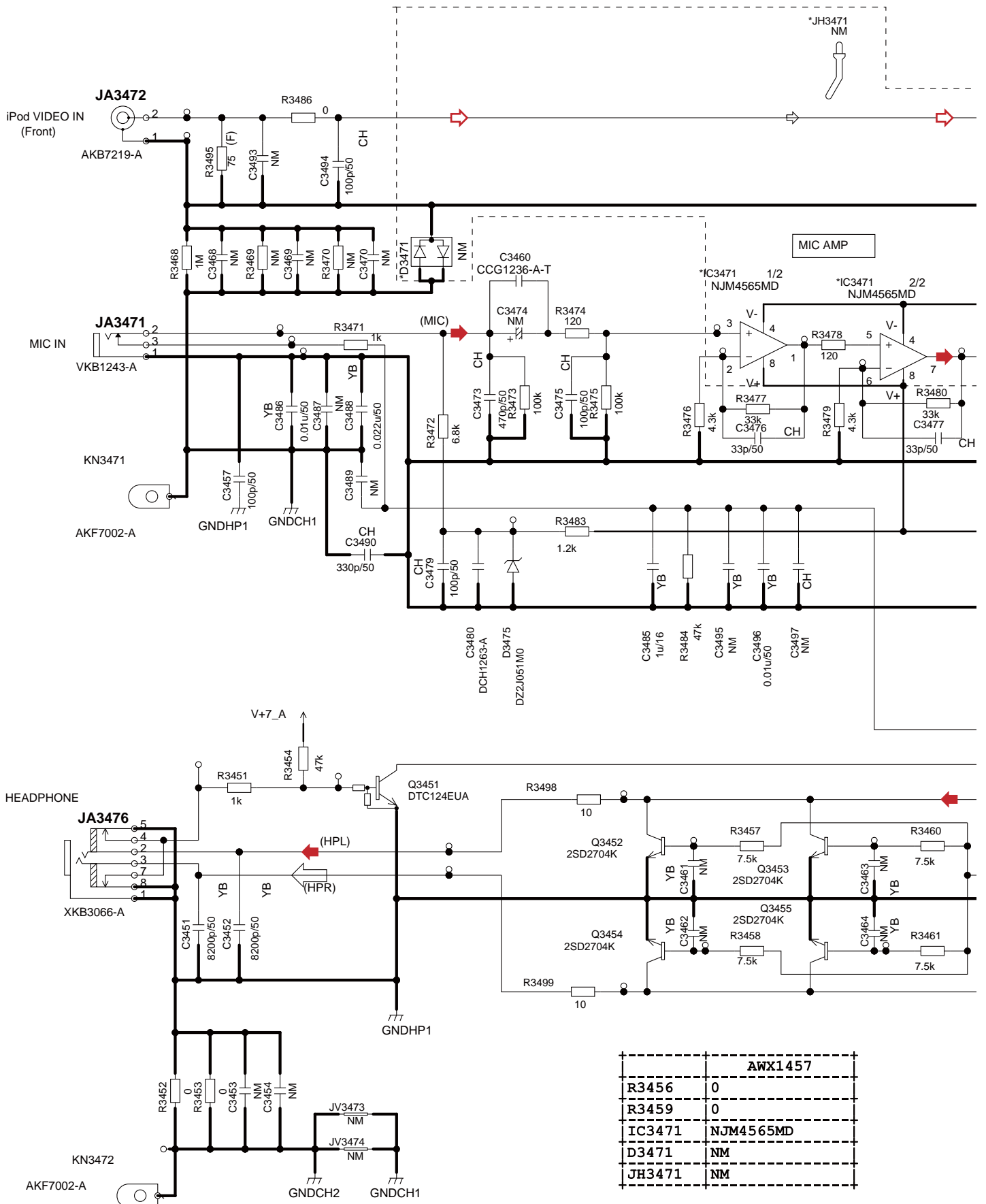
Video Signal Route

NOTE  
 1. RESISTORS  
 Unit: k Ω, M-M Ω or Ω unless otherwise noted.  
 Rated Power: 1/10w unless otherwise noted.  
 Tolerance: (J)5% unless otherwise noted.  
 2. CAPACITORS  
 Unit: p-pF or u-uF unless otherwise noted.  
 Ratings: Capacity(F)/Voltage(V) unless otherwise noted.  
 CH : CCSRCH  
 NO MARKED : CKSR YB  
 3. NM: No Mount

# 10.25 MIC HP ASSY

1 2 3 4

A  
B  
C  
D  
E  
F



AWX1457	
R3456	0
R3459	0
IC3471	NJM4565MD
D3471	NM
JH3471	NM



1 2 3 4

# J MIC HP ASSY (AWX1457)

A

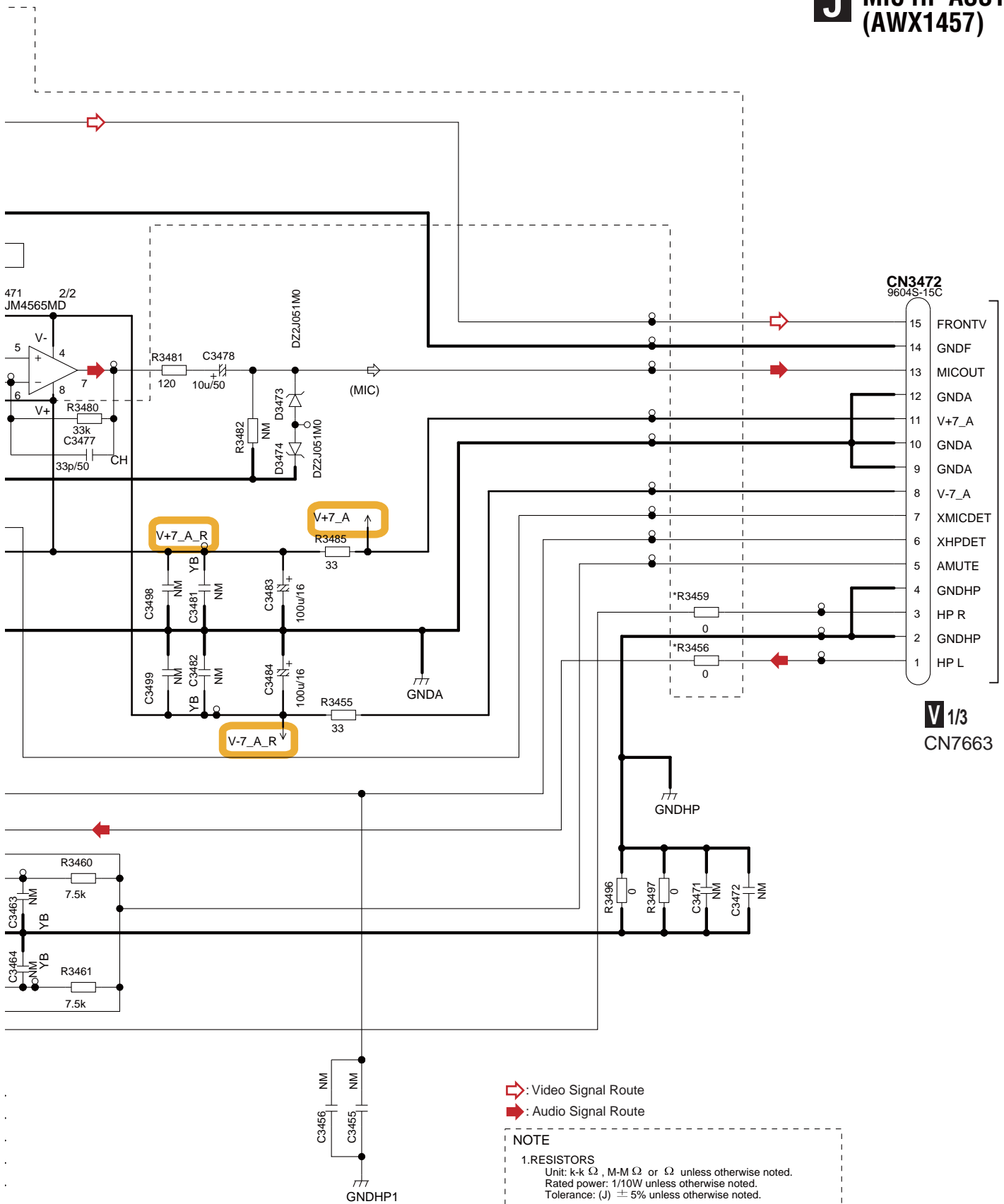
B

C

D

E

F



**CN3472**  
9604S-15C

15	FRONTV
14	GNDF
13	MICOUT
12	GND A
11	V+7_A
10	GND A
9	GND A
8	V-7_A
7	XMICDET
6	XHPDET
5	AMUTE
4	GNDHP
3	HP R
2	GNDHP
1	HP L

**V 1/3**  
CN7663

↗: Video Signal Route  
 ↘: Audio Signal Route

**NOTE**

1.RESISTORS  
 Unit: k-k Ω , M-M Ω or Ω unless otherwise noted.  
 Rated power: 1/10W unless otherwise noted.  
 Tolerance: (J) ± 5% unless otherwise noted.

2.CAPACITORS  
 Unit: p-pF, or μ F unless otherwise noted.  
 Ratings: Capacity(μ F)/Voltage(V) unless otherwise noted.

# 10.26 DISPLAY ASSY (1/2)

1 2 3 4

A

B

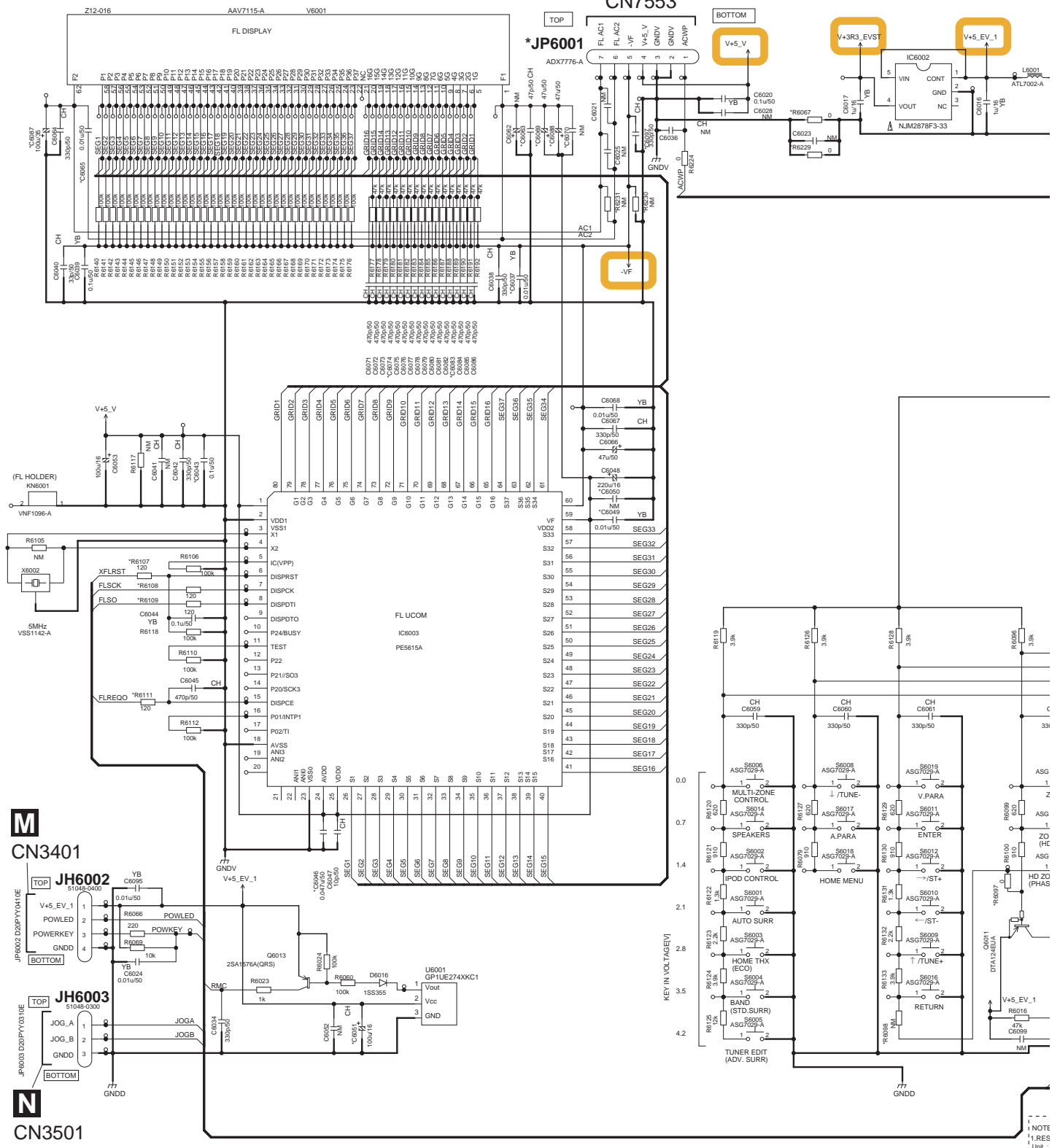
C

D

E

F

V 2/3  
CN7553



The  $\Delta$  mark found on some component parts should be replaced with same parts (safety regulation authorized) of identical designation.

- NOTE
- 1.RES
- Unit :
- Rated
- Tolera
- 2.CAF
- Unit :
- Rating
- YB :C
- 3.NM

M  
CN3401

JH6002  
51048-0400

JH6003  
51048-0300

CN3501

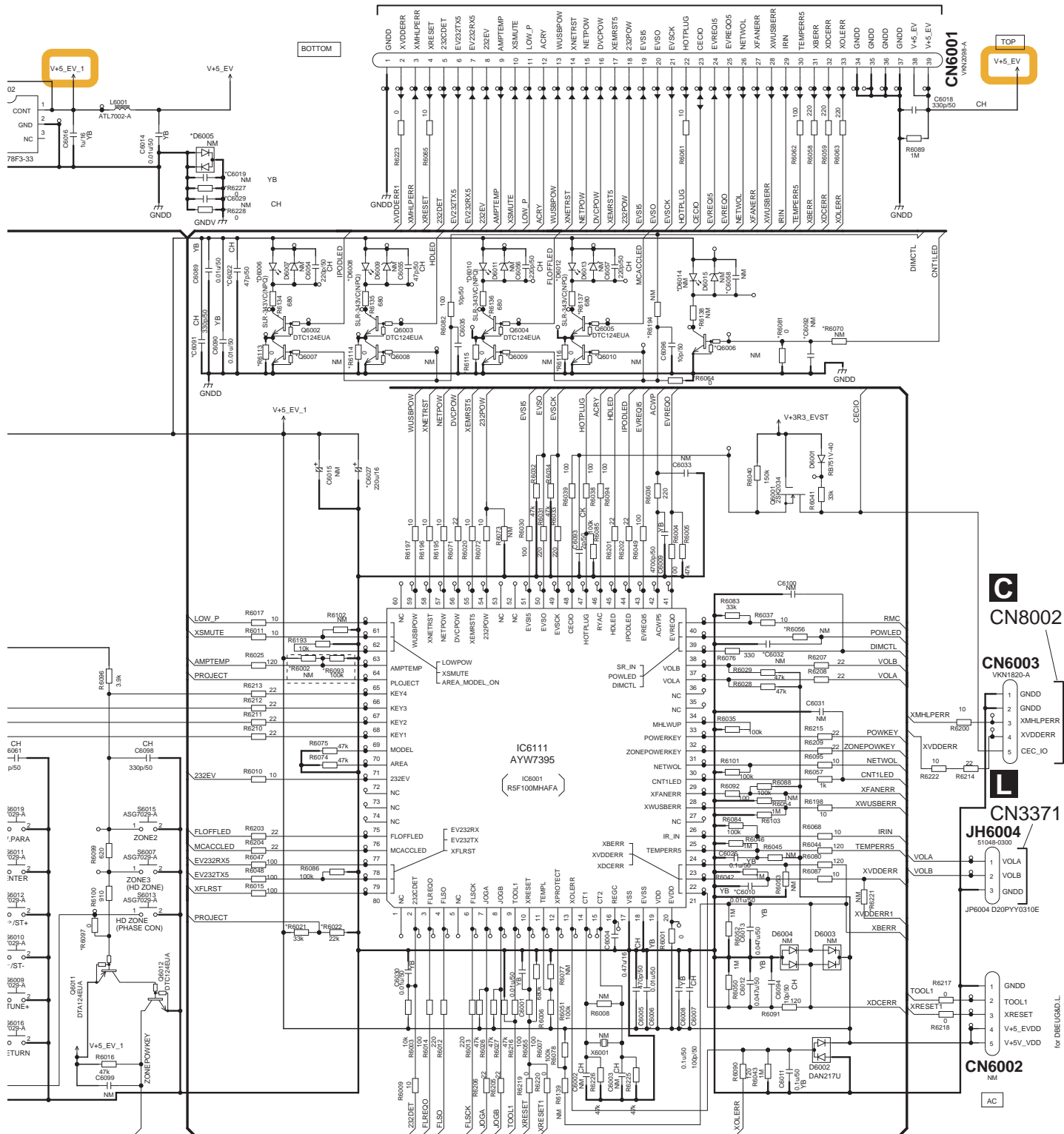
K 1/2

1 2 3 4



# K1/2 DISPLAY ASSY(1/2) (SC-72 : AWX1454) (SC-1328-K, SC-1323-K : AWX1506)

## V3/3 CN7903



NOTE  
 1. RESISTORS  
 Unit :k Ω, M-M Ω or Ω unless otherwise noted.  
 Rated power: 1/10W unless otherwise noted.  
 Tolerance : (J) ± 5% unless otherwise noted.  
 2. CAPACITORS  
 Unit : μF or pF unless otherwise noted.  
 Ratings : Capacity (μ F)/Voltage(V) unless otherwise noted.  
 YB : CKSRYB CH : CCSRCH CK : CCSRCK AT : CEAT JQ : CEJQ  
 3. NM : No mount

# 10.27 DISPLAY ASSY (2/2)

1 2 3 4

	AWX1391	AWX1619	AWX1465	AWX1505	AWX1613	AWX1454	AWX1506	AWX1455	A
C6006	0.1u/50	0.01u/50	0.1u/50	0.1u/50	0.01u/50	0.1u/50	0.1u/50	0.1u/50	0.1u/50
C6008	0.01u/50	0.1u/50	0.01u/50	0.01u/50	0.1u/50	0.01u/50	0.01u/50	0.01u/50	0.01u/50
C6010	0.1u/50	0.01u/50	0.1u/50	0.1u/50	0.01u/50	0.1u/50	0.1u/50	0.1u/50	0.1u/50
C6022	0.1u/50	47p/50	0.1u/50	0.1u/50	47p/50	0.1u/50	0.1u/50	0.1u/50	0.1u/50
C6027	ACH7268-A	220u/16	220u/16	220u/16	220u/16	220u/16	220u/16	220u/16	220u/16
C6032	10p/50	10p/50	10p/50	NM	10p/50	10p/50	NM	10p/50	NM
C6058	47p/50	47p/50	47p/50	NM	47p/50	47p/50	NM	47p/50	NM
C6091	0.01u/50	330p/50	0.01u/50	0.01u/50	330p/50	0.01u/50	0.01u/50	0.01u/50	0.01u/50
C6092	10p/50	10p/50	10p/50	NM	10p/50	10p/50	NM	10p/50	NM
R6002	NM	NM	NM	NM	NM	NM	NM	100k	100k
R6021	33k	33k	33k	33k	33k	33k	33k	33k	33k
R6022	NM	NM	NM	NM	NM	22k	22k	22k	22k
R6056	1k	1k	1k	NM	1k	1k	NM	1k	NM
R6064	NM	NM	NM	0	NM	NM	0	NM	0
R6070	100	100	100	NM	100	100	NM	100	NM
R6081	NM	NM	NM	0	NM	NM	0	NM	0
R6093	100k	100k	100k	100k	100k	100k	100k	NM	NM
R6097	0	0	0	0	0	0	0	NM	NM
R6098	NM	NM	NM	NM	NM	NM	NM	12k	12k
R6113	NM	NM	NM	0	NM	NM	0	NM	0
R6114	NM	NM	NM	0	NM	NM	0	NM	0
R6115	NM	NM	NM	0	NM	NM	0	NM	0
R6116	NM	NM	NM	0	NM	NM	0	NM	0
R6134	150	150	150	680	150	150	680	150	680
R6135	150	150	150	680	150	150	680	150	680
R6136	150	150	150	680	150	150	680	150	680
R6137	150	150	150	680	150	150	680	150	680
R6138	150	150	150	NM	150	150	NM	150	NM
R6139	100	100	100	100	100	100	NM	100	NM
R6221	NM	NM	10	10	10	NM	NM	NM	NM
D6006	SLR343BC4T (JKLM)	SLR343BC4T (JKLM)	SLR343BC4T (JKLM)	SLR-343VC (NPQ)	SLR343BC4T (JKLM)	SLR343BC4T (JKLM)	SLR-343VC (NPQ)	SLR343BC4T (JKLM)	SLR-343VC (NPQ)
D6008	SLR343BC4T (JKLM)	SLR343BC4T (JKLM)	SLR343BC4T (JKLM)	SLR-343VC (NPQ)	SLR343BC4T (JKLM)	SLR343BC4T (JKLM)	SLR-343VC (NPQ)	SLR343BC4T (JKLM)	SLR-343VC (NPQ)
D6010	SLR343BC4T (JKLM)	SLR343BC4T (JKLM)	SLR343BC4T (JKLM)	SLR-343VC (NPQ)	SLR343BC4T (JKLM)	SLR343BC4T (JKLM)	SLR-343VC (NPQ)	SLR343BC4T (JKLM)	SLR-343VC (NPQ)
D6012	SLR343BC4T (JKLM)	SLR343BC4T (JKLM)	SLR343BC4T (JKLM)	SLR-343VC (NPQ)	SLR343BC4T (JKLM)	SLR343BC4T (JKLM)	SLR-343VC (NPQ)	SLR343BC4T (JKLM)	SLR-343VC (NPQ)
D6014	SLR343BC4T (JKLM)	SLR343BC4T (JKLM)	SLR343BC4T (JKLM)	NM	SLR343BC4T (JKLM)	SLR343BC4T (JKLM)	NM	SLR343BC4T (JKLM)	NM
Q6006	DTC124EUA	DTC124EUA	DTC124EUA	NM	DTC124EUA	DTC124EUA	NM	DTC124EUA	NM
Q6007	DTC124EUA	DTC124EUA	DTC124EUA	NM	DTC124EUA	DTC124EUA	NM	DTC124EUA	NM
Q6008	DTC124EUA	DTC124EUA	DTC124EUA	NM	DTC124EUA	DTC124EUA	NM	DTC124EUA	NM
Q6009	DTC124EUA	DTC124EUA	DTC124EUA	NM	DTC124EUA	DTC124EUA	NM	DTC124EUA	NM
Q6010	DTC124EUA	DTC124EUA	DTC124EUA	NM	DTC124EUA	DTC124EUA	NM	DTC124EUA	NM
	AWX1391	AWX1619	AWX1465	AWX1505	AWX1613	AWX1454	AWX1506	AWX1455	A
C6019	0.1u/50	NM	0.1u/50	0.1u/50	NM	0.1u/50	0.1u/50	0.1u/50	0.1u/50
C6029	100p/50	NM	100p/50	100p/50	NM	100p/50	100p/50	100p/50	100p/50
C6037	0.01u/50	0.01u/50	0.1u/50	0.1u/50	0.01u/50	0.1u/50	0.1u/50	0.1u/50	0.1u/50
C6043	0.1u/50	0.01u/50	0.1u/50	0.1u/50	0.1u/50	0.1u/50	0.1u/50	0.1u/50	0.1u/50
C6046	0.047u/50	0.047u/50	NM	NM	0.047u/50	NM	NM	NM	NM
C6049	0.01u/50	0.01u/50	1u/16	1u/16	0.01u/50	1u/16	1u/16	1u/16	1u/16
C6050	NM	220p/50	NM	NM	NM	NM	NM	NM	NM
C6051	ACH7272-A	100u/16	100u/16	100u/16	100u/16	100u/16	100u/16	100u/16	100u/16
C6063	470p/50	47p/50	470p/50	470p/50	47p/50	470p/50	470p/50	470p/50	470p/50
C6065	0.1u/50	0.01u/50	0.1u/50	0.1u/50	0.01u/50	0.1u/50	0.1u/50	0.1u/50	0.1u/50
C6069	47u/50	NM	47u/50	47u/50	47u/50	47u/50	47u/50	47u/50	47u/50
C6070	NM	470p/50	NM	NM	NM	NM	NM	NM	NM
C6074	470p/50	220p/50	470p/50	470p/50	470p/50	470p/50	470p/50	470p/50	470p/50
C6083	470p/50	330p/50	470p/50	470p/50	470p/50	470p/50	470p/50	470p/50	470p/50
C6087	100u/35	NM	100u/35	100u/35	100u/35	100u/35	100u/35	100u/35	100u/35
C6088	47u/50	NM	47u/50	47u/50	47u/50	47u/50	47u/50	47u/50	47u/50
C6097	330p/50	NM	330p/50	330p/50	330p/50	330p/50	330p/50	330p/50	330p/50
R6067	NM	0	NM	NM	0	NM	NM	NM	NM
R6107	100	120	100	100	120	100	100	100	100
R6108	100	120	100	100	120	100	100	100	100
R6109	100	120	100	100	120	100	100	100	100
R6111	100	120	100	100	120	100	100	100	100
R6227	NM	0	NM	NM	0	NM	NM	NM	NM
R6228	NM	0	NM	NM	0	NM	NM	NM	NM
R6229	NM	0	NM	NM	0	NM	NM	NM	NM
R6230	NM	1M	NM	NM	NM	NM	NM	NM	NM
R6231	NM	1M	NM	NM	NM	NM	NM	NM	NM
D6005	DAN217U	NM	DAN217U	DAN217U	NM	DAN217U	DAN217U	DAN217U	DAN217U
JP6001	ADX7753-A	ADX7753-A	ADX7776-A	ADX7776-A	ADX7776-A	ADX7776-A	ADX7776-A	ADX7776-A	ADX7776-A

A  
B  
C  
D  
E  
F

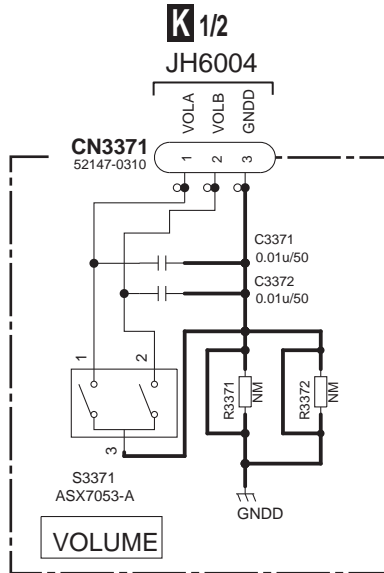
1 2 3 4

# K2/2 DISPLAY ASSY(2/2) (SC-72 : AWX1454) (SC-1328-K, SC-1323-K : AWX1506)

AWX1455	AWX1507	AWX1671	AWX1680	AWX1682	
1u/50	0.1u/50	0.01u/50	0.01u/50	0.01u/50	
01u/50	0.01u/50	0.1u/50	0.1u/50	0.1u/50	
1u/50	0.1u/50	0.01u/50	0.01u/50	0.01u/50	
1u/50	0.1u/50	47p/50	47p/50	47p/50	
0u/16	220u/16	220u/16	220u/16	220u/16	
p/50	NM	NM	NM	10p/50	
p/50	NM	NM	NM	47p/50	
01u/50	0.01u/50	330p/50	330p/50	330p/50	
p/50	NM	NM	NM	10p/50	
0k	100k	NM	NM	NM	
k	33k	33k	33k	33k	
k	22k	22k	22k	NM	
	NM	NM	NM	1k	
	0	0	0	NM	
0	NM	NM	NM	100	
	0	0	0	NM	
	NM	100k	100k	100k	
	NM	0	0	0	
k	12k	NM	NM	NM	
	0	0	0	NM	
	0	0	0	NM	
	0	0	0	NM	
	0	0	0	NM	
0	680	680	680	150	
0	680	680	680	150	
0	680	680	680	150	
0	680	680	680	150	
0	NM	NM	NM	150	
0	NM	NM	NM	100	
	NM	NM	NM	10	
R343BC4T (JKLM)	SLR-343VC (NPQ)	SLR-343VC (NPQ)	SLR-343VC (NPQ)	SLR343BC4T (JKLM)	
R343BC4T (JKLM)	SLR-343VC (NPQ)	SLR-343VC (NPQ)	SLR-343VC (NPQ)	SLR343BC4T (JKLM)	
R343BC4T (JKLM)	SLR-343VC (NPQ)	SLR-343VC (NPQ)	SLR-343VC (NPQ)	SLR343BC4T (JKLM)	
R343BC4T (JKLM)	SLR-343VC (NPQ)	SLR-343VC (NPQ)	SLR-343VC (NPQ)	SLR343BC4T (JKLM)	
R343BC4T (JKLM)	NM	NM	NM	SLR343BC4T (JKLM)	
C124EUA	NM	NM	NM	DTC124EUA	
C124EUA	NM	NM	NM	DTC124EUA	
C124EUA	NM	NM	NM	DTC124EUA	
C124EUA	NM	NM	NM	DTC124EUA	
C124EUA	NM	NM	NM	DTC124EUA	
C124EUA	NM	NM	NM	DTC124EUA	
	AWX1455	AWX1507	AWX1671	AWX1680	AWX1682
1u/50	0.1u/50	0.1u/50	NM	NM	
0p/50	100p/50	100p/50	NM	NM	
1u/50	0.1u/50	0.01u/50	0.01u/50	0.01u/50	
1u/50	0.1u/50	0.1u/50	0.1u/50	0.01u/50	
l	NM	0.047u/50	0.047u/50	0.047u/50	
/16	1u/16	0.01u/50	0.01u/50	0.01u/50	
l	NM	NM	NM	220p/50	
0u/16	100u/16	100u/16	100u/16	100u/16	
0p/50	470p/50	47p/50	47p/50	47p/50	
1u/50	0.1u/50	0.01u/50	0.01u/50	0.01u/50	
u/50	47u/50	47u/50	47u/50	NM	
l	NM	NM	NM	470p/50	
0p/50	470p/50	470p/50	470p/50	220p/50	
0p/50	470p/50	470p/50	470p/50	330p/50	
0u/35	100u/35	100u/35	100u/35	NM	
u/50	47u/50	47u/50	47u/50	NM	
0p/50	330p/50	330p/50	330p/50	NM	
l	NM	NM	0	0	
0	100	120	120	120	
0	100	120	120	120	
0	100	120	120	120	
0	100	120	120	120	
l	NM	NM	0	0	
l	NM	NM	0	0	
l	NM	NM	0	0	
l	NM	NM	NM	1M	
l	NM	NM	NM	1M	
N217U	DAN217U	DAN217U	NM	NM	
X7776-A	ADX7776-A	ADX7776-A	ADX7776-A	ADX7776-A	

# 10.28 VOL ASSY, POWER SW ASSY and ENCODER ASSY

## **L** VOL ASSY (AWX1392)

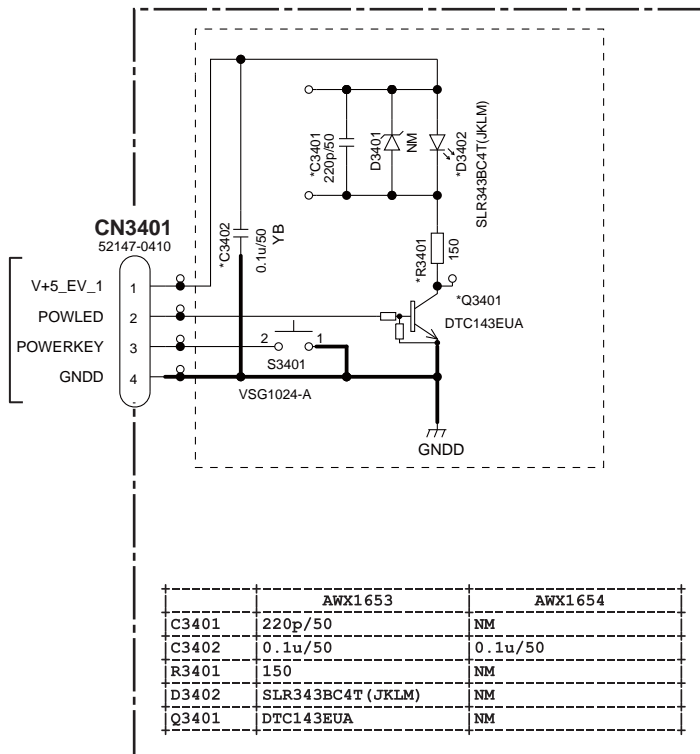


**NOTE**

1. RESISTORS  
Unit: k-k Ω , M-M Ω or Ω unless otherwise noted.  
Rated Power: 1/16w unless otherwise noted.  
Tolerance: (J)5% unless otherwise noted.
2. CAPACITORS  
Unit: p-pF or u-uF unless otherwise noted.  
Ratings: Capacity(F)/Voltage(V) unless otherwise noted.
3. NM: No Mount

## **M** POWER SW ASSY (SC-72 : AWX1653) (SC-1328-K, SC-1323-K : AWX1654)

**K 1/2**  
JH6002

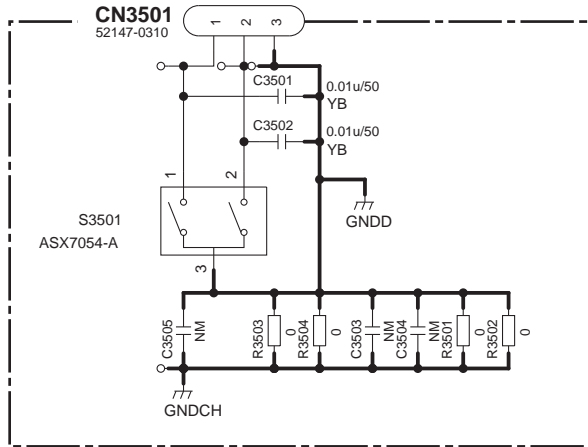


**NOTE**

1. RESISTORS  
Unit :k-k Ω , M-M Ω or Ω unless otherwise noted.  
Rated:power :1/10W unless otherwise noted.  
Tolerance : (J) ± 5% unless otherwise noted.
2. CAPACITORS  
Unit :p-pF or μ F or unless otherwise noted.  
Ratings :Capacity(F)/Voltage(V) unless otherwise noted.  
YB :CKSRYB CH :CCSRCH
3. NM :No mount

# N ENCODER ASSY (AWX1396)

**K** 1/2  
JH6003



NOTE

1.RESISTORS

Unit :k-k $\Omega$  , M-M $\Omega$  or  $\Omega$  unless otherwise noted.  
Rated:power :1/10W unless otherwise noted.  
Tolerance :(J)  $\pm$  5% unless otherwise noted.

2.CAPACITORS

Unit :p-pF or  $\mu$  F or unless otherwise noted.  
Ratings :Capacity( $\mu$  F)/Voltage(V) unless otherwise noted.  
YB :CKSRYB

3,NM :No mount

otted.

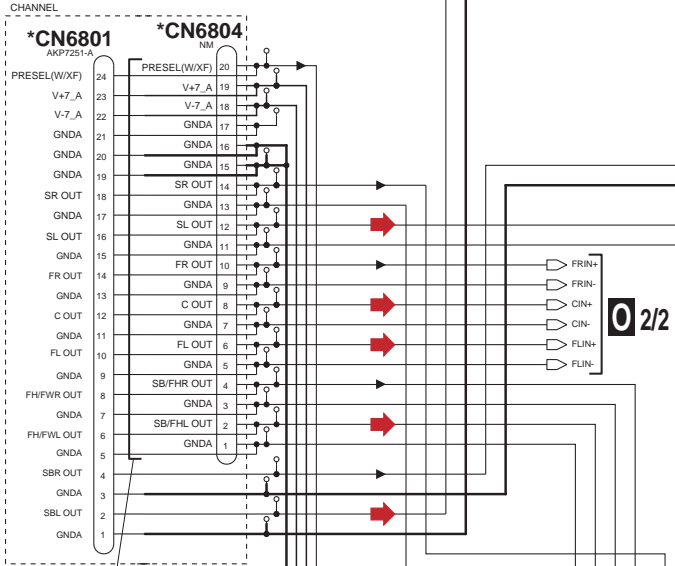
# 10.29 IR BUFFER\_S ASSY (1/2)

1 2 3 4

A

AWX1542	AWX1545	AWX1543	AWX1546	AWX1679
CN6801 AKP7251-A	NM	AKP7251-A	NM	NM
CN6804 NM	AKP7249-A	NM	AKP7249-A	AKP7249-A

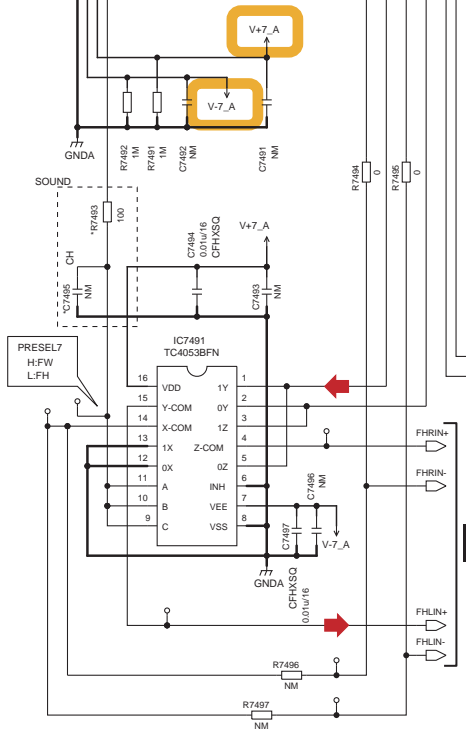
B



C

AB CN6953

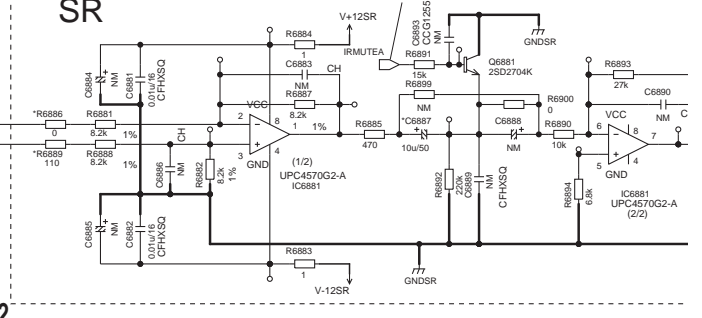
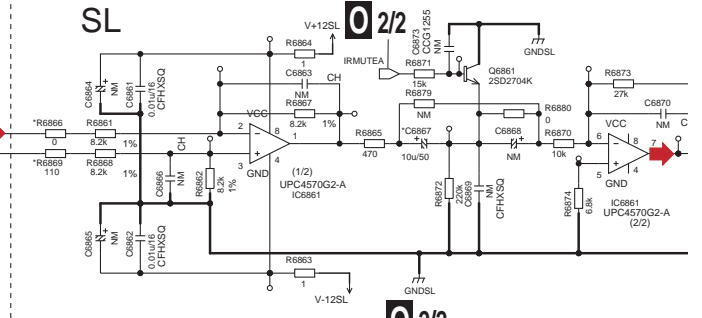
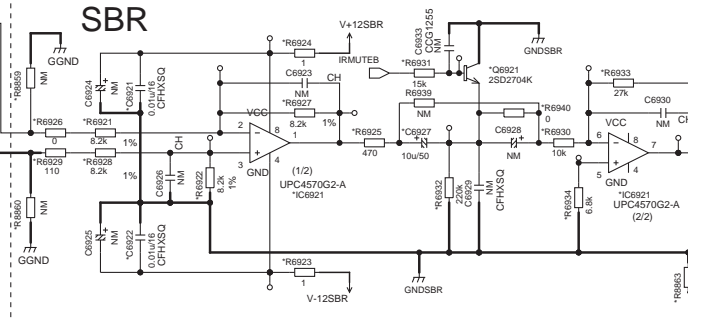
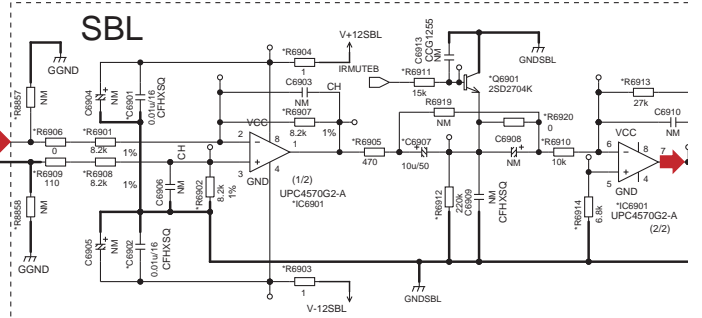
D



E

AWX1542	AWX1545	AWX1543	AWX1546	AWX1679
C7495 10p/50	10p/50	NM	10p/50	NM
R7493 10	10	100	10	100

F



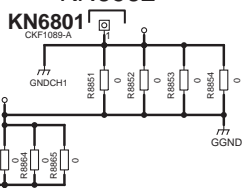
	AWX1542	AWX1545	AWX1543	AWX1546	AWX1679
C8667	22u/50	22u/50	10u/50	22u/50	10u/50
C8674	47u/25	47u/25	10u/50	47u/25	10u/50
C8687	22u/50	22u/50	10u/50	22u/50	10u/50
C8694	47u/25	47u/25	10u/50	47u/25	10u/50
R8666	0	22	0	0	0
R8669	110	100	110	110	110
R8677	12	12	10	12	10
R8686	0	22	0	0	0
R8689	110	100	110	110	110
R8697	12	12	10	12	10



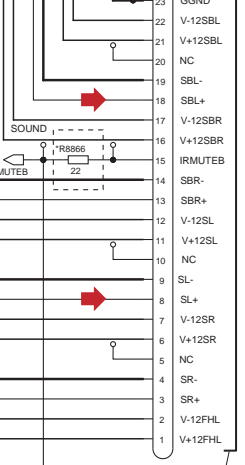
1 2 3 4

# Q1/2 IR BUFFER\_S ASSY(1/2) (AWX1545)

P  
KN6962



CN6802  
AKM173-A

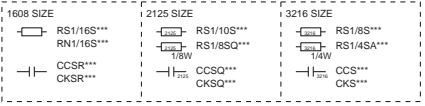


Q  
CN3801

	AWX1542	AWX1545	AWX1543	AWX1546	AWX1679
R8866	10	10	22	10	22
	AWX1542	AWX1545	AWX1543	AWX1546	AWX1679
R8856	NM	0	NM	0	0

	AWX1542	AWX1545	AWX1543	AWX1546	AWX1679
C6901	0.01u/16	NM	0.01u/16	NM	NM
C6902	0.01u/16	NM	0.01u/16	NM	NM
C6907	22u/50	NM	10u/50	NM	NM
C6911	NM	NM	NM	NM	NM
C6912	NM	NM	NM	NM	NM
C6914	47u/25	NM	10u/50	NM	NM
C6921	0.01u/16	NM	0.01u/16	NM	NM
C6922	0.01u/16	NM	0.01u/16	NM	NM
C6927	22u/50	NM	10u/50	NM	NM
C6931	NM	NM	NM	NM	NM
C6932	NM	NM	NM	NM	NM
C6934	47u/25	NM	10u/50	NM	NM
R6901	8.2k	NM	8.2k	NM	NM
R6902	8.2k	NM	8.2k	NM	NM
R6903	1	NM	1	NM	NM
R6904	1	NM	1	NM	NM
R6905	470	NM	470	NM	NM
R6906	0	NM	0	NM	NM
R6907	8.2k	NM	8.2k	NM	NM
R6908	8.2k	NM	8.2k	NM	NM
R6909	110	NM	110	NM	NM
R6910	10k	NM	10k	NM	NM
R6911	15k	NM	15k	NM	NM
R6912	220k	NM	220k	NM	NM
R6913	27k	NM	27k	NM	NM
R6914	6.8k	NM	6.8k	NM	NM
R6915	2.2M	0	2.2M	0	0
R6916	2.2M	0	2.2M	0	0
R6917	12	NM	10	NM	NM
R6920	0	NM	0	NM	NM
R6921	8.2k	NM	8.2k	NM	NM
R6922	8.2k	NM	8.2k	NM	NM
R6923	1	NM	1	NM	NM
R6924	1	NM	1	NM	NM
R6925	470	NM	470	NM	NM
R6926	0	NM	0	NM	NM
R6927	8.2k	NM	8.2k	NM	NM
R6928	8.2k	NM	8.2k	NM	NM
R6929	110	NM	110	NM	NM
R6930	10k	NM	10k	NM	NM
R6931	15k	NM	15k	NM	NM
R6932	220k	NM	220k	NM	NM
R6933	27k	NM	27k	NM	NM
R6934	6.8k	NM	6.8k	NM	NM
R6935	2.2M	0	2.2M	0	0
R6936	2.2M	0	2.2M	0	0
R6937	12	NM	10	NM	NM
R6940	0	NM	0	NM	NM
R8857	NM	0	NM	0	0
R8858	NM	0	NM	0	0
R8859	NM	0	NM	0	0
R8860	NM	0	NM	0	0
R8861	NM	0	NM	0	0
R8862	NM	0	NM	0	0
R8863	NM	0	NM	0	0
R8864	NM	0	NM	0	0
C6901	UPC4570G2-A	NM	UPC4570G2-A	NM	NM
C6921	UPC4570G2-A	NM	UPC4570G2-A	NM	NM
C6901	2SD2704F	NM	2SD2704K	NM	NM
C6921	2SD2704K	NM	2SD2704K	NM	NM

➔ : Audio Signal Route



NOTE  
 1. RESISTORS  
 Unit: k- $\Omega$ , M-M  $\Omega$  or  $\Omega$  unless otherwise noted.  
 Rated Power: 1/16W unless otherwise noted.  
 Tolerance: (J)5% unless otherwise noted.  
 2. CAPACITORS  
 Unit: p-pF or u-uF unless otherwise noted.  
 Ratings: Capacity(F)/Voltage(V) unless otherwise noted.  
 YB: CKSRVB, CH: CCSRCH  
 3. NM: No Mount

# 10.30 IR BUFFER\_S ASSY (2/2)

1

2

3

4

A

	AWX1542	AWX1545	AWX1543	AWX1546	AWX1679
C7457	22u/50	22u/50	10u/50	22u/50	10u/50
C7464	47u/25	47u/25	10u/50	47u/25	10u/50
C7477	22u/50	22u/50	10u/50	22u/50	10u/50
C7484	47u/25	47u/25	10u/50	47u/25	10u/50
R7456	0	22	0	0	0
R7459	110	100	110	110	110
R7467	12	12	10	12	10
R7476	0	22	0	0	0
R7479	110	100	110	110	110
R7487	12	12	10	12	10

B

C

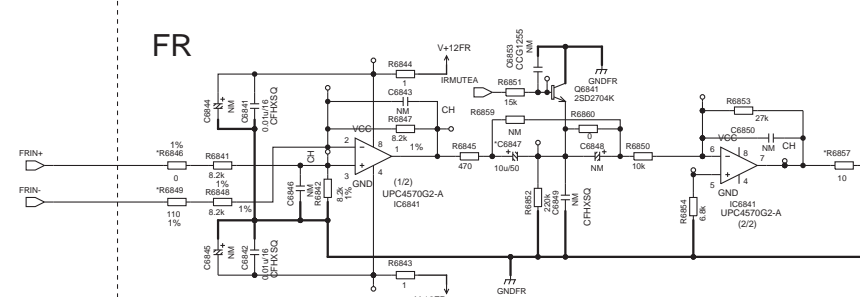
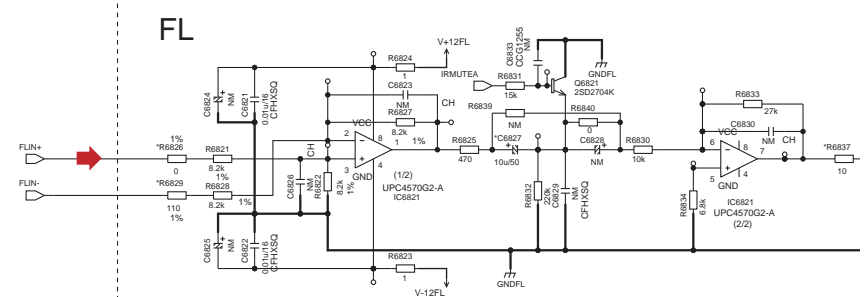
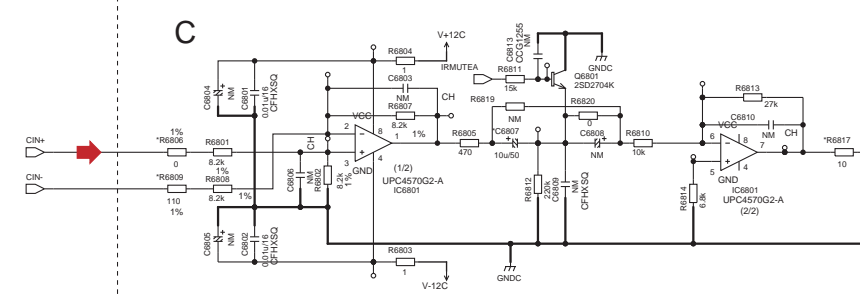
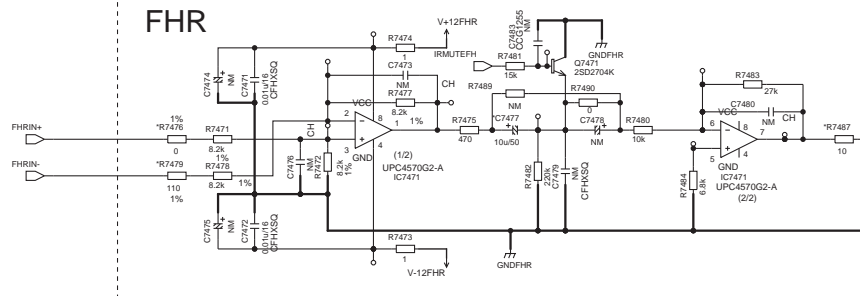
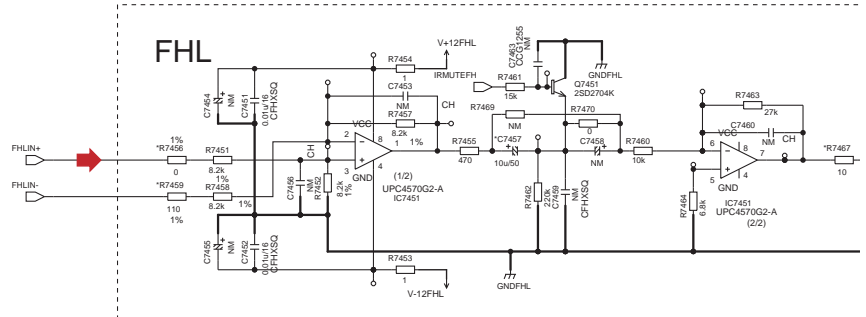
	AWX1542	AWX1545	AWX1543	AWX1546	AWX1679
C6807	22u/50	22u/50	10u/50	22u/50	10u/50
C6814	47u/25	47u/25	10u/50	47u/25	10u/50
R6806	0	22	0	0	0
R6809	110	100	110	110	110
R6817	12	12	10	12	10

D

	AWX1542	AWX1545	AWX1543	AWX1546	AWX1679
C6827	22u/50	22u/50	10u/50	22u/50	10u/50
C6834	47u/25	47u/25	10u/50	47u/25	10u/50
C6847	22u/50	22u/50	10u/50	22u/50	10u/50
R6826	0	22	0	0	0
R6829	110	100	110	110	110
R6837	12	12	10	12	10
R6846	0	22	0	0	0
R6849	110	100	110	110	110
R6857	12	12	10	12	10

E

F



0/2

0/2

1

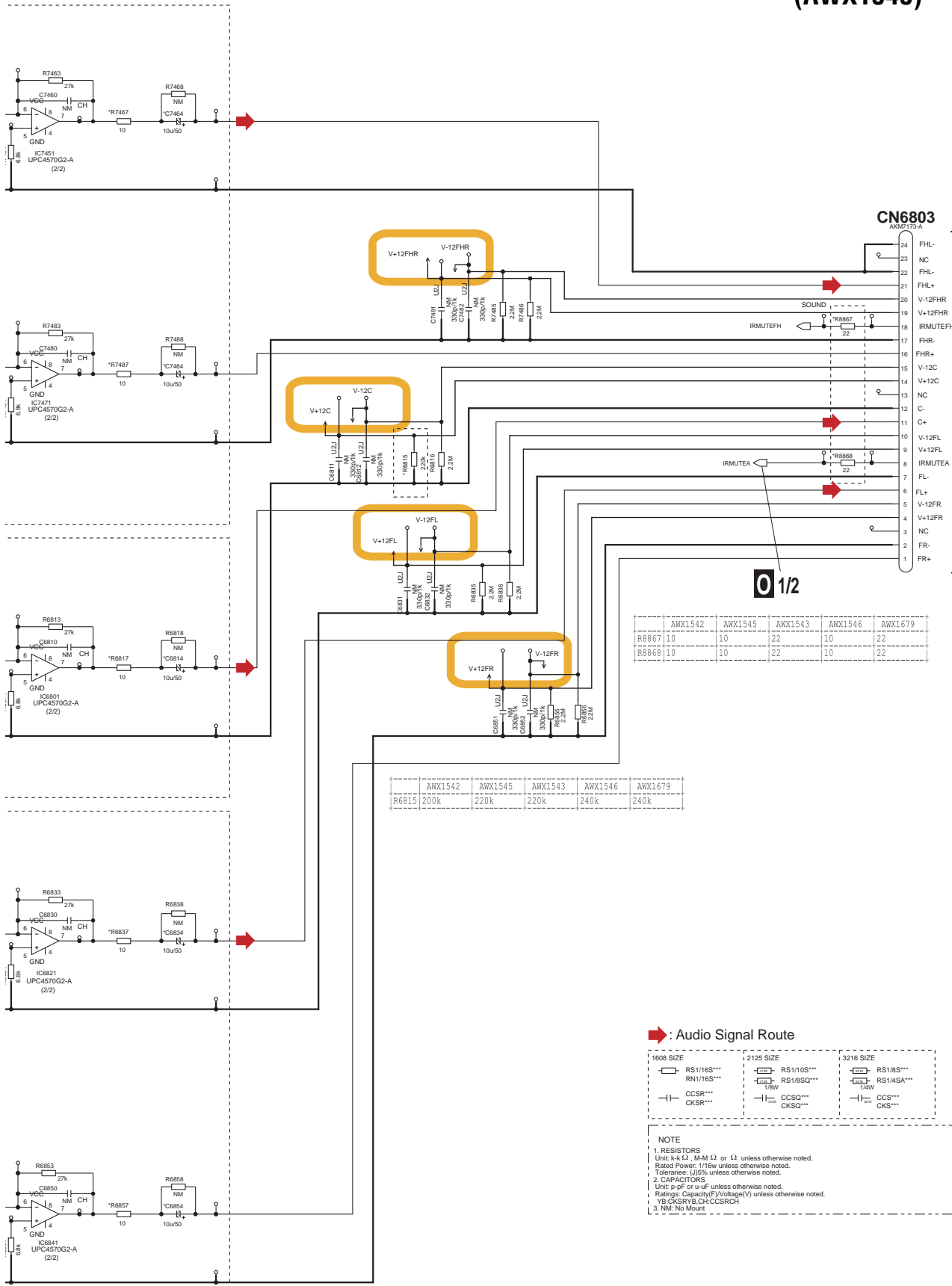
2

3

4



# Q2/2 IR BUFFER\_S ASSY(2/2) (AWX1545)



**CN6803**  
AKM175-A

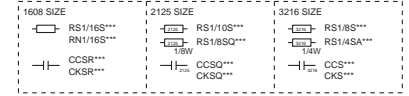
**Q**  
CN3802

	AWX1542	AWX1545	AWX1543	AWX1546	AWX1679
R8867	10	10	22	10	22
R8868	10	10	22	10	22

	AWX1542	AWX1545	AWX1543	AWX1546	AWX1679
R6815	200k	220k	220k	240k	240k

**Q** 1/2

**➔ Audio Signal Route**

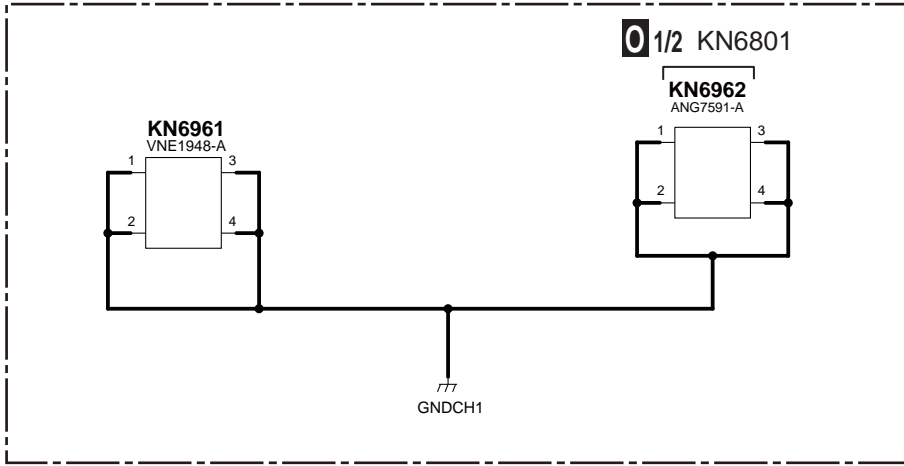


**NOTE**  
 1. RESISTORS  
 Unit: k-Ω, M-Ω or Ω unless otherwise noted.  
 Rated Power: 1/16W unless otherwise noted.  
 Tolerance: J:5% unless otherwise noted.  
 2. CAPACITORS  
 Unit: p-pF or u-uF unless otherwise noted.  
 Ratings: Capacity(F)/Voltage(V) unless otherwise noted.  
 YB: CKSR/YB, CH: CCSRCH  
 3. NM: No Mount

10.31 BUFFER GND\_S ASSY and IR INTERFACE\_S ASSY

Q

**P** BUFFER GND\_S ASSY  
(AWX1544)



0 1/2  
CN6802

0 2/2  
CN6803

➔ : Audio Signal Route

1608 SIZE	2125 SIZE	3216 SIZE
RS1/16S***	RS1/10S***	RS1/8S***
RN1/16S***	RS1/8SQ***	RS1/4SA***
CCSR***	CCSQ***	CCS***
CKSR***	CKSQ***	CKS***

NOTE

- RESISTORS  
Unit: k-k Ω, M-M Ω or Ω unless otherwise noted.  
Rated Power: 1/16w unless otherwise noted.  
Tolerance: (J)5% unless otherwise noted.
- CAPACITORS  
Unit: p-pF or u-uF unless otherwise noted.  
Ratings: Capacity(F)/Voltage(V) unless otherwise noted.  
YB:CKSRYB,CH:CCSRCH  
3. NM: No Mount

-----  
CN3820

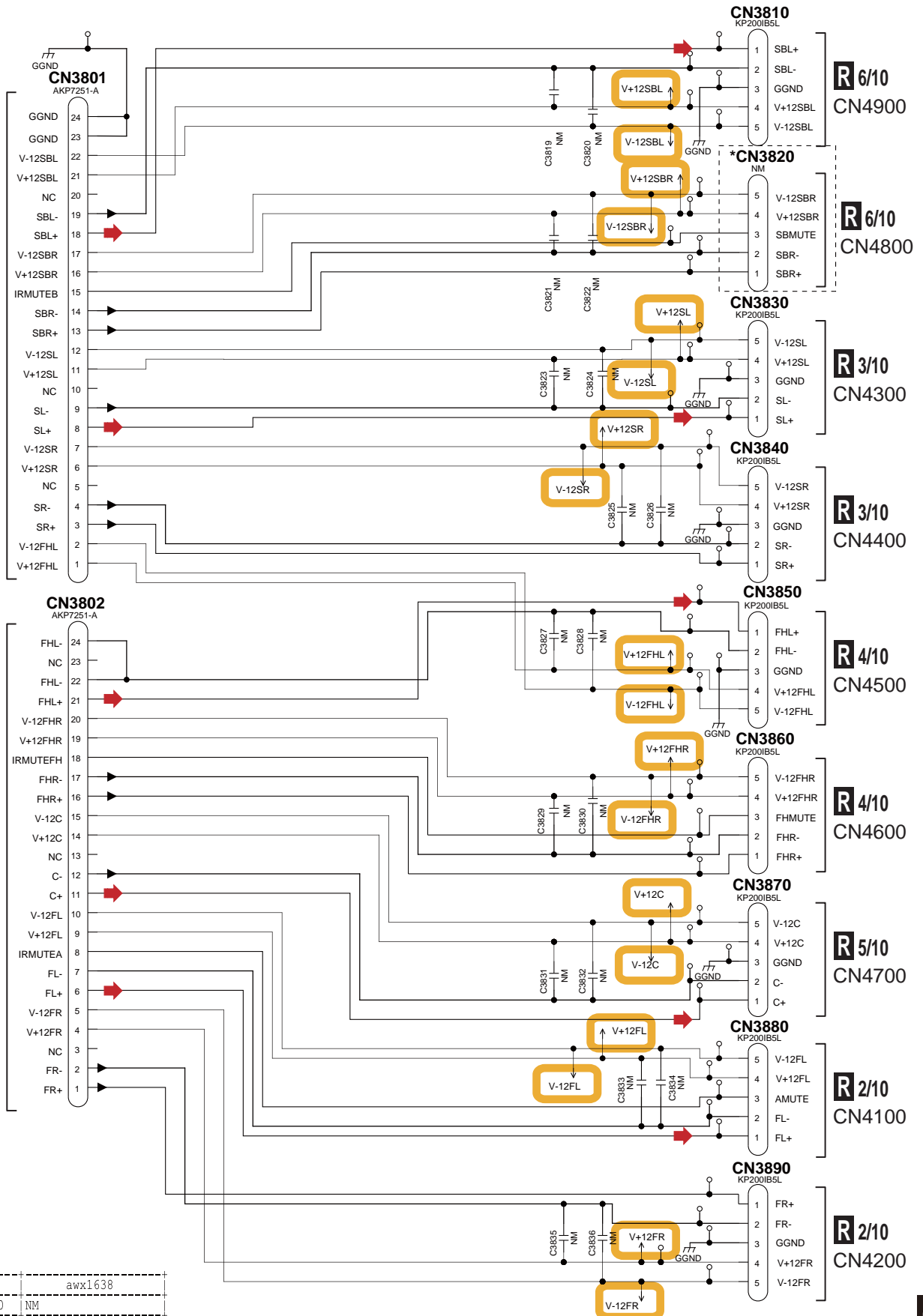
**P** **Q**

# Q IR INTERFACE\_S ASSY (AWX1638)

0 1/2  
CN6802

0 2/2  
CN6803

awx1638	
CN3820	NM

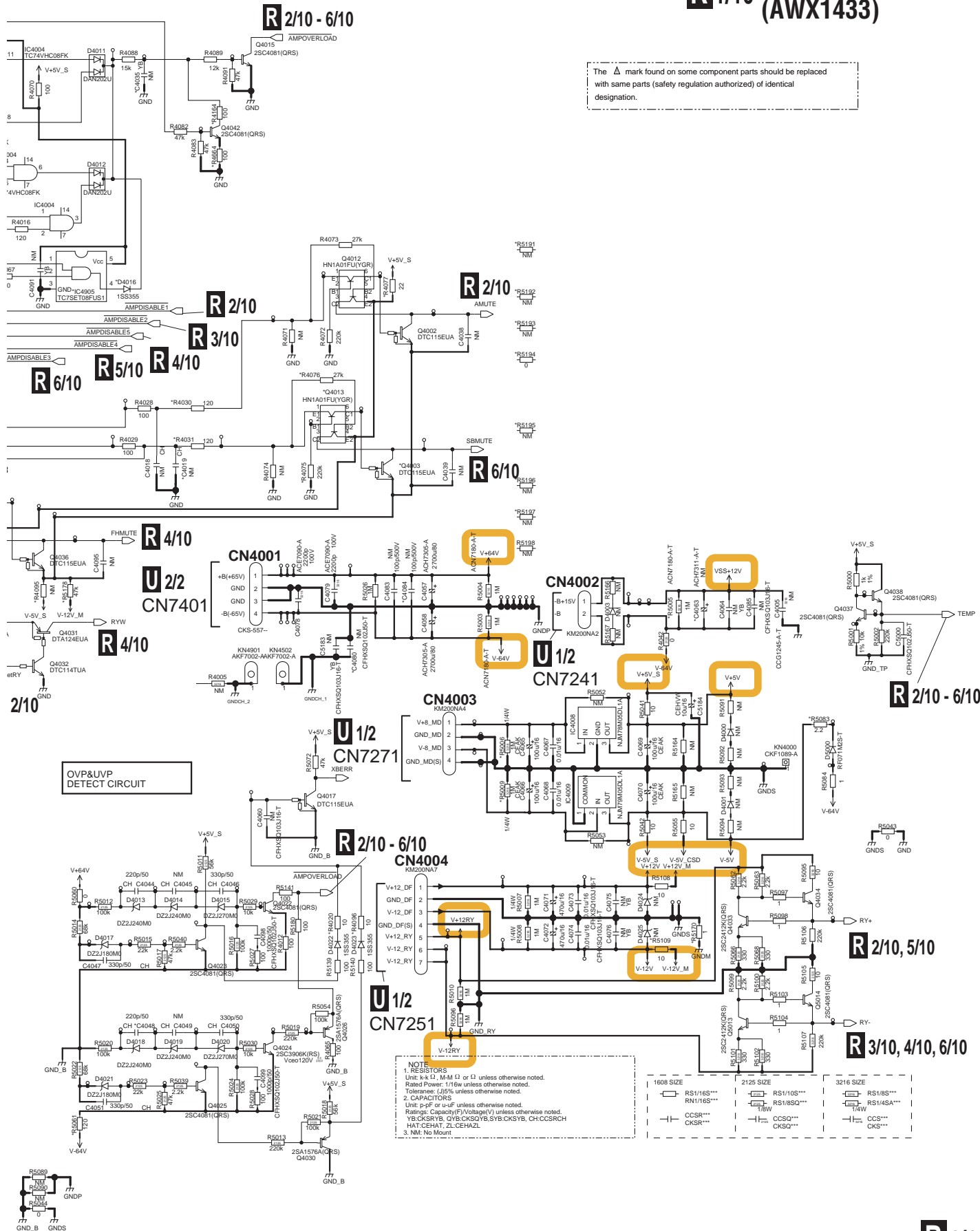




# R<sub>1/10</sub> D-AMP\_S ASSY(1/10) (AWX1433)

A  
B  
C  
D  
E  
F

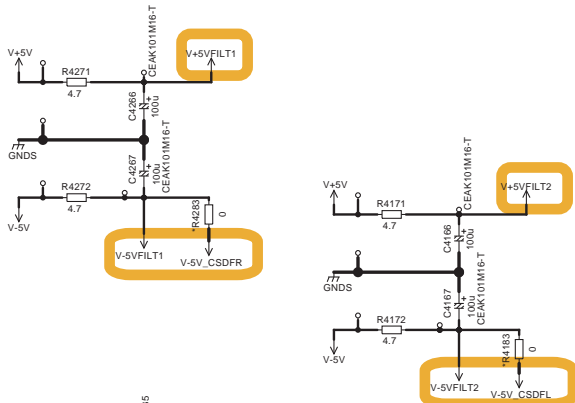
The  $\Delta$  mark found on some component parts should be replaced with same parts (safety regulation authorized) of identical designation.



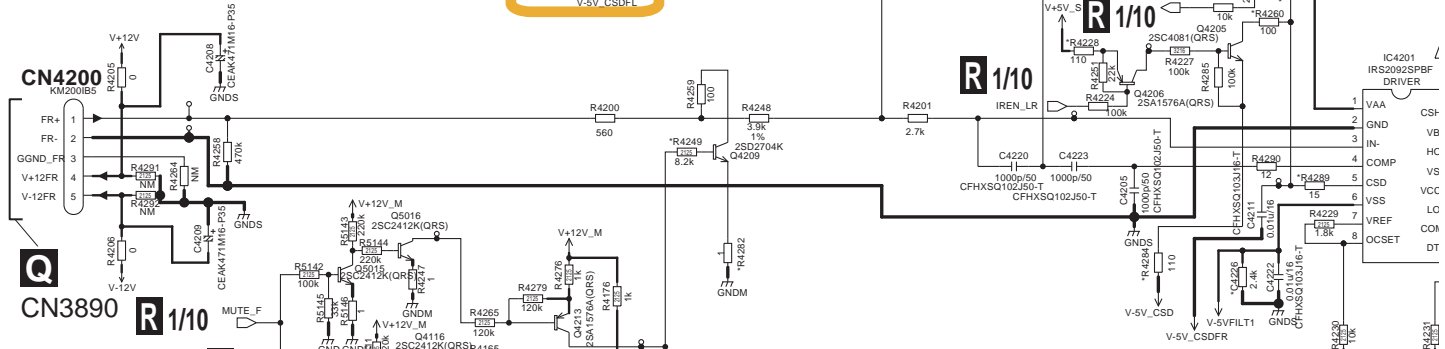
# 10.33 D-AMP\_S ASSY (2/10)

1 2 3 4

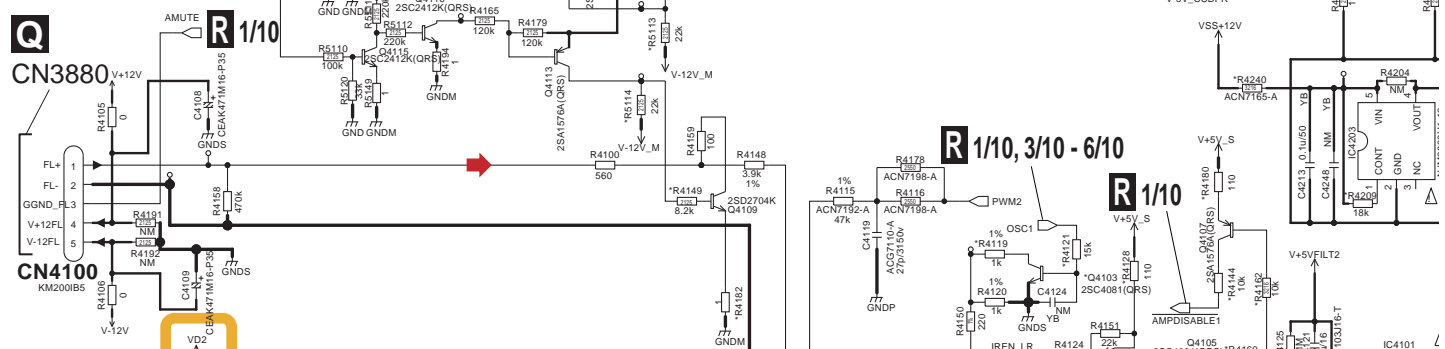
A



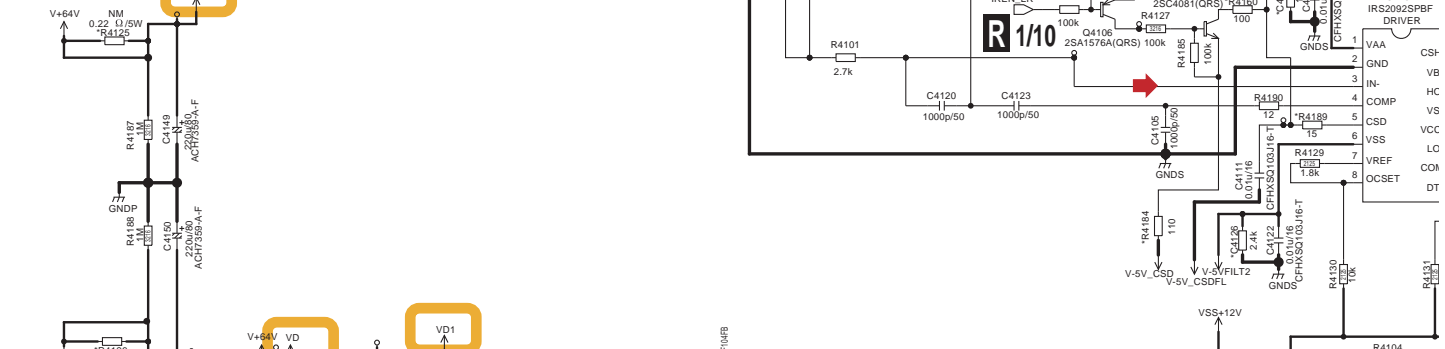
B



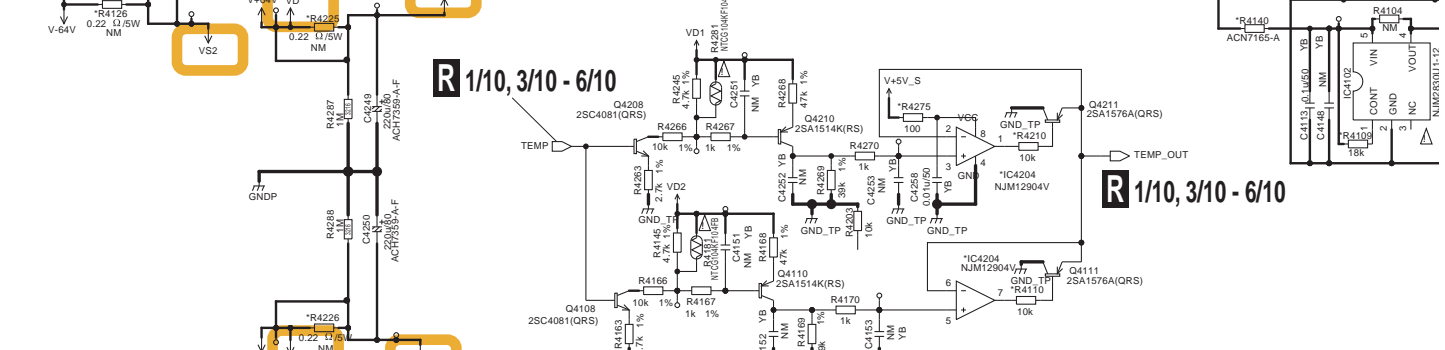
C



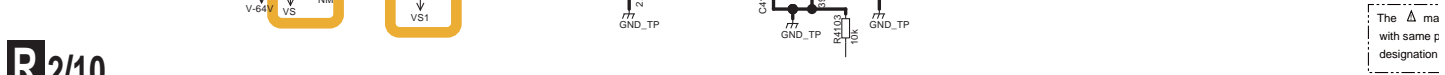
D



E



F



R 2/10

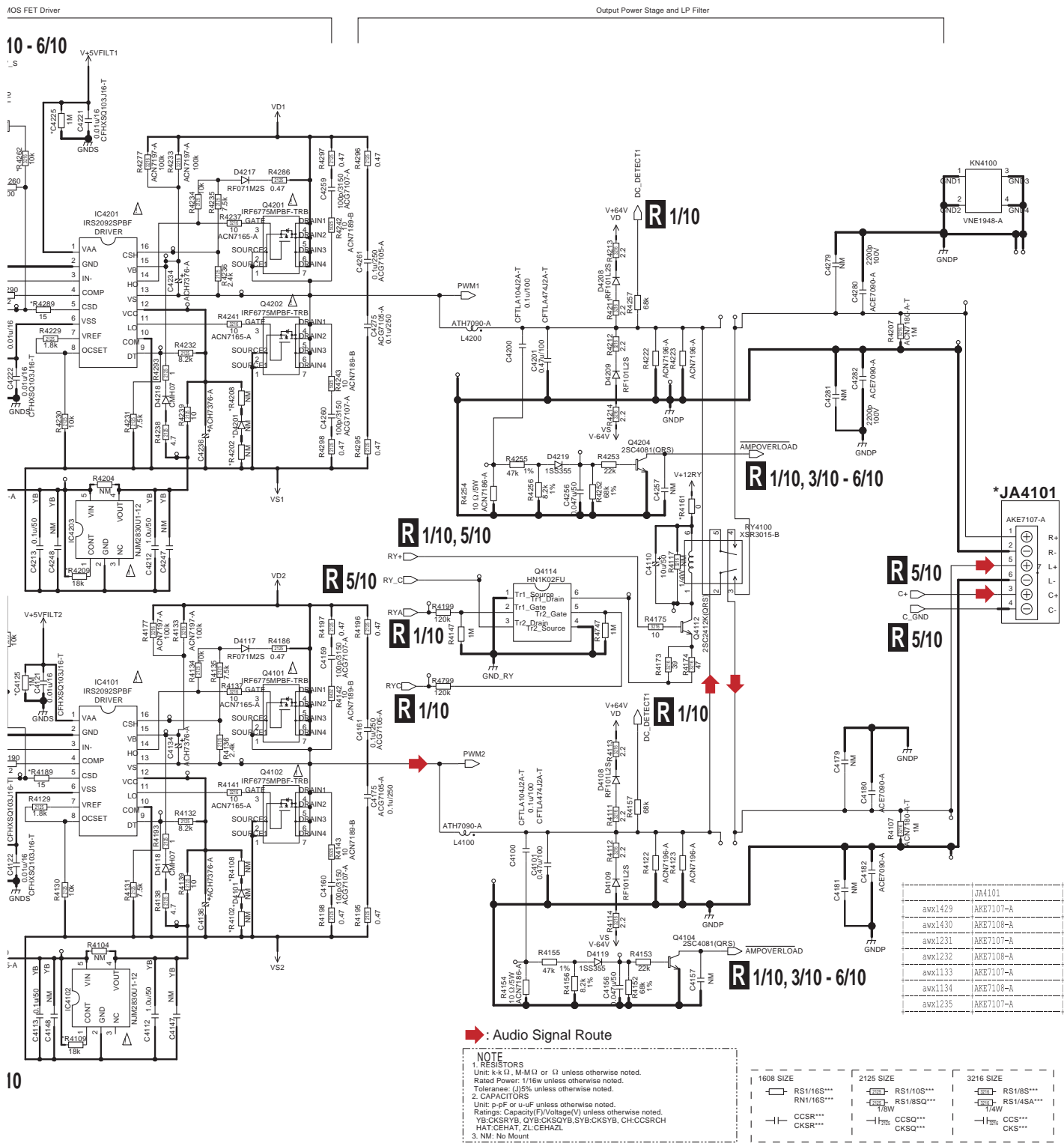
70

SC-72

The  $\Delta$  ma with same p designation

1 2 3 4

# R2/10 D-AMP\_S ASSY(2/10) (AWX1433)

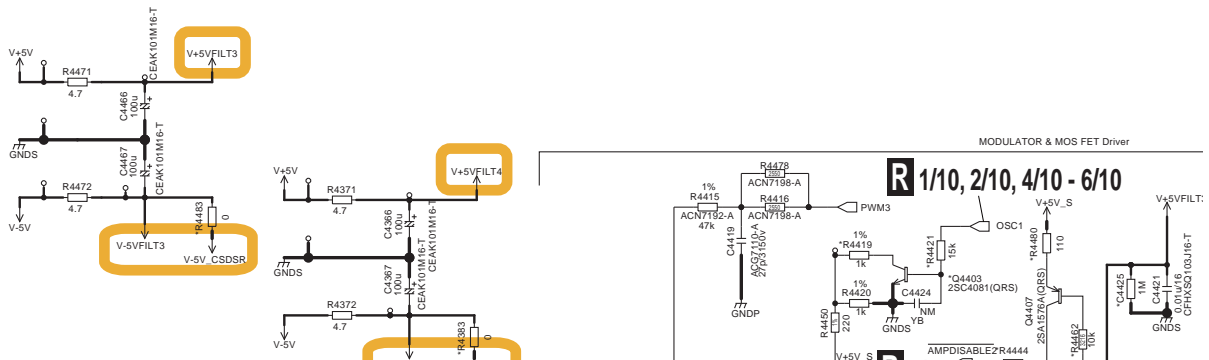


The  $\Delta$  mark found on some component parts should be replaced with same parts (safety regulation authorized) of identical designation.

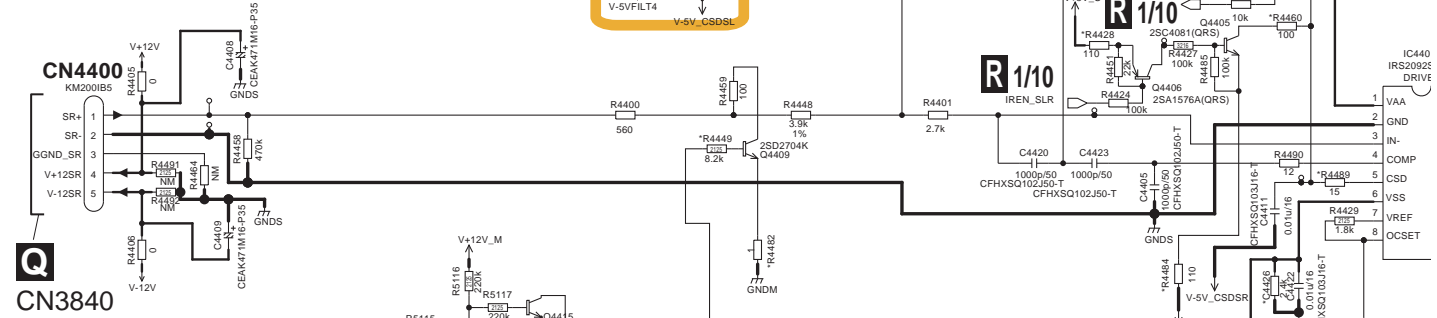
# 10.34 D-AMP\_S ASSY (3/10)

1 2 3 4

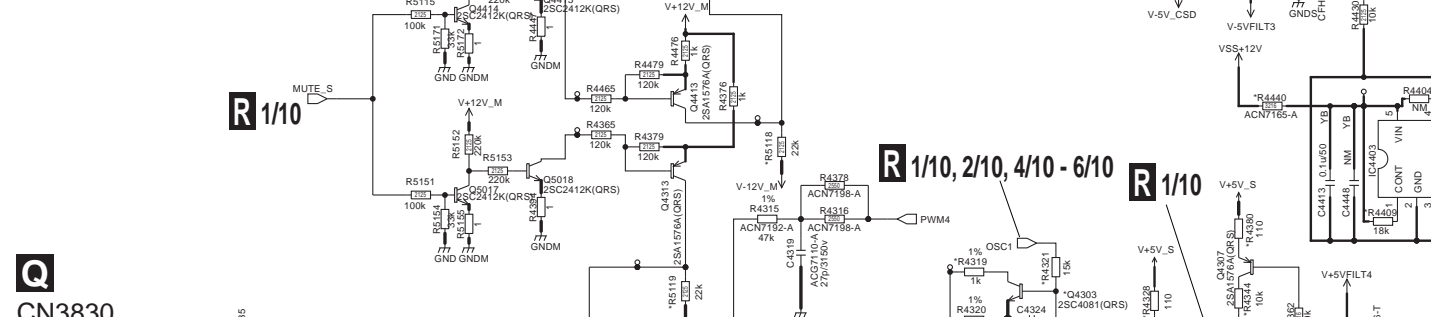
A



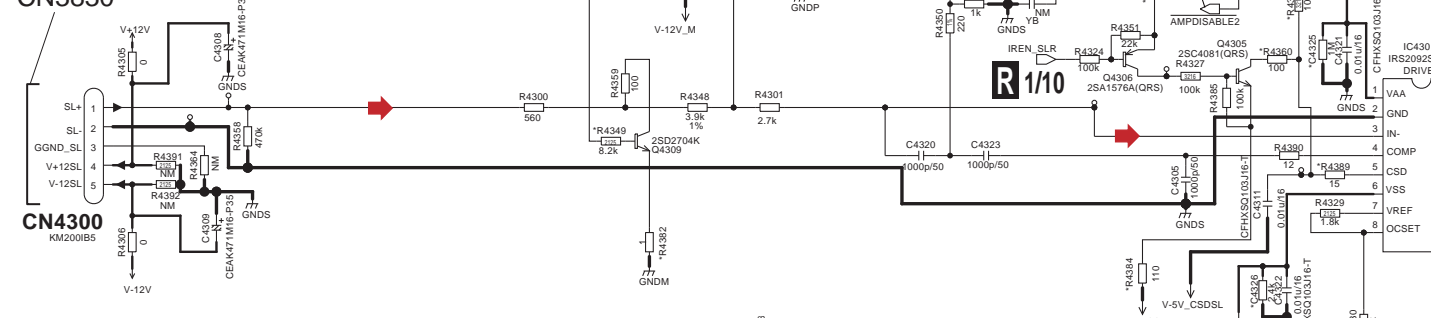
B



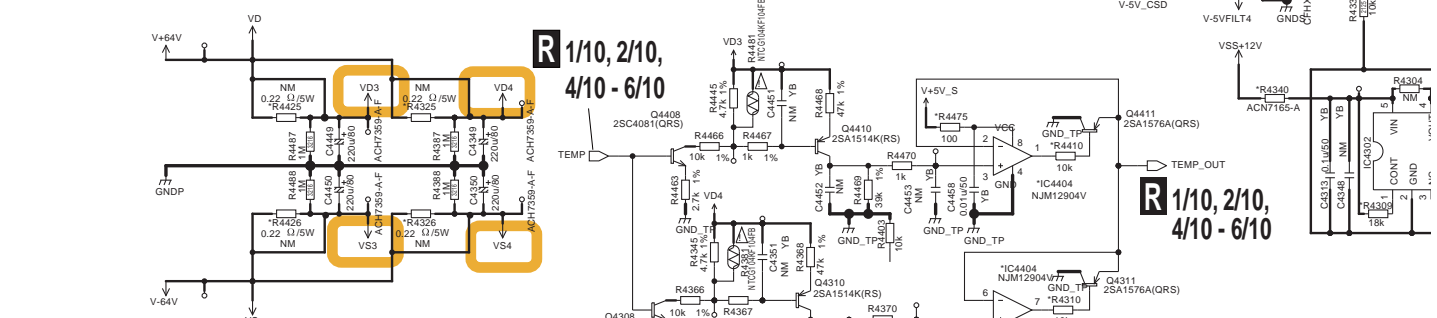
C



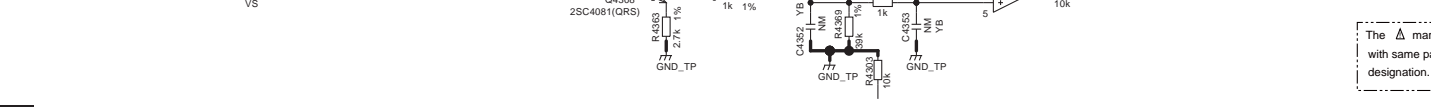
D



E



F



R3/10

1 2 3 4

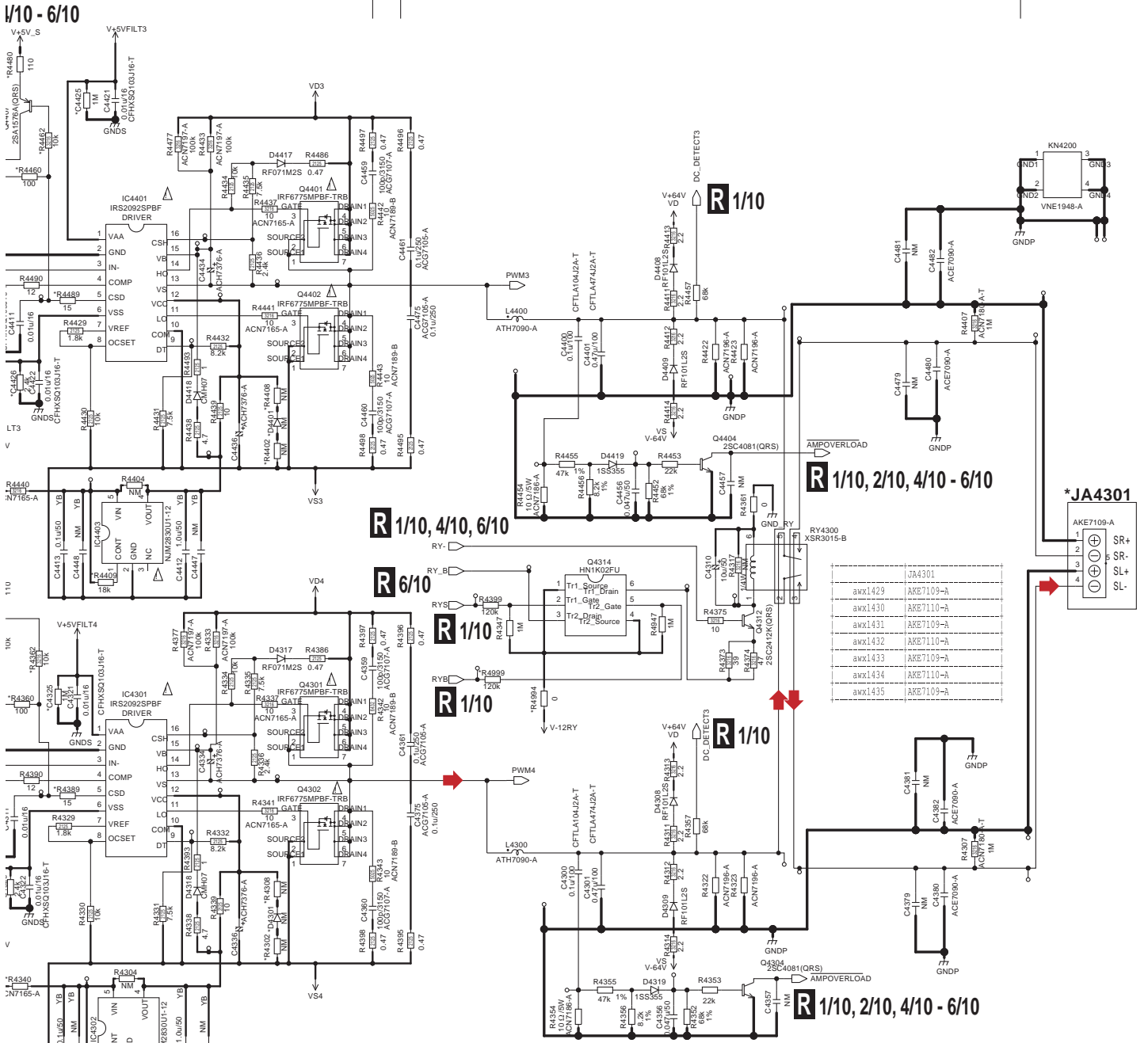
The  $\Delta$  mark with same pin designation.



# R3/10 D-AMP\_S ASSY(3/10) (AWX1433)

DR & MOS FET Driver

Output Power Stage and LP Filter



The  $\Delta$  mark found on some component parts should be replaced with same parts (safety regulation authorized) of identical designation.

1608 SIZE	2125 SIZE	3216 SIZE
RS1/16S***	RS1/10S***	RS1/8S***
RN1/16S***	RS1/8SO***	RS1/4SA***
CCSR***	CCSO***	CCS***
CKSR***	CKSO***	CKS***

# 10.35 D-AMP\_S ASSY (4/10)

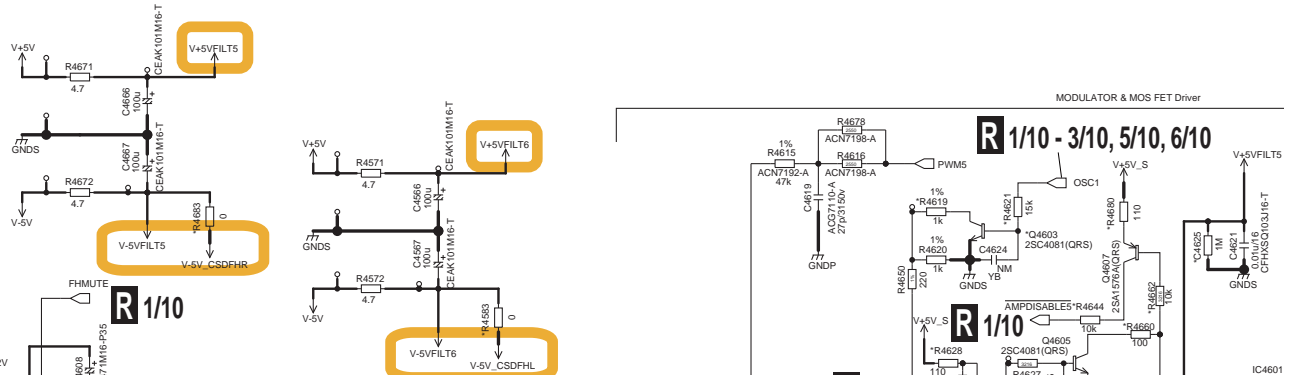
1

2

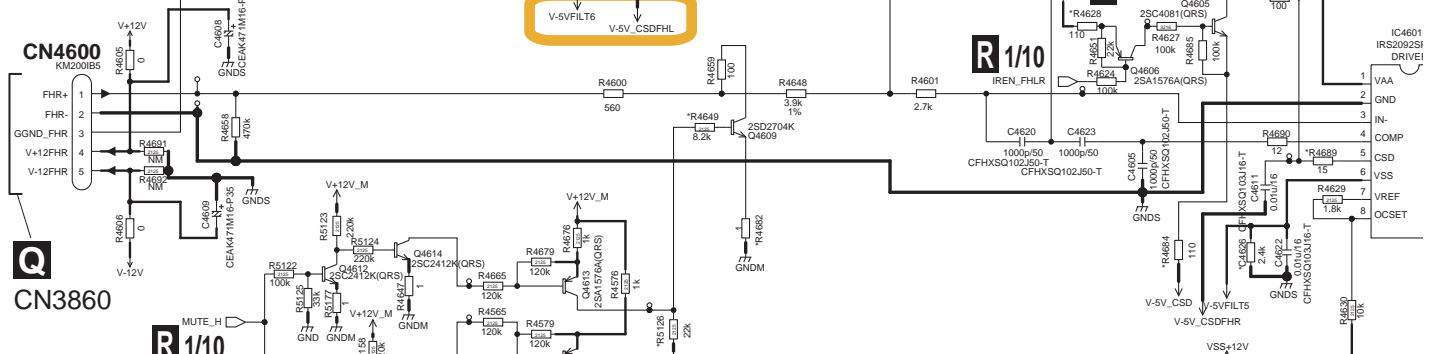
3

4

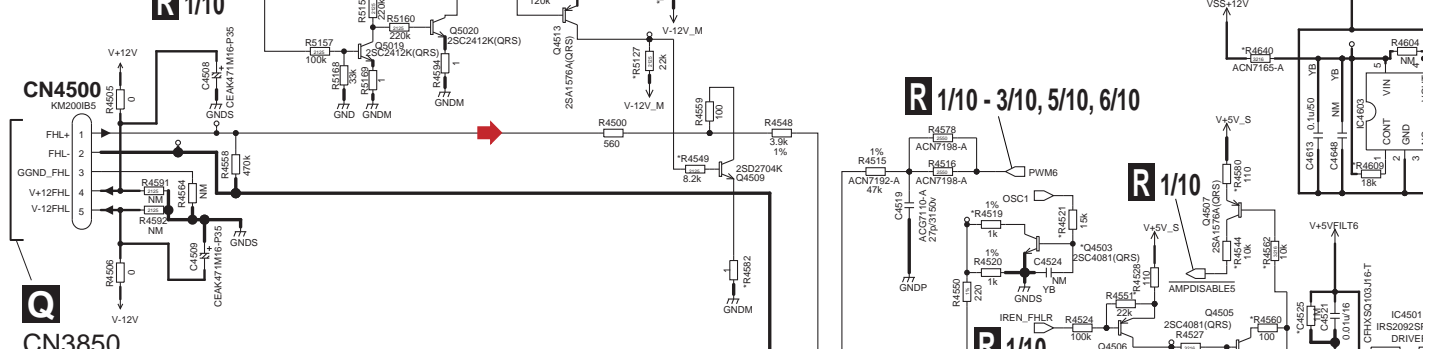
A



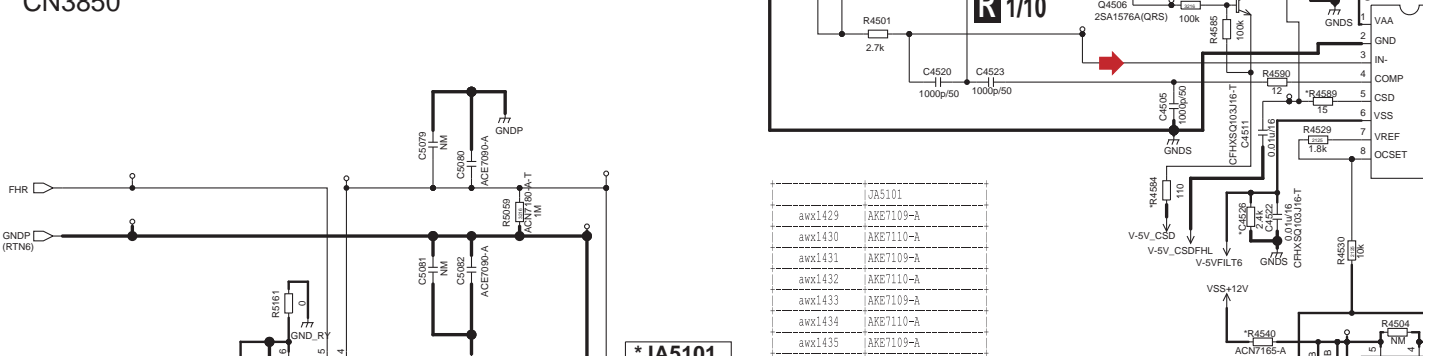
B



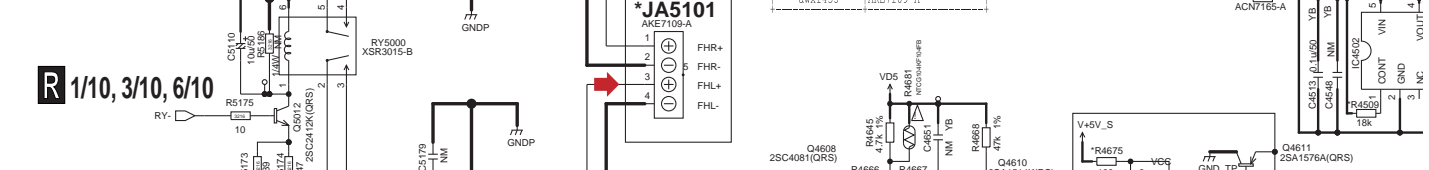
C



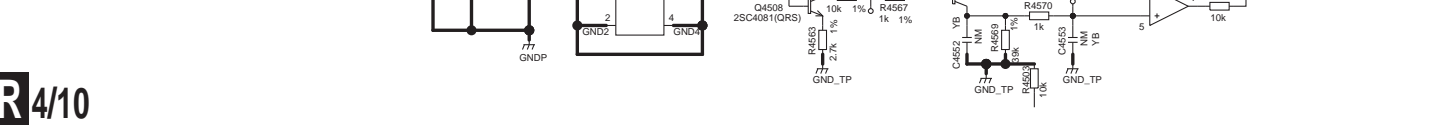
D



E

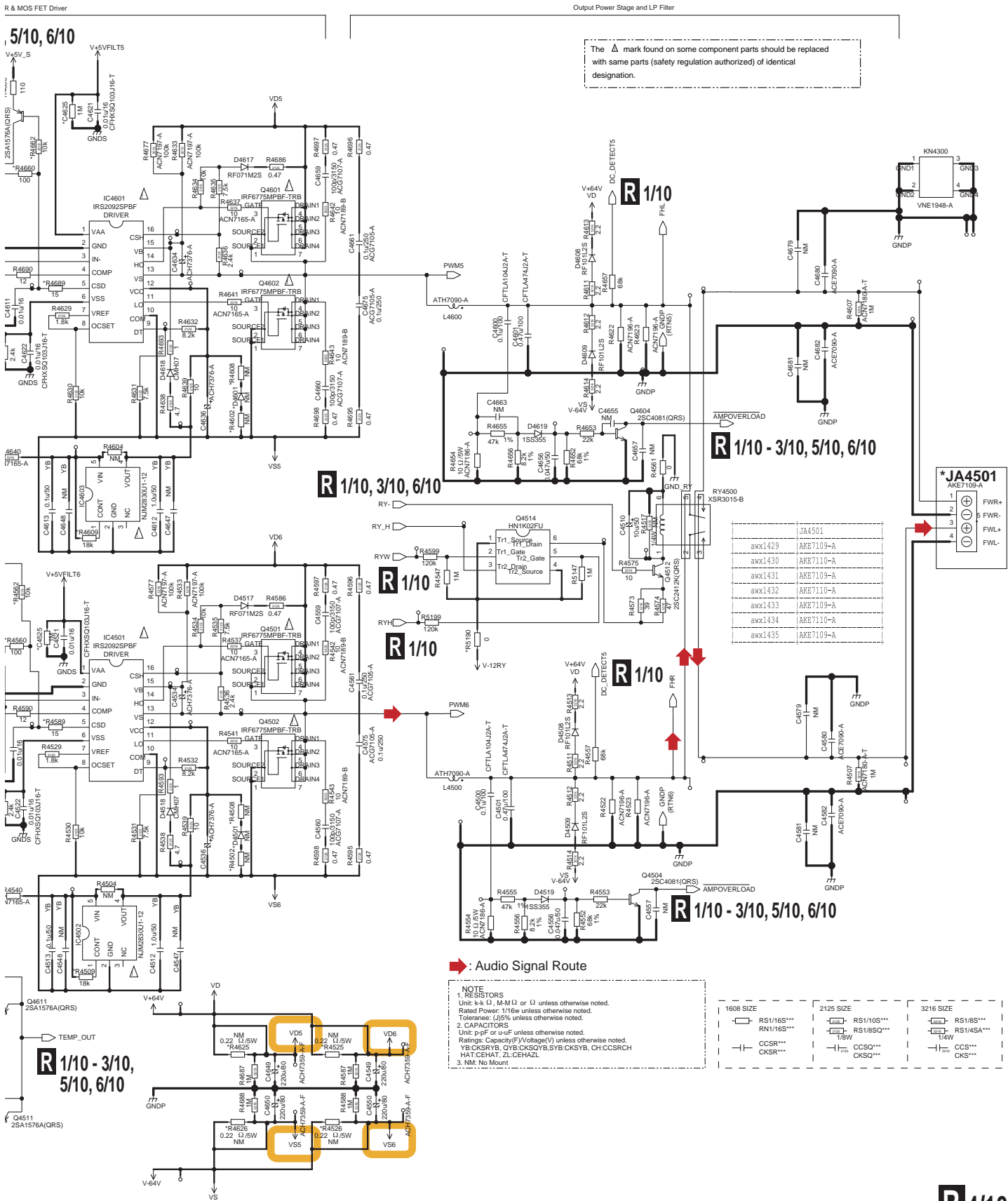


F



**R 4/10**

# R4/10 D-AMP\_S ASSY(4/10) (AWX1433)



A  
B  
C  
D  
E  
F

# 10.36 D-AMP\_S ASSY (5/10)

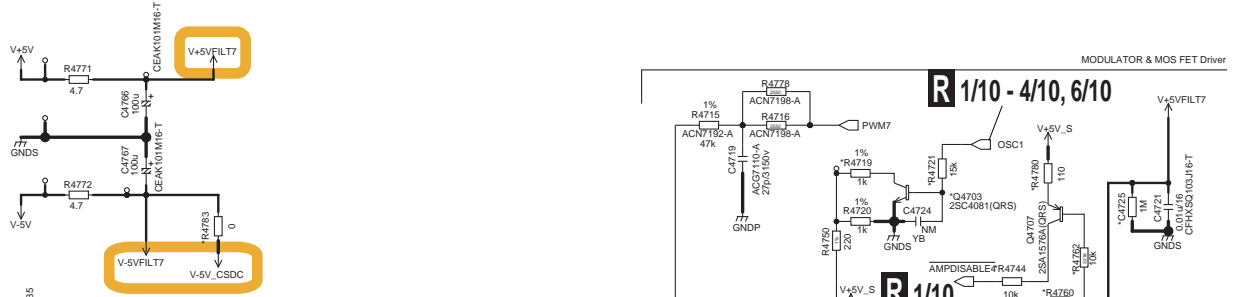
1

2

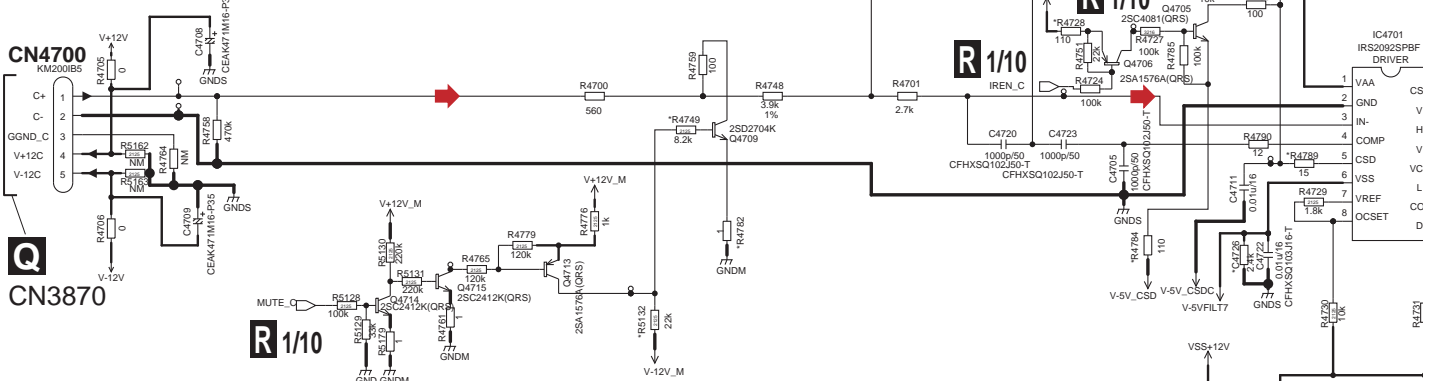
3

4

A



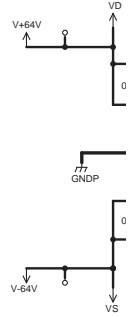
B



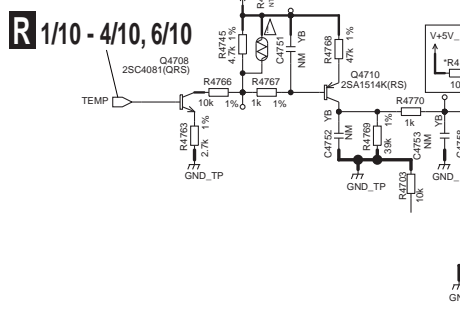
C

4sh	awx1429	awx1430	awx1431	awx1432	awx1433	awx1434	awx1435
C4525	1M	1M	1M	1M	NM	1M	1M
C4526	2.4k	2.4k	2.4k	2.4k	NM	1.8k	1.8k
C4625	1M	1M	1M	1M	NM	1M	1M
C4626	2.4k	2.4k	2.4k	2.4k	NM	1.8k	1.8k
R4502	NM	1	1	NM	NM	1	1
R4508	NM	1	1	NM	NM	1	1
R4509	18k	22k	22k	22k	18k	22k	22k
R4510	10k	9.1k	9.1k	9.1k	10k	9.1k	9.1k
R4519	1k	1k	NM	1k	1k	1k	NM
R4521	15k	15k	NM	15k	15k	15k	NM
R4525	NM	ACN7094-A	ACN7094-A	NM	NM	ACN7094-A	ACN7094-A
R4526	NM	ACN7094-A	ACN7094-A	NM	NM	ACN7094-A	ACN7094-A
R4528	110	120	120	120	110	120	120
R4540	ACN7165-A	47	47	47	ACN7165-A	47	47
R4544	10k	12k	12k	12k	10k	12k	12k
R4549	8.2k	15k	15k	15k	8.2k	15k	15k
R4560	100	120	120	120	100	120	120
R4562	10k	12k	12k	12k	10k	12k	12k
R4580	110	150	150	150	110	150	150
R4582	1	10	10	10	1	10	10
R4583	0	10k	10k	10k	0	10k	10k
R4584	110	150	150	150	110	150	150
R4589	15	100	100	100	15	100	100
R4602	NM	1	1	NM	NM	1	1
R4608	NM	1	1	NM	NM	1	1
R4609	18k	22k	22k	22k	18k	22k	22k
R4610	10k	9.1k	9.1k	9.1k	10k	9.1k	9.1k
R4619	1k	1k	NM	1k	1k	1k	NM
R4621	15k	15k	NM	15k	15k	15k	NM
R4625	NM	ACN7094-A	ACN7094-A	NM	NM	ACN7094-A	ACN7094-A
R4626	NM	ACN7094-A	ACN7094-A	NM	NM	ACN7094-A	ACN7094-A
R4628	110	120	120	120	110	120	120
R4640	ACN7165-A	47	47	47	ACN7165-A	47	47
R4644	10k	12k	12k	12k	10k	12k	12k
R4649	8.2k	15k	15k	15k	8.2k	15k	15k
R4660	100	120	120	120	100	120	120
R4662	10k	12k	12k	12k	10k	12k	12k
R4675	100	120	120	120	100	120	120
R4680	110	150	150	150	110	150	150
R4682	1	10	10	10	1	10	10
R4683	0	10k	10k	10k	0	10k	10k
R4684	110	150	150	150	110	150	150
R4689	15	100	100	100	15	100	100
R5126	22k	47k	47k	47k	22k	47k	47k
R5127	22k	47k	47k	47k	22k	47k	47k
R5190	0	2.2	2.2	2.2	0	2.2	2.2
IC4604	NJM12904V	NJM2732V	NJM2732V	NJM2732V	NJM12904V	NJM2732V	NJM2732V
D4501	NM	1SS355	1SS355	NM	NM	1SS355	1SS355
D4601	NM	1SS355	1SS355	NM	NM	1SS355	1SS355
Q4501	AKE7109-A	AKE7110-A	AKE7109-A	AKE7110-A	AKE7109-A	AKE7110-A	AKE7109-A
Q4501	AKE7109-A	AKE7110-A	AKE7109-A	AKE7110-A	AKE7109-A	AKE7110-A	AKE7109-A
Q4503	2SC4081(QRS)	2SC4081(QRS)	NM	2SC4081(QRS)	2SC4081(QRS)	2SC4081(QRS)	NM
Q4603	2SC4081(QRS)	2SC4081(QRS)	NM	2SC4081(QRS)	2SC4081(QRS)	2SC4081(QRS)	NM

D



E



F

The  $\Delta$  mark found on some component with same parts (safety regulation auto designation).

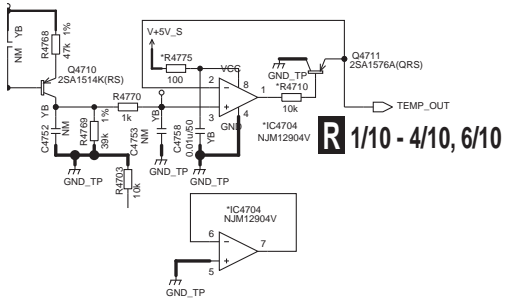
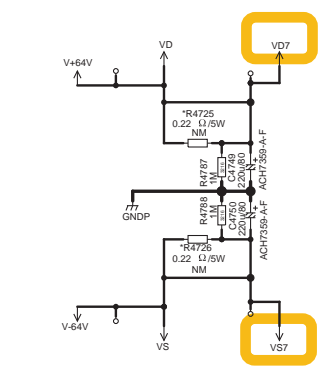
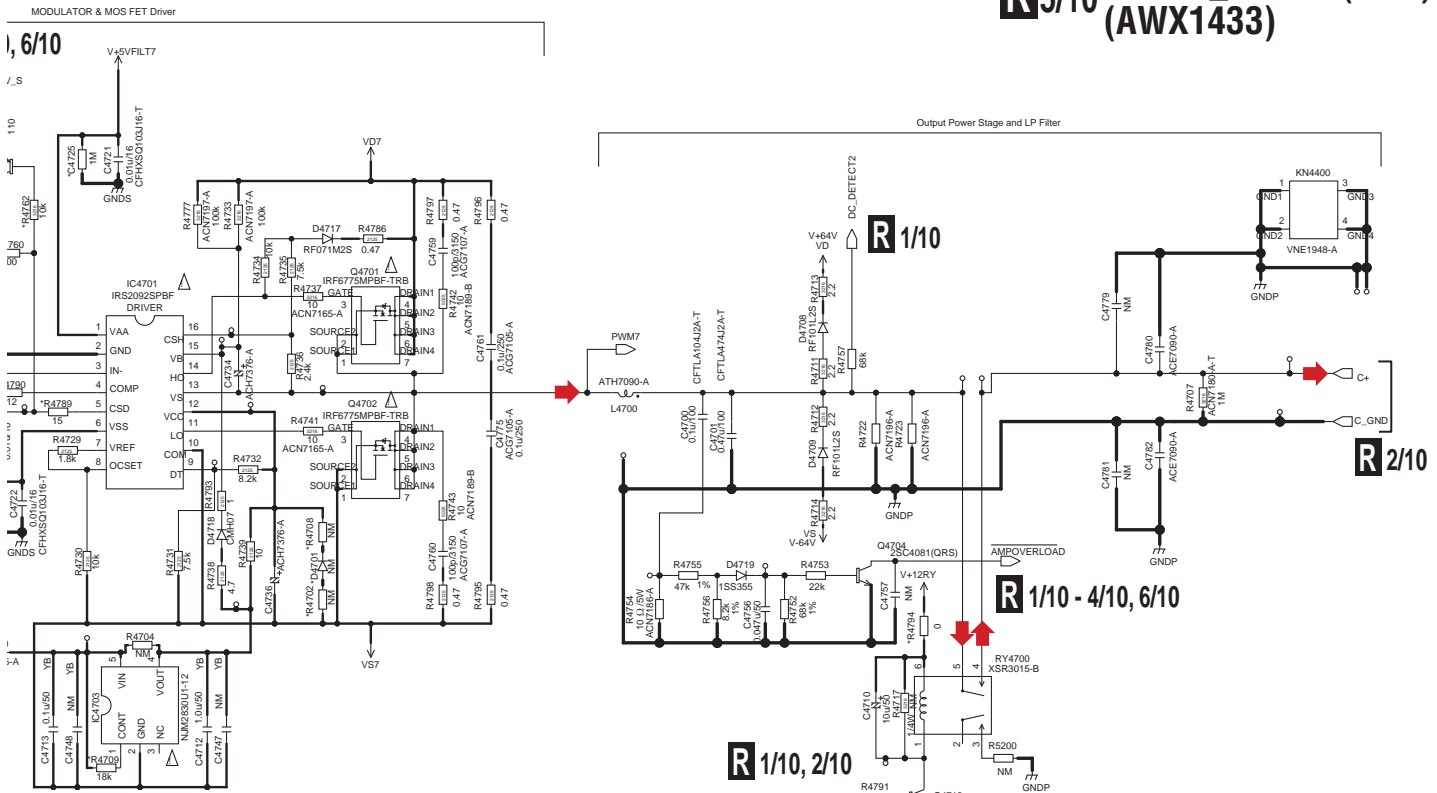
1

2

3

4

# R5/10 D-AMP\_S ASSY(5/10) (AWX1433)



364th	awx1429	awx1430	awx1431	awx1432	awx1433	awx1434	awx1435
C4725	1M	1M	1M	1M	NM	1M	1M
C4726	2.4k	2.4k	2.4k	2.4k	NM	1.8k	1.8k
R4702	2	1	1	NM	NM	1	1
R4708	NM	1	1	NM	NM	1	1
R4709	1.8k	22k	22k	22k	18k	22k	22k
R4710	10k	9.1k	9.1k	10k	10k	9.1k	9.1k
R4719	1k	1k	NM	1k	1k	1k	NM
R4721	15k	15k	NM	15k	15k	15k	NM
R4725	NM	ACN7094-A	ACN7094-A	NM	ACN7094-A	ACN7094-A	ACN7094-A
R4726	NM	ACN7094-A	ACN7094-A	NM	ACN7094-A	ACN7094-A	ACN7094-A
R4728	110	120	120	120	110	120	120
R4740	ACN7165-A	47	47	47	ACN7165-A	47	47
R4744	10k	12k	12k	12k	10k	12k	12k
R4749	8.2k	15k	15k	15k	8.2k	15k	15k
R4760	100	120	120	120	100	120	120
R4762	10k	12k	12k	12k	10k	12k	12k
R4775	100	120	120	120	100	120	120
R4780	110	150	150	150	110	150	150
R4782	1	10	10	10	1	10	10
R4783	0	10k	10k	10k	0	10k	10k
R4784	110	150	150	150	110	150	150
R4789	15	100	100	100	15	100	100
R4794	0	4.7	4.7	4.7	0	4.7	4.7
R5132	22k	47k	47k	47k	22k	47k	47k
IC4704	NJM12904V	NJM2732V	NJM2732V	NJM2732V	NJM12904V	NJM2732V	NJM2732V
D4701	NM	1SS355	1SS355	NM	NM	1SS355	1SS355
Q4703	2SC4081 (QRS)	2SC4081 (QRS)	NM	2SC4081 (QRS)	2SC4081 (QRS)	2SC4081 (QRS)	NM

### Audio Signal Route

**NOTE**  
**1. RESISTORS**  
 Unit: k-k $\Omega$ , M-M $\Omega$  or  $\Omega$  unless otherwise noted.  
 Rated Power: 1/10w unless otherwise noted.  
 Tolerance: (1)5%, unless otherwise noted.  
**2. CAPACITORS**  
 Unit: p-pF or  $\mu$ -F unless otherwise noted.  
 Rating: Capacity(F)/Voltage(V) unless otherwise noted.  
 YB:CKSRVYB, QYB:CKSQYB, SYB:CKSYB, CH:CCRSCH  
 HAT:CEHAT, ZL:CEHAZL  
 9. NM: No Mount



mark found on some component parts should be replaced  
 the parts (safety regulation authorized) of identical  
 ation.

# 10.37 D-AMP\_S ASSY (6/10)

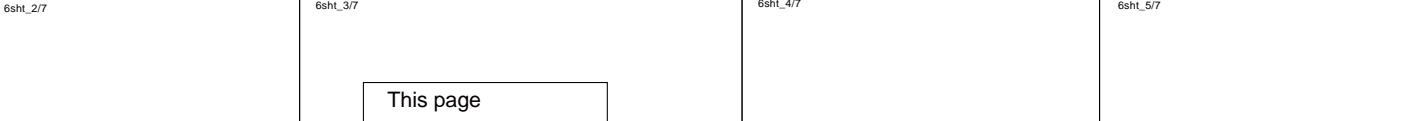
1

2

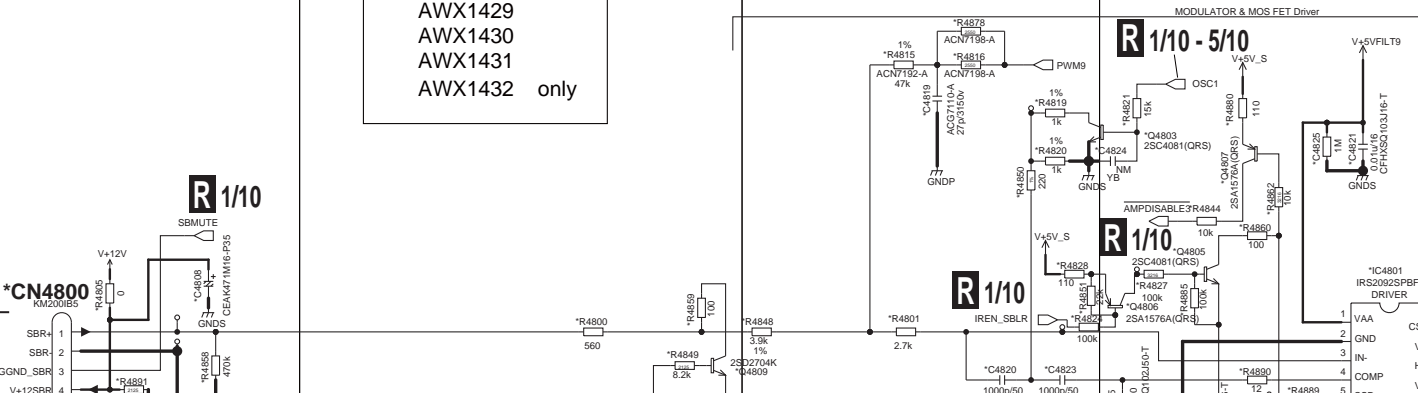
3

4

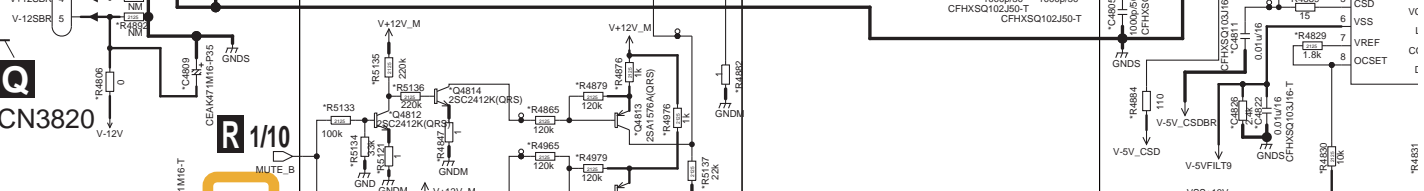
A



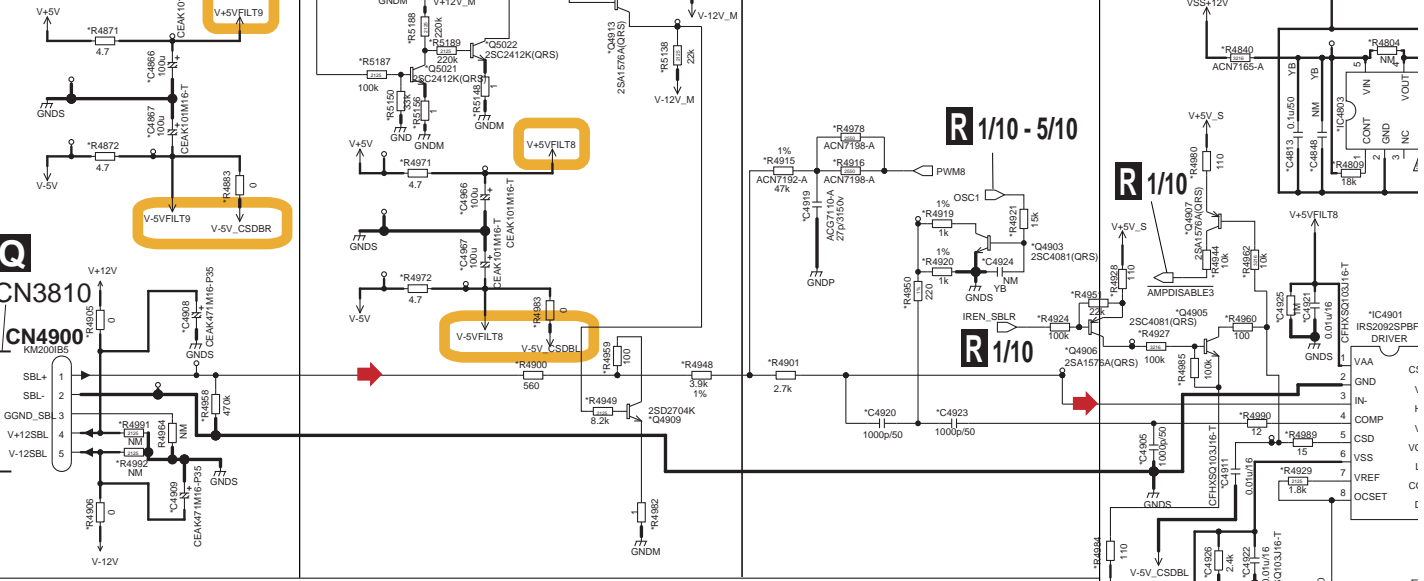
B



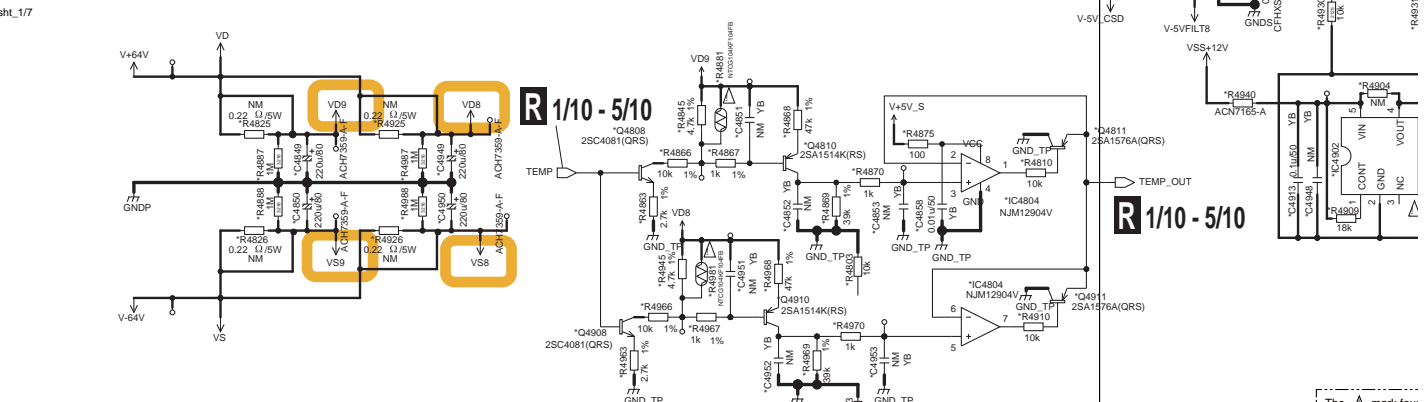
C



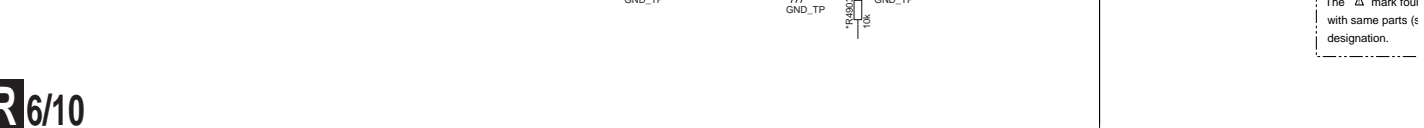
D



E



F



**R6/10**

78

SC-72

1

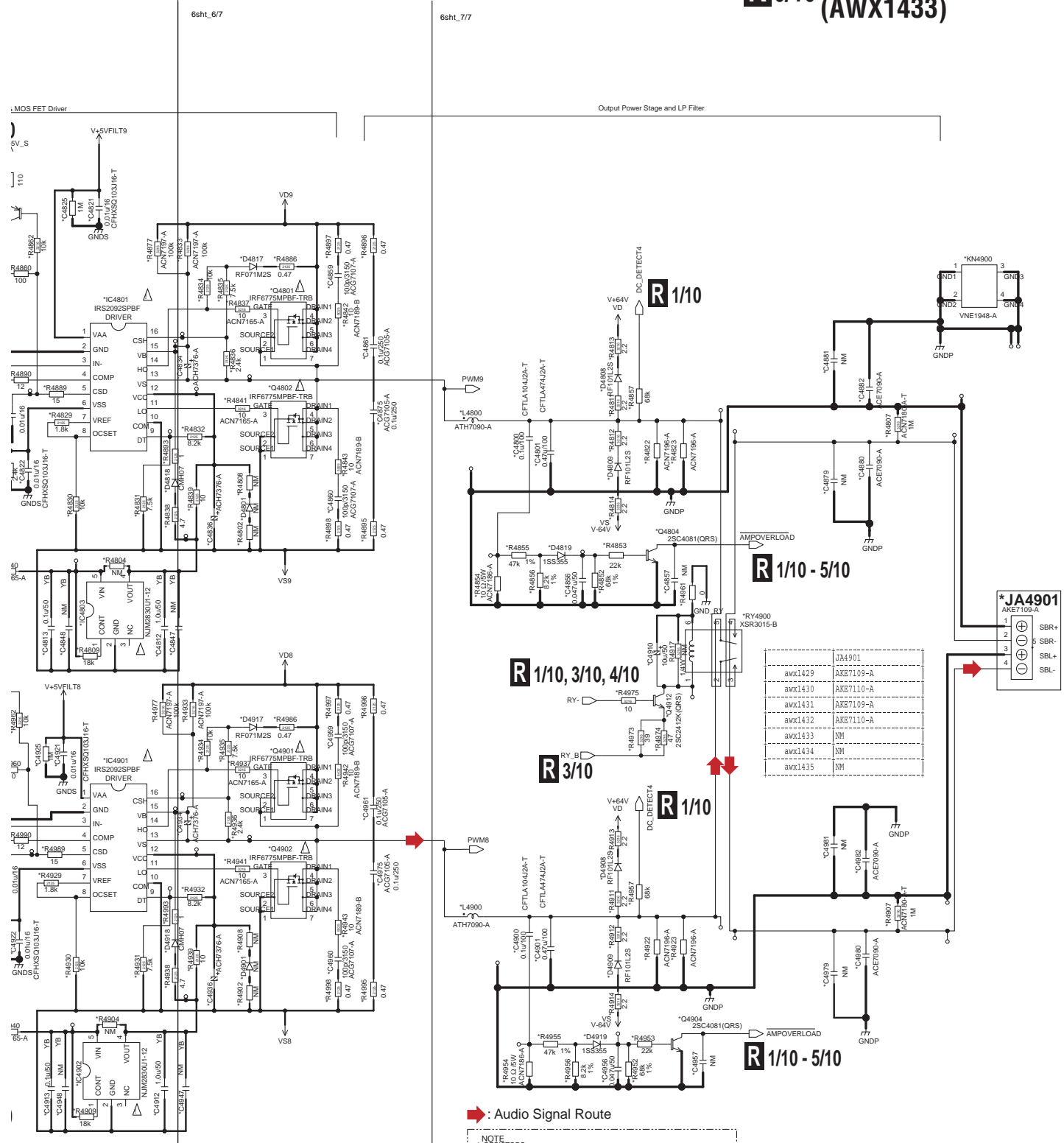
2

3

4

The  $\Delta$  mark four with same parts ( $\epsilon$  designation).

# R6/10 D-AMP\_S ASSY(6/10) (AWX1433)



The  $\Delta$  mark found on some component parts should be replaced with same parts (safety regulation authorized) of identical designation.

**NOTE**  
 1. RESISTORS  
 Unit: k- $\Omega$ , M-M  $\Omega$  or  $\Omega$  unless otherwise noted.  
 Rated Power: 1/10W unless otherwise noted.  
 Tolerance:  $\pm 5\%$  unless otherwise noted.  
 2. CAPACITORS  
 Unit: p-pF or  $\mu$ F unless otherwise noted.  
 Ratings: Capacitance (Voltage) unless otherwise noted.  
 YB, CKSRYB, QYB, CKSQSYB, SYB, CKSYB, CH, CCSRCH, HAT, CEHAT, ZL, CEHAZL  
 3. NM: No Mount

1608 SIZE	2125 SIZE	3216 SIZE
RS1/16S***	RS1/10S***	RS1/8S***
RS1/16S***	RS1/8SQ***	RS1/4SA***
CCSR***	CCSQ***	CCS***
CKSR***	CKSQ***	CKS***

# 10.38 D-AMP\_S ASSY (7/10)

1sh#	awk1429	awk1430	awk1431	awk1432	awk1433	awk1434	awk1435
C4017	100p/50	100p/50	100p/50	100p/50	NM	NM	NM
C4019	NM	NM	NM	NM	NM	NM	NM
C4022	0.1u/50	0.01u/50	0.01u/50	0.01u/50	0.1u/50	0.01u/50	0.01u/50
C4035	0.1u/50	NM	NM	NM	0.1u/50	NM	NM
C4048	330p/50	220p/50	220p/50	220p/50	330p/50	220p/50	220p/50
C4053	ACH7321-A	ACH7321-A	ACH7321-A	ACH7321-A	NM	NM	NM
C4063	220u/25	NM	NM	NM	220u/25	NM	NM
C4077	10p/50	47p/50	47p/50	47p/50	10p/50	47p/50	47p/50
C4080	1000p/50	NM	NM	NM	1000p/50	1000p/50	NM
C4084	NM	ACE7082-A	ACE7082-A	NM	NM	ACE7082-A	ACE7082-A
C4086	0.01u/50	NM	NM	NM	0.01u/50	NM	NM
C4087	100p/50	NM	NM	NM	100p/50	NM	NM
C5186	NM	0.01u/16	0.01u/16	0.01u/16	NM	0.01u/16	0.01u/16
R4001	120	120	120	120	100	100	100
R4003	120	120	120	120	NM	NM	NM
R4004	120	120	120	120	100	100	100
R4017	0	10	10	10	0	10	10
R4020	1	10	10	10	1	10	10
R4021	220	270	270	270	220	270	270
R4022	100	120	120	120	100	120	120
R4023	100	120	120	120	100	120	120
R4030	100	120	120	120	100	120	120
R4031	100	120	120	120	NM	NM	NM
R4035	100	120	120	120	100	120	120
R4036	100	100	NM	100	100	100	NM
R4037	100	100	NM	100	100	100	NM
R4038	10k	10k	NM	10k	10k	10k	NM
R4039	22k	22k	NM	22k	22k	22k	NM
R4041	220k	220k	NM	220k	220k	220k	NM
R4050	100	120	120	120	100	120	120
R4051	100	120	120	120	100	120	120
R4052	100	120	120	120	100	120	120
R4053	100	120	120	120	NM	NM	NM
R4069	12	12	12	12	10	12	12
R4075	220k	220k	220k	220k	NM	NM	NM
R4076	27k	27k	27k	27k	NM	NM	NM
R4077	10	22	22	22	10	22	22
R4079	5.6k	5.6k	5.6k	5.6k	NM	NM	NM
R4081	NM	NM	0	NM	NM	NM	0
R4093	100	120	120	120	100	120	120
R4095	22k	NM	NM	NM	22k	NM	NM
R4096	1	10	10	10	1	10	10
R4098	100	100	100	100	NM	NM	NM
R4099	100	120	120	120	100	120	120
R4164	0	100	100	100	0	100	100
R4664	0	100	100	100	0	100	100
R4864	0	10	10	10	0	10	10
R5005	NM	1M	1M	1M	NM	1M	1M
R5006	1M	1M	1M	1M	NM	1M	1M
R5009	1M	1M	1M	1M	NM	1M	1M
R5036	15k	15k	15k	15k	NM	NM	NM
R5047	100	100	100	100	100	100	NM
R5048	NM	NM	NM	NM	0	0	0
R5049	NM	NM	NM	NM	0	0	0
R5050	NM	NM	NM	NM	0	0	0
R5051	100	100	100	100	NM	NM	NM
R5056	120	120	120	120	100	120	120
R5057	120	120	120	120	100	120	120
R5058	100	120	120	120	100	120	120
R5061	120	120	120	120	100	100	100
R5064	100	120	120	120	100	120	120
R5067	120	120	120	120	NM	NM	NM
R5069	120	120	120	120	NM	NM	NM
R5073	100k	120k	120k	120k	100k	120k	120k
R5074	100k	120k	120k	120k	100k	120k	120k
R5075	100k	120k	120k	120k	100k	120k	120k
R5076	100k	120k	120k	120k	100k	120k	120k
R5077	100k	120k	120k	120k	NM	NM	NM
R5082	100	100	100	100	NM	NM	NM
R5083	1	2.2	2.2	2.2	1	2.2	2.2
R5109	0	10	10	10	0	10	10
R5170	0	1	1	1	0	1	1
R5178	NM	47k	47k	47k	NM	47k	47k
R5185	100	100	100	100	NM	NM	NM
R5191	0	NM	NM	NM	NM	NM	NM



# R7/10 D-AMP\_S ASSY(7/10) (AWX1433)

1stht							
	awx1429	awx1430	awx1431	awx1432	awx1433	awx1434	awx1435
R5192	NM	0	NM	NM	NM	NM	NM
R5193	NM	NM	0	NM	NM	NM	NM
R5194	NM	NM	NM	0	NM	NM	NM
R5195	NM	NM	NM	NM	0	NM	NM
R5196	NM	NM	NM	NM	NM	0	NM
R5197	NM	NM	NM	NM	NM	NM	0
IC4905	TC7SET08FUS1	TC7SET08FUS1	TC7SET08FUS1	TC7SET08FUS1	NM	NM	NM
SUBASSY	AWX1429- /J	AWX1430- /J	AWX1431- /J	AWX1432- /J	AWX1433- /J	AWX1434- /J	AWX1435- /J
D4016	1SS355	1SS355	1SS355	1SS355	NM	NM	NM
Q4000	DTC124EUA	DTC124EUA	NM	DTC124EUA	DTC124EUA	DTC124EUA	NM
Q4001	2SA1576A(QRS)	2SA1576A(QRS)	NM	2SA1576A(QRS)	2SA1576A(QRS)	2SA1576A(QRS)	NM
Q4003	DTC115EUA	DTC115EUA	DTC115EUA	DTC115EUA	NM	NM	NM
Q4010	DPA124EUA	DPA124EUA	DPA124EUA	DPA124EUA	NM	NM	NM
Q4011	DTC114TUA	DTC114TUA	DTC114TUA	DTC114TUA	NM	NM	NM
Q4013	HN1A01FU(YGR)	HN1A01FU(YGR)	HN1A01FU(YGR)	HN1A01FU(YGR)	NM	NM	NM
Q4028	HN1C01FU(YGR)	HN1C01FU(YGR)	HN1C01FU(YGR)	HN1C01FU(YGR)	NM	NM	NM

2stht							
	awx1429	awx1430	awx1431	awx1432	awx1433	awx1434	awx1435
C4125	1M	1M	1M	1M	NM	1M	1M
C4126	2.4k	2.4k	2.4k	2.4k	NM	1.8k	1.8k
C4225	1M	1M	1M	1M	NM	1M	1M
C4226	2.4k	2.4k	2.4k	2.4k	NM	1.8k	1.8k
R4102	NM	1	1	NM	NM	1	1
R4108	NM	1	1	NM	NM	1	1
R4109	18k	22k	22k	22k	18k	22k	22k
R4110	10k	9.1k	9.1k	9.1k	10k	9.1k	9.1k
R4119	1k	1k	NM	1k	1k	1k	NM
R4121	15k	15k	NM	15k	15k	15k	NM
R4125	NM	ACN7094-A	ACN7094-A	NM	NM	ACN7094-A	ACN7094-A
R4126	NM	ACN7094-A	ACN7094-A	NM	NM	ACN7094-A	ACN7094-A
R4128	110	120	120	120	110	120	120
R4140	ACN7165-A	47	47	47	ACN7165-A	47	47
R4144	10k	12k	12k	12k	10k	12k	12k
R4149	8.2k	15k	15k	15k	8.2k	15k	15k
R4160	100	120	120	120	100	120	120
R4161	0	4.7	4.7	4.7	0	4.7	4.7
R4162	10k	12k	12k	12k	10k	12k	12k
R4180	110	150	150	150	110	150	150
R4182	1	10	10	10	1	10	10
R4183	0	10k	10k	10k	0	10k	10k
R4184	110	150	150	150	110	150	150
R4189	15	100	100	100	15	100	100
R4202	NM	1	1	NM	NM	1	1
R4208	NM	1	1	NM	NM	1	1
R4209	18k	22k	22k	22k	18k	22k	22k
R4210	10k	9.1k	9.1k	9.1k	10k	9.1k	9.1k
R4219	1k	1k	NM	1k	1k	1k	NM
R4221	15k	15k	NM	15k	15k	15k	NM
R4225	NM	ACN7094-A	ACN7094-A	NM	NM	ACN7094-A	ACN7094-A
R4226	NM	ACN7094-A	ACN7094-A	NM	NM	ACN7094-A	ACN7094-A
R4228	110	120	120	120	110	120	120
R4240	ACN7165-A	47	47	47	ACN7165-A	47	47
R4244	10k	12k	12k	12k	10k	12k	12k
R4249	8.2k	15k	15k	15k	8.2k	15k	15k
R4260	100	120	120	120	100	120	120
R4262	10k	12k	12k	12k	10k	12k	12k
R4275	100	120	120	120	100	120	120
R4280	110	150	150	150	110	150	150
R4282	1	10	10	10	1	10	10
R4283	0	10k	10k	10k	0	10k	10k
R4284	110	150	150	150	110	150	150
R4289	15	100	100	100	15	100	100
R5113	22k	47k	47k	47k	22k	47k	47k
R5114	22k	47k	47k	47k	22k	47k	47k
IC4204	NJM12904V	NJM2732V	NJM2732V	NJM2732V	NJM12904V	NJM2732V	NJM2732V
D4101	NM	1SS355	1SS355	NM	NM	1SS355	1SS355
D4201	NM	1SS355	NM	NM	NM	1SS355	1SS355
JA4101	AKE7107-A	AKE7108-A	AKE7107-A	AKE7108-A	AKE7107-A	AKE7108-A	AKE7107-A
Q4103	2SC4081(QRS)	2SC4081(QRS)	NM	2SC4081(QRS)	2SC4081(QRS)	2SC4081(QRS)	NM
Q4203	2SC4081(QRS)	2SC4081(QRS)	NM	2SC4081(QRS)	2SC4081(QRS)	2SC4081(QRS)	NM

# 10.39 D-AMP\_S ASSY (8/10)

3sht	awx1429	awx1430	awx1431	awx1432	awx1433	awx1434	awx1435
C4325	1M	1M	1M	1M	NM	1M	1M
C4326	2.4k	2.4k	2.4k	2.4k	NM	1.8k	1.8k
C4425	1M	1M	1M	1M	NM	1M	1M
C4426	2.4k	2.4k	2.4k	2.4k	NM	1.8k	1.8k
R4302	NM	1	1	NM	NM	1	1
R4308	NM	1	1	NM	NM	1	1
R4309	18k	22k	22k	22k	18k	22k	22k
R4310	10k	9.1k	9.1k	9.1k	10k	9.1k	9.1k
R4319	1k	1k	NM	1k	1k	1k	NM
R4321	15k	15k	NM	15k	15k	15k	NM
R4325	NM	ACN7094-A	ACN7094-A	NM	NM	ACN7094-A	ACN7094-A
R4326	NM	ACN7094-A	ACN7094-A	NM	NM	ACN7094-A	ACN7094-A
R4328	110	120	120	120	110	120	120
R4340	ACN7165-A	47	47	47	ACN7165-A	47	47
R4344	10k	12k	12k	12k	10k	12k	12k
R4349	8.2k	15k	15k	15k	8.2k	15k	15k
R4360	100	120	120	120	100	120	120
R4362	10k	12k	12k	12k	10k	12k	12k
R4380	110	150	150	150	110	150	150
R4382	1	10	10	10	1	10	10
R4383	0	10k	10k	10k	0	10k	10k
R4384	110	150	150	150	110	150	150
R4389	15	100	100	100	15	100	100
R4402	NM	1	1	NM	NM	1	1
R4408	NM	1	1	NM	NM	1	1
R4409	18k	22k	22k	22k	18k	22k	22k
R4410	10k	9.1k	9.1k	9.1k	10k	9.1k	9.1k
R4419	1k	1k	NM	1k	1k	1k	NM
R4421	15k	15k	NM	15k	15k	15k	NM
R4425	NM	ACN7094-A	ACN7094-A	NM	NM	ACN7094-A	ACN7094-A
R4426	NM	ACN7094-A	ACN7094-A	NM	NM	ACN7094-A	ACN7094-A
R4428	110	120	120	120	110	120	120
R4440	ACN7165-A	47	47	47	ACN7165-A	47	47
R4444	10k	12k	12k	12k	10k	12k	12k
R4449	8.2k	15k	15k	15k	8.2k	15k	15k
R4460	100	120	120	120	100	120	120
R4462	10k	12k	12k	12k	10k	12k	12k
R4475	100	120	120	120	100	120	120
R4480	110	150	150	150	110	150	150
R4482	1	10	10	10	1	10	10
R4483	0	10k	10k	10k	0	10k	10k
R4484	110	150	150	150	110	150	150
R4489	15	100	100	100	15	100	100
R4994	0	2.2	2.2	2.2	0	2.2	2.2
R4999	120k	120k	120k	120k	NM	NM	NM
R5118	22k	47k	47k	47k	22k	47k	47k
R5119	22k	47k	47k	47k	22k	47k	47k
IC4404	NJM12904V	NJM2732V	NJM2732V	NJM2732V	NJM12904V	NJM2732V	NJM2732V
D4301	NM	1S8355	1S8355	NM	NM	1S8355	1S8355
D4401	NM	1S8355	1S8355	NM	NM	1S8355	1S8355
U4301	AKE7109-A	AKE7110-A	AKE7109-A	AKE7110-A	AKE7109-A	AKE7110-A	AKE7109-A
Q4303	2SC4081 (QRS)	2SC4081 (QRS)	NM	2SC4081 (QRS)	2SC4081 (QRS)	2SC4081 (QRS)	NM
Q4403	2SC4081 (QRS)	2SC4081 (QRS)	NM	2SC4081 (QRS)	2SC4081 (QRS)	2SC4081 (QRS)	NM

6sht_2/7	awx1429	awx1430	awx1431	awx1432	awx1433	awx1434	awx1435
C4808	470u/16	470u/16	470u/16	470u/16	NM	NM	NM
C4809	470u/16	470u/16	470u/16	470u/16	NM	NM	NM
C4866	100u/16	100u/16	100u/16	100u/16	NM	NM	NM
C4867	100u/16	100u/16	100u/16	100u/16	NM	NM	NM
C4908	470u/16	470u/16	470u/16	470u/16	NM	NM	NM
C4909	470u/16	470u/16	470u/16	470u/16	NM	NM	NM
R4805	0	0	0	0	NM	NM	NM
R4806	0	0	0	0	NM	NM	NM
R4858	470k	470k	470k	470k	NM	NM	NM
R4871	4.7	4.7	4.7	4.7	NM	NM	NM
R4872	4.7	4.7	4.7	4.7	NM	NM	NM
R4883	0	10k	10k	10k	NM	NM	NM
R4891	NM	NM	NM	NM	NM	NM	NM
R4892	NM	NM	NM	NM	NM	NM	NM
R4905	0	0	0	0	NM	NM	NM
R4906	0	0	0	0	NM	NM	NM
R4958	470k	470k	470k	470k	NM	NM	NM
R4991	NM	NM	NM	NM	NM	NM	NM
R4992	NM	NM	NM	NM	NM	NM	NM

# R8/10 D-AMP\_S ASSY(8/10) (AWX1433)

6sht\_2/7

	awx1429	awx1430	awx1431	awx1432	awx1433	awx1434	awx1435
CN4800	KM2001B5	KM2001B5	KM2001B5	KM2001B5	NM	NM	NM
TP54	U TESTPOINT 1.2	U TESTPOINT 1.2	U TESTPOINT 1.2	U TESTPOINT 1.2	NM	NM	NM
TP362	U TESTPOINT 1.2	U TESTPOINT 1.2	U TESTPOINT 1.2	U TESTPOINT 1.2	NM	NM	NM
TP363	U TESTPOINT 1.2	U TESTPOINT 1.2	U TESTPOINT 1.2	U TESTPOINT 1.2	NM	NM	NM
TP371	U TESTPOINT 1.2	U TESTPOINT 1.2	U TESTPOINT 1.2	U TESTPOINT 1.2	NM	NM	NM
TP372	U TESTPOINT 1.2	U TESTPOINT 1.2	U TESTPOINT 1.2	U TESTPOINT 1.2	NM	NM	NM
TP499	U TESTPOINT 1.2	U TESTPOINT 1.2	U TESTPOINT 1.2	U TESTPOINT 1.2	NM	NM	NM
TP503	U TESTPOINT 1.2	U TESTPOINT 1.2	U TESTPOINT 1.2	U TESTPOINT 1.2	NM	NM	NM
TP504	U TESTPOINT 1.2	U TESTPOINT 1.2	U TESTPOINT 1.2	U TESTPOINT 1.2	NM	NM	NM

6sht\_1/7

	awx1429	awx1430	awx1431	awx1432	awx1433	awx1434	awx1435
C4849	ACH7359-A	ACH7359-A	ACH7359-A	ACH7359-A	NM	NM	NM
C4850	ACH7359-A	ACH7359-A	ACH7359-A	ACH7359-A	NM	NM	NM
C4851	NM	NM	NM	NM	NM	NM	NM
C4852	NM	NM	NM	NM	NM	NM	NM
C4853	NM	NM	NM	NM	NM	NM	NM
C4858	0.01u/50	0.01u/50	0.01u/50	0.01u/50	NM	NM	NM
C4949	ACH7359-A	ACH7359-A	ACH7359-A	ACH7359-A	NM	NM	NM
C4950	ACH7359-A	ACH7359-A	ACH7359-A	ACH7359-A	NM	NM	NM
C4951	NM	NM	NM	NM	NM	NM	NM
C4952	NM	NM	NM	NM	NM	NM	NM
C4953	NM	NM	NM	NM	NM	NM	NM
R4803	10k	10k	10k	10k	NM	NM	NM
R4810	10k	9.1k	9.1k	9.1k	NM	NM	NM
R4825	NM	ACN7094-A	ACN7094-A	NM	NM	NM	NM
R4826	NM	ACN7094-A	ACN7094-A	NM	NM	NM	NM
R4845	4.7k	4.7k	4.7k	4.7k	NM	NM	NM
R4863	2.7k	2.7k	2.7k	2.7k	NM	NM	NM
R4866	10k	10k	10k	10k	NM	NM	NM
R4867	1k	1k	1k	1k	NM	NM	NM
R4868	47k	47k	47k	47k	NM	NM	NM
R4869	39k	39k	39k	39k	NM	NM	NM
R4870	1k	1k	1k	1k	NM	NM	NM
R4875	100	120	120	120	NM	NM	NM
R4887	1M	1M	1M	1M	NM	NM	NM
R4888	1M	1M	1M	1M	NM	NM	NM
R4903	10k	10k	10k	10k	NM	NM	NM
R4910	10k	9.1k	9.1k	9.1k	NM	NM	NM
R4925	NM	ACN7094-A	ACN7094-A	NM	NM	NM	NM
R4926	NM	ACN7094-A	ACN7094-A	NM	NM	NM	NM
R4945	4.7k	4.7k	4.7k	4.7k	NM	NM	NM
R4963	2.7k	2.7k	2.7k	2.7k	NM	NM	NM
R4966	10k	10k	10k	10k	NM	NM	NM
R4967	1k	1k	1k	1k	NM	NM	NM
R4968	47k	47k	47k	47k	NM	NM	NM
R4969	39k	39k	39k	39k	NM	NM	NM
R4970	1k	1k	1k	1k	NM	NM	NM
R4987	1M	1M	1M	1M	NM	NM	NM
R4988	1M	1M	1M	1M	NM	NM	NM
R4881	NTCG104KF104FB	NTCG104KF104FB	NTCG104KF104FB	NTCG104KF104FB	NM	NM	NM
R4981	NTCG104KF104FB	NTCG104KF104FB	NTCG104KF104FB	NTCG104KF104FB	NM	NM	NM
1C4804	NJM12904V	NJM2732V	NJM2732V	NJM2732V	NM	NM	NM
Q4808	2SC4081(QRS)	2SC4081(QRS)	2SC4081(QRS)	2SC4081(QRS)	NM	NM	NM
Q4810	2SA1514K(RS)	2SA1514K(RS)	2SA1514K(RS)	2SA1514K(RS)	NM	NM	NM
Q4811	2SA1576A(QRS)	2SA1576A(QRS)	2SA1576A(QRS)	2SA1576A(QRS)	NM	NM	NM
Q4908	2SC4081(QRS)	2SC4081(QRS)	2SC4081(QRS)	2SC4081(QRS)	NM	NM	NM
Q4910	2SA1514K(RS)	2SA1514K(RS)	2SA1514K(RS)	2SA1514K(RS)	NM	NM	NM
Q4911	2SA1576A(QRS)	2SA1576A(QRS)	2SA1576A(QRS)	2SA1576A(QRS)	NM	NM	NM
TP376	U TESTPOINT 1.2	U TESTPOINT 1.2	U TESTPOINT 1.2	U TESTPOINT 1.2	NM	NM	NM
TP377	U TESTPOINT 1.2	U TESTPOINT 1.2	U TESTPOINT 1.2	U TESTPOINT 1.2	NM	NM	NM
TP379	U TESTPOINT 1.2	U TESTPOINT 1.2	U TESTPOINT 1.2	U TESTPOINT 1.2	NM	NM	NM
TP380	U TESTPOINT 1.2	U TESTPOINT 1.2	U TESTPOINT 1.2	U TESTPOINT 1.2	NM	NM	NM
TP398	U TESTPOINT 1.2	U TESTPOINT 1.2	U TESTPOINT 1.2	U TESTPOINT 1.2	NM	NM	NM
TP399	U TESTPOINT 1.2	U TESTPOINT 1.2	U TESTPOINT 1.2	U TESTPOINT 1.2	NM	NM	NM
TP400	U TESTPOINT 1.2	U TESTPOINT 1.2	U TESTPOINT 1.2	U TESTPOINT 1.2	NM	NM	NM
TP401	U TESTPOINT 1.2	U TESTPOINT 1.2	U TESTPOINT 1.2	U TESTPOINT 1.2	NM	NM	NM
TP402	U TESTPOINT 1.2	U TESTPOINT 1.2	U TESTPOINT 1.2	U TESTPOINT 1.2	NM	NM	NM
TP403	U TESTPOINT 1.2	U TESTPOINT 1.2	U TESTPOINT 1.2	U TESTPOINT 1.2	NM	NM	NM

# 10.40 D-AMP\_S ASSY (9/10)

6sht\_3/7

	awx1429	awx1430	awx1431	awx1432	awx1433	awx1434	awx1435
A	C4966	100u/16	100u/16	100u/16	100u/16	NM	NM
	C4967	100u/16	100u/16	100u/16	100u/16	NM	NM
	R4800	560	560	560	560	NM	NM
	R4847	1	1	1	1	NM	NM
	R4849	8.2k	15k	15k	15k	NM	NM
	R4859	100	100	100	100	NM	NM
	R4865	120k	120k	120k	120k	NM	NM
	R4876	1k	1k	1k	1k	NM	NM
	R4879	120k	120k	120k	120k	NM	NM
	R4882	1	10	10	10	NM	NM
	R4900	560	560	560	560	NM	NM
	R4948	3.9k	3.9k	3.9k	3.9k	NM	NM
	R4949	8.2k	15k	15k	15k	NM	NM
	R4959	100	100	100	100	NM	NM
	R4965	120k	120k	120k	120k	NM	NM
B	R4971	4.7	4.7	4.7	4.7	NM	NM
	R4972	4.7	4.7	4.7	4.7	NM	NM
	R4976	1k	1k	1k	1k	NM	NM
	R4979	120k	120k	120k	120k	NM	NM
	R4982	1	10	10	10	NM	NM
	R4983	0	10k	10k	10k	NM	NM
	R5121	1	1	1	1	NM	NM
	R5133	100k	100k	100k	100k	NM	NM
	R5134	33k	33k	33k	33k	NM	NM
	R5135	220k	220k	220k	220k	NM	NM
	R5136	220k	220k	220k	220k	NM	NM
	R5137	22k	47k	47k	47k	NM	NM
	R5138	22k	47k	47k	47k	NM	NM
	R5148	1	1	1	1	NM	NM
C	R5150	33k	33k	33k	33k	NM	NM
	R5156	1	1	1	1	NM	NM
	R5187	100k	100k	100k	100k	NM	NM
	R5188	220k	220k	220k	220k	NM	NM
	R5189	220k	220k	220k	220k	NM	NM
	Q4809	2SD2704K	2SD2704K	2SD2704K	2SD2704K	NM	NM
	Q4812	2SC2412K (QRS)	2SC2412K (QRS)	2SC2412K (QRS)	2SC2412K (QRS)	NM	NM
	Q4813	2SA1576A (QRS)	2SA1576A (QRS)	2SA1576A (QRS)	2SA1576A (QRS)	NM	NM
	Q4814	2SC2412K (QRS)	2SC2412K (QRS)	2SC2412K (QRS)	2SC2412K (QRS)	NM	NM
	Q4909	2SD2704K	2SD2704K	2SD2704K	2SD2704K	NM	NM
	Q4913	2SA1576A (QRS)	2SA1576A (QRS)	2SA1576A (QRS)	2SA1576A (QRS)	NM	NM
	Q5021	2SC2412K (QRS)	2SC2412K (QRS)	2SC2412K (QRS)	2SC2412K (QRS)	NM	NM
	Q5022	2SC2412K (QRS)	2SC2412K (QRS)	2SC2412K (QRS)	2SC2412K (QRS)	NM	NM
	TP364	U TESTPOINT 1.2	U TESTPOINT 1.2	U TESTPOINT 1.2	U TESTPOINT 1.2	NM	NM
	TP365	U TESTPOINT 1.2	U TESTPOINT 1.2	U TESTPOINT 1.2	U TESTPOINT 1.2	NM	NM
	TP366	U TESTPOINT 1.2	U TESTPOINT 1.2	U TESTPOINT 1.2	U TESTPOINT 1.2	NM	NM
	TP367	U TESTPOINT 1.2	U TESTPOINT 1.2	U TESTPOINT 1.2	U TESTPOINT 1.2	NM	NM
D	TP368	U TESTPOINT 1.2	U TESTPOINT 1.2	U TESTPOINT 1.2	U TESTPOINT 1.2	NM	NM

6sht\_4/7

	awx1429	awx1430	awx1431	awx1432	awx1433	awx1434	awx1435
	C4819	ACG7110-A	ACG7110-A	ACG7110-A	ACG7110-A	NM	NM
	C4820	1000p/50	1000p/50	1000p/50	1000p/50	NM	NM
	C4823	1000p/50	1000p/50	1000p/50	1000p/50	NM	NM
	C4919	ACG7110-A	ACG7110-A	ACG7110-A	ACG7110-A	NM	NM
	C4920	1000p/50	1000p/50	1000p/50	1000p/50	NM	NM
	C4923	1000p/50	1000p/50	1000p/50	1000p/50	NM	NM
	C4924	NM	NM	NM	NM	NM	NM
	R4801	2.7k	2.7k	2.7k	2.7k	NM	NM
	R4815	ACN7192-A	ACN7192-A	ACN7192-A	ACN7192-A	NM	NM
	R4816	ACN7198-A	ACN7198-A	ACN7198-A	ACN7198-A	NM	NM
	R4819	1k	1k	NM	1k	NM	NM
	R4820	1k	1k	1k	1k	NM	NM
	R4828	110	120	120	120	NM	NM
	R4848	3.9k	3.9k	3.9k	3.9k	NM	NM
	R4850	220	220	220	220	NM	NM
	R4851	22k	22k	22k	22k	NM	NM
	R4878	ACN7198-A	ACN7198-A	ACN7198-A	ACN7198-A	NM	NM
	R4901	2.7k	2.7k	2.7k	2.7k	NM	NM
	R4915	ACN7192-A	ACN7192-A	ACN7192-A	ACN7192-A	NM	NM
	R4916	ACN7198-A	ACN7198-A	ACN7198-A	ACN7198-A	NM	NM
	R4919	1k	1k	NM	1k	NM	NM
	R4920	1k	1k	1k	1k	NM	NM
	R4921	15k	15k	NM	15k	NM	NM
	R4924	100k	100k	100k	100k	NM	NM
	R4950	220	220	220	220	NM	NM
	R4978	ACN7198-A	ACN7198-A	ACN7198-A	ACN7198-A	NM	NM
	Q4903	2SC4081 (QRS)	2SC4081 (QRS)	NM	2SC4081 (QRS)	NM	NM

# R9/10 D-AMP\_S ASSY(9/10) (AWX1433)

**SshT\_4/7**

	awx1429	awx1430	awx1431	awx1432	awx1433	awx1434	awx1435
TP240	U TESTPOINT 1.2	U TESTPOINT 1.2	U TESTPOINT 1.2	U TESTPOINT 1.2	NM	NM	NM
TP245	U TESTPOINT 1.2	U TESTPOINT 1.2	U TESTPOINT 1.2	U TESTPOINT 1.2	NM	NM	NM
TP461	U TESTPOINT 1.2	U TESTPOINT 1.2	U TESTPOINT 1.2	U TESTPOINT 1.2	NM	NM	NM
TP525	U TESTPOINT 1.2	U TESTPOINT 1.2	U TESTPOINT 1.2	U TESTPOINT 1.2	NM	NM	NM

**SshT\_5/7**

	awx1429	awx1430	awx1431	awx1432	awx1433	awx1434	awx1435
C4805	1000p/50	1000p/50	1000p/50	1000p/50	NM	NM	NM
C4811	0.01u/16	0.01u/16	0.01u/16	0.01u/16	NM	NM	NM
C4812	1.0u/50	1.0u/50	1.0u/50	1.0u/50	NM	NM	NM
C4813	0.1u/50	0.1u/50	0.1u/50	0.1u/50	NM	NM	NM
C4821	0.01u/16	0.01u/16	0.01u/16	0.01u/16	NM	NM	NM
C4822	0.01u/16	0.01u/16	0.01u/16	0.01u/16	NM	NM	NM
C4848	NM	NM	NM	NM	NM	NM	NM
C4905	1000p/50	1000p/50	1000p/50	1000p/50	NM	NM	NM
C4911	0.01u/16	0.01u/16	0.01u/16	0.01u/16	NM	NM	NM
C4912	1.0u/50	1.0u/50	1.0u/50	1.0u/50	NM	NM	NM
C4913	0.1u/50	0.1u/50	0.1u/50	0.1u/50	NM	NM	NM
C4921	0.01u/16	0.01u/16	0.01u/16	0.01u/16	NM	NM	NM
C4922	0.01u/16	0.01u/16	0.01u/16	0.01u/16	NM	NM	NM
C4948	NM	NM	NM	NM	NM	NM	NM
C4825	1M	1M	1M	1M	NM	NM	NM
C4826	2.4k	2.4k	2.4k	2.4k	NM	NM	NM
C4925	1M	1M	1M	1M	NM	NM	NM
C4926	2.4k	2.4k	2.4k	2.4k	NM	NM	NM
R4804	NM	NM	NM	NM	NM	NM	NM
R4809	18k	22k	22k	22k	NM	NM	NM
R4821	15k	15k	NM	15k	NM	NM	NM
R4827	100k	100k	100k	100k	NM	NM	NM
R4829	1.8k	1.8k	1.8k	1.8k	NM	NM	NM
R4830	10k	10k	10k	10k	NM	NM	NM
R4831	7.5k	7.5k	7.5k	7.5k	NM	NM	NM
R4840	ACN7165-A	47	47	47	NM	NM	NM
R4844	10k	12k	12k	12k	NM	NM	NM
R4860	100	120	120	120	NM	NM	NM
R4862	10k	12k	12k	12k	NM	NM	NM
R4877	ACN7197-A	ACN7197-A	ACN7197-A	ACN7197-A	NM	NM	NM
R4880	110	150	150	150	NM	NM	NM
R4884	110	150	150	150	NM	NM	NM
R4885	100k	100k	100k	100k	NM	NM	NM
R4889	15	100	100	100	NM	NM	NM
R4890	12	12	12	12	NM	NM	NM
R4904	NM	NM	NM	NM	NM	NM	NM
R4909	18k	22k	22k	22k	NM	NM	NM
R4927	100k	100k	100k	100k	NM	NM	NM
R4928	110	120	120	120	NM	NM	NM
R4929	1.8k	1.8k	1.8k	1.8k	NM	NM	NM
R4930	10k	10k	10k	10k	NM	NM	NM
R4931	7.5k	7.5k	7.5k	7.5k	NM	NM	NM
R4940	ACN7165-A	47	47	47	NM	NM	NM
R4944	10k	12k	12k	12k	NM	NM	NM
R4960	100	120	120	120	NM	NM	NM
R4962	10k	12k	12k	12k	NM	NM	NM
R4977	ACN7197-A	ACN7197-A	ACN7197-A	ACN7197-A	NM	NM	NM
R4980	110	150	150	150	NM	NM	NM
R4984	110	150	150	150	NM	NM	NM
R4985	100k	100k	100k	100k	NM	NM	NM
R4989	15	100	100	100	NM	NM	NM
R4990	12	12	12	12	NM	NM	NM
IC4801	IRS2092SPBF	IRS2092SPBF	IRS2092SPBF	IRS2092SPBF	NM	NM	NM
IC4803	NJM2830U1-12	NJM2830U1-12	NJM2830U1-12	NJM2830U1-12	NM	NM	NM
IC4901	IRS2092SPBF	IRS2092SPBF	IRS2092SPBF	IRS2092SPBF	NM	NM	NM
IC4902	NJM2830U1-12	NJM2830U1-12	NJM2830U1-12	NJM2830U1-12	NM	NM	NM
Q4805	2SC4081 (QRS)	2SC4081 (QRS)	2SC4081 (QRS)	2SC4081 (QRS)	NM	NM	NM
Q4806	2SA1576A (QRS)	2SA1576A (QRS)	2SA1576A (QRS)	2SA1576A (QRS)	NM	NM	NM
Q4807	2SA1576A (QRS)	2SA1576A (QRS)	2SA1576A (QRS)	2SA1576A (QRS)	NM	NM	NM
Q4905	2SC4081 (QRS)	2SC4081 (QRS)	2SC4081 (QRS)	2SC4081 (QRS)	NM	NM	NM
Q4907	2SA1576A (QRS)	2SA1576A (QRS)	2SA1576A (QRS)	2SA1576A (QRS)	NM	NM	NM
TP255	U TESTPOINT 1.2	U TESTPOINT 1.2	U TESTPOINT 1.2	U TESTPOINT 1.2	NM	NM	NM
TP272	U TESTPOINT 1.2	U TESTPOINT 1.2	U TESTPOINT 1.2	U TESTPOINT 1.2	NM	NM	NM
TP425	U TESTPOINT 1.2	U TESTPOINT 1.2	U TESTPOINT 1.2	U TESTPOINT 1.2	NM	NM	NM
TP429	U TESTPOINT 1.2	U TESTPOINT 1.2	U TESTPOINT 1.2	U TESTPOINT 1.2	NM	NM	NM
TP434	U TESTPOINT 1.2	U TESTPOINT 1.2	U TESTPOINT 1.2	U TESTPOINT 1.2	NM	NM	NM
TP442	U TESTPOINT 1.2	U TESTPOINT 1.2	U TESTPOINT 1.2	U TESTPOINT 1.2	NM	NM	NM
TP533	U TESTPOINT 1.2	U TESTPOINT 1.2	U TESTPOINT 1.2	U TESTPOINT 1.2	NM	NM	NM
TP534	U TESTPOINT 1.2	U TESTPOINT 1.2	U TESTPOINT 1.2	U TESTPOINT 1.2	NM	NM	NM

# 10.41 D-AMP\_S ASSY (10/10)

Psht_7/7	awx1429	awx1430	awx1431	awx1432	awx1433	awx1434	awx1435
C4800	0.1u/100	0.1u/100	0.1u/100	0.1u/100	NM	NM	NM
C4801	0.47u/100	0.47u/100	0.47u/100	0.47u/100	NM	NM	NM
C4856	0.047u/50	0.047u/50	0.047u/50	0.047u/50	NM	NM	NM
C4857	NM	NM	NM	NM	NM	NM	NM
C4879	NM	NM	NM	NM	NM	NM	NM
C4880	ACE7090-A	ACE7090-A	ACE7090-A	ACE7090-A	NM	NM	NM
C4881	NM	NM	NM	NM	NM	NM	NM
C4882	ACE7090-A	ACE7090-A	ACE7090-A	ACE7090-A	NM	NM	NM
C4900	0.1u/100	0.1u/100	0.1u/100	0.1u/100	NM	NM	NM
C4901	0.47u/100	0.47u/100	0.47u/100	0.47u/100	NM	NM	NM
C4910	10u/50	10u/50	10u/50	10u/50	NM	NM	NM
C4956	0.047u/50	0.047u/50	0.047u/50	0.047u/50	NM	NM	NM
C4957	NM	NM	NM	NM	NM	NM	NM
C4979	NM	NM	NM	NM	NM	NM	NM
C4980	ACE7090-A	ACE7090-A	ACE7090-A	ACE7090-A	NM	NM	NM
C4981	NM	NM	NM	NM	NM	NM	NM
C4982	ACE7090-A	ACE7090-A	ACE7090-A	ACE7090-A	NM	NM	NM
R4807	1M	1M	1M	1M	O	O	O
R4811	2.2	2.2	2.2	2.2	NM	NM	NM
R4812	2.2	2.2	2.2	2.2	NM	NM	NM
R4813	2.2	2.2	2.2	2.2	NM	NM	NM
R4814	2.2	2.2	2.2	2.2	NM	NM	NM
R4822	ACN7196-A	ACN7196-A	ACN7196-A	ACN7196-A	O	O	O
R4823	ACN7196-A	ACN7196-A	ACN7196-A	ACN7196-A	NM	NM	NM
R4852	68k	68k	68k	68k	NM	NM	NM
R4853	22k	22k	22k	22k	NM	NM	NM
R4854	ACN7186-A	ACN7186-A	ACN7186-A	ACN7186-A	NM	NM	NM
R4855	47k	47k	47k	47k	NM	NM	NM
R4856	8.2k	8.2k	8.2k	8.2k	NM	NM	NM
R4857	68k	68k	68k	68k	NM	NM	NM
R4907	1M	1M	1M	1M	O	O	O
R4911	2.2	2.2	2.2	2.2	NM	NM	NM
R4912	2.2	2.2	2.2	2.2	NM	NM	NM
R4913	2.2	2.2	2.2	2.2	NM	NM	NM
R4914	2.2	2.2	2.2	2.2	NM	NM	NM
R4922	ACN7196-A	ACN7196-A	ACN7196-A	ACN7196-A	O	O	O
R4923	ACN7196-A	ACN7196-A	ACN7196-A	ACN7196-A	NM	NM	NM
R4952	68k	68k	68k	68k	NM	NM	NM
R4953	22k	22k	22k	22k	NM	NM	NM
R4954	ACN7186-A	ACN7186-A	ACN7186-A	ACN7186-A	NM	NM	NM
R4955	47k	47k	47k	47k	NM	NM	NM
R4956	8.2k	8.2k	8.2k	8.2k	NM	NM	NM
R4957	68k	68k	68k	68k	NM	NM	NM
R4961	0	0	0	0	NM	NM	NM
R4973	39	39	39	39	NM	NM	NM
R4974	47	47	47	47	NM	NM	NM
R4975	10	10	10	10	NM	NM	NM
L4800	ATH7090-A	ATH7090-A	ATH7090-A	ATH7090-A	NM	NM	NM
L4900	ATH7090-A	ATH7090-A	ATH7090-A	ATH7090-A	NM	NM	NM
D4808	RF101L2S	RF101L2S	RF101L2S	RF101L2S	NM	NM	NM
D4809	RF101L2S	RF101L2S	RF101L2S	RF101L2S	NM	NM	NM
D4819	1S8355	1S8355	1S8355	1S8355	NM	NM	NM
D4908	RF101L2S	RF101L2S	RF101L2S	RF101L2S	NM	NM	NM
D4909	RF101L2S	RF101L2S	RF101L2S	RF101L2S	NM	NM	NM
D4919	1S8355	1S8355	1S8355	1S8355	NM	NM	NM
JA4901	AKE7109-A	AKE7110-A	AKE7109-A	AKE7110-A	NM	NM	NM
KN4900	VNE1948-A	VNE1948-A	VNE1948-A	VNE1948-A	NM	NM	NM
Q4804	2SC4081(QRS)	2SC4081(QRS)	2SC4081(QRS)	2SC4081(QRS)	NM	NM	NM
Q4904	2SC4081(QRS)	2SC4081(QRS)	2SC4081(QRS)	2SC4081(QRS)	NM	NM	NM
Q4912	2SC2412K(QRS)	2SC2412K(QRS)	2SC2412K(QRS)	2SC2412K(QRS)	NM	NM	NM
RY4900	XSR3015-B	XSR3015-B	XSR3015-B	XSR3015-B	NM	NM	NM
TP369	U TESTPOINT 1.2	U TESTPOINT 1.2	U TESTPOINT 1.2	U TESTPOINT 1.2	NM	NM	NM
TP370	U TESTPOINT 1.2	U TESTPOINT 1.2	U TESTPOINT 1.2	U TESTPOINT 1.2	NM	NM	NM
TP375	U TESTPOINT 1.2	U TESTPOINT 1.2	U TESTPOINT 1.2	U TESTPOINT 1.2	NM	NM	NM
TP382	U TESTPOINT 1.2	U TESTPOINT 1.2	U TESTPOINT 1.2	U TESTPOINT 1.2	NM	NM	NM
TP383	U TESTPOINT 1.2	U TESTPOINT 1.2	U TESTPOINT 1.2	U TESTPOINT 1.2	NM	NM	NM
TP384	U TESTPOINT 1.2	U TESTPOINT 1.2	U TESTPOINT 1.2	U TESTPOINT 1.2	NM	NM	NM
TP385	U TESTPOINT 1.2	U TESTPOINT 1.2	U TESTPOINT 1.2	U TESTPOINT 1.2	NM	NM	NM
TP386	U TESTPOINT 1.2	U TESTPOINT 1.2	U TESTPOINT 1.2	U TESTPOINT 1.2	NM	NM	NM
TP387	U TESTPOINT 1.2	U TESTPOINT 1.2	U TESTPOINT 1.2	U TESTPOINT 1.2	NM	NM	NM
TP388	U TESTPOINT 1.2	U TESTPOINT 1.2	U TESTPOINT 1.2	U TESTPOINT 1.2	NM	NM	NM
TP389	U TESTPOINT 1.2	U TESTPOINT 1.2	U TESTPOINT 1.2	U TESTPOINT 1.2	NM	NM	NM
TP390	U TESTPOINT 1.2	U TESTPOINT 1.2	U TESTPOINT 1.2	U TESTPOINT 1.2	NM	NM	NM
TP392	U TESTPOINT 1.2	U TESTPOINT 1.2	U TESTPOINT 1.2	U TESTPOINT 1.2	NM	NM	NM
TP394	U TESTPOINT 1.2	U TESTPOINT 1.2	U TESTPOINT 1.2	U TESTPOINT 1.2	NM	NM	NM
TP395	U TESTPOINT 1.2	U TESTPOINT 1.2	U TESTPOINT 1.2	U TESTPOINT 1.2	NM	NM	NM
TP396	U TESTPOINT 1.2	U TESTPOINT 1.2	U TESTPOINT 1.2	U TESTPOINT 1.2	NM	NM	NM
TP397	U TESTPOINT 1.2	U TESTPOINT 1.2	U TESTPOINT 1.2	U TESTPOINT 1.2	NM	NM	NM

# R10/10 D-AMP\_S ASSY(10/10) (AWX1433)

6sh\_6/7

	awx1429	awx1430	awx1431	awx1432	awx1433	awx1434	awx1435
C4834	ACH7376-A	ACH7376-A	ACH7376-A	ACH7376-A	NM	NM	NM
C4836	ACH7376-A	ACH7376-A	ACH7376-A	ACH7376-A	NM	NM	NM
C4847	NM	NM	NM	NM	NM	NM	NM
C4859	ACG7107-A	ACG7107-A	ACG7107-A	ACG7107-A	NM	NM	NM
C4860	ACG7107-A	ACG7107-A	ACG7107-A	ACG7107-A	NM	NM	NM
C4861	ACG7105-A	ACG7105-A	ACG7105-A	ACG7105-A	NM	NM	NM
C4875	ACG7105-A	ACG7105-A	ACG7105-A	ACG7105-A	NM	NM	NM
C4934	ACH7376-A	ACH7376-A	ACH7376-A	ACH7376-A	NM	NM	NM
C4936	ACH7376-A	ACH7376-A	ACH7376-A	ACH7376-A	NM	NM	NM
C4947	NM	NM	NM	NM	NM	NM	NM
C4959	ACG7107-A	ACG7107-A	ACG7107-A	ACG7107-A	NM	NM	NM
C4960	ACG7107-A	ACG7107-A	ACG7107-A	ACG7107-A	NM	NM	NM
C4961	ACG7105-A	ACG7105-A	ACG7105-A	ACG7105-A	NM	NM	NM
C4975	ACG7105-A	ACG7105-A	ACG7105-A	ACG7105-A	NM	NM	NM
R4802	NM	1	1	NM	NM	NM	NM
R4808	NM	1	1	NM	NM	NM	NM
R4832	8.2k	8.2k	8.2k	8.2k	NM	NM	NM
R4833	ACN7197-A	ACN7197-A	ACN7197-A	ACN7197-A	NM	NM	NM
R4834	10k	10k	10k	10k	NM	NM	NM
R4835	7.5k	7.5k	7.5k	7.5k	NM	NM	NM
R4836	2.4k	2.4k	2.4k	2.4k	NM	NM	NM
R4837	ACN7165-A	ACN7165-A	ACN7165-A	ACN7165-A	NM	NM	NM
R4839	10	10	10	10	NM	NM	NM
R4841	ACN7165-A	ACN7165-A	ACN7165-A	ACN7165-A	NM	NM	NM
R4842	ACN7189-B	ACN7189-B	ACN7189-B	ACN7189-B	NM	NM	NM
R4843	ACN7189-B	ACN7189-B	ACN7189-B	ACN7189-B	NM	NM	NM
R4886	0.47	0.47	0.47	0.47	NM	NM	NM
R4895	0.47	0.47	0.47	0.47	NM	NM	NM
R4896	0.47	0.47	0.47	0.47	NM	NM	NM
R4897	0.47	0.47	0.47	0.47	NM	NM	NM
R4898	0.47	0.47	0.47	0.47	NM	NM	NM
R4902	NM	1	1	NM	NM	NM	NM
R4908	NM	1	1	NM	NM	NM	NM
R4932	8.2k	8.2k	8.2k	8.2k	NM	NM	NM
R4933	ACN7197-A	ACN7197-A	ACN7197-A	ACN7197-A	NM	NM	NM
R4934	10k	10k	10k	10k	NM	NM	NM
R4935	7.5k	7.5k	7.5k	7.5k	NM	NM	NM
R4936	2.4k	2.4k	2.4k	2.4k	NM	NM	NM
R4937	ACN7165-A	ACN7165-A	ACN7165-A	ACN7165-A	NM	NM	NM
R4939	10	10	10	10	NM	NM	NM
R4941	ACN7165-A	ACN7165-A	ACN7165-A	ACN7165-A	NM	NM	NM
R4942	ACN7189-B	ACN7189-B	ACN7189-B	ACN7189-B	NM	NM	NM
R4943	ACN7189-B	ACN7189-B	ACN7189-B	ACN7189-B	NM	NM	NM
R4986	0.47	0.47	0.47	0.47	NM	NM	NM
R4995	0.47	0.47	0.47	0.47	NM	NM	NM
R4996	0.47	0.47	0.47	0.47	NM	NM	NM
R4997	0.47	0.47	0.47	0.47	NM	NM	NM
R4998	0.47	0.47	0.47	0.47	NM	NM	NM
D4801	NM	1S8355	1S8355	NM	NM	NM	NM
D4817	RF071M2S	RF071M2S	RF071M2S	RF071M2S	NM	NM	NM
D4901	NM	1S8355	1S8355	NM	NM	NM	NM
D4917	RF071M2S	RF071M2S	RF071M2S	RF071M2S	NM	NM	NM
Q4801	IRF6775MPBF	IRF6775MPBF	IRF6775MPBF	IRF6775MPBF	NM	NM	NM
Q4802	IRF6775MPBF	IRF6775MPBF	IRF6775MPBF	IRF6775MPBF	NM	NM	NM
Q4901	IRF6775MPBF	IRF6775MPBF	IRF6775MPBF	IRF6775MPBF	NM	NM	NM
Q4902	IRF6775MPBF	IRF6775MPBF	IRF6775MPBF	IRF6775MPBF	NM	NM	NM
TP282	U TESTPOINT 1.2	U TESTPOINT 1.2	U TESTPOINT 1.2	U TESTPOINT 1.2	NM	NM	NM
TP287	U TESTPOINT 1.2	U TESTPOINT 1.2	U TESTPOINT 1.2	U TESTPOINT 1.2	NM	NM	NM
TP292	U TESTPOINT 1.2	U TESTPOINT 1.2	U TESTPOINT 1.2	U TESTPOINT 1.2	NM	NM	NM
TP297	U TESTPOINT 1.2	U TESTPOINT 1.2	U TESTPOINT 1.2	U TESTPOINT 1.2	NM	NM	NM
TP307	U TESTPOINT 1.2	U TESTPOINT 1.2	U TESTPOINT 1.2	U TESTPOINT 1.2	NM	NM	NM
TP315	U TESTPOINT 1.2	U TESTPOINT 1.2	U TESTPOINT 1.2	U TESTPOINT 1.2	NM	NM	NM
TP319	U TESTPOINT 1.2	U TESTPOINT 1.2	U TESTPOINT 1.2	U TESTPOINT 1.2	NM	NM	NM
TP323	U TESTPOINT 1.2	U TESTPOINT 1.2	U TESTPOINT 1.2	U TESTPOINT 1.2	NM	NM	NM
TP327	U TESTPOINT 1.2	U TESTPOINT 1.2	U TESTPOINT 1.2	U TESTPOINT 1.2	NM	NM	NM
TP331	U TESTPOINT 1.2	U TESTPOINT 1.2	U TESTPOINT 1.2	U TESTPOINT 1.2	NM	NM	NM

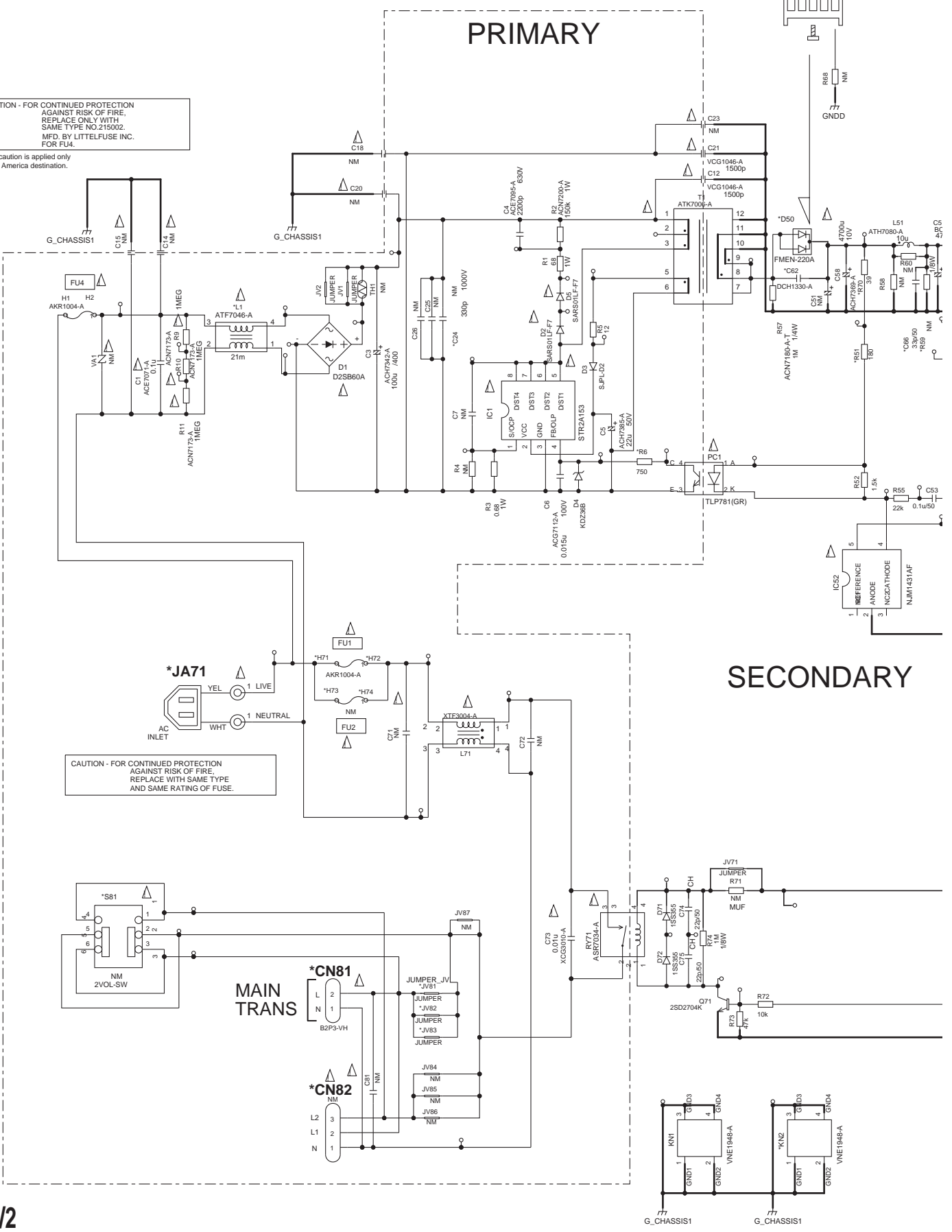
# 10.42 PRIMARY ASSY (1/2)

1 2 3 4

A  
B  
C  
D  
E  
F

CAUTION - FOR CONTINUED PROTECTION AGAINST RISK OF FIRE, REPLACE ONLY WITH SAME TYPE NO.215002. MFD. BY LITTELFUSE INC. FOR FU4.  
This caution is applied only north America destination.

Heat Sink for D50 ANH7224-A with BEZ-30P080FCC



CAUTION - FOR CONTINUED PROTECTION AGAINST RISK OF FIRE, REPLACE WITH SAME TYPE AND SAME RATING OF FUSE.

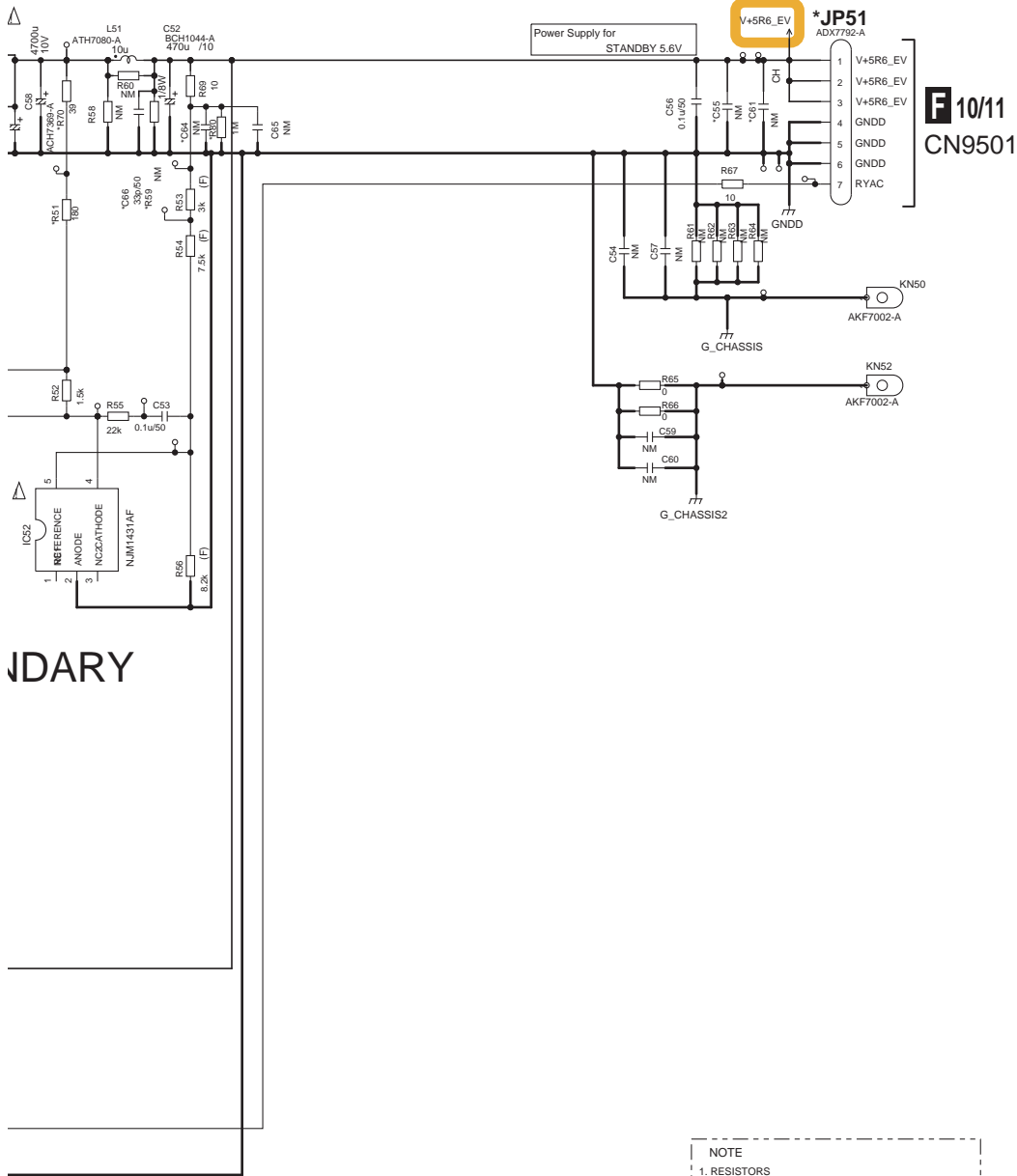
MAIN TRANS

SECONDARY

1 2 3 4



# S1/2 PRIMARY ASSY(1/2) (AWX1460)



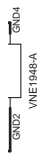
PRIMARY

**NOTE**

1. RESISTORS  
Unit: k-k Ω, M-M Ω or Ω unless otherwise noted.  
Rated Power: 1/10w unless otherwise noted.  
Tolerance: (J)5% unless otherwise noted.  
MUF: RD14MUF

2. CAPACITORS  
Unit: p-pF or u-uF unless otherwise noted.  
Ratings: Capacity(F)/Voltage(V) unless otherwise noted.  
CH: CCSRCH, CFTLA: CFTLA  
AK: CEAK  
NO MARKED: CKSRYB or CEAT  
3. NM: No Mount

The  $\Delta$  mark found on some component parts should be replaced with same parts (safety regulation authorized) of identical designation.



# 10.43 PRIMARY ASSY (2/2)

A

B

C

D

E

F

	AWX1394	AWX1447	AWX1448	AWX1449	AWX1450	AWX1451	AWX1614	AWX1615	AWX1466	AWX1616	AWX1617	AWX1
C24	NM	NM	NM	NM	NM	NM	NM	NM	NM	NM	NM	NM
C55	330p/50	NM	NM	NM	NM	NM	330p/50	NM	NM	NM	NM	NM
C61	10p/50	10p/50	10p/50	10p/50	10p/50	10p/50	10p/50	NM	NM	NM	NM	NM
C62	NM	DCH1330-A	DCH1330-A	DCH1330-A	DCH1330-A	DCH1330-A	NM	DCH1330-A	DCH1330-A	DCH1330-A	DCH1330-A	DCH133
C64	NM	NM	NM	NM	NM	NM	NM	NM	NM	NM	NM	NM
C66	NM	33p/50	33p/50	33p/50	33p/50	33p/50	NM	33p/50	33p/50	33p/50	33p/50	33p/50
R6	470	1k	1k	1k	1k	1k	470	750	750	750	750	750
R51	220	180	180	180	180	180	220	180	180	180	180	180
R59	3.6M	NM	NM	NM	NM	NM	3.6M	NM	NM	NM	NM	NM
R70	0	39	39	39	39	39	0	39	39	39	39	39
R80	NM	1M	1M	1M	1M	1M	NM	1M	1M	1M	1M	1M
L1	ATF7046-A Δ	ATF7050-A Δ	ATF7046-A Δ	ATF7050-A Δ	ATF7046-A Δ	ATF7050-A Δ	ATF7046-A Δ	ATF7050-A Δ	ATF7046-A Δ	ATF7050-A Δ	ATF7046-A Δ	ATF705
CN81	B2P3-VH Δ	NM	B2P3-VH Δ	NM	NM	NM	B2P3-VH Δ	NM	B2P3-VH Δ	NM	NM	NM
CN82	NM	B3P5-VH Δ	NM	B3P5-VH Δ	B3P5-VH Δ	B3P5-VH Δ	NM	B3P5-VH Δ	NM	B3P5-VH Δ	B3P5-VH Δ	B3P5-V
D50	FMW-2206	FMEN-220A	FMEN-220A	FMEN-220A	FMEN-220A	FMEN-220A	FMEN-220A	FMEN-220A	FMEN-220A	FMEN-220A	FMEN-220A	FMEN-2
H71	AKR1004-A	AKR1004-A	NM	AKR1004-A	AKR1004-A	AKR1004-A	AKR1004-A	AKR1004-A	AKR1004-A	AKR1004-A	AKR1004-A	AKR100
H72	AKR1004-A	AKR1004-A	NM	AKR1004-A	AKR1004-A	AKR1004-A	AKR1004-A	AKR1004-A	AKR1004-A	AKR1004-A	AKR1004-A	AKR100
H73	NM	NM	AKR7004-A	NM	NM	NM	NM	NM	NM	NM	NM	NM
H74	NM	NM	AKR7004-A	NM	NM	NM	NM	NM	NM	NM	NM	NM
JA71	ADX7513-A Δ	ADX7513-A Δ	ADX7513-A Δ	ADX7513-A Δ	ADX7513-A Δ	ADX7464-B Δ	ADX7513-A Δ	ADX7513-A Δ	ADX7513-A Δ	ADX7513-A Δ	ADX7513-A Δ	ADX746
JA71 1	ADX7513-A Δ	ADX7513-A Δ	ADX7513-A Δ	ADX7513-A Δ	ADX7513-A Δ	ADX7464-B Δ	ADX7513-A Δ	ADX7513-A Δ	ADX7513-A Δ	ADX7513-A Δ	ADX7513-A Δ	ADX746
JP51	ADX7812-A	ADX7812-A	ADX7812-A	ADX7812-A	ADX7812-A	ADX7812-A	ADX7812-A	ADX7812-A	ADX7812-A	ADX7812-A	ADX7812-A	ADX781
JV81	JUMPER	JUMPER	JUMPER	NM	JUMPER	JUMPER	JUMPER	JUMPER	JUMPER	NM	JUMPER	JUMPER
JV82	JUMPER	JUMPER	JUMPER	NM	JUMPER	JUMPER	JUMPER	JUMPER	JUMPER	NM	JUMPER	JUMPER
JV83	JUMPER	JUMPER	JUMPER	NM	JUMPER	JUMPER	JUMPER	JUMPER	JUMPER	NM	JUMPER	JUMPER
KN2	VNE1948-A	VNE1948-A	VNE1948-A	NM	VNE1948-A	VNE1948-A	VNE1948-A	VNE1948-A	VNE1948-A	NM	VNE1948-A	VNE194
S81	NM	NM	NM	AKX7020-A Δ	NM	NM	NM	NM	NM	AKX7020-A Δ	NM	NM

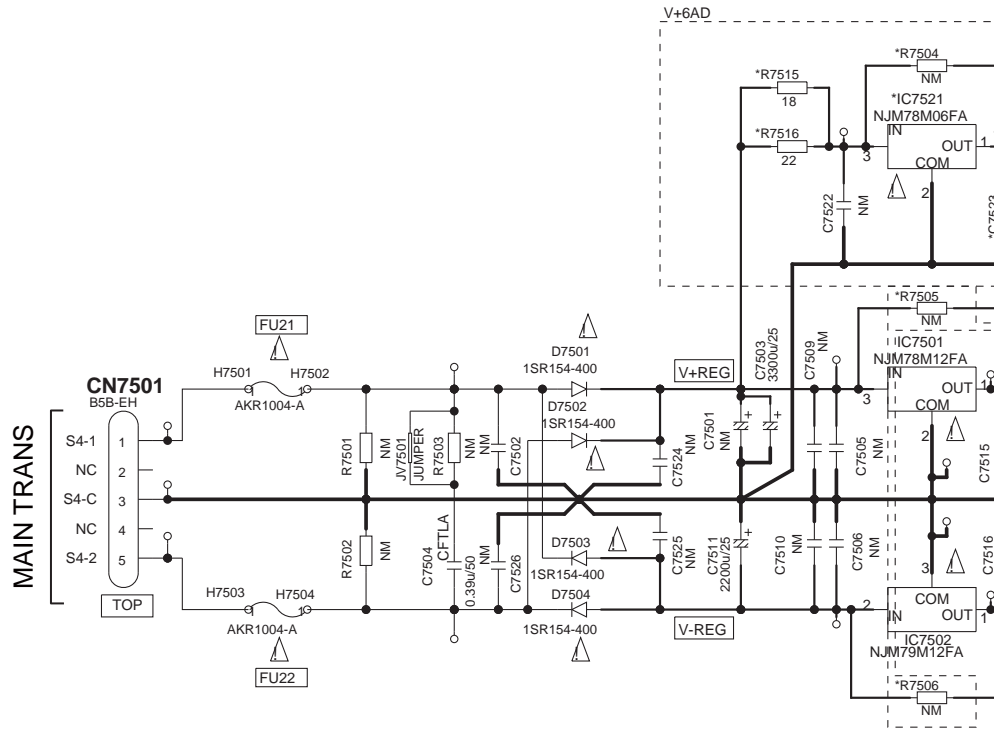
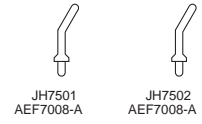
# S<sup>2/2</sup> PRIMARY ASSY(2/2) (AWX1460)

AWX1617	AWX1618	AWX1460	AWX1461	AWX1467	AWX1640	AWX1641	AWX1468	AWX1469
NM	NM	NM	NM	NM	NM	NM	NM	ACG7106-A
NM	NM	330p/50	330p/50	NM	330p/50	330p/50	330p/50	330p/50
NM	NM	10p/50	10p/50	NM	10p/50	10p/50	10p/50	10p/50
DCH1330-A	DCH1330-A	NM	NM	DCH1330-A	NM	NM	NM	NM
NM	NM	NM	NM	NM	NM	NM	NM	NM
33p/50	33p/50	NM	33p/50	33p/50	NM	NM	NM	NM
750	750	470	470	750	470	470	470	470
180	180	220	220	180	220	220	220	220
NM	NM	3.6M	NM	NM	3.6M	3.6M	3.6M	3.6M
39	39	0	0	39	0	0	0	0
1M	1M	NM	1M	1M	NM	NM	NM	NM
ATF7046-A Δ	ATF7050-A Δ	ATF7046-A Δ	ATF7050-A Δ	ATF7046-A Δ	ATF7046-A Δ	ATF7050-A Δ	ATF7050-A Δ	ATF7050-A Δ
NM	NM	B2P3-VH Δ	NM	B2P3-VH Δ	B2P3-VH Δ	NM	NM	NM
B3P5-VH Δ	B3P5-VH Δ	NM	B3P5-VH Δ	NM	NM	B3P5-VH Δ	B3P5-VH Δ	B3P5-VH Δ
FMEN-220A	FMEN-220A	FMEN-220A	FMEN-220A	FMEN-220A	FMEN-220A	FMEN-220A	FMEN-220A	FMEN-220A
AKR1004-A	AKR1004-A	AKR1004-A	AKR1004-A	AKR1004-A	AKR1004-A	AKR1004-A	AKR1004-A	AKR1004-A
AKR1004-A	AKR1004-A	AKR1004-A	AKR1004-A	AKR1004-A	AKR1004-A	AKR1004-A	AKR1004-A	AKR1004-A
NM	NM	NM	NM	NM	NM	NM	NM	NM
NM	NM	NM	NM	NM	NM	NM	NM	NM
ADX7513-A Δ	ADX7464-B Δ	ADX7513-A Δ	ADX7513-A Δ	ADX7513-A Δ	ADX7513-A Δ	ADX7513-A Δ	ADX7513-A Δ	ADX7464-B Δ
Δ ADX7513-A Δ	Δ ADX7464-B Δ	Δ ADX7513-A Δ	Δ ADX7513-A Δ	Δ ADX7513-A Δ	Δ ADX7513-A Δ	Δ ADX7513-A Δ	Δ ADX7513-A Δ	Δ ADX7464-B Δ
ADX7812-A	ADX7812-A	ADX7792-A	ADX7792-A	ADX7792-A	ADX7792-A	ADX7792-A	ADX7792-A	ADX7792-A
JUMPER	JUMPER	JUMPER	JUMPER	JUMPER	JUMPER	JUMPER	NM	JUMPER
JUMPER	JUMPER	JUMPER	JUMPER	JUMPER	JUMPER	JUMPER	NM	JUMPER
JUMPER	JUMPER	JUMPER	JUMPER	JUMPER	JUMPER	JUMPER	NM	JUMPER
VNE1948-A	VNE1948-A	VNE1948-A	VNE1948-A	VNE1948-A	VNE1948-A	VNE1948-A	NM	VNE1948-A
Δ NM	NM	NM	NM	NM	NM	NM	AKX7020-A Δ	NM

**NOTE**  
1. RESISTORS  
Unit: kΩ, MΩ or Ω unless otherwise noted.  
Rated Power: 1/10w unless otherwise noted.  
Tolerance: (J)5% unless otherwise noted.  
MUF: RD14MUF  
2. CAPACITORS  
Unit: p-pF or u-uF unless otherwise noted.  
Ratings: Capacity(F)/Voltage(V) unless otherwise noted.  
CH : CCSRCH , CFTLA : CFTLA  
AK : CEAK  
NO MARKED : CKSRBY or CEAT  
3. NM: No Mount

The Δ mark found on some component parts should be replaced with same parts (safety regulation authorized) of identical designation.

# 10.44 A-REG\_S ASSY

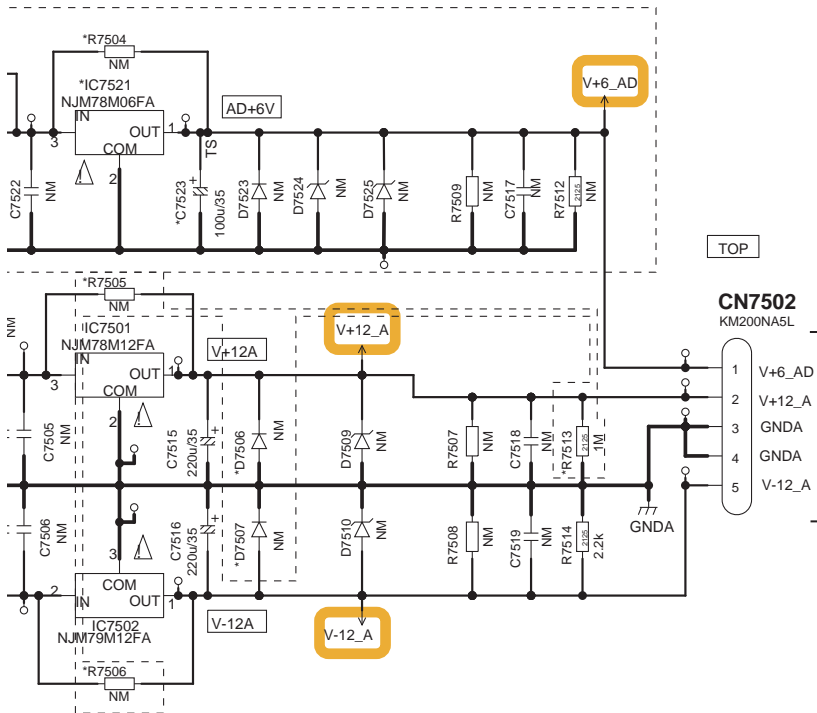


	AWX1401	AWX1596	AWX1597	AWX1452	AWX1598	AWX1599
C7523	100u/35	100u/35	100u/35	NM	NM	NM
R7504	NM	22k	NM	NM	NM	NM
R7515	18	18	18	NM	NM	NM
R7516	22	22	22	NM	NM	NM
IC7521	NJM78M06FA	NJM78M06FA	NJM78M06FA	NM	NM	NM
R7505	NM	27k	NM	NM	27k	NM
R7506	NM	27k	NM	NM	27k	NM
R7513	1M	NM	1M	1M	NM	1M
D7506	NM	1SS355	NM	1SS355	1SS355	NM
D7507	NM	1SS355	NM	1SS355	1SS355	NM

# T A-REG S ASSY (AWX1598)



JH7502  
F7008-A



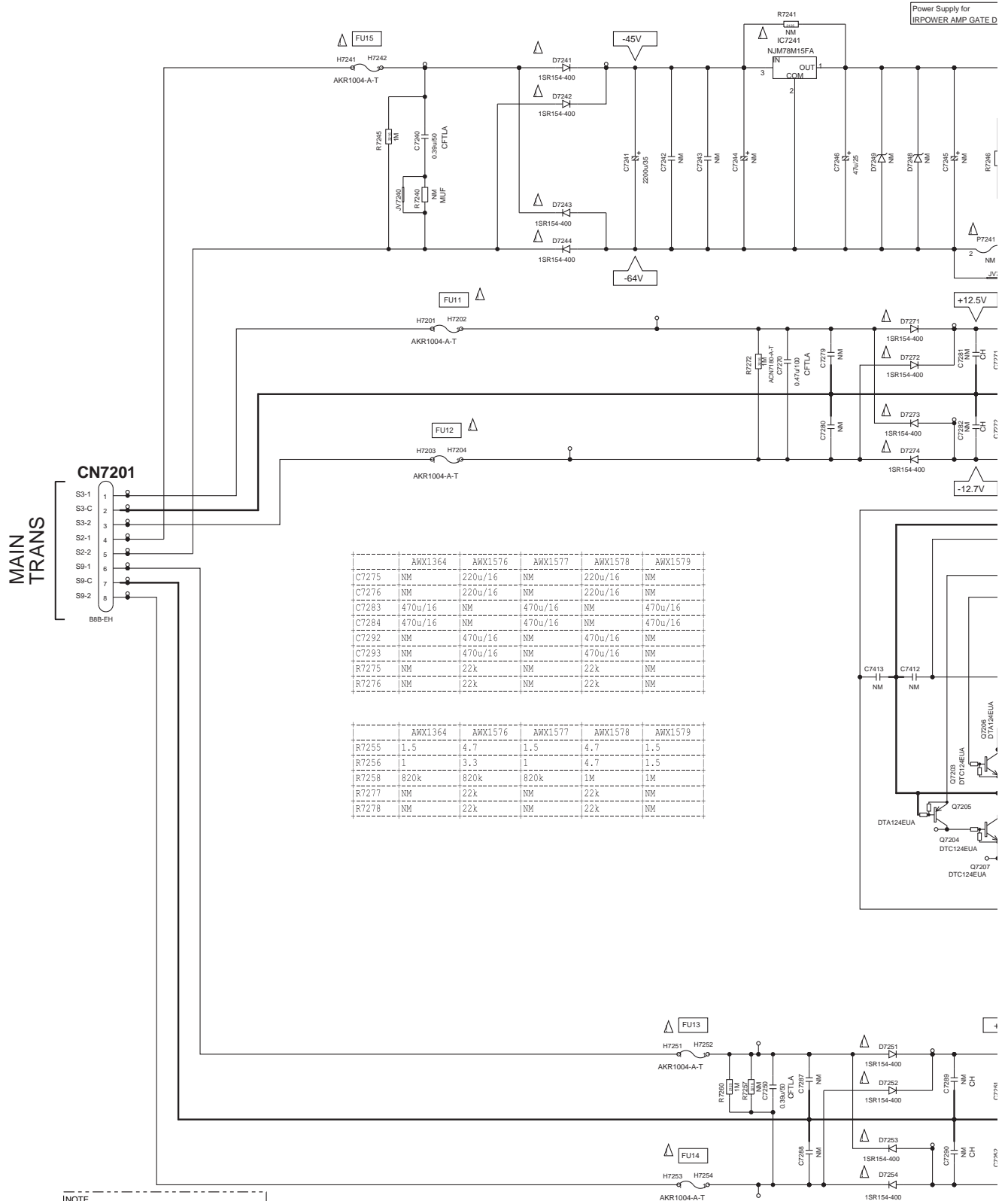
**A 1/4**  
JP3001

The  $\Delta$  mark found on some component parts should be replaced with same parts (safety regulation authorized) of identical designation.

### NOTE

- RESISTORS  
Unit: k- $\Omega$ , M- $\Omega$  or  $\Omega$  unless otherwise noted.  
Rated power: 1/10W unless otherwise noted.  
Tolerance: (J)  $\pm 5\%$  unless otherwise noted.  
2125 : RS1/8SQ  
MUF : RS1/4MUF
- CAPACITORS  
Unit: p-pF, or  $\mu$  F unless otherwise noted.  
Ratings: Capacity (  $\mu$  F)/Voltage(V) unless otherwise noted.  
NP : CEANP  
CFTLA : CFTLA  
AK : CEAK  
NO MARKED : CEAT or CKSRYB
- NM : NO MOUNT

# 10.45 IR REG\_S ASSY (1/2)



**NOTE**

- 1. RESISTORS  
Unit: k-kΩ, M-MΩ or Ω unless otherwise noted.  
Rated Power: 1/10W unless otherwise noted.  
Tolerance: (J)5% unless otherwise noted.  
MUF: RD14MUF  
2125: RS1/BSQ  
3516: RS1/ASA
- 2. CAPACITORS  
Unit: p-pF or u-uF unless otherwise noted.  
Ratings: Capacity(F)/Voltage(V) unless otherwise noted.  
CH: CCSRCH, CFTLA: CFTLA  
NO MARKED: CKSRBY or CEAK  
3. NM: No Mount

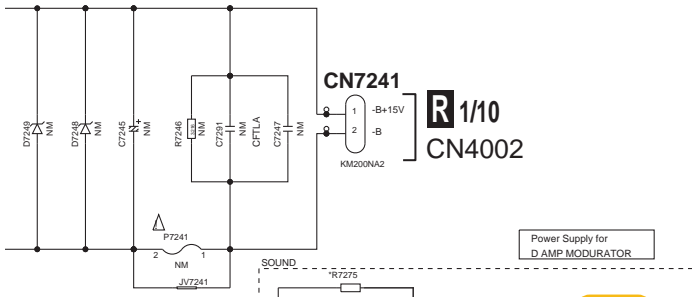
	AWX1364	AWX1576	AWX1577	AWX1578	AWX1579
C7275	NM	220u/16	NM	220u/16	NM
C7276	NM	220u/16	NM	220u/16	NM
C7283	470u/16	NM	470u/16	NM	470u/16
C7284	470u/16	NM	470u/16	NM	470u/16
C7292	NM	470u/16	NM	470u/16	NM
C7293	NM	470u/16	NM	470u/16	NM
R7275	NM	22k	NM	22k	NM
R7276	NM	22k	NM	22k	NM

	AWX1364	AWX1576	AWX1577	AWX1578	AWX1579
R7255	1.5	4.7	1.5	4.7	1.5
R7256	1	3.3	1	4.7	1.5
R7258	820k	820k	820k	1M	1M
R7277	NM	22k	NM	22k	NM
R7278	NM	22k	NM	22k	NM



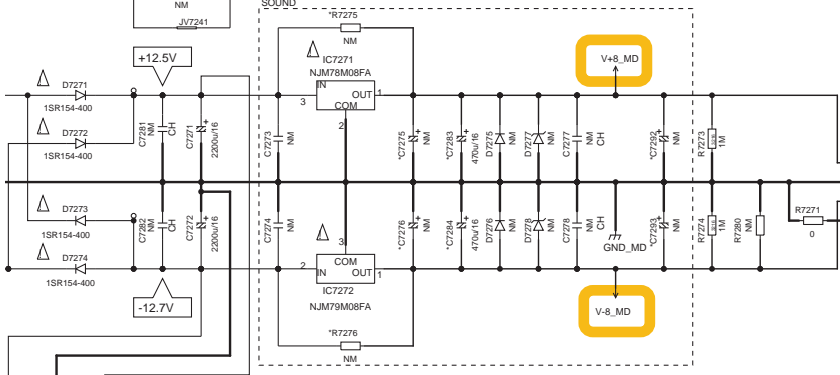
# U<sup>1/2</sup> IR REG\_S ASSY(1/2) (AWX1578)

Power Supply for  
IRPOWER AMP GATE DRIVER



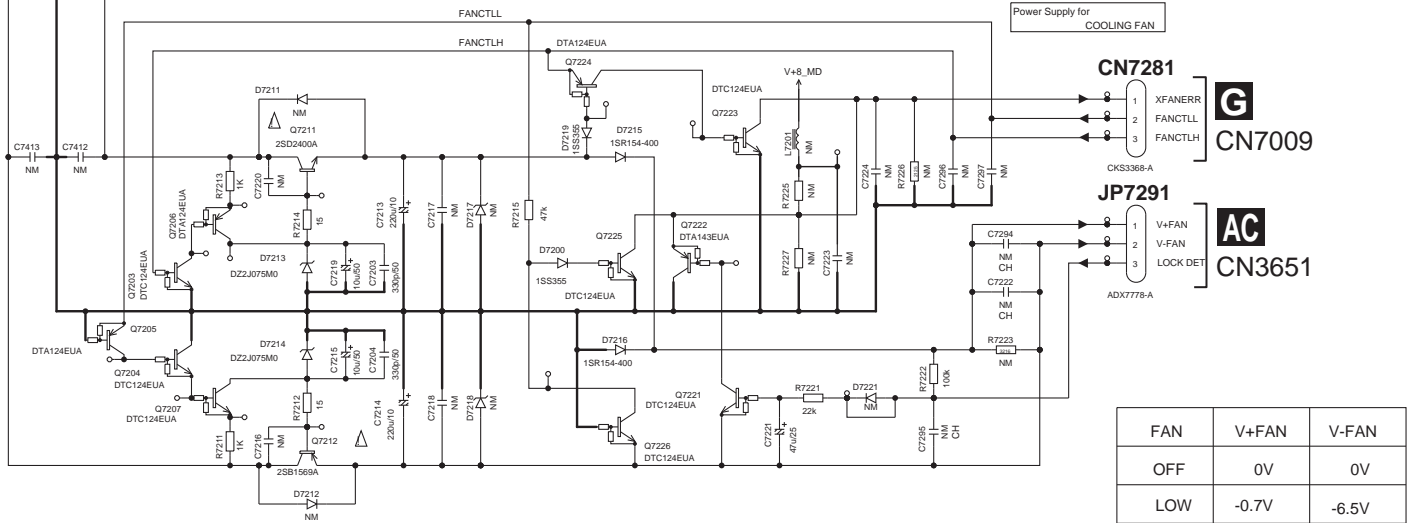
**R 1/10**  
**CN4002**

Power Supply for  
D AMP MODURATOR



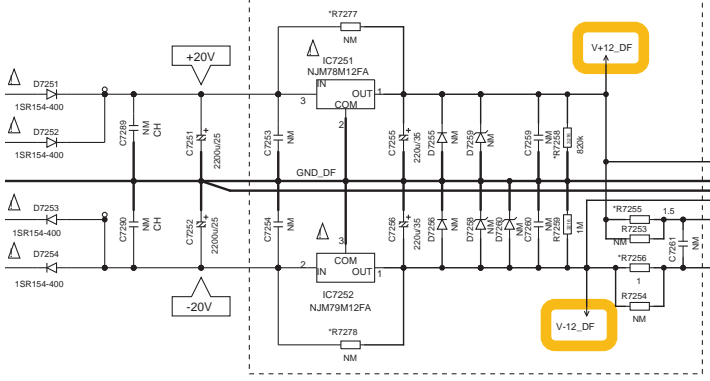
**R 1/10**  
**CN4003**

Power Supply for  
COOLING FAN



FAN	V+FAN	V-FAN
OFF	0V	0V
LOW	-0.7V	-6.5V
HIGH	+6.5V	-6.5V

SOUND

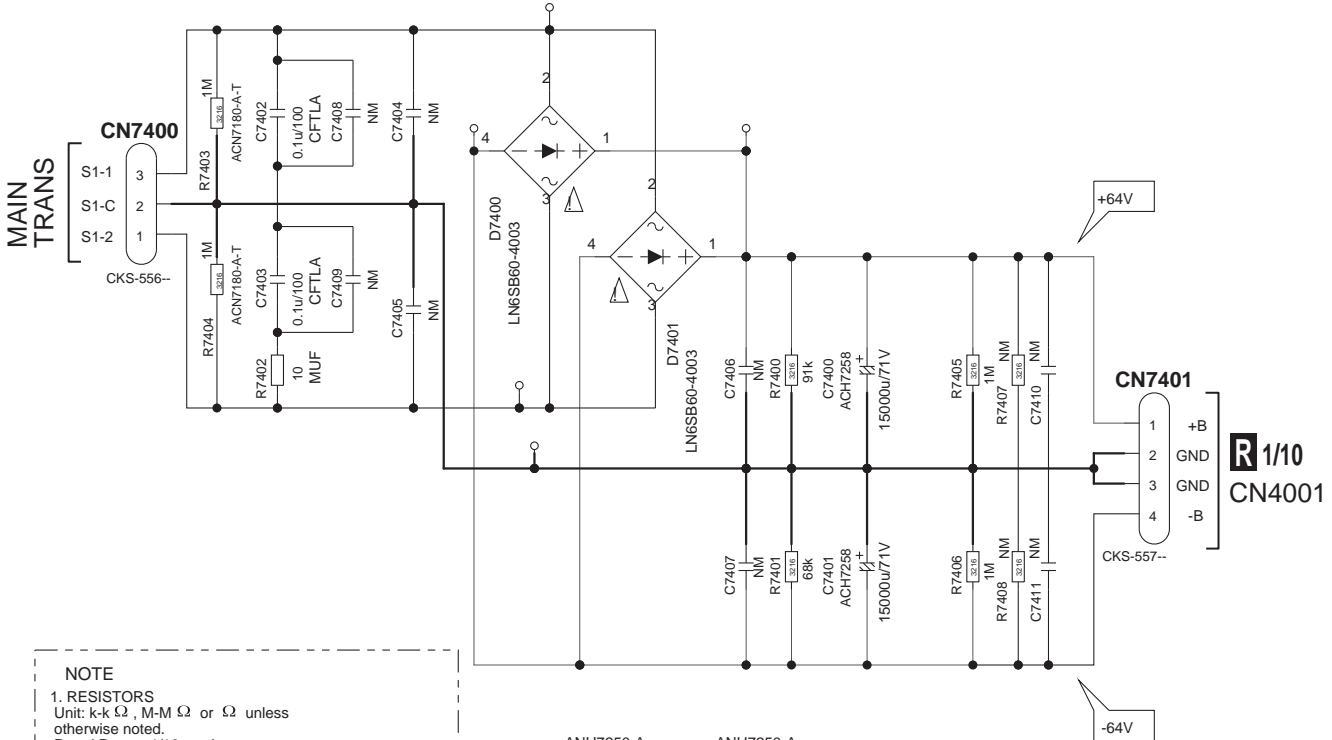


**R 1/10**  
**CN4004**

The  $\Delta$  mark found on some component parts should be replaced with same parts (safety regulation authorized) of identical designation.

# 10.46 IR REG\_S ASSY (2/2)

## U<sup>2/2</sup> IR REG\_S ASSY(2/2) (AWX1578)

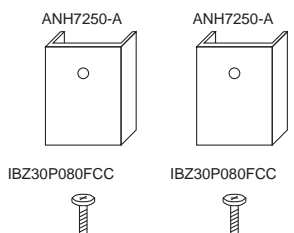


**NOTE**

1. RESISTORS  
Unit: k- $\Omega$ , M- $\Omega$  or  $\Omega$  unless otherwise noted.  
Rated Power: 1/10w unless otherwise noted.  
Tolerance: (J)5% unless otherwise noted.  
MUF : RD1/4MUF  
3216 : RS1/4SA unless otherwise noted.

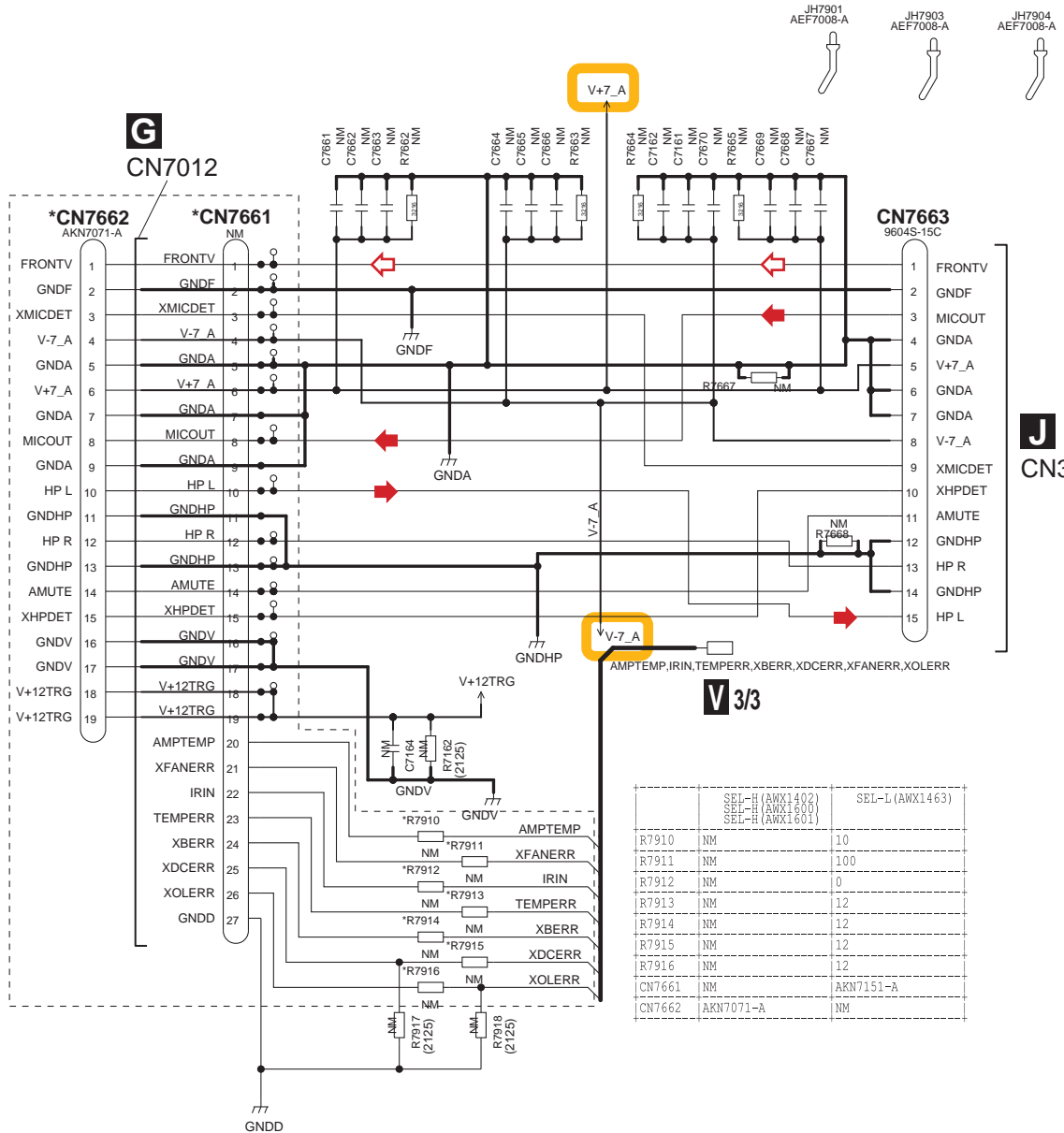
2. CAPACITORS  
Unit: p-pF or u-uF unless otherwise noted.  
Ratings: Capacity(F)/Voltage(V) unless otherwise noted.  
CFTLA : CFTLA

3. NM: No Mount



The  $\Delta$  mark found on some component parts should be replaced with same parts (safety regulation authorized) of identical designation.





	SEL-H (AWX1402) SEL-H (AWX1600) SEL-H (AWX1601)	SEL-L (AWX1463)
R7910	NM	1.0
R7911	NM	100
R7912	NM	0
R7913	NM	1.2
R7914	NM	1.2
R7915	NM	1.2
R7916	NM	1.2
CN7661	NM	AKN7151-A
CN7662	AKN7071-A	NM

Video Signal Route  
 Audio Signal Route

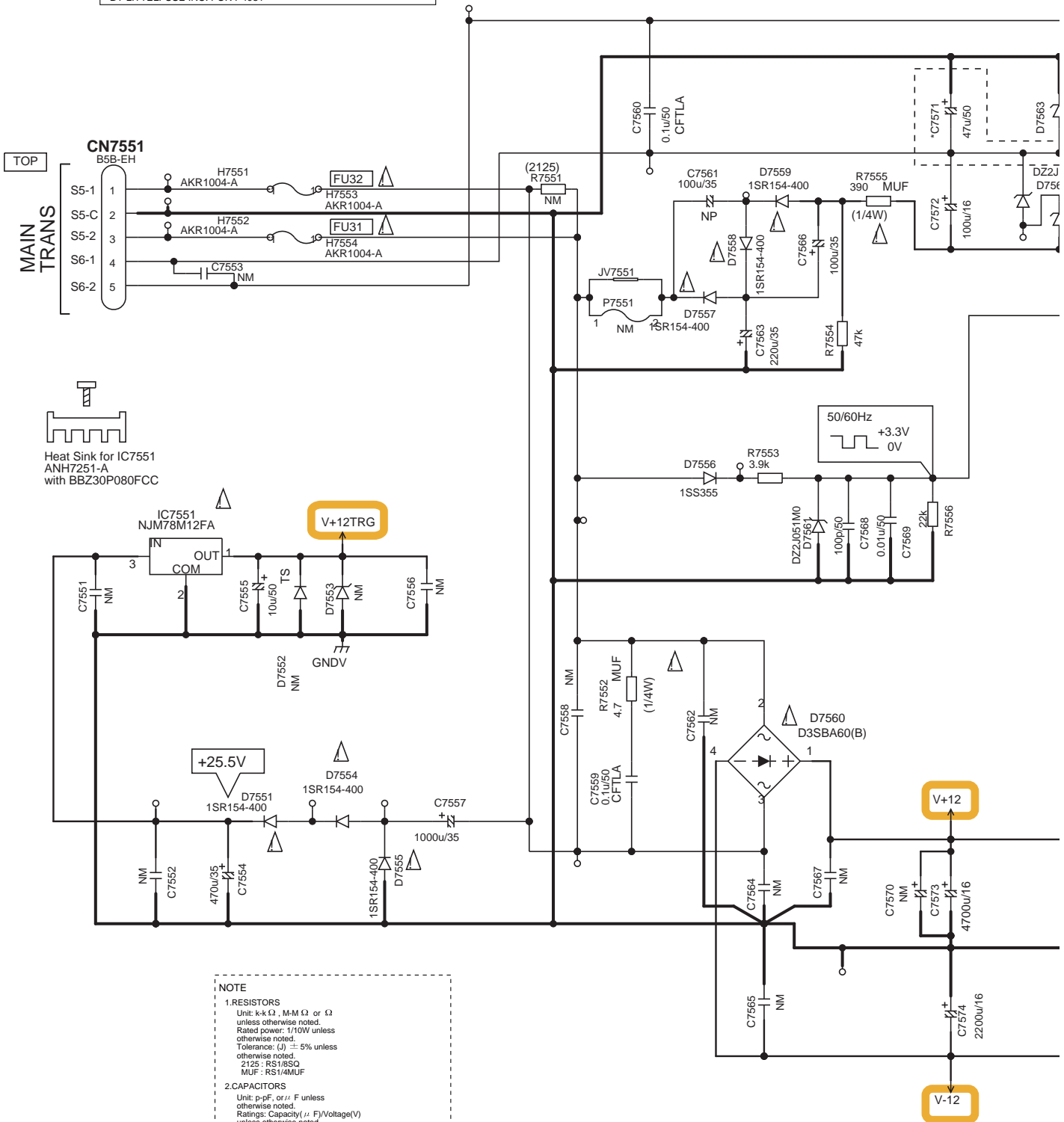
NOTE

- RESISTORS  
Unit: k-k $\Omega$ , M-M $\Omega$  or  $\Omega$  unless otherwise noted.  
Rated Power: 1/16w unless otherwise noted.  
Tolerances: (J)5% unless otherwise noted.
- CAPACITORS  
Unit: p-pF or u-uF unless otherwise noted.  
Ratings: Capacity(F)/Voltage(V) unless otherwise noted.
- NM: No Mount

# 10.48 V-REG\_S ASSY (2/3)

The  $\Delta$  mark found on some component parts should be replaced with same parts (safety regulation authorized) of identical designation.

**CAUTION-**  
FOR CONTINUED PROTECTION AGAINST RISK OF FIRE,  
REPLACE WITH SAME TYPE NO. 49101.6 MFD.  
BY LITTELFUSE INC. FOR P4081



**NOTE**

- RESISTORS**  
Unit: k-k $\Omega$ , M-M $\Omega$  or  $\Omega$  unless otherwise noted.  
Rated power: 1/10W unless otherwise noted.  
Tolerance: (J)  $\pm 5\%$  unless otherwise noted.  
2125: RS1/8SQ  
MUF: RS1/4MUF
- CAPACITORS**  
Unit: p-pF or  $\mu$ : F unless otherwise noted.  
Ratings: Capacity ( $\mu$ : F)/Voltage (V) unless otherwise noted.  
NP: CEANP  
CFTLA: CFTLA  
AK: CEAK  
NO MARKED: CEAT or CKSRYB
- NM: NO MOUNT**

	SEL-H (AWX1402)	SEL-L (AWX1463)	SEL-H (AWX1600)	SEL-H (AWX1601)	SEL-L/J (AWX1681)
C7571	47u/50	47u/50	47u/50	100u/35	47u/50
C7575	NM	NM	NM	100p/50	NM
R7557	NM	NM	NM	1M	NM

# V<sup>2/3</sup> V-REG\_S ASSY(2/3) (AWX1463)

A

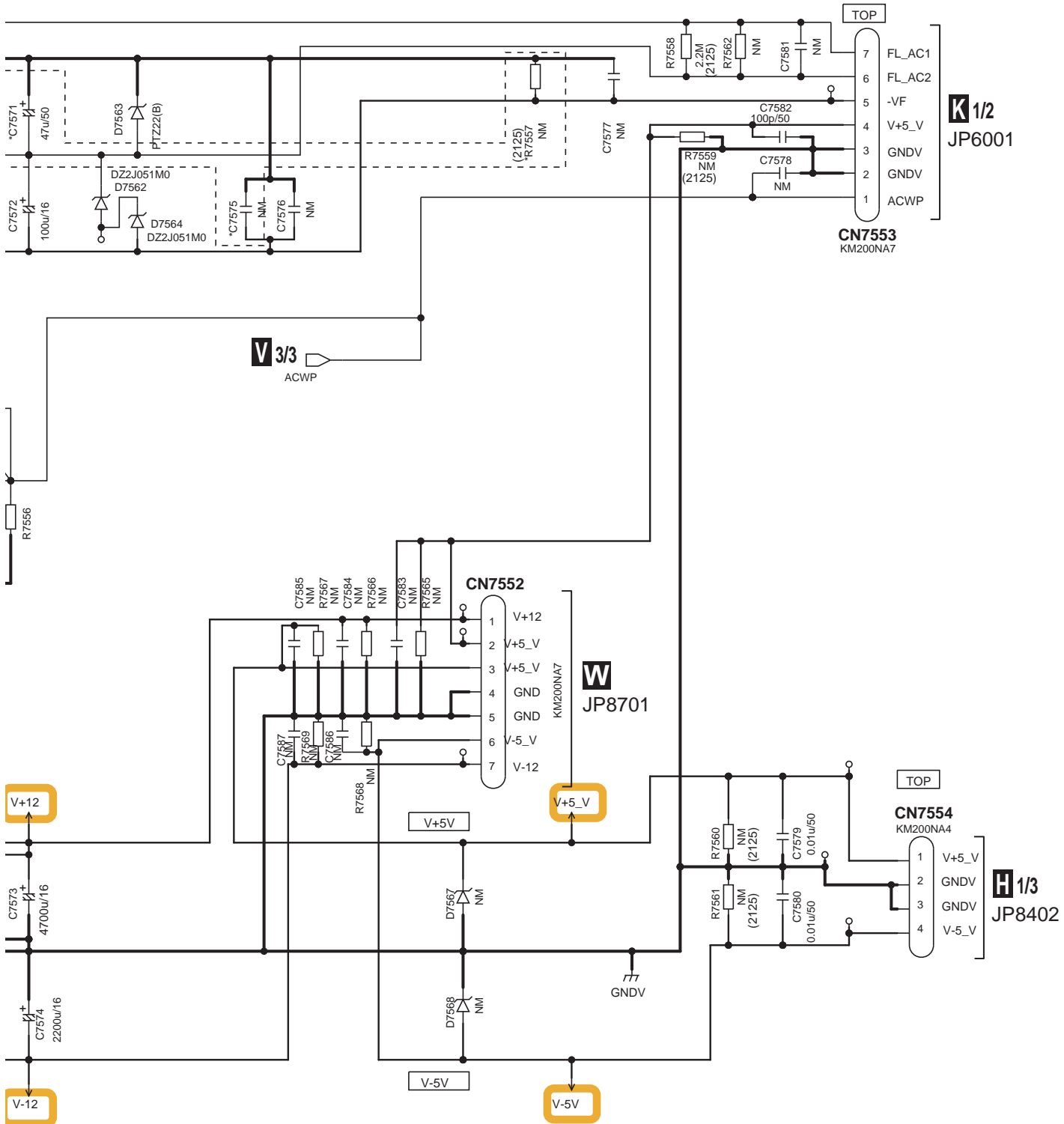
B

C

D

E

F



**K** 1/2  
JP6001

**W**  
JP8701

**H** 1/3  
JP8402

# 10.49 V-REG\_S ASSY (3/3)

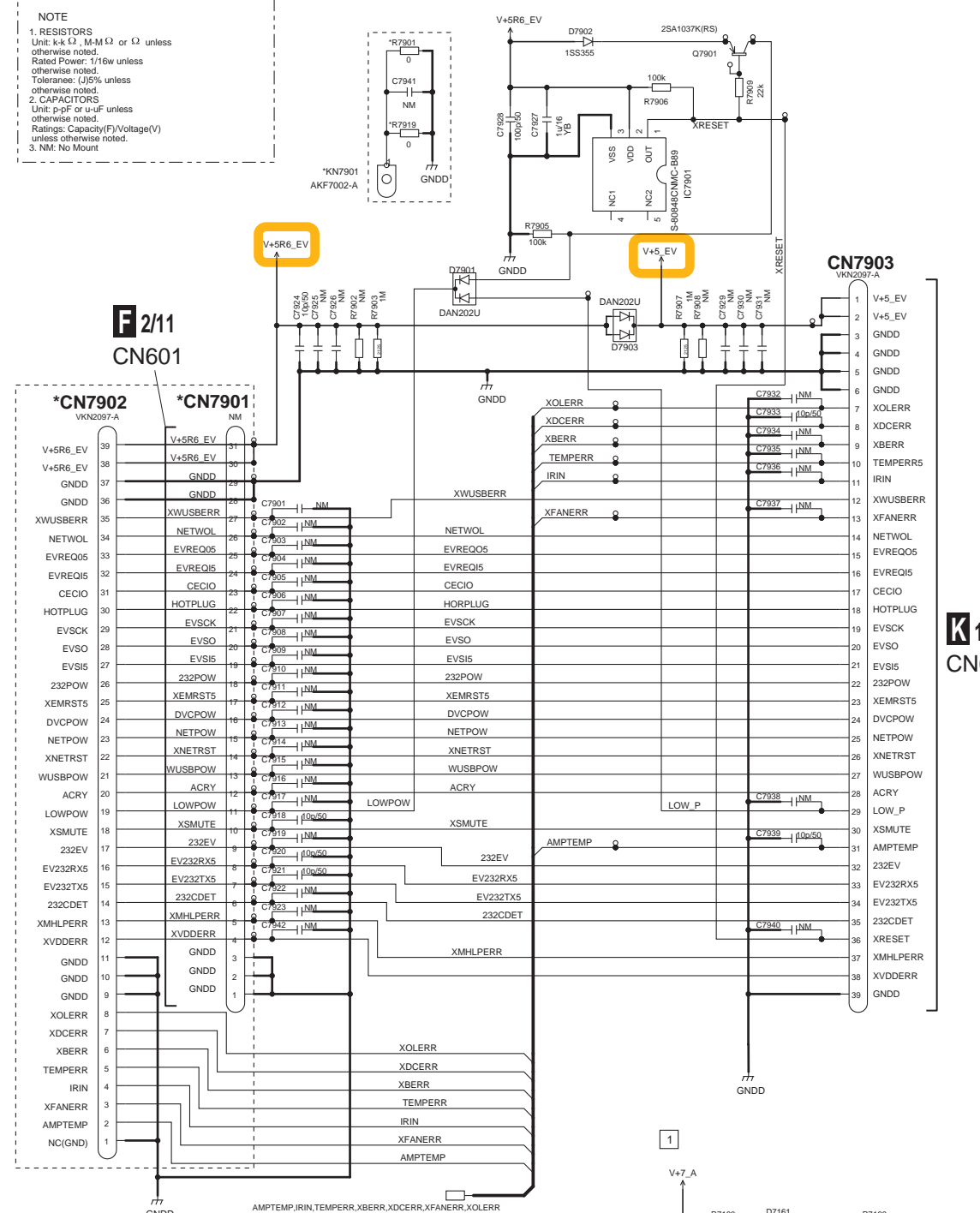
# V<sub>3/3</sub> V-REG\_S ASSY(3/3) (AWX1463)

**NOTE**

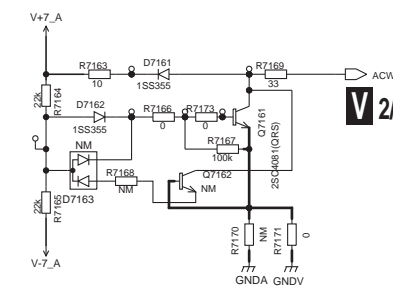
1. RESISTORS  
Unit: k- $\Omega$ , M-M  $\Omega$  or  $\Omega$  unless otherwise noted.  
Rated Power: 1/16w unless otherwise noted.  
Tolerance: (J)5% unless otherwise noted.

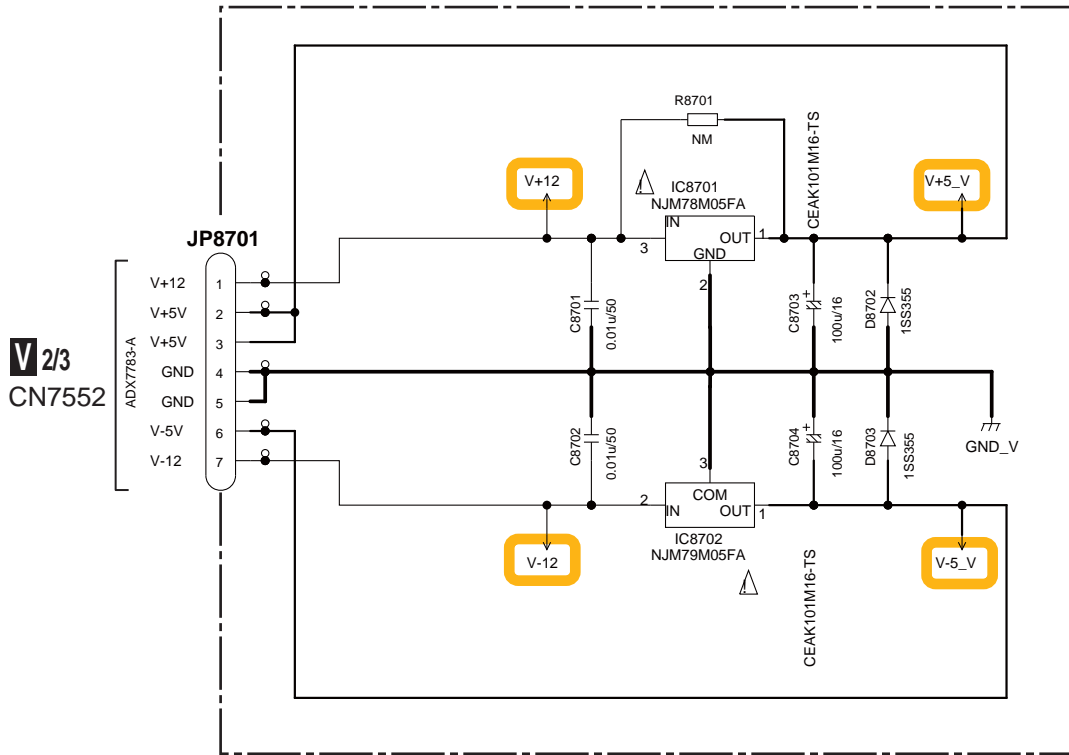
2. CAPACITORS  
Unit: p-pF or u-uF unless otherwise noted.  
Ratings: Capacity(F)/Voltage(V) unless otherwise noted.

3. NM: No Mount



	SEL-H/SY (AWX1402)	SEL-L/CO, SY (AWX1463)	SEL-H/CO (AWX1600)	SEL-H/J (AWX1601)	SEL-L/J (AWX1661)
CN7901	NM	VKN1262-A	NM	NM	VKN1262-A
CN7902	VKN2097-A	NM	VKN2097-A	VKN2097-A	NM
R7901	0	NM	NM	0	0
R7919	0	NM	NM	0	0
KN7901	AKF7002-A	NM	NM	AKF7002-A	AKF7002-A





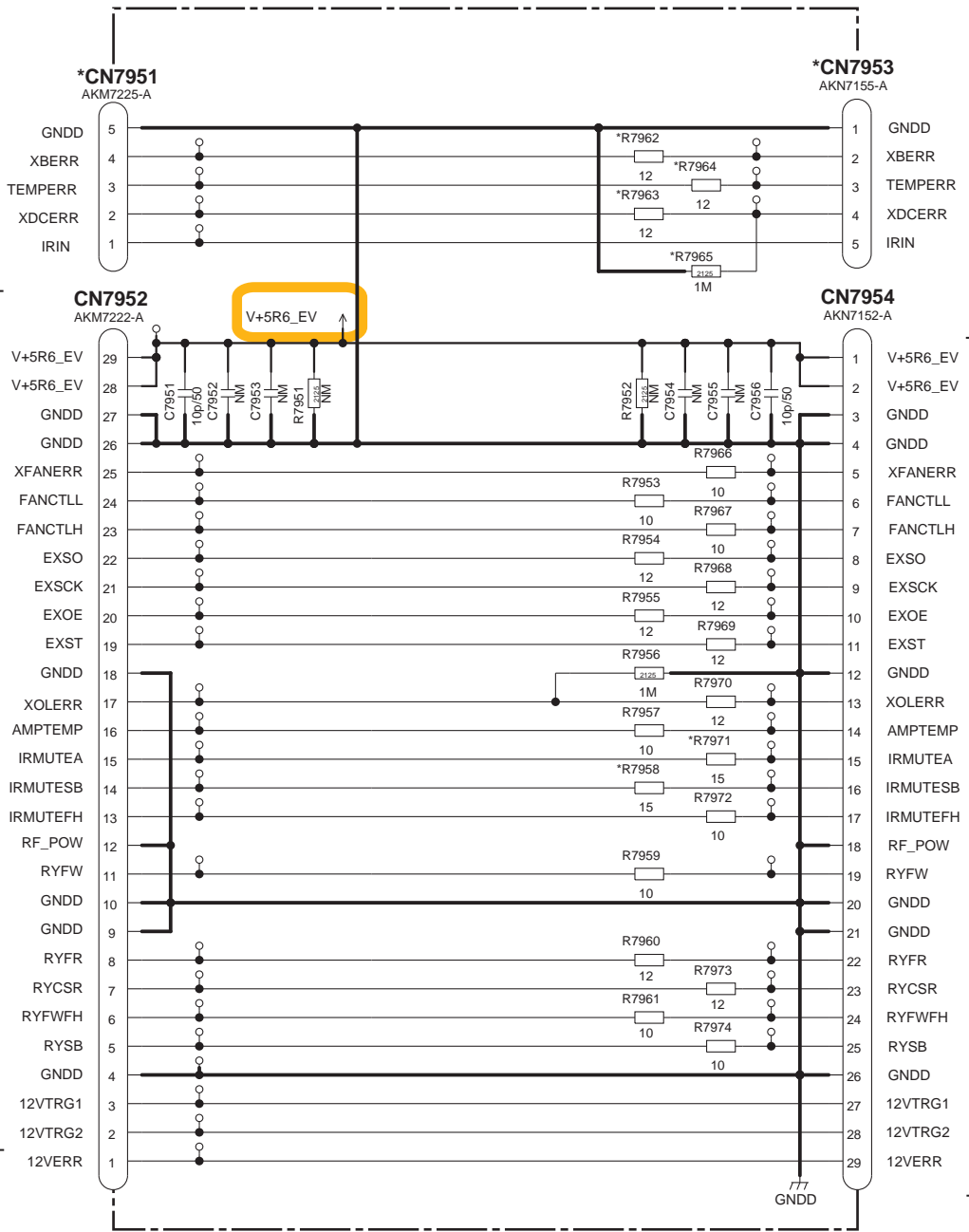
CAUTION - FOR CONTINUED PROTECTION AGAINST RISK OF FIRE,  
REPLACE WITH SAME TYPE AND RATINGS OF FUSE.

The  $\Delta$  mark found on some component parts should be replaced with same parts (safety regulation authorized) of identical designation.

**NOTE**  
 1. RESISTORS  
 Unit: k-k $\Omega$ , M-M $\Omega$  or  $\Omega$  unless otherwise noted.  
 Rated Power: 1/16w unless otherwise noted.  
 Tolerance: (J)5% unless otherwise noted.  
 MUF - RD1/4MUF  
 2. CAPACITORS  
 Unit: p-pF or u-uF unless otherwise noted.  
 Ratings: Capacity(F)/Voltage(V) unless otherwise noted.  
 CH : CCSRCH , CFTLA : CFTLA  
 NP : CEANP , AK : CEAK  
 NO MARKED : CKSRYP or CEAT  
 3. NM: No Mount



# 10.51 CONNECT\_S ASSY



**F** 2/11  
CN603

**G**  
CN7004

	awx1366	awx1583	awx1584	awx1464	awx1585
R7958	15	15	15	15	15
R7962	12	12	12	NM	NM
R7963	12	12	12	NM	NM
R7964	12	12	12	NM	NM
R7965	1M	1M	1M	NM	NM
R7971	15	15	15	15	15
CN7951	AKM7225-A	AKM7225-A	AKM7225-A	NM	NM
CN7953	AKN7155-A	AKN7155-A	AKN7155-A	NM	NM

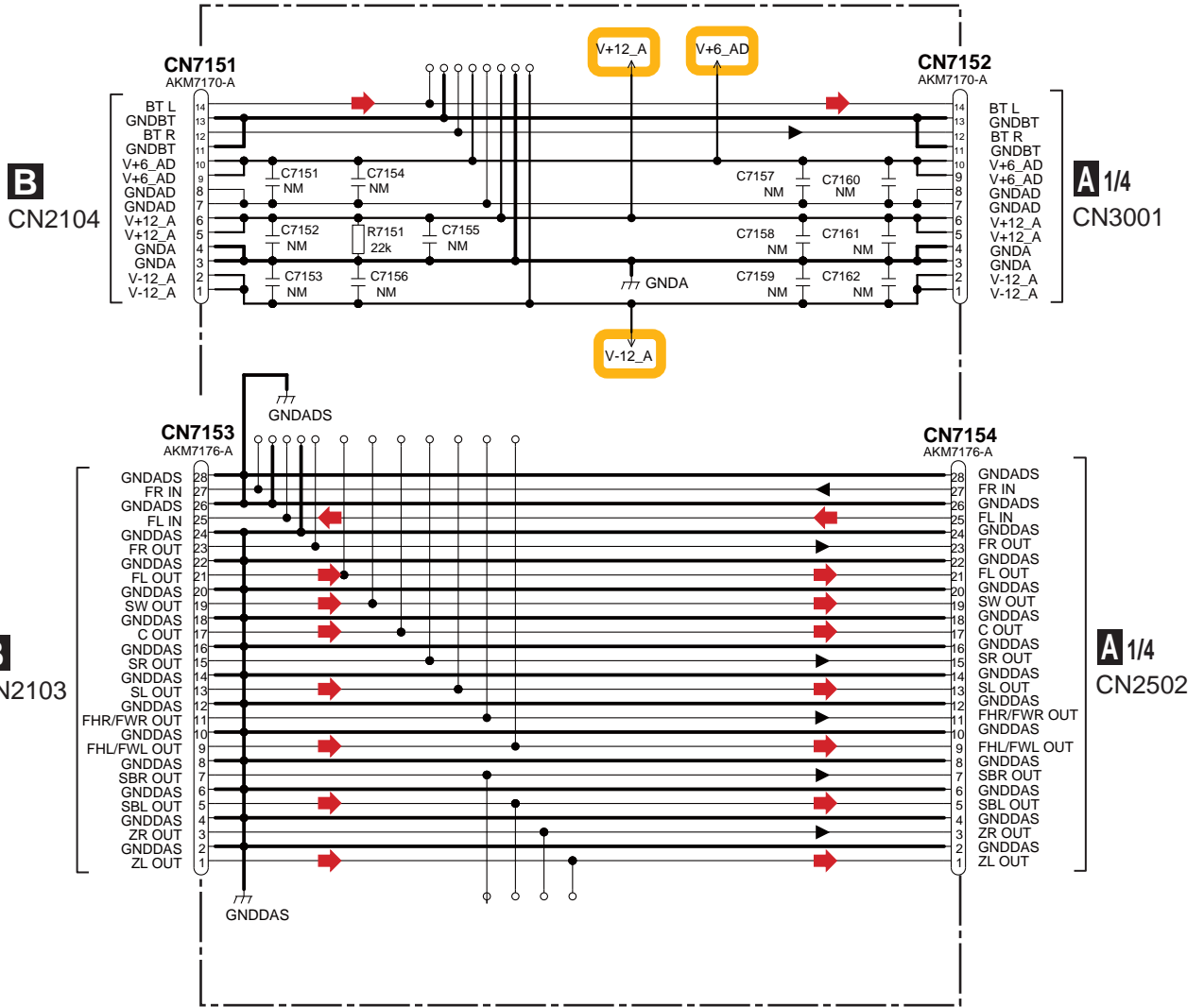
**NOTE**

1. RESISTORS  
Unit: k-k $\Omega$ , M-M  $\Omega$  or  $\Omega$  unless otherwise noted.  
Rated Power: 1/16w unless otherwise noted.  
Tolerance: (J)5% unless otherwise noted.

2. CAPACITORS  
Unit: p-pF or u-uF unless otherwise noted.  
Ratings: Capacity(F)/Voltage(V) unless otherwise noted.  
3. NM: No Mount

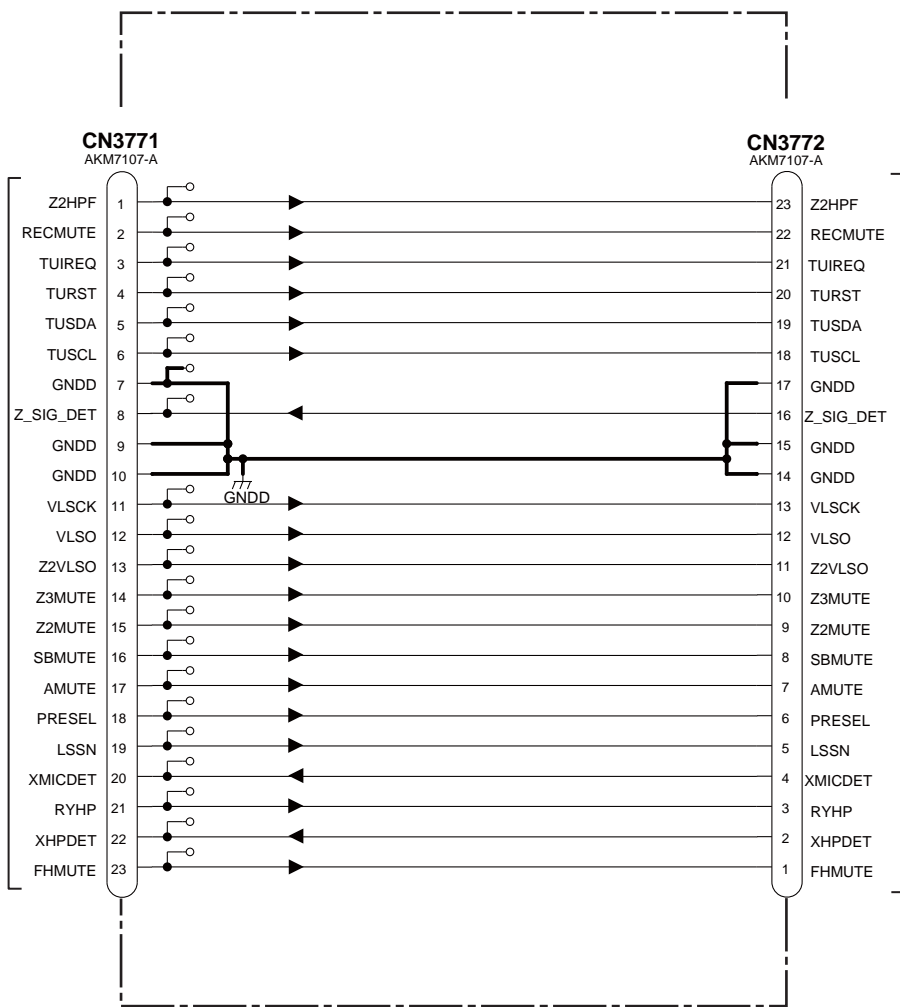


**Y** A-FILTER BRIDGE\_S ASSY (AWX1523)



➔ : Audio Signal Route

**NOTE**  
 1. RESISTORS  
 Unit: k-k Ω , M-M Ω or Ω unless otherwise noted.  
 Rated Power: 1/10w unless otherwise noted.  
 Tolerance: (J)5% unless otherwise noted.  
 2. CAPACITORS  
 Unit: p-pF or u-uF unless otherwise noted.  
 Ratings: Capacity(F)/Voltage(V) unless otherwise noted.  
 CH : CCSRCH  
 NO MARKED : CKSRYB  
 3. NM: No Mount



**F** 7/11  
CN1502

**A** 1/4  
CN2861

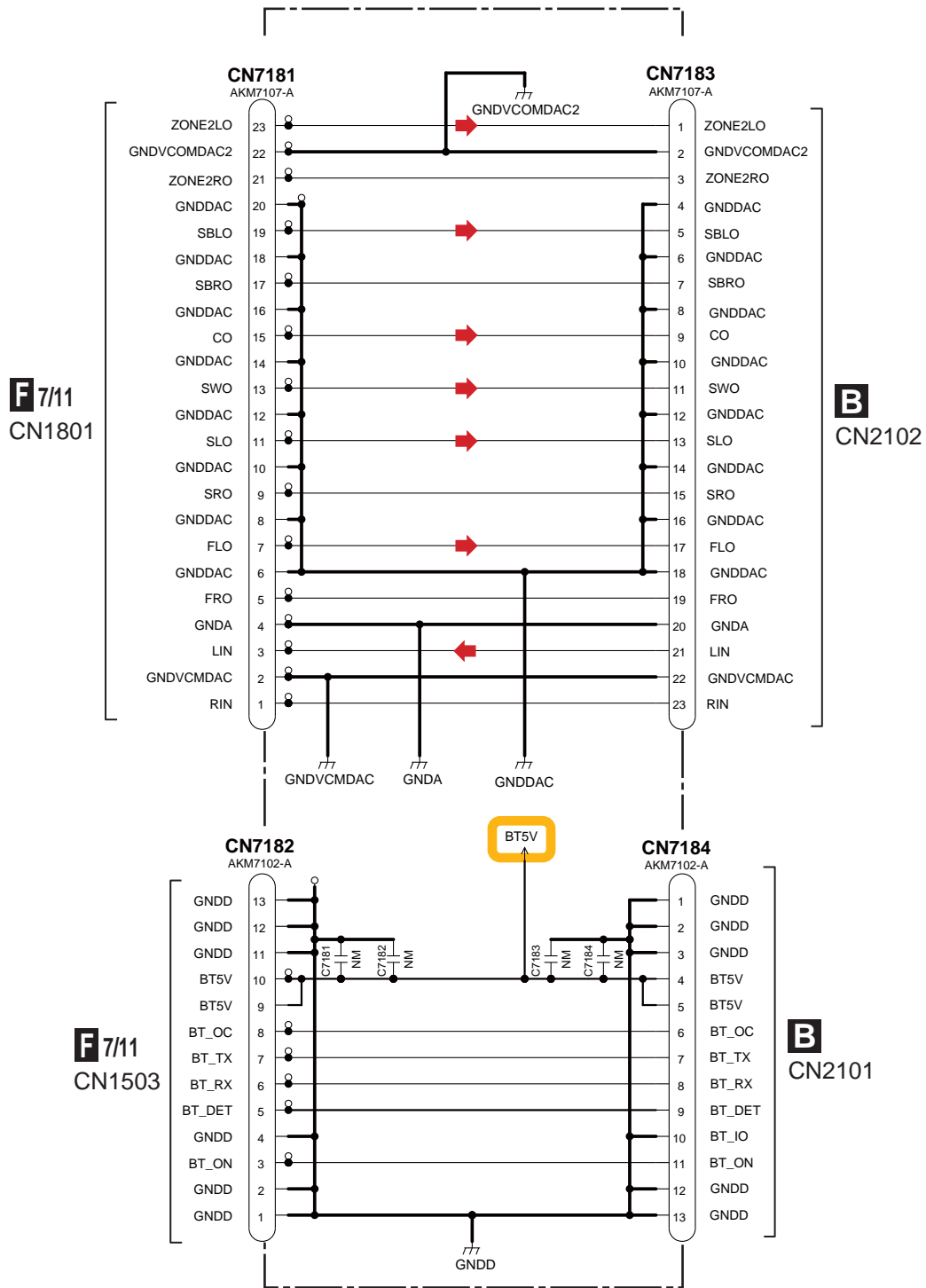
**NOTE**

- RESISTORS**  
Unit: k-k Ω , M-MΩ or Ω unless otherwise noted.  
Rated Power: 1/10w unless otherwise noted.  
Tolerance: (J)5% unless otherwise noted.
- CAPACITORS**  
Unit: p-pF or u-uF unless otherwise noted.  
Ratings: Capacity(F)/Voltage(V) unless otherwise noted.  
CH : CCSRCH  
NO MARKED : CKSRYB
- NM: No Mount**



# 10.54 D-FILTER BRIDGE\_S ASSY

## AA D-FILTER BRIDGE\_S ASSY (AWX1403)



➔ : Audio Signal Route

### NOTE

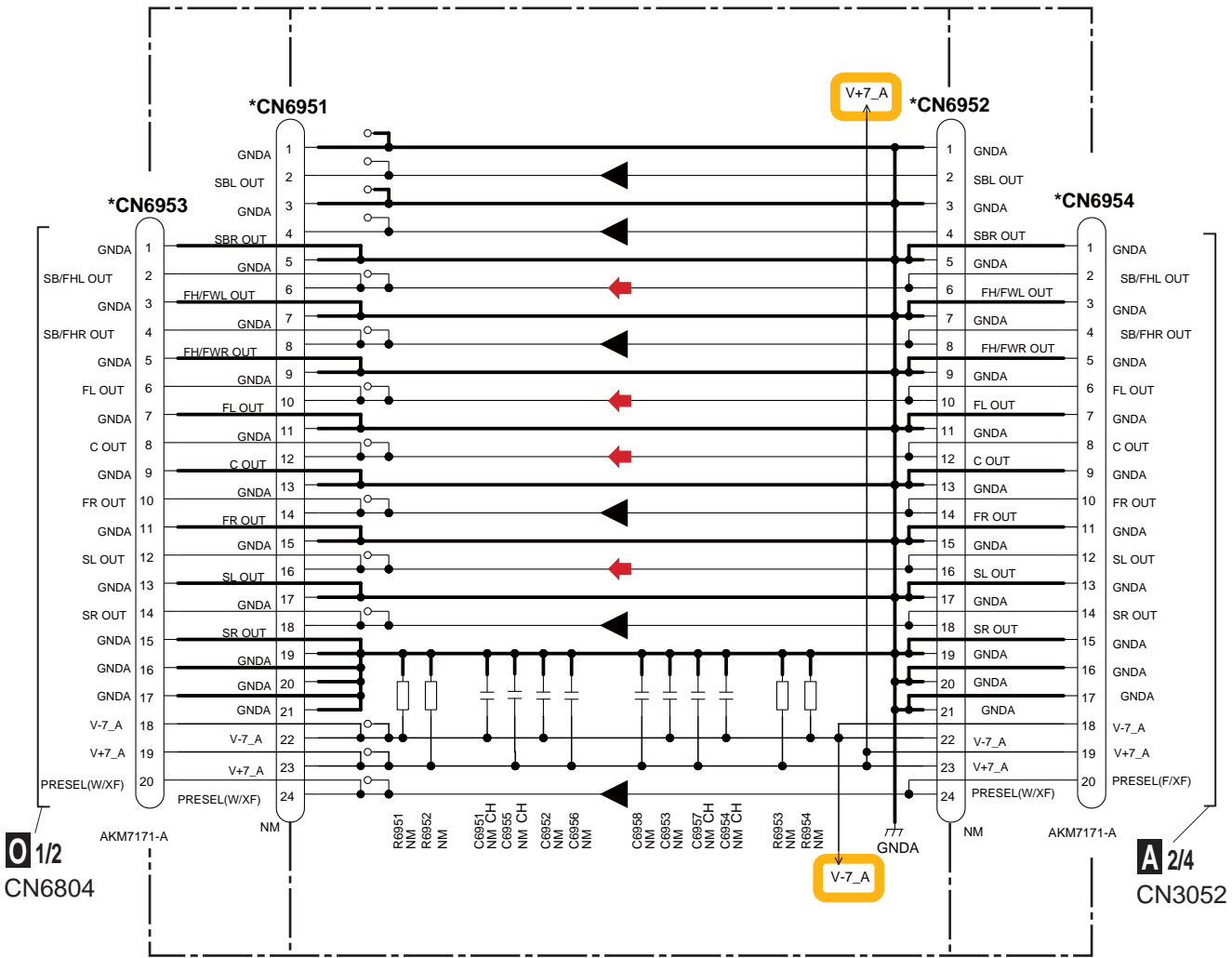
- RESISTORS  
Unit: k-kΩ, M-MΩ or Ω unless otherwise noted.  
Rated Power: 1/16w unless otherwise noted.  
Tolerance: (J)5% unless otherwise noted.
- CAPACITORS  
Unit: p-pF or u-uF unless otherwise noted.  
Ratings: Capacity(F)/Voltage(V) unless otherwise noted.
- NM: No Mount

AA

AA

# 10.55 PRE BRIDGE\_S ASSY

## AB PRE BRIDGE\_S ASSY (AWX1458)



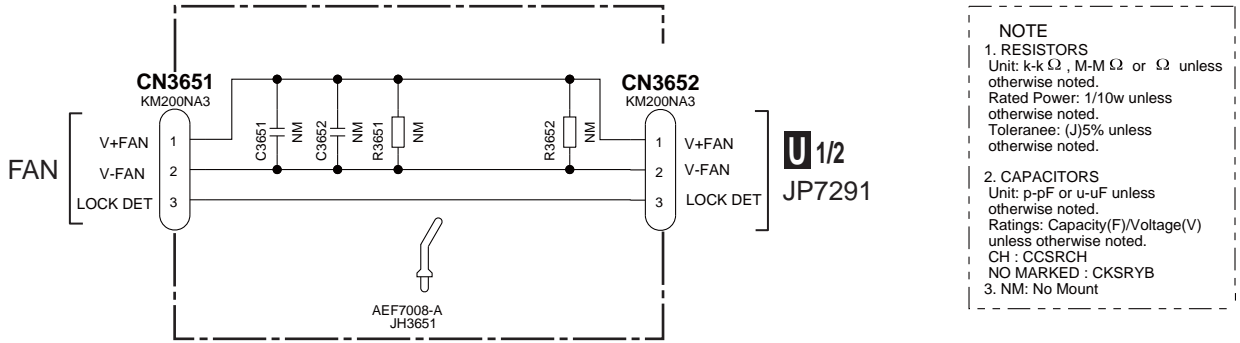
AWX1458 (SEL-L)	
CN6951	NM
CN6952	NM
CN6953	AKM7105-A
CN6954	AKM7105-A

➔: Audio Signal Route

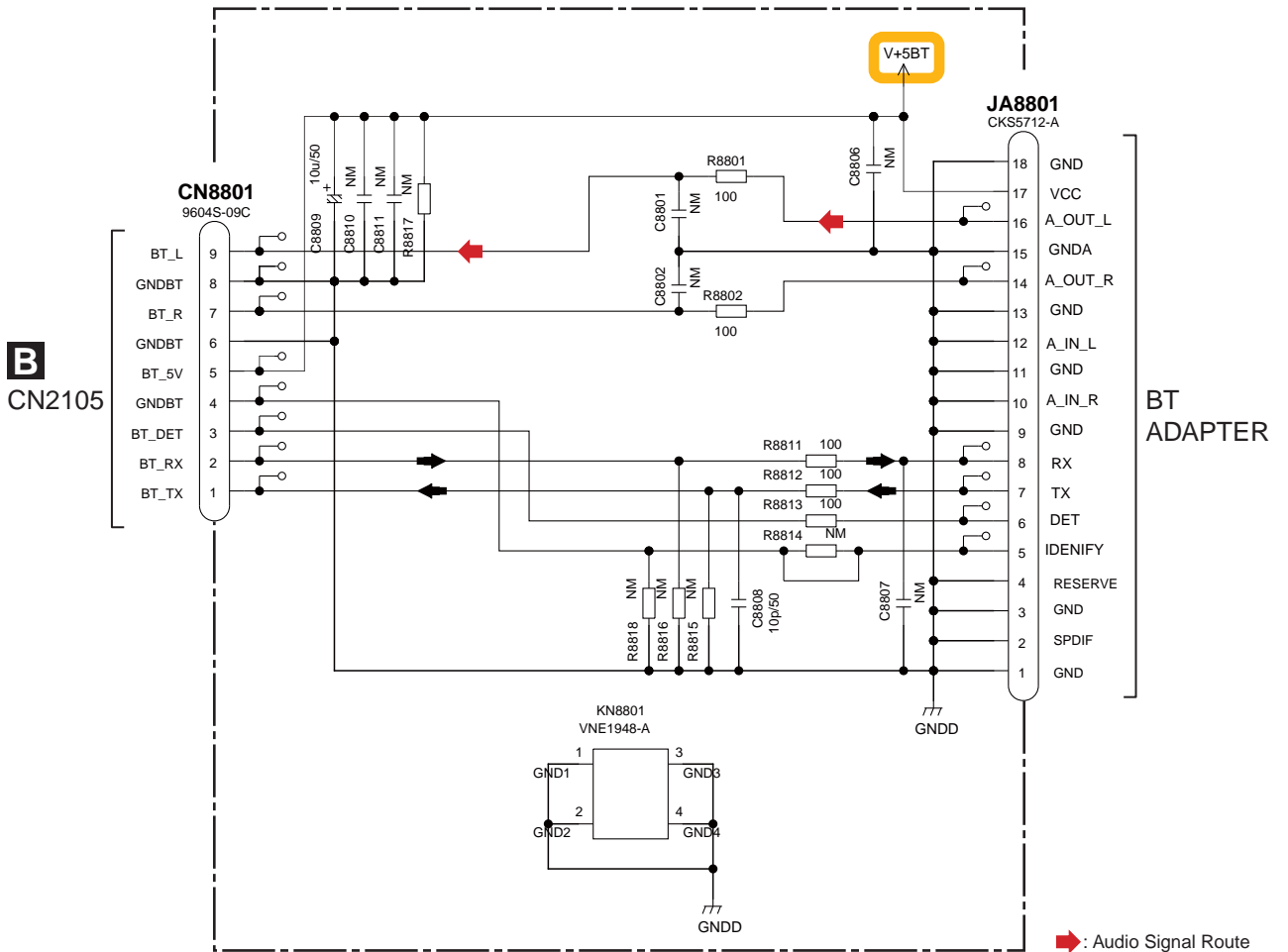
**NOTE**  
 1. RESISTORS  
 Unit: k-kΩ, M-MΩ or Ω unless otherwise noted.  
 Rated Power: 1/10w unless otherwise noted.  
 Tolerance: (J)5% unless otherwise noted.  
 2. CAPACITORS  
 Unit: p-pF or u-uF unless otherwise noted.  
 Ratings: Capacity(F)/Voltage(V) unless otherwise noted.  
 CH : CCSRCH  
 NO MARKED : CKSRYB  
 3. NM: No Mount

# 10.56 FAN CONNECT ASSY and BT\_S ASSY

## AC FAN CONNECT ASSY (AWX1361)



## AD BT\_S ASSY (AWX1436)



The  $\Delta$  mark found on some component parts should be replaced with same parts (safety regulation authorized) of identical designation.

1608 SIZE	2125 SIZE	3216 SIZE
RS1/16S*** RN1/16S***	RS1/10S*** RS1/8SQ*** 1/8W	RS1/8S*** RS1/4SA*** 1/4W
CCSR*** CKSR***	CCSQ*** CKSQ***	CCS*** CKS***

**NOTE**

- RESISTORS**  
Unit: k-k Ω, M-M Ω or Ω unless otherwise noted.  
Rated Power: 1/16w unless otherwise noted.  
Tolerance: (J)5% unless otherwise noted.
- CAPACITORS**  
Unit: p-pF or u-uF unless otherwise noted.  
Ratings: Capacity(F)/Voltage(V) unless otherwise noted.  
YB:CKSRYB, QYB:CKSQYB, SYB:CKSYB, CH:CCSRCH  
HAT:CEHAT, ZL:CEHAZL  
3. NM: No Mount

**AC AD**

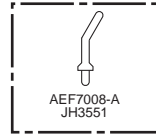
**AC AD**

# 10.57 MIC HP GUARD, BIND DM CABLE\_S, P WIRE GUARD\_S, FFC GUARD\_S, BINDFAN CABLE\_S and TRANS VREG STYL\_S ASSYS

A

**AE** MIC HP GUARD ASSY  
(AWX1397)

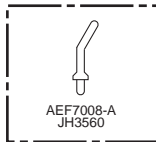
**AF** BIND DM CABLE\_S ASSY  
(AWX1407)



B

**AG** P WIRE GUARD\_S ASSY  
(AWX1408)

**AH** FFC GUARD\_S ASSY  
(AWX1406)



C

**AI** BINDFAN CABLE\_S ASSY  
(AWX1409)

**AJ** TRANS VREG STYL\_S ASSY  
(AWX1368)



D

E

F

**AE AF AG AH AI AJ**

**AE AF AG AH AI AJ**

**AK** VREG GUARD ASSY  
(AWX1398)



**AL** PANEL GUARD ASSY  
(AWX1399)



**AM** IR EDGE GUARD\_S ASSY  
(AWX1230)

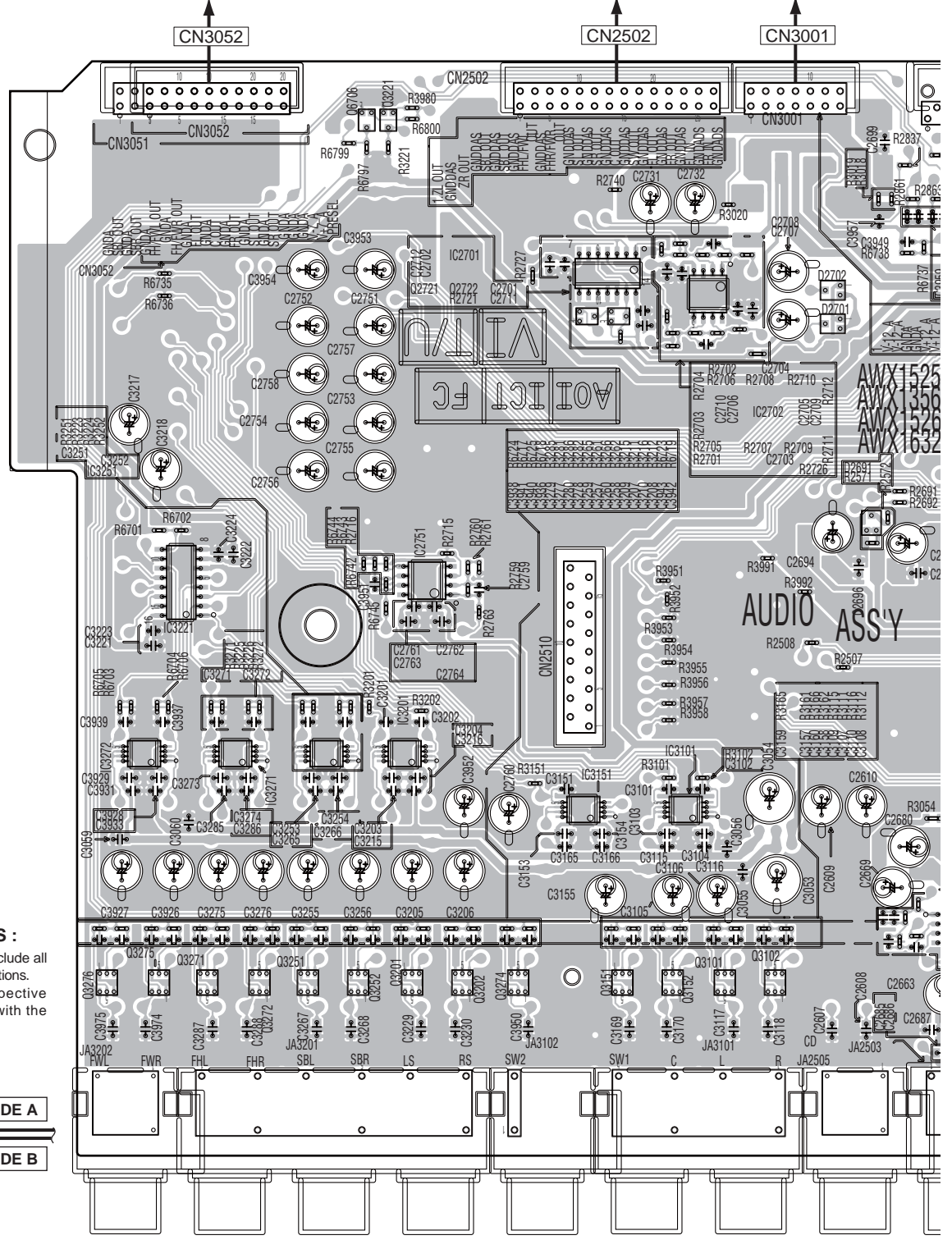


# 11. PCB CONNECTION DIAGRAM

## 11.1 AUDIO ASSY

**SIDE A**

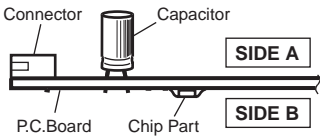
**A AUDIO ASSY** **AB CN6954** **Y CN7154** **Y CN7152**



### NOTE FOR PCB DIAGRAMS :

1. The parts mounted on this PCB include all necessary parts for several destinations. For further information for respective destinations, be sure to check with the schematic diagram.

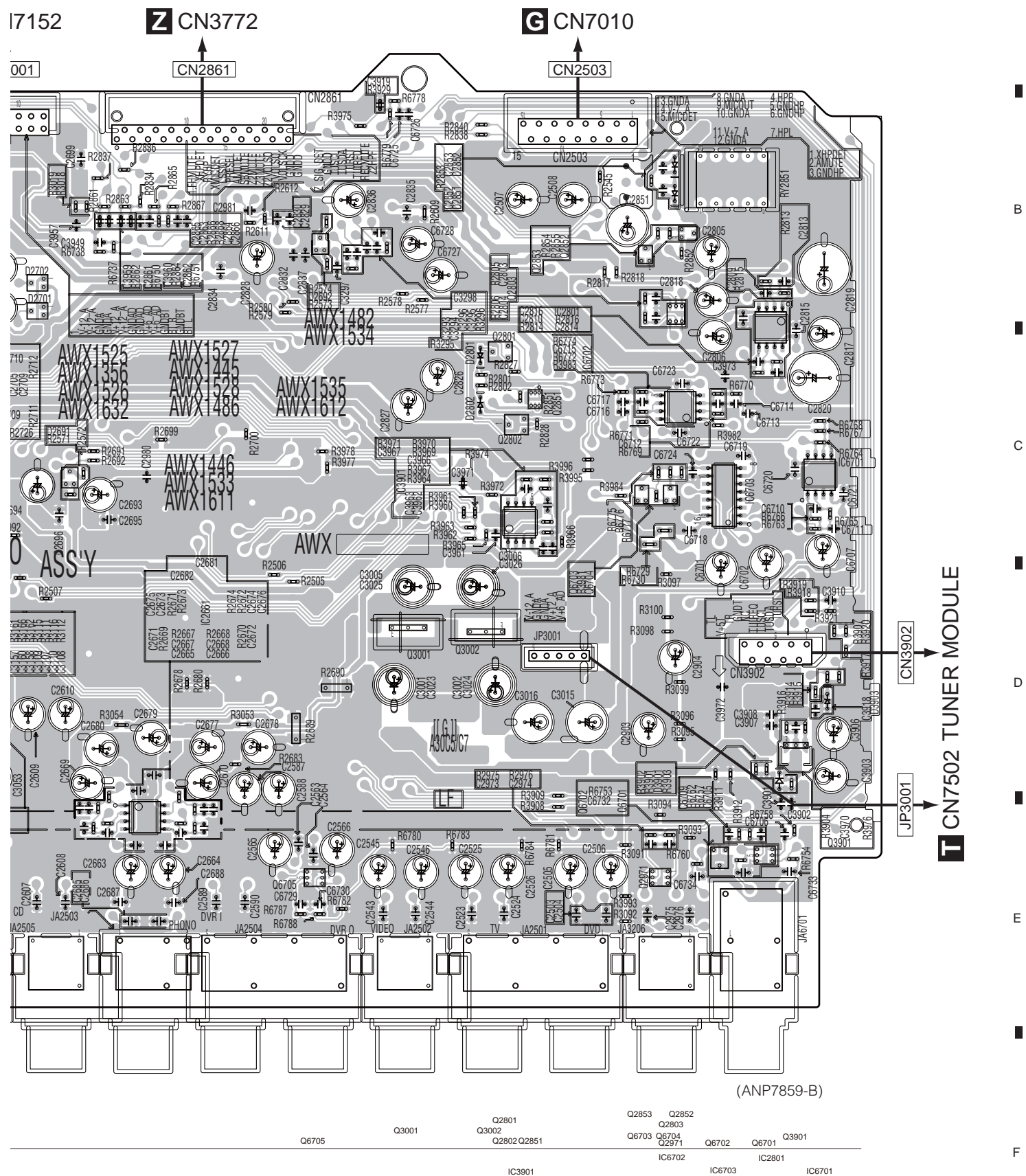
2. View point of PCB diagrams.



Q6706 Q3221 Q2721 Q2722 Q3276 Q3275 Q3271 Q3272 Q3251 Q3252 Q3201 Q3202 Q3274 Q3151 Q3152 Q3101 Q3102

IC IC3221 IC3271 IC3251 IC2751 IC2701 IC2702 IC3272 IC3271 IC3251 IC3201 IC3151 IC3101

**SIDE A**



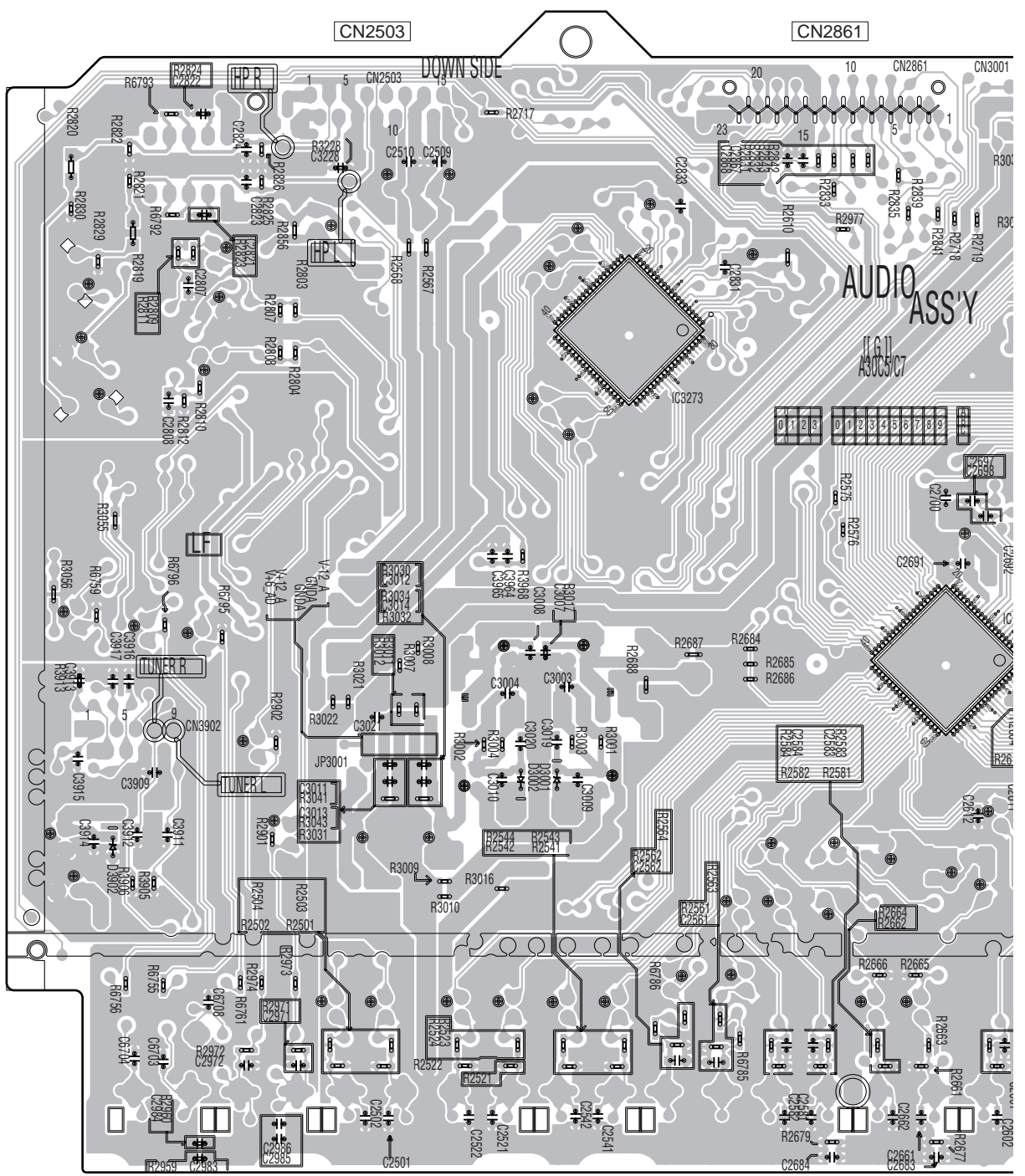
(ANP7859-B)

SC-72

**A**

**SIDE B**

**A AUDIO ASSY**



IC IC3273 IC2501



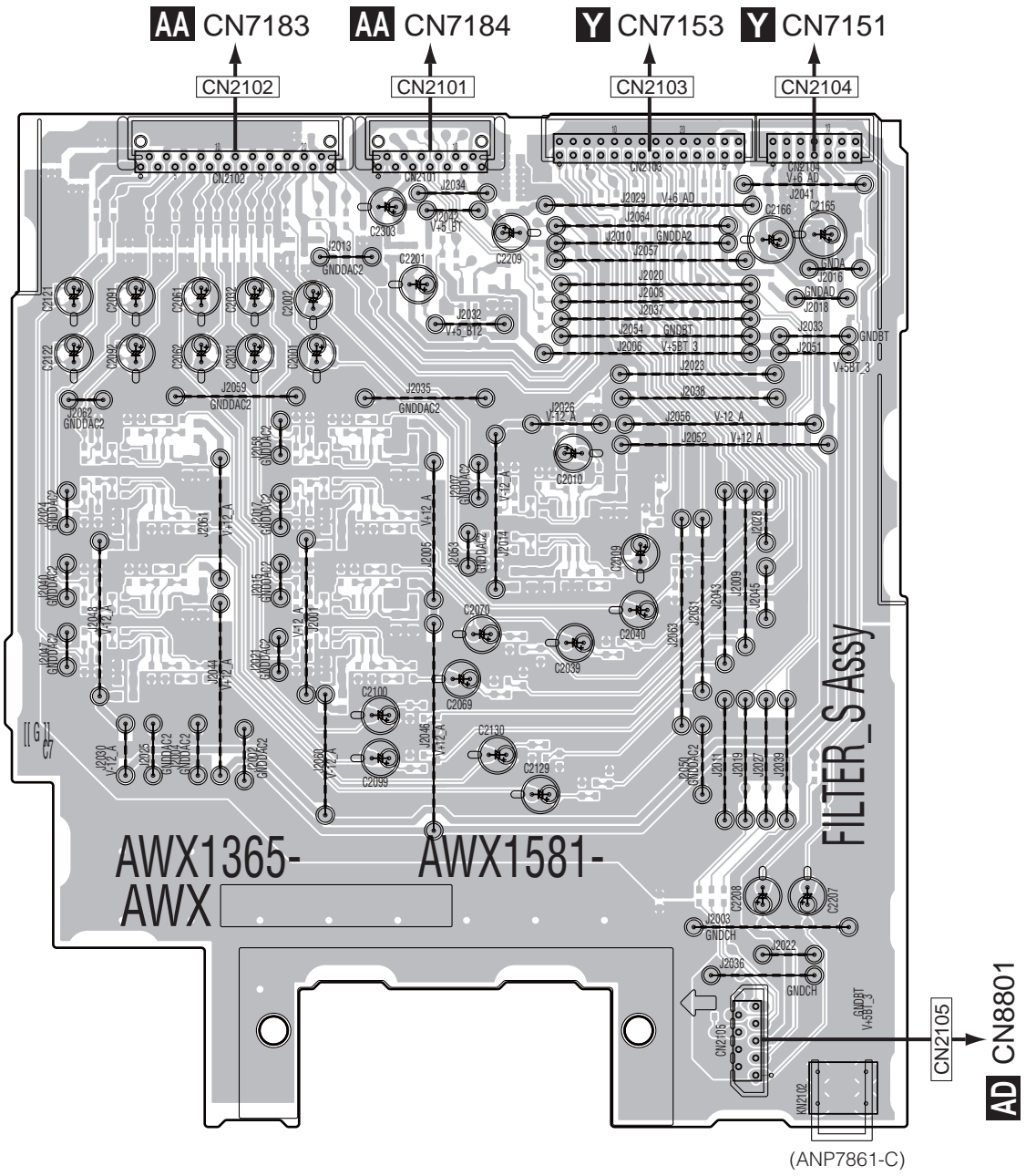


11.2 FILTER\_S ASSY

SIDE A

SIDE A

**B** FILTER\_S ASSY



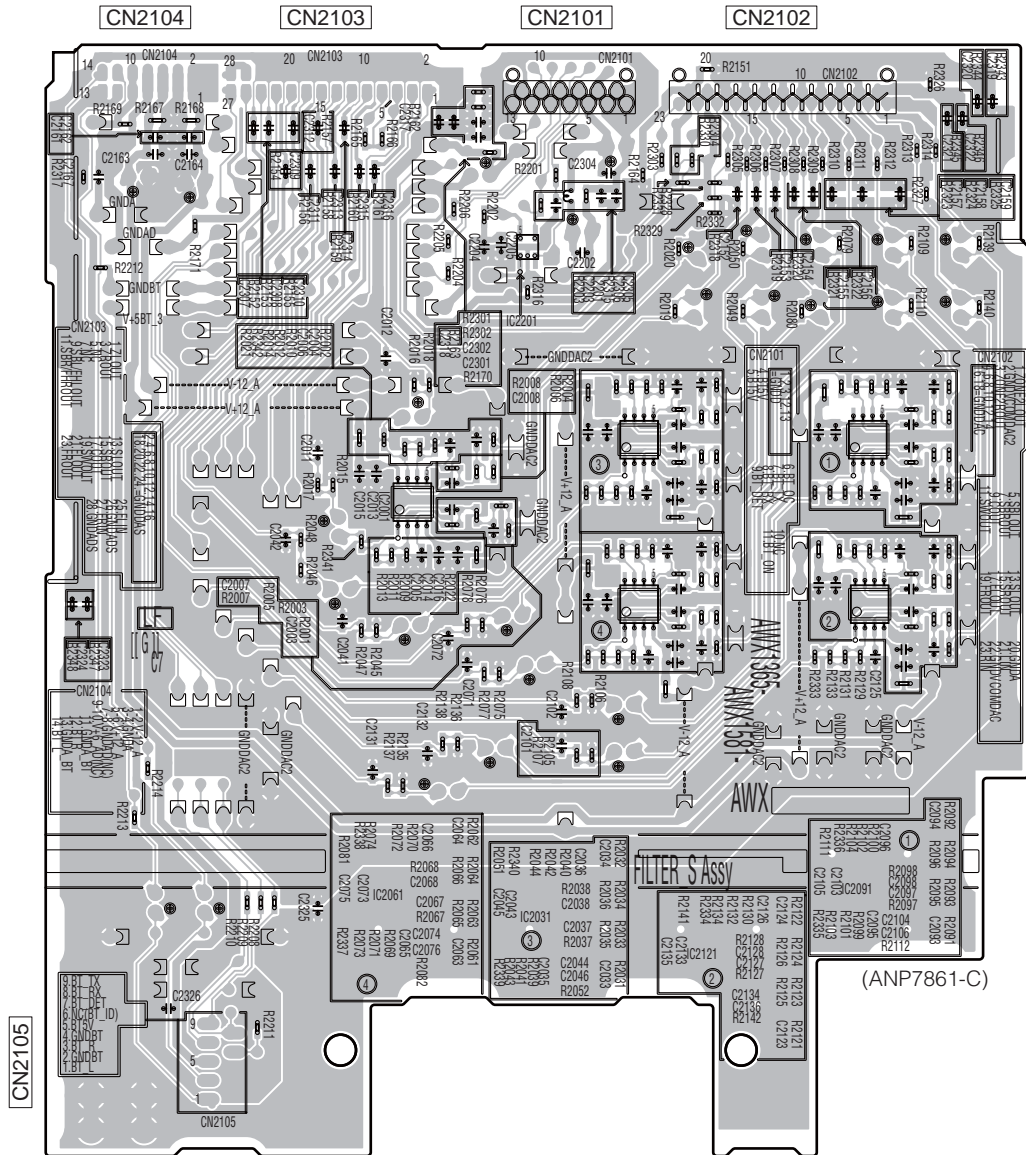
**B**

**B**

SIDE B

SIDE B

# B FILTER\_S ASSY



IC2001	IC2201	IC2031	IC2091
		IC2061	IC2121

B

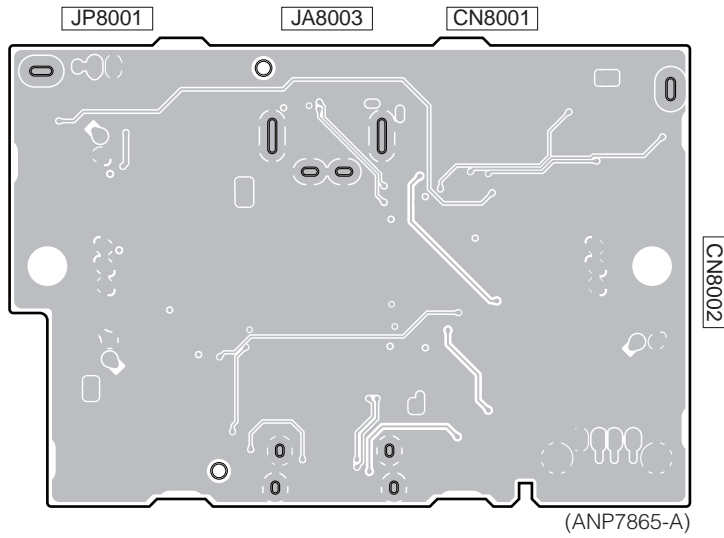
B



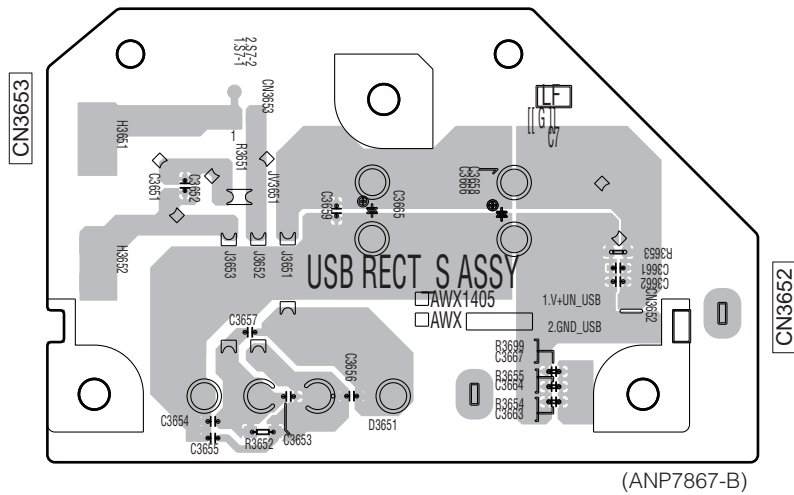
SIDE B

SIDE B

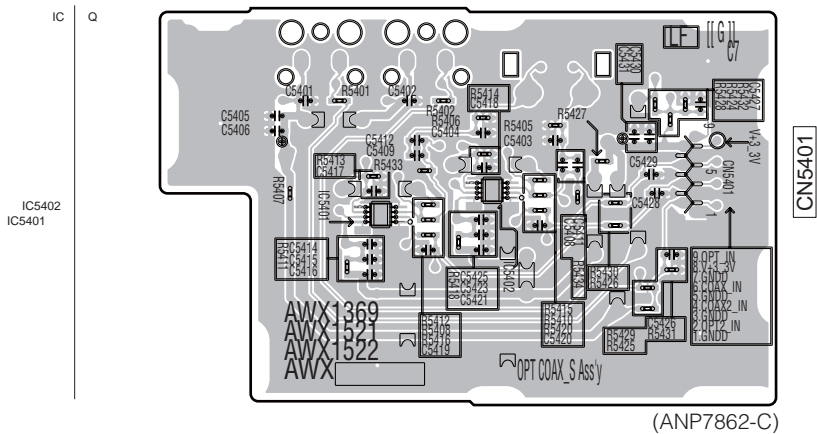
**C** FRONT HDMI USB ASSY



**D** USB RECT\_S ASSY



**E** OPT COAX\_S ASSY



**C D E**

**C D E**

# 11.4 DIGITAL MAIN\_L ASSY

**SIDE A**

## **F** DIGITAL MAIN\_L ASSY

**V** CN7901

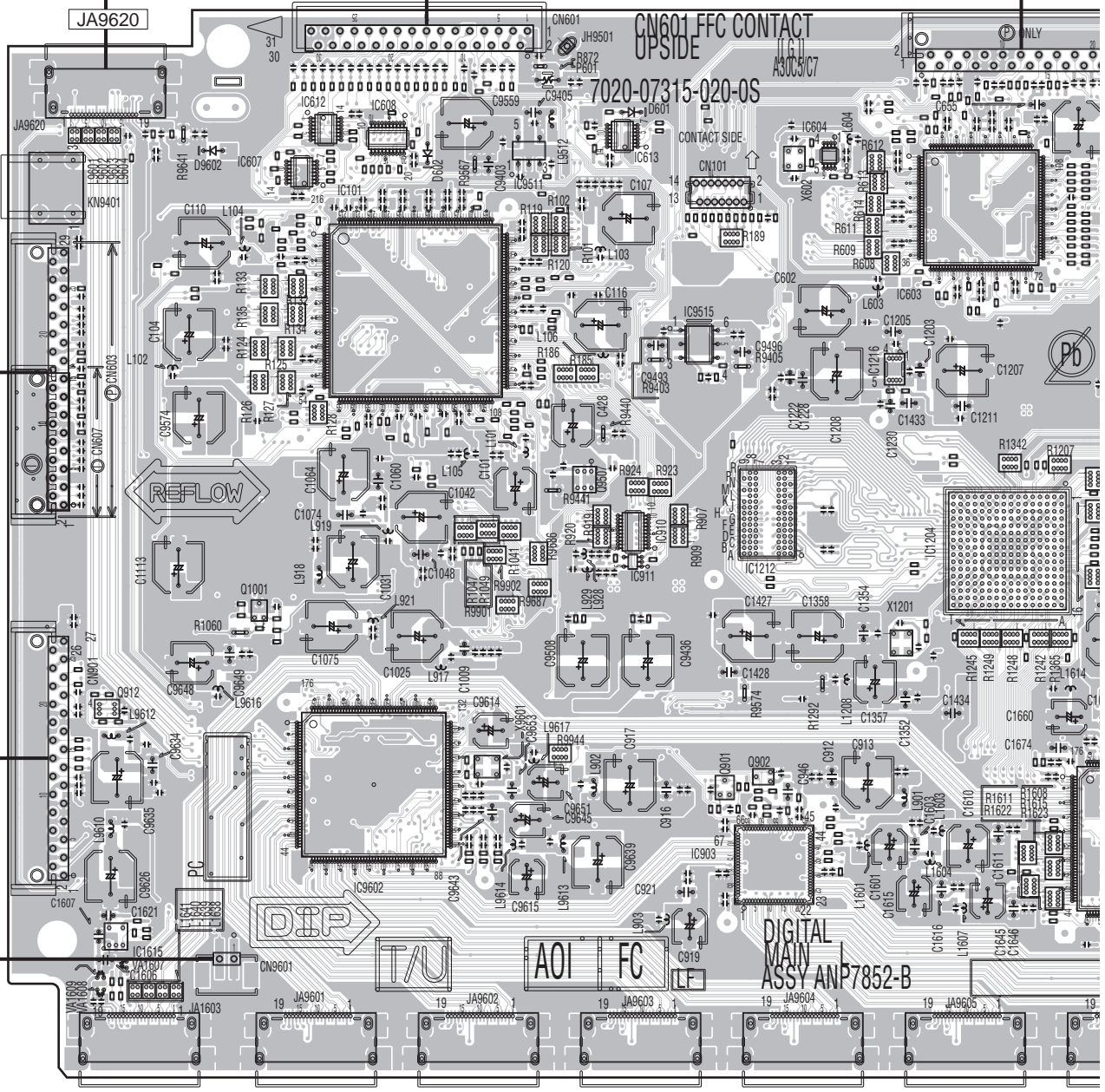
**Z** CN3771

**C** JA8003

JA9620

CN601

CN1502



Q	Q912	Q1001	Q9507	Q901	Q902										
IC	IC607	IC612	IC608	IC101	IC9511	IC613	IC910	IC911	IC9515	IC1212	IC903	IC604	IC1216	IC603	IC1204
	IC1615		IC9602												

**F**

**SIDE A**

A

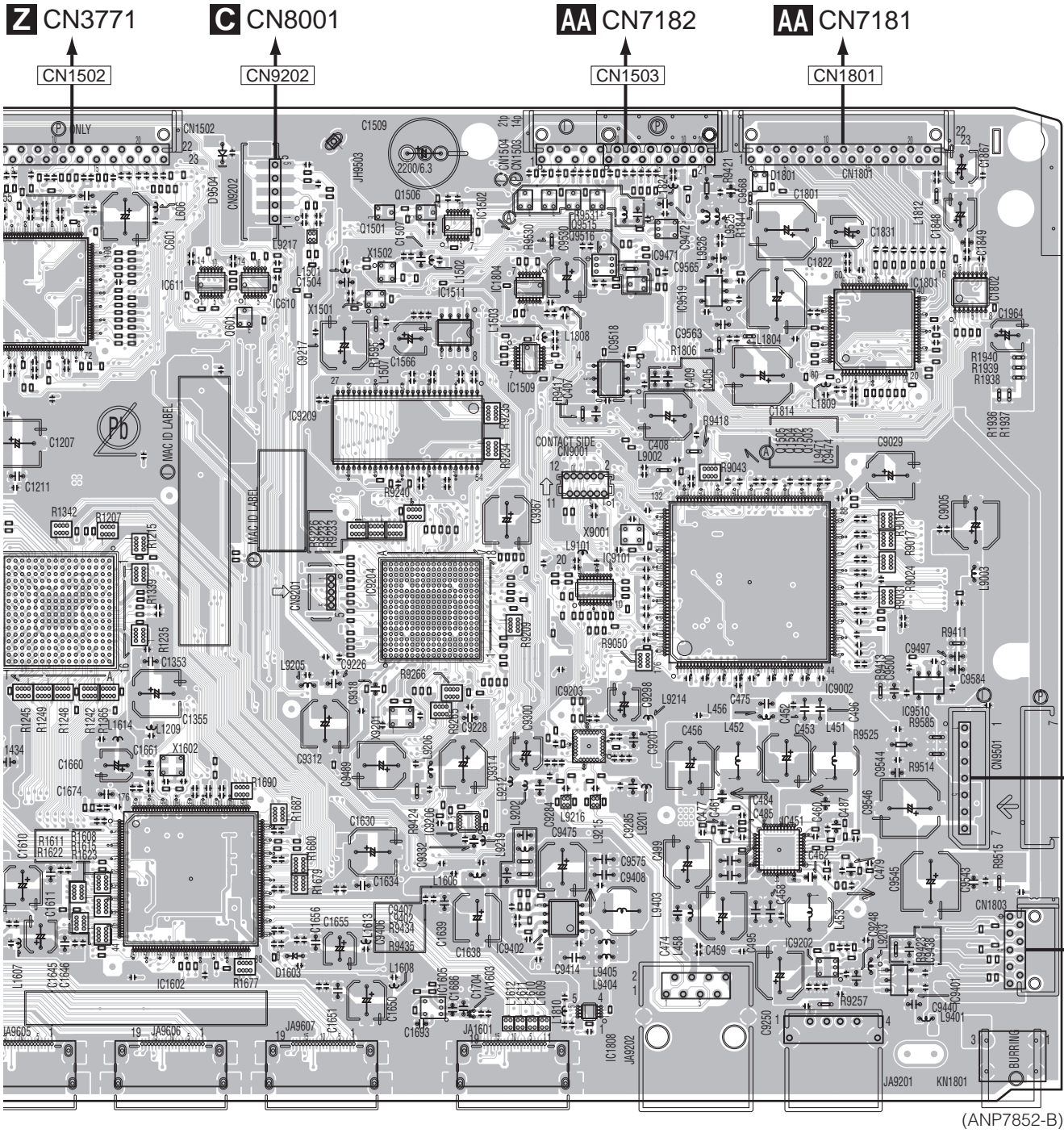
B

C

D

E

F



(ANP7852-B)

Q601 Q1501 Q1506 Q1505 Q1504 Q1503 Q1503 Q9516 Q9515

- IC603 IC1204 IC611 IC610 IC1502 IC1511 IC1804 IC1509 IC9101 IC9518 IC9471 IC9519 IC1801 IC1802 IC1602 IC9209 IC9204 IC9206 IC1605 IC1804 IC9402 IC1808 IC9200 IC451 IC9202 IC9401 IC9510

SC-72

**F**





SIDE B

A

B

C

D

E

F

CN1502

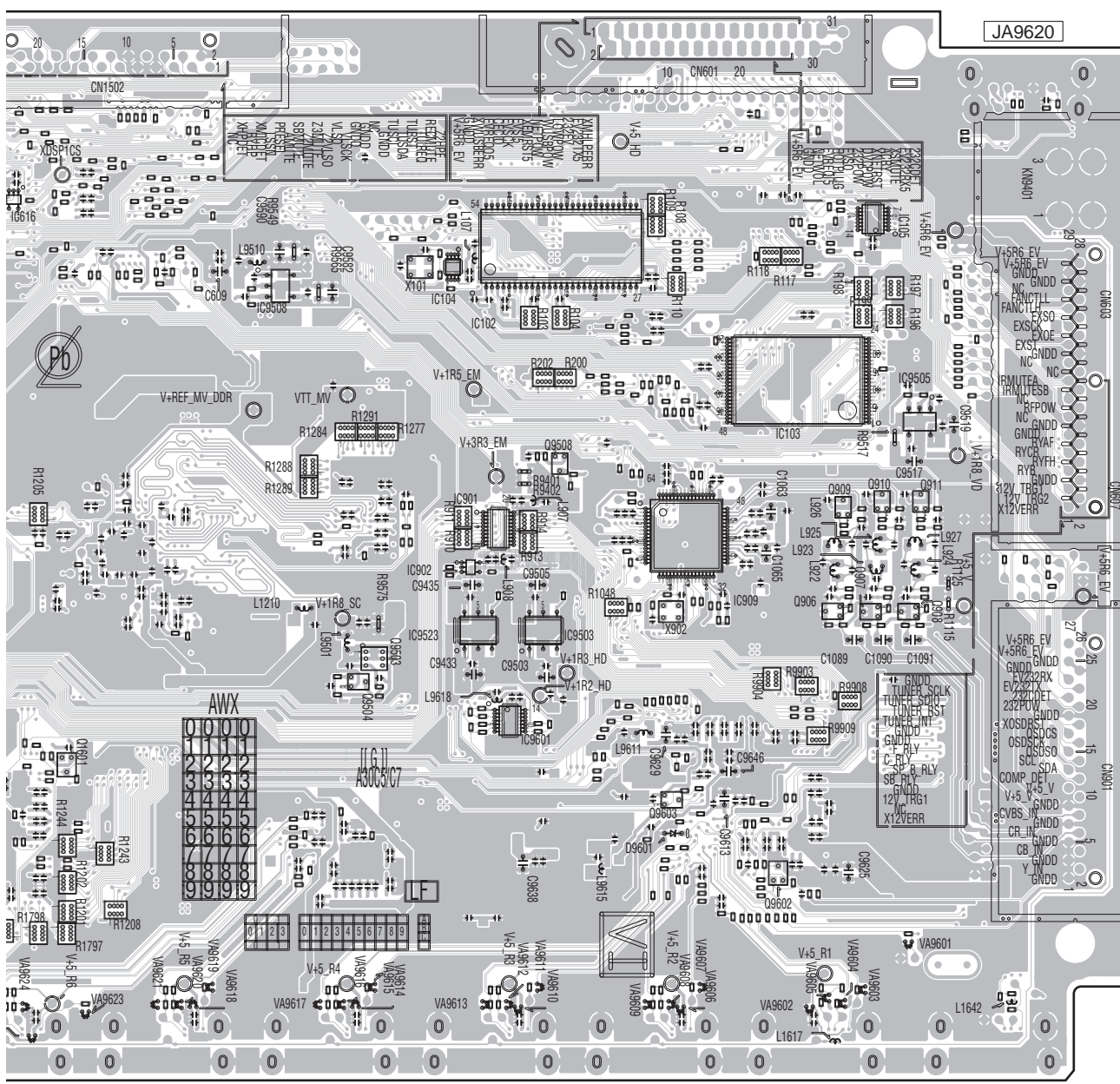
CN601

JA9620

CN603

CN901

CN9601



(ANP7852-B)



SC-72

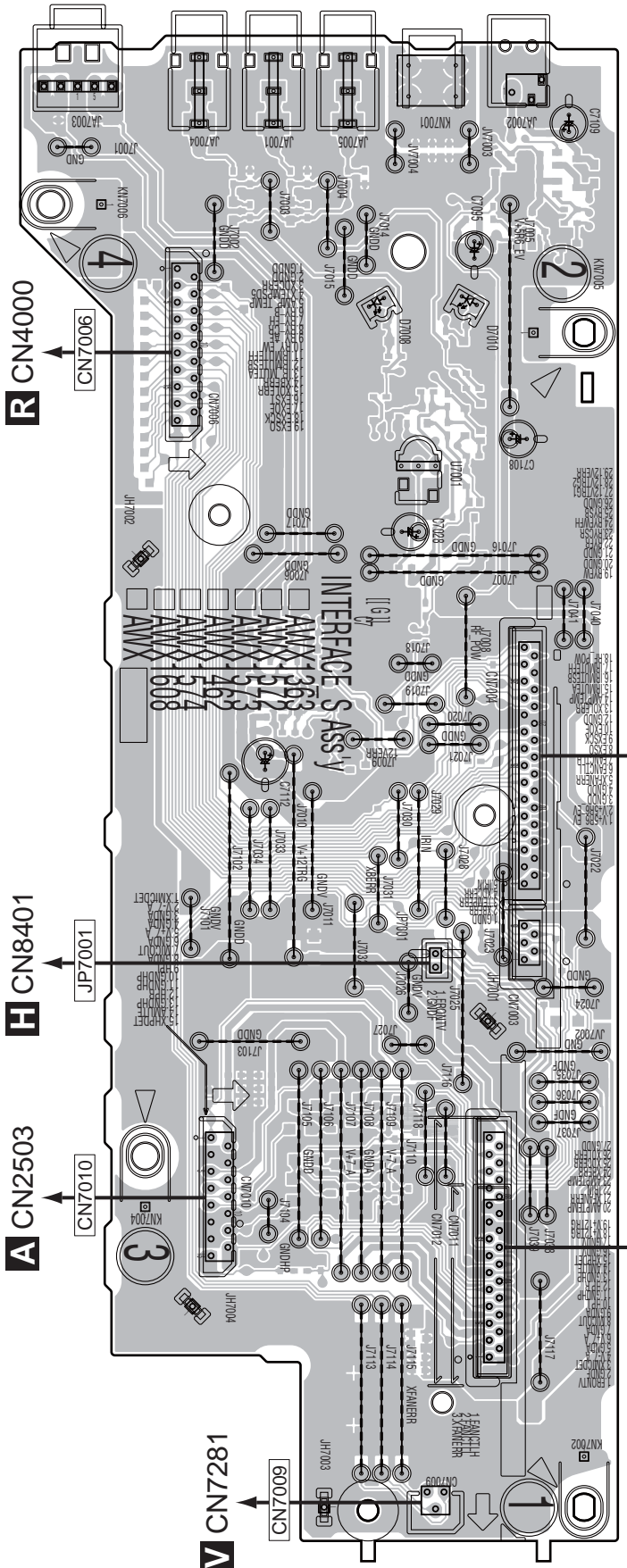


11.5 INTERFACE\_S ASSY

SIDE A

SIDE A

G INTERFACE\_S ASSY



G

G

SIDE B

SIDE B

# G INTERFACE\_S ASSY

A  
B  
C  
D  
E  
F

IC Q

Q7021  
Q7022

Q7023  
Q7024

Q7013  
Q7016 Q7015  
Q7014

Q7010 Q7008

Q7003

Q7002

Q7005

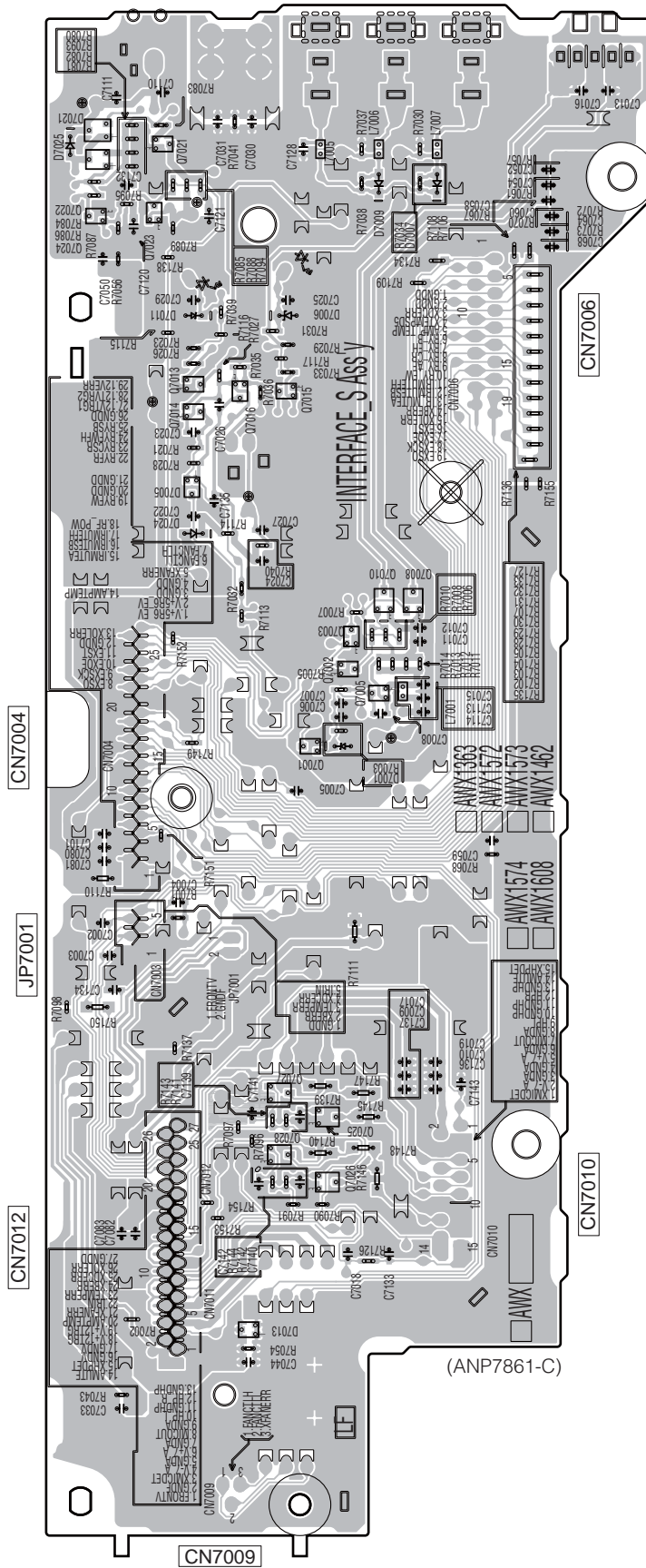
Q7001

Q7027

Q7025

Q7028

Q7026



G

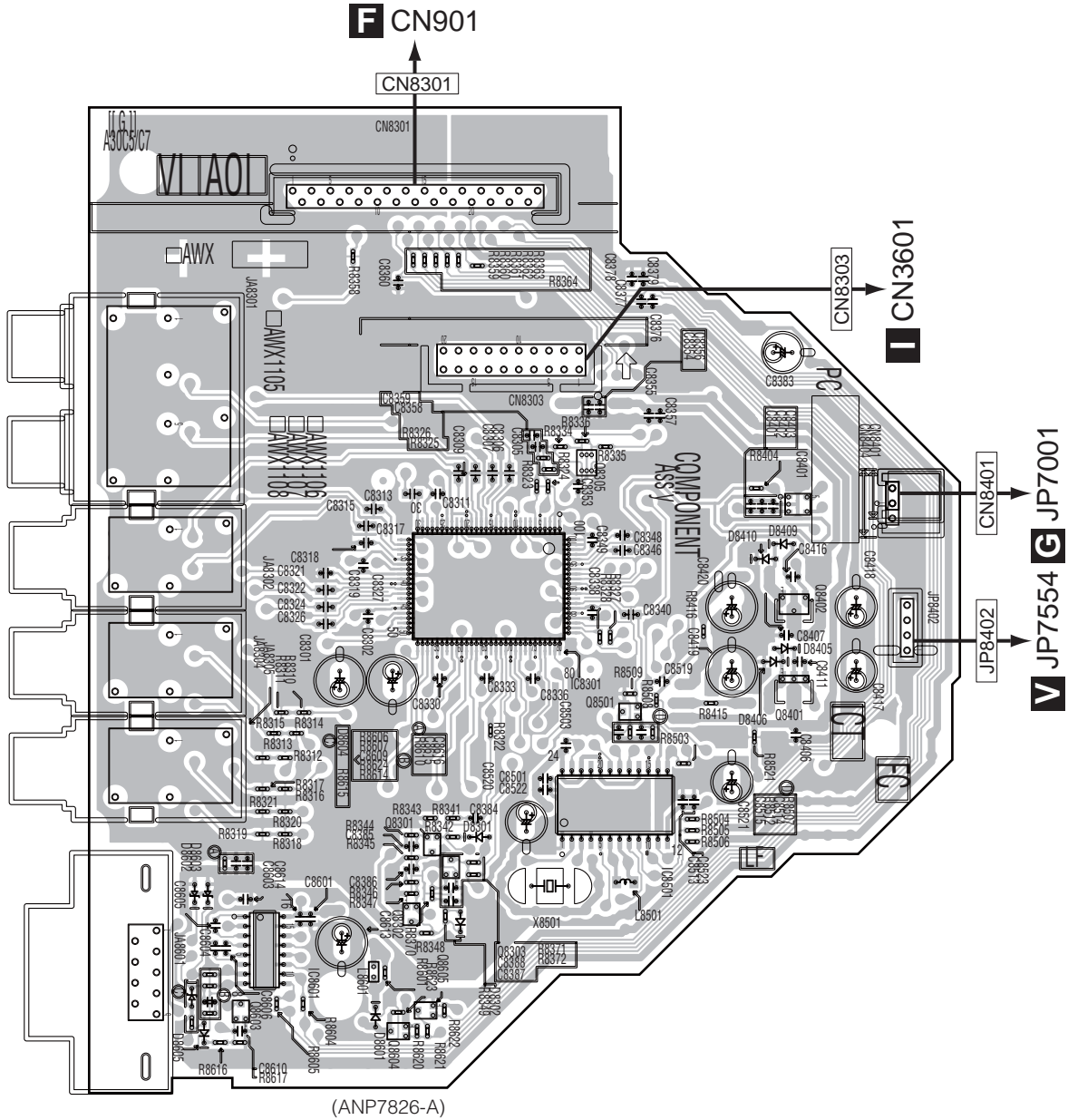
G

# 11.6 COMPONENT ASSY

SIDE A

SIDE A

## COMPONENT ASSY



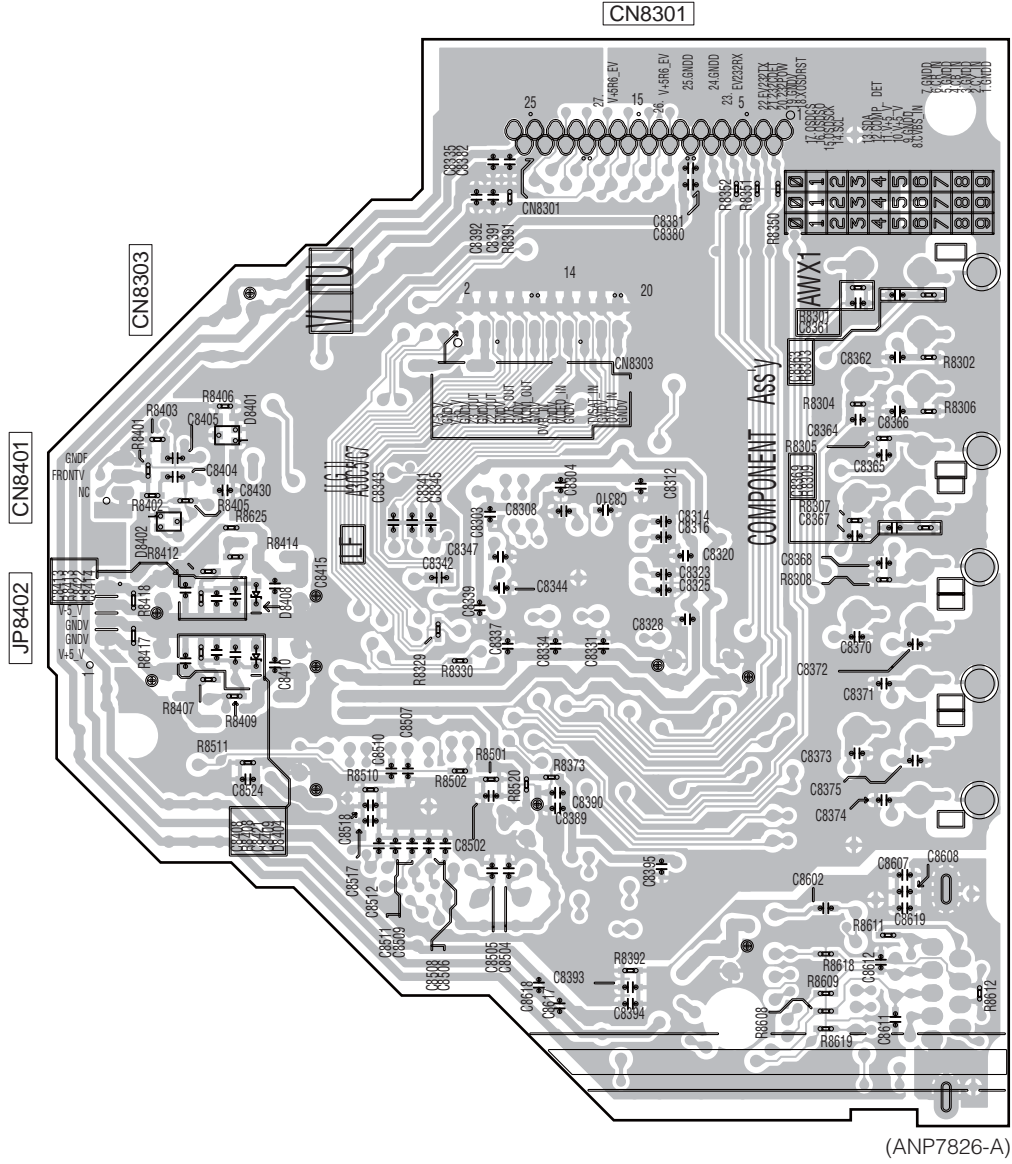
Q	Q8603	Q8301 Q8302 Q8604 Q8605	Q8305 Q8501	Q8402 Q8401
IC	IC8601	IC8301	IC8501	IC8401



SIDE B

SIDE B

# H COMPONENT ASSY



A  
B  
C  
D  
E  
F

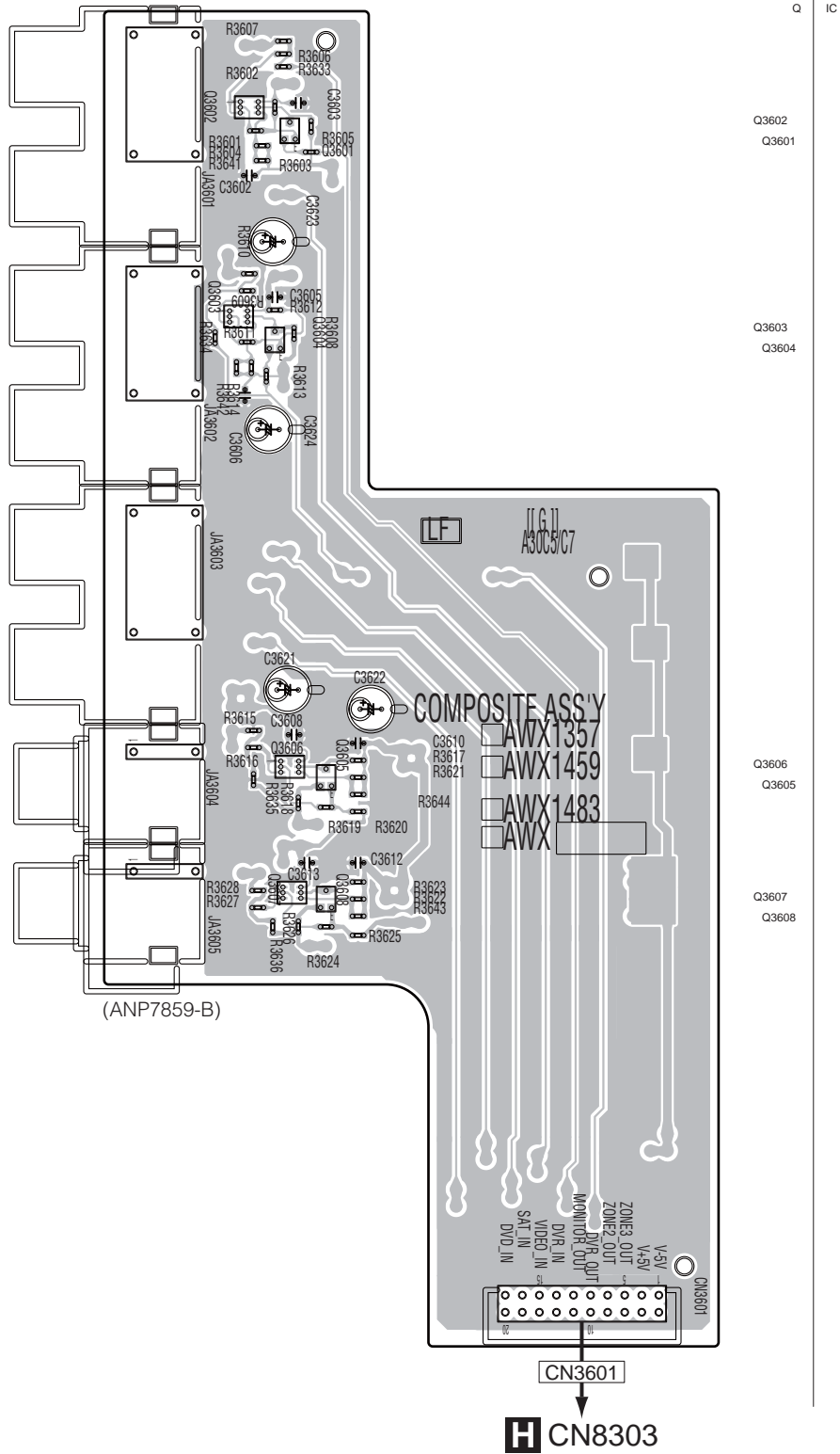


# 11.7 COMPOSITE ASSY

SIDE A

SIDE A

## COMPOSITE ASSY



SIDE B

SIDE B

A

# COMPOSITE ASSY

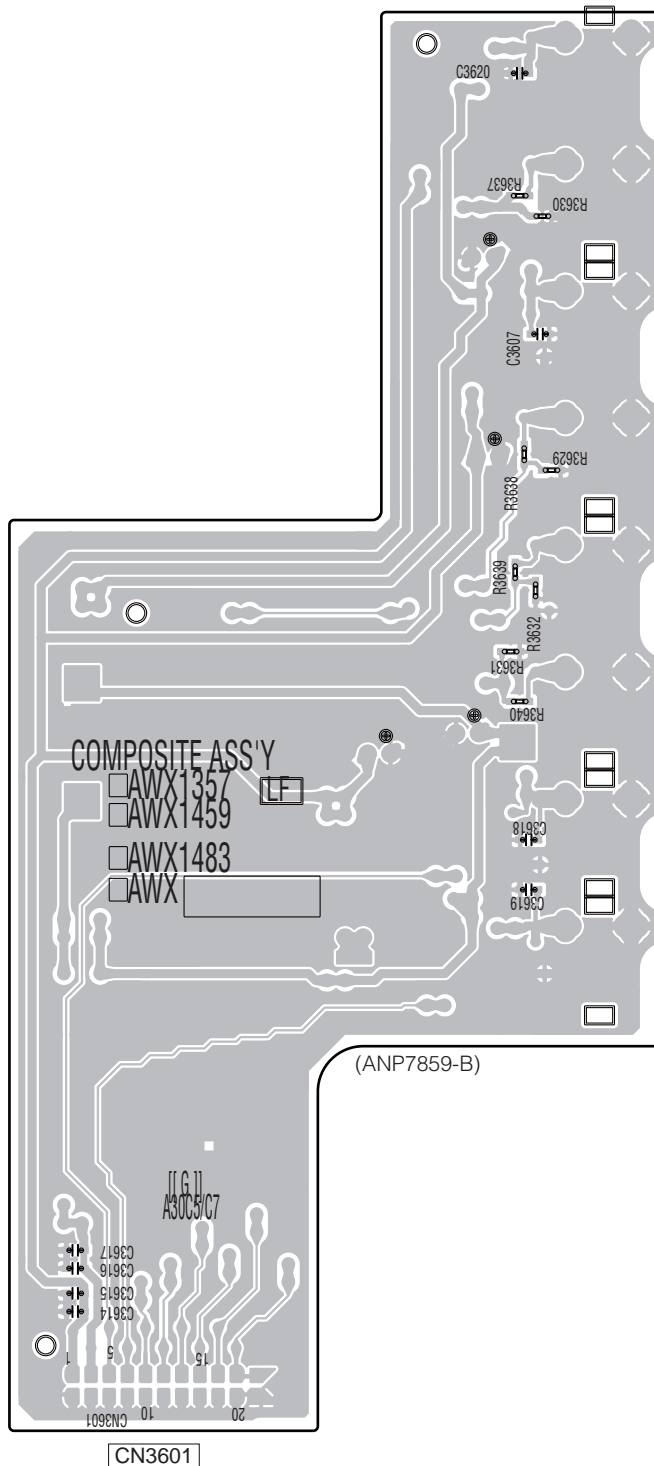
B

C

D

E

F

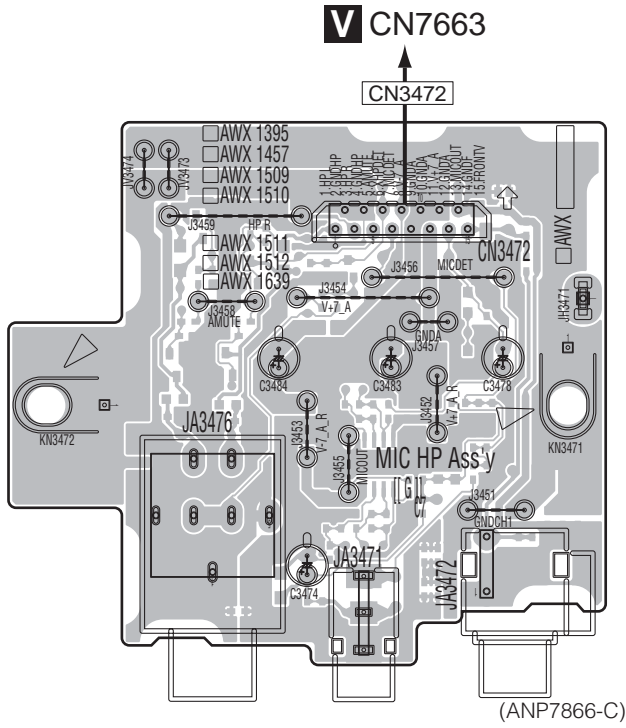


CN3601

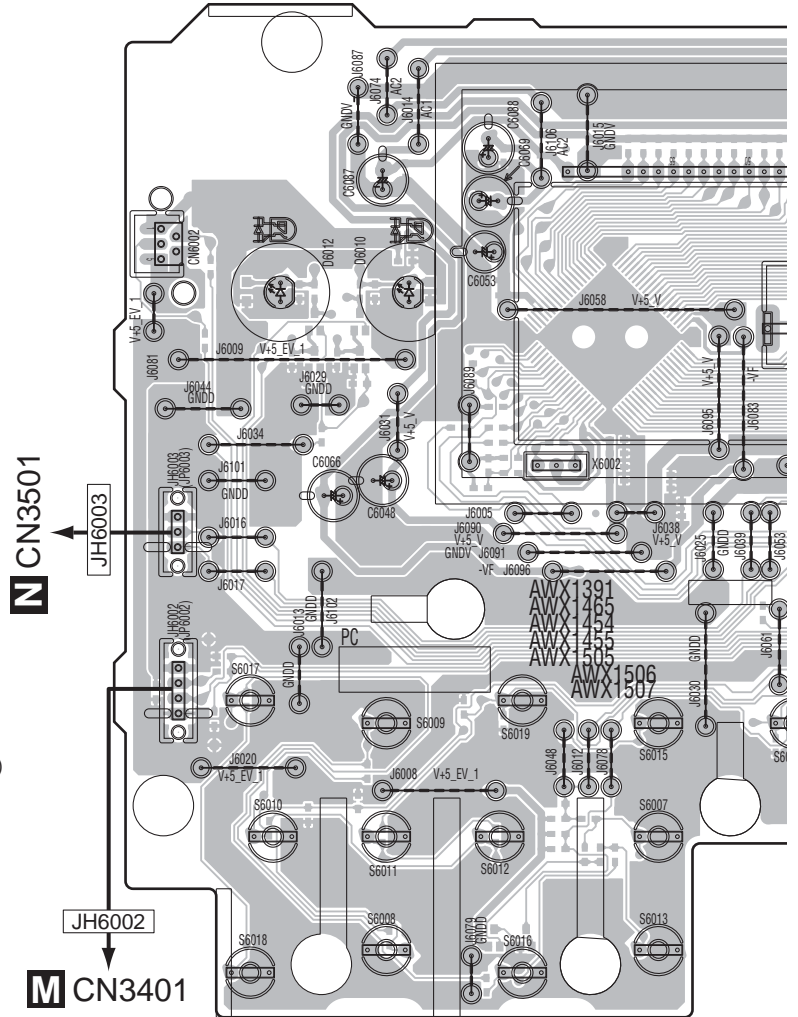
# 11.8 MIC HP, DISPLAY, VOL, POWER SW and ENCODER ASSYS

SIDE A

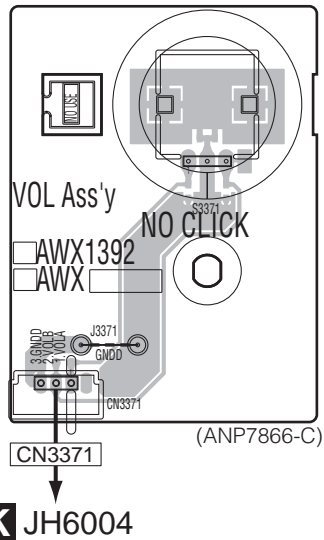
## J MIC HP ASSY



## K DISPLAY ASSY

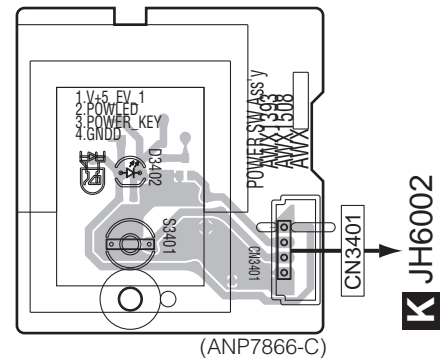


## L VOL ASSY



K JH6004

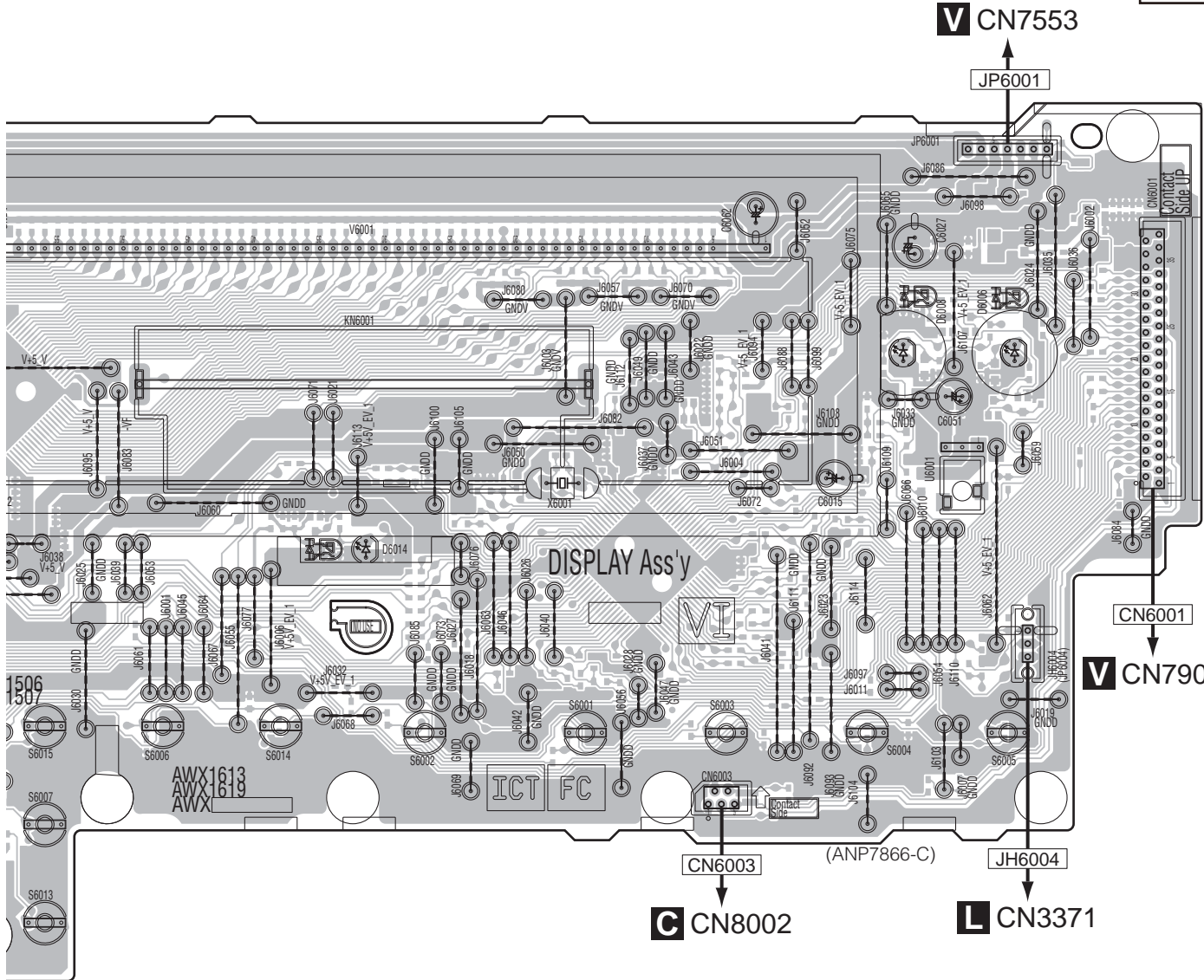
## M POWER SW ASSY



J K L M



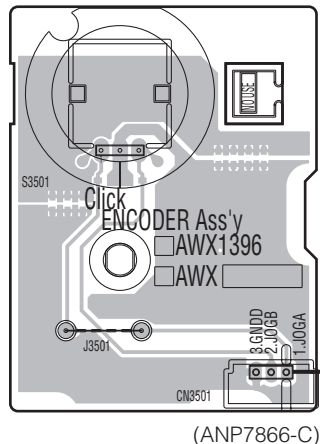
**SIDE A**



A  
B  
C  
D  
E  
F

**K** JH6002

**N ENCODER ASSY**

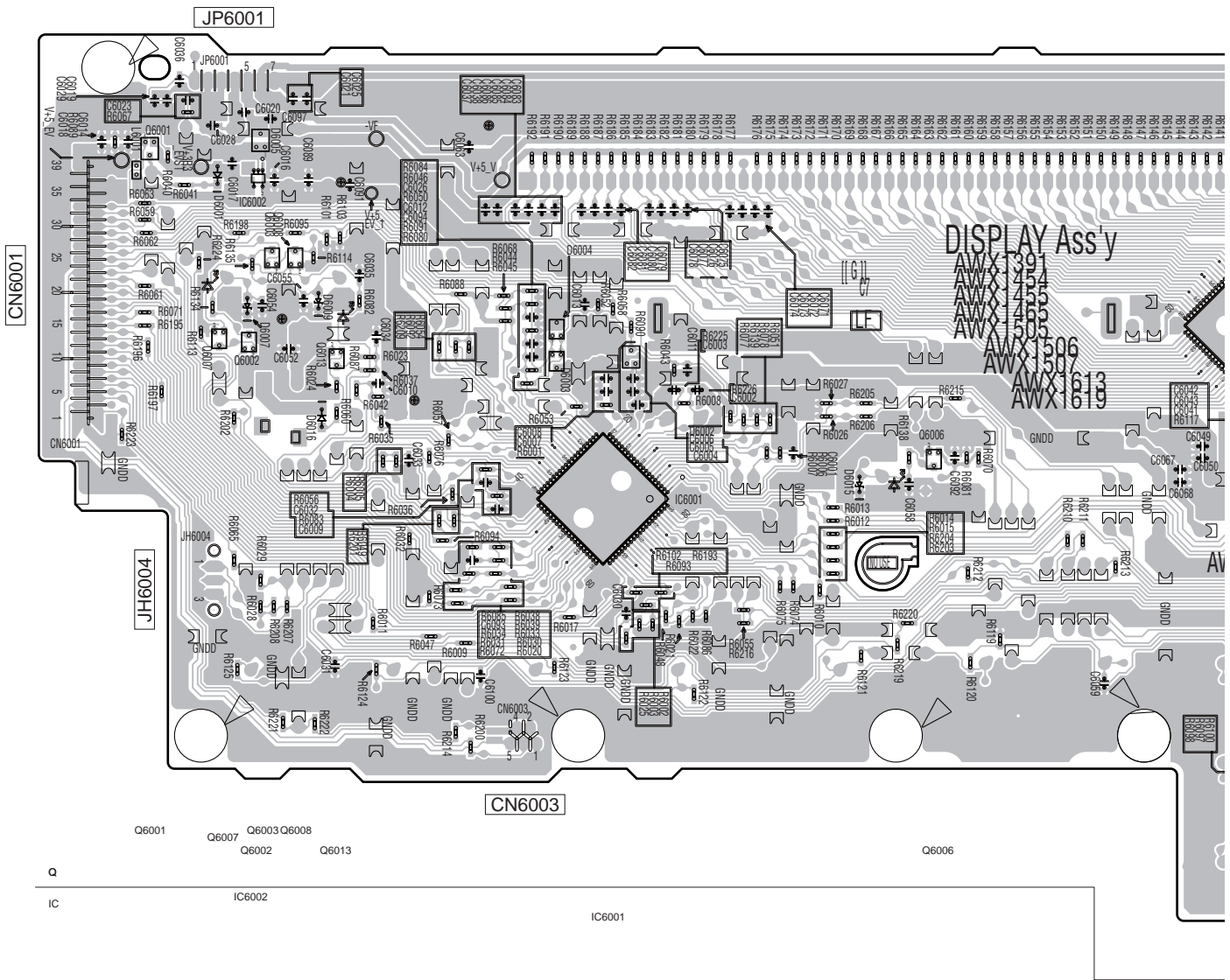


**K** JH6003

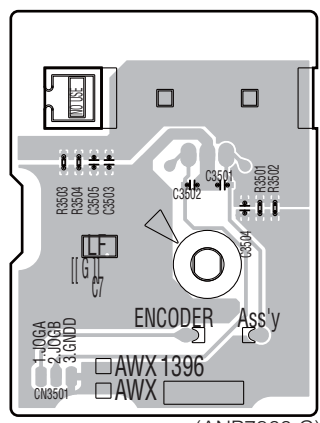
**SIDE B**

**K DISPLAY ASSY**

A  
B  
C  
D  
E  
F



**N ENCODER ASSY**

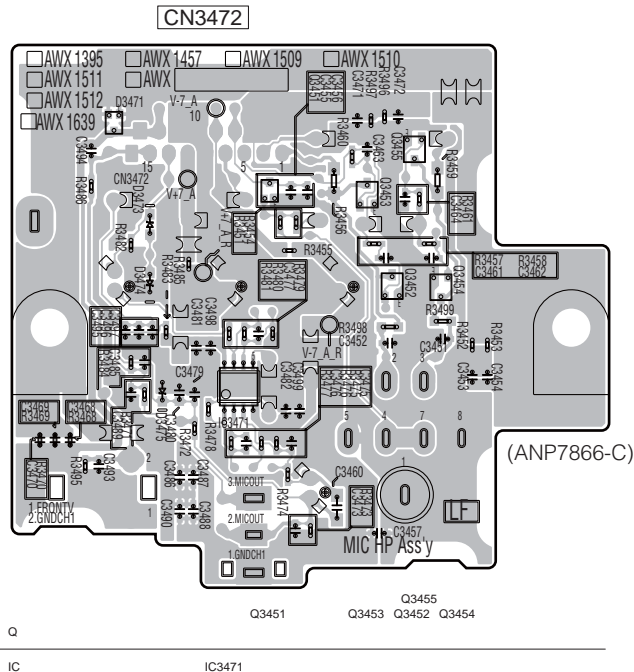
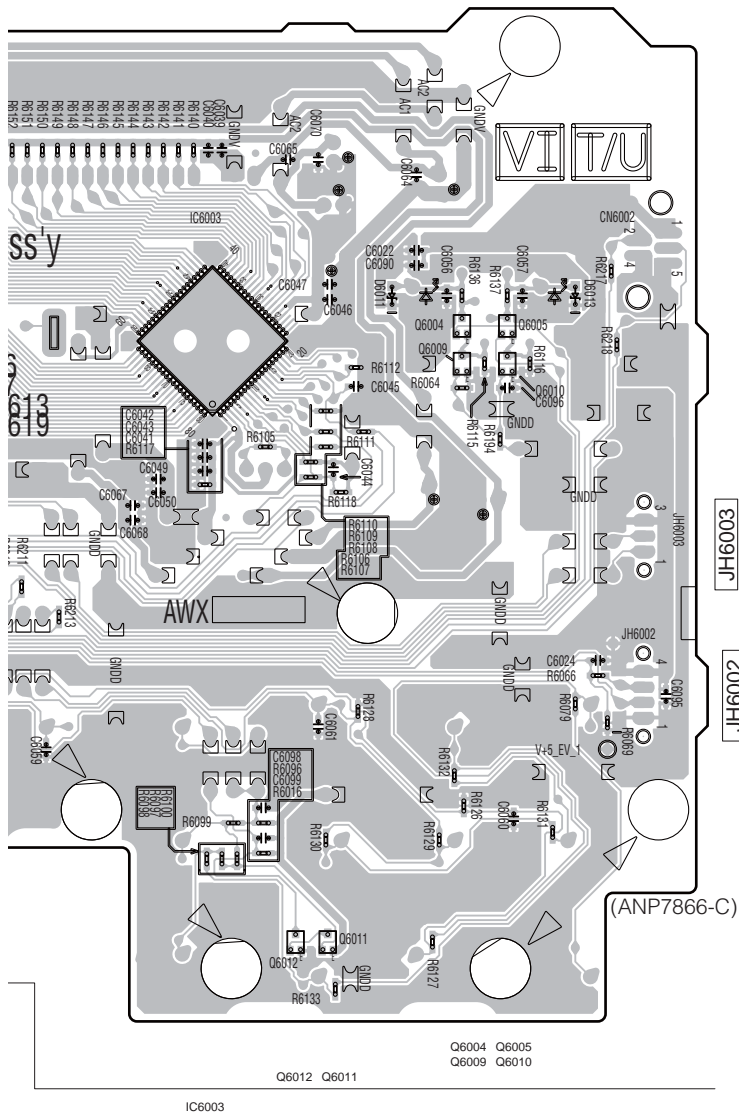


CN3501 (ANP7866-C)

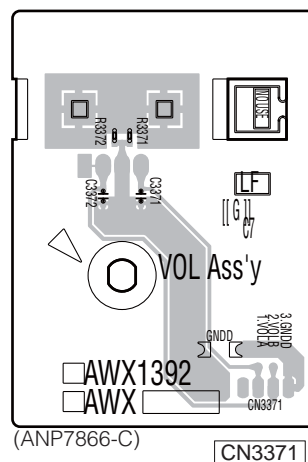
**K N**

**SIDE B**

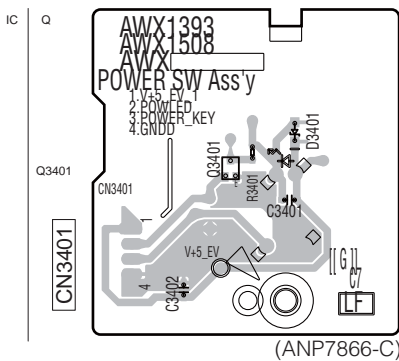
**J MIC HP ASSY**



**L VOL ASSY**



**M POWER SW ASSY**

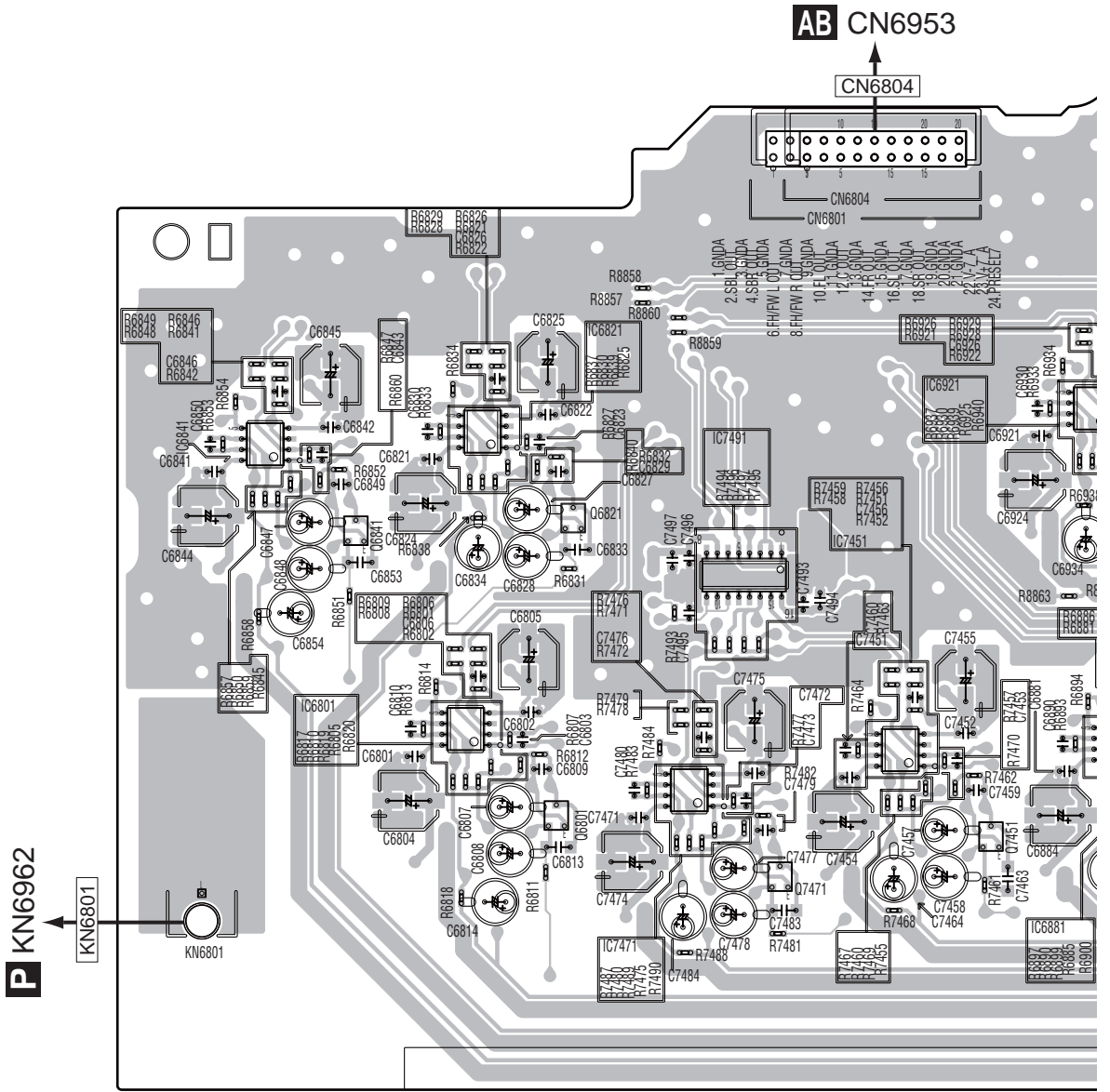


**J K L M**

# 11.9 IR BUFFER\_S ASSY

**SIDE A**

## IR BUFFER\_S ASSY



**P** KN6962  
KN6801

**AB** CN6953

CN6804

Q	Q6841	Q6821	Q7471	Q7451
IC	IC6841	IC6821 IC6801	IC7471	IC7491
			IC7451	IC6891

SC-72

SIDE A

A

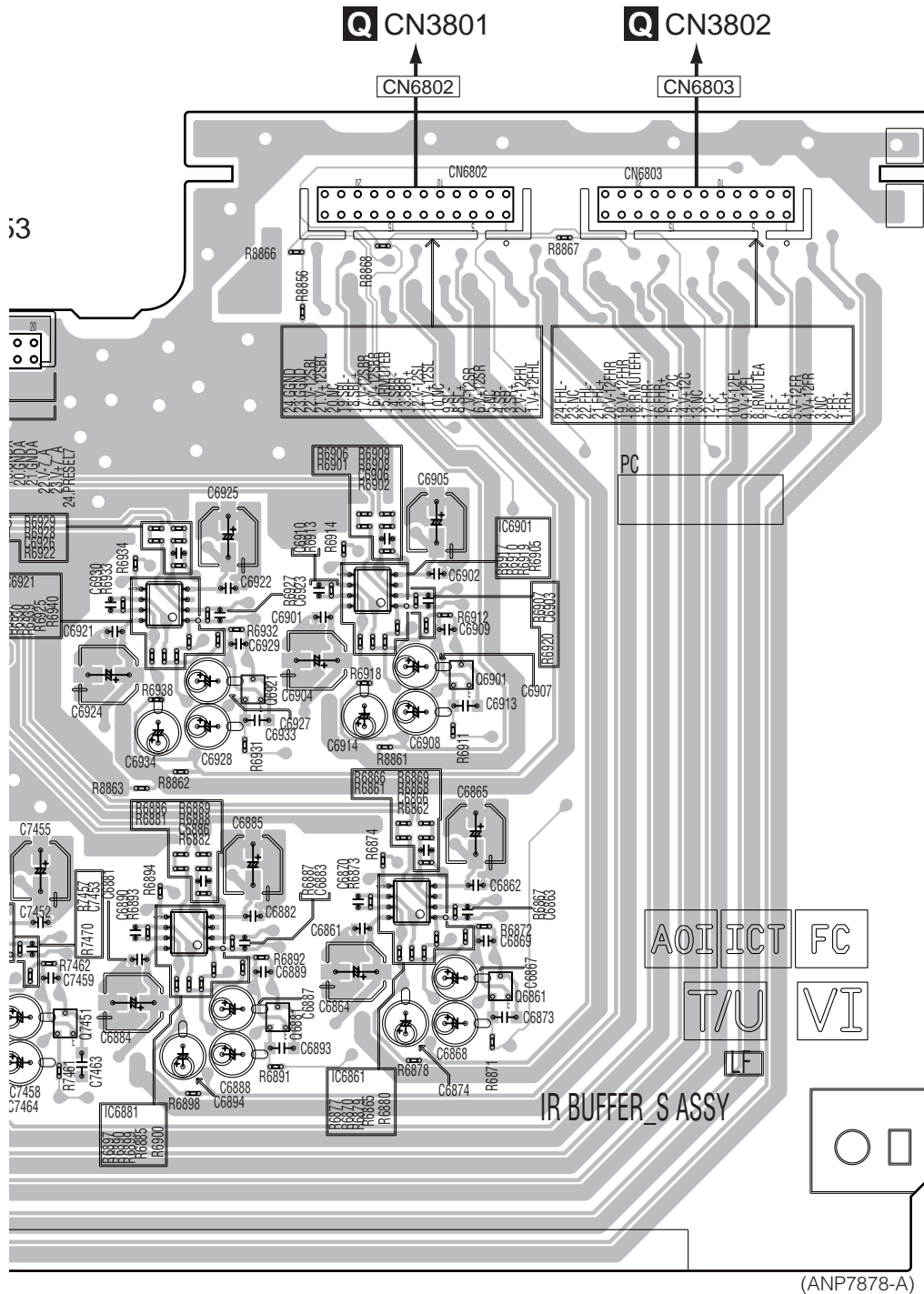
B

C

D

E

F



SIDE B

# IR BUFFER\_S ASSY

A

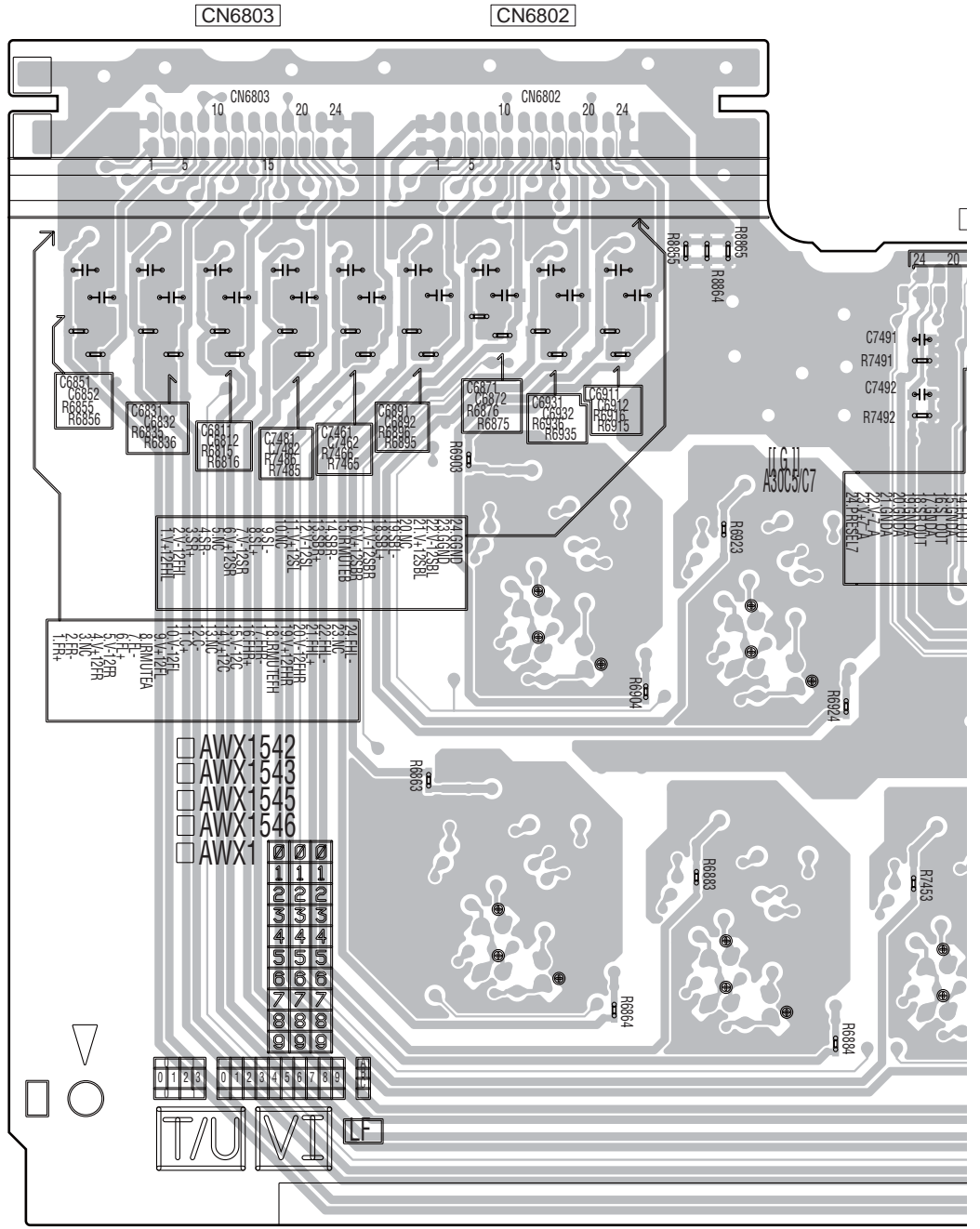
B

C

D

E

F



SIDE B

A

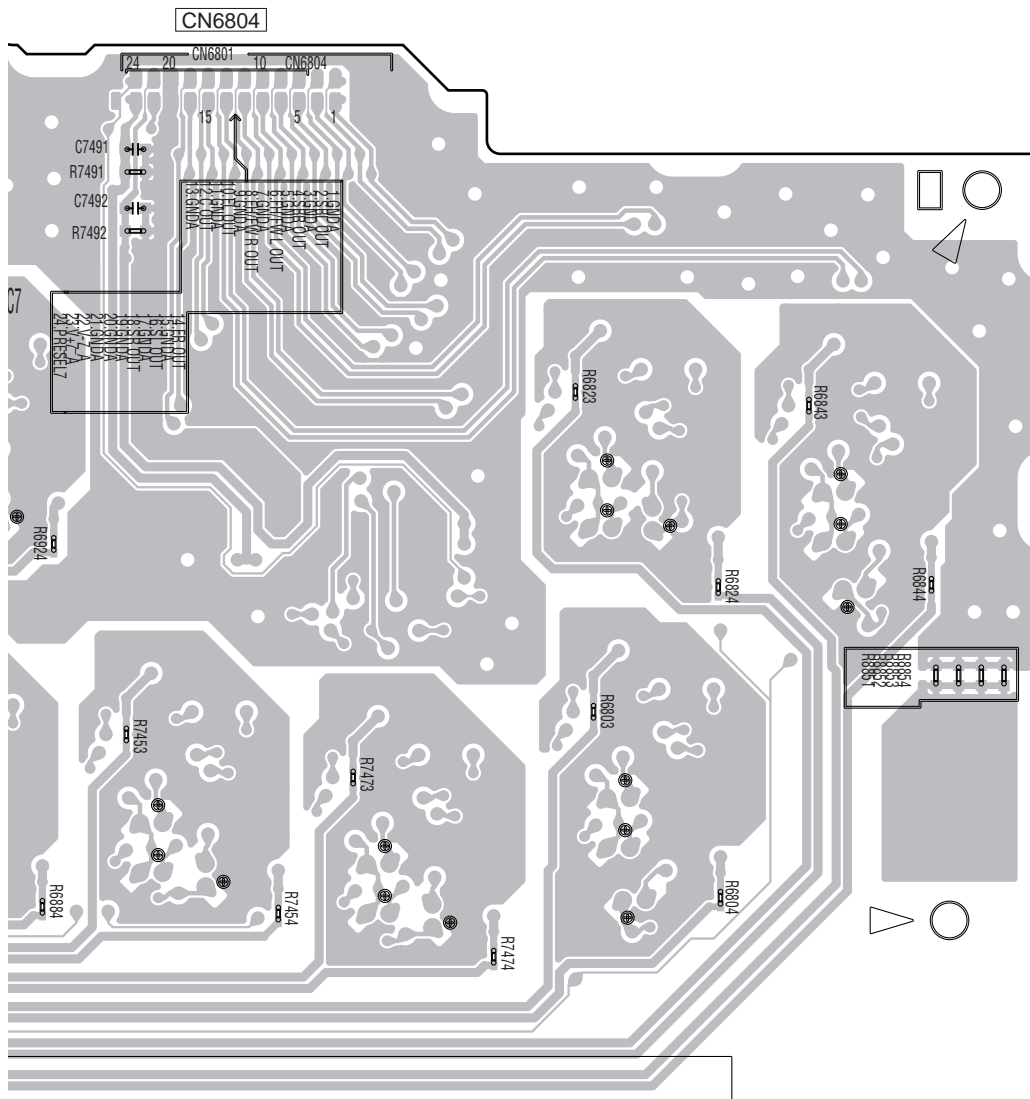
B

C

D

E

F



KN6801

(ANP7878-A)

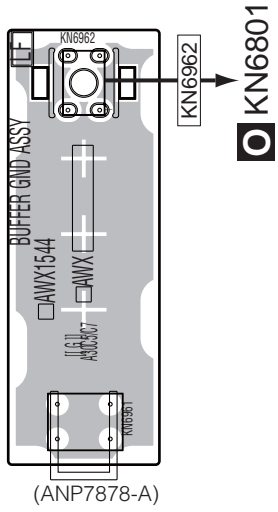


# 11.10 BUFFER GND\_S ASSY and IR INTERFACE\_S ASSY

**SIDE A**

**SIDE A**

## **P** BUFFER GND\_S ASSY



## **Q** IR INTERFACE\_S ASSY

**Q** CN6802

**Q** CN6803

**R** CN4200

**R** CN4300

**R** CN4800

**R** CN4380

**R** CN4400

**R** CN4500

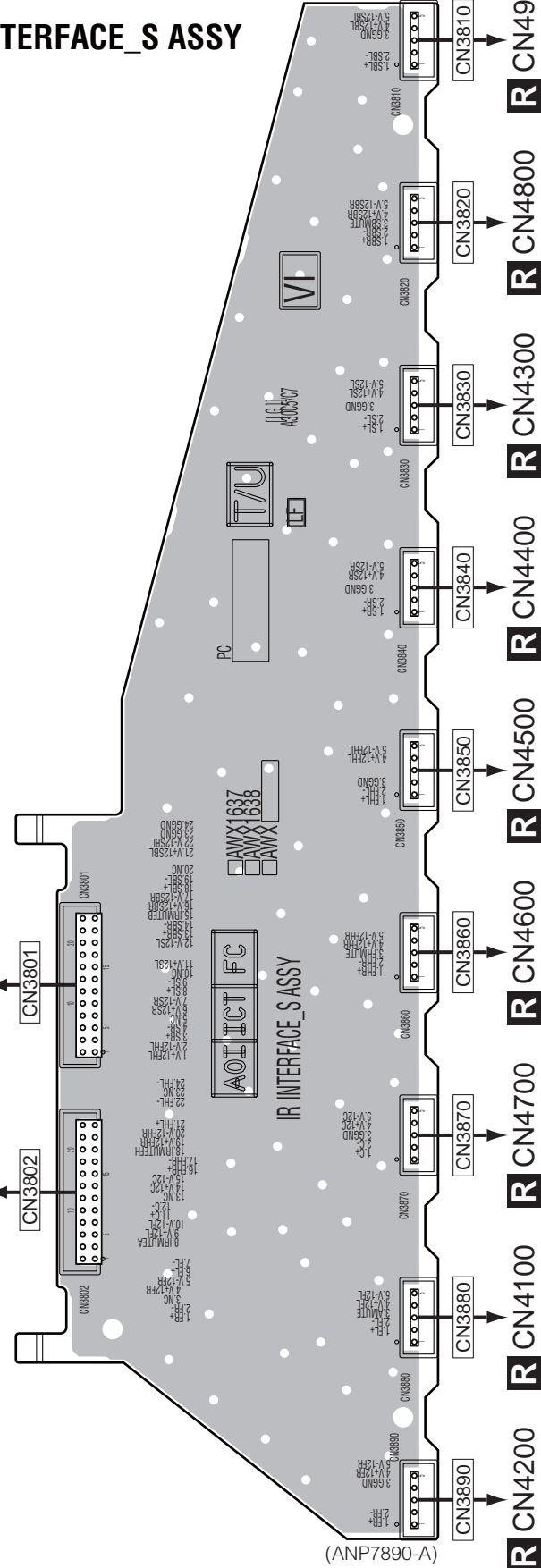
**R** CN4600

**R** CN4700

**R** CN4100

**R** CN4800

**R** CN4900



**P** **Q**

**P** **Q**



**SIDE B**

**SIDE B**

A

B

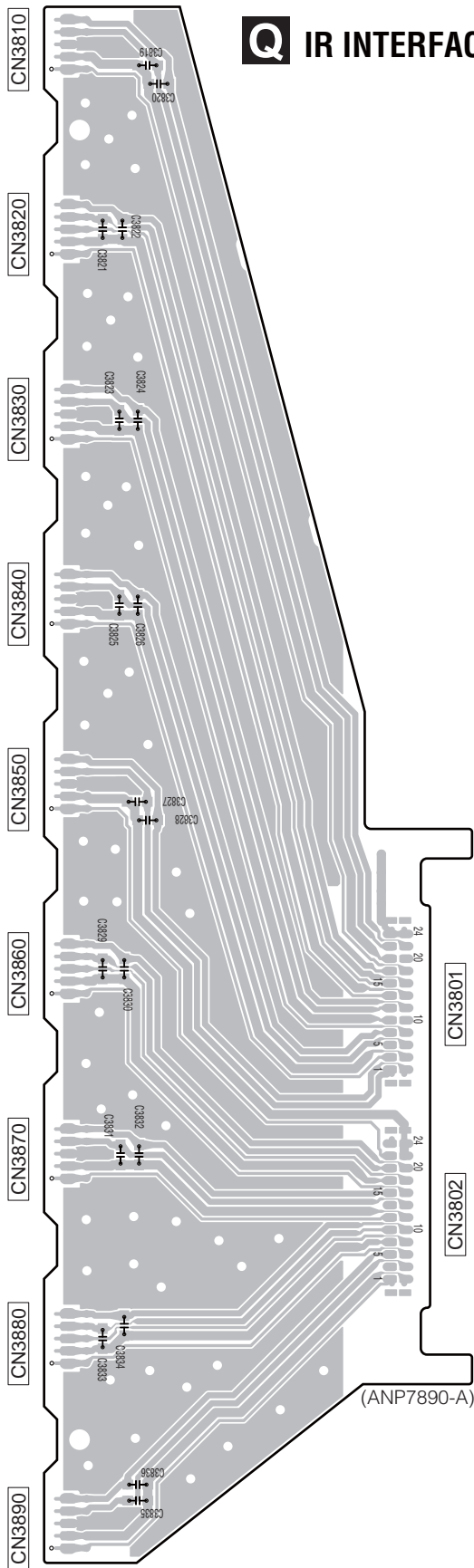
C

D

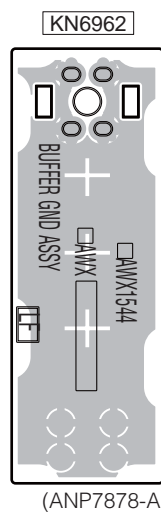
E

F

### **Q** IR INTERFACE\_S ASSY



### **P** BUFFER GND\_S ASSY



**P** **Q**

**P** **Q**

# 11.11 D-AMP\_S ASSY

**SIDE A**

## **R** D-AMP\_S ASSY

**Q** CN3890    **Q** CN3880    **Q** CN3870    **Q** CN3860    **Q** CN3850

CN4200    CN4100    CN4700    CN4600    CN4500

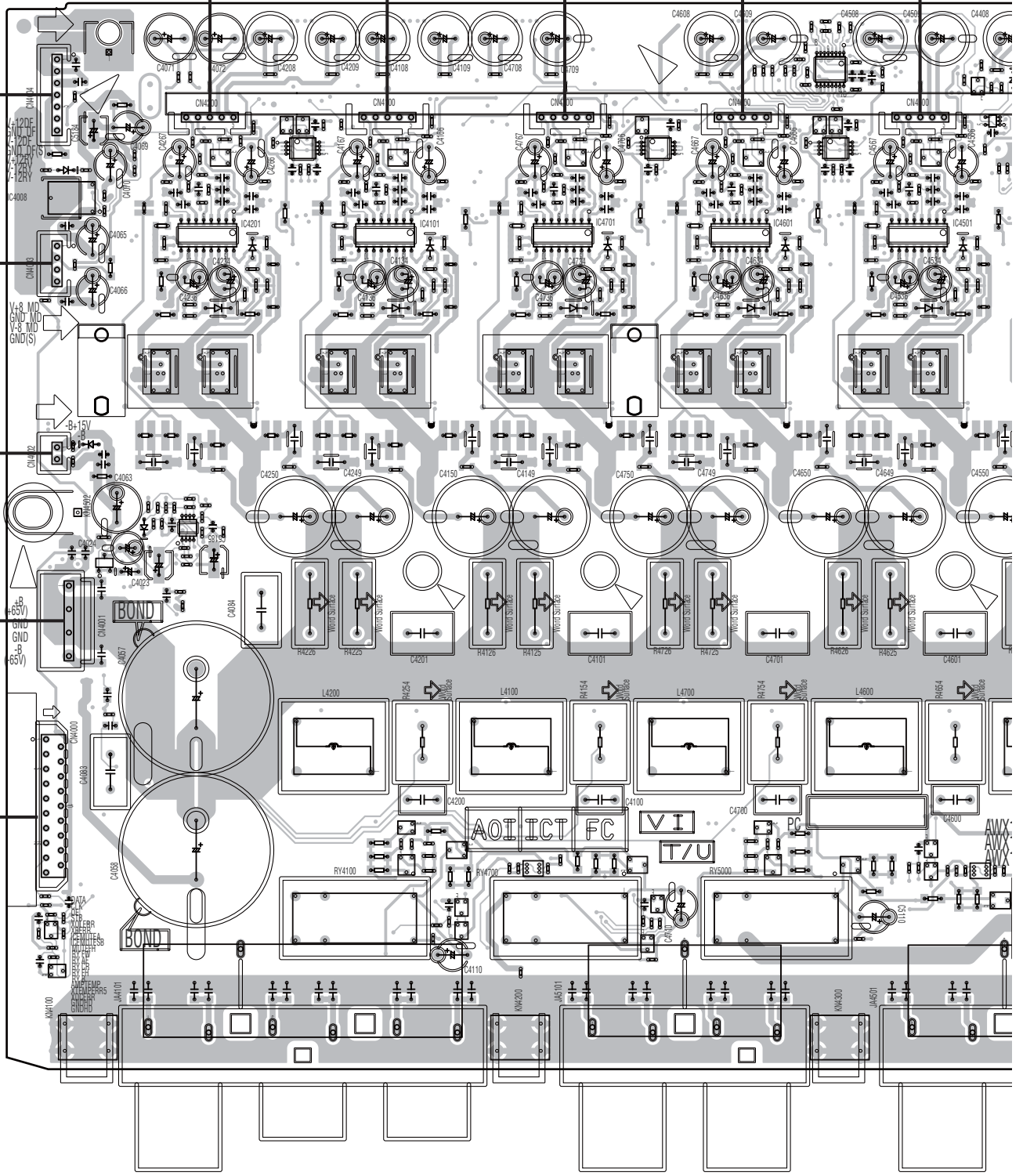
**V** CN7251

**U** CN7271

**U** CN7241

**U** CN7401

**G** CN7006

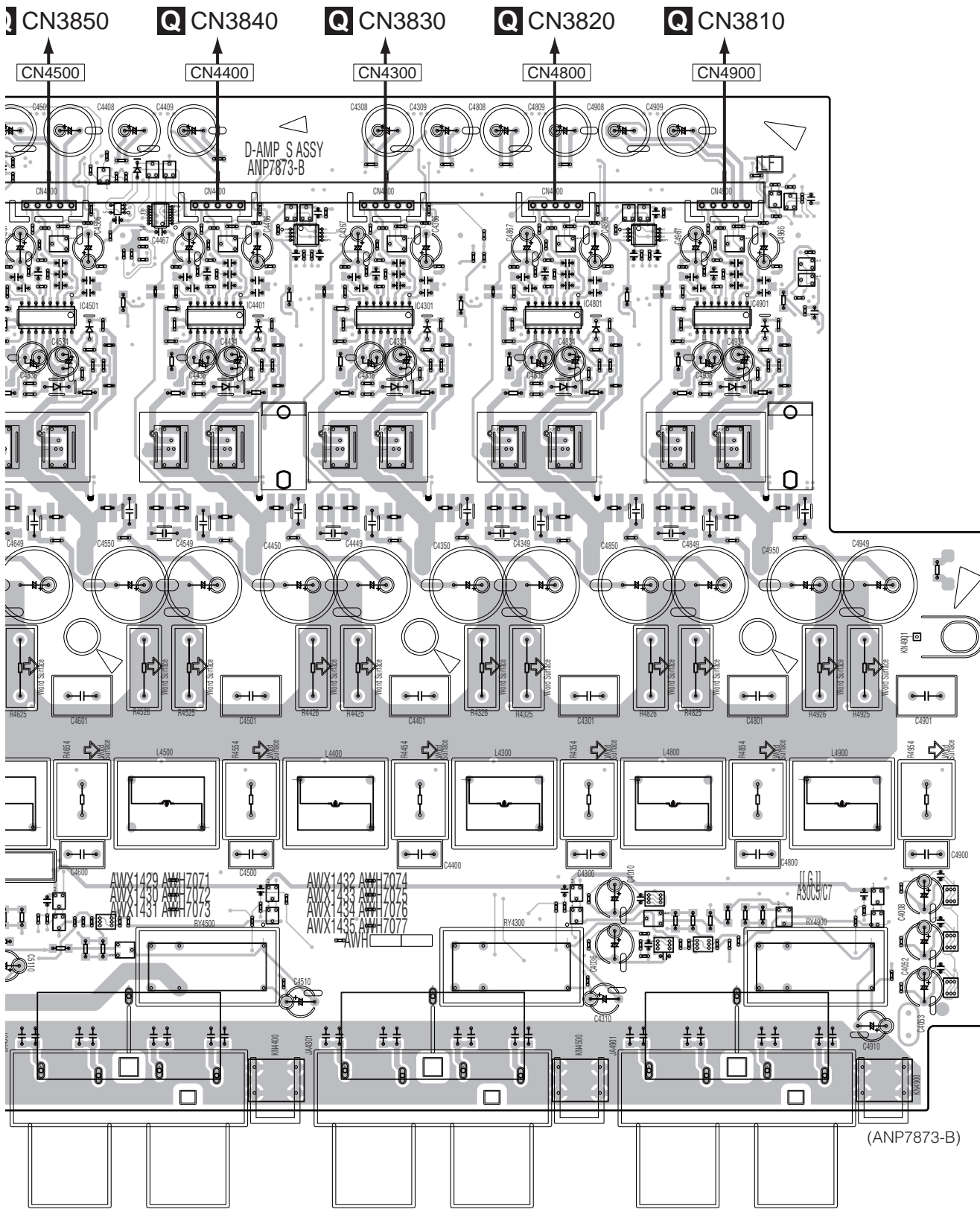


IC    IC4201    IC4101    IC4701    IC4601    IC4501

**R**

SIDE A

A  
B  
C  
D  
E  
F



IC4501 IC4401 IC4301 IC4801 IC4901

SC-72

**SIDE B**

A

**R** D-AMP\_S ASSY (CUXJ MODEL, UXJCB MODEL)

B

C

D

E

F

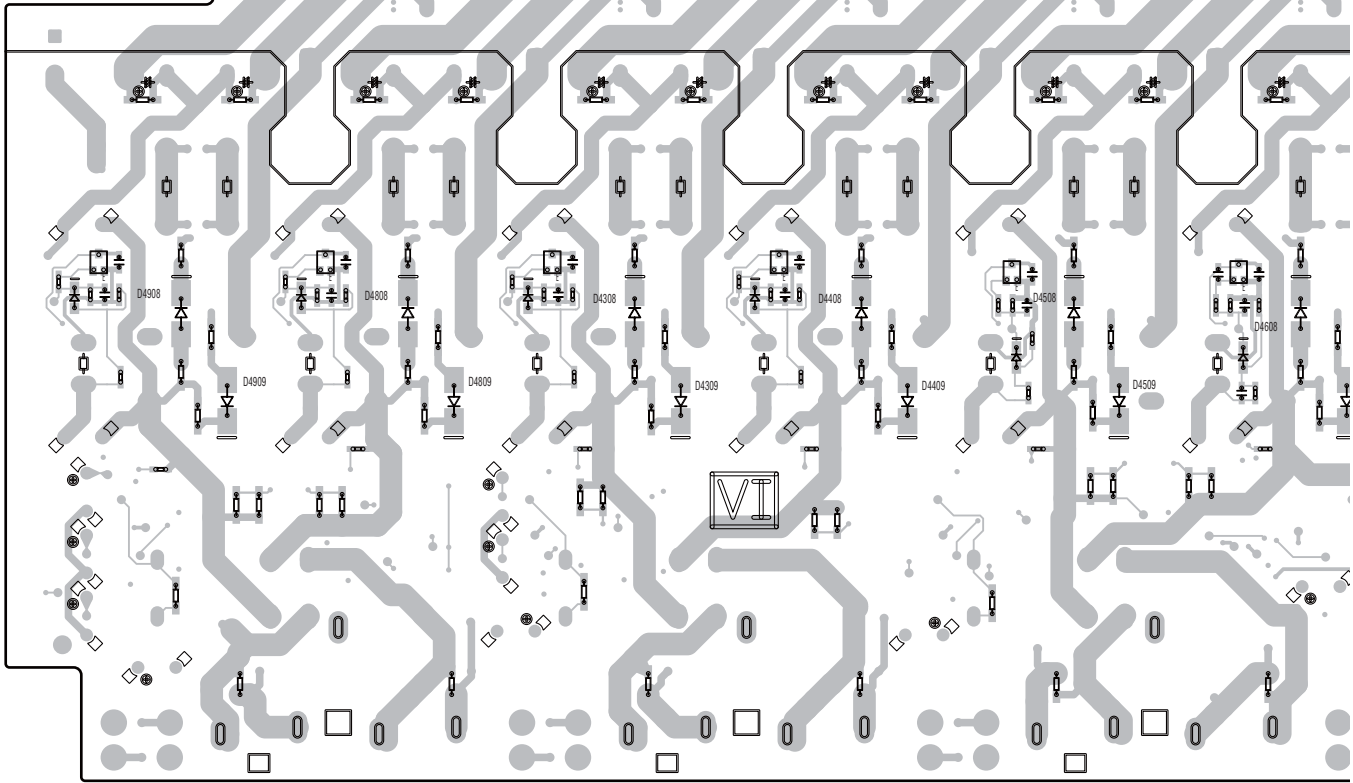
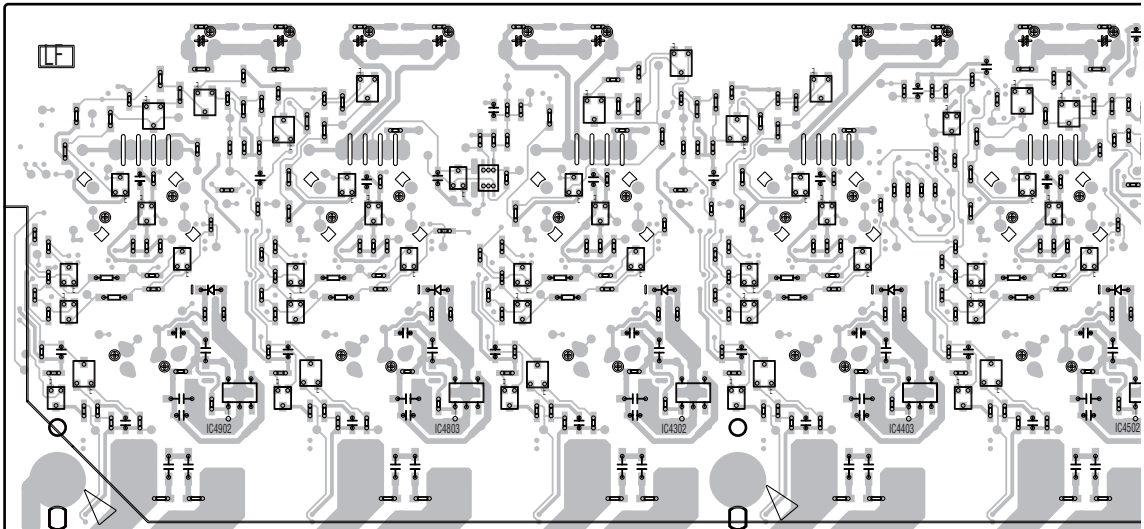
CN4900

CN4800

CN4300

CN4400

CN4500



Q

IC

IC4902

IC4803

IC4302

IC4403

IC

**R**

**SIDE B**

A

B

C

D

E

F

CN4500

CN4600

CN4700

CN4100

CN4200

CN4004

CN4003

CN4002

CN4001

CN4000

(ANP7873-B)

IC4502

IC4603

IC4703

IC4102

IC4203

IC4009

SC-72

**R**

**SIDE B**

A

**R D-AMP\_S ASSY (SYXJ8 MODEL, JXJ MODEL)**

B

C

D

E

F

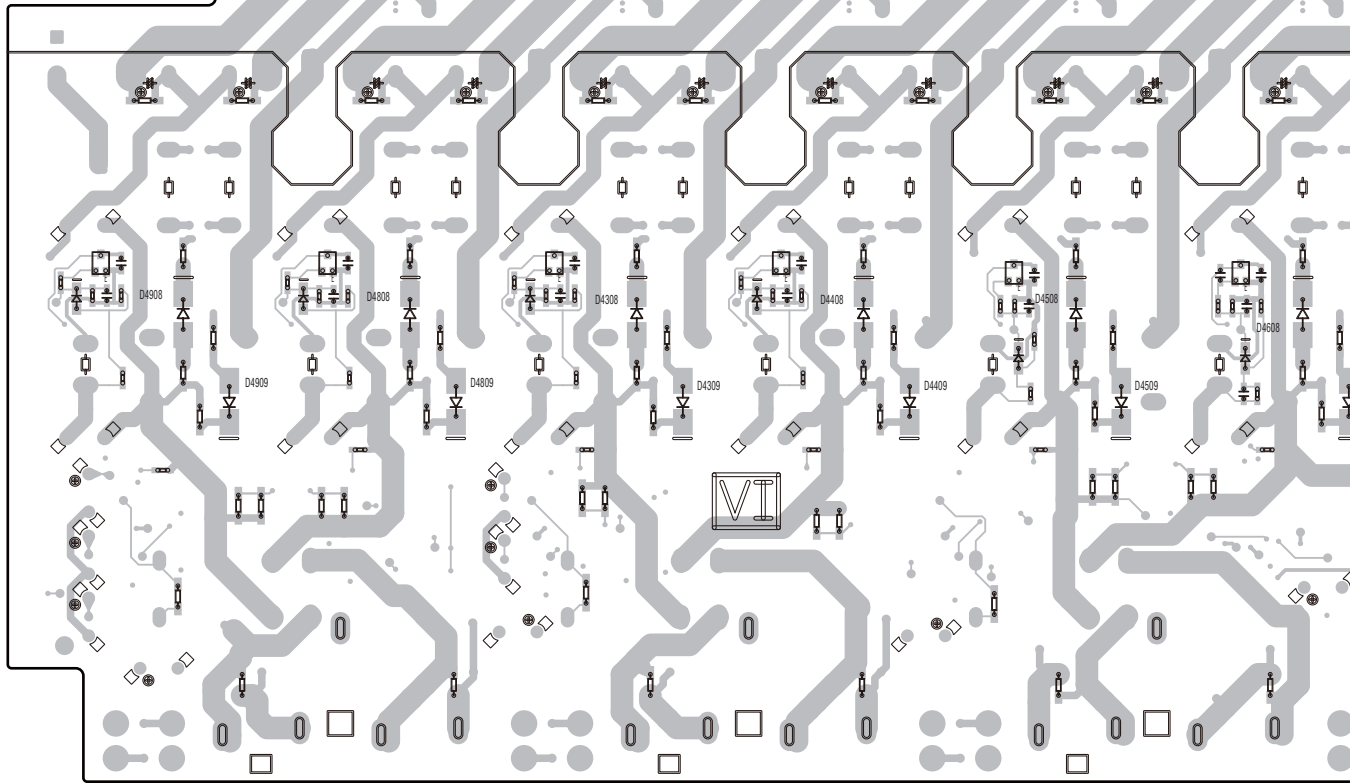
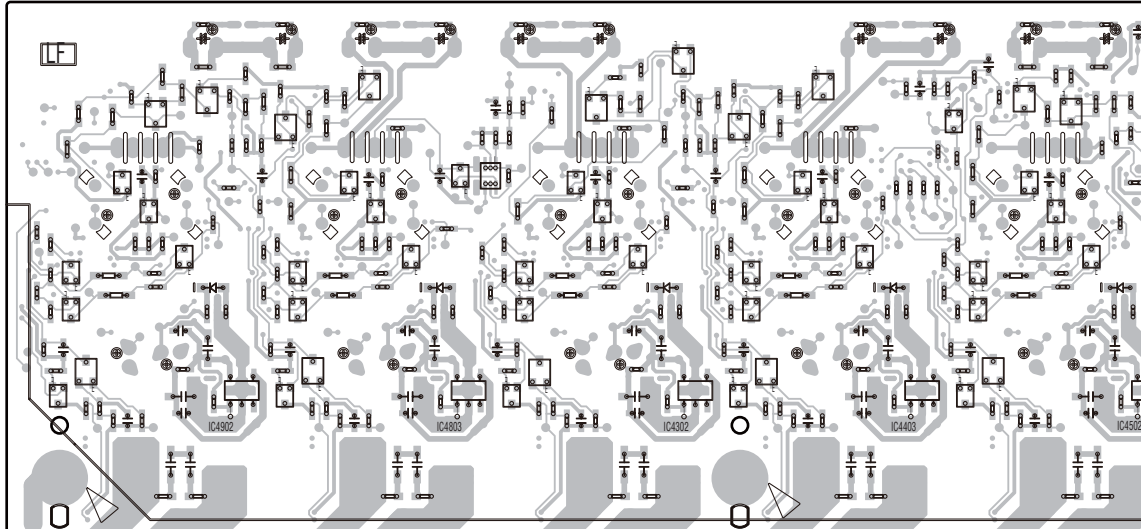
CN4900

CN4800

CN4300

CN4400

CN4500



Q

IC

IC4902

IC4803

IC4302

IC4403

IC

**R**

142

SC-72

SIDE B

A

B

C

D

E

F

CN4500

CN4600

CN4700

CN4100

CN4200

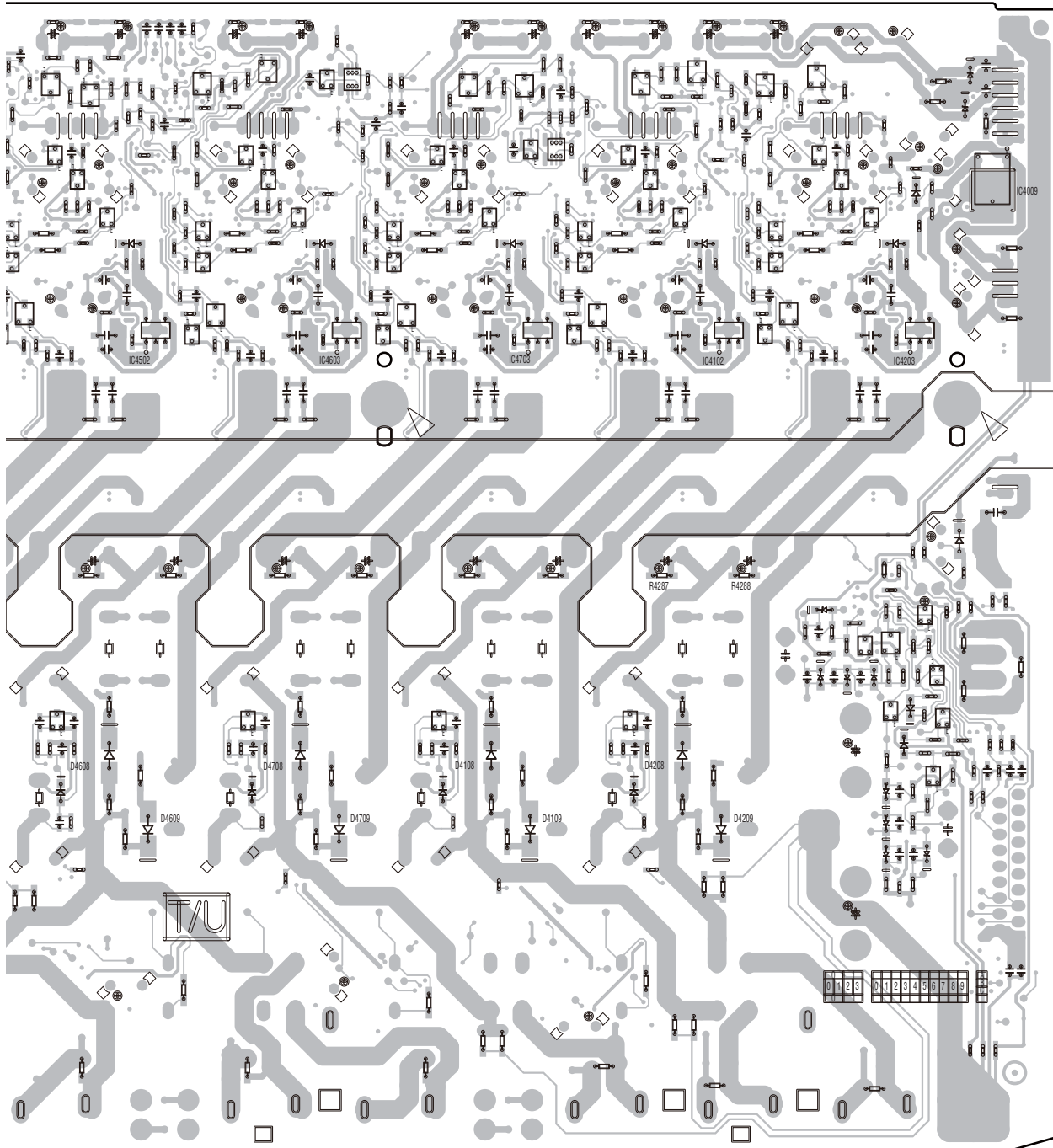
CN4004

CN4003

CN4002

CN4001

CN4000



(ANP7893-A)

IC4502

IC4603

IC4703

IC4102

IC4203

IC4009

SC-72

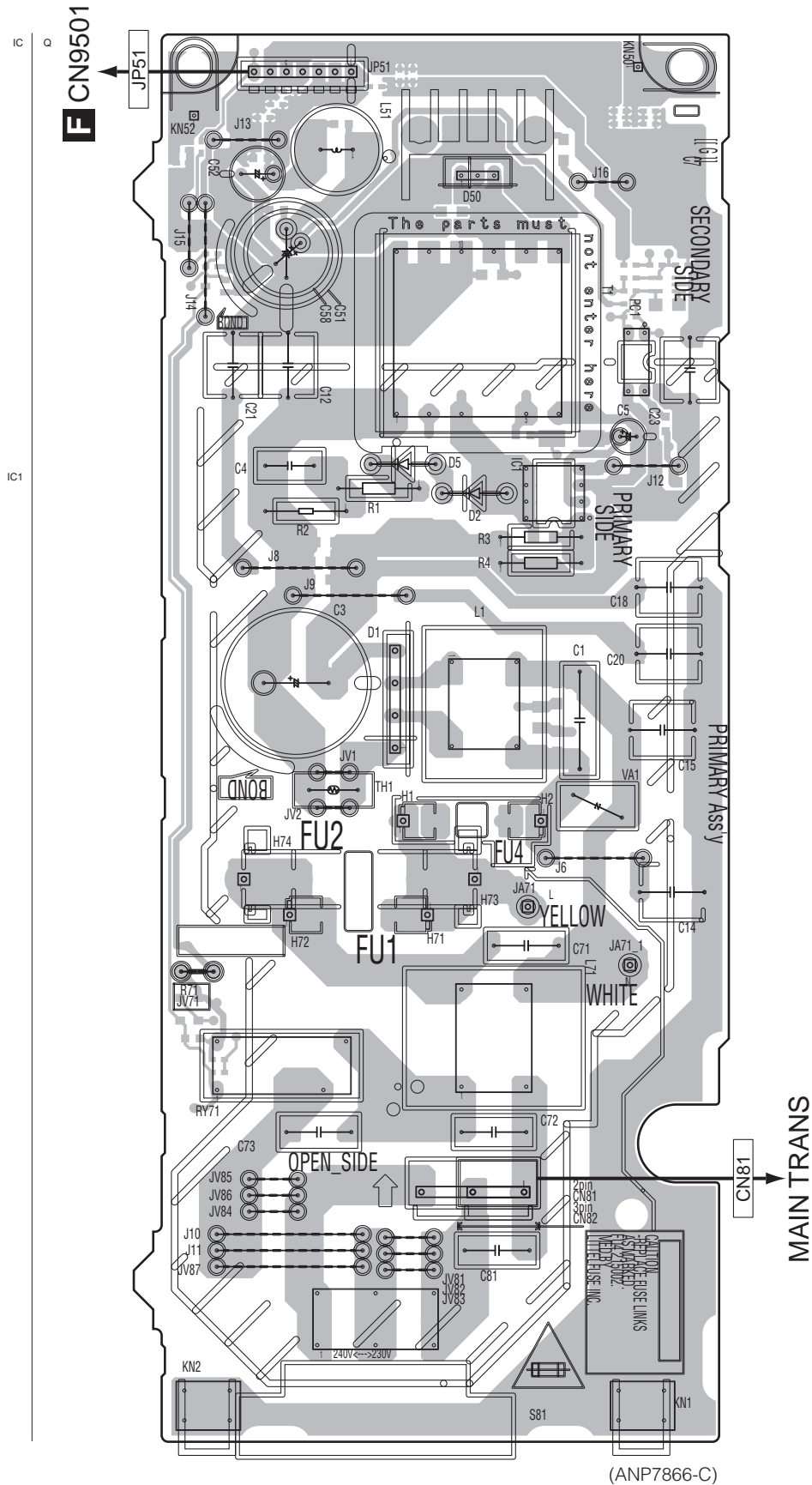


11.12 PRIMARY ASSY

SIDE A

SIDE A

S PRIMARY ASSY



S

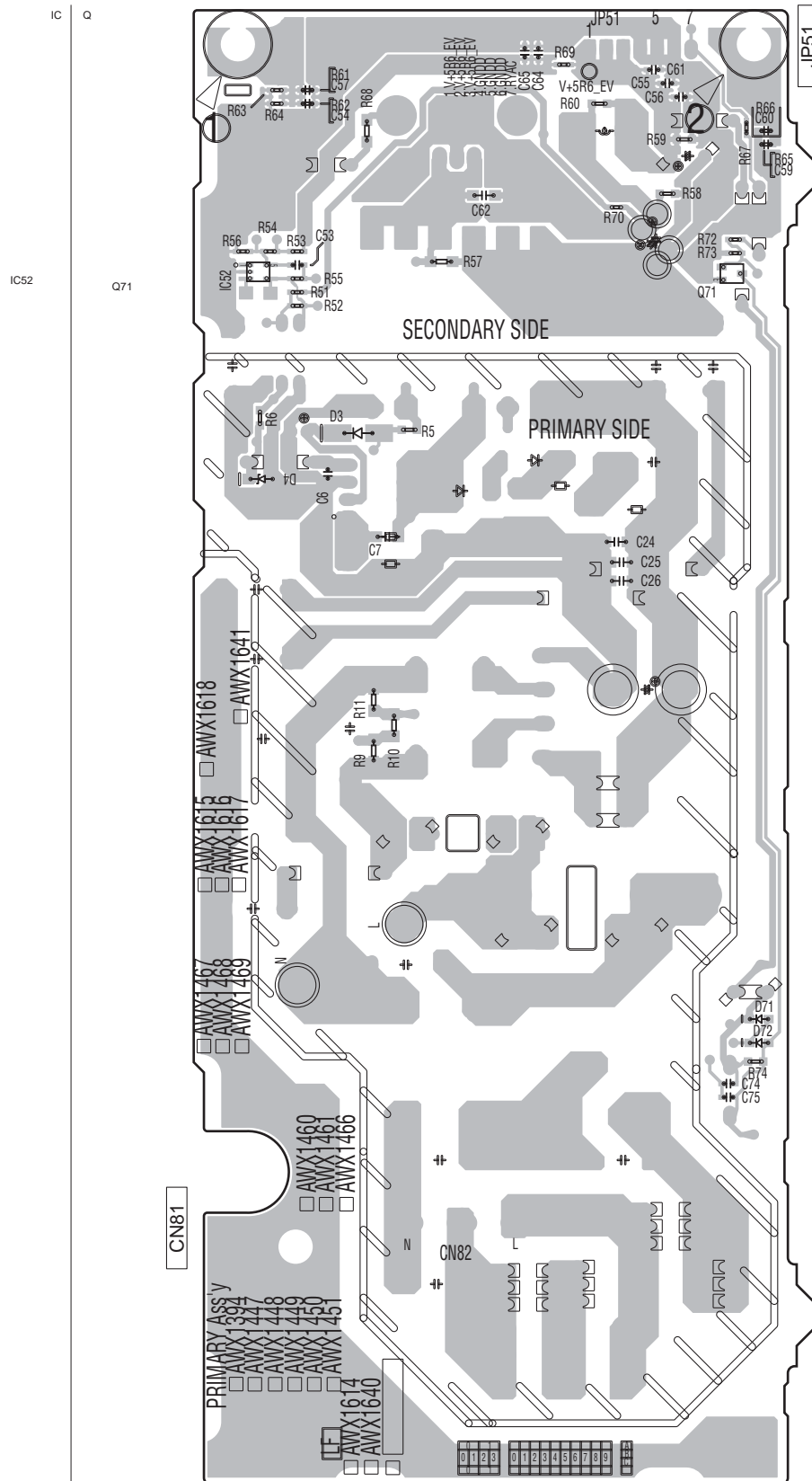
S



SIDE B

SIDE B

# S PRIMARY ASSY



(ANP7866-C)

S

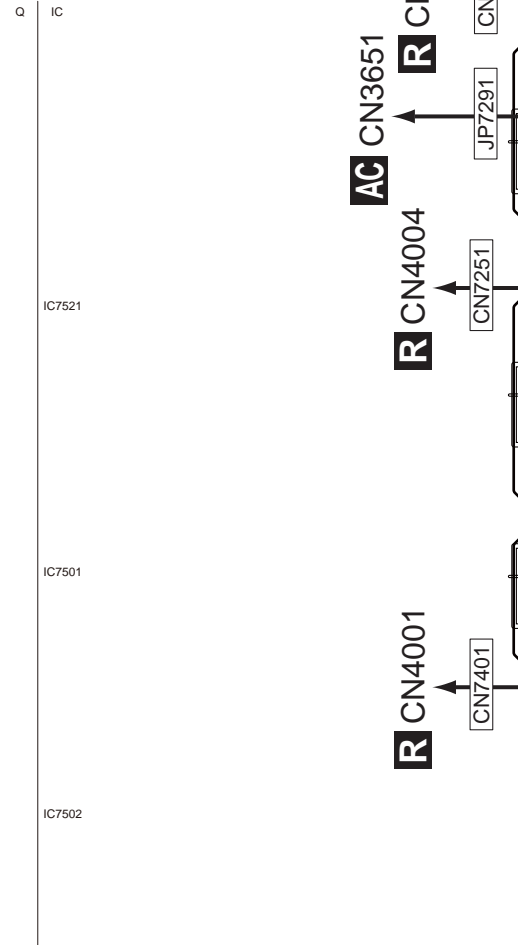
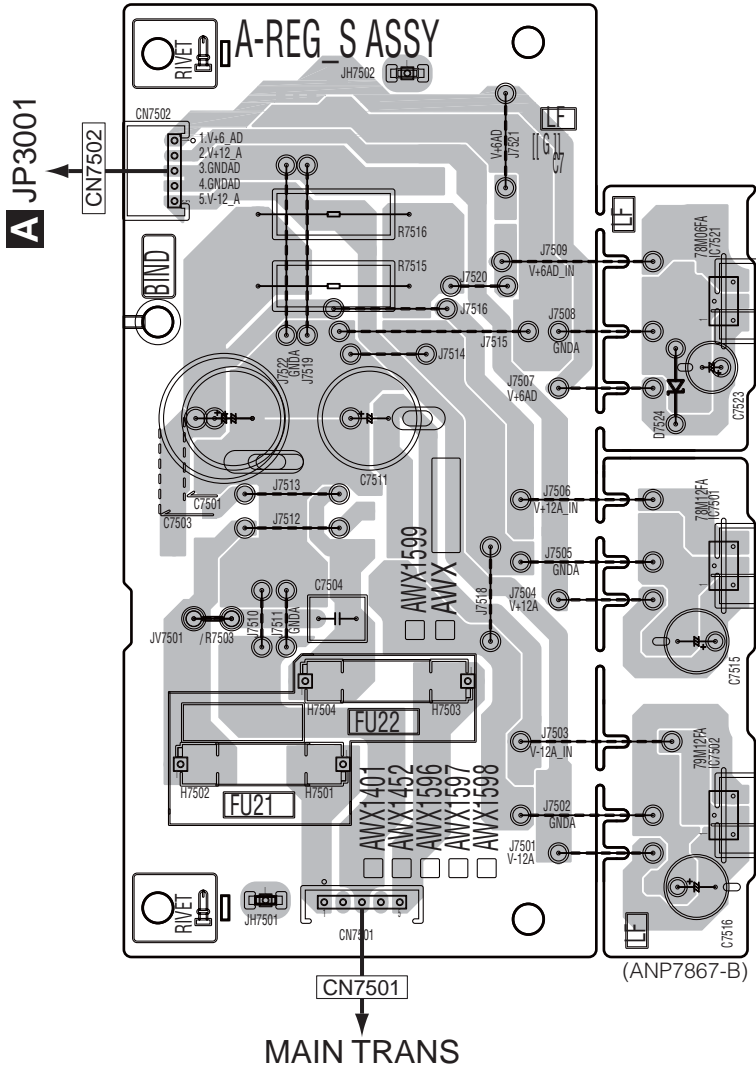
S

SC-72

# 11.13 A-REG\_S ASSY and IR REG\_S ASSY

**SIDE A**

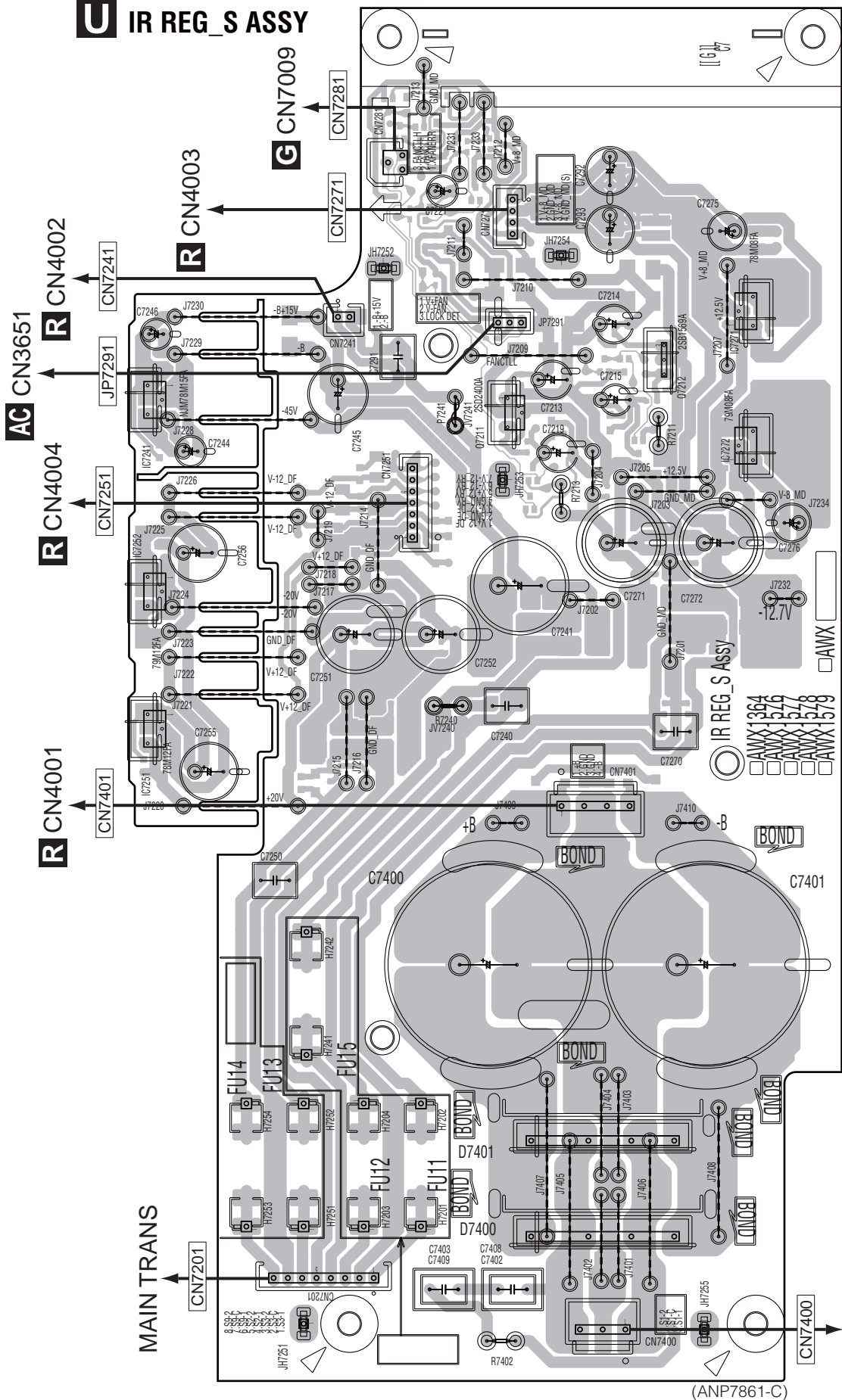
## T A-REG\_S ASSY



**T**

SIDE A

IR REG\_S ASSY



Q IC

A

B

C

D

E

F

C7271

C7212

C7211

C7241

C7272

C7252

C7251



SIDE B

A

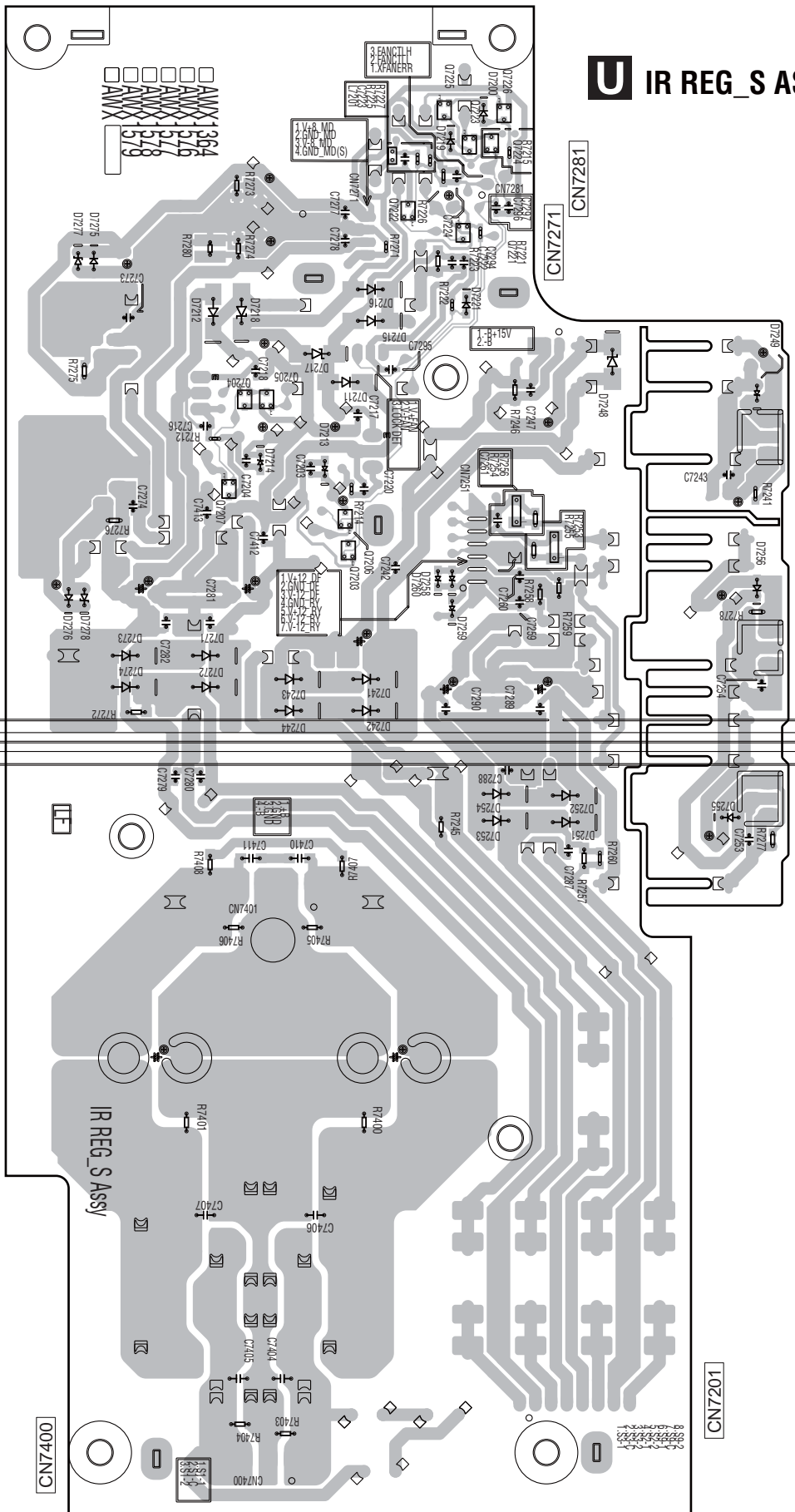
B

C

D

E

F



IR REG\_S ASSY

Q7225 Q7226

Q7223 Q7224

Q7222

Q7221

Q7204 Q7205

Q7207

Q7206

Q7203

JP7291

CN7271

CN7281

CN7241

CN7251

CN7401

CN7400

CN7201

(ANP7861-C)



SC-72

**SIDE B**

A

B

C

D

E

F

Q IC

Q7226  
Q7224

Q7221

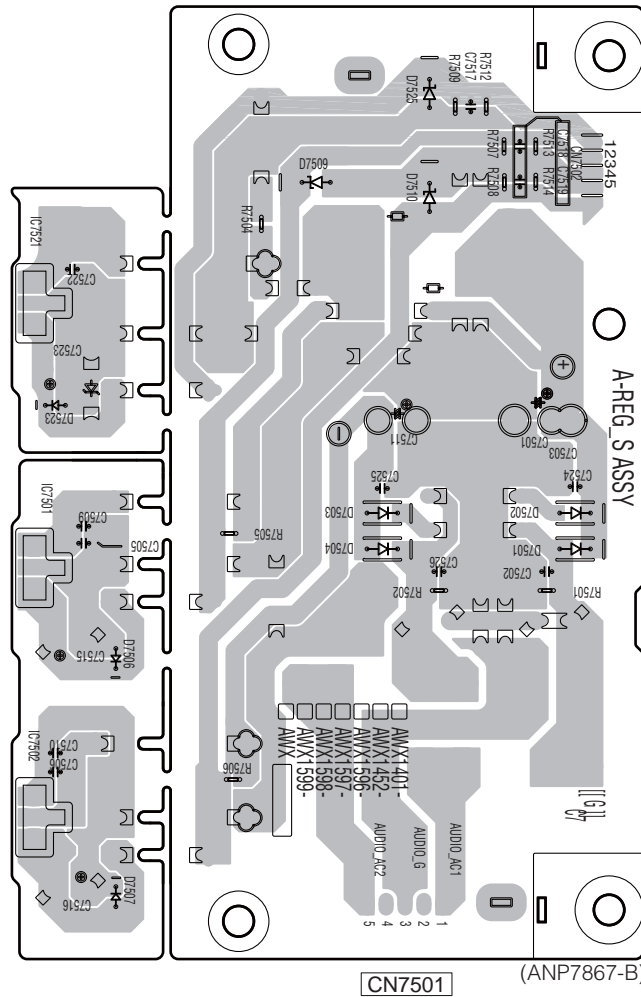
Q7205

17

206

7203

# T A-REG\_S ASSY



Q IC

IC7521

IC7501

IC7502

CN7501

(ANP7867-B)

CN7502

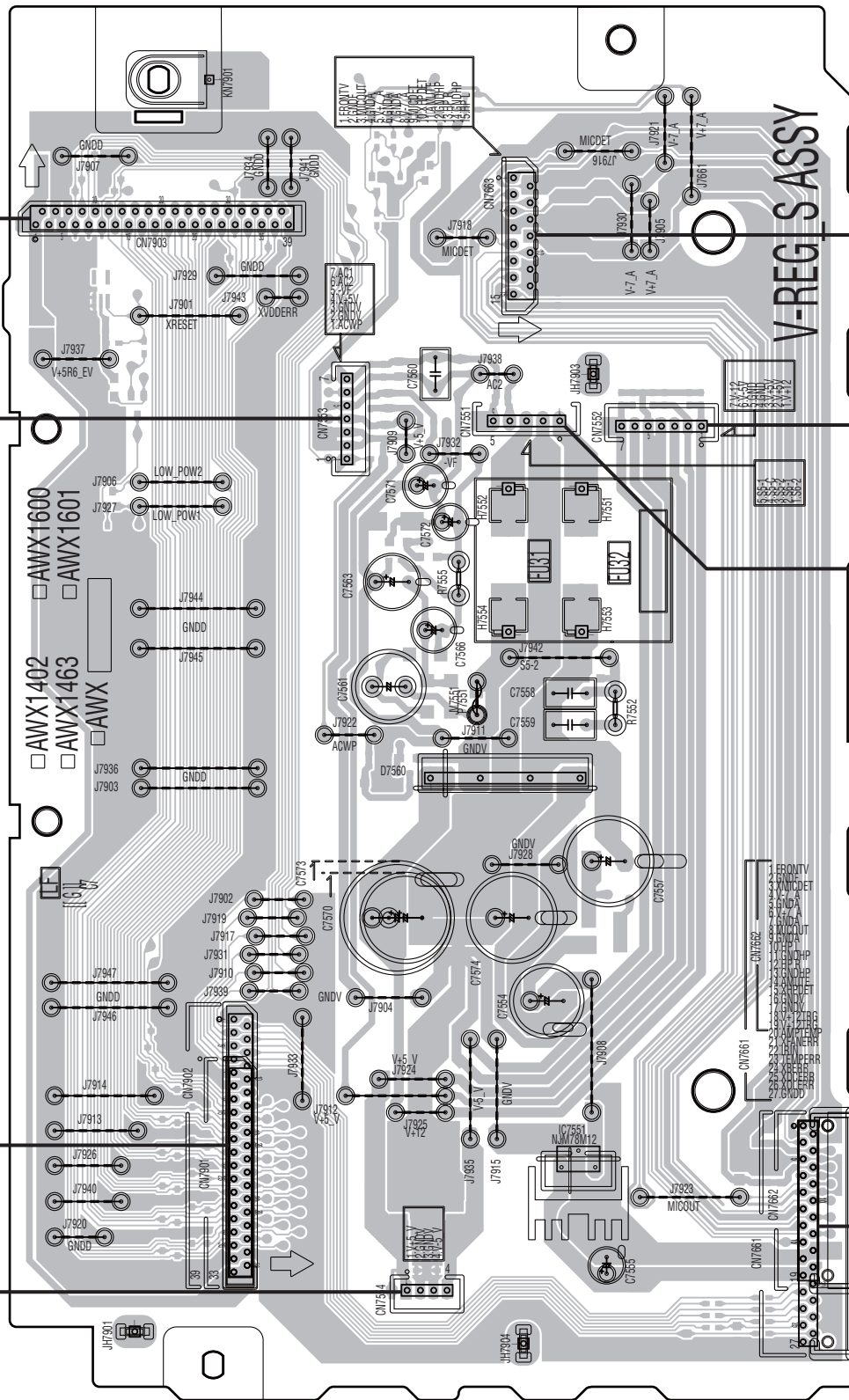
**T**

# 11.14 V-REG\_S ASSY

SIDE A

SIDE A

## V V-REG\_S ASSY



(ANP7867-B)

Q

IC

IC7551

SC-72

V

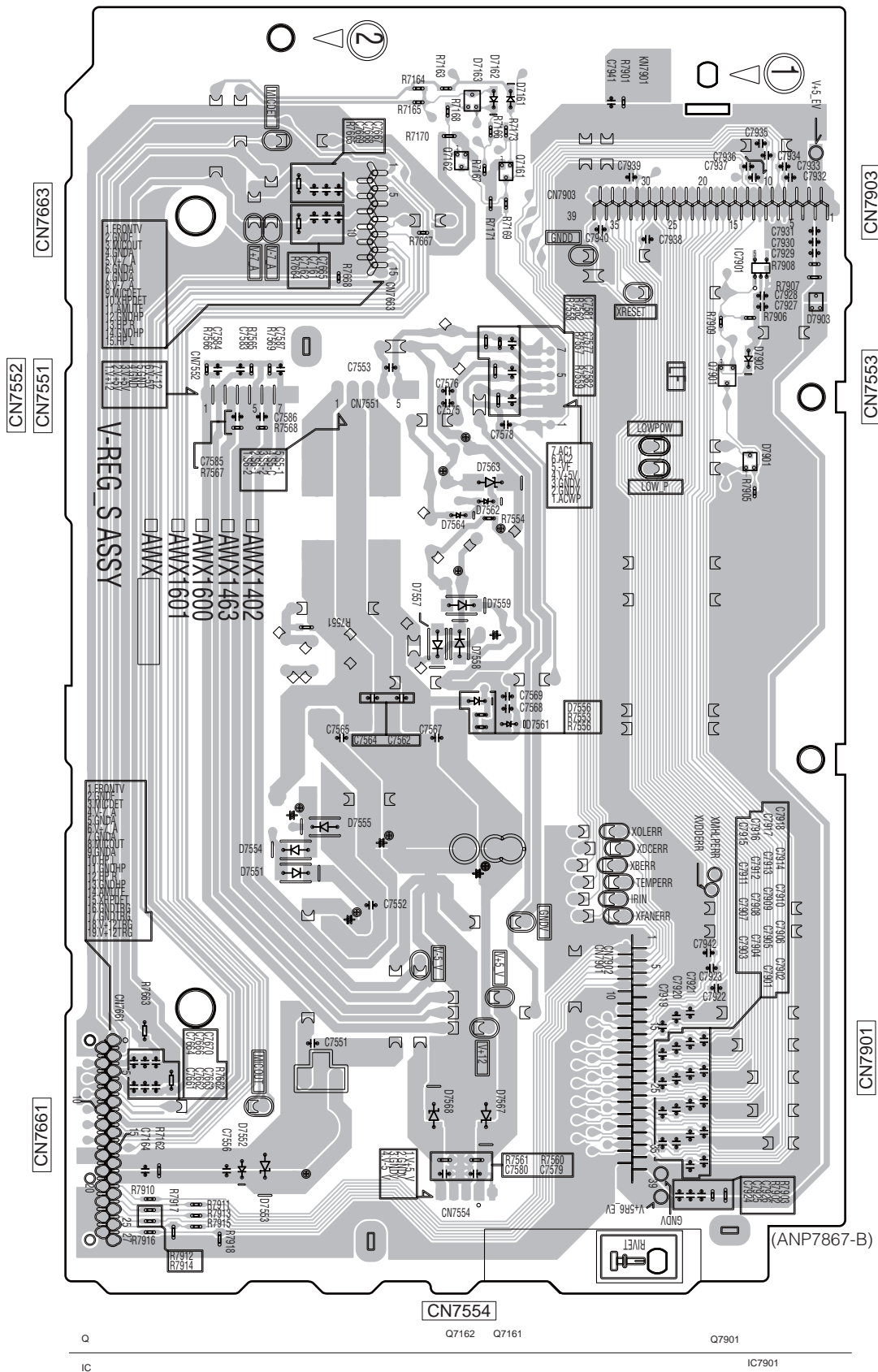
150

V

SIDE B

SIDE B

V-REG\_S ASSY



CN7663

CN7552  
CN7551

CN7903

CN7553

CN7661

CN7554

CN7900

Q

Q7162 Q7161

Q7901

IC

IC7901

V

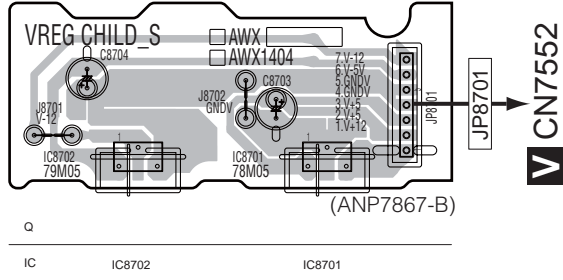
V

11.15 VREG CHILD\_S, CONNECT\_S and A-FILTER BRIDGE\_S ASSYS

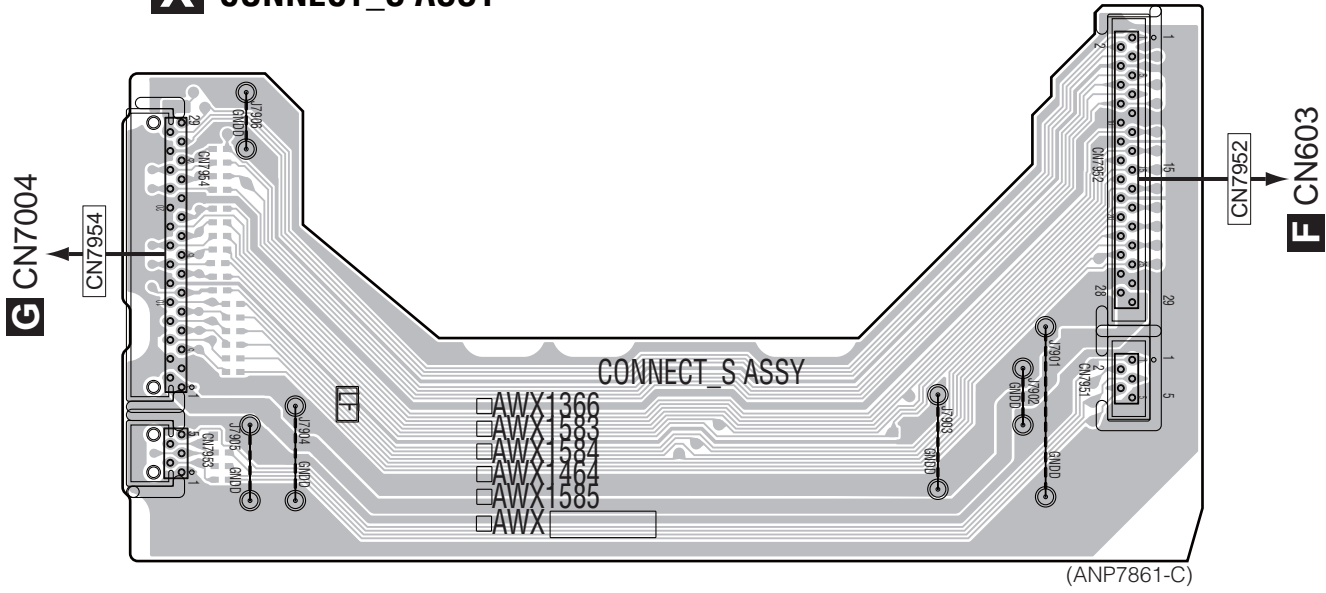
SIDE A

SIDE A

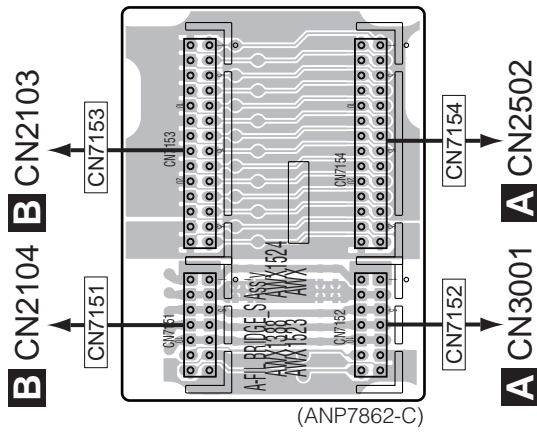
W VREG CHILD\_S ASSY



X CONNECT\_S ASSY



Y A-FILTER BRIDGE\_S ASSY



W X Y

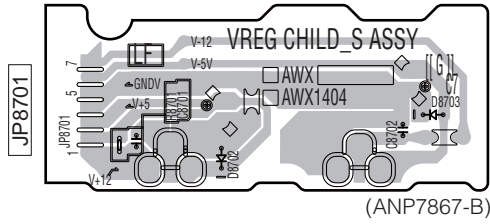
W X Y



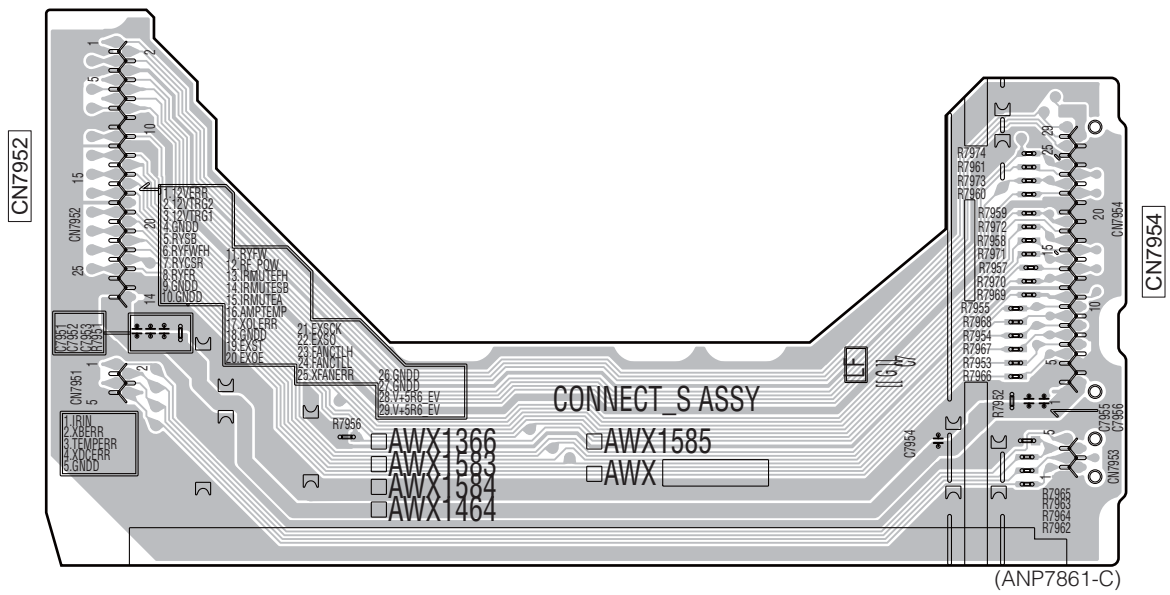
SIDE B

SIDE B

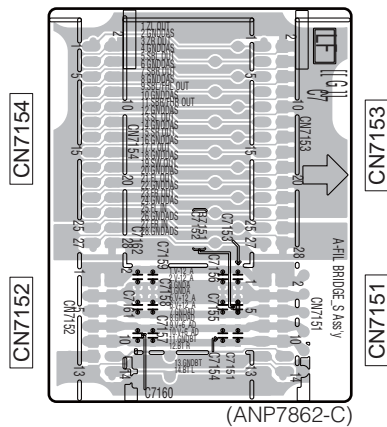
# W VREG CHILD\_S ASSY



# X CONNECT\_S ASSY



# Y A-FILTER BRIDGE\_S ASSY



W X Y

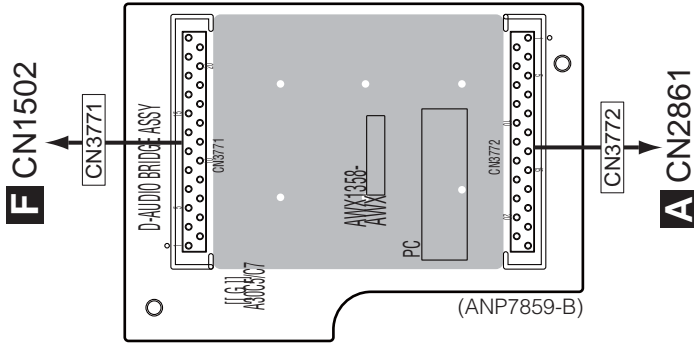
W X Y

11.16 D-AUDIO BRIDGE, D-FILTER BRIDGE\_S, PRE BRIDGE\_S and FAN CONNECT ASSYS

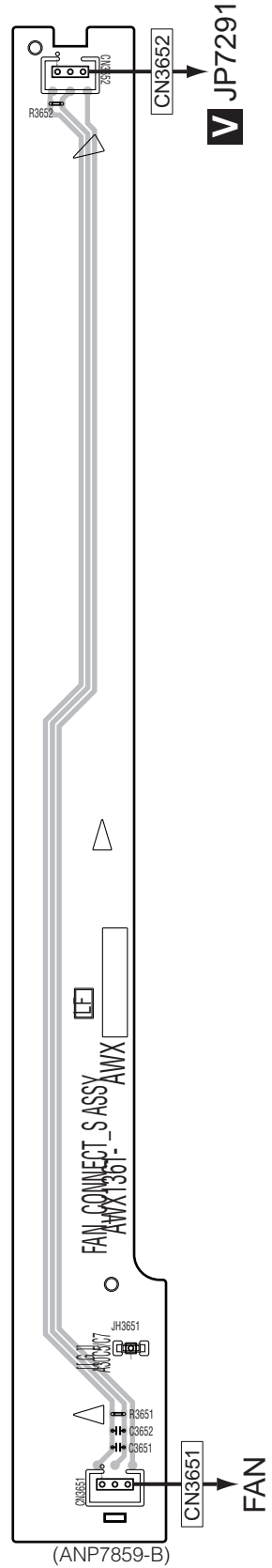
**SIDE A**

**SIDE A**

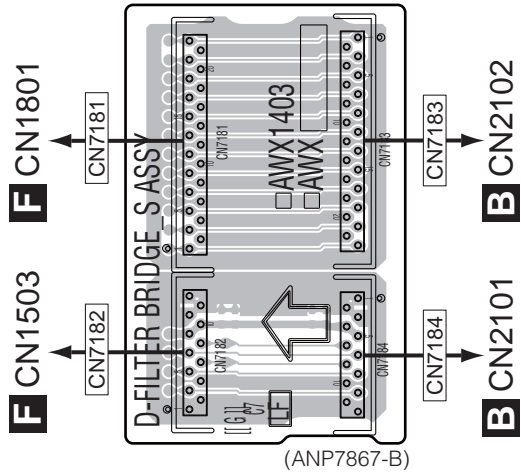
**Z D-AUDIO BRIDGE ASSY**



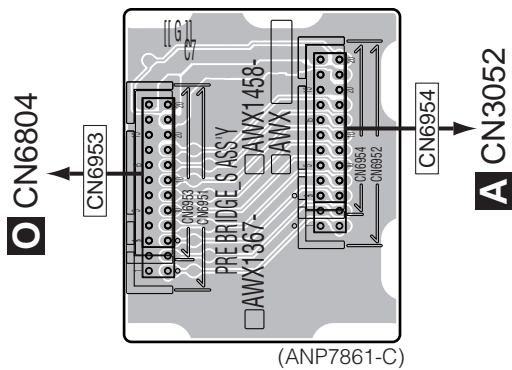
**AC FAN CONNECT ASSY**



**AA D-FILTER BRIDGE\_S ASSY**



**AB PRE BRIDGE\_S ASSY**



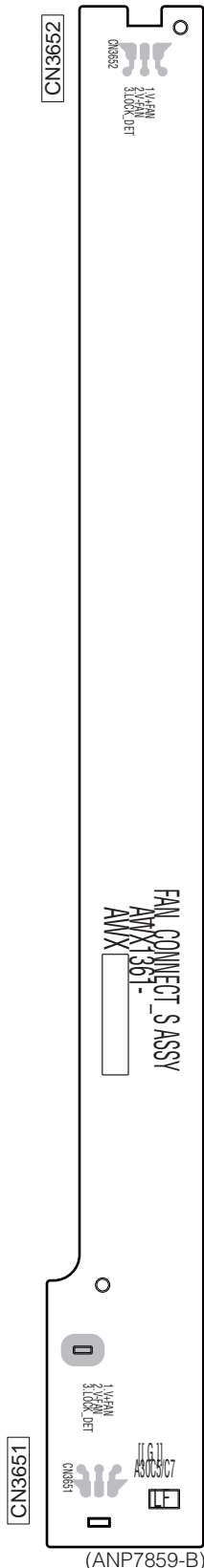
**Z AA AB AC**

**Z AA AB AC**

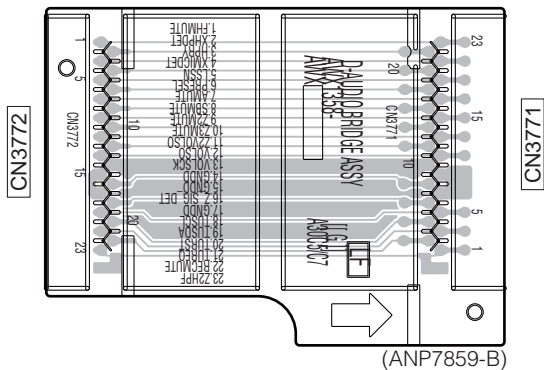
SIDE B

SIDE B

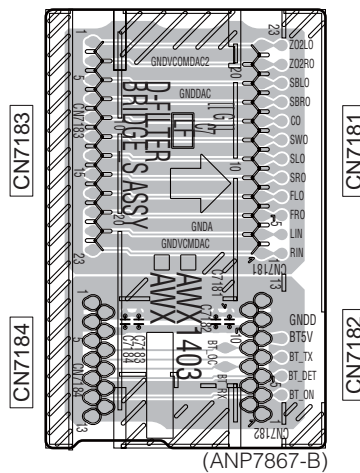
# AC FAN CONNECT ASSY



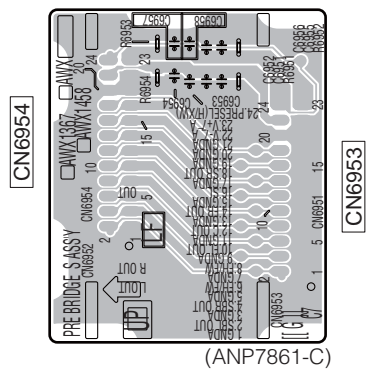
# Z D-AUDIO BRIDGE ASSY



# AA D-FILTER BRIDGE\_S ASSY



# AB PRE BRIDGE\_S ASSY



Z AA AB AC

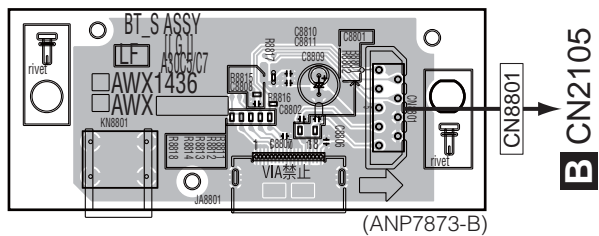
Z AA AB AC

11.17 BT\_S ASSY and MIC HP GUARD ASSY

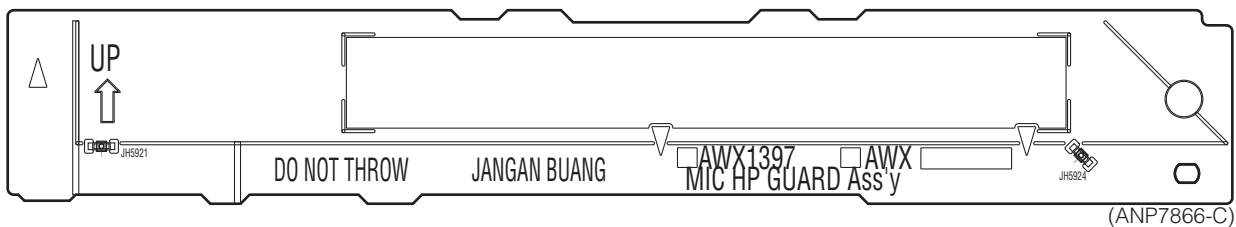
**SIDE A**

**SIDE A**

**AD** BT\_S ASSY



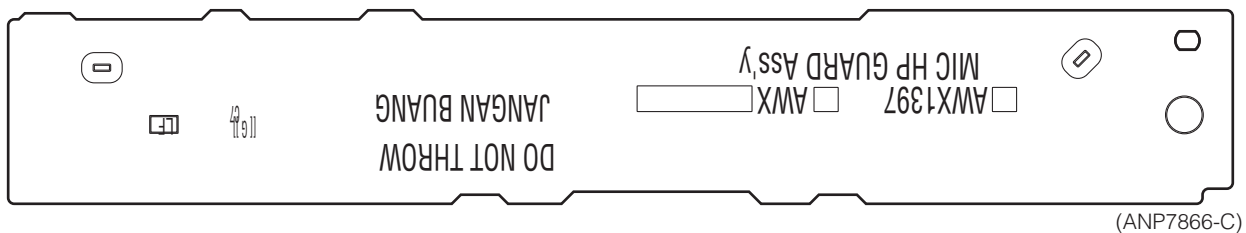
**AE** MIC HP GUARD ASSY



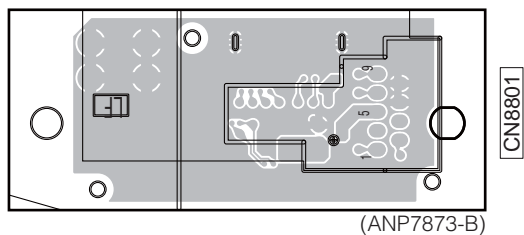
**SIDE B**

**SIDE B**

**AE** MIC HP GUARD ASSY



**AD** BT\_S ASSY



**AD AE**

**AD AE**

■

5

■

6

■

7

■

8

■

A

■

B

■

C

■

D

■

E

■

F

■

5

■

6

SC-72

■

7

■

8

■

1 2 3 4

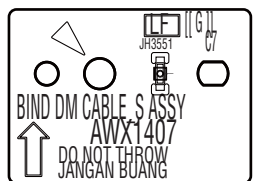
# 11.18 BIND DM CABLE\_S, P WIRE GUARD\_S, FFC GUARD\_S, BAINDFAN CABLE\_S and TRANS VREG STYL\_S ASSYS

**SIDE A**

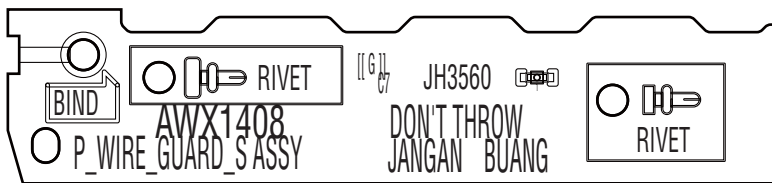
**SIDE A**

**AF** BIND DM CABLE\_S ASSY

**AG** P WIRE GUARD\_S ASSY



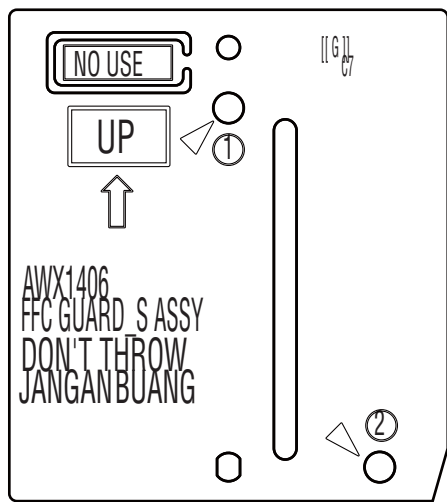
(ANP7867-B)



(ANP7867-B)

**AH** FFC GUARD\_S ASSY

**AI** BAINDFAN CABLE\_S ASSY

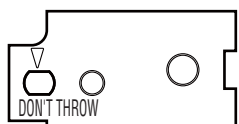


(ANP7867-B)



(ANP7867-B)

**AJ** TRANS VREG STYL\_S ASSY



(ANP7861-C)

**AF AG AH AI AJ**

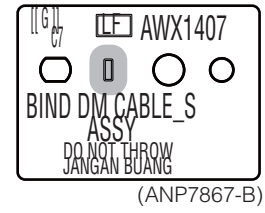
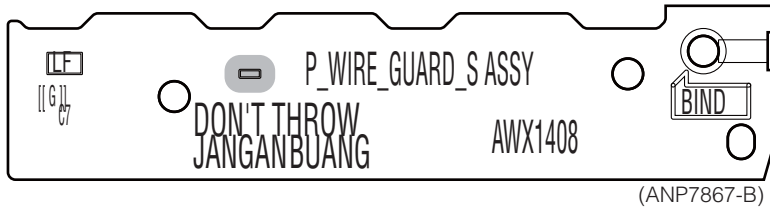
**AF AG AH AI AJ**

**SIDE B**

**SIDE B**

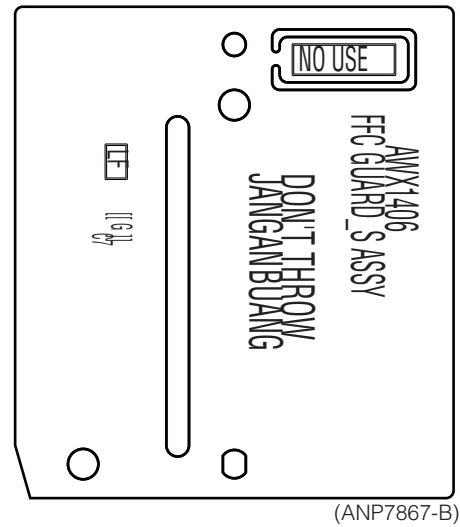
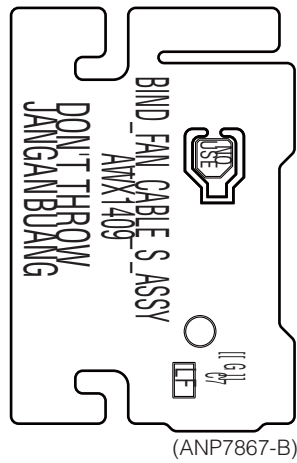
**AG** P WIRE GUARD\_S ASSY

**AF** BIND DM CABLE\_S ASSY

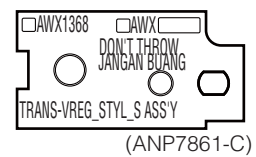


**AI** BINDFAN CABLE\_S ASSY

**AH** FFC GUARD\_S ASSY



**AJ** TRANS VREG\_STYL\_S ASSY



**AF AG AH AI AJ**

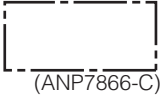
**AF AG AH AI AJ**

# 11.19 VREG GUARD ASSY, PANEL GUARD ASSY and IR EDGE GUARD\_S ASSY

**SIDE A**

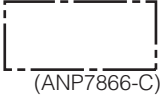
**SIDE A**

A



(ANP7866-C)

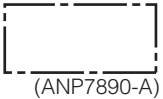
**AK** VREG GUARD ASSY



(ANP7866-C)

**AL** PANEL GUARD ASSY

B



(ANP7890-A)

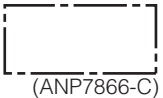
**AM** IR EDGE GUARD\_S ASSY

C

**SIDE B**

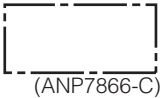
**SIDE B**

D



(ANP7866-C)

**AK** VREG GUARD ASSY



(ANP7866-C)

**AL** PANEL GUARD ASSY



(ANP7890-A)

**AM** IR EDGE GUARD\_S ASSY

E

F

**AK AL AM**

**AK AL AM**



# 12. PCB PARTS LIST

NOTES: ● Parts marked by "NSP" are generally unavailable because they are not in our Master Spare Parts List.

● The  $\Delta$  mark found on some component parts indicates the importance of the safety factor of the part. Therefore, when replacing, be sure to use parts of identical designation.

● When ordering resistors, first convert resistance values into code form as shown in the following examples.

Ex.1 When there are 2 effective digits (any digit apart from 0), such as 560 ohm and 47 k ohm (tolerance is shown by J = 5%, and K = 10%).

560  $\Omega$  → 56 × 10<sup>1</sup> → 561 ..... RD1/APU  $\boxed{5}$   $\boxed{6}$   $\boxed{7}$  J

47 k $\Omega$  → 47 × 10<sup>3</sup> → 473 ..... RD1/APU  $\boxed{4}$   $\boxed{7}$   $\boxed{3}$  J

0.5  $\Omega$  → R50 ..... RN2H  $\boxed{R}$   $\boxed{5}$   $\boxed{0}$  K

1  $\Omega$  → 1R0 ..... RSIP  $\boxed{7}$   $\boxed{R}$   $\boxed{0}$  K

Ex.2 When there are 3 effective digits (such as in high precision metal film resistors).

5.62 k $\Omega$  → 562 × 10<sup>1</sup> → 5621 ..... RN1/4PC  $\boxed{5}$   $\boxed{6}$   $\boxed{2}$   $\boxed{1}$  F

Mark No.	Description	Part No.	Mark No.	Description	Part No.
----------	-------------	----------	----------	-------------	----------

## LIST OF ASSEMBLIES

----- SC-72, SC-1328-K, SC-1323-K -----

NSP	1..D-AMP_S ASSY 2..D-AMP_S ASSY 2..BT_S ASSY	AWH7075 AWX1433 AWX1436	NSP	1..INTERFACE REG_S ASSY (SC-1328-K/SC1323-K) 2..TRANS VREG STYL_S ASSY 2..PRE BRIDGE_S ASSY 2..INTERFACE_S ASSY 2..IR REG_S ASSY 2..FILTER_S ASSY 2..CONNECT_S ASSY	AWR7223 AWX1368 AWX1458 AWX1608 AWX1578 AWX1581 AWX1585
NSP	1..PRIM DISPLAY ASSY (SC-72) 2..VOL ASSY 2..ENCODER ASSY 2..MIC HP GUARD ASSY	AWM8328 AWX1392 AWX1396 AWX1397	NSP	1..PRE POWER_S ASSY 2..D-FILTER BRIDGE_S ASSY 2..VREG CHILD_S ASSY 2..USB RECT_S ASSY 2..FFC GUARD_S ASSY 2..BIND DM CABLE_S ASSY 2..P WIRE GUARD_S ASSY 2..BINDFAN CABLE_S ASSY 2..V-REG_S ASSY 2..A-REG_S ASSY	AWR7219 AWX1403 AWX1404 AWX1405 AWX1406 AWX1407 AWX1408 AWX1409 AWX1463 AWX1598
NSP	2..VREG GUARD ASSY	AWX1398	NSP	1..DIGITAL MAIN_L ASSY	AWX1354
NSP	2..PANEL GUARD ASSY 2..DISPLAY ASSY 2..MIC HP ASSY 2..PRIMARY ASSY 2..POWER SW ASSY	AWX1399 AWX1454 AWX1457 AWX1460 AWX1653	NSP	1..COMPONENT ASSY 1..IR INTERFACE_S ASSY 2..IR EDGE GUARD_S ASSY	AWX1623 AWX1638 AWX1230
NSP	1..OPT COAXIAL_S ASSY 2..OPT COAX_S ASSY 2..A-FILER BRIDGE_S ASSY	AWM8343 AWX1521 AWX1523	NSP	1..FRONT HDMI USB ASSY	AWX1548
NSP	1..IR BUFFER_S ASSY 2..BUFFER GND_S ASSY 2..IR BUFFER_S ASSY	AWM8351 AWX1544 AWX1545			
NSP	1..AUDIO COMPOSITE ASSY 2..COMPOSITE ASSY 2..D-AUDIO BRIDGE ASSY 2..FAN CONNECT ASSY 2..AUDIO ASSY	AWR7194 AWX1357 AWX1358 AWX1361 AWX1527			
NSP	1..INTERFACE REG_S ASSY (SC-72) 2..TRANS VREG STYL_S ASSY 2..PRE BRIDGE_S ASSY 2..INTERFACE_S ASSY 2..IR REG_S ASSY 2..FILTER_S ASSY 2..CONNECT_S ASSY	AWR7208 AWX1368 AWX1458 AWX1574 AWX1578 AWX1581 AWX1585			

**Mark No. Description** **Part No.** **Mark No. Description** **Part No.**

**LIST OF ASSEMBLIES**

A ----- SC-2023 -----

NSP	1..D-AMP_S ASSY 2..D-AMP_S ASSY 2..BT_S ASSY	AWH7077 AWX1435 AWX1436	NSP	1..INTERFACE REG_S ASSY 2..PRE BRIDGE_S ASSY 2..TRANS VREG STYL_S ASSY 2..INTERFACE_S ASSY 2..IR REG_S ASSY 2..FILTER_S ASSY 2..CONNECT_S ASSY	AWR7231 AWX1458 AWX1368 AWX1677 AWX1579 AWX1678 AWX1464
NSP	1..PRIM DISPLAY ASSY 2..VOL ASSY 2..ENCODER ASSY 2..MIC HP GUARD ASSY 2..MIC HP ASSY 2..DISPLAY ASSY 2..PRIMARY ASSY	AWM8330 AWX1392 AWX1396 AWX1397 AWX1457 AWX1680 AWX1467	NSP	1..PRE POWER_S ASSY 2..D-FILTER BRIDGE_S ASSY 2..VREG CHILD_S ASSY 2..USB RECT_S ASSY 2..FFC GUARD_S ASSY 2..BIND DM CABLE_S ASSY 2..P WIRE GUARD_S ASSY 2..BINDFAN CABLE_S ASSY 2..A-REG_S ASSY 2..V-REG_S ASSY	AWR7220 AWX1403 AWX1404 AWX1405 AWX1406 AWX1407 AWX1408 AWX1409 AWX1599 AWX1681
B	NSP	2..POWER SW ASSY			
NSP	2..VREG GUARD ASSY	AWX1398			
NSP	2..PANEL GUARD ASSY	AWX1399			
NSP	1..OPT COAXIAL_S ASSY 2..OPT COAX_S ASSY 2..A-FILTER BRIDGE_S ASSY	AWM8344 AWX1522 AWX1524			
NSP	1..IR BUFFER_S ASSY 2..IR BUFFER_S ASSY 2..BUFFER GND_S ASSY	AWM8354 AWX1679 AWX1544	1..DIGITAL MAIN_L ASSY  1..COMPONENT ASSY	AWX1661  AWX1625	
NSP	1..AUDIO COMPOSITE ASSY 2..COMPOSITE ASSY 2..D-AUDIO BRIDGE ASSY 2..FAN CONNECT ASSY 2..AUDIO ASSY	AWR7195 AWX1357 AWX1358 AWX1361 AWX1528	NSP	1..IR INTERFACE_S ASSY 2..IR EDGE GUARD_S ASSY  1..FRONT HDMI USB ASSY	AWX1638 AWX1230  AWX1676
C					

**B FILTER\_S ASSY**

AWX1581 and AWX1678 are constructed the same except for the following:

Mark	Symbol and Description	AWX1581	AWX1678
D	IC2001	NJM4565M	UPC4570G2-A
	IC2031	NJM4565M	UPC4570G2-A
	IC2061	NJM4565M	UPC4570G2-A
	IC2091	NJM4565M	UPC4570G2-A
	IC2121	NJM4565M	UPC4570G2-A
E	R2017	RS1/10SR0R0J	RS1/10SR100J
	R2018	RS1/10SR0R0J	RS1/10SR100J
	R2021	RS1/8SQ0R0J	RS1/8SQ121J
	R2022	RS1/8SQ0R0J	RS1/8SQ121J
	R2051	RS1/8SQ0R0J	RS1/8SQ121J
E	R2052	RS1/8SQ0R0J	RS1/8SQ121J
	R2081	RS1/8SQ0R0J	RS1/8SQ121J
	R2082	RS1/8SQ0R0J	RS1/8SQ121J
	R2111	RS1/8SQ0R0J	RS1/8SQ121J
	R2112	RS1/8SQ0R0J	RS1/8SQ121J
E	R2141	RS1/8SQ0R0J	RS1/8SQ121J
	R2142	RS1/8SQ0R0J	RS1/8SQ121J
	R2333	RS1/10SR101J	RS1/10SR121J
	R2334	RS1/10SR101J	RS1/10SR121J
	R2335	RS1/10SR101J	RS1/10SR121J
F	R2336	RS1/10SR101J	RS1/10SR121J
	R2337	RS1/10SR101J	RS1/10SR121J
	R2338	RS1/10SR101J	RS1/10SR121J
	R2339	RS1/10SR101J	RS1/10SR121J
	R2340	RS1/10SR101J	RS1/10SR121J

## C FRONT HDMI USB ASSY

AWX1548 and AWX1676 are constructed the same except for the following:

Mark	Symbol and Description	AWX1548	AWX1676
	C8002	CKSRYB104K50	CKSRYB103K50
	C8023	CKSQYB225K16	VCG1072
	C8041	CCSRCH100D50	CCSRCH221J50

## G INTERFACE\_S ASSY

AWX1574 and AWX1608 are constructed the same except for the following:

Mark	Symbol and Description	AWX1574	AWX1608
	Q7015	DTC124EUA	Not used
	Q7016	DTA124EUA	Not used
	D7007	RB501VM-40	Not used
	L7007	QTL1013	Not used
	JA7004 Jack	VKB1243	Not used
	R7029	RS1/10SR104J	Not used
	R7033	RS1/10SR0R0J	Not used
	C7026	CKSRYB153K50	Not used

## G INTERFACE\_S ASSY

AWX1574 and AWX1677 are constructed the same except for the following:

Mark	Symbol and Description	AWX1574	AWX1677
	Q7015	DTC124EUA	Not used
	Q7016	DTA124EUA	Not used
	D7007	RB501VM-40	Not used
	L7007	QTL1013	Not used
	JA7004 Jack	VKB1243	Not used
	KN7002 Earth Terminal	Not used	AKF7002
	KN7004 Earth Terminal	Not used	AKF7002
	R7029	RS1/10SR104J	Not used
	R7033	RS1/10SR0R0J	Not used
	R7043	Not used	RS1/10SR0R0J
	R7098	Not used	RS1/10SR0R0J
	R7110	Not used	RS1/4SA105J
	R7111	Not used	RS1/4SA105J
	R7113	RS1/10SR0R0J	RS1/10SR100J
	R7136	Not used	RS1/10SR0R0J
	R7137	Not used	RS1/10SR0R0J
	R7155	Not used	RS1/10SR0R0J
	R7301	Not used	RS1/10SR0R0J
	R7302	Not used	RS1/10SR0R0J
	R7303	Not used	RS1/10SR0R0J
	C7006	CCSRCH102J50	Not used
	C7011	CKSRYB104K50	Not used
	C7012	CCSRCH102J50	Not used
	C7015	CKSRYB104K50	CKSRYB103K50
	C7026	CKSRYB153K50	Not used
	C7080	CCSRCH102J50	Not used
	C7081	CKSRYB104K50	Not used
	C7082	CCSRCH102J50	Not used
	C7083	CKSRYB104K50	Not used
	C7114	CKSRYB104K50	Not used

## **H** COMPONENT ASSY

AWX1623 and AWX1625 are constructed the same except for the following:

A

Mark	Symbol and Description	AWX1623	AWX1625
R8382		Not used	RS1/10SR105J
R8504		RS1/10SR101J	RS1/10SR471J
R8505		RS1/10SR101J	RS1/10SR471J
R8506		RS1/10SR331J	RS1/10SR471J
C8501		CCSRCH102J50	CCSRCH471J50
C8509		CCSRCH101J50	Not used
C8511		CCSRCH470J50	Not used
C8512		CCSRCH470J50	Not used

## **K** DISPLAY ASSY

AWX1454 and AWX1506 are constructed the same except for the following:

B

Mark	Symbol and Description	AWX1454	AWX1506
Q6006		DTC124EUA	Not used
Q6007		DTC124EUA	Not used
Q6008		DTC124EUA	Not used
Q6009		DTC124EUA	Not used
Q6010		DTC124EUA	Not used
D6006		SLR343BC4T(JKLM)	SLR-343VC(NPQ)
D6008		SLR343BC4T(JKLM)	SLR-343VC(NPQ)
D6010		SLR343BC4T(JKLM)	SLR-343VC(NPQ)
D6012		SLR343BC4T(JKLM)	SLR-343VC(NPQ)
D6014		SLR343BC4T(JKLM)	Not used
R6056		RS1/10SR102J	Not used
R6064		Not used	RS1/10SR0R0J
R6070		RS1/10SR101J	Not used
R6081		Not used	RS1/10SR0R0J
R6113		Not used	RS1/10SR0R0J
R6114		Not used	RS1/10SR0R0J
R6115		Not used	RS1/10SR0R0J
R6116		Not used	RS1/10SR0R0J
R6134		RS1/10SR151J	RS1/10SR681J
R6135		RS1/10SR151J	RS1/10SR681J
R6136		RS1/10SR151J	RS1/10SR681J
R6137		RS1/10SR151J	RS1/10SR681J
R6138		RS1/10SR151J	Not used
R6194		RS1/10SR101J	Not used
C6032		CCSRCH100D50	Not used
C6058		CCSRCH470J50	Not used
C6092		CCSRCH100D50	Not used

E

F

## **K** DISPLAY ASSY

AWX1454 and AWX1680 are constructed the same except for the following:

Mark	Symbol and Description	AWX1454	AWX1680
Q6006		DTC124EUA	Not used
Q6007		DTC124EUA	Not used
Q6008		DTC124EUA	Not used
Q6009		DTC124EUA	Not used
Q6010		DTC124EUA	Not used
D6005		DAN217U	Not used
D6006		SLR343BC4T(JKLM)	SLR-343VC(NPQ)
D6008		SLR343BC4T(JKLM)	SLR-343VC(NPQ)
D6010		SLR343BC4T(JKLM)	SLR-343VC(NPQ)
D6012		SLR343BC4T(JKLM)	SLR-343VC(NPQ)
D6014		SLR343BC4T(JKLM)	Not used
R6056		RS1/10SR102J	Not used
R6064		Not used	RS1/10SR0R0J
R6067		Not used	RS1/10SR0R0J
R6070		RS1/10SR101J	Not used
R6081		Not used	RS1/10SR0R0J
R6107		RS1/10SR101J	RS1/10SR121J
R6108		RS1/10SR101J	RS1/10SR121J
R6109		RS1/10SR101J	RS1/10SR121J
R6111		RS1/10SR101J	RS1/10SR121J
R6113		Not used	RS1/10SR0R0J
R6114		Not used	RS1/10SR0R0J
R6115		Not used	RS1/10SR0R0J
R6116		Not used	RS1/10SR0R0J
R6134		RS1/10SR151J	RS1/10SR681J
R6135		RS1/10SR151J	RS1/10SR681J
R6136		RS1/10SR151J	RS1/10SR681J
R6137		RS1/10SR151J	RS1/10SR681J
R6138		RS1/10SR151J	Not used
R6194		RS1/10SR101J	Not used
R6227		Not used	RS1/10SR0R0J
R6228		Not used	RS1/10SR0R0J
R6229		Not used	RS1/10SR0R0J
C6006		CKSRYB104K50	CKSRYB103K50
C6008		CKSRYB103K50	CKSRYB104K50
C6010		CKSRYB104K50	CKSRYB103K50
C6019		CKSRYB104K50	Not used
C6022		CKSRYB104K50	CCSRCH470J50
C6029		CCSRCH101J50	Not used
C6032		CCSRCH100D50	Not used
C6037		CKSRYB104K50	CKSRYB103K50
C6046		Not used	CKSRYB473K50
C6049		CKSRYB105K16	CKSRYB103K50
C6058		CCSRCH470J50	Not used
C6063		CCSRCH471J50	CCSRCH470J50
C6065		CKSRYB104K50	CKSRYB103K50
C6091		CKSRYB103K50	CCSRCH331J50
C6092		CCSRCH100D50	Not used

## **M** POWER SW ASSY

AWX1653 and AWX1654 are constructed the same except for the following:

Mark	Symbol and Description	AWX1653	AWX1654
Q3401		DTC143EUA	Not used
D3402		SLR343BC4T(JKLM)	Not used
R3401		RS1/10SR151J	Not used
C3401		CCSRCH221J50	Not used



# IR BUFFER\_S ASSY

AWX1545 and AWX1679 are constructed the same except for the following:

A

Mark	Symbol and Description	AWX1545	AWX1679
	R6806	RS1/10SR22R0F	RS1/10SR0R0J
	R6809	RS1/10SR101J	RS1/10SR111J
	R6815	RS1/8SQ224J	RS1/8SQ244J
	R6817	RS1/10SR120J	RS1/10SR100J
	R6826	RS1/10SR22R0F	RS1/10SR0R0J
	R6829	RS1/10SR101J	RS1/10SR111J
	R6837	RS1/10SR120J	RS1/10SR100J
	R6846	RS1/10SR22R0F	RS1/10SR0R0J
	R6849	RS1/10SR101J	RS1/10SR111J
	R6857	RS1/10SR120J	RS1/10SR100J
B	R6866	RS1/10SR22R0F	RS1/10SR0R0J
	R6869	RS1/10SR1000F	RS1/10SR111J
	R6877	RS1/10SR120J	RS1/10SR100J
	R6886	RS1/10SR22R0F	RS1/10SR0R0J
	R6889	RS1/10SR1000F	RS1/10SR111J
	R6897	RS1/10SR120J	RS1/10SR100J
	R7456	RS1/10SR22R0F	RS1/10SR0R0J
	R7459	RS1/10SR101J	RS1/10SR111J
	R7467	RS1/10SR120J	RS1/10SR100J
	R7476	RS1/10SR22R0F	RS1/10SR0R0J
C	R7479	RS1/10SR101J	RS1/10SR111J
	R7487	RS1/10SR120J	RS1/10SR100J
	R7493	RS1/10SR100J	RS1/10SR101J
	R8866	RS1/10SR100J	RS1/10SR220J
	R8867	RS1/10SR100J	RS1/10SR220J
	R8868	RS1/10SR100J	RS1/10SR220J
	C6807	CEAK220M50	CEAK100M50
	C6814	CEAK470M25	CEAK100M50
	C6827	CEAK220M50	CEAK100M50
	C6834	CEAK470M25	CEAK100M50
	C6847	CEAK220M50	CEAK100M50
	C6854	CEAK470M25	CEAK100M50
D	C6867	CEAK220M50	CEAK100M50
	C6874	CEAK470M25	CEAK100M50
	C6887	CEAK220M50	CEAK100M50
	C6894	CEAK470M25	CEAK100M50
	C7457	CEAK220M50	CEAK100M50
	C7464	CEAK470M25	CEAK100M50
	C7477	CEAK220M50	CEAK100M50
	C7484	CEAK470M25	CEAK100M50
	C7495	CCSRCH100D50	Not used

E

F

## **S** PRIMARY ASSY

AWX1460 and AWX1467 are constructed the same except for the following:

Mark	Symbol and Description	AWX1460	AWX1467
R6		RS1/8SQ471J	RS1/8SQ751J
R51		RS1/10SR221J	RS1/10SR181J
R59		RS1/8SQ365J	Not used
R70		RS1/10SR0R0J	RS1/10SR390J
R80		Not used	RS1/10SR105J
C55		CCSRCH331J50	Not used
C61		CCSRCH100D50	Not used
C62		Not used	DCH1330
C66		Not used	CCSQCH330J50

## **T** A-REG\_S ASSY

AWX1598 and AWX1599 are constructed the same except for the following:

Mark	Symbol and Description	AWX1598	AWX1599
D7506		1SS355	Not used
D7507		1SS355	Not used
R7505		RS1/8SQ273J	Not used
R7506		RS1/8SQ273J	Not used
R7513		Not used	RS1/8SQ105J

## **U** IR REG\_S ASSY

AWX1578 and AWX1579 are constructed the same except for the following:

Mark	Symbol and Description	AWX1578	AWX1579
R7255		RS1/8SQ4R7J	RS1/8SQ1R5J
R7256		RS1/8SQ4R7J	RS1/8SQ1R5J
R7275		RS1/8SQ223J	Not used
R7276		RS1/8SQ223J	Not used
R7277		RS1/8SQ223J	Not used
R7278		RS1/8SQ223J	Not used
C7275		CEAK221M16	Not used
C7276		CEAK221M16	Not used
C7283		Not used	CEAK471M16
C7284		Not used	CEAK471M16
C7292		CEAK471M16	Not used
C7293		CEAK471M16	Not used

## **V** V-REG\_S ASSY

AWX1463 and AWX1681 are constructed the same except for the following:

Mark	Symbol and Description	AWX1463	AWX1681
KN7901	Earth Terminal	Not used	AKF7002
R7901		Not used	RS1/10SR0R0J
R7919		Not used	RS1/10SR0R0J

## PCB PARTS LIST FOR SC-72/CUXJ UNLESS OTHERWISE NOTED

Mark	No.	Description	Part No.
------	-----	-------------	----------

Mark	No.	Description	Part No.
------	-----	-------------	----------

**A** **AUDIO ASSY (SC-72)**

**SEMICONDUCTORS**

IC 2501,3273	BD3473KS2
IC 2701	TC4066BFN
IC 2702,2751,2801,6701	NJM4565MD
IC 3221,6703	TC4052BFN
IC 3251,3271	NJM4565V

IC 6702	NJM4565MD
Q 2721,3221	DTC115EUA
Q 2722	DTA124EUA
Q 2971,3101,3102,3151	IMX25
Q 3001	2SD2400A

Q 3002	2SB1569A
Q 3152,3201,3202,3251	IMX25
Q 3222,6703,6704,6706	DTC124EUA
Q 3252,3271,3272,3274	IMX25
Q 3901	2SC5712

Q 6701	IMX25
Q 6702	2SD2704K
D 2691,2692	DAN217U
D 3001,3002	DZ2J075M0
D 3902	DZ2J056M0

**MISCELLANEOUS**

JA 2501,2504,3101 RCA JACK	AKB7246
JA 2502,2505,3206 RCA JACK	AKB7247
JA 3102 RCA JACK	AKB7248
JA 3201 RCA JACK	AKB7245
JA 6701 RCA JACK	AKB7249

CN2502 B TO B CONNECTOR	AKP7269
CN2503 CONNECTOR	9607S-15F
CN2861 B TO B 23PIN JACK	AKN7073
CN3001 14P SOCKET	AKP7248
CN3052 20P SOCKET	AKP7249

CN3902 CONNECTOR	9604S-09C
JP 3001 CONNECTOR ASSY	PF05PG-S20

**RESISTORS**

R 2567,2568,2726,2727	RS1/8SQ0R0J
R 2687	RS1/8SQ105J
R 2688	RS1/8SQ132J
R 2819,2820	RS1/4SA180J
R 3031	RS1/8SQ475J

R 3032	RS1/8SQ182J
R 3055,3056,6729,6730	RS1/8SQ0R0J
Other Resistors	RS1/10SR###J

**CAPACITORS**

C 2503,2504,2523,2524	CCSQCH101J50
C 2505,2506,2525,2526	CEAK220M50
C 2507,2508,2817,2818	CEAK101M16
C 2543,2544,2561,2562	CCSQCH101J50
C 2545,2546,2587,2588	CEAK220M50

C 2563,2564	CCSQCH220J50
C 2565,2566,2826,2827	CEAK100M50
C 2589,2590,2607,2608	CCSQCH101J50
C 2609,2610,2707,2708	CEAK220M50
C 2683,2701,2702,3223	CKSRYB103K50

C 2693,2694,2828,2836	ACH1479
C 2695,2696,2699,2834	CFHXSQ103J16
C 2697,2698,2703,2704	CCSRCH101J50
C 2700	CCSQCH101J50
C 2709,2710,2763,2764	CKSQYB103K50

C 2731,2732,2760,3105	CEAK220M50
C 2759,2829,2830,2832	CCSRCH101J50
C 2805,2806	CEAK1ROM50
C 2807,2808	CCSQCH221J50
C 2819,2820	CEAK471M16

C 2835	CFHXSQ103J16
C 2903,2904,3025,3026	CEAK100M50
C 2971,2972,6703,6704	CCSRCH471J50
C 3001,3002	CEAK2R2M50
C 3106,3155,3205,3206	CEAK220M50

C 3113,3114,3163,3164	CCSRCH101J50
C 3117,3118,3169,3170	CCSQCH331J50
C 3167,3913,3915,3917	CCSRCH100D50
C 3213,3214,3263,3264	CCSRCH101J50
C 3224,3265,3266,3285	CKSRYB103K50

C 3229,3230,3950	CCSQCH331J50
C 3255,3256,3275,3276	CEAK220M50
C 3261,3262,3281,3282	CCSRCH331J50
C 3283,3284,3914,3945	CCSRCH101J50
C 3286,3907	CKSRYB103K50

C 3293-3296,6711,6712	CKSRYB104K50
C 3297,3298	CCSRCH222J50
C 3903,3906	CEAK101M16
C 3909	CCSRCH331J50
C 3946	CCSRCH100D50

C 3951	CCSRCH101J50
C 3952	CEAK220M50
C 6701,6702,6707,6727	CEAK100M50
C 6708	CCSRCH471J50
C 6710	CKSRYB333K50

C 6713,6716	CKSRYB473K50
C 6714,6715,6717	CKSRYB104K50
C 6718-6723	CKSQYB103K50
C 6728	CEAK100M50

**A** **AUDIO ASSY (SC-2023)**

**SEMICONDUCTORS**

IC 2501,3273	BD3473KS2
IC 2701	TC4066BFN
IC 2702	UPC4570G2-A
IC 2751,2801,6701,6702	NJM4565MD
IC 3221,6703	TC4052BFN

IC 3251,3271	NJM4565V
Q 2721,3221	DTC115EUA
Q 2722	DTA124EUA
Q 2971,3101,3102,3151	IMX25
Q 3001	2SD2400A

Q 3002	2SB1569A
Q 3152,3201,3202,3251	IMX25
Q 3222,6703,6704,6706	DTC124EUA
Q 3252,3271,3272,3274	IMX25
Q 6701	IMX25



**Mark No. Description****Part No.**

Q 6702	2SD2704K
D 2691,2692	DAN217U
D 3001,3002	DZ2J075M0

**MISCELLANEOUS**

JA 2501,2504,3101 RCA JACK	AKB7246
JA 2502,2505,3206 RCA JACK	AKB7247
JA 3102 RCA JACK	AKB7248
JA 3201 RCA JACK	AKB7245
JA 6701 RCA JACK	AKB7249

CN2502 B TO B CONNECTOR	AKP7269
CN2503 CONNECTOR	9607S-15F
CN2861 B TO B 23PIN JACK	AKN7073
CN3001 14P SOCKET	AKP7248
CN3052 20P SOCKET	AKP7249

JP 3001 CONNECTOR ASSY	PF05PG-S20
------------------------	------------

**RESISTORS**

R 2567,2568,2726,2727	RS1/8SQ0R0J
R 2687,3032	RS1/8SQ105J
R 2688	RS1/8SQ132J
R 2819,2820	RS1/4SA180J
R 3031	RS1/8SQ472J

R 3055,3056,6729,6730	RS1/8SQ100J
Other Resistors	RS1/10SR###J

**CAPACITORS**

C 2505,2506,2525,2526	CEAK220M50
C 2507,2508,2693,2694	CEAK101M16
C 2545,2546,2587,2588	CEAK220M50
C 2565,2566,2826,2827	CEAK100M50
C 2609,2610,2707,2708	CEAK220M50

C 2683	CKSRYB103K50
C 2695,2696,2699,2709	CFHXSQ103J16
C 2697,2698,2759,2829	CCSRCH101J50
C 2700	CCSQCH101J50
C 2710,2834,2835	CFHXSQ103J16

C 2731,2732,2760,3105	CEAK220M50
C 2763,2764,6720-6723	CKSQYB103K50
C 2805,2806	CEAK1R0M50
C 2807,2808	CCSQCH221J50
C 2817,2818,2828,2836	CEAK101M16

C 2819,2820	CEAK471M16
C 2830,2832,3951	CCSRCH101J50
C 2903,2904,3025,3026	CEAK100M50
C 3001,3002	CEAK2R2M50
C 3053,3054	CEAK101M16

C 3106,3155,3205,3206	CEAK220M50
C 3255,3256,3275,3276	CEAK220M50
C 3293-3296,6711,6712	CKSRYB104K50
C 3297,3298	CCSRCH222J50
C 3952	CEAK220M50

C 6701,6702,6707,6727	CEAK100M50
C 6710	CKSRYB333K50
C 6713,6716	CKSRYB473K50
C 6714,6715,6717	CKSRYB104K50
C 6728	CEAK100M50

**Mark No. Description****Part No.****B FILTER\_S ASSY****SEMICONDUCTORS**

IC 2001,2031,2061,2091	NJM4565M
IC 2121	NJM4565M
⚠ IC 2201	BD2224G

**MISCELLANEOUS**

L 2201 INDUCTOR	CTF1357
KN2102 SCREW PLATE	VNE1948
CN2101 B TO B 13PIN JACK	AKN7068
CN2102 B TO B 23PIN JACK	AKN7073
CN2103 B TO B CONNECTOR	AKP7269

CN2104 14P SOCKET	AKP7248
CN2105 CONNECTOR	9604S-09C

**RESISTORS**

R 2021,2022,2051,2052	RS1/8SQ0R0J
R 2081,2082,2111,2112	RS1/8SQ0R0J
R 2141,2142	RS1/8SQ0R0J
Other Resistors	RS1/10SR###J

**CAPACITORS**

C 2001,2002,2009,2010	CEAK220M50
C 2003,2004	CCSRCH471J50
C 2005-2008,2033-2036	CCSRCH331J50
C 2013,2014,2043,2044	CKSQYB103K50
C 2031,2032,2039,2040	CEAK220M50

C 2037,2038,2067,2097	CCSRCH391J50
C 2061,2062,2069,2070	CEAK220M50
C 2063,2065,2093-2096	CCSRCH331J50
C 2064	CKSRYB223K50
C 2066	CKSRYB103K50

C 2068	CKSRYB562K50
C 2073,2074,2103,2104	CKSQYB103K50
C 2091,2092,2099,2100	CEAK220M50
C 2098,2127,2128	CCSRCH391J50
C 2121,2122,2207,2208	CEAK100M50

C 2123-2126	CCSRCH331J50
C 2129,2130,2201	CEAK470M25
C 2133,2134	CKSQYB104K50
C 2165,2166	CEAK221M16
C 2203	CKSRYB104K50

C 2204	CCSRCH100D50
C 2205	CCG1222

**C FRONT HDMI USB ASSY****SEMICONDUCTORS**

⚠ IC 8001	TPS2557DRB
⚠ IC 8002	BD82065FVJ
IC 8003	PCA9517DGK
⚠ IC 8004	BD9329EFJ
Q 8004	2SC4081

D 8004	DZ2J056M0
--------	-----------

**Mark No. Description Part No.****MISCELLANEOUS**

L 8001,8002 CHIP BEADS ATL7010  
 L 8003 CHOKE COIL CTH1446  
 JA 8001 USB CONNECTOR DKB1106  
 JA 8002 HDMI JACK AKP7268  
 JA 8003 HDMI JACK AKP7280

KN 8001,8002 EARTH TERMINAL AKF7002  
 CN 8001 CONNECTOR AKM1278  
 CN 8002 5P CONNECTOR VKN1374  
 JH 8002 PCB BINDER AEF7008  
 JP 8001 HOUSING ADX7760

**RESISTORS**

R 8005,8011,8052-8054 RS1/8SQ0R0J  
 R 8009 RS1/10SR473J  
 R 8014,8015 RS1/16SS2202F  
 R 8022 RS1/10SR0R0J  
 R 8033 RS1/8SQ105J

R 8044 RS1/16SS1801F  
 R 8045 RS1/16SS2200F  
 R 8046 RS1/16SS8201F  
 R 8055 RS1/4SA105J  
 R 8058,8059 RS1/8SQ0R0J

R 8087 RS1/16SS3003D  
 Other Resistors RS1/16SS###J

**CAPACITORS**

C 8001,8015,8021 CCSSCH101J50  
 C 8002,8029,8037,8038 CKSRYB104K50  
 C 8003,8016,8020,8022 CCSSCH331J50  
 C 8010,8054 CEAK221M16  
 C 8012,8017,8030 CKSRYB103K50

C 8014,8031,8051 CCSRCH331J50  
 C 8018 CKSSYB104K16  
 C 8023 CKSQYB225K16  
 C 8032,8033,8044,8045 CCG1236  
 C 8039 CCSRCH222J50

C 8041,8053 CCSRCH100D50  
 C 8042,8043 CCSSCH331J50  
 C 8078 CKSSYB473K16

**D USB RECT\_S ASSY****SEMICONDUCTORS**

⚠ D 3651 D5SBA60(B)

**MISCELLANEOUS**

H 3651,3652 FUSE CLIP AKR1004  
 KN 3651 EARTH TERMINAL AKF7002  
 CN 3652,3653 2P TOP POST B2B-EH  
 7400 HEAT SINK ANH7250  
 7401 SCREW IBZ30P080FCC

JH 3651,3652 PCB BINDER AEF7008

**RESISTORS**

R 3652 RS1/4SA105J  
 R 3654,3655,3699 RS1/10SR0R0J  
 Other Resistors RS1/8SQ###J

**Mark No. Description Part No.****CAPACITORS**

C 3651 CFTLA104J50  
 C 3661 CKSRYB104K50  
 C 3662 CCSRCH331J50  
 C 3665,3666 CEAK472M25

**E OPT COAX\_S ASSY****SEMICONDUCTORS**

IC 5401,5402 TC7WHU04FU

**MISCELLANEOUS**

JA 5401,5402 OPT IN MODULE AKS7008  
 JA 5403 RCA JACK AKB7254  
 KN 5401 SCREW PLATE VNE1948  
 CN 5401 B TO B 9PIN PLUG AKM7100

**RESISTORS**

All Resistors RS1/10SR###J

**CAPACITORS**

C 5401,5402,5411,5412 CKSRYB104K50  
 C 5403,5404 CCSRCH221J50  
 C 5405 CCSRCH101J50  
 C 5407 CEAK221M10  
 C 5408,5409 CKSRYB103K50

C 5414,5425,5431 CCSRCH331J50  
 C 5415,5423 CKSRYB104K50

**F DIGITAL MAIN\_L ASSY (SC-72)****SEMICONDUCTORS**

IC 101 UPD61110GM-100UEVA  
 IC 102 M12L2561616A-5TG2A  
 IC 103 AYW7386  
 IC 104,604,1808 TC7WHU04FK  
 IC 105,613,1601,1616 TC74VHC08FK

⚠ IC 451 TPS65251RHA  
 IC 603 PE7008A  
 IC 608 TC74VHCT541AFK  
 IC 610,1509,1806 TC74VHC126FK  
 IC 611 TC74VHCT126AFK

IC 612,1502 TC74VHCT08AFKS1  
 IC 614,616,701,1521 TC7SH08FUS1  
 IC 615 TC7SZ126FU  
 IC 901,910 TC74LCX541FK  
 IC 902,911 TC7SZ125FU

IC 903 SII9587CNUC-3  
 IC 909 ADV7181CBSTZ  
 IC 1204 88DE2750  
 IC 1212 H5PS5162GFR-S5C  
 ⚠ IC 1216 BD3539NUX

IC 1501,1805 TC74VHC157FK  
 IC 1511 ICS511MLF  
 IC 1602 SII9616CTUC  
 ⚠ IC 1605,1615 AAT4610BIGV-1  
 IC 1801 AK4588VQ

Mark	No.	Description	Part No.	Mark	No.	Description	Part No.
	IC 1802		AK4388ET	L	1823,1824,9008,9101	CHIP BEADS	VTL1129
	IC 1804,9003,9207,9601		TC74VHC08FK	L	1830	SMD SPL INDUCTOR	ATL7062
	IC 9001		M12L64164A-5TG2Y	L	9002	RESISTOR	RS1/8SQ0R0J
	IC 9002		D808K013DPTP400	L	9003,9203,9205,9206	CHIP BEADS	ATL7010
	IC 9004		AYW7388	L	9004,9010,9011	CHIP BEADS	VTL1128
	IC 9101		TC74VHC541FK	L	9201,9202,9207-9212	CHIP BEADS	VTL1129
	IC 9102		BU4094BCFV	L	9214,9219,9220	CHIP BEADS	VTL1129
	IC 9201,9209		A3V56S30FTP-G6	L	9217	FILTER	CTF1703
⚠	IC 9202		BD2226G	L	9401,9402,9405,9501	CHIP BEADS	ATL7010
	IC 9203		LAN8720A-CP	L	9510,9512,9525,9555	CHIP BEADS	ATL7010
	IC 9204		DM860A	L	9610-9613	CHIP BEADS	ATL7010
	IC 9205		AYW7391	L	9614-9618	CHIP BEADS	VTL1129
	IC 9206		H337S3959	JA	1601,1603,9601-9607	HDMI JACK	AKP7268
	IC 9208		TC7SH08FUS1	JA	9201	USB CONNECTOR	DKB1106
⚠	IC 9401,9511,9519		MM3529A50P	JA	9202	RJ45 CONNECTOR	AKN7115
⚠	IC 9402		MM3542BF	JA	9620	HDMI JACK	AKP7268
⚠	IC 9502,9518,9523		S-1172B12-E6	KN	1801	SCREW PLATE	VNE1948
⚠	IC 9503		S-1172B13-E6	X	101,1602	CRYSTAL OSCILLATOR	ASS7123
⚠	IC 9505		MM3529A18P	X	602	CRYSTAL	ASS7094
⚠	IC 9508		MM3529A25P	X	902	CRYSTAL	ASS7111
⚠	IC 9510		MM3529A33P	X	1201	CRYSTAL	ASS7114
⚠	IC 9515		S-1172B15-E6	X	1501	CRYSTAL OSCILLATOR	ASS7102
⚠	IC 9555		MM3411A50N	X	1502	CRYSTAL OSCILLATOR	ASS7101
	IC 9602		SIH9575CTUC	X	9001	RESONATOR	CSS1795
	Q 601,701,902,1501		DTC124EUA	X	9201	CRYSTAL(24MHZ)	DSS1203
	Q 901,1601,9602		SSM3K15FU	X	9601	CRYSTAL OSCILLATOR	ASS7123
	Q 906-908,1506		2SA1576A	CN	601	FFC/FPC CONNECTOR	VKN2111
	Q 909-911,9504,9515		2SC4081	CN	603	B TO B CONNECTOR	AKN7152
	Q 1502-1505		DTA124EUA	CN	901	DUMMY CODE	AKN7151
	Q 9001		DTC114YUA	CN	1502,1801	B TO B 23PIN JACK	AKN7073
⚠	Q 9503,9516		RAQ045P01	CN	1503	B TO B 13PIN JACK	AKN7068
	Q 9603		DTC124EUA	CN	1803	B TO B 9PIN JACK	AKN7066
	D 601		RB501V-40	CN	9202	CONNECTOR	AKM1276
	D 602,9504,9602		1SS355	CN	9501	CONNECTOR	B7B-EH
	D 1603,9601		DZ2J051M0	CN	9601	CONNECTOR	AKM1273
	D 1803		DAN217U	JH	9501,9503	PCB BINDER	AEF7008
	D 9401		1SR154-400				
<b>MISCELLANEOUS</b>				<b>RESISTORS</b>			
	L 101-107,603,604	CHIP BEADS	VTL1129	R	101,119,120		RAB4CQ470J
	L 451	INDUCTOR	ATH7096	R	102-104,185,186		RAB4CQ101J
	L 452,9403	INDUCTOR	ATH7086	R	108-110,1277,1284		RAB4CQ151J
	L 453	SMD SPL INDUCTOR	ATH7092	R	117,118,132-135		RAB4CQ220J
	L 454-458,901,902	CHIP BEADS	ATL7010	R	124,125		RAB4CQ820J
	L 606,903,907,908	CHIP BEADS	VTL1129	R	126-128,923,924		RAB4CQ470J
	L 917,919,928,929	CHIP BEADS	VTL1129	R	189,200,202		RAB4CQ103J
	L 918,1210,1605,1606	CHIP BEADS	ATL7010	R	196-199		RAB4CQ223J
	L 921	INDUCTOR	CTF1547	R	208,209		RS1/16SS1001F
	L 922-924	INDUCTOR	ATL7033	R	211		RS1/16SS4700F
	L 925-927	INDUCTOR	ATL7035	R	215,1100-1102		RS1/16SS2200F
	L 1208,1209,1501-1505	CHIP BEADS	VTL1129	R	455,457,459		RS1/16SS4022F
	L 1507,1521,1601-1604	CHIP BEADS	VTL1129	R	456		RS1/16SS3002F
	L 1607,1608,1613,1614	CHIP BEADS	VTL1129	R	458,460		RS1/16SS1272F
	L 1609-1612,1638-1641	COIL	ATH7064	R	469		RS1/16SS8202F
	L 1617	CHIP BEADS	VTL1126	R	470		RS1/16SS7501F
	L 1618,1642	FERRITE BEAD	CTF1528	R	471,9407		RS1/16SS2401F
	L 1643,1806,1808-1810	CHIP BEADS	VTL1129	R	475-478,1060,9257		RS1/8SQ0R0J
	L 1804	RESISTOR	RS1/10SR1R0J	R	608,609,9903,9904		RAB4CQ100J
	L 1807,1812	RESISTOR	RS1/8SQ1R0J	R	611-614,1205,1207		RAB4CQ101J

**Mark No. Description**

**Part No.**

**Mark No. Description**

**Part No.**

A

R 872,1115,1527,1528  
R 907,909,1201,1202  
R 910,911,1041,1049  
R 913,914,919,920  
R 1047,1048,1608,1611

RS1/10SR0R0J  
RAB4CQ473J  
RAB4CQ330J  
RAB4CQ680J  
RAB4CQ680J

C 180,207,212,401  
C 182,193,215  
C 185,202-205,223  
C 186,187,1095-1097  
C 402-404,465

CCSSCH101J50  
CCSSCH100D50  
CKSSYB104K16  
CCSSCH7R0D50  
CCSSCH100D50

R 1103-1105  
R 1117,1120,1123  
R 1118,1121,1124  
R 1208,1243,1244,1343  
R 1215,1339,1342

RS1/16SS5601F  
CCSSCH5R0C50  
CCSSCH4R0C50  
RAB4CQ473J  
RAB4CQ101J

C 405,407,1434,1504  
C 406,9008  
C 408  
C 426,613,616,617  
C 427,451,454,457

CCG1222  
CCSSCH330J50  
VGH1234  
CKSSYB104K16  
CCSSCH331J50

B

R 1235,1797-1799,9227  
R 1242,1245,1248,1249  
R 1288,1289,1291  
R 1345-1348,9268,9686  
R 1365,9050,9226,9232

RAB4CQ472J  
RAB4CQ470J  
RAB4CQ151J  
RAB4CQ473J  
RAB4CQ470J

C 452,455,458  
C 456,459,917,1207  
C 460-462  
C 467,9609,9610  
C 470,1101-1103

CCG1236  
CEVW221M4  
CKSRYB473K50  
CCSSCH5R0C50  
CCSSCH180J50

R 1572,1573  
R 1595  
R 1615,1622,1623,9011  
R 1677,1679,1680,1687  
R 1690,9007-9010

RS1/10SR1R0J  
RS1/8SQ104J  
RAB4CQ680J  
RAB4CQ330J  
RAB4CQ330J

C 474-476,9403,9405  
C 477,479  
C 481-483,9302  
C 484-486,495-497  
C 487

CKSQYB105K25  
CCSRCH222J50  
CKSSYB223K16  
CCG1236  
CCSRCH102J50

C

R 1808  
R 1906,1907,9401,9402  
R 9012,9018,9019,9043  
R 9016,9017,9024,9031  
R 9209,9211

RS1/16SS1202D  
RS1/10SR0R0J  
RAB4CQ680J  
RAB4CQ220J  
RAB4CQ390J

C 489-491,604,608  
C 493,494,606,618  
C 499,601,602,913  
C 506-508,9408,9414  
C 607,704,720,721

CCSSCH100D50  
CCSSCH331J50  
CEVW101M16  
CCG1236  
CCSSCH102J50

R 9233,9240,9265,9266  
R 9234-9237  
R 9285  
R 9286  
R 9290-9292,9294

RAB4CQ470J  
RAB4CQ121J  
RS1/16SS1202F  
RS1/16SS1000F  
RS1/16SS49R9F

C 610,612,614,615  
C 611,621,629,630  
C 619,623,636,646  
C 620,624,631,633  
C 622,625,626,637

CKSSYB103K25  
CCSSCH100D50  
CCSSCH101J50  
CCSSCH331J50  
CKSSYB104K16

R 9312  
R 9426,9427  
R 9428  
R 9641  
R 9687,9901,9902,9944

RS1/16SS3001F  
RS1/16SS3000F  
RS1/16SS8201F  
RS1/8SQ105J  
RAB4CQ473J

C 628,632,653,654  
C 634,640,648,665  
C 635,639,641,647  
C 638,642-645,657  
C 649,674,696,698

CKSSYB103K25  
CCSSCH100D50  
CCSSCH331J50  
CKSSYB104K16  
CCSSCH331J50

D

R 9908,9909  
Other Resistors

RAB4CQ100J  
RS1/16SS###J

C 650,651,656,659  
C 660,671,682,691  
C 662,664,670,675  
C 666,679,740-742  
C 680,681,722,761

CCSSCH101J50  
CCSSCH101J50  
CKSSYB104K16  
CCSSCH100D50  
CKSSYB104K16

**CAPACITORS**

C 101,428,1357,1610  
C 102,111,114,117  
C 103,106,109,112  
C 104,107,110,116  
C 105,108,146,162

CEVW101M4  
CCSSCH331J50  
DCH1246  
CEVW101M16  
CCSSCH101J50

C 685,925,929,947  
C 700,701,713,733  
C 705-708,717,718  
C 723,728,959,966  
C 734,750,1040,1299

CKSSYB103K25  
CCSSCH331J50  
CCSSCH101J50  
CCSSCH102J50  
CCSSCH221J50

E

C 115,118,136,911  
C 119,126,135,138  
C 120,121,124,130  
C 122,129,133,148  
C 123,125,127,132

DCH1246  
CCSSCH331J50  
CKSSYB103K25  
CCSSCH471J50  
CKSSYB104K16

C 735,749,751,752  
C 745,746,755,905  
C 753,754,756,757  
C 762,765,928,954  
C 764,903,906,927

CCSSCH101J50  
CCSSCH100D50  
CCSSCH331J50  
CCSSCH331J50  
CKSSYB104K16

C 140,142,147,150  
C 144,149,151,154  
C 152,153,158,166  
C 155,199-201,463  
C 156,178,206,627

CKSSYB104K16  
CCSSCH331J50  
CKSSYB104K16  
CKSSYB103K25  
CCSSCH471J50

C 902,923,941,952  
C 904,907,926,930  
C 915,920,933,937  
C 919,1566,1601,1615  
C 931,942,945,955

CCSSCH101J50  
CCSSCH471J50  
DCH1246  
CEVW470M4  
CKSSYB104K16

C 157,160,165,171  
C 159,161,222,1529  
C 163,173,176,184  
C 167,175,179,181  
C 170,9324,9411

CCSSCH102J50  
CKSSYB472K50  
CCSSCH331J50  
CKSSYB104K16  
CKSSYB222K50

C 932,956,960,961  
C 939,963,1214  
C 946,1048,1060,1063  
C 948,950,953,957  
C 958,969,1024,1030

CCSSCH471J50  
DCH1246  
DCH1201  
CKSSYB103K25  
CCSSCH331J50

F

Mark	No.	Description	Part No.	Mark	No.	Description	Part No.
	C	962,964,965,1026	CKSSYB104K16		C	1539,1541,1545-1547	CCSSCH331J50
	C	1025,1031,1042,1064	CEVW101M16		C	1551,1564,1666,1673	CKSSYB104K16
	C	1027,1033,1041,1084	CCSSCH101J50		C	1552,1571,1594,1623	CCSSCH331J50
	C	1028,1036	CCSSCH270J50		C	1593,1668,1680,1682	CKSSYB103K25
	C	1029,1039,1043,1045	CKSSYB103K25		C	1607,1621,1686,1693	CKSRBY103K50
	C	1032,1034,1038,1047	CKSSYB104K16		C	1617,1635,1640,1647	DCH1246
	C	1035,1037,1046,1070	CCSSCH331J50		C	1630,1638,9217,9312	CEVW221M4
	C	1044	CKSSYB823K10		C	1645,1655,1660,9298	CEVW470M4
	C	1049,1252,9249,9279	CCSSCH102J50		C	1650,9648	CEVW101M4
	C	1050-1052,1055,1057	CKSSYB104K16		C	1652,1657,1662,1665	DCH1246
	C	1054,1056,1224,1238	CKSSYB103K25		C	1667,1675,1679,1685	CCSSCH331J50
	C	1059,1061,1067,1068	CKSSYB104K16		C	1678,1698,1700,1739	CKSSYB104K16
	C	1062,1088,1361,1410	CCSSCH100D50		C	1684,1688,1690,1692	CKSSYB103K25
	C	1065,1074,1089-1091	DCH1201		C	1689,1702,1750,9011	CCSSCH101J50
	C	1069,1116,1119,1456	CCSSCH471J50		C	1691,1699,1701,1706	CCSSCH331J50
	C	1071,1072,1092-1094	CKSSYB104K16		C	1694,1745,1829,1837	CCSSCH471J50
	C	1075,9005,9029,9250	CEVW101M16		C	1695,1696,1839,9030	DCH1246
	C	1079,1080,1225,1226	CCSSCH331J50		C	1705,1724,1752,1850	CKSSYB103K25
	C	1107-1109	CCSSCH180J50		C	1735,1751,1816,1824	CCSSCH331J50
	C	1110-1112,1115,1118	CKSSYB104K16		C	1749,1803,1823,1827	CKSSYB104K16
	C	1203,1222,1230,9318	CKSRBY105K16		C	1801,1814,1822,9545	CEVW221M10
	C	1205,1228,1352,1674	DCH1201		C	1828,1832,1834,1836	CKSSYB104K16
	C	1206	CCSSCH220J50		C	1830,1851,1918-1924	CCSSCH331J50
	C	1208,1355,1358,1427	CEVW221M4		C	1831,1848,1867	CEVW220M6R3
	C	1213,1223,1229,1236	CKSSYB104K16		C	1835,9662	CCSSCH221J50
	C	1215,1220,1231,1246	CCSSCH101J50		C	1838,1846,1895,9039	CCSSCH471J50
	C	1240,1254,1267,1276	CKSSYB104K16		C	1845,1856,1894,1896	CKSSYB104K16
	C	1243,1270,1272,1305	CKSSYB103K25		C	1870,1871	CKSSYB472K50
	C	1244,1248,1251,1274	CCSSCH331J50		C	1911,9010,9016,9028	CKSSYB103K25
	C	1256,1268,1278,1286	CCSSCH101J50		C	1912,9543	CKSRBY103K50
	C	1285,1289,1297,1319	CKSSYB104K16		C	1913	CCSRCH331J50
	C	1294,1311,1323,1324	CCSSCH331J50		C	1914	CCSRCH820J50
	C	1313,1326	CCSSCH150J50		C	1915,1916,9009,9022	CCSSCH100D50
	C	1318,1325,1328,1334	CKSSYB103K25		C	9001,9006,9007,9012	CKSSYB104K16
	C	1322,1333,1339,1390	CCSSCH101J50		C	9013,9015,9021,9026	CCSSCH331J50
	C	1342,1343,1384,1391	CKSSYB104K16		C	9014,9018,9020,9023	CKSSYB104K16
	C	1346,1347,1359,1381	CCSSCH331J50		C	9019,9024,9027,9046	CCSSCH101J50
	C	1349-1351,1605,1612	DCH1246		C	9025,9036,9042-9045	CKSSYB104K16
	C	1380,1408,1455,1457	CKSSYB103K25		C	9031,9035,9040,9041	CKSSYB103K25
	C	1388,1398,1411,1454	CCSSCH331J50		C	9032,9038,9048,9051	CCSSCH331J50
	C	1392,1394,1401,1409	CKSSYB104K16		C	9034,9037,9050,9065	CCSSCH100D50
	C	1393,1395,1424,1425	CCSSCH101J50		C	9047,9059,9066,9068	CKSSYB104K16
	C	1426,1451,1453,1459	CKSSYB104K16		C	9049,9052,9058,9060	CKSSYB103K25
	C	1433,9248	CKSQYB225K16		C	9053,9056,9057,9072	CCSSCH101J50
	C	1452,1460,1462,1503	CCSSCH101J50		C	9054,9069,9222,9289	CCSSCH471J50
	C	1458,1464,1476,1482	CCSSCH471J50		C	9055,9061,9062,9064	CCSSCH331J50
	C	1461,1467,1475,1481	CKSSYB104K16		C	9063,9086,9087,9089	CKSSYB103K25
	C	1463,1465,1469,1472	CKSSYB103K25		C	9071,9073,9088	CKSSYB104K16
	C	1466,1468,1470,1471	CCSSCH331J50		C	9074,9076,9079,9143	CCSSCH331J50
	C	1477,1535,1562,1567	CKSSYB103K25		C	9075,9332,9410,9544	CKSRBY104K50
	C	1478	CCSSCH8R0D50		C	9085,9101,9204,9211	CCSSCH101J50
	C	1479	CCSSCH7R0D50		C	9090-9093,9096,9102	CKSSYB104K16
	C	1501,1505,1508,1522	CKSSYB104K16		C	9094,9095,9097,9098	CKSSYB103K25
	C	1502,1518,1565,1697	CCSSCH100D50		C	9126,9208,9229,9241	CCSSCH100D50
	C	1506,1510,1513,1670	CCSSCH471J50		C	9144,9202,9203,9205	CKSSYB104K16
	C	1507,1656,1661,9201	CCG1222		C	9147,9207,9212,9216	CKSSYB103K25
	C	1509	CEAK102M16-P35		C	9148,9206,9209,9214	CCSSCH331J50
	C	1511,1527,1681,1683	CCSSCH101J50		C	9210,9213,9221,9227	CKSSYB104K16
	C	1523,1526,1536,1538	CCSSCH331J50		C	9215,9232,9235,9243	CCSSCH331J50
	C	1525,1534	RS1/16SS0R0J		C	9219,9223,9231,9244	CKSSYB103K25

Mark	No.	Description	Part No.	Mark	No.	Description	Part No.
	C	9220,9224,9225,9238	CCSSCH101J50		C	9672,9674,9676,9680	CCSSCH331J50
	C	9230,9233	DCH1263		C	9675,9677,9679,9687	CKSSYB104K16
A	C	9234,9237,9240,9242	CKSSYB104K16		C	9678,9684,9696,9924	CCSSCH101J50
	C	9236,9284,9285,9433	CCG1222		C	9681,9683,9685,9689	CKSSYB103K25
	C	9245,9246	CCSSCH120J50		C	9682,9686,9688,9692	CCSSCH331J50
	C	9251,9255,9263,9265	CCSSCH331J50		C	9690	CCSSCH471J50
	C	9252,9254,9258,9260	CKSSYB103K25		C	9691,9693,9925	CKSSYB104K16
	C	9253,9257,9259,9261	CCSSCH101J50		C	9694,9698,9902,9920	CCSSCH331J50
	C	9256,9266,9272,9274	CKSSYB104K16		C	9695,9908,9918,9919	CKSSYB103K25
	C	9262,9264,9268,9270	CKSSYB103K25		C	9912,9914,9916	DCH1246
	C	9267,9271,9281,9291	CCSSCH331J50		C	9926	CCSSCH331J50
	C	9269,9273,9296,9358	CCSSCH100D50				
	C	9275,9277,9287,9293	CCSSCH101J50				
B	C	9276,9282,9283,9286	CKSSYB103K25				
	C	9278,9280,9288,9311	CKSSYB104K16				
	C	9290,9292,9325,9333	CKSSYB103K25				
	C	9297,9309,9319,9334	CCSSCH331J50				
	C	9300,9614,9615,9645	CEVW470M4				
	C	9301,9310,9338,9354	CCSSCH101J50				
	C	9326	CCSSCH102J50				
	C	9335,9337,9353,9355	CKSSYB104K16				
	C	9336,9356,9359,9364	CCSSCH331J50				
	C	9357,9362,9366,9409	CKSSYB103K25				
	C	9360,9363,9490,9506	CKSSYB104K16				
C	C	9361,9434,9498,9504	CCSSCH101J50				
	C	9365,9413,9420,9487	CCSSCH331J50				
	C	9367,9436,9475,9508	CEVW221M4				
	C	9401,9402,9415,9431	CCSSCH100D50				
	C	9406,9438,9440,9497	CKSQYB105K25				
	C	9412	CKSSYB153K16				
	C	9424,9426-9428,9477	CKSSYB103K25				
	C	9432,9485,9492,9495	CCSSCH100D50				
	C	9435,9486,9488,9493	CCG1222				
	C	9489,9559,9574	CEVW101M16				
	C	9491,9628,9630,9642	DCH1246				
D	C	9496,9503,9505,9643	CCG1222				
	C	9500,9517,9519,9556	CKSQYB105K25				
	C	9501,9502,9549,9561	CCSSCH100D50				
	C	9507,9518,9529,9532	CCSSCH331J50				
	C	9516,9542,9581,9597	CCSSCH101J50				
	C	9528,9531,9533,9632	CKSSYB104K16				
	C	9535,9548,9551,9566	CCSSCH331J50				
	C	9546	CEVW221M10				
	C	9558,9563,9565,9582	CKSQYB105K25				
	C	9568	CKSRB104K50				
E	C	9575	CCG1236				
	C	9585,9602,9604,9606	CCSSCH331J50				
	C	9590	CKSQYB105K25				
	C	9598,9621,9624,9633	CCSSCH100D50				
	C	9608,9612,9623,9664	CCSSCH331J50				
	C	9613	DCH1201				
	C	9616,9617,9640,9650	CCSSCH101J50				
	C	9626,9635,9639	CEVW221M4				
	C	9637	CCSSCH100D50				
	C	9646	CCG1222				
	C	9651	CEVW470M4				
F	C	9652,9697,9700,9910	DCH1246				
	C	9659,9667,9671,9673	CKSSYB104K16				
	C	9660,9666,9668,9670	CCSSCH101J50				
	C	9661,9663,9665,9669	CKSSYB103K25				

## **F** DIGITAL MAIN ASSY (SC-2023)

### SEMICONDUCTORS

IC 101	UPD61110GM-100UEVA
IC 102	M12L2561616A-5TG2A
IC 103	AYW7386
IC 104,604,1808	TC7VWHU04FK
IC 105,613,1601,1616	TC74VHC08FK
⚠ IC 451	TPS65251RHA
IC 603	PE7008A
IC 608	TC74VHCT541AFK
IC 610,1509,1806	TC74VHC126FK
IC 611	TC74VHCT126AFK
IC 612,1502	TC74VHCT08AFKS1
IC 614,616,701,1521	TC7SH08FUS1
IC 615	TC7SZ126FU
IC 901,910	TC74LCX541FK
IC 902,911	TC7SZ125FU
IC 903	SII9587CNUC-3
IC 909	ADV7181CBSTZ
IC 1204	88DE2750
IC 1212	H5P55162GFR-S5C
⚠ IC 1216	BD3539NUX
IC 1501,1805	TC74VHC157FK
IC 1511	ICS511MLF
IC 1602	SII9616CTUC
⚠ IC 1605,1615	AAT4610BIGV-1
IC 1801	AK4588VQ
IC 1802	AK4388ET
IC 1804,9003,9207,9601	TC74VHC08FK
IC 9001	M12L64164A-5TG2Y
IC 9002	D808K013DP400
IC 9004	AYW7388
IC 9101	TC74VHC541FK
IC 9102	BU4094BCFV
IC 9201,9209	A3V56S30FTP-G6
⚠ IC 9202	BD2226G
IC 9203	LAN8720A-CP
IC 9204	DM860A
IC 9205	AYW7391
IC 9206	H337S3959
IC 9208	TC7SH08FUS1
⚠ IC 9401,9511,9519	MM3529A50P

Mark	No.	Description	Part No.	Mark	No.	Description	Part No.
△	IC	9402	MM3542BF	JA	9202	RJ45 CONNECTOR	AKN7115
△	IC	9502,9518,9523	S-1172B12-E6	JA	9620	HDMI JACK	AKP7268
△	IC	9503	S-1172B13-E6	KN	1801	SCREW PLATE	VNE1948
△	IC	9505	MM3529A18P	X	101,1602	CRYSTAL OSCILLATOR	ASS7123
△	IC	9508	MM3529A25P	X	602	CRYSTAL	ASS7094
△	IC	9510	MM3529A33P	X	902	CRYSTAL	ASS7111
△	IC	9515	S-1172B15-E6	X	1201	CRYSTAL	ASS7114
△	IC	9555	MM3411A50N	X	1501	CRYSTAL OSCILLATOR	ASS7102
	IC	9602	SIH9575CTUC	X	1502	CRYSTAL OSCILLATOR	ASS7101
	Q	601,701,902,1501	DTC124EUA	X	9001	RESONATOR	CSS1795
	Q	901,1601,9602	SSM3K15FU	X	9201	CRYSTAL(24MHZ)	DSS1203
	Q	906-908,1506	2SA1576A	X	9601	CRYSTAL OSCILLATOR	ASS7123
	Q	909-911,9504,9515	2SC4081	CN	601	FFC/FPC CONNECTOR	VKN2111
	Q	1502-1505	DTA124EUA	CN	603	B TO B CONNECTOR	AKN7152
	Q	9001	DTC114YUA	CN	901	DUMMY CODE	AKN7151
△	Q	9503,9516	RAQ045P01	CN	1502,1801	B TO B 23PIN JACK	AKN7073
	Q	9603	DTC124EUA	CN	1503	B TO B 13PIN JACK	AKN7068
	D	601	RB501V-40	CN	1803	B TO B 9PIN JACK	AKN7066
	D	602,9504,9602	1SS355	CN	9202	CONNECTOR	AKM1276
	D	1603,9601	DZ2J051M0	CN	9501	CONNECTOR	B7B-EH
	D	1803	DAN217U	CN	9601	CONNECTOR	AKM1273
	D	9401	1SR154-400	JH	9501,9503	PCB BINDER	AEF7008

**MISCELLANEOUS**

L	101-107,603,604	CHIP BEADS	VTL1129
L	451	INDUCTOR	ATH7096
L	452,9403	INDUCTOR	ATH7086
L	453	SMD SPL INDUCTOR	ATH7092
L	454-458,901,902	CHIP BEADS	ATL7010
L	606,903,907,908	CHIP BEADS	VTL1129
L	917,919,928,929	CHIP BEADS	VTL1129
L	918,1210,1605,1606	CHIP BEADS	ATL7010
L	921	INDUCTOR	CTF1547
L	922-924	INDUCTOR	ATL7033
L	925-927	INDUCTOR	ATL7035
L	1208,1209,1501-1505	CHIP BEADS	VTL1129
L	1507,1521,1601-1604	CHIP BEADS	VTL1129
L	1607,1608,1613,1614	CHIP BEADS	VTL1129
L	1609-1612,1638-1641	COIL	ATH7064
L	1617	CHIP BEADS	VTL1126
L	1618,1642	FERRITE BEAD	CTF1528
L	1643,1806,1808-1810	CHIP BEADS	VTL1129
L	1804	RESISTOR	RS1/10SR1R0J
L	1807,1812	RESISTOR	RS1/8SQ1R0J
L	1823,1824,9008,9101	CHIP BEADS	VTL1129
L	1830	SMD SPL INDUCTOR	ATL7062
L	9001	RESISTOR	RS1/16SS0R0J
L	9002	RESISTOR	RS1/8SQ0R0J
L	9003,9203,9205,9206	CHIP BEADS	ATL7010
L	9004,9010,9011	CHIP BEADS	VTL1128
L	9201,9202,9207-9212	CHIP BEADS	VTL1129
L	9214,9219,9220	CHIP BEADS	VTL1129
L	9217	FILTER	CTF1703
L	9401,9402,9405,9501	CHIP BEADS	ATL7010
L	9510,9512,9525,9555	CHIP BEADS	ATL7010
L	9610-9613	CHIP BEADS	ATL7010
L	9614-9618	CHIP BEADS	VTL1129
JA	1601,1603,9601-9607	HDMI JACK	AKP7268
JA	9201	USB CONNECTOR	DKB1106

**RESISTORS**

R	101,119,120	RAB4CQ470J
R	102-104,185,186	RAB4CQ101J
R	108-110,1277,1284	RAB4CQ151J
R	117,118,132-135	RAB4CQ220J
R	124,125	RAB4CQ820J
R	126-128,923,924	RAB4CQ470J
R	189,200,202	RAB4CQ103J
R	196-199	RAB4CQ223J
R	208,209	RS1/16SS1001F
R	211	RS1/16SS4700F
R	215,1100-1102	RS1/16SS2200F
R	455,457,459	RS1/16SS4022F
R	456	RS1/16SS3002F
R	458,460	RS1/16SS1272F
R	469	RS1/16SS8202F
R	470	RS1/16SS7501F
R	471,9407	RS1/16SS2401F
R	475,476	ATL7010
R	477,478,1060,9257	RS1/8SQ0R0J
R	608,609,9903,9904	RAB4CQ100J
R	611-614,1205,1207	RAB4CQ101J
R	872,1115,1527,1528	RS1/10SR0R0J
R	907,909,1201,1202	RAB4CQ473J
R	910,911,1041,1049	RAB4CQ330J
R	913,914,919,920	RAB4CQ680J
R	1047,1048,1608,1611	RAB4CQ680J
R	1103-1105	RS1/16SS5601F
R	1117,1120,1123	CCSSCH5R0C50
R	1118,1121,1124	CCSSCH4R0C50
R	1208,1243,1244,1343	RAB4CQ473J
R	1215,1339,1342	RAB4CQ101J
R	1235,1797-1799,9227	RAB4CQ472J
R	1242,1245,1248,1249	RAB4CQ470J
R	1288,1289,1291	RAB4CQ151J
R	1345-1348,9268,9686	RAB4CQ473J

Mark	No.	Description	Part No.	Mark	No.	Description	Part No.
A	R	1365,9050,9226,9232	RAB4CQ470J	C	408		VCH1234
	R	1572,1573	RS1/10SR1R0J	C	427,451,454,457		CCSSCH331J50
	R	1595	RS1/8SQ104J	C	452,455,458		CCG1236
	R	1615,1622,1623,9011	RAB4CQ680J	C	456,459,917,1207		CEVW221M4
	R	1677,1679,1680,1687	RAB4CQ330J	C	460-462		CKSSRYB473K50
	R	1690,9007-9010	RAB4CQ330J	C	467,9609,9610		CCSSCH5R0C50
	R	1808	RS1/16SS1202D	C	470,1101-1103		CCSSCH180J50
	R	1906,1907,9401,9402	RS1/10SR0R0J	C	474-476,9403,9405		CKSQYB105K25
	R	9012,9018,9019,9043	RAB4CQ680J	C	477,479		CCSRCH222J50
	R	9016,9017,9024,9031	RAB4CQ220J	C	481-483,9302		CKSSYB223K16
B	R	9209,9211	RAB4CQ390J	C	484-486,495-497		CCG1236
	R	9233,9240,9265,9266	RAB4CQ470J	C	487		CCSRCH102J50
	R	9234-9237	RAB4CQ121J	C	489-491,604,608		CCSSCH100D50
	R	9279	RS1/16SS2801F	C	492,590,9015,9062		CCSSCH470J50
	R	9285	RS1/16SS1202F	C	493,606,618,620		CCSSCH331J50
	R	9286	RS1/16SS1000F	C	499,601,602,913		CEVW101M16
	R	9290-9292,9294	RS1/16SS49R9F	C	506-508,9408,9414		CCG1236
	R	9312	RS1/16SS3001F	C	611,621,629,630		CCSSCH100D50
	R	9426,9427	RS1/16SS3000F	C	614,615,628,632		CKSSYB103K25
	R	9428	RS1/16SS8201F	C	617,622,625,626		CKSSYB104K16
C	R	9530	CCSQCH330J50	C	624,631,633,635		CCSSCH331J50
	R	9641	RS1/8SQ105J	C	634,640,648,665		CCSSCH100D50
	R	9687,9901,9902,9944	RAB4CQ473J	C	637,638,642-645		CKSSYB104K16
	R	9908,9909	RAB4CQ100J	C	639,641,647,649		CCSSCH331J50
	Other Resistors		RS1/16SS###J	C	646,650,651,656		CCSSCH101J50
<b>CAPACITORS</b>				C	653,654,685,925		CKSSYB103K25
	C	101,428,1357,1610	CEVW101M4	C	657,662,664,670		CKSSYB104K16
	C	102,111,114,117	CCSSCH331J50	C	659,660,671,682		CCSSCH101J50
	C	103,106,109,112	DCH1246	C	666,679,740-742		CCSSCH100D50
	C	104,107,110,116	CEVW101M16	C	674,696,698,700		CCSSCH331J50
	C	105,108,146,162	CCSSCH101J50				
D	C	115,118,136,911	DCH1246	C	675,680,681,722		CKSSYB104K16
	C	119,126,135,138	CCSSCH331J50	C	691,705-708,717		CCSSCH101J50
	C	120,121,124,130	CKSSYB103K25	C	701,713,733,753		CCSSCH331J50
	C	122,129,133,148	CCSSCH471J50	C	718,735,749,751		CCSSCH101J50
	C	123,125,127,132	CKSSYB104K16	C	721,723,728,959		CCSSCH102J50
	C	140,147,150,152	CKSSYB104K16	C	734,750,1040,1299		CCSSCH221J50
	C	144,607,704,720	CCSSCH102J50	C	745,746,755,905		CCSSCH100D50
	C	149,151,154,163	CCSSCH331J50	C	752,902,923,941		CCSSCH101J50
	C	153,159,161,166	CKSSYB104K16	C	754,756,757,762		CCSSCH331J50
	C	155,158,199-201	CKSSYB103K25	C	761,764,903,906		CKSSYB104K16
E	C	156,160,170,178	CCSSCH471J50	C	765,928,954,958		CCSSCH331J50
	C	157,193,215	CCSSCH100D50	C	915,920,933,937		DCH1246
	C	165,173,176,184	CCSSCH331J50	C	919,1566,1601,1615		CEVW470M4
	C	167,171,175,179	CKSSYB104K16	C	926,930,932,956		CCSSCH471J50
	C	180,182,207,212	CCSSCH101J50	C	927,931,942,945		CKSSYB104K16
	C	181,185,202-205	CKSSYB104K16	C	929,947,948,950		CKSSYB103K25
	C	186,187,1095-1097	CCSSCH7R0D50	C	939,963,1214		DCH1246
	C	206,627,904,907	CCSSCH471J50	C	946,1048,1060,1063		DCH1201
	C	216,426,613,616	CKSSYB104K16	C	952,1027,1033,1041		CCSSCH101J50
	C	222,1529,1870,1871	CKSSYB472K50	C	953,957,1029,1038		CKSSYB103K25
F	C	223,463,610,612	CKSSYB103K25	C	955,962,964,965		CKSSYB104K16
	C	401,619,623,636	CCSSCH101J50	C	960,961,1069,1116		CCSSCH471J50
	C	402-404,465	CCSSCH100D50	C	1024,1030,1035,1037		CCSSCH331J50
	C	405,407,1434,1504	CCG1222	C	1025,1031,1042,1064		CEVW101M16
	C	406,591,969,1460	CCSSCH330J50	C	1026,1032,1034		CKSSYB104K16
	C			C	1028,1036		CCSSCH270J50
	C			C	1039,1043,1045,1047		CKSSYB103K25
	C			C	1044		CKSSYB823K10
	C			C	1046,1070,1079,1080		CCSSCH331J50
	C			C	1049,1252,9249,9279		CCSSCH102J50



Mark	No.	Description	Part No.	Mark	No.	Description	Part No.
	C	1050-1052,1055,1057	CKSSYB104K16		C	1666,1673,1678,1698	CKSSYB104K16
	C	1054,1056,1224,1236	CKSSYB103K25		C	1668,1680,1682,1684	CKSSYB103K25
	C	1059,1061,1067,1068	CKSSYB104K16		C	1679,1685,1691,1699	CCSSCH331J50
	C	1062,1088,1361,1410	CCSSCH100D50		C	1683,1750,9003,9008	CCSSCH330J50
	C	1065,1074,1089-1091	DCH1201		C	1688,1690,1692,1705	CKSSYB103K25
	C	1071,1072,1092-1094	CKSSYB104K16		C	1700,1749,1803,1823	CKSSYB104K16
	C	1075,1113,9005,9029	CEVW101M16		C	1701,1706,1735,1745	CCSSCH331J50
	C	1084,1215,1231,1246	CCSSCH101J50		C	1724,1739,1752,1850	CKSSYB103K25
	C	1107-1109	CCSSCH180J50		C	1751,1816,1824,1830	CCSSCH331J50
	C	1110-1112,1115,1118	CKSSYB104K16		C	1801,1814,1822,9545	CEVW221M10
	C	1119,1456,1458,1464	CCSSCH471J50		C	1827,1828,1832,1834	CKSSYB104K16
	C	1203,1222,1230,9318	CKSRYP105K16		C	1831,1848,1867	CEVW220M6R3
	C	1205,1228,1352,1674	DCH1201		C	1835,9662	CCSSCH221J50
	C	1206,1220	CCSSCH220J50		C	1836,1845,1856,1894	CKSSYB104K16
	C	1208,1355,1358,1427	CEVW221M4		C	1837,1838,1846,1895	CCSSCH471J50
	C	1213,1223,1229,1240	CKSSYB104K16		C	1839,9030,9491,9628	DCH1246
	C	1225,1226,1244,1248	CCSSCH331J50		C	1851,1918-1924,9013	CCSSCH331J50
	C	1238,1243,1267,1270	CKSSYB103K25		C	1896,9001,9006,9007	CKSSYB104K16
	C	1251,1274,1294,1311	CCSSCH331J50		C	1911,9010,9016,9028	CKSSYB103K25
	C	1254,1276,1285,1289	CKSSYB104K16		C	1912,9543	CKSRYP103K50
	C	1256,1268,1278,1286	CCSSCH101J50		C	1913	CCSRCH331J50
	C	1272,1305,1318,1319	CKSSYB103K25		C	1914	CCSRCH820J50
	C	1297,1343,1384,1391	CKSSYB104K16		C	1915,1916,9009,9022	CCSSCH100D50
	C	1313,1326	CCSSCH150J50		C	9011,9019,9024,9027	CCSSCH101J50
	C	1322,1333,1339,1390	CCSSCH101J50		C	9012,9014,9018,9020	CKSSYB104K16
	C	1323,1324,1346,1347	CCSSCH331J50		C	9021,9026,9032,9038	CCSSCH331J50
	C	1325,1328,1334,1342	CKSSYB103K25		C	9023,9025,9036	CKSSYB104K16
	C	1349-1351,1605,1612	DCH1246		C	9031,9035,9040,9041	CKSSYB103K25
	C	1359,1381,1388,1398	CCSSCH331J50		C	9034,9037,9050,9065	CCSSCH100D50
	C	1380,1401,1408,1455	CKSSYB103K25		C	9039,9054,9069,9222	CCSSCH471J50
	C	1392,1394,1409,1426	CKSSYB104K16		C	9042-9045,9059,9066	CKSSYB104K16
	C	1393,1395,1424,1425	CCSSCH101J50		C	9046,9053,9056,9057	CCSSCH101J50
	C	1411,1454,1466,1468	CCSSCH331J50		C	9047,9049,9052,9058	CKSSYB103K25
	C	1433,9248	CKSQYB225K16		C	9048,9051,9055,9061	CCSSCH331J50
	C	1451,1453,1459,1461	CKSSYB104K16		C	9060,9063,9071,9086	CKSSYB103K25
	C	1452,1462,1503,1511	CCSSCH101J50		C	9064,9074,9076,9079	CCSSCH331J50
	C	1457,1463,1465,1469	CKSSYB103K25		C	9068,9073,9088	CKSSYB104K16
	C	1467,1475,1481,1501	CKSSYB104K16		C	9072,9085,9101,9204	CCSSCH101J50
	C	1470,1471,1523,1526	CCSSCH331J50		C	9075,9332,9410,9544	CKSRYP104K50
	C	1472,1477,1535,1562	CKSSYB103K25		C	9087,9089,9094,9095	CKSSYB103K25
	C	1476,1482,1506,1510	CCSSCH471J50		C	9090-9093,9096,9102	CKSSYB104K16
	C	1478	CCSSCH8R0D50		C	9097,9098,9147,9203	CKSSYB103K25
	C	1479	CCSSCH7R0D50		C	9126,9208,9229,9241	CCSSCH100D50
	C	1502,1518,1565,1697	CCSSCH100D50		C	9143,9148,9206,9209	CCSSCH331J50
	C	1505,1508,1522,1551	CKSSYB104K16		C	9144,9202,9205,9210	CKSSYB104K16
	C	1507,1656,1661,9201	CCG1222		C	9207,9212,9216,9219	CKSSYB103K25
	C	1509	CEAK102M16-P35		C	9211,9220,9224,9225	CCSSCH101J50
	C	1513,1670,1694,1829	CCSSCH471J50		C	9213,9221,9227,9234	CKSSYB104K16
	C	1525,1534	RS1/16SS0R0J		C	9214,9235,9243,9251	CCSSCH331J50
	C	1527,1681,1689,1702	CCSSCH101J50		C	9215,9267,9287,9293	CCSSCH330J50
	C	1536,1538,1539,1541	CCSSCH331J50		C	9223,9231,9244,9252	CKSSYB103K25
	C	1545-1547,1552,1571	CCSSCH331J50		C	9230,9233	DCH1263
	C	1567,1593,1658,1663	CKSSYB103K25		C	9232	CCSSCH181J50
	C	1594,1623,1667,1675	CCSSCH331J50		C	9236,9284,9285,9433	CCG1222
	C	1607,1621,1686,1693	CKSRYP103K50		C	9237,9240,9242,9256	CKSSYB104K16
	C	1617,1635,1640,1647	DCH1246		C	9238,9253,9257,9259	CCSSCH101J50
	C	1630,1638,9217,9312	CEVW221M4		C	9245,9246	CCSSCH120J50
	C	1645,1655,1660,9298	CEVW470M4		C	9250,9489,9559,9574	CEVW101M16
	C	1650,9648	CEVW101M4		C	9254,9258,9260,9262	CKSSYB103K25
	C	1652,1665,1695,1696	DCH1246		C	9255,9265,9271,9281	CCSSCH331J50

Mark	No.	Description	Part No.
	C	9261,9275,9297,9310	CCSSCH101J50
	C	9263,9269,9277,9666	CCSSCH470J50
	C	9264,9268,9270,9276	CKSSYB103K25
A	C	9266,9272,9274,9278	CKSSYB104K16
	C	9273,9296,9358,9401	CCSSCH100D50
	C	9280,9288,9311,9335	CKSSYB104K16
	C	9282,9283,9286,9290	CKSSYB103K25
	C	9289,9291,9309,9319	CCSSCH331J50
	C	9292,9325,9333,9353	CKSSYB103K25
	C	9300,9614,9615,9645	CEVW470M4
	C	9301,9365,9485,9692	CCSSCH330J50
	C	9314,9367,9436,9475	CEVW221M4
	C	9324,9411	CKSSYB222K50
B	C	9326	CCSSCH102J50
	C	9334,9336,9356,9359	CCSSCH331J50
	C	9337,9355,9360,9363	CKSSYB104K16
	C	9338,9354,9361,9434	CCSSCH101J50
	C	9357,9362,9366,9409	CKSSYB103K25
	C	9364,9413,9420,9487	CCSSCH331J50
	C	9402,9415,9431,9432	CCSSCH100D50
	C	9406,9438,9440,9497	CKSQYB105K25
	C	9407	CCSQCH330J50
	C	9412	CKSSYB153K16
	C	9424,9426-9428,9477	CKSSYB103K25
C	C	9435,9486,9488,9493	CCG1222
	C	9492,9495,9501,9502	CCSSCH100D50
	C	9496,9503,9505,9643	CCG1222
	C	9498,9504,9516,9542	CCSSCH101J50
	C	9500,9517,9519,9556	CKSQYB105K25
	C	9506,9528,9531,9533	CKSSYB104K16
	C	9507,9518,9529,9532	CCSSCH331J50
	C	9508,9626,9635,9639	CEVW221M4
	C	9535,9548,9551,9566	CCSSCH331J50
	C	9546	CEVW221M10
	C	9549,9561,9598,9621	CCSSCH100D50
D	C	9558,9563,9565,9582	CKSQYB105K25
	C	9568	CKSRYP104K50
	C	9575	CCG1236
	C	9581,9597,9616,9617	CCSSCH101J50
	C	9585,9602,9604,9606	CCSSCH331J50
	C	9590	CKSQYB105K25
	C	9608,9612,9623,9664	CCSSCH331J50
	C	9613	DCH1201
	C	9624,9633,9637	CCSSCH100D50
	C	9632,9659,9667,9671	CKSSYB104K16
E	C	9640,9650,9660,9670	CCSSCH101J50
	C	9642,9652,9697,9700	DCH1246
	C	9646	CCG1222
	C	9651	CEVW470M4
	C	9661,9663,9665,9669	CKSSYB103K25
	C	9668	CCSSCH470J50
	C	9672,9674,9676,9680	CCSSCH331J50
	C	9673,9675,9687,9691	CKSSYB104K16
	C	9677,9679,9681,9683	CKSSYB103K25
	C	9678,9684,9924	CCSSCH101J50
	C	9682,9686,9688,9696	CCSSCH331J50
F	C	9685,9689,9695,9908	CKSSYB103K25
	C	9690	CCSSCH471J50
	C	9693,9925	CKSSYB104K16
	C	9694	CCSSCH330J50

Mark	No.	Description	Part No.
	C	9698,9902,9920,9926	CCSSCH331J50
	C	9910,9912,9914,9916	DCH1246
	C	9918,9919	CKSSYB103K25

## **G** INTERFACE\_S ASSY

### SEMICONDUCTORS

Q	7001-7003,7013,7015	DTC124EUA
Q	7005	2SA1576A
Q	7008,7010	2SA1036K
Q	7014,7016	DTA124EUA
Q	7025-7028	2SD2704K

D	7005	DAN202U
D	7007,7009	RB501VM-40
D	7024	1SS355

### MISCELLANEOUS

L	7001 CHIP SOLID INDUCTOR	ATL7002
L	7005-7007 CHIP SOLID INDUCTOR	QTL1013
JA	7001,7004,7005 JACK	VKB1243
JA	7003 JACK	AKN-209
KN	7001 SCREW PLATE	VNE1948

KN	7005,7006 EARTH TERMINAL	AKF7002
CN	7004 B TO B CONNECTOR	AKM7222
CN	7006 CONNECTOR	9604S-19C
CN	7009 CONNECTOR	CKS3368
CN	7010 CONNECTOR	9604S-15C

CN	7012 B TO B CONNECTOR	AKM7221
JH	7001,7003,7004 PCB BINDER	AEF7008
JP	7001 HOUSING	ADX7747

### RESISTORS

R	7107	RS1/8SQ0R0J
R	7108	RS1/8SQ105J
R	7139,7140	RS1/4SA150J
R	7145-7148,7150	RS1/4SA0R0J
	Other Resistors	RS1/10SR###J

### CAPACITORS

C	7002-7005,7134	CCSRCH100D50
C	7006,7012,7080,7082	CCSRCH102J50
C	7007,7011,7015,7081	CKSRYP104K50
C	7013,7016,7022	CKSRYP103K50
C	7023,7026	CKSRYP153K50

C	7083,7114	CKSRYP104K50
C	7101,7143	CCSRCH101J50
C	7108	CEAK470M25
C	7112	CEAK221M16
C	7113	CCSRCH331J50

C	7135	CCSRCH102J50
---	------	--------------

## **H** COMPONENT ASSY

### SEMICONDUCTORS

IC	8301	NJW1327FU1
IC	8401	NJM2505AF
IC	8501	PDC162A
IC	8601	HIN202EIBNZ
Q	8301,8604	2SA1576A

**Mark No. Description Part No.**

	Q 8302,8501,8603	2SC4081
	Q 8303,8605	DTC114EUA
⚠	Q 8401	2SC5712
⚠	Q 8402	2SA2070
	D 8301,8302,8601,8605	1SS355
	D 8401	DAN217U
	D 8404,8408	DZ2J039M0

**MISCELLANEOUS**

L 8501	CHIP COIL	LCYA330J2520
JA 8301	6P PIN JACK NI	AKB7224
JA 8304	3P PIN JACK NI	AKB7227
JA 8601	9P D-SUB SOCKET	AKP7256
X 8501	CRYSTAL RESONATOR	ASS7080
CN8301	B TO B CONNECTOR	AKM7221
CN8303	20P PLUG	AKM7171
CN8401	PLUG(2P)	KM200NA2L
JP 8402	CONNECTOR ASS'Y	PF04PG-S10

**RESISTORS**

R 8301-8306	RS1/10SR75R0F
R 8310,8312,8314	RS1/10SR68R0F
R 8417	RS1/8SQ105J
R 8418	RS1/8SQ471J
Other Resistors	RS1/10SR###J

**CAPACITORS**

C 8301,8302,8383,8417	CEAK101M16
C 8303,8311,8312,8319	CKSRYB103K50
C 8304,8308,8310,8314	CKSRYB104K50
C 8305-8307,8313,8315	DCH1263
C 8309,8317,8322,8340	VCG1072
C 8316,8318,8321,8323	CKSRYB104K50
C 8320,8330,8331,8338	CKSRYB103K50
C 8324,8326,8341-8343	DCH1263
C 8325,8327,8328,8336	CKSRYB104K50
C 8333,8334,8389,8501	CCSRCH102J50
C 8335,8376,8377,8379	CCSRCH100D50
C 8337,8344,8347-8349	CKSRYB104K50
C 8339,8360,8402,8513	CKSRYB103K50
C 8345,8346,8404,8405	DCH1263
C 8354,8355,8381,8387	CKSRYB105K16
C 8358,8359	CCSRCH220J50
C 8378	CCSRCH471J50
C 8384,8385,8388	CKSRYB473K50
C 8386	CKSRYB562K50
C 8390	CKSRYB105K16
C 8395,8401,8522,8523	CKSRYB104K50
C 8406,8407,8503,8509	CCSRCH101J50
C 8409,8414	DCH1263
C 8418,8520,8521,8613	CEAK101M16
C 8419,8420	CEAK221M16
C 8421,8422,8610,8618	CCSRCH331J50
C 8504,8505	CCSRCH5R0C50
C 8506,8508	CCSRCH240J50
C 8507,8510	CCSRCH122J50
C 8511,8512	CCSRCH470J50
C 8515,8601	CKSRYB103K50
C 8602,8604-8606	CKSRYB104K50
C 8611,8612,8617	CCSRCH100D50
C 8614	CCSRCH101J50

**Mark No. Description Part No.**

**I COMPOSITE ASSY**

**SEMICONDUCTORS**

Q 3601,3604,3608	2SA1576A
Q 3602,3603,3607	HN1C01FU

**MISCELLANEOUS**

JA 3601-3603 2P PIN JACK	AKB7229
JA 3605 1P PIN JACK	AKB7231
CN 3601 20P SOCKET	AKP7249

**RESISTORS**

R 3606,3609,3627	RS1/10SR68R0F
R 3629-3632	RS1/10SR75R0F
Other Resistors	RS1/10SR###J

**CAPACITORS**

C 3602,3603,3605,3606	CKSRYB104K50
C 3607,3619,3620	CCSRCH181J50
C 3612,3613	CKSRYB104K50
C 3614,3617	CCSRCH331J50
C 3615,3616	CKSRYB103K50
C 3621-3624	CEAK101M16

**J MIC HP ASSY**

**SEMICONDUCTORS**

IC 3471	NJM4565MD
Q 3451	DTC124EUA
Q 3452-3455	2SD2704K
D 3473-3475	DZ2J051M0

**MISCELLANEOUS**

JA 3471 JACK	VKB1243
JA 3472 JACK	AKB7219
JA 3476 HEADPHONE JACK	XKB3066
KN 3471,3472 EARTH TERMINAL	AKF7002
CN 3472 CONNECTOR	9604S-15C

**RESISTORS**

R 3456,3459	RS1/4SA0R0J
R 3495	RS1/10SR75R0F
R 3498,3499	RS1/8SQ100J
Other Resistors	RS1/10SR###J

**CAPACITORS**

C 3451,3452	CKSRYB822K50
C 3457,3475,3479,3494	CCSRCH101J50
C 3460	CCG1236
C 3473	CCSRCH471J50
C 3476,3477	CCSRCH330J50
C 3478	CEAK100M50
C 3480	DCH1263
C 3483,3484	CEAK101M16
C 3485	CKSRYB105K16
C 3486,3496	CKSRYB103K50
C 3488	CKSRYB223K50
C 3490	CCSRCH331J50

**Mark No. Description Part No.**

**Mark No. Description Part No.**

## **K** DISPLAY ASSY

### SEMICONDUCTORS

△ IC 6002	NJM2878F3-33
IC 6003	PE5615A
NSP IC 6111	AYW7395
Q 6001	2SK2034
Q 6002-6010,6012	DTC124EUA
Q 6011	DTA124EUA
Q 6013	2SA1576A
D 6001	RB751V-40
D 6002,6005	DAN217U
D 6006,6008,6010,6012	SLR343BC4T(JKLM)
D 6014	SLR343BC4T(JKLM)
D 6016	1SS355

### MISCELLANEOUS

L 6001 CHIP SOLID INDUCTOR	ATL7002
KN6001 FL HOLDER(FE)	VNF1096
V 6001 FL TUBE DISPLAY	AAV7115
S 6001-6019 SWITCH	ASG7029
X 6002 CERAMIC RESONATOR	VSS1142
CN6001 39P CONNECTOR	VKN2098
CN6003 5P CONNECTOR	VKN1820
JH 6002 4P CABLE HOLDER	51048-0400
JH 6003,6004 3P CABLE HOLDER	51048-0300
JP 6001 HOUSING	ADX7776
JP 6002 JUMPER WIRE	D20PYY0410E
JP 6003,6004 JUMPER WIRE	D20PYY0310E
U 6001 REMOTE RECEIVER UNIT	GP1UE274XKC1

### RESISTORS

All Resistors RS1/10SR###J

### CAPACITORS

C 6001,6008,6014,6024	CKSRYB103K50
C 6004	CKSRYB474K16
C 6005,6045,6063	CCSRCH471J50
C 6006,6010,6011,6019	CKSRYB104K50
C 6007,6029	CCSRCH101J50
C 6009	CKSRYB472K50
C 6012,6013	CKSRYB473K50
C 6016,6017,6049	CKSRYB105K16
C 6018,6034,6038,6042	CCSRCH331J50
C 6020,6022,6026,6037	CKSRYB104K50
C 6027,6048	CEAK221M16
C 6030,6068,6089-6091	CKSRYB103K50
C 6032,6035,6047,6092	CCSRCH100D50
C 6039,6043,6044,6065	CKSRYB104K50
C 6040	CCSRCH330J50
C 6051,6053	CEAK101M16
C 6054,6056,6057	CCSRCH221J50
C 6055,6058	CCSRCH470J50
C 6059-6061,6064,6067	CCSRCH331J50
C 6066,6069,6088	CEAK470M50
C 6071-6086	CCSRCH471J50
C 6087	CEAK101M35
C 6093	CCSRCK2R0C50
C 6094,6096	CCSRCH100D50
C 6095	CKSRYB103K50

## **L** VOL ASSY

### MISCELLANEOUS

S 3371 ROTARY ENCODER	ASX7053
CN 3371 3P JUMPER CONNECTOR	52147-0310

### CAPACITORS

C 3371,3372	CKSRYB103K50
-------------	--------------

## **M** POWER SW ASSY

### SEMICONDUCTORS

Q 3401	DTC143EUA
D 3402	SLR343BC4T(JKLM)

### MISCELLANEOUS

S 3401 SWITCH	VSG1024
CN 3401 4P JUMPER CONNECTOR	52147-0410

### RESISTORS

All Resistors RS1/10SR###J

### CAPACITORS

C 3401	CCSRCH221J50
C 3402	CKSRYB104K50

## **N** ENCODER ASSY

### MISCELLANEOUS

S 3501 ROTARY ENCODER	ASX7054
CN 3501 3P JUMPER CONNECTOR	52147-0310

### RESISTORS

All Resistors RS1/10SR###J

### CAPACITORS

C 3501,3502	CKSRYB103K50
-------------	--------------

## **O** IR BUFFER\_S ASSY

### SEMICONDUCTORS

IC 6801,6821,6841,6861	UPC4570G2-A
IC 6881,7451,7471	UPC4570G2-A
IC 7491	TC4053BFN
Q 6801,6821,6841,6861	2SD2704K
Q 6881,7451,7471	2SD2704K

### MISCELLANEOUS

KN 6801 WRAPPING TERMINAL	CKF1089
CN 6802,6803 24P PLUG	AKM7173
CN 6804 20P SOCKET	AKP7249

Mark	No.	Description	Part No.	Mark	No.	Description	Part No.
<b>RESISTORS</b>							
	R	6801,6802,6807,6808	RS1/10SR8201F	⚠	IC	4502,4603,4703	NJM2830U1-12
	R	6806,6826,6846,6866	RS1/10SR22R0F		Q	4000	DTC124EUA
	R	6815	RS1/8SQ224J		Q	4001,4020,4026,4030	2SA1576A
	R	6816,6835,6836,6855	RS1/8SQ225J		Q	4002,4017,4036	DTC115EUA
	R	6821,6822,6827,6828	RS1/10SR8201F		Q	4004,4006,4008,4018	DTA124EUA
	R	6841,6842,6847,6848	RS1/10SR8201F		Q	4005,4007,4009,4019	DTC114TUA
	R	6856,6875,6876,6895	RS1/8SQ225J		Q	4012,4035	HN1A01FU
	R	6861,6862,6867,6868	RS1/10SR8201F		Q	4014,4016,4027,4029	HN1C01FU
	R	6869,6889	RS1/10SR1000F		Q	4015,4021-4023,4025	2SC4081
	R	6881,6882,6887,6888	RS1/10SR8201F		Q	4024	2SC3906K
	R	6886,7456,7476	RS1/10SR22R0F		Q	4031	DTA124EUA
	R	6896,7465,7466,7485	RS1/8SQ225J		Q	4032	DTC114TUA
	R	6915,6916,6935,6936	RS1/8SQ0R0J		Q	4033,4112,4115,4116	2SC2412K
	R	7451,7452,7457,7458	RS1/10SR8201F	⚠	Q	4034,4037,4038,4042	2SC4081
	R	7471,7472,7477,7478	RS1/10SR8201F		Q	4101,4102,4201,4202	IRF6775MPBF
	R	7486	RS1/8SQ225J		Q	4103-4105,4108	2SC4081
	R	7491,7492	RS1/8SQ105J		Q	4106,4107,4111,4113	2SA1576A
	R	8851-8855,8864,8865	RS1/8SQ0R0J		Q	4109,4209,4309,4409	2SD2704K
		Other Resistors	RS1/10SR###J		Q	4110,4210,4310,4410	2SA1514K
					Q	4114,4314,4514	HN1K02FU
<b>CAPACITORS</b>							
	C	6801,6802,6821,6822	CFHXSQ103J16		Q	4203-4205,4208	2SC4081
	C	6807,6827,6847,6867	CEAK220M50	⚠	Q	4206,4207,4211,4213	2SA1576A
	C	6814,6834,6854,6874	CEAK470M25		Q	4301,4302,4401,4402	IRF6775MPBF
	C	6841,6842,6861,6862	CFHXSQ103J16		Q	4303-4305,4308	2SC4081
	C	6881,6882,7451,7452	CFHXSQ103J16		Q	4306,4307,4311,4313	2SA1576A
	C	6887,7457,7477	CEAK220M50		Q	4312,4512,4712,4714	2SC2412K
	C	6894,7464,7484	CEAK470M25		Q	4403-4405,4408,4414	2SC4081
	C	7471,7472,7494,7497	CFHXSQ103J16		Q	4406,4407,4411,4413	2SA1576A
	C	7495	CCSRCH100D50	⚠	Q	4415,4503-4505,4508	2SC4081
					Q	4501,4502,4601,4602	IRF6775MPBF
					Q	4506,4507,4511,4513	2SA1576A
					Q	4509,4609,4709	2SD2704K
					Q	4510,4610,4710	2SA1514K
					Q	4603-4605,4608,4612	2SC4081
					Q	4606,4607,4611,4613	2SA1576A
					Q	4614,4703-4705,4708	2SC4081
				⚠	Q	4701,4702	IRF6775MPBF
					Q	4706,4707,4711,4713	2SA1576A
					Q	4715,5012,5013,5015	2SC2412K
					Q	5014,5017-5020	2SC4081
					Q	5016	2SC2412K
					D	4005,4022,4023,4119	1SS355
					D	4011,4012	DAN202U
					D	4013,4014,4018,4019	DZ2J240M0
					D	4015,4020	DZ2J270M0
					D	4017,4021	DZ2J180M0
					D	4108,4109,4208,4209	RF101L2S
					D	4117,4217,4317,4417	RF071M2S
					D	4118,4218,4318,4418	CMH07
					D	4219,4319,4419,4519	1SS355
					D	4308,4309,4408,4409	RF101L2S
					D	4508,4509,4608,4609	RF101L2S
					D	4517,4617,4717,5000	RF071M2S
					D	4518,4618,4718	CMH07
					D	4619,4719	1SS355
					D	4708,4709	RF101L2S
<b>BUFFER GND_S ASSY</b>							
<b>MISCELLANEOUS</b>							
		KN6961 SCREW PLATE	VNE1948				
		KN6962 SCREW PLATE(MTL)	ANG7591				
<b>IR INTERFACE_S ASSY</b>							
<b>MISCELLANEOUS</b>							
		CN3801,3802 24P SOCKET	AKP7251				
		CN3810,3830,3840,3850 5P SOCKET	KP200IB5L				
		CN3860,3870,3880,3890 5P SOCKET	KP200IB5L				
<b>D-AMP_S ASSY (SC-72)</b>							
<b>SEMICONDUCTORS</b>							
		IC 4001	BU7262SFVM				
		IC 4004	TC74VHC08FK				
		IC 4005	TA76L431FB				
		IC 4007	BU4094BCFV				
	⚠	IC 4008	NJM78M05DL1A				
	⚠	IC 4009	NJM79M05DL1A				
	⚠	IC 4101,4201,4301,4401	IRS2092SPBF				
	⚠	IC 4102,4203,4302,4403	NJM2830U1-12				
		IC 4204,4404,4604,4704	NJM12904V				
	⚠	IC 4501,4601,4701	IRS2092SPBF				

Mark	No.	Description	Part No.	Mark	No.	Description	Part No.
<b>MISCELLANEOUS</b>							
	L	4100,4200,4300,4400 OTHER COIL	ATH7090	R	4220,4267,4319,4320		RS1/10SR1001F
	L	4500,4600,4700 OTHER COIL	ATH7090	R	4240,4241,4337,4340		ACN7165
A	JA	4101 SPEAKER TERMINAL 6-P	AKE7107	R	4287,4288,4307,4387		ACN7180
	JA	4301,4501 SPEAKER TERMINAL 4-P	AKE7109	R	4295-4298,4386		RS1/8SQ47J
	JA	5101 SPEAKER TERMINAL 4-P	AKE7109	R	4301,4363,4401,4463		RS1/10SR2701F
	KN	4000 WRAPPING TERMINAL	CKF1089	R	4303,4362,4403,4462		RS1/4SA103J
	KN	4100,4200,4300,4400 SCREW PLATE	VNE1948	R	4311-4314,4411-4414		RS1/4SA2R2J
	KN	4500 SCREW PLATE	VNE1948	R	4316,4378,4416,4478		ACN7198
	KN	4502,4901 EARTH TERMINAL	AKF7002	R	4322,4323,4422,4423		ACN7196
	RY	4100,4300,4500,4700 RELAY	XSR3015	R	4330,4334,4430,4434		RS1/8SQ103J
	RY	5000 RELAY	XSR3015	R	4331,4335,4431,4435		RS1/8SQ752J
	CN	4000 CONNECTOR	9604S-19C	R	4332,4349,4432,4449		RS1/8SQ822J
B	CN	4002 PLUG(2P)	KM200NA2	R	4333,4377,4433,4477		ACN7197
	CN	4003 PLUG(4P)	KM200NA4	R	4341,4437,4440,4441		ACN7165
	CN	4004 PLUG(7P)	KM200NA7	R	4342,4343,4442,4443		ACN7189
	CN	4100,4200,4300,4400 5P PLUG	KM200IB5	R	4352,4357,4452,4457		RS1/10SR6802F
	CN	4500,4600,4700,4900 5P PLUG	KM200IB5	R	4355,4368,4455,4468		RS1/10SR4702F
				R	4365,4379,4465,4479		RS1/8SQ124J
				R	4367,4419,4420,4467		RS1/10SR1001F
				R	4388,4407,4487,4488		ACN7180
<b>RESISTORS</b>							
	R	4042	RS1/8SQ0R0J				
	R	4057	RS1/8SQ471J	R	4395-4398,4486		RS1/8SQ47J
	R	4060	RS1/10SR5602F	R	4495-4498,4586		RS1/8SQ47J
	R	4061	RS1/10SR3302F	R	4501,4563,4601,4663		RS1/10SR2701F
	R	4101,4163,4201,4263	RS1/10SR2701F	R	4503,4562,4603,4662		RS1/4SA103J
C	R	4103,4162,4203,4262	RS1/4SA103J	R	4507,4587,4588,4607		ACN7180
	R	4107,4187,4188,4207	ACN7180	R	4511-4514,4611-4614		RS1/4SA2R2J
	R	4111-4114,4211-4214	RS1/4SA2R2J	R	4515,4615,4715		ACN7192
	R	4115,4215,4315,4415	ACN7192	R	4516,4578,4616,4678		ACN7198
	R	4116,4178,4216,4278	ACN7198	R	4519,4520,4567,4619		RS1/10SR1001F
	R	4119,4120,4167,4219	RS1/10SR1001F	R	4522,4523,4622,4623		ACN7196
	R	4122,4123,4222,4223	ACN7196	R	4527,4627,4727		RS1/4SA104J
	R	4127,4227,4327,4427	RS1/4SA104J	R	4529,4629,4729		RS1/8SQ182J
	R	4129,4229,4329,4429	RS1/8SQ182J	R	4530,4534,4630,4634		RS1/8SQ103J
	R	4130,4134,4230,4234	RS1/8SQ103J	R	4531,4535,4631,4635		RS1/8SQ752J
D	R	4131,4135,4231,4235	RS1/8SQ752J	R	4532,4549,4632,4649		RS1/8SQ822J
	R	4132,4149,4232,4249	RS1/8SQ822J	R	4533,4577,4633,4677		ACN7197
	R	4133,4177,4233,4277	ACN7197	R	4536,4636,4736		RS1/8SQ242J
	R	4136,4236,4336,4436	RS1/8SQ242J	R	4537,4540,4541,4637		ACN7165
	R	4137,4140,4141,4237	ACN7165	R	4538,4638,4738		RS1/8SQ4R7J
	R	4138,4238,4338,4438	RS1/8SQ4R7J	R	4539,4639,4739,5105		RS1/8SQ100J
	R	4139,4239,4339,4439	RS1/8SQ100J	R	4542,4543,4642,4643		ACN7189
	R	4142,4143,4242,4243	ACN7189	R	4545,4645,4745		RS1/10SR4701F
	R	4145,4245,4345,4445	RS1/10SR4701F	R	4548,4648,4748		RS1/10SR3901F
	R	4148,4248,4348,4448	RS1/10SR3901F	R	4550,4650,4750		RS1/10SR2200F
	R	4150,4250,4350,4450	RS1/10SR2200F	R	4552,4557,4652,4657		RS1/10SR6802F
E	R	4152,4157,4252,4257	RS1/10SR6802F	R	4554,4654,4754		ACN7186
	R	4154,4254,4354,4454	ACN7186	R	4555,4568,4655,4668		RS1/10SR4702F
	R	4155,4168,4255,4268	RS1/10SR4702F	R	4556,4656,4756		RS1/10SR8201F
	R	4156,4256,4356,4456	RS1/10SR8201F	R	4565,4579,4665,4679		RS1/8SQ124J
	R	4165,4179,4265,4279	RS1/8SQ124J	R	4566,4666,4766,5001		RS1/10SR1002F
	R	4166,4266,4366,4466	RS1/10SR1002F	R	4569,4669,4769		RS1/10SR3902F
	R	4169,4269,4369,4469	RS1/10SR3902F	R	4576,4676,4776		RS1/8SQ102J
	R	4173,4373,4573,4773	RS1/4SA390J	⚠	4581,4681,4781		NTCG104KF104FB
	R	4174,4374,4574,4774	RS1/4SA470J	R	4593,4693,4793		RS1/8SQ1R0J
	R	4175,4375,4575,4791	RS1/4SA100J	R	4595-4598,4686		RS1/8SQ47J
F	⚠	4176,4276,4376,4476	RS1/8SQ102J	R	4620,4667,4719,4720		RS1/10SR1001F
	R	4181,4281,4381,4481	NTCG104KF104FB	R	4640,4641,4737,4740		ACN7165
	R	4186,4195-4198,4286	RS1/8SQ47J	R	4687,4688,4707,4787		ACN7180
	R	4193,4293,4393,4493	RS1/8SQ1R0J	R	4695-4698,4786		RS1/8SQ47J
				R	4701,4763		RS1/10SR2701F

Mark	No.	Description	Part No.	Mark	No.	Description	Part No.
R	4703,4762		RS1/4SA103J	C	4078,4079,4180,4182		ACE7090
R	4711-4714		RS1/4SA2R2J	C	4080,4098,4099,4105		CFHXSQ102J50
R	4716,4778		ACN7198	C	4097		CCSRCH101J50
R	4722,4723		ACN7196	C	4100,4200,4300,4400		CFTLA104J2A
R	4730,4734,5029,5030		RS1/8SQ103J	C	4101,4201,4301,4401		CFTLA474J2A
R	4731,4735		RS1/8SQ752J	C	4108,4109,4208,4209		CEAK471M16-P35
R	4732,4749		RS1/8SQ822J	C	4110,4310,4510,4710		CEAK100M50
R	4733,4777		ACN7197	C	4111,4121,4122,4211		CFHXSQ103J16
R	4741		ACN7165	C	4112,4212,4312,4412		CCG1255
R	4742,4743		ACN7189	C	4113,4213,4313,4413		CKSRYB104K50
R	4752,4757		RS1/10SR6802F	C	4119,4219,4319,4419		ACG7110
R	4755,4768		RS1/10SR4702F	C	4120,4123,4205,4220		CFHXSQ102J50
R	4765,4779		RS1/8SQ124J	C	4134,4136,4234,4236		ACH7376
R	4767,5000		RS1/10SR1001F	C	4149,4150,4249,4250		ACH7359
R	4788,5003,5004,5026		ACN7180	C	4156,4256,4356,4456		CKSRYB473K50
R	4795-4798		RS1/8SQR47J	C	4159,4160,4259,4260		ACG7107
R	4807,4822,4907,4922		RS1/4SAOR0J	C	4161,4175,4261,4275		ACG7105
R	5007,5008		RS1/4SA105J	C	4221,4222,4311,4321		CFHXSQ103J16
R	5011,5018		RS1/8SQ563J	C	4223,4305,4320,4323		CFHXSQ102J50
R	5012,5016,5020,5021		RS1/8SQ104J	C	4267,4366,4367,4466		CEAK101M16
R	5013,5019,5111,5112		RS1/8SQ224J	C	4280,4282,4380,4382		ACE7090
R	5014,5022		RS1/8SQ683J	C	4308,4309,4408,4409		CEAK471M16-P35
R	5015,5023,5113,5114		RS1/8SQ223J	C	4322,4411,4421,4422		CFHXSQ103J16
R	5017,5025		RS1/8SQ473J	C	4334,4336,4434,4436		ACH7376
R	5024,5110,5115,5122		RS1/8SQ104J	C	4349,4350,4449,4450		ACH7359
R	5039,5040,5099,5100		RS1/8SQ222J	C	4359,4360,4459,4460		ACG7107
R	5059,5159		ACN7180	C	4361,4375,4461,4475		ACG7105
R	5062,5063		RS1/4SA222J	C	4405,4420,4423,4505		CFHXSQ102J50
R	5066,5068		RS1/8SQ331J	C	4467,4566,4567,4666		CEAK101M16
R	5095,5175		RS1/4SA100J	C	4480,4482,4580,4582		ACE7090
R	5101,5102		RS1/4SA331J	C	4500,4600,4700		CFTLA104J2A
R	5107		RS1/4SA224J	C	4501,4601,4701		CFTLA474J2A
R	5116,5117,5123,5124		RS1/8SQ224J	C	4508,4509,4608,4609		CEAK471M16-P35
R	5118,5119,5126,5127		RS1/8SQ223J	C	4511,4521,4522,4611		CFHXSQ103J16
R	5128,5142,5151,5157		RS1/8SQ104J	C	4512,4612,4712		CCG1255
R	5130,5131,5143,5144		RS1/8SQ224J	C	4513,4613,4713		CKSRYB104K50
R	5132		RS1/8SQ223J	C	4519,4619,4719		ACG7110
R	5152,5153,5158,5160		RS1/8SQ224J	C	4520,4523,4605,4620		CFHXSQ102J50
R	5173		RS1/4SA390J	C	4534,4536,4634,4636		ACH7376
R	5174		RS1/4SA470J	C	4549,4550,4649,4650		ACH7359
Other Resistors		RS1/10SR###J		C	4556,4656,4756		CKSRYB473K50
				C	4559,4560,4659,4660		ACG7107
				C	4561,4575,4661,4675		ACG7105
				C	4621,4622,4711,4721		CFHXSQ103J16
				C	4623,4705,4720,4723		CFHXSQ102J50
				C	4658,4758		CKSRYB103K50
				C	4667,4766,4767		CEAK101M16
				C	4680,4682,4780,4782		ACE7090
				C	4708,4709		CEAK471M16-P35
				C	4722		CFHXSQ103J16
				C	4734,4736		ACH7376
				C	4749,4750		ACH7359
				C	4759,4760		ACG7107
				C	4761,4775		ACG7105
				C	5000		CFHXSQ102J50
				C	5080,5082,5180,5182		ACE7090
				C	5110		CEAK100M50


**CAPACITORS**

C	4006,4086,4258,4458	CKSRYB103K50
C	4007,4011,4013	CCSRCH331J50
C	4008,4010,4036,4052	ACH7321
C	4009,4014,4016,4087	CCSRCH101J50
C	4022,4026,4035,4040	CKSRYB104K50
C	4023	CEHVW100M16
C	4024,4065,4066,4069	CEAK101M16
C	4044	CCSRCH221J50
C	4046-4048,4050,4051	CCSRCH331J50
C	4057,4058	ACH7305
C	4063	ACH7311
C	4067,4068,4073,4074	CFHXSQ103J16
C	4070,4166,4167,4266	CEAK101M16
C	4071,4072	CEAK471M16
C	4077	CCSRCH100D50

Mark	No.	Description	Part No.	Mark	No.	Description	Part No.	
A		<b>R</b> <b>D-AMP_S ASSY (SC-2023)</b>						
		<b>SEMICONDUCTORS</b>						
		IC 4001	BU7262SFVM	D	4117,4217,4317,4417		RF071M2S	
		IC 4004	TC74VHC08FK	D	4118,4218,4318,4418		CMH07	
		IC 4005	TA76L431FB	D	4119,4201,4219,4301		1SS355	
		IC 4007	BU4094BCFV	D	4308,4309,4408,4409		RF101L2S	
	⚠	IC 4008	NJM78M05DL1A	D	4319,4401,4419,4501		1SS355	
	⚠	IC 4009	NJM79M05DL1A	D	4508,4509,4608,4609		RF101L2S	
	⚠	IC 4101,4201,4301,4401	IRS2092SPBF	D	4517,4617,4717,5000		RF071M2S	
	⚠	IC 4102,4203,4302,4403	NJM2830U1-12	D	4518,4618,4718		CMH07	
	⚠	IC 4204,4404,4604,4704	NJM2732V	D	4519,4601,4619,4701		1SS355	
	⚠	IC 4501,4601,4701	IRS2092SPBF	D	4708,4709		RF101L2S	
	B	⚠	IC 4502,4603,4703	NJM2830U1-12	D	4719		1SS355
			Q 4002,4017,4036	DTC115EUA	<b>MISCELLANEOUS</b>			
		Q 4004,4006,4008,4018	DTA124EUA	L	4100,4200,4300,4400	OTHER COIL	ATH7090	
		Q 4005,4007,4009,4019	DTC114TUA	L	4500,4600,4700	OTHER COIL	ATH7090	
		Q 4012,4035	HN1A01FU	JA	4101	SPEAKER TERMINAL 6-P	AKE7107	
				JA	4301,4501	SPEAKER TERMINAL 4-P	AKE7109	
				JA	5101	SPEAKER TERMINAL 4-P	AKE7109	
		Q 4014,4016,4027,4029	HN1C01FU	KN	4000	WRAPPING TERMINAL	CKF1089	
		Q 4015,4021-4023,4025	2SC4081	KN	4100,4200,4300,4400	SCREW PLATE	VNE1948	
		Q 4020,4026,4030,4106	2SA1576A	KN	4500	SCREW PLATE	VNE1948	
		Q 4024	2SC3906K	KN	4502,4901	EARTH TERMINAL	AKF7002	
	Q 4031	DTA124EUA	RY	4100,4300,4500,4700	RELAY	XSR3015		
C		Q 4032	DTC114TUA	RY	5000	RELAY	XSR3015	
		Q 4033,4112,4115,4116	2SC2412K	CN	4000	CONNECTOR	9604S-19C	
		Q 4034,4037,4038,4042	2SC4081	CN	4002	PLUG(2P)	KM200NA2	
	⚠	Q 4101,4102,4201,4202	IRF6775MPBF	CN	4003	PLUG(4P)	KM200NA4	
		Q 4104,4105,4108,4204	2SC4081	CN	4004	PLUG(7P)	KM200NA7	
		Q 4107,4111,4113,4206	2SA1576A	CN	4100,4200,4300,4400	5P PLUG	KM200IB5	
		Q 4109,4209,4309,4409	2SD2704K	CN	4500,4600,4700,4900	5P PLUG	KM200IB5	
		Q 4110,4210,4310,4410	2SA1514K	<b>RESISTORS</b>				
		Q 4114,4314,4514	HN1K02FU	R	4042		RS1/8SQ0R0J	
		Q 4205,4208,4304,4305	2SC4081	R	4057		RS1/8SQ471J	
	D	⚠	Q 4207,4211,4213,4306	2SA1576A	R	4060		RS1/10SR5602F
⚠		Q 4301,4302,4401,4402	IRF6775MPBF	R	4061		RS1/10SR3302F	
		Q 4307,4311,4313,4406	2SA1576A	R	4101,4163,4201,4263		RS1/10SR2701F	
		Q 4308,4404,4405,4408	2SC4081	R	4103,4203,4303,4403		RS1/4SA103J	
		Q 4312,4414,4415,4512	2SC2412K	R	4107,4187,4188,4207		ACN7180	
		Q 4407,4411,4413,4506	2SA1576A	R	4111-4114,4211-4214		RS1/4SA2R2J	
⚠		Q 4501,4502,4601,4602	IRF6775MPBF	R	4115,4215,4315,4415		ACN7192	
		Q 4504,4505,4508,4604	2SC4081	R	4116,4178,4216,4278		ACN7198	
		Q 4507,4511,4513,4606	2SA1576A	R	4120,4167,4220,4267		RS1/10SR1001F	
		Q 4509,4609,4709	2SD2704K	R	4122,4123,4222,4223		ACN7196	
E			Q 4510,4610,4710	2SA1514K	R	4125,4126,4225,4226		ACN7094
		Q 4605,4608,4704,4705	2SC4081	R	4127,4227,4327,4427		RS1/4SA104J	
		Q 4607,4611,4613,4706	2SA1576A	R	4129,4229,4329,4429		RS1/8SQ182J	
		Q 4612,4614,4712,4714	2SC2412K	R	4130,4134,4230,4234		RS1/8SQ103J	
	⚠	Q 4701,4702	IRF6775MPBF	R	4131,4135,4231,4235		RS1/8SQ752J	
		Q 4707,4711,4713	2SA1576A	R	4132,4232,4332,4432		RS1/8SQ822J	
		Q 4708,5014	2SC4081	R	4133,4177,4233,4277		ACN7197	
		Q 4715,5012,5013	2SC2412K	R	4136,4236,4336,4436		RS1/8SQ242J	
		Q 5015-5020	2SC2412K	R	4137,4141,4237,4241		ACN7165	
		D 4005,4022,4023,4101	1SS355	R	4138,4238,4338,4438		RS1/8SQ4R7J	
	F		D 4011,4012	DAN202U	R	4139,4239,4339,4439		RS1/8SQ100J
		D 4013,4014,4018,4019	DZ2J240MO	R	4140,4174,4240,4340		RS1/4SA470J	
		D 4015,4020	DZ2J270MO	R	4142,4143,4242,4243		ACN7189	
		D 4017,4021	DZ2J180MO					
		D 4108,4109,4208,4209	RF101L2S					



Mark	No.	Description	Part No.	Mark	No.	Description	Part No.
	R	4145,4245,4345,4445	RS1/10SR4701F				
	R	4148,4248,4348,4448	RS1/10SR3901F	R	4549,4649,4749		RS1/8SQ153J
	R	4149,4249,4349,4449	RS1/8SQ153J	R	4550,4650,4750		RS1/10SR2200F
	R	4150,4250,4350,4450	RS1/10SR2200F	R	4552,4557,4652,4657		RS1/10SR6802F
	R	4152,4157,4252,4257	RS1/10SR6802F	R	4554,4654,4754		ACN7186
	R	4154,4254,4354,4454	ACN7186	R	4555,4568,4655,4668		RS1/10SR4702F
	R	4155,4168,4255,4268	RS1/10SR4702F	R	4556,4656,4756		RS1/10SR8201F
	R	4156,4256,4356,4456	RS1/10SR8201F	R	4562,4662,4762		RS1/4SA123J
	R	4162,4262,4362,4462	RS1/4SA123J	R	4565,4579,4665,4679		RS1/8SQ124J
	R	4165,4179,4265,4279	RS1/8SQ124J	R	4566,4666,4766,5001		RS1/10SR1002F
	R	4166,4266,4366,4466	RS1/10SR1002F	R	4569,4669,4769		RS1/10SR3902F
	R	4169,4269,4369,4469	RS1/10SR3902F	R	4576,4676,4776		RS1/8SQ102J
	R	4173,4373,4573,4773	RS1/4SA390J	⚠ R	4581,4681,4781		NTCG104KF104FB
	R	4175,4375,4575,4791	RS1/4SA100J	R	4593,4693,4793		RS1/8SQ1R0J
	R	4176,4276,4376,4476	RS1/8SQ102J	R	4595-4598,4686		RS1/8SQR47J
⚠	R	4181,4281,4381,4481	NTCG104KF104FB	R	4640,4740,4774,5174		RS1/4SA470J
	R	4186,4195-4198,4286	RS1/8SQR47J	R	4687,4688,4707,4787		ACN7180
	R	4193,4293,4393,4493	RS1/8SQ1R0J	R	4695-4698,4786		RS1/8SQR47J
	R	4287,4288,4307,4387	ACN7180	R	4701,4763		RS1/10SR2701F
	R	4295-4298,4386	RS1/8SQR47J	R	4711-4714		RS1/4SA2R2J
	R	4301,4363,4401,4463	RS1/10SR2701F	R	4716,4778		ACN7198
	R	4311-4314,4411-4414	RS1/4SA2R2J	R	4720,4767,5000		RS1/10SR1001F
	R	4316,4378,4416,4478	ACN7198	R	4722,4723		ACN7196
	R	4320,4367,4420,4467	RS1/10SR1001F	R	4725,4726		ACN7094
	R	4322,4323,4422,4423	ACN7196	R	4730,4734,5029,5030		RS1/8SQ103J
	R	4325,4326,4425,4426	ACN7094	R	4731,4735		RS1/8SQ752J
	R	4330,4334,4430,4434	RS1/8SQ103J	R	4733,4777		ACN7197
	R	4331,4335,4431,4435	RS1/8SQ752J	R	4737,4741		ACN7165
	R	4333,4377,4433,4477	ACN7197	R	4742,4743		ACN7189
	R	4337,4341,4437,4441	ACN7165	R	4752,4757		RS1/10SR6802F
	R	4342,4343,4442,4443	ACN7189	R	4755,4768		RS1/10SR4702F
	R	4352,4357,4452,4457	RS1/10SR6802F	R	4765,4779		RS1/8SQ124J
	R	4355,4368,4455,4468	RS1/10SR4702F	R	4788,5003-5005,5026		ACN7180
	R	4365,4379,4465,4479	RS1/8SQ124J	R	4795-4798		RS1/8SQR47J
	R	4374,4440,4540,4574	RS1/4SA470J	R	4807,4822,4907,4922		RS1/4SA0R0J
	R	4388,4407,4487,4488	ACN7180	R	5006-5010,5096		RS1/4SA105J
	R	4395-4398,4486	RS1/8SQR47J	R	5011,5018		RS1/8SQ563J
	R	4495-4498,4586	RS1/8SQR47J	R	5012,5016,5020,5021		RS1/8SQ104J
	R	4501,4563,4601,4663	RS1/10SR2701F	R	5013,5019,5111,5112		RS1/8SQ224J
	R	4503,4603,4703	RS1/4SA103J	R	5014,5022		RS1/8SQ683J
	R	4507,4587,4588,4607	ACN7180	R	5015,5023		RS1/8SQ223J
	R	4511-4514,4611-4614	RS1/4SA2R2J	R	5017,5025,5113,5114		RS1/8SQ473J
	R	4515,4615,4715	ACN7192	R	5024,5110,5115,5122		RS1/8SQ104J
	R	4516,4578,4616,4678	ACN7198	R	5039,5040,5099,5100		RS1/8SQ222J
	R	4520,4567,4620,4667	RS1/10SR1001F	R	5059,5159		ACN7180
	R	4522,4523,4622,4623	ACN7196	R	5062,5063		RS1/4SA222J
	R	4525,4526,4625,4626	ACN7094	R	5066,5068		RS1/8SQ331J
	R	4527,4627,4727	RS1/4SA104J	R	5095,5175		RS1/4SA100J
	R	4529,4629,4729	RS1/8SQ182J	R	5101,5102		RS1/4SA331J
	R	4530,4534,4630,4634	RS1/8SQ103J	R	5107		RS1/4SA224J
	R	4531,4535,4631,4635	RS1/8SQ752J	R	5116,5117,5123,5124		RS1/8SQ224J
	R	4532,4632,4732	RS1/8SQ822J	R	5118,5119,5126,5127		RS1/8SQ473J
	R	4533,4577,4633,4677	ACN7197	R	5128,5142,5151,5157		RS1/8SQ104J
	R	4536,4636,4736	RS1/8SQ242J	R	5130,5131,5143,5144		RS1/8SQ224J
	R	4537,4541,4637,4641	ACN7165	R	5132		RS1/8SQ473J
	R	4538,4638,4738	RS1/8SQ4R7J	R	5152,5153,5158,5160		RS1/8SQ224J
	R	4539,4639,4739,5105	RS1/8SQ100J	R	5173		RS1/4SA390J
	R	4542,4543,4642,4643	ACN7189	Other Resistors			RS1/10SR###J
	R	4545,4645,4745	RS1/10SR4701F				
	R	4548,4648,4748	RS1/10SR3901F				

Mark	No.	Description	Part No.	Mark	No.	Description	Part No.
<b>CAPACITORS</b>							
A	C	4006,4258,4458,4658	CKSRYP103K50	C	4525,4625,4725	RS1/8SQ105J	
	C	4007,4011,4013,4046	CCSRCH331J50	C	4526,4626,4726	RS1/8SQ182J	
	C	4008,4010,4036,4052	ACH7321	C	4534,4536,4634,4636	ACH7376	
	C	4009,4014,4016,4097	CCSRCH101J50	C	4549,4550,4649,4650	ACH7359	
	C	4022	CFHXSQ102J16	C	4556,4656,4756	CKSRYP473K50	
	C	4023,5184,5185	CEHVW100M16	C	4559,4560,4659,4660	ACG7107	
	C	4024,4065,4066,4069	CEAK101M16	C	4561,4575,4661,4675	ACG7105	
	C	4026,4067,4068,4073	CFHXSQ103J16	C	4611,4621,4622,4711	CFHXSQ103J16	
	C	4040	CCH1814	C	4667,4766,4767	CEAK101M16	
	C	4044,4048	CCSRCH221J50	C	4680,4682,4780,4782	ACE7090	
	C	4047,4050,4051	CCSRCH331J50	C	4705,4720,4723,5000	CFHXSQ102J50	
	C	4057,4058	ACH7305	C	4708,4709	CEAK471M16-P35	
B	C	4070,4166,4167,4266	CEAK101M16	C	4721,4722,5186	CFHXSQ103J16	
	C	4071,4072	CEAK471M16	C	4734,4736	ACH7376	
	C	4074,4111,4121,4122	CFHXSQ103J16	C	4749,4750	ACH7359	
	C	4077	CCSRCH470J50	C	4758	CKSRYP103K50	
	C	4078,4079,4180,4182	ACE7090	C	4759,4760	ACG7107	
	C	4084	ACE7082	C	4761,4775	ACG7105	
	C	4098,4099,4105,4120	CFHXSQ102J50	C	5080,5082,5180,5182	ACE7090	
	C	4100,4200,4300,4400	CFTLA104J2A	C	5110	CEAK100M50	
	C	4101,4201,4301,4401	CFTLA474J2A	<div style="text-align: center;">  <p><b>S PRIMARY ASSY</b></p> <p><b>SEMICONDUCTORS</b></p> <p>⚠ IC 1 STR2A153</p> <p>⚠ IC 52 NJM1431AF</p> <p>Q 71 2SD2704K</p> <p>⚠ D 1 D2SB60A</p> <p>⚠ D 2,5 SARS01LF-F7</p> <p>⚠ D 3 SJPL-D2</p> <p>D 4 KDZ36B</p> <p>⚠ D 50 FMEN-220A</p> <p>D 71,72 1SS355</p> <p><b>MISCELLANEOUS</b></p> <p>⚠ L 1 LINE FILTER ATF7046</p> <p>L 51 COIL ATH7080</p> <p>⚠ L 71 LINE FILTER XTF3004</p> <p>H 1,2,71,72 FUSE CLIP AKR1004</p> <p>⚠ JA 71 AC INLET ASSY ADX7513</p> <p>KN 1,2 SCREW PLATE VNE1948</p> <p>KN 50,52 EARTH TERMINAL AKF7002</p> <p>⚠ RY 71 POWER RELAY ASR7034</p> <p>⚠ T 1 POWER TRANSFORMER ATK7006</p> <p>⚠ CN 81 CONNECTOR B2P3-VH</p> <p>1 HEAT SINK(AL) ANH7224</p> <p>2 SCREW BBZ30P080FCC</p> <p>JP 51 HOUSING ADX7792</p> <p>⚠ PC 1 PHOTO COUPLER TLP781(GR)</p> <p><b>RESISTORS</b></p> <p>R 1 RS1LMF680J</p> <p>R 2 ACN7200</p> <p>R 3 RS1LMFR68J</p> <p>R 5 RS1/8SQ120J</p> <p>R 6 RS1/8SQ471J</p> <p>⚠ R 9-11 ACN7173</p> <p>R 53 RS1/10SR3001F</p> <p>R 54 RS1/10SR7501F</p> <p>R 56 RS1/10SR8201F</p> <p>R 57 ACN7180</p> </div>			
C	C	4110,4310,4510,4710	CEAK100M50				
	C	4112,4212,4312,4412	CCG1255				
	C	4113,4213,4313,4413	CKSRYP104K50				
	C	4119,4219,4319,4419	ACG7110				
	C	4123,4205,4220,4223	CFHXSQ102J50				
	C	4125,4225,4325,4425	RS1/8SQ105J				
	C	4126,4226,4326,4426	RS1/8SQ182J				
	C	4134,4136,4234,4236	ACH7376				
	C	4149,4150,4249,4250	ACH7359				
	C	4156,4256,4356,4456	CKSRYP473K50				
	C	4159,4160,4259,4260	ACG7107				
	C	4161,4175,4261,4275	ACG7105				
D	C	4211,4221,4222,4311	CFHXSQ103J16				
	C	4267,4366,4367,4466	CEAK101M16				
	C	4280,4282,4380,4382	ACE7090				
	C	4305,4320,4323,4405	CFHXSQ102J50				
	C	4308,4309,4408,4409	CEAK471M16-P35				
	C	4321,4322,4411,4421	CFHXSQ103J16				
	C	4334,4336,4434,4436	ACH7376				
	C	4349,4350,4449,4450	ACH7359				
	C	4359,4360,4459,4460	ACG7107				
	C	4361,4375,4461,4475	ACG7105				
	C	4420,4423,4505,4520	CFHXSQ102J50				
E	C	4422,4511,4521,4522	CFHXSQ103J16				
	C	4467,4566,4567,4666	CEAK101M16				
	C	4480,4482,4580,4582	ACE7090				
	C	4500,4600,4700	CFTLA104J2A				
	C	4501,4601,4701	CFTLA474J2A				
	C	4508,4509,4608,4609	CEAK471M16-P35				
	C	4512,4612,4712	CCG1255				
	C	4513,4613,4713	CKSRYP104K50				
	C	4519,4619,4719	ACG7110				
	C	4523,4605,4620,4623	CFHXSQ102J50				
F							

Mark	No.	Description	Part No.	Mark	No.	Description	Part No.
	R 59		RS1/8SQ365J	⚠	D	7271-7274	1SR154-400
	R 74		RS1/8SQ105J	⚠	D	7400,7401	LN6SB60-4003
		Other Resistors	RS1/10SR###J				
<b>CAPACITORS</b>				<b>MISCELLANEOUS</b>			
⚠	C 1		ACE7071	H	7201-7204,7241,7242	FUSE CLIP	AKR1004
	C 3		ACH7342	H	7251-7254	FUSE CLIP	AKR1004
	C 4		ACE7095	CN	7201	8P TOP POST	B8B-EH
	C 5		ACH7385	CN	7241	PLUG(2P)	KM200NA2
	C 6		ACG7112	CN	7251	PLUG(7P)	KM200NA7
⚠	C 12,21		VCG1046	CN	7271	PLUG(4P)	KM200NA4
	C 52		BCH1044	CN	7281	CONNECTOR	CKS3368
	C 53,56		CKSRYB104K50	CN	7400	PLUG	CKS-556
	C 55		CCSRCH331J50		7400,7401	HEAT SINK	ANH7250
	C 58		ACH7369		7402,7403	SCREW	IBZ30P080FCC
⚠	C 61		CCSRCH100D50	JH	7251-7254	PCB BINDER	AEF7008
⚠	C 73		XCG3010	JP	7291	HOUSING	ADX7778
	C 74,75		CCSRCH220J50				

## T A-REG\_S ASSY

### SEMICONDUCTORS

⚠	IC	7501	NJM78M12FA
⚠	IC	7502	NJM79M12FA
⚠	D	7501-7504	1SR154-400
	D	7506,7507	1SS355

### MISCELLANEOUS

H	7501-7504	FUSE CLIP	AKR1004
CN	7501	5P TOP POST	B5B-EH
CN	7502	L-PLUG(5P)	KM200NA5L
JH	7501,7502	PCB BINDER	AEF7008

### RESISTORS

All Resistors	RS1/8SQ###J
---------------	-------------

### CAPACITORS

C	7503	CEAK332M25
C	7504	CFLA394J50
C	7511	CEAK222M25
C	7515,7516	CEAK221M35

## U IR REG\_S ASSY

### SEMICONDUCTORS

⚠	IC	7241	NJM78M15FA
⚠	IC	7251	NJM78M12FA
⚠	IC	7252	NJM79M12FA
⚠	IC	7271	NJM78M08FA
⚠	IC	7272	NJM79M08FA
	Q	7203,7204,7207,7221	DTC124EUA
	Q	7205,7206,7224	DTA124EUA
⚠	Q	7211	2SD2400A
⚠	Q	7212	2SB1569A
	Q	7222	DTA143EUA
	Q	7223,7225,7226	DTC124EUA
	D	7200,7219	1SS355
	D	7213,7214	DZ2J075M0
	D	7215,7216	1SR154-400
⚠	D	7241-7244,7251-7254	1SR154-400

⚠	D	7271-7274	1SR154-400
⚠	D	7400,7401	LN6SB60-4003
<b>MISCELLANEOUS</b>			
H	7201-7204,7241,7242	FUSE CLIP	AKR1004
H	7251-7254	FUSE CLIP	AKR1004
CN	7201	8P TOP POST	B8B-EH
CN	7241	PLUG(2P)	KM200NA2
CN	7251	PLUG(7P)	KM200NA7
CN	7271	PLUG(4P)	KM200NA4
CN	7281	CONNECTOR	CKS3368
CN	7400	PLUG	CKS-556
	7400,7401	HEAT SINK	ANH7250
	7402,7403	SCREW	IBZ30P080FCC
JH	7251-7254	PCB BINDER	AEF7008
JP	7291	HOUSING	ADX7778
<b>RESISTORS</b>			
R	7211,7213	RD1/4MUF102J	
R	7245,7258,7259,7273	RS1/4SA105J	
R	7255,7256	RS1/8SQ4R7J	
R	7260	RS1/8SQ105J	
R	7272,7403,7404	ACN7180	
R	7274,7405,7406	RS1/4SA105J	
R	7275-7278	RS1/8SQ223J	
R	7400	RS1/4SA913J	
R	7401	RS1/4SA683J	
R	7402	RD1/4MUF100J	
Other Resistors			
			RS1/10SR###J

### CAPACITORS

C	7203,7204	CCSRCH331J50
C	7213,7214	CEAK221M10
C	7215,7219	CEAK100M50
C	7221,7246	CEAK470M25
C	7240,7250	CFLA394J50
C	7241	CEAK222M35
C	7251,7252	CEAK222M25
C	7255,7256	CEAK221M35
C	7270	CFLA474J2A
C	7271,7272	CEAK222M16
C	7275,7276	CEAK221M16
C	7292,7293	CEAK471M16
C	7400,7401	ACH7258
C	7402,7403	CFLA104J2A

## V V-REG\_S ASSY

### SEMICONDUCTORS

⚠	IC	7551	NJM78M12FA
	IC	7901	S-80848CNMC-B89
	Q	7161	2SC4081
	Q	7901	2SA1037K
	D	7161,7162,7556,7902	1SS355
⚠	D	7551,7554,7555	1SR154-400
⚠	D	7557-7559	1SR154-400
	D	7560	D3SBA60(B)
	D	7561,7562,7564	DZ2J051M0
	D	7563	PTZ22(B)
	D	7901,7903	DAN202U

**Mark No. Description** **Part No.**

**Mark No. Description** **Part No.**

**MISCELLANEOUS**

H 7551-7554 FUSE CLIP AKR1004  
 CN 7551 5P TOP POST B5B-EH  
 CN 7552,7553 PLUG(7P) KM200NA7  
 CN 7554 PLUG(4P) KM200NA4  
 CN 7661 DUMMY CODE AKN7151  
  
 CN 7663 CONNECTOR 9604S-15C  
 CN 7901 31P CONNECTOR VKN1262  
 CN 7903 39P CONNECTOR VKN2097  
 7551 SCREW BBZ30P080FCC  
 7552 HEAT SINK ANH7251  
  
 JH 7901,7903,7904 PCB BINDER AEF7008

**RESISTORS**

R 7956 RS1/8SQ105J  
 Other Resistors RS1/10SR###J

**CAPACITORS**

C 7951,7956 CCSRCH100D50

**Y A-FILTER BRIDGE\_S ASSY**

**MISCELLANEOUS**

CN 7151,7152 14P PLUG AKM7170  
 CN 7153,7154 B TO B CONNECTOR AKM7176

**RESISTORS**

All Resistors RS1/10SR###J

**Z D-AUDIO BRIDGE ASSY**

**MISCELLANEOUS**

CN 3771,3772 B TO B 23PIN PLUG AKM7107

**AA D-FILTER BRIDGE\_S ASSY**

**MISCELLANEOUS**

CN 7181,7183 B TO B 23PIN PLUG AKM7107  
 CN 7182,7184 B TO B 13PIN PLUG AKM7102

**AB PRE BRIDGE\_S ASSY**

**MISCELLANEOUS**

CN 6953,6954 20P PLUG AKM7171

**AC FAN CONNECT ASSY**

**MISCELLANEOUS**

CN 3651,3652 PLUG(3P) KM200NA3  
 JH 3651 PCB BINDER AEF7008

**AD BT\_S ASSY**

**MISCELLANEOUS**

JA 8801 CONNECTOR CKS5712  
 KN 8801 SCREW PLATE VNE1948  
 CN 8801 CONNECTOR 9604S-09C

**RESISTORS**

All Resistors RS1/16SS###J

**CAPACITORS**

C 8808 CCSSCH100D50  
 C 8809 CEAK100M50

**RESISTORS**

R 7171 RS1/8SQ0R0J  
 R 7552 RD1/4MUF4R7J  
 R 7555 RD1/4MUF391J  
 R 7558 RS1/8SQ225J  
 R 7903,7907 RS1/8SQ105J  
  
 Other Resistors RS1/10SR###J

**CAPACITORS**

C 7554 CEAK471M35  
 C 7555 CEAK100M50  
 C 7557 CEAK102M35  
 C 7559,7560 CFTLA104J50  
 C 7561 CEANP101M35  
  
 C 7563 CEAK221M35  
 C 7566 CEAK101M35  
 C 7568,7582,7928 CCSRCH101J50  
 C 7569 CKSRYB103K50  
 C 7571 CEAK470M50  
  
 C 7572 CEAK101M16  
 C 7573 CEAK472M16  
 C 7574 CEAK222M16  
 C 7918,7920,7921,7924 CCSRCH100D50  
 C 7927 CKSRYB105K16  
  
 C 7933,7939 CCSRCH100D50

**W VREG CHILD\_S ASSY**

**SEMICONDUCTORS**

IC 8701 NJM78M05FA  
 IC 8702 NJM79M05FA  
 D 8702,8703 1SS355

**MISCELLANEOUS**

JP 8701 HOUSING ADX7783

**CAPACITORS**

C 8701,8702 CKSRYB103K50  
 C 8703,8704 CEAK101M16

**X CONNECT\_S ASSY**

**MISCELLANEOUS**

CN 7952 B TO B CONNECTOR AKM7222  
 CN 7954 B TO B CONNECTOR AKN7152

Mark No. Description \_\_\_\_\_ Part No. \_\_\_\_\_

## **AE** MIC HP GUARD ASSY

### MISCELLANEOUS

JH 5921,5924 PCB BINDER

AEF7008

A

## **AF** BIND DM CABLE\_S ASSY

### MISCELLANEOUS

JH 3551 PCB BINDER

AEF7008

B

## **AG** P WIRE GUARD\_S ASSY

### MISCELLANEOUS

JH 3560 PCB BINDER

AEF7008

## **AH** FFC GUARD\_S ASSY

FFC GUARD\_S ASSY has no service parts.

C

## **AI** BINDFAN CABLE\_S ASSY

BINDFAN CABLE\_S ASSY has no service parts.

## **AJ** TRANS VREG STYL\_S ASSY

TRANS VREG STYL\_S ASSY has no service parts.

D

## **AK** VREG GUARD ASSY

VREG GUARD ASSY has no service parts.

## **AL** PANEL GUARD ASSY

PANEL GUARD ASSY has no service parts.

E

## **AM** IR EDGE GUARD\_S ASSY

IR EDGE GUARD\_S ASSY has no service parts.

F