

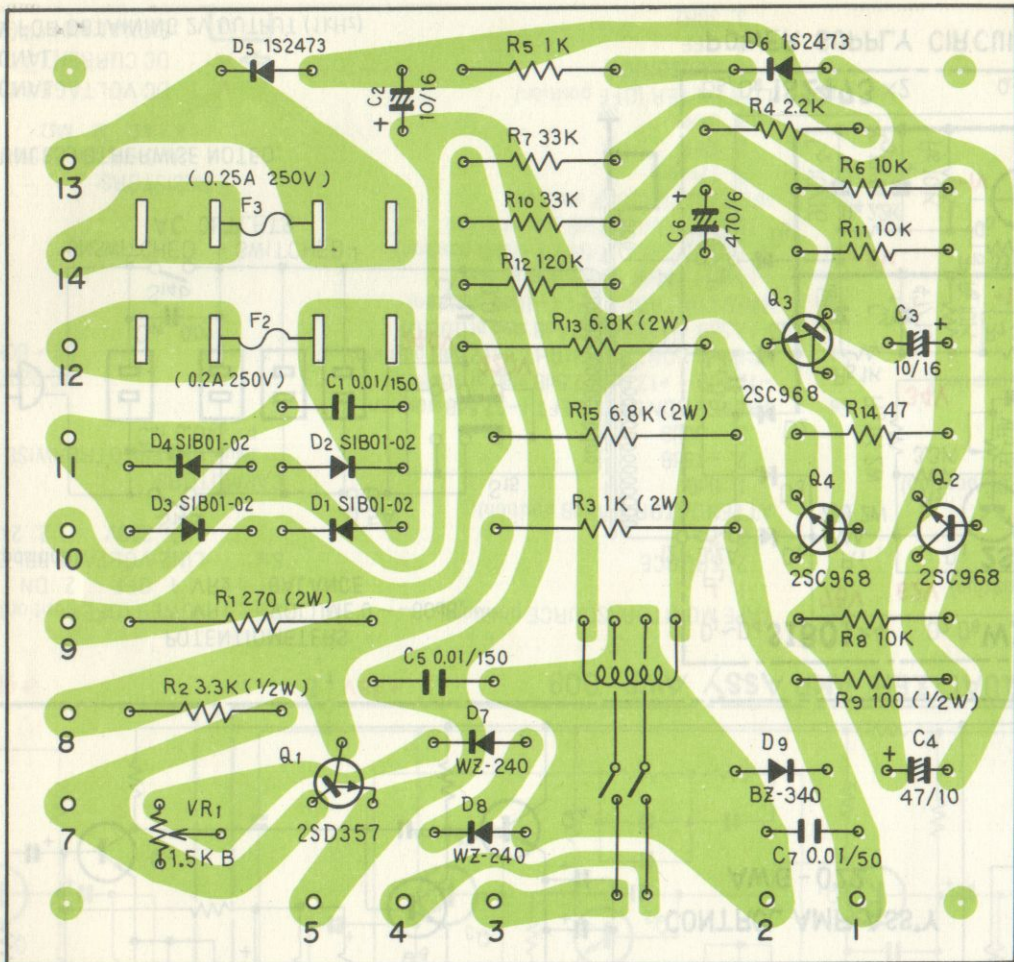
STEREO PREAMPLIFIER

SC-3000

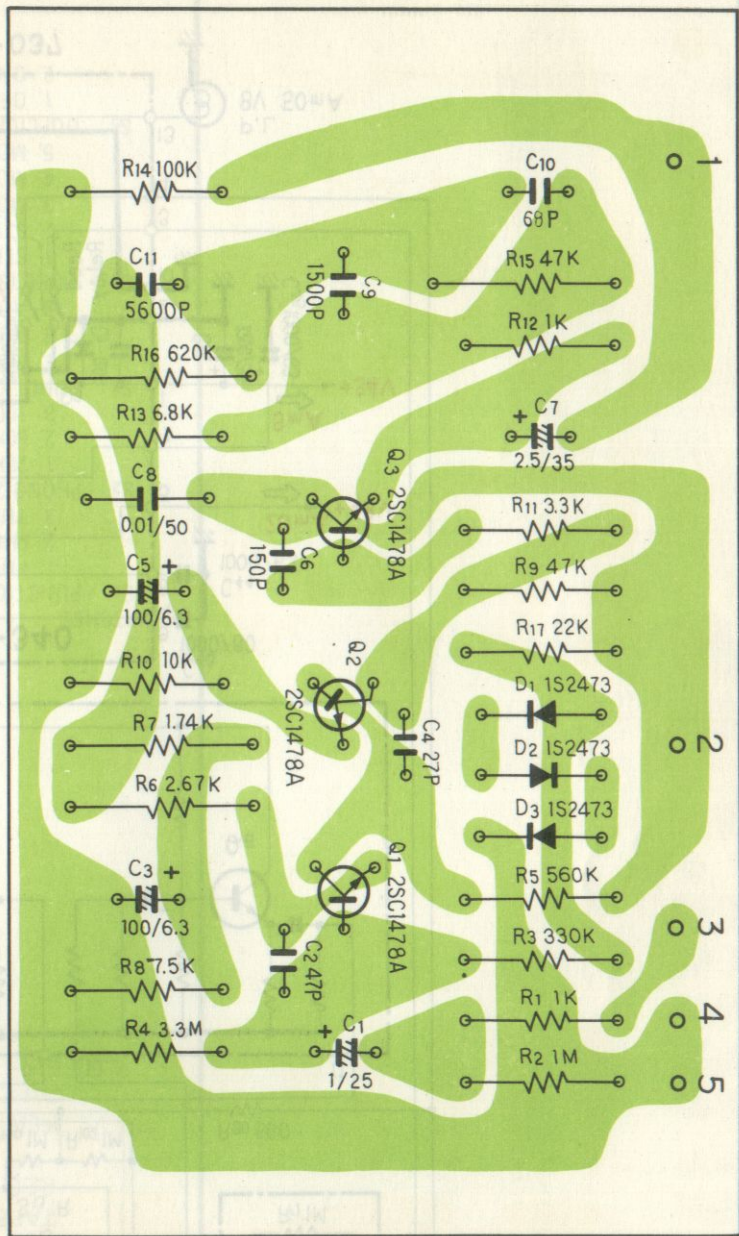
HVW

6

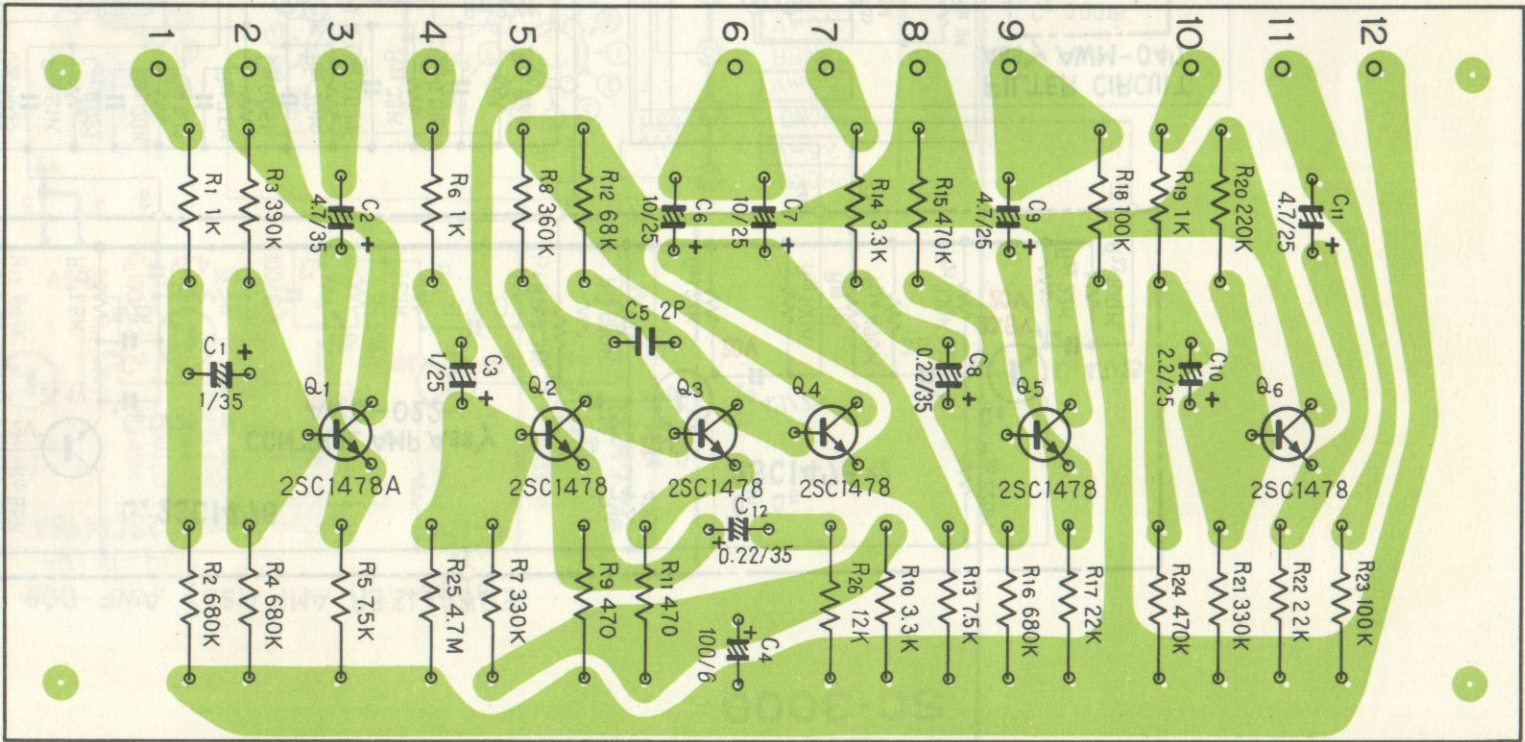
Power supply ass'y AWR-037



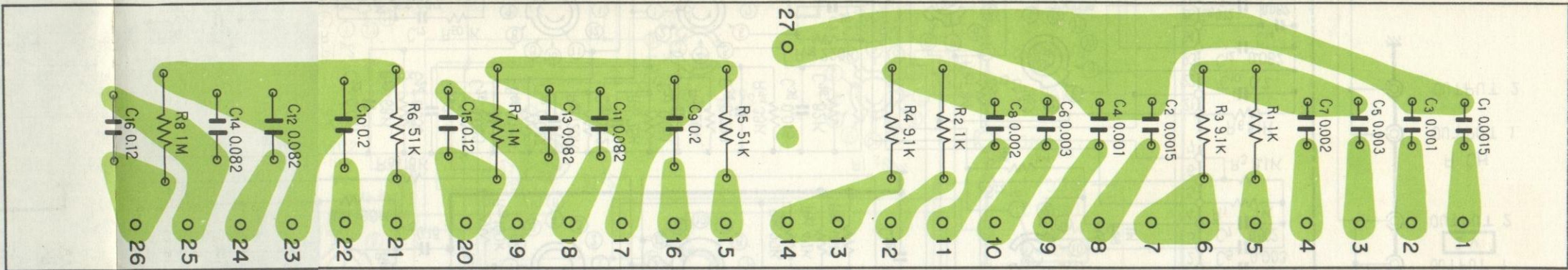
Equalizer amp ass'y AWF-009



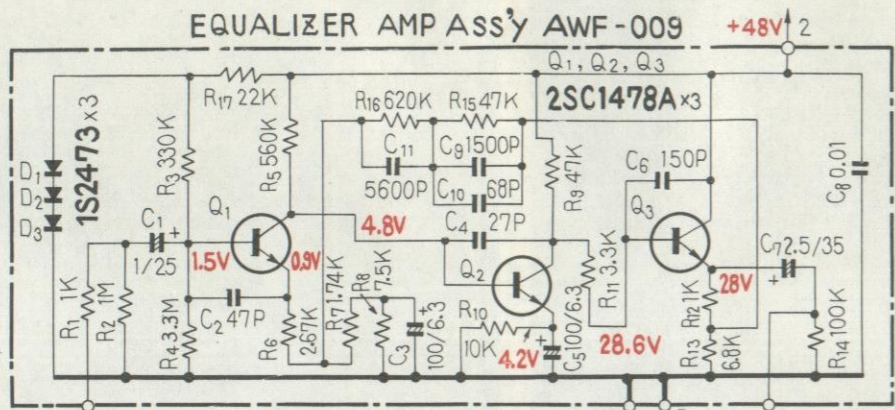
Control amp ass'y AWG-022



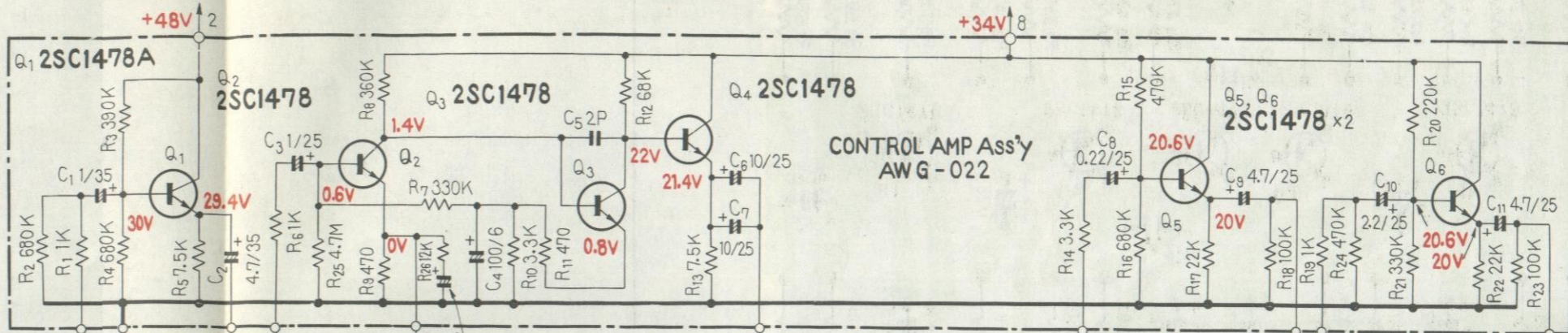
Filter amp ass'y AWM-047



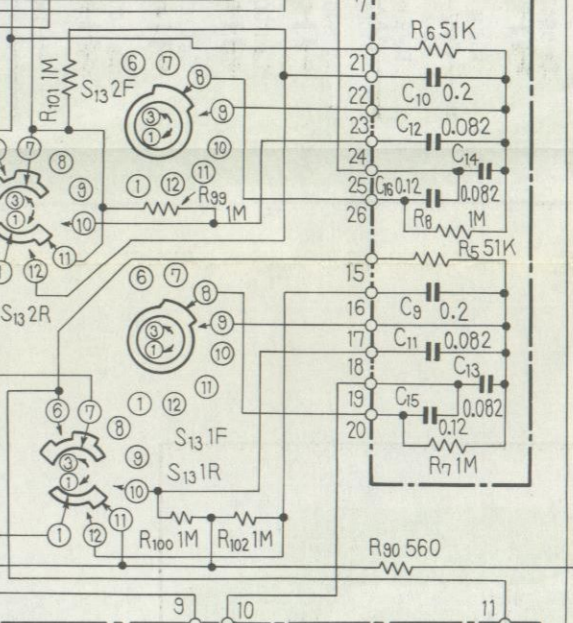
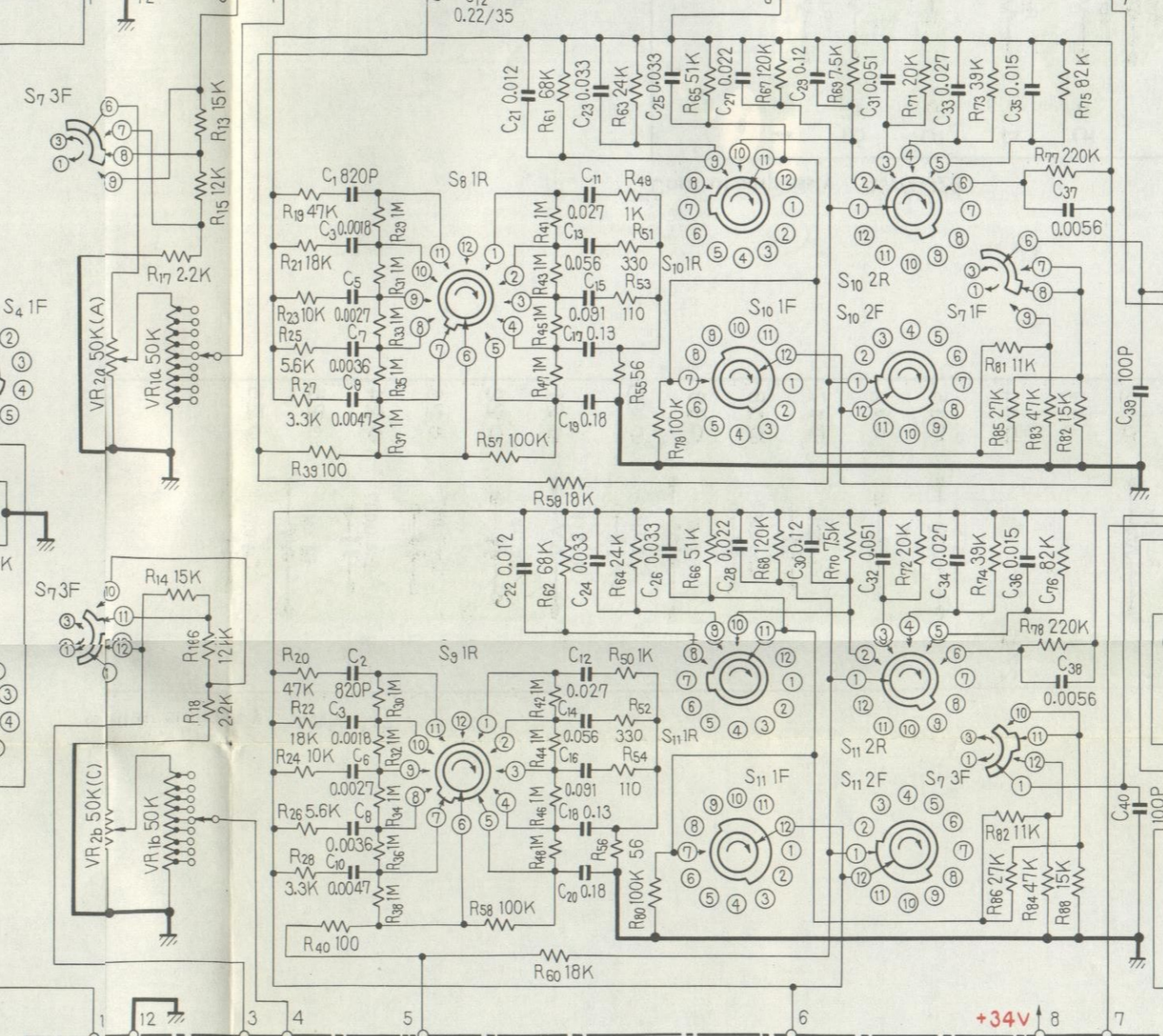
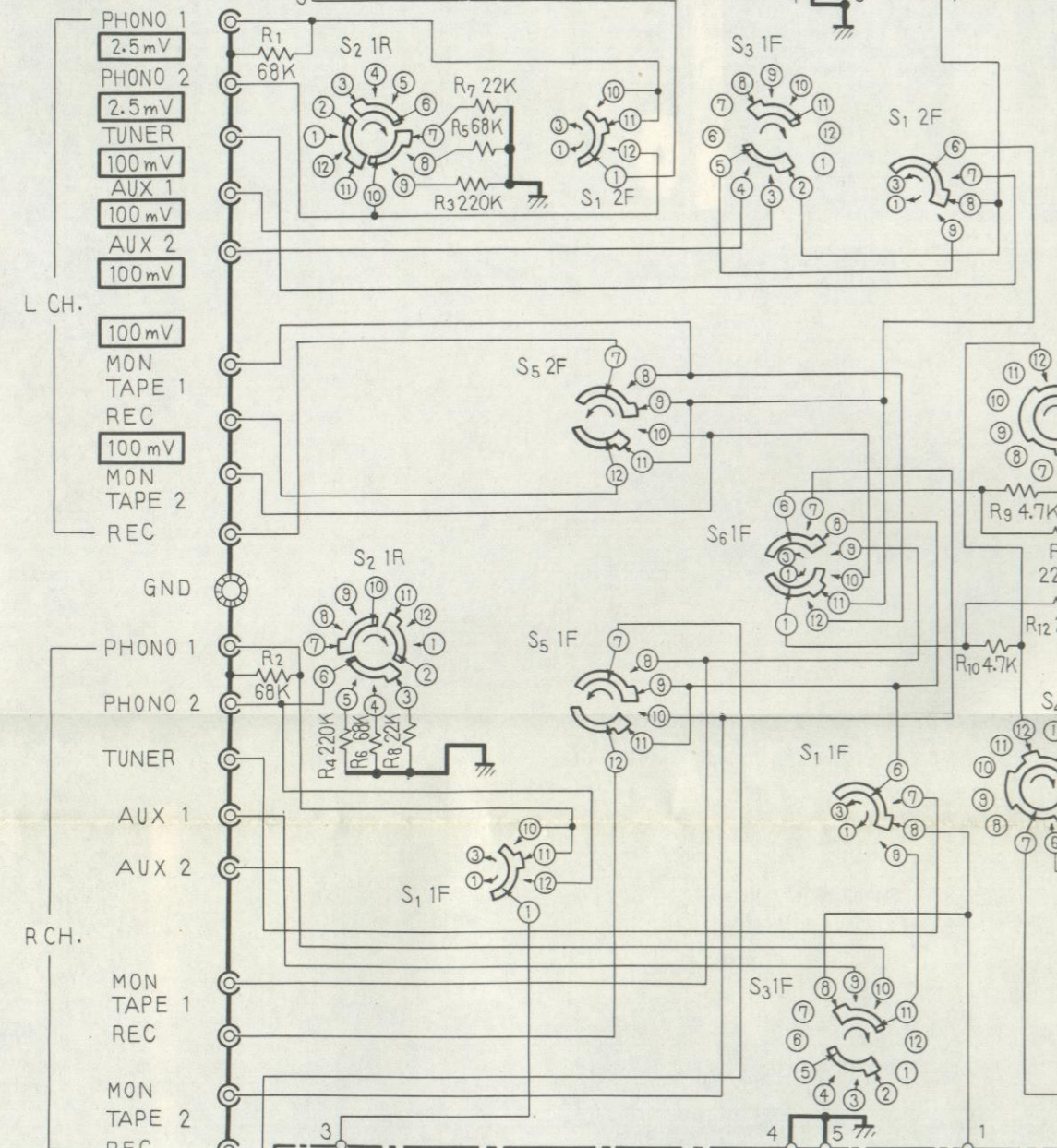
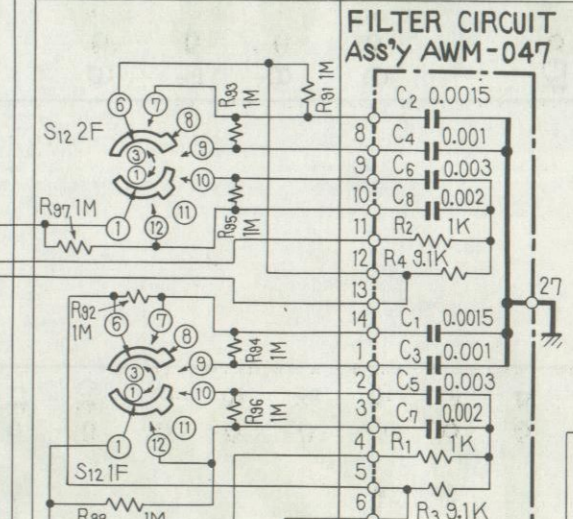
EQUALIZER AMP ASS'Y AWF-009



CONTROL AMP ASS'Y AWG-022



FILTER CIRCUIT ASS'Y AWM-047



EQUALIZER AMP ASS'Y AWF-009

- SWITCHES**
- S1: FUNCTION-LEVER (PHONO 1 position)
 - FUNCTION-ROTARY
 - PHONO 1
 - TUNER
 - S2: PHONO 2 INPUT IMPEDANCE (20K position)
 - 20K
 - 50K
 - 100K
 - S3: FUNCTION-ROTARY (PHONO 2 position)
 - PHONO 2
 - AUX 1
 - AUX 2
 - S4: MODE (STEREO REV. position)
 - STEREO REV.
 - STEREO NORM.
 - MONO L+R
 - MONO L
 - MONO R
 - S5: DUPLICATE (OFF position)
 - OFF
 - ON
- S6: TAPE MONITOR (SOURCE position)**
- 1
 - SOURCE
 - 2
- S7: ATTENUATOR (-15dB position)**
- 0dB
 - 15dB
 - 30dB
- S8: TREBLE CONTROL LEFT (-12.5dB position)**
-12.5dB ~ +12.5dB (2.5dB step at 10kHz)
- S9: TREBLE CONTROL RIGHT (-12.5dB position)**
-12.5dB ~ +12.5dB (2.5dB step at 10kHz)
- S10: BASS CONTROL LEFT (-10dB position)**
-10dB ~ +15dB (2.5dB step at 50Hz)
- S11: BASS CONTROL RIGHT (-10dB position)**
-10dB ~ +15dB (2.5dB step at 50Hz)
- S12: HIGH FILTER (OFF position)**
- 12kHz
 - OFF
 - 8kHz
- S13: LOW FILTER (OFF position)**
- SUBSONIC
 - OFF
 - 30Hz

- S14: POWER (OFF position)**
- OFF
 - ON
- S15: LINE VOLTAGE SELECTOR (220V position)**
- 220V
 - 240V

- CAPACITORS**
- IN μF UNLESS OTHERWISE NOTED.
- P: pF

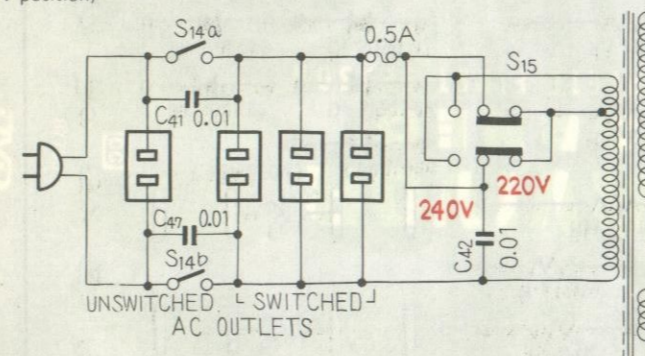
AC 220/240V
50 ~ 60Hz

- RESISTORS**
- IN OHM, kW, ±5% TOLERANCE UNLESS OTHERWISE NOTED.
- K: kΩ N: MΩ

- V: DC VOLTAGE AT NO INPUT SIGNAL.
- A: DC CURRENT AT NO INPUT SIGNAL.
- V: SIGNAL VOLTAGE NECESSARY FOR OBTAINING 2V OUTPUT (1kHz)

POTENTIOMETERS

- VR1: VOLUME 0 ~ -60dB, ∞
- VR2: BALANCE



POWER SUPPLY CIRCUIT ASS'Y AWR-037

