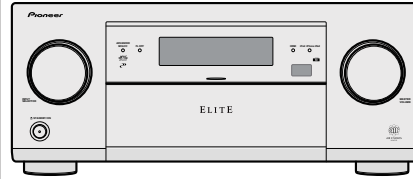


# Pioneer

## Service Manual



SC-63

ORDER NO.  
**RRV4324**

AV RECEIVER

# SC-63

# SC-61

# SC-1227-K

# SC-1222-K

THIS MANUAL IS APPLICABLE TO THE FOLLOWING MODEL(S) AND TYPE(S).

Model	Type	Power Requirement	Remarks
SC-63	UXJCB	AC 120V	
SC-61	UXJCB	AC 120V	
SC-1227-K	CUXJ	AC 120V	
SC-1222-K	UXJCB	AC 120V	



**PIONEER CORPORATION** 1-1, Shin-ogura, Saiwai-ku, Kawasaki-shi, Kanagawa 212-0031, Japan

**PIONEER ELECTRONICS (USA) INC.** P.O. Box 1760, Long Beach, CA 90801-1760, U.S.A.

**PIONEER EUROPE NV** Haven 1087, Keetberglaan 1, 9120 Melsele, Belgium

**PIONEER ELECTRONICS ASIACENTRE PTE. LTD.** 253 Alexandra Road, #04-01, Singapore 159936

©PIONEER CORPORATION 2012

K-FZV JUNE 2012 Printed in Japan

# SAFETY INFORMATION



This service manual is intended for qualified service technicians ; it is not meant for the casual do-it-yourselfer. Qualified technicians have the necessary test equipment and tools, and have been trained to properly and safely repair complex products such as those covered by this manual.

Improperly performed repairs can adversely affect the safety and reliability of the product and may void the warranty. If you are not qualified to perform the repair of this product properly and safely, you should not risk trying to do so and refer the repair to a qualified service technician.

## WARNING

This product contains lead in solder and certain electrical parts contain chemicals which are known to the state of California to cause cancer, birth defects or other reproductive harm.

Health & Safety Code Section 25249.6 - Proposition 65

## NOTICE

(FOR CANADIAN MODEL ONLY)

Fuse symbols (fast operating fuse) and/or (slow operating fuse) on PCB indicate that replacement parts must be of identical designation.

## REMARQUE

(POUR MODÈLE CANADIEN SEULEMENT)

Les symboles de fusible (fusible de type rapide) et/ou (fusible de type lent) sur CCI indiquent que les pièces de remplacement doivent avoir la même désignation.

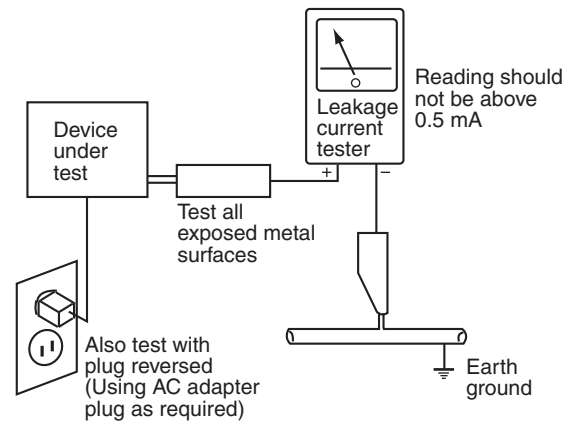
(FOR USA MODEL ONLY)

## 1. SAFETY PRECAUTIONS

The following check should be performed for the continued protection of the customer and service technician.

### LEAKAGE CURRENT CHECK

Measure leakage current to a known earth ground (water pipe, conduit, etc.) by connecting a leakage current tester such as Simpson Model 229-2 or equivalent between the earth ground and all exposed metal parts of the appliance (input/output terminals, screwheads, metal overlays, control shaft, etc.). Plug the AC line cord of the appliance directly into a 120V AC 60 Hz outlet and turn the AC power switch on. Any current measured must not exceed 0.5 mA.



AC Leakage Test

**ANY MEASUREMENTS NOT WITHIN THE LIMITS OUTLINED ABOVE ARE INDICATIVE OF A POTENTIAL SHOCK HAZARD AND MUST BE CORRECTED BEFORE RETURNING THE APPLIANCE TO THE CUSTOMER.**

## 2. PRODUCT SAFETY NOTICE

Many electrical and mechanical parts in the appliance have special safety related characteristics. These are often not evident from visual inspection nor the protection afforded by them necessarily can be obtained by using replacement components rated for voltage, wattage, etc. Replacement parts which have these special safety characteristics are identified in this Service Manual.

Electrical components having such features are identified by marking with a on the schematics and on the parts list in this Service Manual.

The use of a substitute replacement component which does not have the same safety characteristics as the PIONEER recommended replacement one, shown in the parts list in this Service Manual, may create shock, fire, or other hazards.

Product Safety is continuously under review and new instructions are issued from time to time. For the latest information, always consult the current PIONEER Service Manual. A subscription to, or additional copies of, PIONEER Service Manual may be obtained at a nominal charge from PIONEER.



# CONTENTS

SAFETY INFORMATION.....	2	
1. SERVICE PRECAUTIONS.....	5	
1.1 NOTES ON SOLDERING.....	5	A
1.2 NOTES ON REPLACING.....	5	
1.3 CAUTION.....	5	
1.4 NOTES ON ASSEMBLING.....	6	
2. SPECIFICATIONS.....	7	
2.1 SC-63/SC-61 SPECIFICATIONS.....	7	
2.2 SC-1227-K/SC-1222-K SPECIFICATIONS.....	9	
3. BASIC ITEMS FOR SERVICE.....	11	
3.1 CHECK POINTS AFTER SERVICING.....	11	
3.2 PCB LOCATIONS.....	12	
3.3 JIGS LIST.....	14	
4. BLOCK DIAGRAM.....	16	
4.1 OVERALL WIRING DIAGRAM.....	16	B
4.2 BLOCK DIAGRAM FOR AUDIO BLOCK.....	18	
4.3 BLOCK DIAGRAM FOR DIGITAL MAIN VIDEO BLOCK.....	20	
4.4 BLOCK DIAGRAM FOR DIGITAL MAIN AUDIO BLOCK.....	22	
4.5 BLOCK DIAGRAM FOR COMPOSITE VIDEO BLOCK.....	24	
4.6 BLOCK DIAGRAM FOR COMPONENT VIDEO BLOCK.....	25	
4.7 BLOCK DIAGRAM FOR POWER BLOCK (1).....	26	
4.8 BLOCK DIAGRAM FOR POWER BLOCK (2).....	28	
5. DIAGNOSIS.....	30	
5.1 DIAGNOSIS FLOWCHART.....	30	
5.2 CIRCUIT DESCRIPTION.....	38	
6. SERVICE MODE.....	46	C
6.1 TEST MODE.....	46	
7. DISASSEMBLY.....	48	
8. EACH SETTING AND ADJUSTMENT.....	66	
8.1 ADJUSTMENT REQUIRED WHEN THE UNIT IS REPAIRED OR REPLACED.....	66	
8.2 HOW TO SAVE AND LOAD THE SETTING USING BACKUP FUNCTION WITH USB MEMORY.....	67	
8.3 REGION WRITING.....	68	
8.4 HOW TO UPDATE FIRMWARE.....	69	
9. EXPLODED VIEWS AND PARTS LIST.....	72	
9.1 PACKING SECTION.....	72	
9.2 EXTERIOR SECTION.....	74	
9.3 REAR SECTION.....	76	
9.4 CHASSIS SECTION.....	78	D
9.5 FRONT SECTION.....	80	
10. SCHEMATIC DIAGRAM.....	82	
10.1 AUDIO ASSY (1/3) (GUIDE PAGE).....	82	
10.2 AUDIO ASSY (2/3).....	88	
10.3 AUDIO ASSY (3/3).....	90	
10.4 FILTER ASSY.....	92	
10.5 FRONT HDMI USB ASSY.....	94	
10.6 USB RECT ASSY.....	96	
10.7 DIGITAL MAIN ASSY (1/10).....	98	
10.8 DIGITAL MAIN ASSY (2/10).....	100	
10.9 DIGITAL MAIN ASSY (3/10).....	102	
10.10 DIGITAL MAIN ASSY (4/10).....	104	E
10.11 DIGITAL MAIN ASSY (5/10).....	106	
10.12 DIGITAL MAIN ASSY (6/10).....	108	
10.13 DIGITAL MAIN ASSY (7/10).....	110	
10.14 DIGITAL MAIN ASSY (8/10).....	112	
10.15 DIGITAL MAIN ASSY (9/10).....	114	
10.16 DIGITAL MAIN ASSY (10/10).....	116	
10.17 INTEFACE ASSY.....	118	
10.18 COMPONENT ASSY (1/2).....	120	
10.19 COMPONENT ASSY (2/2).....	122	
10.20 COMPOSITE ASSY.....	124	
10.21 MIC HP ASSY.....	126	
10.22 DISPLAY ASSY (1/2).....	128	F
10.23 DISPLAY ASSY (2/2).....	130	
10.24 VOL ASSY and POWER SW ASSY.....	132	
10.25 ENCODER ASSY.....	133	

- 10.26 IR BUFFER ASSY (1/2) ..... 134
- 10.27 IR BUFFER ASSY (2/2) ..... 136
- 10.28 BUFFER GND ASSY and IR INTERFACE ASSY ..... 138
- 10.29 D-AMP\_S ASSY (1/10) ..... 140
- A 10.30 D-AMP\_S ASSY (2/10) ..... 142
- 10.31 D-AMP\_S ASSY (3/10) ..... 144
- 10.32 D-AMP\_S ASSY (4/10) ..... 146
- 10.33 D-AMP\_S ASSY (5/10) ..... 148
- 10.34 D-AMP\_S ASSY (6/10) ..... 150
- 10.35 D-AMP\_S ASSY (7/10) ..... 152
- 10.36 D-AMP\_S ASSY (8/10) ..... 154
- 10.37 D-AMP\_S ASSY (9/10) ..... 156
- 10.38 D-AMP\_S ASSY (10/10) ..... 158
- 10.39 PRIMARY ASSY ..... 160
- 10.40 A-REG ASSY ..... 162
- B 10.41 IR REG ASSY (1/2) ..... 164
- 10.42 IR REG ASSY (2/2) ..... 166
- 10.43 V-REG ASSY (1/3) ..... 167
- 10.44 V-REG ASSY (2/3) ..... 168
- 10.45 V-REG ASSY (3/3) ..... 170
- 10.46 VREG CHILD ASSY ..... 171
- 10.47 CONNECT ASSY ..... 172
- 10.48 A-DAC BRIDGE ASSY ..... 173
- 10.49 D-AUDIO BRIDGE ASSY ..... 174
- 10.50 D-FILTER BRIDGE ASSY ..... 175
- 10.51 PRE BRIDGE ASSY ..... 176
- 10.52 FAN CONNECT\_S ASSY and BT ASSY ..... 177
- C 10.53 MIC HP GUARD, BIND DM CABLE, P WIRE GUARD, FFC GUARD, BIND FAN CABLE and VREG GUARD ASSYS... 178
- 10.54 TRANS VREG STYL, IR EDGE GUARD and PANEL GUARD ASSYS ..... 179
- 11. PCB CONNECTION DIAGRAM ..... 180
- 11.1 AUDIO ASSY ..... 180
- 11.2 FILTER ASSY ..... 184
- 11.3 FRONT HDMI USB ASSY ..... 188
- 11.4 USB RECT ASSY ..... 189
- 11.5 DIGITAL MAIN ASSY ..... 190
- 11.6 INTERFACE ASSY ..... 194
- 11.7 COMPONENT ASSY ..... 198
- 11.8 COMPOSITE ASSY ..... 202
- 11.9 MIC HP ASSY ..... 204
- D 11.10 DISPLAY ASSY ..... 206
- 11.11 VOL, POWER SW and ENCODER ASSYS ..... 210
- 11.12 IR BUFFER ASSY ..... 212
- 11.13 BUFFER GND ASSY and IR INTERFACE ASSY ..... 216
- 11.14 D-AMP\_S ASSY ..... 218
- 11.15 PRIMARY ASSY ..... 222
- 11.16 A-REG ASSY ..... 226
- 11.17 IR REG ASSY ..... 228
- 11.18 V-REG ASSY ..... 232
- 11.19 VREG CHILD ASSY and CONNECT ASSY ..... 236
- 11.20 A-DAC BRIDGE, D-AUDIO BRIDGE, D-FILTER BRIDGE and PRE BRIDGE ASSYS ..... 238
- E 11.21 FAN CONNECT\_S, BT and MIC HP GUARD ASSYS ..... 242
- 11.22 BIND DM CABLE ASSY and P WIRE GUARD ASSY ..... 246
- 11.23 FFC GUARD, BIND FAN CABLE, VREG GUARD, TRANS VREG STYL and IR EDGE GUARD ASSYS..... 248
- 12. PCB PARTS LIST ..... 250

# 1. SERVICE PRECAUTIONS

## 1.1 NOTES ON SOLDERING

- For environmental protection, lead-free solder is used on the printed circuit boards mounted in this unit.  
Be sure to use lead-free solder and a soldering iron that can meet specifications for use with lead-free solders for repairs accompanied by reworking of soldering.
- Compared with conventional eutectic solders, lead-free solders have higher melting points, by approximately 40 °C.  
Therefore, for lead-free soldering, the tip temperature of a soldering iron must be set to around 373 °C in general, although the temperature depends on the heat capacity of the PC board on which reworking is required and the weight of the tip of the soldering iron.

Do NOT use a soldering iron whose tip temperature cannot be controlled.

Compared with eutectic solders, lead-free solders have higher bond strengths but slower wetting times and higher melting temperatures (hard to melt/easy to harden).

The following lead-free solders are available as service parts:

- Parts numbers of lead-free solder:
  - GYP1006 1.0 in dia.
  - GYP1007 0.6 in dia.
  - GYP1008 0.3 in dia.

## 1.2 NOTES ON REPLACING

The part listed below is difficult to replace as a discrete component part.

When the part listed in the table is defective, replace whole Assy.

ASSY NAME	PCB ASSY Part No.	Parts that is Difficult to Replace			
		Ref No.	FUNCTION	Part No.	Remarks
DIGITAL MAIN ASSY	AWX1200	IC903	HDMI RECEIVER	-----	IC with heat-pad
		IC1204	DIGITAL VIDEO FORMAT CONVERTER	-----	BGA
		IC1212	DDR2-SDRAM	-----	BGA
		IC1602	HDMI TRANSMITTER	-----	IC with heat-pad
		IC9002	1st DSP	-----	IC with heat-pad
		IC9203	LAN PHY	-----	IC with heat-pad
		IC9204	MEDIA PROCESSOR	-----	BGA
		IC9520	REGULATOR	-----	IC with heat-pad
		IC9521	REGULATOR	-----	IC with heat-pad
		IC9522	REGULATOR	-----	IC with heat-pad
D-AMP_S ASSY	AWX1192	Q4101,4102 Q4201,4202 Q4301,4302 Q4401,4402 Q4501,4502 Q4601,4602 Q4701,4702 Q4801,4802 Q4901,4902	FET	-----	Land is under parts

## 1.3 CAUTION

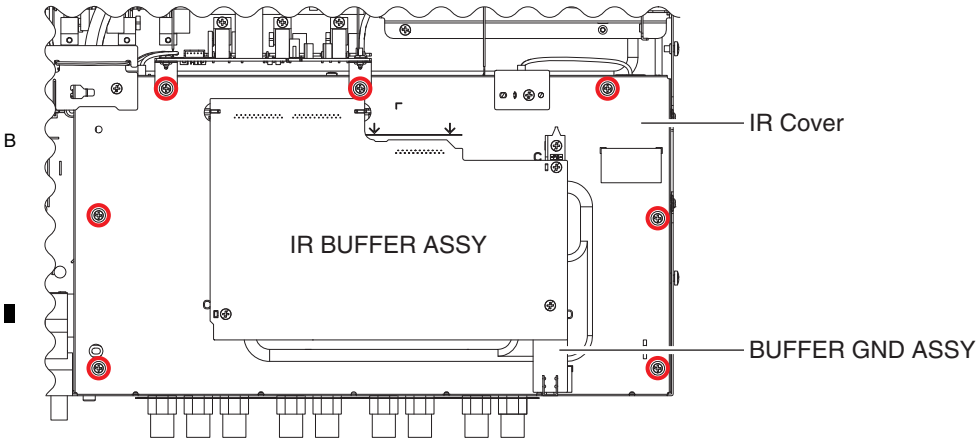
- Discharging**  
Before starting the diagnosis, wait for three minutes until the electricity of the unit is discharged.
- Ground Points**  
Please refer to "Ground Points".

# 1.4 NOTES ON ASSEMBLING

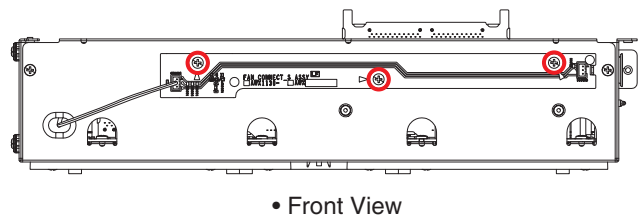
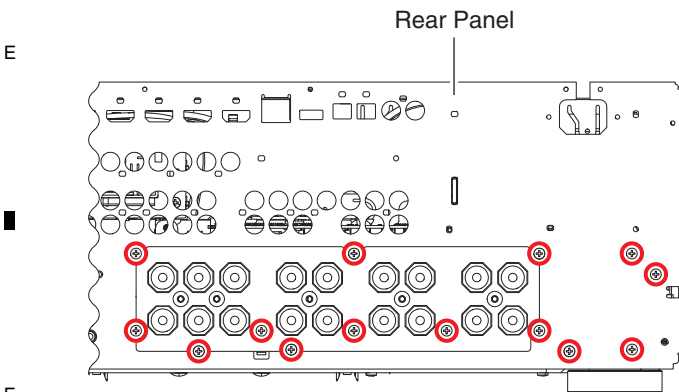
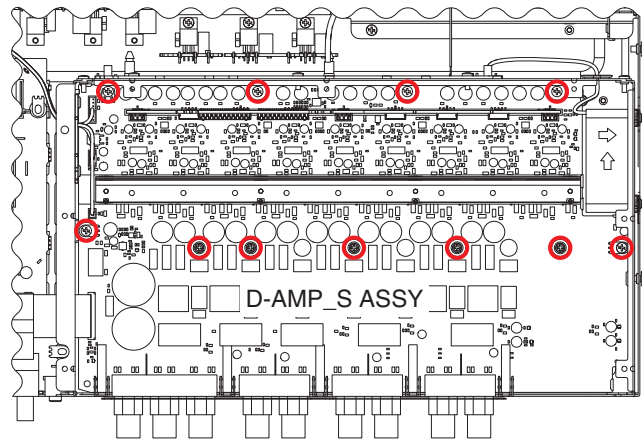
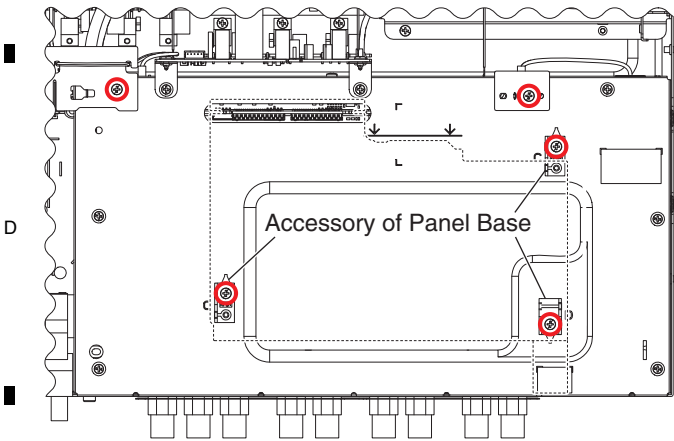
**Note :** The right and left positions for the attachment positioning of digital amplifier block are gradual, however, adjust the front and back positions correctly. For the positioning procedure, refer to "7. DISASSEMBLY".

When assembling the digital amplifier block, please note the following points of screws to prevent from short-circuit.

The following 7 points of screws must always be used AMZ30P060FTC



**Points to be watched for swarf**



If a screw at any of these points needs to be removed for service, be sure to check that the swarf is not on the screw before refastening.

5 6 7 8

# 2. SPECIFICATIONS

## 2.1 SC-63/SC-61 SPECIFICATIONS

### Amplifier section

**Continuous average power output of 125 watts\* per channel, min., at 8 ohms, 1 kHz with no more than 0.08%\*\* total harmonic distortion.**

Multi channel simultaneous power output (1 kHz, 1 %, 8 Ω)

7 ch total..... 630 W

Continuous Power Output (1 kHz, 8 Ω, 0.08 %)

Front ..... 125 W + 125 W

Center ..... 125 W

Surround ..... 125 W + 125 W

Surround back ..... 125 W + 125 W

Continuous Power Output (1 kHz, 4 Ω, 1.0 %)

Front ..... 200 W + 200 W

Center ..... 200 W

Surround ..... 200 W + 200 W

Surround back ..... 200 W + 200 W

Total harmonic distortion ..... 0.04 % (1 kHz, 110 W + 110 W, 8Ω)

Guaranteed speaker impedance ..... 4 Ω to 16Ω

*\* Measured pursuant to the Federal Trade Commission's Trade Regulation rule on Power Output Claims for Amplifiers*

*\*\* Measured by Audio Spectrum Analyzer*

### Audio Section

Input (Sensitivity/Impedance)

LINE ..... 375 mV/47 kΩ

Output (Level/Impedance)

REC ..... 375 mV/2.2 kΩ

Signal-to-Noise Ratio (IHF, short circuited, A network)

LINE ..... 101 dB

### Tuner Section

Frequency Range (FM) ..... 87.5 MHz to 108 MHz

Antenna Input (FM) ..... 75 Ω unbalanced

Frequency Range (AM) ..... 530 kHz to 1700 kHz

Antenna (AM) ..... Loop antenna (balanced)

### Video Section

Signal level

Composite Video ..... 1 Vp-p (75 Ω)

Component Video ..... Y: 1.0 Vp-p (75 Ω), PB/PR: 0.7 Vp-p (75 Ω)

Corresponding maximum resolution

Component Video ..... 1080p (1125p) (Video convert off)

### Digital In/Out Section

HDMI terminal ..... 19-pin (Not DVI)

HDMI output type ..... 5 V, 55 mA

USB terminal ..... USB2.0 High Speed (Type A) 5 V, 2.1 A

iPod terminal ..... USB, and Video (Composite)

ADAPTER PORT terminal ..... 5 V, 100 mA

WIRELESS LAN ADAPTER terminal ..... 5 V, 600 mA

SC-63

5 6 7 8

7

**Integrated Control Section**

Control (IR) terminal .....	ø 3.5 Mini-jack (MONO)
IR signal .....	High Active (High Level: 2.0 V)
12 V Trigger terminal .....	ø 3.5 Mini-jack (MONO)
12 V Trigger output type .....	12 V, Total 150 mA
RS-232C cable type .....	9-pin, cross type, female-female
EXTENSION terminal .....	5 V, 150 mA

**Network Section**

LAN terminal .....	10 BASE-T/100 BASE-TX
--------------------	-----------------------

**Miscellaneous**

Power requirements .....	AC 120 V, 60 Hz
--------------------------	-----------------

Power consumption .....	290 W
-------------------------	-------

In standby .....	0.1 W (HDMI Setup – Control : OFF)
------------------	------------------------------------

	0.3 W (HDMI Setup – Control : ON)
--	-----------------------------------

Dimensions .....	435 mm (W) x 185 mm (H) x 441 mm (D) (17 1/8 in. (W) x 7 1/4 in. (H) x 17 3/8 in. (D))
------------------	---

Weight (without package)

SC-63 .....	14.6 kg (32.2 lb)
-------------	-------------------

SC-61 .....	14.4 kg (31.7 lb)
-------------	-------------------

**Number of Furnished Parts**

MCACC Setup microphone .....	1
------------------------------	---

Remote control unit .....	1
---------------------------	---

AAA size IEC R03 dry cell batteries .....	2
---	---

iPod cable .....	1
------------------	---

AM loop antenna .....	1
-----------------------	---

FM wire antenna .....	1
-----------------------	---

Power cord

CD-ROM (AVNavigator)

Quick start guide

Safety Brochure

Warranty sheet



**Note**

- Specifications and the design are subject to possible modifications without notice, due to improvements.
- *This product includes FontAvenue® fonts licensed by NEC Corporation. FontAvenue is a registered trademark of NEC Corporation.*

5 6 7 8

## 2.2 SC-1227-K/SC-1222-K SPECIFICATIONS

### Amplifier section

**Continuous average power output of 120 watts\* per channel, min., at 8 ohms, 1 kHz with no more than 0.08 %\*\* total harmonic distortion.**

Multi channel simultaneous power output (1 kHz, 1 %, 8 Ω )  
 7 ch total..... 600 W

Continuous Power Output (1 kHz, 8 Ω, 0.08 %)  
 Front ..... 120 W + 120 W  
 Center ..... 120 W  
 Surround ..... 120 W + 120 W  
 Surround back ..... 120 W + 120 W

Continuous Power Output (1 kHz, 4 Ω, 1.0 %)  
 Front ..... 190 W + 190 W  
 Center ..... 190 W  
 Surround ..... 190 W + 190 W  
 Surround back ..... 190 W + 190 W

Total harmonic distortion ..... 0.04 % (1 kHz, 110 W + 110 W, 8 Ω )  
 Guaranteed speaker impedance ..... 4 Ω to 16 Ω

*\* Measured pursuant to the Federal Trade Commission's Trade Regulation rule on Power Output Claims for Amplifiers*

*\*\* Measured by Audio Spectrum Analyzer*

### Audio Section

Input (Sensitivity/Impedance)  
 LINE ..... 370 mV/47 kΩ

Output (Level/Impedance)  
 REC ..... 370 mV/2.2 kΩ

Signal-to-Noise Ratio (IHF, short circuited, A network)  
 LINE ..... 101 dB

### Tuner Section

Frequency Range (FM) ..... 87.5 MHz to 108 MHz  
 Antenna Input (FM) ..... 75 Ω unbalanced  
 Frequency Range (AM) ..... 530 kHz to 1700 kHz  
 Antenna (AM) ..... Loop antenna (balanced)

### Video Section

Signal level  
 Composite Video ..... 1 Vp-p (75 Ω )  
 Component Video ..... Y: 1.0 Vp-p (75 Ω ), PB/PR: 0.7 Vp-p (75 Ω )

Corresponding maximum resolution  
 Component Video ..... 1080p (1125p) (Video convert off)

### Digital In/Out Section

HDMI terminal ..... 19-pin (Not DVI)  
 HDMI output type ..... 5 V, 55 mA  
 USB terminal ..... USB2.0 High Speed (Type A) 5 V, 2.1 A  
 iPod terminal ..... USB, and Video (Composite)  
 ADAPTER PORT terminal ..... 5 V, 100 mA  
 WIRELESS LAN ADAPTER terminal ..... 5 V, 600 mA

SC-63

5 6 7 8

9

**Integrated Control Section**

Control (IR) terminal .....	ø 3.5 Mini-jack (MONO)
IR signal .....	High Active (High Level: 2.0 V)
RS-232C cable type .....	9-pin, cross type, female-female
EXTENSION terminal .....	5 V, 150 mA

**Network Section**

LAN terminal .....	10 BASE-T/100 BASE-TX
--------------------	-----------------------

**Miscellaneous**

Power requirements .....	AC 120 V, 60 Hz
Power consumption .....	290 W
In standby .....	0.1 W (HDMI Setup – Control : OFF)
	0.3 W (HDMI Setup – Control : ON)
Dimensions .....	435 mm (W) x 185 mm (H) x 441 mm (D)
	(17 1/8 in. (W) x 7 1/4 in. (H) x 17 3/8 in. (D))
Weight (without package) .....	14.4 kg (31.7 lb)

**Number of Furnished Parts**

MCACC Setup microphone .....	1
Remote control unit .....	1
AAA size IEC R03 dry cell batteries .....	2
iPod cable .....	1
AM loop antenna .....	1
FM wire antenna .....	1
Power cord .....	
CD-ROM (AVNavigator) .....	
Quick start guide .....	
Safety Brochure .....	
Warranty sheet .....	



**Note**

- Specifications and the design are subject to possible modifications without notice, due to improvements.
- This product includes FontAvenue® fonts licensed by NEC Corporation. FontAvenue is a registered trademark of NEC Corporation.

- 
- Manufactured under license from Dolby Laboratories. “Dolby”, “Pro Logic”, “Surround EX” and the double-D symbol are trademarks of Dolby Laboratories.
  - Manufactured under license under U.S. Patent Nos: 5,956,674; 5,974,380; 6,226,616; 6,487,535; 7,212,872; 7,333,929; 7,392,195; 7,272,567 & other U.S. and worldwide patents issued & pending. DTS-HD, the Symbol, & DTS-HD and the Symbol together are registered trademarks & DTS-HD Master Audio is a trademark of DTS, Inc. Product includes software. © DTS, Inc. All Rights Reserved.
  - Apple, AirPlay, iPad, iPhone, iPod, iPod nano, iPod touch, iTunes and Mac are trademarks of Apple Inc., registered in the U.S. and other countries.  
The AirPlay logo is a trademark of Apple Inc.
  - Windows and the Windows logo are trademarks of the Microsoft group of companies.



## 3. BASIC ITEMS FOR SERVICE

### 3.1 CHECK POINTS AFTER SERVICING

#### Items to be checked after servicing

To keep the product quality after servicing, confirm recommended check points shown below.

No.	Procedures	Check points
1	Confirm whether the customer complain has been solved. If the customer complain occurs with the particular source, such as Dolby Digital, DTS, AAC, DVD-A and HDMI, input it for the operation check.	The customer complain must not be reappeared. Video, Audio and operations must be normal.
2	Check the analog audio playback. (Make the analog connections with a DVD player.)	Each channel audio and operations must be normal.
3	Check the digital audio playback. (Make the digital connections with a DVD player.)	Each channel audio and operations must be normal.
4	Check surround playback. (Select Surround mode and check the multichannel operations via the DSP circuit.)	Each channel audio and operations must be normal.
5	Check the video outputs. (Connect with a DVD player.)	Video and operations must be normal.
6	Check the tuner (AM and FM) operations.	Audio and operations must be normal.
7	Check the sound from headphone output.	Sound must be normal, without noise.
8	Check the appearance of the product.	No scratches or dirt on its appearance after receiving it for service.

See the table below for the items to be checked regarding video and audio.

Item to be checked regarding video	Item to be checked regarding audio
Block noise	Distortion
Horizontal noise	Noise
Flicker	Volume too low
Disturbed image (video jumpiness)	Volume too high
Too dark	Volume fluctuating
Too bright	Sound interrupted
Mottled color	

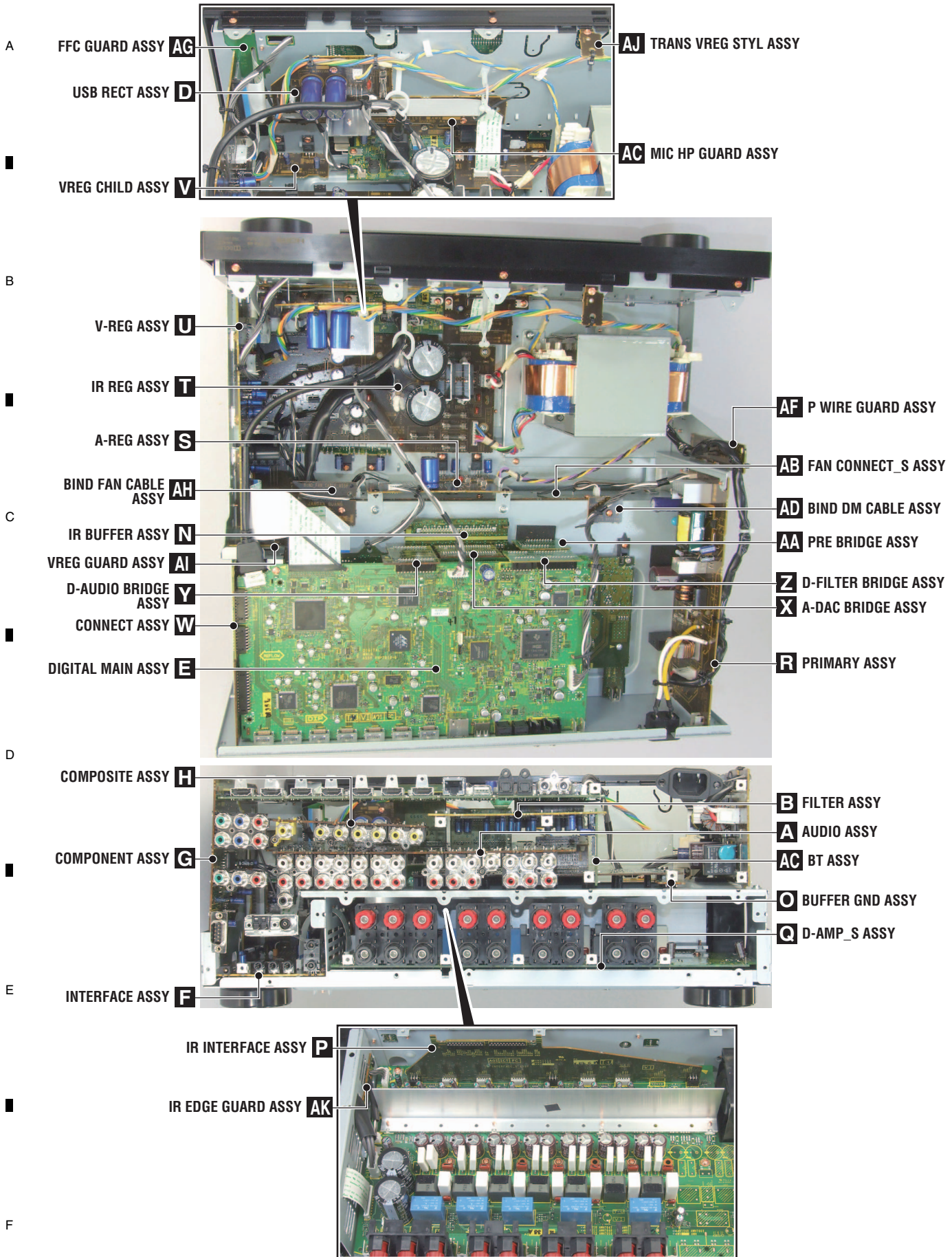
#### Cleaning

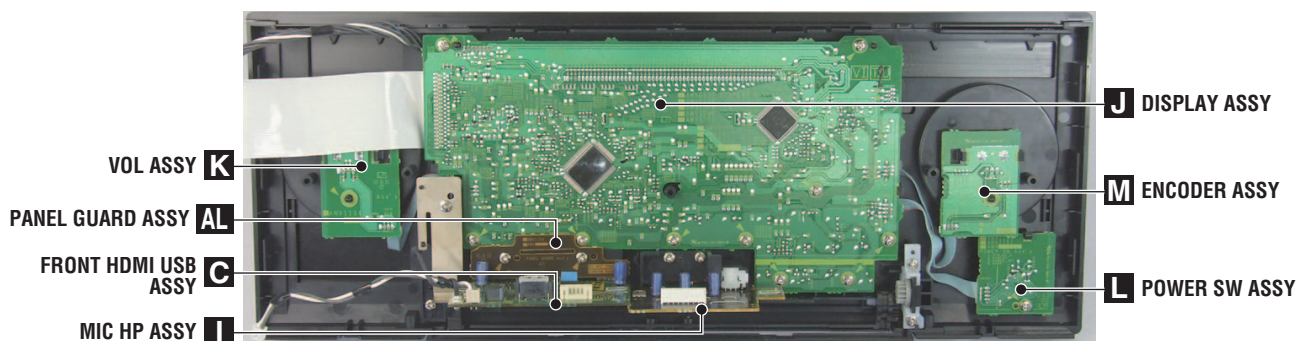


Before shipping out the product, be sure to clean the following positions by using the prescribed cleaning tools.

Position to be cleaned	Name	Part No.	Remarks
Fans	Cleaning paper	GED-008	Refer to "9.4 CHASSIS SECTION".

## 3.2 PCB LOCATIONS





NOTES: ● Parts marked by “NSP” are generally unavailable because they are not in our Master Spare Parts List.  
 ● The  $\triangle$  mark found on some component parts indicates the importance of the safety factor of the part.  
 Therefore, when replacing, be sure to use parts of identical designation.

Mark No.	Description	Part No.	Mark No.	Description	Part No.
<b>LIST OF ASSEMBLIES</b>					
NSP	1..D-AMP_S ASSY 2..D-AMP_S ASSY 2..BT ASSY	AWH7060 AWX1192 AWX1196	NSP	1..INTERFACE REG ASSY (SC-1227-K//SC-1222-K) 2..IR REG ASSY 2..FILTER ASSY 2..CONNECT ASSY 2..PRE BRIDGE ASSY 2..INTERFACE ASSY 2..TRANS VREG STYL ASSY	AWR7156 AWX1158 AWX1159 AWX1160 AWX1202 AWX1207 AWX1256
NSP	1..IR BUFFER ASSY 2..BUFFER GND ASSY 2..IR BUFFER ASSY	AWM8308 AWX1156 AWX1201	NSP	1..PRE POWER ASSY (SC-63//SC-61) 2..V-REG ASSY 2..D-FILTER BRIDGE ASSY 2..VREG CHILD ASSY 2..BIND DM CABLE ASSY 2..A-REG ASSY 2..P WIRE GUARD ASSY 2..USB RECT ASSY	AWR7154 AWX1163 AWX1164 AWX1165 AWX1168 AWX1204 AWX1229 AWX1259
NSP	1..PRIM DISPLAY ASSY (SC-63//SC-61) 2..VOL ASSY 2..POWER SW ASSY 2..MIC HP ASSY 2..ENCODER ASSY 2..MIC HP GUARD ASSY 2..DISPLAY ASSY 2..PRIMARY ASSY	AWM8296 AWX1134 AWX1135 AWX1148 AWX1150 AWX1152 AWX1208 AWX1225	NSP	2..VREG GUARD ASSY 2..PANEL GUARD ASSY	AWX1153 AWX1154
NSP	1..PRIM DISPLAY ASSY (SC-1227-K//SC-1222-K) 2..VOL ASSY 2..POWER SW ASSY 2..MIC HP ASSY 2..ENCODER ASSY 2..MIC HP GUARD ASSY 2..DISPLAY ASSY 2..PRIMARY ASSY	AWM8297 AWX1134 AWX1151 AWX1148 AWX1150 AWX1152 AWX1209 AWX1225	NSP	2..VREG GUARD ASSY 2..PANEL GUARD ASSY	AWX1153 AWX1154
NSP	1..AUDIO COMPOSITE ASSY 2..COMPOSITE ASSY 2..AUDIO ASSY 2..D-AUDIO BRIDGE ASSY 2..A-DAC BRIDGE ASSY 2..FAN CONNECT_S ASSY	AWR7138 AWX1116 AWX1117 AWX1127 AWX1129 AWX1130	NSP	1..PRE POWER ASSY (SC-1227-K//SC-1222-K) 2..V-REG ASSY 2..D-FILTER BRIDGE ASSY 2..VREG CHILD ASSY 2..BIND DM CABLE ASSY 2..A-REG ASSY 2..P WIRE GUARD ASSY 2..USB RECT ASSY 2..FFC GUARD ASSY 2..BIND FAN CABLE ASSY	AWR7158 AWX1260 AWX1164 AWX1165 AWX1168 AWX1204 AWX1229 AWX1259 AWX1167 AWX1231
NSP	1..INTERFACE REG ASSY (SC-63//SC-61) 2..IR REG ASSY 2..FILTER ASSY 2..CONNECT ASSY 2..PRE BRIDGE ASSY 2..INTERFACE ASSY	AWR7148 AWX1158 AWX1159 AWX1160 AWX1202 AWX1270	NSP	1..COMPONENT ASSY 1..FRONT HDMI USB ASSY 1..IR INTERFACE ASSY 2..IR EDGE GUARD ASSY	AWX1105 AWX1203 AWX1194 AWX1230
NSP	2..TRANS VREG STYL ASSY	AWX1256	NSP	1..DIGITAL MAIN ASSY	AWX1200

### 3.3 JIGS LIST

#### [1] Jigs List

Name	Jig No.	Remarks
39P FFC	GGD1681	Diagnosis for AUDIO ASSY, D-AMP_S ASSY, DIGITAL MAIN ASSY, FILTER ASSY
15P FFC	GGD1680	Diagnosis for AUDIO ASSY, D-AMP_S ASSY
20P + 14P board to board extension jig cable	GGD1798	Diagnosis for AUDIO ASSY, D-AMP_S ASSY, DIGITAL MAIN ASSY, FILTER ASSY
19P board to board extension jig cable	GGD1808	Diagnosis for AUDIO ASSY
5P PH Housing ASSY	GGD1594	Diagnosis for AUDIO ASSY, D-AMP_S ASSY
4P PH Housing ASSY	GGD1809	Diagnosis for AUDIO ASSY, D-AMP_S ASSY
23P + 23P board to board extension jig cable	GGD1804	Diagnosis for D-AMP_S ASSY
23P board to board extension jig cable	GGD1805	Diagnosis for DIGITAL MAIN ASSY, FILTER ASSY
27P board to board extension jig cable	GGD1799	Diagnosis for DIGITAL MAIN ASSY, FILTER ASSY
23P + 13P board to board extension jig cable	GGD1807	Diagnosis for DIGITAL MAIN ASSY, FILTER ASSY
28P + 14P board to board extension jig cable	GGD1763	Diagnosis for FILTER ASSY

#### [2] Lubricants and Glues List

Name	Lubricants and Glues No.	Remarks
Silicone Grease	ZLB-PN397B	Refer to "9.5 FRONT SECTION"

■

5

■

6

■

7

■

8

■

A

■

B

■

C

■

D

■

E

■

F

■

5

■

6

SC-63

■

7

■

8

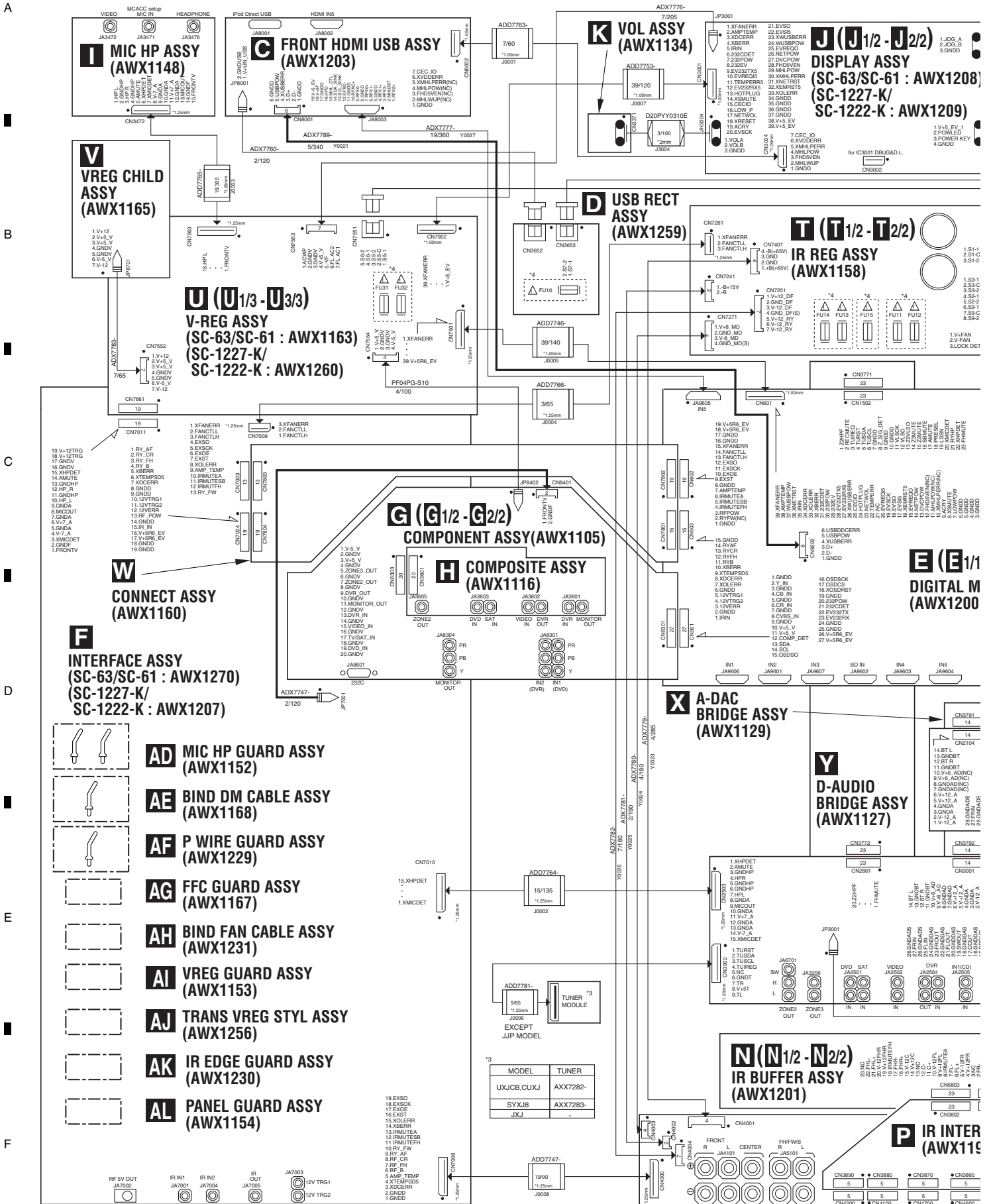
15

■

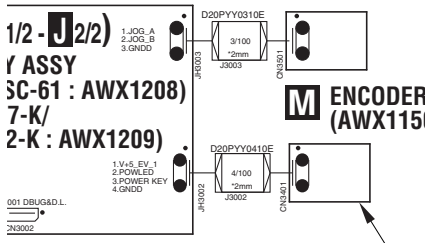


# 4. BLOCK DIAGRAM

## 4.1 OVERALL WIRING DIAGRAM

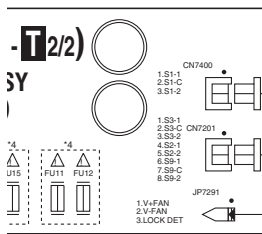


● When ordering service parts, be sure to refer to "EXPLODED VIEWS and PARTS LIST" or "PCB PARTS LIST".  
 ● The  $\Delta$  mark found on some component parts indicates the importance of the safety factor of the part.  
 Therefore, when replacing, be sure to use parts of identical designation.



**M ENCODER ASSY (AWX1150)**

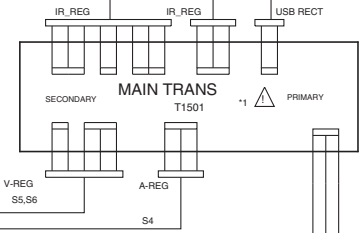
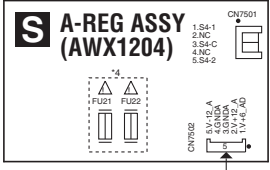
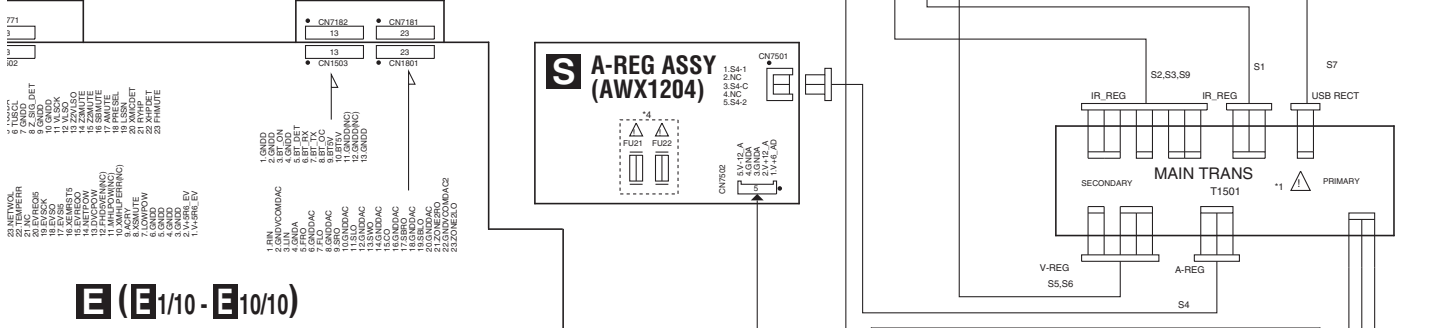
MODEL	FU1	FU4	FU10	FU11,FU12	FU13,FU14	FU15	FU21,FU22	FU31,FU32
SC-63	UXJCB	REK1154-(10A/125V)	REK1139-(T2A H250V)	REK1151-(8A/125V)	REK1143-(1.25A/125V)	REK1142-(1A/125V)	REK1143-(1.25A/125V)	REK1144-(1.6A/125V)
SC-61	CUXJ	REK1154-(10A/125V)	REK1139-(T2A H250V)	REK1151-(8A/125V)	REK1143-(1.25A/125V)	REK1142-(1A/125V)	REK1143-(1.25A/125V)	REK1144-(1.6A/125V)
SC-1222-K	JXJ	REK1154-(10A/125V)	REK1139-(T2A H250V)	REK1151-(8A/125V)	REK1143-(1.25A/125V)	REK1142-(1A/125V)	REK1143-(1.25A/125V)	REK1144-(1.6A/125V)
SC-2022	JXJ	REK1154-(10A/125V)	REK1139-(T2A H250V)	REK1151-(8A/125V)	REK1143-(1.25A/125V)	REK1142-(1A/125V)	REK1143-(1.25A/125V)	REK1144-(1.6A/125V)
SC-2022-K	SYXJ8	REK1154-(10A/125V)	REK1139-(T2A H250V)	REK1151-(8A/125V)	REK1143-(1.25A/125V)	REK1142-(1A/125V)	REK1143-(1.25A/125V)	REK1144-(1.6A/125V)



**L POWER SW ASSY (SC-63/SC-61 : AWX1135) (SC-1227-K/SC-1222-K : AWX1151)**

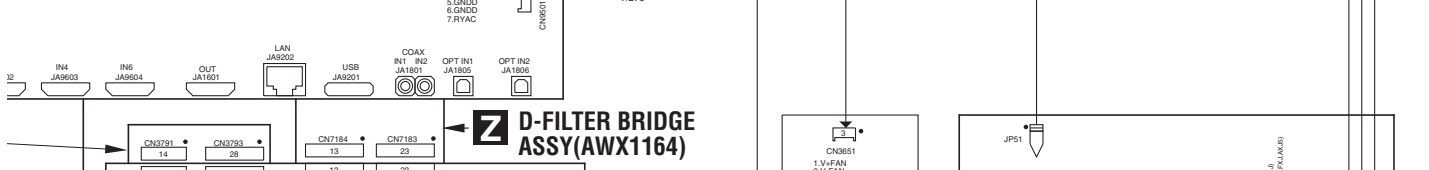
MODEL	MAIN TRANS	AC CORD
SC-63	UXJCB	ATS7451-A
SC-61	CUXJ	ATS7451-A
SC-1222-K	JXJ	ATS7452-A
SC-1227-K	JXJ	ATS7453-A

The  $\Delta$  mark found on some component parts should be replaced with same parts(safety regulation authorized) of identical designation.



CAUTION - FOR CONTINUED PROTECTION AGAINST RISK OF FIRE, REPLACE WITH SAME TYPE AND RATINGS OF FUSE.

**E (E1/10 - E10/10) DIGITAL MAIN ASSY (AWX1200)**



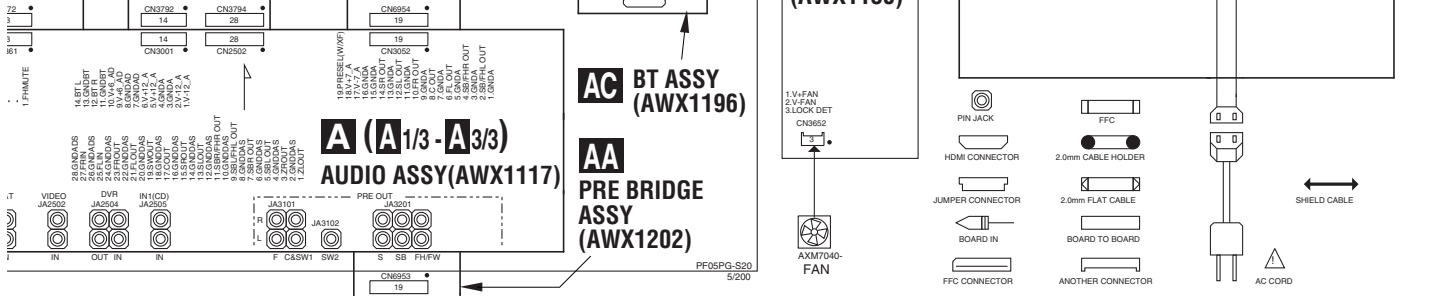
**Z D-FILTER BRIDGE ASSY(AWX1164)**

**B FILTER ASSY (AWX1159)**

**AB FAN CONNECT\_S ASSY (AWX1130)**

**R PRIMARY ASSY (AWX1125)**

**O ASSY 127)**

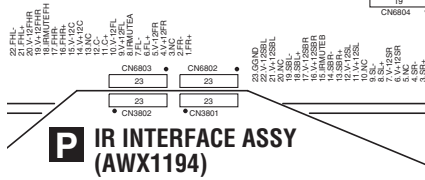
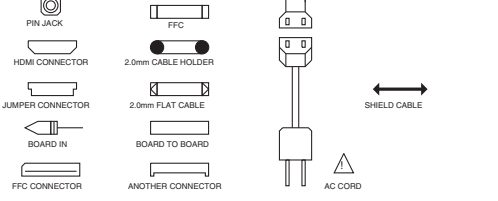


**A (A1/3 - A3/3) AUDIO ASSY(AWX1117)**

**AC BT ASSY (AWX1196)**

**AA PRE BRIDGE ASSY (AWX1202)**

**Q BUFFER GND ASSY (AWX1156)**



**P IR INTERFACE ASSY (AWX1194)**



**Q (Q1/10 - Q10/10) D-AMP\_S ASSY (AWX1192)**

\*OPTION

MODEL	MICROPHONE	REMO-COM	iPod CABLE
SC-63	UXJCB	APM7010-	AXD7666-
SC-61	CUXJ	APM7010-	AXD7666-
SC-1222-K	JXJ	APM7010-	AXD7667-
SC-2022	JXJ	APM7010-	AXD7667-
SC-2022-K	SYXJ8	APM7010-	AXD7666-

# 4.2 BLOCK DIAGRAM FOR AUDIO BLOCK

## E DIGITAL MAIN ASSY

Refer to the "4.4 BLOCK DIAGRAM FOR DIGITAL MAIN AUDIO BLOCK".

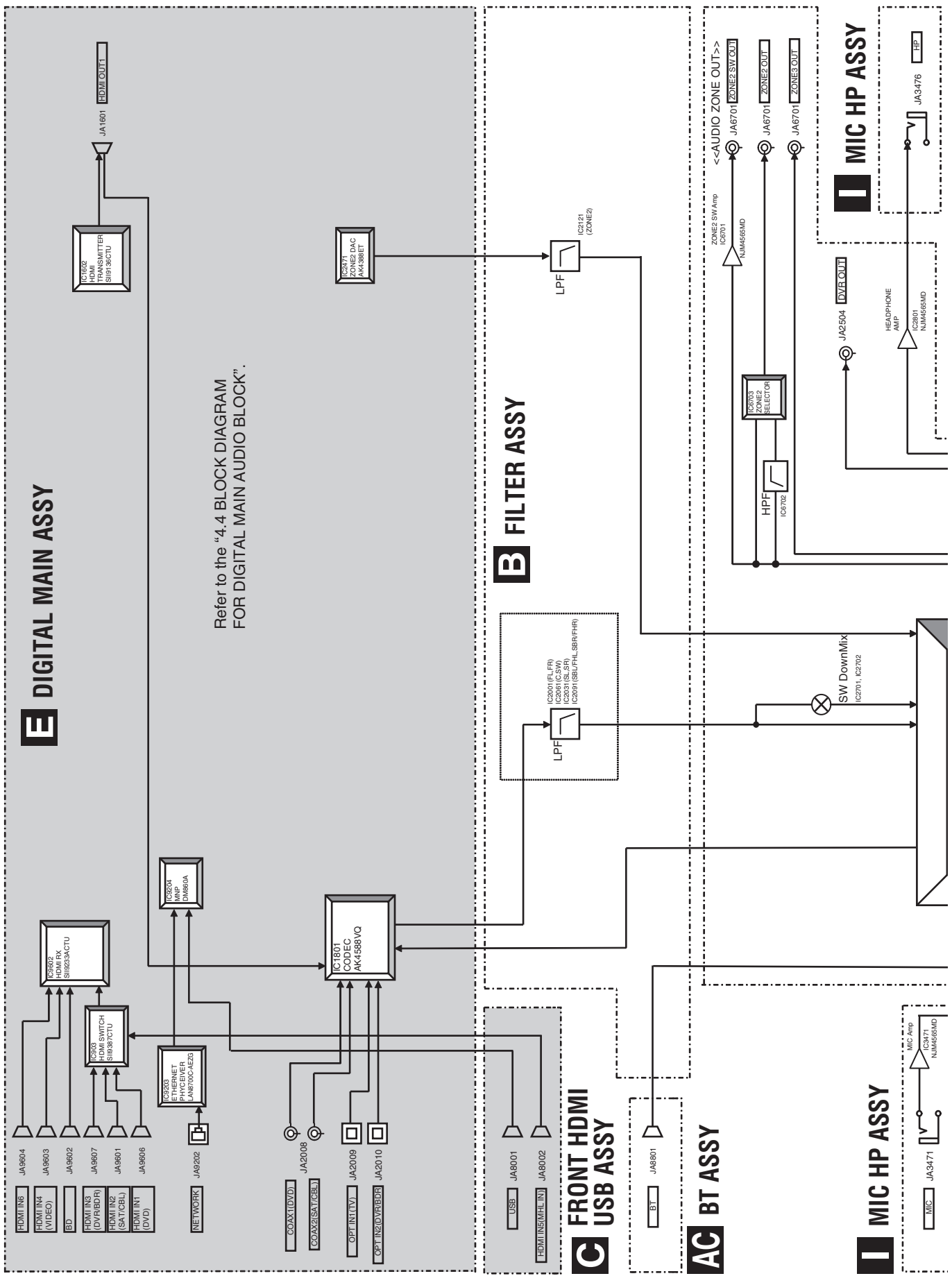
## B FILTER ASSY

## C FRONT HDMI USB ASSY

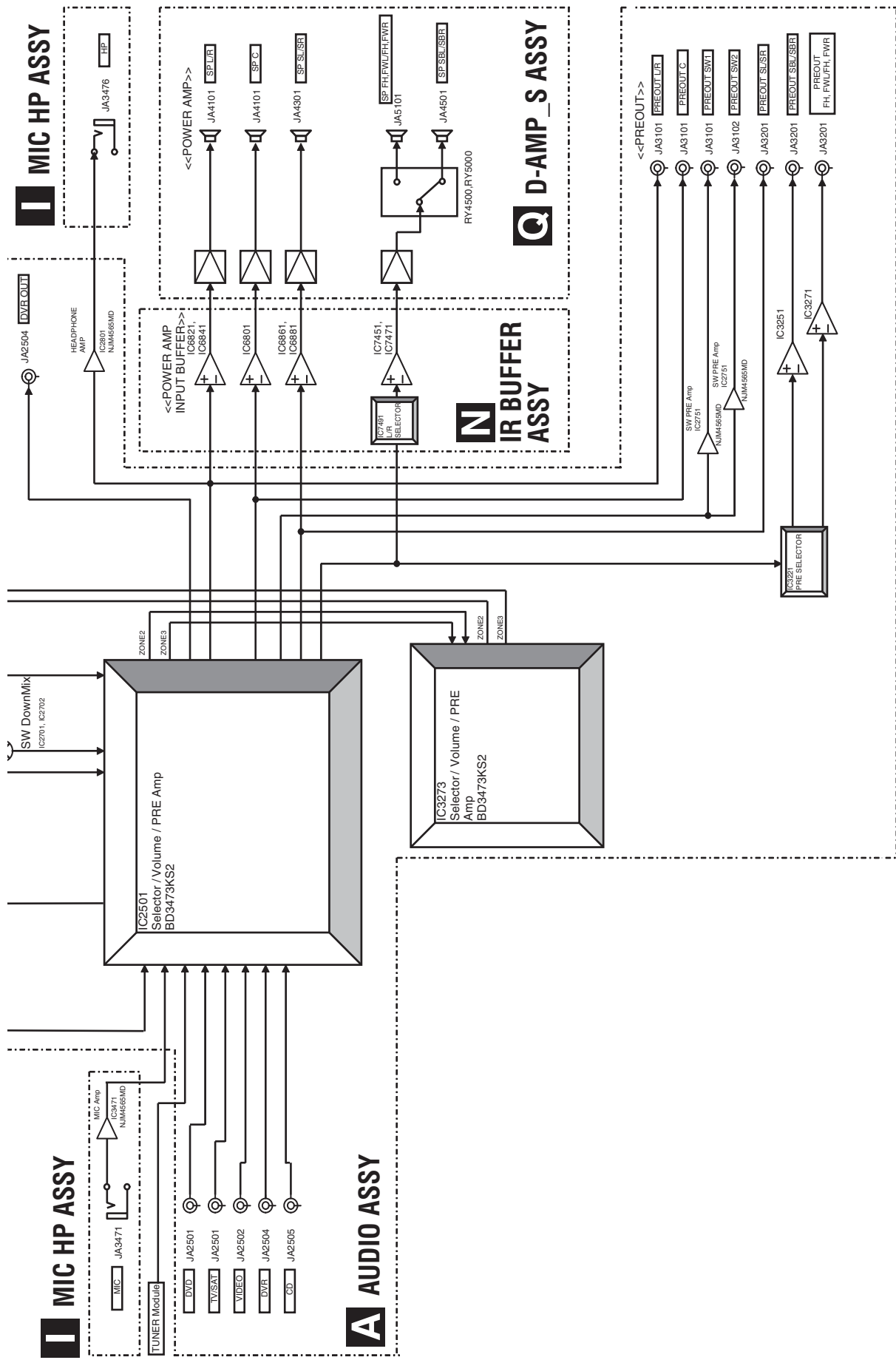
## AC BT ASSY

## I MIC HP ASSY

## I MIC HP ASSY





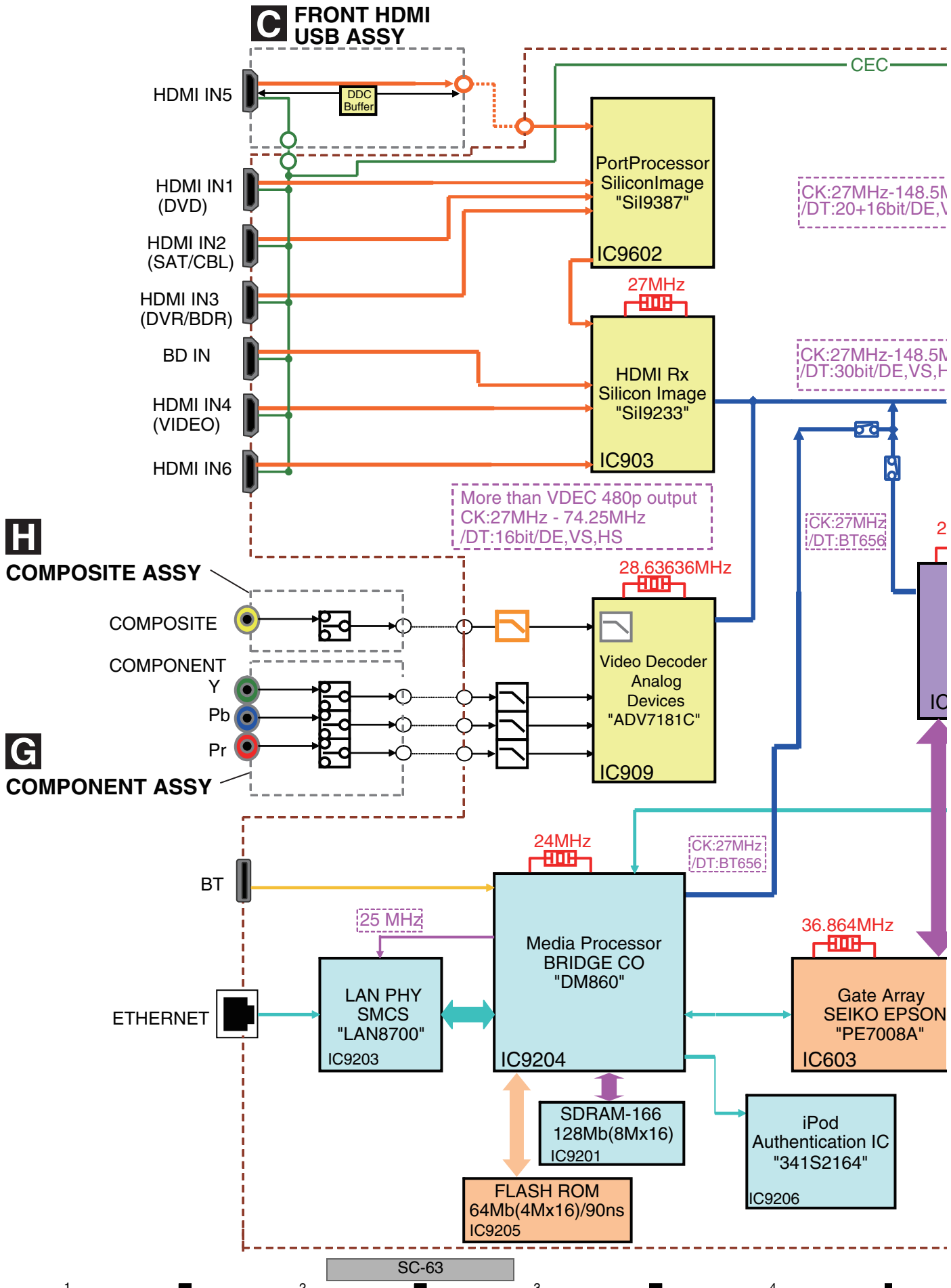


A B C D E F

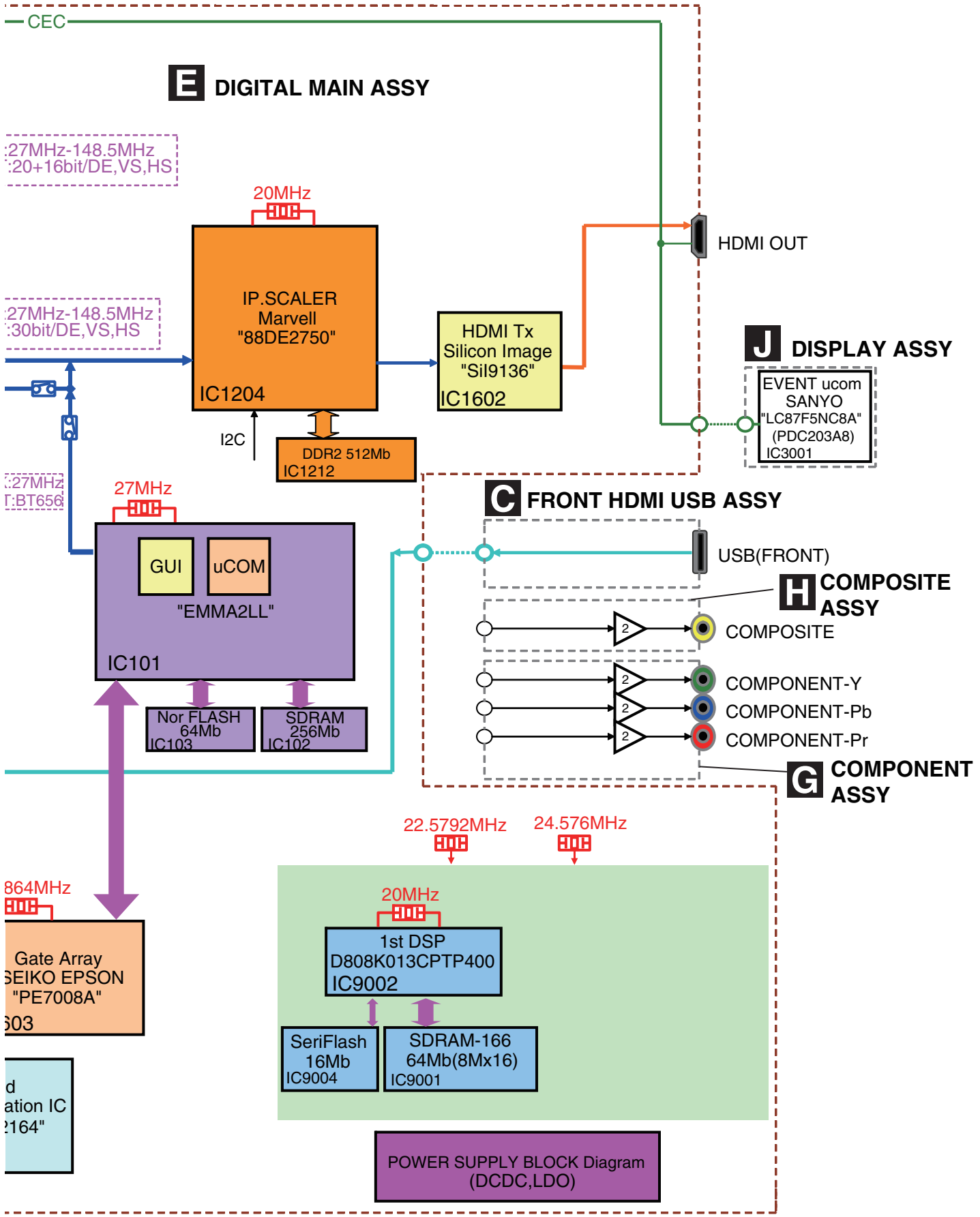
### 4.3 BLOCK DIAGRAM FOR DIGITAL MAIN VIDEO BLOCK

A  
B  
C  
D  
E  
F

1 2 3 4



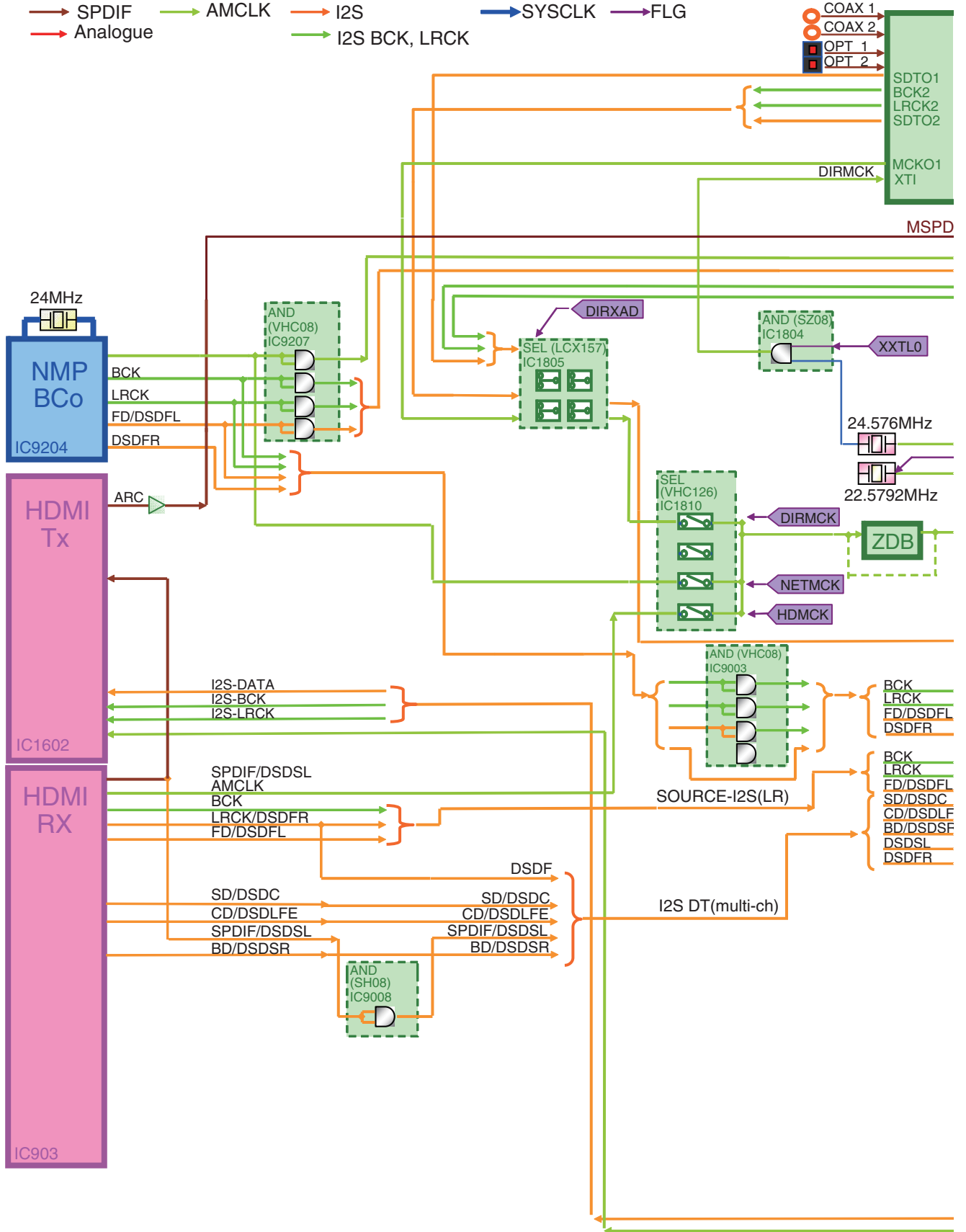
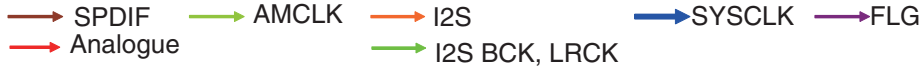
1 2 3 4



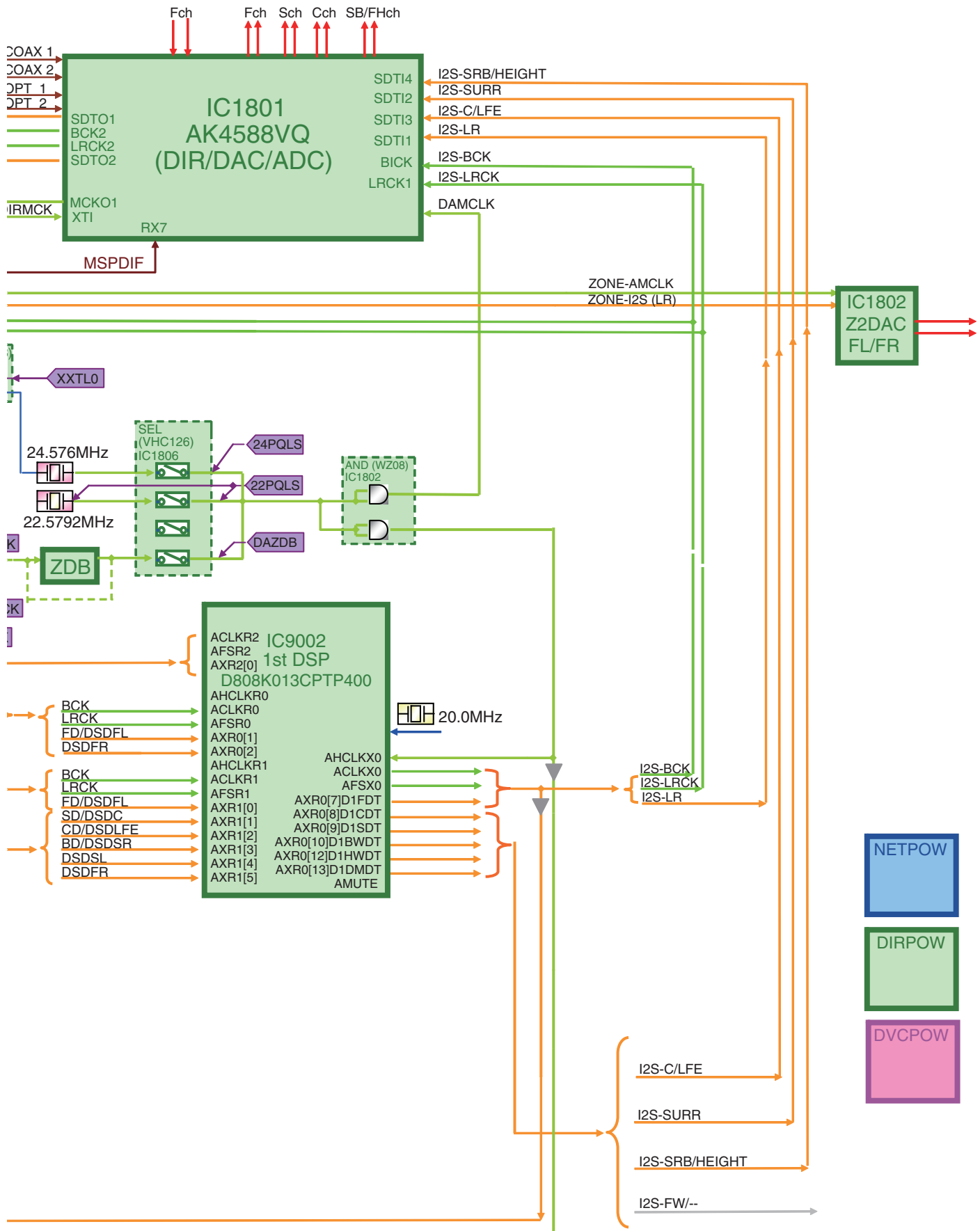
A B C D E F

# 4.4 BLOCK DIAGRAM FOR DIGITAL MAIN AUDIO BLOCK

## DIGITAL MAIN ASSY

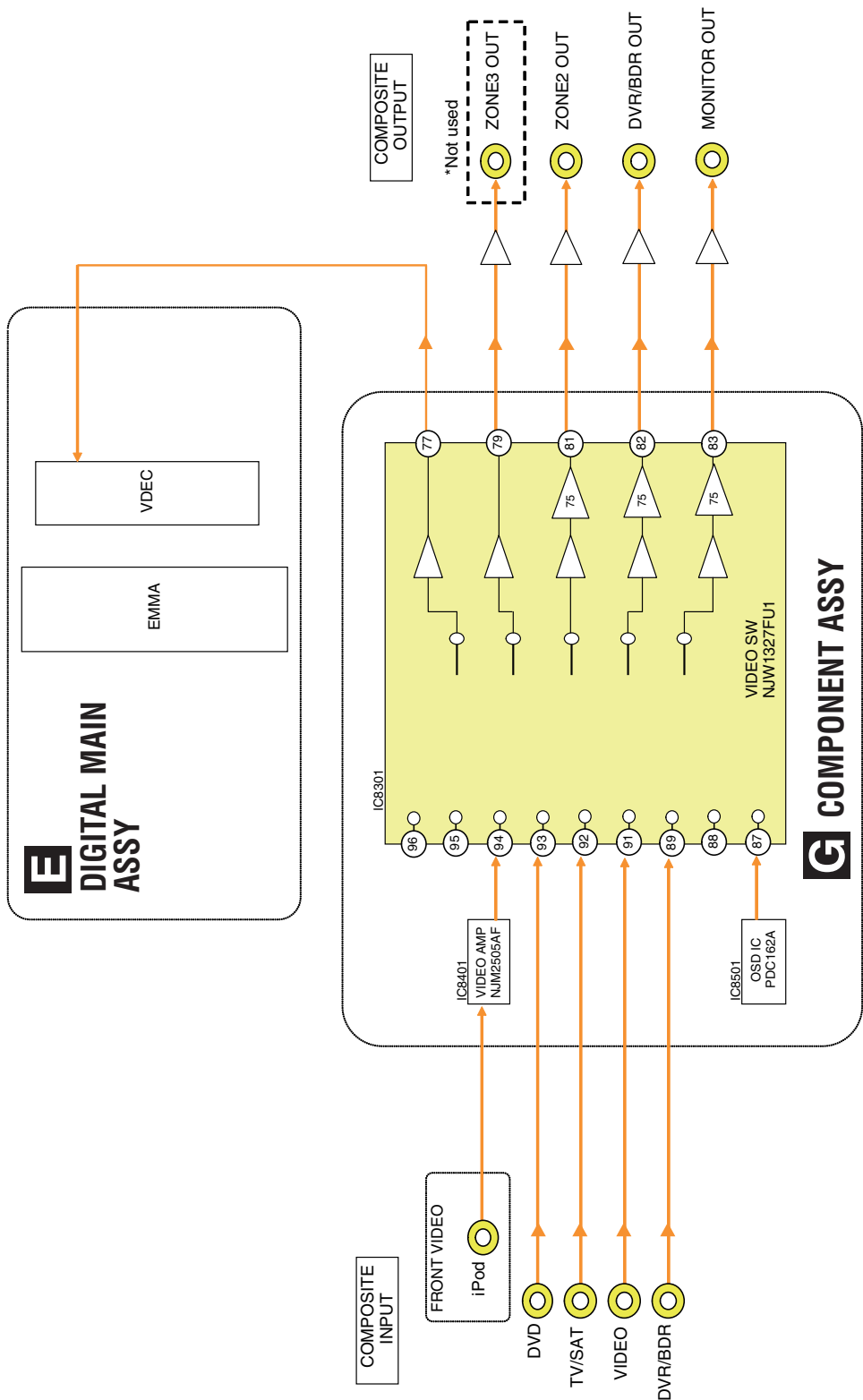


From/To FILTER ASSY

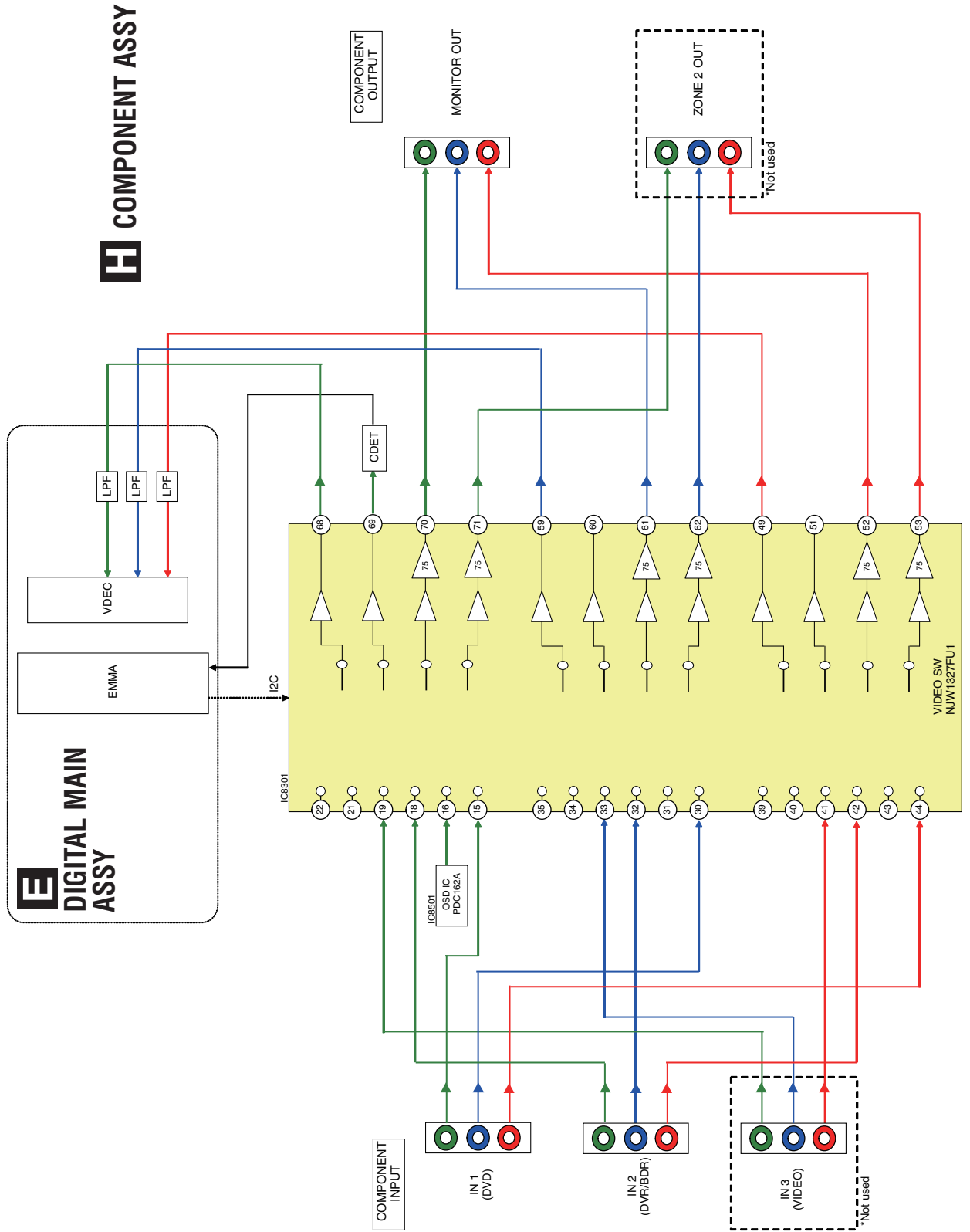


# 4.5 BLOCK DIAGRAM FOR COMPOSITE VIDEO BLOCK

A  
B  
C  
D  
E  
F

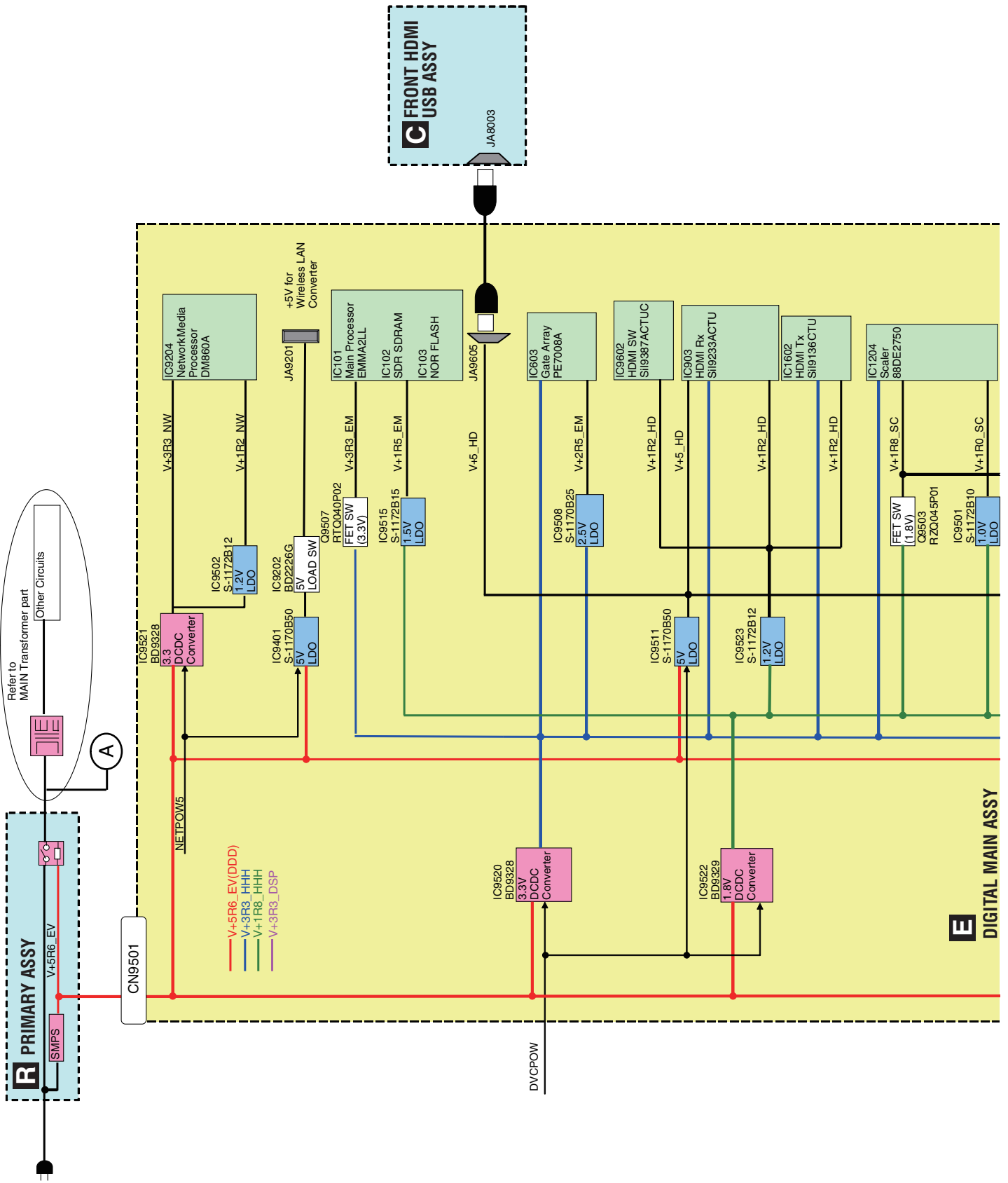


# 4.6 BLOCK DIAGRAM FOR COMPONENT VIDEO BLOCK

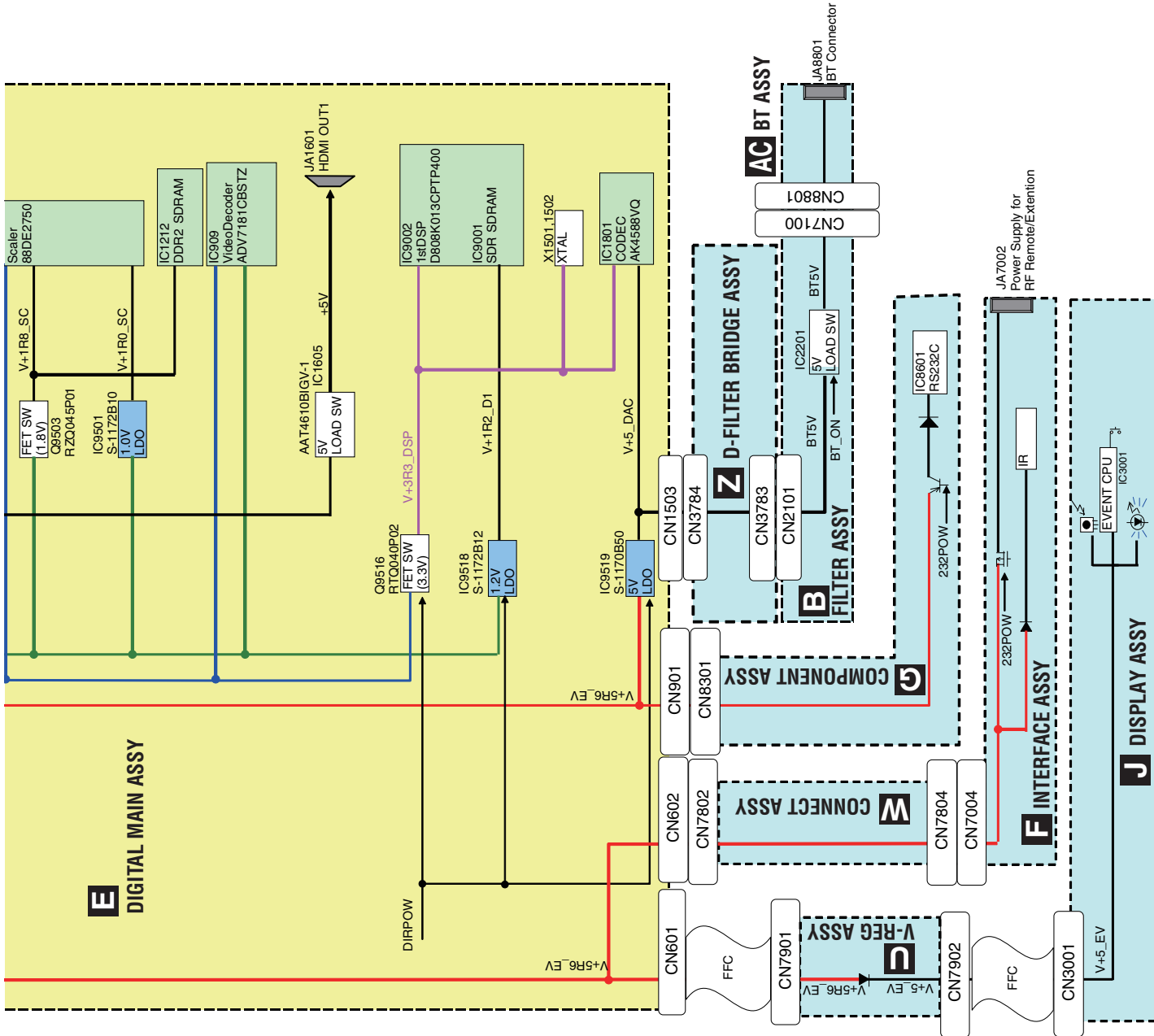


# 4.7 BLOCK DIAGRAM FOR POWER BLOCK (1)

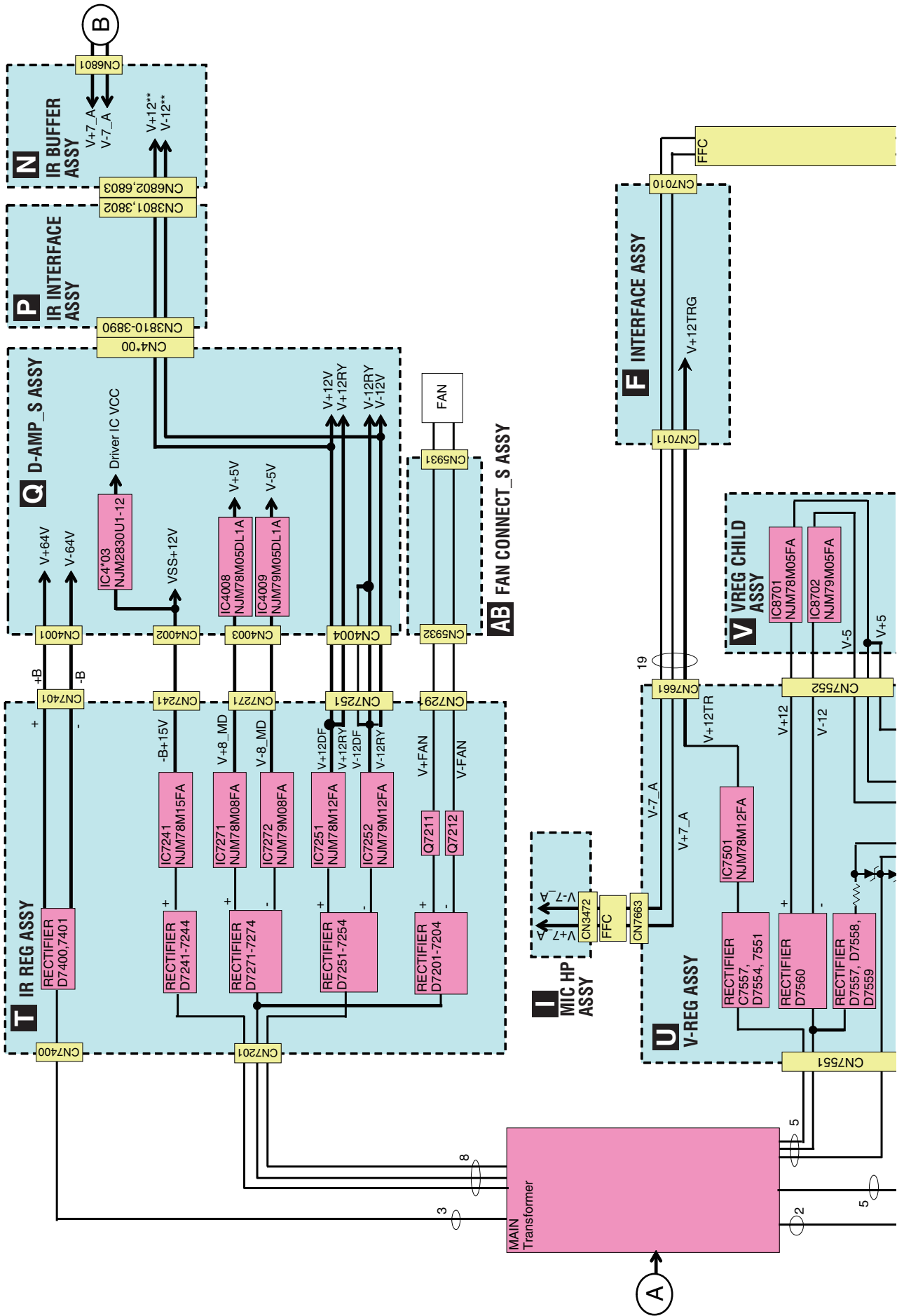
A  
B  
C  
D  
E  
F

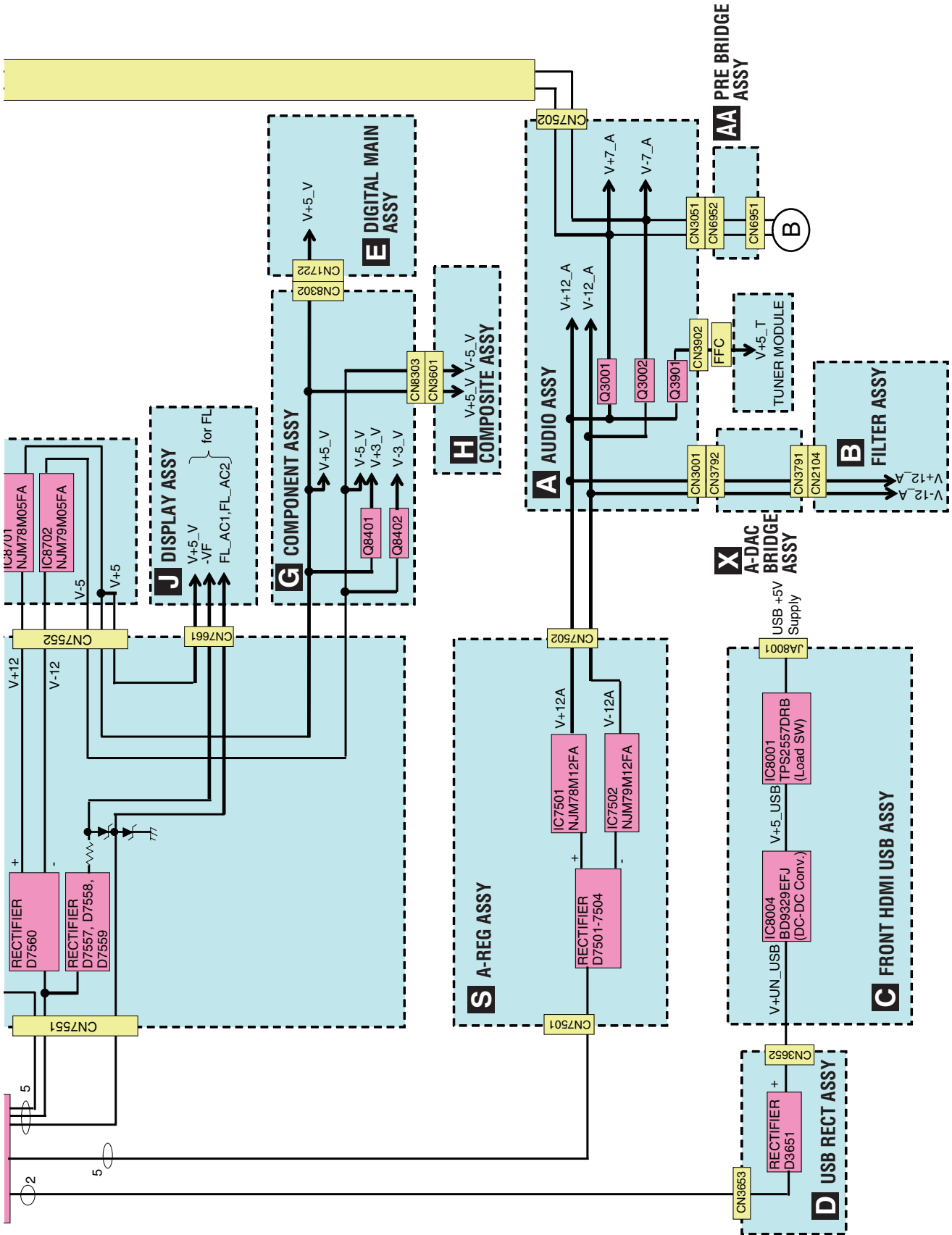






# 4.8 BLOCK DIAGRAM FOR POWER BLOCK (2)



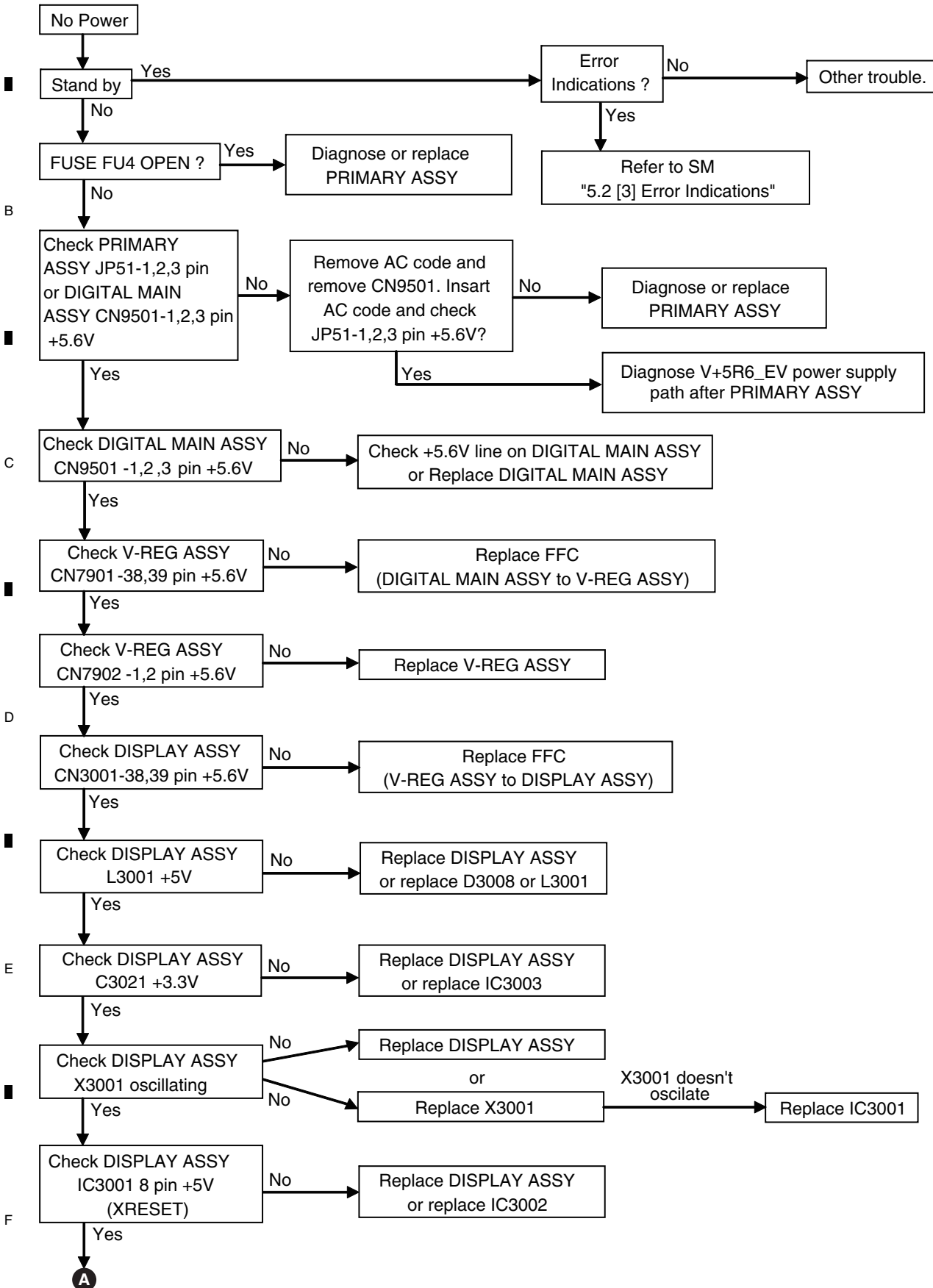


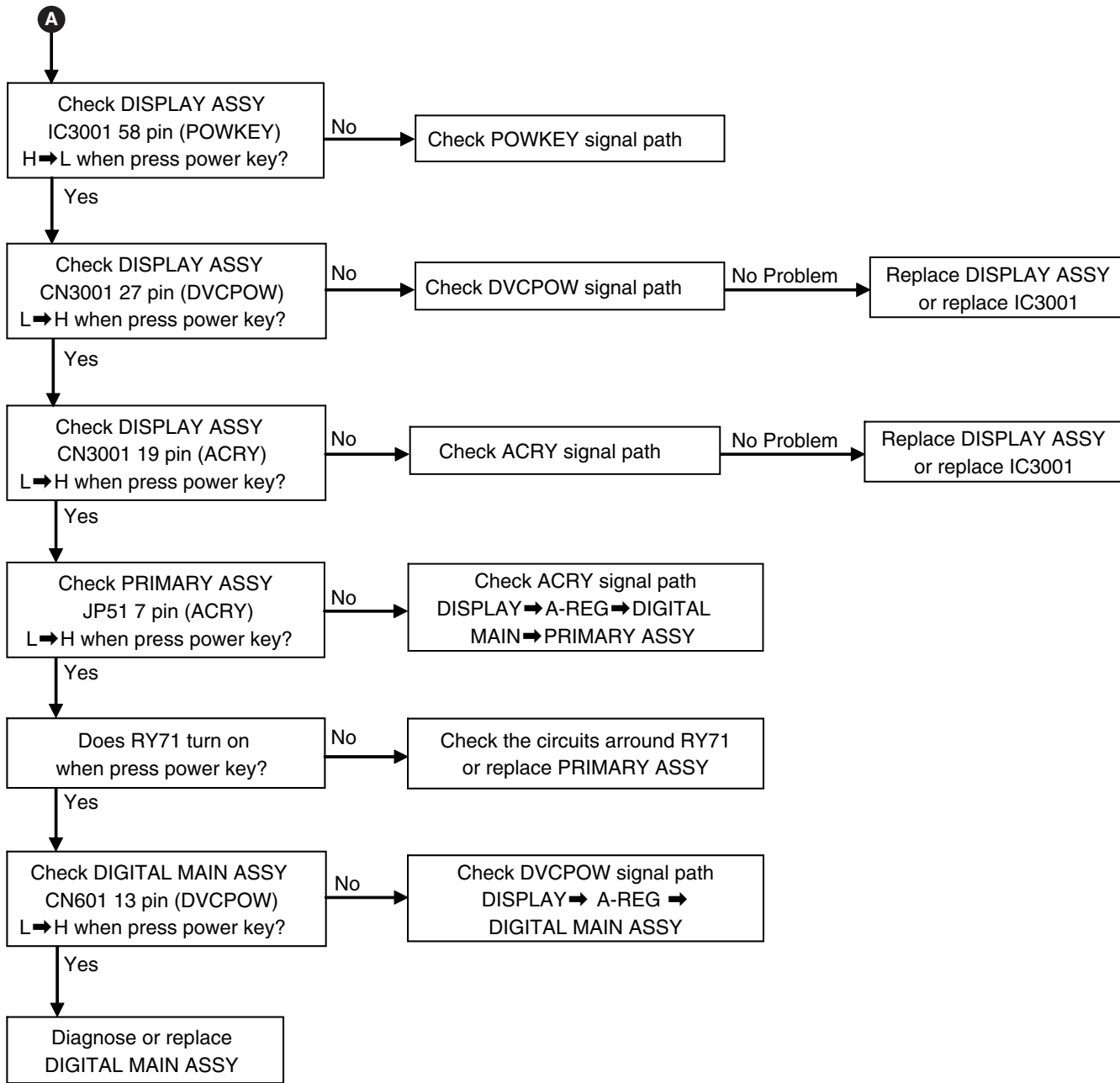
# 5. DIAGNOSIS

## 5.1 DIAGNOSIS FLOWCHART

### A NO POWER

This is just for general reference and does not including every single case.

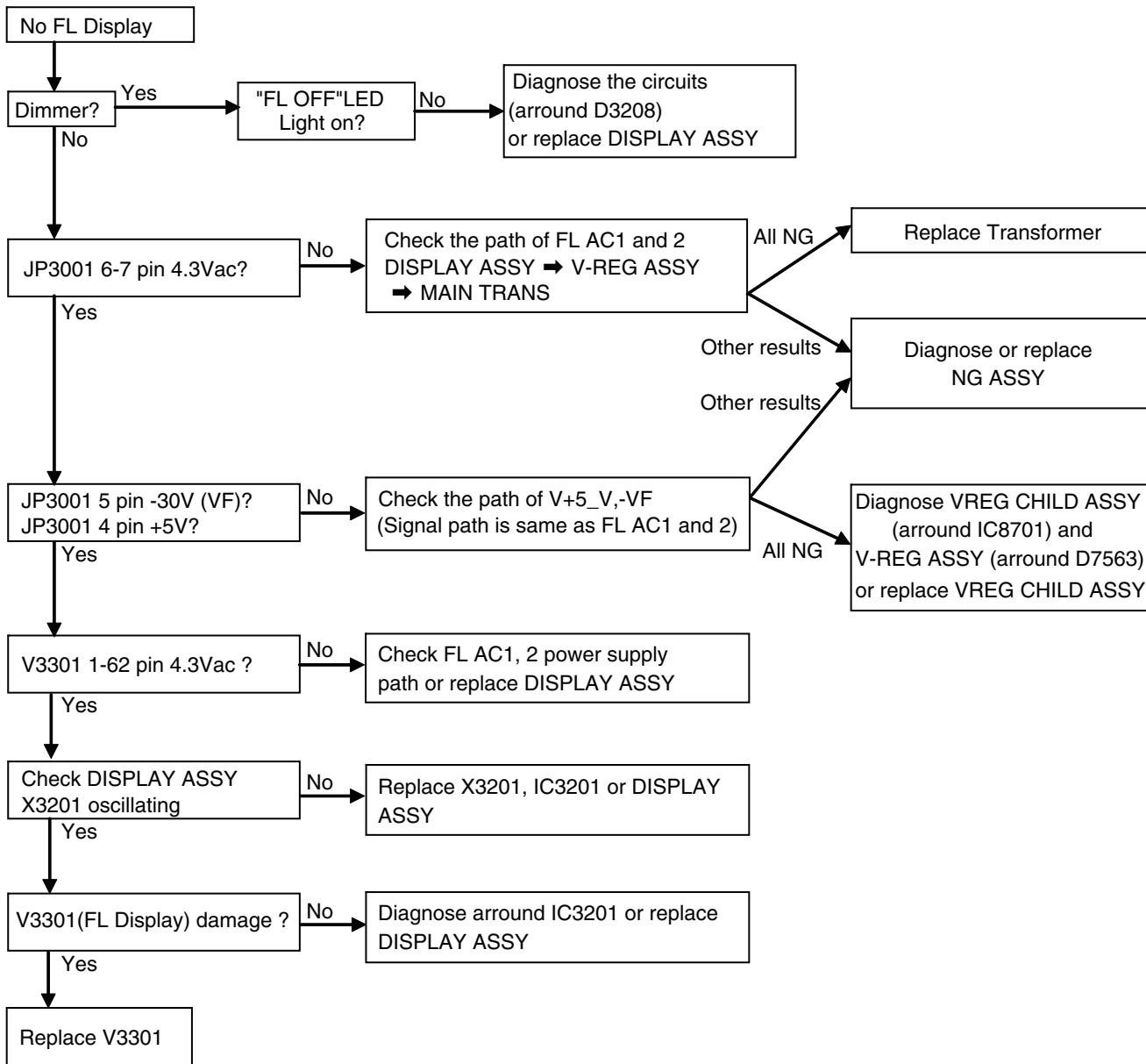




A  
B  
C  
D  
E  
F

### NO FL DISPLAY

A This is just for general reference and does not including every single case.

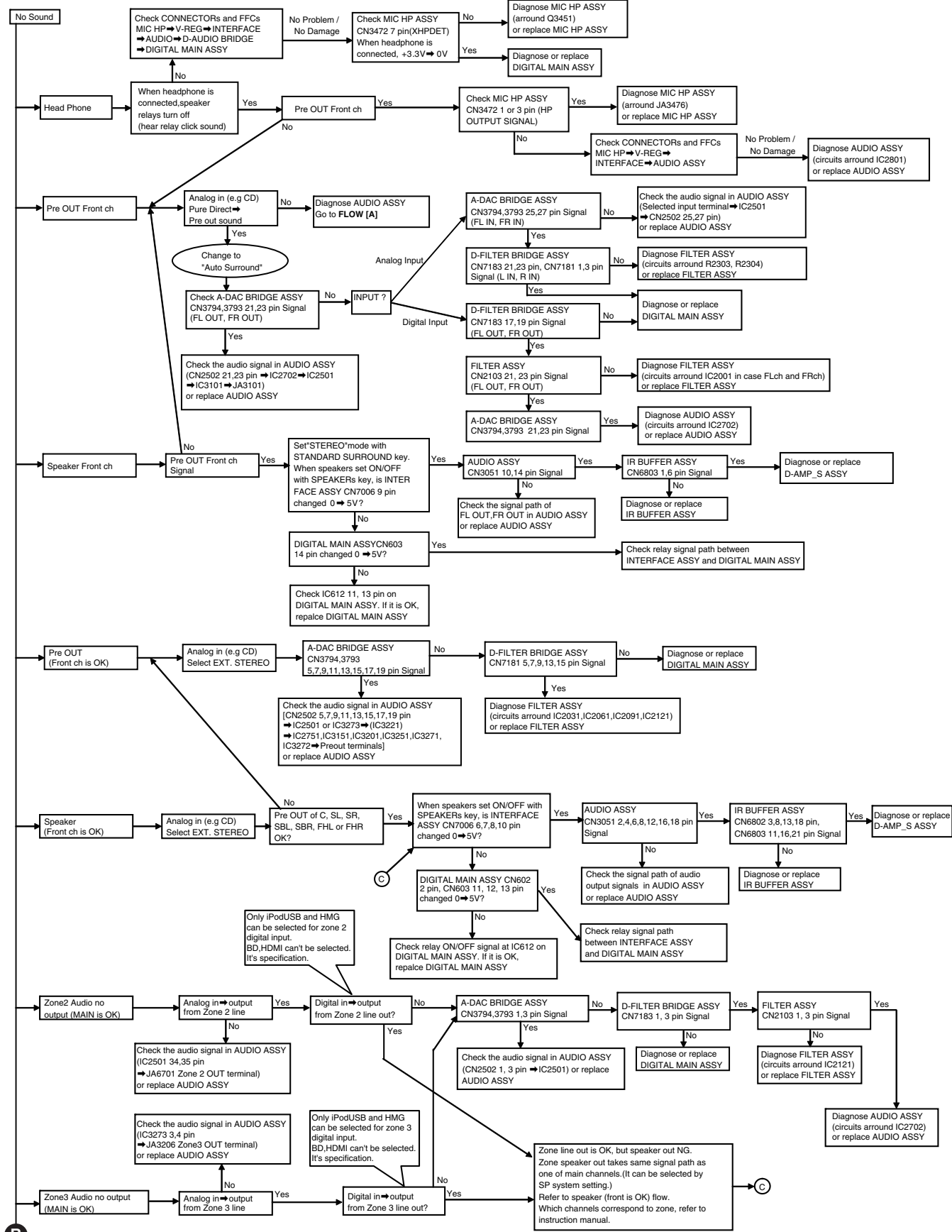


E

F

# NO SOUND

This is just for general reference and does not including every single case.



A

B

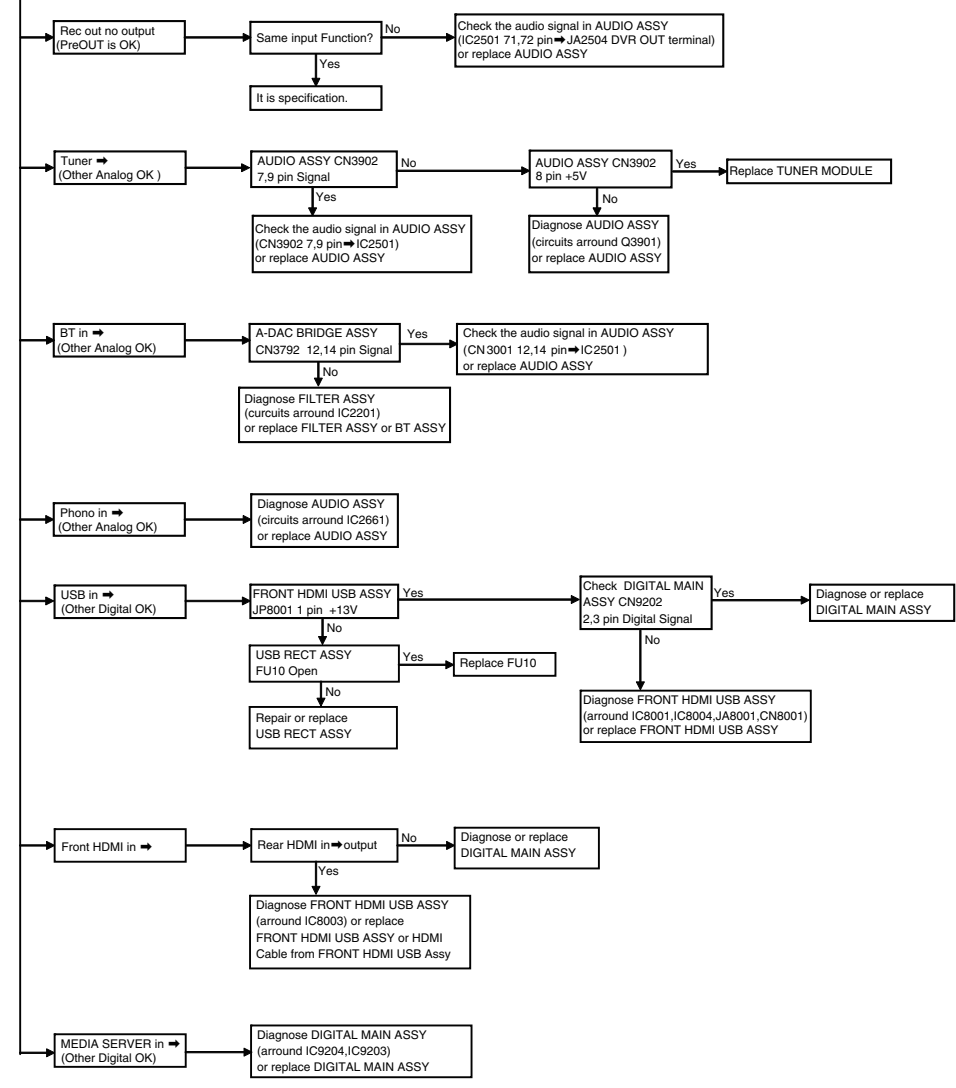
B

C

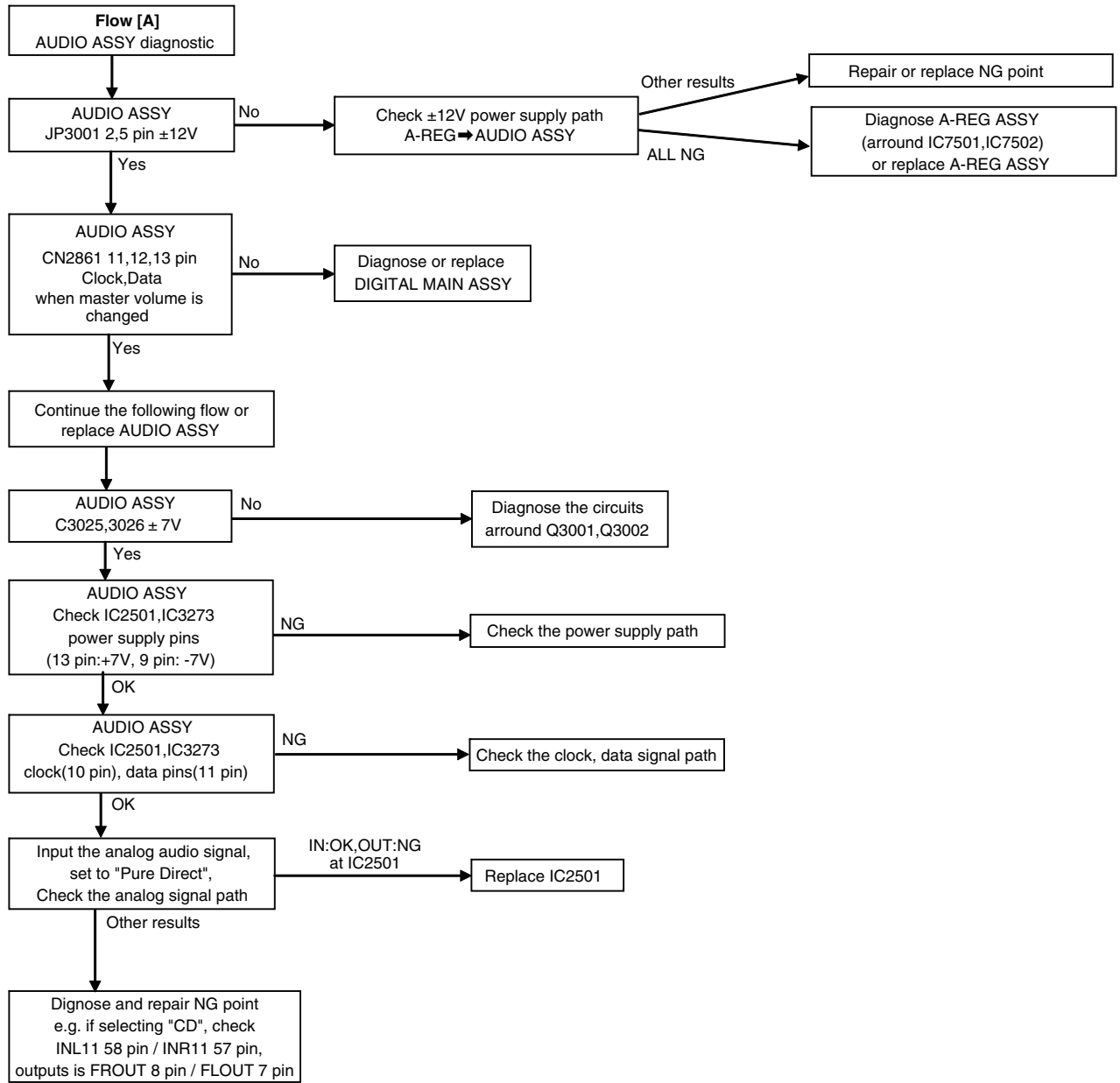
D

E

F







### NO PICTURE

This is just for general reference and does not including every single case.

A

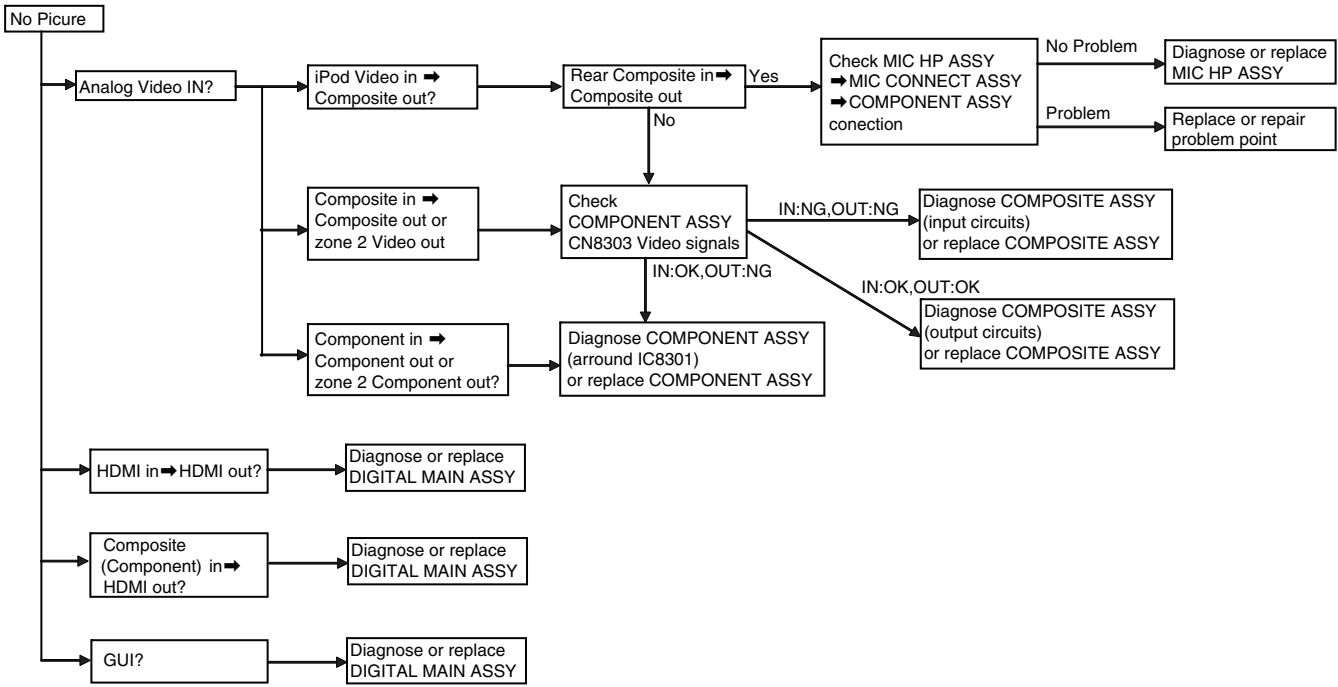
B

C

D

E

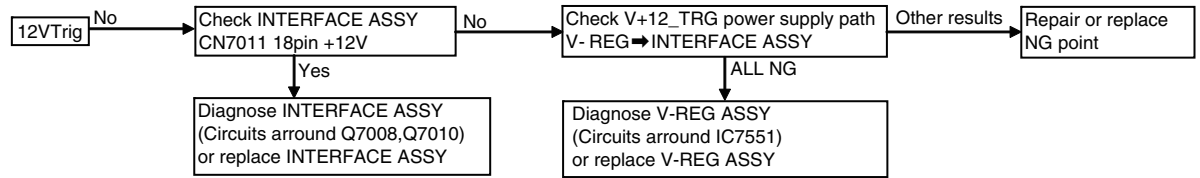
F



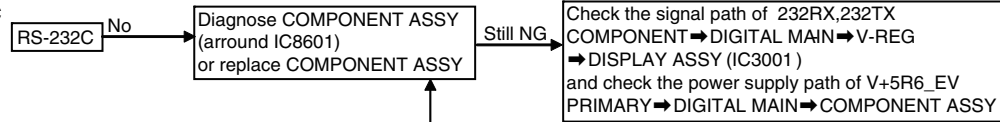
### OTHER

This is just for general reference and does not including every single case.

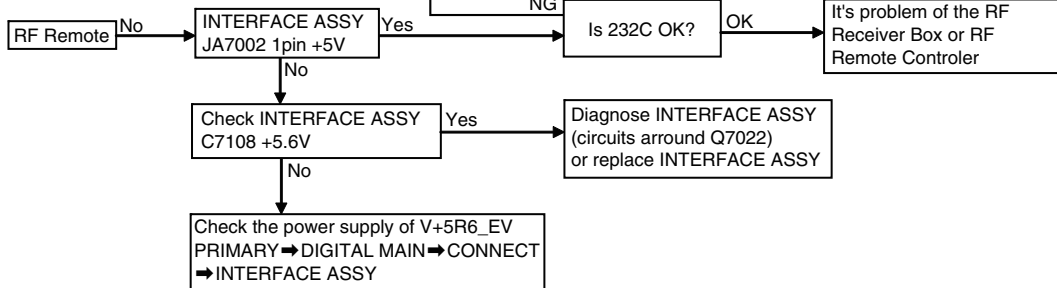
#### 12V Trig



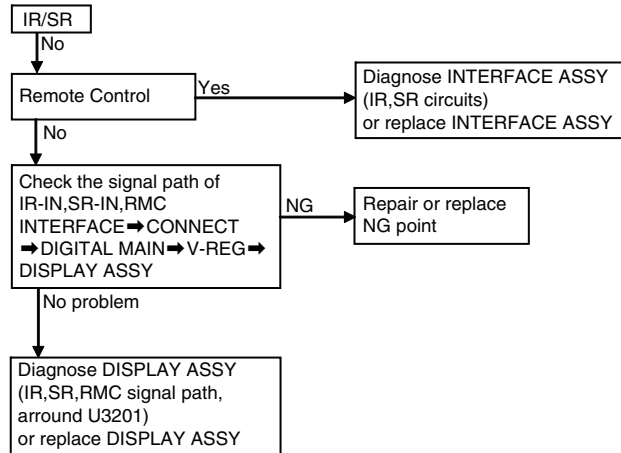
#### RS-232C



#### RF Remote



#### IR/SR



## 5.2 CIRCUIT DESCRIPTION

### [1] Protection Circuit Process List

#### Amplifier Circuit

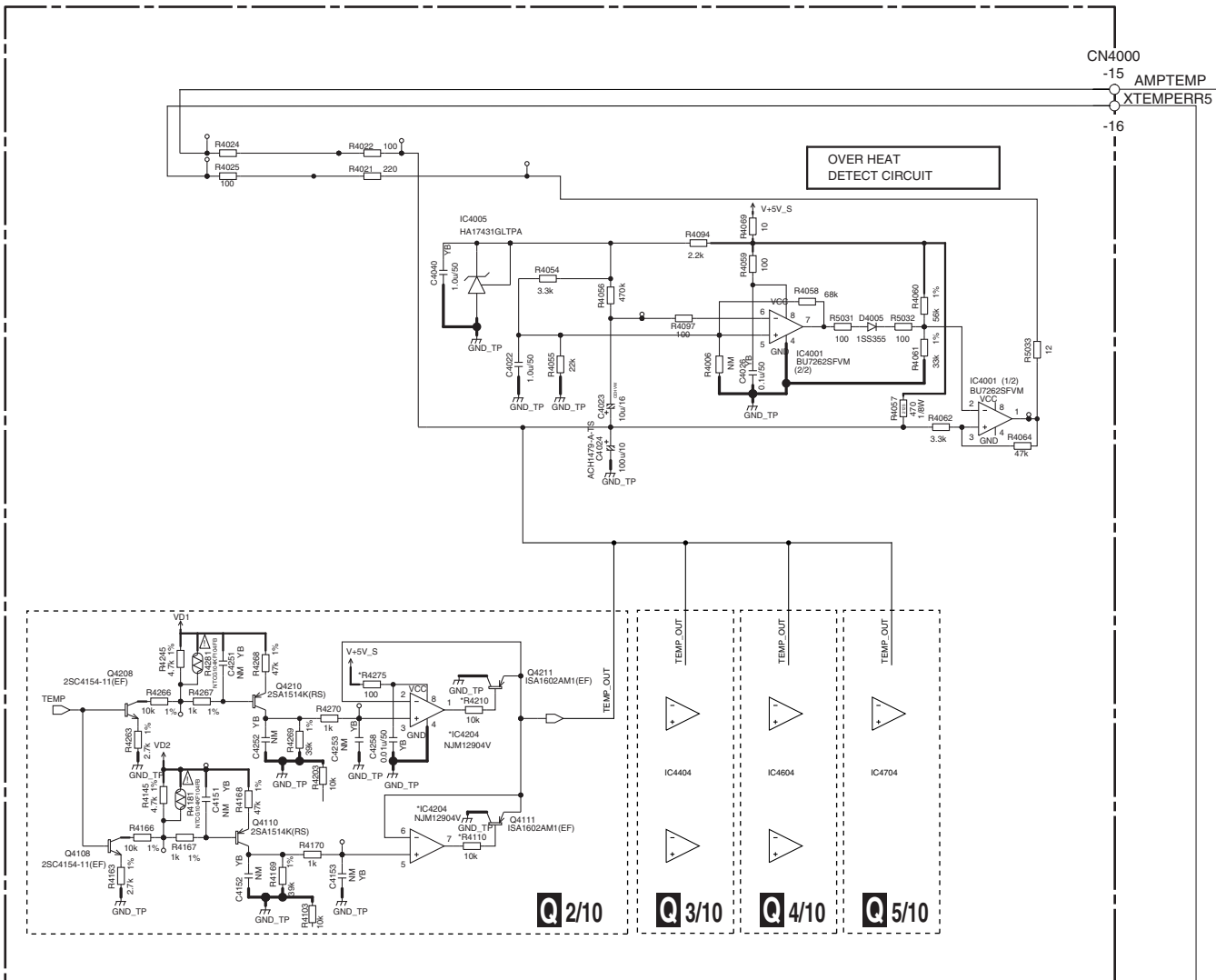
Item	Purpose	Detection Method	Status of Equipment	Warning Indication	Remarks
Overheat detection	Detects MOS FET temperature of amplifier output stage	Detects when TEMPERR PORT becomes "L" in case of the detecting temperature exceeds 95°C or rapid change by short circuit of speaker terminals. (IC3001 72pin)	Flashes "OVERHEAT" Shuts down when abnormality continues for more than 3 seconds.	Blinks FL OFF LED indicator.	Recoverable by power-on after shutdown in one minute.
		Detects when MAXTEMP port becomes below 1.9V at NTC Thermistor detect circuit. (IC3001 2pin)	Fan rotates by power-on.		MAXTEMP voltage 5V-1.8V : FANLOW 1.8V or less : FANHIGH
DC detection	Detects DC of amplifier output (After LPF)	Detects when SP output exceeds DC ± 7V and DCERR port becomes "L". (IC3001 80pin)	MUTE on and Speaker Relay off. Flashes "AMP ERR". Shuts down when abnormality continues for more than 3 seconds.	Blinks ADVANCED MCACC LED	In case of detecting DC abnormality during power-on sequence after the DC was once detected. Recoverable by only DC DETECT cancel. Refer to "How to Enter Release Mode" .
			MUTE on and Speaker Relay off. Flashes "AMP ERR". Shuts down when abnormality continues for more than 3 seconds.	Blinks FL OFF LED indicator.	In case of detecting DC abnormality during normal operation. Recoverable by power-on after 1 minute.
Fan abnormality detection	Detects a Fan not rotating by loose connector or Fan lock when controlling the Fan rotation	Detects when FANDET port becomes "L". (IC3001 87pin)	Flashes "FAN STOP" Shuts down when abnormality continues for more than 3 seconds.	Blinks iPod iPhone iPad LED	Recoverable by power-on
Zobel detection	Protects overcurrent by Zobel Resistance when high power output of higher frequency continued	Detects OLERR port becomes "L". (IC3001 71pin)	Shuts down	Blinks iPod iPhone iPad LED	Recoverable by power-on
Overcurrent detection	Protects overcurrent of MOS FET in output stage when overcurrent flows at the output stage	Detects OLERR port becomes "L". (IC3001 71pin)	Shuts down	Blinks iPod iPhone iPad LED	Recoverable by power-on
Amplifier Power Supply failure detection	Detects abnormal in the Amplifier Power Supply	Detects B-Power Supply Voltage exceeds ± 75V or falls below ± 20V and BERR port becomes "L". (IC3001 84pin)	Shuts down	Blinks ADVANCED MCACC LED	Recoverable by only DC DETECT cancel. Refer to "How to Enter Release Mode" .

#### [How to Enter Release Mode]

During Standby mode, simultaneously press and hold the "TUNE [↓]" and "MULTI-ZONE ON/OFF" keys for 5 seconds.

# Overheat Detection

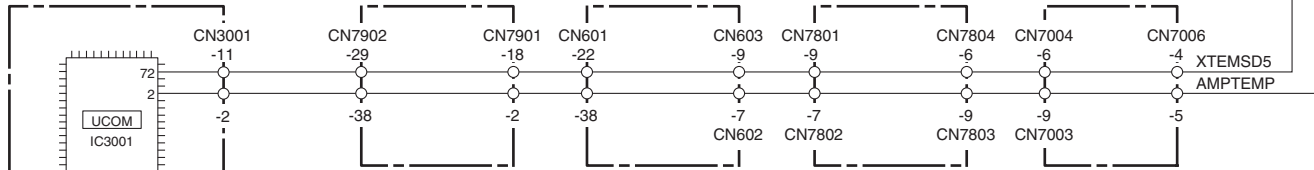
## Q D-AMP\_S ASSY



## J DISPLAY ASSY

## E DIGITAL MAIN ASSY

## F INTERFACE ASSY



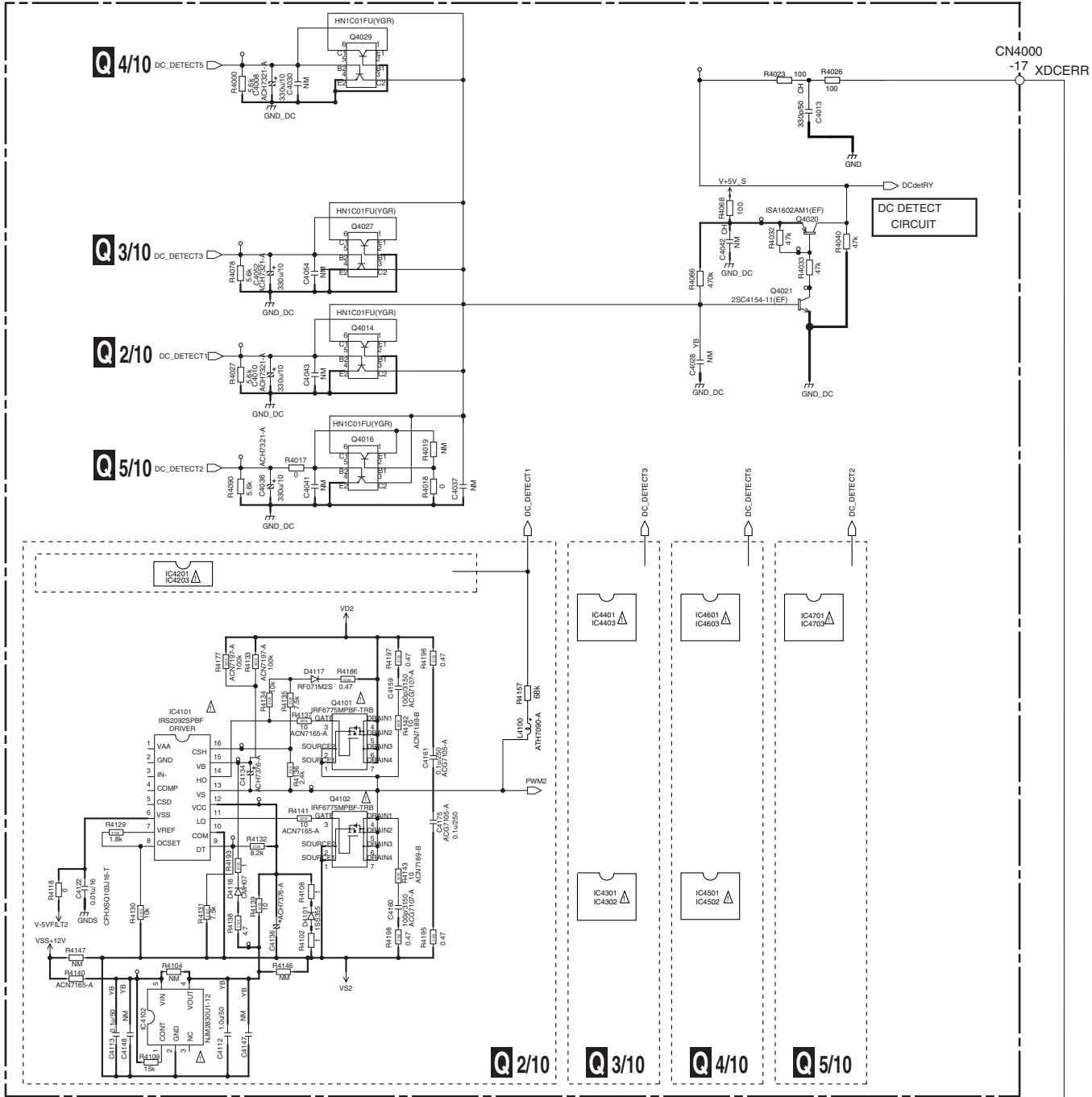
## U V-REG ASSY

## W CONNECT ASSY

### DC Detection

A

## Q D-AMP\_S ASSY



C

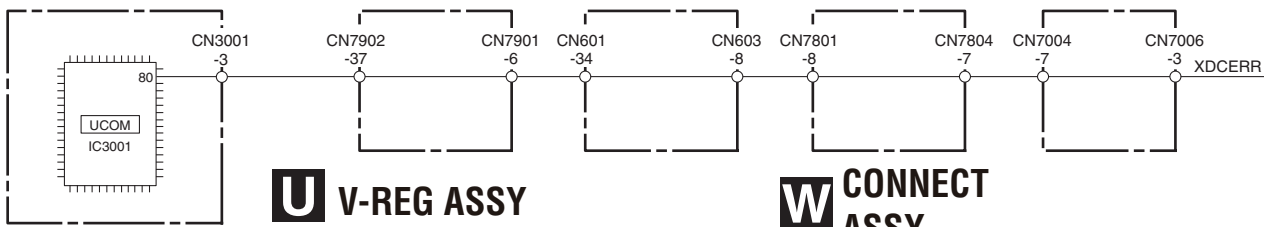
D

E

## J DISPLAY ASSY

## E DIGITAL MAIN ASSY

## F INTERFACE ASSY



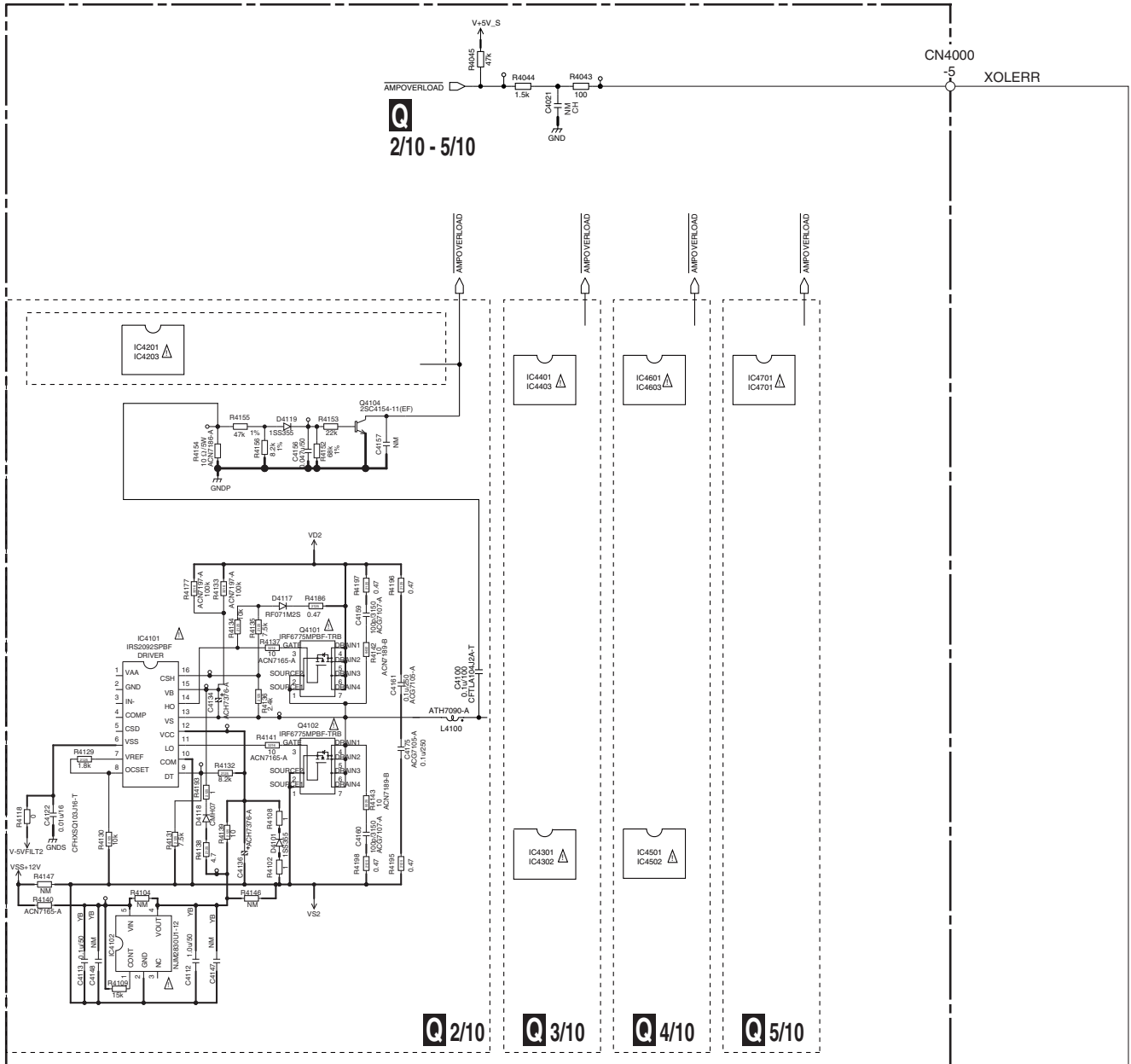
F

## U V-REG ASSY

## W CONNECT ASSY

Zobel Detection  
Over Current Detection of MOS FET in Output Stage

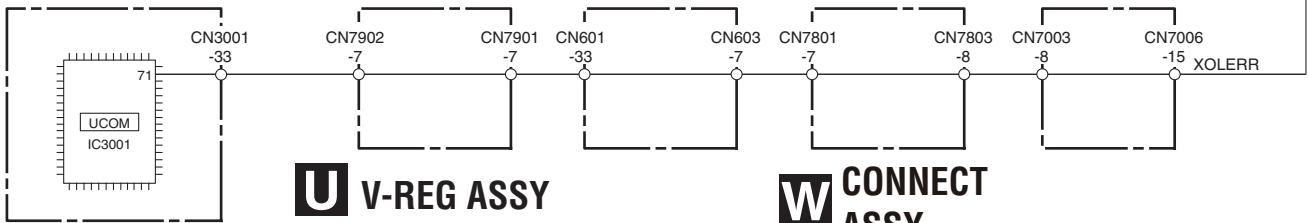
**Q** D-AMP\_S ASSY



**J** DISPLAY ASSY

**E** DIGITAL MAIN ASSY

**F** INTERFACE ASSY

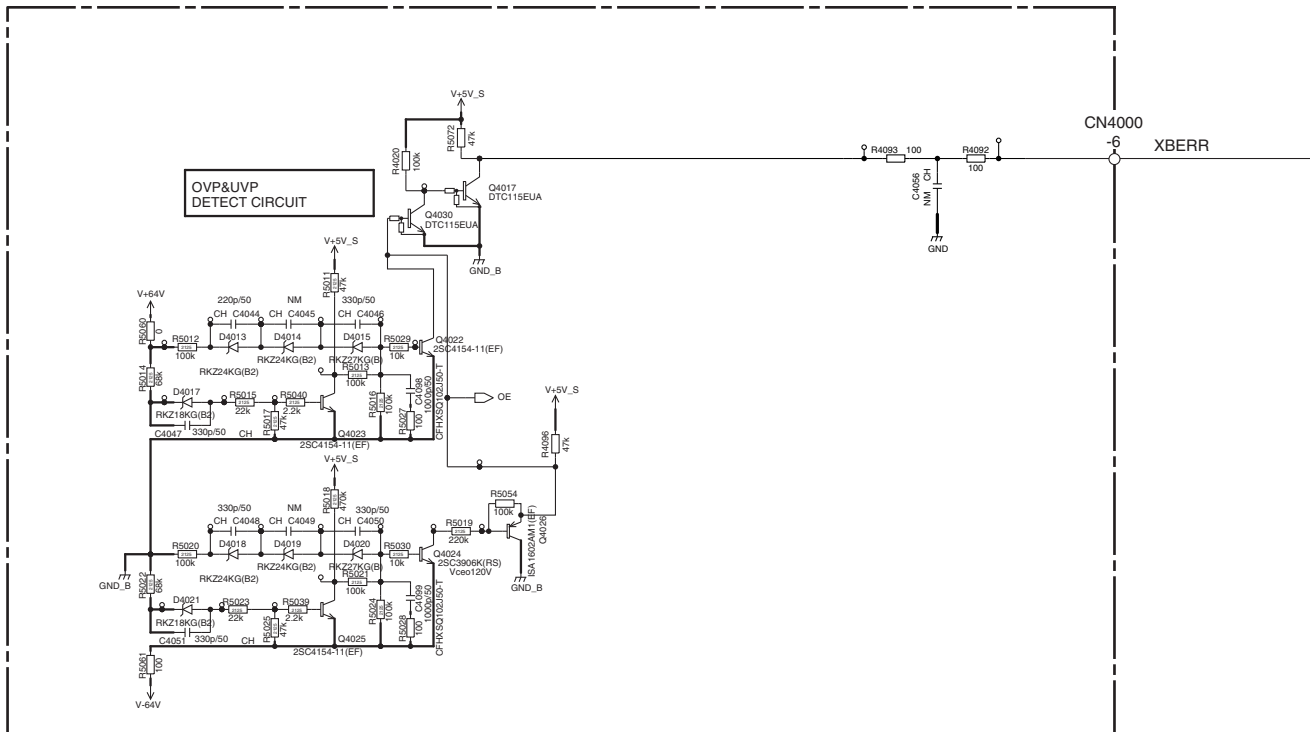


**U** V-REG ASSY

**W** CONNECT ASSY

### Amplifier Power Supply Failure Detection

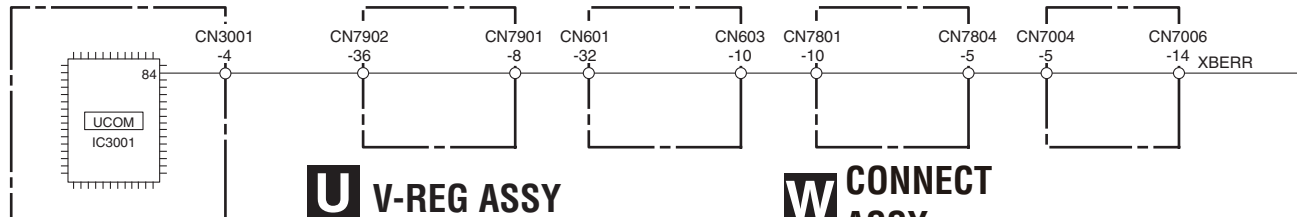
## Q D-AMP\_S ASSY



## J DISPLAY ASSY

## E DIGITAL MAIN ASSY

## F INTERFACE ASSY



## U V-REG ASSY

## W CONNECT ASSY

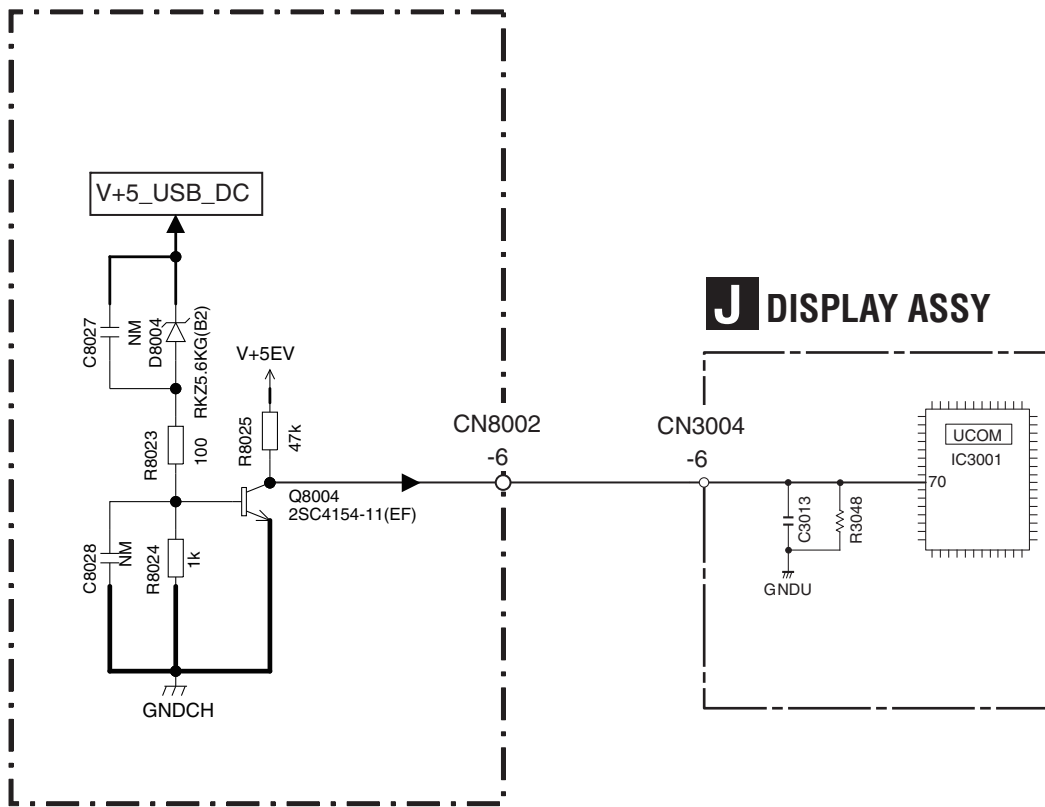


**[2] Protection Circuit Process List (XVDDERR)**

Item	Purpose	Detection Method	Status of Equipment	Warning Indication	Remarks
USB power failure detection	Detection of failure in regulator circuit for external supply	Detected when USB voltage reaches 7V or higher, or 4.1V or lower and XVDDERR port is set to "L"	Shuts down	Blinks iPod iPhone iPad LED	Restoration possible with Power ON

**XVDDERR Circuit**

**C FRONT HDMI USB ASSY**



**J DISPLAY ASSY**

### [3] Error Indications

FL Display	LED flashes	Status	Timing (sec.)	Description	Remarks
(1) Over Current	NA	When the overload USB device (over 500 mA) is connected.		The connected USB device is overload.	
(2) HDCP ERROR	NA	When an HDCP ERROR is detected.	Flashes 5 seconds		Warning indication for HDMI Simplay
(3) 12V TRG ERR	NA	When the 12V trigger circuit is short-circuited.	Flashes	The 12V trigger circuit is short-circuited, and a overcurrent is generated.	
(4) NA	NA	When the ANALOG INPUT OVER is detected.	Icon lights 1 second	While the Icon lights 1 second, when the ANALOG INPUT OVER is detected again, the Icon continues to light 1 second more from that time. While the Icon lights 1 second, when there is no ANALOG INPUT OVER detection, the Icon stops lighting and returns to normal display.	The Icon "OVER" lights
(5) NA	ADVANCED MCACC	When the B REG power supply failure is detected.		If abnormality voltage is detected in the B REG power supply circuit(XBERR), the unit power off immediately and the MCACC LED starts flashing. To restore the previous status, follow the procedure "How to Enter Release Mode".	
(6) NO ADAPTER	NA	When BT Adapter is not connected.	Lights	While the ADAPTER PORT function is selected, the BT Adapter is not connected.	
(7) NOT AVAILABLE	NA	Non-BT Adapter is connected.	Lights	While the ADAPTER PORT function is selected, the non-BT Adapter is connected.	
(8) WAITING DEVICE	NA	No wireless connection between BT source and AVR	Lights	While the ADAPTER PORT function is selected, there is no wireless connection between BT source equipment and AVR.	
(9) ADP OVERLOAD	NA	When overcurrent is detected in the Adapter port.	Lights	While the ADAPTER PORT function is selected, overcurrent is detected in the Adapter port, and Bluetooth function is not available.	
(10) WLAN POW ERR	NA	When power abnormality of wireless LAN converter is detected.	Flashes	Over-current status is generated at the power terminal of wireless LAN converter.	

	FL Display	LED flashes	Status	Timing (sec.)	Description	Remarks
(11)	UE11	NA	Update error of software for Event Ucom.	Flashing	Updating of Event Ucom was failed due to some reason such as AC OFF during updating. (The unit was starting up with old version)	Update Event Ucom again.
(12)	UE22	NA	Read error of DSP firmware.	Flashing	Updating of DSP firmware was failed due to some reason such as AC OFF during the updating. Or there's a possibility of communication error between DSP IC and flash ROM IC for DSP.	Update DSP firmware aging. If the error still remains after updating, replace DIGITAL MAIN ASSY.
(13)	UE33	NA	Read error of BridgeCo firmware.	Flashing	Updating of BridgeCo firmware was failed due to some reason such as AC OFF during the updating. Or there's a possibility of communication error between BridgeCo IC and flash ROM IC for BridgeCo.	Update DSP firmware aging. If the error still remains after updating, replace DIGITAL MAIN ASSY.

# 6. SERVICE MODE

## 6.1 TEST MODE

### [1] Detected protection history

#### [Purpose]

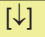

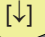

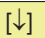

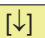

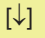

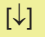

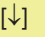

The numbers of detections for various protection processes are displayed.

#### [How to enter/exit]

Turn off the power to this unit by setting the main volume level to “---dB” and Multi-zone to “OFF”.

During Standby mode, simultaneously press and hold “MULTI-ZONE ON/OFF” and “ENTER” keys for 5 seconds to enter this mode.

#### [Basic operations]

Key operation	FL display
Display number of times DC is detected.  	DC : ***
Display number of times OVERLOAD is detected.  	OL : ***
Display number of times COMBINATION is detected. (Detects DC and OVERLOAD simultaneously)  	COM : ***
Display number of times FAN STOP is detected.  	FAN : ***
Display number of times AMP overheat is detected.  	STMP : ***
Display number of times Digital Power abnormality is detected.  	DERR : ***
Display number of times B REG power supply failure is detected.  	BERR : ***

#### Front Panel Key

- [↓] : TUNE Key
- [↑] : TUNE Key
- [←] : PRESET Key
- [→] : PRESET Key

Key operation	FL display
Resetting the number of times error is detected.	RESET ◀HOLD▶
↓	
↑	
Display accumulated time & RESET.	1 2 3 4 5 h 2 0 m ◀HLD▶
↓	
↑	
Display CEC(TEST) state.	CEC ◀OFF▶
↓	
↑	
Display FAN(TEST) state.	FAN ◀OFF▶
↓	
↑	
USB Backup state	USB BAK ◀HOLD▶
↓	
↑	
Display Model Name/Destination state.	SC - 63 / UXJCB
↓	
↑	
Change cyclically	

**[Description]**

CEC TEST : The function for making the HDMI output terminal to output 1 kHz square wave. If the square wave is output, the CEC line is considered to be normal.

FAN TEST : The function for making the FAN to be forced to rotate.

Resetting the number of times error is detected

Key operation	FL display
◀[←][→]▶	RESET ◀CLEAR?▶
[ENTER]	RESET ◀RESET▶
↓	Continued

Resetting the accumulated time

Key operation	FL display
◀[←][→]▶	1 2 3 4 5 h 2 0 m ◀CL?▶
[ENTER]	0 h 0 m ◀RST▶
↓	Continued

Display CEC(TEST) state.

Key operation	FL display
◀[←][→]▶	CEC ◀ON▶
↓	Change cyclically

Key operation	FL display
◀[←][→]▶	FAN ◀ON▶
↓	Change cyclically

Saving and Loading of USB backup state.

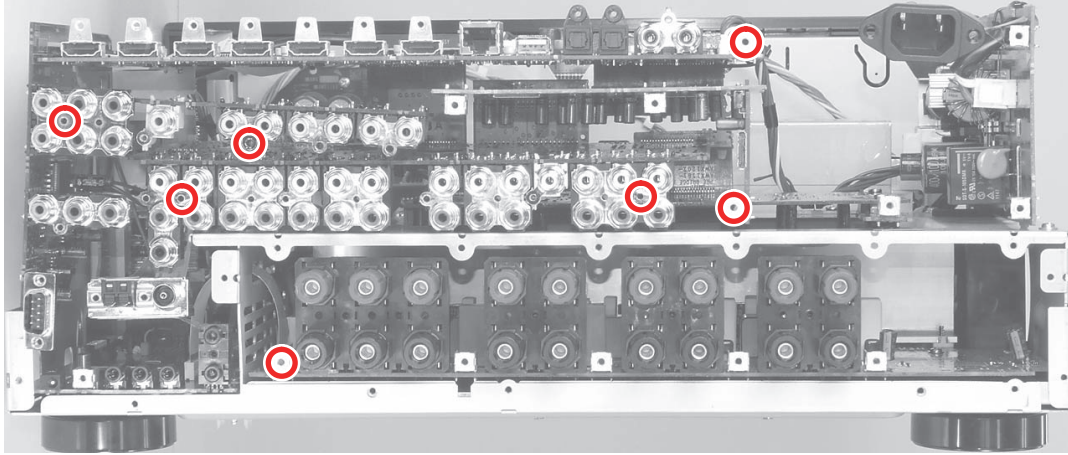
Key operation	FL display
◀[←][→]▶	(A/V Receiver → USB) USB BAK ◀SAVE?▶
◀[←][→]▶	(USB → A/V Receiver) USB BAK ◀LOAD?▶
↓	Change cyclically

Key operation	FL display
[ENTER]	PLEASE WAIT
↓	SAVE or LOAD is completed.
↓ 5 sec	Power OFF (All zone OFF)
	COMPLETE

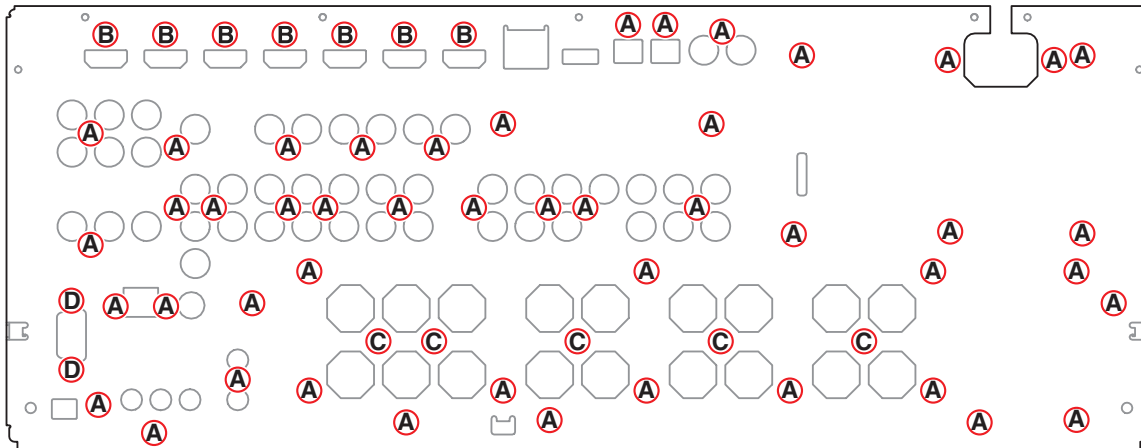
# 7. DISASSEMBLY

## Ground Points

**Note:**  
 The points marked below must be grounded when the Rear Panel is removed.  
 Before turning the unit ON, be sure to ground the marked points with the Chassis 65. Or, you may short-circuit the ground points on the solder surface, using pieces of wire.



## Screws for Rear Panel



**Note :**

- (1) Even if the unit shown in the photos and illustrations in this manual may differ from your product, the procedures described here are common.
- (2) For performing the diagnosis shown below, the following jigs for service is required.
  - 39P FFC (GGD1681)
  - 15P FFC (GGD1680)
  - 20P + 14P board to board extension jig cable (GGD1798)
  - 19P board to board extension jig cable (GGD1808)
  - 5P PH Housing ASSY (GGD1594)
  - 4P PH Housing ASSY (GGD1809)
  - 23P + 23P board to board extension jig cable (GGD1804)
  - 23P board to board extension jig cable (GGD1805)
  - 27P board to board extension jig cable (GGD1799)
  - 23P + 13P board to board extension jig cable (GGD1807)
  - 28P + 14P board to board extension jig cable (GGD1763)
- (3) **Before starting the diagnosis, wait for three minutes until the electricity of the unit is discharged.**

**Disassembly****[1] Front Section**

Remove the Bonnet 65 by removing the 18 screws.

**Notes on assembling as to the Bonnet 65**

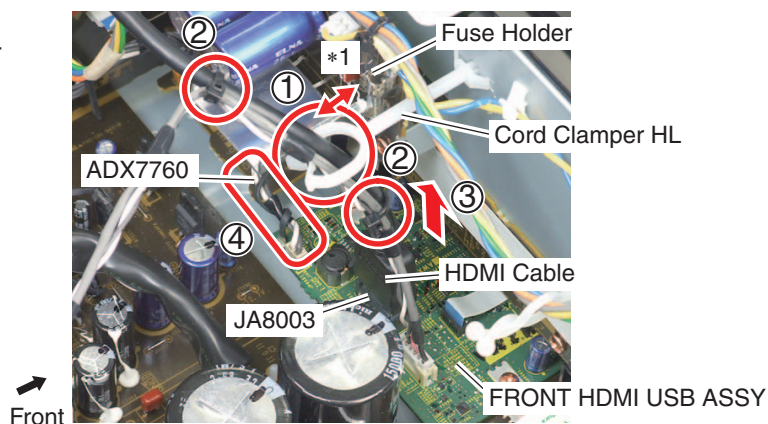
Tighten screw from the location \*1 on the picture.

**[1-1] Front Section**

- (1) Release the cables from the Cord Clamper HL.
- (2) Cut the two Binders.
- (3) Disconnect the connector.
- (4) Release the cable from the PCB binder.

**Notes on assembling**

\*1: Doesn't touch the cables to the Fuse Holder.

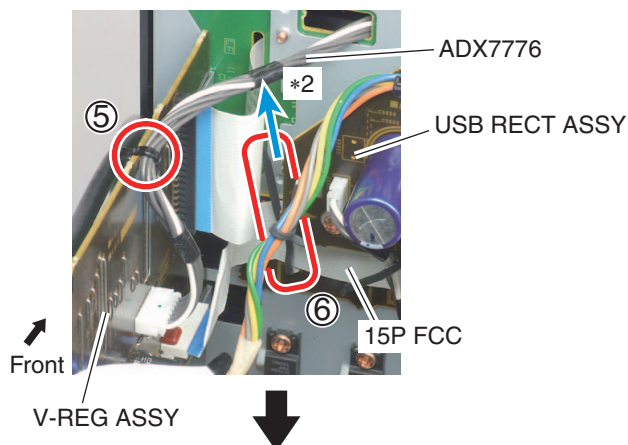


Front

- (5) Cut the Binder.
- (6) Release the 15P FCC (ADD7765) from the PCB binder.

**Notes on assembling**

\*2: PCB binder tilt in the direction of the blue arrow.



Front

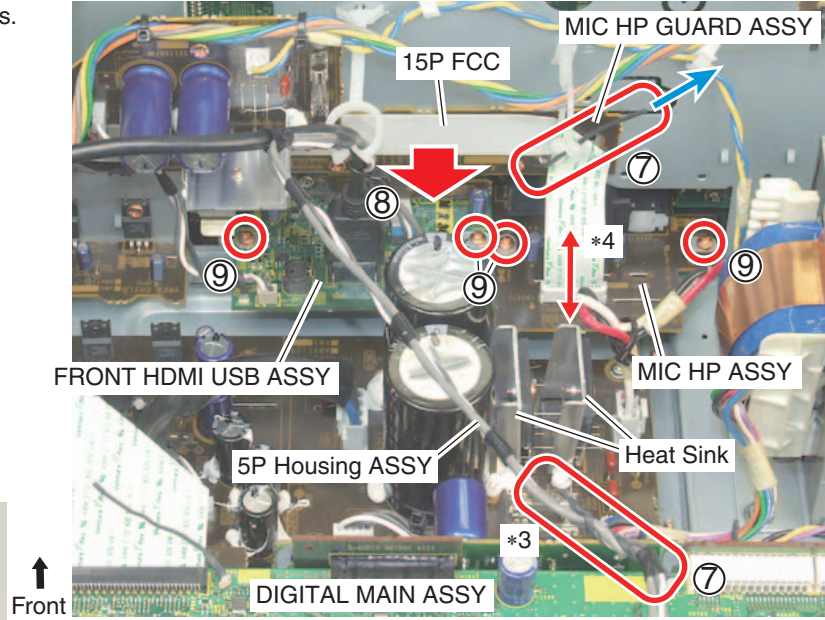
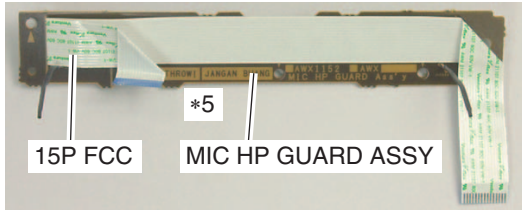


- (7) Release the cables from the two PCB binders.
- (8) Remove the 15P FCC (ADD7765) from the MIC HP GUARD ASSY.
- (9) Remove the four screws.  
( SC-63 only : BBZ30P060FCC )  
( Except SC-63: BBZ30P080FCC )

**Note:** 15P FCC (ADD7765) is affixed with the Double Side Tape (10 x 110mm).

**Notes on assembling**

- \*3: Twist the PCB binder around the 5P Housing ASSY (ADX7789) so that it don't contact the PCB and the Bonnet 65.
- \*4: PCB binder tilt in the direction of the blue arrow. Don't touch the 15P FCC (ADD7765) to the Heat Sinks.
- \*5: How to bend the 15P FCC (ADD7765).

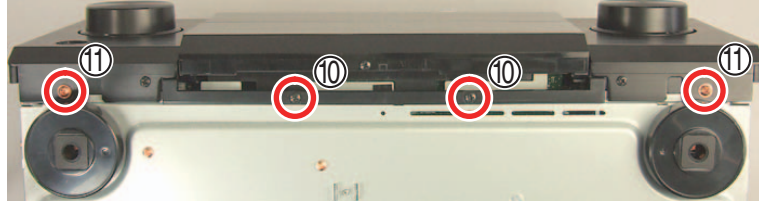
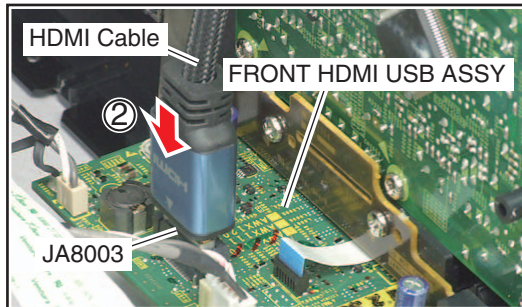
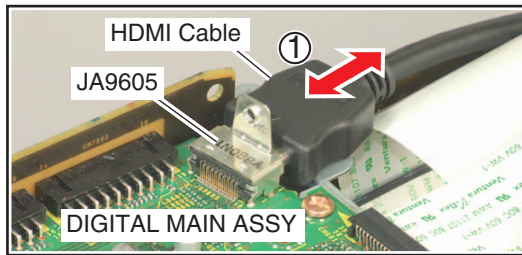


- (10) Remove the two screws. (BBZ30P080FTB)
- (11) Remove the two screws.  
( SC-63 only : ABA1193 )  
( Except SC-63: BBZ30P080FTB )
- (12) Remove the three screws.  
( SC-63 only : BBT30P080FCC )  
( Except SC-63: BBZ30P080FCC )
- (13) Unhook the two hooks.
- (14) Remove the Front Section.

**[1-2] Diagnosis**

- (1) Remove the HDMI Cable (ADX7777) by disconnect the connector, and then connect the another normal HDMI Cable.
- (2) Connect the another normal HDMI Cable from the DIGITAL MAIN ASSY.

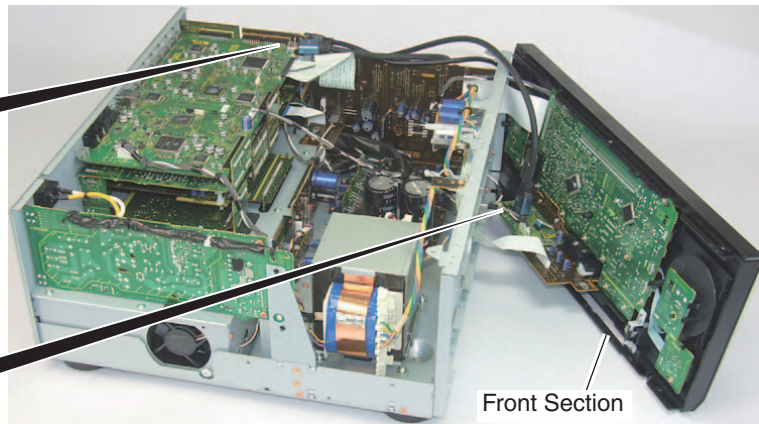
Arrange the unit as shown in the photo.



• Bottom View



• Top View

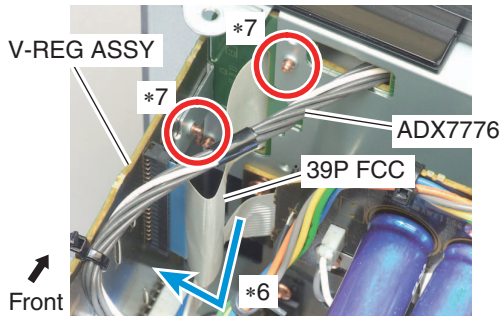


**Note:** Always connect the HDMI Cable because the iPod iPhone iPad LED blinks, which causes a shutdown, if the power is turned on without the cable connected.

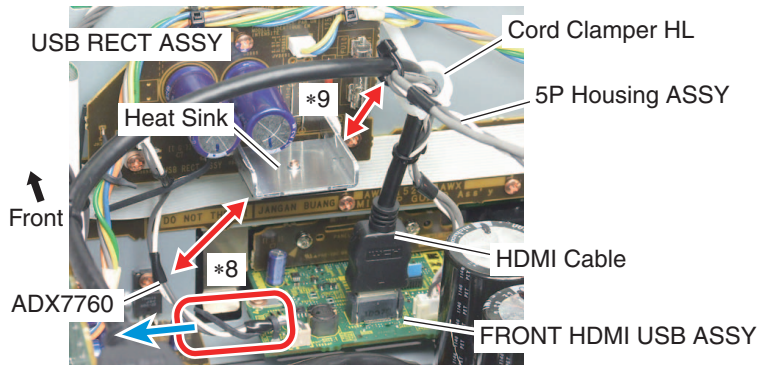


**Notes on assembling**

- \*6: Bend the 39P FCC. (ADD7753)
- \*7: Doesn't touch the cables to a top of screws.



- \*8: Twist the PCB binder around the 2P Housing ASSY (ADX7760) and tilt in the direction of the blue arrow, so that it don't contact the Heat Sink.
- \*9: Doesn't touch the cables to the Heat Sink.



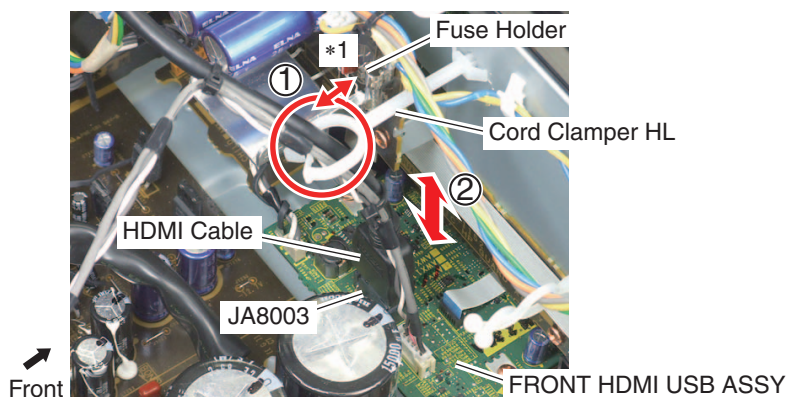
**[2] Rear Section**

Remove the Bonnet 65 by removing the 18 screws.

**[2-1] Rear Section**

- (1) Release the cables from the Cord Clamper HL.
- (2) Remove the HDMI Cable (ADX7777) by disconnect the connector, and then connect the another normal HDMI Cable.

**Note:** Don't connect the HDMI Cable provided with the product to prevent damage to the HDMI connector for the DIGITAL MAIN ASSY. Instead, use the another normal HDMI Cable to prevent a load from being applied to the HDMI connector. Always connect the HDMI Cable because the iPod iPhone iPad LED blinks, which causes a shutdown, if the power is turned on without the cable connected.



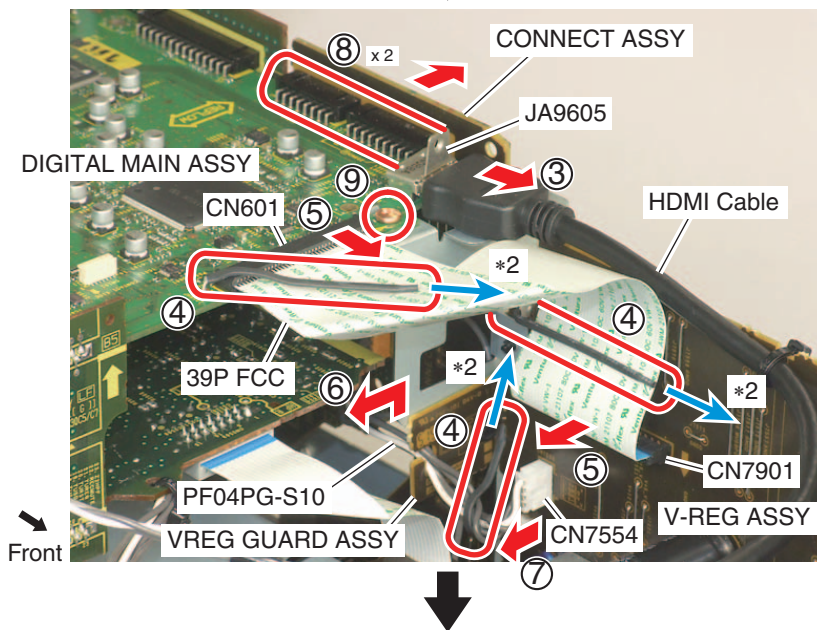
**Notes on assembling**

- \*1: Doesn't touch the cables to the Fuse Holder.

- (3) Disconnect the connector.
- (4) Release the cables from the PCB binders.
- (5) Remove the 39P FCC (ADD7746) by disconnect the two connectors.
- (6) Release the cable (PF04PG-S10) from hook of the VREG GUARD ASSY.
- (7) Disconnect the connector.
- (8) Disconnect the two connectors.
- (9) Remove the screw. (BBZ30P060FCC)

**Notes on assembling**

- \*2: PCB binder tilt in the direction of the blue arrow. Doesn't touch the other cables.

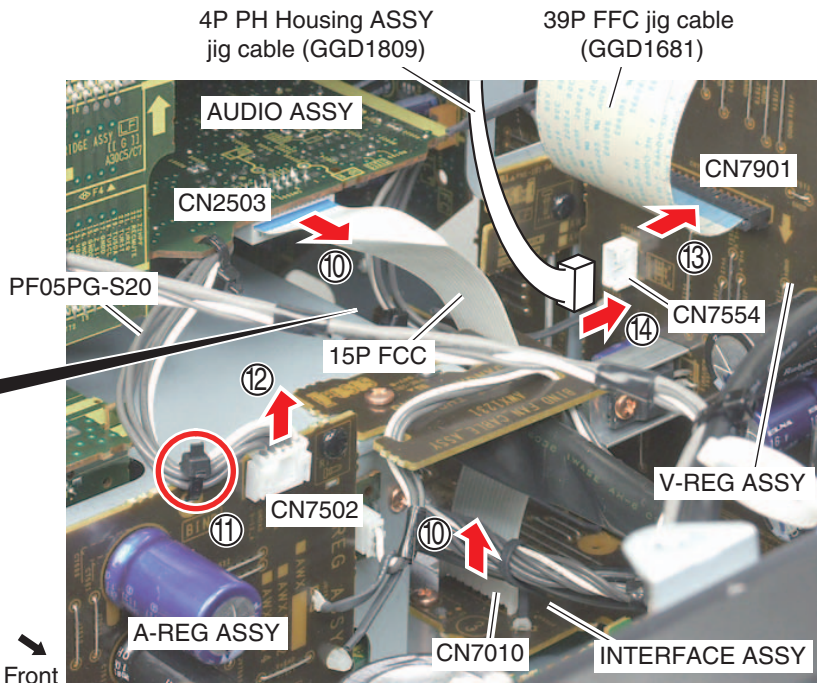
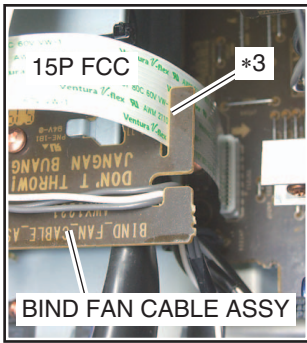




- (10) Remove the 15P FFC (ADD7764) by disconnect the two connectors.
- (11) Cut the Binder.
- (12) Disconnect the connector.
- (13) Connect the 39P FFC jig cable. (GGD1681)
- (14) Connect the 4P PH Housing ASSY jig cable. (GGD1809).

**Note on assembling**

\*3: 15P FFC (ADD7764) pass to the slit of the BIND FAN CABLE ASSY. Doesn't touch the other cables.



- (15) Remove the PRE BRIDGE ASSY.
- (16) Release the 5P Housing ASSY (ADX7789) from the PCB binder.
- (17) Release the cable (ADX7792) from the PCB binder.

**Note on assembling**

\*4: Twist the PCB binder around the 5P Housing ASSY (ADX7789) so that it don't contact the Bonnet 65.

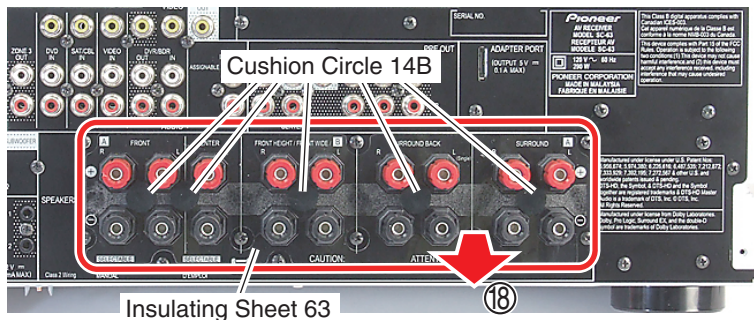
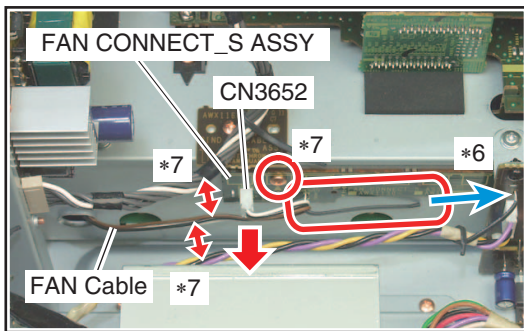
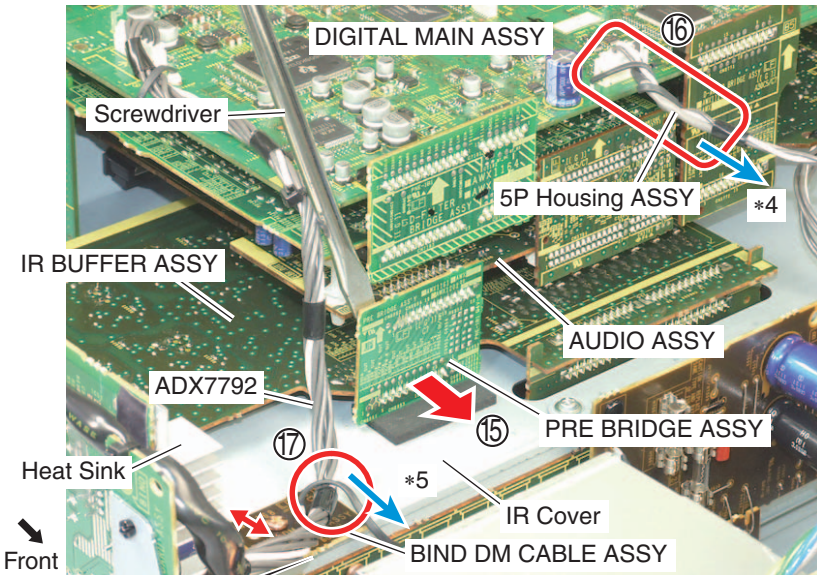
\*5: PCB binder tilt in the direction of the blue arrow. Don't touch the cable (ADX7792) to the Heat Sink and the IR Cover.

**Note:** When diagnosing, it is not necessary to connect FAN Cable (FAN CONNECT\_S ASSY: CN3652).

**Notes on assembling**

\*6: PCB binder tilt in the direction of the blue arrow.

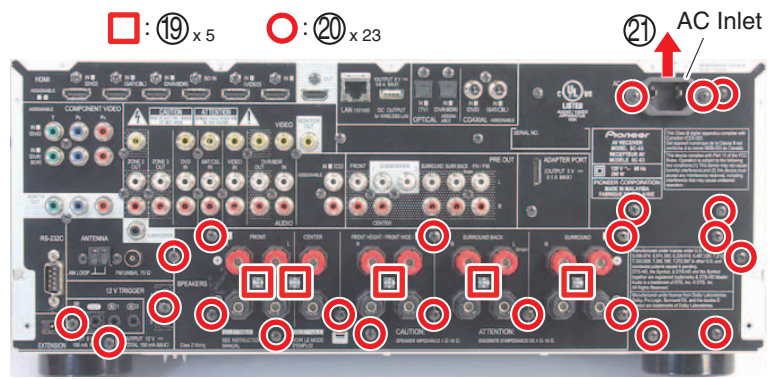
\*7: Don't touch the FAN Cable to the other cables and screw.



- (18) Remove the Insulating Sheet 63 (with the Cushion Circle 14B).



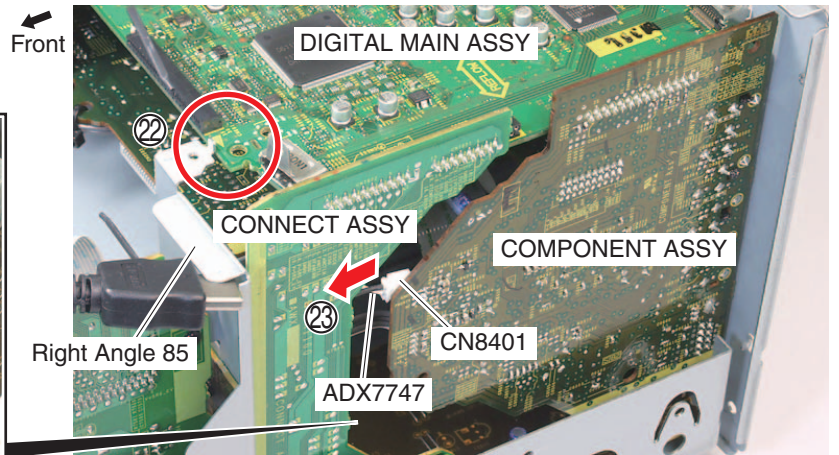
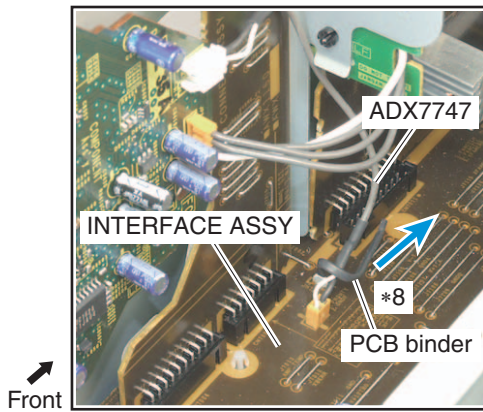
- (19) Remove the five screws. (BPZ30P100FTC)
- (20) Remove the 23 screws. (BBZ30P080FTB)
- (21) Remove the AC Inlet.



- (22) Unhook the hook.
- (23) Disconnect the connector.

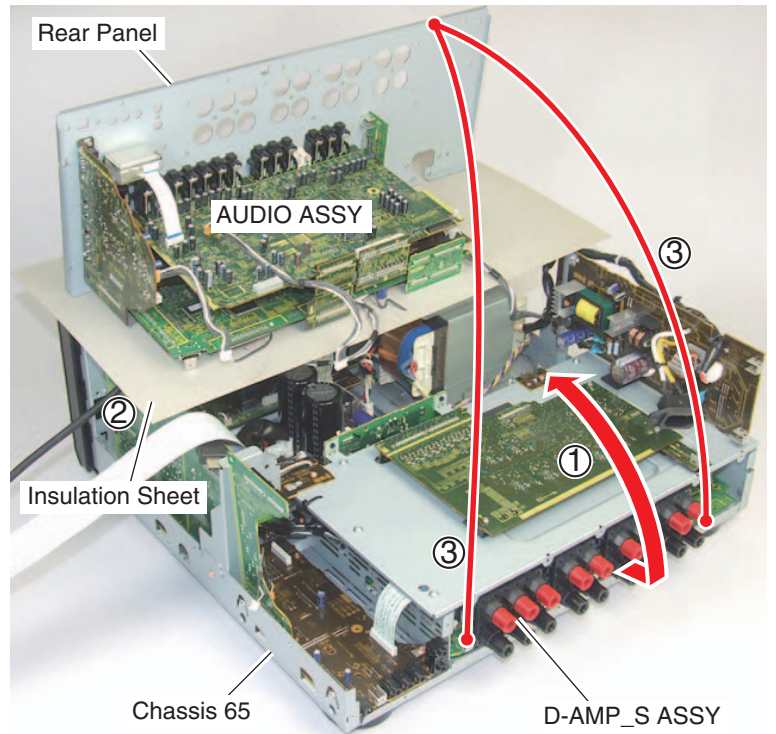
**Note on assembling**

\*8: PCB binder tilt in the direction of the blue arrow. Bind the cable (ADX7747: from the INTERFACE ASSY).

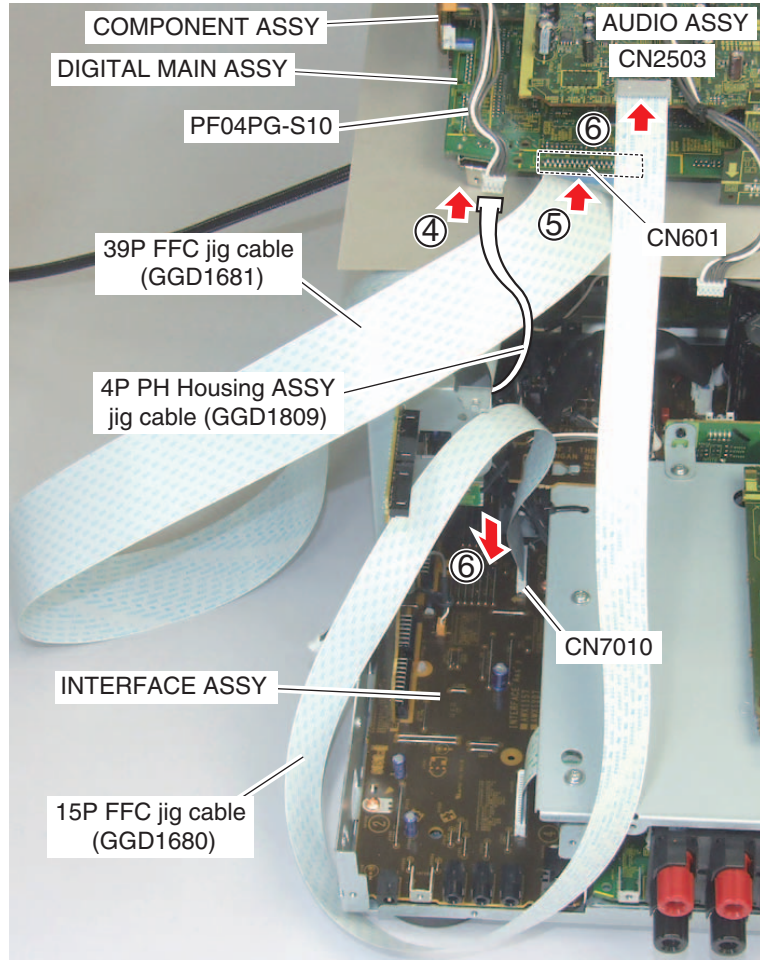


**[2-2] Diagnosis**

- (1) Arrange the unit as shown in the photo.
  - (2) Insert the Insulation Sheet.
  - (3) Connect the Rear Panel to the Chassis 65 Ground and GND point of the D-AMP\_S ASSY.
- (Refer to the "Ground Points" for the GND point of the D-AMP\_S ASSY.)

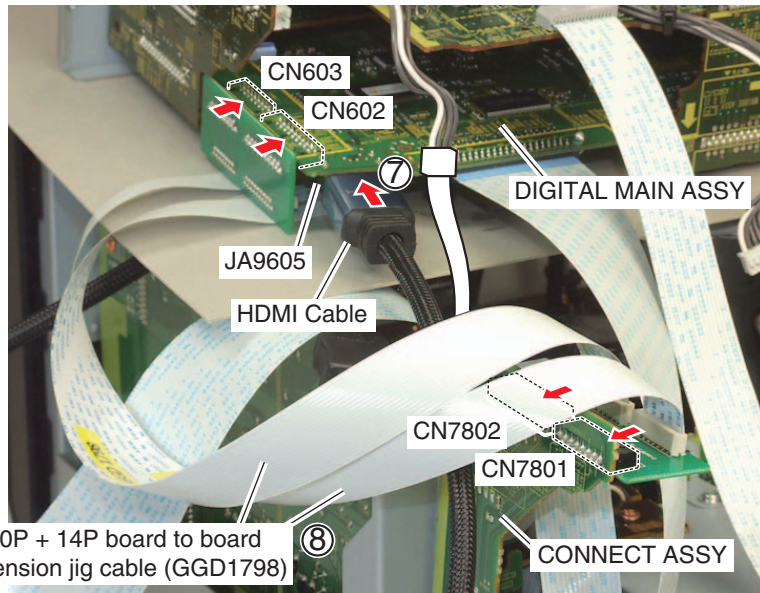


- (4) Connect the 4P PH Housing ASSY jig cable. (GGD1809)  
(V-REG CN7554 <-> COMPONENT PF04PG-S10)
- (5) Connect the 39P FCC jig cable. (GGD1681)  
(V-REG CN7901 <-> DIGITAL MAIN CN601)
- (6) Connect the 15P FCC jig cable. (GGD1680)  
(INTERFACE CN7010 <-> AUDIO CN2503)



- (7) Connect the another normal HDMI Cable from the FRONT HDMI USB ASSY.

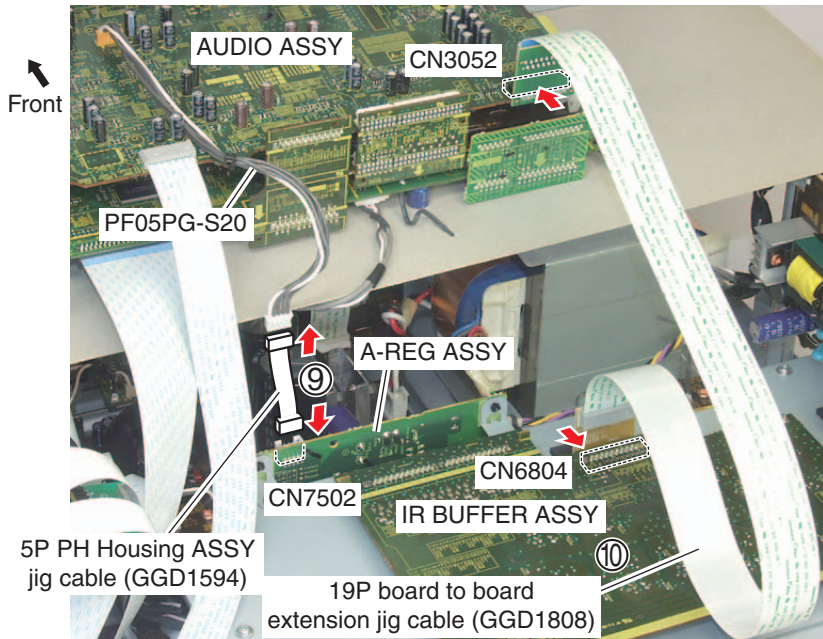
**Note:** Don't connect the HDMI Cable (ADX7777) provided with the product to prevent damage to the HDMI connector. Instead, use the another normal HDMI Cable to prevent a load from being applied to the HDMI connector.  
Always connect the HDMI Cable because the iPod iPhone iPad LED blinks, which causes a shutdown, if the power is turned on without the cable connected.



- (8) Connect the two pair board to board extension jig cables. (GGD1798)  
(DIGITAL MAIN CN602 <-> CONNECT CN7802)  
(DIGITAL MAIN CN603 <-> CONNECT CN7801)



- (9) Connect the 5P PH Housing ASSY jig cable. (GGD1594)  
(A-REG CN7502 <-> AUDIO PF05PG-S20)
- (10) Connect the 19P board to board extension jig cable. (GGD1808)  
(IR BUFFER CN6804 <-> AUDIO CN3052)

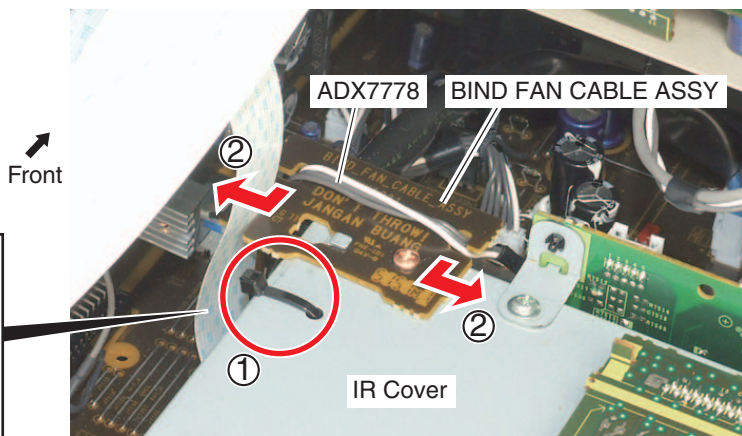
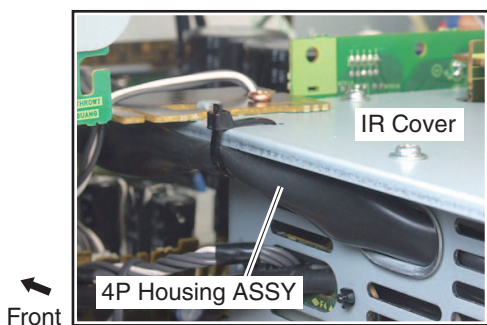


**[3] D-AMP\_S ASSY**

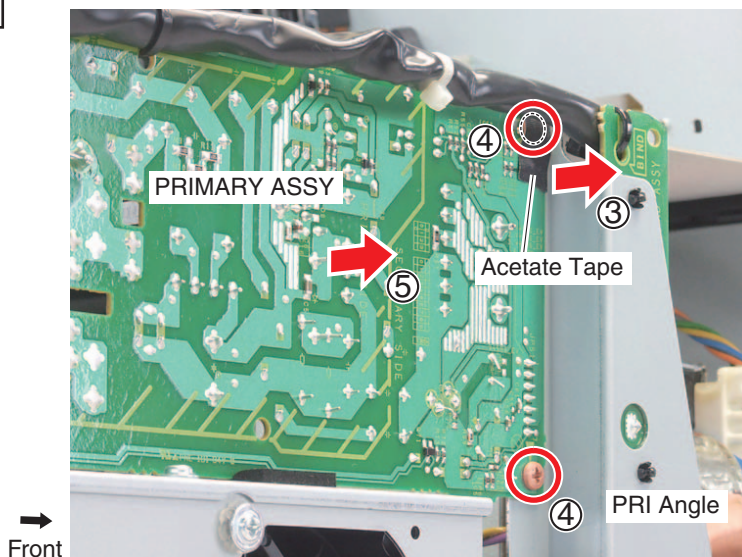
Remove the Rear Section.  
(Refer to the “[2-1] Rear Section” and the steps (1) to (9) of “[2-2] Diagnosis”.)

**[3-1] Remove the IR Cover**

- (1) Cut the Binder.
- (2) Release the cable (ADX7778) from hook of the BIND FAN CABLE ASSY.



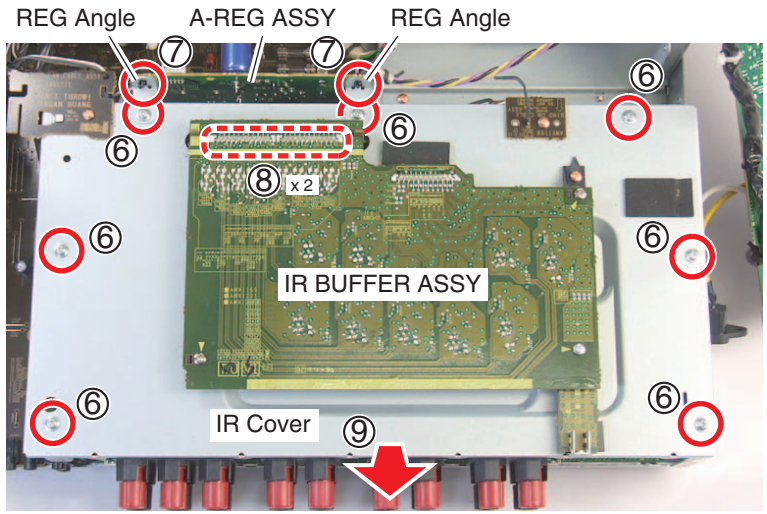
- (3) Remove the Acetate Tape.
- (4) Remove the two screws. (BSZ30P060FCC)
- (5) Remove the PRIMARY ASSY



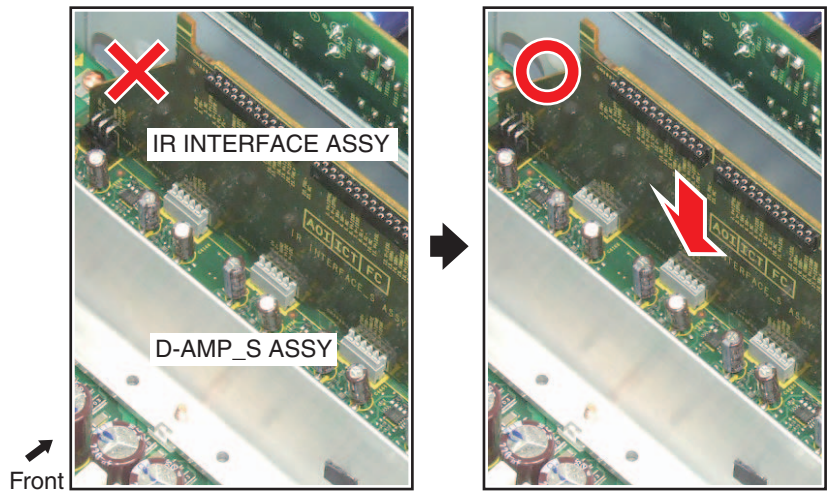
- (6) Remove the seven screws. (AMZ30P060FTC)
- (7) Remove the two Nylon Rivets (AEC7406) and the two REG Angles.
- (8) Disconnect the two connectors.
- (9) Remove the IR Cover.

**Note on assembling :**

To attach the IR Cover in the correct position, refer to the "[2] Attach the IR Cover" of "Assembling of Digital Amplifier Block".

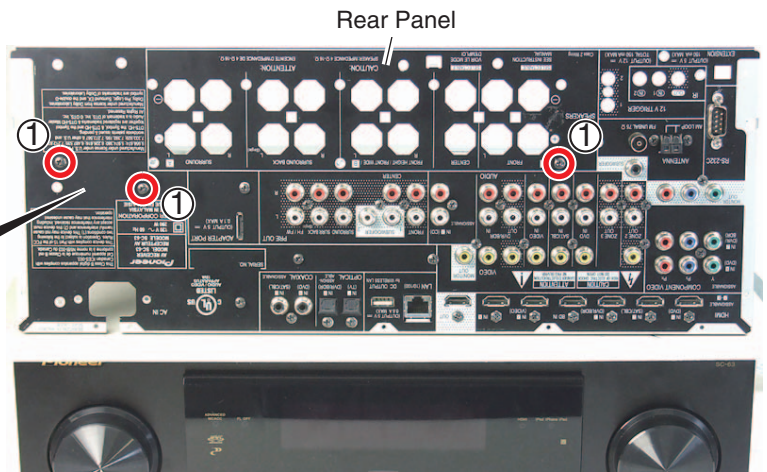
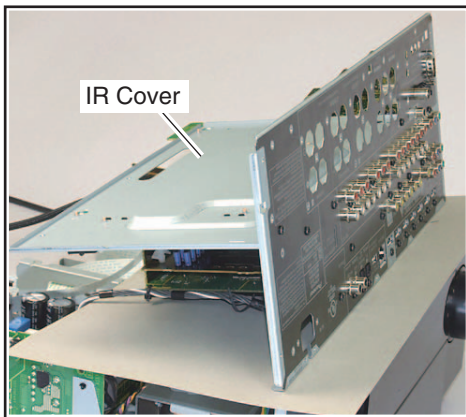


**Note:** If the IR BUFFER ASSY is removed, the connectors of IR INTERFACE ASSY may be loosened. Attach the connectors securely.



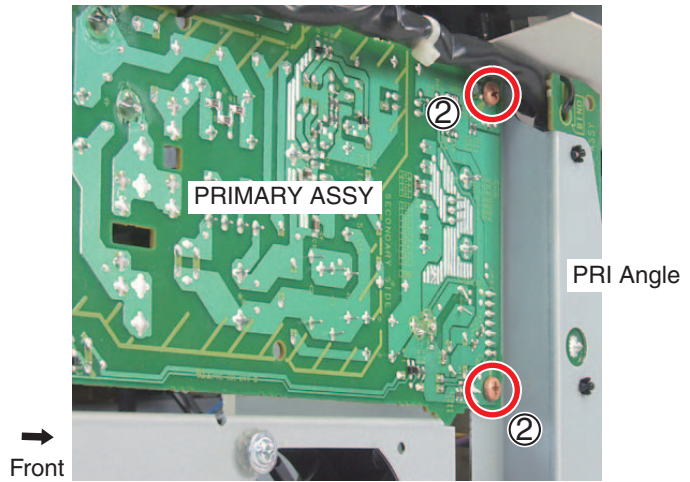
**[3-2] Diagnosis**

- (1) Temporarily attach the IR Cover to the Rear Panel, using the three screws. (BBZ30P080FTB)

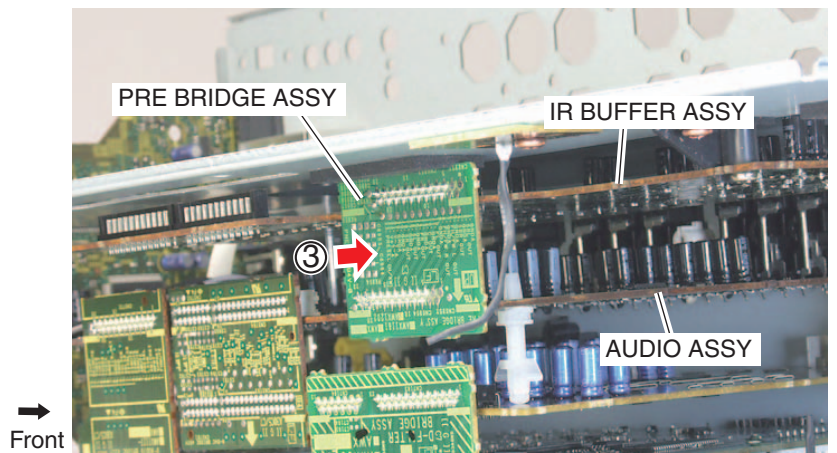




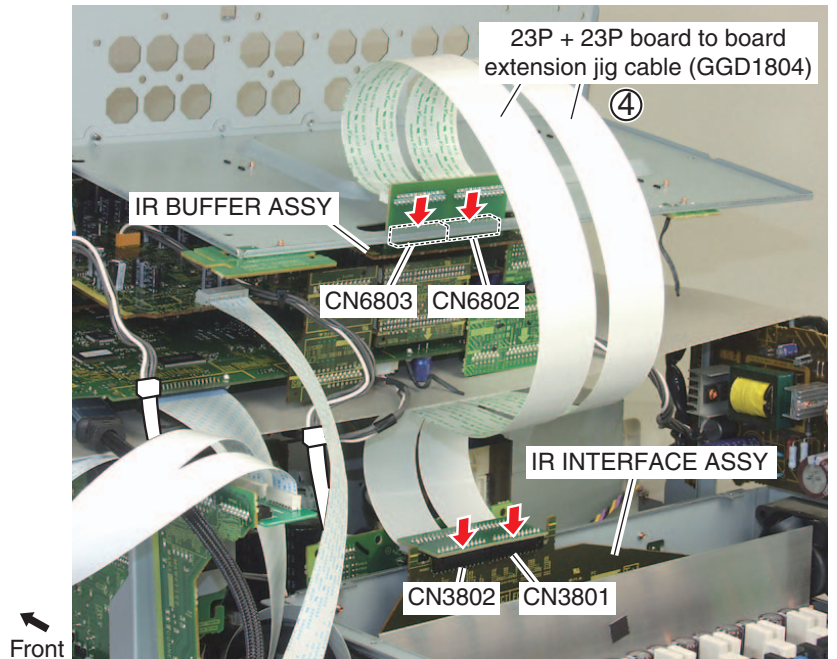
- (2) Attach the PRIMARY ASSY, using the two screws. (BSZ30P060FCC)



- (3) Attach the PRE BRIDGE ASSY.

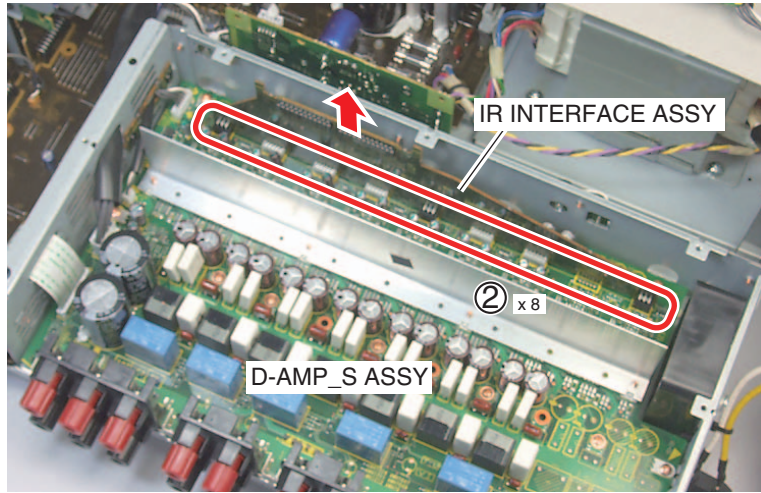


- (4) Connect the two pair board to board extension jig cables. (GGD1804)  
 (IR BUFFER CN6803 <-> IR INTERFACE CN3802)  
 (IR BUFFER CN6802 <-> IR INTERFACE CN3801)



**[3-3] Remove the D-AMP\_S ASSY**

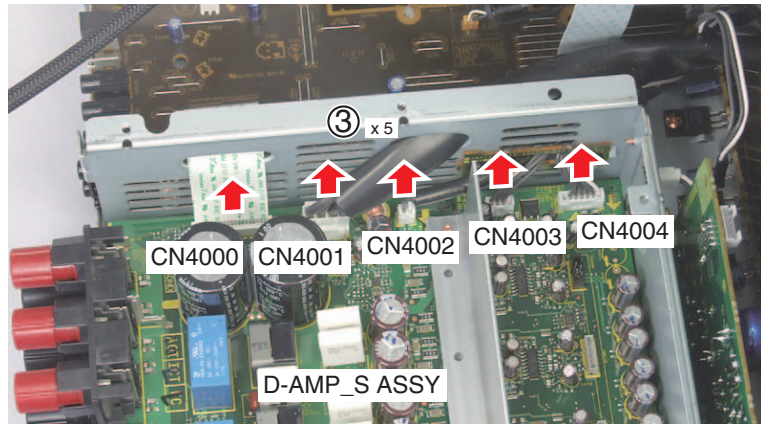
- A (1) Remove the two pair board to board extension jig cables (GGD1804) and the PRIMARY ASSY.  
(Refer to the step (4) and (2) of "[3-2] Diagnosis".
- (2) Remove the IR INTERFACE ASSY.



B

■

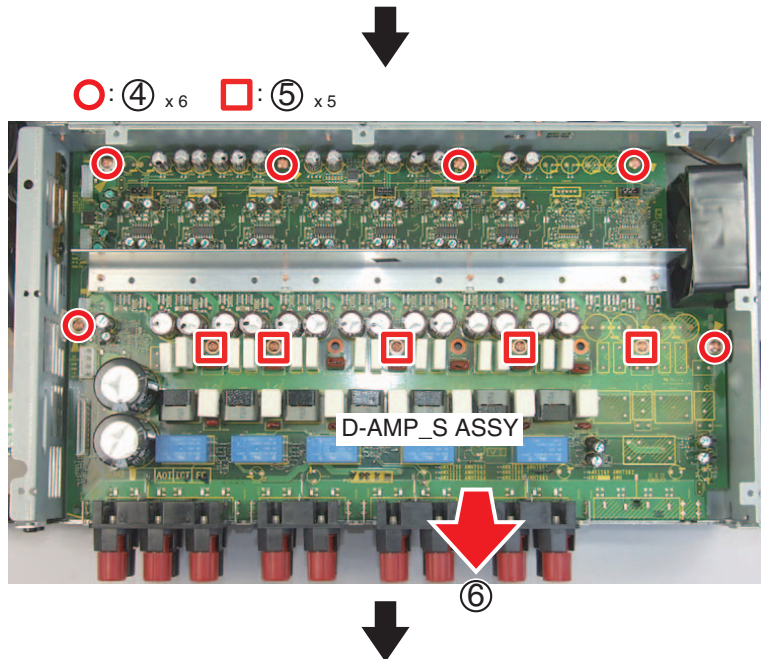
- C (3) Disconnect the five connectors.



D

■

- (4) Remove the six screws. (BBZ30P060FCC)
- (5) Remove the five screws. (IBZ30P150FCC)
- (6) Remove the D-AMP\_S ASSY.



E

■

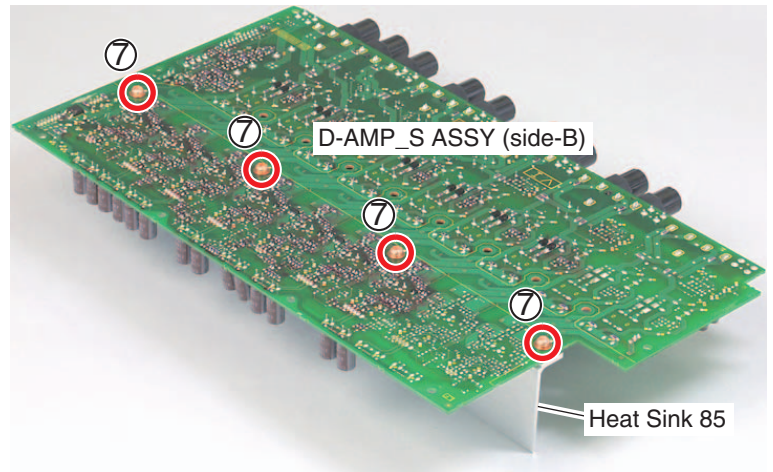
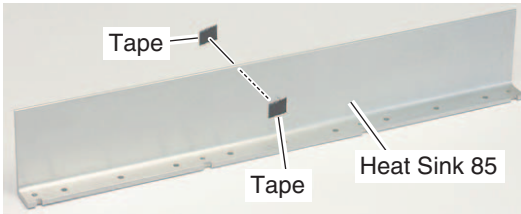
F

■



- (7) Remove the four screws. (ABA1052)
- (8) Remove the Heat Sink 85 with side-A of the D-AMP\_S ASSY facing upward.

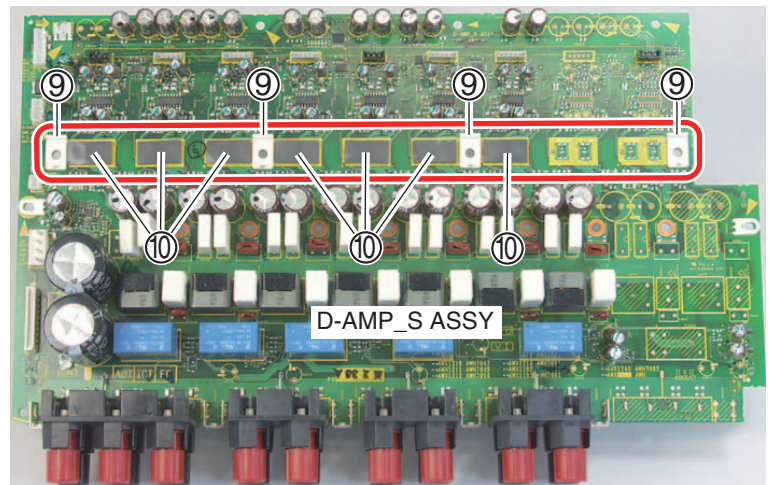
**Note:** When replacing the Heat Sink 85, attach the Tape in the center of each side.



- (9) Remove the four Heat Sink Spacers.
- (10) Remove the seven Heat Cond Sheets.

**Note on assembling :**

To attach the D-AMP\_S ASSY in the correct position, refer to the “[1] Attach the D-AMP\_S ASSY” of “Assembling of Digital Amplifier Block”.



#### [4] DIGITAL MAIN ASSY

Remove the Bonnet 65 by removing the 18 screws.

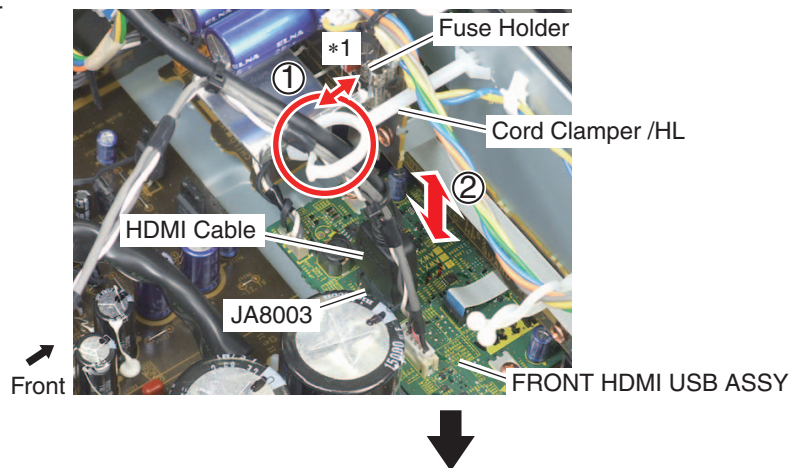
##### [4-1] DIGITAL MAIN ASSY

- (1) Release the cables from the Cord Clamper HL.
- (2) Remove the HDMI Cable (ADX7777) by disconnect the connector, and then connect the another normal HDMI Cable.

**Note:** Don't connect the HDMI Cable provided with the product to prevent damage to the HDMI connector for the DIGITAL MAIN ASSY. Instead, use the another normal HDMI Cable to prevent a load from being applied to the HDMI connector. Always connect the HDMI Cable because the iPod iPhone iPad LED blinks, which causes a shutdown, if the power is turned on without the cable connected.

**Notes on assembling**

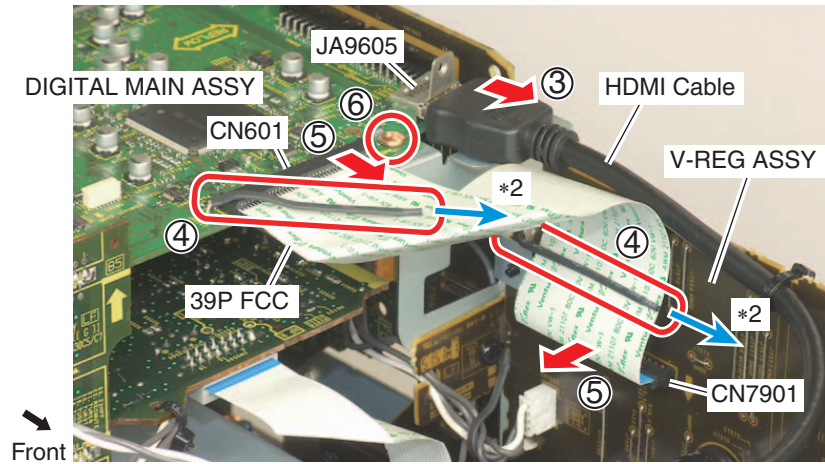
\*1: Don't touch the cables to the Fuse Holder.



- (3) Disconnect the connector.
- (4) Release the 39P FFC (ADD7746) from the two PCB binders.
- (5) Remove the 39P FFC (ADD7746) by disconnect the two connectors.
- (6) Remove the screw. (BBZ30P060FCC)

**Notes on assembling**

\*2: PCB binder tilt in the direction of the blue arrow. Doesn't touch the other cables.

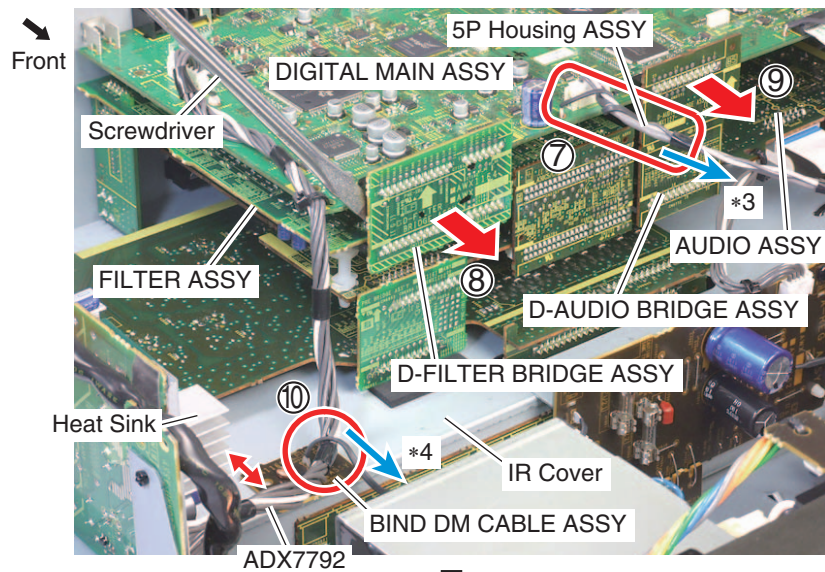


- (7) Release the 5P Housing ASSY (ADX7789) from the PCB Binder.
- (8) Remove the D-FILTER BRIDGE ASSY.
- (9) Remove the D-AUDIO BRIDGE ASSY.
- (10) Release the cable (ADX7792) from the PCB binder.

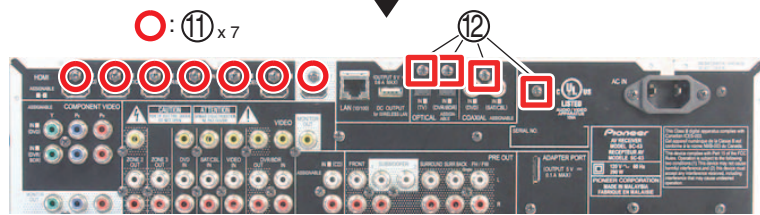
**Note on assembling**

\*3: Twist the PCB binder around the 5P Housing ASSY (ADX7789) so that it don't contact the Bonnet 65.

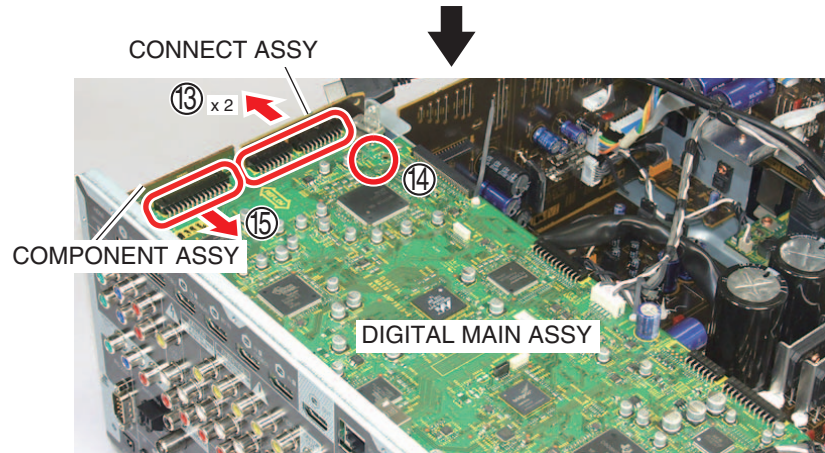
\*4: PCB binder tilt in the direction of the blue arrow. Don't touch the cable (ADD7792) to the Heat Sink and the IR Cover.



- (11) Remove the seven screws. (BMZ30P040FTB)
- (12) Remove the four screws. (BBZ30P080FTB)



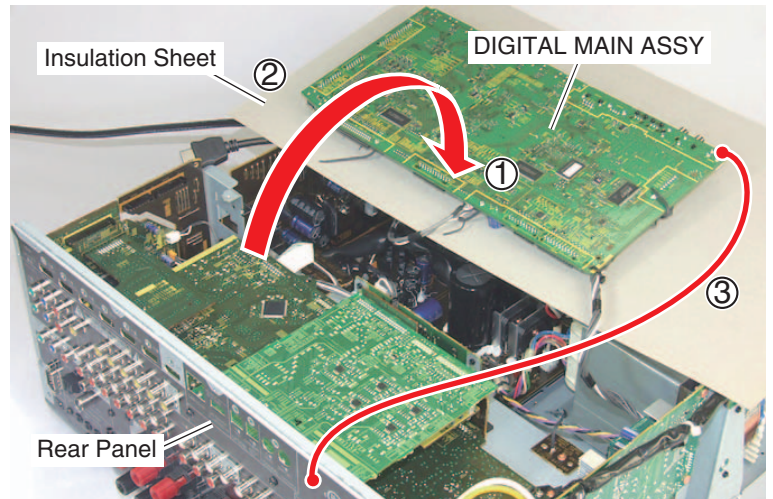
- (13) Disconnect the two connectors.
- (14) Unhook the hook.
- (15) Disconnect the connector and then remove the DIGITAL MAIN ASSY.





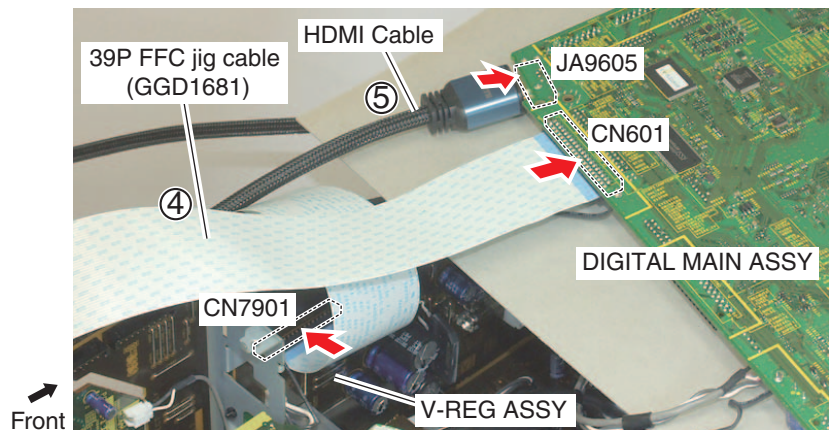
#### [4-2] Diagnosis

- (1) Arrange the DIGITAL MAIN ASSY as shown in the photo.
- (2) Insert the Insulation Sheet.
- (3) Connect the DIGITAL MAIN ASSY to the Rear Panel Ground.  
(Refer to the “Ground points.”)

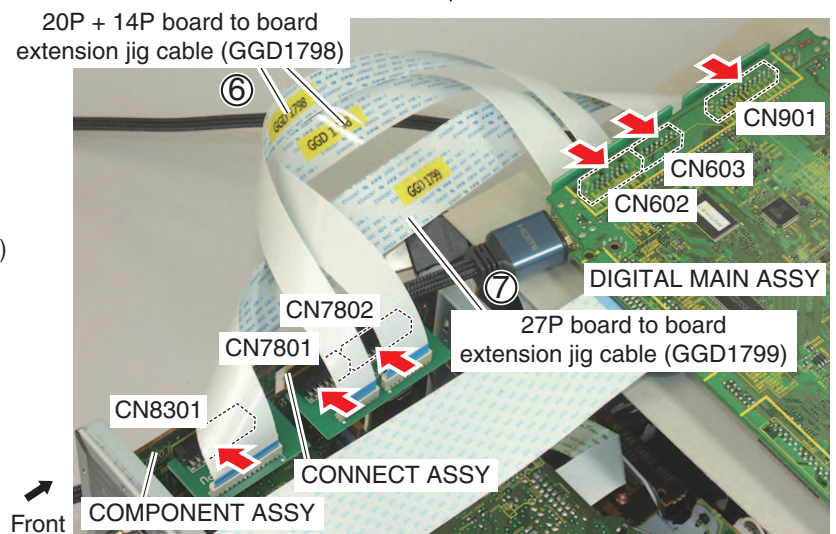


- (4) Connect the 39P FCC jig cable. (GGD1681)  
(V-REG CN7901 <-> DIGITAL MAIN CN601)
- (5) Connect the another normal HDMI Cable from the FRONT HDMI USB ASSY.

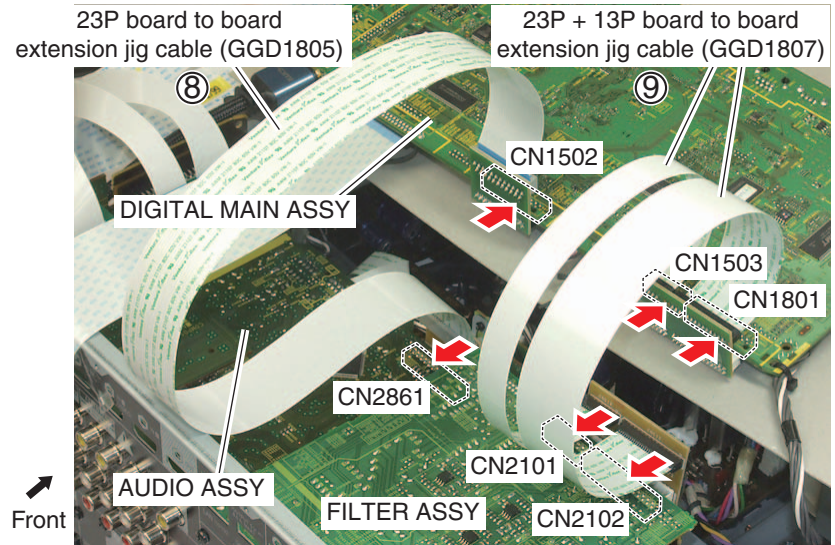
**Note:** Don't connect the HDMI Cable (ADX7777) provided with the product to prevent damage to the HDMI connector. Instead, use the another normal HDMI Cable to prevent a load from being applied to the HDMI connector.  
Always connect the HDMI Cable because the iPod iPhone iPad LED blinks, which causes a shutdown, if the power is turned on without the cable connected.



- (6) Connect the two pair board to board extension jig cables. (GGD1798)  
(DIGITAL MAIN CN602 <-> CONNECT CN7802)  
(DIGITAL MAIN CN603 <-> CONNECT CN7801)
- (7) Connect the 27P board to board extension jig cable. (GGD1799)  
(COMPONENT CN8301 <-> DIGITAL MAIN CN901)



- (8) Connect the 23P board to board extension jig cable. (GGD1805)  
(AUDIO CN2861 <-> DIGITAL MAIN CN1502)
- (9) Connect the two pair board to board extension jig cables. (GGD1807)  
(FILTER CN2101 <-> DIGITAL MAIN CN1503)  
(FILTER CN2102 <-> DIGITAL MAIN CN1801)

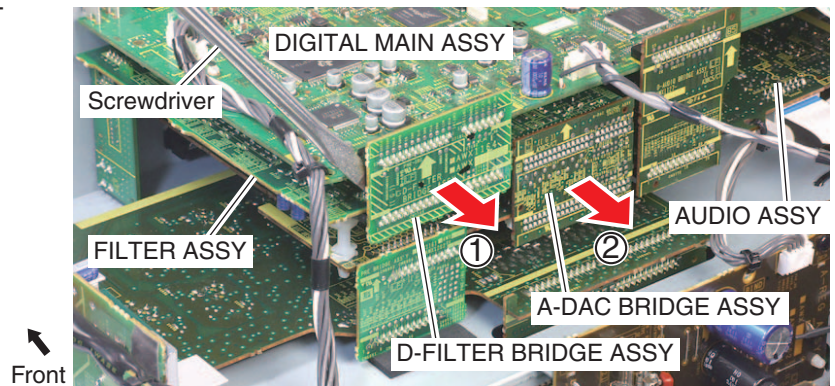


**[5] FILTER ASSY**

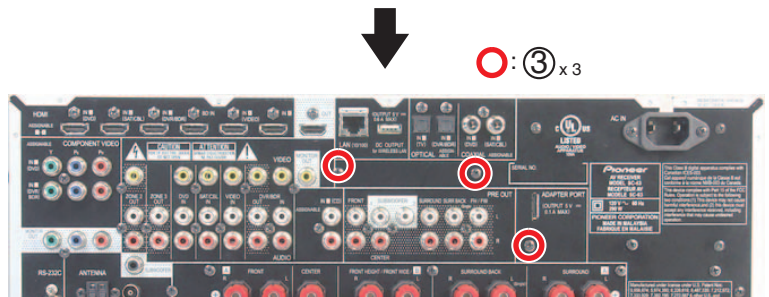
Remove the Bonnet 65 by removing the 18 screws.

**[5-1] FILTER ASSY**

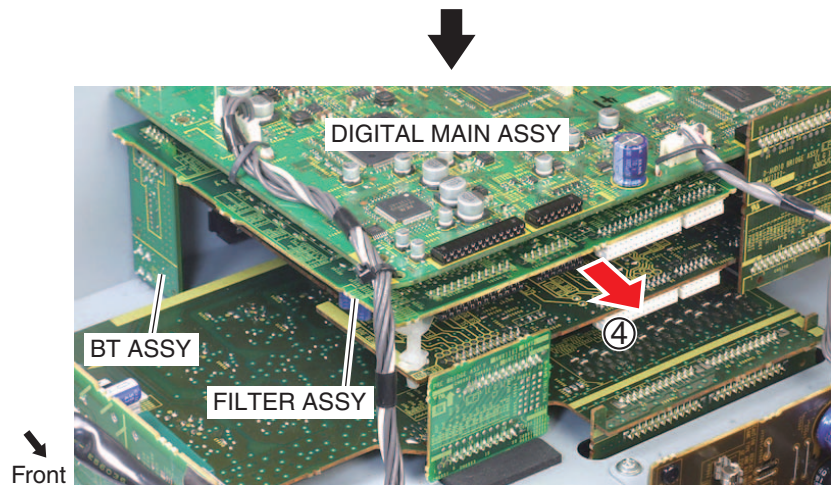
- (1) Remove the D-FILTER BRIDGE ASSY.
- (2) Remove the A-DAC BRIDGE ASSY.



- (3) Remove the three screws. (BBZ30P080FTB)



- (4) Remove the FILTER ASSY (with the BT ASSY).

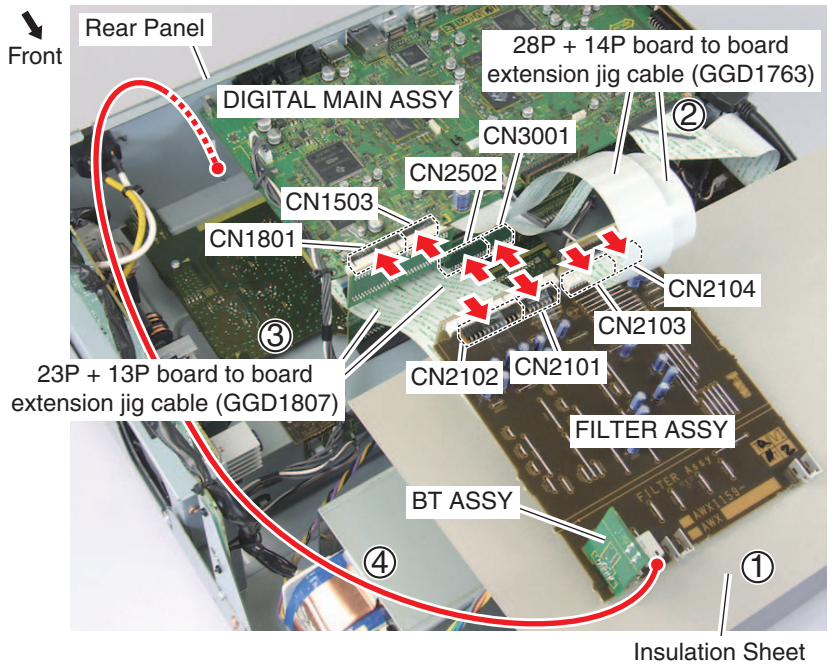




### [5-2] Diagnosis

Arrange the FILTER ASSY and the BT ASSY as shown in the photo.

- (1) Insert the Insulation Sheet.
- (2) Connect the two pair board to board extension jig cables. (GGD1763)  
(AUDIO CN2502 <-> FILTER CN2103)  
(AUDIO CN3001 <-> FILTER CN2104)
- (3) Connect the two pair board to board extension jig cables. (GGD1807)  
(DIGITAL MAIN CN1801 <-> FILTER CN2102)  
(DIGITAL MAIN CN1503 <-> FILTER CN2101)
- (4) Connect the BT ASSY to the Rear Panel Ground.  
(Refer to the "Ground points.")



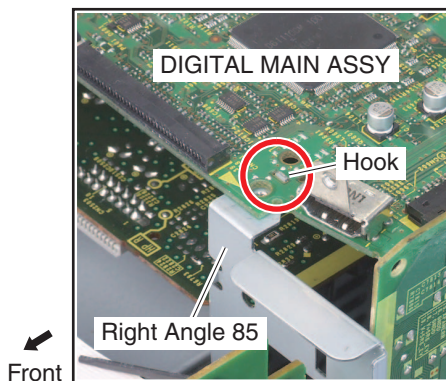
## Assembling of Digital Amplifier Block

**Note :** The attachment positioning of the Digital Amplifier Block relates to sound quality of the unit. If assembling Digital Amplifier Block by wrong steps, sound quality would deteriorate. Therefore assemble it correctly following the procedure shown below.

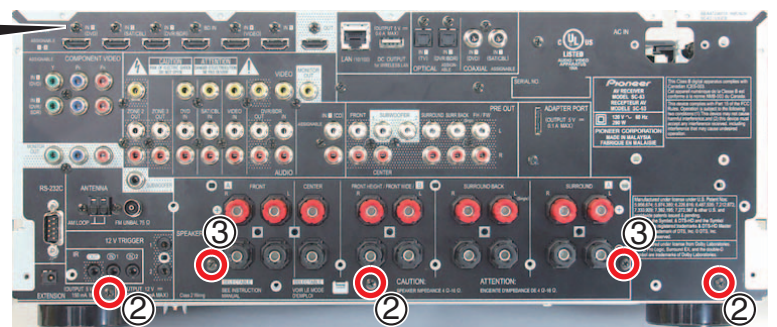
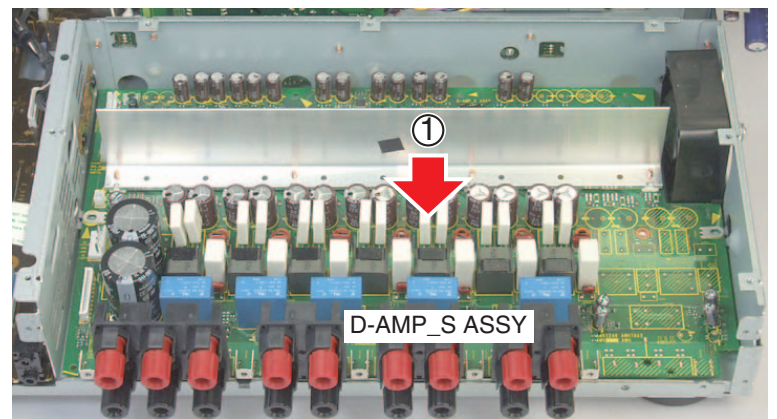
### [1] Attach the D-AMP\_S ASSY

- (1) Allocate the D-AMP\_S ASSY attached with the Heat Cond Sheet, the Heat Sink Spacer and the Heat Sink 85. Don't fix it with screws.
- (2) Temporarily attach the Rear Panel (with other ASSY) to the Chassis 65, using the three screws. (BBZ30P080FTB)

**Note:** Fix the DIGITAL MAIN ASSY to the Hook of the Right Angle 85.

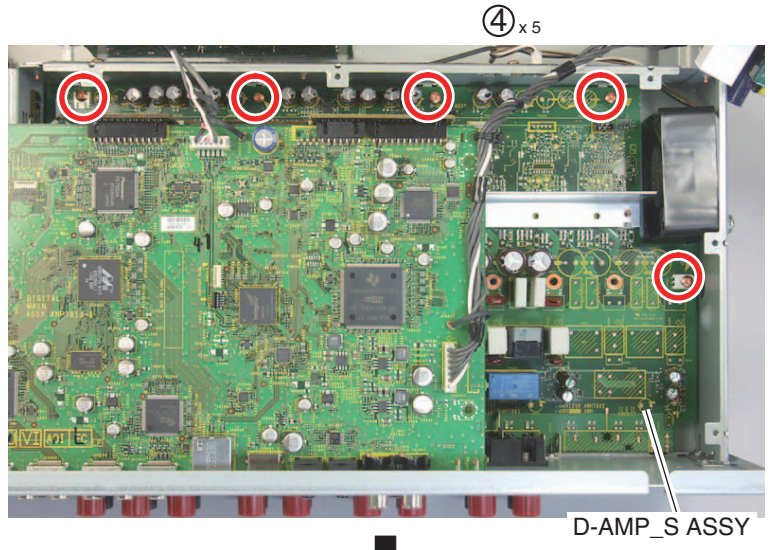


- (3) Temporarily attach the D-AMP\_S ASSY to the Rear Panel, using the two screws. (BBZ30P080FTB)



(4) Attach the D-AMP\_S ASSY, using the five screws. (BBZ30P060FCC)

A



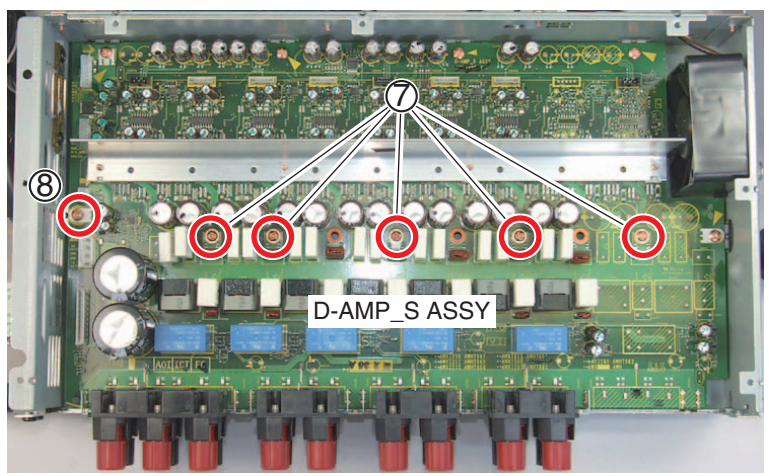
(5) Remove the five screws temporarily fixed in accordance with step (2) and (3). (BBZ30P080FTB)

(6) Remove the Rear Panel (with other ASSY).

C

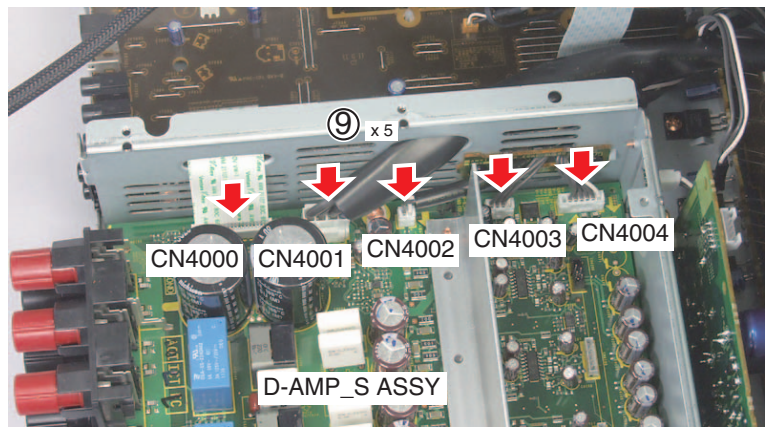
(7) Attach the five screws. (IBZ30P150FCC)

(8) Attach the screw. (BBZ30P060FCC)



D

(9) Connect the five connectors.



E

F

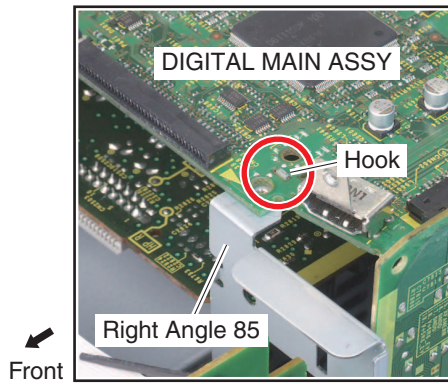


## [2] Attach the IR Cover

- (1) Allocate the IR Cover (with other ASSY).  
Don't fix it with screws.
- (2) Connect the two connectors.

- (3) Temporarily attach the Rear Panel (with other ASSY) to the Chassis 65, using the three screws. (BBZ30P080FTB)

**Note:** Fix the DIGITAL MAIN ASSY to the Hook of the Right Angle 85.

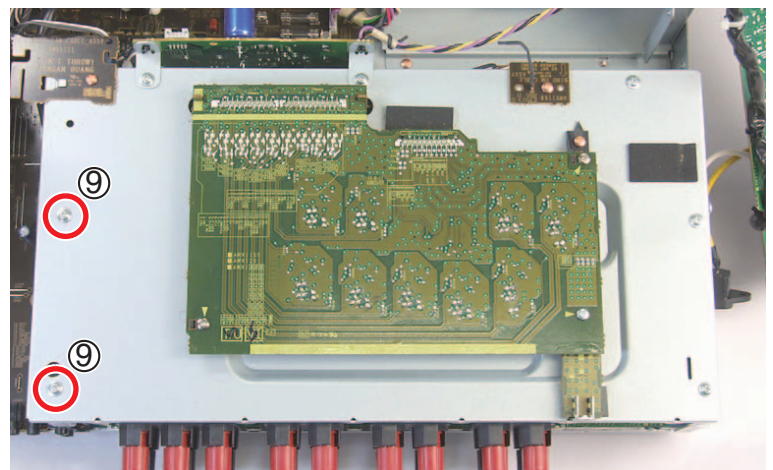
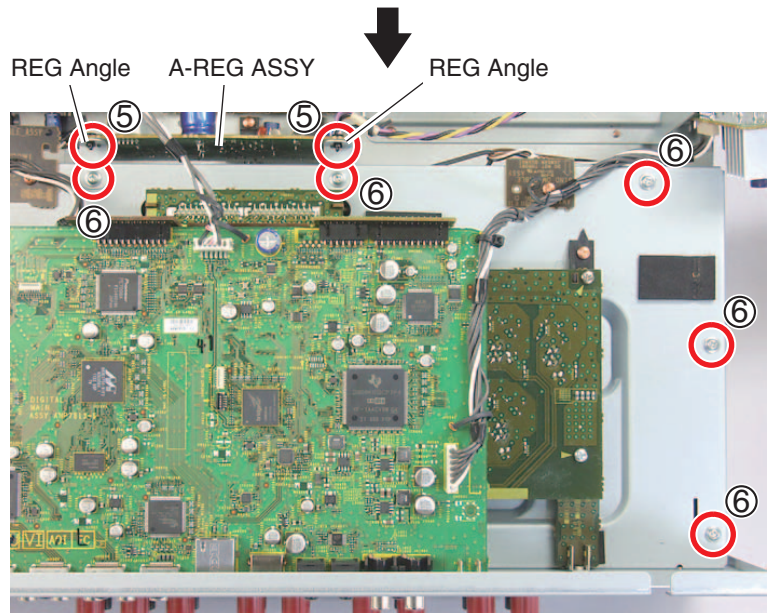
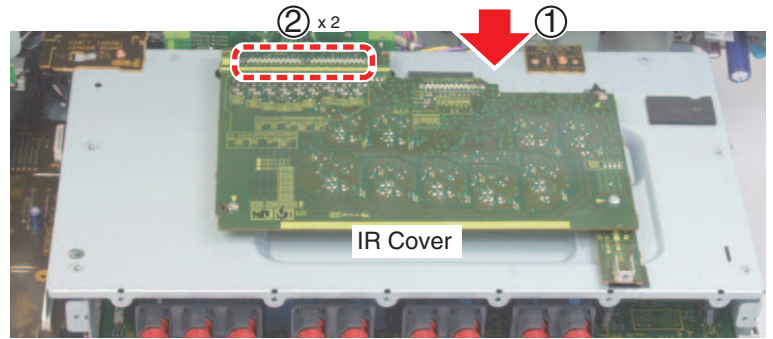


- (4) Temporarily attach the IR Cover to the Rear Panel, using the two screws. (BBZ30P080FTB)
- (5) Attach the two REG Angles to the A-REG ASSY, using the two Nylon Rivets. (AEC7406)
- (6) Attach the IR Cover, using the five screws. (AMZ30P060FTC)

**Note:** Secure the screws for fixing the IR Cover without using the electric screwdriver, but manually.

- (7) Remove the five screws temporarily fixed in accordance with step (3) and (4). (BBZ30P080FTB)
- (8) Remove the Rear Panel (with other ASSY).
- (9) Attach the two screws. (AMZ30P060FTC)

Refer to the step (5) to (1) of “[3-1] Remove the IR Cover” of “Disassembly” henceforth.



# 8. EACH SETTING AND ADJUSTMENT

## 8.1 ADJUSTMENT REQUIRED WHEN THE UNIT IS REPAIRED OR REPLACED

### A ■ When any of the following assemblies is replaced

DISPLAY ASSY	➔	"8.3 REGION WRITING"
DIGITAL MAIN ASSY	➔	"8.2 HOW TO SAVE AND LOAD THE SETTING USING BACKUP FUNCTION WITH USB MEMORY"
Other assemblies	➔	No adjustment required

### B ■ When any of the following parts is replaced

DIGITAL MAIN ASSY	➔	<p>No adjustment required</p> <p>The part listed below is difficult to replace as a discrete component part. When the part listed in the table is defective, replace whole Assy.</p> <ul style="list-style-type: none"> <li>• IC903 (SiI9233ACTU)</li> <li>• IC1204 (88DE2750)</li> <li>• IC1212 (H5PS5162GFR-S5C)</li> <li>• IC1602 (SiI9136CTU)</li> <li>• IC9002 (D808K013CPTP400)</li> <li>• IC9203 (LAN8700C-AEZG)</li> <li>• IC9204 (DM860A)</li> <li>• IC9520 (BD9328EFJ)</li> <li>• IC9521 (BD9328EFJ)</li> <li>• IC9522 (BD9329EFJ)</li> </ul>
-------------------	---	---

D-AMP_S ASSY	➔	<p>No adjustment required</p> <p>The part listed below is difficult to replace as a discrete component part. When the part listed in the table is defective, replace whole Assy.</p> <ul style="list-style-type: none"> <li>• Q4101,4102 (IRF6775MPBF)</li> <li>• Q4201,4202 (IRF6775MPBF)</li> <li>• Q4301,4302 (IRF6775MPBF)</li> <li>• Q4401,4402 (IRF6775MPBF)</li> <li>• Q4501,4502 (IRF6775MPBF)</li> <li>• Q4601,4602 (IRF6775MPBF)</li> <li>• Q4701,4702 (IRF6775MPBF)</li> <li>• Q4801,4802 (IRF6775MPBF)</li> <li>• Q4901,4902 (IRF6775MPBF)</li> </ul>
--------------	---	---

DISPLAY ASSY	➔	After replacing IC3001(PDC203A8), perform "8.3 REGION WRITING" and then, update to the latest firmware.
Other assemblies	➔	No adjustment required



## 8.2 HOW TO SAVE AND LOAD THE SETTING USING BACKUP FUNCTION WITH USB MEMORY

### [Introduction]

This model is capable of saving the set values stored in the MAIN Ucom of DIGITAL MAIN ASSY in the USB and loading them in a new DIGITAL MAIN ASSY.  
(Note that MAIN Ucom should normally operate to enable this function.)

When replacing DIGITAL MAIN ASSY, execute the above mentioned processes.

### [Data that can be saved/cannot be saved]

The following **data can not be saved**. Data other than these can be saved.

Contents to save	Destination to save
Last memory for turning ON/OFF the Main power and power supply for ZONE2 and ZONE3 Last memory for inputting the Main ZONE, ZONE2 and ZONE3 Setting for controlling HDMI Remote control ID Setting for RF remote control (EXTENSION Setup) Setting for Network Standby Data to be save upon the operation of protection circuit Setting for Standby Through	EVENT Ucom
Settings for NETWORK Preset Memory, Favorite, Recently played, Accounts, etc.	BridgeCo IC

(As the data saved by EVENT Ucom is on the DISPLAY ASSY, the data cannot be deleted unless Assy is replaced at the same time.)

### [Requirements for USB memory]

USB memory to be used should meet the following requirements.

- Compatible with USB Mass storage Class
- With a file system of FAT(FAT16 or FAT32)

### [File saving format]

Files are to be saved in the following format: Model number\_backup version.extension(avr)

Example: SC-63\_BK01.avr

### [How to save in the USB memory from AV amplifier]

1. Insert the usable USB memory into the USB terminal when the main device is off.
2. Enter the SERVICE MODE and select [USB BAK ◀ HOLD ▶] with ↑↓ keys.  
(See [6.1 TEST MODE] for how to enter the SERVICE MODE.)
3. Select [USB BAK ◀ SAVE ▶] with ⇄ keys and press [ENTER].
4. Saving in the USB starts and the main device automatically goes off after the normal completion ([COMPLETE] is displayed.).
5. Remove the USB and saving is finished.

\*1. If the following errors occur after "SAVE" is executed, error message will be displayed and "SAVE" will be stopped and the power will be turned off.

- Ejecting of USB device
- Short capacity of USB device
- Error during writing in the USB device (Read Only or defective Sector, etc.)

\*2. If the same file name exists in the USB, overwriting will be automatically executed.

### [How to write into AV amplifier from the USB memory]

1. Insert the USB with the saved file into the USB terminal when the main device is off.
2. Enter the TEST MODE and select [USB BAK ◀ HOLD ▶] with ↑↓ keys.  
(See [6.1 TEST MODE] for how to enter the TEST MODE.)
3. Select [USB BAK ◀ LOAD ▶] with ⇄ keys and press [ENTER].
4. Saving in the main device starts and it automatically goes off after the normal completion ([COMPLETE] is displayed.).
5. Remove the USB and loading is finished.

\* If the following errors occur after "LOAD" is executed, error message will be displayed and "LOAD" will be stopped and the power will be turned off.

- No setting file
- Mismatching between the setting file and the specification of the A/V RECEIVER type to be loaded back
- Error due to Checksum, Signature Check, and Size Check
- Ejecting of USB device (during reading of the setting file)

## Precautions

- Files are stored in Root of USB memory.
  - Files are read from Root of USB memory.
    - ⇒ To make operations such as moving files, be sure to assign the saved file in Root of the USB memory.
- Also please be careful not to assign \*.avr in multiple numbers.

- The time and date of updating for saved file is fixed to "2006/03/08 20:01."
- In principle, please implement Load without making of factory default settings. To Load from factory default settings status, please take caution on the following points;

Please be sure to check the HDMI control setting for the user before performing of factory default settings.

Since the HDMI control setting of default settings is ON, turn OFF the HDMI control setting and Load after performing of factory default settings if the checked user setting is OFF.

(If Load is executed with the setting ON, the assignment information for each HDMI input will be cleared.)

Procedures for turning OFF the HDMI control setting

⇒ HOME MENU ⇒ 4.System Setup ⇒ 4e.HDMI Setup ⇒ Control OFF

## [Cautions]

- You cannot use the backup function with USB memory until the BridgeCo software starts.
- It takes about 70 seconds before the BridgeCo software starts.

## 8.3 REGION WRITING

This is the function to write Region information by using an USB Memory. Automatic start-up is conducted with POWER ON if the Region information is not written. This work is carried out when DISPLAY ASSY is replaced.







### [Preparations]

- Please copy the REGION File for the same model number and the point of destination with the object set to the route directory of USB Memory.

Note: Copy only the REGION File to the USB memory. Never copy to other files.

### [Precautions]

Please be sure to use the REGION File for the same model number and the point of destination with the object set. If you make a mistake, it is impossible to rewrite. (Replacement of DISPLAY ASSY is required again)

Key operation	FL display
Plug in the AC cord. (No Region information)	
	
Power On (Automatically)	
	
Start up finished	
Function initial display	
	
Connect USB Memory. Loading finished correctly	
Region Writing finished	

### [Procedures]

- Connect an AC cord after replacing DISPLAY ASSY. (Power turns ON automatically)
- [SET REGION] is displayed several seconds after [POWER ON] is displayed on the front panel. (Standby status for REGION File writing)
- Automatic writing starts when USB memory prepared by [Preparation: 1] is inserted. (Degree of several seconds)
- The written model number is displayed after the normal completion of REGION File writing. (14 characters, maximum)
- Pull out the AC cord.

### [Cautions]

- Writing of destination is not completed until the BridgeCo software starts.
- It takes about 70 seconds before the BridgeCo software starts.

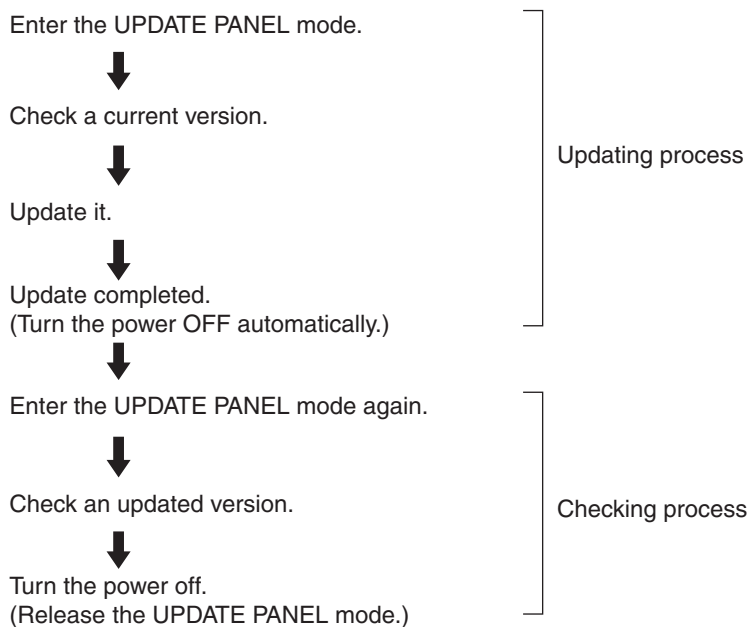
### [Case of Abnormal Completion]

If REGION File writing did not complete normally, an error number is displayed rather than the model number. Please perform rewriting based on the coping strategy by error numbers below.

FL Display Examples										Reason for Display	Coping Strategy	
		E	R	R	O	R		R	0	1	·Case of unsuccessful USB Read-in ·Case of No File for Writing	·Try writing with other USB Memory ·Place writing required REGION File to root directory
		E	R	R	O	R		R	0	3	Case of destroyed File	Download REGION File again
		E	R	R	O	R		R	0	4	Case of destination information for different model is written	Download REGION File for correct model

## 8.4 HOW TO UPDATE FIRMWARE

### Workflow



### MAIN com (EMMA), SUB com (EVENT) , DSP Flash ROM and BridgeCo IC Update by USB Memory and the Confirmation of the Version




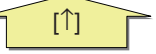
#### ● UPDATE PANEL Mode (Version update)

##### [Preparations]

- Copy the UPDATE FILE to the root directory of the USB Memory.  
**Note:** NEVER copy several UPDATE FILES to the root directory of the USB Memory.  
Copy only the corresponding UPDATE FILE.
- Turn off the power to this unit by setting Multi-Zone to "OFF".
- Connect the USB Memory to the USB terminal (A type) of the front panel.

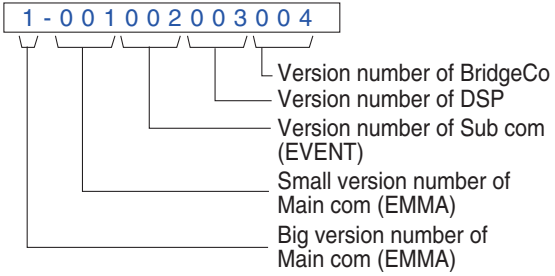
##### [Procedures]

- While holding down "TUNE↑" key on the front panel, press "STANDBY ON/OFF" key and moves to the **UPDATE PANEL mode**.
- The updating process is as follows.



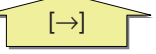

Key operation	FL display
[TUNE↑] + [STANDBY ON/OFF]  Booting is completed 	<div style="border: 1px solid black; padding: 5px; text-align: center;">POWER ON</div>  Version is displayed. <div style="border: 1px solid black; padding: 5px; text-align: center;">1 - 001002003004</div>
[TUNE↓] or [TUNE↑]  	Update Menu <div style="border: 1px solid black; padding: 5px; text-align: center;">UPDATE</div>





### Front Panel Key

- [↓] : TUNE key
- [↑] : TUNE key
- [←] : PRESET key
- [→] : PRESET key



"\*\*\*" displayed instead of number indicates the process while the version is obtained. Wait for a while until the version is displayed.

Key operation	FL display
 [PRESET→] or [PRESET←]	Update Menu <div style="border: 1px solid black; padding: 5px; text-align: center;">UPDATE</div>
 	Update Confirmation <div style="border: 1px solid black; padding: 5px; text-align: center;">UPDATE ? ◀NO▶</div>
	Update Confirmation <div style="border: 1px solid black; padding: 5px; text-align: center;">UPDATE ? ◀YES▶</div>
UPDATE FILE searching completed	File searching <div style="border: 1px solid black; padding: 5px; text-align: center;">Accessing</div>

Key operation	FL display
UPDATE FILE searching completed	
	
UPDATE start	Updating process * U p d a t i n g . 0 %
	
UPDATE completed	
	
5 Second	Update completion display * U p d a t i n g . 1 0 0 %
	
Power turns off automatically. (All ZONE OFF) Disconnect the USB MEMORY.	

Update time is fluctuated by contents of the update. It will take about 26 minutes at the maximum.  
(Actual time is from 3 minutes to 26 minutes.)

Time required for updating varies, because only the programs that require updating will be updated.

#### [Confirmation]

- Enter UPDATE PANEL mode and check that the programs have been updated.

#### [Cautions]

- You cannot perform an update until the BridgeCo software starts.
- It takes about 70 seconds before the BridgeCo software starts.

# 9. EXPLODED VIEWS AND PARTS LIST

NOTES: ● Parts marked by "NSP" are generally unavailable because they are not in our Master Spare Parts List.

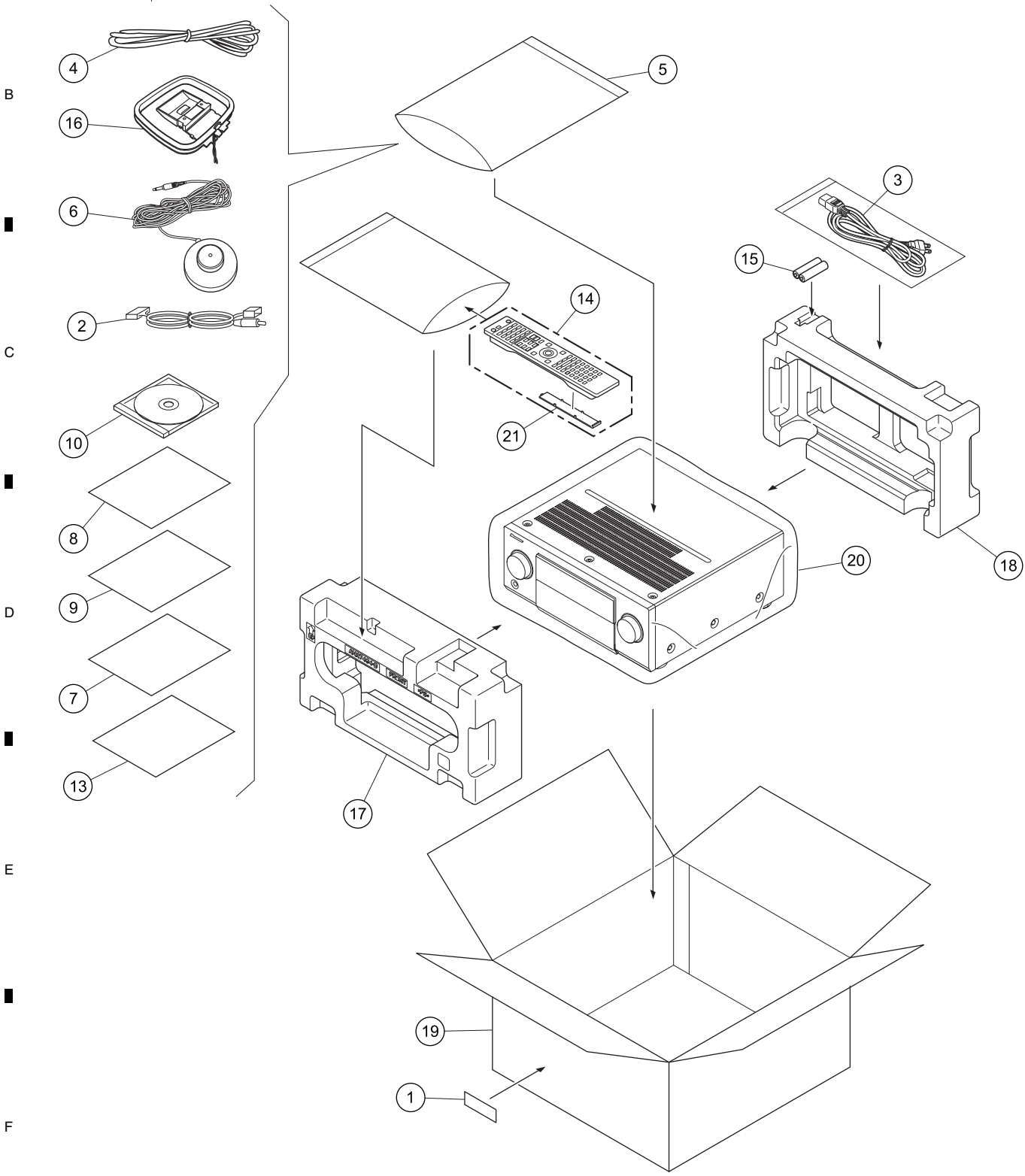
● The  $\triangle$  mark found on some component parts indicates the importance of the safety factor of the part. Therefore, when replacing, be sure to use parts of identical designation.

● Screws adjacent to  $\nabla$  mark on product are used for disassembly.

● For the applying amount of lubricants or glue, follow the instructions in this manual.

(In the case of no amount instructions, apply as you think it appropriate.)

## 9.1 PACKING SECTION



**(1) PACKING SECTION PARTS LIST**

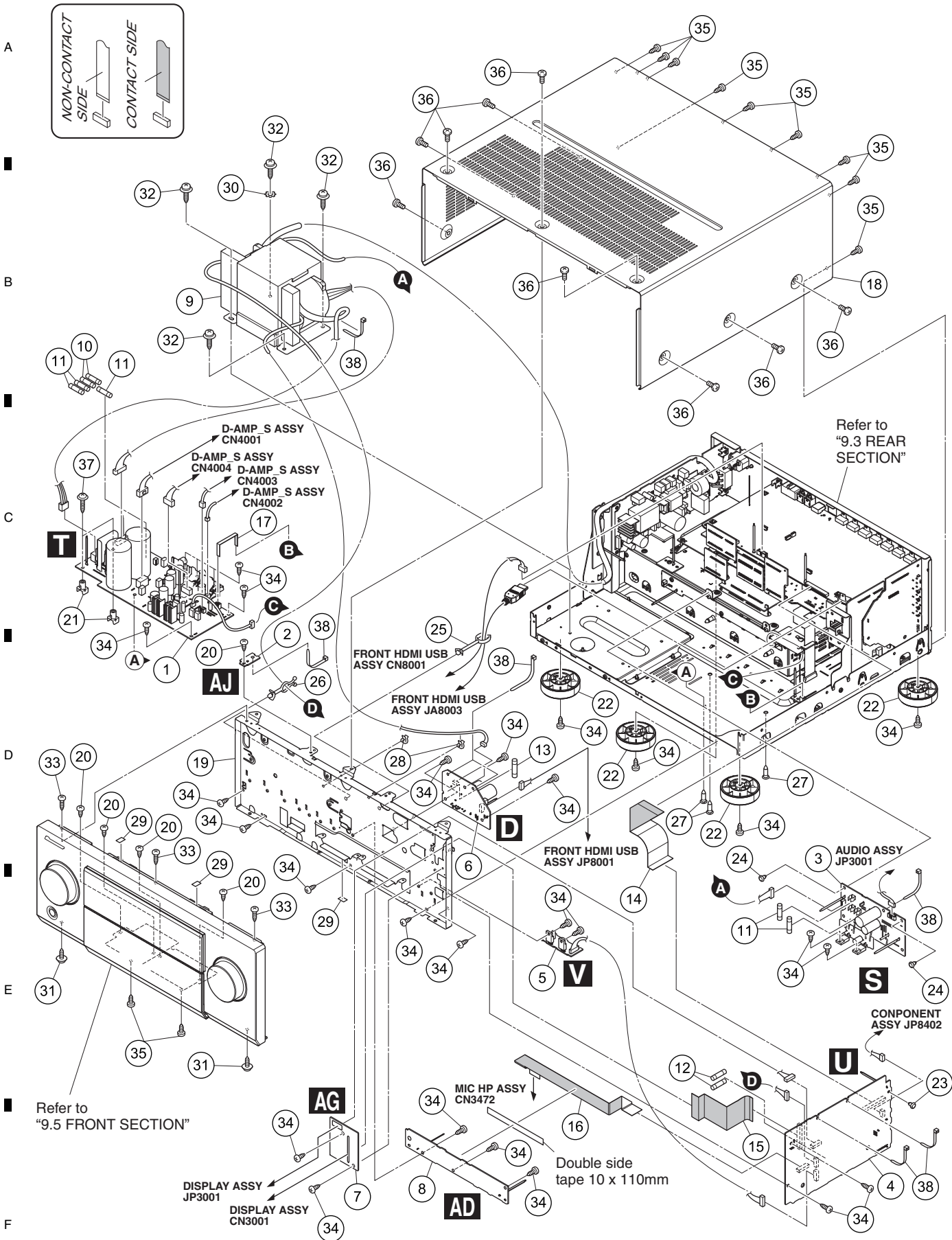
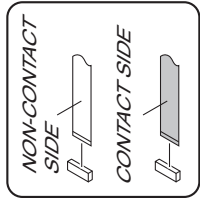
<b>Mark No.</b>	<b>Description</b>	<b>Part No.</b>	<b>Mark No.</b>	<b>Description</b>	<b>Part No.</b>
NSP 1	Serial Label S	VRW2017	16	AM Loop Antenna	XTB3004
2	30P iPod Cable	ADE7136	17	Packing Pad /F	AHA7494
⚠ 3	AC Power Cord	ADG7118	18	Packing Pad /R	AHA7495
4	FM Wire Antenna	ADH7030	19	Packing Case	See Contrast table (2)
NSP 5	Polyethylene Bag	AHG7117	20	Packing Sheet	RHC1023
6	MCACC Setup Microphone	APM7010	21	Battery Door	AZN8047
7	Quick Start Guide	See Contrast table (2)			
8	Caution Sheet SP, E	ARM7083			
NSP 9	Caution Card CU	ARM7134			
10	Operating Instructions (CD-ROM)	See Contrast table (2)			
11	•••••				
12	•••••				
NSP 13	Warranty Card	See Contrast table (2)			
14	Remote Control Unit SLW	AXD7666			
NSP 15	Dry Cell Battery (R3)	VEM1051			

**(2) CONTRAST TABLE**

SC-63/UXJCB, SC-61/UXJCB, SC-1227-K/CUXJ and SC-1222-K/UXJCB are constructed the same except for the following:

<b>Mark</b>	<b>No.</b>	<b>Symbol and Description</b>	<b>SC-63/ UXJCB</b>	<b>SC-61/ UXJCB</b>	<b>SC-1227-K/ CUXJ</b>	<b>SC-1222-K/ UXJCB</b>
	7	Quick Start Guide	ARH7126	ARH7126	ARH7127	ARH7130
	10	Operating Instructions (CD-ROM)	ARU7036	ARU7036	ARU7037	ARU7039
	13	Warranty Card	ARY7007	ARY7007	ARY7045	ARY7045
	19	Packing Case	AHD8761	AHD8762	AHD8764	AHD8763

# 9.2 EXTERIOR SECTION





**(1) EXTERIOR SECTION PARTS LIST**

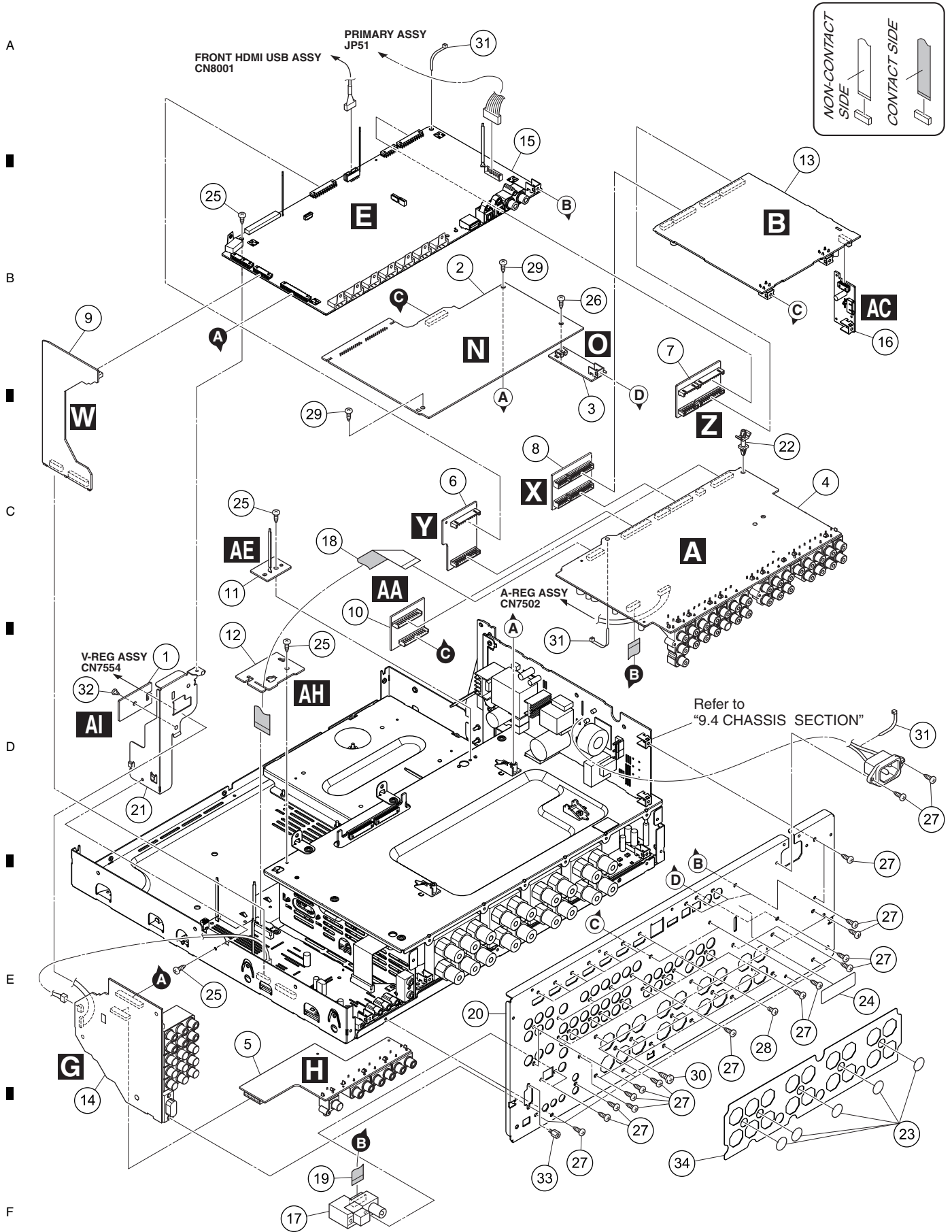
<u>Mark No.</u>	<u>Description</u>	<u>Part No.</u>	<u>Mark No.</u>	<u>Description</u>	<u>Part No.</u>
	1 IR REG ASSY	AWX1158	21	PCB Mold	AMR2533
NSP	2 TRANS VREG STYL ASSY	AWX1256	22	Insulator	AMR7198
	3 A-REG ASSY	AWX1204	23	Push Rivet	AEC7071
	4 V-REG ASSY	See Contrast table (2)	24	Nylon Rivet	AEC7406
	5 VREG CHILD ASSY	AWX1165	25	Cord Clamper HL	AEC7653
	6 USB RECT ASSY	AWX1259	26	Cord Clamper NIP	AEC7655
NSP	7 FFC GUARD ASSY	AWX1167	27	PCB Holder	PNW2029
	8 MIC HP GUARD ASSY	AWX1152	NSP 28	Mini Clamp	VEC1597
⚠	9 Power Transformer	ATS7451	29	Cushion 11 x 7	AED7092
⚠	10 FUSE (FU13, FU14 : 1A)	REK1142	30	Toothed Lock Washer	WH40FNI
⚠	11 Fuse	REK1143	31	Screw (Steel)	See Contrast table (2)
	(FU11, FU12, FU15, FU21, FU22 : 1.25A)		32	Screw 4 x 12 (FE)	ABA7109
⚠	12 Fuse (FU31, FU32 : 1.6A)	REK1144	33	Screw	See Contrast table (2)
⚠	13 Fuse (FU10 : 6A)	REK1151	34	Screw	BBZ30P060FCC
	14 39P FFC (J0005)	ADD7746	35	Screw	BBZ30P080FTB
	15 39P FFC (J0007)	ADD7753			
	16 15P FFC (J0003)	ADD7765	36	Screw	BCZ40P060FTB
	17 3P FFC (J0004)	ADD7766	37	Screw	IBZ30P180FTC
	18 Bonnet 65	AZN8052	38	Binder (BK-1)	ZCA-BK1
NSP	19 Panel Stay 85	ANG7684			
	20 Screw	See Contrast table (2)			

**(2) CONTRAST TABLE**

SC-63/UXJCB, SC-61/UXJCB, SC-1227-K/CUXJ and SC-1222-K/UXJCB are constructed the same except for the following:

<b>Mark</b>	<b>No.</b>	<b>Symbol and Description</b>	<b>SC-63/ UXJCB</b>	<b>SC-61/ UXJCB</b>	<b>SC-1227-K/ CUXJ</b>	<b>SC-1222-K/ UXJCB</b>
	4	V-REG ASSY	AWX1163	AWX1163	AWX1260	AWX1260
	20	Screw	BBZ30P060FCC	BBZ30P080FCC	BBZ30P080FCC	BBZ30P080FCC
	31	Screw (Steel)	ABA1193	BBZ30P080FTB	BBZ30P080FTB	BBZ30P080FTB
	33	Screw	BBT30P080FCC	BBZ30P080FCC	BBZ30P080FCC	BBZ30P080FCC

# 9.3 REAR SECTION



**(1) REAR SECTION PARTS LIST**

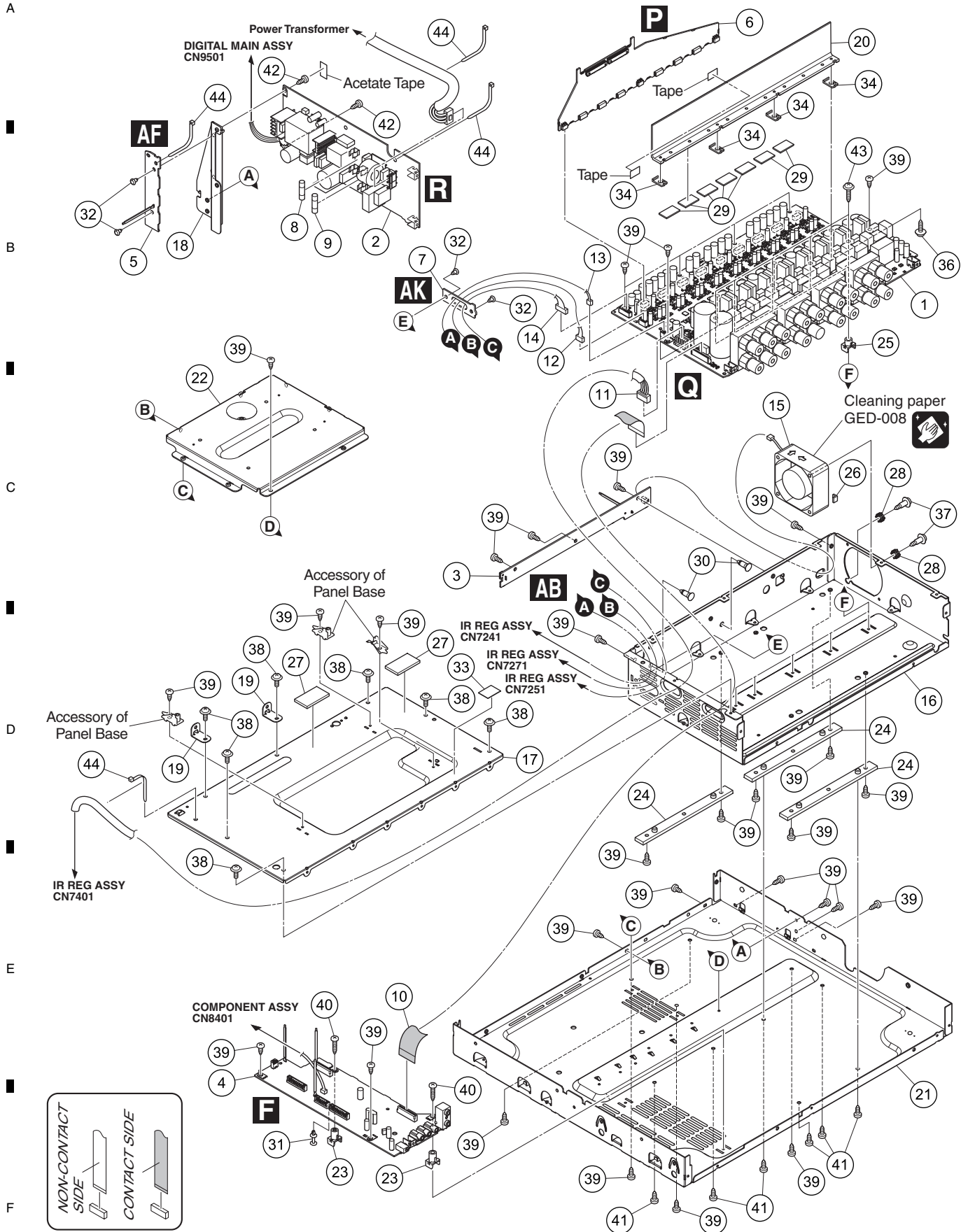
<u>Mark No.</u>	<u>Description</u>	<u>Part No.</u>	<u>Mark No.</u>	<u>Description</u>	<u>Part No.</u>
NSP	1 VREG GUARD ASSY	AWX1153	21	Right Angle 85	ANG7687
	2 IR BUFFER ASSY	AWX1201	NSP	22 PCB Spacer	AEC1084
	3 BUFFER GND ASSY	AWX1156		23 Cushion Circle 14B	AED7081
	4 AUDIO ASSY	AWX1117		24 Serial Label S	VRW2017
	5 COMPOSITE ASSY	AWX1116		25 Screw	BBZ30P060FCC
	6 D-AUDIO BRIDGE ASSY	AWX1127		26 Screw	BBZ30P060FTC
	7 D-FILTER BRIDGE ASSY	AWX1164		27 Screw	BBZ30P080FTB
	8 A-DAC BRIDGE ASSY	AWX1129		28 Screw	BMZ30P040FTB
	9 CONNECT ASSY	AWX1160		29 Screw	BPZ30P080FNI
	10 PRE BRIDGE ASSY	AWX1202		30 Screw	BPZ30P100FTC
11 BIND DM CABLE ASSY	AWX1168	31 Binder (BK-1)		ZCA-BK1	
NSP	12 BIND FAN CABLE ASSY	AWX1231	32 Nylon Rivet	AEC7406	
	13 FILTER ASSY	AWX1159	33 Hex head Screw 2.85 X 7	ABA7078	
	14 COMPONENT ASSY	AWX1105	34 Insulating Sheet 63	AEC7658	
	15 DIGITAL MAIN ASSY	AWX1200			
	16 BT ASSY	AWX1196			
17 AM/FM Tuner Unit	AXX7282				
18 15P FFC (J0002)	ADD7764				
19 9P FFC (J0006)	ADD7781				
20 Rear Panel	See Contrast table (2)				

**(2) CONTRAST TABLE**

SC-63/UXJCB, SC-61/UXJCB, SC-1227-K/CUXJ and SC-1222-K/UXJCB are constructed the same except for the following:

<b>Mark</b>	<b>No.</b>	<b>Symbol and Description</b>	<b>SC-63/ UXJCB</b>	<b>SC-61/ UXJCB</b>	<b>SC-1227-K/ CUXJ</b>	<b>SC-1222-K/ UXJCB</b>
	20	Rear Panel	ANC8639	ANC8655	ANC8641	ANC8640

# 9.4 CHASSIS SECTION



**(1) CHASSIS SECTION PARTS LIST**

<u>Mark No.</u>	<u>Description</u>	<u>Part No.</u>	<u>Mark No.</u>	<u>Description</u>	<u>Part No.</u>
1	D-AMP_S ASSY	AWX1192	26	Cushion 5 x 8	AEB7397
2	PRIMARY ASSY	AWX1225	27	Cushion T3 20 x 35	AEB7406
3	FAN CONNECT_S ASSY	AWX1130	28	Damper Bushing 83	AEB7425
4	INTERFACE ASSY	See Contrast table (2)	29	Heat Cond Sheet	AEB7434
5	P WIRE GUARD ASSY	AWX1229	30	Spacer	AEC1065
6	IR INTERFACE ASSY	AWX1194	31	PCB Spacer	AEC7080
NSP 7	IR EDGE GUARD ASSY	AWX1230	32	Nylon Rivet	AEC7406
⚠ 8	Fuse (FU4 : 2A)	REK1139	33	Insulating Sheet	AEC7654
⚠ 9	Fuse (FU1 : 10A)	REK1154	34	Heat Sink Spacer	AMR7568
10	19P FFC (J0008)	ADD7747	35	•••••	
11	4P Housing ASSY (Y0023)	ADX7779	36	Screw	ABA1052
12	4P Housing ASSY (Y0024)	ADX7780	37	Screw (3 x 11.6)	ABA7146
13	2P Housing ASSY (Y0025)	ADX7781	38	Screw	AMZ30P060FTC
14	7P Housing ASSY (Y0026)	ADX7782	39	Screw	BBZ30P060FCC
⚠ 15	DC Fan Motor	AXM7040	40	Screw	BBZ30P180FCC
NSP 16	IR Box	ANF7067	41	Screw	BPZ30P080FNI
NSP 17	IR Cover	ANF7068	42	Screw	BSZ30P060FCC
18	PRI Angle	ANG7747	43	Screw	IBZ30P150FCC
19	REG Angle	ANG7748	44	Binder (BK-1)	ZCA-BK1
NSP 20	Heat Sink 85	ANH7234			
NSP 21	Chassis 65	ANA7243			
22	TS Frame	ANG7746			
23	PCB Mold	AMR2533			
24	Insulator ICE	AMR7523			
25	PCB Mold	AMR7536			

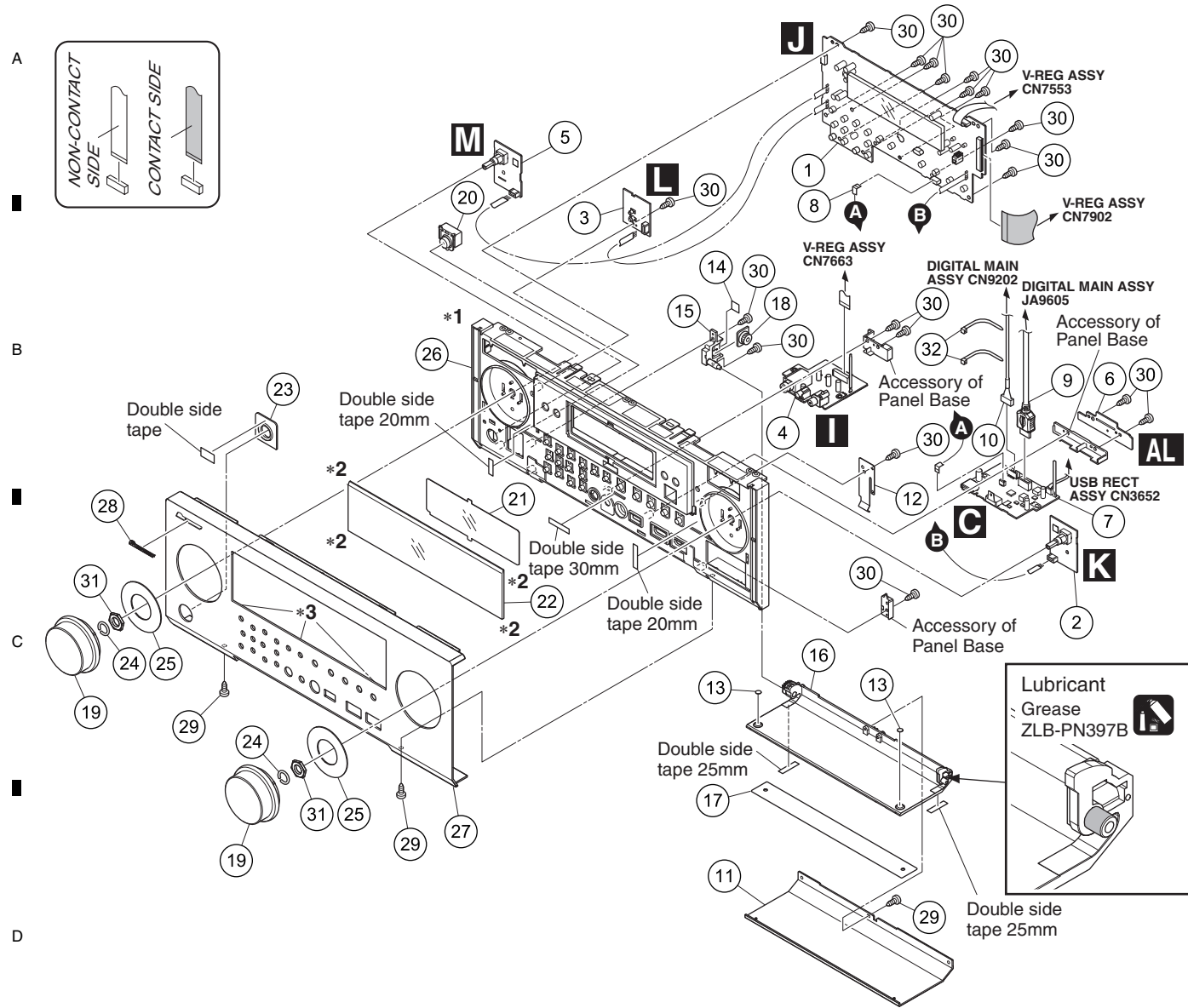
**(2) CONTRAST TABLE**

SC-63/UXJCB, SC-61/UXJCB, SC-1227-K/CUXJ and SC-1222-K/UXJCB are constructed the same except for the following:

<b>Mark</b>	<b>No.</b>	<b>Symbol and Description</b>	<b>SC-63/ UXJCB</b>	<b>SC-61/ UXJCB</b>	<b>SC-1227-K/ CUXJ</b>	<b>SC-1222-K/ UXJCB</b>
	4	INTERFACE ASSY	AWX1270	AWX1270	AWX1207	AWX1207



# 9.5 FRONT SECTION

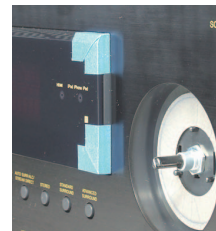


**Note \*1:** Please pay attention not to hurt Panel Base 55U when you remove the Panel.

**Note \*2:** Please tape up at four (4) places to protect Panel Base 55U as shown on the photograph when you remove the Panel.

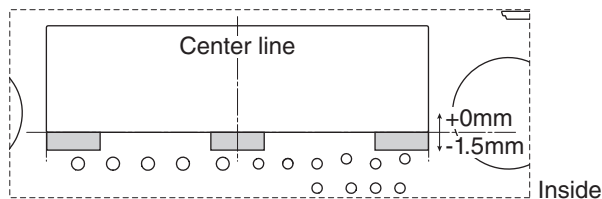


Left side



Right side

**Note \*3:** Double Side Tape (10mm x 30mm) affixing position on the Panel.



**(1) FRONT SECTION PARTS LIST**

<u>Mark No.</u>	<u>Description</u>	<u>Part No.</u>	<u>Mark No.</u>	<u>Description</u>	<u>Part No.</u>
1	DISPLAY ASSY	See Contrast table (2)	21	Filter	See Contrast table (2)
2	VOL ASSY	AWX1134	22	Display Panel	See Contrast table (2)
3	POWER SW ASSY	See Contrast table (2)	23	Power Ring LX85	AAK8571
4	MIC HP ASSY	AWX1148	24	Ring	ABH7213
5	ENCODER ASSY	AWX1150	25	VOL Stabilizer LX85	AEC7644
NSP 6	PANEL GUARD ASSY	AWX1154	NSP 26	Panel Base 55U	AMB8041
7	FRONT HDMI USB ASSY	AWX1203	27	Panel	See Contrast table (2)
8	7P FFC (J0001)	ADD7763	28	Pioneer Badge	See Contrast table (2)
9	HDMI Cable	ADX7777	29	Screw	BBZ30P080FTB
10	5P Housing ASSY (Y0021)	ADX7789	30	Screw	BPZ30P080FNI
11	Door Panel	See Contrast table (2)	31	Nut	NK90FTC
12	Door Spring	ABK7061	32	Binder (BK-1)	ZCA-BK1
13	Cushion Circle 6B	AED7083			
14	Cushion 11 x 7	AED7092			
15	Door Shaft 60	AMR7531			
16	Door Base 85	AMR7565			
17	Door Plate LX55	ANG7682			
18	Damper ASSY (240) LX	AXA7156			
19	VOL. Knob LX55	AAA7068			
20	STDBY BTN LX85 ASSY	AAD7804			

**(2) CONTRAST TABLE**

SC-63/UXJCB, SC-61/UXJCB, SC-1227-K/CUXJ and SC-1222-K/UXJCB are constructed the same except for the following:

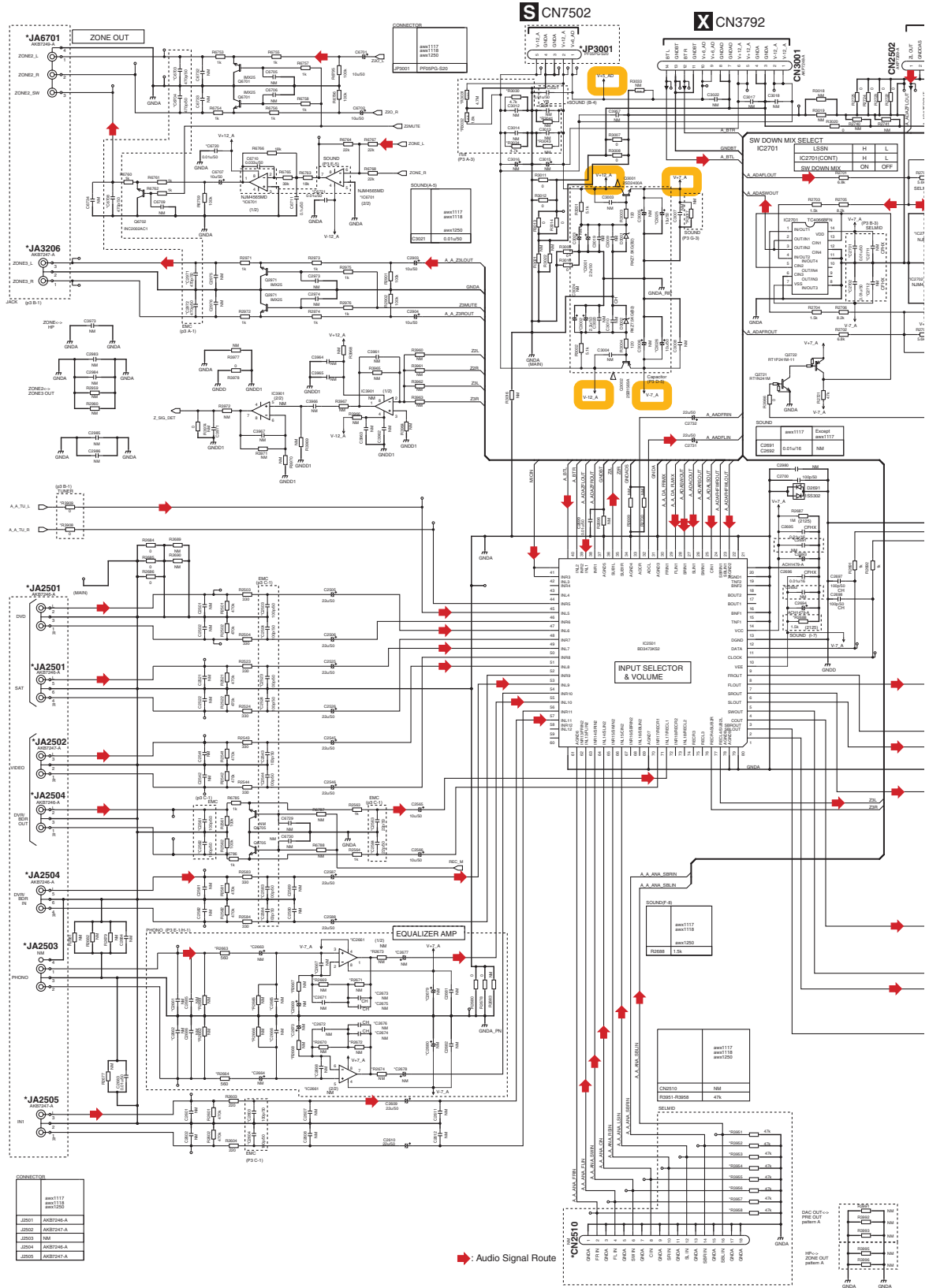
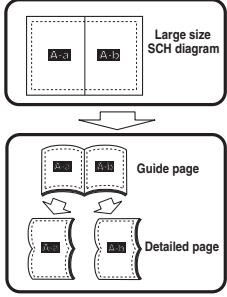
<b>Mark</b>	<b>No.</b>	<b>Symbol and Description</b>	<b>SC-63/ UXJCB</b>	<b>SC-61/ UXJCB</b>	<b>SC-1227-K/ CUXJ</b>	<b>SC-1222-K/ UXJCB</b>
	1	DISPLAY ASSY	AWX1208	AWX1208	AWX1209	AWX1209
	3	POWER SW ASSY	AWX1135	AWX1135	AWX1151	AWX1151
	11	Door Panel	AAN7237	AAN7237	AAN7235	AAN7236
	21	Filter	AAK8443	AAK8443	AAK8459	AAK8459
	22	Display Panel	AAK8567	AAK8567	AAK8573	AAK8573
	27	Panel	ANB7581	AMB8048	AMB8045	AMB8044
	28	Pioneer Badge	VAM1159	VAM1159	VAM1158	VAM1158

# 10. SCHEMATIC DIAGRAM

## 10.1 AUDIO ASSY (1/3) (GUIDE PAGE)

Note: When ordering service parts, be sure to refer to "EXPLODED VIEWS AND PARTS LIST" or "ELECTRICAL PARTS LIST".

A-a 1/3

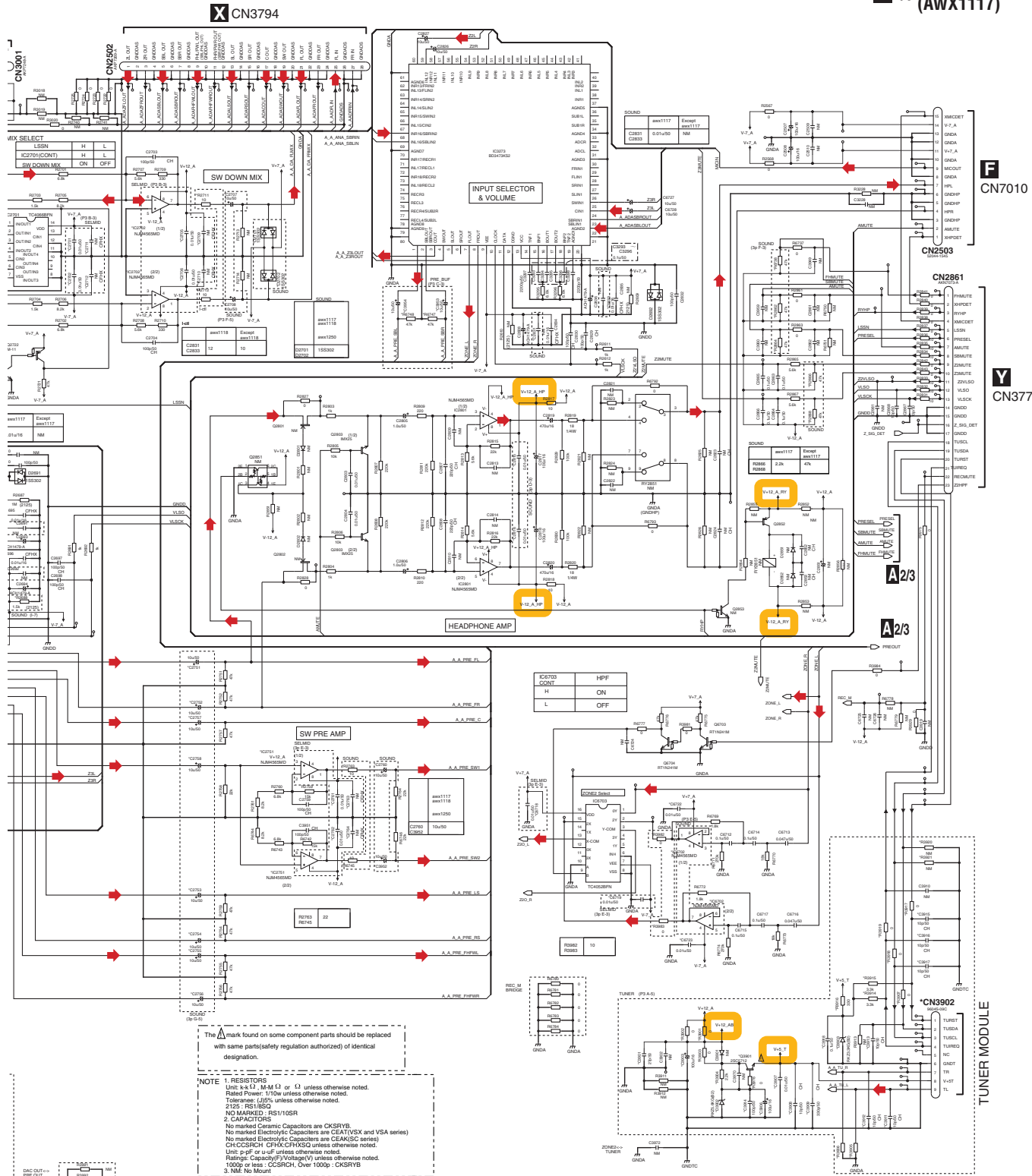


CONN	AW1117	
	AW1118	
	AW1200	
J201	ANR248-A	
J202	ANR249-A	
J203	MM	
J204	ANR248-A	
J205	ANR247-A	

A1/3

# A-b 1/3

## A1/3 AUDIO ASSY (1/3) (AWX1117)



The △ mark found on some component parts should be replaced with same parts (safety regulation authorized) of identical designation.

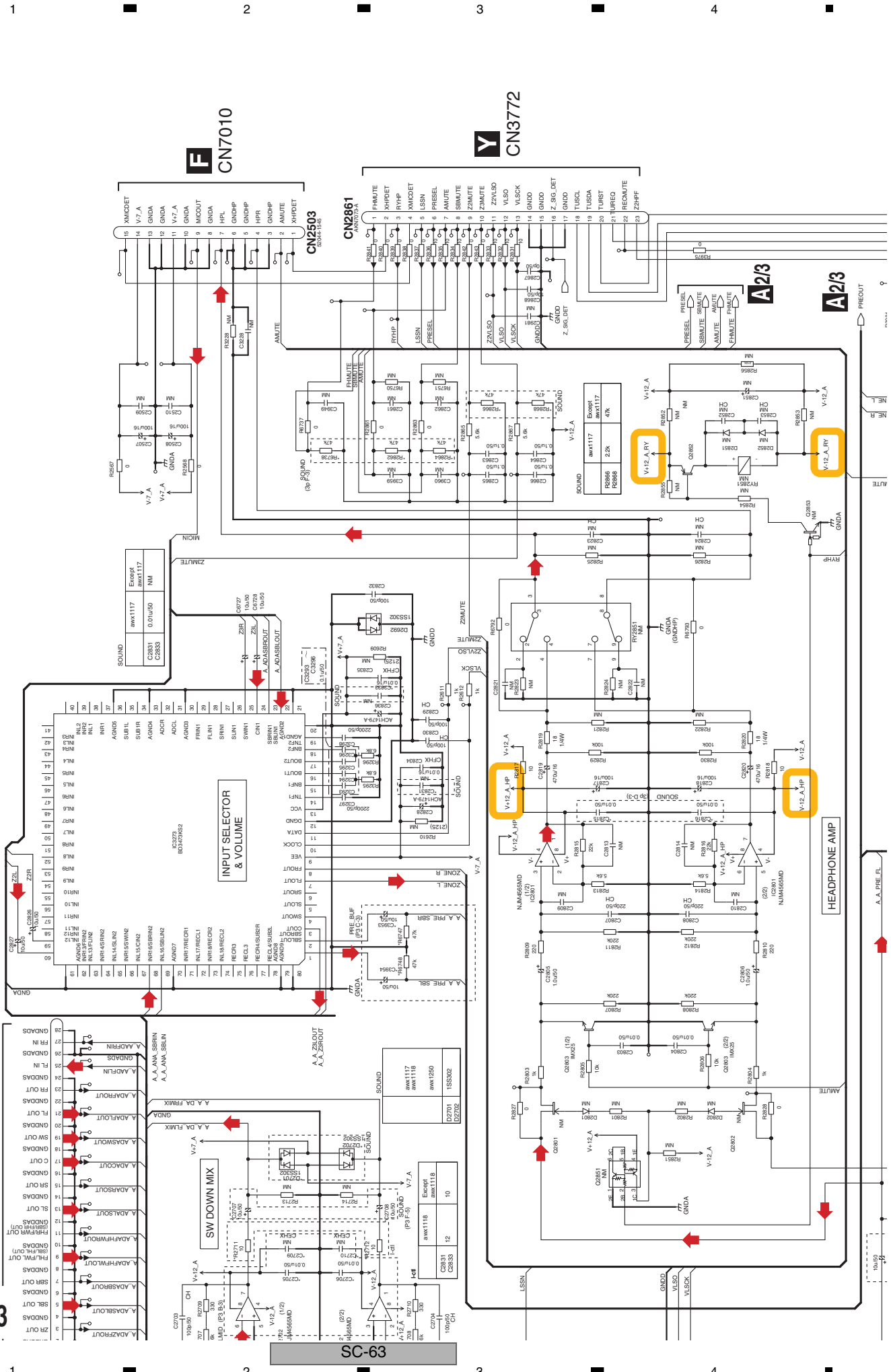
NOTE 1. RESISTORS  
Units k, M, Ω, or Ω unless otherwise noted.  
Rated Power: 1/10w unless otherwise noted.  
Tolerances: (Ω) unless otherwise noted.  
2125: RS1/BSC  
NO MARKED: RS1/10SR

2. CAPACITORS  
No marked Ceramic Capacitors are CKSRVB.  
No marked Electrolytic Capacitors are CEATV/SX and VSA series.  
No marked Electrolytic Capacitors are CEAK/SC series.  
CH/CCSRCH, CFHX/CFHXSD unless otherwise noted.  
Unit: p/pF or u/uF unless otherwise noted.  
Ratings: Capacitor Voltage(V) unless otherwise noted.  
1000p or less: CCSRCH, Over 1000p: CKSRVB

3. NM: No Mount

- When ordering service parts, be sure to refer to "EXPLODED VIEWS AND PARTS LIST" or "PCB PARTS LIST".
- The △ mark found on some component parts indicates the importance of the safety factor of the part. Therefore, when replacing, be sure to use parts of identical designation.
- ●: The power supply is shown with the marked box.

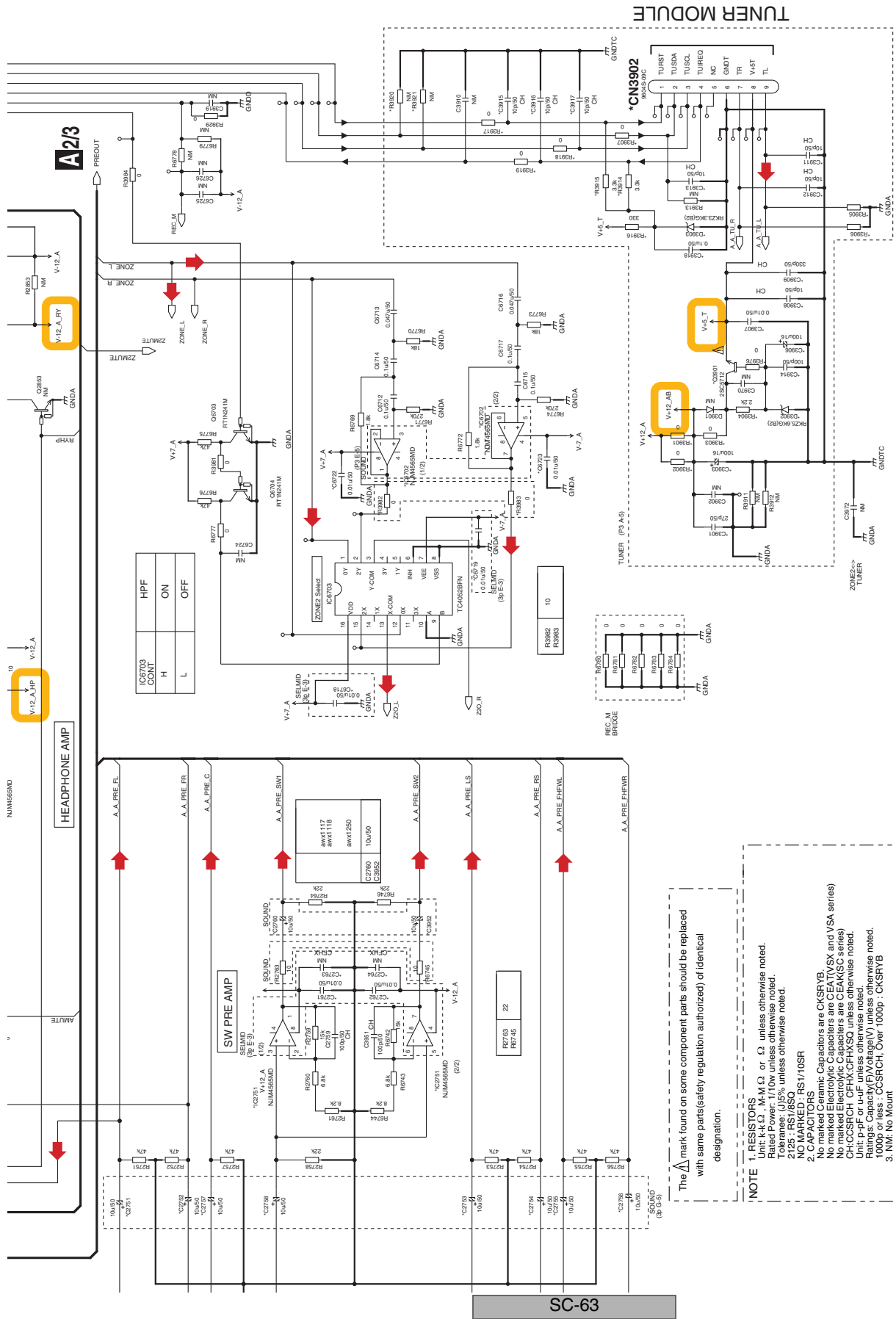
# A1/3 AUDIO ASSY (1/3) (AWX1117)



# A-b 1/3

A-a A-b



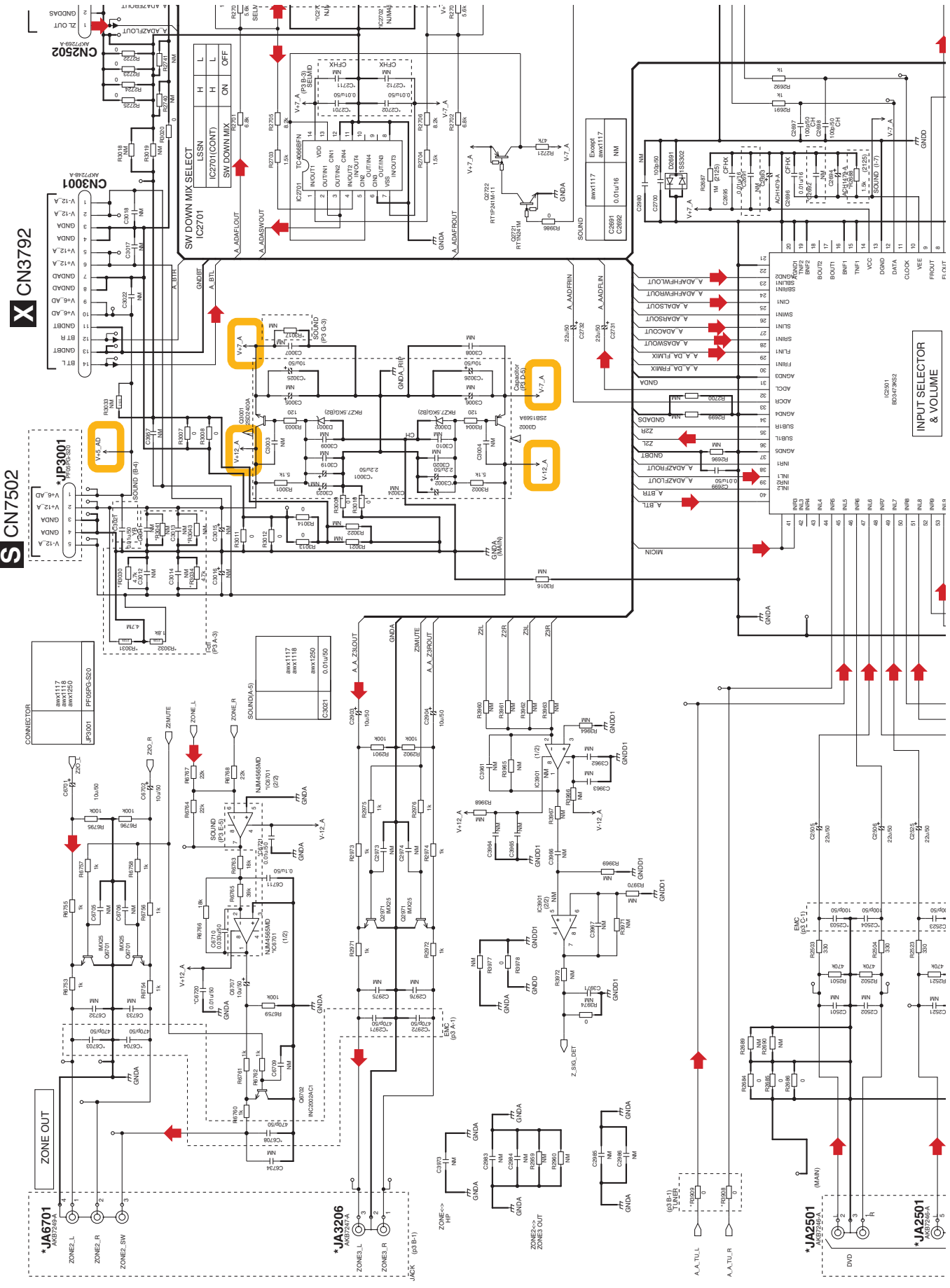


The  $\Delta$  mark found on some component parts should be replaced with same parts (safety regulation authorized) of identical designation.

**NOTE 1. RESISTORS**  
 Unit: k- $\Omega$ , M-M  $\Omega$  or  $\Omega$  unless otherwise noted.  
 Rated Power: 1/10w unless otherwise noted.  
 Tolerance:  $\pm 5\%$  unless otherwise noted.  
 2125: RS1765SQ  
 2. CAPACITORS  
 Unit:  $\mu$ F, nF, pF, unless otherwise noted.  
 No marked Ceramic Capacitors are CKSRVB and VSA series  
 No marked Electrolytic Capacitors are CEAK(GC series)  
 CH: CCSRCH, CFH: CFHXSQ unless otherwise noted.  
 Film: P: P, Paper: P, Electrolytic: E, unless otherwise noted.  
 Rated Power: 1/10W unless otherwise noted.  
 1000p or less: CCSRCH, Over 1000p: CKSRVB  
 3. NM: No Mount

- When ordering service parts, be sure to refer to "EXPLODED VIEWS and PARTS LIST" or "PCB PARTS LIST".
- The  $\Delta$  mark found on some component parts indicates the importance of the safety factor of the part. Therefore, when replacing, be sure to use parts of identical designation.
- $\circ$ : The power supply is shown with the marked box.

A-a A-b



A-a A-b

CONNECTOR

JP3001	FRFRPS-SD0
SW1117	SW1117
SW1118	SW1118
SW1250	SW1250

SOUND(A-3)

SW1117	SW1118
SW1250	SW1250
CS221	CS221

\*JA6701

ZONE2_L	ZONE2_R	ZONE2_SW
---------	---------	----------

\*JA3206

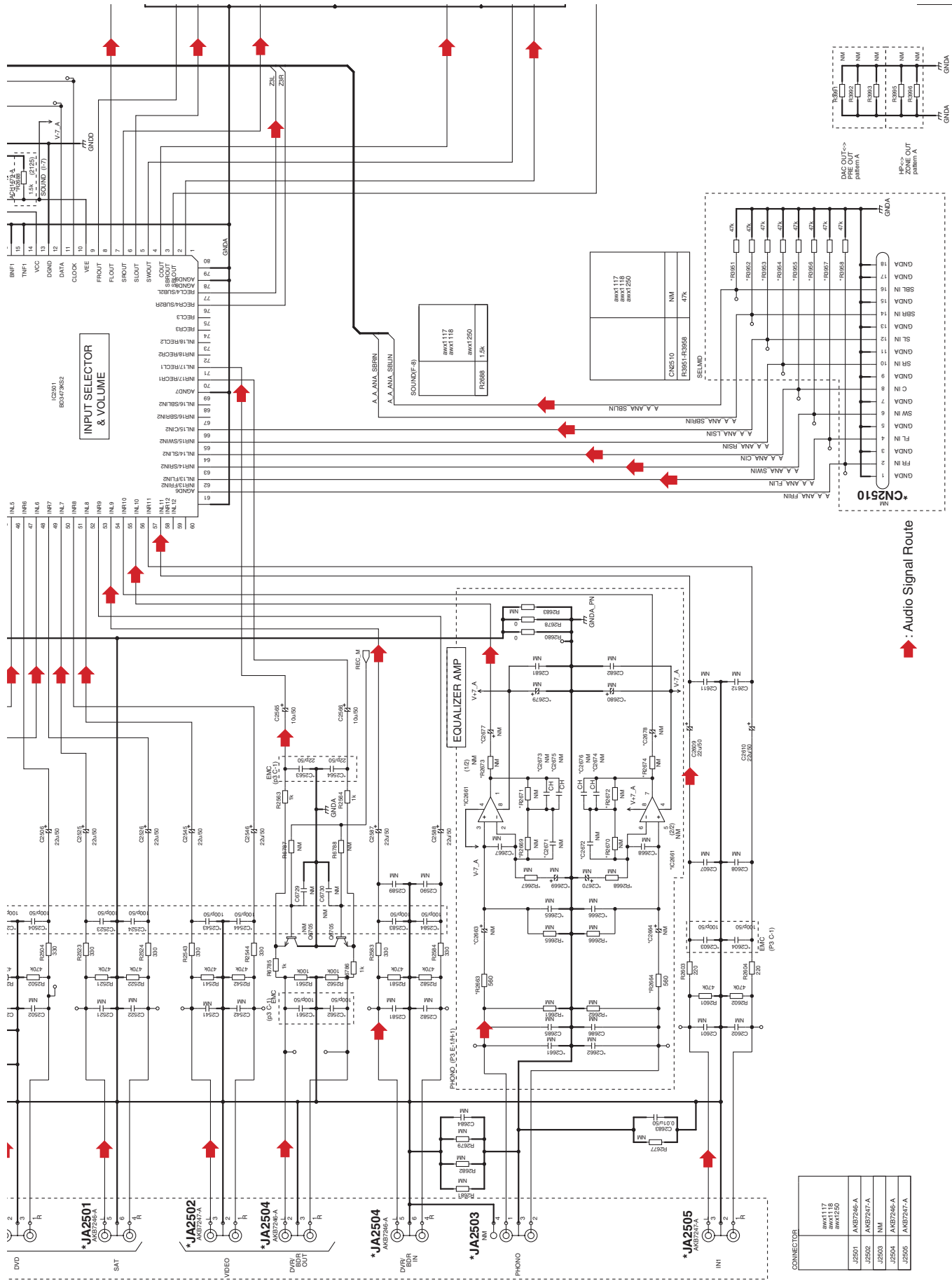
ZONE3_L	ZONE3_R
---------	---------

\*JA2501

DND	1	2	3	4	5
-----	---	---	---	---	---

\*JA2501

1	2	3	4	5
---	---	---	---	---



A-a A-b

Audio Signal Route

IC2501	BD4796S2
IC2504	AMB7246-A
IC2505	AMB7247-A
IC2506	AMB7247-A
IC2507	AMB7247-A
IC2508	AMB7247-A
IC2509	AMB7247-A
IC2510	AMB7247-A
IC2511	AMB7247-A
IC2512	AMB7247-A
IC2513	AMB7247-A
IC2514	AMB7247-A
IC2515	AMB7247-A
IC2516	AMB7247-A
IC2517	AMB7247-A
IC2518	AMB7247-A
IC2519	AMB7247-A
IC2520	AMB7247-A
IC2521	AMB7247-A
IC2522	AMB7247-A
IC2523	AMB7247-A
IC2524	AMB7247-A
IC2525	AMB7247-A
IC2526	AMB7247-A
IC2527	AMB7247-A
IC2528	AMB7247-A
IC2529	AMB7247-A
IC2530	AMB7247-A
IC2531	AMB7247-A
IC2532	AMB7247-A
IC2533	AMB7247-A
IC2534	AMB7247-A
IC2535	AMB7247-A
IC2536	AMB7247-A
IC2537	AMB7247-A
IC2538	AMB7247-A
IC2539	AMB7247-A
IC2540	AMB7247-A
IC2541	AMB7247-A
IC2542	AMB7247-A
IC2543	AMB7247-A
IC2544	AMB7247-A
IC2545	AMB7247-A
IC2546	AMB7247-A
IC2547	AMB7247-A
IC2548	AMB7247-A
IC2549	AMB7247-A
IC2550	AMB7247-A
IC2551	AMB7247-A
IC2552	AMB7247-A
IC2553	AMB7247-A
IC2554	AMB7247-A
IC2555	AMB7247-A
IC2556	AMB7247-A
IC2557	AMB7247-A
IC2558	AMB7247-A
IC2559	AMB7247-A
IC2560	AMB7247-A
IC2561	AMB7247-A
IC2562	AMB7247-A
IC2563	AMB7247-A
IC2564	AMB7247-A
IC2565	AMB7247-A
IC2566	AMB7247-A
IC2567	AMB7247-A
IC2568	AMB7247-A
IC2569	AMB7247-A
IC2570	AMB7247-A
IC2571	AMB7247-A
IC2572	AMB7247-A
IC2573	AMB7247-A
IC2574	AMB7247-A
IC2575	AMB7247-A
IC2576	AMB7247-A
IC2577	AMB7247-A
IC2578	AMB7247-A
IC2579	AMB7247-A
IC2580	AMB7247-A
IC2581	AMB7247-A
IC2582	AMB7247-A
IC2583	AMB7247-A
IC2584	AMB7247-A
IC2585	AMB7247-A
IC2586	AMB7247-A
IC2587	AMB7247-A
IC2588	AMB7247-A
IC2589	AMB7247-A
IC2590	AMB7247-A
IC2591	AMB7247-A
IC2592	AMB7247-A
IC2593	AMB7247-A
IC2594	AMB7247-A
IC2595	AMB7247-A
IC2596	AMB7247-A
IC2597	AMB7247-A
IC2598	AMB7247-A
IC2599	AMB7247-A
IC2600	AMB7247-A

# 10.2 AUDIO ASSY (2/3)

A  
B  
C  
D  
E  
F

NOTE 1. RESISTORS:  
Unit: k, Ω, M, MΩ or Ω unless otherwise noted.  
Rated Power: 1/10w unless otherwise noted.  
Tolerance: J(5%), unless otherwise noted.  
212B: RS18SQ  
NO MARKED - PS110SR

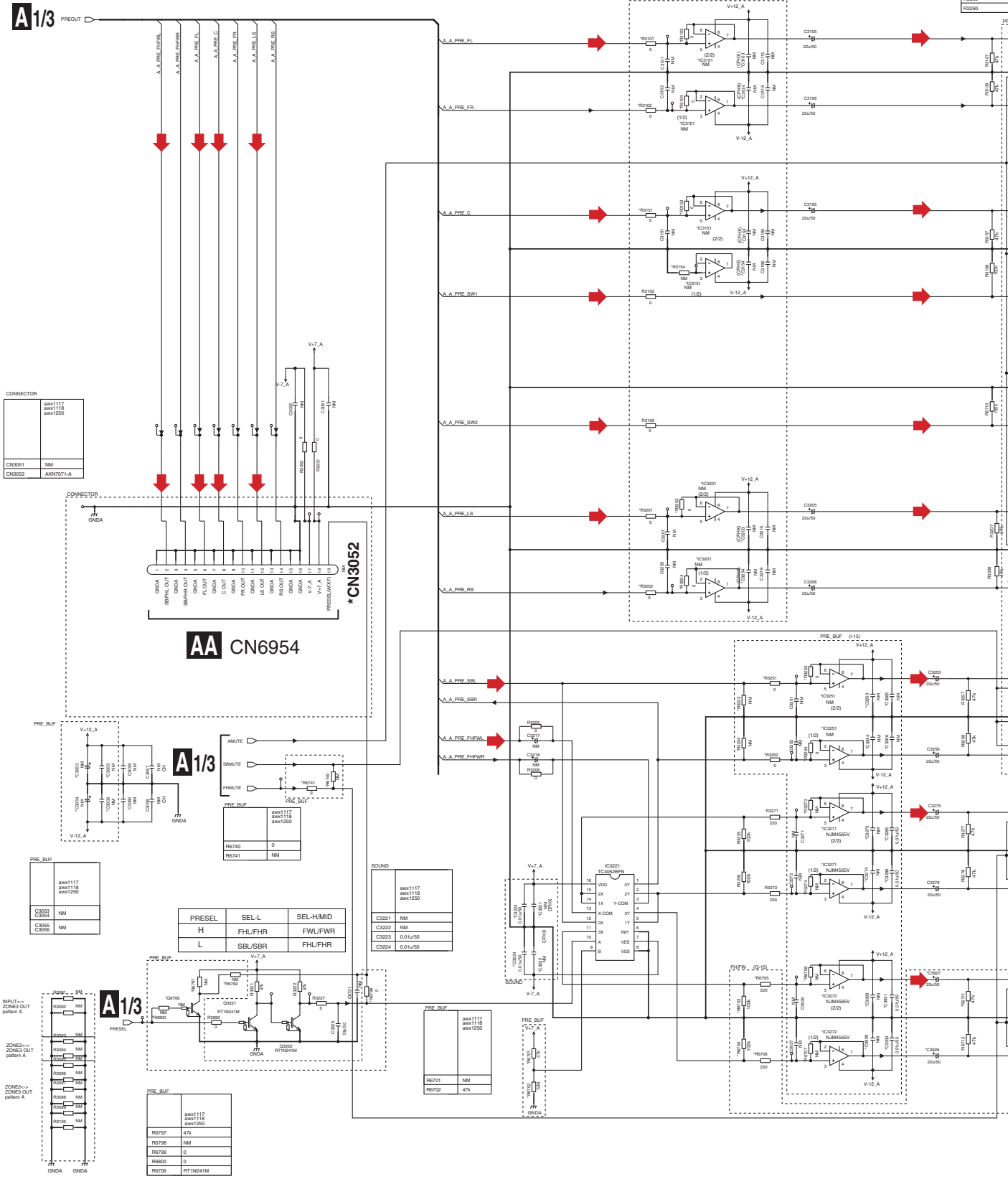
2. CAPACITORS:  
No marked Ceramic Capacitors are CKSRVB.  
No marked Electrolytic Capacitors are CEAT1V(X and VSA series)  
No marked Electrolytic Capacitors are CEAKSC series)  
CHCCSICH1 CFHX CHXSG unless otherwise noted.  
Unit: pF or uF unless otherwise noted.  
Ratings: Capacity(F) Voltage(V) unless otherwise noted.  
1000p or less - CCGRCA, Over 1000p - CGSRVB

3. NM: No Mount

The  $\Delta$  mark found on some component parts should be replaced with same part(supply regulation authorized) of identical designation.

PRE\_BUFFER - 19

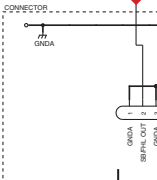
R3109
R3110
R3140
R3209
R3210
R3259
R3260



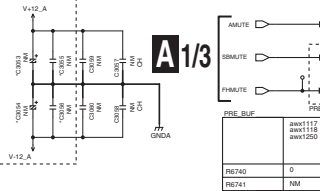
CONNECTOR

aw1117
aw1118
aw1250

CN051	NM
CN052	AKN7071-A

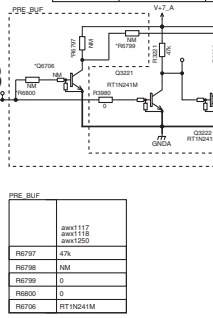


**AA CN6954**



R740	0
R741	NM

PRESEL	SEL-L	SEL-H/MID
H	FHL/FHR	FWL/FWR
L	SLS/SBR	FHL/FHR



PRE\_BUFFER

aw1117
aw1118
aw1250

R877	47K
R878	NM
R879	0
R880	0
R876	RT1N241M

SOUND

aw1117
aw1118
aw1250

C3221	NM
C3222	NM
C3223	0.01uF/50
C3224	0.01uF/50

PRE\_BUFFER

aw1117
aw1118
aw1250

R8701	NM
R8702	47K

**A2/3**

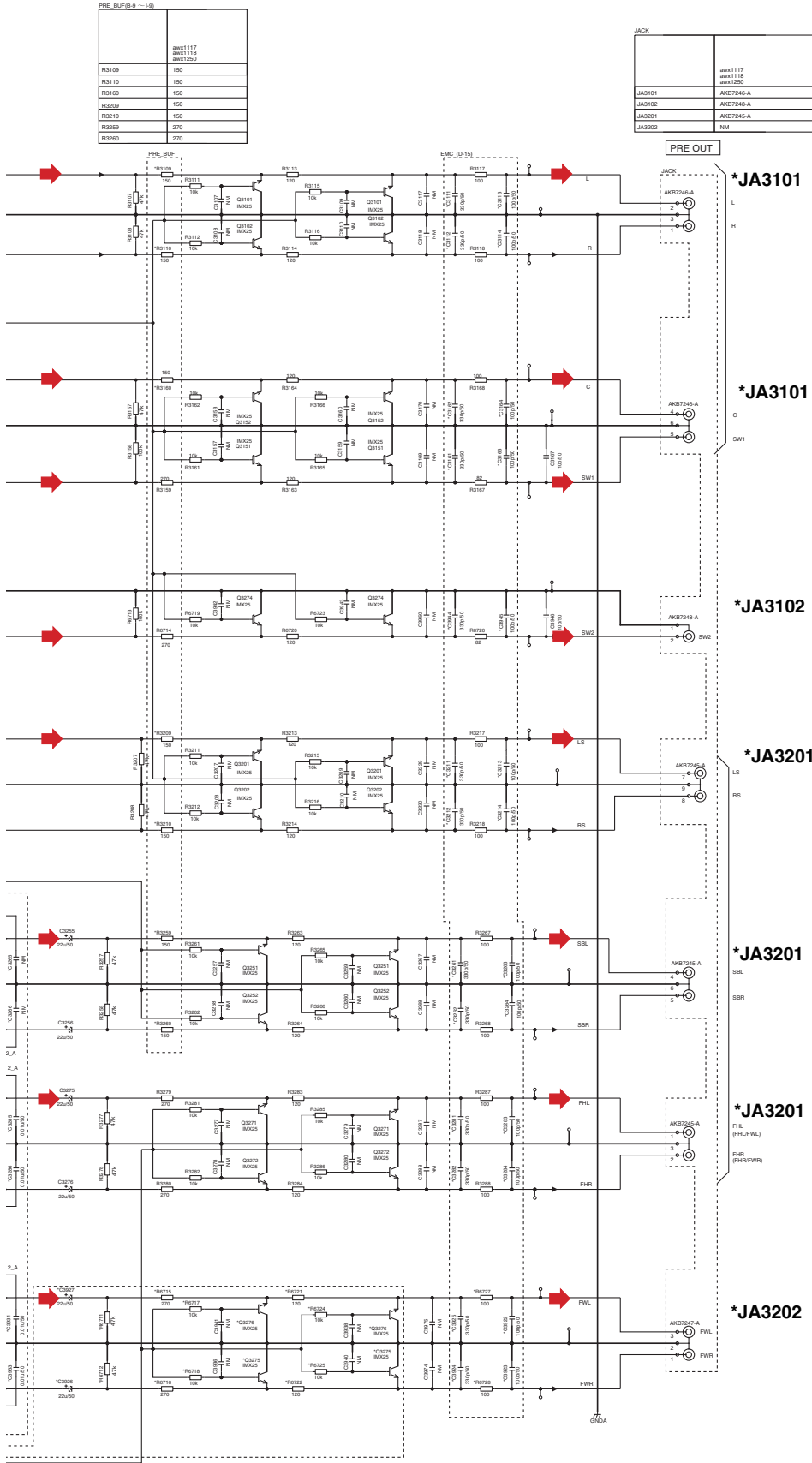
1

2

3

4

# A2/3 AUDIO ASSY (2/3) (AWX1117)



PRE_BUF(B-19)	
Part	AWX1117 AWX1118 AWX1250
R3109	150
R3110	150
R3140	150
R3209	150
R3210	150
R3259	270
R3260	270

JACK	
Part	AWX1117 AWX1118 AWX1250
JA3101	AKB7246-A
JA3102	AKB7248-A
JA3201	AKB7245-A
JA3202	NM

PRE_BUF(B-20)	
Part	AWX1117 AWX1118 AWX1250
C3103	NM
C3104	NM
C3153	NM
C3154	NM
C3203	NM
C3204	NM
R3101	0
R3102	0
R3103	0
R3104	0
R3151	0
R3152	0
R3153	0
R3154	NM
R3201	0
R3202	0
R3203	0
R3204	0
IC3101	NM
IC3151	NM
IC3201	NM

EMQ118 (-11L)	
Part	AWX1117 AWX1118 AWX1250
C3111	330p/50 NM
C3112	330p/50 NM
C3113	100p/50 NM
C3114	100p/50 NM
C3161	330p/50 NM
C3162	330p/50 NM
C3163	100p/50 NM
C3164	100p/50 NM
C3211	330p/50 NM
C3212	330p/50 NM
C3213	100p/50 NM
C3214	100p/50 NM
C3261	330p/50 NM
C3262	330p/50 NM
C3263	100p/50 NM
C3264	100p/50 NM
C3281	330p/50 NM
C3282	330p/50 NM
C3283	100p/50 NM
C3284	100p/50 NM
C3292	NM NM
C3293	NM NM
C3294	NM NM
C3295	NM NM
C3296	330p/50 NM
C3297	100p/50 NM
C3298	100p/50 NM
C3299	NM NM
C3277	NM NM
C3278	NM NM

FHFW(7K-10G)	
Part	AWX1117 AWX1118 AWX1250
C3205	NM
C3207	NM
R3703	NM
R3704	NM
R3705	NM
R3706	NM
R3711	NM
R3712	NM
R3715	NM
R3716	NM
R3717	NM
R3718	NM
R3721	NM
R3722	NM
R3724	NM
R3725	NM
G3275	NM
G3276	NM

PRE_BUF(A-8 K-8)	
Part	AWX1117 AWX1118 AWX1250
C3253	NM
C3254	NM
C3265	0.01u/50
C3266	0.01u/50
C3275	NM
C3274	NM
C3285	0.01u/50
C3286	0.01u/50
C3298	NM
C3299	NM
C3301	NM
C3303	NM
R3223	100k
R3224	100k
R3251	220
R3252	220
R3253	NM
R3254	NM
R3273	NM
R3274	NM
R3276	NM
R3278	NM
IC3251	NLM4665V
IC3271	NLM4665V
IC3272	NM

➔ Audio Signal Route





# 10.3 AUDIO ASSY (3/3)

A

EMC(p1 A-2)

	awx1250	awx1117 awx1118
C6703	NM	470p/50
C6704	NM	470p/50
C6708	NM	470p/50
C2971	NM	470p/50
C2972	NM	470p/50

I-ctrl(p1 A-5)

	awx1117	awx1118	awx1250
R3030	4.7k	4.7k	NM
R3031	4.7M	4.7M	4.7k
R3032	1.8k	1.5k	1M
R3034	4.7k	4.7k	NM
R3041	NM	NM	NM
R3043	NM	NM	100k

B

JACK(p1 A-1)

		awx1117 awx1118 awx1250
JA3206		AKB7247-A
JA6701		AKB7249-A

SELMID(1p B-8/B-9)

	awx1117 awx1118 awx1250
C2701	0.01/50
C2702	0.01/50
C2711	NM
C2712	NM
C2705	0.01/50
C2706	0.01/50
C2709	NM
C2710	NM
IC2702	NJM4565MD

TUNER(p1 E-1)

	awx1250	awx1117 awx1118 awx1273
R3908	NM	0
R3909	NM	0

C

EMC(p1 H-2/F-3H-4/K-3)

	awx1250	awx1117 awx1118
C2503	NM	100p/50
C2504	NM	100p/50
C2523	NM	100p/50
C2524	NM	100p/50
C2543	NM	100p/50
C2544	NM	100p/50
C2583	NM	100p/50
C2584	NM	100p/50
C2561	NM	100p/50
C2562	NM	100p/50
C2563	NM	22p/50
C2564	NM	22p/50
C2603	NM	100p/50
C2604	NM	100p/50

PRE\_BUF(p1 C-11)

	awx1117 awx1118 awx1250
C3953 C3954	NM
R6747 R6748	NM

SOUND(1p E-12)

	awx1117 awx1118	awx1250
C2815	0.01u/50	NM
C2816	0.01u/50	NM

D

PHONO(p1 J-3)

	awx1117 awx1118 awx1250
C2661	NM
C2662	NM
C2663	NM
C2664	NM
C2665	NM
C2666	NM
C2667	NM
C2668	NM
C2669	NM
C2670	NM
C2671	NM
C2672	NM
C2673	NM
C2674	NM
C2675	NM
C2676	NM
C2677	NM
C2678	NM
C2679	NM
C2680	NM
R2661	NM
R2662	NM
R2663	NM
R2664	NM
R2665	NM
R2666	NM
R2667	NM
R2668	NM
R2669	NM
R2670	NM
R2671	NM
R2672	NM
R2673	NM
R2674	NM

SELMID(1p H-10H-12/I-13)

	awx1117 awx1118 awx1250
C2761	0.01u/50
C2762	0.01u/50
C2763	NM
C2764	NM
C6718	0.01u/50
C6719	0.01u/50
IC2702	NJM4565MD

SOUND(1p C-15)

	awx1117 awx1118	awx1250
R2862	47k	
R2864 R6738	47k	

E

SOUND(1p B-7)

	awx1117 awx1118	awx1250
R3017	NM	

F

PHONO(p1 J-3)

	awx1117 awx1118 awx1250
IC2661	NM

# A 3/3 AUDIO ASSY (3/3) (AWX1117)

TUNER(p1 K-14)

	awx1250	awx1117 awx1118
C3901	NM	27p/50
C3903	NM	100u/50
C3906	NM	100u/50
C3907	NM	0.01u/50
C3908	NM	10p/50
C3909	NM	330p/50
C3911	NM	10p/50
C3912	NM	10p/50
C3913	NM	10p/50
C3914	NM	100p/50
C3915	NM	10p/50
C3916	NM	10p/50
C3917	NM	10p/50
C3918	NM	0.1u/50
R3901	NM	0
R3902	NM	0
R3903	NM	0
R3904	NM	2.2k
R3905	0	1M
R3906	0	1M
R3907	NM	0
R3914	NM	3.3k
R3915	NM	3.3k
R3916	NM	330
R3917	NM	0
R3918	NM	0
R3919	NM	0
R3920	47k	NM
R3921	47k	NM
R3976	NM	0
CN3902	NM	9604S-09C
D3902	NM	RKZ5.6KG(B2)
D3903	NM	RKZ3.3KG(B2)
Q3901	NM	2SC5712

Capacitor(1p B-6/C-6)

	awx1117 awx1118	awx1250
C3001		2.2u/50
C3002		
C3025		10u/50
C3026		

SOUND(1p B-3/i-14)

	awx1117 awx1118	awx1250
IC6701		NJM4565MD
IC6702		

SOUND(C-10)

	awx1117 awx1118	awx1250
C2707		10u/50
C2708		

SOUND(G-9 ~ J-9)

	awx1117 awx1118	awx1250
C2751		10u/50
C2752		
C2753		
C2754		
C2755		
C2756		
C2757		
C2758		

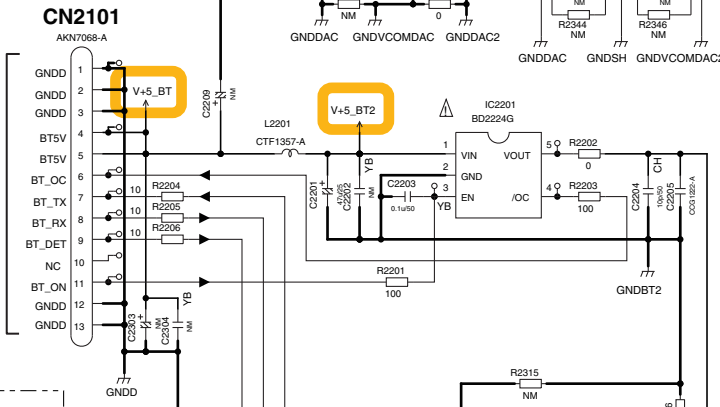
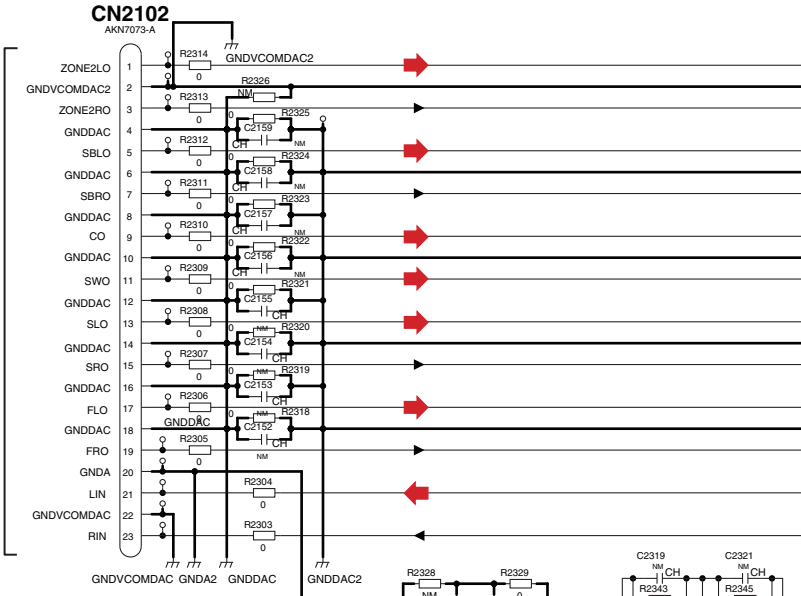
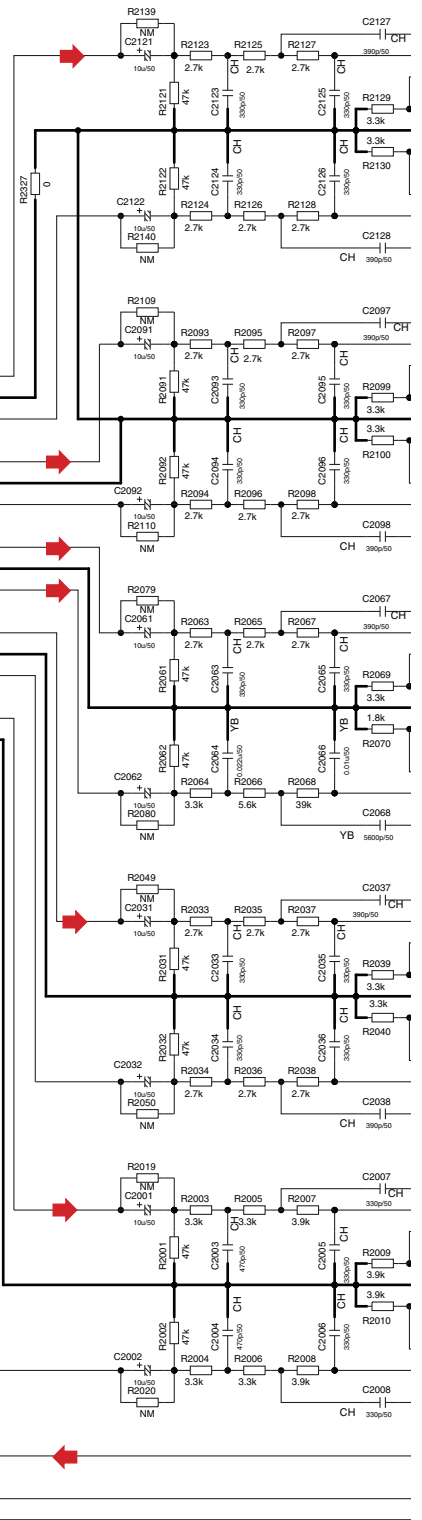
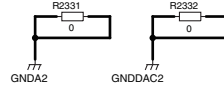
## NOTE

- RESISTORS  
Unit: k-k Ω, M-M Ω or Ω unless otherwise noted.  
Rated Power: 1/10w unless otherwise noted.  
Tolerance: J:5% unless otherwise noted.  
2125 : RS1/8SQ  
NO MARKED : RS1/10SR
- CAPACITORS  
No marked Ceramic Capacitors are CKSRYB.  
No marked Electrolytic Capacitors are CEAT(VSX and VSA series)  
No marked Electrolytic Capacitors are CEAK(SC series)  
CH:CCSRCH CFHX:CFHXSQ unless otherwise noted.  
Unit: p-pF or u-uF unless otherwise noted.  
Ratings: Capacity(F)/Voltage(V) unless otherwise noted.  
1000p or less : CCSRCH, Over 1000p : CKSRYB
- NM: No Mount

The  $\triangle$  mark found on some component parts should be replaced with same parts (safety regulation authorized) of identical designation.

# 10.4 FILTER ASSY

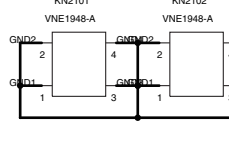
awx1159		awx1276	
C2161	0.01u/50	NM	
C2162	0.01u/50	NM	
R2017	10	0	
R2018	10	0	
R2341	100	120	
R2342	100	120	



**NOTE**

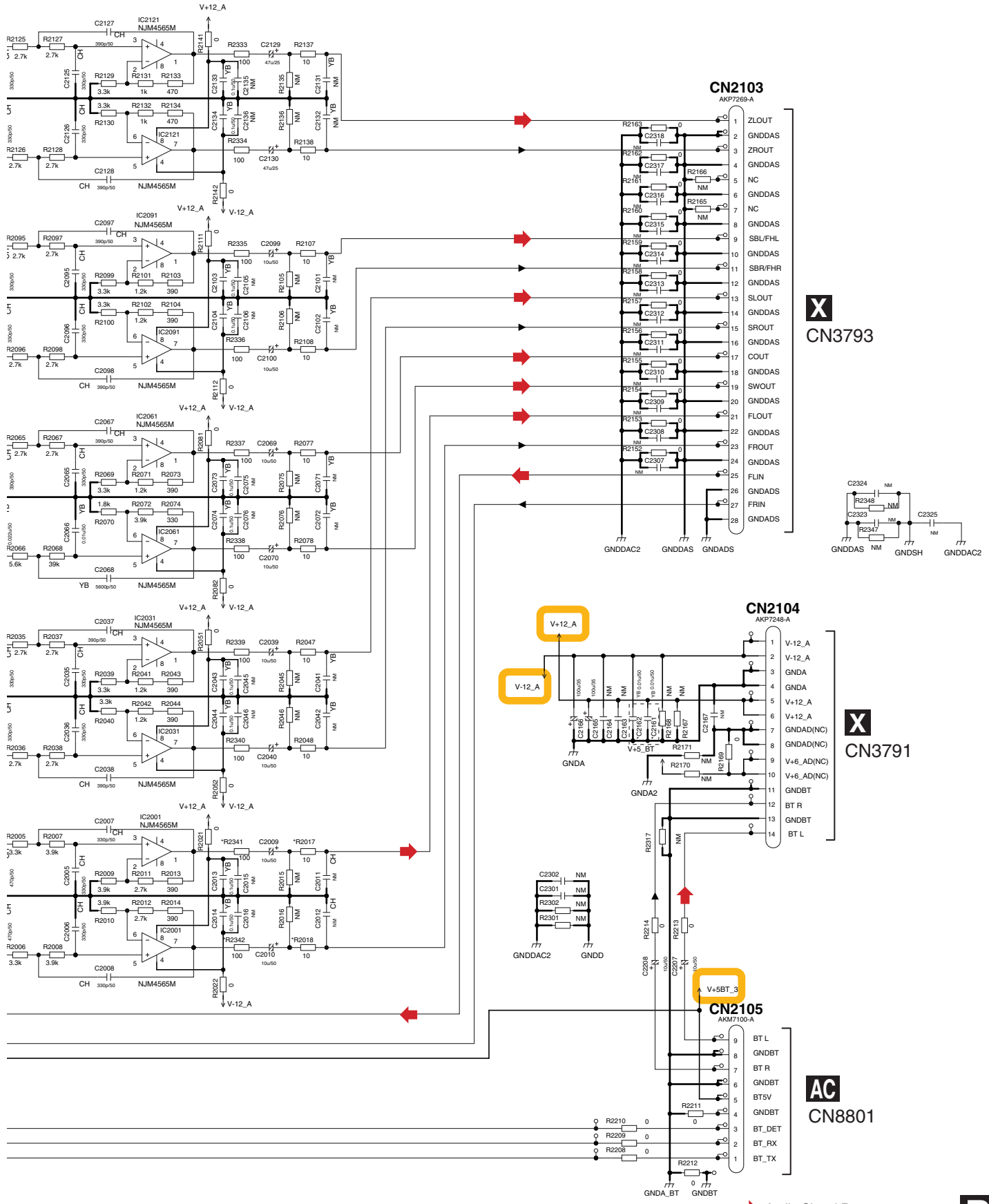
- RESISTORS**  
Unit: k-k $\Omega$ , M-M $\Omega$  or  $\Omega$  unless otherwise noted.  
Rated Power: 1/10w unless otherwise noted.  
Tolerance: (J)5% unless otherwise noted.  
MUF: RD14MUF  
2125: RS1/BSQ, 3216: RS1/4SA  
NO MARKED: RS1/10SR unless otherwise noted.
- CAPACITORS**  
Unit: p-pF or u-uF unless otherwise noted.  
Ratings: Capacity(F)/Voltage(V) unless otherwise noted.  
CH: CCSRCH, CFTLA: CFTLA  
NO MARKED: CCSRBYB or CEAK
- NM: No Mount

The  $\Delta$  mark found on some component parts should be replaced with same parts (safety regulation authorized) of identical designation.

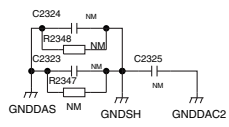


**B**

# B FILTER ASSY (AWX1159)



**X** CN3793



**X** CN3791

**AC** CN8801

➔ Audio Signal Route

SC-63

# 10.5 FRONT HDMI USB ASSY

1 2 3 4

A

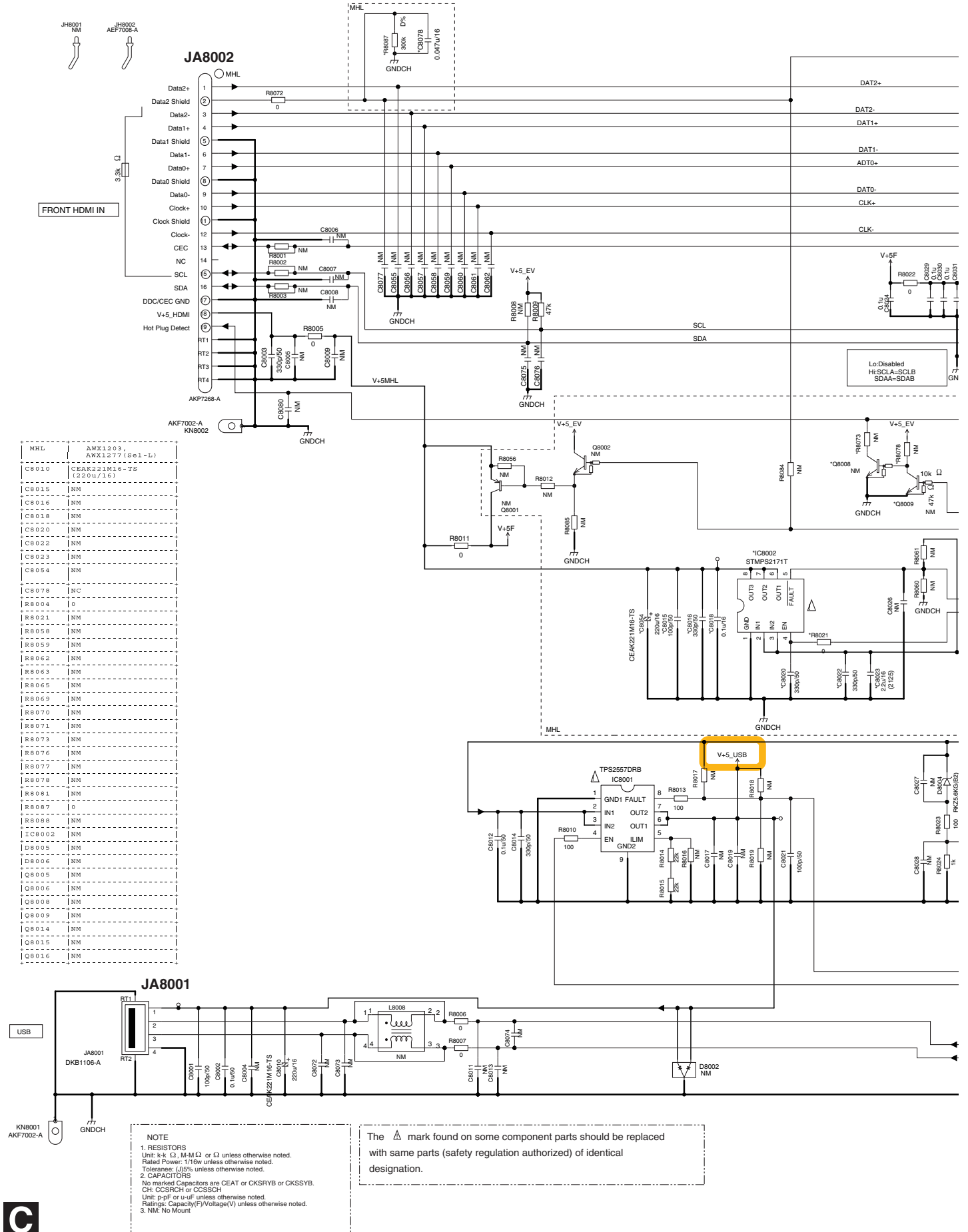
B

C

D

E

F



**NOTE**  
 1. RESISTORS  
 Unit: k- $\Omega$ , M-M $\Omega$  or  $\Omega$  unless otherwise noted.  
 Rated Power: 1/16w unless otherwise noted.  
 Tolerance: (J)5% unless otherwise noted.  
 2. CAPACITORS  
 No marked Capacitors are CEAT or CKSRYB or CKSSYB.  
 CH: CCSRCH or CCSSCH  
 Unit: p-pF or u-uF unless otherwise noted.  
 Ratings: Capacity(F)/Voltage(V) unless otherwise noted.  
 3. NM: No Mount

The  $\Delta$  mark found on some component parts should be replaced with same parts (safety regulation authorized) of identical designation.

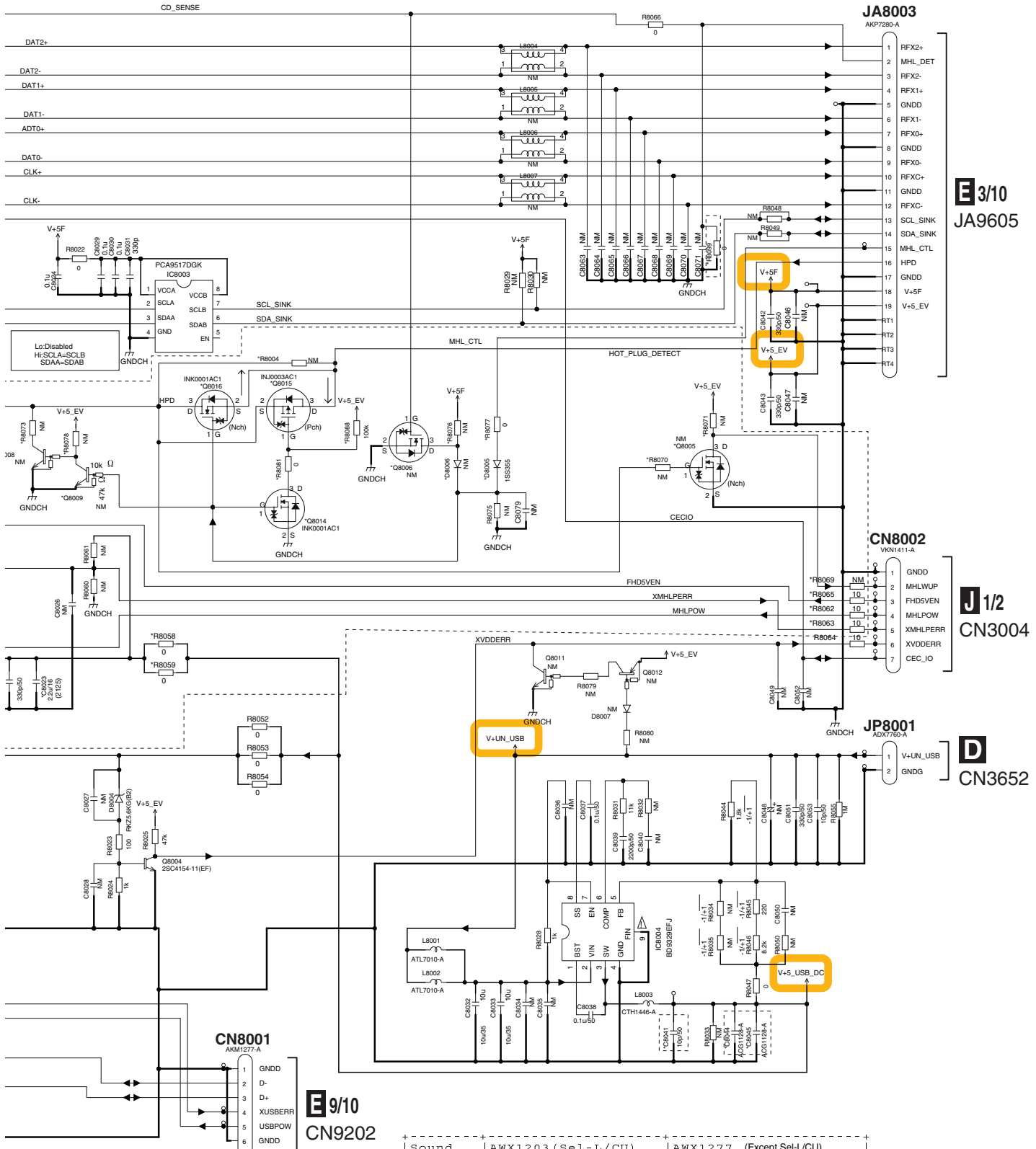


1 2 3 4



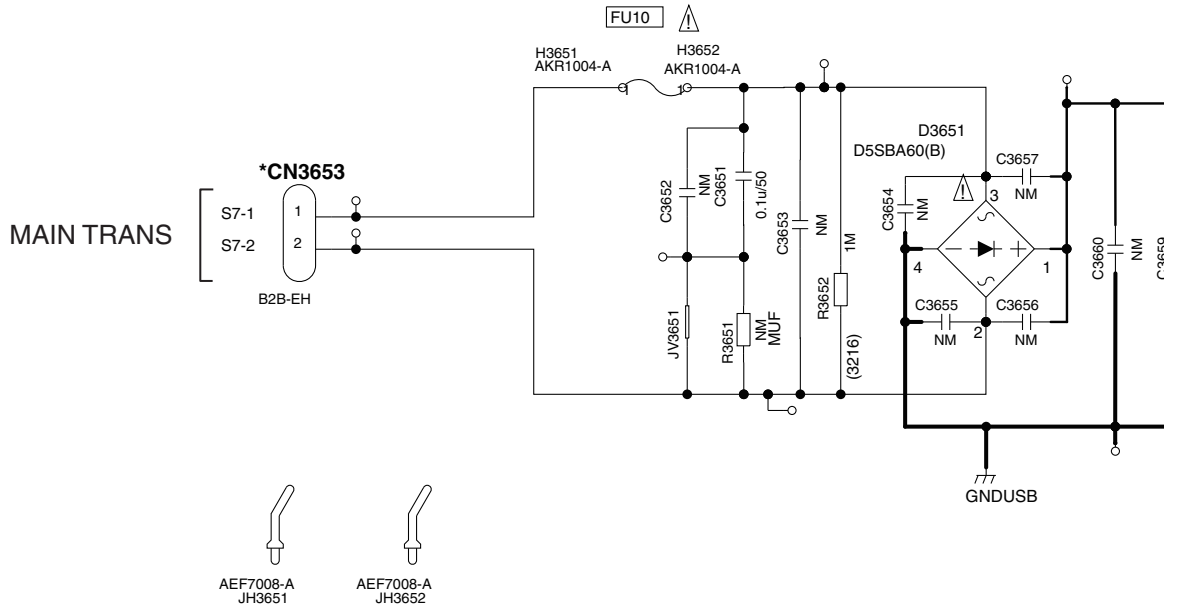
# C FRONT HDMI USB ASSY (AWX1203)

A  
B  
C  
D  
E  
F



	AWX1203 (Sel-L/CU)	AWX1277 (Except Sel-L/CU)
C8041	NC	10p/50V
C8044	ACG1128-A-T (10u/16V)	CCG1236-A-T (10u/35V)
C8045	ACG1128-A-T (10u/16V)	CCG1236-A-T (10u/35V)
R8099	NC	0

# 10.6 USB RECT ASSY




**NOTE**

1. RESISTORS  
 Unit: k-k Ω, M-M Ω or Ω unless otherwise noted.  
 Rated Power: 1/10W unless otherwise noted.  
 Tolerance: (J)5% unless otherwise noted.  
 MUF : RD1/4MUF  
 2125 : RS1/8SQ

2. CAPACITORS  
 Unit: p-pF or u-uF unless otherwise noted.  
 Ratings: Capacity(F)/Voltage(V) unless otherwise noted.  
 CH : CCSRCH  
 NO MARKED : CEAT or CKSRYB

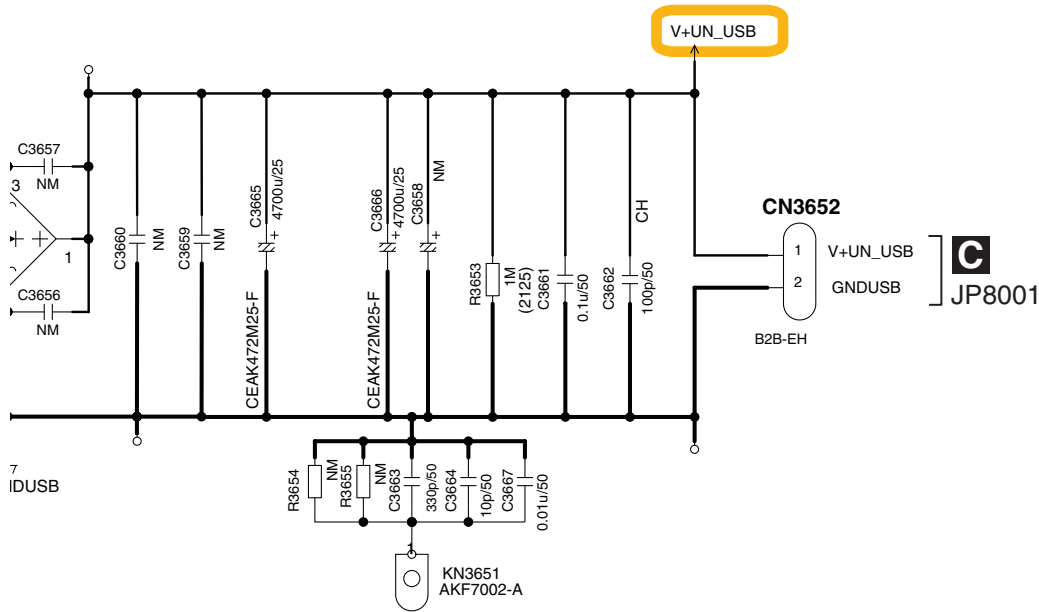
3. NM : NO MOUNT

**CAUTION - FOR CONTINUED PROTECTION AGAINST RISK OF FIRE, REPLACE WITH SAME TYPE AND RATINGS OF FUSE.**

The  mark found on some component parts should be replaced with same parts (safety regulation authorized) of identical designation.

# D USB RECT ASSY (AWX1259)

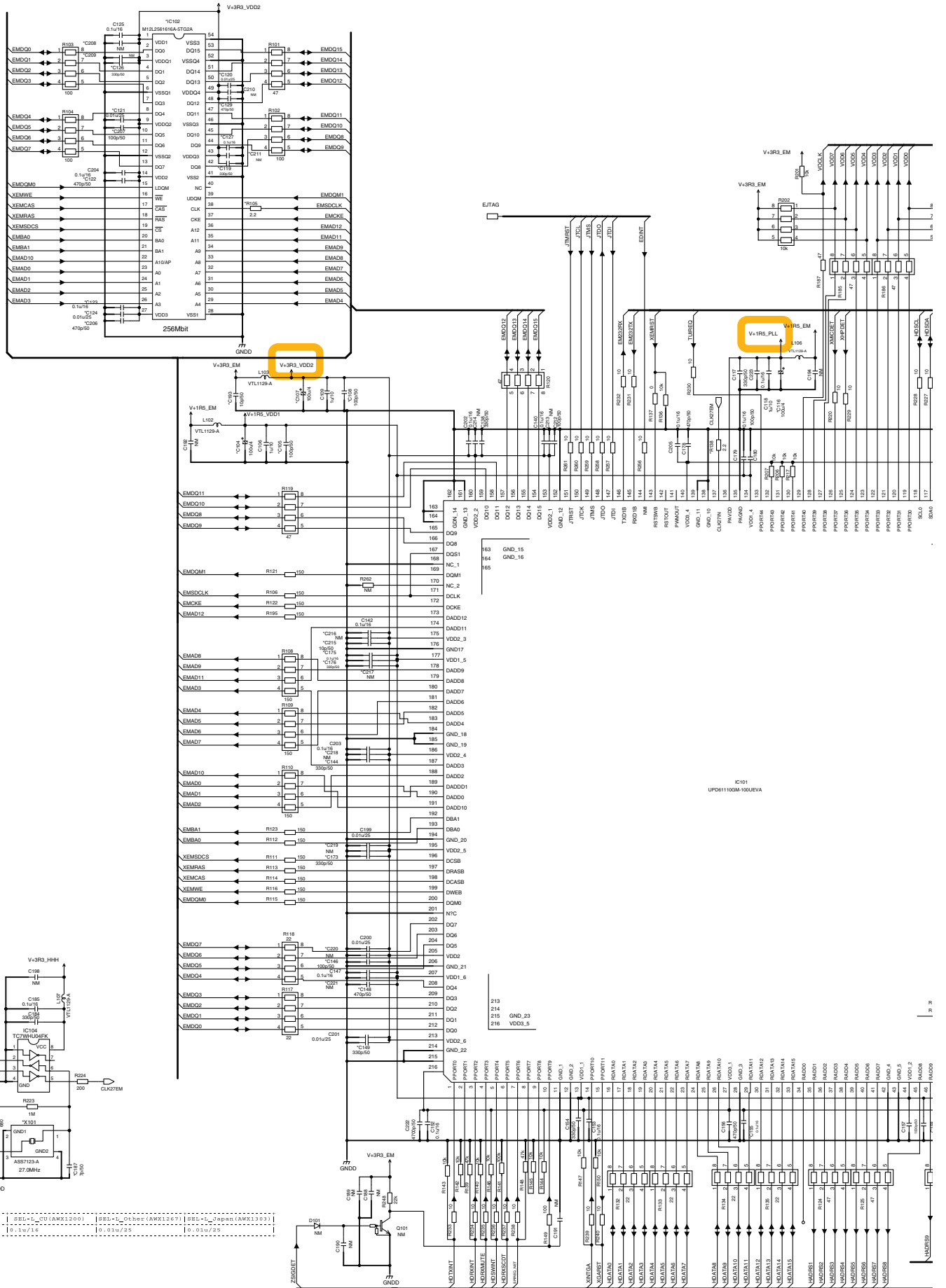
A  
B  
C  
D  
E  
F



OF FIRE,

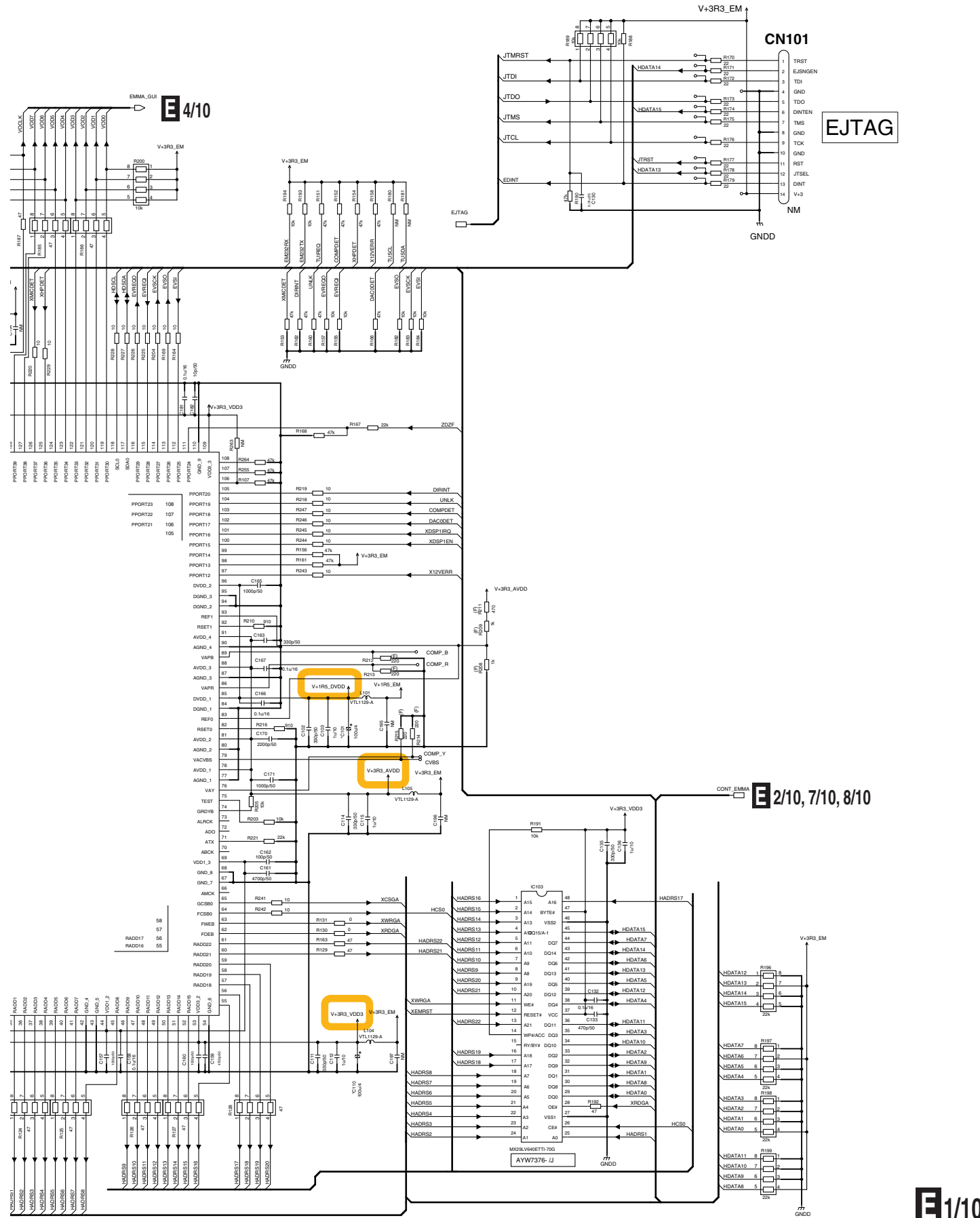
	CN3651	CN3653		
Se1-L	NC	B2B-EH	NC	NC

# 10.7 DIGITAL MAIN ASSY (1/10)



# E1/10 DIGITAL MAIN ASSY (1/10) (AWX1200)

A  
B  
C  
D  
E  
F



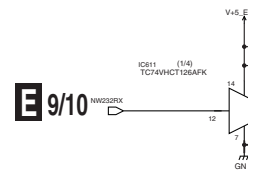
SC-63



# 10.8 DIGITAL MAIN ASSY (2/10)

1 2 3 4

A



1/10, 7/10, 8/10

3/10 - 10/10

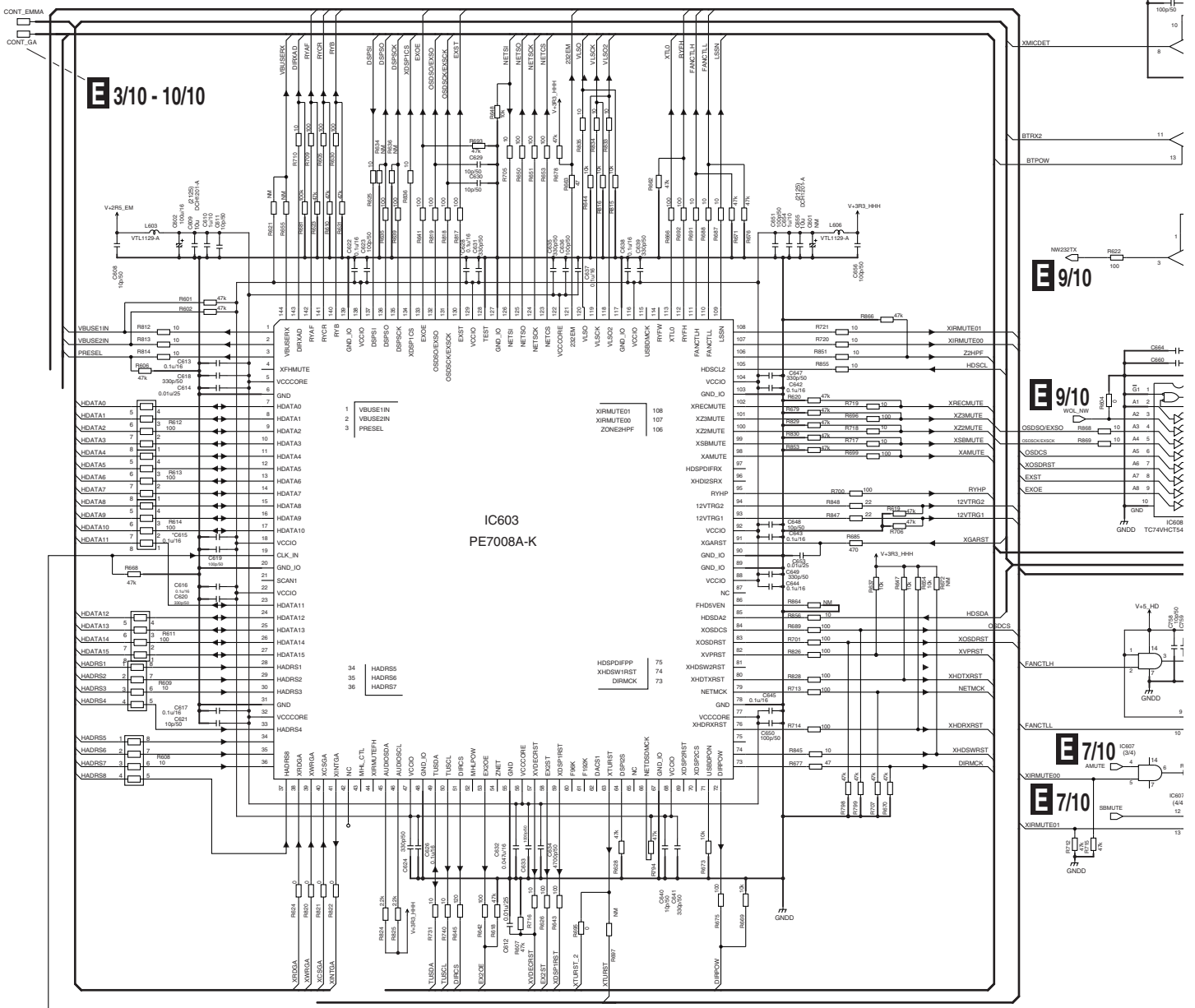
B

C

D

E

F



2/10

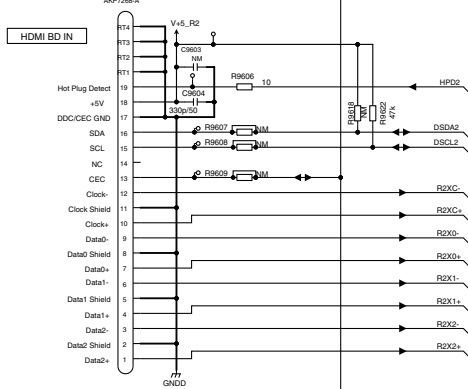
1 2 3 4



# 10.9 DIGITAL MAIN ASSY (3/10)

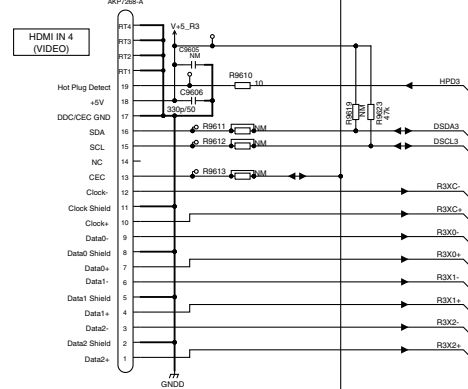
A

**JA9602**



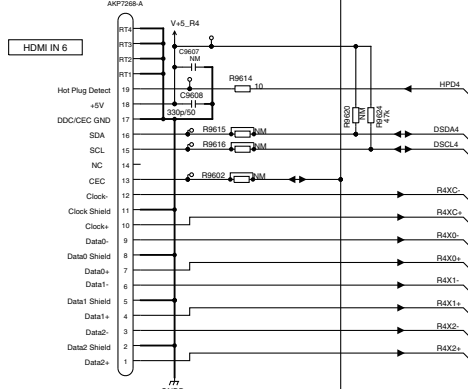
B

**JA9603**



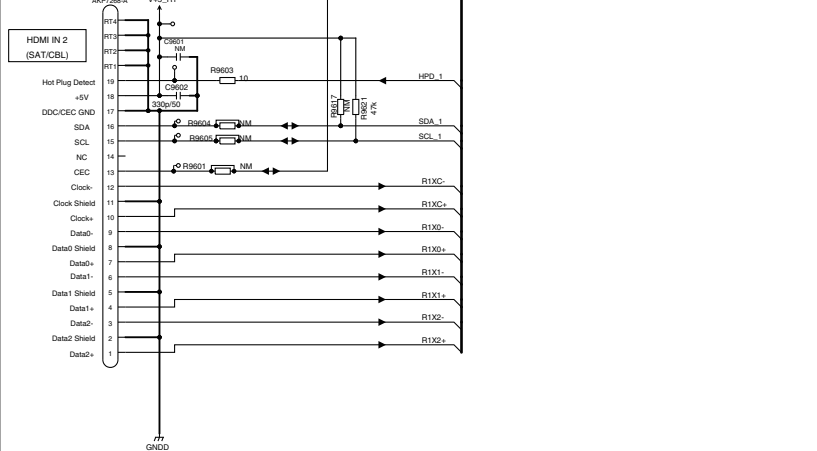
C

**JA9604**



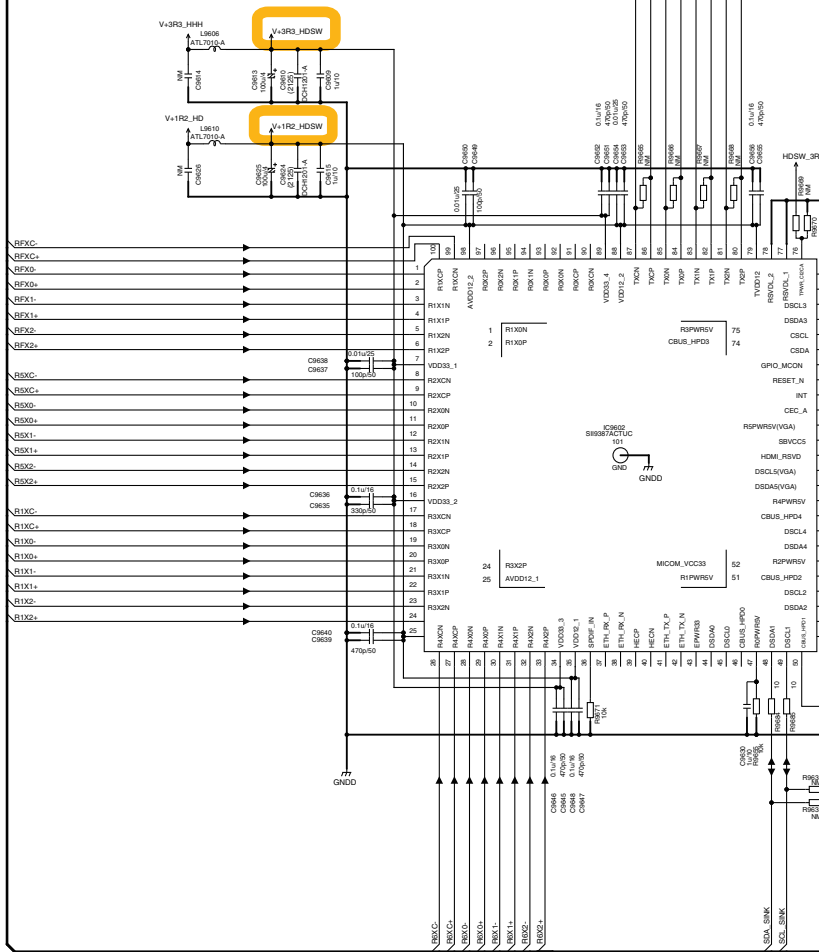
D

**JA9601**



E

F



1

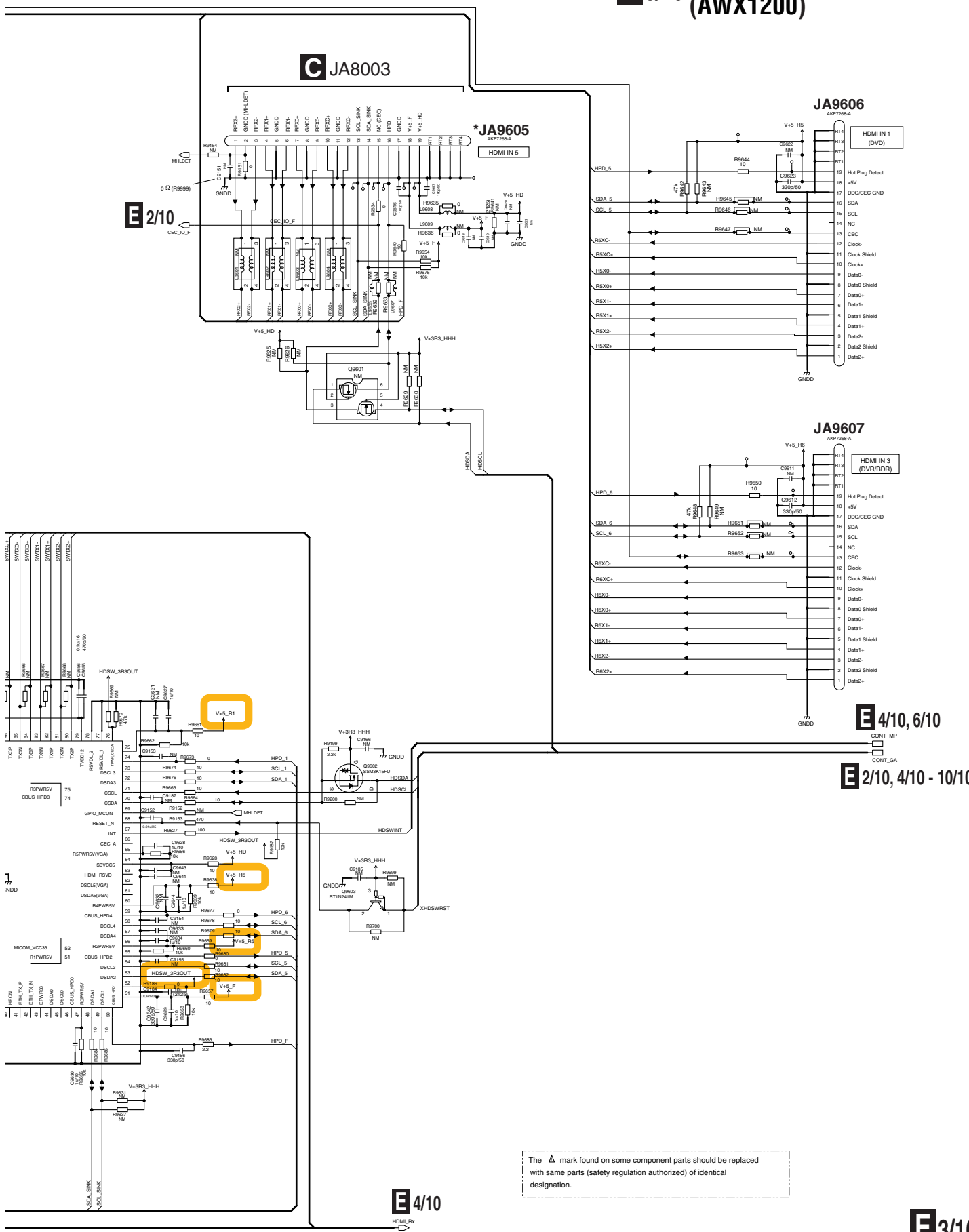
2

3

4

# E3/10 DIGITAL MAIN ASSY (3/10) (AWX1200)

A  
B  
C  
D  
E  
F



The  $\Delta$  mark found on some component parts should be replaced with same parts (safety regulation authorized) of identical designation.

E4/10

E4/10, 6/10

E2/10, 4/10 - 10/10

# 10.10 DIGITAL MAIN ASSY (4/10)

1

2

3

4

A

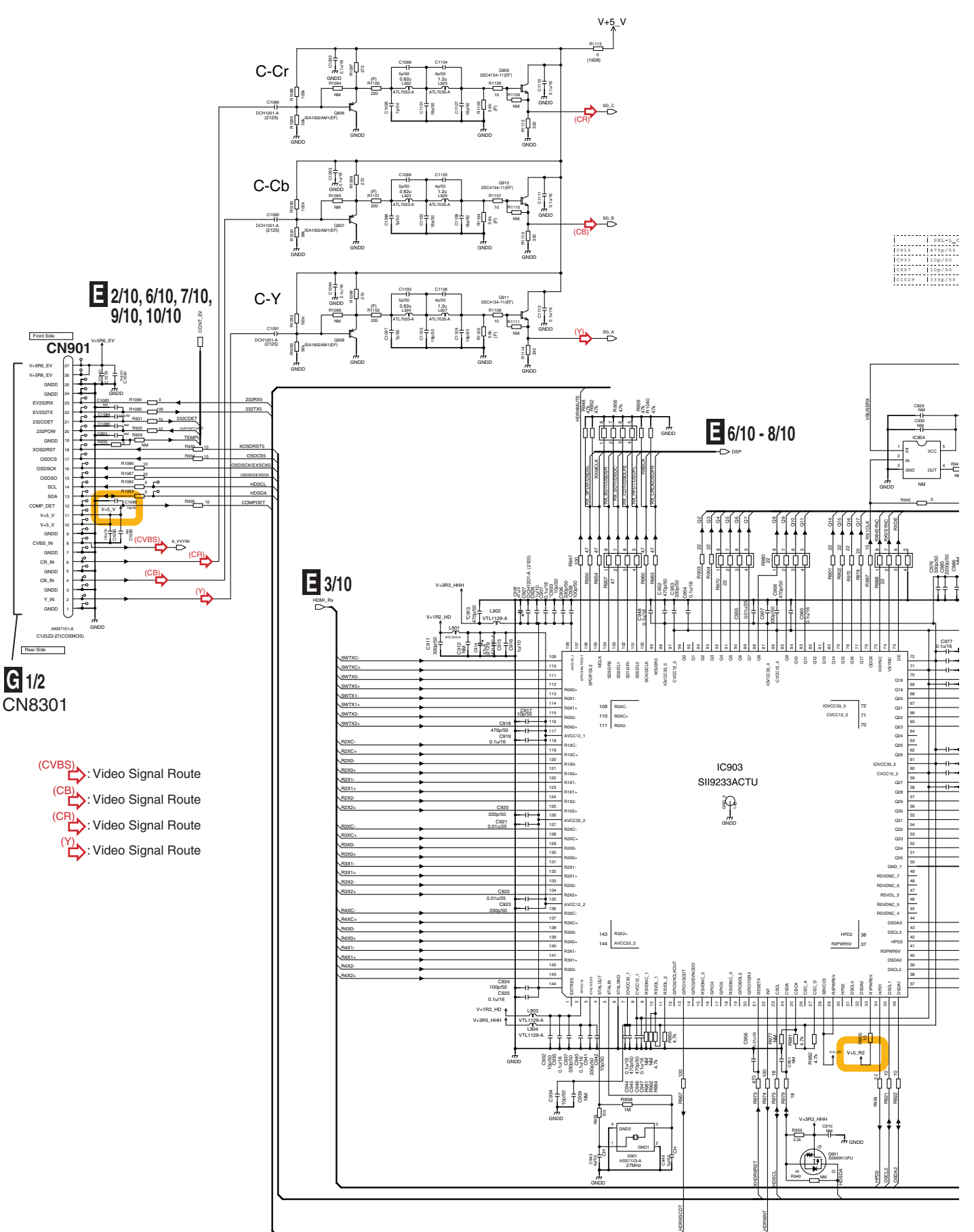
B

C

D

E

F



**G** 1/2  
CN8301

- (CVBS) Video Signal Route
- (CB) Video Signal Route
- (CR) Video Signal Route
- (Y) Video Signal Route

**E** 4/10

1

2

3

4

# E4/10 DIGITAL MAIN ASSY (4/10) (AWX1200)

A

B

C

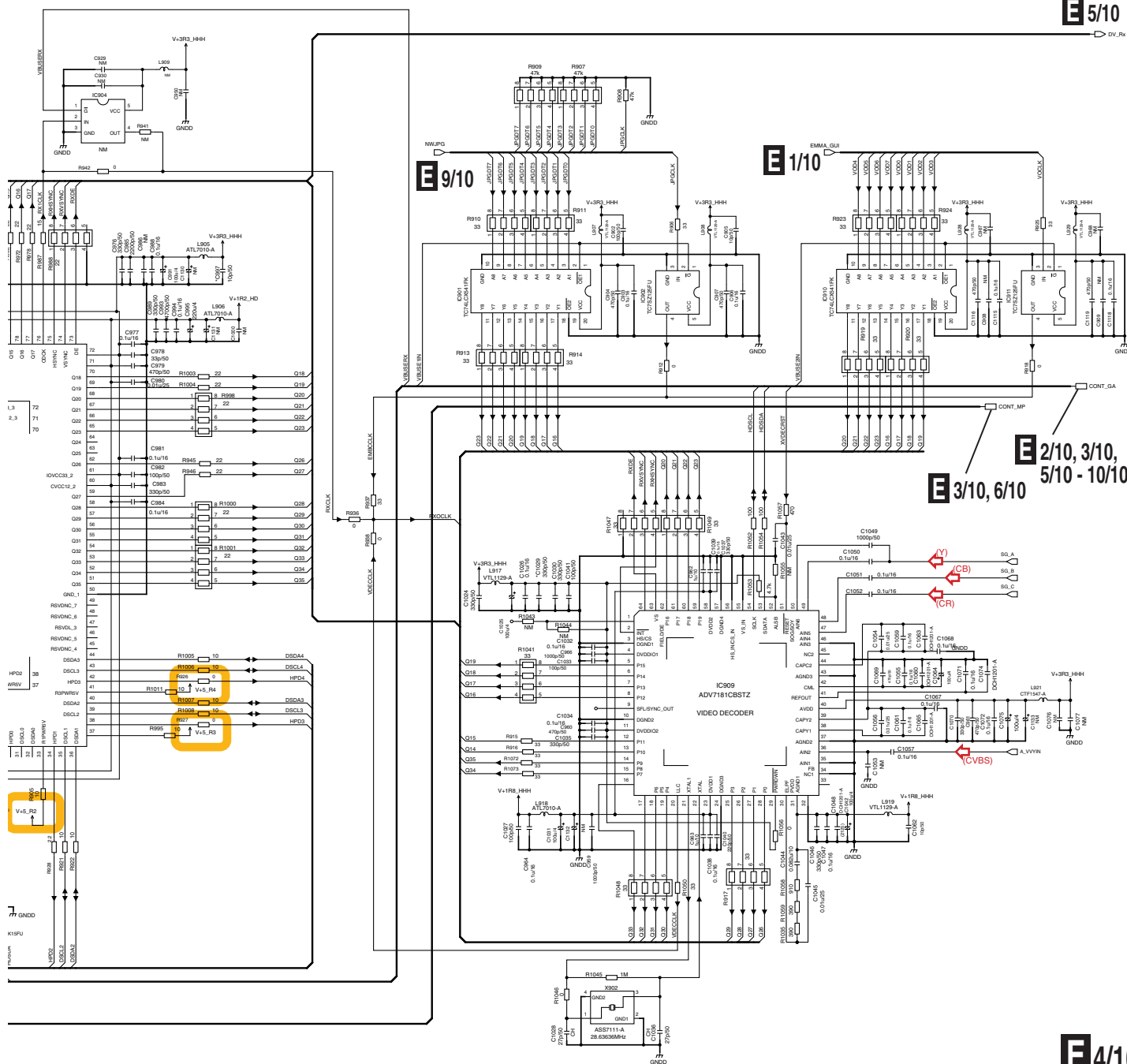
D

E

F

1000	1000/50	10.00U/50	10.00U/50
1001	1000/50	10.00U/50	10.00U/50
1002	1000/50	10.00U/50	10.00U/50
1003	1000/50	10.00U/50	10.00U/50
1004	1000/50	10.00U/50	10.00U/50
1005	1000/50	10.00U/50	10.00U/50
1006	1000/50	10.00U/50	10.00U/50
1007	1000/50	10.00U/50	10.00U/50
1008	1000/50	10.00U/50	10.00U/50
1009	1000/50	10.00U/50	10.00U/50
1010	1000/50	10.00U/50	10.00U/50

All 1u10 is DCH1246-A



E5/10 DV\_RA

E9/10

E1/10

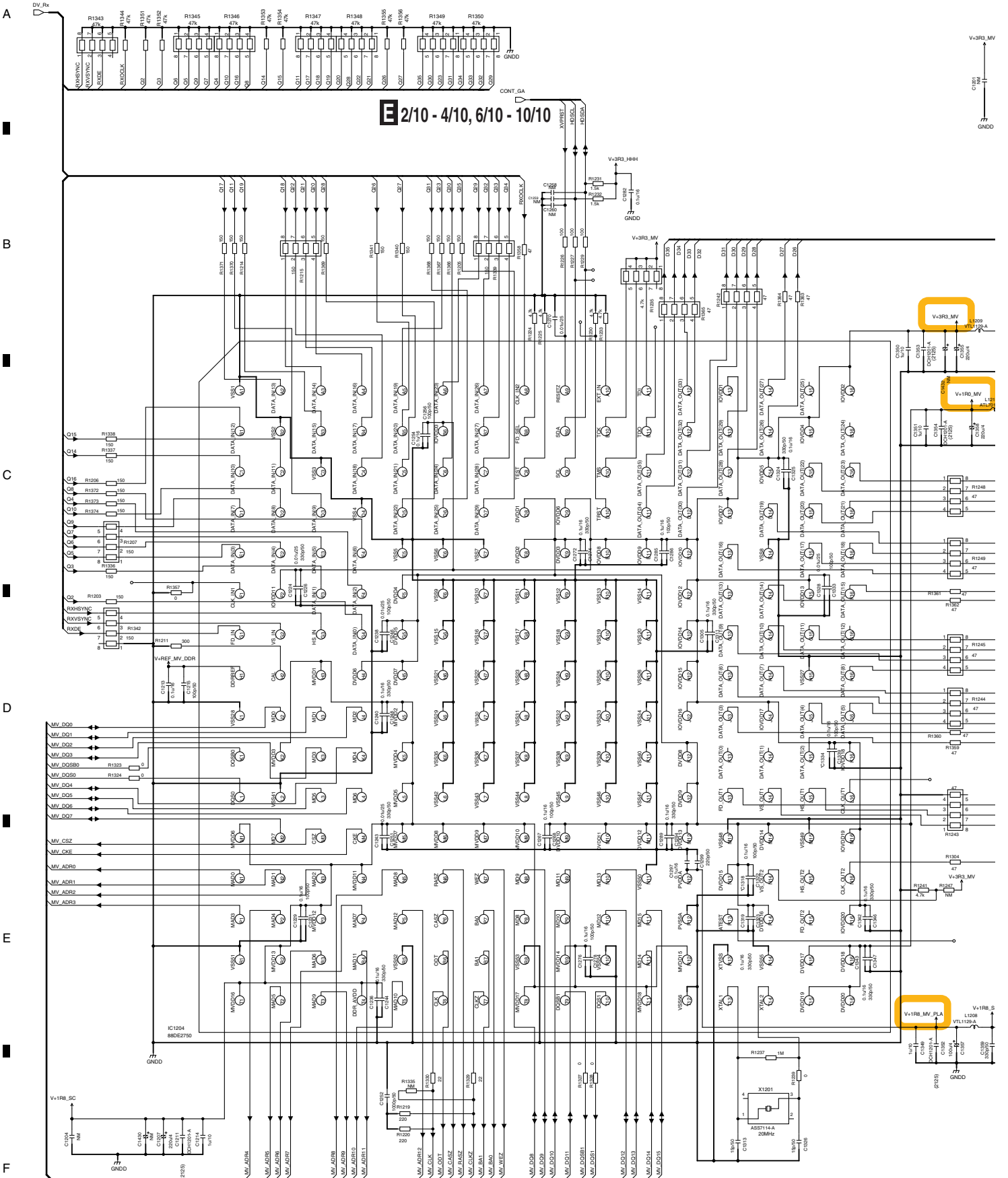
E2/10, 3/10, 5/10 - 10/10  
E3/10, 6/10

E4/10



# 10.11 DIGITAL MAIN ASSY (5/10)

E 4/10



E 5/10

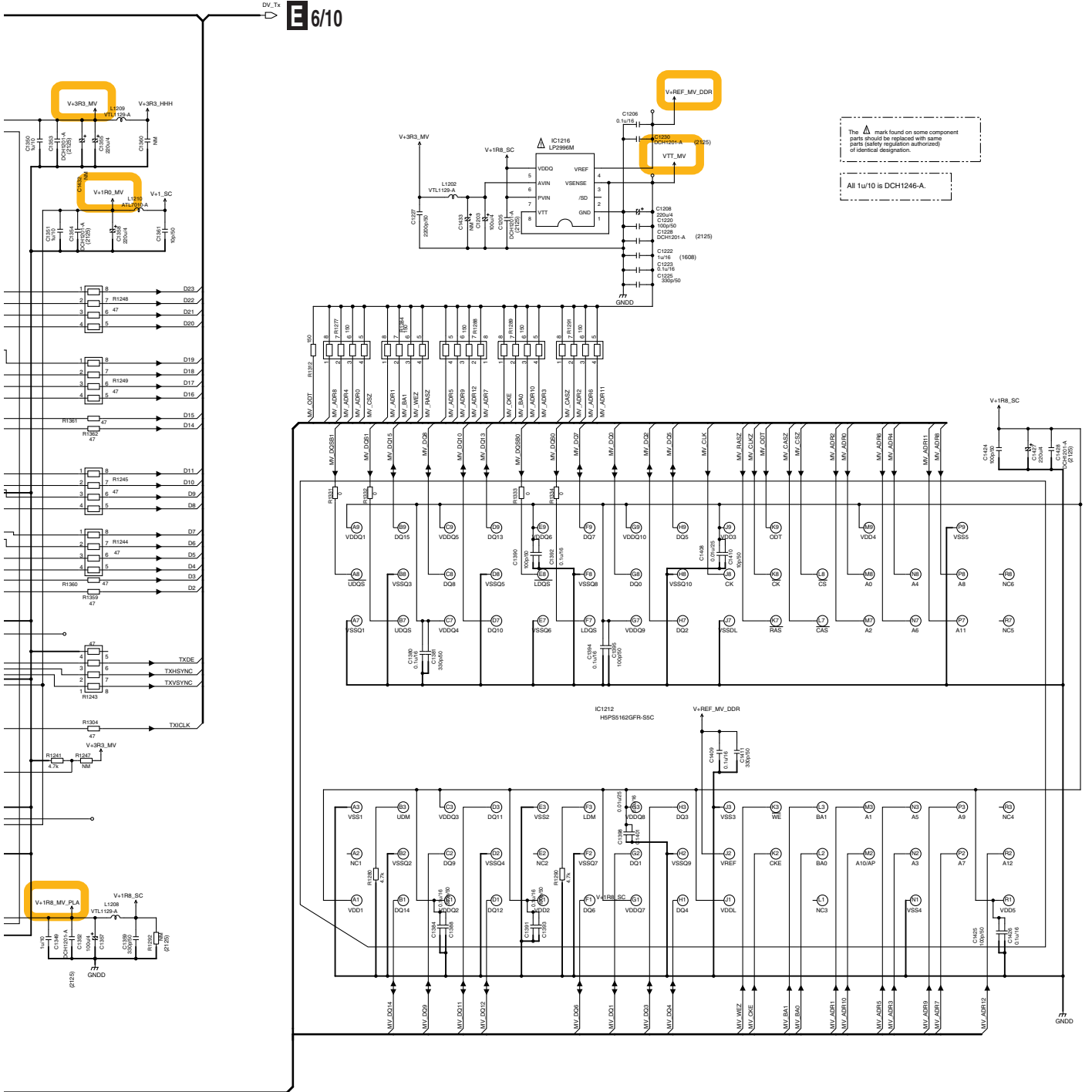
# E5/10 DIGITAL MAIN ASSY (5/10) (AWX1200)

A  
B  
C  
D  
E  
F



	SBL-L_CU (AWX1200)	SBL-L_Other (AWX1267)	SBL-L_Japan (AWX1303)
C1339	0.1u/16	0.01u/25	0.01u/25
C1334	0.1u/16	0.01u/25	0.01u/25

DV\_Tx **E 6/10**

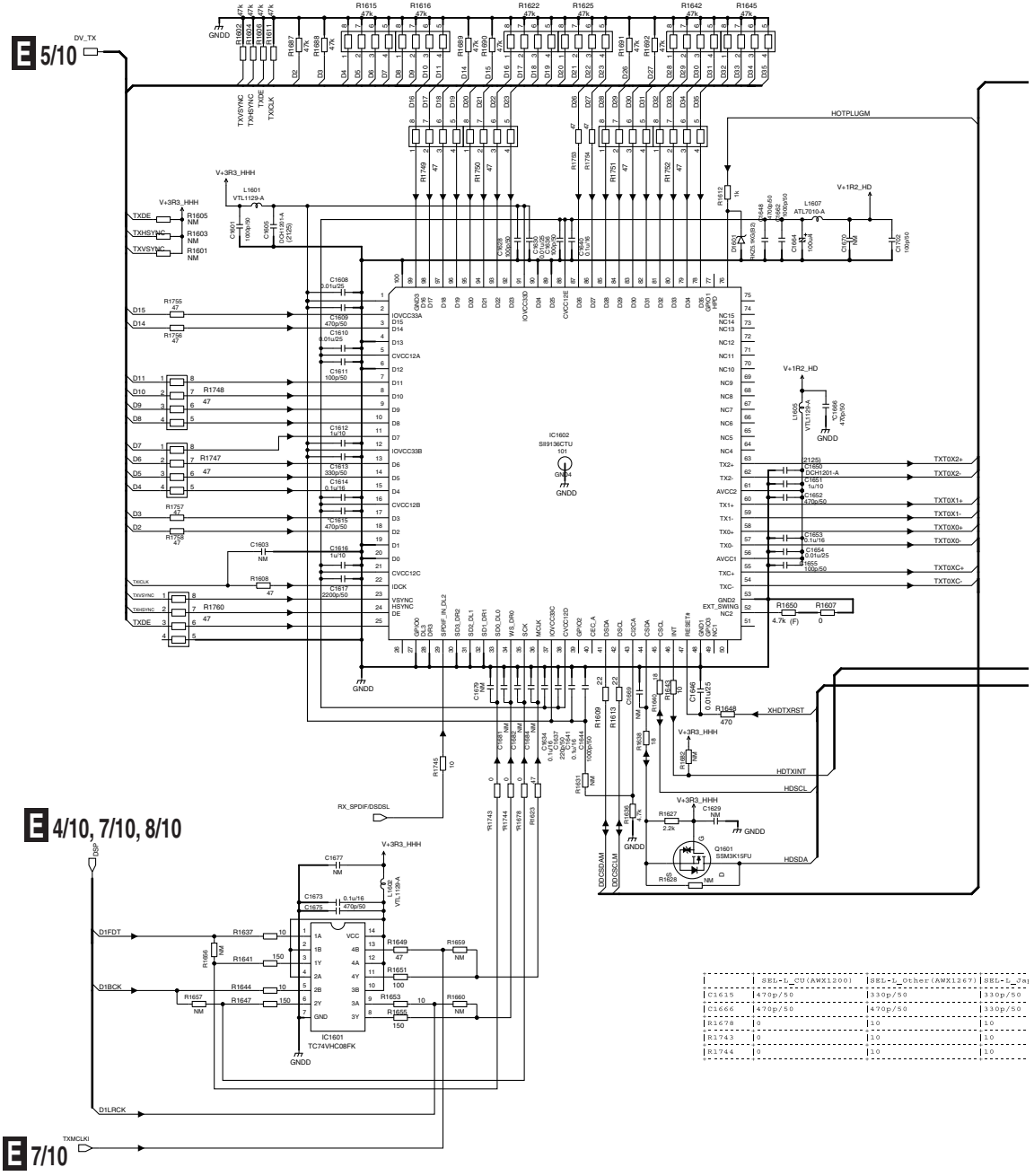


The  $\Delta$  mark found on some component parts should be replaced with same parts (safety regulation authorized) of identical designation.

All 1u/10 is DCH1246-A.

# 10.12 DIGITAL MAIN ASSY (6/10)

A  
B  
C  
D  
E  
F



**E 5/10**

**E 4/10, 7/10, 8/10**

**E 7/10**

The **A** mark found on some component parts should be replaced with same parts (safety regulation authorized) of identical designation.

	08E1-1_CU(AWX1200)	08E1-1_Other(AWX1207)	08E1-1_201
C1615	470p/50	330p/50	330p/50
C1666	470p/50	470p/50	330p/50
R1678	0	10	10
R1679	0	10	10
R1744	0	10	10
R1744	0	10	10

**E 6/10**

# E6/10 DIGITAL MAIN ASSY (6/10) (AWX1200)

A

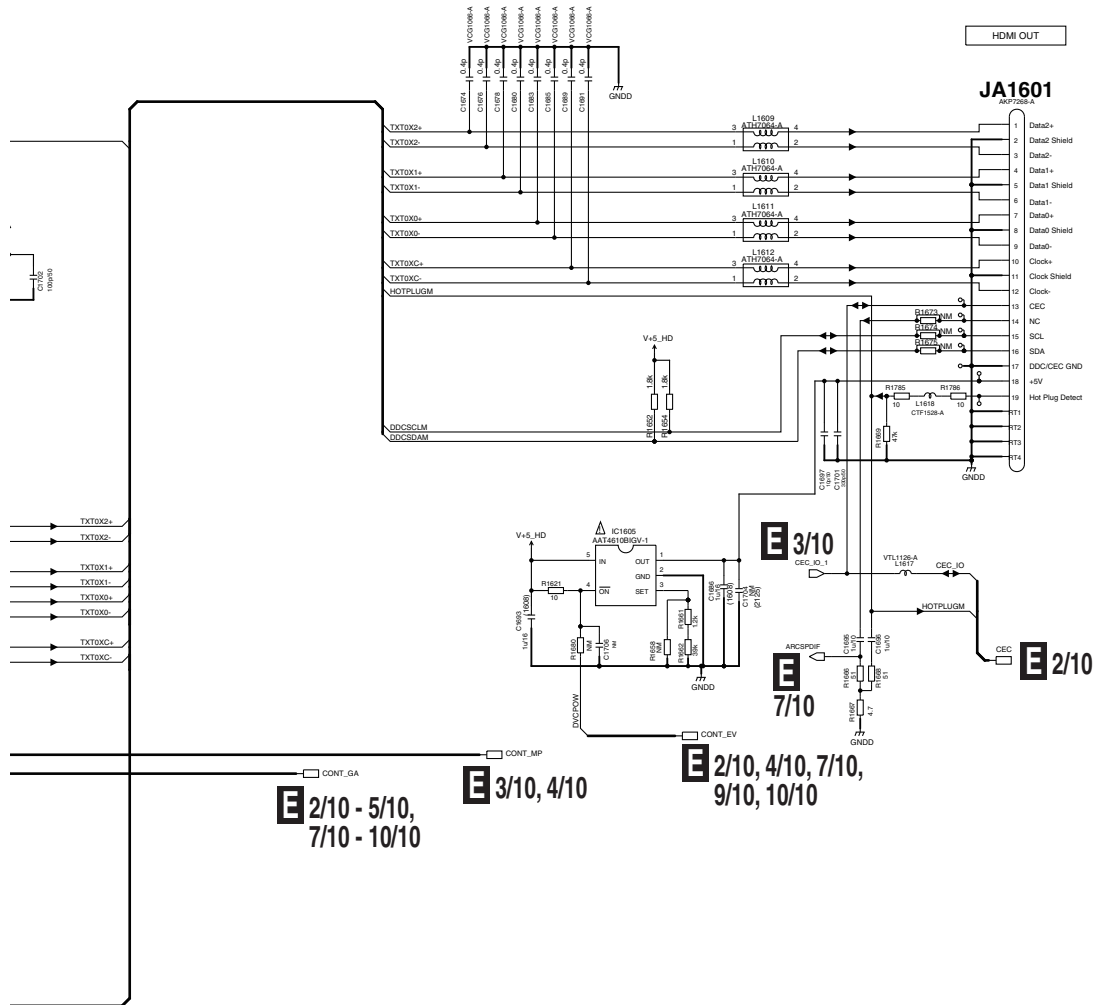
B

C

D

E

F



**E** 2/10 - 5/10,  
7/10 - 10/10

**E** 3/10, 4/10

**E** 2/10, 4/10, 7/10,  
9/10, 10/10

**E** 3/10

**E** 7/10

**E** 2/10

98E-1_Other (AWX1207)	98E-1_Japan (AWX1303)
330p/50	330p/50
470p/50	330p/50
10	10
10	10
10	10

# 10.13 DIGITAL MAIN ASSY (7/10)

1

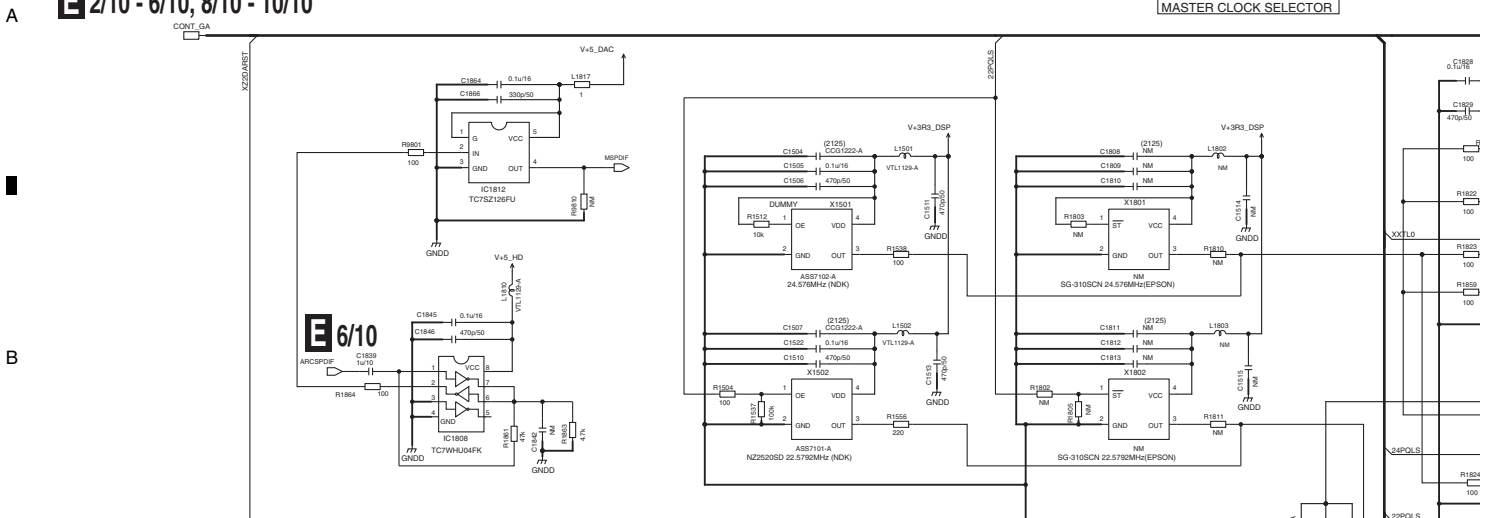
2

3

4

**E** 2/10 - 6/10, 8/10 - 10/10

MASTER CLOCK SELECTOR



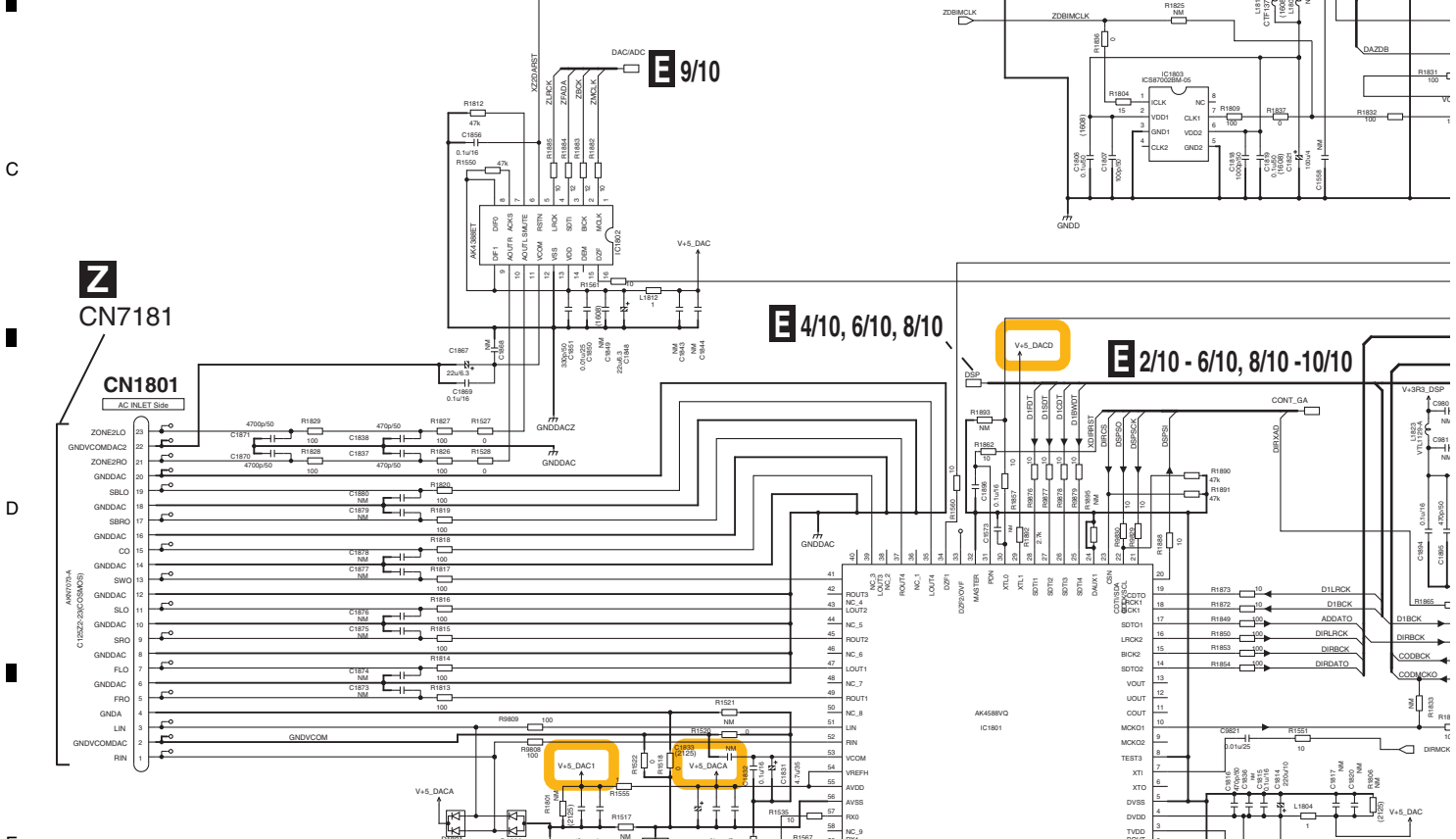
B

C

**Z** CN7181

**E** 4/10, 6/10, 8/10

**E** 2/10 - 6/10, 8/10 - 10/10

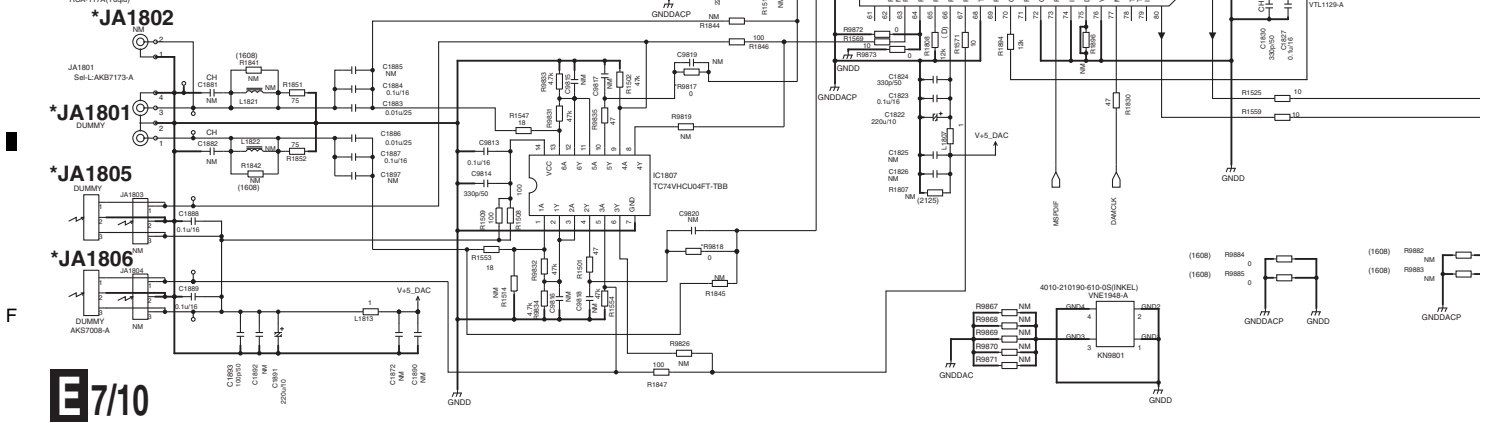


D

E

**E** 7/10

SC-63



110

1

2

3

4

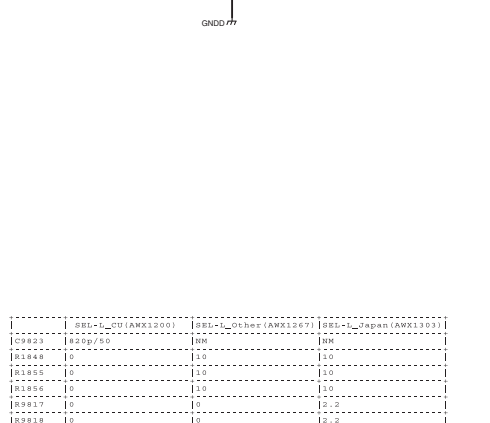
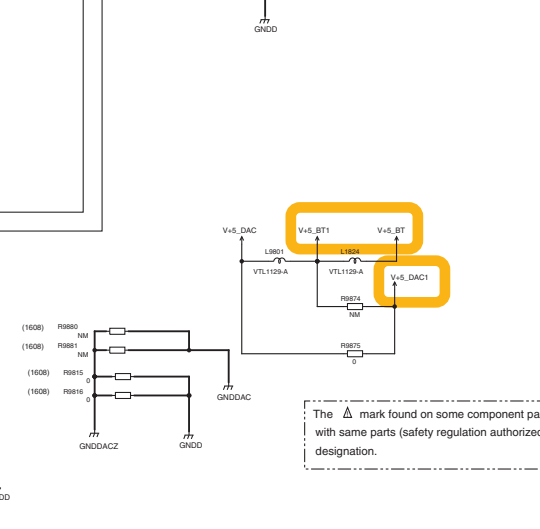
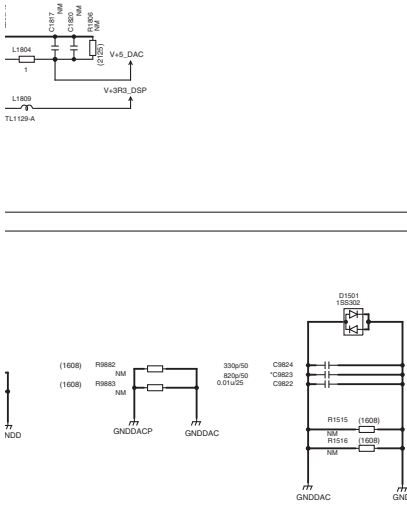
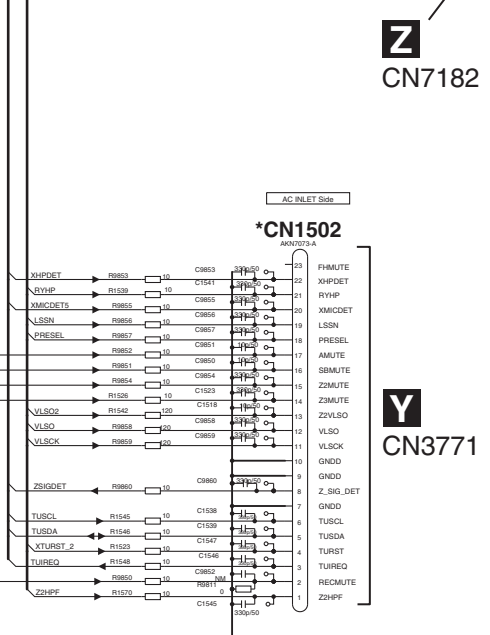
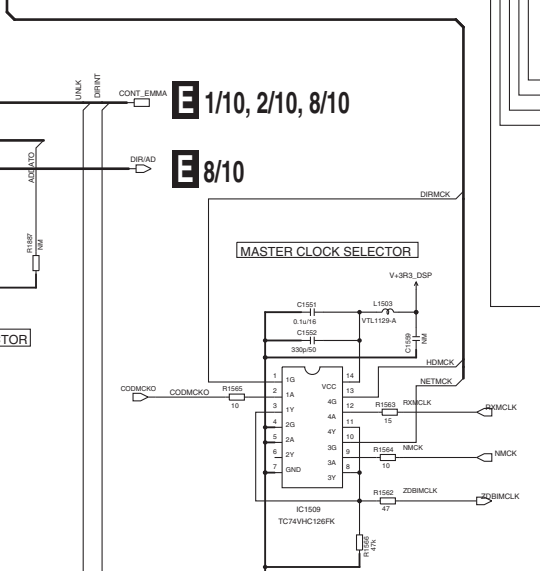
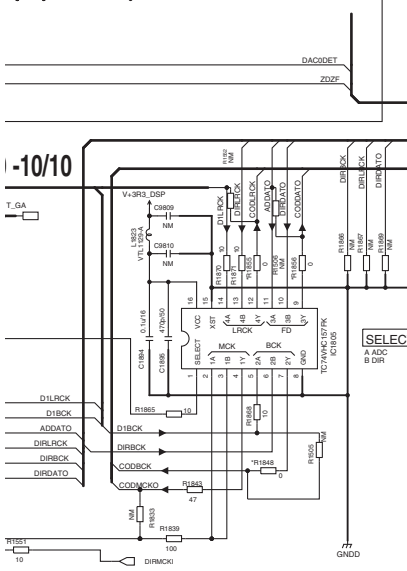
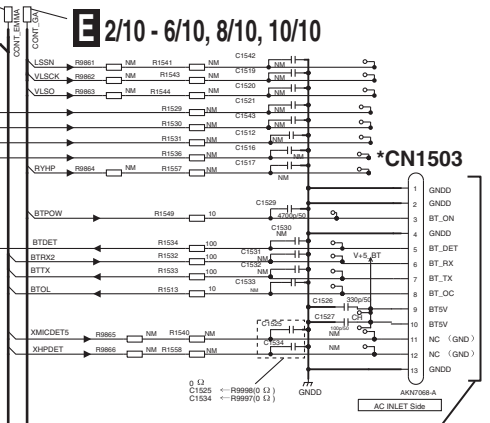
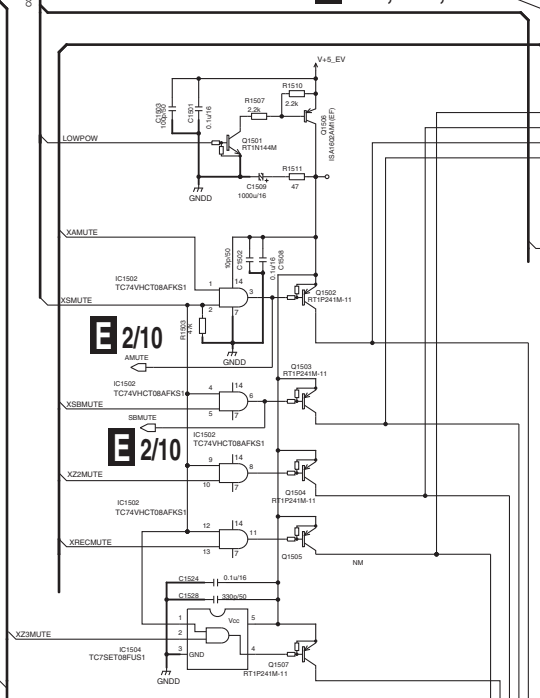
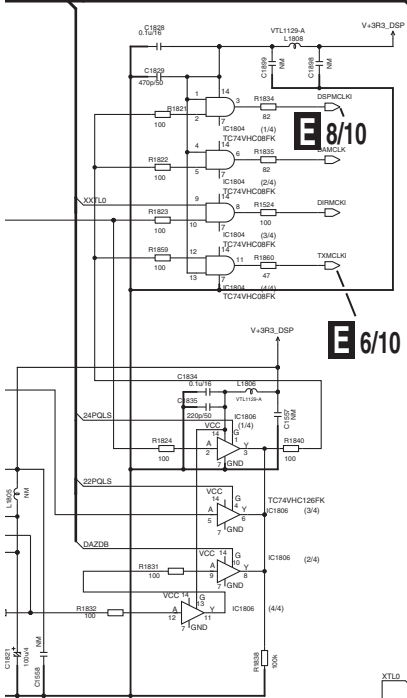
E 2/10, 4/10, 6/10, 9/10, 10/10

E 1/10, 2/10, 8/10

# E 7/10 DIGITAL MAIN ASSY (7/10) (AWX1200)

E 2/10 - 6/10, 8/10, 10/10

OR



	SEL-L_CW(AWX1200)	SEL-L_Other(AWX1267)	SEL-L_Japan(AWX1303)
C9823	820p/50	100	100
R1848	0	10	10
R1855	0	10	10
R1856	0	10	10
R9917	0	10	10
R9918	0	10	10
R9919	0	10	10

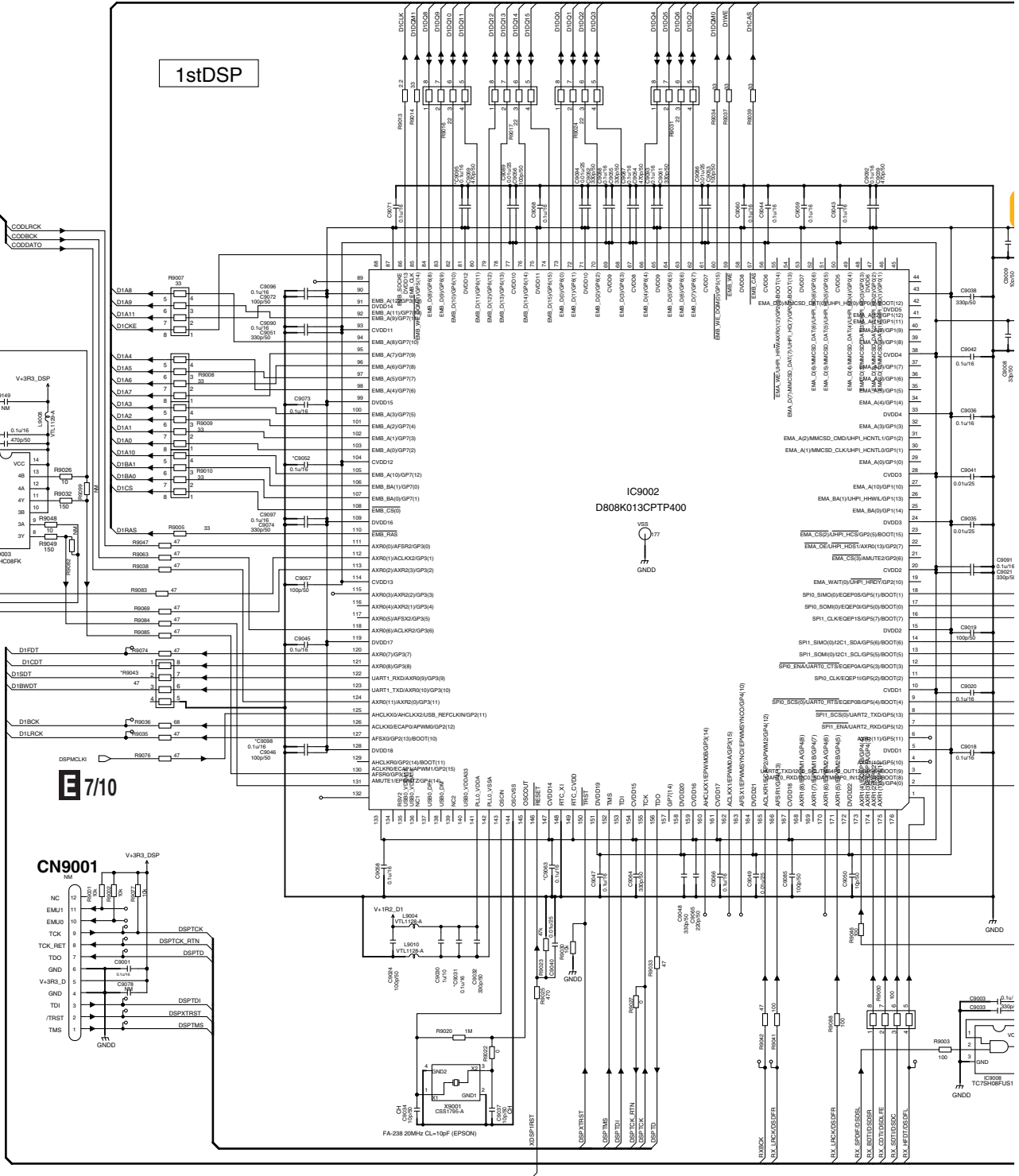
  

HDMI PCM DATA		HDMI DSD DATA	
HEDT	FLFR	HEDT	FL
CDTI	CSW	HDLRCK	FR
SDTI	SLSW	SDTI	C
BDTI	SLDSBI	CDTI	SW
		HSPDIP	SR
		BDTI	SR

The  $\Delta$  mark found on some component parts should be replaced with same parts (safety regulation authorized) of identical designation.



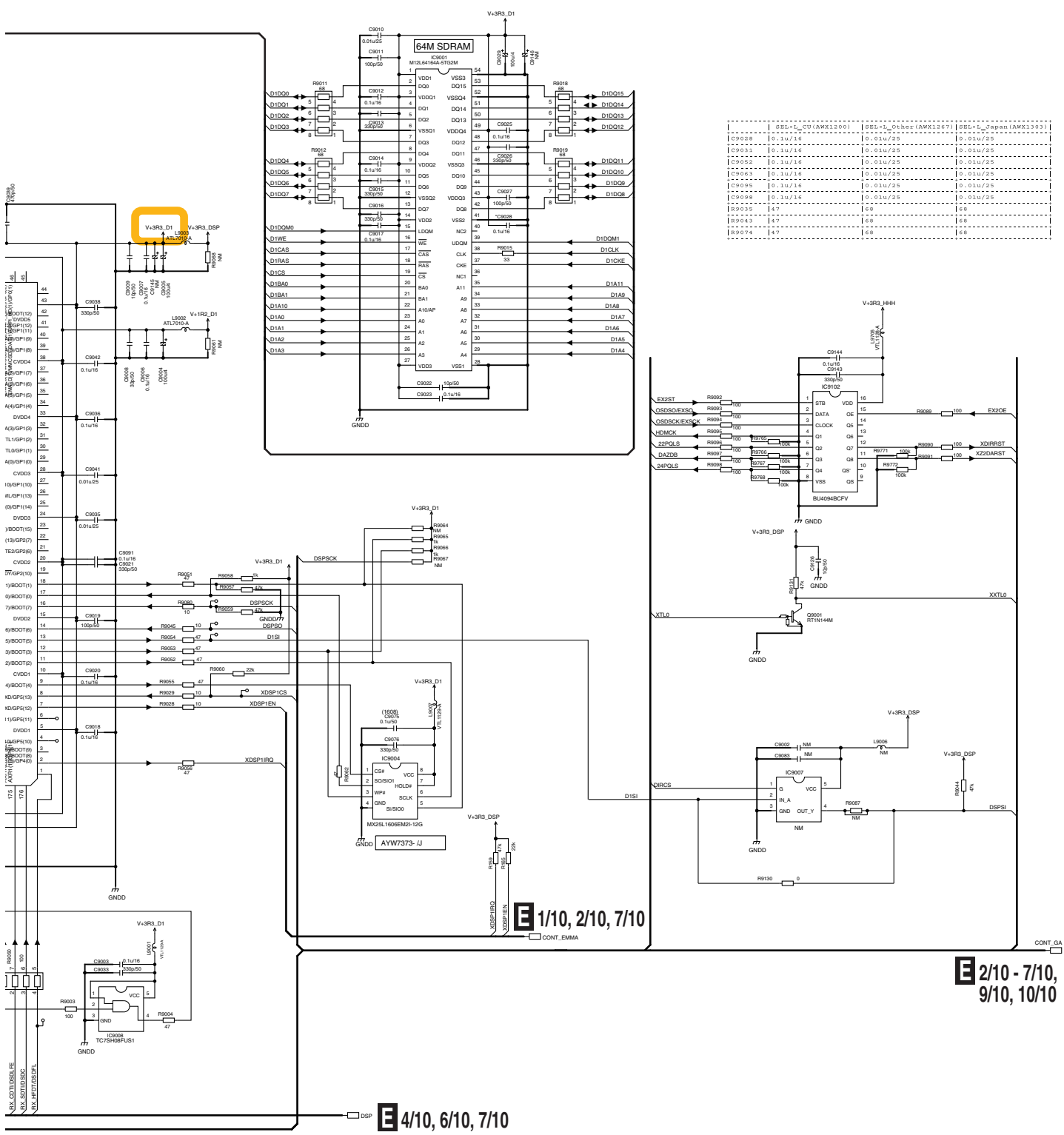
# 10.14 DIGITAL MAIN ASSY (8/10)



A  
B  
C  
D  
E  
F

# E8/10 DIGITAL MAIN ASSY (8/10) (AWX1200)

A  
B  
C  
D  
E  
F



	BBE-L_CU(AWX1200)	BBE-L_Other(AWX1267)	BBE-L_Japan(AWX1303)
C9028	10.1u/16	10.01u/25	10.01u/25
C9031	10.1u/16	10.01u/25	10.01u/25
C9032	10.1u/16	10.01u/25	10.01u/25
C9033	10.1u/16	10.01u/25	10.01u/25
C9035	10.1u/16	10.01u/25	10.01u/25
C9036	10.1u/16	10.01u/25	10.01u/25
C9037	10.1u/16	10.01u/25	10.01u/25
C9038	10.1u/16	10.01u/25	10.01u/25
C9039	1.7	1.68	1.68
C9040	1.7	1.68	1.68
C9041	1.7	1.68	1.68
C9042	1.7	1.68	1.68
C9043	1.7	1.68	1.68
C9044	1.7	1.68	1.68
C9045	1.7	1.68	1.68
C9046	1.7	1.68	1.68
C9047	1.7	1.68	1.68
C9048	1.7	1.68	1.68
C9049	1.7	1.68	1.68
C9050	1.7	1.68	1.68
C9051	1.7	1.68	1.68
C9052	1.7	1.68	1.68
C9053	1.7	1.68	1.68
C9054	1.7	1.68	1.68
C9055	1.7	1.68	1.68
C9056	1.7	1.68	1.68
C9057	1.7	1.68	1.68
C9058	1.7	1.68	1.68
C9059	1.7	1.68	1.68
C9060	1.7	1.68	1.68
C9061	1.7	1.68	1.68
C9062	1.7	1.68	1.68
C9063	1.7	1.68	1.68
C9064	1.7	1.68	1.68
C9065	1.7	1.68	1.68
C9066	1.7	1.68	1.68
C9067	1.7	1.68	1.68
C9068	1.7	1.68	1.68
C9069	1.7	1.68	1.68
C9070	1.7	1.68	1.68
C9071	1.7	1.68	1.68
C9072	1.7	1.68	1.68
C9073	1.7	1.68	1.68
C9074	1.7	1.68	1.68
C9075	1.7	1.68	1.68
C9076	1.7	1.68	1.68
C9077	1.7	1.68	1.68
C9078	1.7	1.68	1.68
C9079	1.7	1.68	1.68
C9080	1.7	1.68	1.68
C9081	1.7	1.68	1.68
C9082	1.7	1.68	1.68
C9083	1.7	1.68	1.68
C9084	1.7	1.68	1.68
C9085	1.7	1.68	1.68
C9086	1.7	1.68	1.68
C9087	1.7	1.68	1.68
C9088	1.7	1.68	1.68
C9089	1.7	1.68	1.68
C9090	1.7	1.68	1.68
C9091	1.7	1.68	1.68
C9092	1.7	1.68	1.68
C9093	1.7	1.68	1.68
C9094	1.7	1.68	1.68
C9095	1.7	1.68	1.68
C9096	1.7	1.68	1.68
C9097	1.7	1.68	1.68
C9098	1.7	1.68	1.68
C9099	1.7	1.68	1.68
C9100	1.7	1.68	1.68

# 10.15 DIGITAL MAIN ASSY (9/10)

1

2

3

4

A

C9202	10K	10K	10K
C9203	10K	10K	10K
C9204	10K	10K	10K
C9205	10K	10K	10K
C9206	10K	10K	10K
C9207	10K	10K	10K
C9208	10K	10K	10K
C9209	10K	10K	10K
C9210	10K	10K	10K
C9211	10K	10K	10K
C9212	10K	10K	10K
C9213	10K	10K	10K
C9214	10K	10K	10K
C9215	10K	10K	10K
C9216	10K	10K	10K
C9217	10K	10K	10K
C9218	10K	10K	10K
C9219	10K	10K	10K
C9220	10K	10K	10K
C9221	10K	10K	10K
C9222	10K	10K	10K
C9223	10K	10K	10K
C9224	10K	10K	10K
C9225	10K	10K	10K
C9226	10K	10K	10K
C9227	10K	10K	10K
C9228	10K	10K	10K
C9229	10K	10K	10K
C9230	10K	10K	10K
C9231	10K	10K	10K
C9232	10K	10K	10K
C9233	10K	10K	10K
C9234	10K	10K	10K
C9235	10K	10K	10K
C9236	10K	10K	10K
C9237	10K	10K	10K
C9238	10K	10K	10K
C9239	10K	10K	10K
C9240	10K	10K	10K
C9241	10K	10K	10K
C9242	10K	10K	10K
C9243	10K	10K	10K
C9244	10K	10K	10K
C9245	10K	10K	10K
C9246	10K	10K	10K
C9247	10K	10K	10K
C9248	10K	10K	10K
C9249	10K	10K	10K
C9250	10K	10K	10K
C9251	10K	10K	10K
C9252	10K	10K	10K
C9253	10K	10K	10K
C9254	10K	10K	10K
C9255	10K	10K	10K
C9256	10K	10K	10K
C9257	10K	10K	10K
C9258	10K	10K	10K
C9259	10K	10K	10K
C9260	10K	10K	10K
C9261	10K	10K	10K
C9262	10K	10K	10K
C9263	10K	10K	10K
C9264	10K	10K	10K
C9265	10K	10K	10K
C9266	10K	10K	10K
C9267	10K	10K	10K
C9268	10K	10K	10K
C9269	10K	10K	10K
C9270	10K	10K	10K
C9271	10K	10K	10K
C9272	10K	10K	10K
C9273	10K	10K	10K
C9274	10K	10K	10K
C9275	10K	10K	10K
C9276	10K	10K	10K
C9277	10K	10K	10K
C9278	10K	10K	10K
C9279	10K	10K	10K
C9280	10K	10K	10K
C9281	10K	10K	10K
C9282	10K	10K	10K
C9283	10K	10K	10K
C9284	10K	10K	10K
C9285	10K	10K	10K
C9286	10K	10K	10K
C9287	10K	10K	10K
C9288	10K	10K	10K
C9289	10K	10K	10K
C9290	10K	10K	10K
C9291	10K	10K	10K
C9292	10K	10K	10K
C9293	10K	10K	10K
C9294	10K	10K	10K
C9295	10K	10K	10K
C9296	10K	10K	10K
C9297	10K	10K	10K
C9298	10K	10K	10K
C9299	10K	10K	10K
C9300	10K	10K	10K

E 2/10

B

CN9203

E 2/10 - 8/10, 10/10

IC9204 DM860A

C

\*CN9201

E 2/10

E 2/10

E 2/10

D

CN8001

\*CN9202

F

E 9/10

E 2/10

E 4/10

1

2

3

4

# E 9/10 DIGITAL MAIN ASSY (9/10) (AWX1200)

A

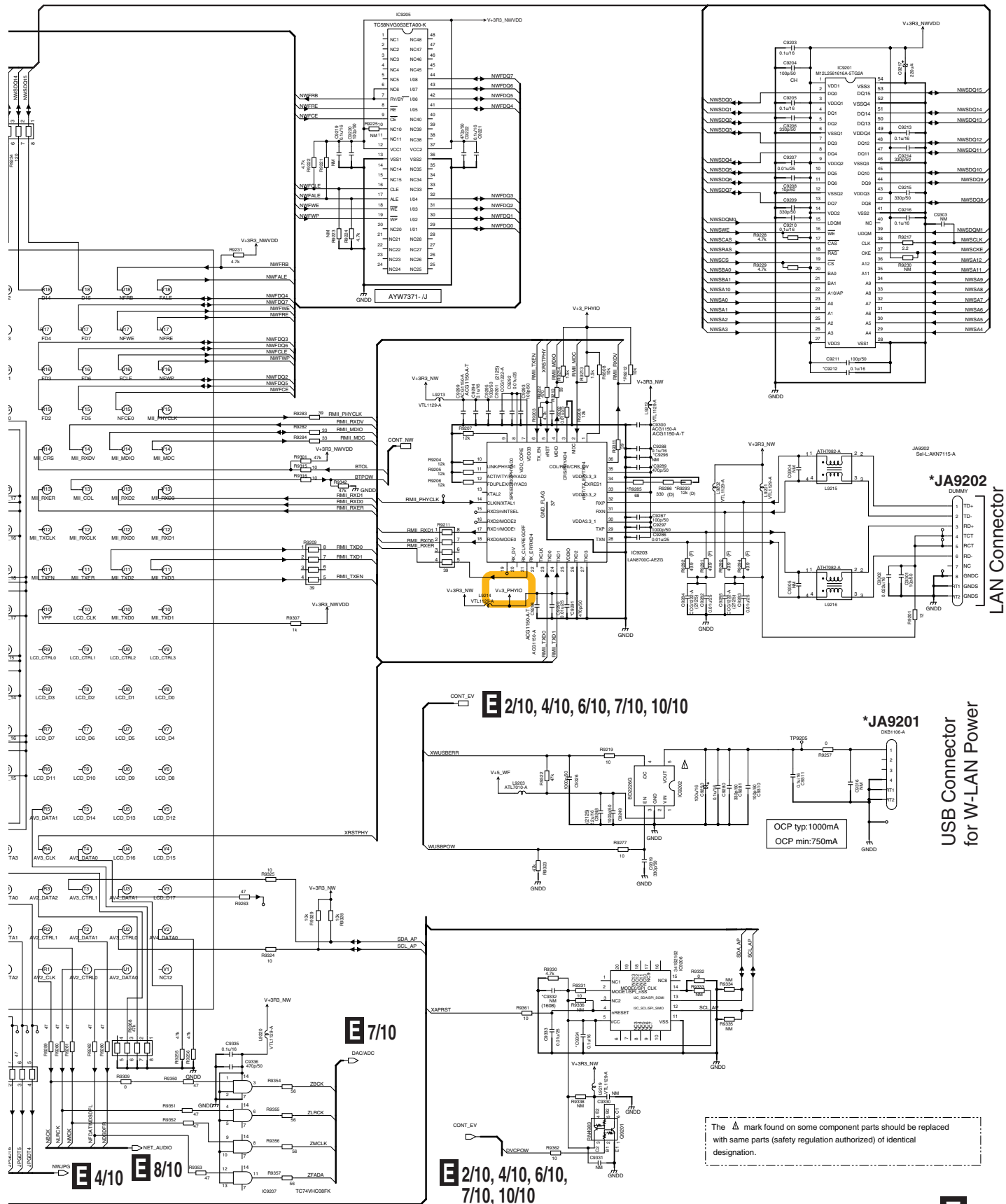
B

C

D

E

F



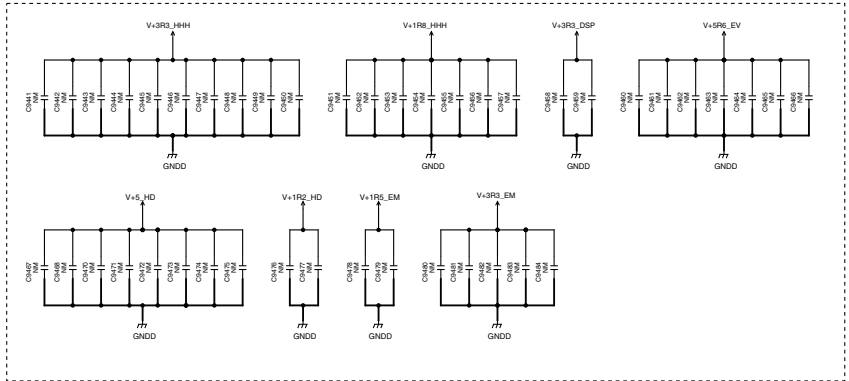
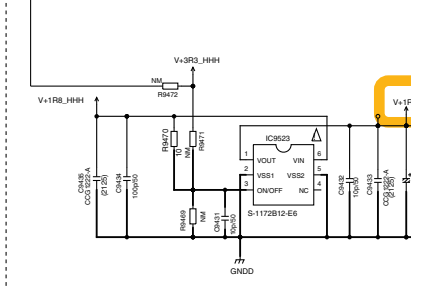
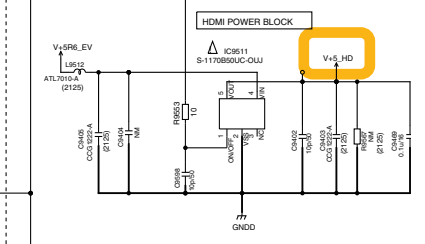
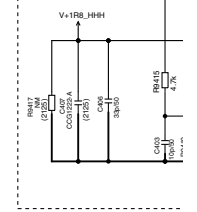
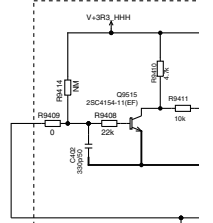
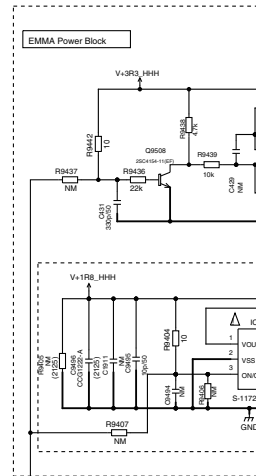
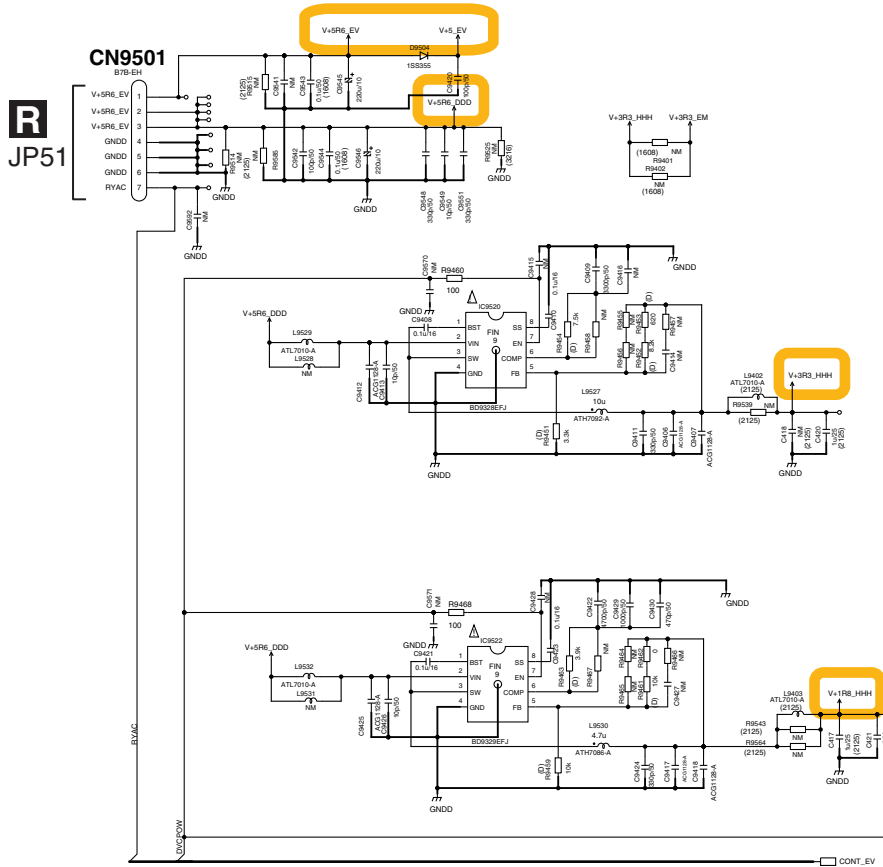
**E 2/10, 4/10, 6/10, 7/10, 10/10**

The  $\Delta$  mark found on some component parts should be replaced with same parts (safety regulation authorized) of identical designation.

# 10.16 DIGITAL MAIN ASSY (10/10)

A  
B  
C  
D  
E  
F

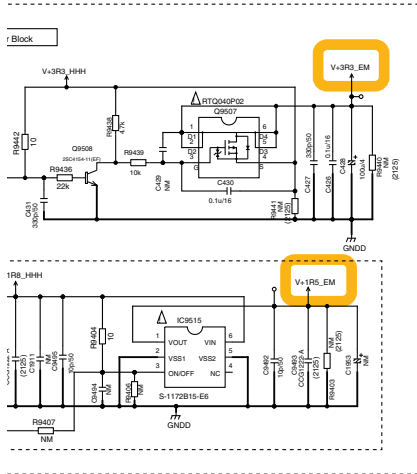
	SEL_L_CU(AWK1200)	SEL_V_Other(AWK1367)	SEL-L_Japan(AWK1303)
C1940	330p/50	NM	NM
R9420	10	12	12
R9422	0	0	1.0



**E** 2/10, 4/10, 6/10, 7/10, 9/10

# E10/10 DIGITAL MAIN ASSY (10/10) (AWX1200)

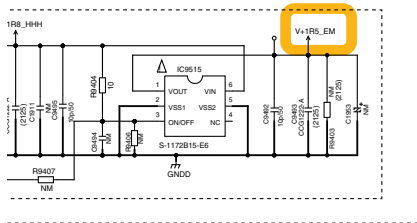
A



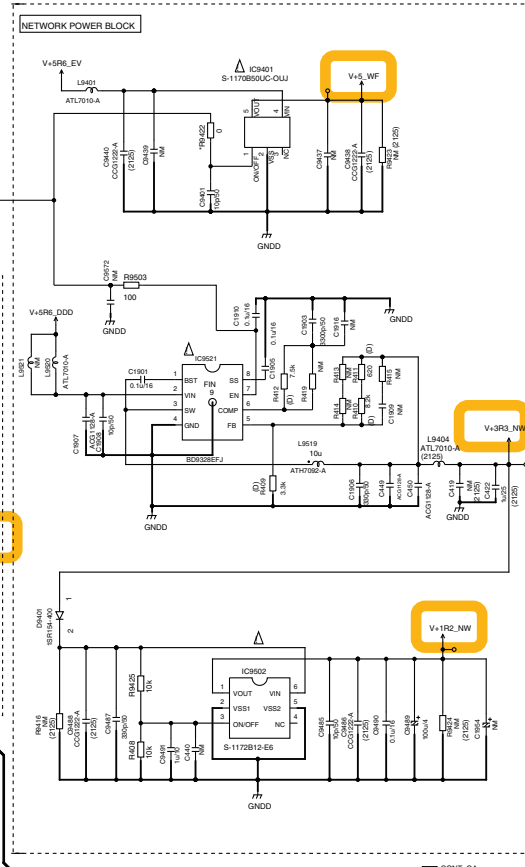
All 1u/10 is DCH1246-A.  
 CCG1222-A is 4.7u/25.

The  $\Delta$  mark found on some component parts should be replaced with same parts (safety regulation authorized) of identical designation.

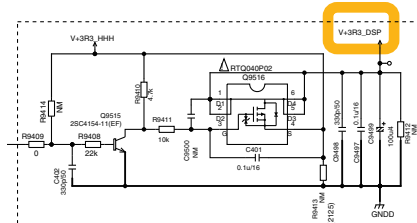
B



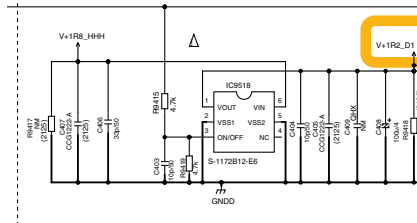
E 2/10 NETPOW



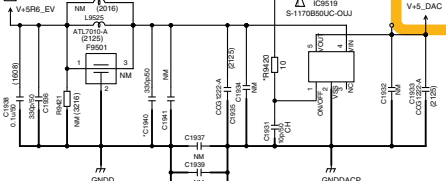
C



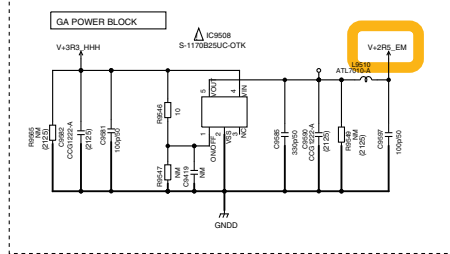
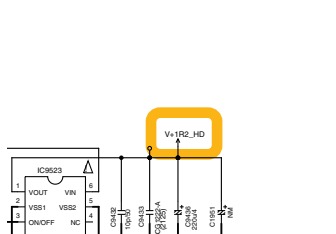
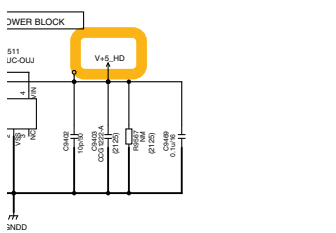
DSPICCODE POWER BLOCK



DIRPOW

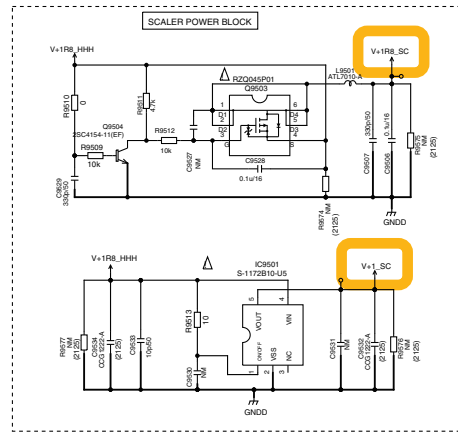


D



GA POWER BLOCK

E 2/10 - 9/10  
 CONT\_GA



SCALER POWER BLOCK

E



F



# 10.17 INTEFACE ASSY

A  
B  
C  
D  
E  
F

**G** 1/2  
CN8401

**A** 1/3  
CN2503

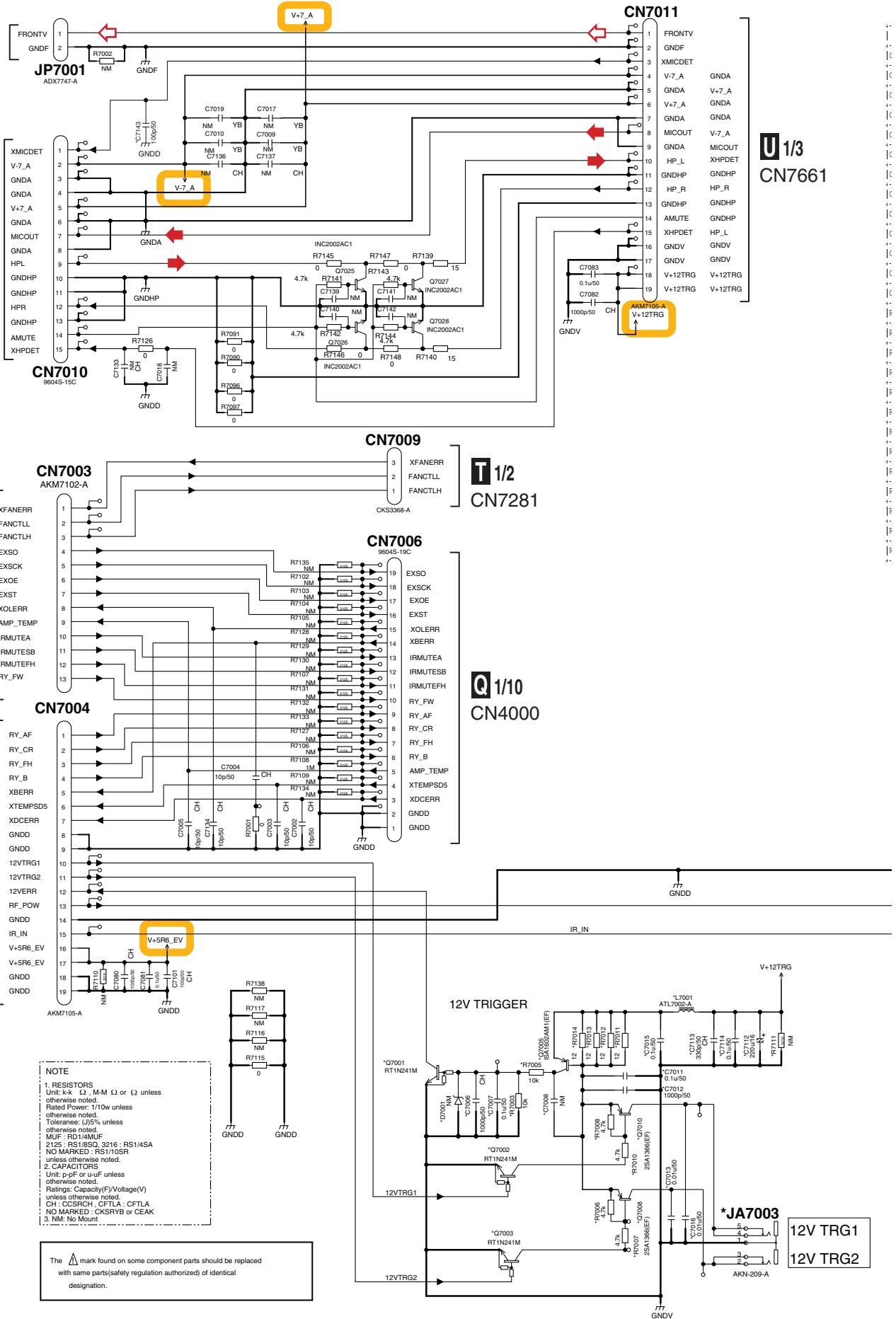
**U** 1/3  
CN7661

**T** 1/2  
CN7281

**Q** 1/10  
CN4000

**W** CN7803

**W** CN7804



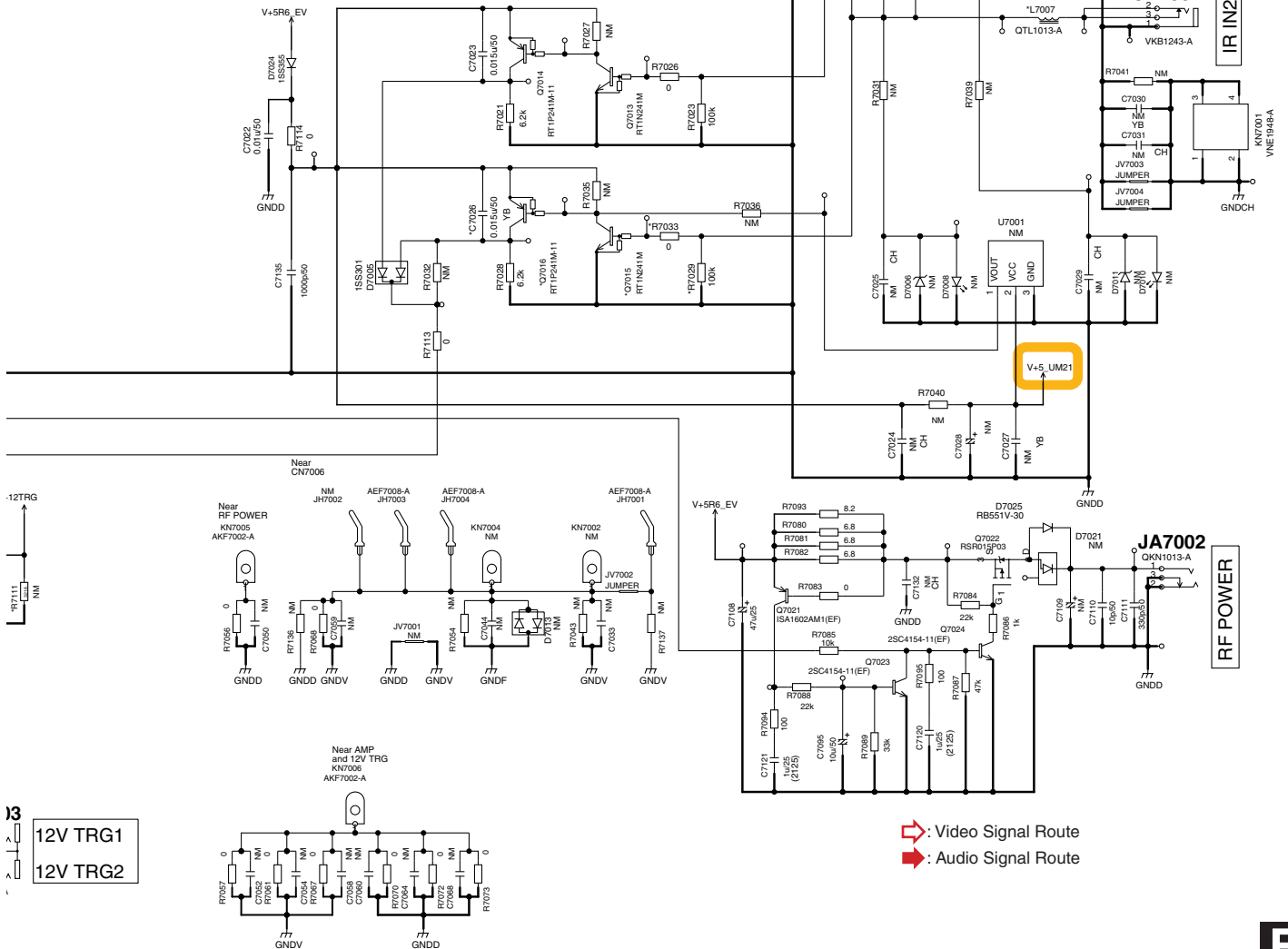
# INTERFACE ASSY

(SC-63/SC-61 : AWX1270)  
 (SC-1227-K/SC-1222-K : AWX1207)

1/3  
 CN7661

	awx1207	awx1270
C7006	NM	1000p/50
C7007	NM	0.1u/50
C7008	NM	NM
C7011	NM	0.1u/50
C7012	NM	1000p/50
C7013	NM	0.01u/50
C7015	NM	0.1u/50
C7016	NM	0.01u/50
C7026	NM	0.015u/50
C7112	NM	220u/16
C7113	NM	330p/50
C7114	NM	0.1u/50
C7143	NM	NM
R7003	NM	10k
R7005	NM	10k
R7006	NM	4.7k
R7007	NM	4.7k
R7008	NM	4.7k
R7010	NM	4.7k
R7011	NM	12
R7012	NM	12
R7013	NM	12
R7014	NM	12
R7029	NM	100k
R7033	NM	0
R7111	0	NM

	awx1207	awx1270
L7001	NM	ATL7002-A
L7007	NM	QTL1013-A
D7001	NM	NM
D7007	NM	1SS357
JA7003	NM	AKN-209-A
JA7004	NM	VXB1243-A
Q7001	NM	RT1N241M
Q7002	NM	RT1N241M
Q7003	NM	RT1N241M
Q7005	NM	ISA1602AM1(EF)
Q7008	NM	2SA1366(EF)
Q7010	NM	2SA1366(EF)
Q7015	NM	RT1N241M
Q7016	NM	RT1P241M-11
PP7024	NM	VU_TESTPOINT_1.2
PP7025	NM	VU_TESTPOINT_1.2
PP7108	NM	TESTPOINT



13  
 12V TRG1  
 12V TRG2

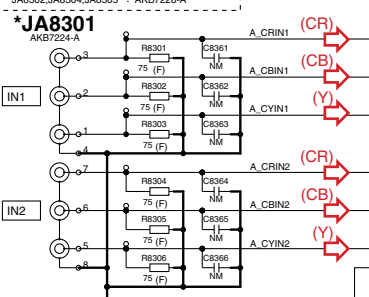
Video Signal Route  
 Audio Signal Route

# 10.18 COMPONENT ASSY (1/2)

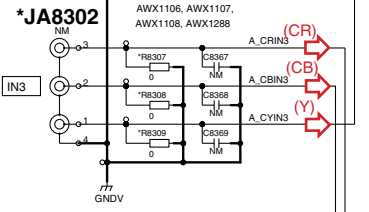
1 2 3 4

A

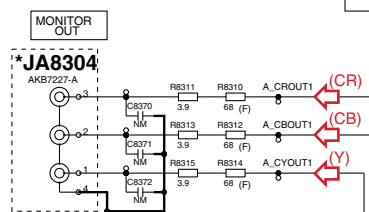
AWX1106, AWX1288, Use Gold Pin/Jack  
 JA8301 : AKB7225-A  
 JA8302, JA8304, JA8305 : AKB7228-A



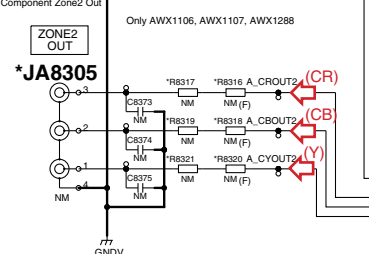
B



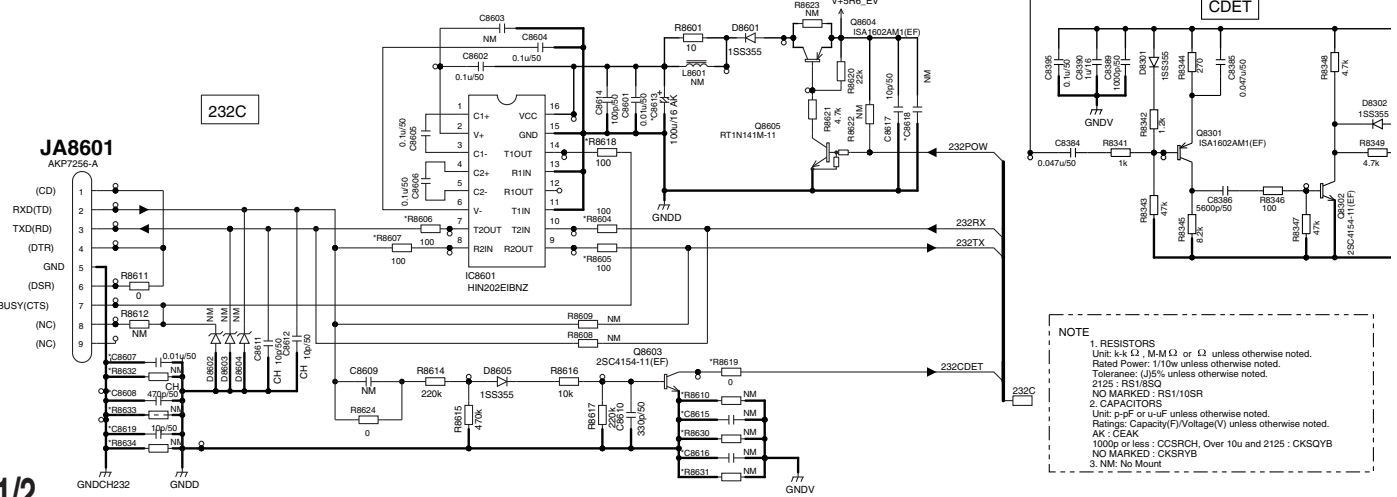
C



D



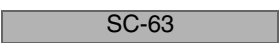
E



**NOTE**  
 1. RESISTORS  
 Unit: k-Ω, M-Ω or Ω unless otherwise noted.  
 Rated Power: 1/10w unless otherwise noted.  
 Tolerances: ±5% unless otherwise noted.  
 2125: RS1850  
 NO MARKED: RS110SR  
 2. CAPACITORS  
 Unit: p-pF or u-uF unless otherwise noted.  
 Rating: Capacity(F)/Voltage(V) unless otherwise noted.  
 AK: CEAK  
 1000p or less: CCSRCH, Over 10u and 2125: CKSOYB  
 NO MARKED: CKSRVB  
 3. NM: No Mount

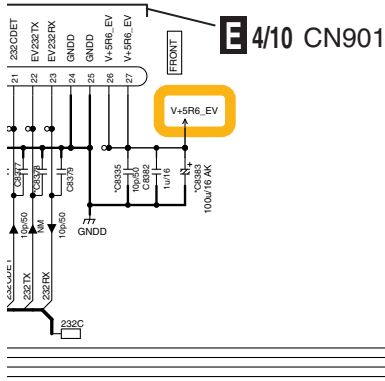


120

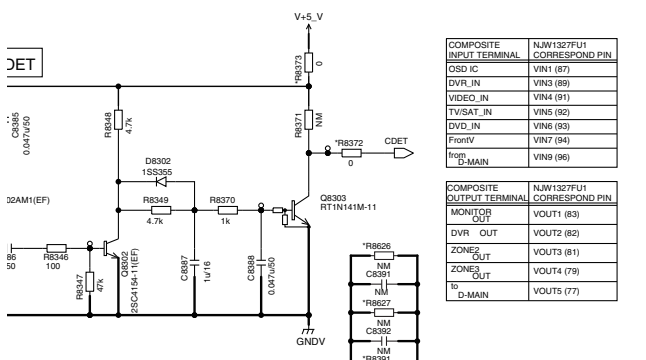
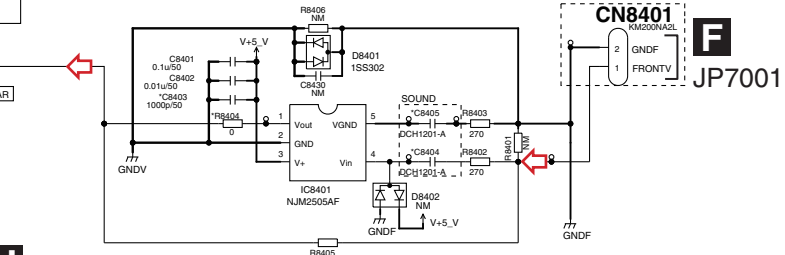
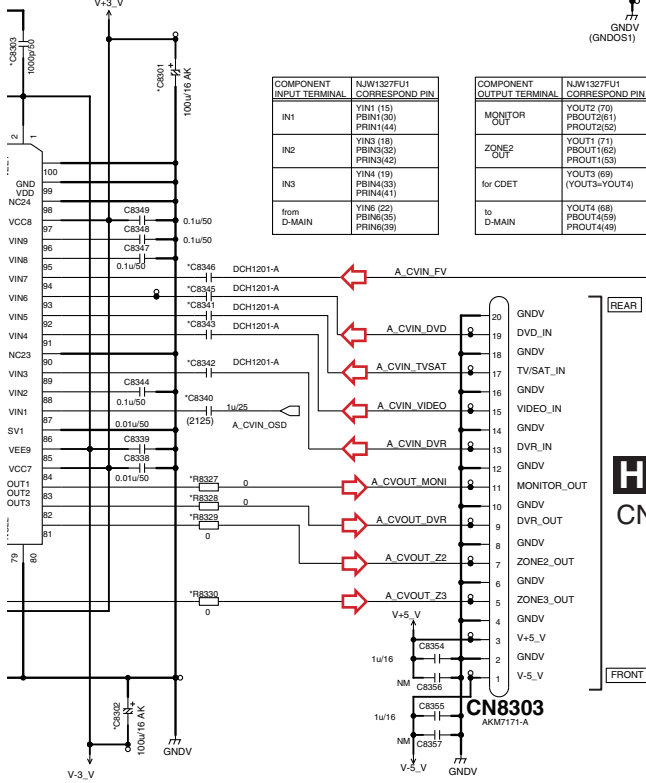
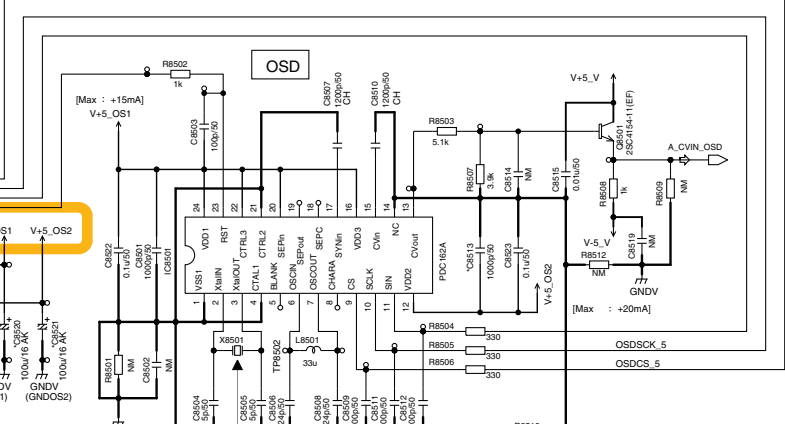


1 2 3 4

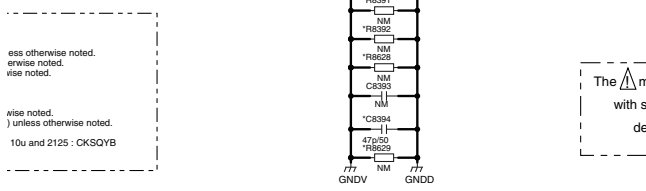
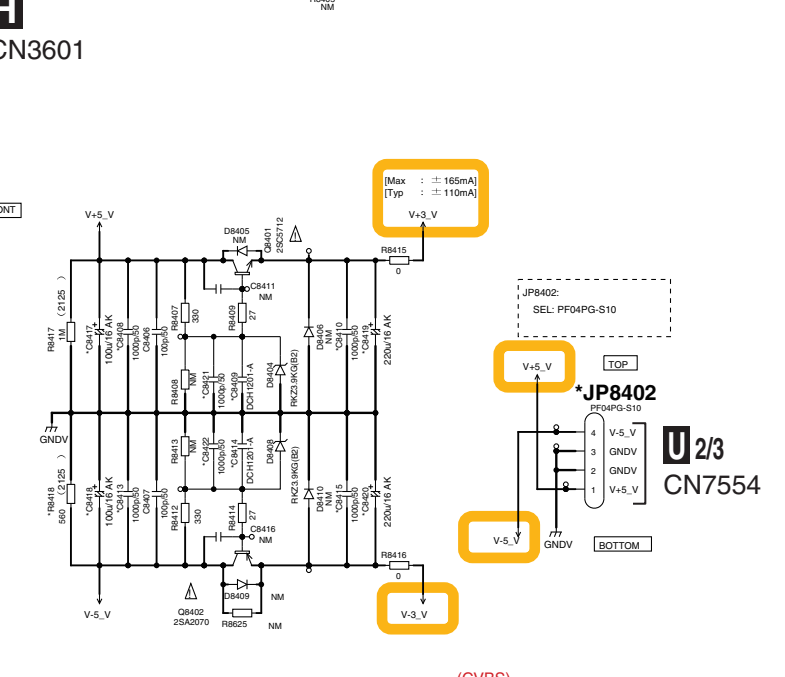
# G1/2 COMPONENT ASSY (1/2) (AWX1105)



COMPONENT INPUT TERMINAL	NJW1327FU1 CORRESPOND PIN	COMPONENT OUTPUT TERMINAL	NJW1327FU1 CORRESPOND PIN
IN1	YIN1 (15) PRIN1(30) PRIN1(44)	YOUT1 (70) PROUT1(211) PROUT2(152)	
IN2	YIN3 (18) PRIN3(33) PRIN3(42)	YOUT1 (71) PROUT1(163) PROUT1(153)	
IN3	YIN4 (19) PRIN4(33) PRIN4(41)	YOUT3 (69) (YOUT3=YOUT4)	
	YIN6 (22) PRIN6(33) PRIN6(39)	YOUT4 (68) PROUT1(439) PROUT4(49)	



COMPOSITE INPUT TERMINAL	NJW1327FU1 CORRESPOND PIN	COMPOSITE OUTPUT TERMINAL	NJW1327FU1 CORRESPOND PIN
OSD IC	VIN1 (87)	MONITOR OUT	YOUT1 (83)
DVR_IN	VIN3 (89)	DVR OUT	YOUT2 (82)
VIDEO_IN	VIN4 (81)	ZONE2_OUT	YOUT3 (81)
TV/SAT_IN	VIN5 (82)	ZONE3_OUT	YOUT4 (79)
DVD_IN	VIN6 (83)	to D-MAIN	YOUT5 (77)
FrontIV	VIN7 (84)		
from D-MAIN	VIN9 (86)		



ess otherwise noted.  
enise noted.  
ise noted.

ise noted.  
) unless otherwise noted.  
10u and 2125 : CKSQYB

The  $\Delta$  mark found on some component parts should be replaced with same parts(safety regulation authorized) of identical designation.

- (CVBS)  $\rightarrow$  Video Signal Route
- (CB)  $\rightarrow$  Video Signal Route
- (CR)  $\rightarrow$  Video Signal Route
- (Y)  $\rightarrow$  Video Signal Route
- $\rightarrow$  Video Signal Route

# 10.19 COMPONENT ASSY (2/2)

A

B

C

D

E

F

	awx1105
C8301	100u/16
C8302	100u/16
C8303	1000p/50
C8305	DCH1201-A
C8306	DCH1201-A
C8307	DCH1201-A
C8309	1u/25
C8313	DCH1201-A
C8315	DCH1201-A
C8317	1u/25
C8319	1000p/50
C8320	1000p/50
C8322	1u/25
C8324	DCH1201-A
C8326	DCH1201-A
C8335	10p/50
C8340	1u/25
C8341	DCH1201-A
C8342	DCH1201-A
C8343	DCH1201-A
C8345	DCH1201-A
C8346	DCH1201-A
C8378	NM
C8383	100u/16
C8394	47p/50
C8607	0.01u/50
C8608	470p/50
C8613	100u/16
C8615	NM
C8616	NM
C8618	NM
C8619	10p/50
R8307	0
R8308	0
R8309	0
R8316	NM
R8317	NM
R8318	NM
R8319	NM
R8320	NM
R8321	NM
R8327	0
R8328	0
R8329	0
R8330	0
R8350	0
R8351	0
R8352	0
R8358	0
R8361	10
R8362	10
R8363	10
R8364	10
R8372	0
R8373	0
R8391	NM
R8392	NM
R8604	100
R8605	100
R8606	100
R8607	100
R8610	NM
R8618	100
R8619	0
R8626	NM
R8627	NM
R8628	NM
R8629	NM
R8630	NM
R8631	NM
R8632	NM
R8633	NM
R8634	NM
JA8301	AKB7224-A
JA8302	NM
JA8304	AKB7227-A
JA8305	NM



# G<sup>2/2</sup> COMPONENT ASSY (2/2) (AWX1105)

A

	awx1105
C8403	1000p/50
C8404	DCH1201-A
C8405	DCH1201-A
C8408	1000p/50
C8409	DCH1201-A
C8410	1000p/50
C8413	1000p/50
C8414	DCH1201-A
C8415	1000p/50
C8417	100u/16
C8418	100u/16
C8419	220u/16
C8420	220u/16
C8421	1000p/50
C8422	1000p/50
C8513	1000p/50
C8520	100u/16
C8521	100u/16
R8404	0
R8418	560
R8520	0
R8521	0
JPB402	PF04PG-S10

B

C

D

E

F



# 10.20 COMPOSITE ASSY

A

B

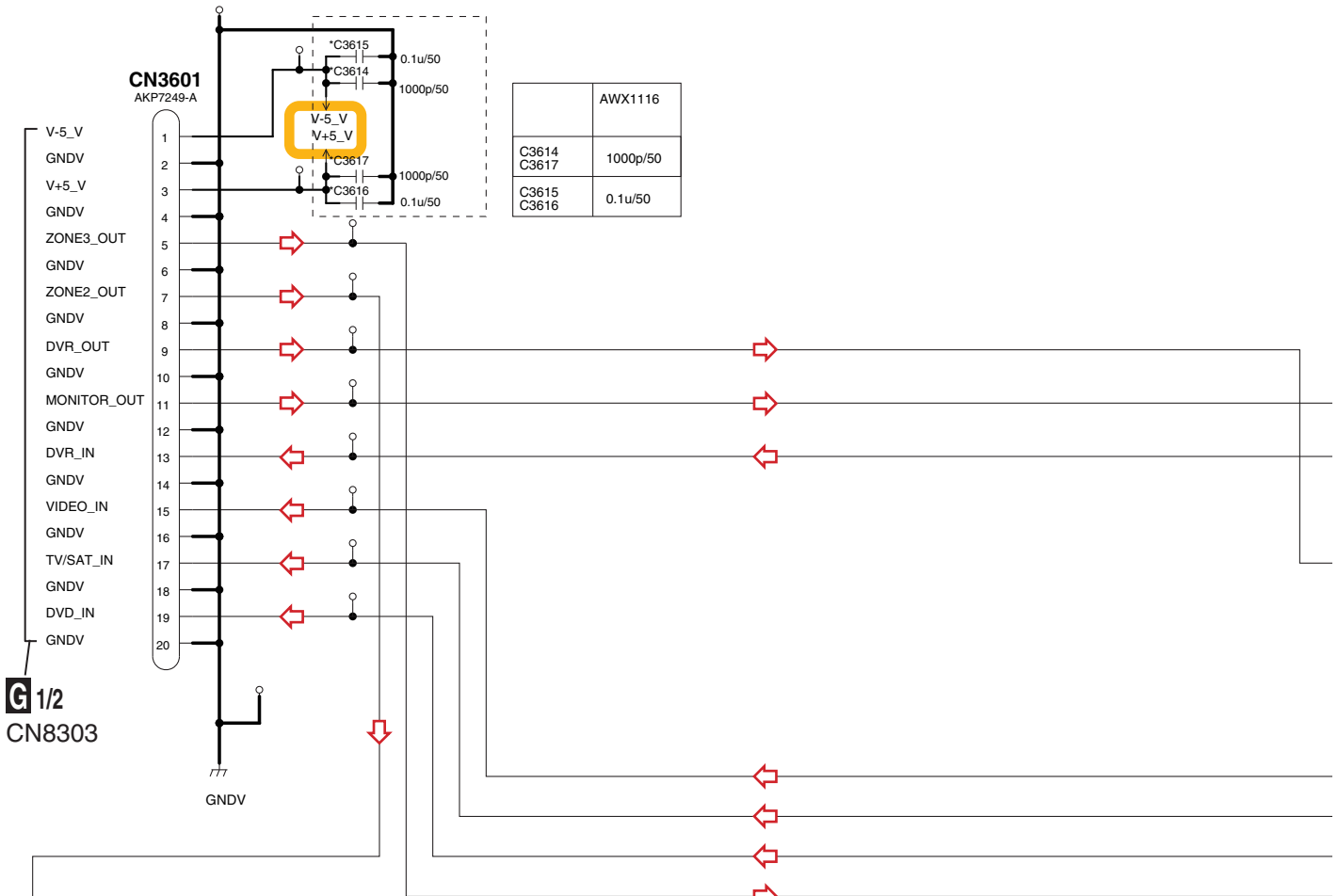
C

D

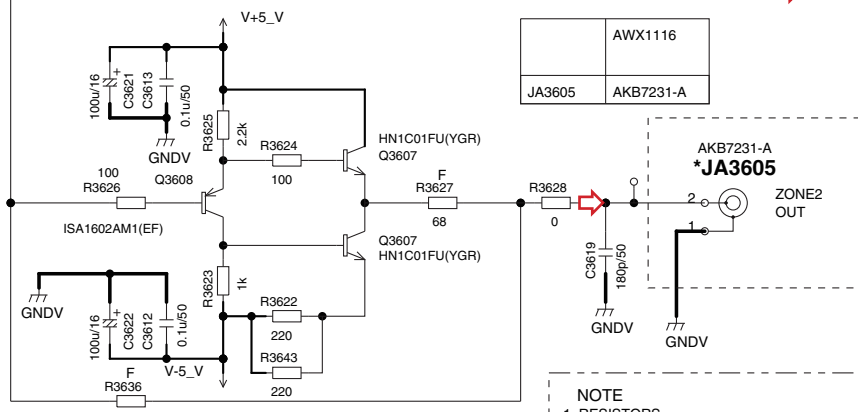
E

F

1 2 3 4



G 1/2  
CN8303



	AWX1116
C3608 C3610	NM
C3618	NM
R3615	NM
R3616	NM
R3617	NM
R3618 R3619	NM
R3620	NM
R3621 R3644	NM
Q3605	NM
Q3606	NM

**NOTE**

- RESISTORS  
Unit: k-k Ω, M-M Ω or Ω unless otherwise noted.  
Rated Power: 1/10w unless otherwise noted.  
Tolerance: (J)5% unless otherwise noted.
- CAPACITORS  
Unit: p-pF or u-uF unless otherwise noted.  
Ratings: Capacity(F)/Voltage(V) unless otherwise noted.  
CH : CCSRYCH  
NO MARKED : CKSRYB
- NM: No Mount

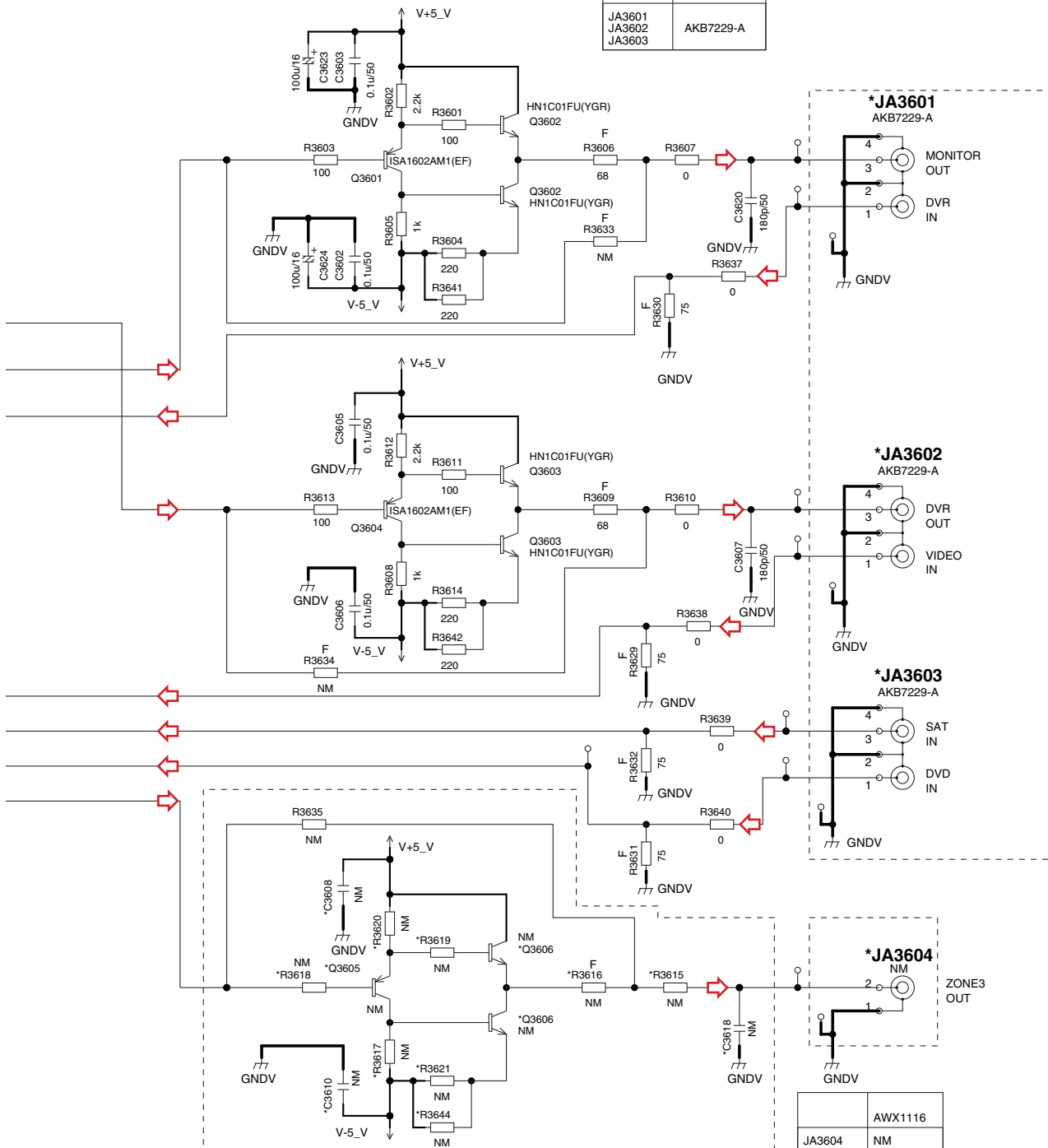
↔: Video Signal Route

H

1 2 3 4

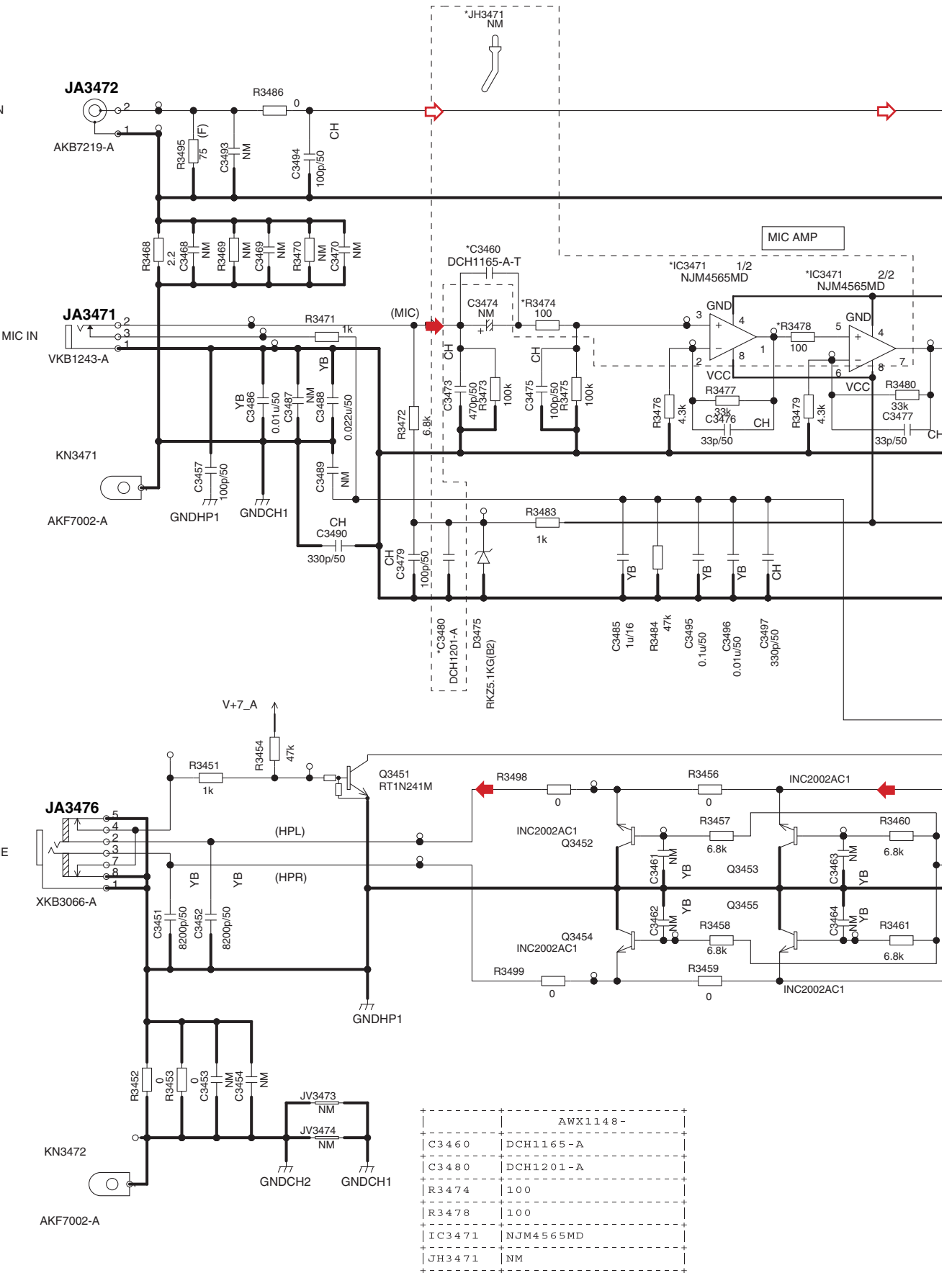
# H COMPOSITE ASSY (AWX1116)

	AWX1116
JA3601 JA3602 JA3603	AKB7229-A



	AWX1116
JA3604	NM

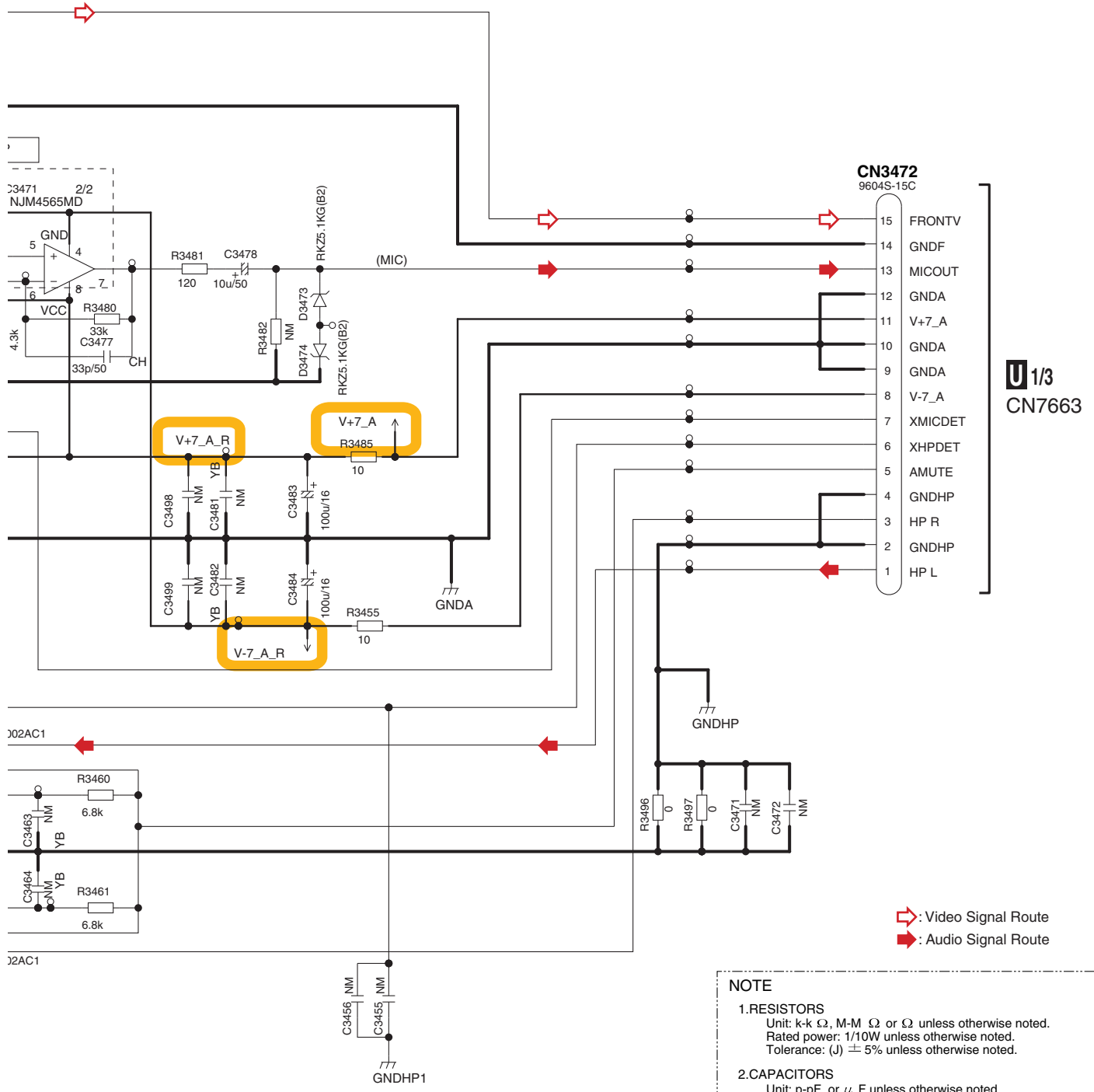
# 10.21 MIC HP ASSY



AWX1148-	
C3460	DCH1165-A
C3480	DCH1201-A
R3474	100
R3478	100
IC3471	NJM4565MD
JH3471	NM

# MIC HP ASSY (AWX1148)

A  
B  
C  
D  
E  
F



**NOTE**

1. RESISTORS  
 Unit: k-k Ω, M-M Ω or Ω unless otherwise noted.  
 Rated power: 1/10W unless otherwise noted.  
 Tolerance: (J) ± 5% unless otherwise noted.

2. CAPACITORS  
 Unit: p-pF, or μ F unless otherwise noted.  
 Ratings: Capacity(μ F)/Voltage(V) unless otherwise noted.



# 10.22 DISPLAY ASSY (1/2)

1 2 3 4

A

B

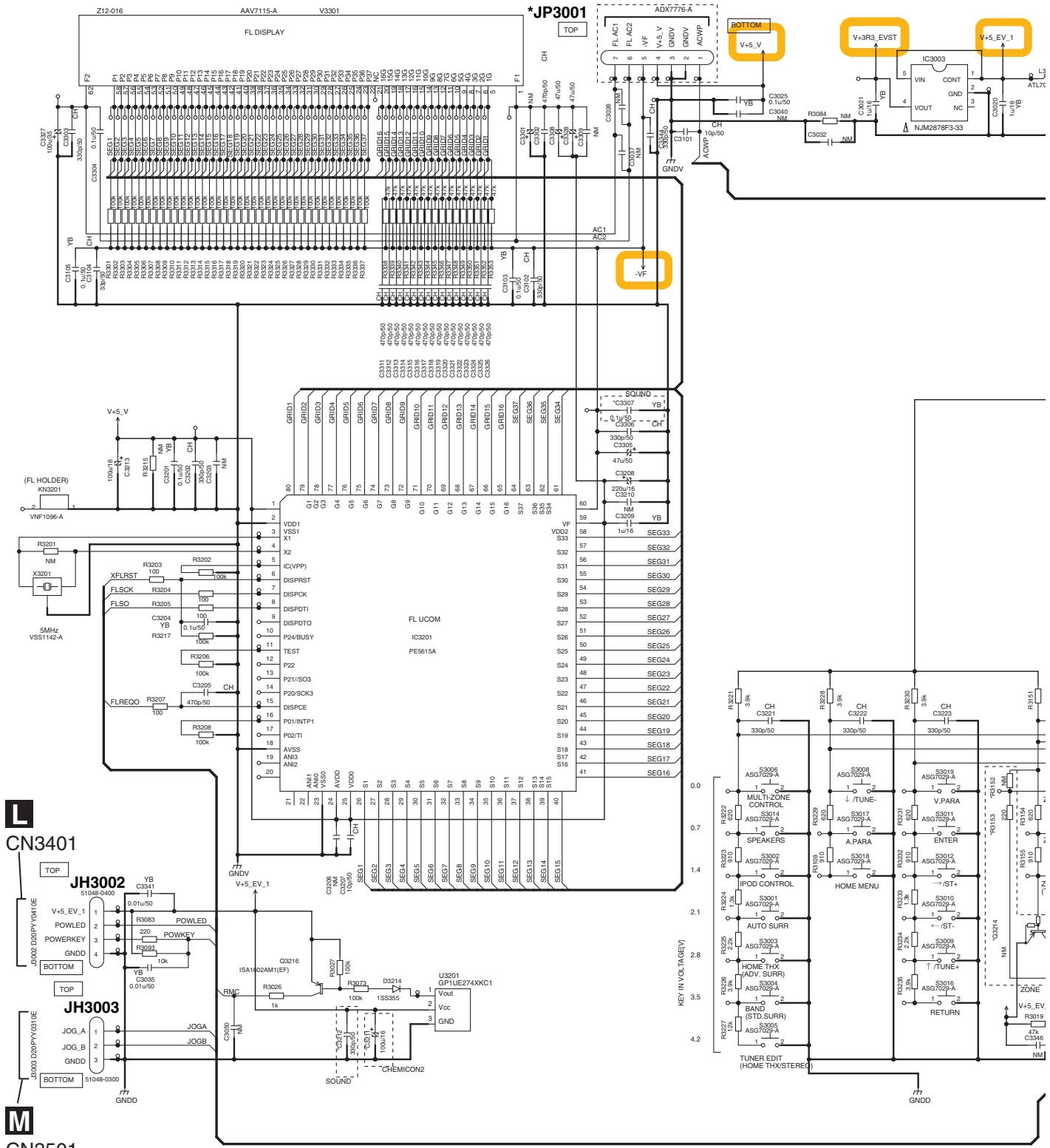
C

D

E

F

U 2/3  
CN7553



L  
CN3401

M  
CN3501

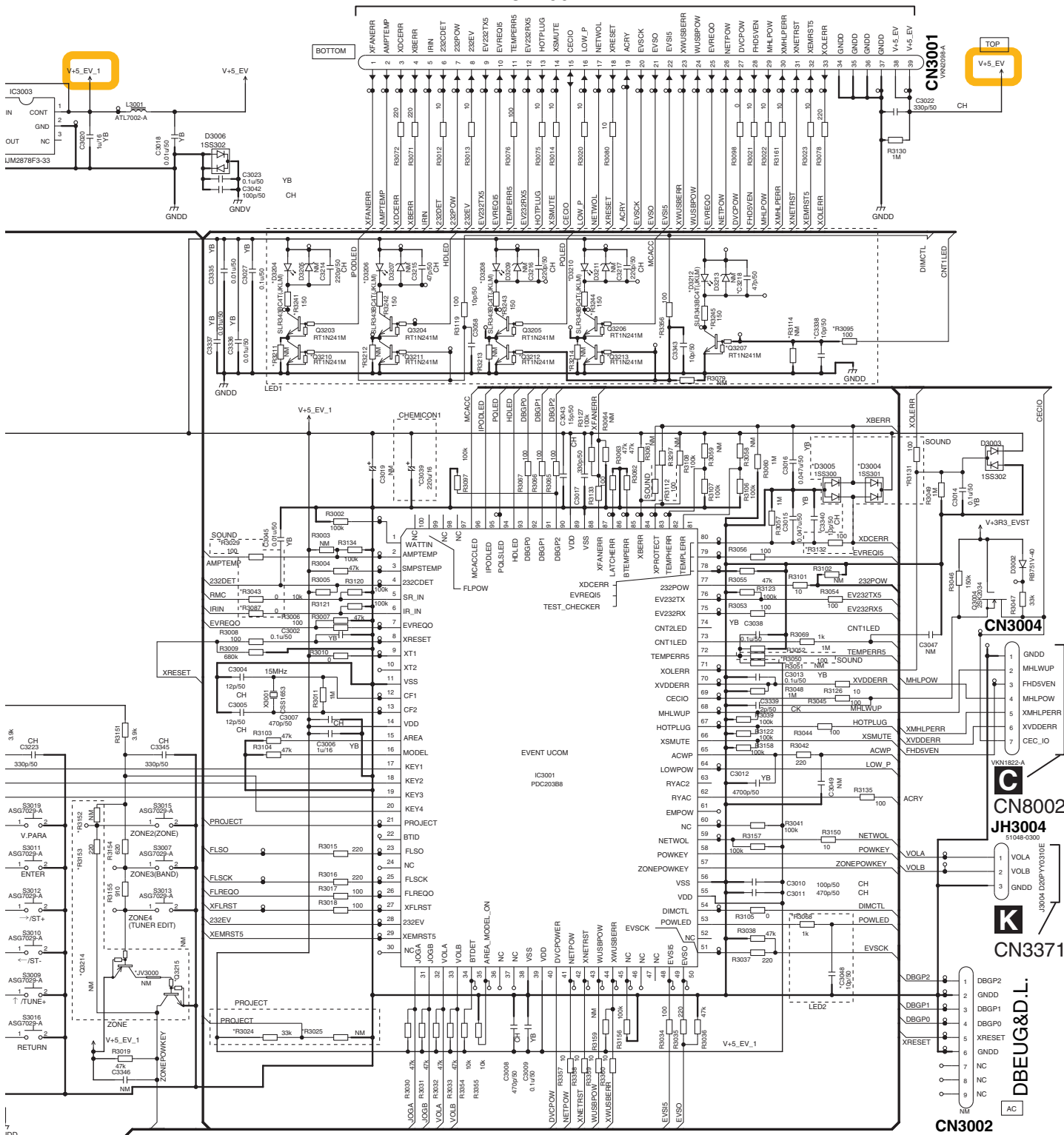
The  $\Delta$  mark found on some component parts should be replaced with same parts (safety regulation authorized) of identical designation.

J 1/2

1 2 3 4

**J** 1/2 **DISPLAY ASSY (1/2)**  
**(SC-63/SC-61 :AWX1208)**  
**(SC-1227-K/SC-1222-K :AWX1209)**

**U** 3/3  
**CN7902**



**NOTE**  
 1. RESISTORS  
 Unit:  $\times 10^3 \Omega$ ,  $10^4 \Omega$  or  $\Omega$  unless otherwise noted.  
 Rated power:  $1/10W$  unless otherwise noted.  
 Tolerance ( $\mu$ ) = 5% unless otherwise noted.  
 2. CAPACITORS  
 Unit:  $\mu F$  or  $\mu F$  or unless otherwise noted.  
 Ratings: Capacity ( $\mu$ : F)/Voltage( $\mu$ : V) unless otherwise noted.  
 YB: GKSRYB CH.CCSRPH AT.CEAT JO.CEJO  
 3.NM: No mount

**SC-63**

**J** 1/2  
 129



# 10.23 DISPLAY ASSY (2/2)

A

PROJECT	AWX1208-	AWX1209-	AWX1255-
R3024	33k	33k	33k
R3025	22k	22k	22k

LED1	AWX1208-	AWX1209-	AWX1255-
C3218	47p/50	NM	NM
C3338	10p/50	NM	NM
R3079	NM	0	0
R3095	100	NM	NM
R3114	NM	0	0
R3211	NM	0	0
R3212	NM	0	0
R3213	NM	0	0
R3214	NM	0	0
R3241	150	680	680
R3242	150	680	680
R3243	150	680	680
R3244	150	680	680
R3245	150	NM	NM
R3356	100	NM	NM
D3204	SLR343BC4T (JKLM)	SLR-343VC (NPQ)	SLR-343VC (NPQ)
D3206	SLR343BC4T (JKLM)	SLR-343VC (NPQ)	SLR-343VC (NPQ)
D3208	SLR343BC4T (JKLM)	SLR-343VC (NPQ)	SLR-343VC (NPQ)
D3210	SLR343BC4T (JKLM)	SLR-343VC (NPQ)	SLR-343VC (NPQ)
D3212	SLR343BC4T (JKLM)	NM	NM
Q3207	DTC124EUA	NM	NM
Q3210	DTC124EUA	NM	NM
Q3211	DTC124EUA	NM	NM
Q3212	DTC124EUA	NM	NM
Q3213	DTC124EUA	NM	NM

B

LED2	AWX1208-	AWX1209-	AWX1255-
C3048	10p/50	NM	NM
R3068	1k	NM	NM

C

ZONE	AWX1208-	AWX1209-	AWX1255-
R3152	NM	NM	NM
R3153	220	220	220
JV3000	NM	NM	NM
Q3214	NM	NM	NM
Q3215	NM	NM	NM

D

JP3001	AWX1208-	AWX1209-	AWX1255-
JP3001	ADX7776-A	ADX7776-A	ADX7776-A

E

CHEMICON1	AWX1208-	AWX1209-	AWX1255-
C3039	220u/16	220u/16	220u/16

F

CHEMICON2	AWX1208-	AWX1209-	AWX1255-
C3211	100u/16	100u/16	100u/16

SOUND	AWX1208-	AWX1209-	AWX1255-
C3212	330p/50	330p/50	330p/50
C3307	0.1u/50	0.1u/50	0.1u/50
D3004	1SS301	1SS301	1SS301
D3005	1SS300	1SS300	1SS300
R3043	0	0	0
R3087	0	0	0
R3029	100	100	100
R3112	100	100	100
R3131	100	100	100
R3132	100	100	100
R3050	100	100	100

**J**<sub>1/2</sub> **DISPLAY ASSY (1/2)**  
 (SC-63/SC-61 :AWX1208)  
 (SC-1227-K/SC-1222-K :AWX1209)

A

B

C

D

E

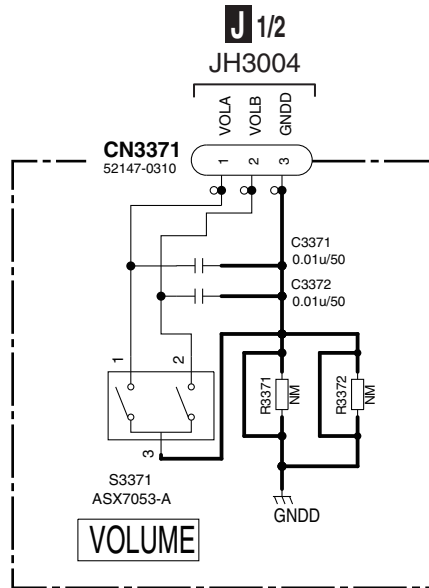
F

SC-63

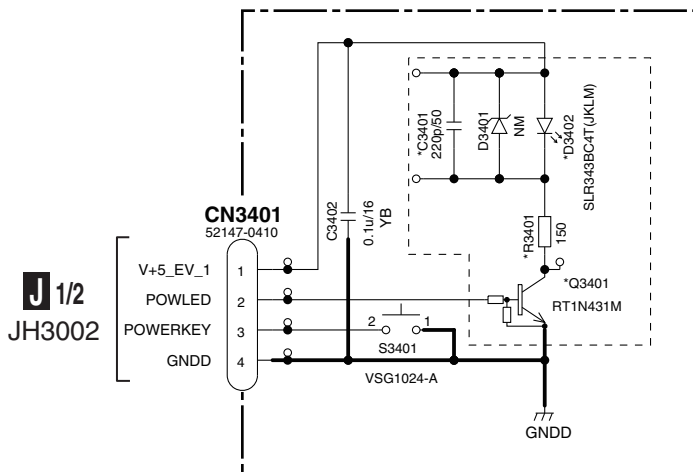
**J**<sub>2/2</sub>

# 10.24 VOL ASSY and POWER SW ASSY

## K VOL ASSY (AWX1134)



## L POWER SW ASSY (SC-63/SC-61 :AWX1135) (SC-1227-K/SC-1222-K :AWX1151)

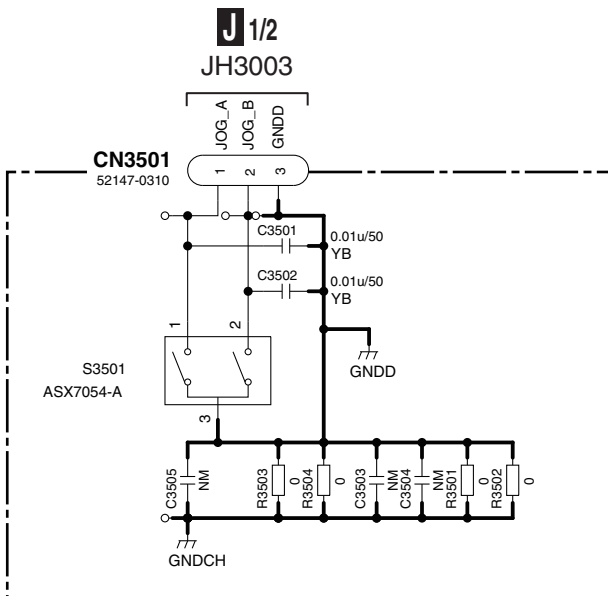


	AWX1135-	AWX1151-
C3401	220p/50	NM
R3401	150	NM
D3402	SLR343BC4T(JKLM)	NM
Q3401	RT1N431M	NM

### NOTE

- RESISTORS  
Unit: k-k Ω, M-M Ω or Ω unless otherwise noted.  
Rated Power: 1/16w unless otherwise noted.  
Tolerance: (J)5% unless otherwise noted.
- CAPACITORS  
Unit: p-pF or u-uF unless otherwise noted.  
Ratings: Capacity(F)/Voltage(V) unless otherwise noted.
- YB : CKSRYB CH : CCSRCE  
3. NM: No Mount

**M** ENCODER ASSY  
 (AWX1150)



**NOTE**

**1.RESISTORS**

Unit :k Ω , M-M Ω or Ω unless otherwise noted.  
 Rated power :1/10W unless otherwise noted.  
 Tolerance : (J) ± 5% unless otherwise noted.

**2.CAPACITORS**

Unit :p-pF or μ F or unless otherwise noted.  
 Ratings :Capacity(μ F)/Voltage(V) unless otherwise noted.  
 YB :CKSRYB

**3,NM** :No mount

# 10.26 IR BUFFER ASSY (1/2)

1

2

3

4

A

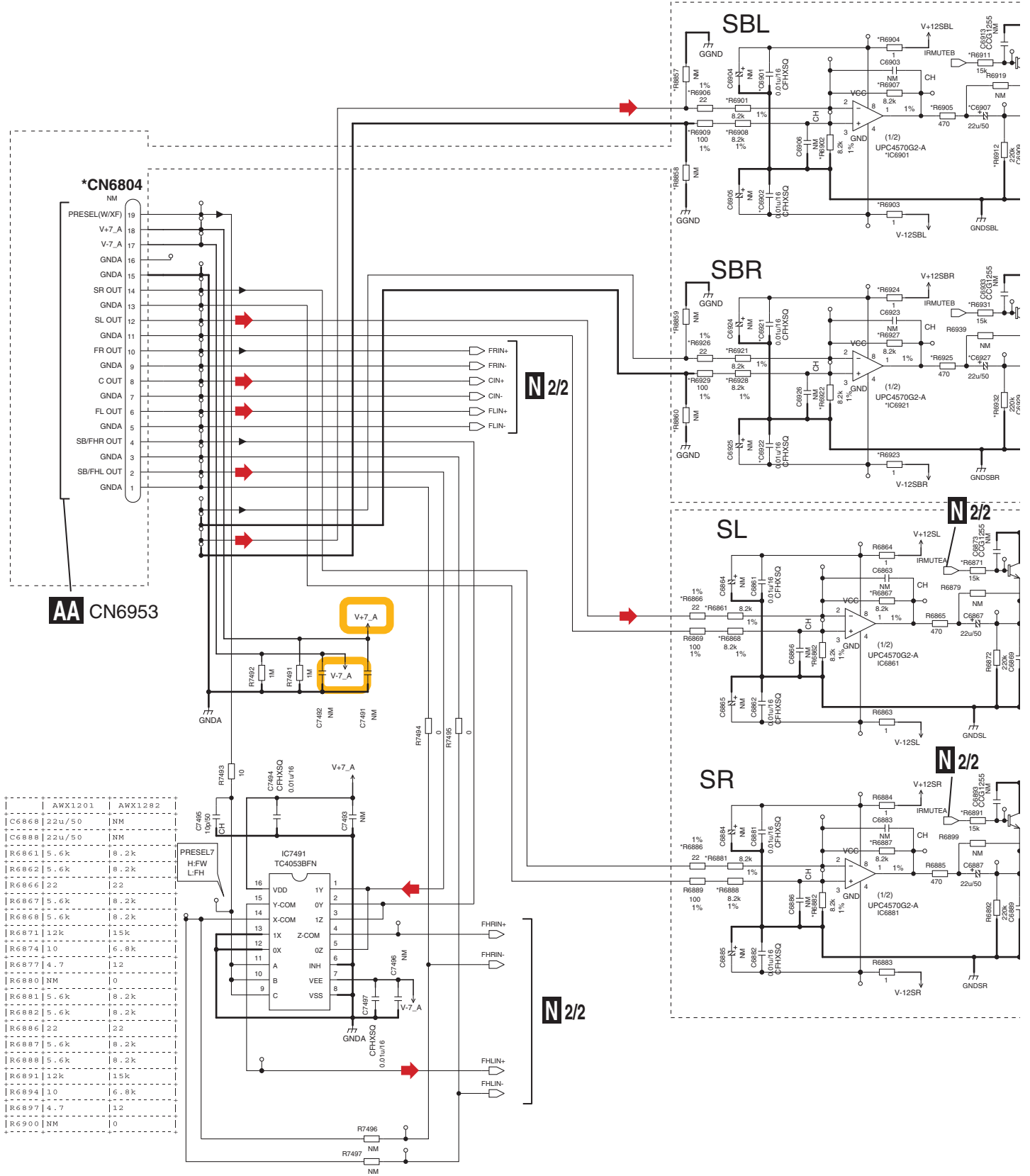
B

C

D

E

F



AA CN6953

N 2/2

N 2/2

N 2/2

N 2/2

N 1/2

1

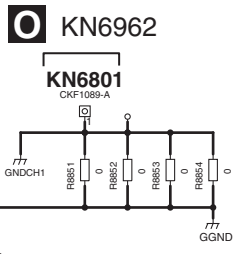
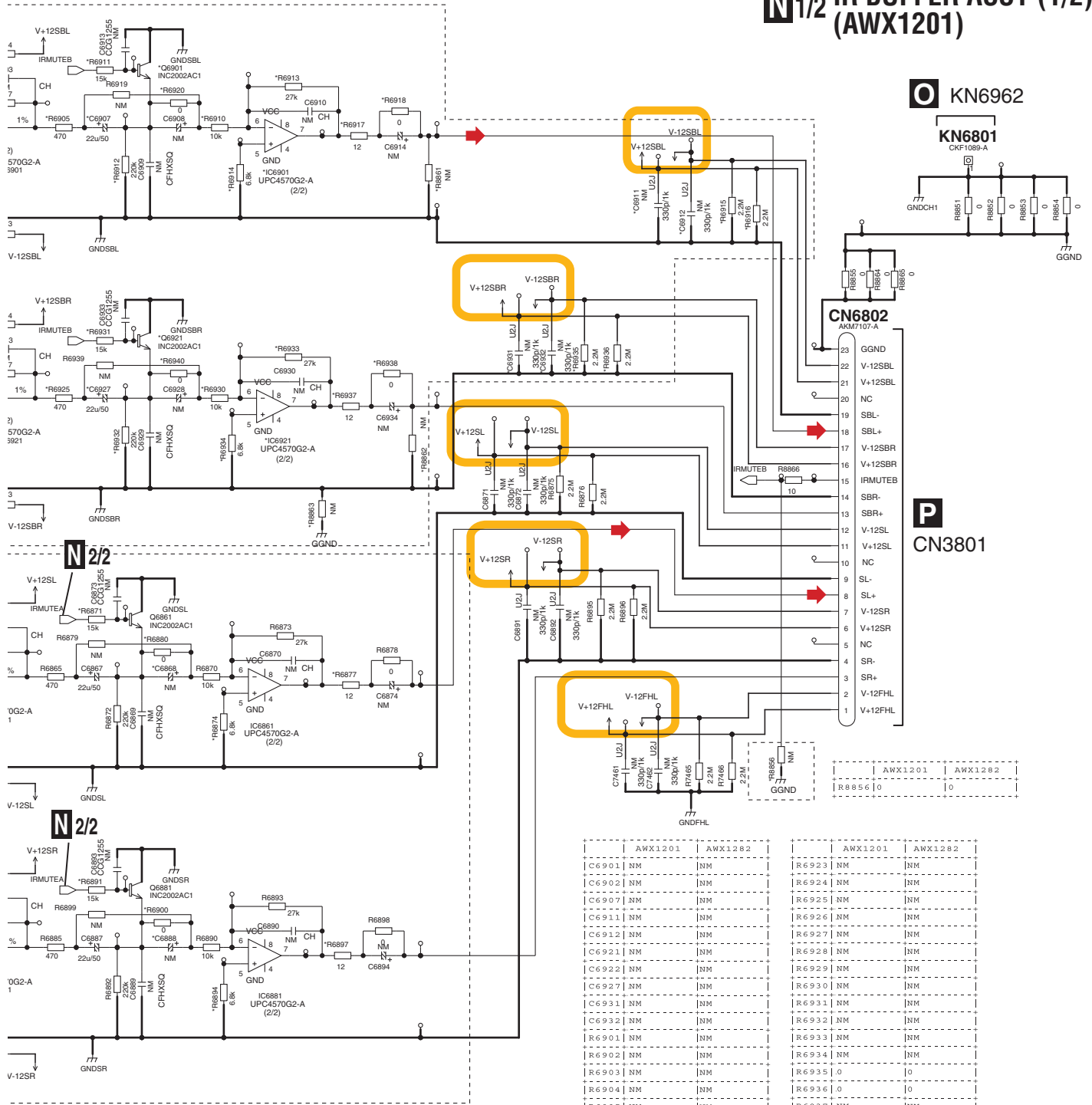
2

3

4

NC  
1. RI  
Unit  
Rati  
Tol  
2. C  
Unit  
Rati  
YB  
3. NI

# N<sup>1/2</sup> IR BUFFER ASSY (1/2) (AWX1201)



N<sup>2/2</sup>

N<sup>2/2</sup>

➔ : Audio Signal Route

1608 SIZE	2125 SIZE	3216 SIZE
RS1/16S***	RS1/10S***	RS1/8S***
RN1/16S***	RS1/8SQ***	RS1/4SA***
CCSR***	CCSQ***	CCS***
CKSR***	CKSQ***	CKS***

**NOTE**

- RESISTORS**  
Unit: k-kΩ, M-MΩ or Ω unless otherwise noted.  
Rated Power: 1/16w unless otherwise noted.  
Tolerance: (J)5% unless otherwise noted.
- CAPACITORS**  
Unit: p-pF or μ-μF unless otherwise noted.  
Ratings: Capacity(F)/Voltage(V) unless otherwise noted.  
YB,CKSR,YB,CH,CCSR,CH
- NM: No Mount

	AWX1201	AWX1282	AWX1201	AWX1282
[C6901]	NM		[R6923]	NM
[C6902]	NM		[R6924]	NM
[C6907]	NM		[R6925]	NM
[C6911]	NM		[R6926]	NM
[C6912]	NM		[R6927]	NM
[C6921]	NM		[R6928]	NM
[C6922]	NM		[R6929]	NM
[C6927]	NM		[R6930]	NM
[C6931]	NM		[R6931]	NM
[C6932]	NM		[R6932]	NM
[R6901]	NM		[R6933]	NM
[R6902]	NM		[R6934]	NM
[R6903]	NM		[R6935]	0
[R6904]	NM		[R6936]	0
[R6905]	NM		[R6937]	NM
[R6906]	NM		[R6938]	NM
[R6907]	NM		[R6940]	NM
[R6908]	NM		[R8857]	0
[R6909]	NM		[R8858]	0
[R6910]	NM		[R8859]	0
[R6911]	NM		[R8860]	0
[R6912]	NM		[R8861]	0
[R6913]	NM		[R8862]	0
[R6914]	NM		[R8863]	0
[R6915]	0	0	[C6901]	NM
[R6916]	0	0	[C6921]	NM
[R6917]	NM		[CN6801]	NM
[R6918]	NM		[CN6804]	AKN7071-A
[R6920]	NM		[C6901]	NM
[R6921]	NM		[C6921]	NM
[R6922]	NM			



# 10.27 IR BUFFER ASSY (2/2)

1

2

3

4

A

	AWX1201	AWX1282
C7458	22u/50	NM
C7478	22u/50	NM
R7451	5.6k	8.2k
R7452	5.6k	8.2k
R7456	22	22
R7457	5.6k	8.2k
R7458	5.6k	8.2k
R7461	12k	15k
R7464	10	6.8k
R7467	4.7	12
R7470	NM	0
R7471	5.6k	8.2k
R7472	5.6k	8.2k
R7476	22	22
R7477	5.6k	8.2k
R7478	5.6k	8.2k
R7484	10	6.8k
R7487	4.7	12
R7490	NM	0

B

	AWX1201	AWX1282
C6808	22u/50	NM
C6801	5.6k	8.2k
R6802	5.6k	8.2k
R6806	22	22
R6807	5.6k	8.2k
R6808	5.6k	8.2k
R6811	12k	15k
R6814	10	6.8k
R6817	4.7	12
R6820	NM	0

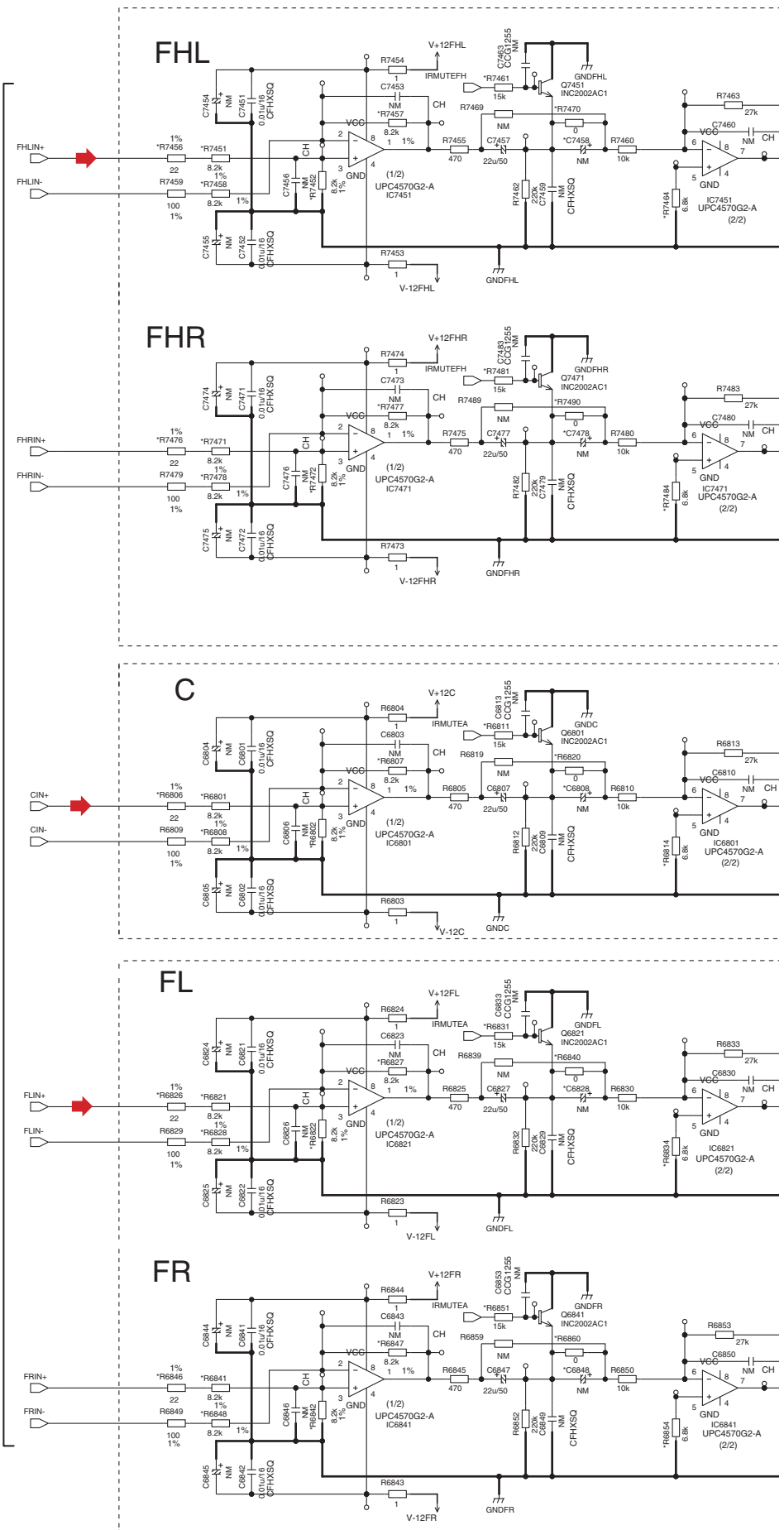
C

D

E

F

	AWX1201	AWX1282
C6848	22u/50	NM
R6821	5.6k	8.2k
R6822	5.6k	8.2k
R6826	22	22
R6827	5.6k	8.2k
R6828	5.6k	8.2k
R6831	12k	15k
R6834	10	6.8k
R6837	4.7	12
R6840	NM	0
R6841	5.6k	8.2k
R6842	5.6k	8.2k
R6846	22	22
R6847	5.6k	8.2k
R6848	5.6k	8.2k
R6851	12k	15k
R6854	10	6.8k
R6857	4.7	12
R6860	NM	0



N 1/2

N 2/2

SC-63

1

2

3

4

# N<sup>1/2</sup> IR BUFFER ASSY (2/2) (AWX1201)

A

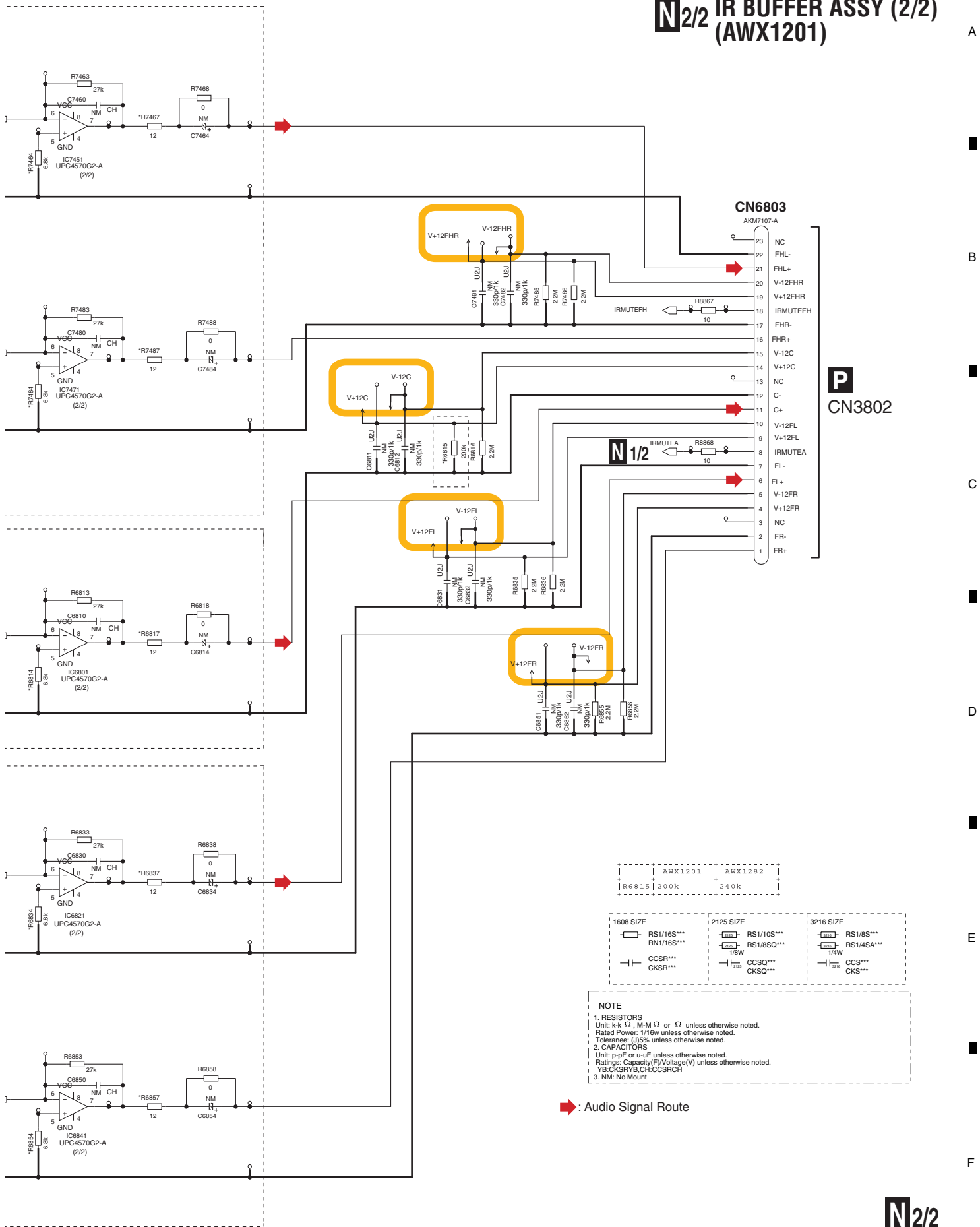
B

C

D

E

F



	AWX1201	AWX1282
R6815	200k	240k

1608 SIZE	12125 SIZE	3216 SIZE
RS1/16S***	RS1/10S***	RS1/8S***
RN1/16S***	RS1/8SQ***	RS1/4SA***
CCSR***	1/8W	1/4W
CKSR***	CCSQ***	CCS***
	CKSQ***	CKS***

**NOTE**

1. RESISTORS  
Unit: k- $\Omega$ , M-M  $\Omega$  or  $\Omega$  unless otherwise noted.  
Rated Power: 1/16w unless otherwise noted.  
Tolerance: J/5% unless otherwise noted.

2. CAPACITORS  
Unit: p-pF or u-uF unless otherwise noted.  
Ratings: Capacity(F), Voltage(V) unless otherwise noted.  
YB, CKSRYB, CH, CCSRCH

3. NM: No Mount

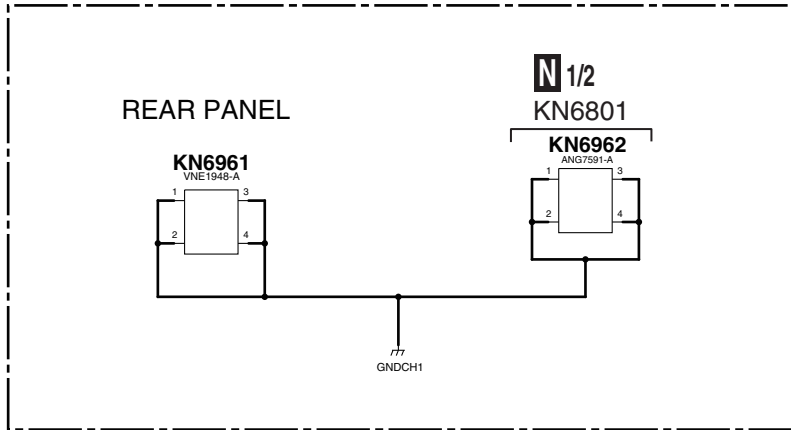
➔ : Audio Signal Route

# 10.28 BUFFER GND ASSY and IR INTERFACE ASSY

**P** IR IN  
(AW)

**O** BUFFER GND ASSY  
(AWX1156)

**N** 1/2  
CN6802



G  
GC  
V-12S  
V+12S  
S  
SI  
V-12SI  
V+12SI  
IRMUTE  
SE  
SB  
V-12  
V+12  
V-12  
V+12  
ε  
ε  
V-12FI  
V+12F

F  
Ff  
V-12Ff  
V+12Ff  
IRMUTEF  
Ff  
Ff  
V-1  
V+1  
V-12  
V+12f  
IRMUTE  
f  
f  
V-12f  
V+12f  
f  
f

**N** 2/2  
CN6803

**NOTE**  
1. RESISTORS  
Unit: k-k Ω, M-M Ω or Ω unless otherwise noted.  
Rated Power: 1/16w unless otherwise noted.  
Tolerance: (J)5% unless otherwise noted.  
2. CAPACITORS  
Unit: p-pF or u-uF unless otherwise noted.  
Ratings: Capacity(F)/Voltage(V) unless otherwise noted.  
YB:CKSR YB,CH:CCSRCH  
3. NM: No Mount

1608 SIZE	2125 SIZE	3216 SIZE
RS1/16S*** RN1/16S***	RS1/10S*** RS1/8SQ*** 1/8W	RS1/8S*** RS1/4SA*** 1/4W
CCSR*** CKSR***	CCSQ*** CKSQ***	CCS*** CKS***

awx1194	
CN 3 8 2 0	NM

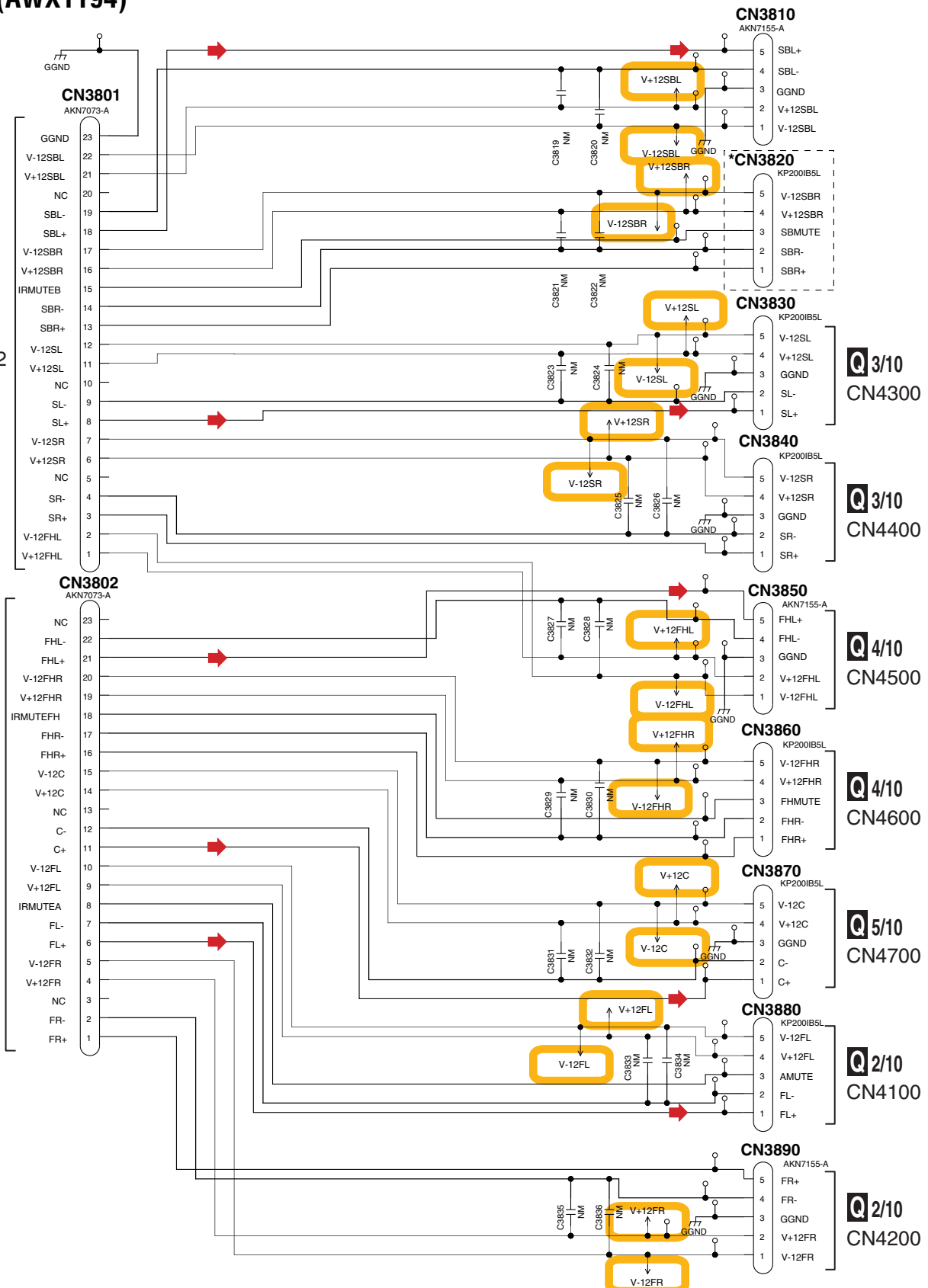


# P IR INTERFACE ASSY (AWX1194)

A  
B  
C  
D  
E  
F

N 1/2  
CN6802

N 2/2  
CN6803



➔ : Audio Signal Route

SC-63

P

# 10.29 D-AMP\_S ASSY (1/10)

1 2 3 4

A

B

F

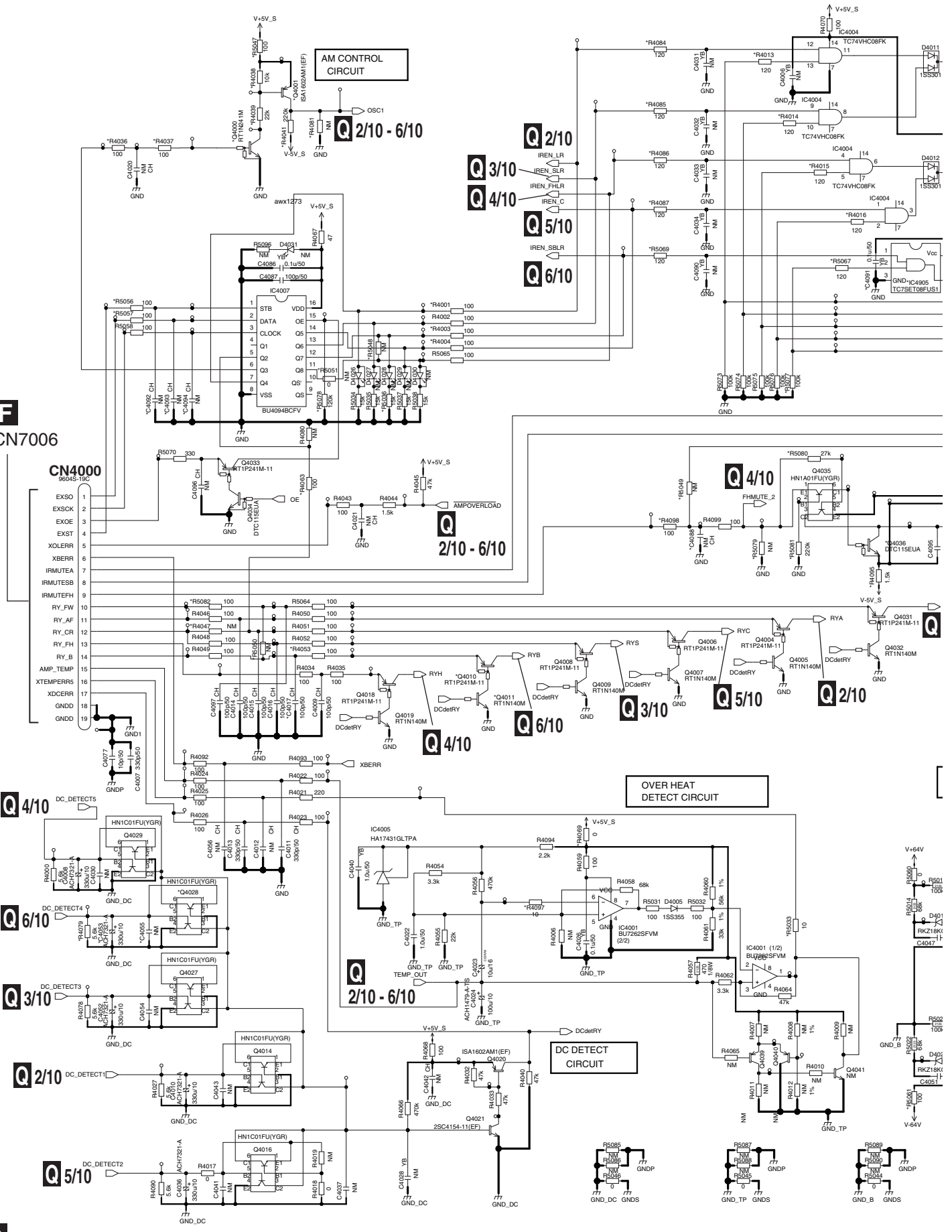
CN7006

C

D

E

F



Q1/10

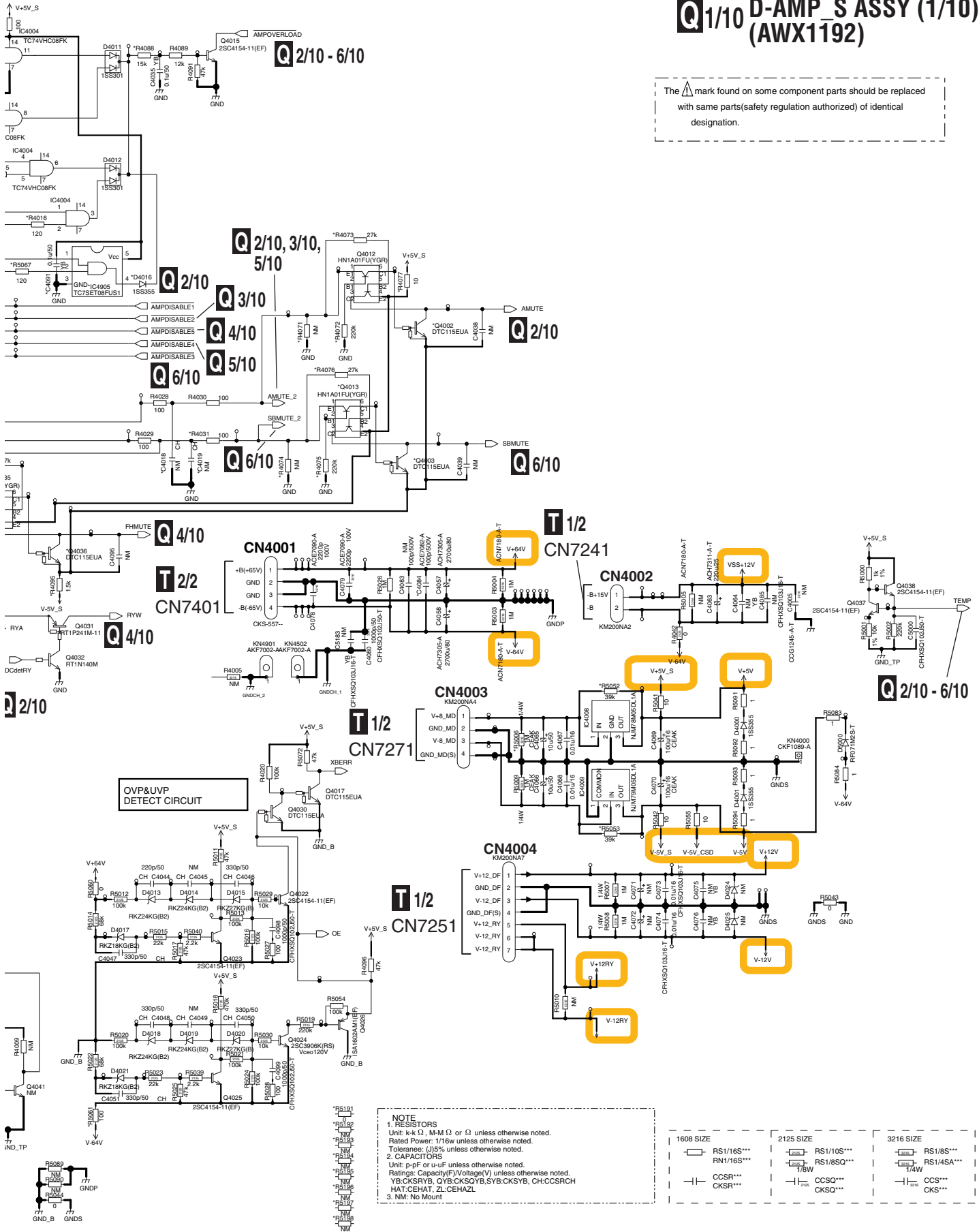
140

SC-63

1 2 3 4

# Q1/10 D-AMP\_S ASSY (1/10) (AWX1192)

The  $\Delta$  mark found on some component parts should be replaced with same parts(safety regulation authorized) of identical designation.



A  
B  
C  
D  
E  
F



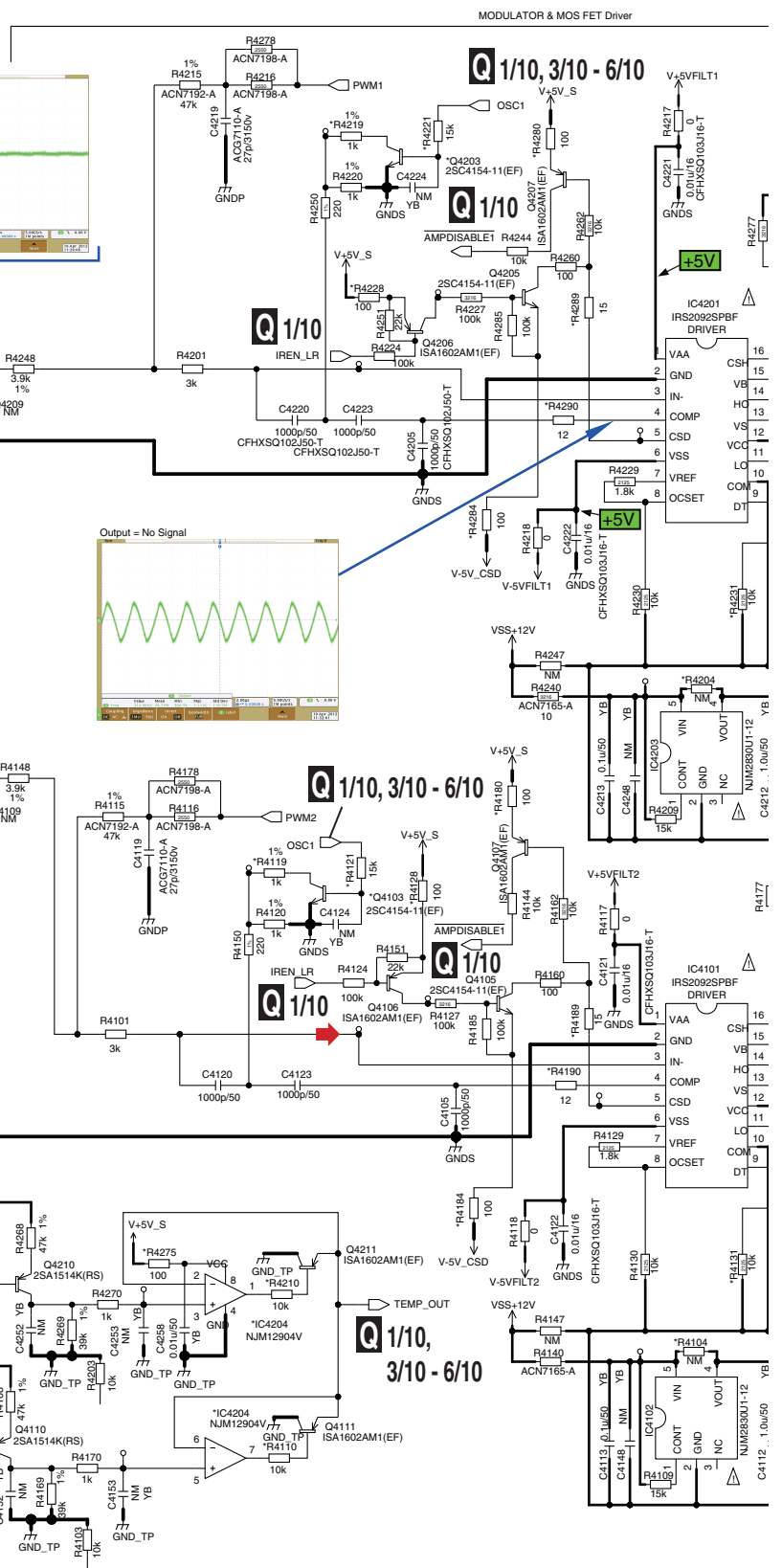
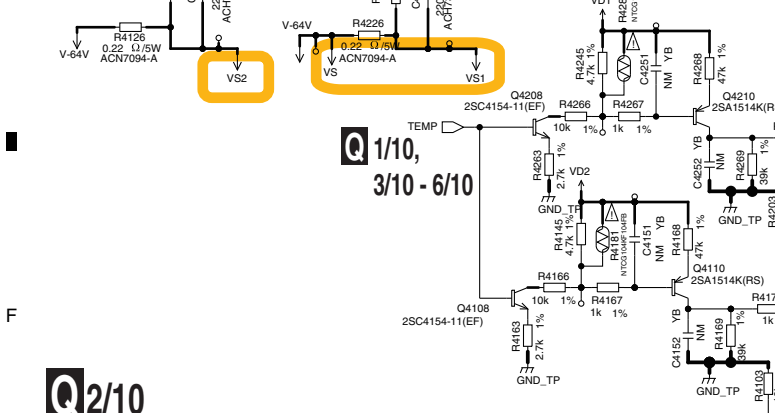
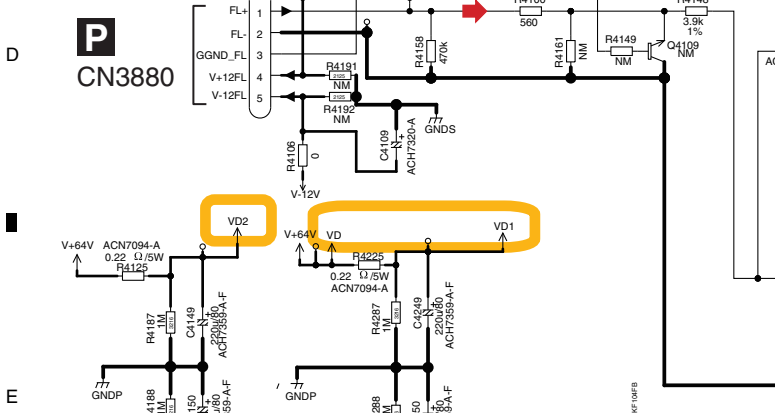
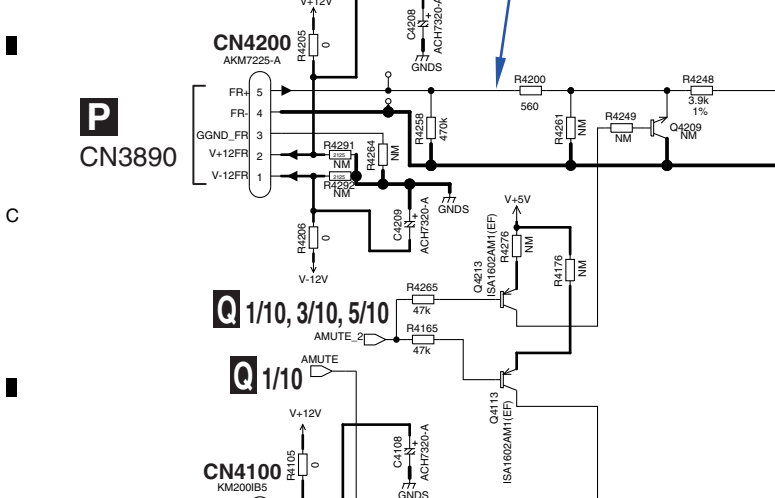
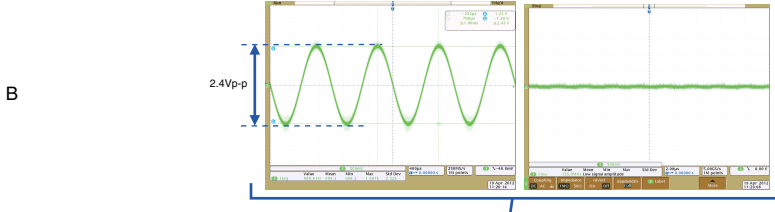
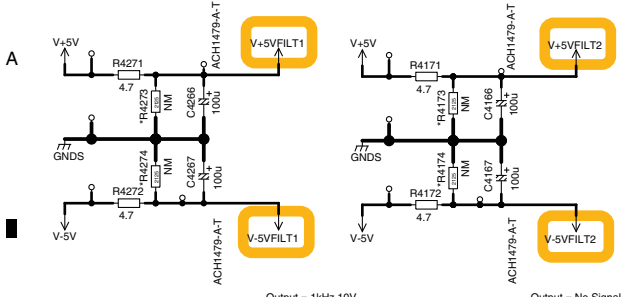
# 10.30 D-AMP\_S ASSY (2/10)

1

2

3

4



**Q2/10**

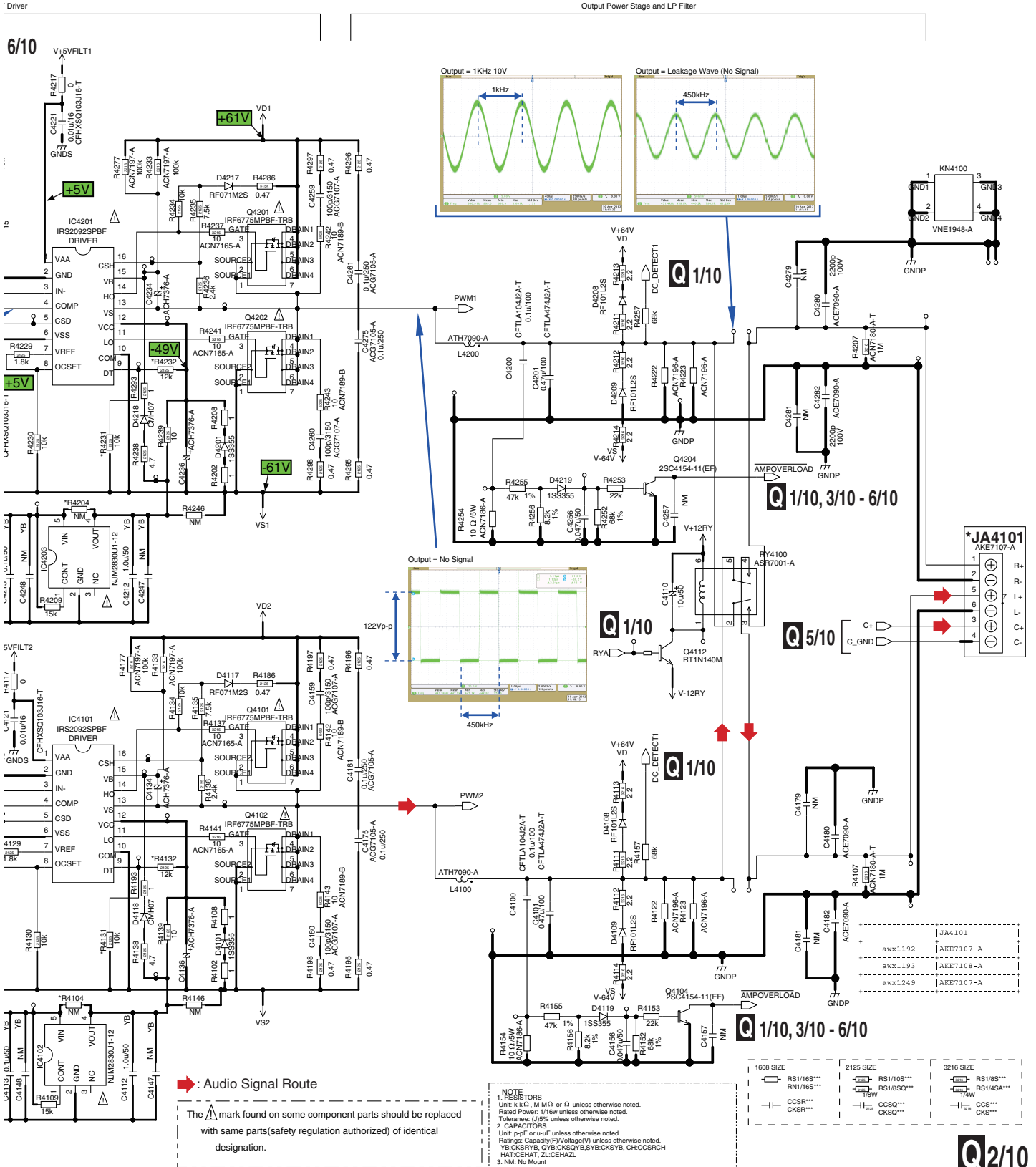
1

2

3

4

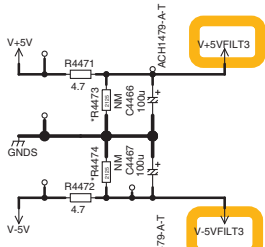
# Q2/10 D-AMP\_S ASSY (2/10) (AWX1192)



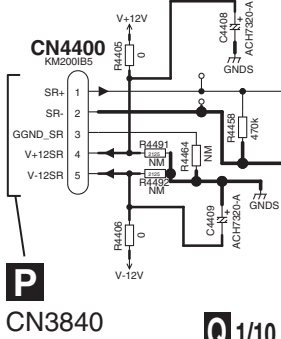
# 10.31 D-AMP\_S ASSY (3/10)

MODULATOR & MOS FET Driver

A



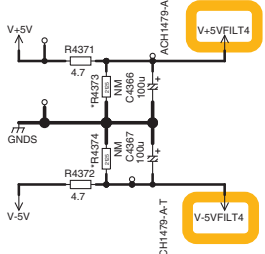
B



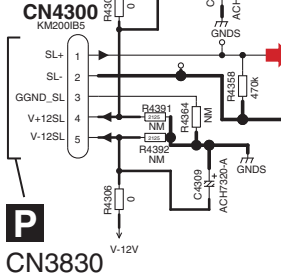
P

CN3840

C



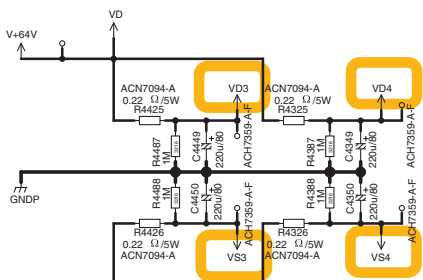
D



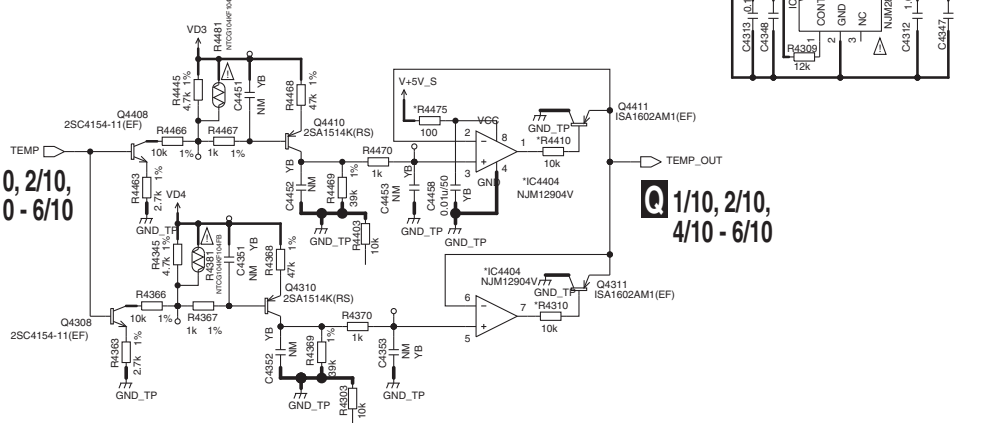
P

CN3830

E



F



Q3/10

1

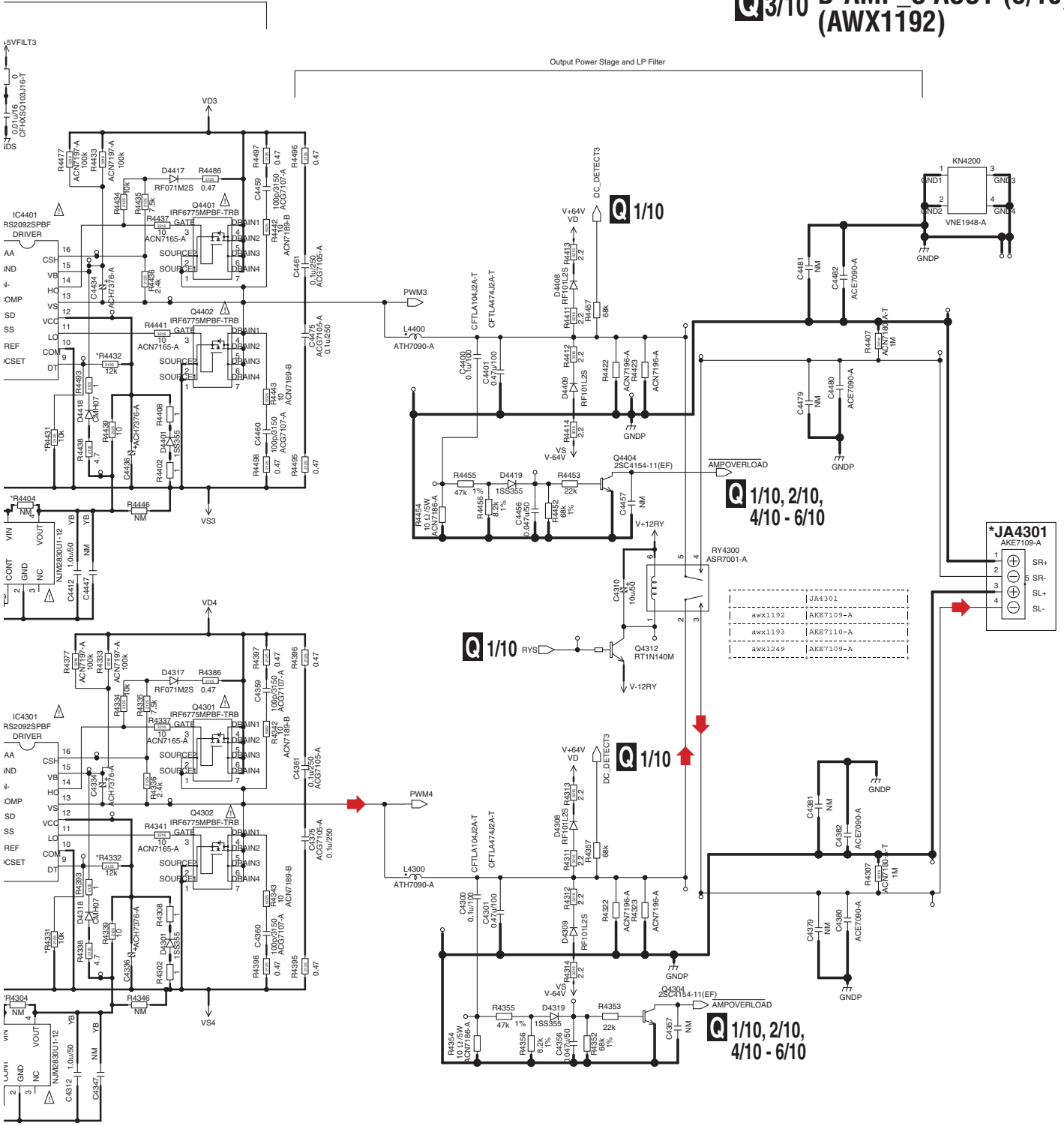
2

3

4

# Q3/10 D-AMP S ASSY (3/10) (AWX1192)

A  
B  
C  
D  
E  
F



➔ : Audio Signal Route

The  $\Delta$  mark found on some component parts should be replaced with same parts (safety regulation authorized) of identical designation.

1608 SIZE	2125 SIZE	3216 SIZE
RS1/16S*** RN1/16S***	RS1/10S*** RS1/8S0***	RS1/8S*** RS1/4SA***
CCSR*** CKSR***	1/8W CCS0*** CKS0***	1/4W CCS*** CKS***

NOTE

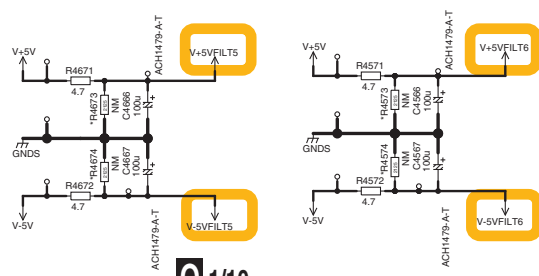
- RESISTORS  
Unit: k-k (Ω), M-M (Ω) or Ω unless otherwise noted.  
Rated Power: 1/8W unless otherwise noted.  
Tolerance: J:5% unless otherwise noted.
- CAPACITORS  
Unit: p-pF or u-uF unless otherwise noted.  
Ratings: Capacity (F) (Voltage (V)) unless otherwise noted,  
YB:CK:SR:YB, CV:CK:SO:YB, SV:CK:SV, CH:CC:SR:CH  
HAT:CE:HAZL, ZL:CE:HAZL
- NM: No Mount



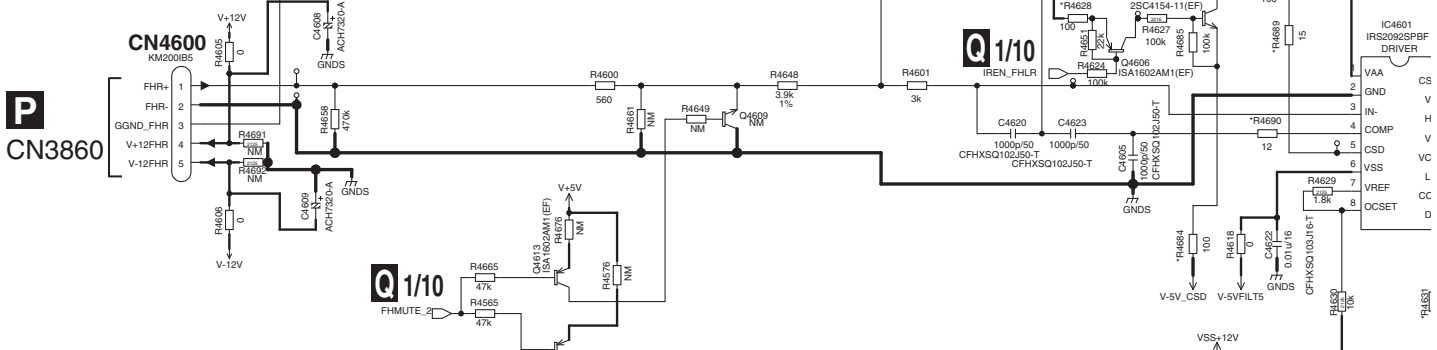
# 10.32 D-AMP\_S ASSY (4/10)

1 2 3 4

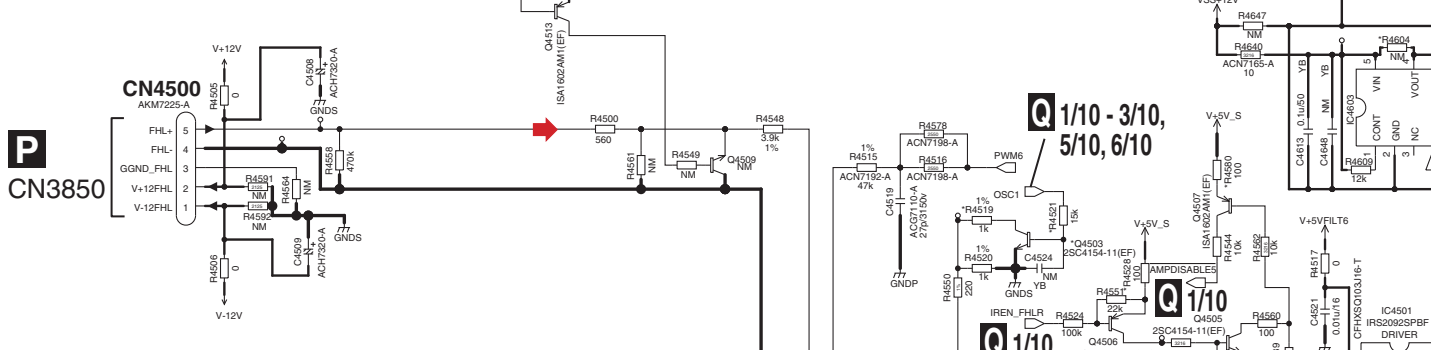
A



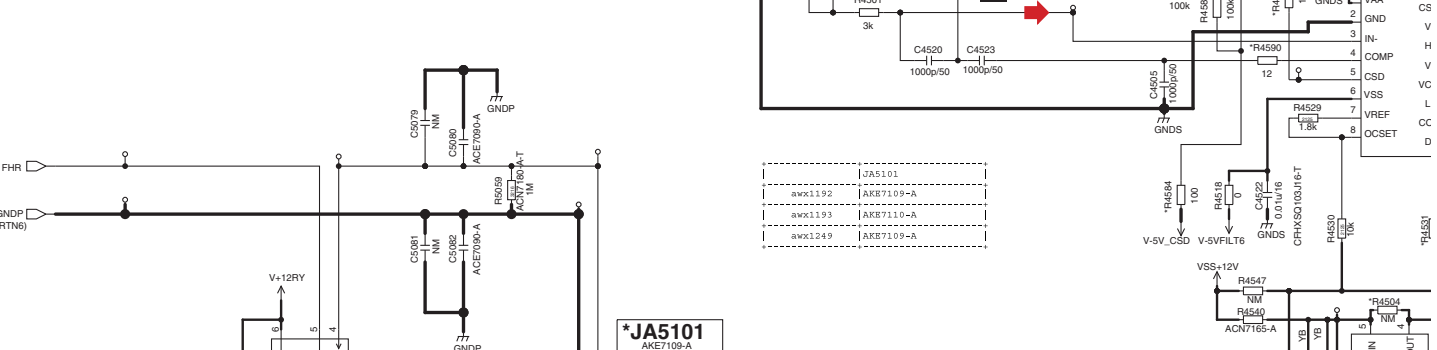
B



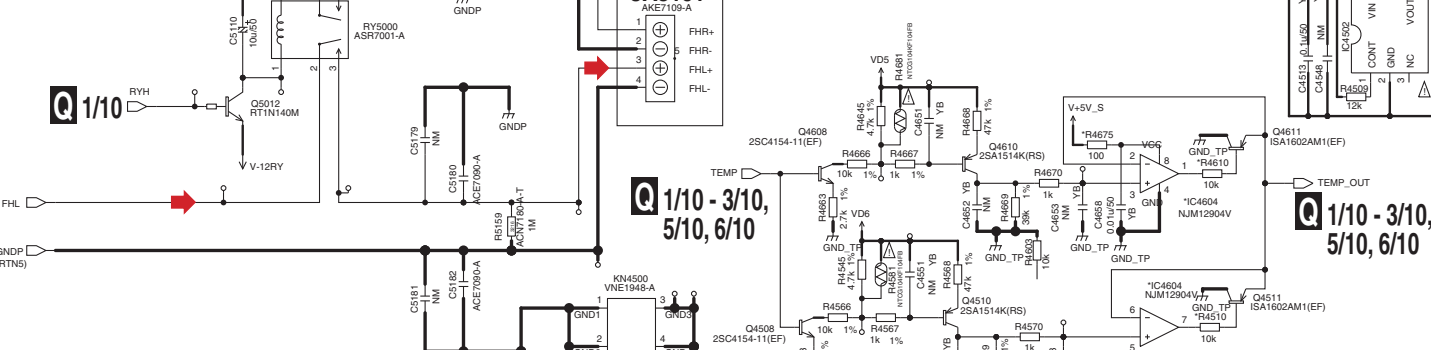
C



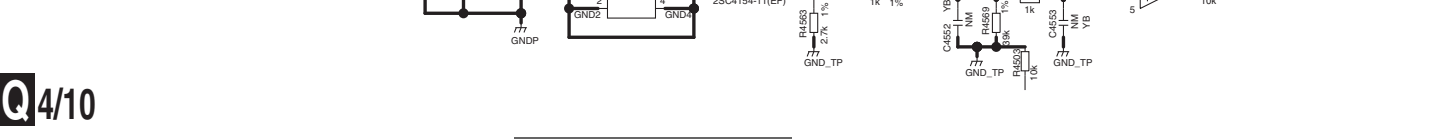
D



E



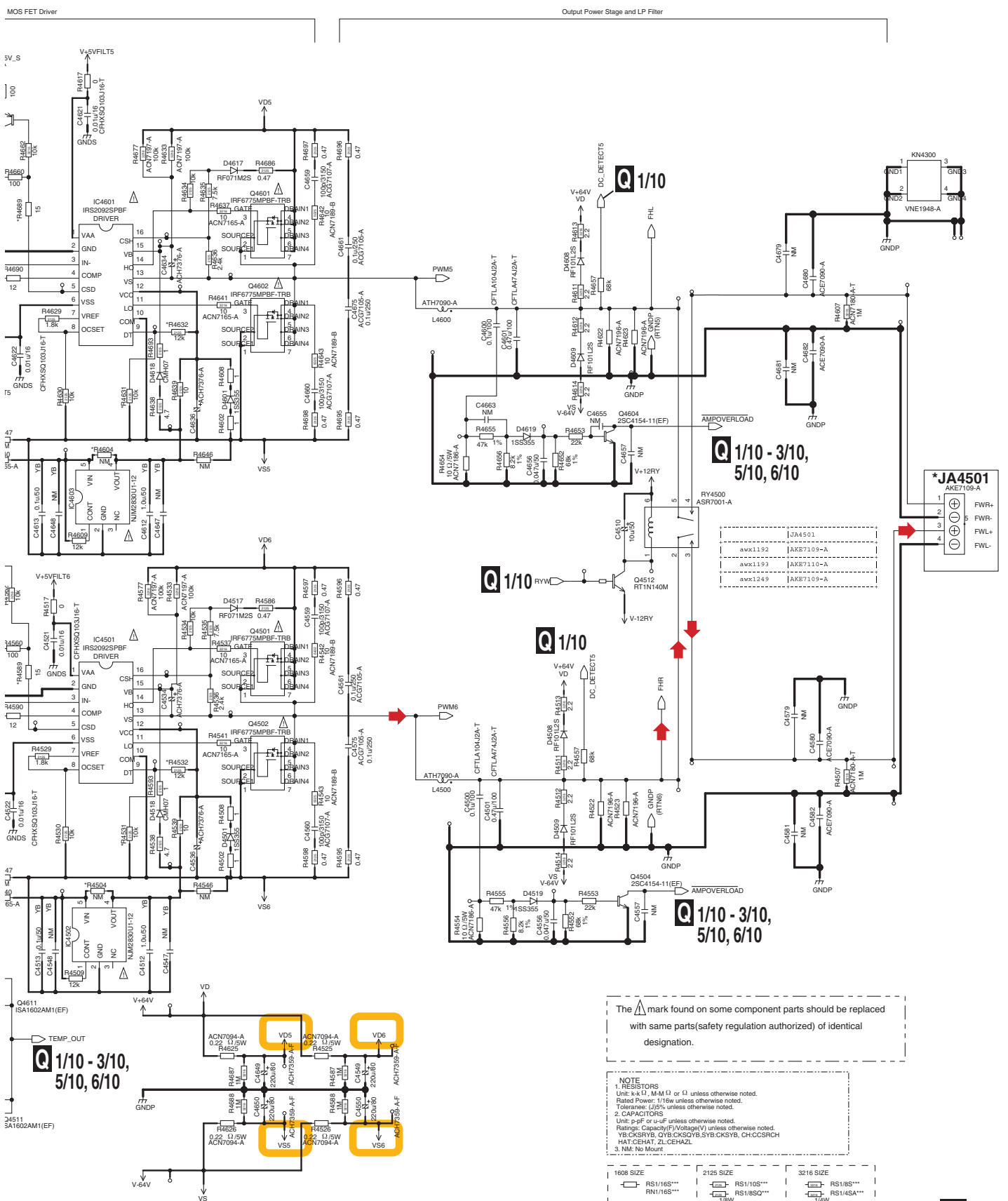
F



**Q4/10**

1 2 3 4

# Q4/10 D-AMP S ASSY (4/10) (AWX1192)



➡ : Audio Signal Route

SC-63

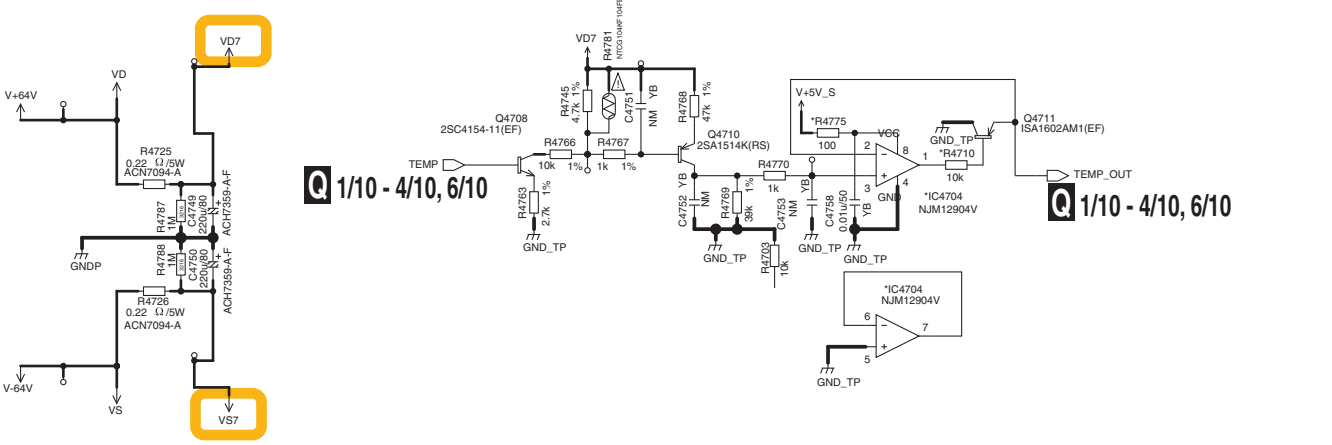
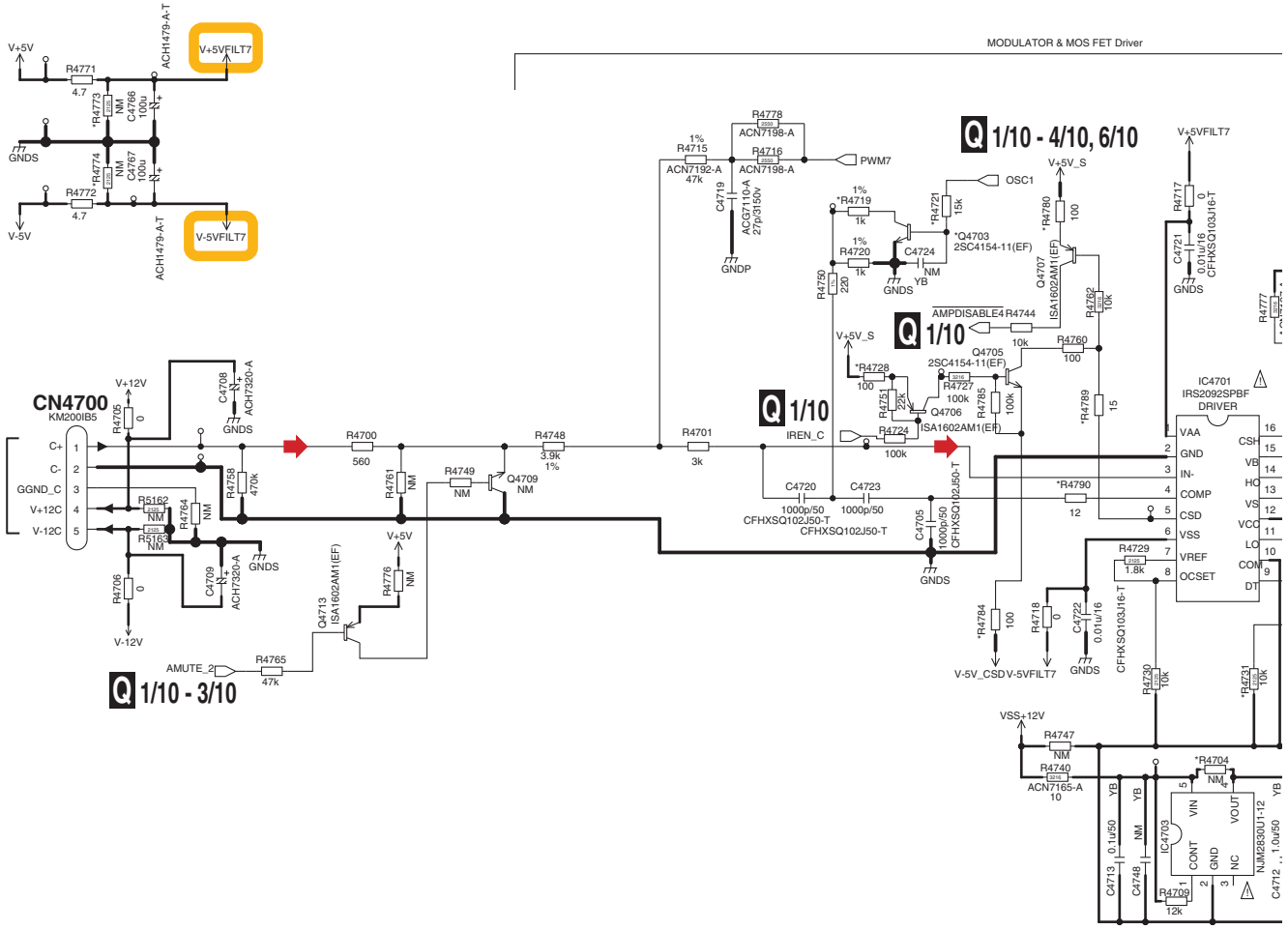
The  $\triangle$  mark found on some component parts should be replaced with same parts (safety regulation authorized) of identical designation.

- NOTE
- RESISTORS  
Unit: k-k  $\Omega$ , M-M  $\Omega$  or  $\Omega$  unless otherwise noted.  
Rated Power: 1/8W unless otherwise noted.  
Tolerance:  $\pm 5\%$  unless otherwise noted.
  - CAPACITORS  
Unit: p-pF or u-uF unless otherwise noted.  
Rated Voltage: 50V unless otherwise noted.  
YB:CKSV16, YVB:CKSV16, SYB:CKSV16, CH:CCSRCH  
HAT:CEHAT, ZL:CEHAZL
  - NM: No Mount

1608 SIZE	2125 SIZE	3216 SIZE
RS1/16S*** RN1/16S***	RS1/10S*** RS1/8SQ***	RS1/8S*** RS1/4SA***
CCSR*** CKSR***	CCSQ*** CKSQ***	CCS*** CKS***

# Q4/10

# 10.33 D-AMP\_S ASSY (5/10)



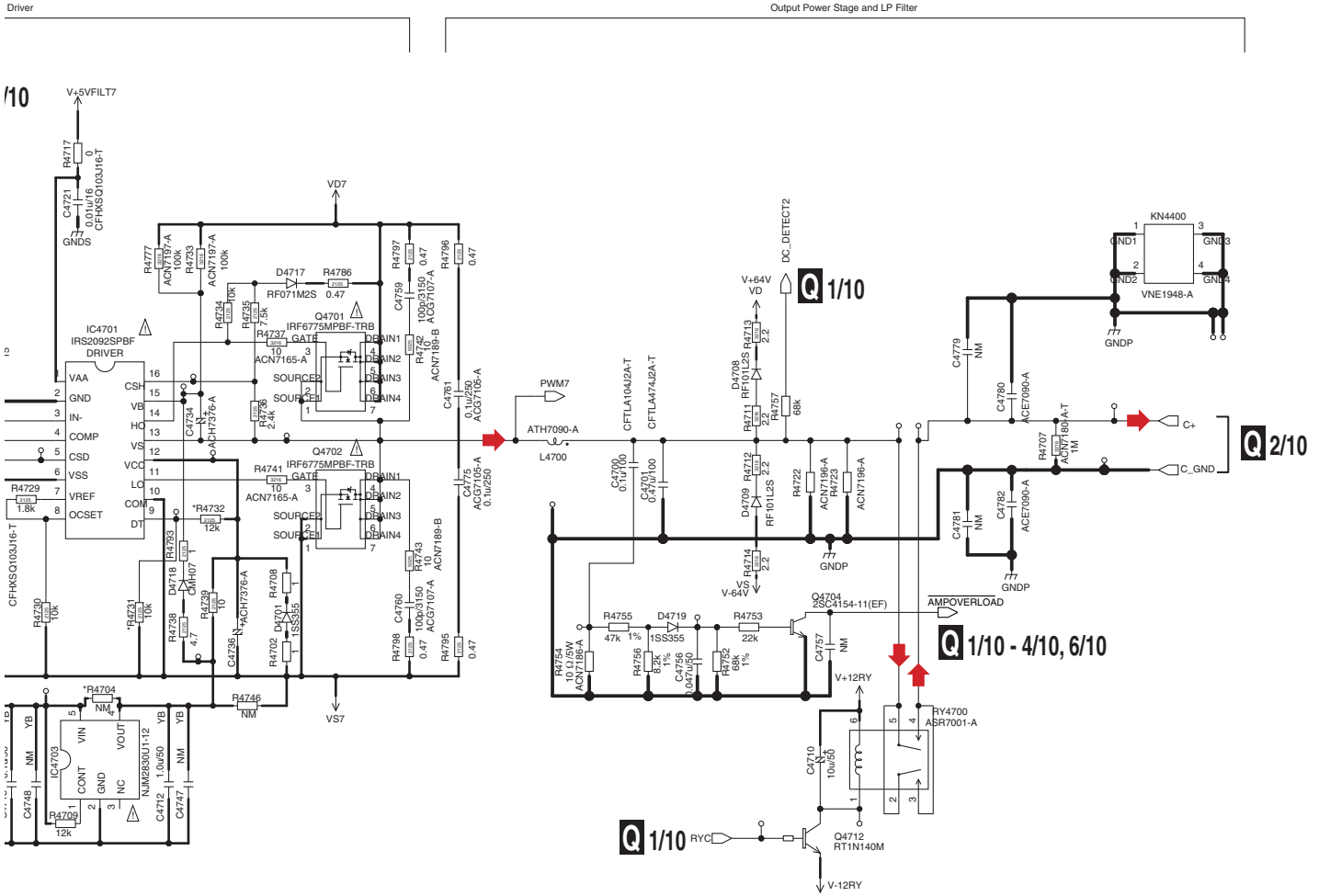
**P**  
CN3870

**Q** 5/10  
148

SC-63



# Q5/10 D-AMP\_S ASSY (5/10) (AWX1192)



/10, 6/10

➔ Audio Signal Route

The  $\Delta$  mark found on some component parts should be replaced with same parts (safety regulation authorized) of identical designation.

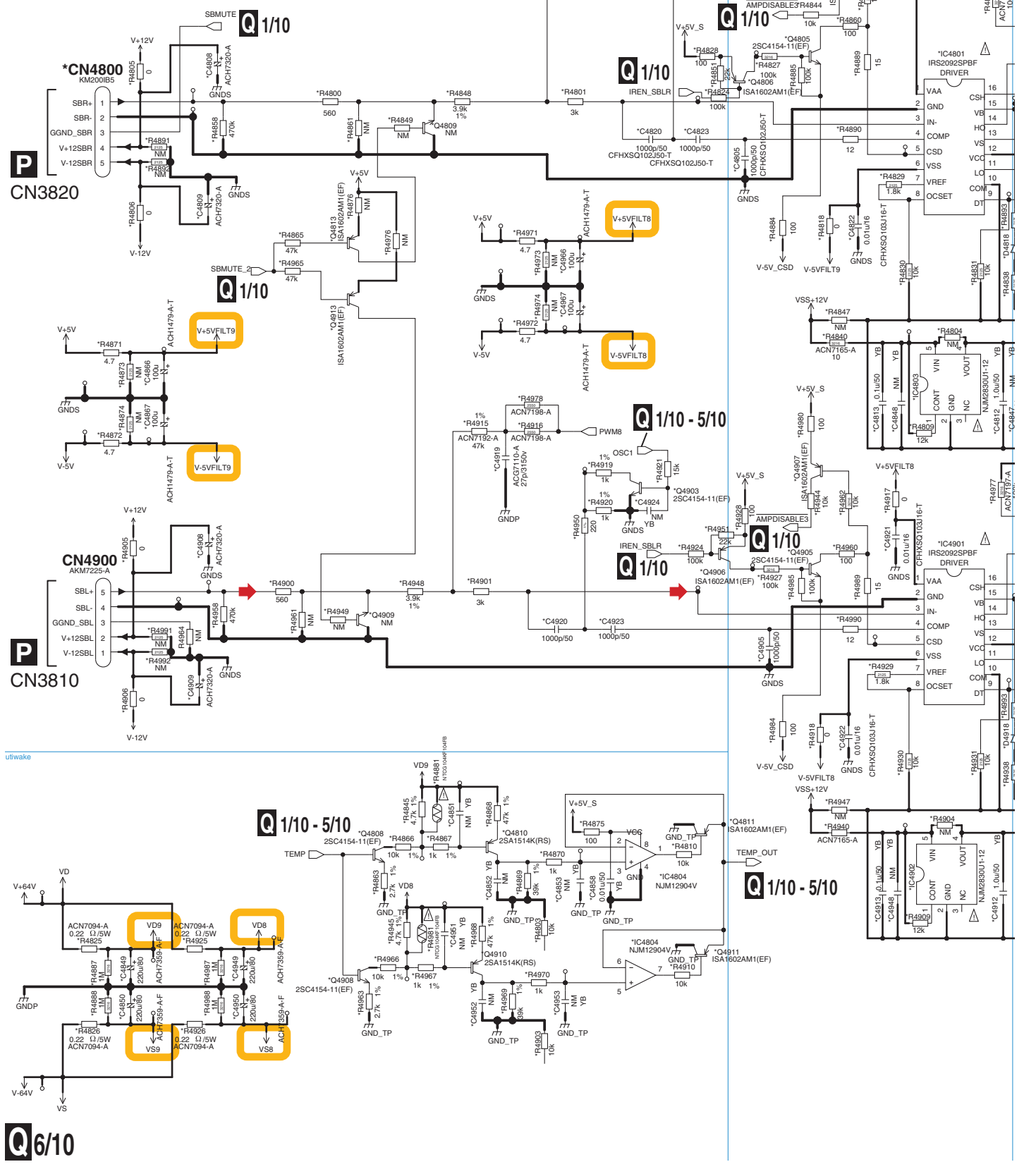
**NOTE**  
**1. RESISTORS**  
 Unit: k-k $\Omega$ , M-M $\Omega$  or  $\Omega$  unless otherwise noted.  
 Rated Power: 1/16W unless otherwise noted.  
 Tolerance:  $\pm$ 5% unless otherwise noted.  
**2. CAPACITORS**  
 Unit: p-pF or u-uF unless otherwise noted.  
 Ratings: Capacity (F)/(Voltage/V) unless otherwise noted.  
 YB:CKSR/B, QYB:CKSQ/B, SYB:CKSYB, CH:CCSR/CH  
 HAT:CEHAT, ZL:CEHAZL  
 3. NM: No Mount

1608 SIZE	2125 SIZE	3216 SIZE
RS1/16S*** RN1/16S***	RS1/10S*** RS1/8SQ***	RS1/8S*** RS1/4SA***
CCSR*** CKSR***	CCSQ*** CKSQ***	CCS*** CKS***

# 10.34 D-AMP\_S ASSY (6/10)

This page AWX1210 only  
 AWX1211  
 AWX1212  
 AWX1213

A  
 B  
 C  
 D  
 E  
 F



Q 6/10

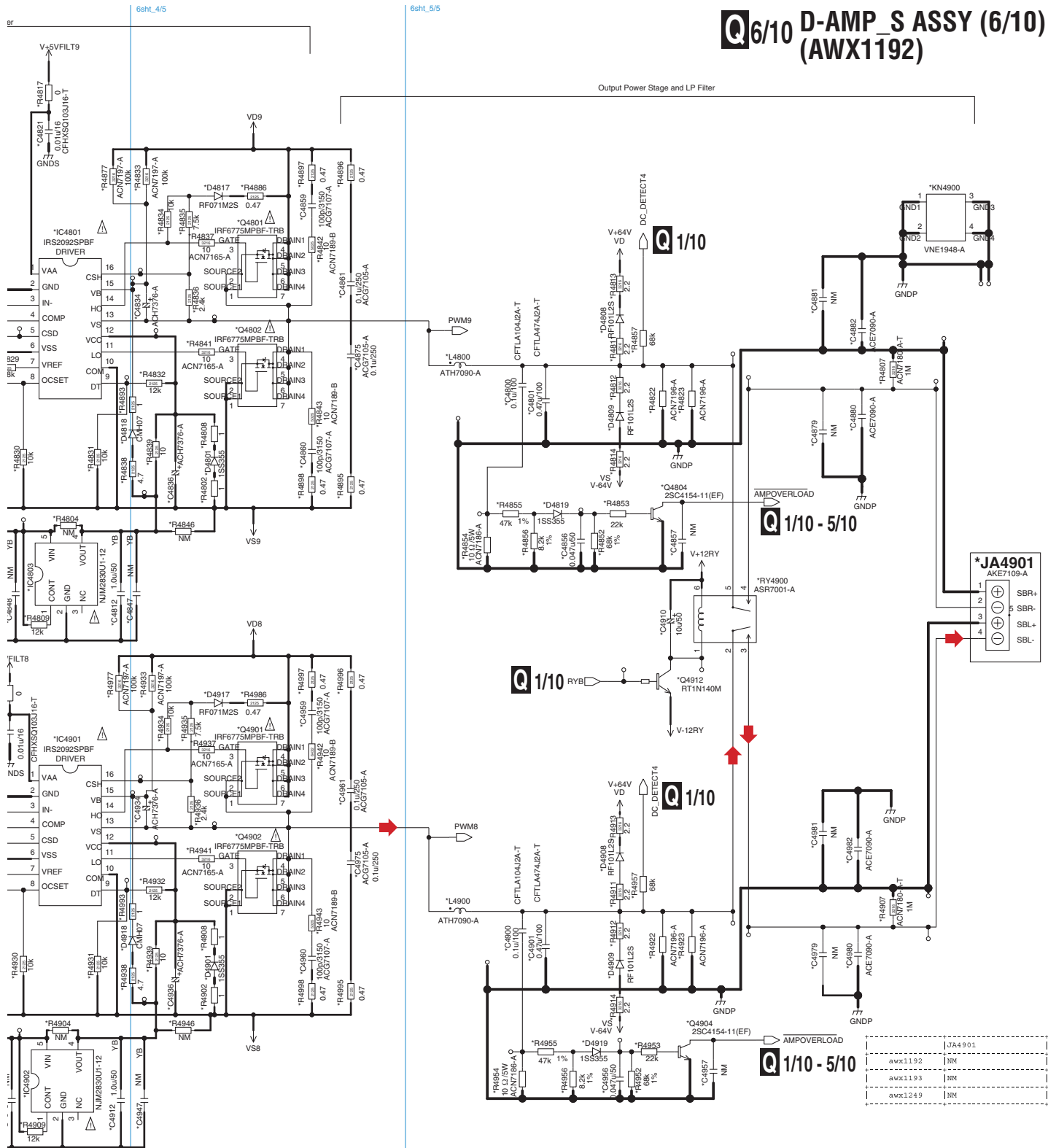
1

2

3

4

# Q6/10 D-AMP\_S ASSY (6/10) (AWX1192)



➔ : Audio Signal Route

The  $\Delta$  mark found on some component parts should be replaced with same parts (safety regulation authorized) of identical designation.

- NOTE**
- RESISTORS**  
Unit: k-k  $\Omega$ , M-M  $\Omega$  or  $\Omega$  unless otherwise noted.  
Rated Power: 1/16w unless otherwise noted.  
Tolerance: J:5% unless otherwise noted.
  - CAPACITORS**  
Unit: p-pF or u-uF unless otherwise noted.  
Ratings: Capacity(F)/Voltage(V) unless otherwise noted.  
YB:CKSR16 CFB:CKSR16YB,SYB:CKSYB,CH:CCSRCH HAT:CEHAT,ZL:CEHAZL
  - NM: No Mount.

1608 SIZE	2125 SIZE	3216 SIZE
RS1/16S*** RN1/16S***	RS1/10S*** RS1/8SQ***	RS1/8S*** RS1/4SA***
CCSR*** CKSR***	CCSQ*** CKSQ***	CCS*** CKS***

*JA4901	
AKE7109-A	
1	SBR+
2	SBR-
3	SBL+
4	SBL-
awx1192 NM	
awx1193 NM	
awx1249 NM	

10.35 D-AMP\_S ASSY (7/10)

1sht	awx1192	awx1193	awx1249
IC4017	NM	NM	NM
IC4018	220p/50	NM	NM
IC4019	NM	NM	NM
IC4053	NM	NM	NM
IC4055	NM	NM	NM
IC4084	NM	JACE7082-A	JACE7082-A
IC4088	220p/50	NM	NM
IC4091	NM	NM	NM
IC4092	330p/50	NM	NM
IC4093	330p/50	NM	NM
IC4094	330p/50	NM	NM
IR4001	100	100	100
IR4003	NM	NM	NM
IR4004	100	100	100
IR4013	100	120	120
IR4014	100	120	120
IR4015	100	120	120
IR4016	100	120	120
IR4031	NM	NM	NM
IR4036	100	100	NM
IR4037	100	100	NM
IR4038	10k	10k	NM
IR4039	22k	22k	NM
IR4041	220k	220k	NM
IR4047	100	100	100
IR4053	NM	NM	NM
IR4063	NM	NM	NM
IR4069	0	10	10
IR4071	100k	NM	NM
IR4072	100k	220k	220k
IR4073	22k	27k	27k
IR4074	NM	NM	NM
IR4075	NM	NM	NM
IR4076	NM	NM	NM
IR4077	0	10	10
IR4079	NM	NM	NM
IR4081	NM	NM	0
IR4084	100	120	120
IR4085	100	120	120
IR4086	100	120	120
IR4087	100	120	120
IR4088	12k	15k	15k
IR4095	0	1.5k	1.5k
IR4097	10	100	100
IR4098	NM	NM	NM
IR5006	NM	100k	100k
IR5033	10	12	12
IR5036	NM	NM	NM
IR5047	100	100	100
IR5048	0	0	0
IR5049	0	0	0
IR5050	0	0	0
IR5051	NM	NM	NM
IR5052	47k	47k	47k
IR5053	47k	47k	47k
IR5056	100	100	100
IR5057	100	100	100
IR5061	100	100	100
IR5067	NM	NM	NM
IR5069	NM	NM	NM
IR5077	NM	NM	NM
IR5078	100k	120k	120k
IR5079	100k	NM	NM
IR5080	22k	27k	27k
IR5081	100k	220k	220k
IR5082	NM	NM	NM
IR5191	NM	NM	NM
IR5192	NM	NM	NM
IR5193	NM	NM	NM
IR5194	NM	NM	NM
IR5195	0	NM	NM
IR5196	NM	0	NM
IR5197	NM	NM	0
IR5198	NM	NM	NM
IC4905	NM	NM	NM
SUBASSY	AWX1192- /J	AWX1193- /J	AWX1249- /J
ID4016	NM	NM	NM
Q4000	RT1N241M	RT1N241M	NM
Q4001	18A1602AM1 (BF)	18A1602AM1 (BF)	NM
Q4002	DTCL1350A	DTCL1350A	DTCL1350A
Q4003	NM	NM	NM
Q4010	NM	NM	NM
Q4011	NM	NM	NM
Q4013	NM	NM	NM
Q4028	NM	NM	NM
IC4036	RT1N241M	DTCL1350A	DTCL1350A



# Q7/10 D-AMP\_S ASSY (7/10) (AWX1192)

A

2eht

	awx1192	awx1193	awx1249
R4104	47k	NM	NM
R4110	10k	9.1k	9.1k
R4119	1k	1k	NM
R4121	15k	15k	NM
R4128	100	110	110
R4131	10k	7.5k	7.5k
R4132	12k	8.2k	8.2k
R4173	NM	1M	1M
R4174	NM	1.8k	1.8k
R4180	100	110	110
R4184	100	110	110
R4189	10	15	15
R4190	10	12	12
R4204	47k	NM	NM
R4210	10k	9.1k	9.1k
R4219	1k	1k	NM
R4221	15k	15k	NM
R4228	100	110	110
R4231	10k	7.5k	7.5k
R4232	12k	8.2k	8.2k
R4273	NM	1M	1M
R4274	NM	1.8k	1.8k
R4275	100	120	120
R4280	100	110	110
R4284	100	110	110
R4289	10	15	15
R4290	10	12	12
IC4204	NM12904V	NM2732V	NM2732V
JA4101	AKB7107-A	AKB7108-A	AKB7107-A
Q4103	2SC4154-11(BF)	2SC4154-11(BF)	NM
Q4203	2SC4154-11(BF)	2SC4154-11(BF)	NM

B

C

3eht

	awx1192	awx1193	awx1249
R4304	47k	NM	NM
R4310	10k	9.1k	9.1k
R4319	1k	1k	NM
R4321	15k	15k	NM
R4328	100	110	110
R4331	10k	7.5k	7.5k
R4332	12k	8.2k	8.2k
R4373	NM	1M	1M
R4374	NM	1.8k	1.8k
R4380	100	110	110
R4384	100	110	110
R4389	10	15	15
R4390	10	12	12
R4404	47k	NM	NM
R4410	10k	9.1k	9.1k
R4419	1k	1k	NM
R4421	15k	15k	NM
R4428	100	110	110
R4431	10k	7.5k	7.5k
R4432	12k	8.2k	8.2k
R4473	NM	1M	1M
R4474	NM	1.8k	1.8k
R4475	100	120	120
R4480	100	110	110
R4484	100	110	110
R4489	10	15	15
R4490	10	12	12
IC4404	NM12904V	NM2732V	NM2732V
JA4301	AKB7109-A	AKB7110-A	AKB7109-A
Q4303	2SC4154-11(BF)	2SC4154-11(BF)	NM
Q4403	2SC4154-11(BF)	2SC4154-11(BF)	NM

D

E

F

# 10.36 D-AMP\_S ASSY (8/10)

A

4sht

	awx1192	awx1193	awx1249
R4504	47k	NM	NM
R4510	10k	9.1k	9.1k
R4519	1k	1k	NM
R4521	15k	15k	NM
R4528	100	110	110
R4531	10k	7.5k	7.5k
R4532	12k	8.2k	8.2k
R4573	NM	1M	1M
R4574	NM	1.8k	1.8k
R4580	100	110	110
R4584	100	110	110
R4589	10	15	15
R4590	10	12	12
R4604	47k	NM	NM
R4610	10k	9.1k	9.1k
R4619	1k	1k	NM
R4621	15k	15k	NM
R4628	100	110	110
R4631	10k	7.5k	7.5k
R4632	12k	8.2k	8.2k
R4673	NM	1M	1M
R4674	NM	1.8k	1.8k
R4675	100	120	120
R4680	100	110	110
R4684	100	110	110
R4689	10	15	15
R4690	10	12	12
1C4604	NJM12904V	NJM2732V	NJM2732V
JA4501	AKE7109-A	AKE7110-A	AKE7109-A
JA5101	AKE7109-A	AKE7110-A	AKE7109-A
Q4503	2SC4154-11 (EF)	2SC4154-11 (EF)	NM
Q4603	2SC4154-11 (EF)	2SC4154-11 (EF)	NM

B

C

D

5sht

	awx1192	awx1193	awx1249
R4704	47k	NM	NM
R4710	10k	9.1k	9.1k
R4719	1k	1k	NM
R4721	15k	15k	NM
R4728	100	110	110
R4731	10k	7.5k	7.5k
R4732	12k	8.2k	8.2k
R4773	NM	1M	1M
R4774	NM	1.8k	1.8k
R4775	100	120	120
R4780	100	110	110
R4784	100	110	110
R4789	10	15	15
R4790	10	12	12
1C4704	NJM12904V	NJM2732V	NJM2732V
Q4703	2SC4154-11 (EF)	2SC4154-11 (EF)	NM

E

F

# Q8/10 D-AMP\_S ASSY (8/10) (AWX1192)

A

Seht\_1/5

	awx1192	awx1193	awx1249
[C4849	NM	NM	NM
[C4850	NM	NM	NM
[C4851	NM	NM	NM
[C4852	NM	NM	NM
[C4853	NM	NM	NM
[C4858	NM	NM	NM
[C4949	NM	NM	NM
[C4950	NM	NM	NM
[C4951	NM	NM	NM
[C4952	NM	NM	NM
[C4953	NM	NM	NM
[R4803	NM	NM	NM
[R4810	NM	NM	NM
[R4825	NM	NM	NM
[R4826	NM	NM	NM
[R4845	NM	NM	NM
[R4863	NM	NM	NM
[R4866	NM	NM	NM
[R4867	NM	NM	NM
[R4868	NM	NM	NM
[R4869	NM	NM	NM
[R4870	NM	NM	NM
[R4875	NM	NM	NM
[R4887	O	O	O
[R4888	O	O	O
[R4903	NM	NM	NM
[R4910	NM	NM	NM
[R4925	NM	NM	NM
[R4926	NM	NM	NM
[R4945	NM	NM	NM
[R4963	NM	NM	NM
[R4966	NM	NM	NM
[R4967	NM	NM	NM
[R4968	NM	NM	NM
[R4969	NM	NM	NM
[R4970	NM	NM	NM
[R4987	O	O	O
[R4988	O	O	O
[R4881	NM	NM	NM
[R4981	NM	NM	NM
[IC4804	NM	NM	NM
[Q4808	NM	NM	NM
[Q4810	NM	NM	NM
[Q4811	NM	NM	NM
[Q4908	NM	NM	NM
[Q4910	NM	NM	NM
[Q4911	NM	NM	NM

B

C

D

E

F



# 10.37 D-AMP\_S ASSY (9/10)

A

B

C

D

E

F

6ahc_2/5			
	awx1192	awx1193	awx1249
C4808	NM	NM	NM
C4809	NM	NM	NM
C4819	NM	NM	NM
C4820	NM	NM	NM
C4823	NM	NM	NM
C4866	NM	NM	NM
C4867	NM	NM	NM
C4908	NM	NM	NM
C4909	NM	NM	NM
C4919	NM	NM	NM
C4920	NM	NM	NM
C4923	NM	NM	NM
C4924	NM	NM	NM
C4966	NM	NM	NM
C4967	NM	NM	NM
R4800	NM	NM	NM
R4801	NM	NM	NM
R4805	NM	NM	NM
R4806	NM	NM	NM
R4815	NM	NM	NM
R4816	NM	NM	NM
R4819	NM	NM	NM
R4820	NM	NM	NM
R4828	NM	NM	NM
R4848	NM	NM	NM
R4849	NM	NM	NM
R4850	NM	NM	NM
R4851	NM	NM	NM
R4858	NM	NM	NM
R4861	NM	NM	NM
R4865	NM	NM	NM
R4871	NM	NM	NM
R4872	NM	NM	NM
R4873	NM	NM	NM
R4874	NM	NM	NM
R4876	NM	NM	NM
R4878	NM	NM	NM
R4891	NM	NM	NM
R4892	NM	NM	NM
R4900	NM	NM	NM
R4901	NM	NM	NM
R4905	NM	NM	NM
R4906	NM	NM	NM
R4915	NM	NM	NM
R4916	NM	NM	NM
R4919	NM	NM	NM
R4920	NM	NM	NM
R4921	NM	NM	NM
R4924	NM	NM	NM
R4948	NM	NM	NM
R4949	NM	NM	NM
R4950	NM	NM	NM
R4958	NM	NM	NM
R4961	NM	NM	NM
R4965	NM	NM	NM
R4971	NM	NM	NM
R4972	NM	NM	NM
R4973	NM	NM	NM
R4974	NM	NM	NM
R4976	NM	NM	NM
R4978	NM	NM	NM
R4991	NM	NM	NM
R4992	NM	NM	NM
CN4800	NM	NM	NM
Q4809	NM	NM	NM
Q4813	NM	NM	NM
Q4903	NM	NM	NM
Q4909	NM	NM	NM
Q4913	NM	NM	NM



# Q9/10 D-AMP\_S ASSY (9/10) (AWX1192)

A

6ah_3/5			
	awx1192	awx1193	awx1249
C4805	NM	NM	NM
C4812	NM	NM	NM
C4813	NM	NM	NM
C4821	NM	NM	NM
C4822	NM	NM	NM
C4848	NM	NM	NM
C4905	NM	NM	NM
C4912	NM	NM	NM
C4913	NM	NM	NM
C4921	NM	NM	NM
C4922	NM	NM	NM
C4948	NM	NM	NM
R4804	NM	NM	NM
R4809	NM	NM	NM
R4817	NM	NM	NM
R4818	NM	NM	NM
R4821	NM	NM	NM
R4827	NM	NM	NM
R4829	NM	NM	NM
R4830	NM	NM	NM
R4831	NM	NM	NM
R4840	NM	NM	NM
R4844	NM	NM	NM
R4847	NM	NM	NM
R4860	NM	NM	NM
R4862	NM	NM	NM
R4877	NM	NM	NM
R4880	NM	NM	NM
R4884	NM	NM	NM
R4885	NM	NM	NM
R4889	NM	NM	NM
R4890	NM	NM	NM
R4904	NM	NM	NM
R4909	NM	NM	NM
R4917	NM	NM	NM
R4918	NM	NM	NM
R4927	NM	NM	NM
R4928	NM	NM	NM
R4929	NM	NM	NM
R4930	NM	NM	NM
R4931	NM	NM	NM
R4940	NM	NM	NM
R4944	NM	NM	NM
R4947	NM	NM	NM
R4960	NM	NM	NM
R4962	NM	NM	NM
R4977	NM	NM	NM
R4980	NM	NM	NM
R4984	NM	NM	NM
R4985	NM	NM	NM
R4989	NM	NM	NM
R4990	NM	NM	NM
IC4801	NM	NM	NM
IC4803	NM	NM	NM
IC4901	NM	NM	NM
IC4902	NM	NM	NM
Q4805	NM	NM	NM
Q4806	NM	NM	NM
Q4807	NM	NM	NM
Q4905	NM	NM	NM
Q4907	NM	NM	NM

B

C

D

E

F

# 10.38 D-AMP\_S ASSY (10/10)

A

B

C

D

E

F

6eht_4/5			
	awk1192	awk1193	awk1249
C4834	NM	NM	NM
C4836	NM	NM	NM
C4847	NM	NM	NM
C4859	NM	NM	NM
C4860	NM	NM	NM
C4861	NM	NM	NM
C4875	NM	NM	NM
C4934	NM	NM	NM
C4936	NM	NM	NM
C4947	NM	NM	NM
C4959	NM	NM	NM
C4960	NM	NM	NM
C4961	NM	NM	NM
C4975	NM	NM	NM
R4802	NM	NM	NM
R4808	NM	NM	NM
R4832	NM	NM	NM
R4833	NM	NM	NM
R4834	NM	NM	NM
R4835	NM	NM	NM
R4836	NM	NM	NM
R4837	NM	NM	NM
R4839	NM	NM	NM
R4841	NM	NM	NM
R4842	NM	NM	NM
R4843	NM	NM	NM
R4846	NM	NM	NM
R4886	NM	NM	NM
R4895	NM	NM	NM
R4896	NM	NM	NM
R4897	NM	NM	NM
R4898	NM	NM	NM
R4902	NM	NM	NM
R4908	NM	NM	NM
R4932	NM	NM	NM
R4933	NM	NM	NM
R4934	NM	NM	NM
R4935	NM	NM	NM
R4936	NM	NM	NM
R4937	NM	NM	NM
R4939	NM	NM	NM
R4941	NM	NM	NM
R4942	NM	NM	NM
R4943	NM	NM	NM
R4946	NM	NM	NM
R4986	NM	NM	NM
R4995	NM	NM	NM
R4996	NM	NM	NM
R4997	NM	NM	NM
R4998	NM	NM	NM
D4801	NM	NM	NM
D4817	NM	NM	NM
D4901	NM	NM	NM
D4917	NM	NM	NM
Q4801	NM	NM	NM
Q4802	NM	NM	NM
Q4901	NM	NM	NM
Q4902	NM	NM	NM

# Q10/10 D-AMP\_S ASSY (10/10) (AWX1192)

A

B

C

D

E

F

gsht_5/5				
	awx1192	awx1193	awx1249	
C4800	NM	NM	NM	
C4801	NM	NM	NM	
C4856	NM	NM	NM	
C4857	NM	NM	NM	
C4879	NM	NM	NM	
C4880	NM	NM	NM	
C4881	NM	NM	NM	
C4882	NM	NM	NM	
C4900	NM	NM	NM	
C4901	NM	NM	NM	
C4910	NM	NM	NM	
C4956	NM	NM	NM	
C4957	NM	NM	NM	
C4979	NM	NM	NM	
C4980	NM	NM	NM	
C4981	NM	NM	NM	
C4982	NM	NM	NM	
R4807	O	O	O	
R4811	NM	NM	NM	
R4812	NM	NM	NM	
R4813	NM	NM	NM	
R4814	NM	NM	NM	
R4822	O	O	O	
R4823	NM	NM	NM	
R4852	NM	NM	NM	
R4853	NM	NM	NM	
R4854	NM	NM	NM	
R4855	NM	NM	NM	
R4856	NM	NM	NM	
R4857	NM	NM	NM	
R4907	O	O	O	
R4911	NM	NM	NM	
R4912	NM	NM	NM	
R4913	NM	NM	NM	
R4914	NM	NM	NM	
R4922	O	O	O	
R4923	NM	NM	NM	
R4952	NM	NM	NM	
R4953	NM	NM	NM	
R4954	NM	NM	NM	
R4955	NM	NM	NM	
R4956	NM	NM	NM	
R4957	NM	NM	NM	
L4800	NM	NM	NM	
L4900	NM	NM	NM	
D4808	NM	NM	NM	
D4809	NM	NM	NM	
D4819	NM	NM	NM	
D4908	NM	NM	NM	
D4909	NM	NM	NM	
D4919	NM	NM	NM	
JA4901	NM	NM	NM	
KN4900	NM	NM	NM	
Q4804	NM	NM	NM	
Q4904	NM	NM	NM	
Q4912	NM	NM	NM	
RY4900	NM	NM	NM	

# 10.39 PRIMARY ASSY

A  
B  
C  
D  
E  
F

AWX1225	ATF7046-A	
AWX1226	ATF7050-A	
AWX1248	ATF7046-A	

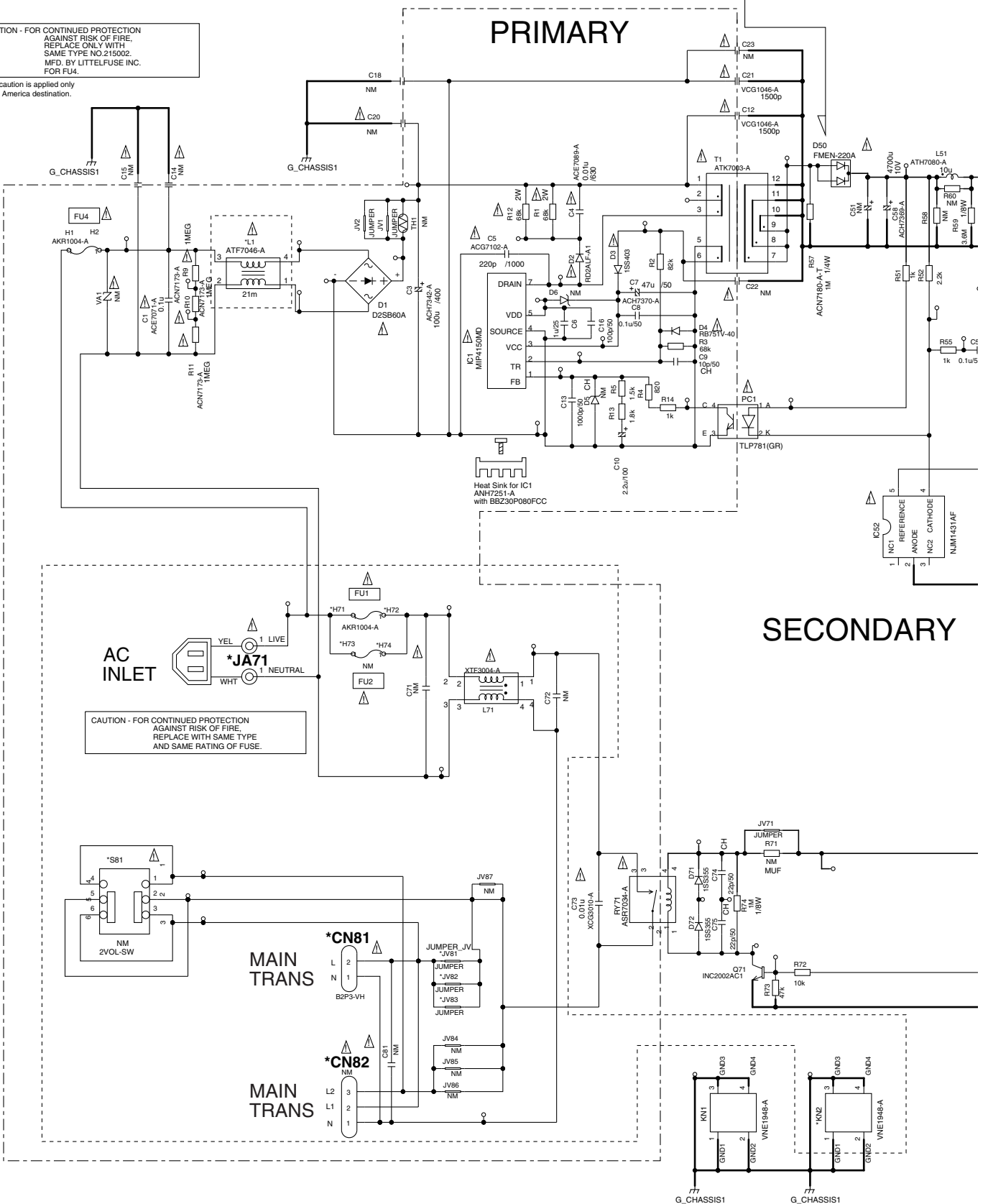
**CAUTION - FOR CONTINUED PROTECTION AGAINST RISK OF FIRE, REPLACE ONLY WITH SAME TYPE NO. 215002, MFD. BY LITTELFUSE INC. FOR FU4.**

This caution is applied only north America destination.

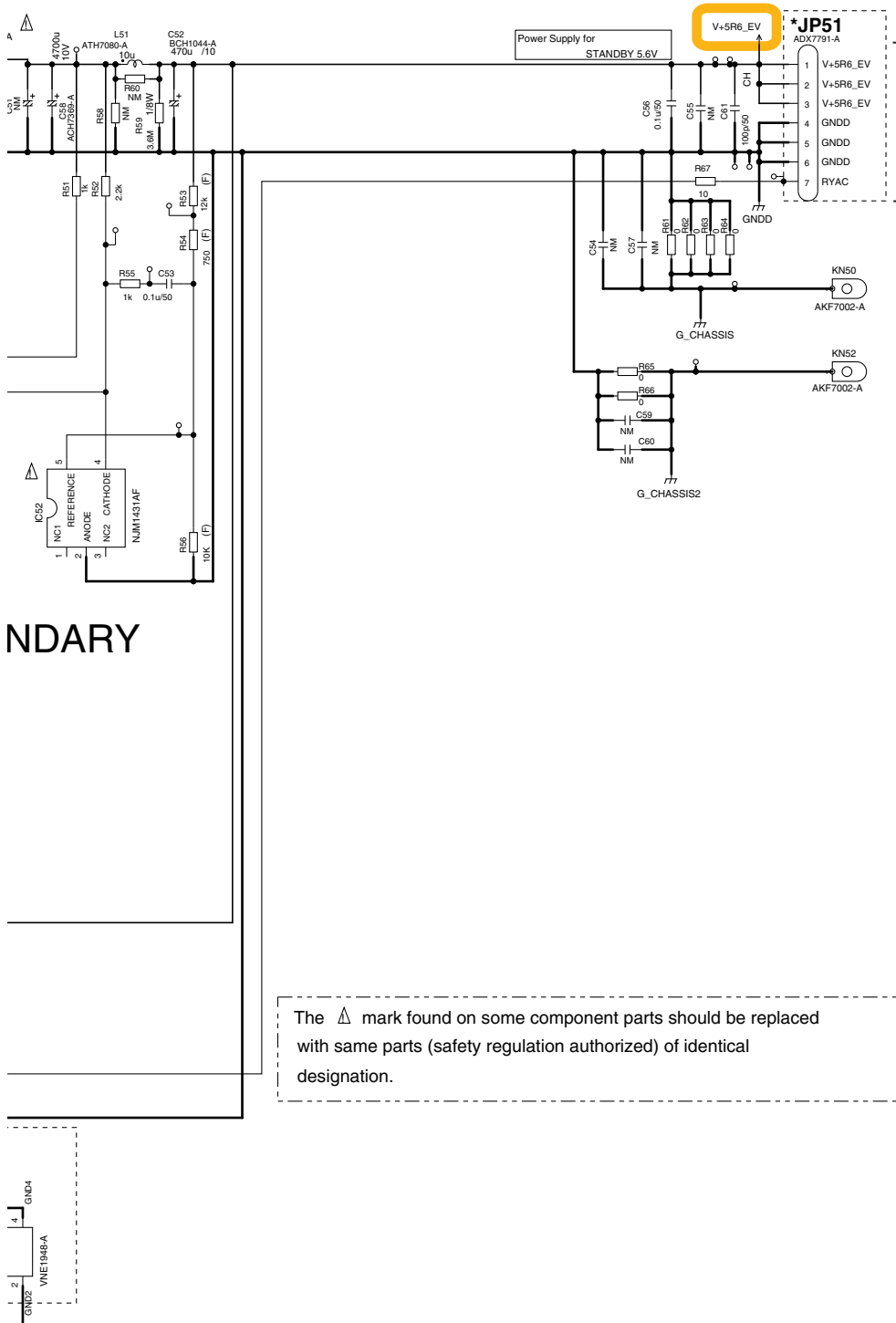
Heat Sink for D50  
ANH723-1-A  
with BB230P080FCC

## PRIMARY

## SECONDARY



# R PRIMARY ASSY (AWX1225)



10/10  
CN9501

	AWX1225	AWX1226	AWX1248
C10	2.2u/100	2.2u/100	2.2u/100
CN81	B2P3-VH Δ	NM	B2P3-VH Δ
CN82	NM	B2P3-VH Δ	NM
H71	AKR1004-A	AKR1004-A	AKR1004-A
H72	AKR1004-A	AKR1004-A	AKR1004-A
H73	NM	NM	NM
H74	NM	NM	NM
JA71	ADX7513-A Δ	ADX7513-A Δ	ADX7513-A Δ
JA71_1	ADX7513-A_1 Δ	ADX7513-A_1 Δ	ADX7513-A_1 Δ
JV81	JUMPER	JUMPER	JUMPER
JV82	JUMPER	JUMPER	JUMPER
JV83	JUMPER	JUMPER	JUMPER
KN2	VNE1948-A	VNE1948-A	VNE1948-A
S81	NM	NM	NM

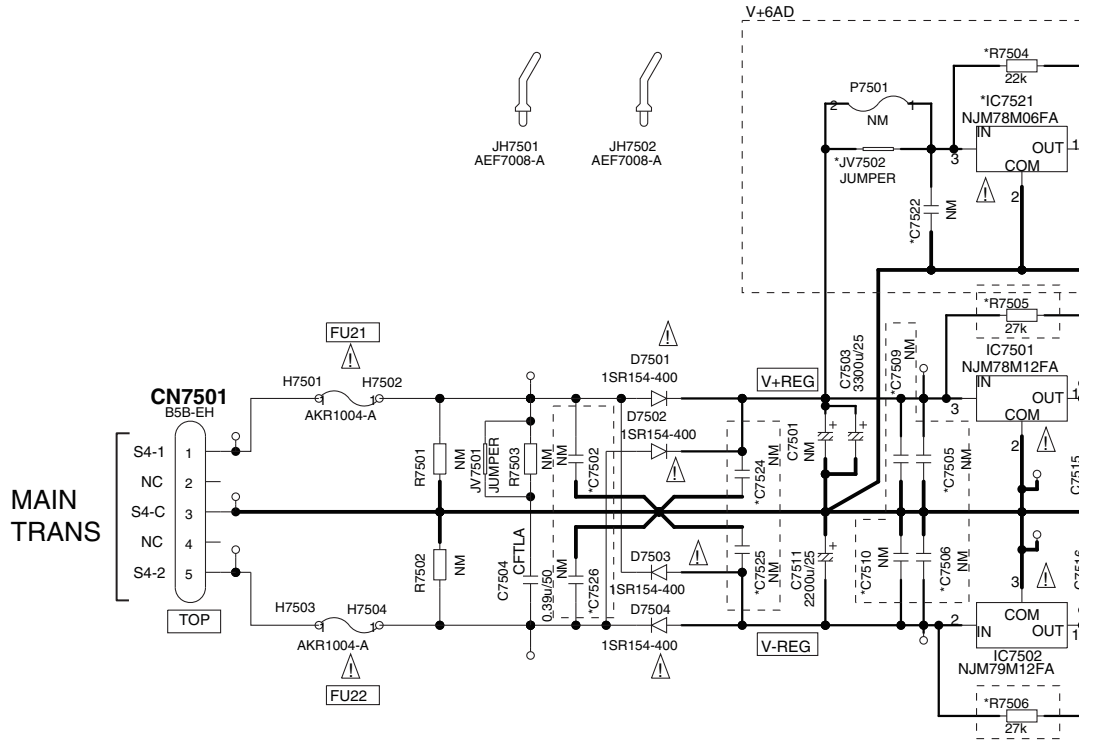
	JP51
AWX1225	ADX7792-A
AWX1226	ADX7792-A
AWX1248	ADX7792-A

**NOTE**  
 1. RESISTORS  
 Unit: k-Ω, M-Ω or Ω unless otherwise noted.  
 Rated Power: 1/10w unless otherwise noted.  
 Tolerance: J/J5% unless otherwise noted.  
 MUF: RD14MUF  
 2. CAPACITORS  
 Unit: p-pF or u-uF unless otherwise noted.  
 Ratings: Capacity(F)/Voltage(V) unless otherwise noted.  
 CH: CCSRCH, CFTLA: CFTLA  
 AK: CEAK  
 NO MARKED: CKSRBY or CEAT  
 3. NM: No Mount

The Δ mark found on some component parts should be replaced with same parts (safety regulation authorized) of identical designation.

NDARY

# 10.40 A-REG ASSY



The mark found on some component parts should be replaced with same parts (safety regulation authorized) of identical designation.

**CAUTION-**  
FOR CONTINUED PROTECTION AGAINST RISK OF FIRE,  
REPLACE WITH SAME TYPE AND RATINGS OF FUSE.

**NOTE**

1. RESISTORS  
Unit: k- $\Omega$ , M- $\Omega$  or  $\Omega$  unless otherwise noted.  
Rated power: 1/10W unless otherwise noted.  
Tolerance: (J)  $\pm 5\%$  unless otherwise noted.  
2125: RS1/RSQ  
MUF: RS1/4MUF

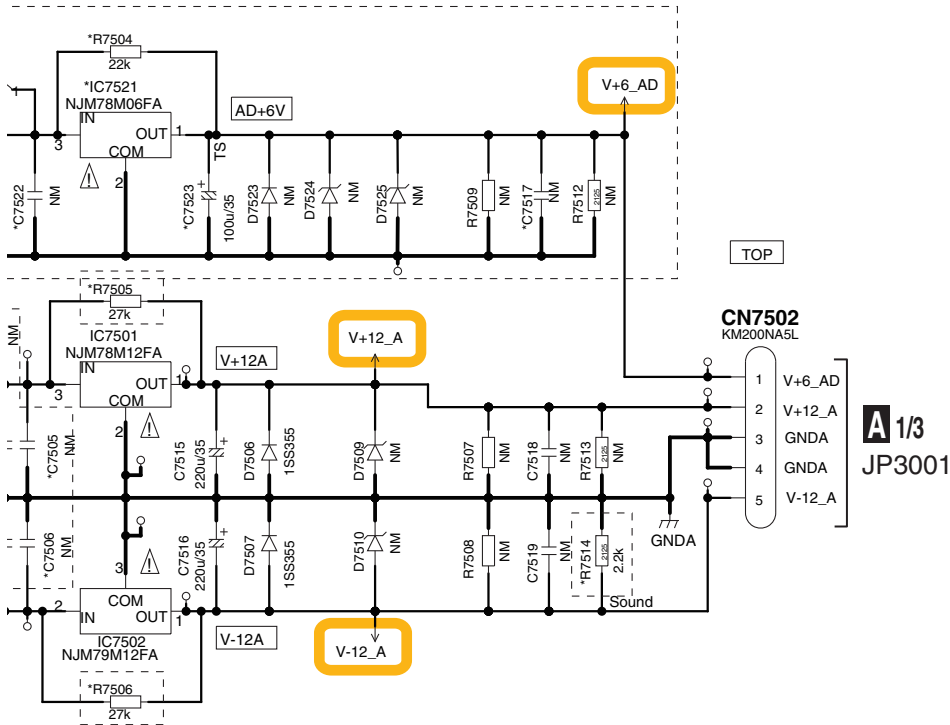
2. CAPACITORS  
Unit: p-pF, or  $\mu$  F unless otherwise noted.  
Ratings: Capacity(  $\mu$  F)/Voltage(V) unless otherwise noted.  
NP: CEANP  
CFTLA: CFTLA  
AK: CEAK  
NO MARKED: CEAT or CKSRYP

3. NM: NO MOUNT



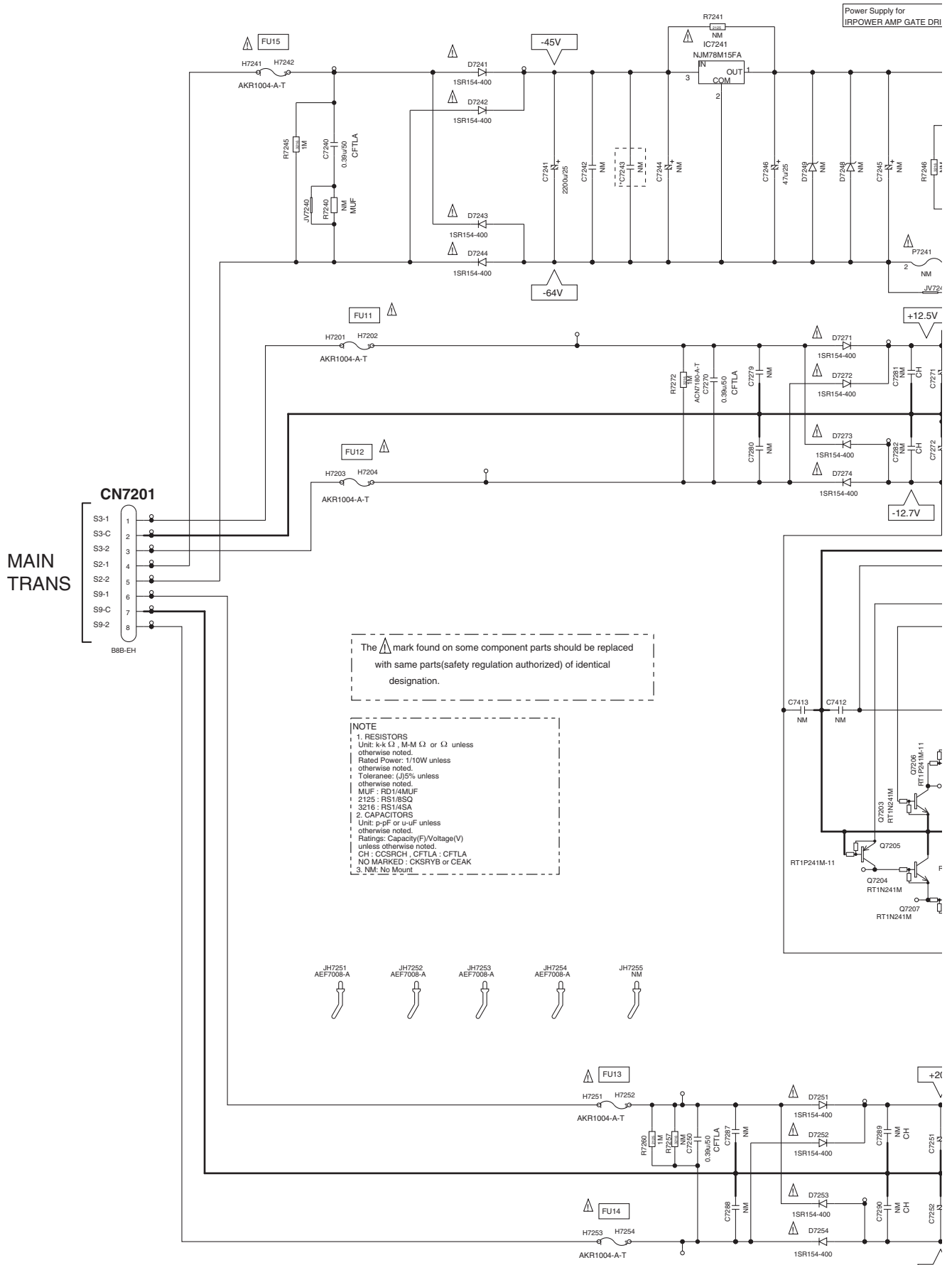
**S** A-REG ASSY (AWX1204)

A  
B  
C  
D  
E  
F



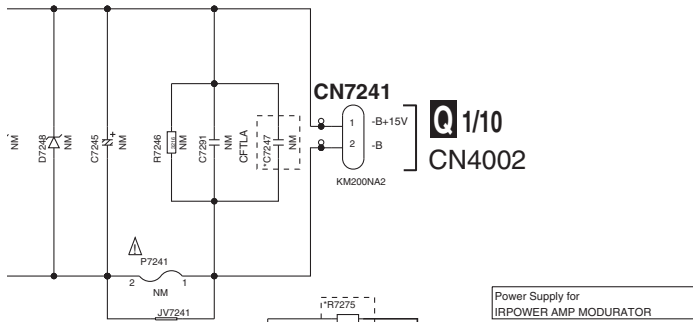
	Except SEL-L/J (AWX1204)	SEL-L/J (AWX1301)
R7504	NM	NM
R7505	33k	33k
R7506	33k	33k
R7514	NM	NM
C7502	0.047u/50	0.047u/50
C7505	0.01u/50	0.01u/50
C7506	0.01u/50	0.01u/50
C7509	0.1u/50	NM
C7510	0.1u/50	NM
C7517	NM	NM
C7522	NM	NM
C7523	NM	NM
C7524	0.047u/50	NM
C7525	0.047u/50	NM
C7526	0.047u/50	0.047u/50
IC7521	NM	NM
JV7502	NM	NM

# 10.41 IR REG ASSY (1/2)



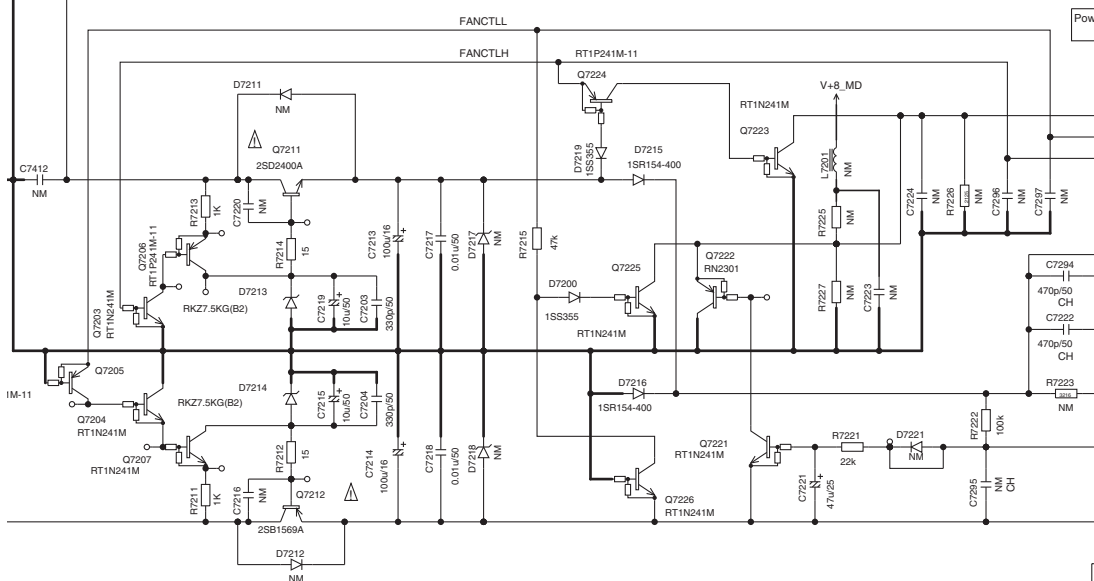
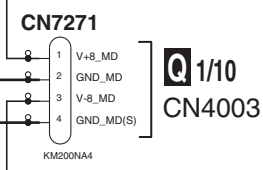
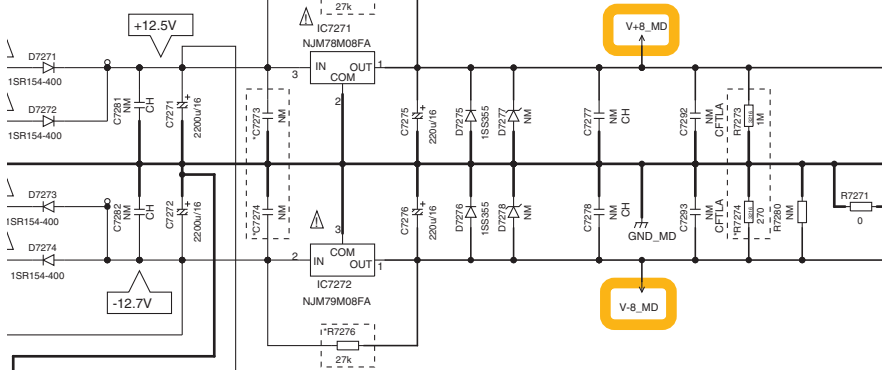
# T<sup>1/2</sup> IR REG ASSY (1/2) (AWX1158)

Power Supply for  
IRPOWER AMP GATE DRIVER



	AWX1158	AWX1284
C7243	0.01u/50	NM
C7247	47p/50	NM
C7253	0.01u/50	NM
C7254	0.01u/50	NM
C7273	0.01u/50	NM
C7274	0.01u/50	NM
R7274	27k	1M
R7275	33k	27k
R7276	33k	27k

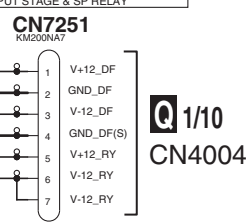
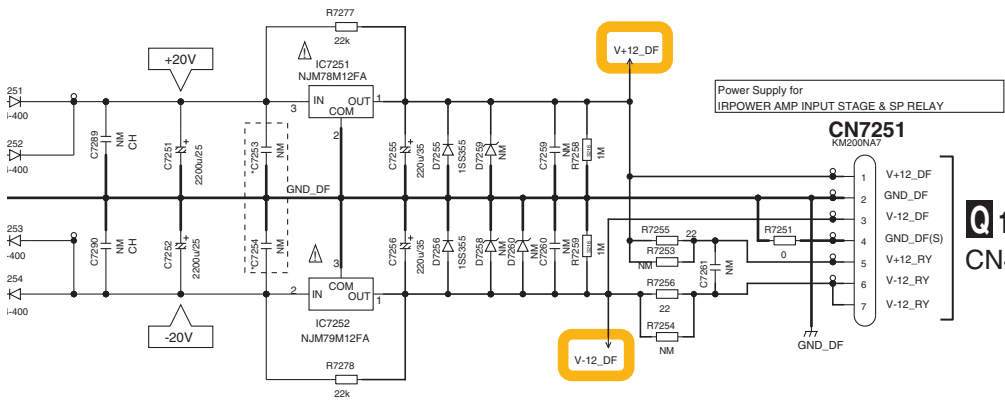
Power Supply for  
IRPOWER AMP MODURATOR



Power Supply for  
COOLING FAN

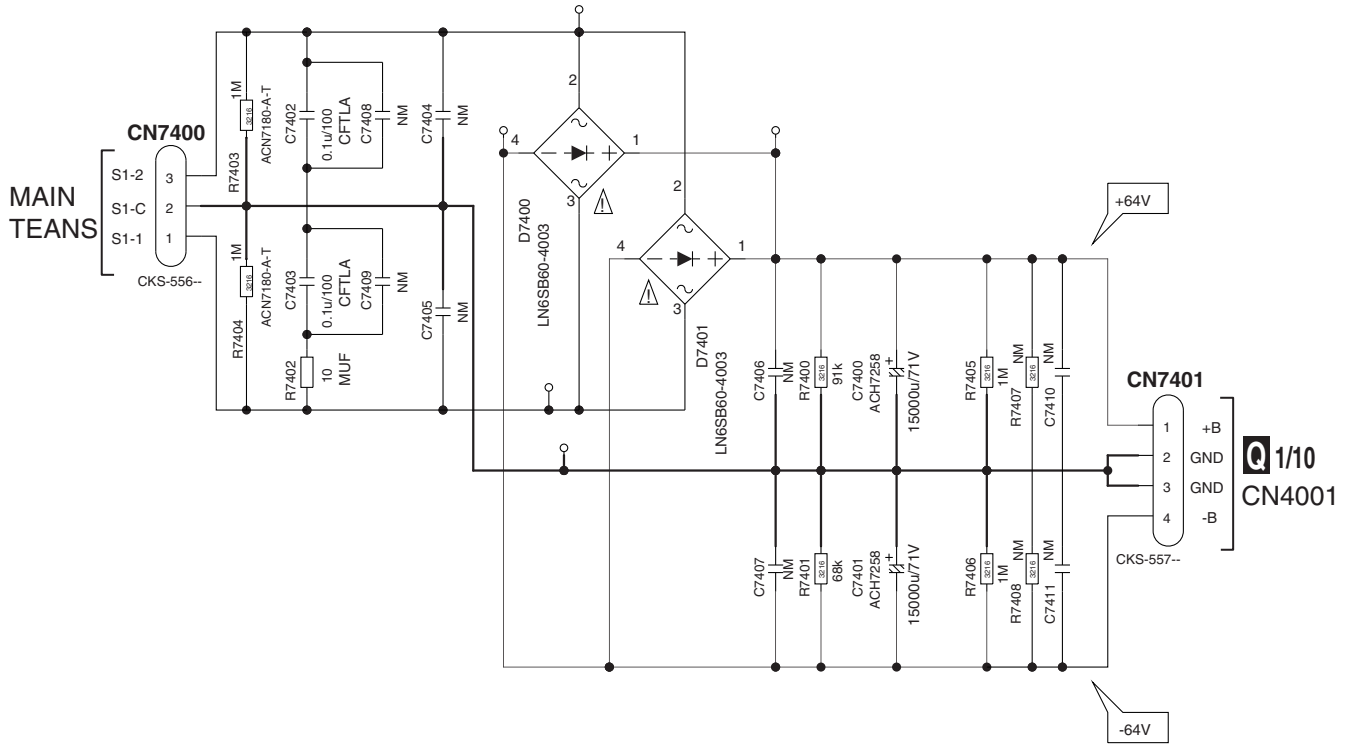



FAN	V+FAN	V-FAN
OFF	0V	0V
LOW	-0.7V	-6.5V
HIGH	+6.5V	-6.5V



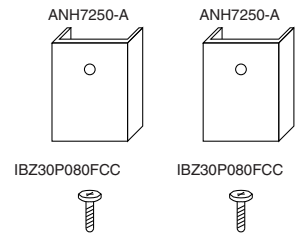
# 10.42 IR REG ASSY (2/2)

## T2/2 IR REG ASSY (2/2) (AWX1158)



The  mark found on some component parts should be replaced with same parts(safety regulation authorized) of identical designation.

**NOTE**  
 1. RESISTORS  
 Unit: k-kΩ, M-MΩ or Ω unless otherwise noted.  
 Rated Power: 1/10w unless otherwise noted.  
 Tolerance: (J)5% unless otherwise noted.  
 MUF: RD1/4MUF  
 3216: RS1/4SA unless otherwise noted.  
 2. CAPACITORS  
 Unit: p-pF or u-uF unless otherwise noted.  
 Ratings: Capacity(F)/Voltage(V) unless otherwise noted.  
 CFTLA: CFTLA  
 3. NM: No Mount



# 10.43 V-REG ASSY (1/3)

## U<sub>1/3</sub> V-REG ASSY (1/3) (SC-63/SC-61 : AWX1163) (SC-1227-K/SC-1222-K : AWX1260)

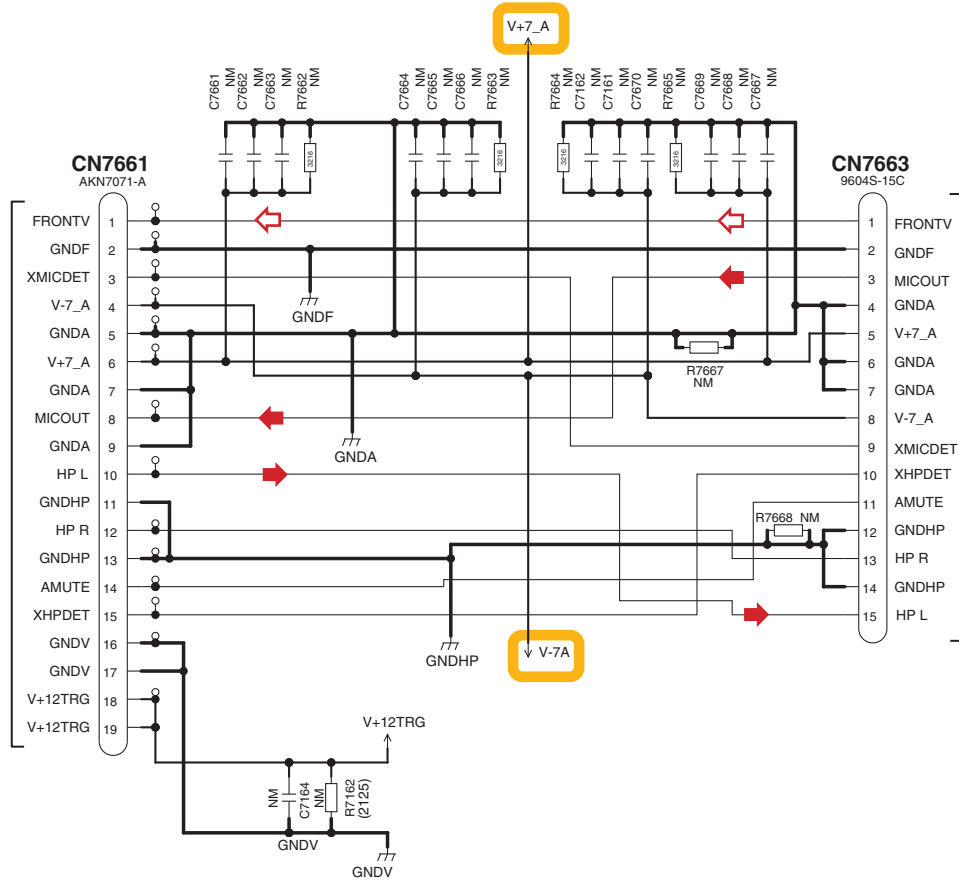
JH7901  
AEF7008-A



JH7903  
AEF7008-A



JH7904  
AEF7008-A



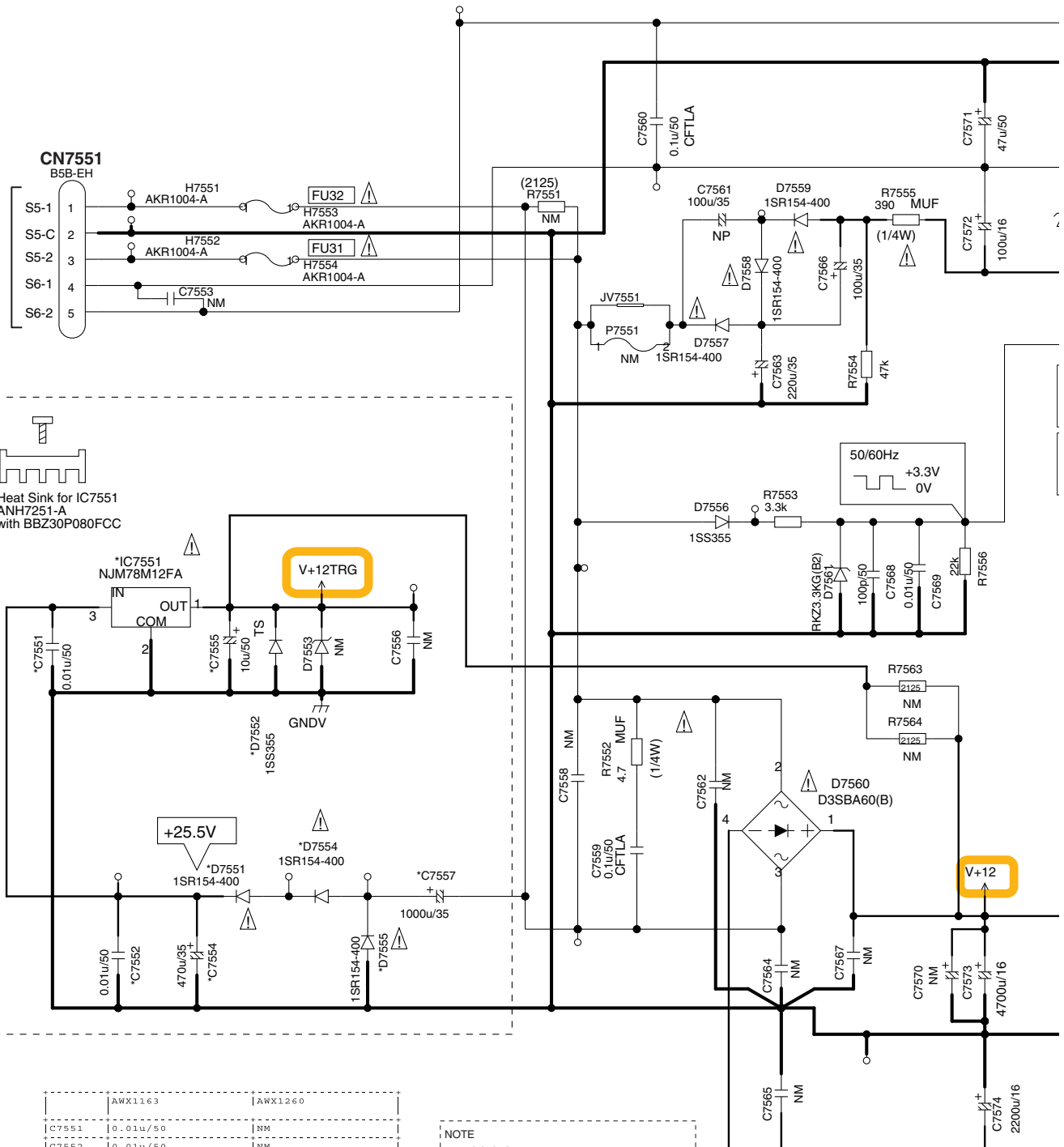
F CN7011

I CN3472

◀: Video Signal Route  
▶: Audio Signal Route

NOTE  
1. RESISTORS  
Unit: k-kΩ, M-M Ω or Ω unless otherwise noted.  
Rated Power: 1/16w unless otherwise noted.  
Tolerance: (J)5% unless otherwise noted.  
2. CAPACITORS  
Unit: p-pF or u-uF unless otherwise noted.  
Ratings: Capacity(F)/Voltage(V) unless otherwise noted.  
3. NM: No Mount

# 10.44 V-REG ASSY (2/3)



	AWX1163	AWX1260
C7551	0.01u/50	NM
C7552	0.01u/50	NM
C7554	100u/35	NM
C7555	10u/50	NM
C7557	1000u/35	NM
IC7551	NUM78M12FA	NM
D7551	1SR154-400	NM
D7552	1SS355	NM
D7554	1SR154-400	NM
D7555	1SR154-400	NM
	ANH7251-A	NM
	BBZ30P080FCC	NM

**NOTE**

1.RESISTORS  
 Unit: k-k Ω, M-M Ω or Ω unless otherwise noted.  
 Rated power: 1/10W unless otherwise noted.  
 Tolerance: (J) ±5% unless otherwise noted.  
 2125: RS1/8SO  
 MUF: RS1/4MUF

2.CAPACITORS  
 Unit: p-pF, or μ F unless otherwise noted.  
 Ratings: Capacity(μ F)/Voltage(V) unless otherwise noted.  
 NP: CEANP  
 CFTLA: CFTLA  
 JK: CEAK  
 NO MARKED: CEAT or CKSRYB

3. NM: NO MOUNT

TOP  
 MAIN TRANS

12VTRG

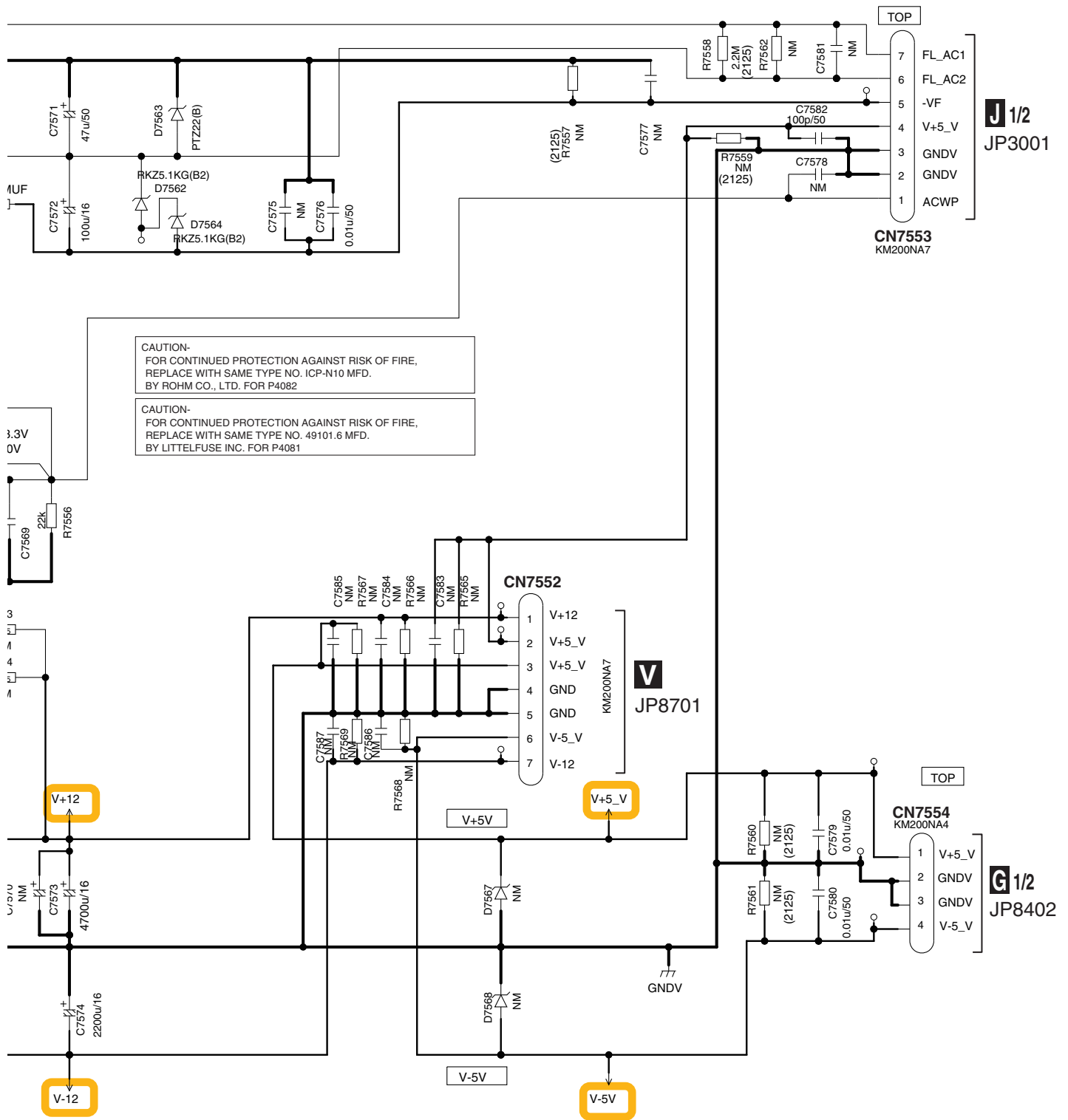
Heat Sink for IC7551  
 ANH7251-A  
 with BBZ30P080FCC

50/60Hz  
 +3.3V  
 0V

V+12

V-12

**U<sup>2/3</sup> V-REG ASSY (2/3)**  
 (SC-63/SC-61 : AWX1163)  
 (SC-1227-K/SC-1222-K : AWX1260)



The  $\Delta$  mark found on some component parts should be replaced with same parts (safety regulation authorized) of identical designation.

**CAUTION-**  
 FOR CONTINUED PROTECTION AGAINST RISK OF FIRE,  
 REPLACE WITH SAME TYPE AND RATINGS OF FUSE.



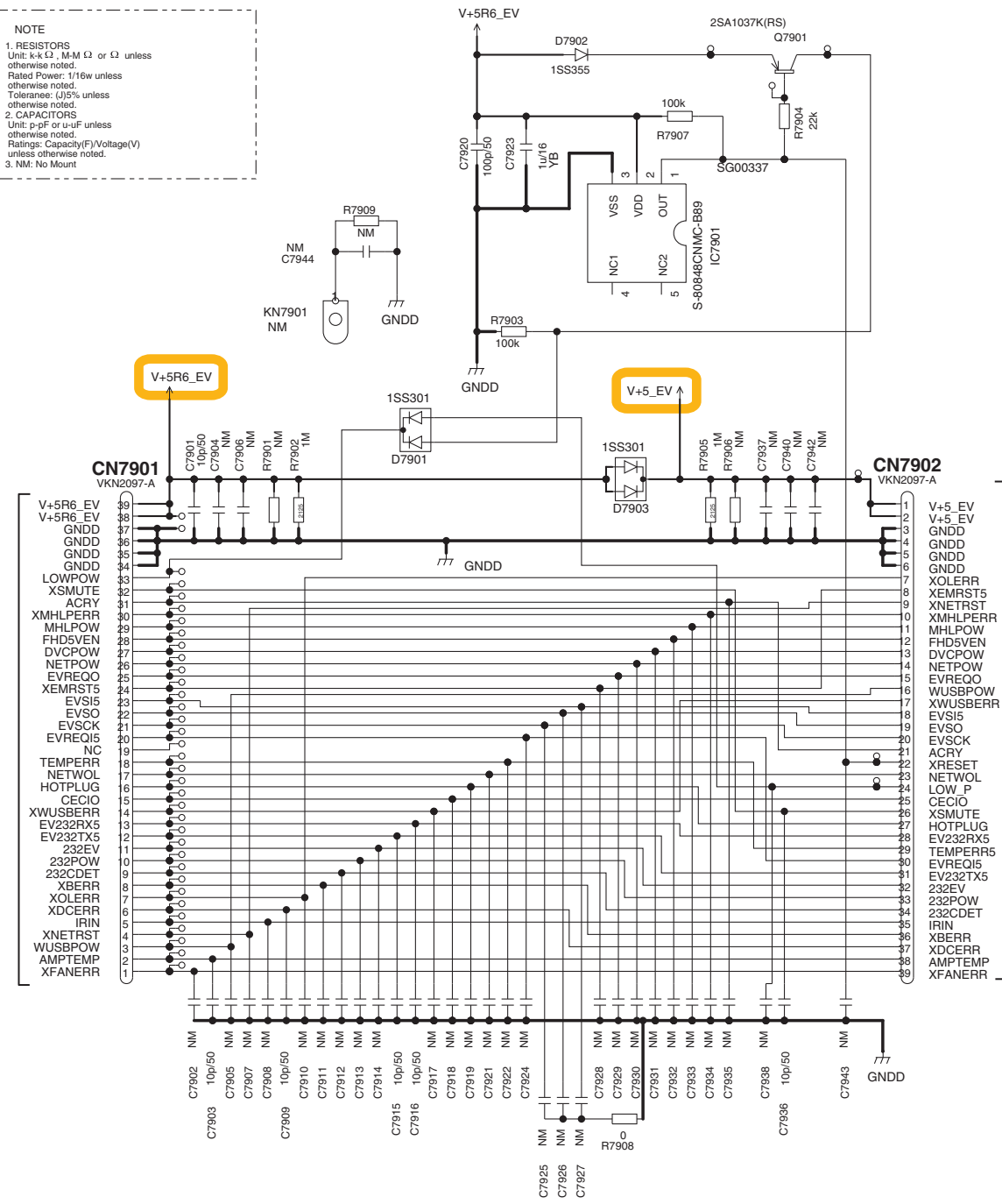
# 10.45 V-REG ASSY (3/3)

## U<sub>3/3</sub> V-REG ASSY (3/3) (SC-63/SC-61 : AWX1163) (SC-1227-K/SC-1222-K : AWX1260)

**NOTE**

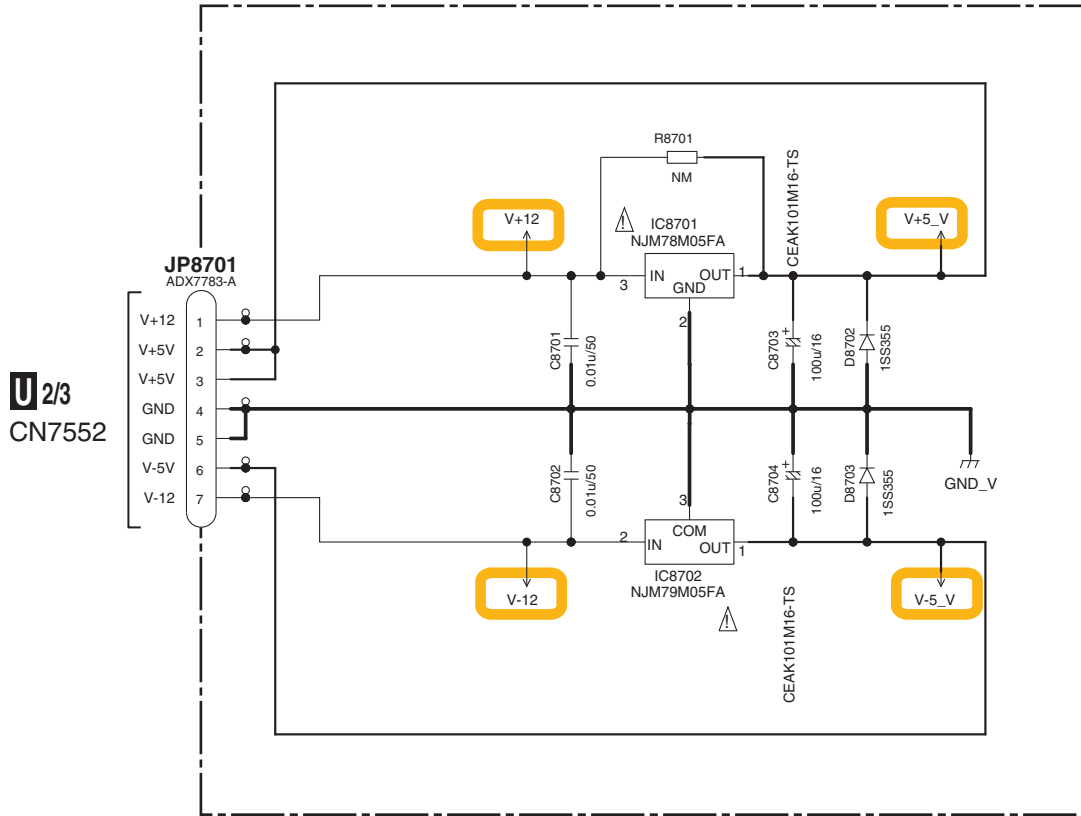
1. RESISTORS  
Unit: k-Ω, M-M Ω or Ω unless otherwise noted.  
Rated Power: 1/16w unless otherwise noted.  
Tolerance: (J)5% unless otherwise noted.

2. CAPACITORS  
Unit: p-pF or u-uF unless otherwise noted.  
Ratings: Capacity(F)/Voltage(V) unless otherwise noted.  
3. NM: No Mount



E 2/10  
CN601

J 1/2  
CN3001



**U** 2/3  
CN7552

**CAUTION - FOR CONTINUED PROTECTION AGAINST RISK OF FIRE,  
REPLACE WITH SAME TYPE AND RATINGS OF FUSE.**

**NOTE**

1. RESISTORS  
Unit: k $\Omega$ , M $\Omega$  or  $\Omega$  unless otherwise noted.  
Rated Power: 1/16w unless otherwise noted.  
Tolerance:  $\pm$ 15% unless otherwise noted.  
MUF: RD1/4MUF

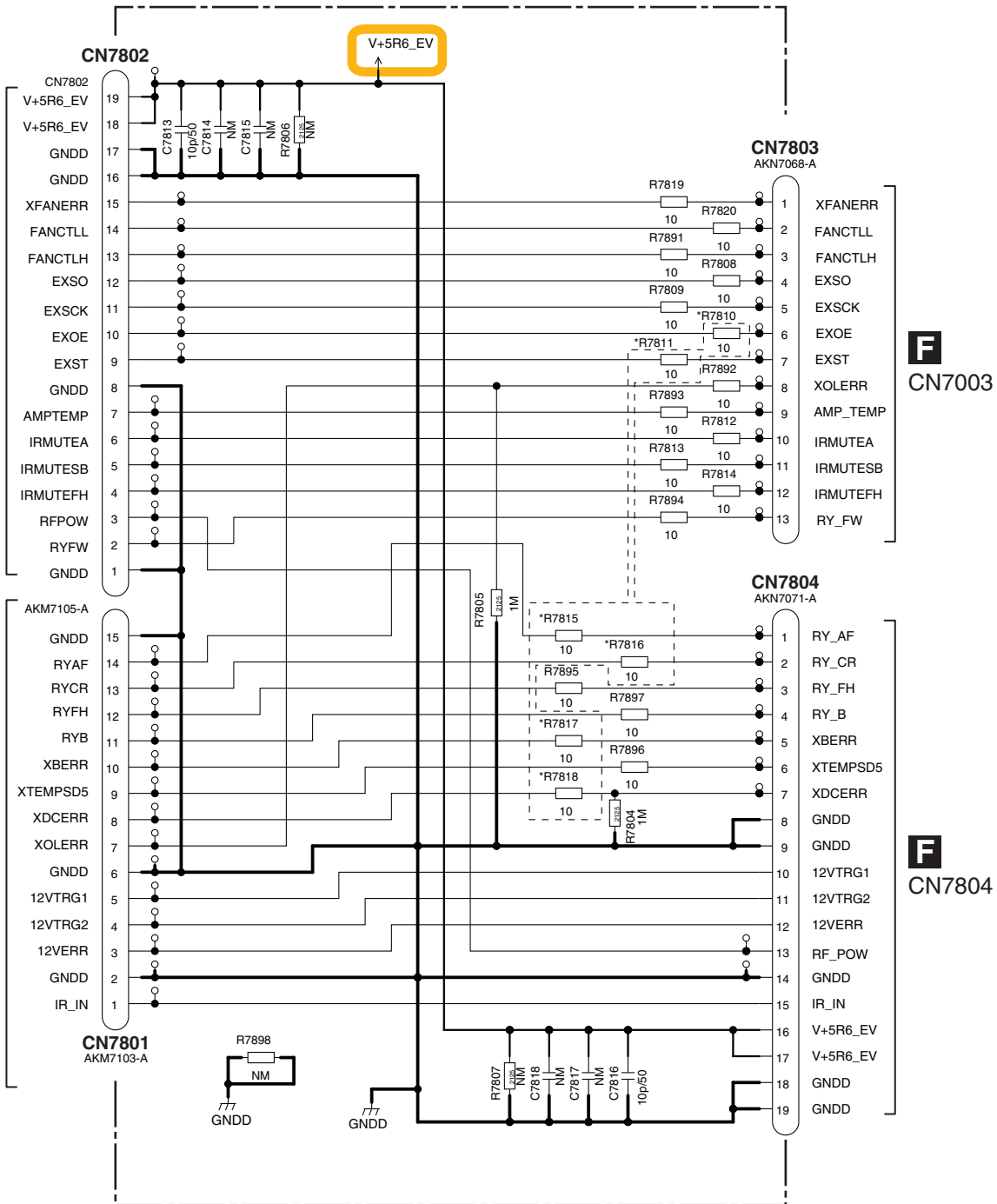
2. CAPACITORS  
Unit: p-pF or u-uF unless otherwise noted.  
Ratings: Capacity(F)/Voltage(V) unless otherwise noted.  
CH: CCSRCH, CFTLA; CFTLA  
NP: CEANP, AK; CEAK  
NO MARKED: CKSRYG or CEAT

3. NM: No Mount

The  $\Delta$  mark found on some component parts should be replaced with same parts(safety regulation authorized) of identical designation.

# 10.47 CONNECT ASSY

**W** CONNECT ASSY  
(AWX1160)



**E** 2/10  
CN602

**F**  
CN7003

**E** 2/10  
CN603

**F**  
CN7804

**NOTE**

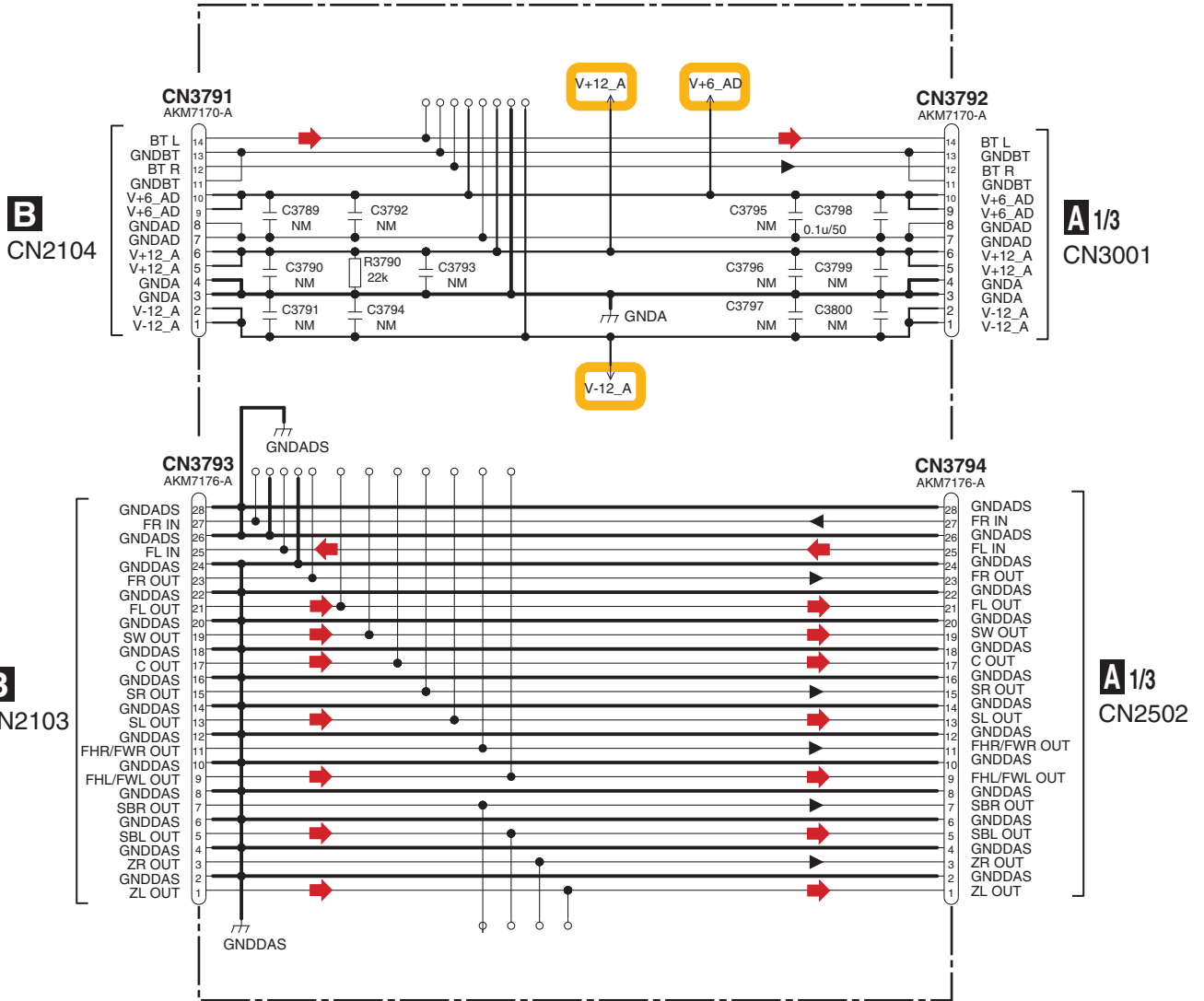
- RESISTORS  
Unit: k-k Ω, M-M Ω or Ω unless otherwise noted.  
Rated Power: 1/16w unless otherwise noted.  
Tolerance: (J)5% unless otherwise noted.
- CAPACITORS  
Unit: p-pF or u-uF unless otherwise noted.  
Ratings: Capacity(F)/Voltage(V) unless otherwise noted.
- NM: No Mount

	AWX1160 (CU)	AWX1286 (SEL-L SY)	AWX1302 (SEL-L J)
R7810	10	10	10
R7811	10	10	10
R7815	10	12	12
R7816	10	12	12
R7817	10	12	12
R7818	10	10	12



5 6 7 8  
**10.48 A-DAC BRIDGE ASSY**

**X A-DAC BRIDGE ASSY (AWX1129)**

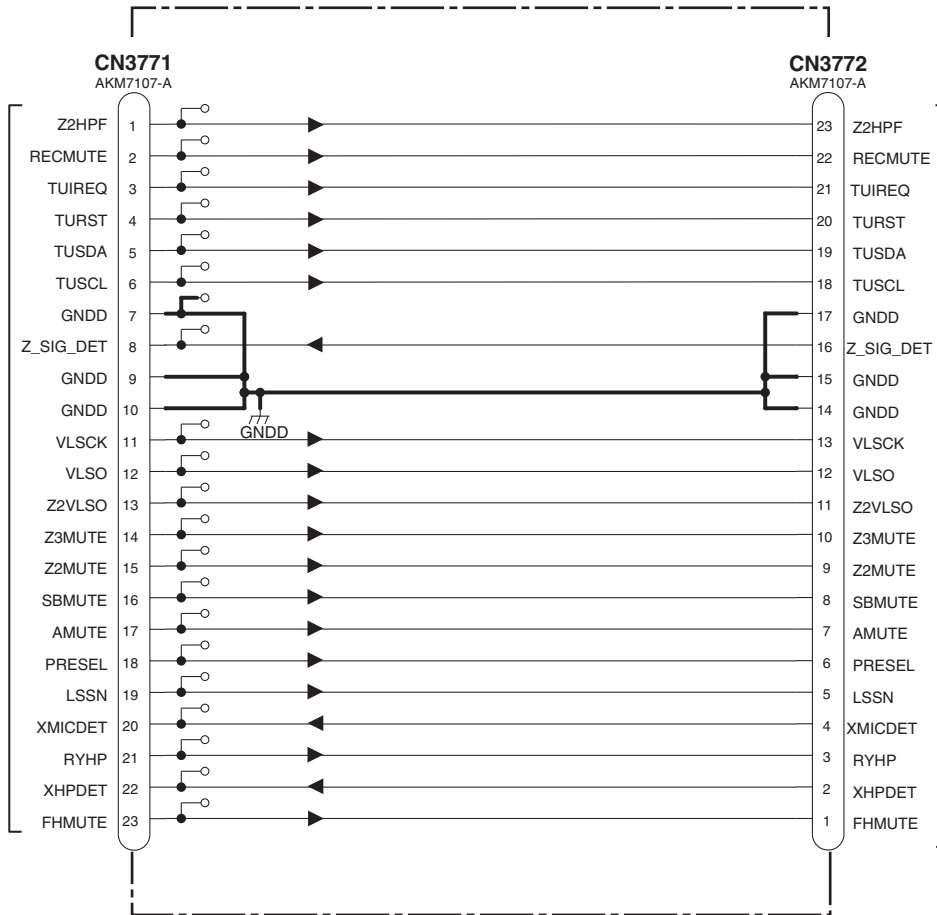


➔ : Audio Signal Route

**NOTE**  
 1. RESISTORS  
 Unit: k- $\Omega$ , M-M $\Omega$  or  $\Omega$  unless otherwise noted.  
 Rated Power: 1/10w unless otherwise noted.  
 Tolerance: (J)5% unless otherwise noted.  
 2. CAPACITORS  
 Unit: p-pF or u-uF unless otherwise noted.  
 Ratings: Capacity(F)/Voltage(V) unless otherwise noted.  
 CH : CCSRCH  
 NO MARKED : CKSRYB  
 3. NM: No Mount



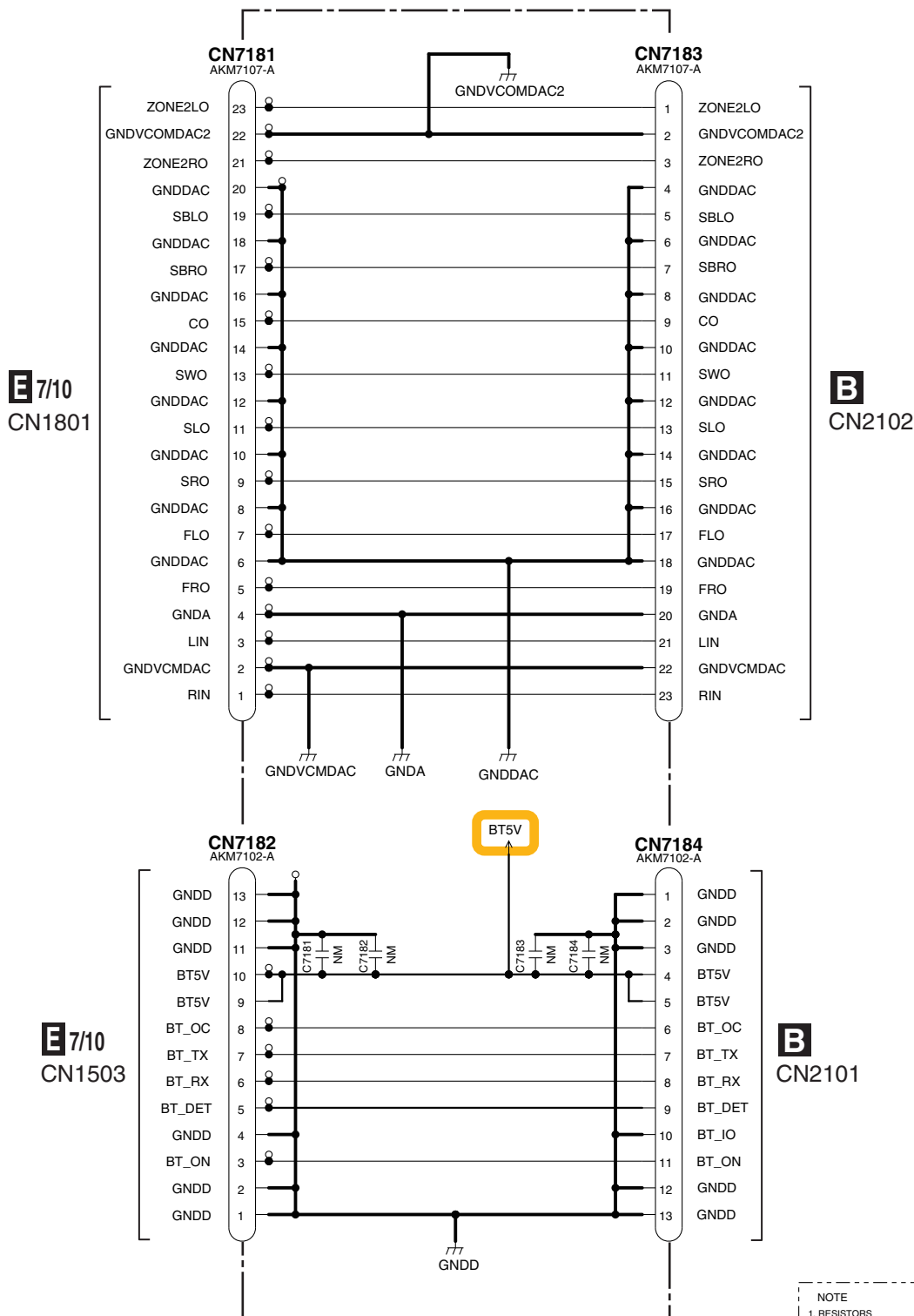
**Y** D-AUDIO BRIDGE ASSY  
(AWX1127)



**NOTE**

1. RESISTORS  
Unit: k-k Ω, M-M Ω or Ω unless otherwise noted.  
Rated Power: 1/10w unless otherwise noted.  
Tolerance: (J)5% unless otherwise noted.
2. CAPACITORS  
Unit: p-pF or u-uF unless otherwise noted.  
Ratings: Capacity(F)/Voltage(V) unless otherwise noted.  
CH : CCSRCH  
NO MARKED : CKSRYB
3. NM: No Mount

**Z D-FILTER BRIDGE ASSY (AWX1164)**



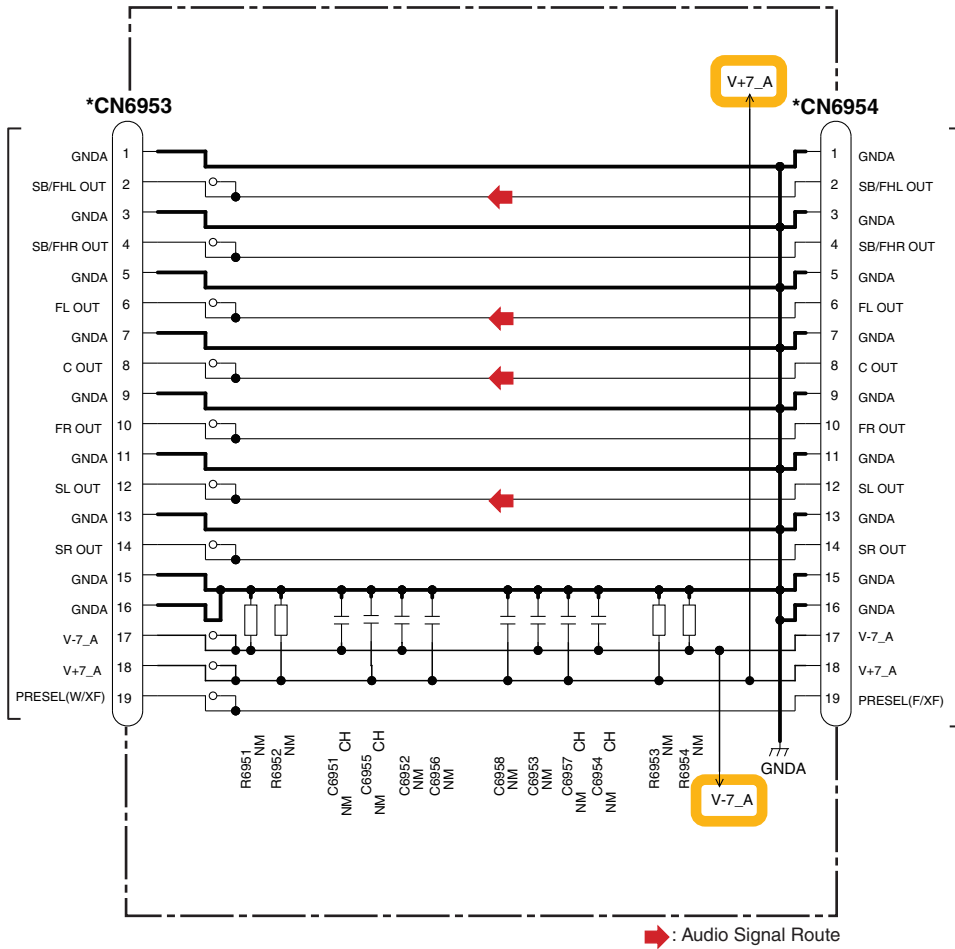
**NOTE**  
 1. RESISTORS  
 Unit: k-k Ω, M-M Ω or Ω unless otherwise noted.  
 Rated Power: 1/16w unless otherwise noted.  
 Tolerance: ±10% unless otherwise noted.  
 2. CAPACITORS  
 Unit: p-pF or u-uF unless otherwise noted.  
 Ratings: Capacity(F)/Voltage(V) unless otherwise noted.  
 3. NM: No Mount

# 10.51 PRE BRIDGE ASSY

## AA PRE BRIDGE ASSY (AWX1202)

N 1/2  
CN6804

A 2/3  
CN3052



**NOTE**  
 1. RESISTORS  
 Unit: k-k Ω, M-M Ω or Ω unless otherwise noted.  
 Rated Power: 1/10w unless otherwise noted.  
 Tolerance: (J)5% unless otherwise noted.

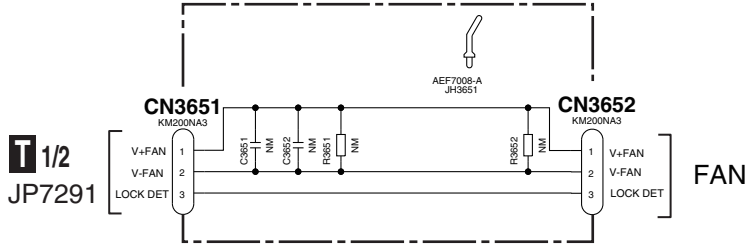
2. CAPACITORS  
 Unit: p-pF or u-uF unless otherwise noted.  
 Ratings: Capacity(F)/Voltage(V) unless otherwise noted.  
 CH : CCSRCH  
 NO MARKED : CKSRYB  
 3. NM: No Mount

AWX1202 (SEL-L)	
SUBASSY	AWX1202- /J
CN6951	NM
CN6952	NM
CN6953	AKM7105-A
CN6954	AKM7105-A



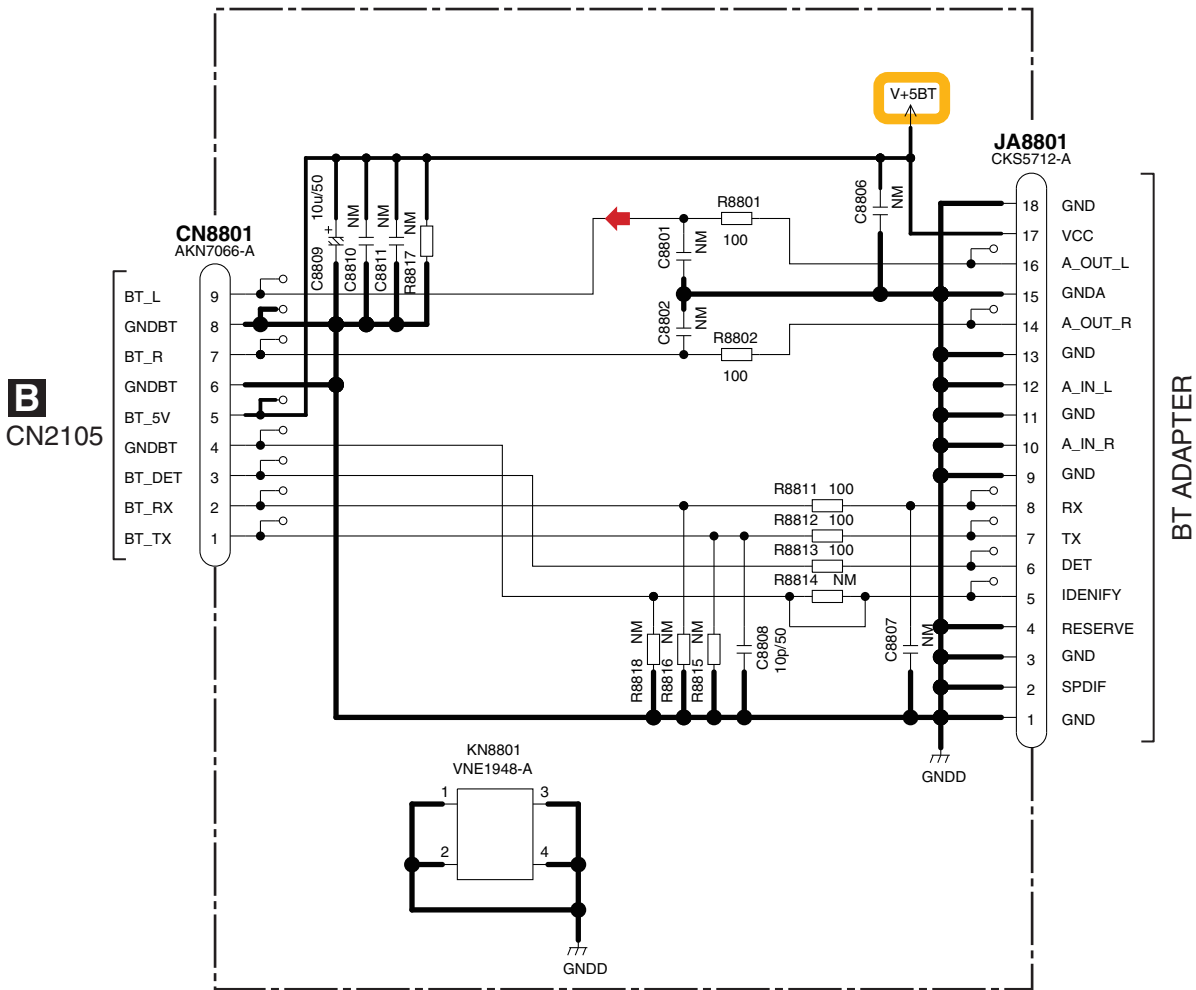
# 10.52 FAN CONNECT\_S ASSY and BT ASSY

## AB FAN CONNECT\_S ASSY (AWX1130)



The  $\triangle$  mark found on some component parts should be replaced with same parts (safety regulation authorized) of identical designation.

## AC BT ASSY (AWX1196)



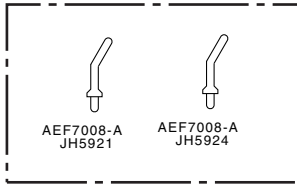
**NOTE**  
 1. RESISTORS  
 Unit: k-k  $\Omega$ , M-M  $\Omega$  or  $\Omega$  unless otherwise noted.  
 Rated Power: 1/16w unless otherwise noted.  
 Tolerance: (J)5% unless otherwise noted.  
 2. CAPACITORS  
 Unit: p-pF or u-uF unless otherwise noted.  
 Ratings: Capacity(F)/Voltage(V) unless otherwise noted.  
 YB:CKSR YB, QYB:CKSQYB, SYB:CKSYB, CH:CCSRCH  
 HAT:CEHAT, ZL:CEHAZL  
 3. NM: No Mount

1608 SIZE	2125 SIZE	3216 SIZE
RS1/16S***	RS1/10S***	RS1/8S***
RN1/16S***	RS1/8SQ***	RS1/4SA***
CCSR***	CCSQ***	CCS***
CKSR***	CKSQ***	CKS***

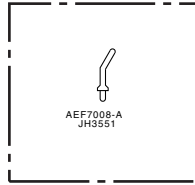
# 10.53 MIC HP GUARD, BIND DM CABLE, P WIRE GUARD, FFC GUARD, BIND FAN CABLE and VREG GUARD ASSYS

A

**AD** MIC HP GUARD ASSY (AWX1152)

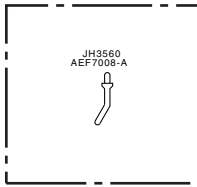


**AE** BIND DM CABLE ASSY (AWX1168)



B

**AF** P WIRE GUARD ASSY (AWX1229)



**AG** FFC GUARD ASSY (AWX1167)



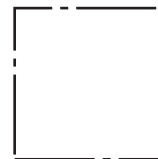
C

D

**AH** BIND FAN CABLE ASSY (AWX1231)



**AI** VREG GUARD ASSY (AWX1153)



E

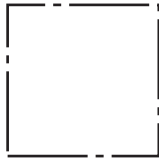
F

**AD AE AF AG AH AI**

**AD AE AF AG AH AI**

5 6 7 8  
**10.54 TRANS VREG STYL, IR EDGE GUARD and PANEL GUARD ASSYS**

**AJ** TRANS VREG STYL ASSY  
(AWX1256)



**AK** IR EDGE GUARD ASSY  
(AWX1230)



**AL** PANEL GUARD ASSY  
(AWX1154)



**AJ AK AL**

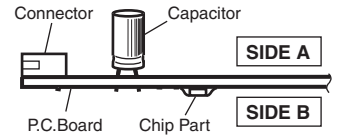
**AJ AK AL**

A  
B  
C  
D  
E  
F



**NOTE FOR PCB DIAGRAMS :**

- 1. The parts mounted on this PCB include all necessary parts for several destinations. For further information for respective destinations, be sure to check with the schematic diagram.
- 2. View point of PCB diagrams.



**SIDE A**

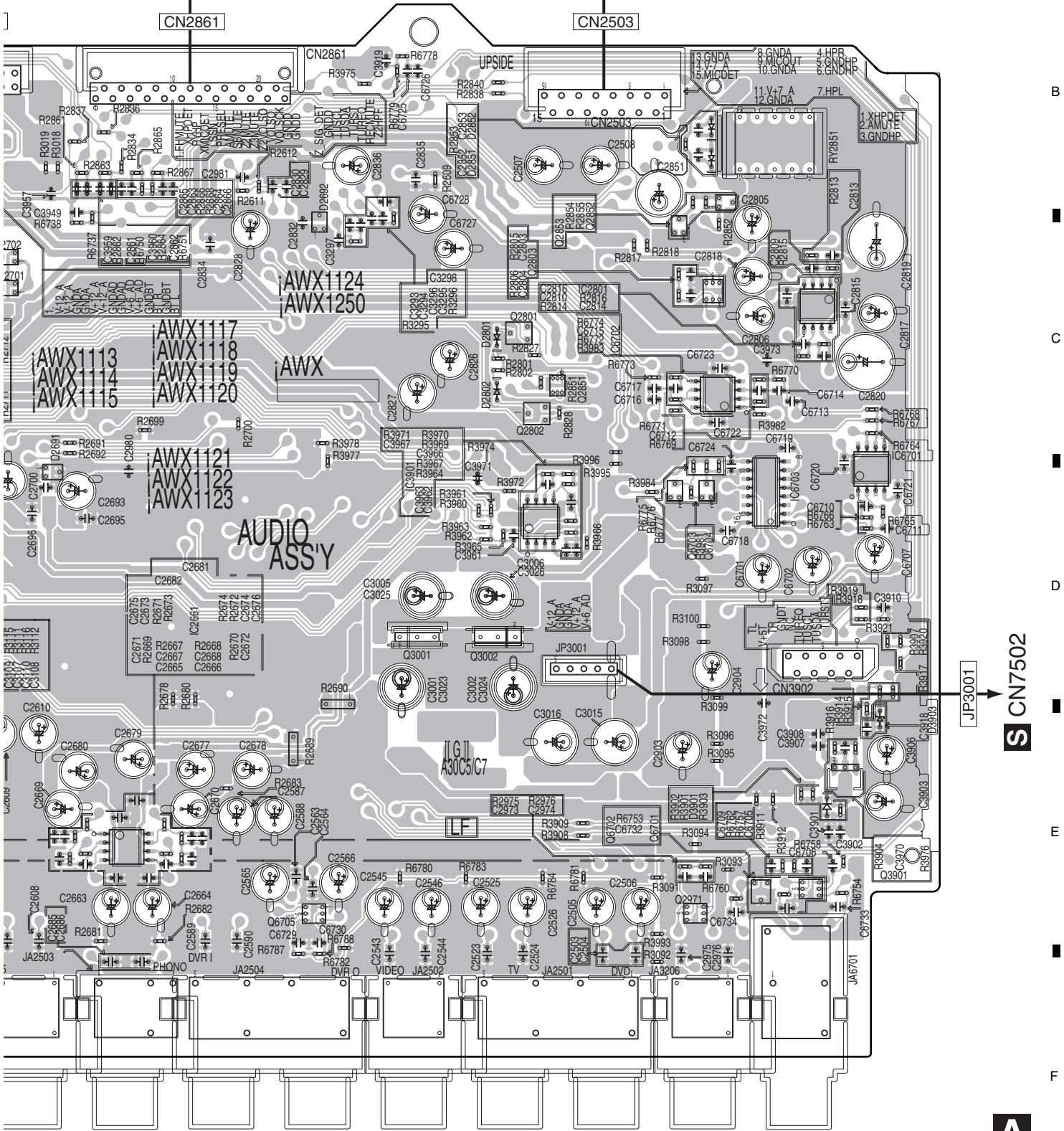
**SIDE A**

**SIDE B**

92

**Y** CN3772

**F** CN7010



**S** CN7502

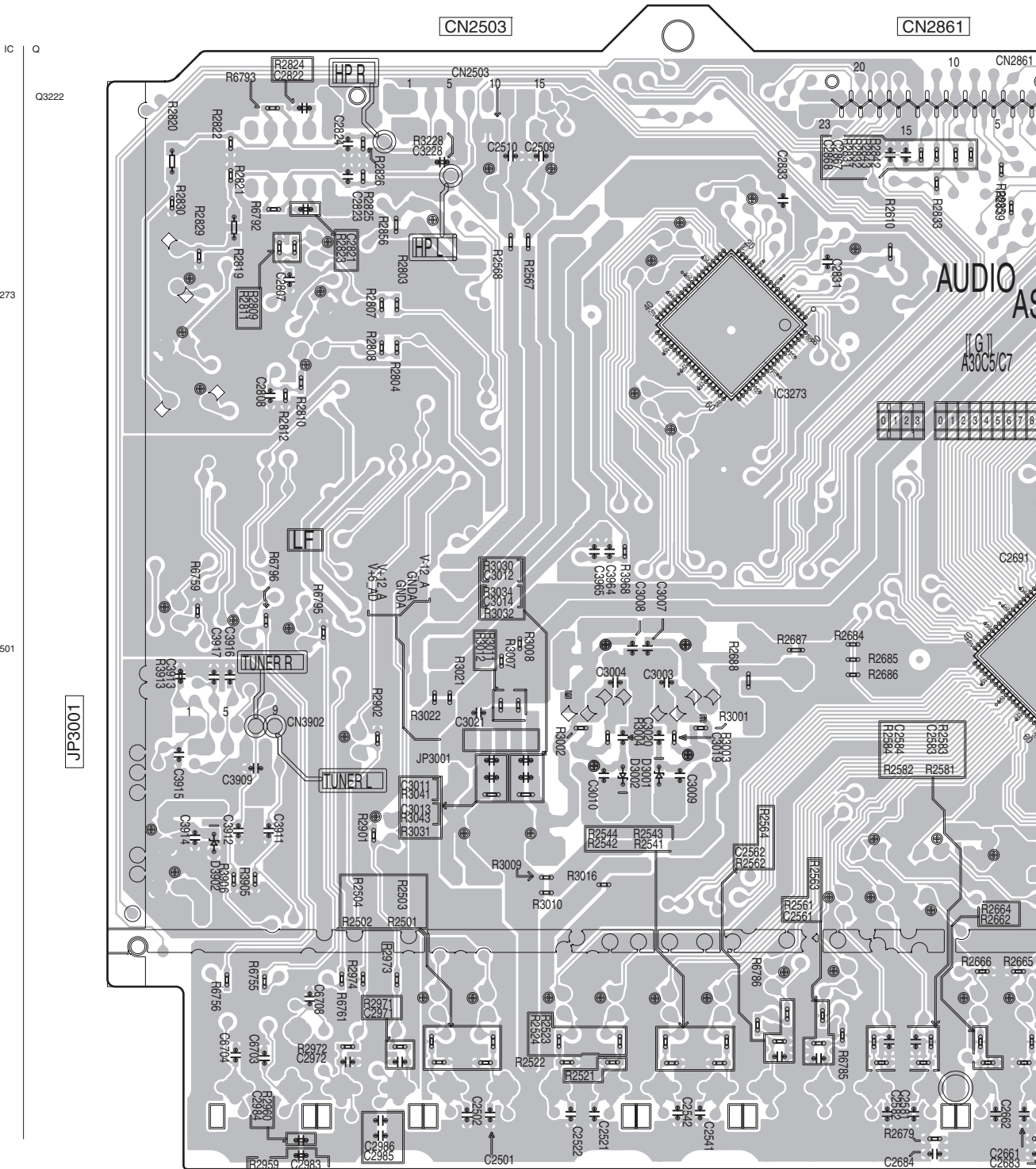
(ANP7825-A)

SC-63

**A**

SIDE B

# A AUDIO ASSY



A  
B  
C  
D  
E  
F

IC

Q

Q3222

IC3273

IC2501

JP3001

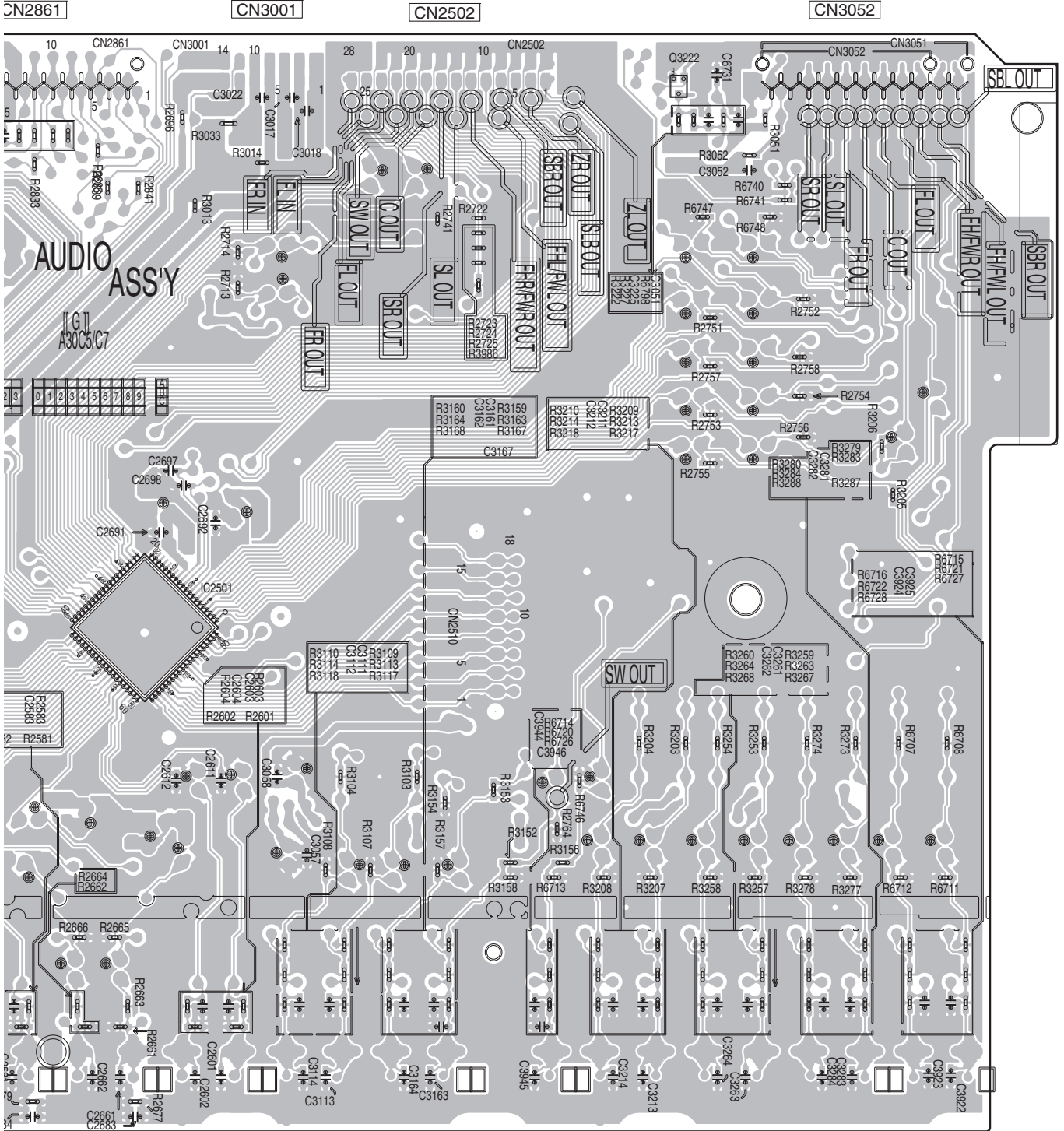
CN2503

CN2861

AUDIO ASSY  
[G] A30C5/C7

A





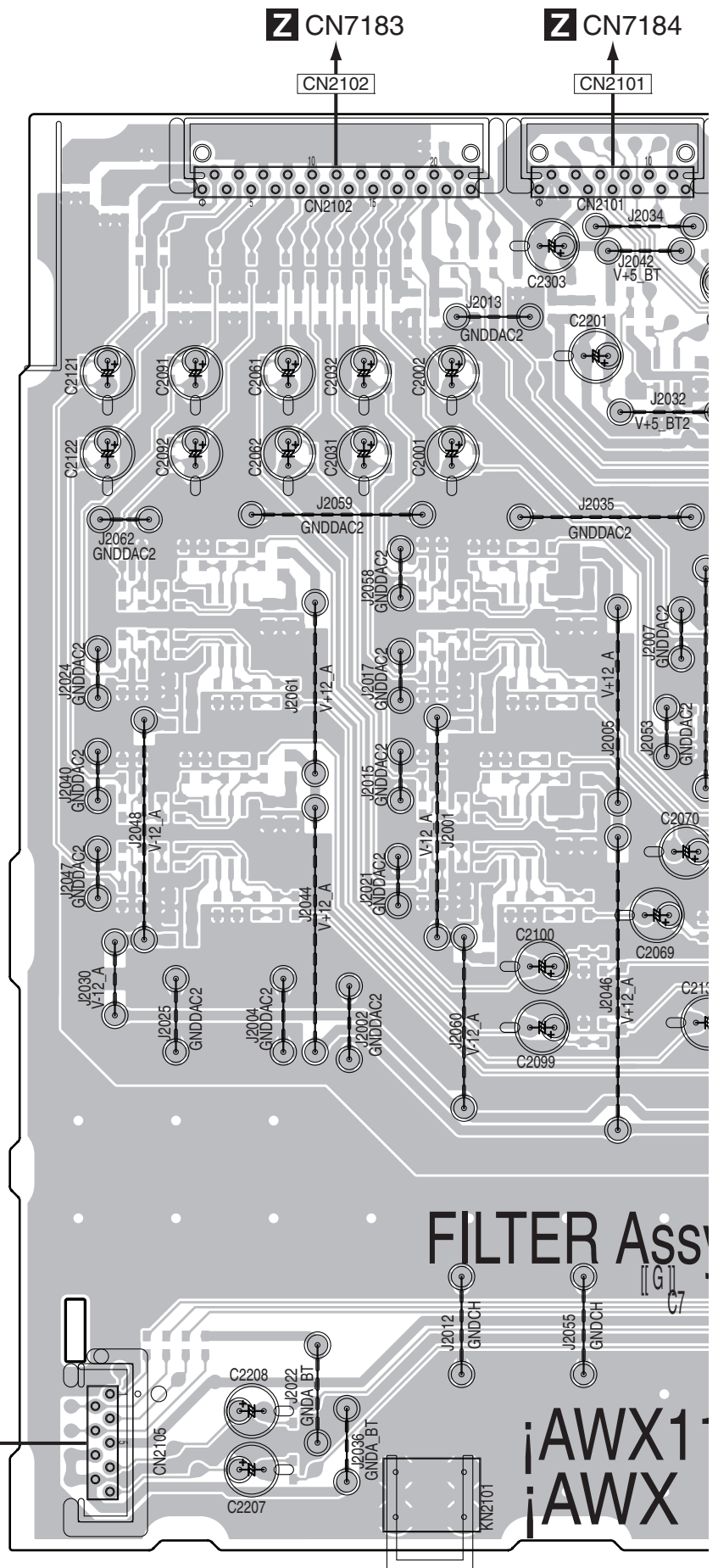
(ANP7825-A)



# 11.2 FILTER ASSY

**SIDE A**

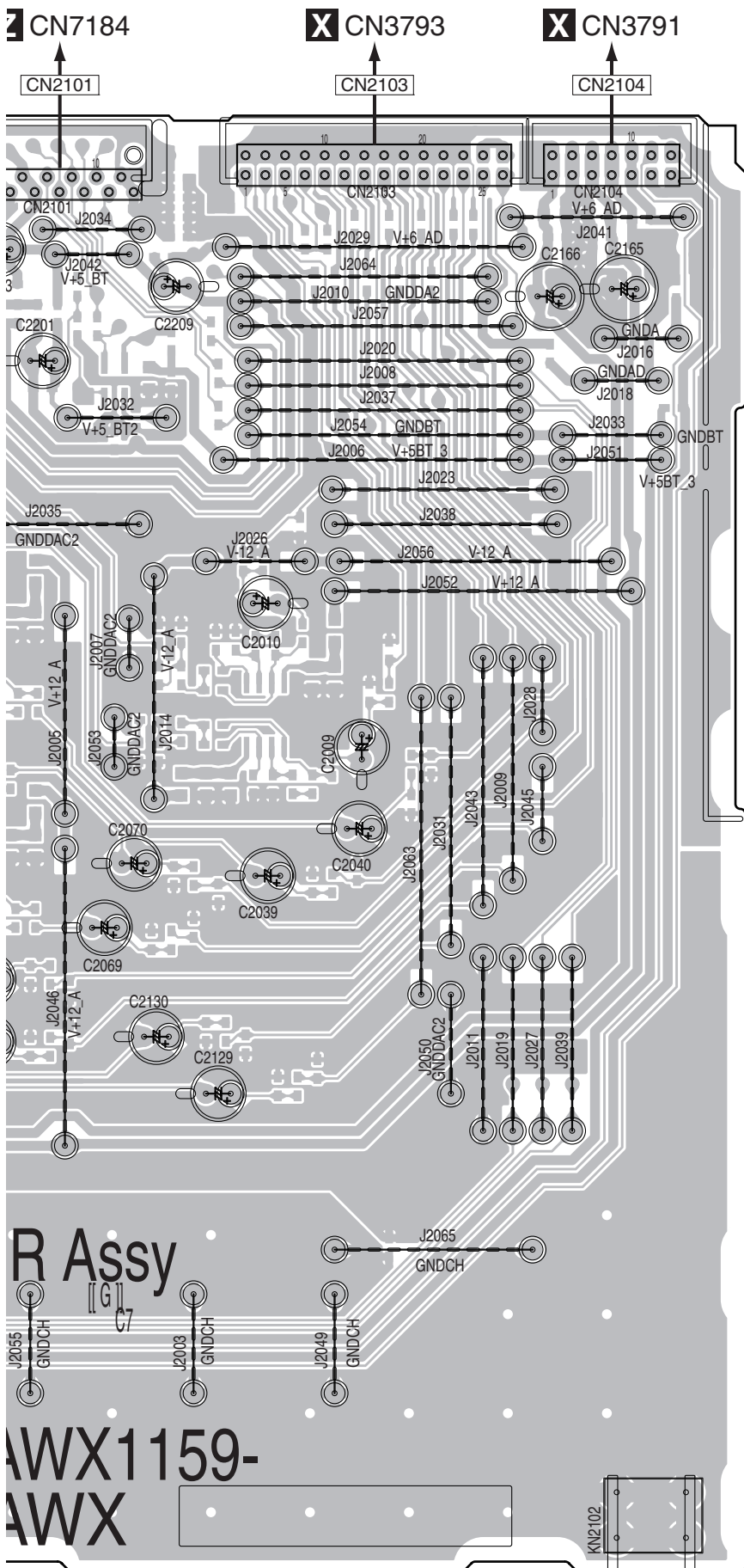
**B** FILTER ASSY



**B**

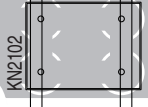
**SIDE A**

A  
B  
C  
D  
E  
F



R Assy

AWX1159-  
AWX



(ANP7831-B)

SC-63

**B**

**SIDE B**

A

**B FILTER ASSY**

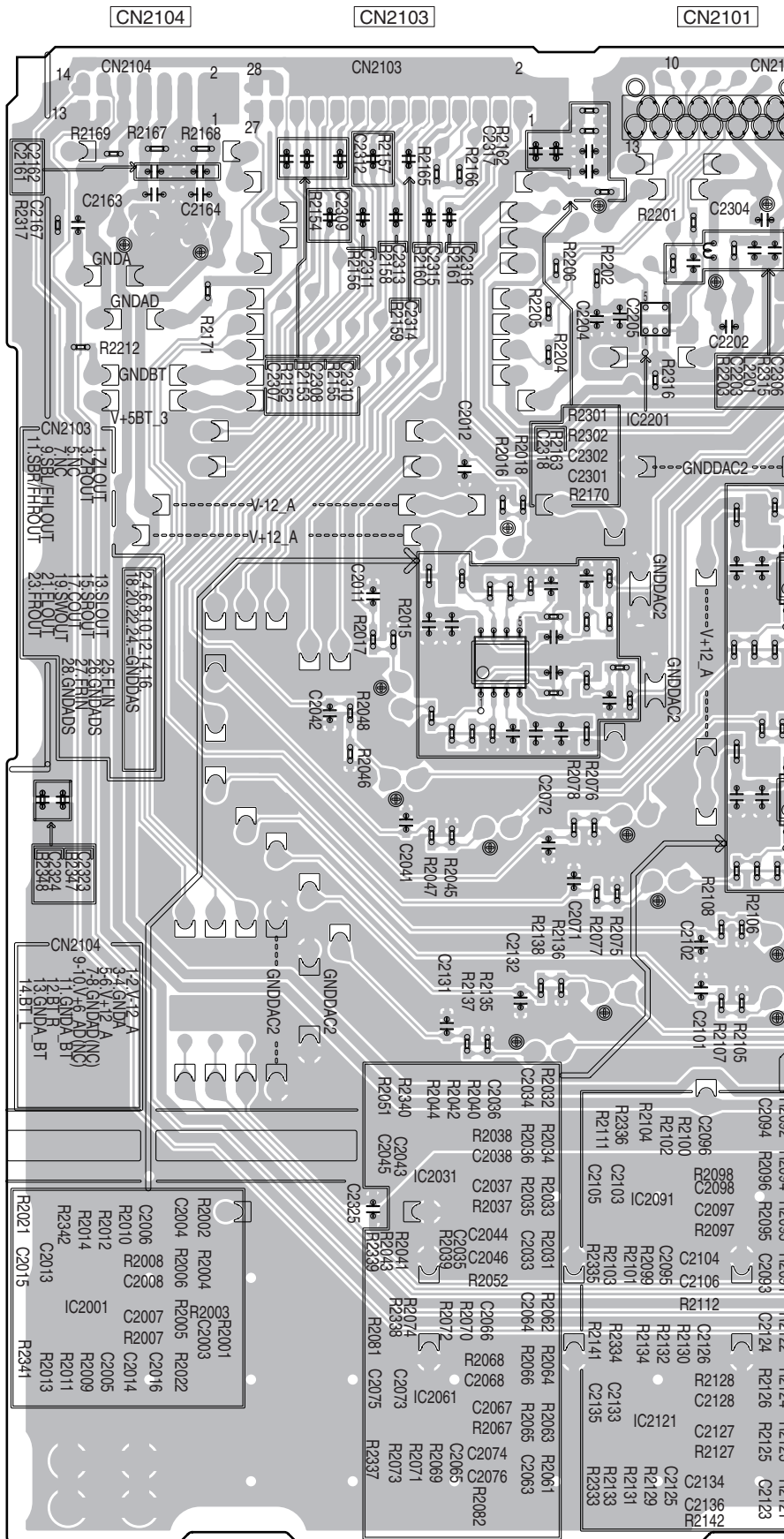
B

C

D

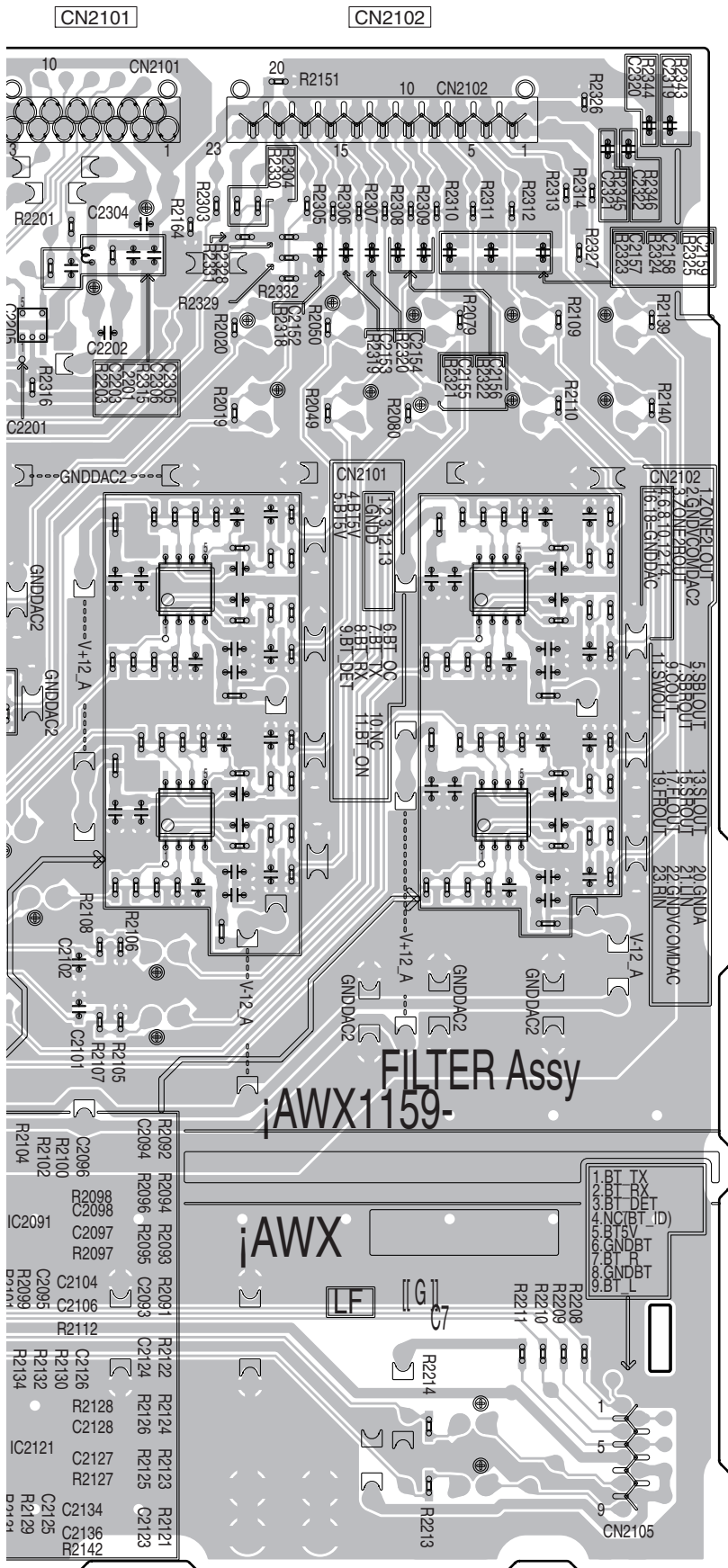
E

F



**B**

A  
B  
C  
D  
E  
F



(ANP7831-B)

# 11.3 FRONT HDMI USB ASSY

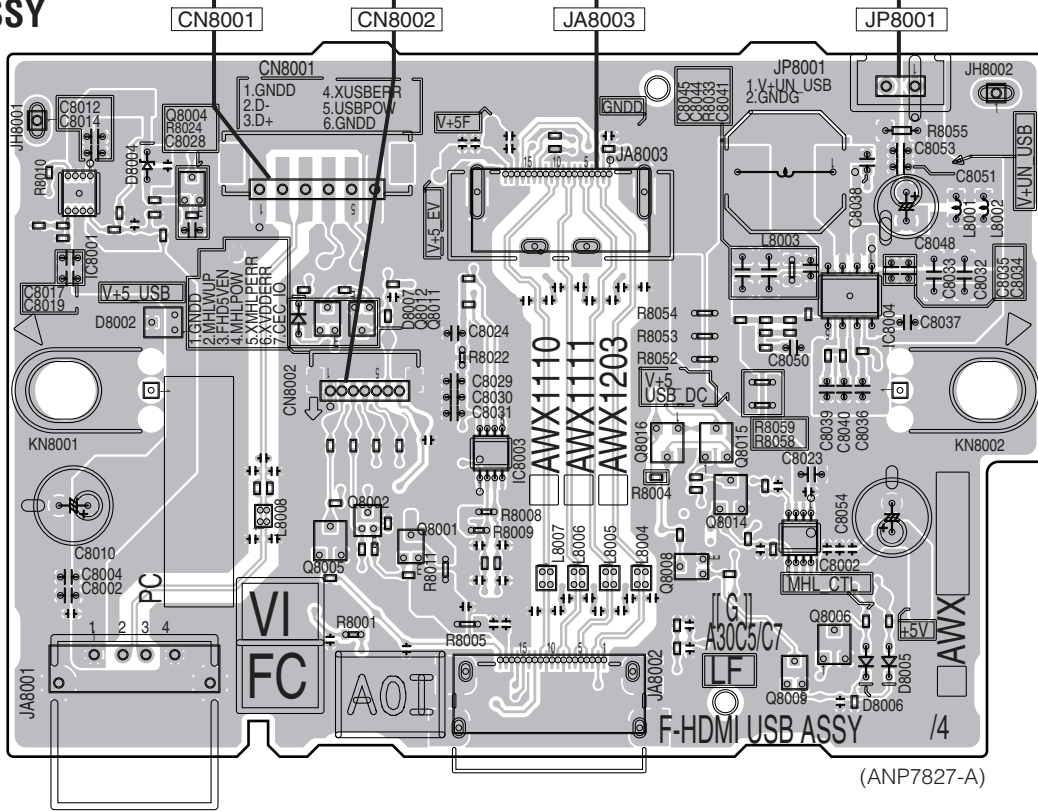
**SIDE A**

**SIDE A**

**C FRONT HDMI USB ASSY**

A  
B  
C

**E** CN9202 **J** CN3004 **E** JA9605 **D** CN3652

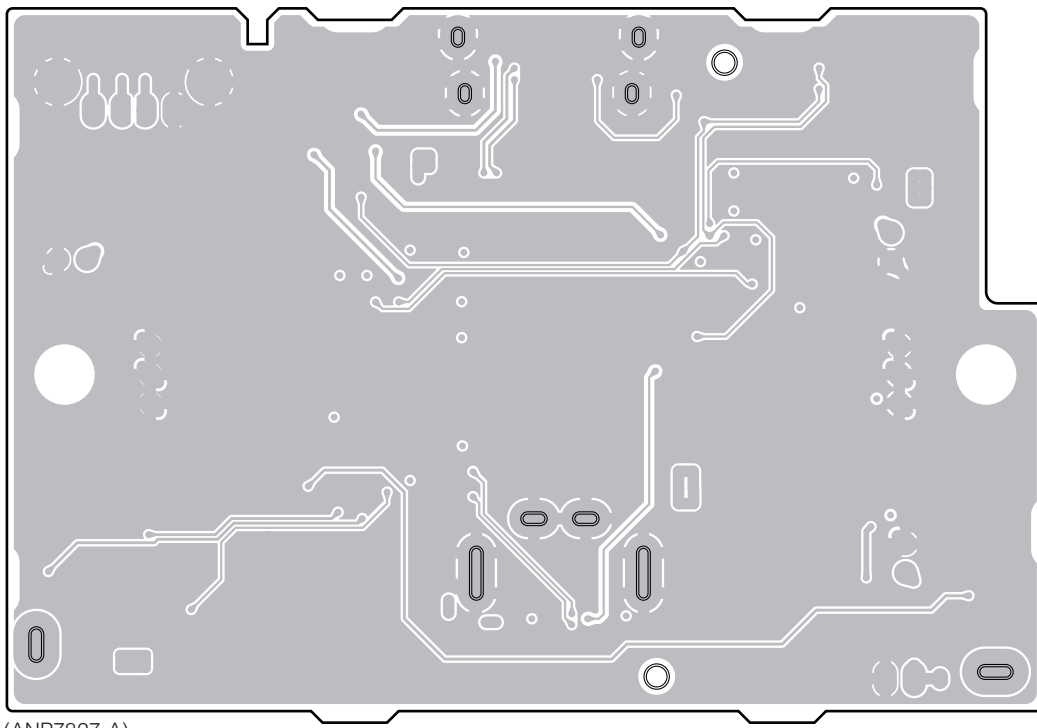


**SIDE B**

**SIDE B**

**C FRONT HDMI USB ASSY**

D  
E  
F



(ANP7827-A)

CN8001

JA8003

JP8001

SC-63

**C**

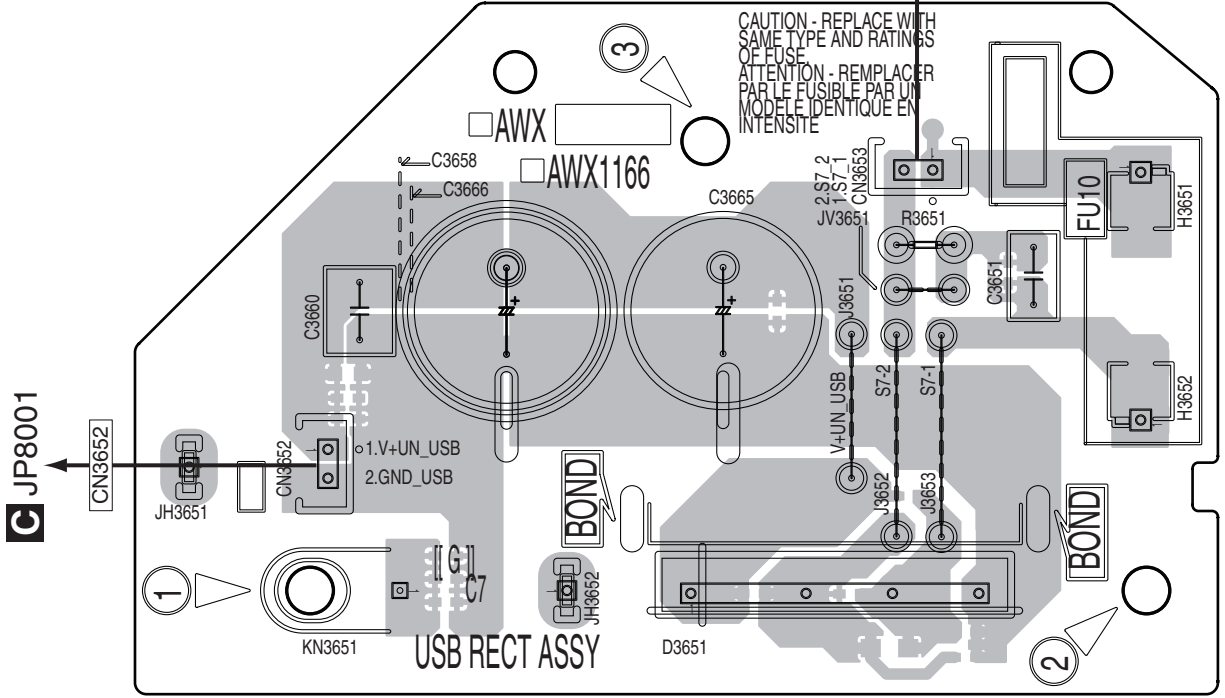
**C**

# 11.4 USB RECT ASSY

**SIDE A**

**SIDE A**

## D USB RECT ASSY

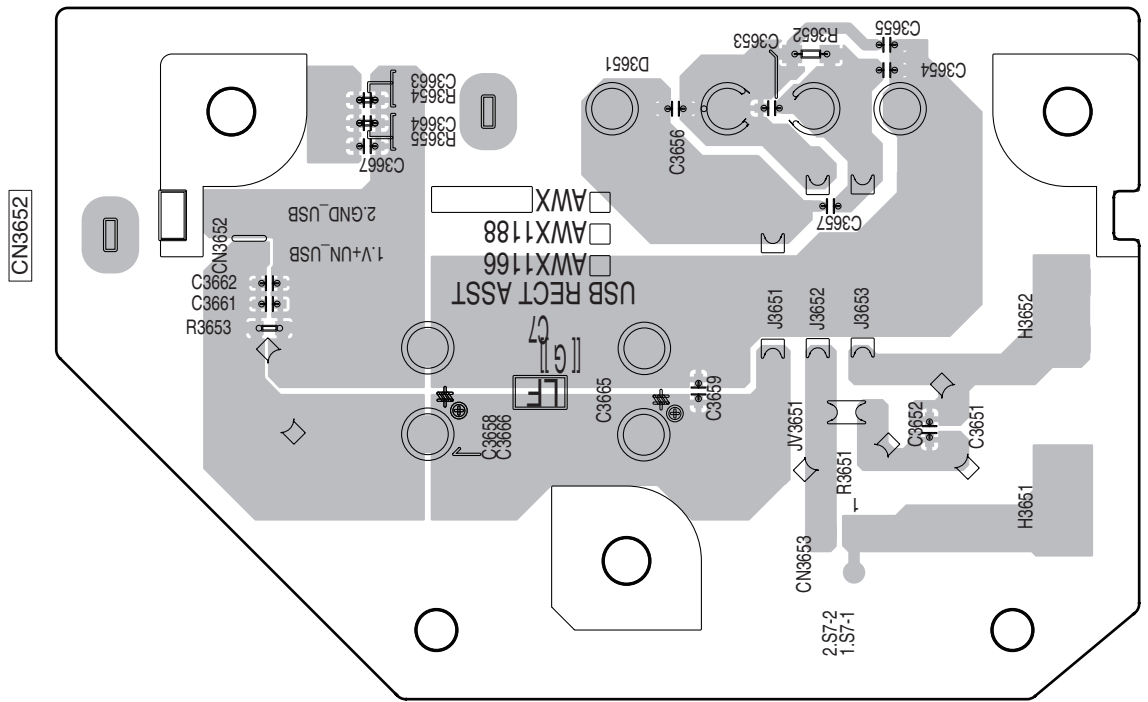


(ANP7832-A)

**SIDE B**

**SIDE B**

## D USB RECT ASSY



(ANP7832-A)

**D**

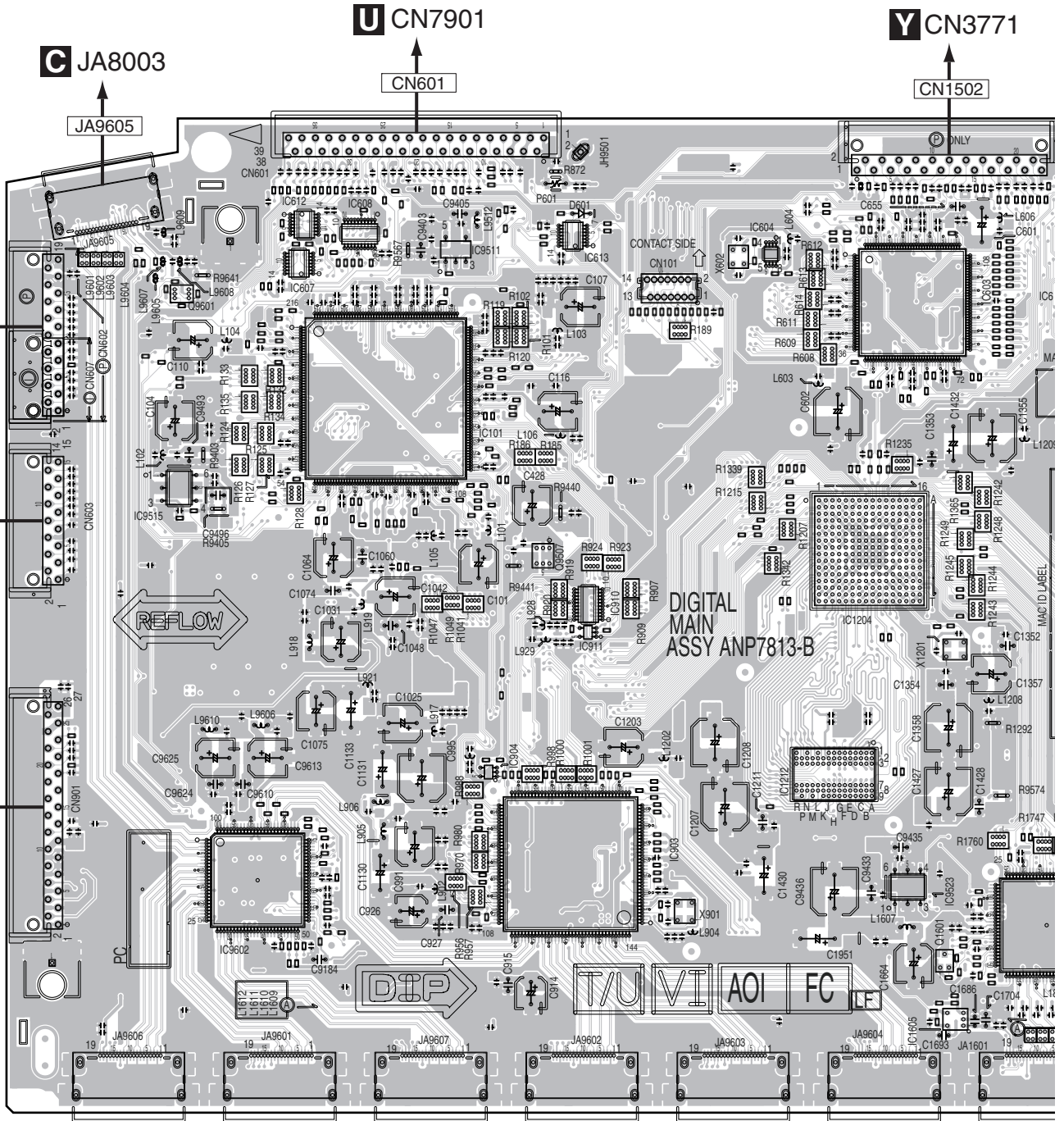
**D**



# 11.5 DIGITAL MAIN ASSY

SIDE A

**E** DIGITAL MAIN ASSY

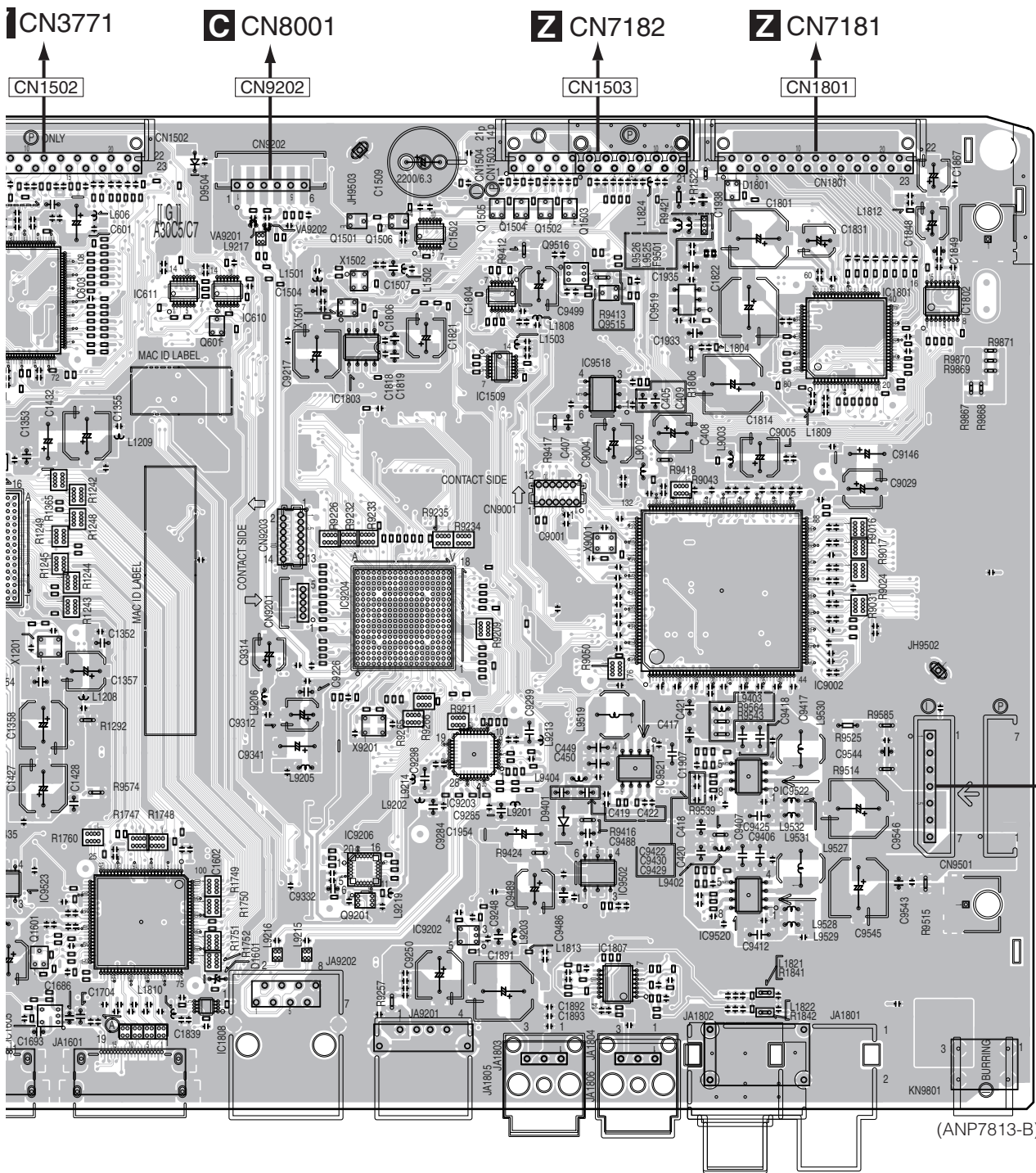


Q9601	Q9507	Q9601
IC	IC	IC
IC9515	IC612 IC607	IC608
IC9602	IC101	IC9511
IC904	IC909	IC613
	IC910	IC911
	IC913	IC914
	IC915	IC916
	IC917	IC918
	IC919	IC920
	IC921	IC922
	IC923	IC924
	IC925	IC926
	IC927	IC928
	IC929	IC930
	IC931	IC932
	IC933	IC934
	IC935	IC936
	IC937	IC938
	IC939	IC940
	IC941	IC942
	IC943	IC944
	IC945	IC946
	IC947	IC948
	IC949	IC950
	IC951	IC952
	IC953	IC954
	IC955	IC956
	IC957	IC958
	IC959	IC960
	IC961	IC962
	IC963	IC964
	IC965	IC966
	IC967	IC968
	IC969	IC970
	IC971	IC972
	IC973	IC974
	IC975	IC976
	IC977	IC978
	IC979	IC980
	IC981	IC982
	IC983	IC984
	IC985	IC986
	IC987	IC988
	IC989	IC990
	IC991	IC992
	IC993	IC994
	IC995	IC996
	IC997	IC998
	IC999	IC1000



SIDE A

A



B

C

D

E

F



Q601	Q1501	Q1506	Q1505	Q1504	Q1502	Q1503	
			Q9516	Q9515			
Q1601	Q9201						
603	IC611	IC610	IC1803	IC1502	IC1804	IC1509	IC9518
				IC9204			IC9519
3	IC1602		IC9203	IC9202	IC1801		IC9522
	IC1605	IC1808	IC9206				IC9520

1

2

3

4

SIDE B

A

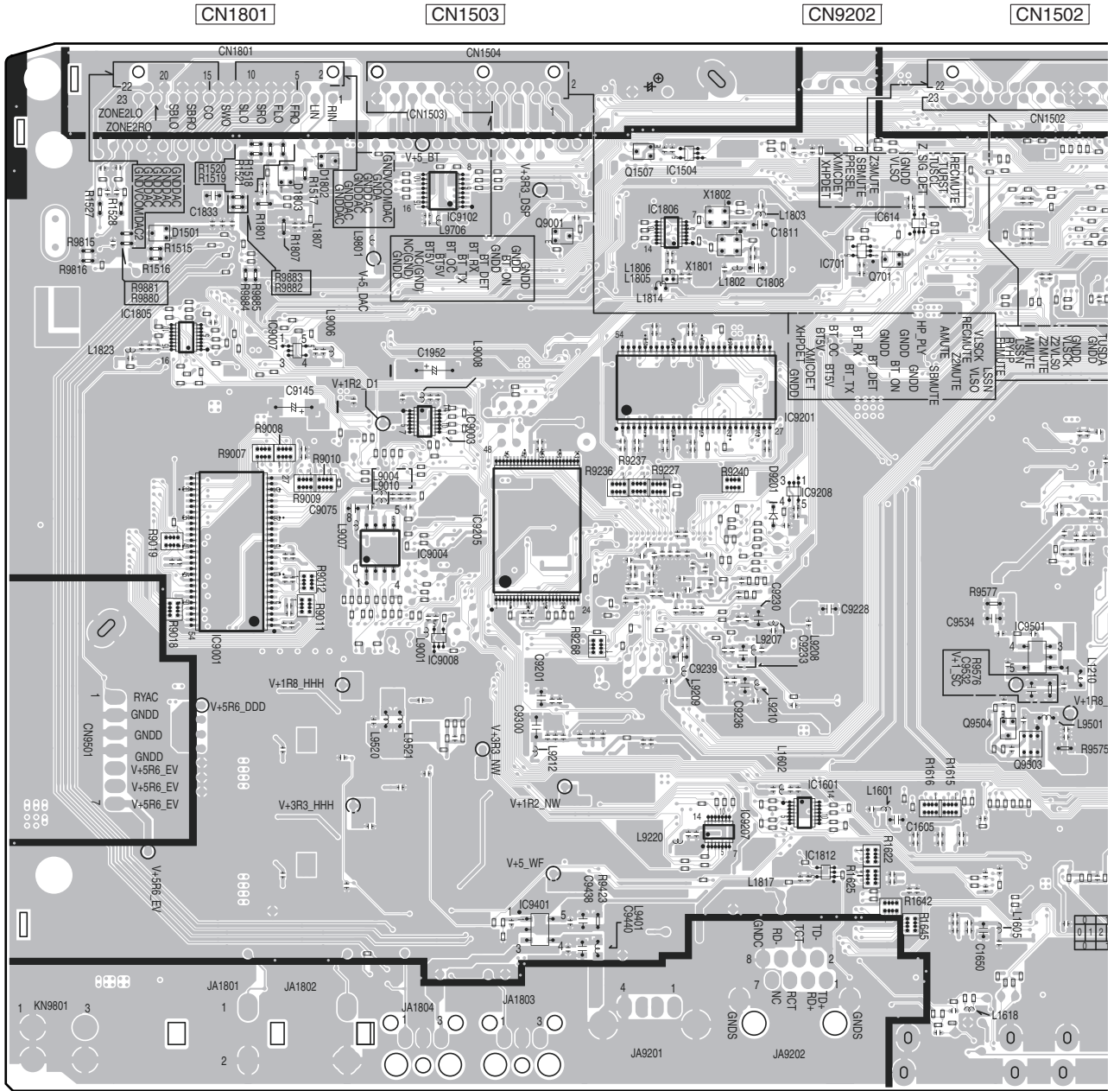
B

C

D

E

F



			Q9001	Q1507		Q701			Q9504	Q9503
Q										
IC	IC1805	IC9007	IC9102	IC9003	IC9205	IC1504 IC1806 IC9201	IC701	IC614		IC9501
	IC9001		IC9004	IC9008	IC9401	IC9207	IC1601 IC1812			



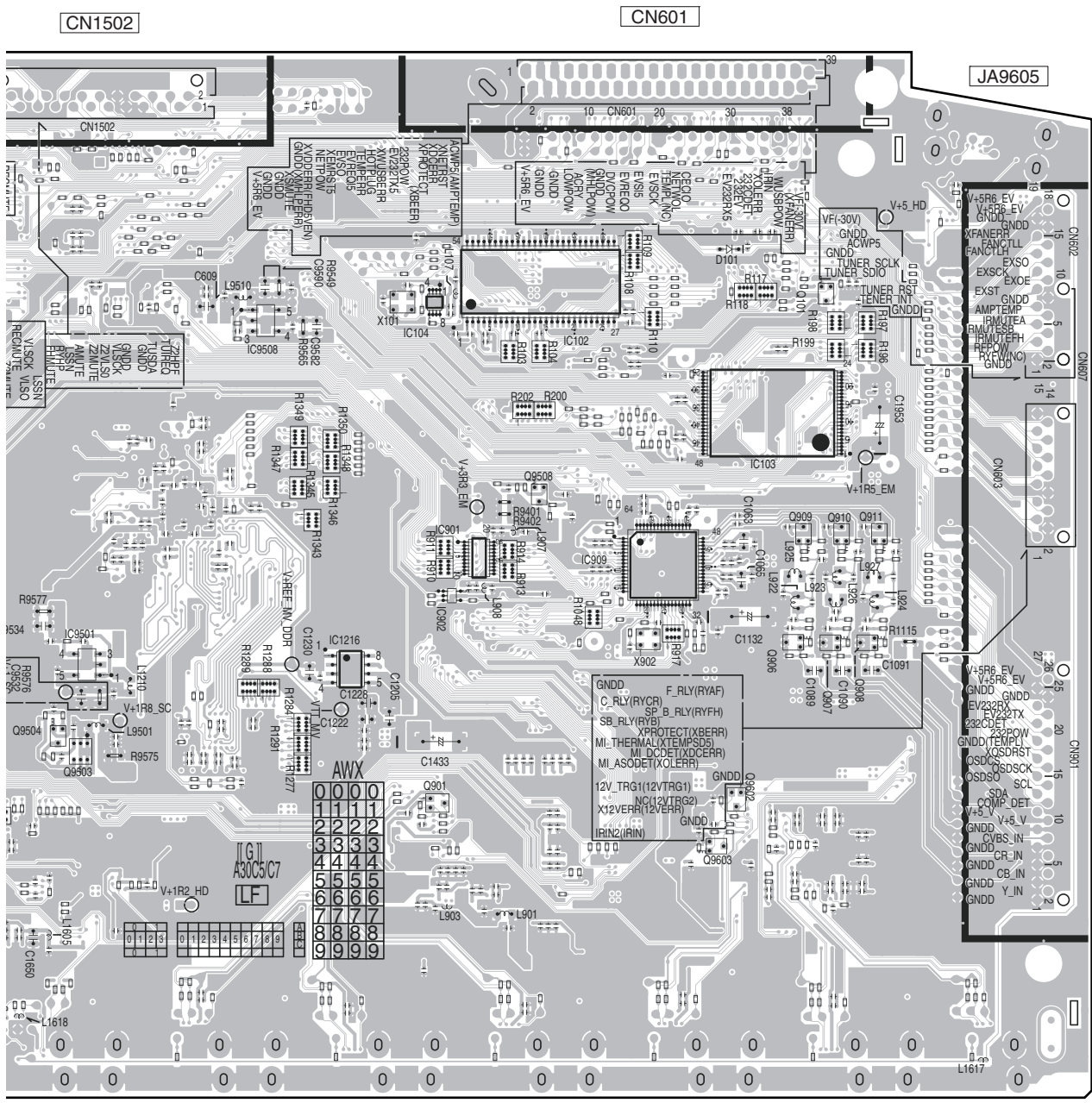
1

2

3

4

A  
B  
C  
D  
E  
F



(ANP7813-B)

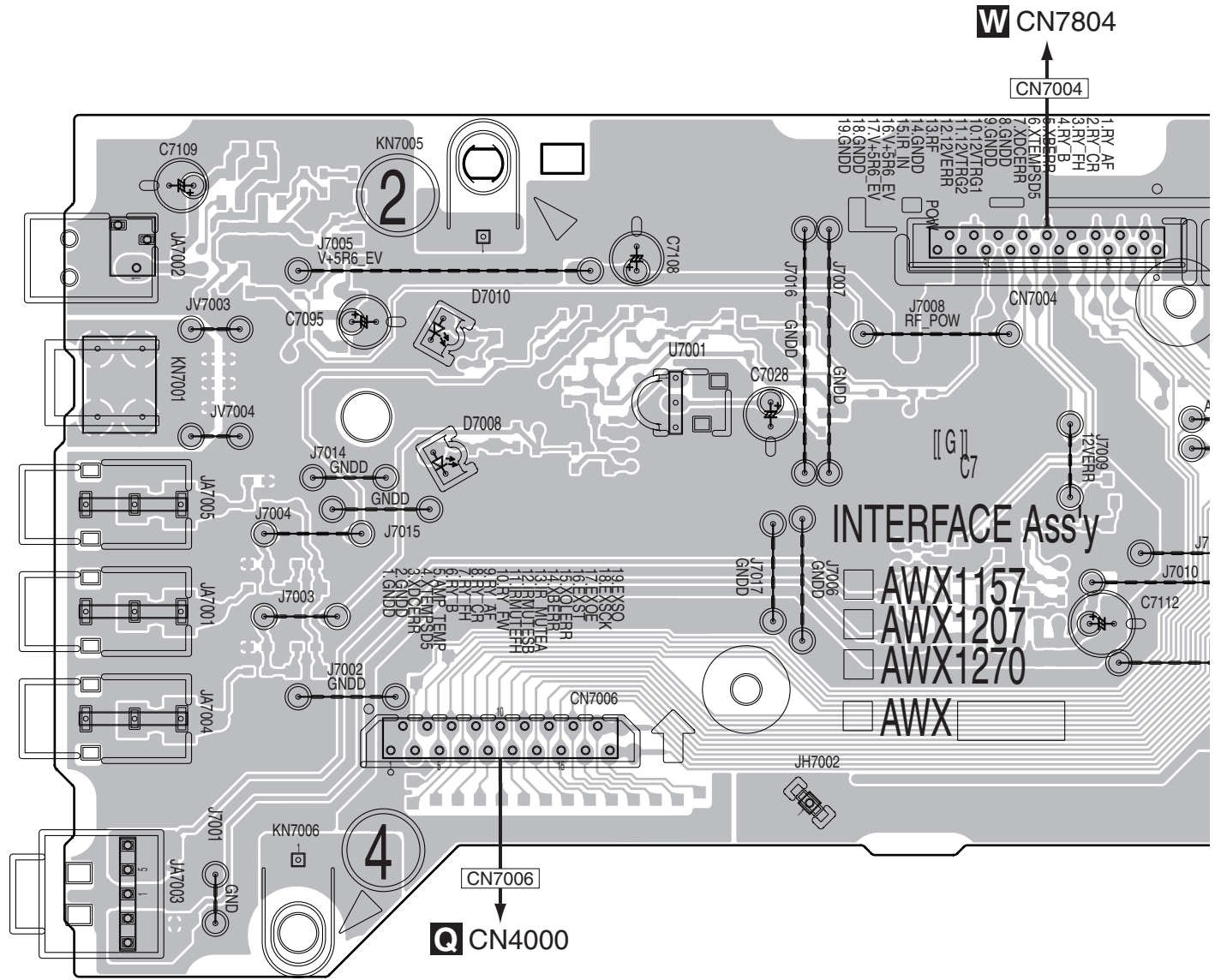
- Q9504 Q9503
- Q901
- Q9508
- Q9602 Q909 Q910 Q911
- Q9603 Q906 Q907 Q908

- IC9508
- IC901
- IC102
- IC909
- IC103
- IC9501
- IC1216
- IC902

# 11.6 INTERFACE ASSY

SIDE A

## F INTERFACE ASSY





**SIDE A**

A

B

C

D

E

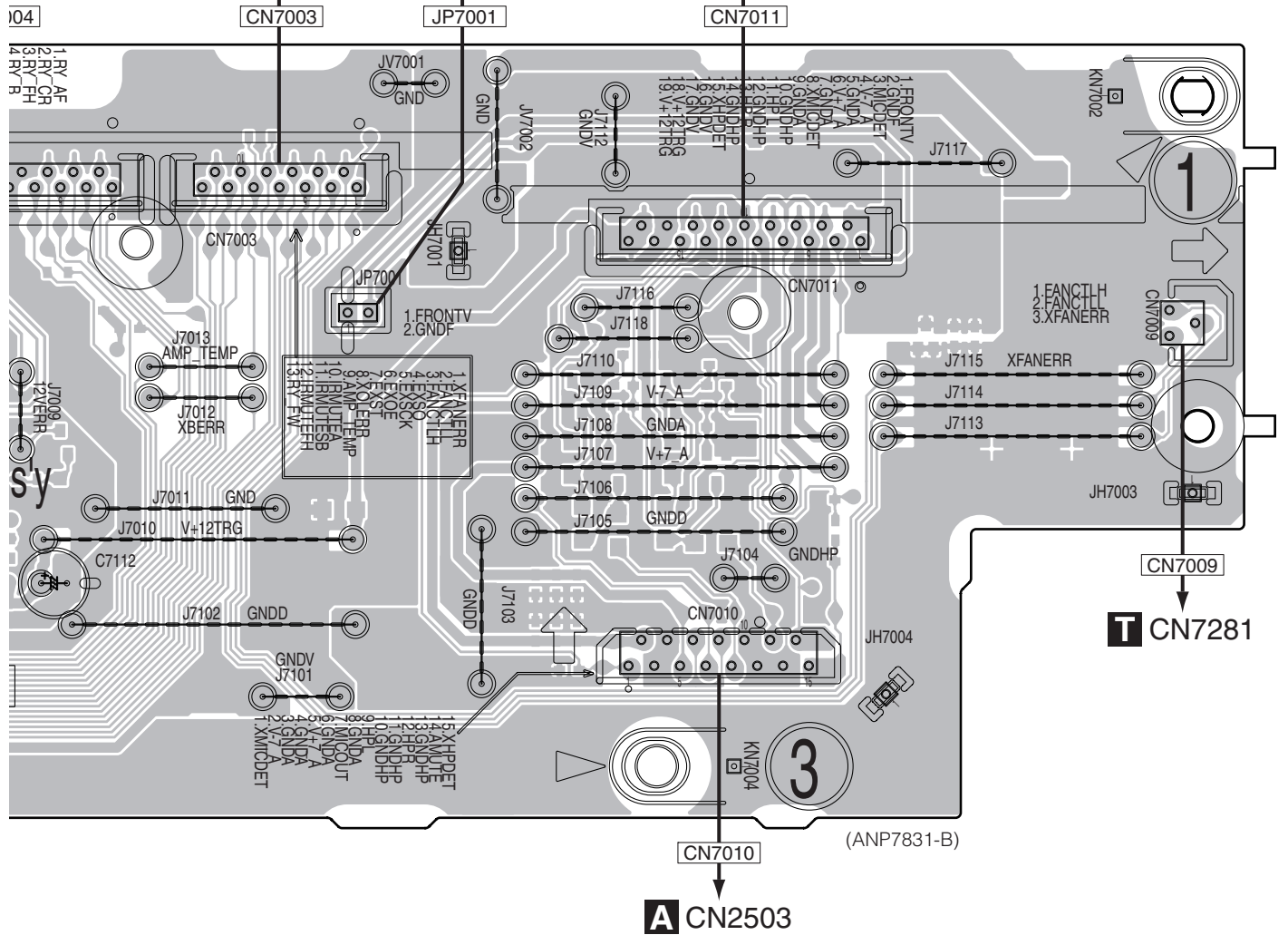
F

7804

**W** CN7803

**G** CN8401

**U** CN7661



**A** CN2503

**T** CN7281



SIDE B

A

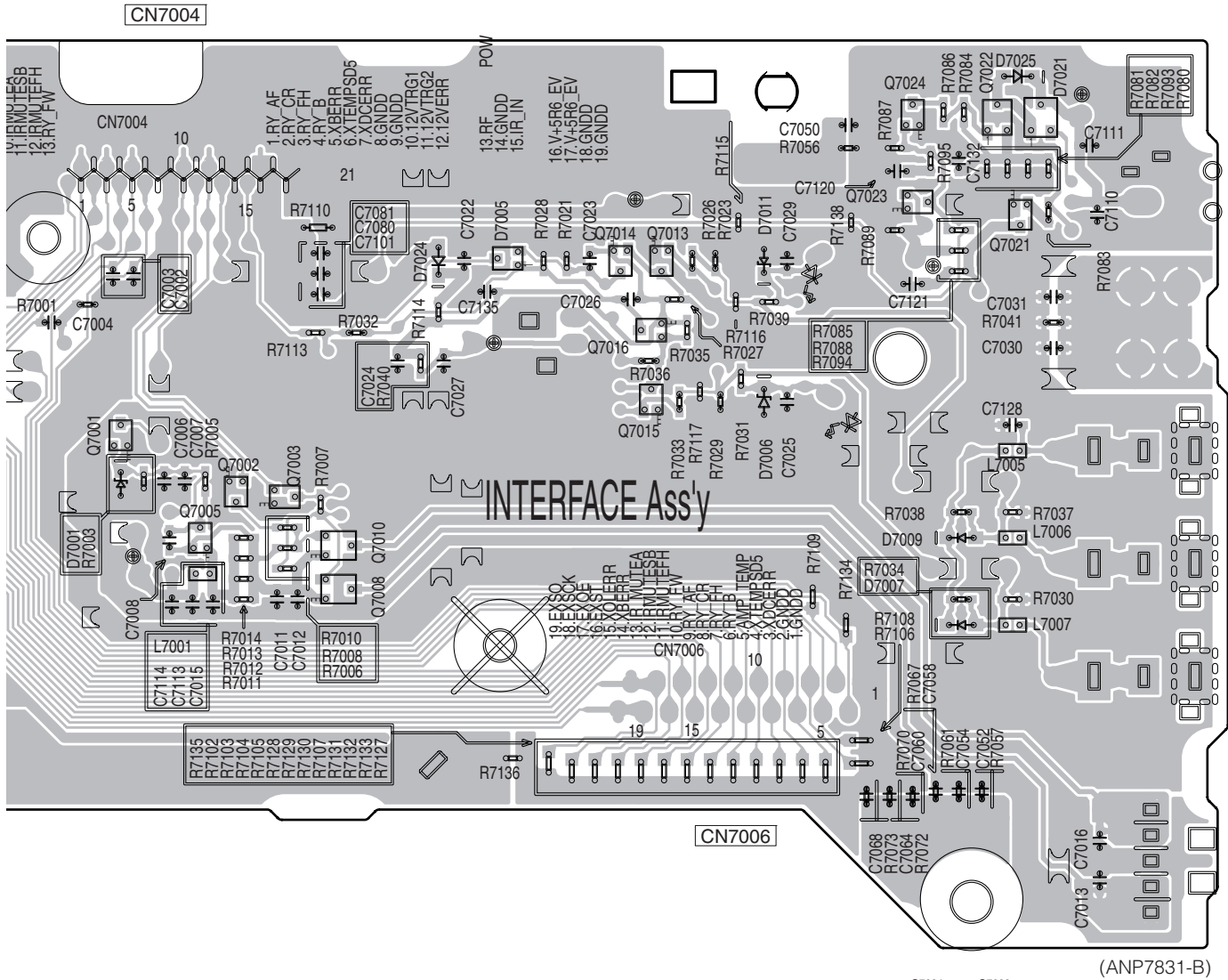
B

C

D

E

F



Q7001            Q7002    Q7003  
 Q7005            Q7010  
                   Q7008

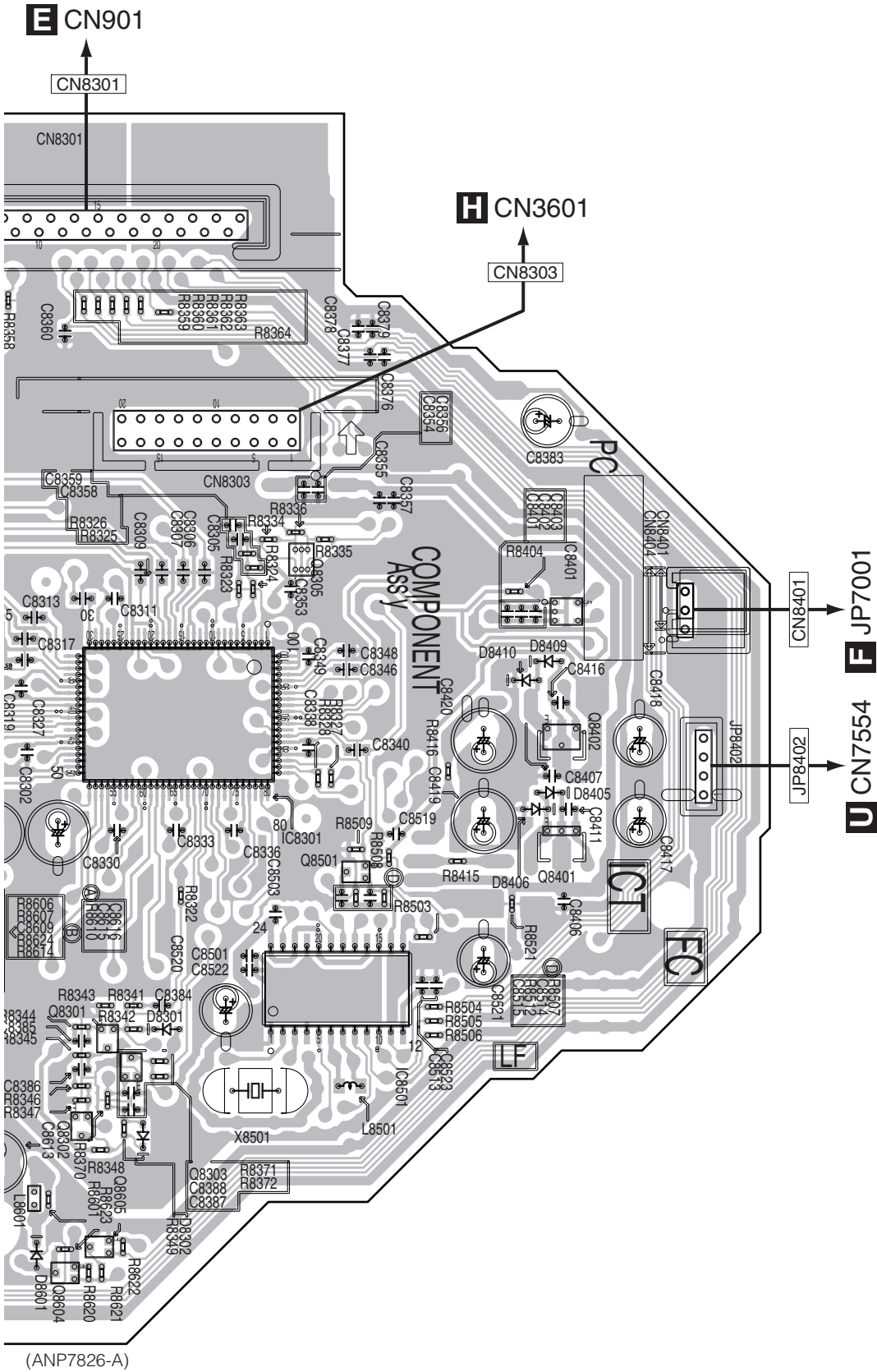
Q7014    Q7013  
 Q7016  
 Q7015

Q7024            Q7022  
 Q7023            Q7021









**SIDE B**

A

# **G COMPONENT ASSY**

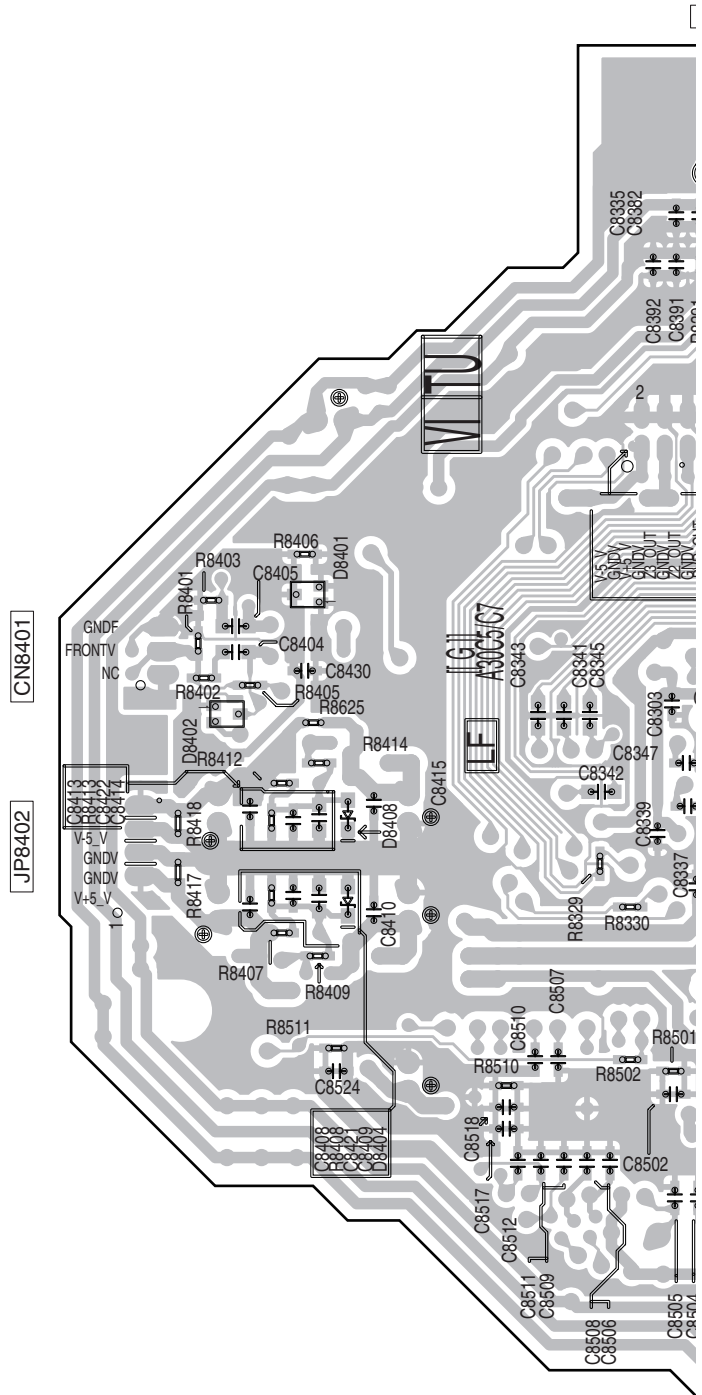
B

C

D

E

F



SIDE B

A

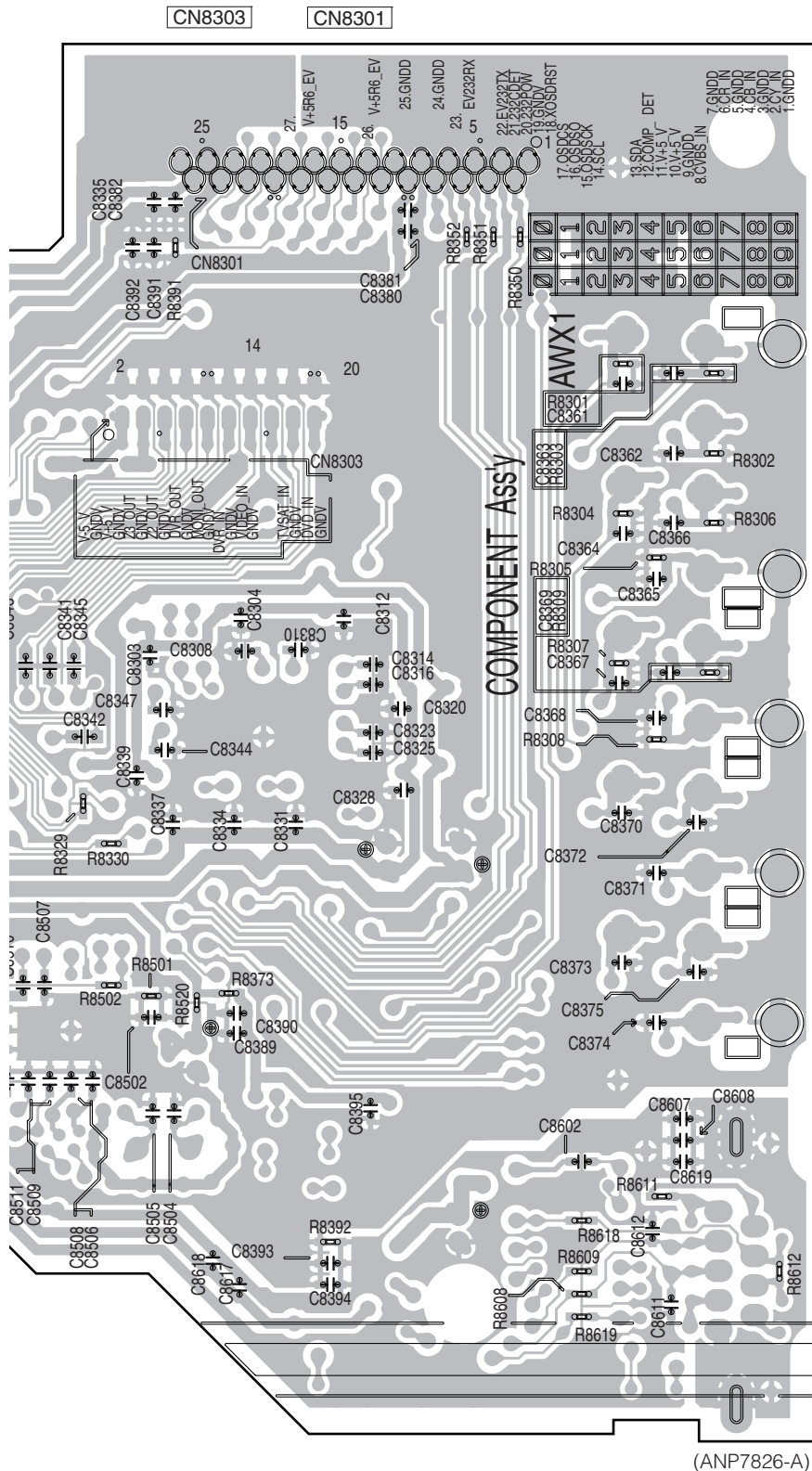
B

C

D

E

F



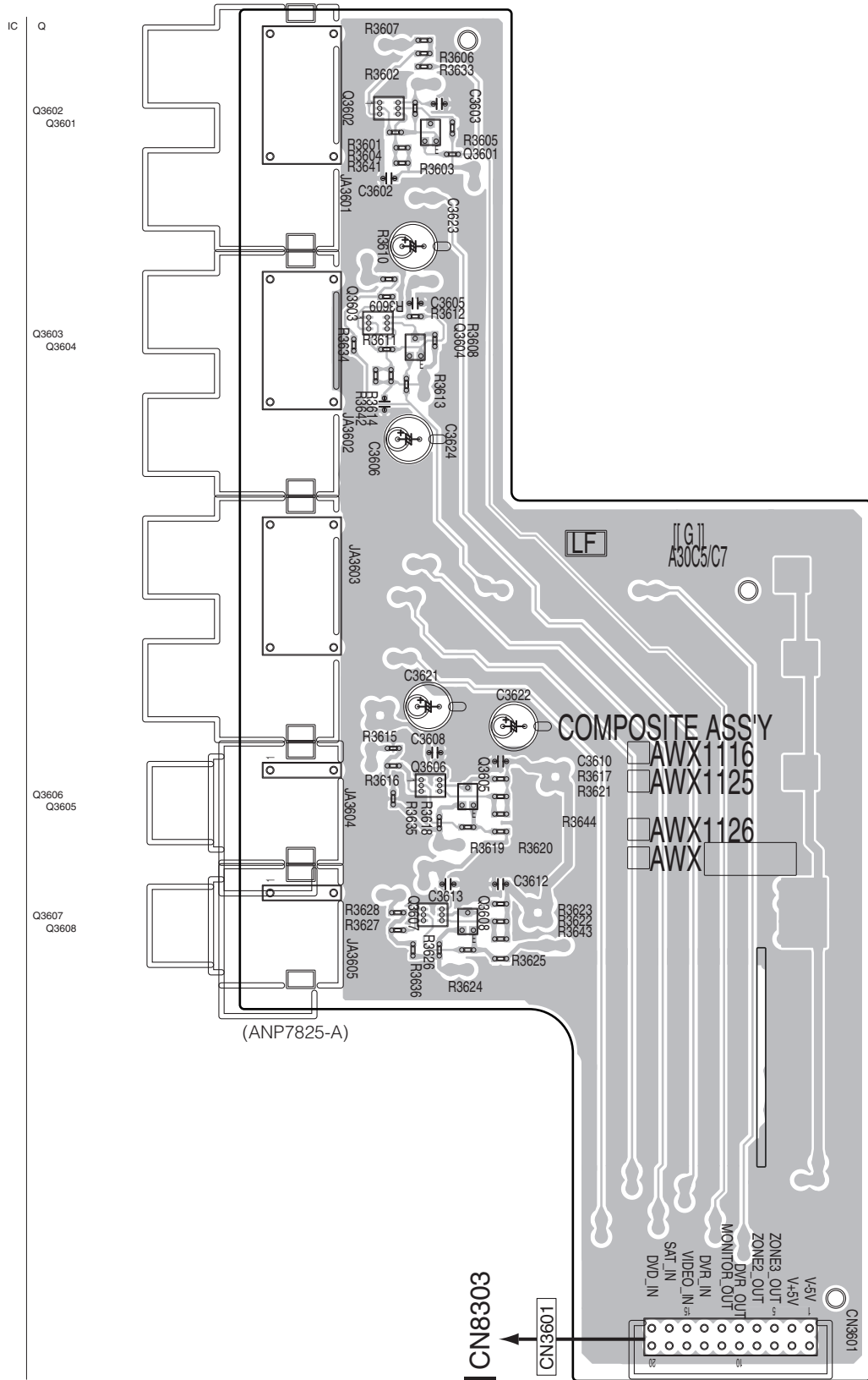
(ANP7826-A)

# 11.8 COMPOSITE ASSY

SIDE A

SIDE A

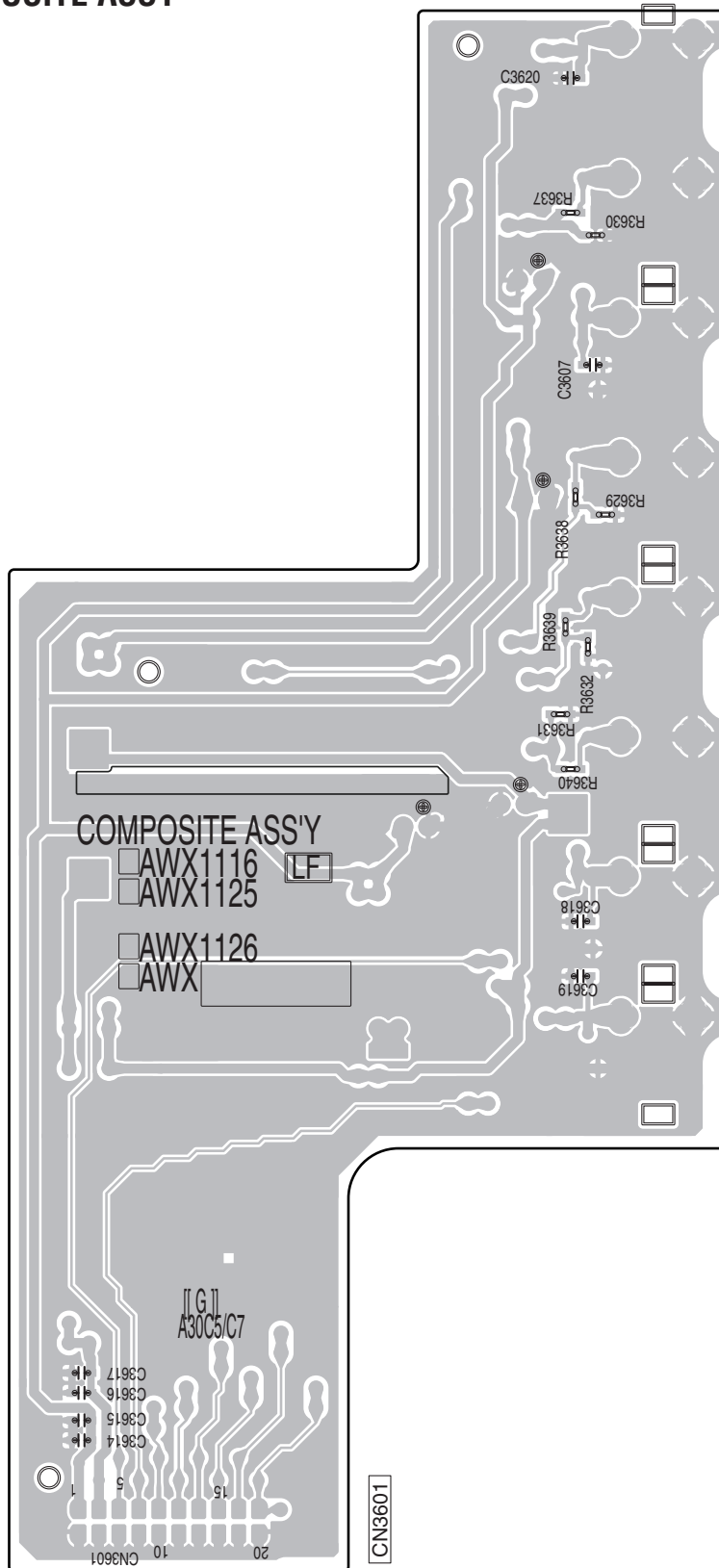
## H COMPOSITE ASSY



SIDE B

SIDE B

# H COMPOSITE ASSY



(ANP7825-A)

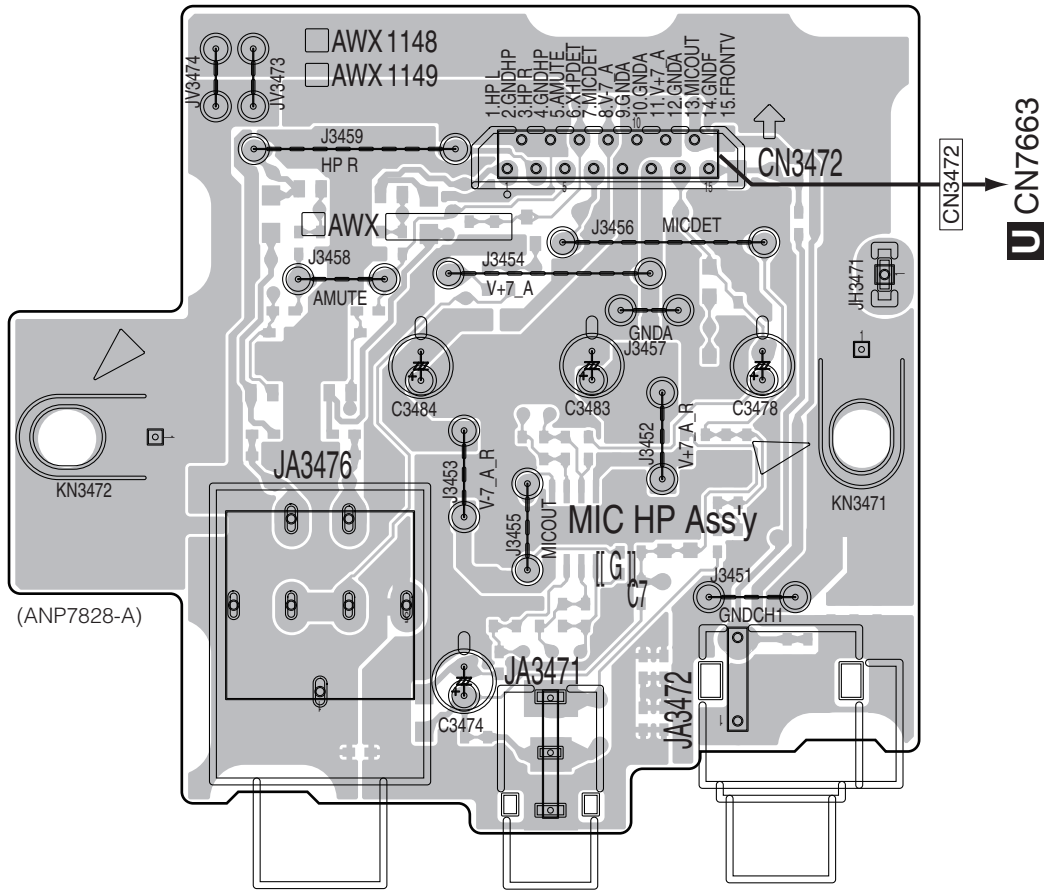


# 11.9 MIC HP ASSY

SIDE A

SIDE A

## MIC HP ASSY



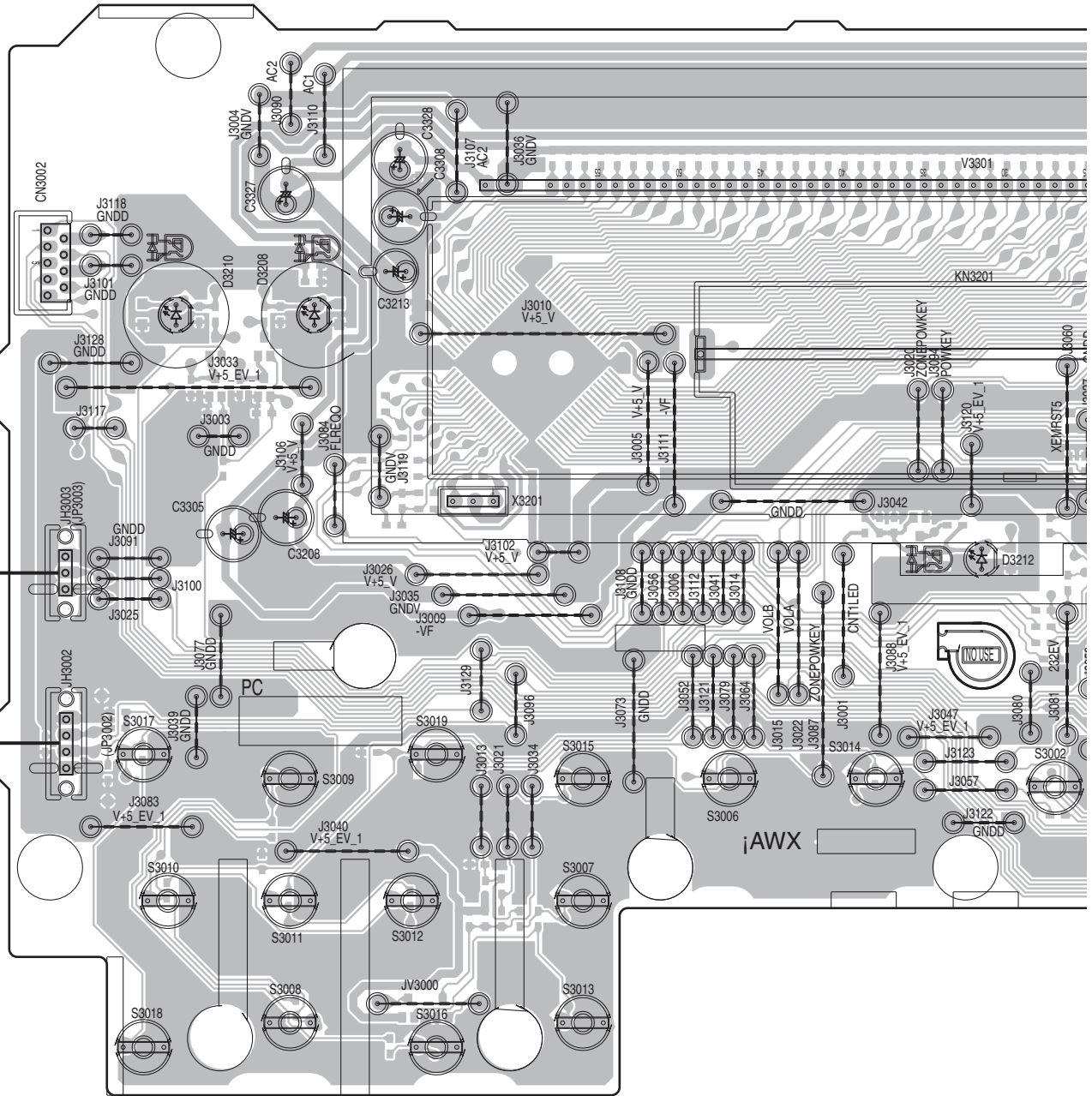




# 11.10 DISPLAY ASSY

**SIDE A**

## J DISPLAY ASSY

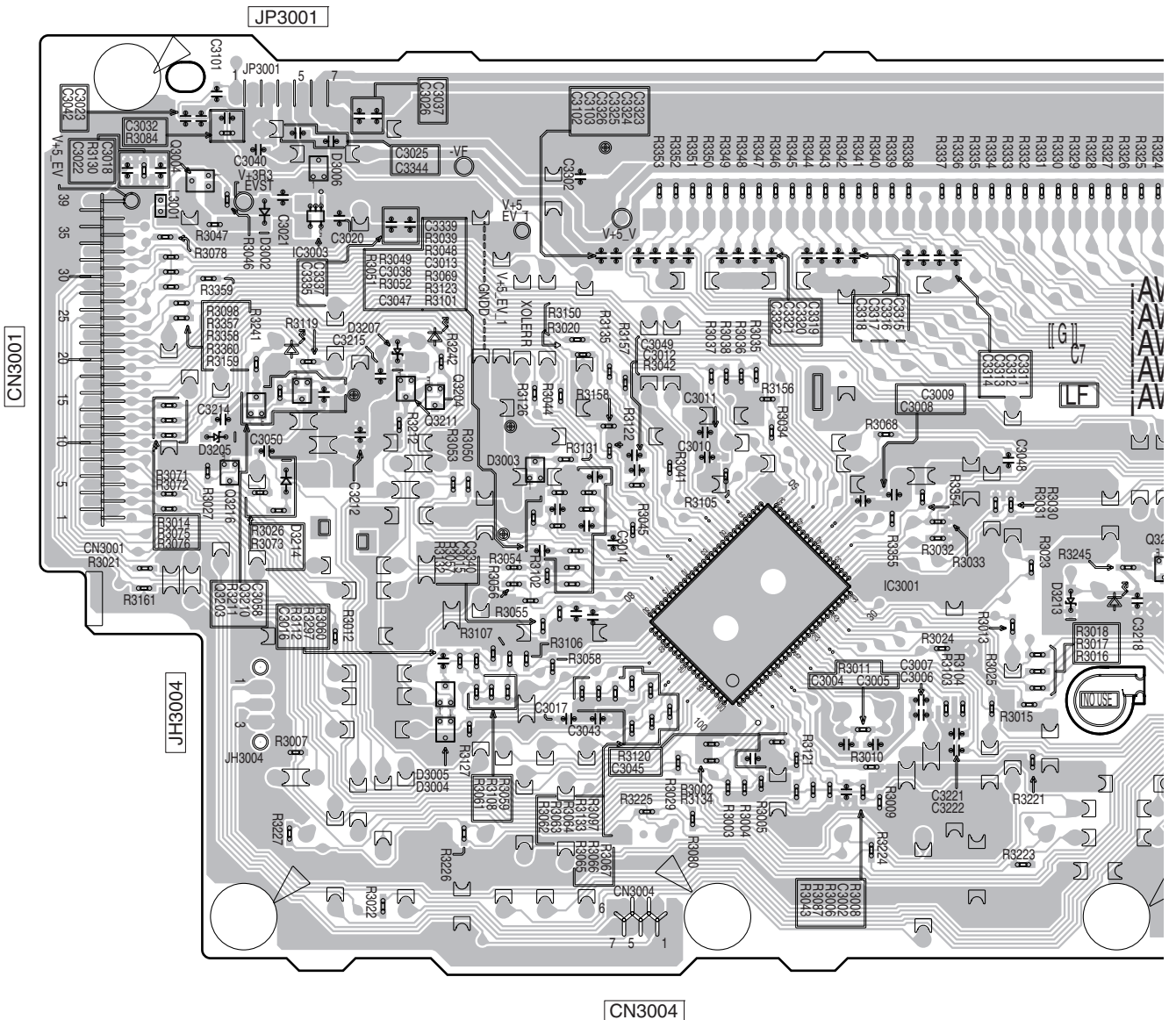


**J**



SIDE B

# J DISPLAY ASSY



CN3001

JH3004

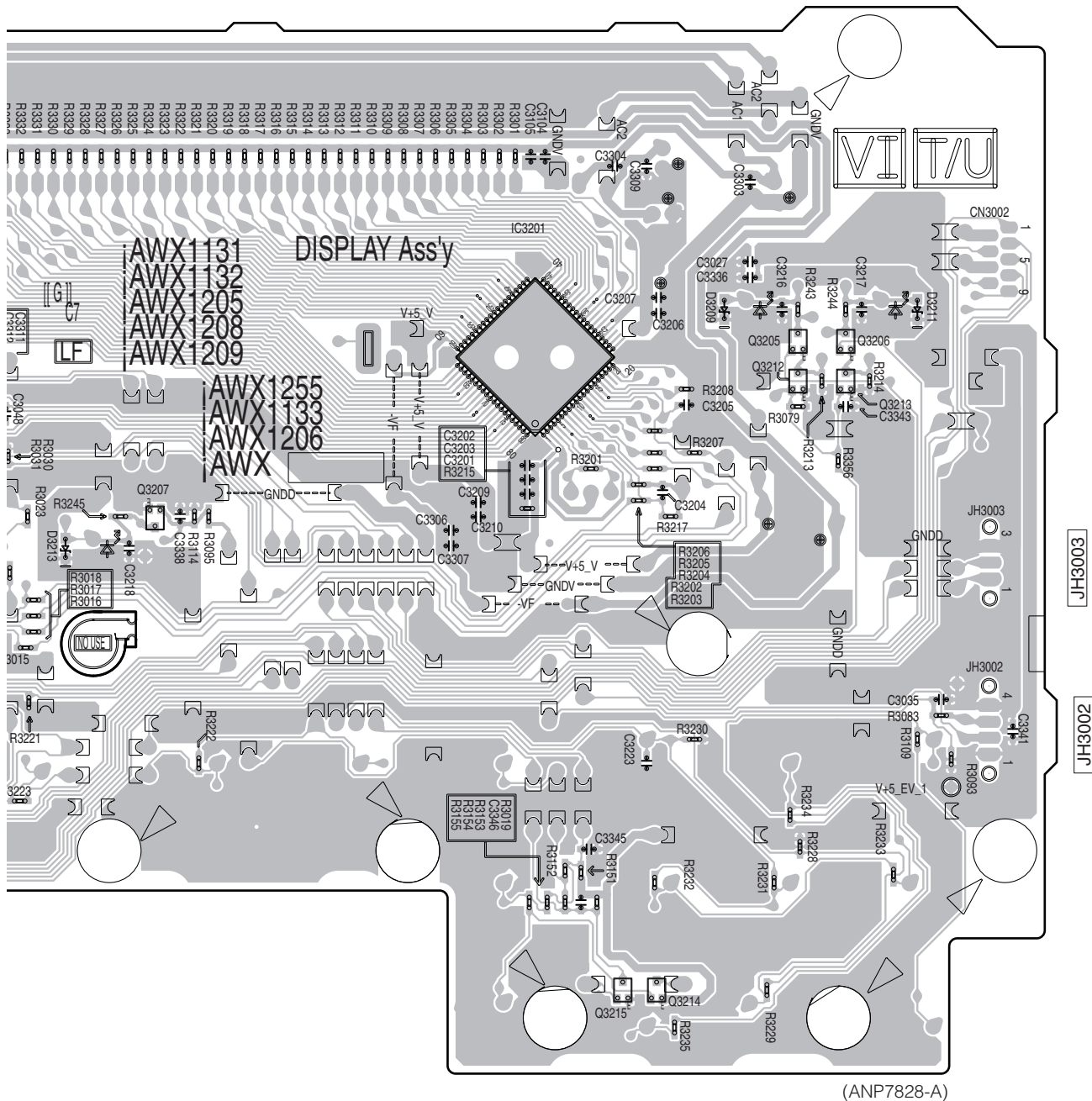
CN3004

Q3004  
 Q3216 Q3203 Q3210 Q3211 Q3204

IC IC3003 IC3001

# J

A  
B  
C  
D  
E  
F



(ANP7828-A)

- Q3205 Q3206
- Q3212 Q3213

IC3201 Q3215 Q3214

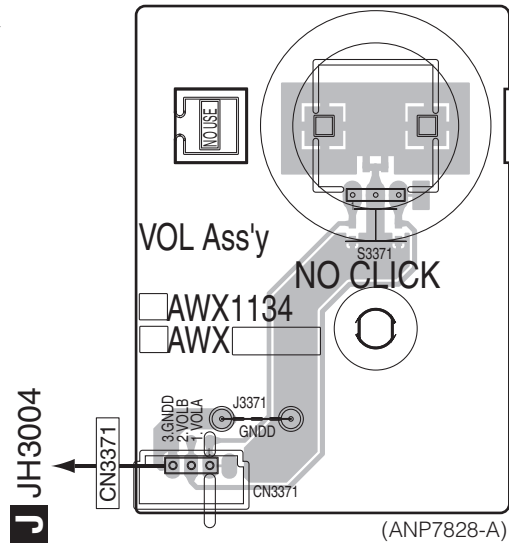
IC3201

# 11.11 VOL, POWER SW and ENCODER ASSYS

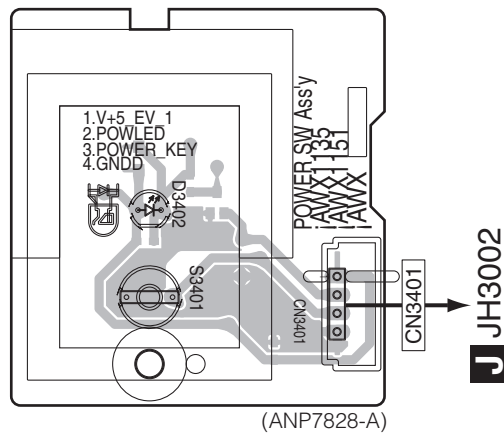
**SIDE A**

**SIDE A**

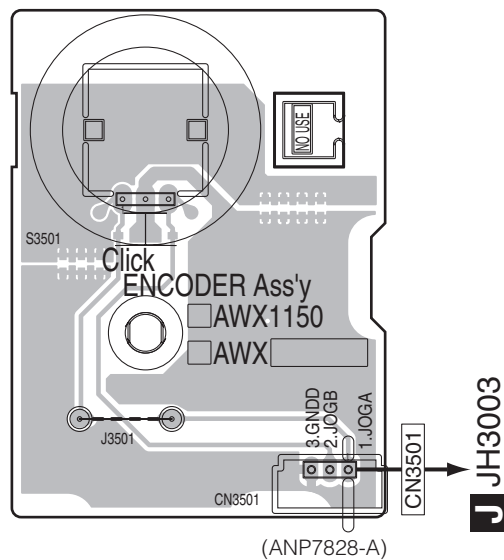
## **K** VOL ASSY



## **L** POWER SW ASSY



## **M** ENCODER ASSY



**K L M**

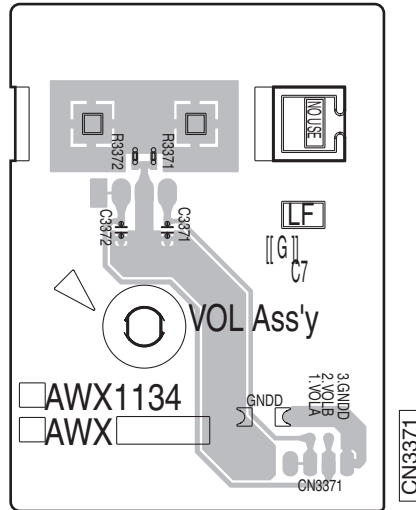
**K L M**



SIDE B

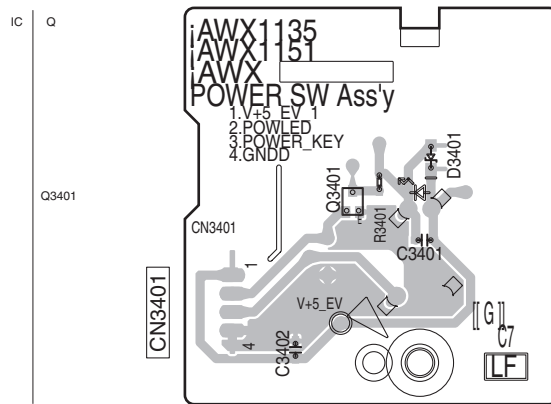
SIDE B

### K VOL ASSY



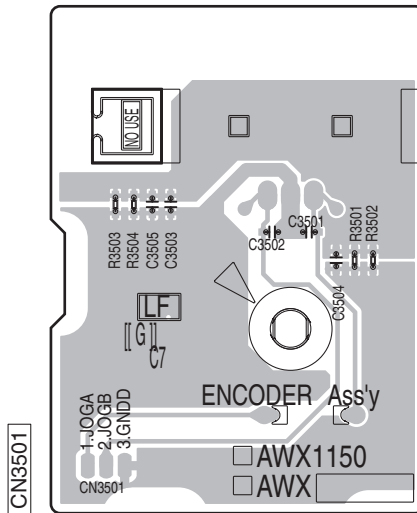
(ANP7828-A)

### L POWER SW ASSY



(ANP7828-A)

### M ENCODER ASSY



(ANP7828-A)

K L M

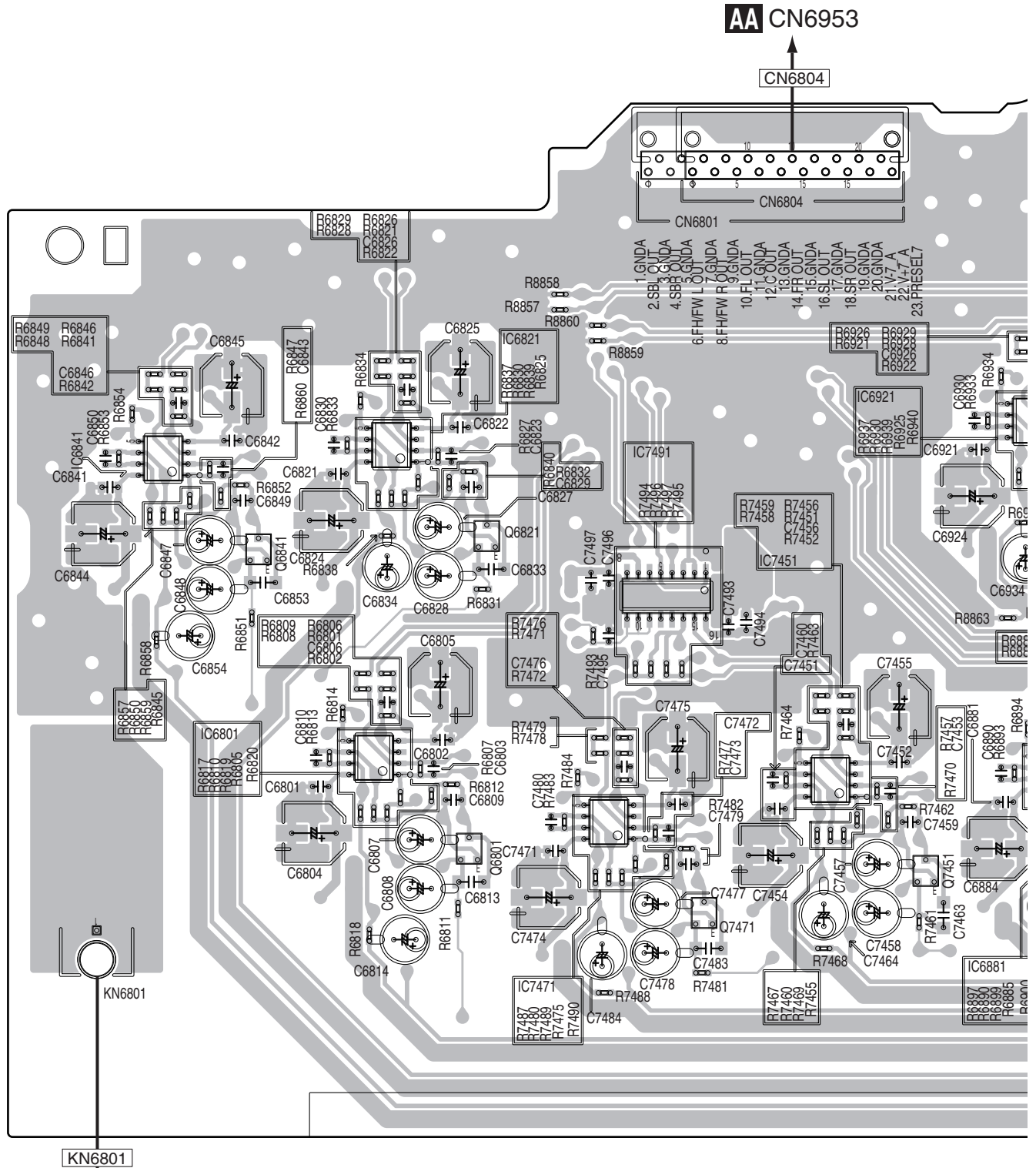
K L M



# 11.12 IR BUFFER ASSY

**SIDE A**

## **N** IR BUFFER ASSY



**N**

**O** KN6962





SIDE B

A

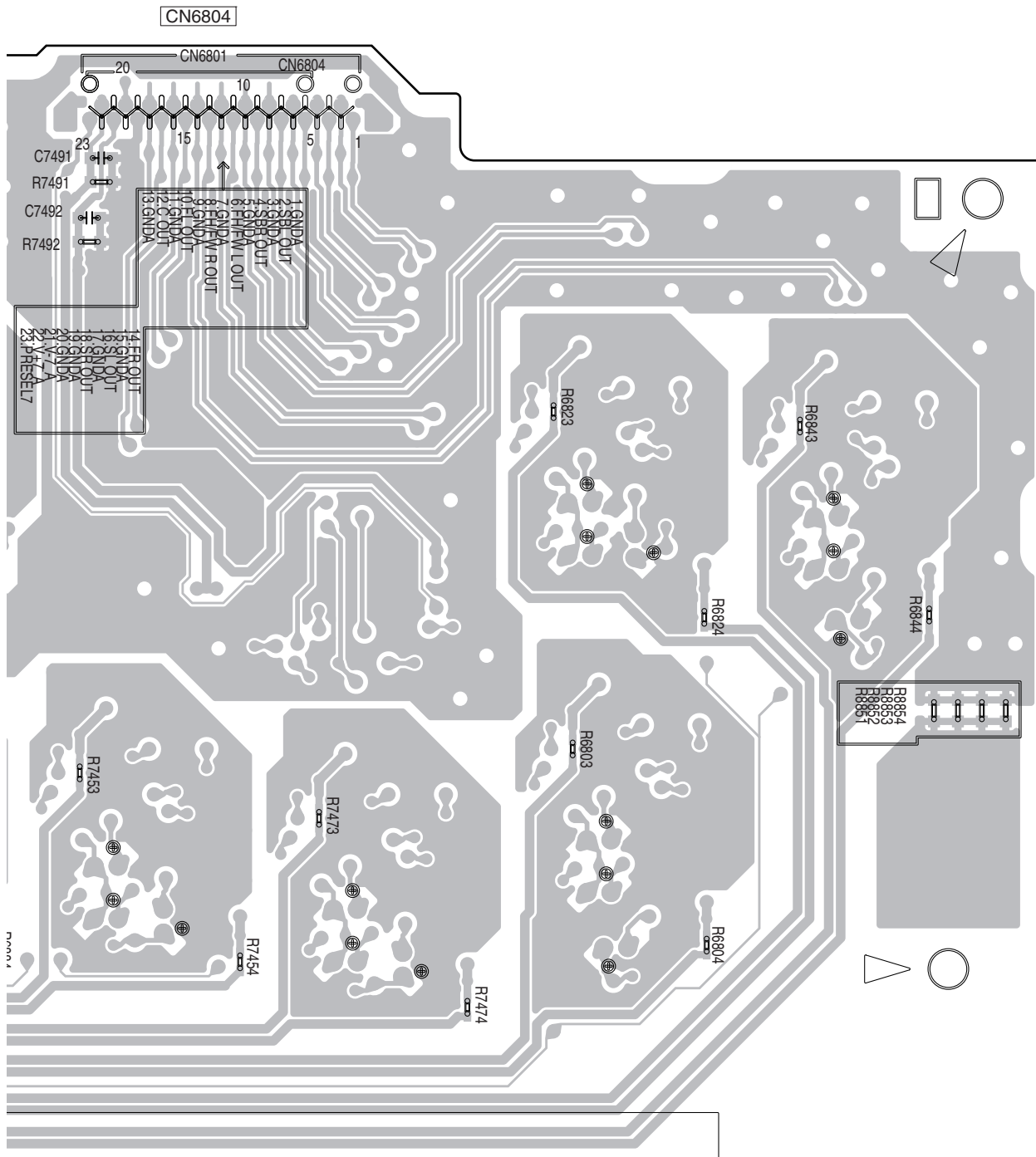
B

C

D

E

F



KN6801 (ANP7830-A)

SC-63



# 11.13 BUFFER GND ASSY and IR INTERFACE ASSY

SIDE A

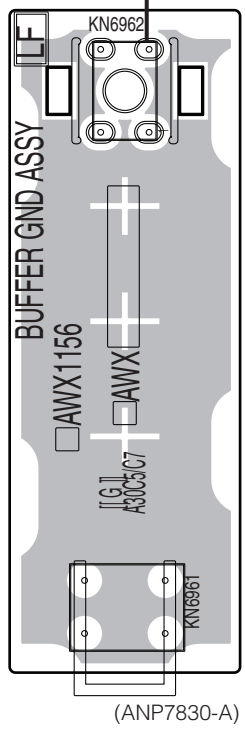
SIDE A

**P** IR INTERFACE ASSY

**O** BUFFER GND ASSY

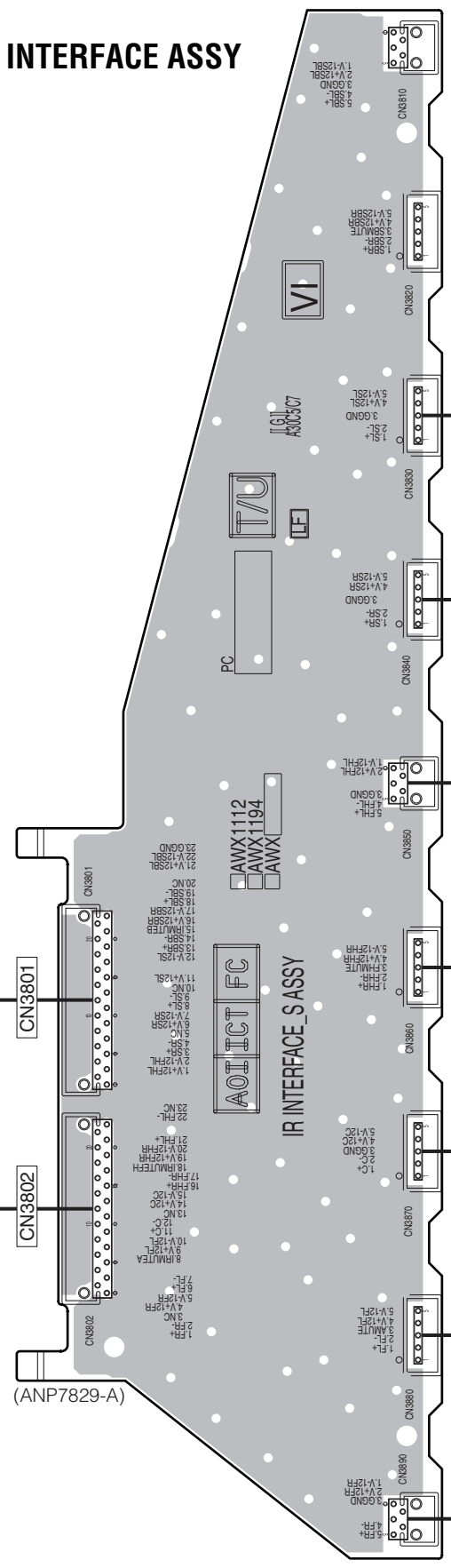
**N** KN6801

KN6962



**N** CN6802

**N** CN6803



**Q** CN4300

**Q** CN4400

**Q** CN4500

**Q** CN4600

**Q** CN4700

**Q** CN4100

**Q** CN4200

**O P**

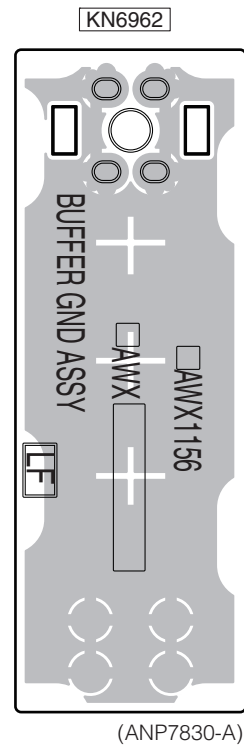
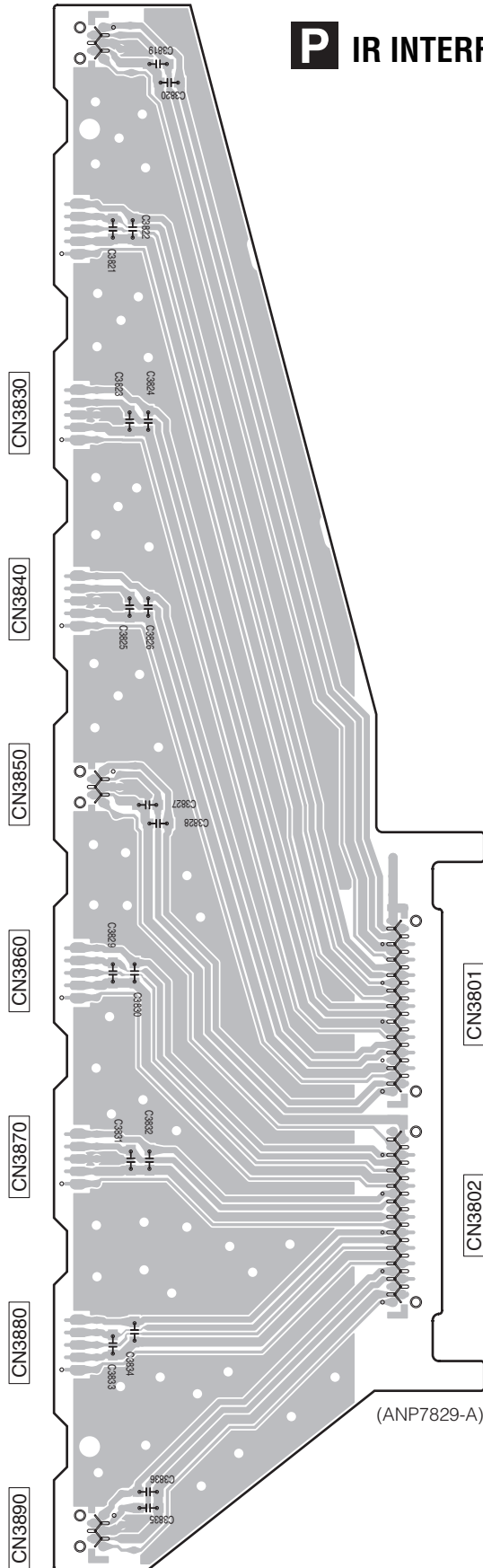
**O P**

SIDE B

SIDE B

# P IR INTERFACE ASSY

# O BUFFER GND ASSY



O P

O P

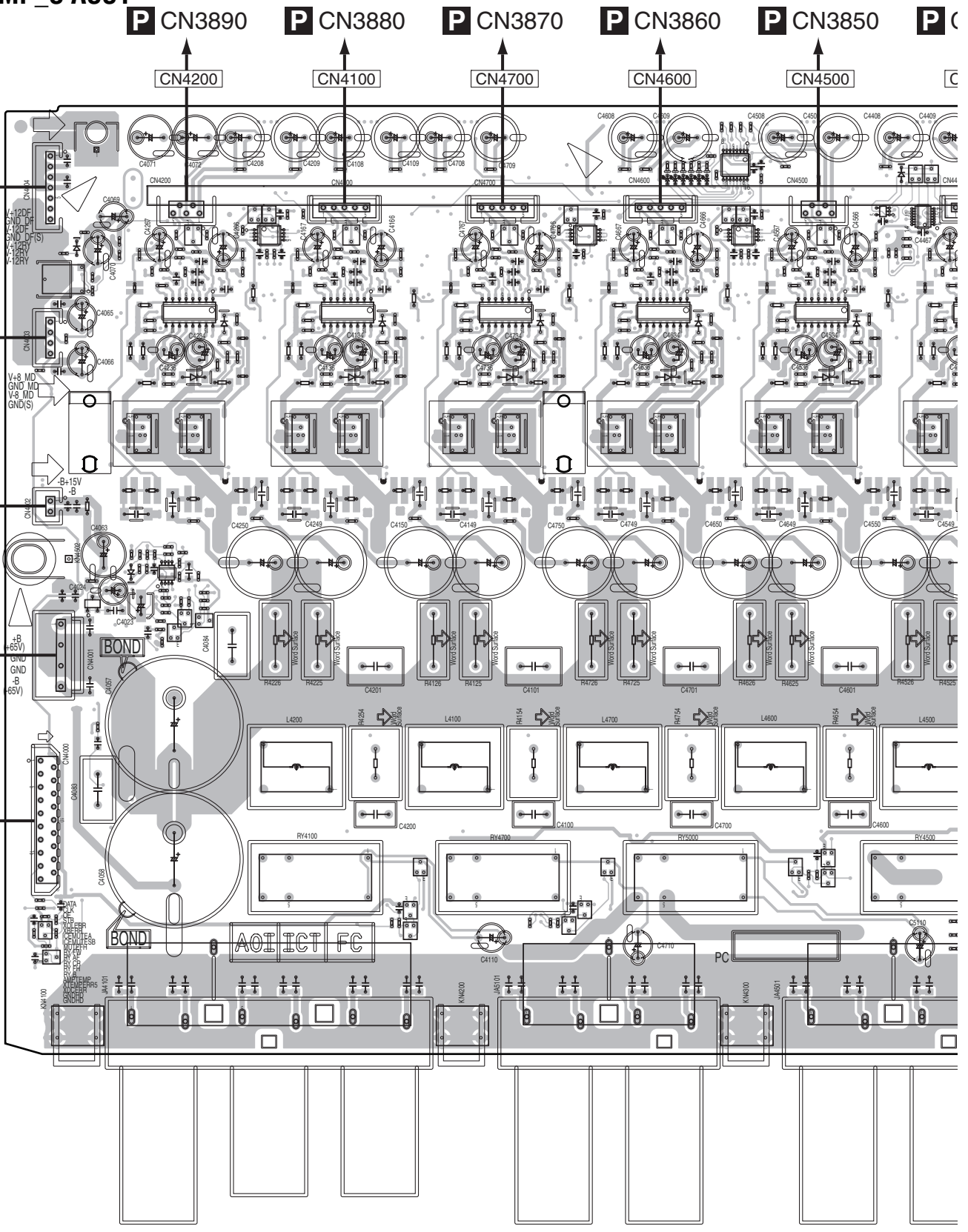


# 11.14 D-AMP\_S ASSY

**SIDE A**

**Q D-AMP\_S ASSY**

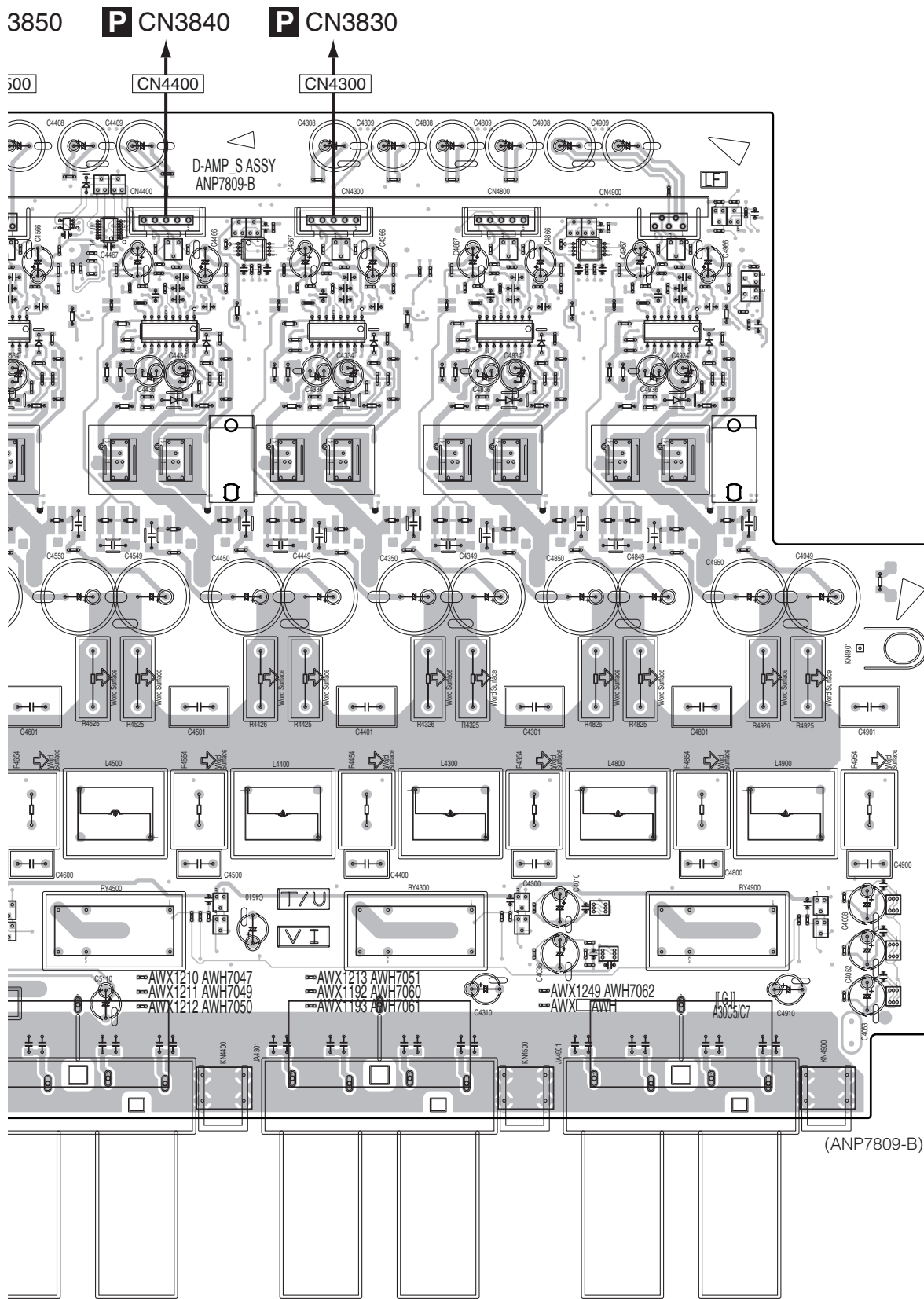
A  
B  
C  
D  
E  
F





SIDE A

A  
B  
C  
D  
E  
F



(ANP7809-B)

SC-63



1

2

3

4

**SIDE B**

A

**Q** D-AMP\_S ASSY

B

C

D

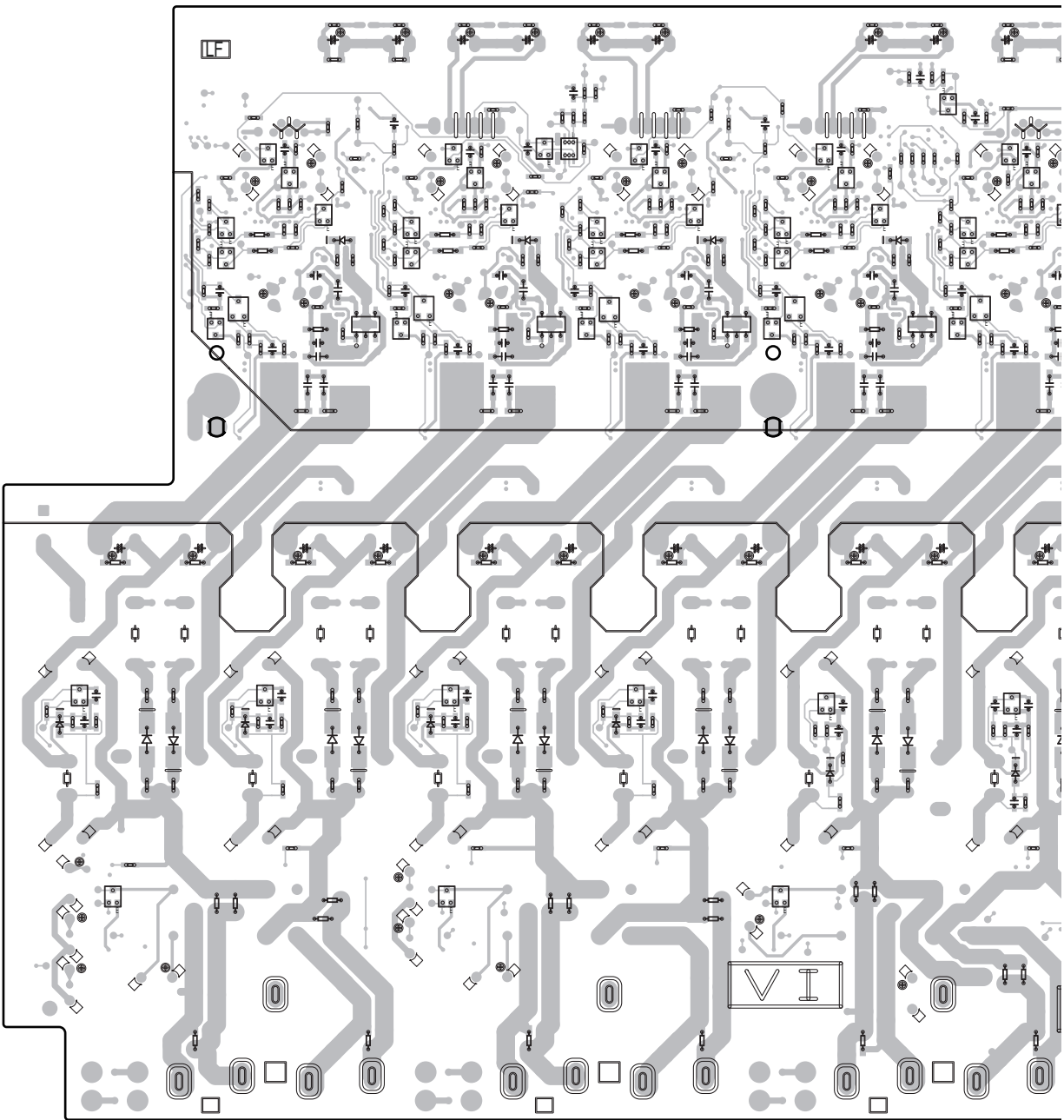
E

F

CN4300

CN4400

CN4500



220

1

2

3

4

SC-63

**SIDE B**

A

B

C

D

E

F

CN4500

CN4600

CN4700

CN4100

CN4200

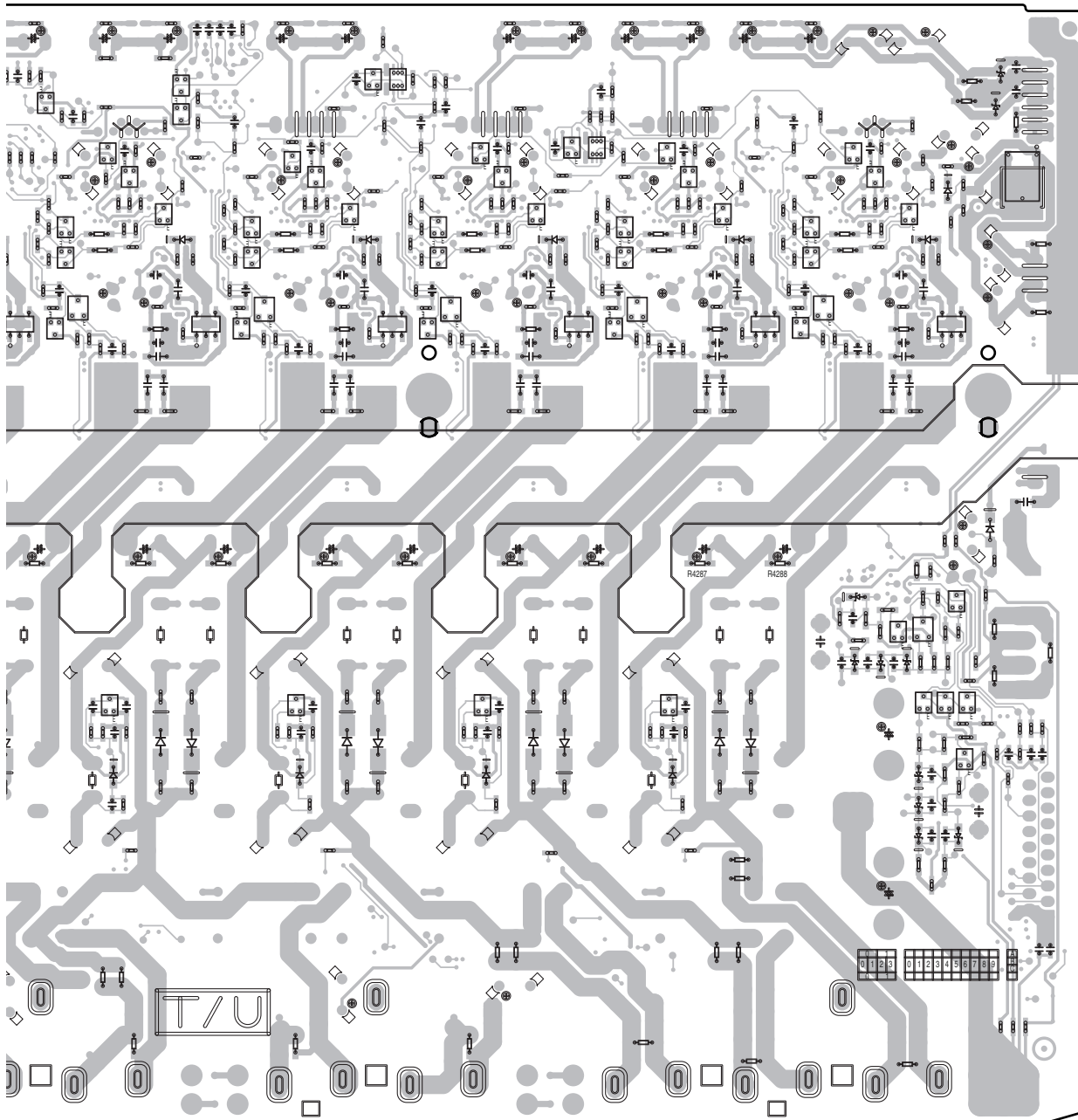
CN4004

CN4003

CN4002

CN4001

CN4000



(ANP7809-B)

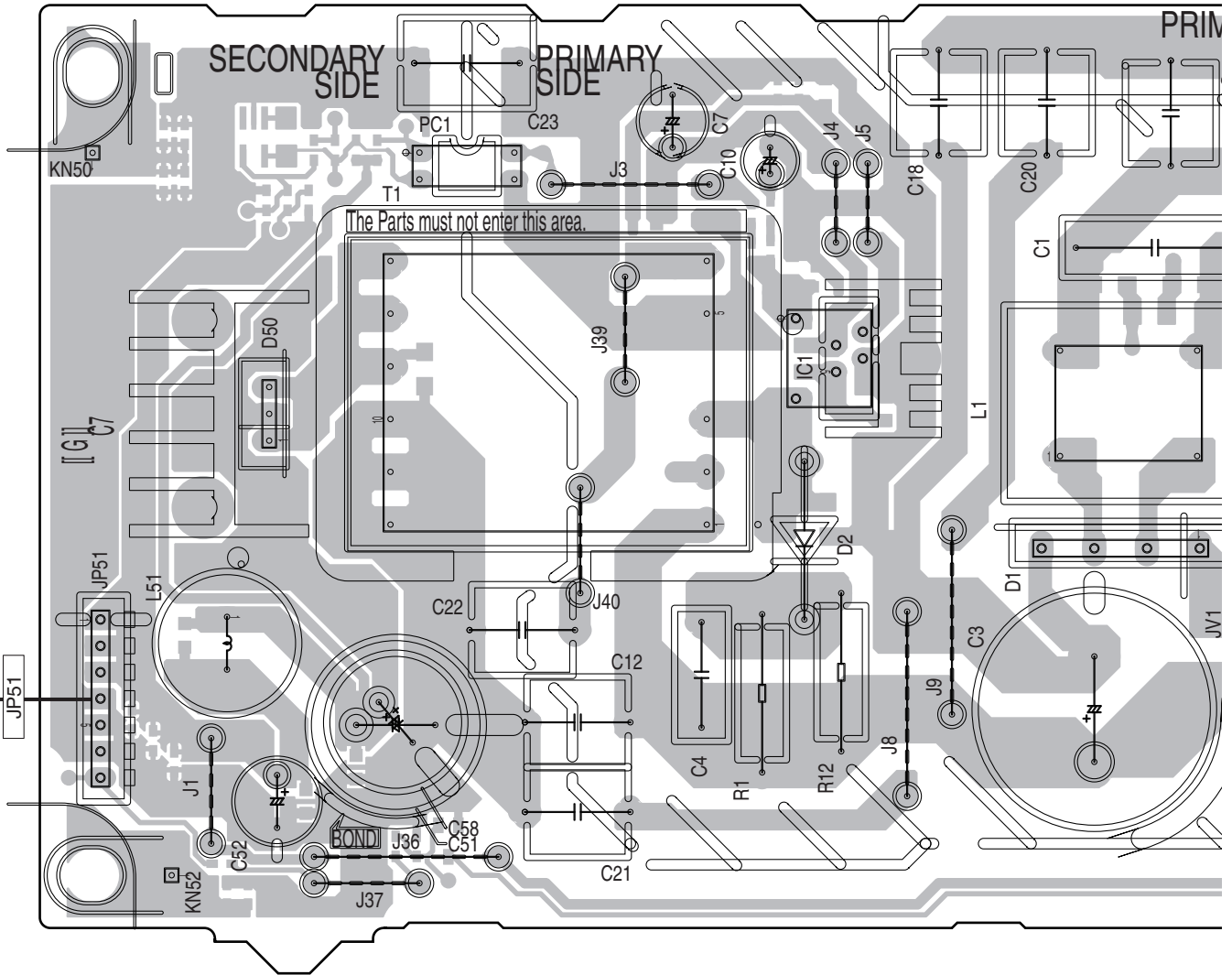
SC-63



11.15 PRIMARY ASSY

SIDE A

R PRIMARY ASSY



E CN9501

Q

IC

IC1

R

222

SC-63



**SIDE B**

A

**R PRIMARY ASSY**

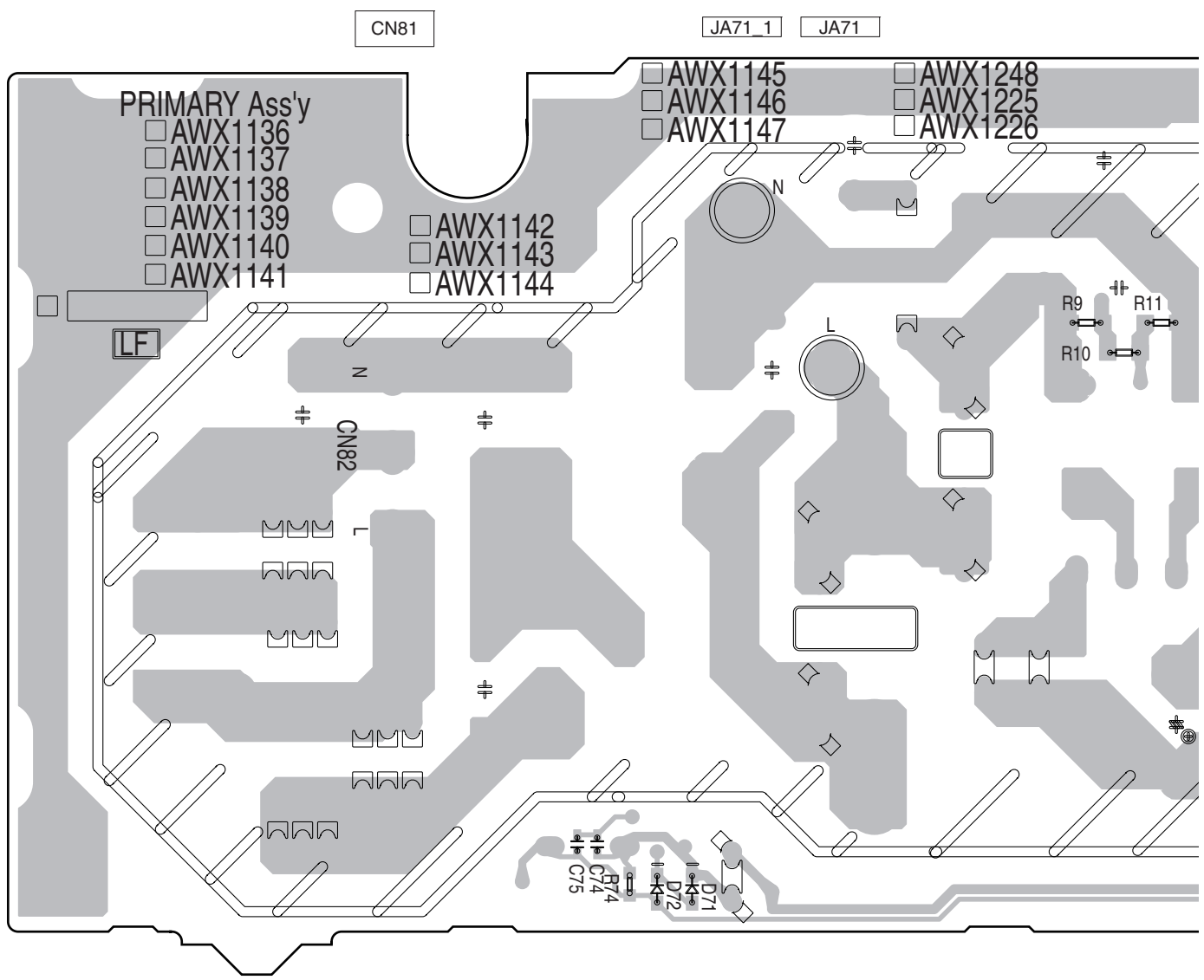
B

C

D

E

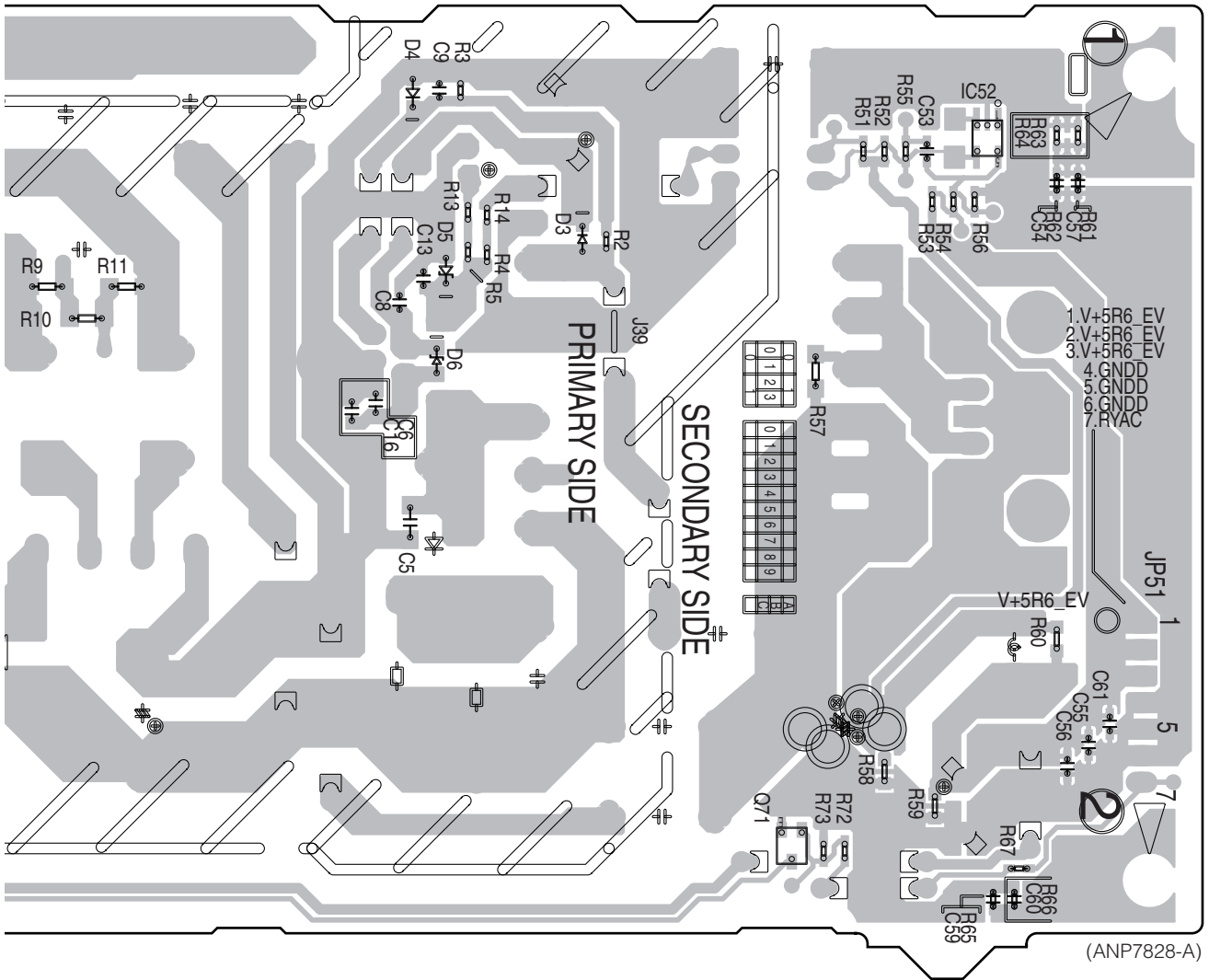
F



Q  
IC

**SIDE B**

A  
B  
C  
D  
E  
F



Q71

IC52

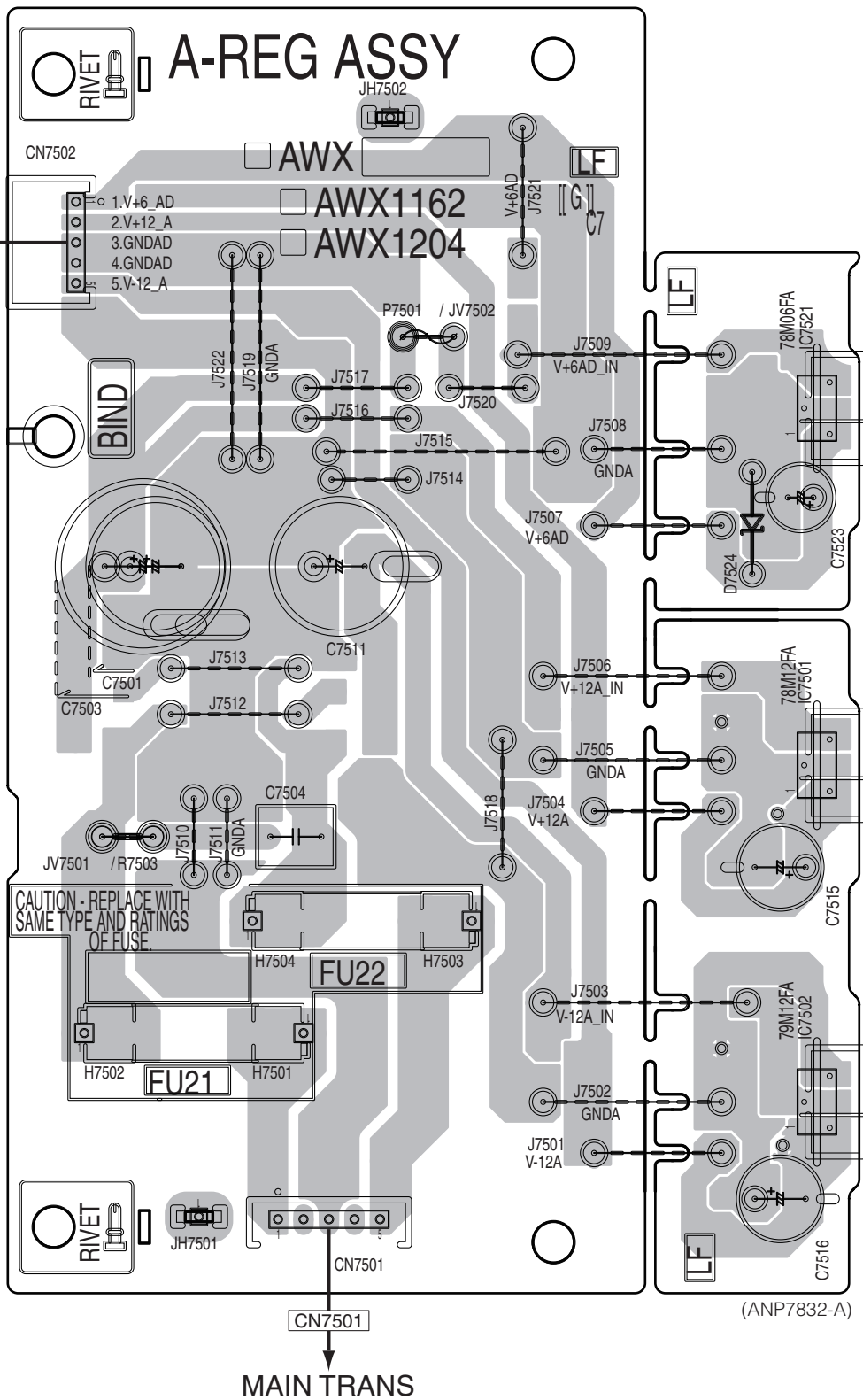


# 11.16 A-REG ASSY

SIDE A

SIDE A

## S A-REG ASSY



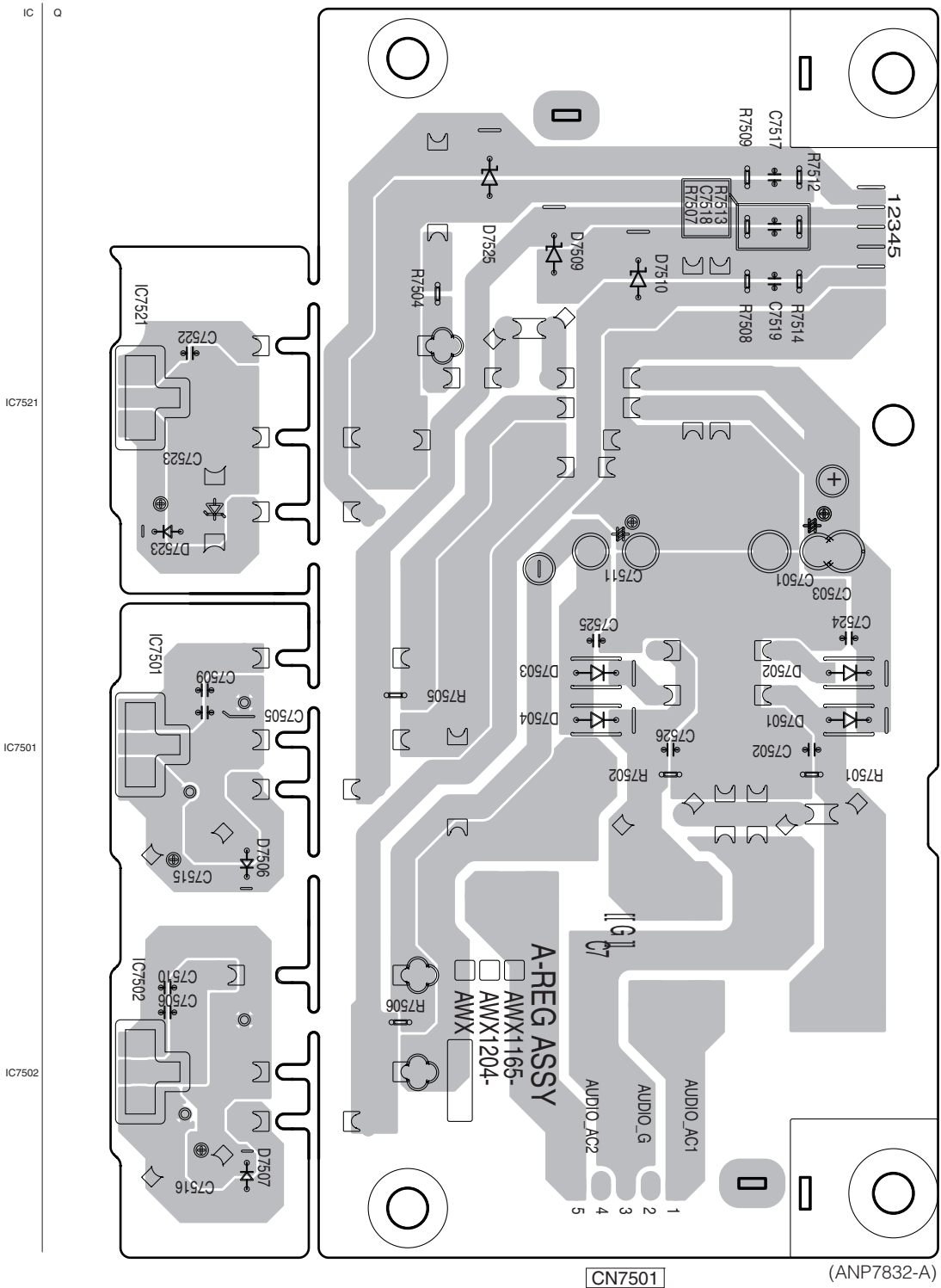
S

S

SIDE B

SIDE B

# S A-REG ASSY



IC 0  
IC7521  
IC7501  
IC7502

A  
B  
C  
D  
E  
F

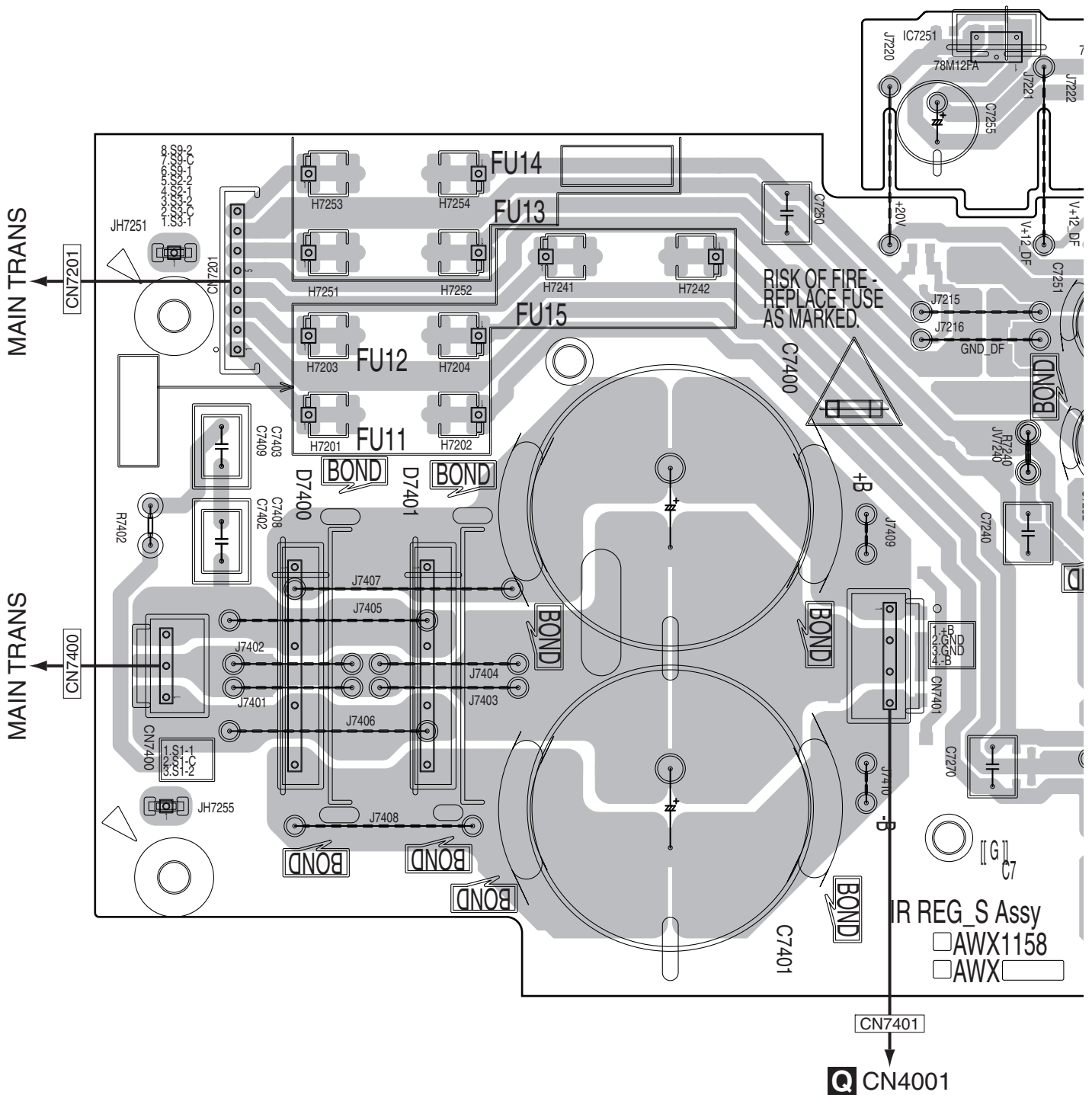
S

S

11.17 IR REG ASSY

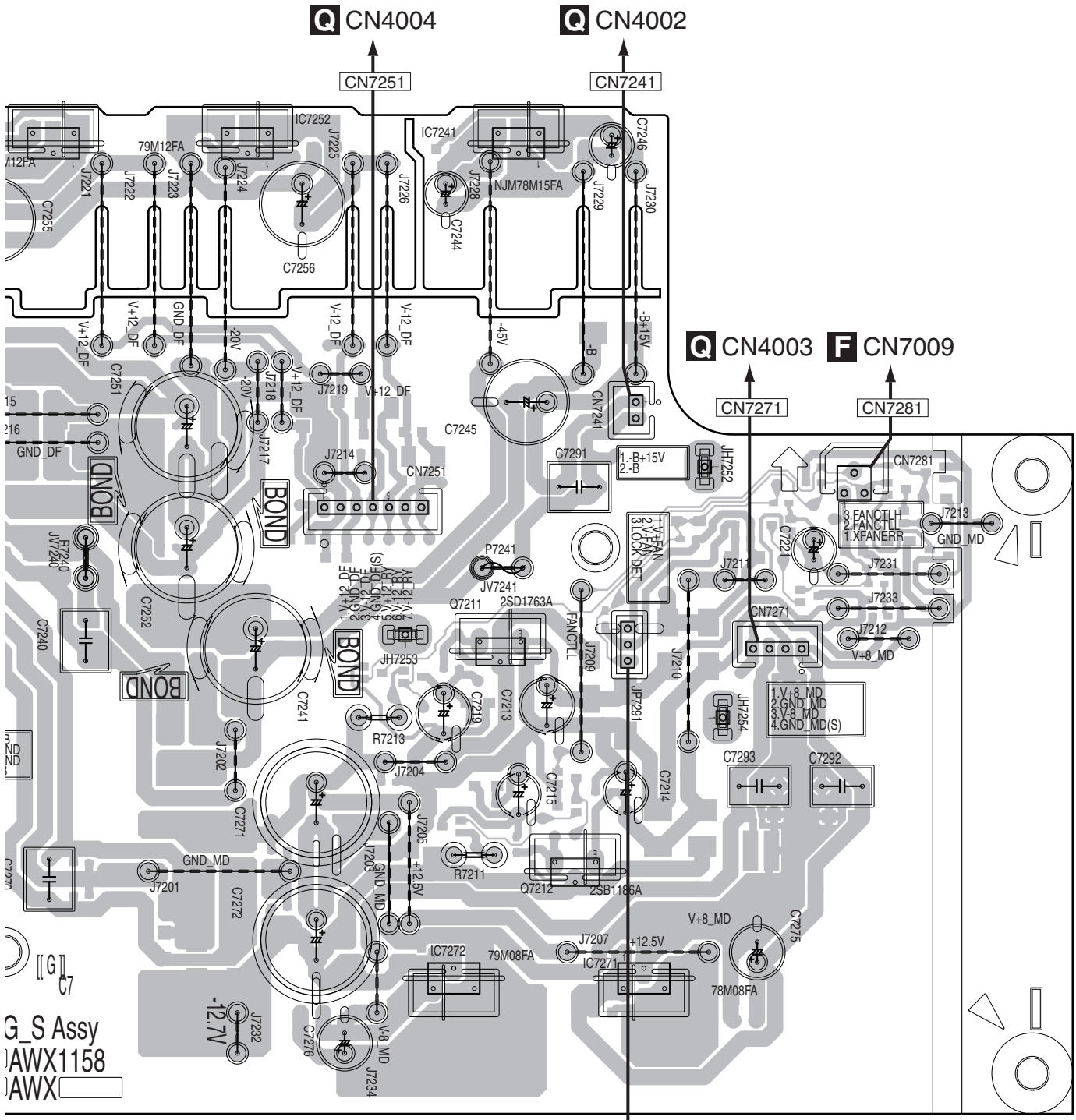
SIDE A

IR REG ASSY



T

A  
B  
C  
D  
E  
F



G\_S Assy  
AWX1158  
AWX

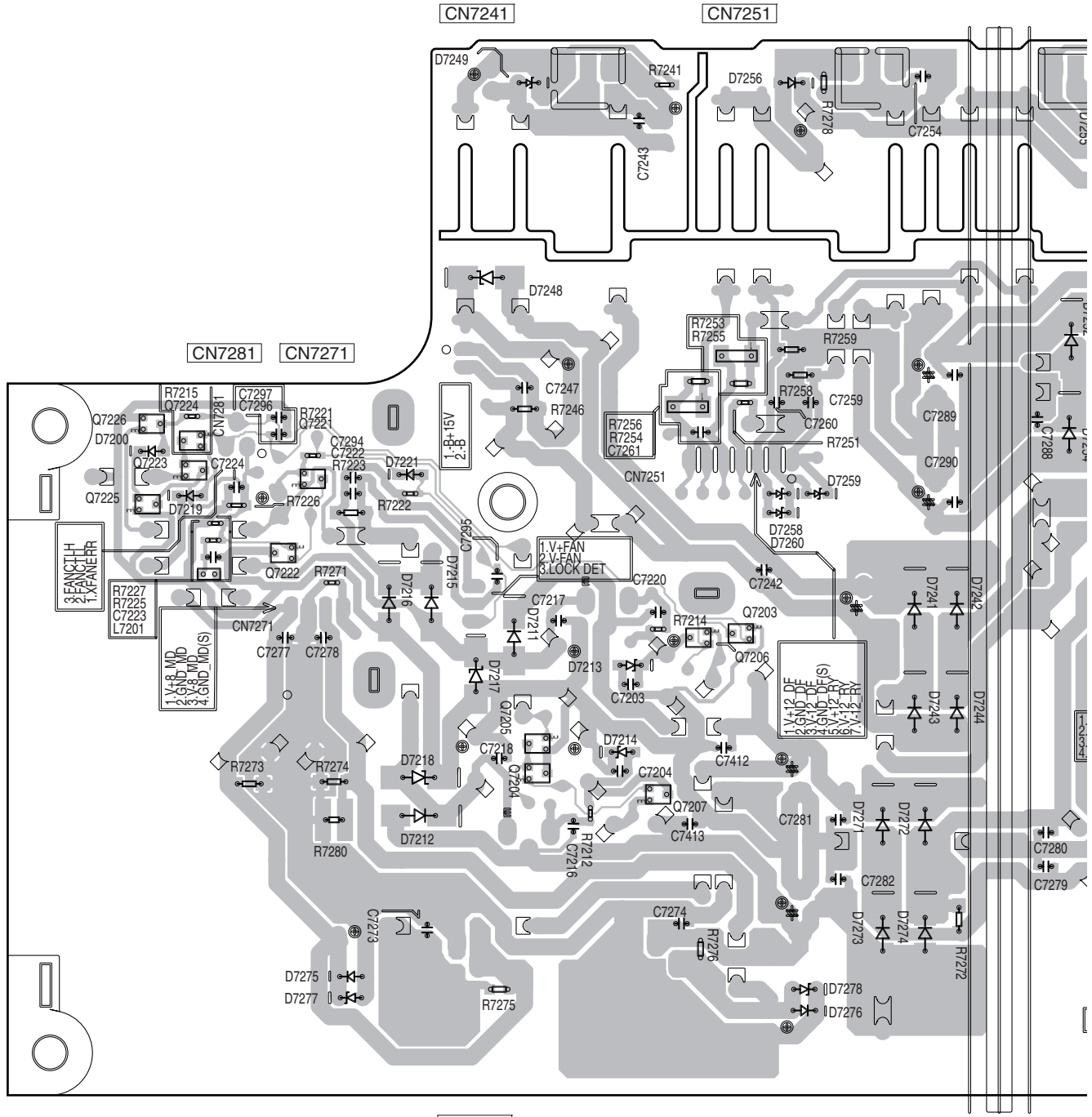
(ANP7831-B)

AB CN3651

IC7251 IC7252 IC7241 IC7271  
 IC7272 IC7273 IC7274 IC7275 IC7276 IC7277 IC7278 IC7279 IC7280 IC7281 IC7282 IC7283 IC7284 IC7285 IC7286 IC7287 IC7288 IC7289 IC7290 IC7291 IC7292 IC7293 IC7294 IC7295 IC7296 IC7297 IC7298 IC7299 IC7300 IC7301 IC7302 IC7303 IC7304 IC7305 IC7306 IC7307 IC7308 IC7309 IC7310 IC7311 IC7312 IC7313 IC7314 IC7315 IC7316 IC7317 IC7318 IC7319 IC7320 IC7321 IC7322 IC7323 IC7324 IC7325 IC7326 IC7327 IC7328 IC7329 IC7330 IC7331 IC7332 IC7333 IC7334 IC7335 IC7336 IC7337 IC7338 IC7339 IC7340 IC7341 IC7342 IC7343 IC7344 IC7345 IC7346 IC7347 IC7348 IC7349 IC7350 IC7351 IC7352 IC7353 IC7354 IC7355 IC7356 IC7357 IC7358 IC7359 IC7360 IC7361 IC7362 IC7363 IC7364 IC7365 IC7366 IC7367 IC7368 IC7369 IC7370 IC7371 IC7372 IC7373 IC7374 IC7375 IC7376 IC7377 IC7378 IC7379 IC7380 IC7381 IC7382 IC7383 IC7384 IC7385 IC7386 IC7387 IC7388 IC7389 IC7390 IC7391 IC7392 IC7393 IC7394 IC7395 IC7396 IC7397 IC7398 IC7399 IC7400

**SIDE B**

**T** IR REG ASSY



Q7226	Q7224	Q7221	Q7205	Q7206 Q7203
Q7225	Q7223	Q7222	Q7204	Q7207

IC

**T**

SIDE B

A

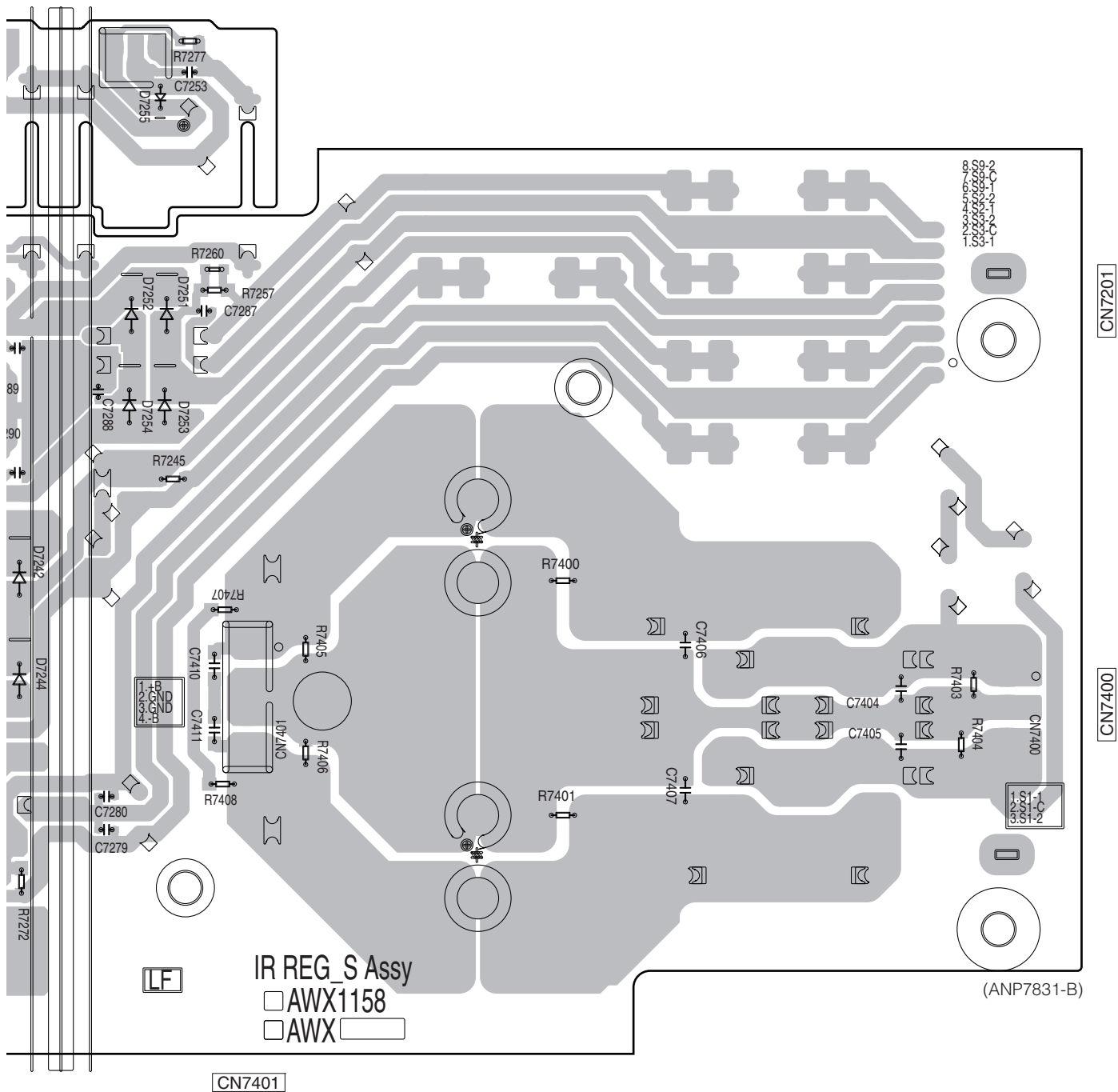
B

C

D

E

F

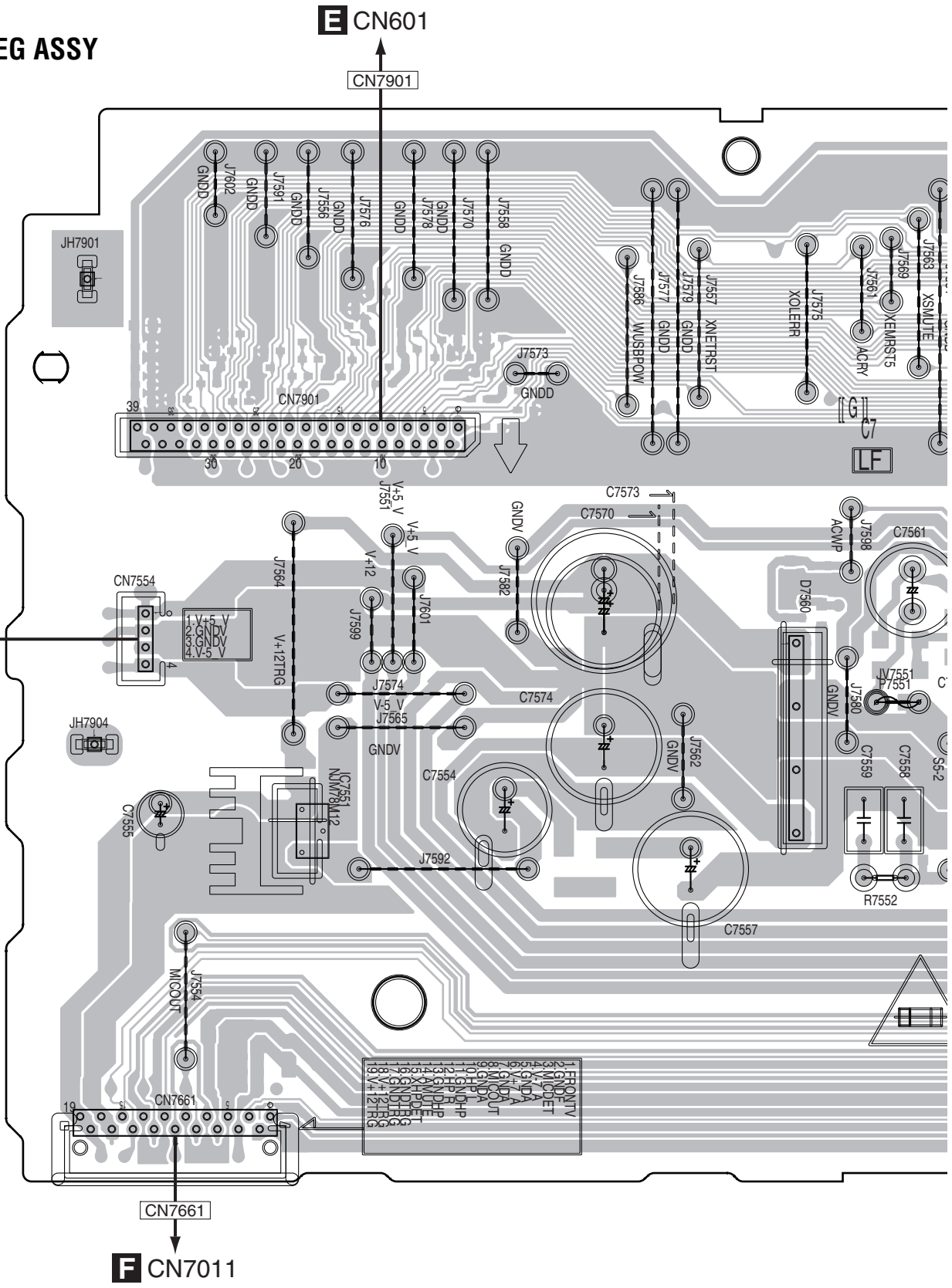


# 11.18 V-REG ASSY

**SIDE A**

## **U** V-REG ASSY

A  
B  
C  
D  
E  
F



Q  
IC

IC7551

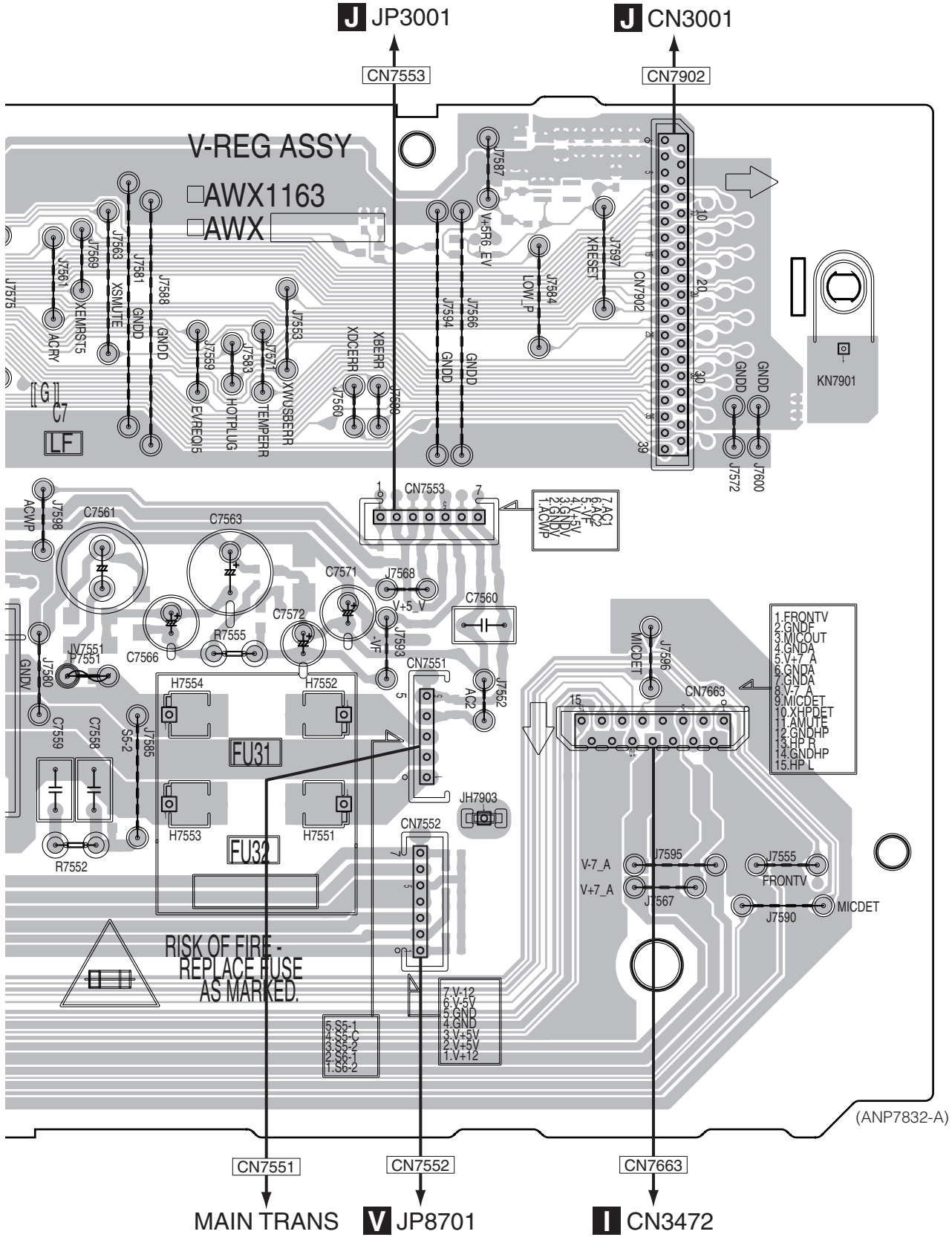
SC-63





**SIDE A**

A  
B  
C  
D  
E  
F



SC-63



**SIDE B**

A

**U V-REG ASSY**

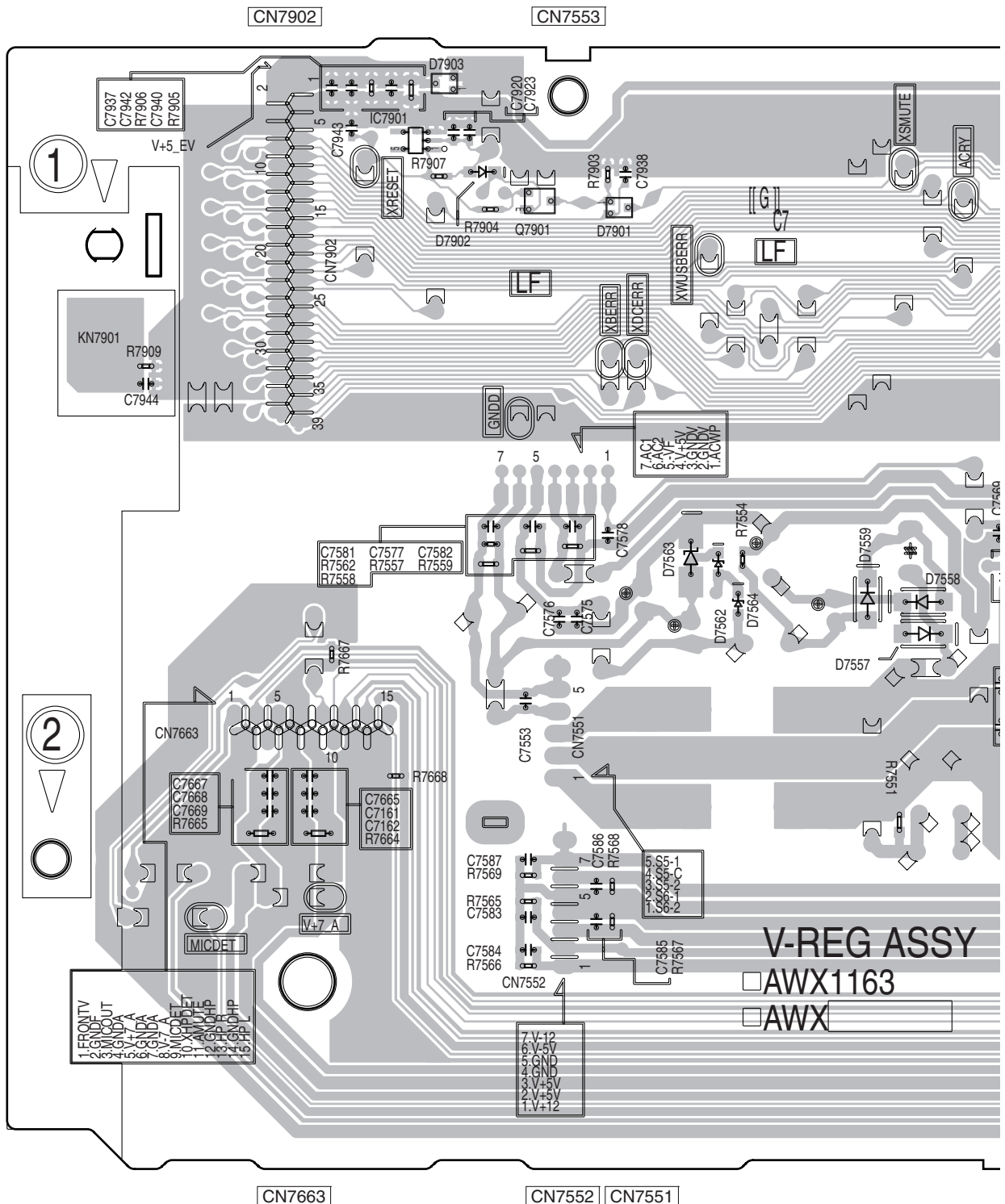
B

C

D

E

F



Q

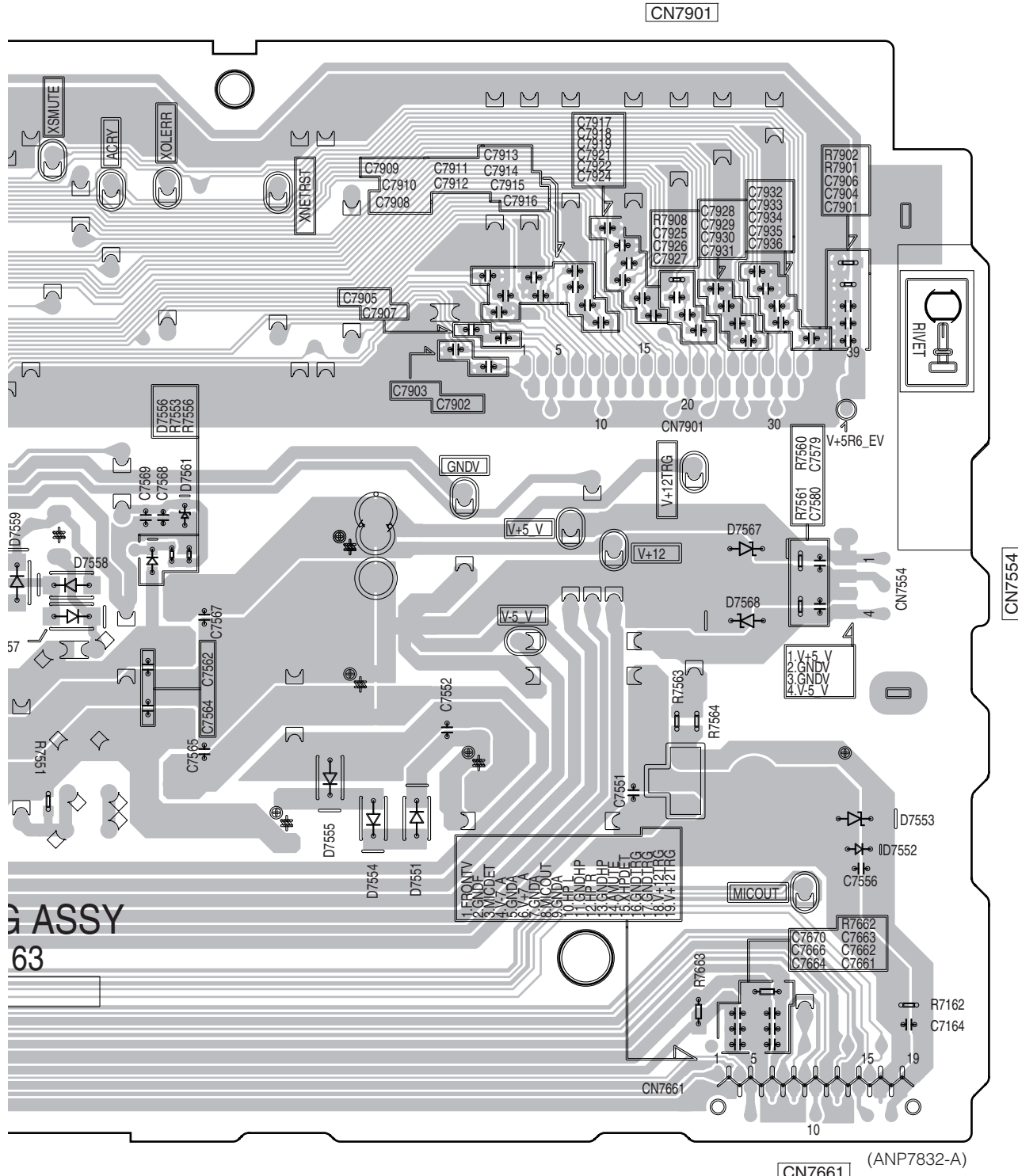
Q7901

IC

IC7901



A  
B  
C  
D  
E  
F



ASSY  
63

# 11.19 VREG CHILD ASSY and CONNECT ASSY

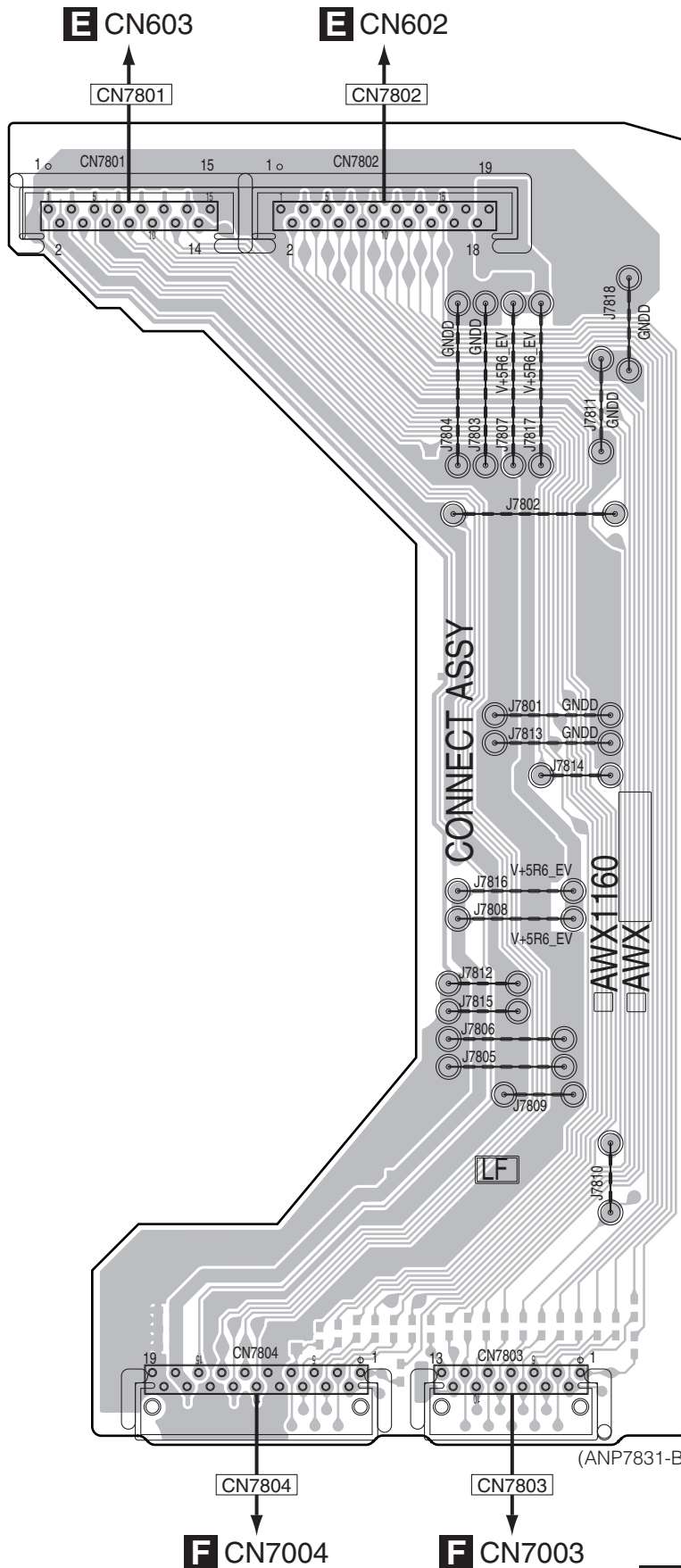
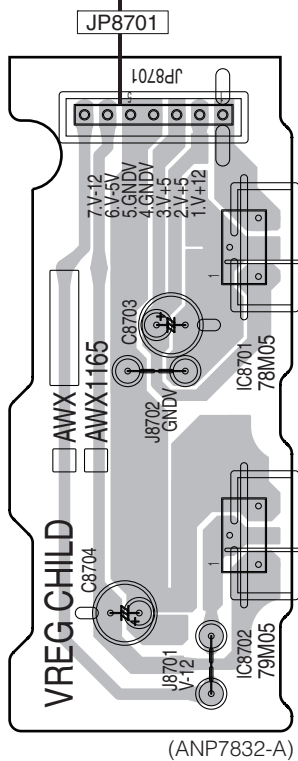
**SIDE A**

**SIDE A**

## W CONNECT ASSY

## V VREG CHILD ASSY

**U** CN7552



**F** CN7004

**F** CN7003

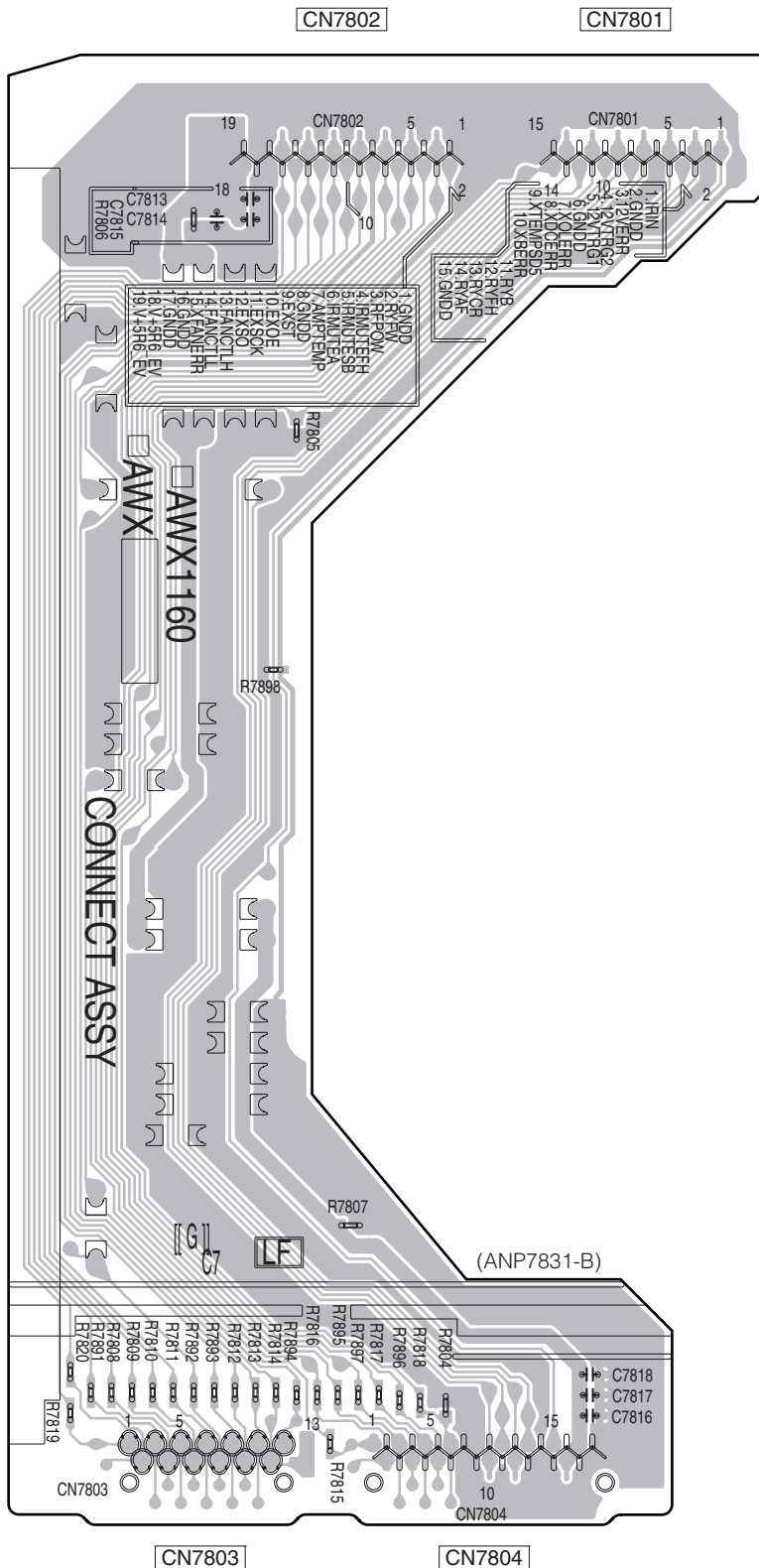
**V W**

**V W**

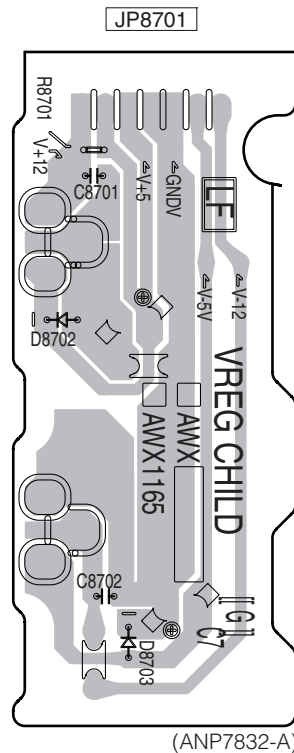
SIDE B

SIDE B

# W CONNECT ASSY



# V VREG CHILD ASSY

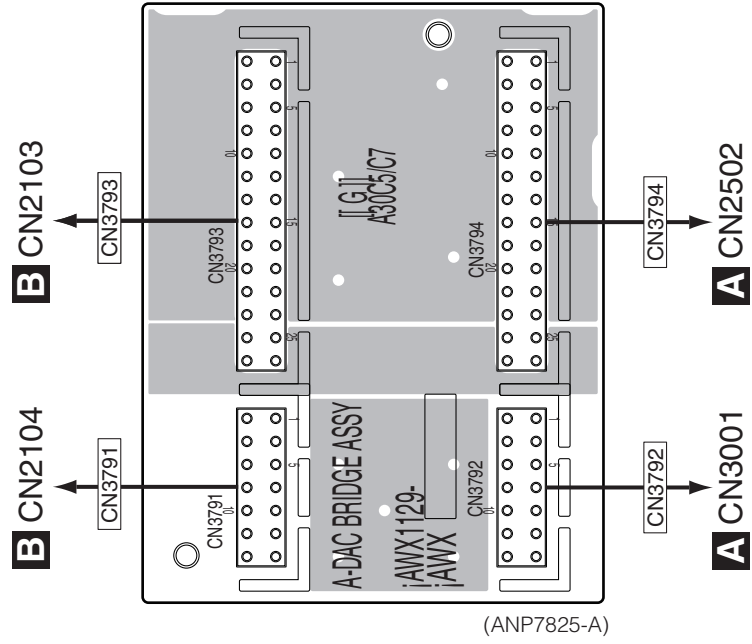


A  
B  
C  
D  
E  
F

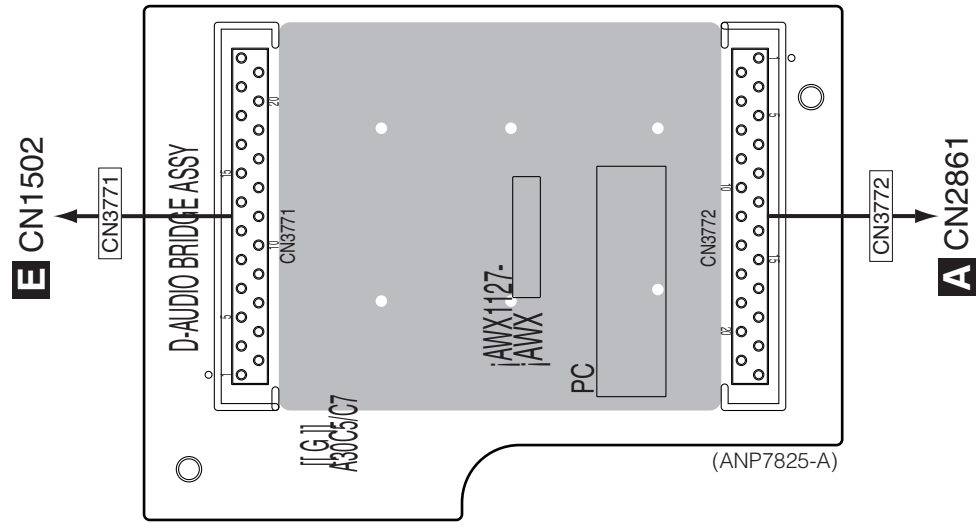
11.20 A-DAC BRIDGE, D-AUDIO BRIDGE, D-FILTER BRIDGE and PRE BRIDGE ASSYS

**SIDE A**

**X A-DAC BRIDGE ASSY**



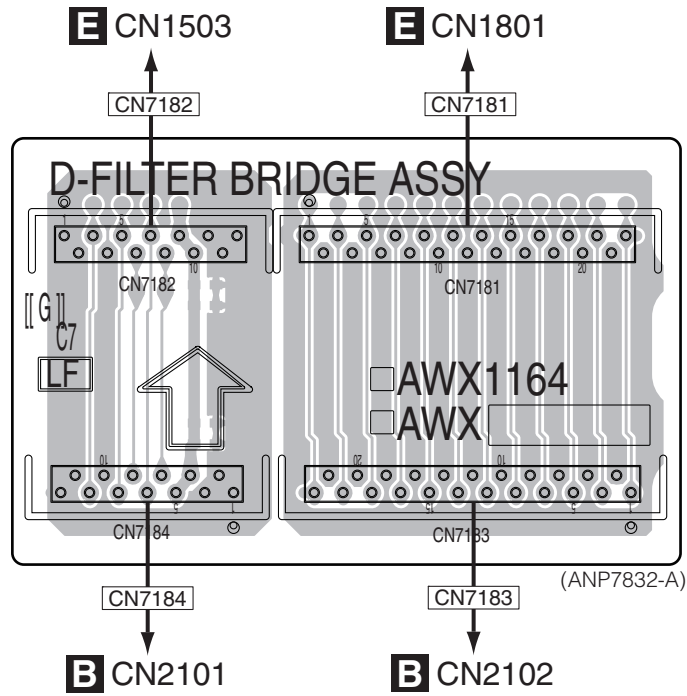
**Y D-AUDIO BRIDGE ASSY**



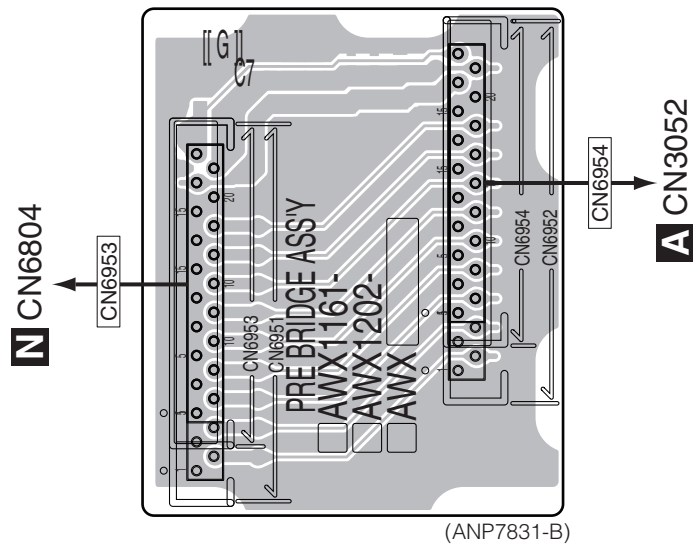
**X Y**

**SIDE A**

**Z** D-FILTER BRIDGE ASSY



**AA** PRE BRIDGE ASSY





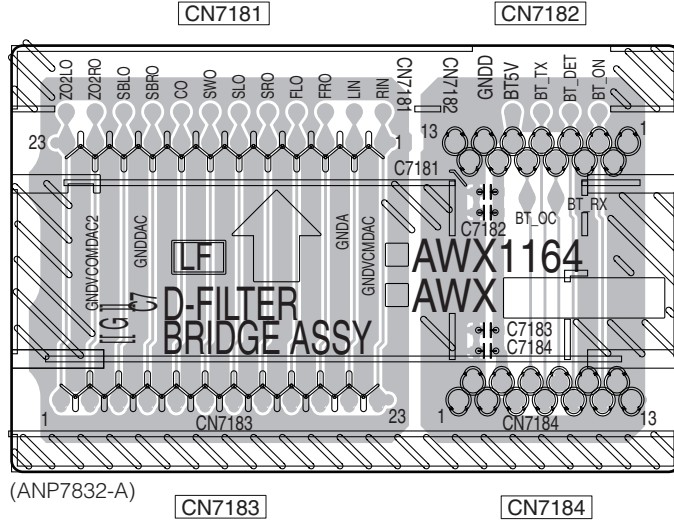
**SIDE B**

A

**Z D-FILTER BRIDGE ASSY**

B

C

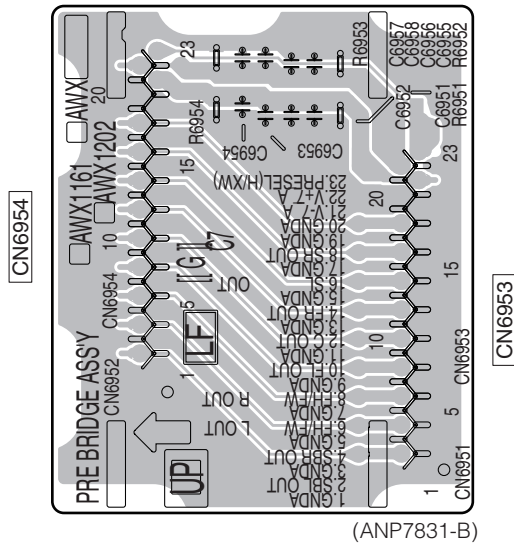


D

**AA PRE BRIDGE ASSY**

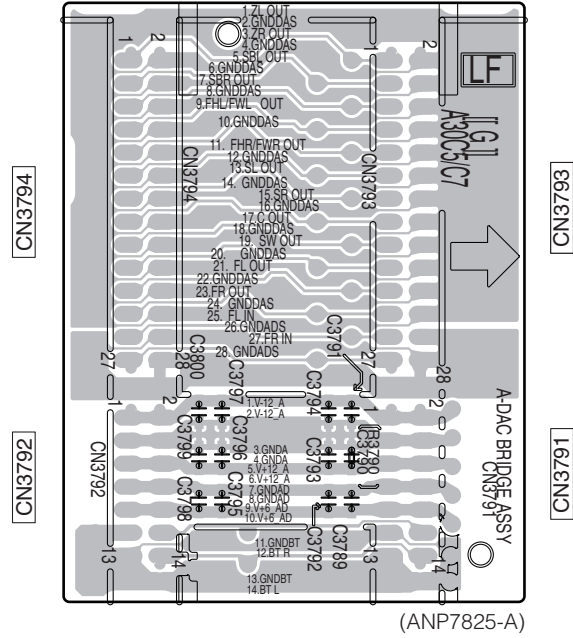
E

F

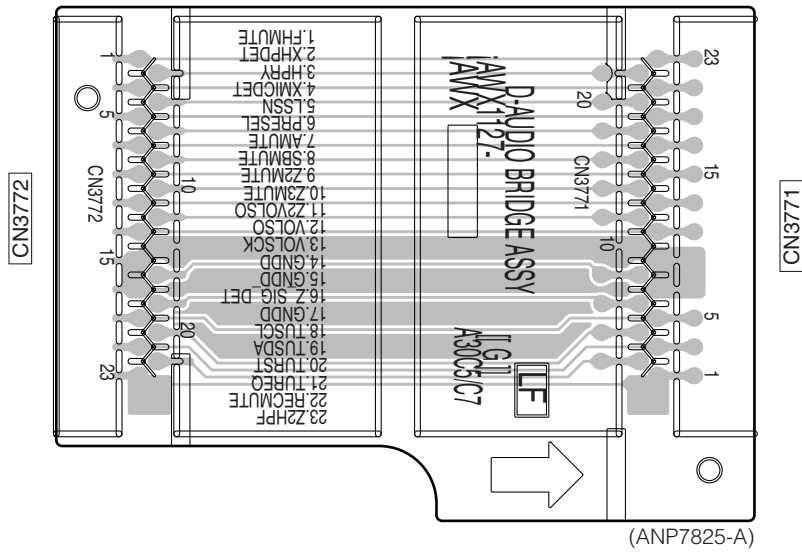


SIDE B

# X A-DAC BRIDGE ASSY



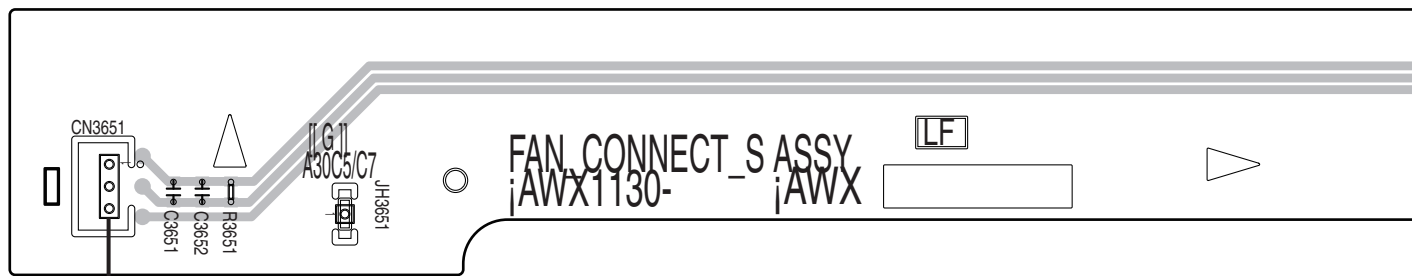
# Y D-AUDIO BRIDGE ASSY



11.21 FAN CONNECT\_S, BT and MIC HP GUARD ASSYS

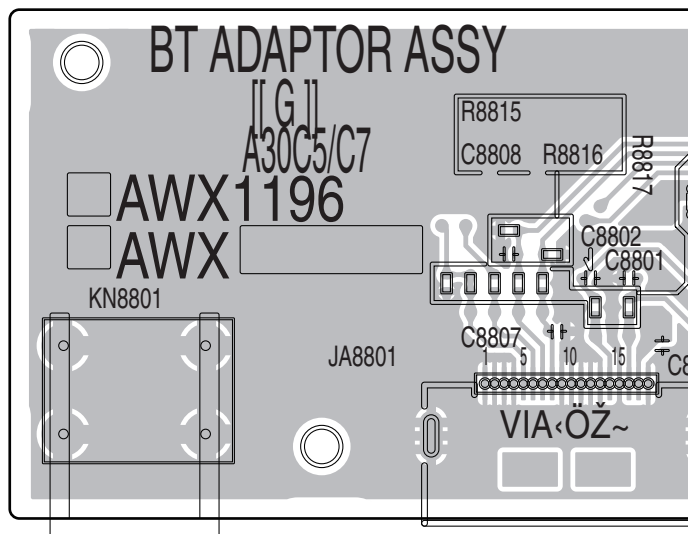
**SIDE A**

**AB FAN CONNECT\_S ASSY**

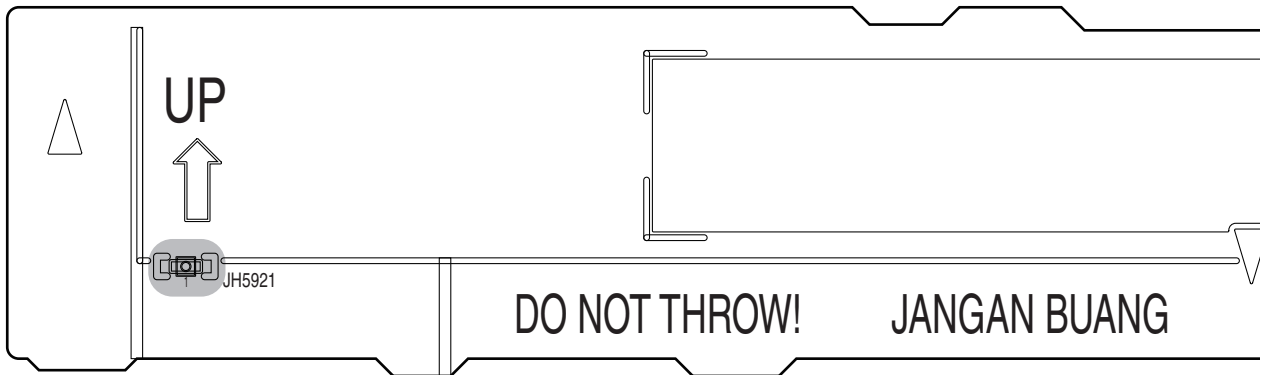


**T JP7291**

**AC BT ASSY**



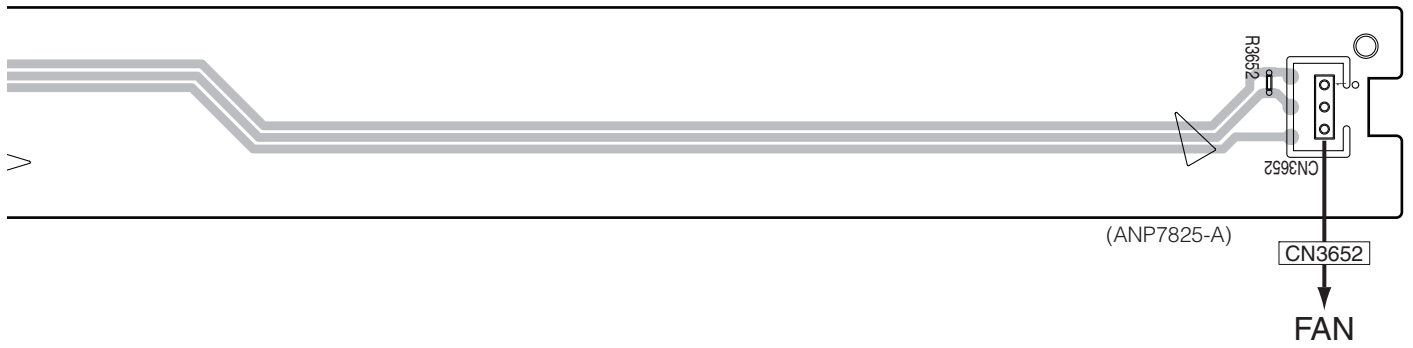
**AD MIC HP GUARD ASSY**



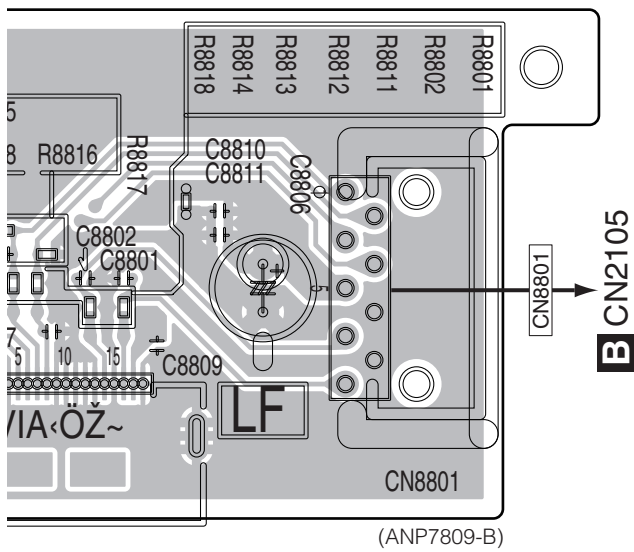
**AB AC AD**

**SIDE A**

A

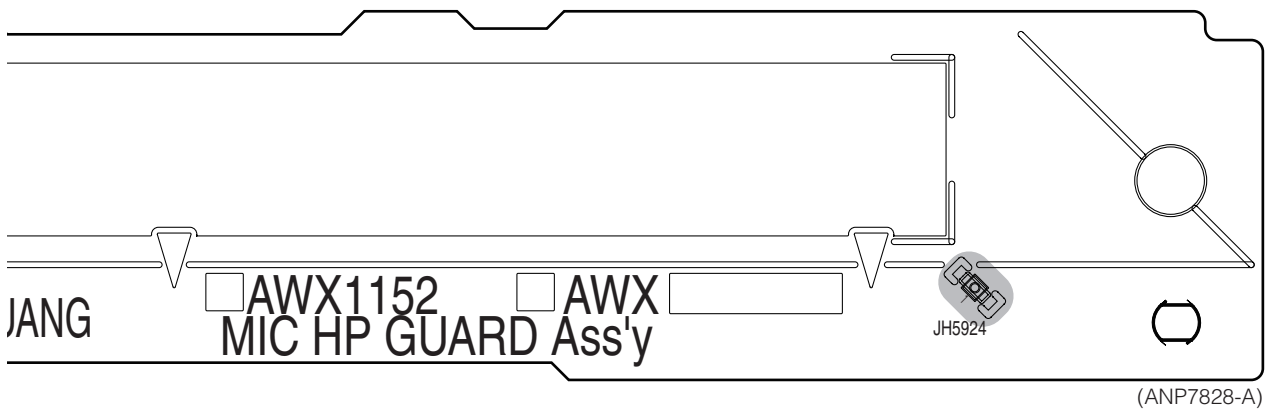


B



C

D



E

F

**AB AC AD**

**SIDE B**

A

**AB FAN CONNECT\_S ASSY**

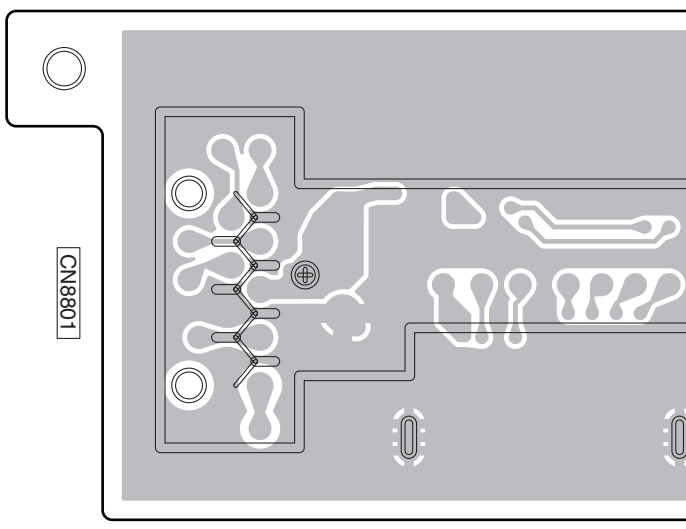


B

CN3652

**AC BT ASSY**

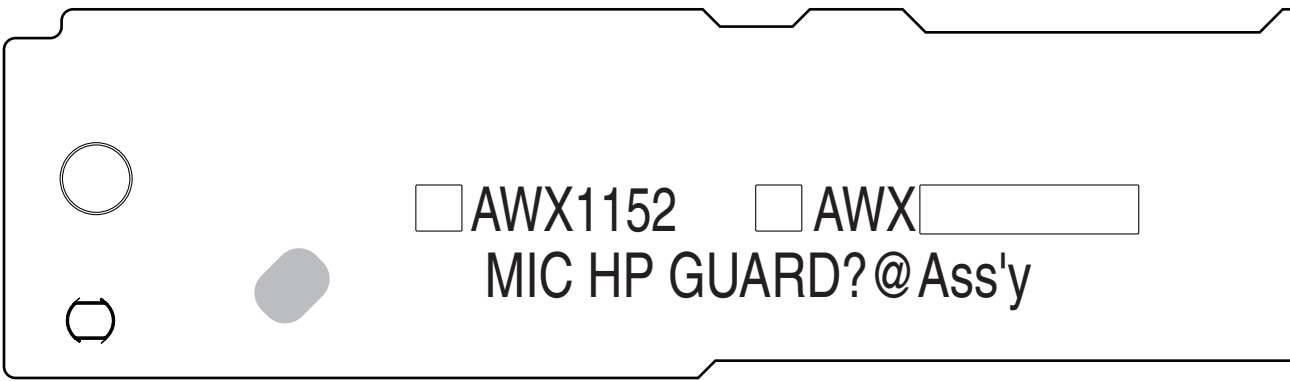
C



D

**AD MIC HP GUARD ASSY**

E



F

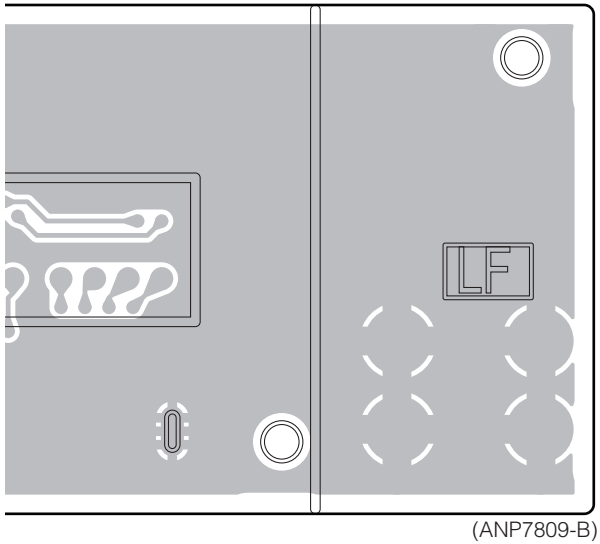
**AB AC AD**

**SIDE B**

A

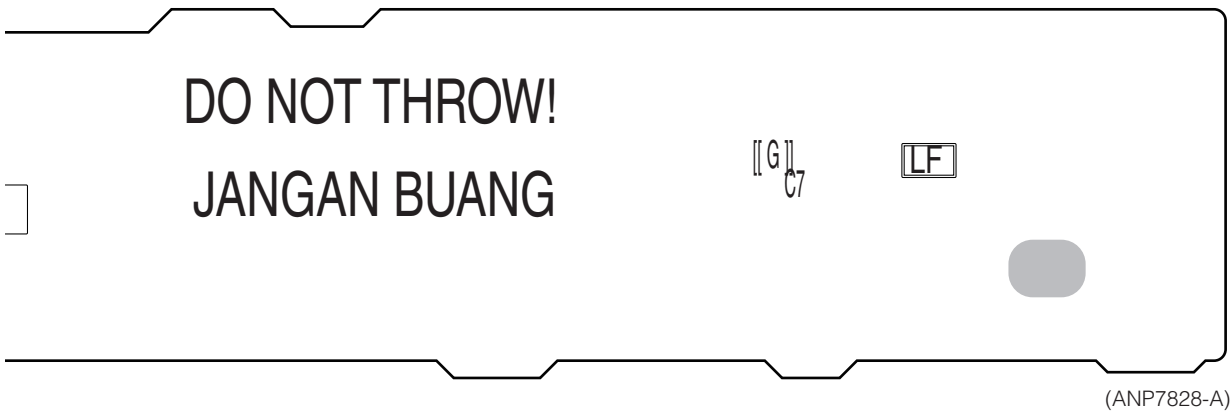


B



C

D



E

F

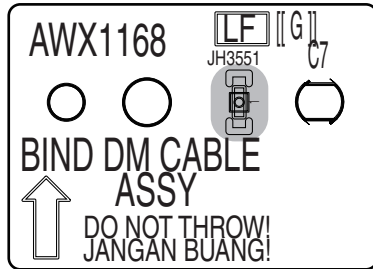
**AB AC AD**

# 11.22 BIND DM CABLE ASSY and P WIRE GUARD ASSY

**SIDE A**

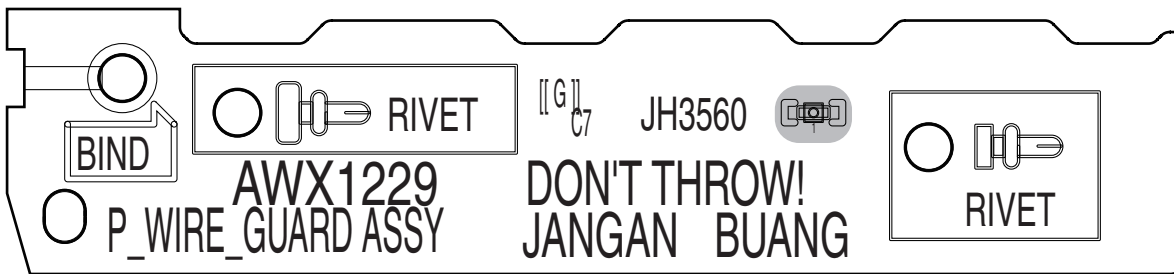
**SIDE A**

## **AE** BIND DM CABLE ASSY



(ANP7832-A)

## **AF** P WIRE GUARD ASSY



(ANP7832-A)

**AE AF**

**AE AF**

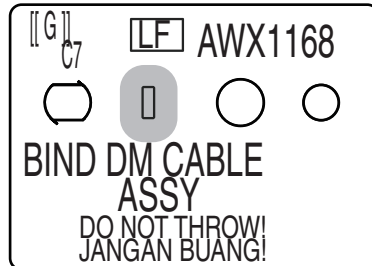


**SIDE B**

**SIDE B**

A

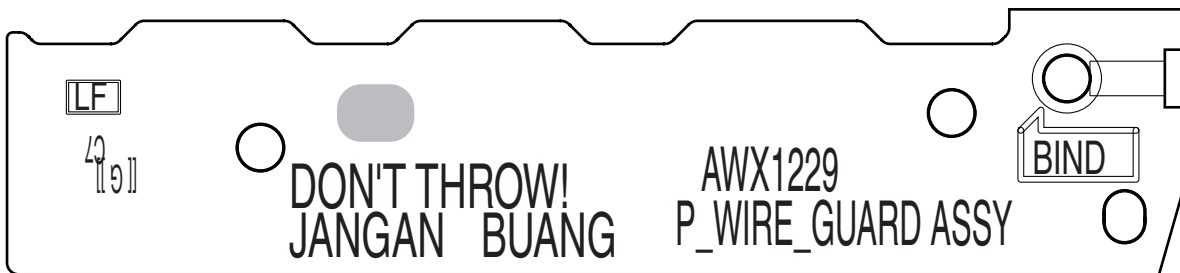
**AE BIND DM CABLE ASSY**



(ANP7832-A)

B

**AF P WIRE GUARD ASSY**



(ANP7832-A)

C

D

E

**AE AF**

**AE AF**

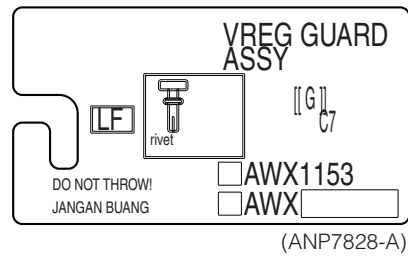
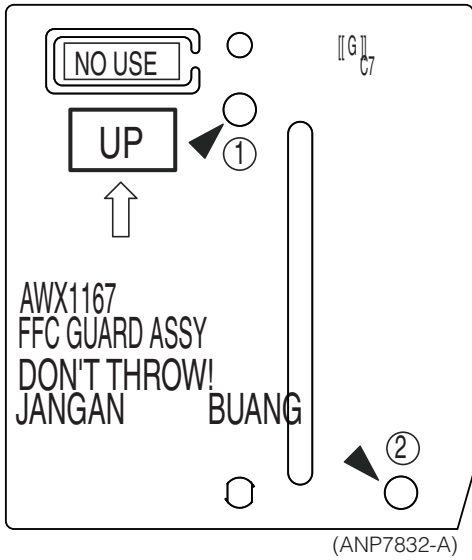
11.23 FFC GUARD, BIND FAN CABLE, VREG GUARD, TRANS VREG STYL and IR EDGE GUARD ASSYS

SIDE A

SIDE A

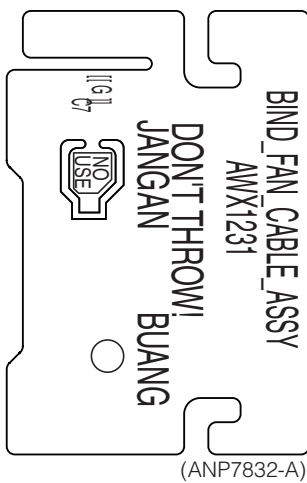
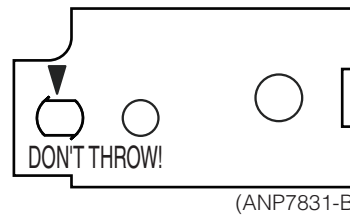
**AG** FFC GUARD ASSY

**AI** VREG GUARD ASSY

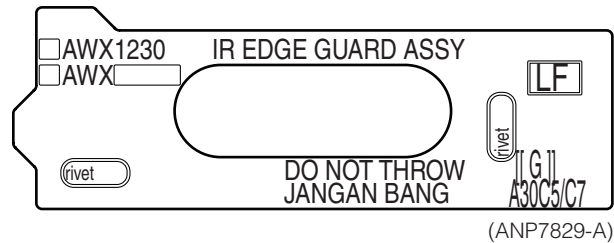


**AJ** TRANS VREG STYL ASSY

**AH** BIND FAN CABLE ASSY



**AK** IR EDGE GUARD ASSY



**AG AH AI AJ AK**

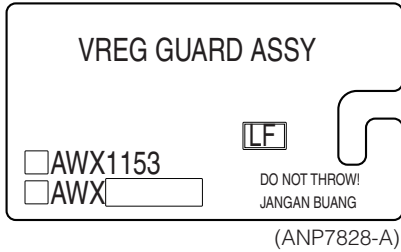
**AG AH AI AJ AK**

**SIDE B**

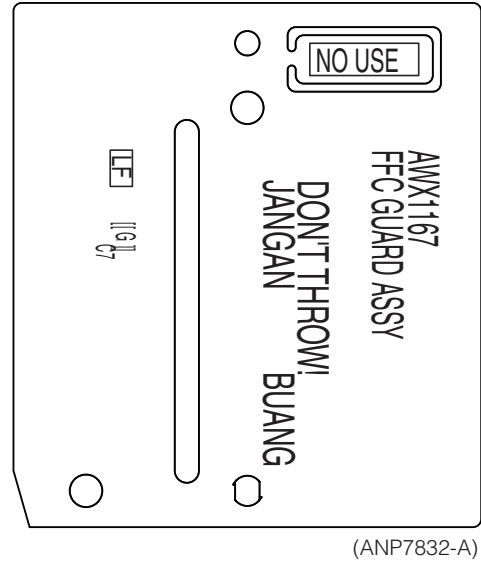
**SIDE B**

A  
B  
C  
D  
E  
F

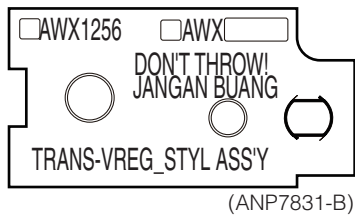
**AI VREG GUARD ASSY**



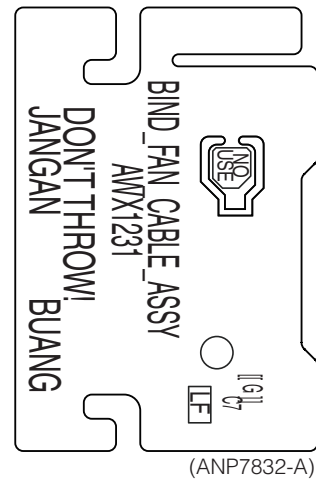
**AG FFC GUARD ASSY**



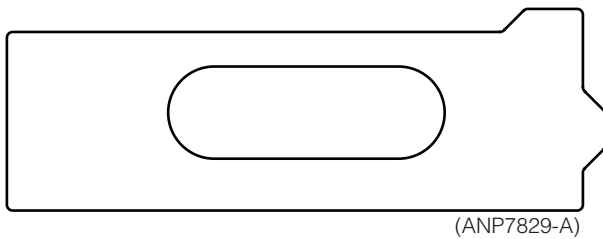
**AJ TRANS VREG STYL ASSY**



**AH BIND FAN CABLE ASSY**



**AK IR EDGE GUARD ASSY**



**AG AH AI AJ AK**

**AG AH AI AJ AK**

# 12. PCB PARTS LIST

NOTES: ● Parts marked by "NSP" are generally unavailable because they are not in our Master Spare Parts List.

● The  $\Delta$  mark found on some component parts indicates the importance of the safety factor of the part. Therefore, when replacing, be sure to use parts of identical designation.

● When ordering resistors, first convert resistance values into code form as shown in the following examples.

Ex.1 When there are 2 effective digits (any digit apart from 0), such as 560 ohm and 47 k ohm (tolerance is shown by J = 5%, and K = 10%).

$560 \Omega \rightarrow 56 \times 10^1 \rightarrow 561 \dots\dots\dots RD1/APU \begin{matrix} \boxed{5} & \boxed{6} & \boxed{7} & J \end{matrix}$   
 $47 \text{ k}\Omega \rightarrow 47 \times 10^3 \rightarrow 473 \dots\dots\dots RD1/APU \begin{matrix} \boxed{4} & \boxed{7} & \boxed{3} & J \end{matrix}$   
 $0.5 \Omega \rightarrow R50 \dots\dots\dots RN2H \begin{matrix} \boxed{R} & \boxed{5} & \boxed{0} & K \end{matrix}$   
 $1 \Omega \rightarrow 1R0 \dots\dots\dots RSIP \begin{matrix} \boxed{1} & \boxed{R} & \boxed{0} & K \end{matrix}$

Ex.2 When there are 3 effective digits (such as in high precision metal film resistors).

$5.62 \text{ k}\Omega \rightarrow 562 \times 10^1 \rightarrow 5621 \dots\dots\dots RN1/4PC \begin{matrix} \boxed{5} & \boxed{6} & \boxed{2} & \boxed{1} & F \end{matrix}$

<b>B</b>	<b>Mark No. Description</b>	<b>Part No.</b>	<b>Mark No. Description</b>	<b>Part No.</b>
----------	-----------------------------	-----------------	-----------------------------	-----------------

## LIST OF ASSEMBLIES

NSP	1..D-AMP_S ASSY	AWH7060	NSP 1..INTERFACE REG ASSY (SC-1227-K/SC-1222-K)	AWR7156
	2..D-AMP_S ASSY	AWX1192	2..IR REG ASSY	AWX1158
	2..BT ASSY	AWX1196	2..FILTER ASSY	AWX1159
NSP	1..IR BUFFER ASSY	AWM8308	2..CONNECT ASSY	AWX1160
	2..BUFFER GND ASSY	AWX1156	2..PRE BRIDGE ASSY	AWX1202
	2..IR BUFFER ASSY	AWX1201	2..INTERFACE ASSY	AWX1207
			NSP 2..TRANS VREG STYL ASSY	AWX1256
NSP	1..PRIM DISPLAY ASSY (SC-63/SC-61)	AWM8296	NSP 1..PRE POWER ASSY (SC-63/SC-61)	AWR7154
	2..VOL ASSY	AWX1134	2..V-REG ASSY	AWX1163
	2..POWER SW ASSY	AWX1135	2..D-FILTER BRIDGE ASSY	AWX1164
	2..MIC HP ASSY	AWX1148	2..VREG CHILD ASSY	AWX1165
	2..ENCODER ASSY	AWX1150	2..BIND DM CABLE ASSY	AWX1168
	2..MIC HP GUARD ASSY	AWX1152	2..A-REG ASSY	AWX1204
	2..DISPLAY ASSY	AWX1208	2..P WIRE GUARD ASSY	AWX1229
	2..PRIMARY ASSY	AWX1225	2..USB RECT ASSY	AWX1259
NSP	2..VREG GUARD ASSY	AWX1153	NSP 2..FFC GUARD ASSY	AWX1167
NSP	2..PANEL GUARD ASSY	AWX1154	NSP 2..BIND FAN CABLE ASSY	AWX1231
NSP	1..PRIM DISPLAY ASSY (SC-1227-K/SC-1222-K)	AWM8297	NSP 1..PRE POWER ASSY (SC-1227-K/SC-1222-K)	AWR7158
	2..VOL ASSY	AWX1134	2..V-REG ASSY	AWX1260
	2..POWER SW ASSY	AWX1151	2..D-FILTER BRIDGE ASSY	AWX1164
	2..MIC HP ASSY	AWX1148	2..VREG CHILD ASSY	AWX1165
	2..ENCODER ASSY	AWX1150	2..BIND DM CABLE ASSY	AWX1168
	2..MIC HP GUARD ASSY	AWX1152	2..A-REG ASSY	AWX1204
	2..DISPLAY ASSY	AWX1209	2..P WIRE GUARD ASSY	AWX1229
	2..PRIMARY ASSY	AWX1225	2..USB RECT ASSY	AWX1259
NSP	2..VREG GUARD ASSY	AWX1153	NSP 2..FFC GUARD ASSY	AWX1167
NSP	2..PANEL GUARD ASSY	AWX1154	NSP 2..BIND FAN CABLE ASSY	AWX1231
NSP	1..AUDIO COMPOSITE ASSY	AWR7138	1..COMPONENT ASSY	AWX1105
	2..COMPOSITE ASSY	AWX1116		
	2..AUDIO ASSY	AWX1117	1..FRONT HDMI USB ASSY	AWX1203
	2..D-AUDIO BRIDGE ASSY	AWX1127		
	2..A-DAC BRIDGE ASSY	AWX1129	1..IR INTERFACE ASSY	AWX1194
	2..FAN CONNECT_S ASSY	AWX1130	NSP 2..IR EDGE GUARD ASSY	AWX1230
NSP	1..INTERFACE REG ASSY (SC-63/SC-61)	AWR7148	1..DIGITAL MAIN ASSY	AWX1200
	2..IR REG ASSY	AWX1158		
	2..FILTER ASSY	AWX1159		
	2..CONNECT ASSY	AWX1160		
	2..PRE BRIDGE ASSY	AWX1202		
	2..INTERFACE ASSY	AWX1270		
NSP	2..TRANS VREG STYL ASSY	AWX1256		



## INTERFACE ASSY

AWX1270 and AWX1207 are constructed the same except for the following:

Mark	Symbol and Description	AWX1270	AWX1207
	Q7001	RT1N241M	Not used
	Q7002	RT1N241M	Not used
	Q7003	RT1N241M	Not used
	Q7005	ISA1602AM1(EF)	Not used
	Q7008	2SA1366(EF)	Not used
	Q7010	2SA1366(EF)	Not used
	Q7015	RT1N241M	Not used
	Q7016	RT1P241M-11	Not used
	D7007	1SS357	Not used
	L7001 Chip Solid Inductor	ATL7002	Not used
	L7007 Chip Solid Inductor	QTL1013	Not used
	JA7003 Jack	AKN-209	Not used
	JA7004 Jack	VKB1243	Not used
	R7003	RS1/10SR103J	Not used
	R7005	RS1/10SR103J	Not used
	R7006	RS1/10SR472J	Not used
	R7007	RS1/10SR472J	Not used
	R7008	RS1/10SR472J	Not used
	R7010	RS1/10SR472J	Not used
	R7011	RS1/10SR120J	Not used
	R7012	RS1/10SR120J	Not used
	R7013	RS1/10SR120J	Not used
	R7014	RS1/10SR120J	Not used
	R7029	RS1/10SR104J	Not used
	R7033	RS1/10SR0R0J	Not used
	R7111	Not used	RS1/4SA0R0J
	C7006	CCSRCH102J50	Not used
	C7007	CKSRYB104K50	Not used
	C7011	CKSRYB104K50	Not used
	C7012	CCSRCH102J50	Not used
	C7013	CKSRYB103K50	Not used
	C7015	CKSRYB104K50	Not used
	C7016	CKSRYB103K50	Not used
	C7026	CKSRYB153K50	Not used
	C7112	CEAK221M16	Not used
	C7113	CCSRCH331J50	Not used
	C7114	CKSRYB104K50	Not used

## J DISPLAY ASSY

AWX1208 and AWX1209 are constructed the same except for the following:

Mark	Symbol and Description	AWX1208	AWX1209
A	Q3207	RT1N241M	Not used
	Q3210	RT1N241M	Not used
	Q3211	RT1N241M	Not used
	Q3212	RT1N241M	Not used
	Q3213	RT1N241M	Not used
	D3204	SLR343BC4T(JKLM)	SLR-343VC(NPQ)
	D3206	SLR343BC4T(JKLM)	SLR-343VC(NPQ)
	D3208	SLR343BC4T(JKLM)	SLR-343VC(NPQ)
	D3210	SLR343BC4T(JKLM)	SLR-343VC(NPQ)
	D3212	SLR343BC4T(JKLM)	Not used
B	R3068	RS1/10SR102J	Not used
	R3079	Not used	RS1/10SR0R0J
	R3095	RS1/10SR101J	Not used
	R3114	Not used	RS1/10SR0R0J
	R3211	Not used	RS1/10SR0R0J
	R3212	Not used	RS1/10SR0R0J
	R3213	Not used	RS1/10SR0R0J
	R3214	Not used	RS1/10SR0R0J
	R3241	RS1/10SR151J	RS1/10SR681J
	R3242	RS1/10SR151J	RS1/10SR681J
C	R3243	RS1/10SR151J	RS1/10SR681J
	R3244	RS1/10SR151J	RS1/10SR681J
	R3245	RS1/10SR151J	Not used
	R3356	RS1/10SR101J	Not used
	C3048	CCSRCH100D50	Not used
	C3218	CCSRCH470J50	Not used
	C3338	CCSRCH100D50	Not used

## L POWER SW ASSY

AWX1135 and AWX1151 are constructed the same except for the following:

Mark	Symbol and Description	AWX1135	AWX1151
D	Q3401	RT1N431M	Not used
	D3402	SLR343BC4T(JKLM)	Not used
	R3401	RS1/10SR151J	Not used
	C3401	CCSRCH221J50	Not used

## U V-REG ASSY

AWX1163 and AWX1260 are constructed the same except for the following:

Mark	Symbol and Description	AWX1163	AWX1260
E	IC7551 Regulator Ic	NJM78M12FA	Not used
	D7551	1SR154-400	Not used
	D7552	1SS355	Not used
	D7554	1SR154-400	Not used
	D7555	1SR154-400	Not used
	7551 Screw	BBZ30P080FCC	Not used
	7552 Heat Sink	ANH7251	Not used
	C7551	CKSRYB103K50	Not used
	C7552	CKSRYB103K50	Not used
	C7554	CEAK471M35-F	Not used
	C7555	CEAK100M50	Not used
	C7557	CEAK102M35-F	Not used

# PCB PARTS LIST FOR SC-63/UXJCB UNLESS OTHERWISE NOTED

Mark	No.	Description	Part No.	Mark	No.	Description	Part No.
<b>A AUDIO ASSY</b>							
<b>SEMICONDUCTORS</b>							
	IC	2501,3273	BD3473KS2	C	2683,2691,2692,2699	CKSRBY103K50	A
	IC	2701	TC4066BFN	C	2693,2694,2828,2836	ACH1479	
	IC	2702,2751,2801,6701	NJM4565MD	C	2695,2696,2834,2835	CFHXSQ103J16	
	IC	3221,6703	TC4052BFN	C	2700,2703,2704,2759	CCSRCH101J50	
	IC	3251,3271	NJM4565V	C	2701,2702,2705,2706	CKSRBY103K50	
	IC	6702	NJM4565MD	C	2751-2758,2760,2826	CEAK100M50	
	Q	2721,3221,3222,6703	RT1N241M	C	2761,2762,2803,2804	CKSRBY103K50	
	Q	2722	RT1P241M-11	C	2805,2806	CEAK1R0M50	
	Q	2803,2971,3101,3102	IMX25	C	2807,2808	CCSRCH221J50	
△	Q	3001	2SD2400A	C	2815,2816,6718-6723	CKSQYB103K50	
△	Q	3002	2SB1569A	C	2819,2820	CEAK471M16	
	Q	3151,3152,3201,3202	IMX25	C	2827,2903,2904,3025	CEAK100M50	B
	Q	3251,3252,3271,3272	IMX25	C	2829,2830,2832,3113	CCSRCH101J50	
	Q	3274,6701	IMX25	C	2831,2833,3021,3223	CKSRBY103K50	
△	Q	3901	2SC5712	C	2863-2866,3293-3296	CKSRBY104K50	
	Q	6702	INC2002AC1	C	2867,2868,3167,3225	CCSRCH100D50	
	Q	6704,6706	RT1N241M	C	2971,2972,6703,6704	CCSRCH471J50	
	D	2691,2692,2701,2702	1SS302	C	3001,3002	CEAK2R2M50	
	D	3001,3002	RKZ7.5KG(B2)	C	3026,3952,6701,6702	CEAK100M50	
	D	3902	RKZ5.6KG(B2)	C	3105,3106,3155,3205	CEAK220M50	
	D	3903	RKZ3.3KG(B2)	C	3111,3112,3161,3162	CCSRCH331J50	
<b>MISCELLANEOUS</b>				C	3114,3163,3164,3213	CCSRCH101J50	
JA	2501,2504,3101	RCA JACK	AKB7246	C	3206,3255,3256,3275	CEAK220M50	C
JA	2502,2505,3206	RCA JACK	AKB7247	C	3211,3212,3261,3262	CCSRCH331J50	
JA	3102	RCA JACK	AKB7248	C	3214,3263,3264,3283	CCSRCH101J50	
JA	3201	RCA JACK	AKB7245	C	3224,3265,3266,3285	CKSRBY103K50	
JA	6701	RCA JACK	AKB7249	C	3276	CEAK220M50	
CN	2502	B TO B CONNECTOR	AKP7269	C	3281,3282,3909,3944	CCSRCH331J50	
CN	2503	15P CONNECTOR	52044-1545	C	3284,3914,3945,3951	CCSRCH101J50	
CN	2861	B TO B 23PIN JACK	AKN7073	C	3286,3907	CKSRBY103K50	
CN	3001	14P SOCKET	AKP7248	C	3297,3298	CCSRCH222J50	
CN	3052	B TO B 19PIN JACK	AKN7071	C	3901	CCSRCH270J50	
CN	3902	CONNECTOR	9604S-09C	C	3903,3906	CEAK101M16	
JP	3001	CONNECTOR ASSY	PF05PG-S20	C	3908,3911-3913	CCSRCH100D50	D
				C	3915-3917,3946	CCSRCH100D50	
				C	3918,6711,6712,6714	CKSRBY104K50	
				C	6707,6727,6728	CEAK100M50	
				C	6708	CCSRCH471J50	
				C	6710	CKSRBY333K50	
				C	6713,6716	CKSRBY473K50	
				C	6715,6717	CKSRBY104K50	
<b>RESISTORS</b>							
R	2567,2568		RS1/8SQ0R0J				
R	2687		RS1/8SQ105J				
R	2688		RS1/8SQ152J				
R	2819,2820		RS1/4SA180J				
R	3031		RS1/8SQ475J				
R	3032		RS1/8SQ182J				
	Other Resistors		RS1/10SR###J				
<b>CAPACITORS</b>							
C	2503,2504,2523,2524		CCSQCH101J50				
C	2505,2506,2525,2526		CEAK220M50				
C	2507,2508,2817,2818		CEAK101M16				
C	2543,2544		CCSQCH101J50				
C	2545,2546,2587,2588		CEAK220M50				
C	2561,2562,2583,2584		CCSRCH101J50				
C	2563,2564		CCSQCH220J50				
C	2565,2566,2707,2708		CEAK100M50				
C	2603,2604,2697,2698		CCSRCH101J50				
C	2609,2610,2731,2732		CEAK220M50				
				<b>B FILTER ASSY</b>			
				<b>SEMICONDUCTORS</b>			
				IC	2001,2031,2061,2091	NJM4565M	
				IC	2121	NJM4565M	
				△ IC	2201	BD2224G	
				<b>MISCELLANEOUS</b>			
				L	2201	INDUCTOR	CTF1357
				KN	2101,2102	SCREW PLATE	VNE1948
				CN	2101	B TO B 13PIN JACK	AKN7068
				CN	2102	B TO B 23PIN JACK	AKN7073
				CN	2103	B TO B CONNECTOR	AKP7269
				CN	2104	14P SOCKET	AKP7248
				CN	2105	B TO B 9PIN PLUG	AKM7100



**Mark No. Description** **Part No.**

**RESISTORS**

A	R 2021,2022,2051,2052	RS1/8SQOR0J
	R 2081,2082,2111,2112	RS1/8SQOR0J
	R 2141,2142	RS1/8SQOR0J
	Other Resistors	RS1/10SR###J

**CAPACITORS**

	C 2001,2002,2009,2010	CEAK100M50
	C 2003,2004	CCSRCH471J50
	C 2005-2008,2033-2036	CCSRCH331J50
	C 2013,2014,2043,2044	CKSQYB104K50
	C 2031,2032,2039,2040	CEAK100M50

B	C 2037,2038,2067,2097	CCSRCH391J50
	C 2061,2062,2069,2070	CEAK100M50
	C 2063,2065,2093-2096	CCSRCH331J50
	C 2064	CKSRYB223K50
	C 2066,2161,2162	CKSRYB103K50

	C 2068	CKSRYB562K50
	C 2073,2074,2103,2104	CKSQYB104K50
	C 2091,2092,2099,2100	CEAK100M50
	C 2098,2127,2128	CCSRCH391J50
	C 2121,2122,2207,2208	CEAK100M50

C	C 2123-2126	CCSRCH331J50
	C 2129,2130,2201	CEAK470M25
	C 2133,2134	CKSQYB104K50
	C 2165,2166	CEAK101M35
	C 2203	CKSRYB104K50

	C 2204	CCSRCH100D50
	C 2205	CCG1222

**C FRONT HDMI USB ASSY**

**SEMICONDUCTORS**

D	⚠ IC 8001	TPS2557DRB
	IC 8003	PCA9517DGK
	⚠ IC 8004	BD9329EFJ
	Q 8004	2SC4154-11
	D 8004	RKZ5.6KG(B2)

**MISCELLANEOUS**

	L 8001,8002 CHIP BEADS	ATL7010
	L 8003 CHOKE COIL	CTH1446
	JA 8001 USB CONNECTOR	DKB1106
	JA 8002 HDMI JACK	AKP7268
	JA 8003 HDMI JACK	AKP7280

E	KN 8001,8002 EARTH TERMINAL	AKF7002
	CN 8001 CONNECTOR	AKM1277
	CN 8002 7P CONNECTOR	VKN1411
	JH 8002 PCB BINDER	AEF7008
	JP 8001 HOUSING	ADX7760

**RESISTORS**

	R 8005,8011,8052-8054	RS1/8SQOR0J
	R 8009	RS1/10SR473J
	R 8014,8015	RS1/16SS2202F
	R 8022	RS1/10SR0R0J
	R 8044	RS1/16SS1801F

F	R 8045	RS1/16SS2200F
	R 8046	RS1/16SS8201F
	R 8055	RS1/4SA105J
	Other Resistors	RS1/16SS###J

**Mark No. Description** **Part No.**

**CAPACITORS**

	C 8001,8021	CCSSCH101J50
	C 8002,8012,8024,8029	CKSRYB104K50
	C 8003,8042,8043	CCSSCH331J50
	C 8010	CEAK221M16
	C 8014,8031,8051	CCSRCH331J50

	C 8030,8037,8038	CKSRYB104K50
	C 8032,8033	CCG1236
	C 8039	CCSRCH222J50
	C 8044,8045	ACG1128
	C 8053	CCSRCH100D50

**D USB RECT ASSY**

**SEMICONDUCTORS**

	⚠ D 3651	D5SBA60(B)
--	----------	------------

**MISCELLANEOUS**

	H 3651,3652 FUSE CLIP	AKR1004
	KN 3651 EARTH TERMINAL	AKF7002
	CN 3652,3653 2P TOP POST	B2B-EH
	JH 3651,3652 PCB BINDER	AEF7008

**RESISTORS**

	R 3652	RS1/4SA105J
	Other Resistors	RS1/8SQ###J

**CAPACITORS**

	C 3651	CFTLA104J50
	C 3661	CKSRYB104K50
	C 3662	CCSRCH101J50
	C 3663	CCSRCH331J50
	C 3664	CCSRCH100D50

	C 3665,3666	CEAK472M25
	C 3667	CKSRYB103K50

**E DIGITAL MAIN ASSY**

**SEMICONDUCTORS**

	IC 101	UPD61110GM-100UEVA
	IC 102,9201	M12L2561616A-5TG2A
	IC 103	AYW7376
	IC 104,604,1808	TC7WHU04FK
	IC 603	PE7008A

	IC 607,612,1502	TC74VHCT08AFKS1
	IC 608	TC74VHCT541AFK
	IC 610,1509,1806	TC74VHC126FK
	IC 611	TC74VHCT126AFK
	IC 613,1601,1804,9003	TC74VHC08FK

	IC 614,701,9008,9208	TC7SH08FUS1
	IC 901,910	TC74LCX541FK
	IC 902,911	TC7SZ125FU
	IC 903	SII9233ACTU
	IC 909	ADV7181CBSTZ

	IC 1204	88DE2750
	IC 1212	H5PS5162GFR-S5C
	⚠ IC 1216	LP2996M
	IC 1504	TC7SET08FUS1
	IC 1602	SII9136CTU



**Mark No. Description**

**Part No.**

**Mark No. Description**

**Part No.**

A

R 957,1242-1245,1248 RAB4CQ470J  
 R 970,980,988,998 RAB4CQ220J  
 R 1000,1001,9016,9017 RAB4CQ220J  
 R 1103-1105 RS1/16SS5601F  
 R 1235,9227 RAB4CQ472J

C 404,604,608,611 CCSSCH100D50  
 C 405,407,1504,1507 CCG1222  
 C 406,978,9008 CCSSCH330J50  
 C 417,420,422 CKSSYB105K25  
 C 427,431,606,618 CCSSCH331J50

R 1249,1365,1747-1752 RAB4CQ470J  
 R 1277,1284,1288,1289 RAB4CQ151J  
 R 1291,1339,1342 RAB4CQ151J  
 R 1345-1350,1615,1616 RAB4CQ473J  
 R 1522,1527,1528,9815 RS1/10SR0R0J

C 449,450,1907,9406 ACG1128  
 C 602,9250 CEVW101M16  
 C 607,633,699,704 CCSSCH102J50  
 C 609,655,915,927 DCH1201  
 C 615-617,622,625 CKSSYB104K16

B

R 1622,1625,1642,1645 RAB4CQ473J  
 R 1650 RS1/16SS4701F  
 R 1760,9043,9226,9232 RAB4CQ470J  
 R 1808,9293 RS1/16SS1202D  
 R 9007-9010 RAB4CQ330J

C 620,624,631,635 CCSSCH331J50  
 C 621,629,630,640 CCSSCH100D50  
 C 623,636,646,650 CCSSCH101J50  
 C 626,628,637,638 CKSSYB104K16  
 C 632 CKSSYB473K16

R 9011,9012,9018,9019 RAB4CQ680J  
 R 9024,9031 RAB4CQ220J  
 R 9050 RAB4CQ101J  
 R 9209,9211 RAB4CQ390J  
 R 9233,9240,9265,9266 RAB4CQ470J

C 639,641,647,649 CCSSCH331J50  
 C 642-645,662,664 CKSSYB104K16  
 C 648,665,666,679 CCSSCH100D50  
 C 651,656,659,660 CCSSCH101J50  
 C 653,685,921,922 CKSSYB103K25

C

R 9234-9237 RAB4CQ121J  
 R 9257 RS1/8SQ0R0J  
 R 9268 RAB4CQ473J  
 R 9286 RS1/16SS3300D  
 R 9290-9292,9294 RS1/16SS49R9F

C 654,916,928,962 DCH1246  
 C 674,696,698,700 CCSSCH331J50  
 C 675,680,681,722 CKSSYB104K16  
 C 682,690-692,697 CCSSCH101J50  
 C 693,734,750,1040 CCSSCH221J50

R 9312 RS1/16SS3001F  
 R 9459,9461 RS1/16SS1002D  
 R 9463 RS1/16SS3901D  
 R 9816,9884,9885 RS1/10SR0R0J  
 Other Resistors RS1/16SS###J

C 701,713,731,733 CCSSCH331J50  
 C 705-708,717,718 CCSSCH101J50  
 C 716,720,721,728 CCSSCH102J50  
 C 735,749,751,752 CCSSCH101J50  
 C 737,740-742,745 CCSSCH100D50

**CAPACITORS**

C 101,104,107,110 CEVW101M4  
 C 102,111,114,117 CCSSCH331J50  
 C 103,106,109,112 DCH1246  
 C 105,108,146,162 CCSSCH101J50  
 C 115,118,136,610 DCH1246

C 746,755,758,905 CCSSCH100D50  
 C 748,753,754,756 CCSSCH331J50  
 C 757,762,911,920 CCSSCH331J50  
 C 759,761,903,906 CKSSYB104K16  
 C 902,924,938,982 CCSSCH101J50

D

C 116,408,428,991 CEVW101M4  
 C 119,126,135,138 CCSSCH331J50  
 C 120,121,124,130 CKSSYB103K25  
 C 122,129,133,148 CCSSCH471J50  
 C 123,125,127,132 CKSSYB104K16

C 904,907,913,918 CCSSCH471J50  
 C 914,926 CEVW470M4  
 C 917,932-934,942 CCSSCH100D50  
 C 919,925,931,935 CKSSYB104K16  
 C 923,936,937,941 CCSSCH331J50

C 140,142,147,152 CKSSYB104K16  
 C 144,149,154,163 CCSSCH331J50  
 C 153,155,158,166 CKSSYB104K16  
 C 156,178,206,627 CCSSCH471J50  
 C 157,160,165,171 CCSSCH102J50

C 940,944,947,948 CKSSYB104K16  
 C 943,1104-1106 CCSSCH4R0C50  
 C 945,946,952,958 CCSSCH471J50  
 C 949,1098-1100 CCSSCH5R0C50  
 C 953,957,976,983 CCSSCH331J50

E

C 159,161,222,634 CKSSYB472K50  
 C 167,175,179,181 CKSSYB104K16  
 C 170,985,1227,1617 CKSSYB222K50  
 C 173,176,184,402 CCSSCH331J50  
 C 180,207,212,619 CCSSCH101J50

C 954,964,965,977 CKSSYB104K16  
 C 955,956,980,1043 CKSSYB103K25  
 C 959,966,1049,1252 CCSSCH102J50  
 C 960,961,979,1069 CCSSCH471J50  
 C 963,1214,1349-1351 DCH1246

C 182,193,215,403 CCSSCH100D50  
 C 185,202-205,223 CKSSYB104K16  
 C 186,187,1095-1097 CCSSCH7R0D50  
 C 199-201,612,614 CKSSYB103K25  
 C 401,426,430,613 CKSSYB104K16

C 981,984,988,994 CKSSYB104K16  
 C 989,1024,1029,1030 CCSSCH331J50  
 C 993,1529,1648,1870 CKSSYB472K50  
 C 995,1207,1208,1355 CEVW221M4  
 C 997,1062,1088,1361 CCSSCH100D50

F

C 1025,1031,1042,1064 CEVW101M4  
 C 1026,1032,1034,1038 CKSSYB104K16  
 C 1027,1033,1041,1081 CCSSCH101J50  
 C 1028,1036 CCSSCH270J50  
 C 1035,1037,1046,1070 CCSSCH331J50

Mark	No.	Description	Part No.	Mark	No.	Description	Part No.
C	1039,1047,1050-1052		CKSSYB104K16	C	1829,1837,1838,1846		CCSSCH471J50
C	1044		CKSSYB823K10	C	1831		CEVW4R7M35
C	1045,1054,1056,1224		CKSSYB103K25	C	1832,1834,1845,1856		CKSSYB104K16
C	1048,1060,1063,1065		DCH1201	C	1848,1867		CEVW220M6R3
C	1055,1057,1059,1061		CKSSYB104K16	C	1864,1869,1884		CKSSYB104K16
C	1067,1068,1071,1072		CKSSYB104K16	C	1866,1906,1936,1940		CCSSCH331J50
C	1074,1089-1091,1205		DCH1201	C	1871,9422		CKSSYB472K50
C	1075,1203,1357,1664		CEVW101M4	C	1883,1886,9010,9035		CKSSYB103K25
C	1079,1080,1225,1226		CCSSCH331J50	C	1887-1889,1894,1896		CKSSYB104K16
C	1084,1215,1220,1231		CCSSCH101J50	C	1895,9039,9054,9069		CCSSCH471J50
C	1092-1094,1110-1112		CKSSYB104K16	C	1901,1905,1910,9001		CKSSYB104K16
C	1101-1103,1107-1109		CCSSCH180J50	C	1903,9409		CKSSYB332K50
C	1115,1118,1206,1213		CKSSYB104K16	C	1908,1931,9009,9022		CCSSCH100D50
C	1116,1119,1506,1510		CCSSCH471J50	C	1933,1935,9201,9284		CCG1222
C	1211,1228,1230		DCH1201	C	9003,9006,9007,9012		CKSSYB104K16
C	1222,1686,1693		CKSRYP105K16	C	9013,9015,9016,9021		CCSSCH331J50
C	1223,1229,1236,1240		CKSSYB104K16	C	9014,9017,9018,9020		CKSSYB104K16
C	1238,1243,1270,1328		CKSSYB103K25	C	9023,9025,9028,9031		CKSSYB104K16
C	1244,1248,1251,1274		CCSSCH331J50	C	9024,9027,9046,9053		CCSSCH101J50
C	1246,1256,1268,1278		CCSSCH101J50	C	9026,9032,9033,9038		CCSSCH331J50
C	1254,1267,1272,1276		CKSSYB104K16	C	9034,9037,9050,9126		CCSSCH100D50
C	1282,1285,1289,1297		CKSSYB104K16	C	9036,9042-9045,9047		CKSSYB104K16
C	1286,1322,1333,1339		CCSSCH101J50	C	9040,9041,9049,9086		CKSSYB103K25
C	1294,1311,1323,1324		CCSSCH331J50	C	9048,9051,9055,9061		CCSSCH331J50
C	1299,1637,1835,9065		CCSSCH221J50	C	9052,9058-9060,9063		CKSSYB104K16
C	1305,1318,1319,1325		CKSSYB104K16	C	9056,9057,9072,9085		CCSSCH101J50
C	1313,1326		CCSSCH150J50	C	9062,9064,9074,9076		CCSSCH331J50
C	1334,1342,1343,1380		CKSSYB104K16	C	9066,9068,9071,9073		CKSSYB104K16
C	1346,1347,1359,1381		CCSSCH331J50	C	9087,9088,9090-9093		CKSSYB104K16
C	1352-1354,1428,1605		DCH1201	C	9089,9094,9152,9202		CKSSYB103K25
C	1358,1427,9217,9436		CEVW221M4	C	9095-9098,9144,9147		CKSSYB104K16
C	1384,1391,1392,1394		CKSSYB104K16	C	9143,9156,9206,9209		CCSSCH331J50
C	1388,1411,1523,1526		CCSSCH331J50	C	9148,9222,9289,9291		CCSSCH471J50
C	1390,1393,1395,1424		CCSSCH101J50	C	9203,9205,9210,9212		CKSSYB104K16
C	1398,1408,1608,1610		CKSSYB103K25	C	9204,9211,9220,9224		CCSSCH101J50
C	1401,1409,1426,1501		CKSSYB104K16	C	9207,9223,9244,9252		CKSSYB103K25
C	1410,1502,1518,1697		CCSSCH100D50	C	9208,9229,9241,9269		CCSSCH100D50
C	1425,1503,1527,1611		CCSSCH101J50	C	9213,9216,9219,9221		CKSSYB104K16
C	1505,1508,1522,1524		CKSSYB104K16	C	9214,9215,9235,9243		CCSSCH331J50
C	1509		CEAK102M16-P35	C	9225,9238,9253,9257		CCSSCH101J50
C	1511,1513,1609,1615		CCSSCH471J50	C	9227,9231,9234,9237		CKSSYB104K16
C	1528,1538,1539,1541		CCSSCH331J50	C	9230,9233,9236,9239		DCH1201
C	1545-1547,1552,1613		CCSSCH331J50	C	9232,9249,9255,9279		CCSSCH102J50
C	1551,1614,1634,1640		CKSSYB104K16	C	9240,9242,9256,9266		CKSSYB104K16
C	1601,1644,1662,1818		CCSSCH102J50	C	9245,9246		CCSSCH120J50
C	1612,1616,1651,1695		DCH1246	C	9248		CKSQYB225K16
C	1628,1636,1655,1702		CCSSCH101J50	C	9251,9263,9265,9267		CCSSCH331J50
C	1630,1646,1654,1850		CKSSYB103K25	C	9254,9258,9260,9270		CKSSYB103K25
C	1641,1653,1673,1802		CKSSYB104K16	C	9259,9261,9275,9277		CCSSCH101J50
C	1650,9184,9226,9228		DCH1201	C	9264,9318,9491,9609		DCH1246
C	1652,1666,1675,1816		CCSSCH471J50	C	9268,9272,9274,9278		CKSSYB104K16
C	1674,1676,1678,1680		VCG1066	C	9271,9281,9309,9319		CCSSCH331J50
C	1683,1685,1689,1691		VCG1066	C	9273,9301,9401,9402		CCSSCH100D50
C	1696,1839,9030,9262		DCH1246	C	9276,9282,9283,9286		CKSSYB103K25
C	1701,1824,1830,1851		CCSSCH331J50	C	9280,9288,9294,9311		CKSSYB104K16
C	1801,1814,1822,1891		CEVW221M10	C	9285,9403,9405,9433		CCG1222
C	1806,1819,1938,9075		CKSRYP104K50	C	9287,9293,9295,9310		CCSSCH101J50
C	1807,1893,9011,9019		CCSSCH101J50	C	9290,9292,9333,9638		CKSSYB103K25
C	1815,1823,1827,1828		CKSSYB104K16	C	9297,9326,9429		CCSSCH102J50
C	1821,9004,9005,9029		CEVW101M4	C	9298-9300		ACG1150

Mark	No.	Description	Part No.	Mark	No.	Description	Part No.
	C	9302	CKSSYB223K16		KN 7001	SCREW PLATE	VNE1948
A	C	9334,9335,9337,9408	CKSSYB104K16		KN 7005,7006	EARTH TERMINAL	AKF7002
	C	9336,9430,9639,9645	CCSSCH471J50		CN 7003	B TO B 13PIN PLUG	AKM7102
	C	9338,9420,9434,9542	CCSSCH101J50		CN 7004,7011	B TO B 19PIN PLUG	AKM7105
	C	9407,9412,9417,9418	ACG1128		CN 7006	CONNECTOR	9604S-19C
	C	9410,9421,9423,9469	CKSSYB104K16		CN 7009	CONNECTOR	CKS3368
	C	9411,9424,9487,9498	CCSSCH331J50		CN 7010	CONNECTOR	9604S-15C
	C	9413,9426,9431,9432	CCSSCH100D50		JH 7001,7003,7004	PCB BINDER	AEF7008
	C	9425	ACG1128		JP 7001	HOUSING	ADX7747
	C	9435,9438,9440,9486	CCG1222				
	C	9485,9492,9495,9533	CCSSCH100D50				
	C	9488,9493,9496,9532	CCG1222				
B	C	9489,9499,9613,9625	CEVW101M4				
	C	9490,9497,9506,9528	CKSSYB104K16				
	C	9507,9529,9548,9551	CCSSCH331J50				
	C	9534,9582,9590	CCG1222				
	C	9543,9544	CKSRYB104K50				
	C	9545,9546	CEVW221M10				
	C	9549,9598,9850,9851	CCSSCH100D50				
	C	9581,9597,9616,9617	CCSSCH101J50				
	C	9585,9602,9604,9606	CCSSCH331J50				
	C	9608,9612,9623,9635	CCSSCH331J50				
	C	9610,9624	DCH1201				
C	C	9615,9627-9630,9634	DCH1246				
	C	9636,9640,9646,9648	CKSSYB104K16				
	C	9637,9649	CCSSCH101J50				
	C	9642,9814,9824	CCSSCH331J50				
	C	9644	DCH1246				
	C	9647,9651,9653,9655	CCSSCH471J50				
	C	9650,9654,9821,9822	CKSSYB103K25				
	C	9652,9656,9813	CKSSYB104K16				
	C	9823	CCSSCH821J50				
	C	9853-9860	CCSSCH331J50				

**RESISTORS**

R	7108	RS1/8SQ105J
R	7139,7140	RS1/4SA150J
R	7145-7148	RS1/4SA0R0J
	Other Resistors	RS1/10SR###J

**CAPACITORS**

C	7002-7005,7110,7134	CCSRCH100D50
C	7006,7012,7080,7082	CCSRCH102J50
C	7007,7011,7015,7081	CKSRYB104K50
C	7013,7016,7022	CKSRYB103K50
C	7023,7026	CKSRYB153K50
C	7083,7114	CKSRYB104K50
C	7095	CEAK100M50
C	7101	CCSRCH101J50
C	7108	CEAK470M25
C	7111,7113	CCSRCH331J50
C	7112	CEAK221M16
C	7120,7121	CKSQYB105K25
C	7135	CCSRCH102J50

**G COMPONENT ASSY****SEMICONDUCTORS**

IC	8301	NJW1327FU1
IC	8401	NJM2505AF
IC	8501	PDC162A
IC	8601	HIN202EIBNZ
Q	8301,8604	ISA1602AM1

Q	8302,8501,8603	2SC4154-11
Q	8303,8605	RT1N141M-11
Q	8401	2SC5712
Q	8402	2SA2070
D	8301,8302,8601,8605	1SS355

D	8401	1SS302
---	------	--------

**MISCELLANEOUS**

L	8501	CHIP COIL	LCYA330J2520
JA	8301	6P PIN JACK NI	AKB7224
JA	8304	3P PIN JACK NI	AKB7227
JA	8601	9P D-SUB SOCKET	AKP7256
X	8501	CRYSTAL RESONATOR	ASS7080

CN	8301	B TO B CONNECTOR	AKM7221
CN	8303	20P PLUG	AKM7171
CN	8401	PLUG(2P)	KM200NA2L
JP	8402	CONNECTOR ASS'Y	PF04PG-S10

**F INTERFACE ASSY****SEMICONDUCTORS**

Q	7001-7003,7013,7015	RT1N241M
Q	7005,7021	ISA1602AM1
Q	7008,7010	2SA1366
Q	7014,7016	RT1P241M-11
Q	7022	RSR015P03

Q	7023,7024	2SC4154-11
Q	7025-7028	INC2002AC1
D	7005	1SS301
D	7007,7009	1SS357
D	7024	1SS355

D	7025	RB551V-30
---	------	-----------

**MISCELLANEOUS**

L	7001	CHIP SOLID INDUCTOR	ATL7002
L	7005-7007	CHIP SOLID INDUCTOR	QTL1013
JA	7001,7004,7005	JACK	VKB1243
JA	7002	MINI JACK	QKN1013
JA	7003	JACK	AKN-209

Mark No.	Description	Part No.
<b>RESISTORS</b>		
R	8301-8306	RS1/10SR75R0F
R	8310,8312,8314	RS1/10SR68R0F
R	8417	RS1/8SQ105J
R	8418	RS1/8SQ561J
	Other Resistors	RS1/10SR###J

**CAPACITORS**

C	8301,8302,8383,8417	CEAK101M16
C	8303,8319,8320,8333	CCSRCH102J50
C	8304,8308,8310,8314	CKSRYP104K50
C	8305-8307,8313,8315	DCH1201
C	8309,8317,8322,8340	CKSQYB105K25
C	8311,8312,8330,8331	CKSRYP103K50
C	8316,8318,8321,8323	CKSRYP104K50
C	8324,8326,8341-8343	DCH1201
C	8325,8327,8328,8336	CKSRYP104K50
C	8334,8389,8403,8408	CCSRCH102J50
C	8335,8376,8377,8379	CCSRCH100D50
C	8337,8344,8347-8349	CKSRYP104K50
C	8338,8339,8360,8402	CKSRYP103K50
C	8345,8346,8404,8405	DCH1201
C	8354,8355,8381,8382	CKSRYP105K16
C	8358,8359,8394	CCSRCH470J50
C	8384,8385,8388	CKSRYP473K50
C	8386	CKSRYP562K50
C	8387,8390	CKSRYP105K16
C	8395,8401,8522,8523	CKSRYP104K50
C	8406,8407,8503,8509	CCSRCH101J50
C	8409,8414	DCH1201
C	8410,8413,8415,8421	CCSRCH102J50
C	8418,8520,8521,8613	CEAK101M16
C	8419,8420	CEAK221M16
C	8422,8501,8513	CCSRCH102J50
C	8504,8505	CCSRCH5R0C50
C	8506,8508	CCSRCH240J50
C	8507,8510	CCSRCH122J50
C	8511,8512,8614	CCSRCH101J50
C	8515,8601,8607	CKSRYP103K50
C	8602,8604-8606	CKSRYP104K50
C	8608	CCSRCH471J50
C	8610	CCSRCH331J50
C	8611,8612,8617,8619	CCSRCH100D50

**H COMPOSITE ASSY****SEMICONDUCTORS**

Q	3601,3604,3608	ISA1602AM1
Q	3602,3603,3607	HN1C01FU

**MISCELLANEOUS**

JA	3601-3603 2P PIN JACK	AKB7229
JA	3605 1P PIN JACK	AKB7231
CN	3601 20P SOCKET	AKP7249

**RESISTORS**

R	3606,3609,3627	RS1/10SR68R0F
R	3629-3632	RS1/10SR75R0F
	Other Resistors	RS1/10SR###J

Mark No.	Description	Part No.
<b>CAPACITORS</b>		
C	3602,3603,3605,3606	CKSRYP104K50
C	3607,3619,3620	CCSRCH181J50
C	3612,3613,3615,3616	CKSRYP104K50
C	3614,3617	CCSRCH102J50
C	3621-3624	CEAK101M16

**I MIC HP ASSY****SEMICONDUCTORS**

IC	3471	NJM4565MD
Q	3451	RT1N241M
Q	3452-3455	INC2002AC1
D	3473-3475	RKZ5.1KG(B2)

**MISCELLANEOUS**

JA	3471 JACK	VKB1243
JA	3472 JACK	AKB7219
JA	3476 HEADPHONE JACK	XKB3066
KN	3471,3472 EARTH TERMINAL	AKF7002
CN	3472 CONNECTOR	9604S-15C

**RESISTORS**

R	3456,3459	RS1/4SA0R0J
R	3495	RS1/10SR75R0F
	Other Resistors	RS1/10SR###J

**CAPACITORS**

C	3451,3452	CKSRYP822K50
C	3457,3475,3479,3494	CCSRCH101J50
C	3460	DCH1165
C	3473	CCSRCH471J50
C	3476,3477	CCSRCH330J50

C	3478	CEAK100M50
C	3480	DCH1201
C	3483,3484	CEAK101M16
C	3485	CKSRYP105K16
C	3486,3496	CKSRYP103K50

C	3488	CKSRYP223K50
C	3490,3497	CCSRCH331J50
C	3495	CKSRYP104K50

**J DISPLAY ASSY****SEMICONDUCTORS**

IC	3001	PDC203B8
IC	3003	NJM2878F3-33
IC	3201	PE5615A
Q	3004	2SK2034
Q	3203-3207,3210-3213	RT1N241M

Q	3216	ISA1602AM1
D	3002	RB751V-40
D	3003,3006	1SS302
D	3004	1SS301
D	3005	1SS300

D	3204,3206,3208,3210	SLR343BC4T(JKLM)
D	3212	SLR343BC4T(JKLM)
D	3214	1SS355

**Mark No. Description Part No.****MISCELLANEOUS**

L 3001	CHIP SOLID INDUCTOR	ATL7002
KN3201	FL HOLDER(FE)	VNF1096
V 3301	FL TUBE DISPLAY	AAV7115
S 3001-3019	SWITCH	ASG7029
X 3001	CRYSTAL OSCILLATOR	CSS1653
X 3201	CERAMIC RESONATOR	VSS1142
CN3001	39P CONNECTOR	VKN2098
CN3004	7P CONNECTOR	VKN1822

**RESISTORS**

All Resistors	RS1/10SR###J
---------------	--------------

**MISCELLANEOUS**

JH 3002	4P CABLE HOLDER	51048-0400
JH 3003,3004	3P CABLE HOLDER	51048-0300
JP 3001	HOUSING	ADX7776
JP 3002	JUMPER WIRE	D20PYY0410E
JP 3003,3004	JUMPER WIRE	D20PYY0310E
U 3201	REMOTE RECEIVER UNIT	GP1UE274XKC1

**CAPACITORS**

C 3002,3009,3013,3014	CKSRYP104K50
C 3004,3005	CCSRCH120J50
C 3006,3020,3021,3209	CKSRYP105K16
C 3007,3008,3011,3205	CCSRCH471J50
C 3010,3042	CCSRCH101J50
C 3012	CKSRYP472K50
C 3015,3016	CKSRYP473K50
C 3017,3022,3102,3202	CCSRCH331J50
C 3018,3035,3045	CKSRYP103K50
C 3023,3025,3027,3038	CKSRYP104K50

C 3039,3208	CEAK221M16
C 3043	CCSRCH150J50
C 3048,3058,3101,3207	CCSRCH100D50
C 3103,3105,3201,3204	CKSRYP104K50
C 3104	CCSRCH330J50

C 3211,3213	CEAK101M16
C 3212,3221-3223,3303	CCSRCH331J50
C 3214,3216,3217	CCSRCH221J50
C 3215,3218	CCSRCH470J50
C 3302,3311-3326	CCSRCH471J50

C 3304,3307	CKSRYP104K50
C 3305,3308,3328	CEAK470M50
C 3306,3344,3345	CCSRCH331J50
C 3327	CEAK101M35
C 3335-3337,3341	CKSRYP103K50

C 3338,3340,3343	CCSRCH100D50
C 3339	CCSRCK2ROC50

**K VOL ASSY****MISCELLANEOUS**

S 3371	ROTARY ENCODER	ASX7053
CN3371	3P JUMPER CONNECTOR	52147-0310

**CAPACITORS**

C 3371,3372	CKSRYP103K50
-------------	--------------

**Mark No. Description Part No.****L POWER SW ASSY****SEMICONDUCTORS**

Q 3401	RT1N431M
D 3402	SLR343BC4T(JKLM)

**MISCELLANEOUS**

S 3401	SWITCH	VSG1024
CN 3401	4P JUMPER CONNECTOR	52147-0410

**RESISTORS**

All Resistors	RS1/10SR###J
---------------	--------------

**CAPACITORS**

C 3401	CCSRCH221J50
C 3402	CKSRYP104K16

**M ENCODER ASSY****MISCELLANEOUS**

S 3501	ROTARY ENCODER	ASX7054
CN 3501	3P JUMPER CONNECTOR	52147-0310

**RESISTORS**

All Resistors	RS1/10SR###J
---------------	--------------

**CAPACITORS**

C 3501,3502	CKSRYP103K50
-------------	--------------

**N IR BUFFER ASSY****SEMICONDUCTORS**

IC 6801,6821,6841,6861	UPC4570G2-A
IC 6881,7451,7471	UPC4570G2-A
IC 7491	TC4053BFN
Q 6801,6821,6841,6861	INC2002AC1
Q 6881,7451,7471	INC2002AC1

**MISCELLANEOUS**

KN 6801	WRAPPING TERMINAL	CKF1089
CN 6802,6803	B TO B 23PIN PLUG	AKM7107
CN 6804	B TO B 19PIN JACK	AKN7071

**RESISTORS**

R 6801,6802,6807,6808	RS1/10SR5601F
R 6806,6826,6846,6866	RS1/10SR22R0F
R 6815	RS1/8SQ204J
R 6816,6835,6836,6855	RS1/8SQ225J
R 6821,6822,6827,6828	RS1/10SR5601F

R 6841,6842,6847,6848	RS1/10SR5601F
R 6856,6875,6876,6895	RS1/8SQ225J
R 6861,6862,6867,6868	RS1/10SR5601F
R 6869,6889	RS1/10SR1000F
R 6881,6882,6887,6888	RS1/10SR5601F

R 6886,7456,7476	RS1/10SR22R0F
R 6896,7465,7466,7485	RS1/8SQ225J
R 6915,6916,6935,6936	RS1/8SQ0R0J
R 7451,7452,7457,7458	RS1/10SR5601F
R 7471,7472,7477,7478	RS1/10SR5601F



Mark	No.	Description	Part No.	Mark	No.	Description	Part No.
	R	7486	RS1/8SQ225J		Q	4031,4033	RT1P241M-11
	R	7491,7492	RS1/8SQ105J		Q	4032,4112,4312,4512	RT1N140M
	R	8851-8855,8864,8865	RS1/8SQ0R0J		Q	4037,4038,4103-4105	2SC4154-11
		Other Resistors	RS1/10SR###J	⚠	Q	4101,4102,4201,4202	IRF6775MPBF
					Q	4107,4111,4113,4206	ISA1602AM1
<b>CAPACITORS</b>					Q	4108,4203-4205,4208	2SC4154-11
	C	6801,6802,6821,6822	CFHXSQ103J16		Q	4110,4210,4310,4410	2SA1514K
	C	6807,6808,6827,6828	CEAK220M50		Q	4207,4211,4213,4306	ISA1602AM1
	C	6841,6842,6861,6862	CFHXSQ103J16	⚠	Q	4301,4302,4401,4402	IRF6775MPBF
	C	6847,6848,6867,6868	CEAK220M50		Q	4303-4305,4308	2SC4154-11
	C	6881,6882,7451,7452	CFHXSQ103J16		Q	4307,4311,4313,4406	ISA1602AM1
	C	6887,6888,7457,7458	CEAK220M50		Q	4403-4405,4408	2SC4154-11
	C	7471,7472,7494,7497	CFHXSQ103J16		Q	4407,4411,4413,4506	ISA1602AM1
	C	7477,7478	CEAK220M50	⚠	Q	4501,4502,4601,4602	IRF6775MPBF
	C	7495	CCSRCH100D50		Q	4503-4505,4508	2SC4154-11
<b>Q BUFFER GND ASSY</b>					Q	4507,4511,4513,4606	ISA1602AM1
<b>MISCELLANEOUS</b>					Q	4510,4610,4710	2SA1514K
	KN	6961 SCREW PLATE	VNE1948		Q	4603-4605,4608	2SC4154-11
	KN	6962 SCREW PLATE(MTL)	ANG7591	⚠	Q	4607,4611,4613,4706	ISA1602AM1
					Q	4701,4702	IRF6775MPBF
<b>P IR INTERFACE ASSY</b>					Q	4703-4705,4708	2SC4154-11
<b>MISCELLANEOUS</b>					Q	4707,4711,4713	ISA1602AM1
	CN	3801,3802 B TO B 23PIN JACK	AKN7073		Q	4712,5012	RT1N140M
	CN	3810,3850,3890 B TO B CONNECTOR	AKN7155		D	4000,4001,4005,4101	1SS355
	CN	3830,3840,3860,3870 5P SOCKET	KP200IB5L		D	4011,4012	1SS301
	CN	3880 5P SOCKET	KP200IB5L		D	4013,4014,4018,4019	RKZ24KG(B2)
					D	4015,4020	RKZ27KG(B)
					D	4017,4021	RKZ18KG(B2)
					D	4108,4109,4208,4209	RF101L2S
					D	4117,4217,4317,4417	RF071M2S
					D	4118,4218,4318,4418	CMH07
					D	4119,4201,4219,4301	1SS355
					D	4308,4309,4408,4409	RF101L2S
					D	4319,4401,4419,4501	1SS355
					D	4508,4509,4608,4609	RF101L2S
					D	4517,4617,4717,5000	RF071M2S
					D	4518,4618,4718	CMH07
					D	4519,4601,4619,4701	1SS355
					D	4708,4709	RF101L2S
					D	4719	1SS355
<b>Q D-AMP_S ASSY</b>				<b>MISCELLANEOUS</b>			
<b>SEMICONDUCTORS</b>				L	4100,4200,4300,4400 OTHER COIL	ATH7090	
	IC	4001	BU7262SFVM	L	4500,4600,4700 OTHER COIL	ATH7090	
	IC	4004	TC74VHC08FK	JA	4101 SPEAKER TERMINAL 6-P	AKE7107	
	IC	4005	HA17431GLTPA	JA	4301,4501 SPEAKER TERMINAL 4-P	AKE7109	
	IC	4007	BU4094BCFV	JA	5101 SPEAKER TERMINAL 4-P	AKE7109	
⚠	IC	4008	NJM78M05DL1A	KN	4000 WRAPPING TERMINAL	CKF1089	
⚠	IC	4009	NJM79M05DL1A	KN	4100,4200,4300,4400 SCREW PLATE	VNE1948	
⚠	IC	4101,4201,4301,4401	IRS2092SPBF	KN	4500 SCREW PLATE	VNE1948	
⚠	IC	4102,4203,4302,4403	NJM2830U1-12	KN	4502,4901 EARTH TERMINAL	AKF7002	
⚠	IC	4204,4404,4604,4704	NJM12904V	RY	4100,4300,4500,4700 RELAY	ASR7001	
⚠	IC	4501,4601,4701	IRS2092SPBF	RY	5000 RELAY	ASR7001	
⚠	IC	4502,4603,4703	NJM2830U1-12	CN	4000 CONNECTOR	9604S-19C	
	Q	4000,4002,4036	RT1N241M	CN	4002 PLUG(2P)	KM200NA2	
	Q	4001,4020,4026,4106	ISA1602AM1	CN	4003 PLUG(4P)	KM200NA4	
	Q	4004,4006,4008,4018	RT1P241M-11	CN	4004 PLUG(7P)	KM200NA7	
	Q	4005,4007,4009,4019	RT1N140M	CN	4100,4300,4400,4600 5P PLUG	KM200IB5	
	Q	4012,4035	HN1A01FU	CN	4200,4500,4900 B TO B CONNECTOR	AKM7225	
	Q	4014,4016,4027,4029	HN1C01FU		CN	4700 5P PLUG	KM200IB5
	Q	4015,4021-4023,4025	2SC4154-11				
	Q	4017,4030,4034	DTC115EUA				
	Q	4024	2SC3906K				

Mark	No.	Description	Part No.	Mark	No.	Description	Part No.
<b>RESISTORS</b>							
A	R	4042	RS1/8SQ0R0J	R	4395-4398,4486		RS1/8SQR47J
	R	4057	RS1/8SQ471J	R	4495-4498,4586		RS1/8SQR47J
	R	4060	RS1/10SR5602F	R	4501,4601,4701		RS1/10SR3001F
	R	4061	RS1/10SR3302F	R	4503,4562,4603,4662		RS1/4SA103J
	R	4101,4201,4301,4401	RS1/10SR3001F	R	4507,4587,4588,4607		ACN7180
	R	4103,4162,4203,4262	RS1/4SA103J	R	4511-4514,4611-4614		RS1/4SA2R2J
	R	4107,4187,4188,4207	ACN7180	R	4515,4615,4715		ACN7192
	R	4111-4114,4211-4214	RS1/4SA2R2J	R	4516,4578,4616,4678		ACN7198
	R	4115,4215,4315,4415	ACN7192	R	4519,4520,4567,4619		RS1/10SR1001F
	R	4116,4178,4216,4278	ACN7198	R	4522,4523,4622,4623		ACN7196
B	R	4119,4120,4167,4219	RS1/10SR1001F	R	4525,4526,4625,4626		ACN7094
	R	4122,4123,4222,4223	ACN7196	R	4527,4627,4727		RS1/4SA104J
	R	4125,4126,4225,4226	ACN7094	R	4529,4629,4729		RS1/8SQ182J
	R	4127,4227,4327,4427	RS1/4SA104J	R	4530,4531,4534,4630		RS1/8SQ103J
	R	4129,4229,4329,4429	RS1/8SQ182J	R	4532,4632,4732		RS1/8SQ123J
	R	4130,4131,4134,4230	RS1/8SQ103J	R	4533,4577,4633,4677		ACN7197
	R	4132,4232,4332,4432	RS1/8SQ123J	R	4535,4635,4735		RS1/8SQ752J
	R	4133,4177,4233,4277	ACN7197	R	4536,4636,4736		RS1/8SQ242J
	R	4135,4235,4335,4435	RS1/8SQ752J	R	4537,4540,4541,4637		ACN7165
	R	4136,4236,4336,4436	RS1/8SQ242J	R	4538,4638,4738		RS1/8SQ4R7J
C	R	4137,4140,4141,4237	ACN7165	R	4539,4639,4739		RS1/8SQ100J
	R	4138,4238,4338,4438	RS1/8SQ4R7J	R	4542,4543,4642,4643		ACN7189
	R	4139,4239,4339,4439	RS1/8SQ100J	R	4545,4645,4745		RS1/10SR4701F
	R	4142,4143,4242,4243	ACN7189	R	4548,4648,4748		RS1/10SR3901F
	R	4145,4245,4345,4445	RS1/10SR4701F	R	4550,4650,4750		RS1/10SR2200F
	R	4148,4248,4348,4448	RS1/10SR3901F	R	4552,4557,4652,4657		RS1/10SR6802F
	R	4150,4250,4350,4450	RS1/10SR2200F	R	4554,4654,4754		ACN7186
	R	4152,4157,4252,4257	RS1/10SR6802F	R	4555,4568,4655,4668		RS1/10SR4702F
	R	4154,4254,4354,4454	ACN7186	R	4556,4656,4756		RS1/10SR8201F
	R	4155,4168,4255,4268	RS1/10SR4702F	R	4563,4663,4763		RS1/10SR2701F
D	R	4156,4256,4356,4456	RS1/10SR8201F	R	4566,4666,4766,5001		RS1/10SR1002F
	R	4163,4263,4363,4463	RS1/10SR2701F	R	4569,4669,4769		RS1/10SR3902F
	R	4166,4266,4366,4466	RS1/10SR1002F	⚠	4581,4681,4781		NTCG104KF104FB
	R	4169,4269,4369,4469	RS1/10SR3902F	R	4593,4693,4793		RS1/8SQ1R0J
	R	4181,4281,4381,4481	NTCG104KF104FB	R	4595-4598,4686		RS1/8SQR47J
	R	4186,4195-4198,4286	RS1/8SQR47J	R	4620,4667,4719,4720		RS1/10SR1001F
	R	4193,4293,4393,4493	RS1/8SQ1R0J	R	4631,4634,4730,4731		RS1/8SQ103J
	R	4220,4267,4319,4320	RS1/10SR1001F	R	4640,4641,4737,4740		ACN7165
	R	4231,4234,4330,4331	RS1/8SQ103J	R	4687,4688,4707,4787		ACN7180
	R	4240,4241,4337,4340	ACN7165	R	4695-4698,4786		RS1/8SQR47J
E	R	4287,4288,4307,4387	ACN7180	R	4703,4762		RS1/4SA103J
	R	4295-4298,4386	RS1/8SQR47J	R	4711-4714		RS1/4SA2R2J
	R	4303,4362,4403,4462	RS1/4SA103J	R	4716,4778		ACN7198
	R	4311-4314,4411-4414	RS1/4SA2R2J	R	4722,4723		ACN7196
	R	4316,4378,4416,4478	ACN7198	R	4725,4726		ACN7094
	R	4322,4323,4422,4423	ACN7196	R	4733,4777		ACN7197
	R	4325,4326,4425,4426	ACN7094	R	4734,5029,5030		RS1/8SQ103J
	R	4333,4377,4433,4477	ACN7197	R	4741		ACN7165
	R	4334,4430,4431,4434	RS1/8SQ103J	R	4742,4743		ACN7189
	R	4341,4437,4440,4441	ACN7165	R	4752,4757		RS1/10SR6802F
F	R	4342,4343,4442,4443	ACN7189	R	4755,4768		RS1/10SR4702F
	R	4352,4357,4452,4457	RS1/10SR6802F	R	4767,5000		RS1/10SR1001F
	R	4355,4368,4455,4468	RS1/10SR4702F	R	4788,5003,5004,5026		ACN7180
	R	4367,4419,4420,4467	RS1/10SR1001F	R	4795-4798		RS1/8SQR47J
	R	4388,4407,4487,4488	ACN7180	R	4807,4822,4887,4888		RS1/4SA0R0J
	R	4907,4922,4987,4988		R	4907,4922,4987,4988		RS1/4SA0R0J
	R	5006-5009		R	5011,5017,5025		RS1/4SA105J
	R	5012,5013,5016,5020		R	5012,5013,5016,5020		RS1/8SQ473J
	R	5014,5022		R	5014,5022		RS1/8SQ104J
	R			R			RS1/8SQ683J

Mark	No.	Description	Part No.
R	5015,5023		RS1/8SQ223J
R	5018		RS1/8SQ474J
R	5019		RS1/8SQ224J
R	5021,5024		RS1/8SQ104J
R	5039,5040		RS1/8SQ222J
R	5059,5159		ACN7180
	Other Resistors		RS1/10SR###J

**CAPACITORS**

C	4007,4011,4013		CCSRCH331J50
C	4008,4010,4036,4052		ACH7321
C	4009,4014-4016,4087		CCSRCH101J50
C	4018,4044,4088		CCSRCH221J50
C	4022,4040,4112,4212		CCG1255
C	4023		CEHVW100M16
C	4024,4166,4167,4266		ACH1479
C	4026,4035,4086,4113		CKSRYB104K50
C	4046-4048,4050,4051		CCSRCH331J50
C	4057,4058		ACH7305
C	4063		ACH7311
C	4065,4066,4110,4310		CEAK100M50
C	4067,4068,4073,4074		CFHXSQ103J16
C	4069,4070		CEAK101M16
C	4077		CCSRCH100D50
C	4078,4079,4180,4182		ACE7090
C	4080,4098,4099,4105		CFHXSQ102J50
C	4092-4094		CCSRCH331J50
C	4097		CCSRCH101J50
C	4100,4200,4300,4400		CFTLA104J2A
C	4101,4201,4301,4401		CFTLA474J2A
C	4108,4109,4208,4209		ACH7320
C	4119,4219,4319,4419		ACG7110
C	4120,4123,4205,4220		CFHXSQ102J50
C	4121,4122,4221,4222		CFHXSQ103J16
C	4134,4136,4234,4236		ACH7376
C	4149,4150,4249,4250		ACH7359
C	4156,4256,4356,4456		CKSRYB473K50
C	4159,4160,4259,4260		ACG7107
C	4161,4175,4261,4275		ACG7105
C	4213,4313,4413,4513		CKSRYB104K50
C	4223,4305,4320,4323		CFHXSQ102J50
C	4258,4458,4658,4758		CKSRYB103K50
C	4267,4366,4367,4466		ACH1479
C	4280,4282,4380,4382		ACE7090
C	4308,4309,4408,4409		ACH7320
C	4312,4412,4512,4612		CCG1255
C	4321,4322,4421,4422		CFHXSQ103J16
C	4334,4336,4434,4436		ACH7376
C	4349,4350,4449,4450		ACH7359
C	4359,4360,4459,4460		ACG7107
C	4361,4375,4461,4475		ACG7105
C	4405,4420,4423,4505		CFHXSQ102J50
C	4467,4566,4567,4666		ACH1479
C	4480,4482,4580,4582		ACE7090
C	4500,4600,4700		CFTLA104J2A
C	4501,4601,4701		CFTLA474J2A
C	4508,4509,4608,4609		ACH7320
C	4510,4710,5110		CEAK100M50
C	4519,4619,4719		ACG7110

Mark	No.	Description	Part No.
C	4520,4523,4605,4620		CFHXSQ102J50
C	4521,4522,4621,4622		CFHXSQ103J16
C	4534,4536,4634,4636		ACH7376
C	4549,4550,4649,4650		ACH7359
C	4556,4656,4756		CKSRYB473K50
C	4559,4560,4659,4660		ACG7107
C	4561,4575,4661,4675		ACG7105
C	4613,4713		CKSRYB104K50
C	4623,4705,4720,4723		CFHXSQ102J50
C	4667,4766,4767		ACH1479
C	4680,4682,4780,4782		ACE7090
C	4708,4709		ACH7320
C	4712		CCG1255
C	4721,4722		CFHXSQ103J16
C	4734,4736		ACH7376
C	4749,4750		ACH7359
C	4759,4760		ACG7107
C	4761,4775		ACG7105
C	5000		CFHXSQ102J50
C	5080,5082,5180,5182		ACE7090

**R PRIMARY ASSY**

**SEMICONDUCTORS**

⚠	IC 1	MIP4150MD
⚠	IC 52	NJM1431AF
	Q 71	INC2002AC1
⚠	D 1	D2SB60A
⚠	D 2	RD2ALF-A1
⚠	D 3	1SS403
⚠	D 4	RB751V-40
⚠	D 50	FMEN-220A
	D 71,72	1SS355

**MISCELLANEOUS**

⚠	L 1	LINE FILTER	ATF7046
	L 51	COIL	ATH7080
⚠	L 71	LINE FILTER	XTF3004
	H 1,2,71,72	FUSE CLIP	AKR1004
⚠	JA 71	AC INLET ASSY	ADX7513
	KN 1,2	SCREW PLATE	VNE1948
	KN 50,52	EARTH TERMINAL	AKF7002
⚠	RY 71	POWER RELAY	ASR7034
⚠	T 1	POWER TRANSFORMER	ATK7003
⚠	CN 81	CONNECTOR	B2P3-VH
	0	HEAT SINK(AL)	ANH7224
	0	HEAT SINK	ANH7251
	0	SCREW	BBZ30P080FCC
	JP 51	HOUSING	ADX7792
⚠	PC 1	PHOTO COUPLER	TLP781(GR)

**RESISTORS**

⚠	R 1,12	RS2LMF683J
⚠	R 9-11	ACN7173
	R 14	RS1/10SR1001F
	R 53	RS1/10SR1202F
	R 54	RS1/10SR7500F

Mark	No.	Description	Part No.	Mark	No.	Description	Part No.
	R 56		RS1/10SR1002F		Q 7203,7204,7207,7221		RT1N241M
	R 57		ACN7180		Q 7205,7206,7224		RT1P241M-11
	R 59		RS1/8SQ365J		Q 7211		2SD2400A
	R 74		RS1/8SQ105J	⚠	Q 7212		2SB1569A
	Other Resistors		RS1/10SR###J	⚠	Q 7222		RN2301

**CAPACITORS**

⚠	C 1	ACE7071
	C 3	ACH7342
⚠	C 4	ACE7089
⚠	C 5	ACG7102
	C 6	CKSQYB105K25

	C 7	ACH7370
	C 8,53,56	CKSRYB104K50
	C 9	CCSRCH100D50
	C 10	CEAK2R2M2A
⚠	C 12,21	VCG1046

	C 13	CCSRCH102J50
	C 16	CCSQCH101J50
	C 52	BCH1044
	C 58	ACH7369
	C 61	CCSRCH101J50

⚠	C 73	XCG3010
	C 74,75	CCSRCH220J50

**S A-REG ASSY****SEMICONDUCTORS**

⚠	IC 7501	NJM78M12FA
⚠	IC 7502	NJM79M12FA
⚠	D 7501-7504	1SR154-400
	D 7506,7507	1SS355

**MISCELLANEOUS**

	H 7501-7504 FUSE CLIP	AKR1004
	CN7501 5P TOP POST	B5B-EH
	CN7502 L-PLUG(5P)	KM200NA5L

**RESISTORS**

	All Resistors	RS1/8SQ###J
--	---------------	-------------

**MISCELLANEOUS**

	JH 7501,7502 PCB BINDER	AEF7008
--	-------------------------	---------

**CAPACITORS**

	C 7502,7524-7526	CKSRYB473K50
	C 7503	CEAK332M25
	C 7504	CFTLA394J50
	C 7505,7506	CKSRYB103K50
	C 7509,7510	CKSRYB104K50

	C 7511	CEAK222M25
	C 7515,7516	CEAK221M35

**T IR REG ASSY****SEMICONDUCTORS**

⚠	IC 7241	NJM78M15FA
⚠	IC 7251	NJM78M12FA
⚠	IC 7252	NJM79M12FA
⚠	IC 7271	NJM78M08FA
⚠	IC 7272	NJM79M08FA

	Q 7223,7225,7226	RT1N241M
	D 7200,7219,7255,7256	1SS355
	D 7213,7214	RKZ7.5KG(B2)
	D 7215,7216	1SR154-400
⚠	D 7241-7244,7251-7254	1SR154-400
⚠	D 7271-7274	1SR154-400
	D 7275,7276	1SS355
⚠	D 7400,7401	LN6SB60-4003

**MISCELLANEOUS**

	H 7201-7204,7241,7242 FUSE CLIP	AKR1004
	H 7251-7254 FUSE CLIP	AKR1004
	CN7201 8P TOP POST	B8B-EH
	CN7241 PLUG(2P)	KM200NA2
	CN7251 PLUG(7P)	KM200NA7
	CN7271 PLUG(4P)	KM200NA4
	CN7281 CONNECTOR	CKS3368
	CN7400 PLUG	CKS-556
	7400,7401 HEAT SINK	ANH7250
	7402,7403 SCREW	IBZ30P080FCC

	JH 7251-7254 PCB BINDER	AEF7008
	JP 7291 HOUSING	ADX7778

**RESISTORS**

	R 7211,7213	RD1/4MUF102J
	R 7245,7258,7259,7273	RS1/4SA105J
	R 7255,7256	RS1/8SQ220J
	R 7260	RS1/8SQ105J
	R 7272,7403,7404	ACN7180

	R 7274	RS1/4SA271J
	R 7275,7276	RS1/8SQ333J
	R 7277,7278	RS1/8SQ223J
	R 7400	RS1/4SA913J
	R 7401	RS1/4SA683J

	R 7402	RD1/4MUF100J
	R 7405,7406	RS1/4SA105J
	Other Resistors	RS1/10SR###J

**CAPACITORS**

	C 7203,7204	CCSRCH331J50
	C 7213,7214	CEAK101M16
	C 7215,7219	CEAK100M50
	C 7217,7218,7243,7253	CKSRYB103K50
	C 7221,7246	CEAK470M25

	C 7222,7294	CCSRCH471J50
	C 7240,7250,7270	CFTLA394J50
	C 7241,7251,7252	CEAK222M25
	C 7247	CCSRCH470J50
	C 7254,7273,7274	CKSRYB103K50

	C 7255,7256	CEAK221M35
	C 7271,7272	CEAK222M16
	C 7275,7276	CEAK221M16
	C 7400,7401	ACH7258
	C 7402,7403	CFTLA104J2A

**Mark No. Description** **Part No.**

## **U** V-REG ASSY

### **SEMICONDUCTORS**

△ IC 7551	NJM78M12FA
IC 7901	S-80848CNMC-B89
Q 7901	2SA1037K
△ D 7551,7554,7555	1SR154-400
D 7552,7556,7902	1SS355
△ D 7557-7559	1SR154-400
△ D 7560	D3SBA60(B)
D 7561	RKZ3.3KG(B2)
D 7562,7564	RKZ5.1KG(B2)
D 7563	PTZ22(B)
D 7901,7903	1SS301

### **MISCELLANEOUS**

H 7551-7554 FUSE CLIP	AKR1004
CN7551 5P TOP POST	B5B-EH
CN7552,7553 PLUG(7P)	KM200NA7
CN7554 PLUG(4P)	KM200NA4
CN7661 B TO B 19PIN JACK	AKN7071
CN7663 CONNECTOR	9604S-15C
CN7901,7902 39P CONNECTOR	VKN2097
7551 SCREW	BBZ30P080FCC
7552 HEAT SINK	ANH7251
JH 7901,7903,7904 PCB BINDER	AEF7008

### **RESISTORS**

△ R 7552	RD1/4MUF4R7J
R 7555	RD1/4MUF391J
R 7558	RS1/8SQ225J
R 7902,7905	RS1/8SQ105J
Other Resistors	RS1/10SR###J

### **CAPACITORS**

C 7551,7552,7569,7576	CKSRYB103K50
C 7554	CEAK471M35
C 7555	CEAK100M50
C 7557	CEAK102M35
C 7559,7560	CFLA104J50
C 7561	CEANP101M35
C 7563	CEAK221M35
C 7566	CEAK101M35
C 7568,7582,7920	CCSRCH101J50
C 7571	CEAK470M50
C 7572	CEAK101M16
C 7573	CEAK472M16
C 7574	CEAK222M16
C 7579,7580	CKSRYB103K50
C 7901,7903,7909,7915	CCSRCH100D50
C 7916,7936	CCSRCH100D50
C 7923	CKSRYB105K16

## **V** VREG CHILD ASSY

### **SEMICONDUCTORS**

△ IC 8701	NJM78M05FA
△ IC 8702	NJM79M05FA
D 8702,8703	1SS355

**Mark No. Description** **Part No.**

### **MISCELLANEOUS**

JP 8701 HOUSING	ADX7783
-----------------	---------

### **CAPACITORS**

C 8701,8702	CKSRYB103K50
C 8703,8704	CEAK101M16

## **W** CONNECT ASSY

### **MISCELLANEOUS**

CN 7801 B TO B 15PIN PLUG	AKM7103
CN 7802 B TO B 19PIN PLUG	AKM7105
CN 7803 B TO B 13PIN JACK	AKN7068
CN 7804 B TO B 19PIN JACK	AKN7071

### **RESISTORS**

R 7808-7820,7891-7897	RS1/10SR100J
Other Resistors	RS1/8SQ###J

### **CAPACITORS**

C 7813,7816	CCSRCH100D50
-------------	--------------

## **X** A-DAC BRIDGE ASSY

### **MISCELLANEOUS**

CN 3791,3792 14P PLUG	AKM7170
CN 3793,3794 B TO B CONNECTOR	AKM7176

### **RESISTORS**

All Resistors	RS1/10SR###J
---------------	--------------

### **CAPACITORS**

C 3798	CKSRYB104K50
--------	--------------

## **Y** D-AUDIO BRIDGE ASSY

### **MISCELLANEOUS**

CN 3771,3772 B TO B 23PIN PLUG	AKM7107
--------------------------------	---------

## **Z** D-FILTER BRIDGE ASSY

### **MISCELLANEOUS**

CN 7181,7183 B TO B 23PIN PLUG	AKM7107
CN 7182,7184 B TO B 13PIN PLUG	AKM7102

## **AA** PRE BRIDGE ASSY

### **MISCELLANEOUS**

CN 6953,6954 B TO B 19PIN PLUG	AKM7105
--------------------------------	---------

**Mark No. Description** \_\_\_\_\_ **Part No.** \_\_\_\_\_

**Mark No. Description** \_\_\_\_\_ **Part No.** \_\_\_\_\_

**AB FAN CONNECT\_S ASSY**

**AJ TRANS VREG STYL ASSY**

TRABS VREG STYL ASSY has no service parts.

**MISCELLANEOUS**

CN 3651,3652 PLUG(3P) KM200NA3  
JH 3651 PCB BINDER AEF7008

**AK IR EDGE GUARD ASSY**

IR EDGE GUARD ASSY has no service parts.

**AC BT ASSY**

**MISCELLANEOUS**

JA 8801 CONNECTOR CKS5712  
KN 8801 SCREW PLATE VNE1948  
CN 8801 B TO B 9PIN JACK AKN7066

**AL PANEL GUARD ASSY**

PANEL GUARD ASSY has no service parts.

**RESISTORS**

All Resistors RS1/16SS###J

**CAPACITORS**

C 8808 CCSSCH100D50  
C 8809 CEAK100M50

**AD MIC HP GUARD ASSY**

**MISCELLANEOUS**

JH 5921,5924 PCB BINDER AEF7008

**AE BIND DM CABLE ASSY**

**MISCELLANEOUS**

JH 3551 PCB BINDER AEF7008

**AF P WIRE GUARD ASSY**

**MISCELLANEOUS**

JH 3560 PCB BINDER AEF7008

**AG FFC GUARD ASSY**

FFC GUARD ASSY has no service parts.

**AH BIND FAN CABLE ASSY**

BIND FAN CABLE ASSY has no service parts.

**AI VREG GUARD ASSY**

VREG GUARD ASSY has no service parts.