

Pioneer

Service Manual



SC-75

ORDER NO.
RRV4461

AV RECEIVER

SC-75

SC-1528-K

SC-1523-K

SC-LX57

THIS MANUAL IS APPLICABLE TO THE FOLLOWING MODEL(S) AND TYPE(S).

Model	Type	Power Requirement	Remarks
SC-75	CUXJ	AC 120V	
SC-1528-K	CUXJ	AC 120V	
SC-1523-K	UXJCB	AC 120V	
SC-LX57	JXJ	AC 100V	

THIS SERVICE MANUAL SHOULD BE USED TOGETHER WITH THE FOLLOWING MANUAL(S).

Model No.	Order No.	Remarks
SC-75, SC-1528-K, SC-1523-K	RRV4449	BLOCK DIAGRAM, EXPLODED VIEWS AND PARTS LIST etc.



PIONEER CORPORATION 1-1, Shin-ogura, Saiwai-ku, Kawasaki-shi, Kanagawa 212-0031, Japan

PIONEER ELECTRONICS (USA) INC. P.O. Box 1760, Long Beach, CA 90801-1760, U.S.A.

PIONEER EUROPE NV Haven 1087, Keetberglaan 1, 9120 Melsele, Belgium

PIONEER ELECTRONICS ASIACENTRE PTE. LTD. 253 Alexandra Road, #04-01, Singapore 159936

©PIONEER CORPORATION 2013

K-FZV JULY 2013 Printed in Japan

1 2 3 4

SAFETY INFORMATION

This service manual is intended for qualified service technicians ; it is not meant for the casual do-it-yourselfer. Qualified technicians have the necessary test equipment and tools, and have been trained to properly and safely repair complex products such as those covered by this manual.

Improperly performed repairs can adversely affect the safety and reliability of the product and may void the warranty. If you are not qualified to perform the repair of this product properly and safely, you should not risk trying to do so and refer the repair to a qualified service technician.

WARNING

This product contains lead in solder and certain electrical parts contain chemicals which are known to the state of California to cause cancer, birth defects or other reproductive harm.

Health & Safety Code Section 25249.6 - Proposition 65

NOTICE

(FOR CANADIAN MODEL ONLY)

Fuse symbols (fast operating fuse) and/or (slow operating fuse) on PCB indicate that replacement parts must be of identical designation.

REMARQUE

(POUR MODÈLE CANADIEN SEULEMENT)

Les symboles de fusible (fusible de type rapide) et/ou (fusible de type lent) sur CCI indiquent que les pièces de remplacement doivent avoir la même désignation.

(FOR USA MODEL ONLY)

1. SAFETY PRECAUTIONS

The following check should be performed for the continued protection of the customer and service technician.

LEAKAGE CURRENT CHECK

Measure leakage current to a known earth ground (water pipe, conduit, etc.) by connecting a leakage current tester such as Simpson Model 229-2 or equivalent between the earth ground and all exposed metal parts of the appliance (input/output terminals, screwheads, metal overlays, control shaft, etc.). Plug the AC line cord of the appliance directly into a 120V AC 60 Hz outlet and turn the AC power switch on. Any current measured must not exceed 0.5 mA.

AC Leakage Test

ANY MEASUREMENTS NOT WITHIN THE LIMITS OUTLINED ABOVE ARE INDICATIVE OF A POTENTIAL SHOCK HAZARD AND MUST BE CORRECTED BEFORE RETURNING THE APPLIANCE TO THE CUSTOMER.

2. PRODUCT SAFETY NOTICE

Many electrical and mechanical parts in the appliance have special safety related characteristics. These are often not evident from visual inspection nor the protection afforded by them necessarily can be obtained by using replacement components rated for voltage, wattage, etc. Replacement parts which have these special safety characteristics are identified in this Service Manual.

Electrical components having such features are identified by marking with a on the schematics and on the parts list in this Service Manual.

The use of a substitute replacement component which does not have the same safety characteristics as the PIONEER recommended replacement one, shown in the parts list in this Service Manual, may create shock, fire, or other hazards.

Product Safety is continuously under review and new instructions are issued from time to time. For the latest information, always consult the current PIONEER Service Manual. A subscription to, or additional copies of, PIONEER Service Manual may be obtained at a nominal charge from PIONEER.

2

SC-75

1 2 3 4

CONTENTS

SAFETY INFORMATION.....	2	
10. SCHEMATIC DIAGRAM	6	
10.1 OVERALL WIRING DIAGRAM	6	A
10.2 AUDIO ASSY (1/4).....	8	
10.3 AUDIO ASSY (2/4).....	10	
10.4 AUDIO ASSY (3/4).....	12	
10.5 AUDIO ASSY (4/4).....	14	
10.6 DAC HIGH ASSY (1/3)	16	
10.7 DAC HIGH ASSY (2/3)	18	
10.8 DAC HIGH ASSY (3/3)	20	
10.9 FRONT HDMI USB ASSY	22	
10.10 USB RECT_S ASSY.....	24	
10.11 DIGITAL MAIN ASSY (1/12)	26	
10.12 DIGITAL MAIN ASSY (2/12)	28	
10.13 DIGITAL MAIN ASSY (3/12)	30	B
10.14 DIGITAL MAIN ASSY (4/12)	32	
10.15 DIGITAL MAIN ASSY (5/12)	34	
10.16 DIGITAL MAIN ASSY (6/12)	36	
10.17 DIGITAL MAIN ASSY (7/12)	38	
10.18 DIGITAL MAIN ASSY (8/12)	40	
10.19 DIGITAL MAIN ASSY (9/12)	42	
10.20 DIGITAL MAIN ASSY (10/12)	44	
10.21 DIGITAL MAIN ASSY (11/12)	46	
10.22 DIGITAL MAIN ASSY (12/12)	48	
10.23 INTERFACE_S ASSY	50	
10.24 COMPONENT ASSY (1/3)	52	C
10.25 COMPONENT ASSY (2/3)	54	
10.26 COMPONENT ASSY (3/3)	56	
10.27 COMPOSITE ASSY.....	58	
10.28 MIC HP ASSY.....	60	
10.29 DISPLAY ASSY (1/2).....	62	
10.30 DISPLAY ASSY (2/2).....	64	
10.31 VOL ASSY	66	
10.32 POWER SW ASSY and ENCODER ASSY	67	
10.33 IR BUFFER_S ASSY (1/2)	68	
10.34 IR BUFFER_S ASSY (2/2)	70	
10.35 BUFFER GND_S ASSY and IR INTERFACE_S ASSY	72	
10.36 D-AMP_S ASSY (1/10).....	74	D
10.37 D-AMP_S ASSY (2/10).....	76	
10.38 D-AMP_S ASSY (3/10).....	78	
10.39 D-AMP_S ASSY (4/10).....	80	
10.40 D-AMP_S ASSY (5/10).....	82	
10.41 D-AMP_S ASSY (6/10).....	84	
10.42 D-AMP_S ASSY (7/10).....	86	
10.43 D-AMP_S ASSY (8/10).....	88	
10.44 D-AMP_S ASSY (9/10).....	90	
10.45 D-AMP_S ASSY (10/10).....	92	
10.46 PRIMARY ASSY (1/2).....	94	
10.47 PRIMARY ASSY (2/2).....	96	
10.48 A-REG_S ASSY	98	E
10.49 IR REG_S ASSY (1/2)	100	
10.50 IR REG_S ASSY (2/2)	102	
10.51 V-REG_S ASSY (1/3)	103	
10.52 V-REG_S ASSY (2/3)	104	
10.53 V-REG_S ASSY (3/3)	106	
10.54 VREG CHILD_S ASSY.....	107	
10.55 CONNECT_S ASSY	108	
10.56 A-DAC BRIDGE ASSY	109	
10.57 D-AUDIO BRIDGE ASSY	110	
10.58 D-DAC BRIDGE ASSY	111	
10.59 PRE BRIDGE_S ASSY.....	112	
10.60 FAN CONNECT, MIC HP GUARD, BIND DM CABLE_S, P WIRE GUARD_S, FFC GUARD_S, BINDFAN CABLE_S and TRANS VREG STYL_S ASSYS	113	F
10.61 VREG GUARD, PANEL GUARD and IR EDGE GUARD_S ASSYS.....	114	

- 11. PCB CONNECTION DIAGRAM 116
 - 11.1 AUDIO ASSY 116
 - 11.2 DAC HIGH ASSY 120
 - 11.3 FRONT HDMI USB ASSY and USB RECT_S ASSY 122
 - 11.4 DIGITAL MAIN ASSY 124
 - 11.5 INTERFACE_S ASSY 128
 - 11.6 COMPONENT ASSY 132
 - 11.7 COMPOSITE ASSY 134
 - 11.8 MIC HP, DISPLAY, VOL, POWER SW and ENCODER ASSYS 136
 - 11.9 IR BUFFER_S ASSY 140
 - 11.10 BUFFER GND ASSY and IR INTERFACE_S ASSY 144
 - 11.11 D-AMP_S ASSY 146
 - 11.12 PRIMARY ASSY 152
 - 11.13 A-REG_S ASSY and IR REG_S ASSY 154
 - 11.14 V-REG_S ASSY 158
 - 11.15 VREG CHILD_S ASSY, CONNECT_S ASSY and A-DAC BRIDGE ASSY 160
 - 11.16 D-AUDIO BRIDGE, D-DAC BRIDGE, PRE BRIDGE_S and FAN CONNECT ASSYS 162
 - 11.17 MIC HP GUARD, BIND DM CABLE_S and P WIRE GUARD_S ASSYS 164
 - 11.18 FFC GUARD_S, BAINDFAN CABLE_S and TRANS VREG STYL_S ASSYS 165
 - 11.19 VREG GUARD, PANEL GUARD and IR EDGE GUARD_S ASSYS 166
- 12. PCB PARTS LIST 167

A

B

C

D

E

F

■

5

■

6

■

7

■

8

■

A

■

B

■

C

■

D

■

E

■

F

■

5

■

6

SC-75

■

7

■

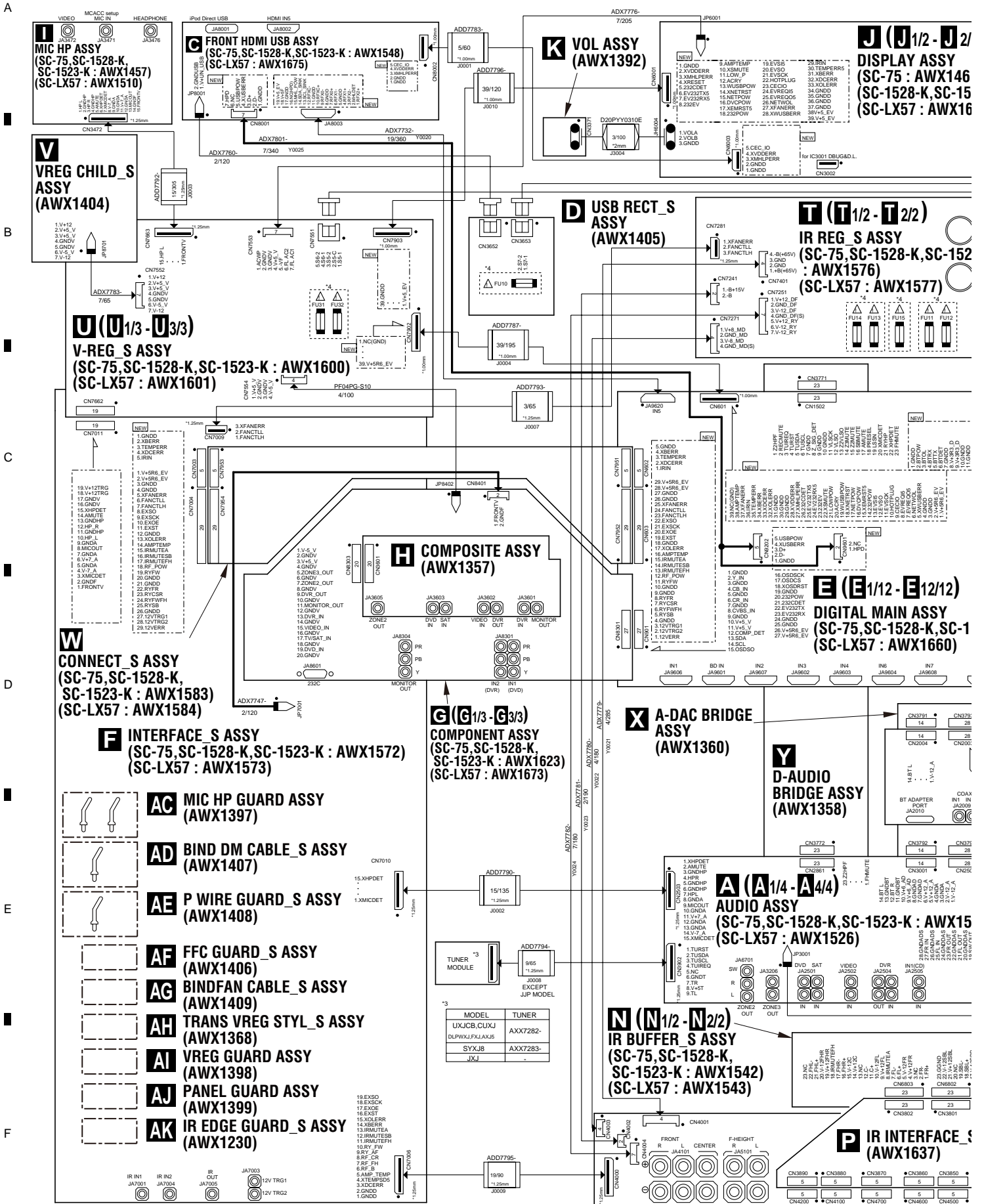
8

5

■

10. SCHEMATIC DIAGRAM

10.1 OVERALL WIRING DIAGRAM



SC-75

J (J1/2 - J2/2)
DISPLAY ASSY
 (SC-75 : AWX1465)
 (SC-1528-K, SC-1523-K : AWX1505)
 (SC-LX57 : AWX1682)

When ordering service parts, be sure to refer to "EXPLODED VIEWS and PARTS LIST" or "PCB PARTS LIST".
 The Δ mark found on some component parts indicates the importance of the safety factor of the part.
 Therefore, when replacing, be sure to use parts of identical designation.

CAUTION - FOR CONTINUED PROTECTION AGAINST RISK OF FIRE,
 REPLACE WITH SAME TYPE AND RATINGS OF FUSE.

The Δ mark found on some component parts should be replaced
 with same parts (safety regulation authorized) of identical
 designation.

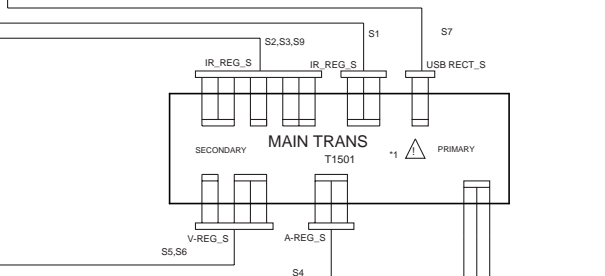
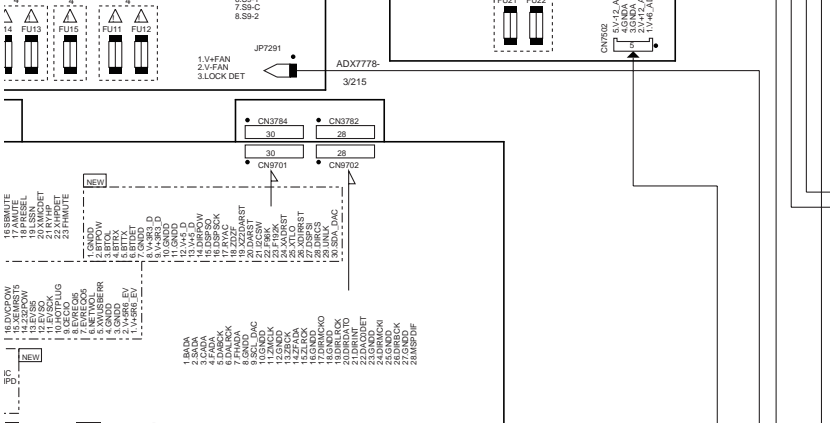
M ENCODER ASSY
 (AWX1396)

L POWER SW ASSY
 (SC-75, SC-LX57 : AWX1653)
 (SC-1528-K, SC-1523-K : AWX1654)

I (I1/2 - I2/2)
S ASSY
 (SC-1528-K, SC-1523-K : AWX1576)
 (SC-LX57 : AWX1577)

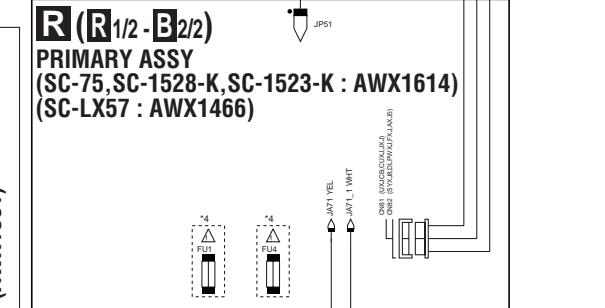
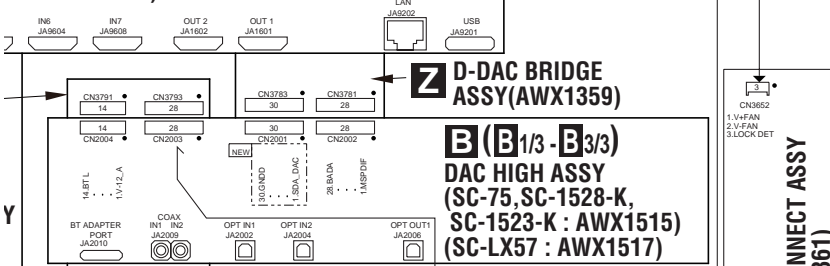
S A-REG S ASSY
 (SC-75, SC-1528-K, SC-1523-K : AWX1596)
 (SC-LX57 : AWX1597)

MODEL	FU1	FU4	FU10	FU11, FU12	FU13, FU14	FU15	FU21, FU22	FU31, FU32
SC-75	UXJCB	REK1139	REK1151	REK1143	REK1142	REK1143	REK1143	REK1144
SC-1528-K	CUXJ	(T2A H250V)	(8A125V)	(1.25A125V)	(1A125V)	(1.25A125V)	(1.25A125V)	(1.6A125V)
SC-1523-K								
SC-LX57	JXJ	REK1139	REK1151	REK1143	REK1142	REK1143	REK1143	REK1144
SC-LX57-K	SYXJ8	(T2A H250V)	(8A125V)	(1.25A125V)	(1A125V)	(1.25A125V)	(1.25A125V)	(1.6A125V)
SC-LX57-S	AXJ5	(T2A H250V)	(8A125V)	(1.25A125V)	(1A125V)	(1.25A125V)	(1.25A125V)	(1.6A125V)
SC-LX57	DLPWJ	AEK1061	AEK1081	AEK1073	AEK1072	AEK1073	AEK1073	AEK1072
SC-LX57	FXJ	(T2A H250V)	(8A125V)	(1.25A125V)	(1A125V)	(1.25A125V)	(1.25A125V)	(1.6A125V)
SC-LX57	FXJ	(T2A H250V)	(8A125V)	(1.25A125V)	(1A125V)	(1.25A125V)	(1.25A125V)	(1.6A125V)



K (K1/2 - K2/2)
MAIN MAIN ASSY
 (SC-75, SC-1528-K, SC-1523-K : AWX1422)
 (SC-LX57 : AWX1660)

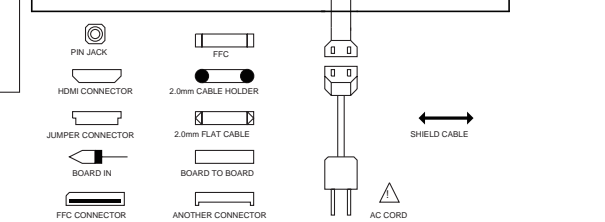
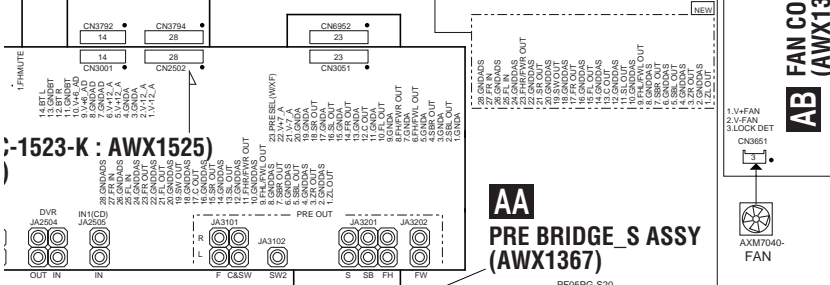
R (R1/2 - R2/2)
PRIMARY ASSY
 (SC-75, SC-1528-K, SC-1523-K : AWX1614)
 (SC-LX57 : AWX1466)



Z D-DAC BRIDGE ASSY (AWX1359)

B (B1/3 - B3/3)
DAC HIGH ASSY
 (SC-75, SC-1528-K, SC-1523-K : AWX1515)
 (SC-LX57 : AWX1517)

AB FAN CONNECT ASSY (AWX1361)

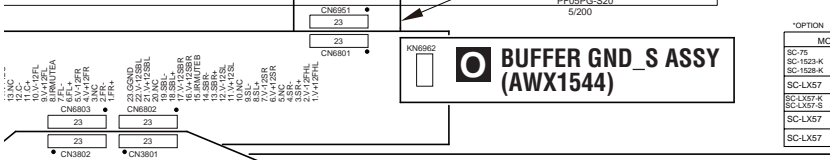


AA PRE BRIDGE S ASSY (AWX1367)

BB BUFFER GND S ASSY (AWX1544)

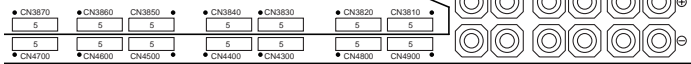
*OPTION

MODEL	MICROPHONE	REM-COM	Pod CABLE
SC-75	UXJCB	APM7011-	AXD7688-
SC-1528-K	CUXJ		
SC-1523-K			
SC-LX57	JXJ	APM7011-	AXD7699-
SC-LX57-K	SYXJ8	APM7011-	AXD7698-
SC-LX57-S	AXJ5	APM7011-	AXD7698-
SC-LX57	DLPWJ	APM7011-	AXD7698-
SC-LX57	FXJ	APM7011-	AXD7698-



IR INTERFACE S ASSY (AWX1637)

Q (Q1/10 - Q10/10)
D-AMP S ASSY
 (SC-75, SC-1528-K, SC-1523-K : AWX1429)
 (SC-LX57 : AWX1431)



MODEL	MAIN TRANS	AC CORD
SC-75	UXJCB	AT57455-A
SC-1528-K	CUXJ	ADG7118-A
SC-1523-K		
SC-LX57-K	SYXJ8	AT57452-A
SC-LX57	FXJ	AT57454-A
SC-LX57	DLPWJ	AT57452-A
SC-LX57	AXJ5	AT57452-A
SC-LX57	JXJ	AT57453-A

10.2 AUDIO ASSY (1/4)

1

2

3

4

A

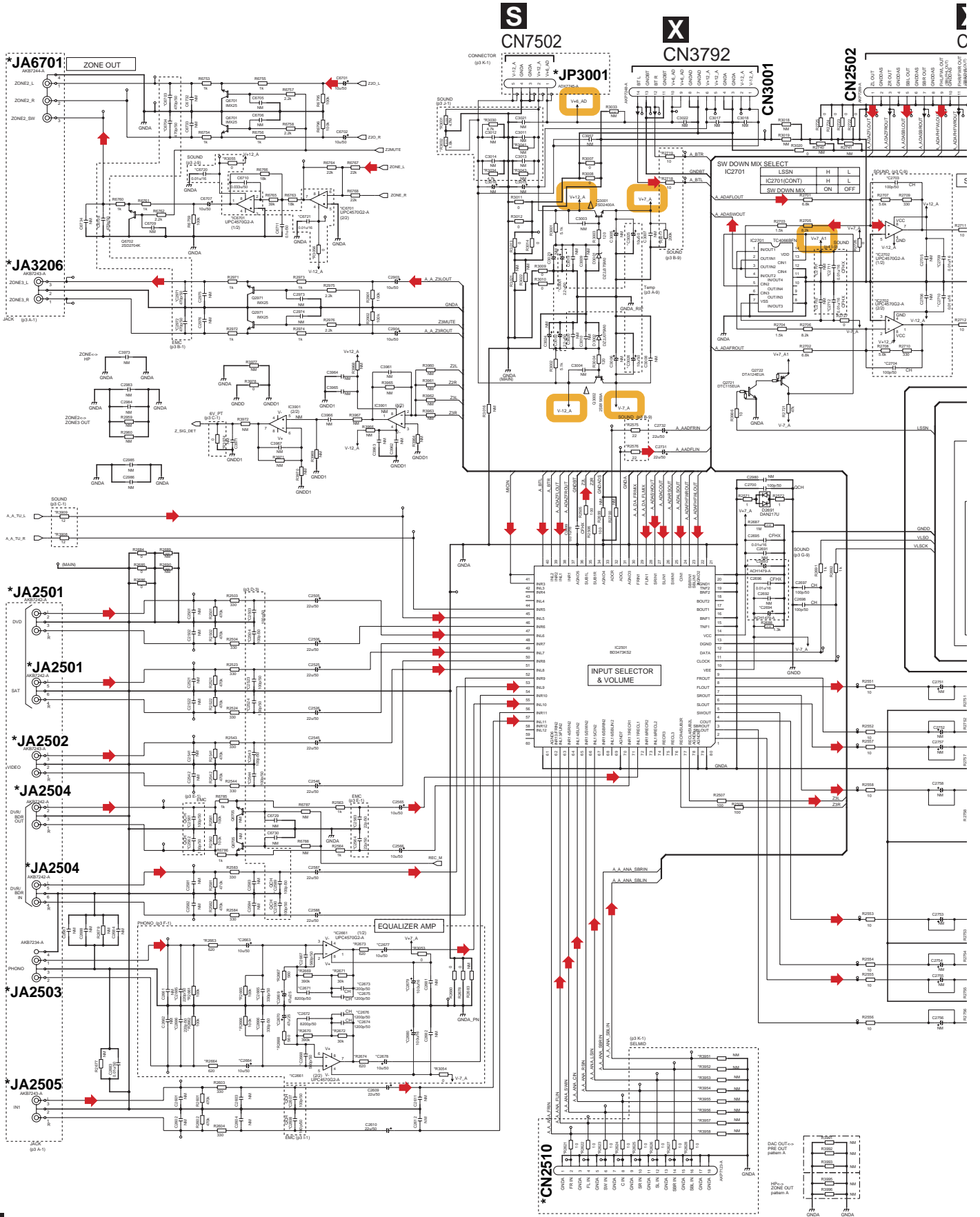
B

C

D

E

F



A1/4

1

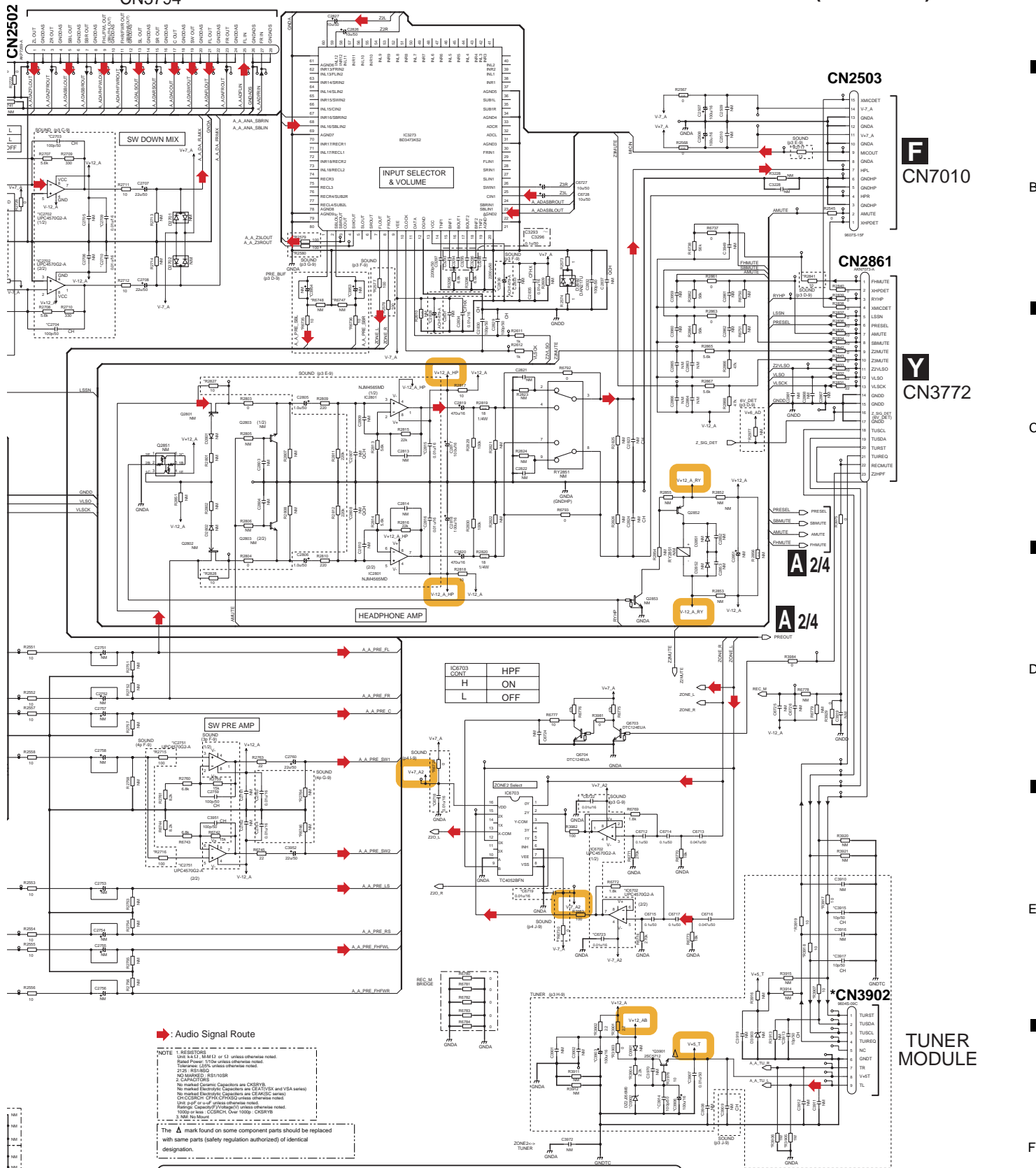
2

3

4

A1/4 AUDIO ASSY (1/4) (AWX1525)

X
CN3794



Audio Signal Route

NOTE 1: RESISTORS
 UNL: K, Ω, M, G, or Ω unless otherwise noted.
 RATED POWER: 1/8W unless otherwise noted.
 2125: RES 150Ω
 NO MARKED: RES 105Ω

2: CAPACITORS
 No marked: Capacitors are CHERVIB.
 No marked: Electrolytic Capacitors are CEATV (50V and 150V series).
 CEACORCH: CAPACITORS (CEATV series)
 No marked: Electrolytic Capacitors are CEAMSC (series)
 CEACORCH: CAPACITORS (CEATV series)
 1000µF: 1000µF unless otherwise noted.
 1000µF: 1000µF unless otherwise noted.
 1000µF: 1000µF unless otherwise noted.
 1000µF: 1000µF unless otherwise noted.
 1000µF: 1000µF unless otherwise noted.

The **Δ** mark found on some component parts should be replaced with same parts (safety regulation authorized) of identical designation.

- When ordering service parts, be sure to refer to "EXPLODED VIEWS and PARTS LIST" or "PCB PARTS LIST".
- The **Δ** mark found on some component parts indicates the importance of the safety factor of the part. Therefore, when replacing, be sure to use parts of identical designation.
- **○**: The power supply is shown with the marked box.

SC-75

TUNER MODULE

A1/4

10.3 AUDIO ASSY (2/4)

1

2

3

4

A

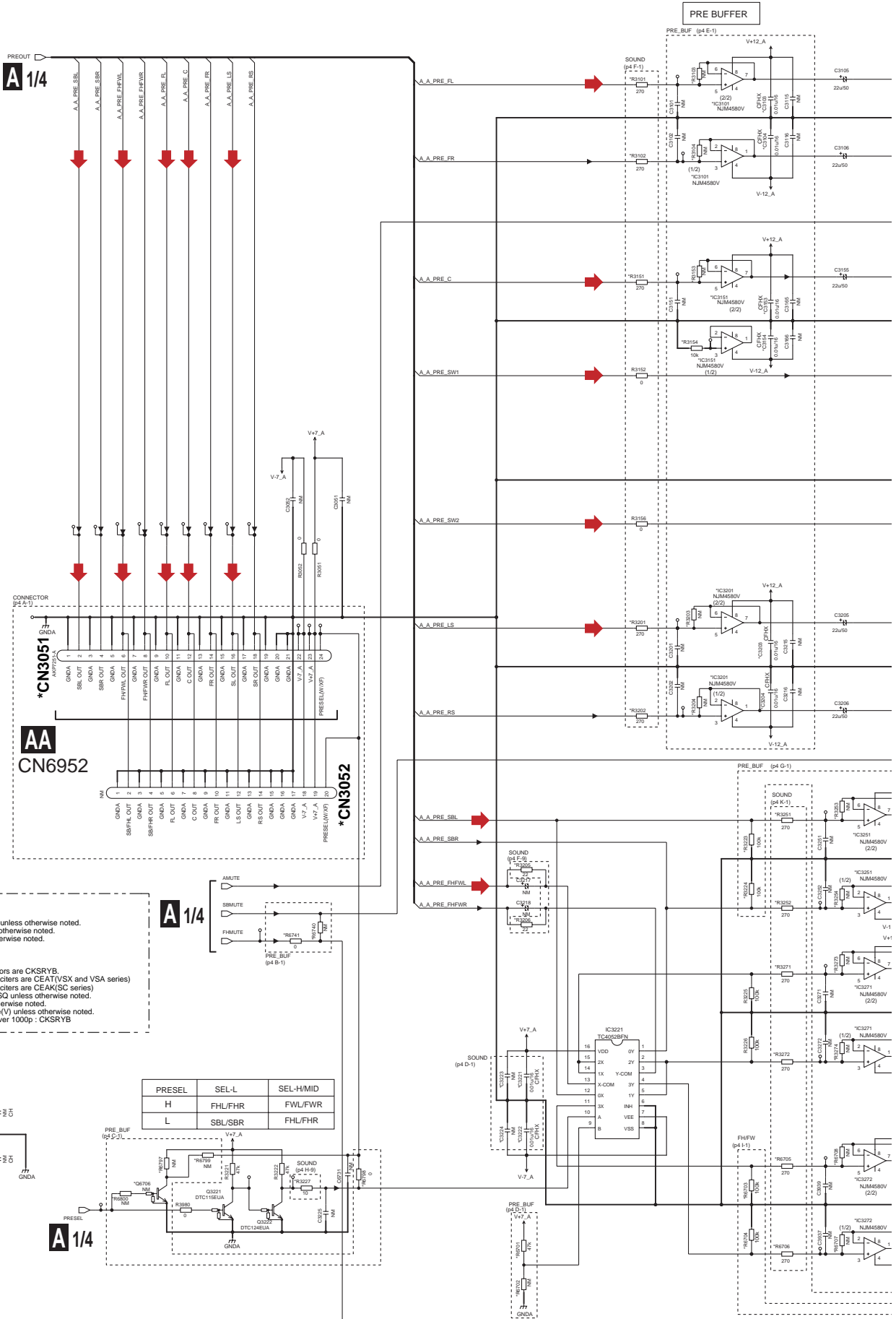
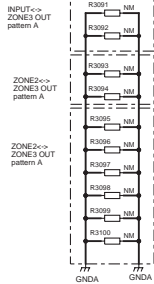
B

C

D

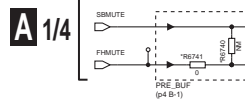
E

F



NOTE

- RESISTORS
Unit: k- Ω , M- Ω or Ω unless otherwise noted.
Rated Power: 1/10w unless otherwise noted.
Tolerances: (J)5% unless otherwise noted.
2125 : RS1/RSQ
NO MARKED : RS1/10SR
- CAPACITORS
No marked Ceramic Capacitors are CKSRYB.
No marked Electrolytic Capacitors are CEAT(VSX and VSA series)
No marked Electrolytic Capacitors are CEAK(SC series)
CH: CCSRCH, CFHX, CFHX SQ unless otherwise noted.
Unit: p-pF or u-uF unless otherwise noted.
Ratings: Capacity(F)/Voltage(V) unless otherwise noted.
1000p or less : CCSRCH, Over 1000p : CKSRYB
- NM: No Mount



PRESEL	SEL-L	SEL-H/MID
H	FHL/FHR	FWL/FWR
L	SBL/SBR	FHL/FHR

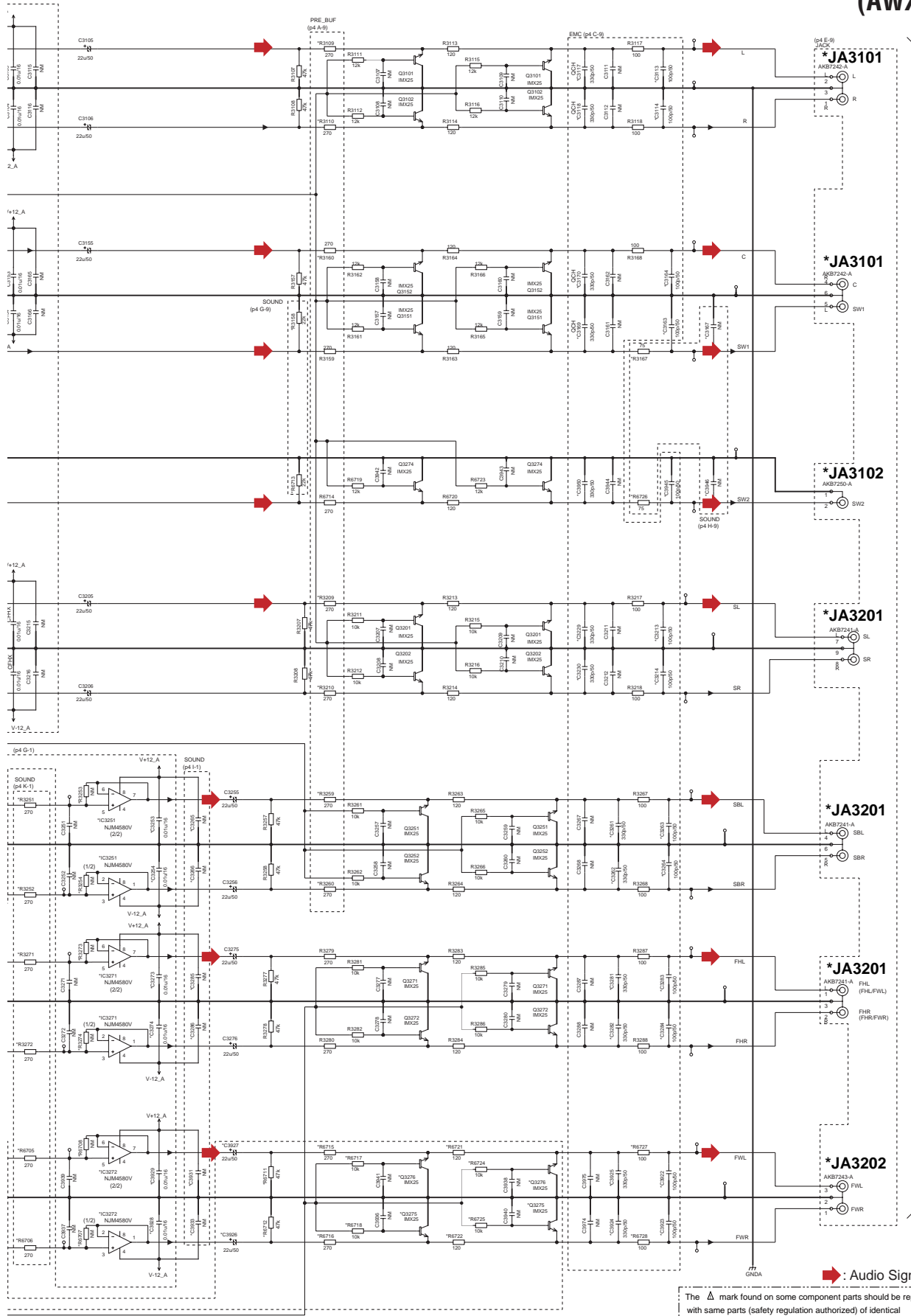
1

2

3

4

A2/4 AUDIO ASSY (2/4) (AWX1525)



PRE OUT

➔ : Audio Signal Route

The \triangle mark found on some component parts should be replaced with same parts (safety regulation authorized) of identical designation.

10.4 AUDIO ASSY (3/4)

Table with columns for Part No., Qty, and Part Name for JACK (p1 A-1) and JACK (p1 F-1).

Table with columns for Part No., Qty, and Part Name for 6V PT (p1 =3).

Table with columns for Part No., Qty, and Part Name for SOUND (p1 E-1).

Table with columns for Part No., Qty, and Part Name for EMC (p1 E-3).

Table with columns for Part No., Qty, and Part Name for EMC (p1 E-2).

Table with columns for Part No., Qty, and Part Name for EMC (p1 E-1).

Table with columns for Part No., Qty, and Part Name for EMC (p1 E-4).

Table with columns for Part No., Qty, and Part Name for PHONO (p1 =2).

Table with columns for Part No., Qty, and Part Name for EMC (p1 E-5).

Table with columns for Part No., Qty, and Part Name for SOUND (p1 A-5).

Table with columns for Part No., Qty, and Part Name for CONNECTOR (p1 A-5).

Table with columns for Part No., Qty, and Part Name for SEAMC (p1 =6).



SC-75

10.6 DAC HIGH ASSY (1/3)

1

2

3

4

A

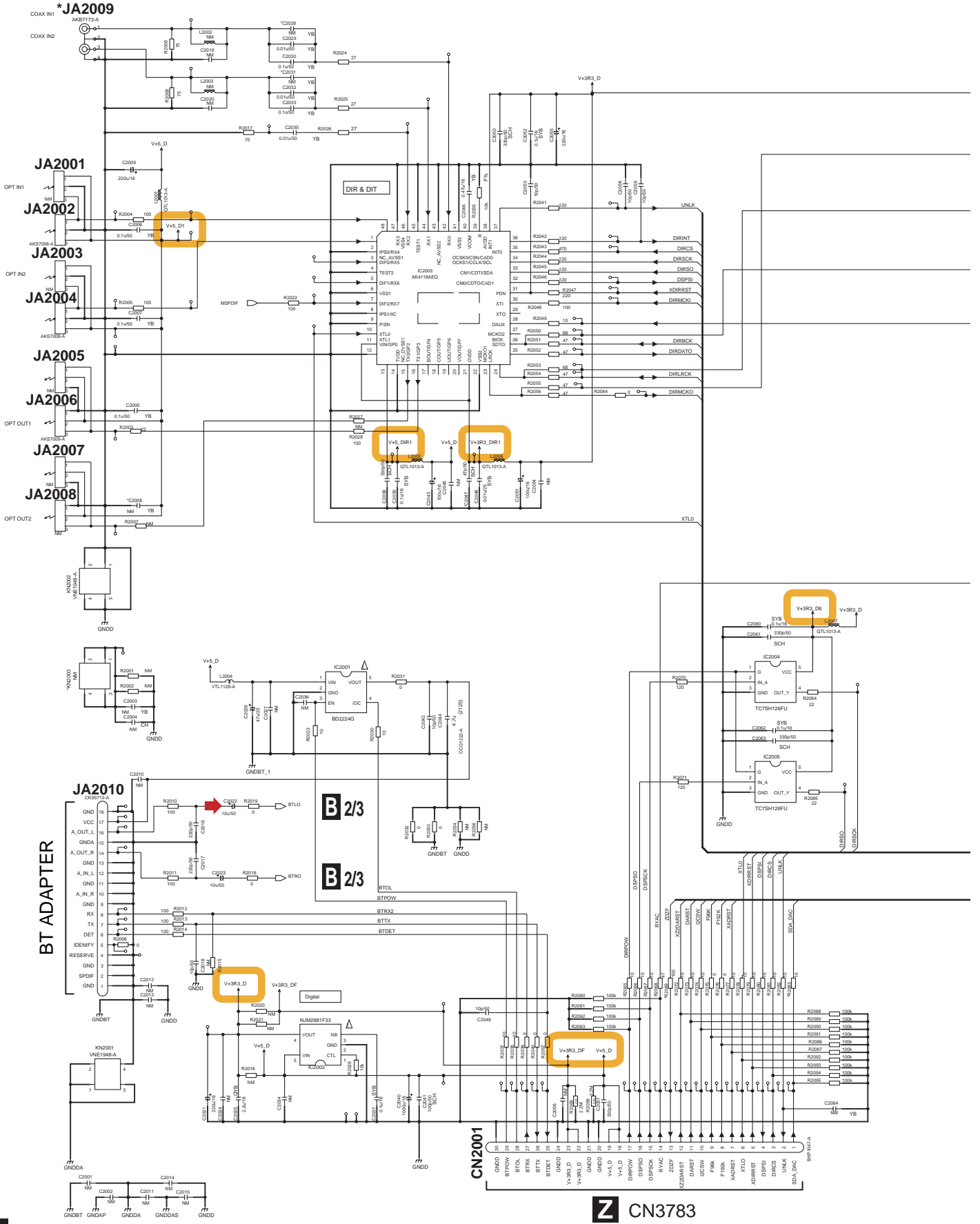
B

C

D

E

F



B 1/3

Z CN3783

SC-75

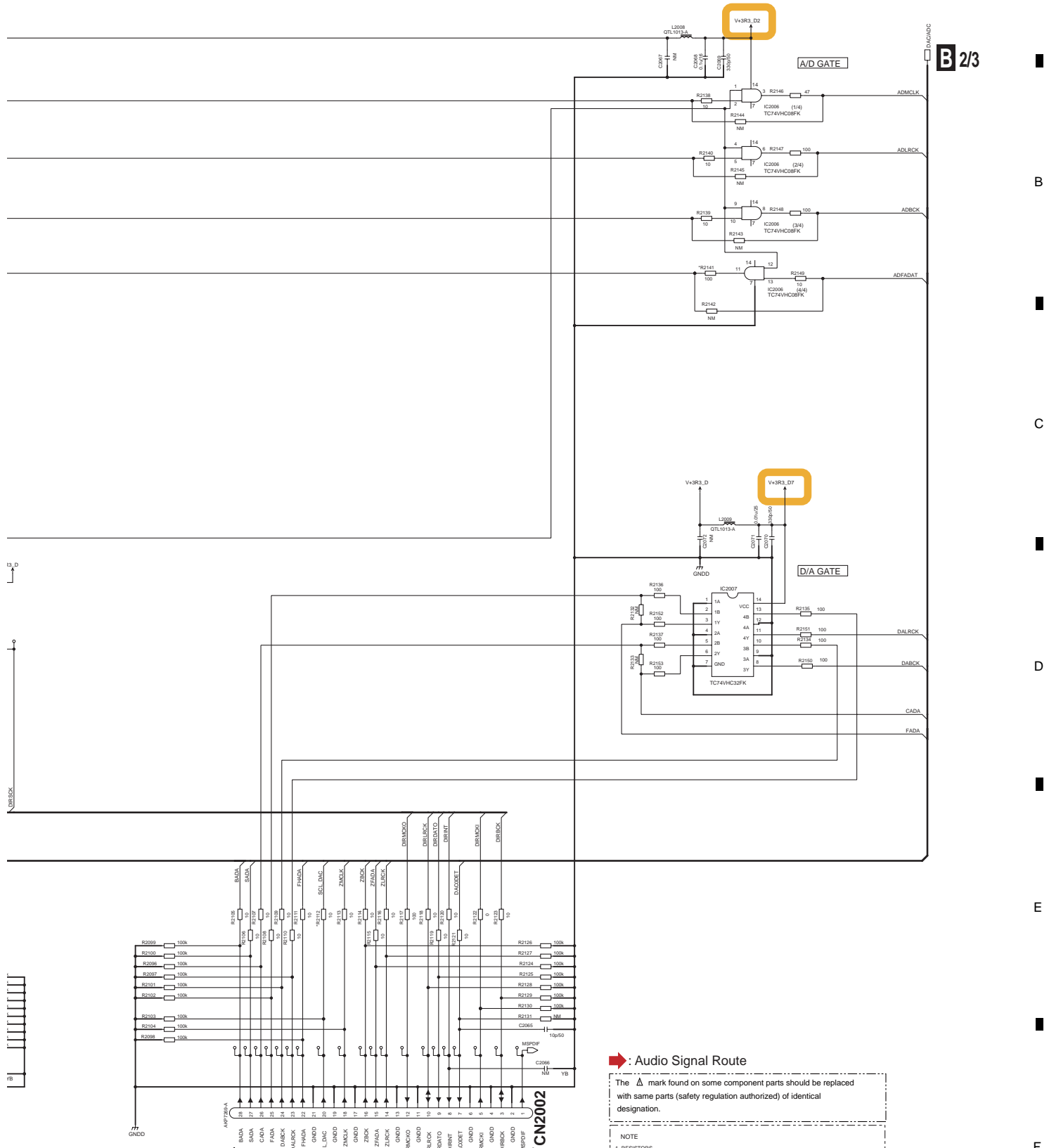
1

2

3

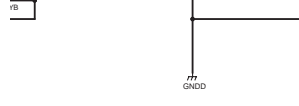
4

B1/3 DAC HIGH ASSY (1/3) (AWX1515)



13 D

13 D



Z CN3781

➔ Audio Signal Route

The **△** mark found on some component parts should be replaced with same parts (safety regulation authorized) of identical designation.

- NOTE**
- RESISTORS
Unit: $\times 10^3$, $\times 10^4$ or Ω unless otherwise noted.
Rated Power: 1/16W or NETWORKS-1/32W unless otherwise noted.
Tolerance: 0.5% unless otherwise noted.
 - CAPACITORS
Unit: pF or μF unless otherwise noted.
Ratings: Capacity (V/Voltage/V) unless otherwise noted.
YV: C50V16, C16V-CAS07B, 5V16V-C507B, CH-C50RCH, SCH-C50SCH
AT: CEAT, ZL-CEHAZL, GHX-CFH350
 - NM: No Mount

10.7 DAC HIGH ASSY (2/3)

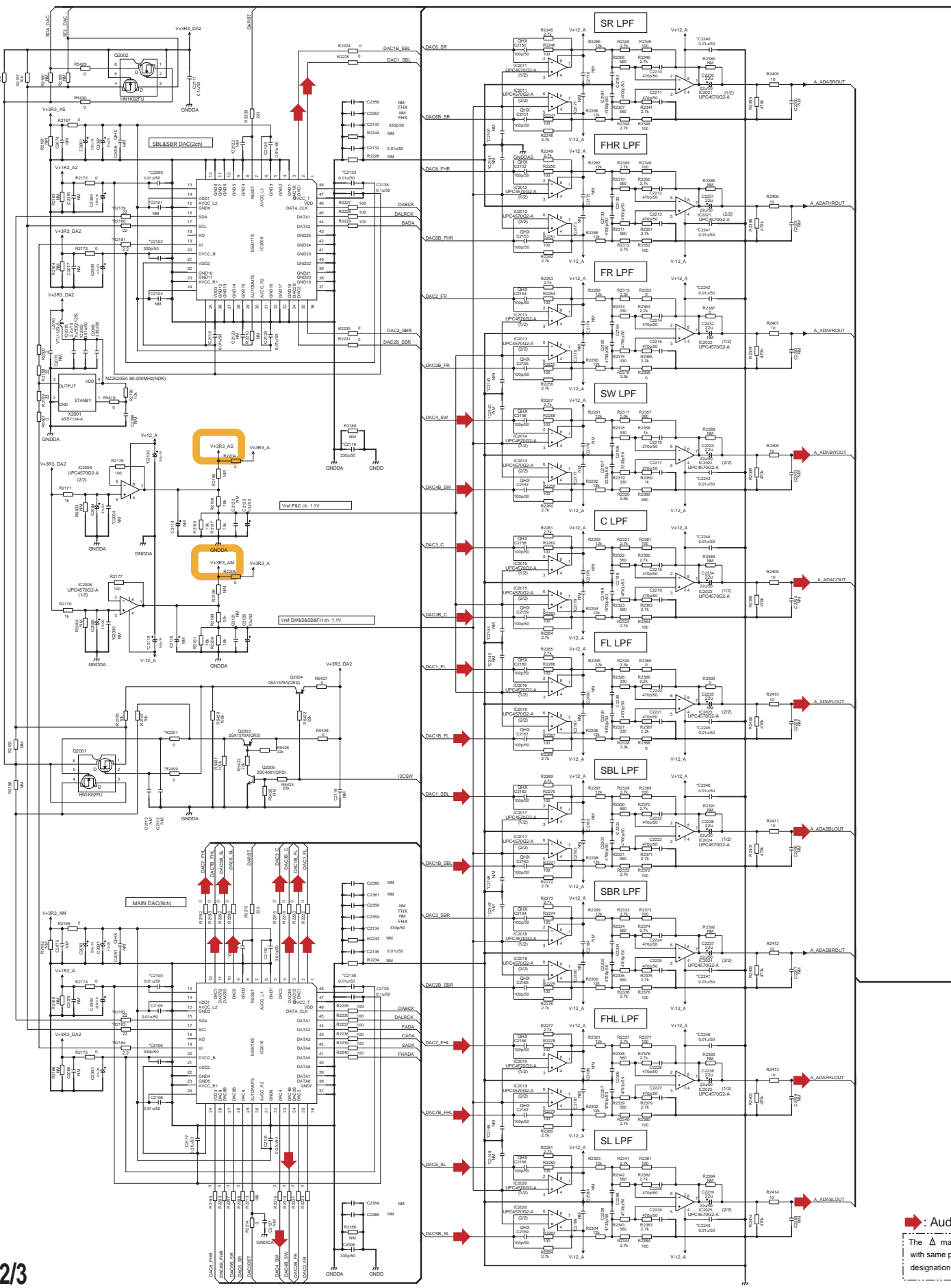
1

2

3

4

A
B
C
D
E
F



▲ : Aud
△ ma
with same p
designation.

1

2

3

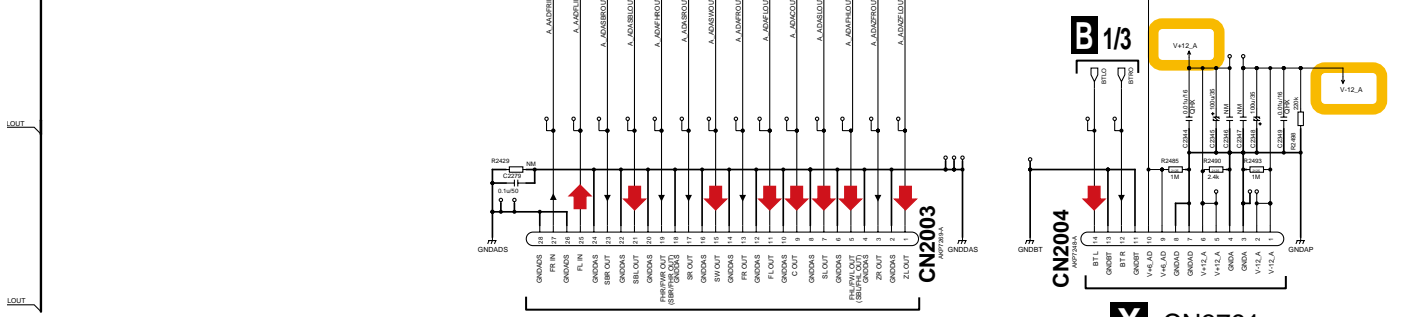
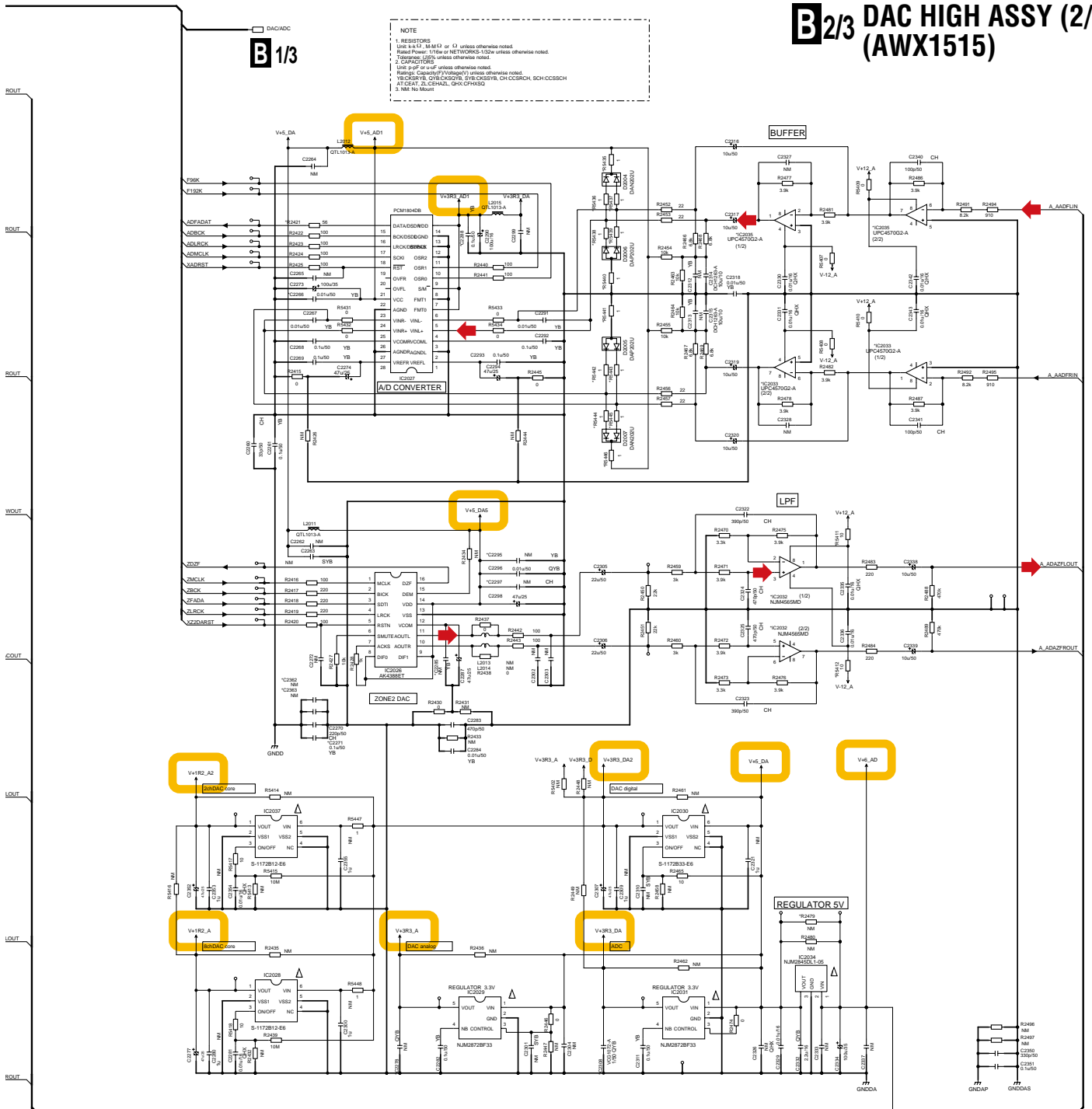
4

B_{2/3} DAC HIGH ASSY (2/3) (AWX1515)

B 1/3

NOTE

1. RESISTORS
Use a 0.1, 0.1M or 0.1 unless otherwise noted.
2. CAPACITORS
Use a 0.1, 0.1M or 0.1 unless otherwise noted.
3. DIMENSIONS
Use a 0.1 unless otherwise noted.
4. DIMENSIONS
Use a 0.1 unless otherwise noted.
5. DIMENSIONS
Use a 0.1 unless otherwise noted.
6. DIMENSIONS
Use a 0.1 unless otherwise noted.
7. DIMENSIONS
Use a 0.1 unless otherwise noted.
8. DIMENSIONS
Use a 0.1 unless otherwise noted.
9. DIMENSIONS
Use a 0.1 unless otherwise noted.
10. DIMENSIONS
Use a 0.1 unless otherwise noted.
11. DIMENSIONS
Use a 0.1 unless otherwise noted.
12. DIMENSIONS
Use a 0.1 unless otherwise noted.
13. DIMENSIONS
Use a 0.1 unless otherwise noted.
14. DIMENSIONS
Use a 0.1 unless otherwise noted.
15. DIMENSIONS
Use a 0.1 unless otherwise noted.
16. DIMENSIONS
Use a 0.1 unless otherwise noted.
17. DIMENSIONS
Use a 0.1 unless otherwise noted.
18. DIMENSIONS
Use a 0.1 unless otherwise noted.
19. DIMENSIONS
Use a 0.1 unless otherwise noted.
20. DIMENSIONS
Use a 0.1 unless otherwise noted.
21. DIMENSIONS
Use a 0.1 unless otherwise noted.
22. DIMENSIONS
Use a 0.1 unless otherwise noted.
23. DIMENSIONS
Use a 0.1 unless otherwise noted.
24. DIMENSIONS
Use a 0.1 unless otherwise noted.
25. DIMENSIONS
Use a 0.1 unless otherwise noted.
26. DIMENSIONS
Use a 0.1 unless otherwise noted.
27. DIMENSIONS
Use a 0.1 unless otherwise noted.
28. DIMENSIONS
Use a 0.1 unless otherwise noted.
29. DIMENSIONS
Use a 0.1 unless otherwise noted.
30. DIMENSIONS
Use a 0.1 unless otherwise noted.
31. DIMENSIONS
Use a 0.1 unless otherwise noted.
32. DIMENSIONS
Use a 0.1 unless otherwise noted.
33. DIMENSIONS
Use a 0.1 unless otherwise noted.
34. DIMENSIONS
Use a 0.1 unless otherwise noted.
35. DIMENSIONS
Use a 0.1 unless otherwise noted.
36. DIMENSIONS
Use a 0.1 unless otherwise noted.
37. DIMENSIONS
Use a 0.1 unless otherwise noted.
38. DIMENSIONS
Use a 0.1 unless otherwise noted.
39. DIMENSIONS
Use a 0.1 unless otherwise noted.
40. DIMENSIONS
Use a 0.1 unless otherwise noted.
41. DIMENSIONS
Use a 0.1 unless otherwise noted.
42. DIMENSIONS
Use a 0.1 unless otherwise noted.
43. DIMENSIONS
Use a 0.1 unless otherwise noted.
44. DIMENSIONS
Use a 0.1 unless otherwise noted.
45. DIMENSIONS
Use a 0.1 unless otherwise noted.
46. DIMENSIONS
Use a 0.1 unless otherwise noted.
47. DIMENSIONS
Use a 0.1 unless otherwise noted.
48. DIMENSIONS
Use a 0.1 unless otherwise noted.
49. DIMENSIONS
Use a 0.1 unless otherwise noted.
50. DIMENSIONS
Use a 0.1 unless otherwise noted.



Audio Signal Route

The Δ mark found on some component parts should be replaced with same parts (safety regulation authorized) of identical designation.

X CN3793

X CN3791

SC-75

B_{2/3}

B3/3 DAC HIGH ASSY (3/3) (AWX1515)

A

	awx1515	awx1516	awx1517	awx1518	awx1519	awx1520	awx1521	awx1522	awx1516
C2266	0.1u/50	0.01u/50	0.01u/50	0.1u/50	0.01u/50	0.01u/50	0.1u/50	0.01u/50	0.01u/50
C2270	220p/50	220p/50	NM	220p/50	NM	NM	220p/50	NM	NM
C2271	0.1u/50	0.1u/50	NM	0.1u/50	NM	NM	0.1u/50	NM	NM
C2278	2.2u/16	NM	NM	2.2u/16	NM	NM	2.2u/16	NM	NM
C2285	0.1u/50	NM	NM	0.1u/50	NM	NM	0.1u/50	NM	NM
C2288	0.1u/50	0.1u/50	0.01u/50	0.1u/50	0.01u/50	0.01u/50	0.1u/50	0.01u/50	0.01u/50
C2295	0.47u/16	NM	NM	0.47u/16	NM	NM	0.47u/16	NM	NM
C2297	220p/50	NM	NM	220p/50	NM	NM	220p/50	NM	NM
C2308	2.2u/16	VC01072-A	VC01072-A	2.2u/16	VC01072-A	VC01072-A	2.2u/16	VC01072-A	VC01072-A
C2308	2.2u/16	VC01072-A	VC01072-A	2.2u/16	VC01072-A	VC01072-A	2.2u/16	VC01072-A	VC01072-A
C2362	NM	NM	0.1u/50	NM	0.1u/50	0.1u/50	NM	0.1u/50	0.1u/50
C2363	NM	NM	220p/50	NM	220p/50	220p/50	NM	220p/50	220p/50
R2421	47	56	56	47	56	47	56	56	56
R2479	100k	NM	NM	100k	NM	NM	100k	NM	NM
RS411	0	10	10	0	10	10	0	10	10
RS412	0	10	10	0	10	10	0	10	10
RS435	0	1	1	0	1	1	0	1	1
RS436	0	1	1	0	1	1	0	1	1
RS437	0	1	1	0	1	1	0	1	1
RS438	0	1	1	0	1	1	0	1	1
RS439	0	1	1	0	1	1	0	1	1
RS440	0	1	1	0	1	1	0	1	1
RS441	0	1	1	0	1	1	0	1	1
RS442	0	1	1	0	1	1	0	1	1
RS443	0	1	1	0	1	1	0	1	1
RS444	0	1	1	0	1	1	0	1	1
RS445	0	1	1	0	1	1	0	1	1
RS446	0	1	1	0	1	1	0	1	1
IC2032	NJM4565MD	NJM4565MD	NJM4565MD	NJM4565MD	NJM4565MD	NJM4565MD	NJM4565MD	UPC4570G2-A	UPC4570G2-A
IC2033	UPC4570G2-A	UPC4570G2-A	UPC4570G2-A	UPC4570G2-A	UPC4570G2-A	UPC4570G2-A	UPC4570G2-A	UPC4570G2-A	UPC4570G2-A
IC2035	UPC4570G2-A	UPC4570G2-A	UPC4570G2-A	UPC4570G2-A	UPC4570G2-A	UPC4570G2-A	UPC4570G2-A	UPC4570G2-A	UPC4570G2-A

B

C

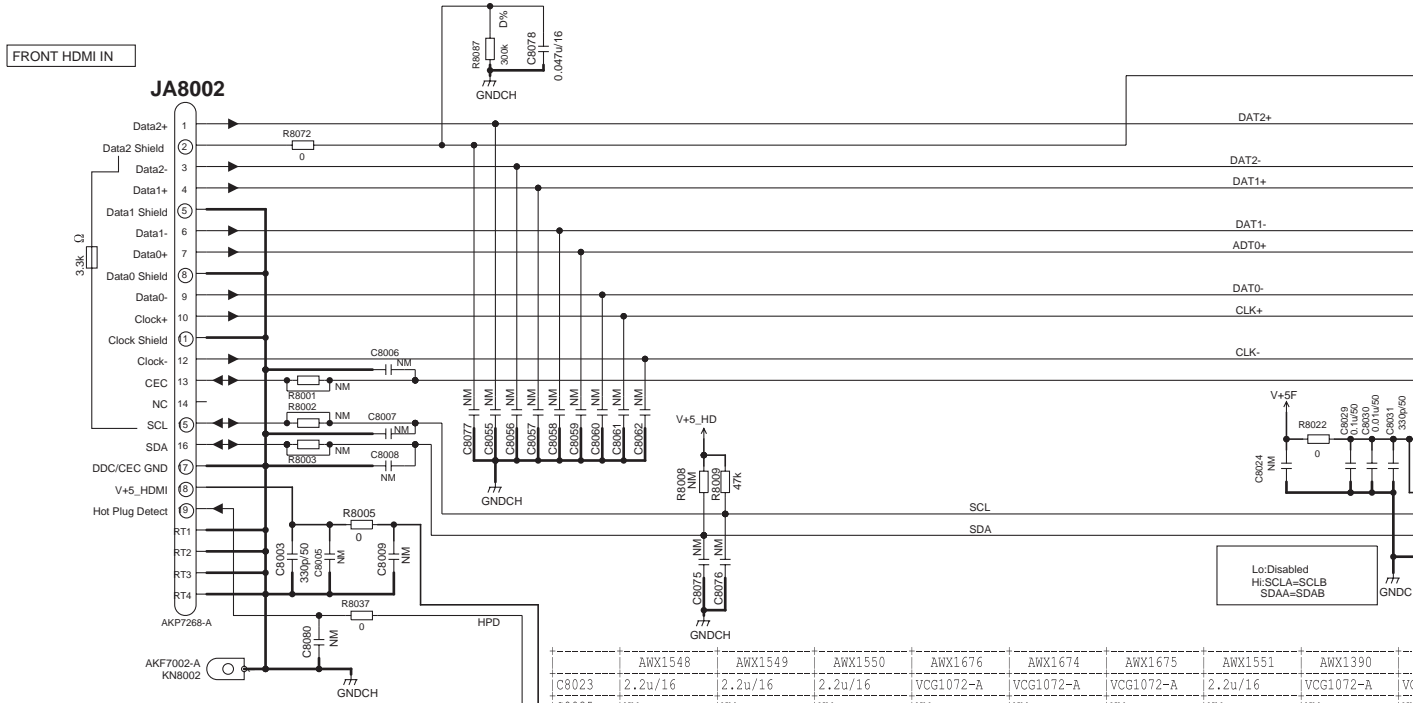
D

E

F

10.9 FRONT HDMI USB ASSY

A



B

C

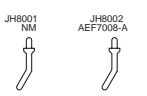
	AWX1548	AWX1549	AWX1550	AWX1676
C8001	100p/50	100p/50	100p/50	100p/50
C8002	0.1u/50	0.1u/50	0.01u/50	0.01u/50
C8010	220u/16	220u/16	220u/16	220u/16

	AWX1674	AWX1675	AWX1551	AWX1390
C8001	100p/50	47p/50	100p/50	47p/50
C8002	0.01u/50	0.01u/50	0.01u/50	0.01u/50
C8010	220u/16	220u/16	220u/16	220u/16

	AWX1552	AWX1683	AWX1684
C8001	47p/50	47p/50	47p/50
C8002	0.01u/50	0.01u/50	0.01u/50
C8010	220u/16	ACH7377-A	ACH7377-A

	AWX1548	AWX1549	AWX1550	AWX1676	AWX1674	AWX1675	AWX1551	AWX1390
C8023	2.2u/16	2.2u/16	2.2u/16	VCG1072-A	VCG1072-A	VCG1072-A	2.2u/16	VCG1072-A
C8035	NM	NM	NM	NM	NM	NM	NM	NM
C8048	NM	NM	NM	NM	NM	47u/25	100u/16	100u/16
R8021	0	0	0	0	0	0	10	10
R8023	100	100	100	100	100	100	220	220
R8024	1k	1k	1k	1k	1k	1k	2.2k	2.2k
R8025	47k	47k	47k	47k	100k	100k	47k	100k

D

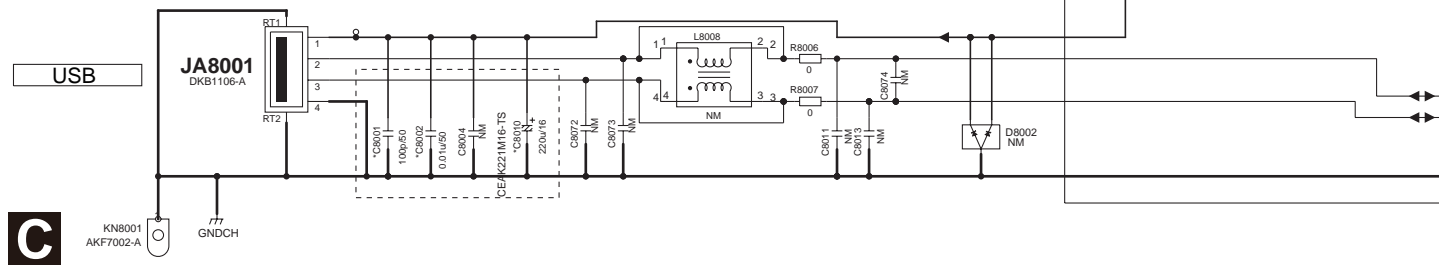


The Δ mark found on some component parts should be replaced with same parts (safety regulation authorized) of identical designation.

NOTE
 1. RESISTORS
 Unit: k Ω , M Ω or Ω , unless otherwise noted.
 Rated Power: 1/16W unless otherwise noted.
 Tolerance: $\pm 5\%$ unless otherwise noted.
 2. CAPACITORS
 No marked Capacitors are CEAT or CKSRYB or CKSSYB.
 CH: CCSRCH or CCSSCH
 Unit: p μ F or u μ F unless otherwise noted.
 Ratings: Capacity(F)/Voltage(V) unless otherwise noted.
 3. NM: No Mount

E

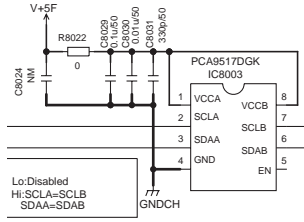
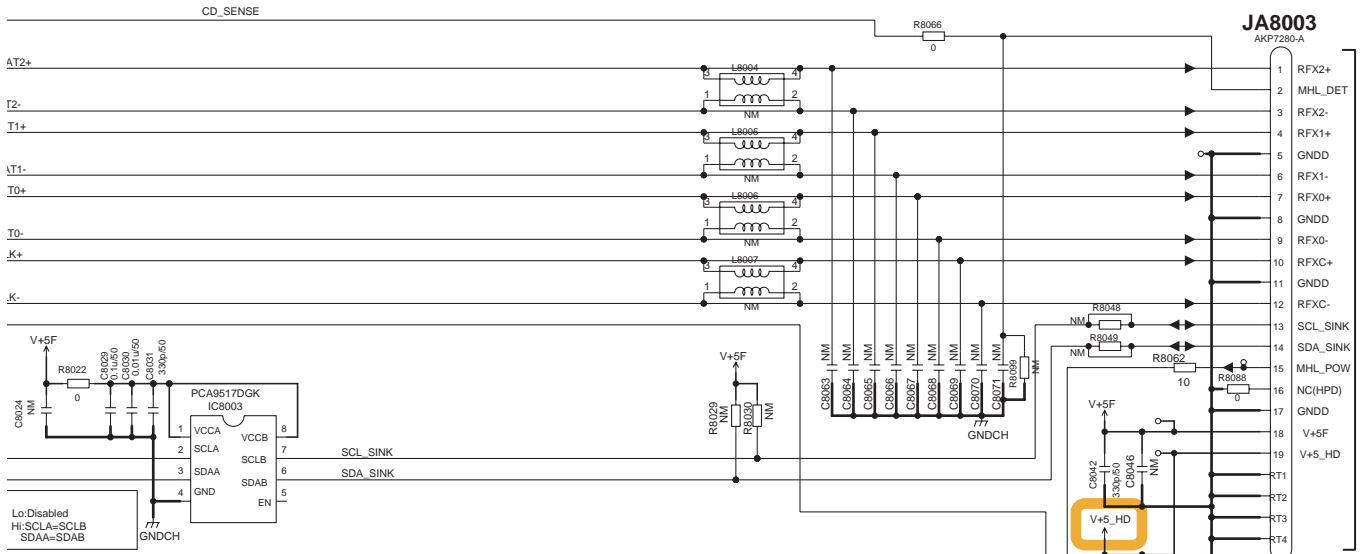
F



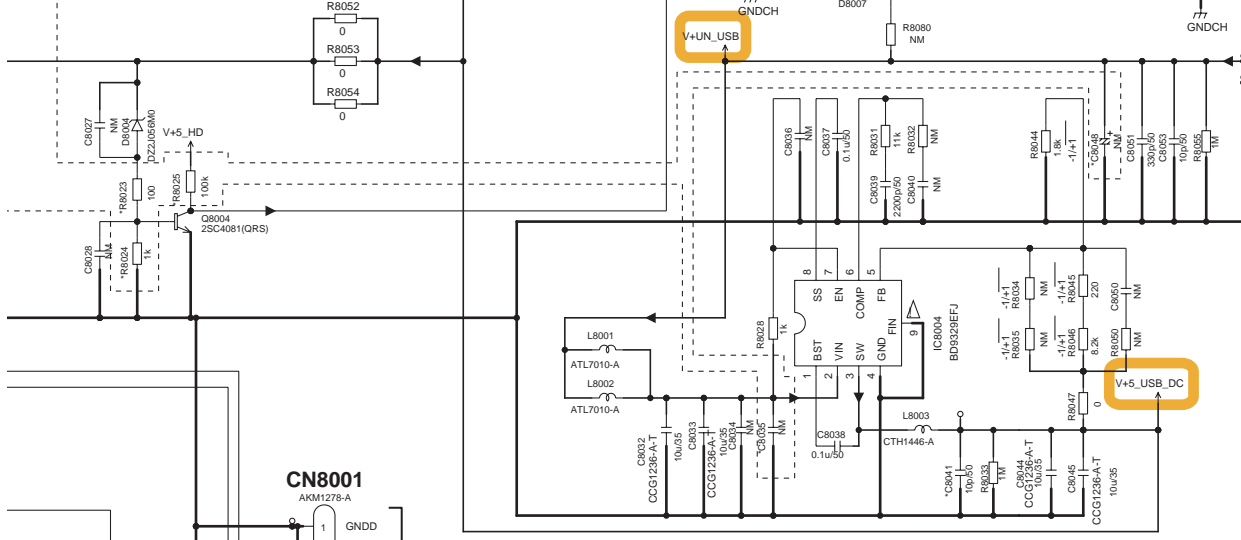
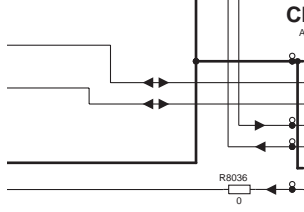
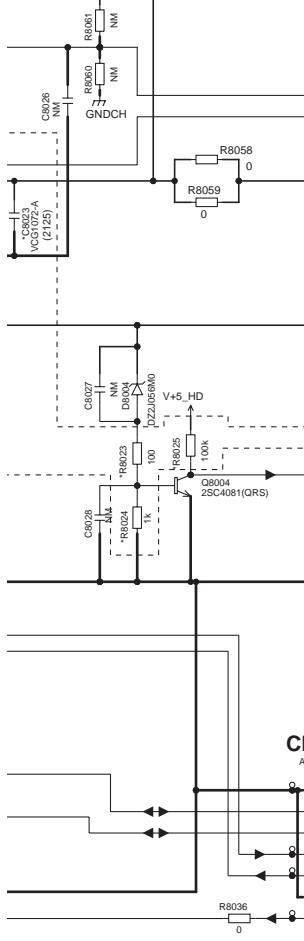
22

C FRONT HDMI USB ASSY (AWX1548)

A
B
C
D
E
F



1551	AWX1390	AWX1552	AWX1683	AWX1684
16	VCG1072-A	VCG1072-A	VCG1072-A	VCG1072-A
	NM	NM	39p/50	39p/50
16	100u/16	100u/16	100u/16	100u/16
	10	10	10	10
	220	220	220	220
	2.2k	2.2k	2.2k	2.2k
	100k	100k	100k	100k



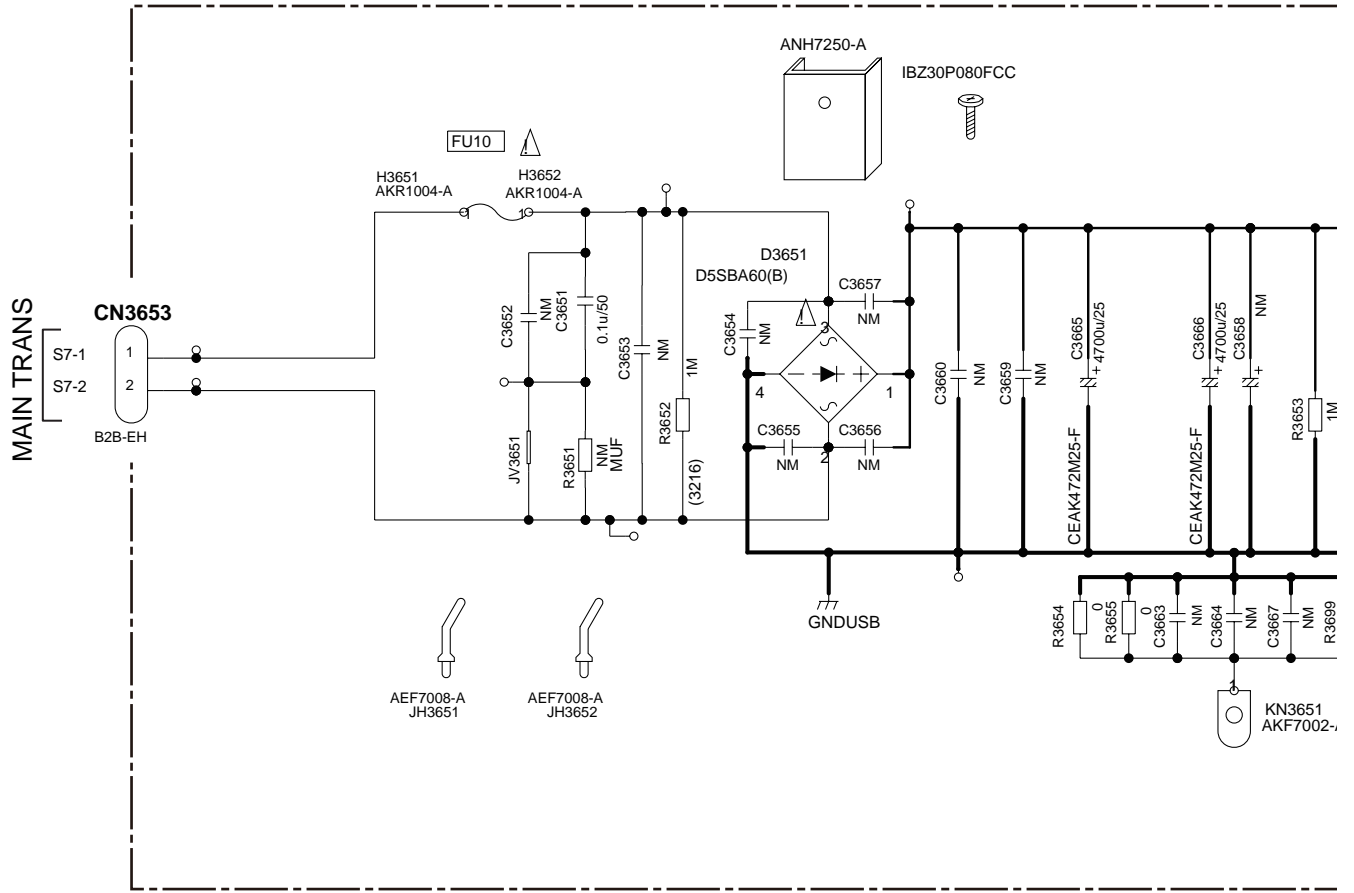
E 3/12 CN9601
E 11/12 CN9202

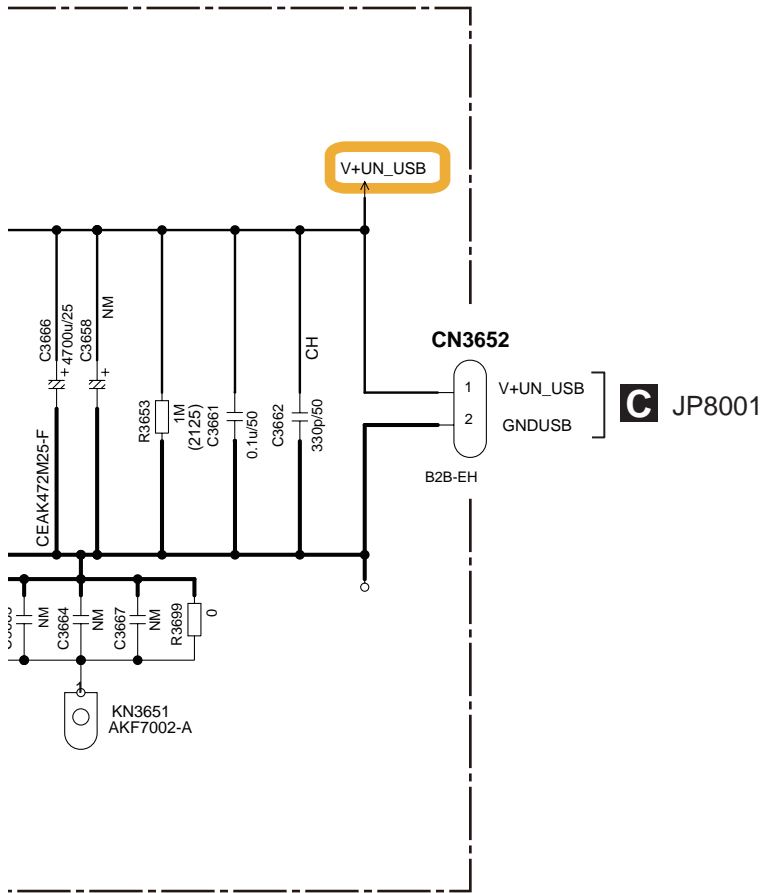
E 3/12 JA9620
J 1/2 CN6003

D CN3652

10.10 USB RECT_S ASSY

D USB RECT_S ASSY (AWX1405)





NOTE

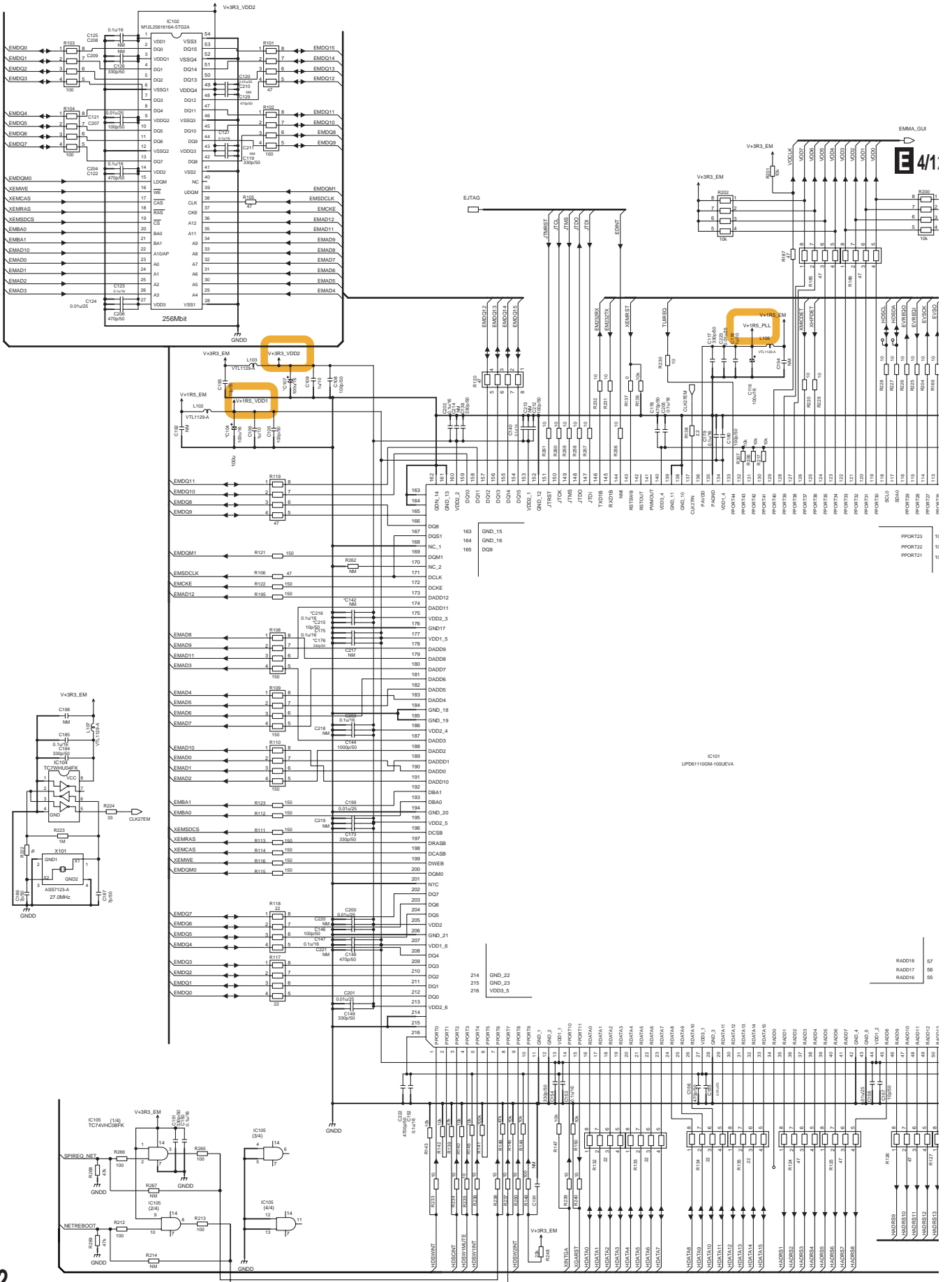
1. RESISTORS
 Unit: k-k Ω , M-M Ω or Ω unless otherwise noted.
 Rated Power: 1/10W unless otherwise noted.
 Tolerance: (J)5% unless otherwise noted.
 MUF : RD1/4MUF
 2125 : RS1/8SQ

2. CAPACITORS
 Unit: p-pF or u-uF unless otherwise noted.
 Ratings: Capacity(F)/Voltage(V) unless otherwise noted.
 CH : CCSRCH
 NO MARKED : CEAT or CKSRYB

3. NM : NO MOUNT

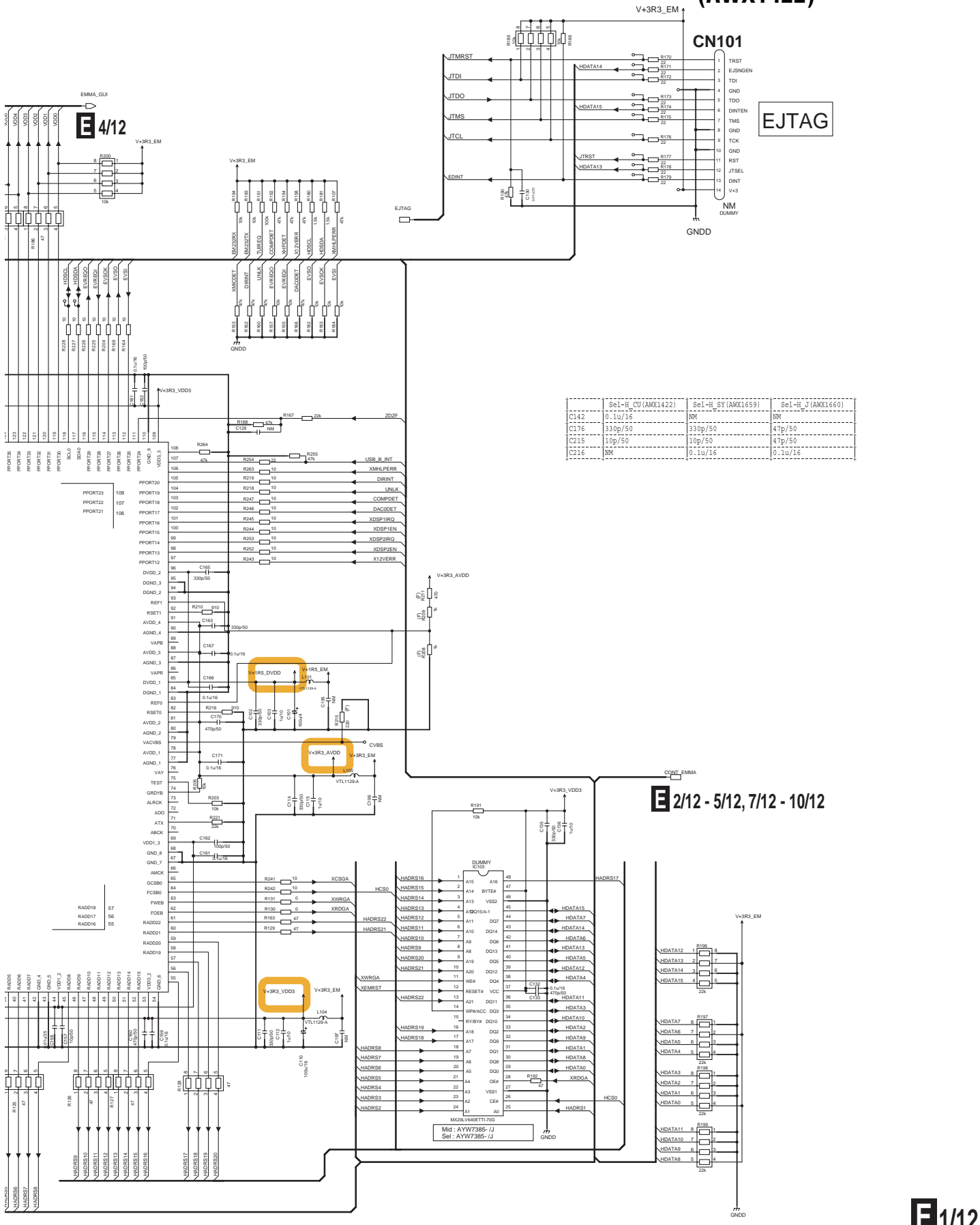
The Δ mark found on some component parts should be replaced with same parts (safety regulation authorized) of identical designation.

10.11 DIGITAL MAIN ASSY (1/12)



E 1/12 DIGITAL MAIN ASSY (1/12) (AWX1422)

A
B
C
D
E
F



	Sel-H_CU (AWX1422)	Sel-H_SY (AWX1659)	Sel-H_VI (AWX1660)
C142	0.1u/16	NM	NM
C176	330p/50	330p/50	47p/50
C215	10p/50	10p/50	47p/50
C216	NM	0.1u/16	0.1u/16

E 2/12 - 5/12, 7/12 - 10/12

10.12 DIGITAL MAIN ASSY (2/12)

1

2

3

4

A

B

C

D

E

F

E 1/12, 3/12 - 5/12, 7/12-10/12

E 3/12 - 12/12

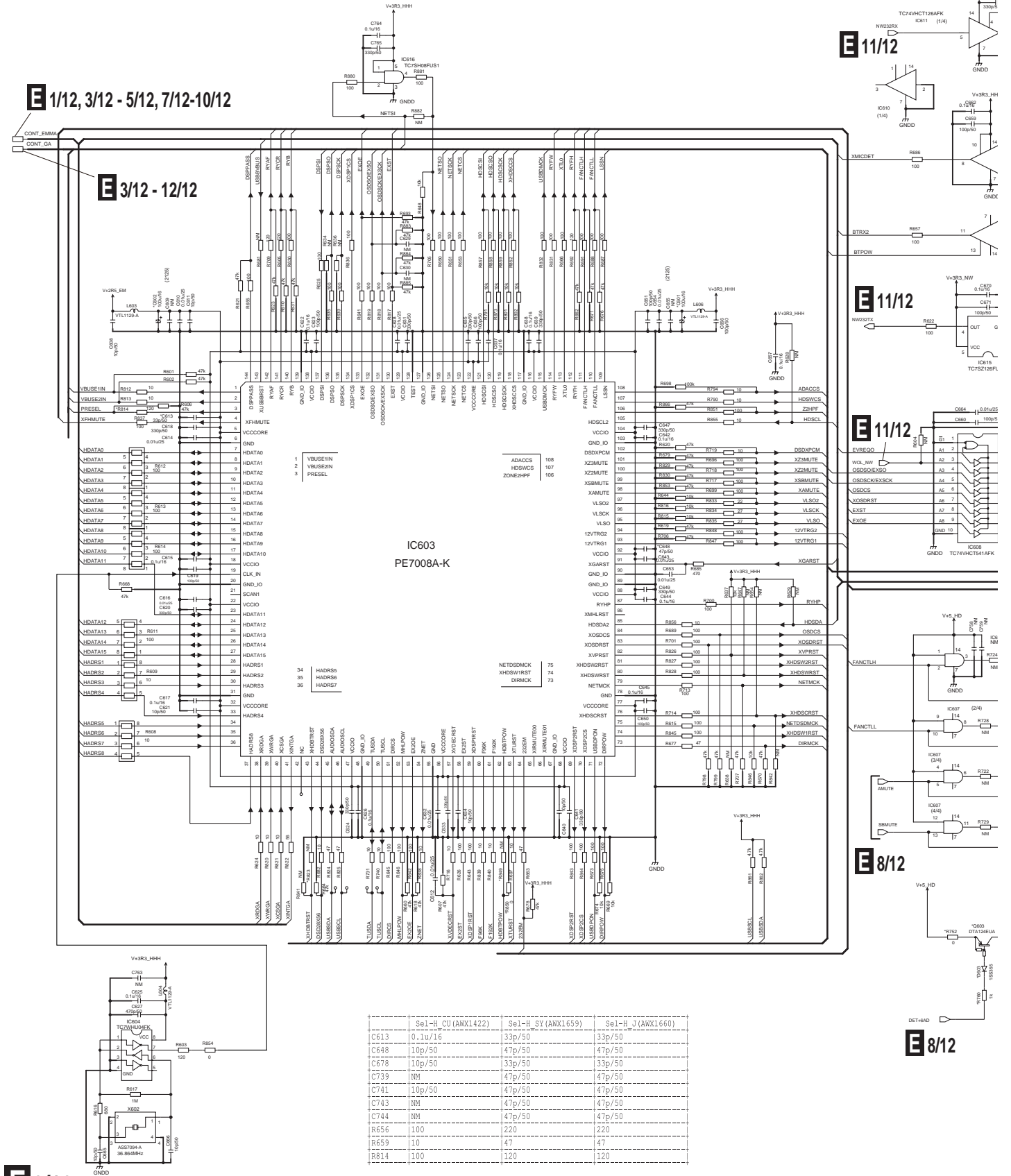
E 11/12

E 11/12

E 11/12

E 8/12

E 8/12



	Set-H CU (AWX1422)	Set-H SY (AWX1659)	Set-H J (AWX1660)
C613	0.1u/16	33p/50	33p/50
C648	10p/50	47p/50	47p/50
C678	10p/50	33p/50	33p/50
C719	NM	47p/50	47p/50
C741	10p/50	47p/50	47p/50
C743	NM	47p/50	47p/50
C744	NM	47p/50	47p/50
R656	100	220	220
R659	10	47	47
R814	100	120	120

E 2/12

SC-75

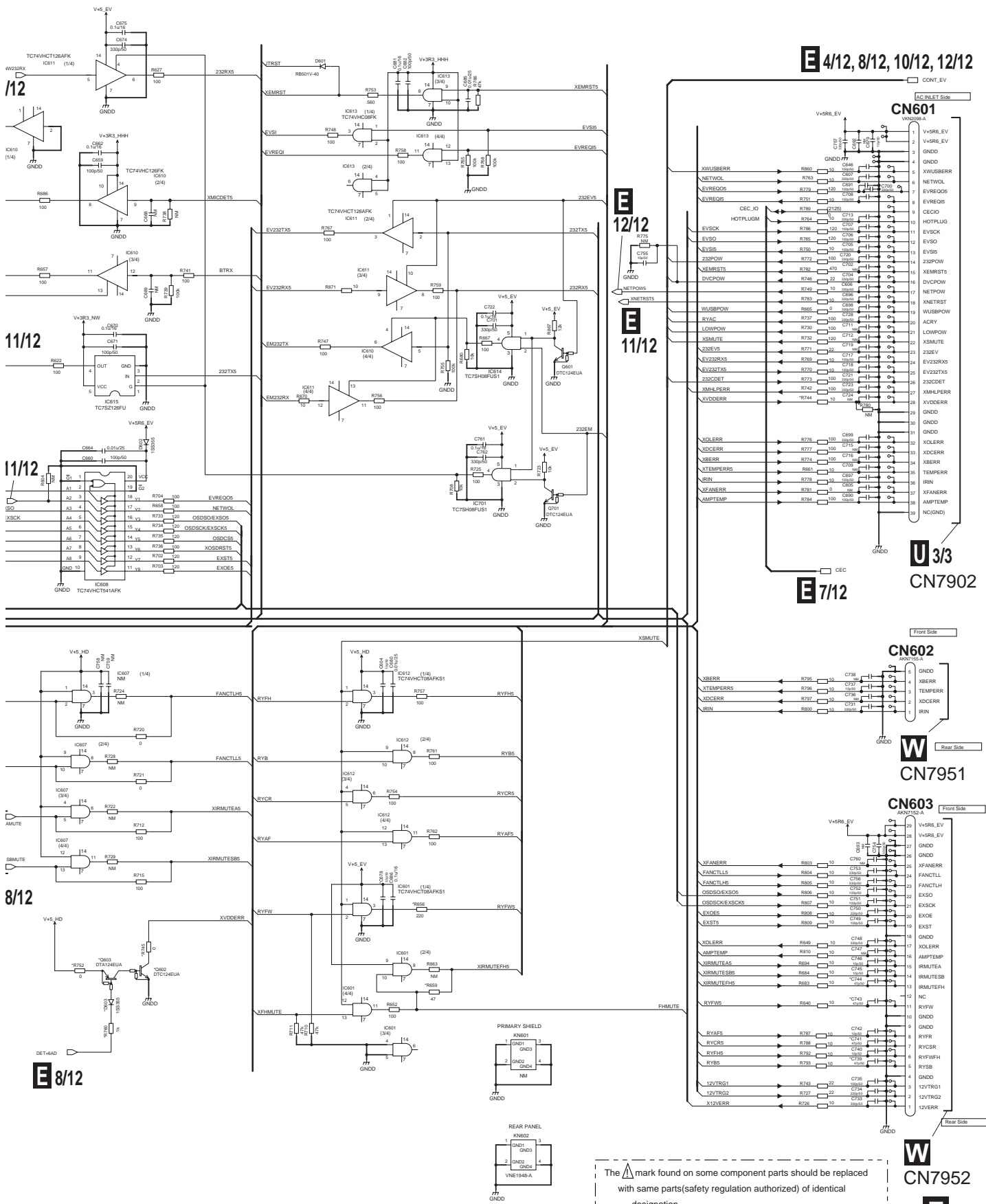
1

2

3

4

E2/12 DIGITAL MAIN ASSY (2/12) (AWX1422)

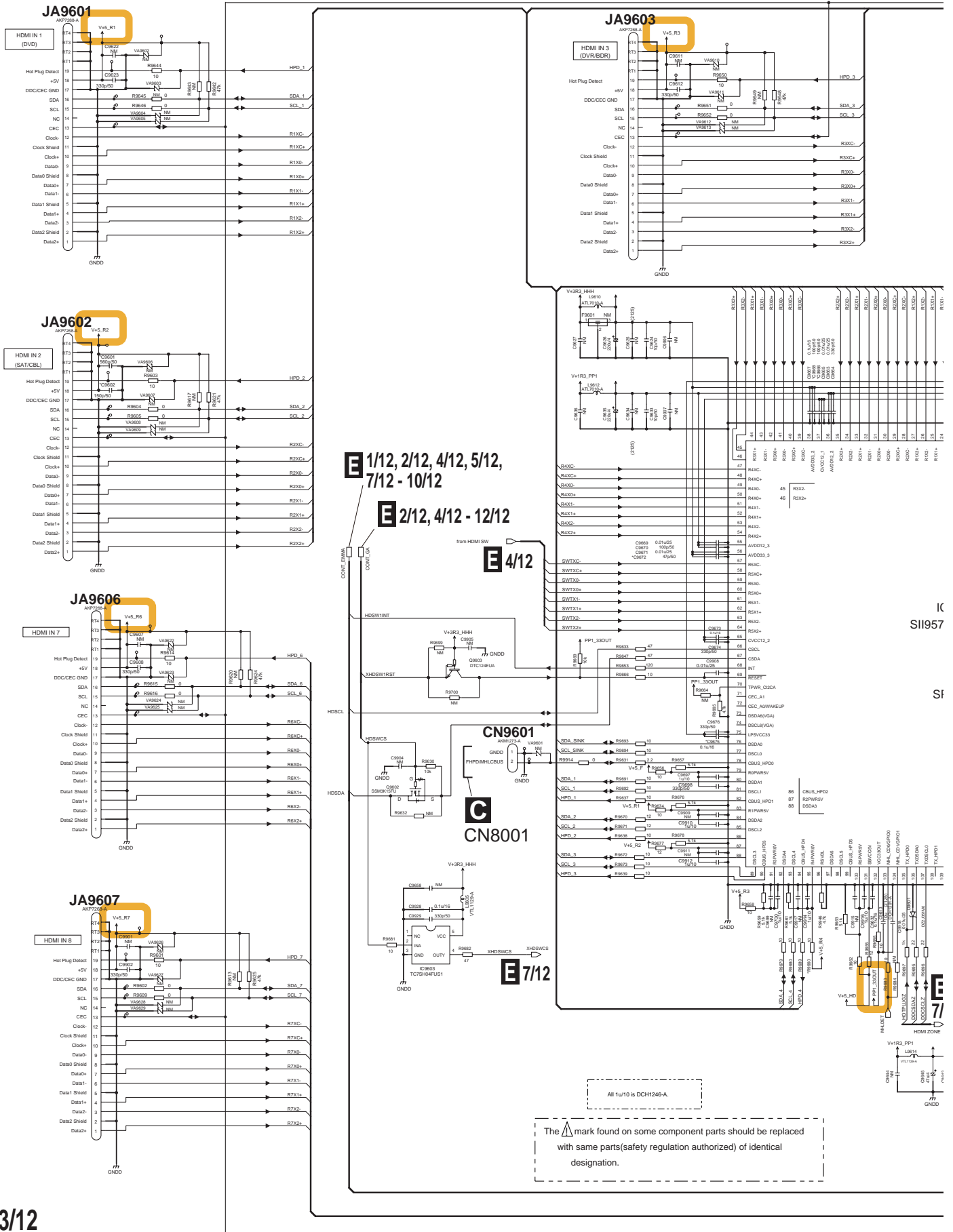


The \triangle mark found on some component parts should be replaced with same parts(safety regulation authorized) of identical designation.

10.13 DIGITAL MAIN ASSY (3/12)

1 2 3 4

A
B
C
D
E
F



E 1/12, 2/12, 4/12, 5/12, 7/12 - 10/12

E 2/12, 4/12 - 12/12

E 4/12

C CN8001

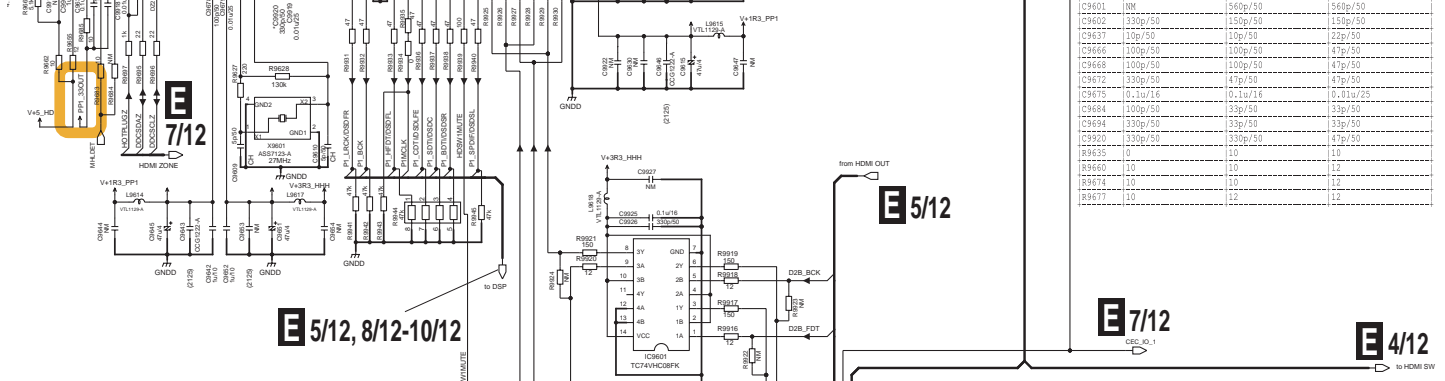
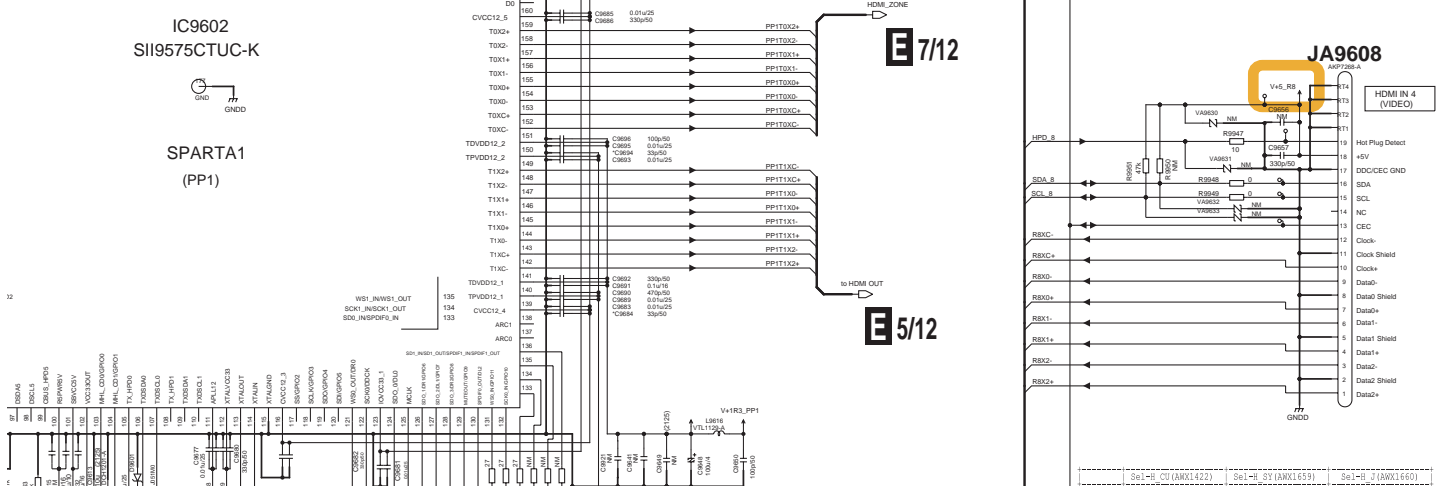
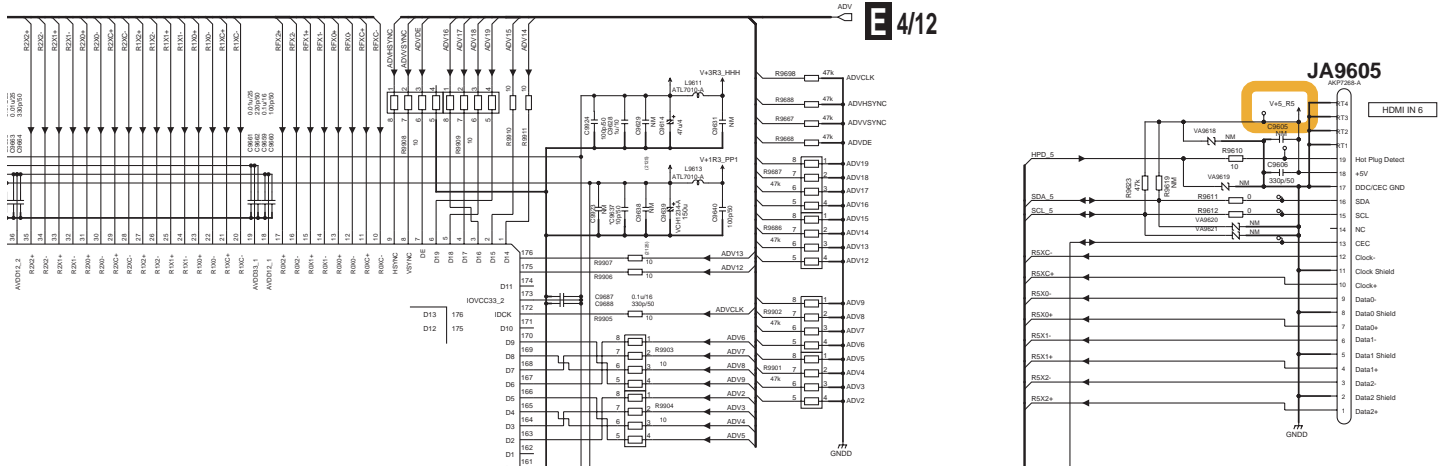
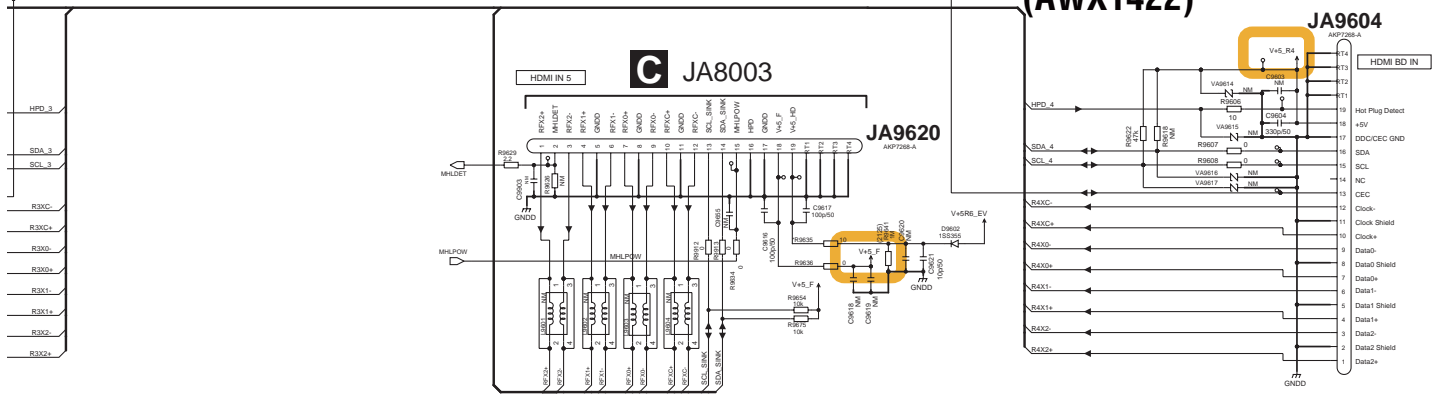
E 7/12

IC SII957

Sf

1 2 3 4

E 3/12 DIGITAL MAIN ASSY (3/12) (AWX1422)



Part	QTY	Part	QTY	Part	QTY
C9801	1	C9802	1	C9803	1
C9804	1	C9805	1	C9806	1
C9807	1	C9808	1	C9809	1
C9810	1	C9811	1	C9812	1
C9813	1	C9814	1	C9815	1
C9816	1	C9817	1	C9818	1
C9819	1	C9820	1	C9821	1
C9822	1	C9823	1	C9824	1
C9825	1	C9826	1	C9827	1
C9828	1	C9829	1	C9830	1
C9831	1	C9832	1	C9833	1
C9834	1	C9835	1	C9836	1
C9837	1	C9838	1	C9839	1
C9840	1	C9841	1	C9842	1
C9843	1	C9844	1	C9845	1
C9846	1	C9847	1	C9848	1
C9849	1	C9850	1	C9851	1
C9852	1	C9853	1	C9854	1
C9855	1	C9856	1	C9857	1
C9858	1	C9859	1	C9860	1
C9861	1	C9862	1	C9863	1
C9864	1	C9865	1	C9866	1
C9867	1	C9868	1	C9869	1
C9870	1	C9871	1	C9872	1
C9873	1	C9874	1	C9875	1
C9876	1	C9877	1	C9878	1
C9879	1	C9880	1	C9881	1
C9882	1	C9883	1	C9884	1
C9885	1	C9886	1	C9887	1
C9888	1	C9889	1	C9890	1
C9891	1	C9892	1	C9893	1
C9894	1	C9895	1	C9896	1
C9897	1	C9898	1	C9899	1
C9900	1	C9901	1	C9902	1
C9903	1	C9904	1	C9905	1
C9906	1	C9907	1	C9908	1
C9909	1	C9910	1	C9911	1
C9912	1	C9913	1	C9914	1
C9915	1	C9916	1	C9917	1
C9918	1	C9919	1	C9920	1
C9921	1	C9922	1	C9923	1
C9924	1	C9925	1	C9926	1
C9927	1	C9928	1	C9929	1
C9930	1	C9931	1	C9932	1
C9933	1	C9934	1	C9935	1
C9936	1	C9937	1	C9938	1
C9939	1	C9940	1	C9941	1
C9942	1	C9943	1	C9944	1
C9945	1	C9946	1	C9947	1
C9948	1	C9949	1	C9950	1
C9951	1	C9952	1	C9953	1
C9954	1	C9955	1	C9956	1
C9957	1	C9958	1	C9959	1
C9960	1	C9961	1	C9962	1
C9963	1	C9964	1	C9965	1
C9966	1	C9967	1	C9968	1
C9969	1	C9970	1	C9971	1
C9972	1	C9973	1	C9974	1
C9975	1	C9976	1	C9977	1
C9978	1	C9979	1	C9980	1
C9981	1	C9982	1	C9983	1
C9984	1	C9985	1	C9986	1
C9987	1	C9988	1	C9989	1
C9990	1	C9991	1	C9992	1
C9993	1	C9994	1	C9995	1
C9996	1	C9997	1	C9998	1
C9999	1	C10000	1		

10.14 DIGITAL MAIN ASSY (4/12)

1

2

3

4

A

B

C

D

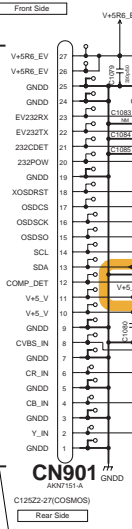
E

F

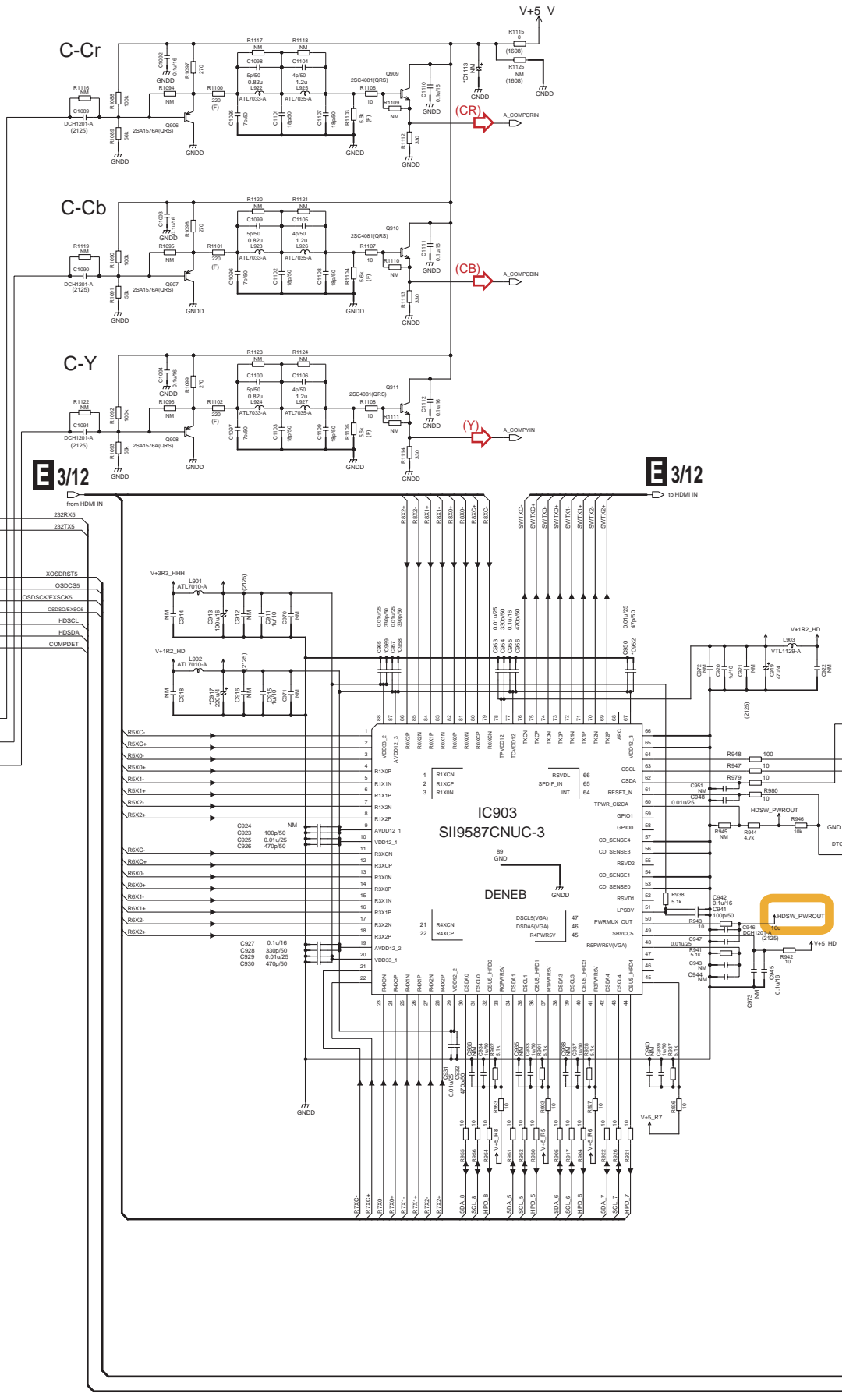
E 2/12, 8/12, 10/12, 11/12

E 3/12

E 3/12



G 1/3
CN8301



E 4/12
32

1

2

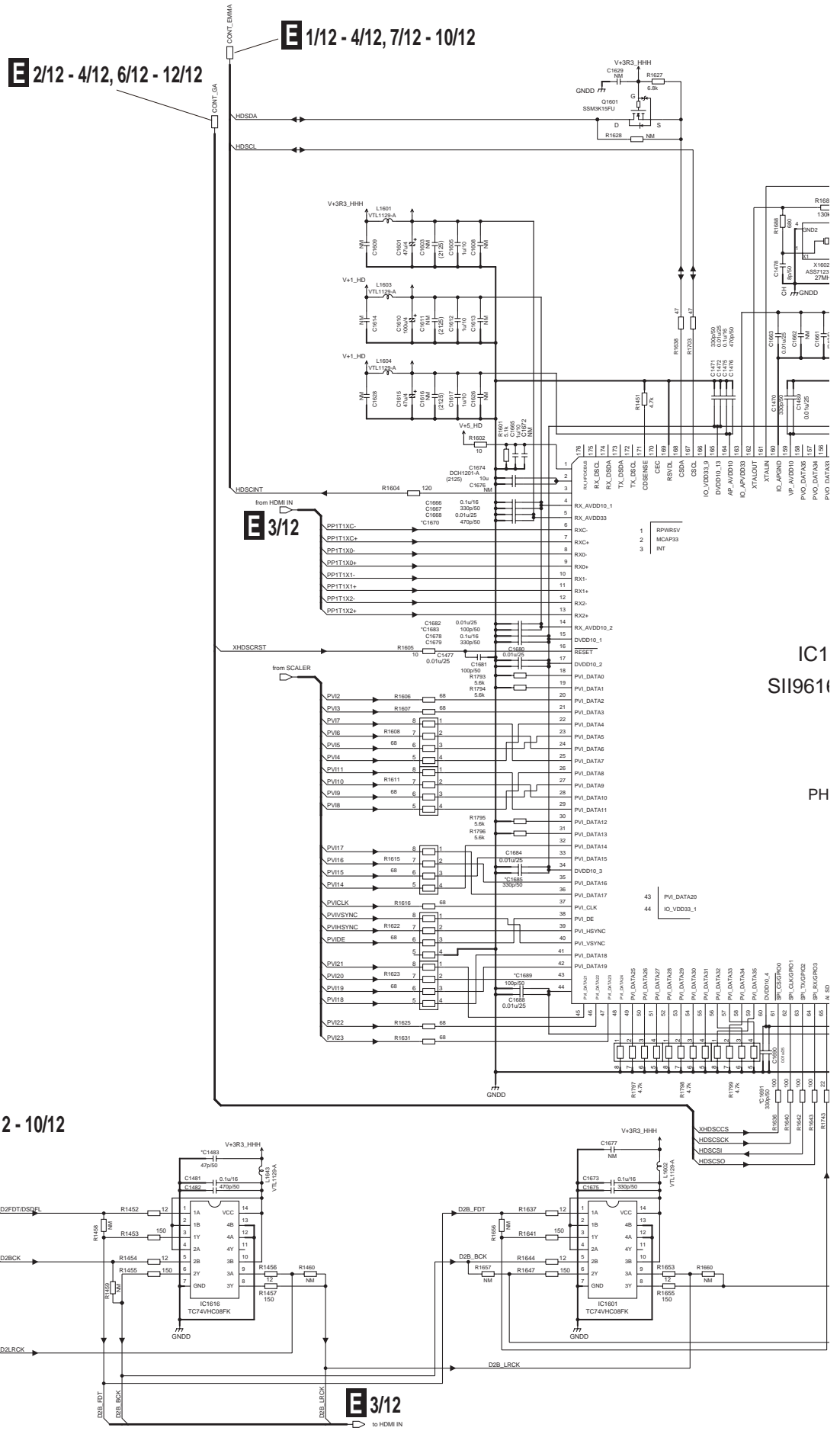
3

4

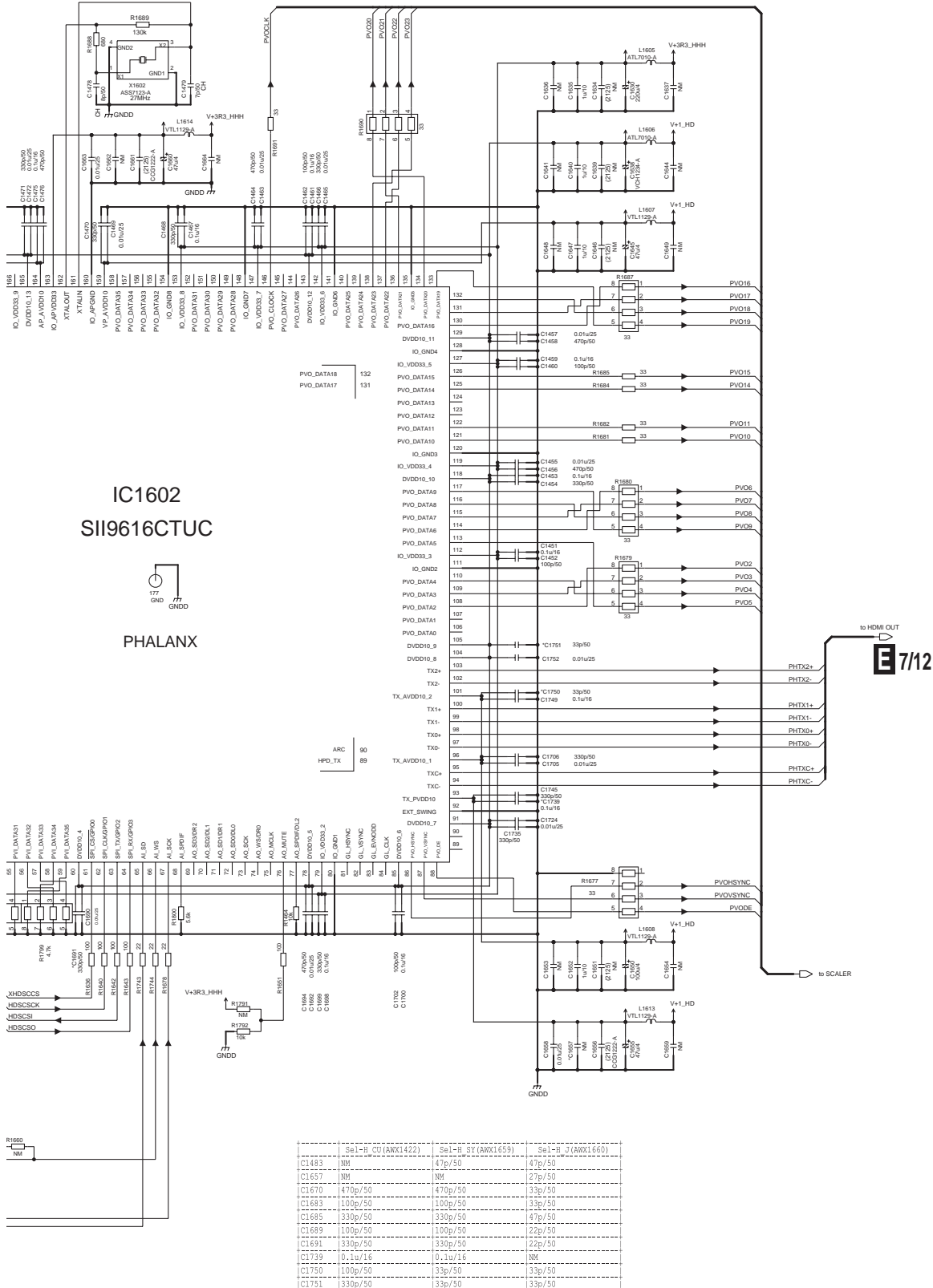
10.15 DIGITAL MAIN ASSY (5/12)

A
B
C
D
E
F

1 2 3 4



1 2 3 4



SC-75

10.16 DIGITAL MAIN ASSY (6/12)

1

2

3

4

A

B

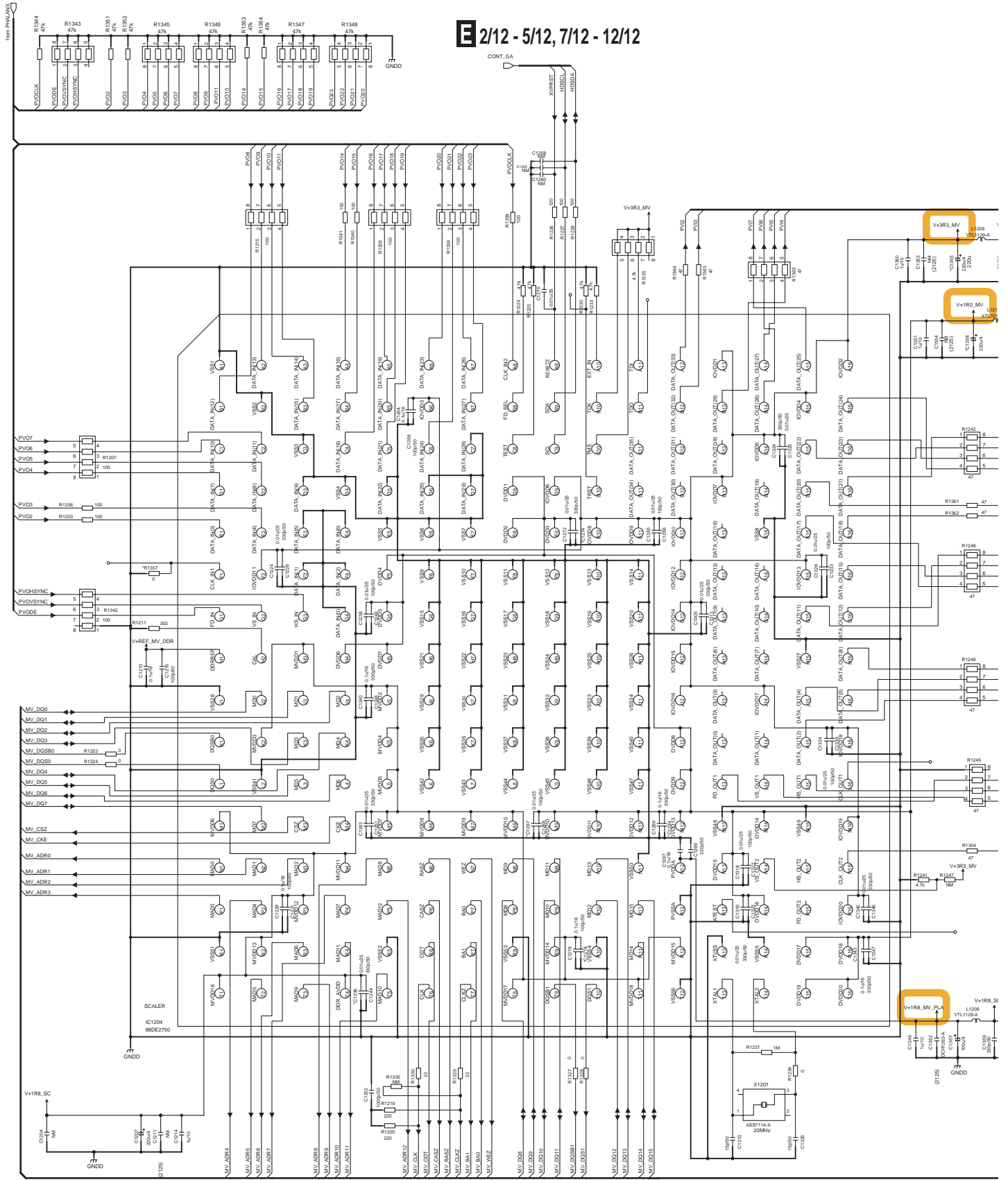
C

D

E

F

E 2/12 - 5/12, 7/12 - 12/12



1

2

3

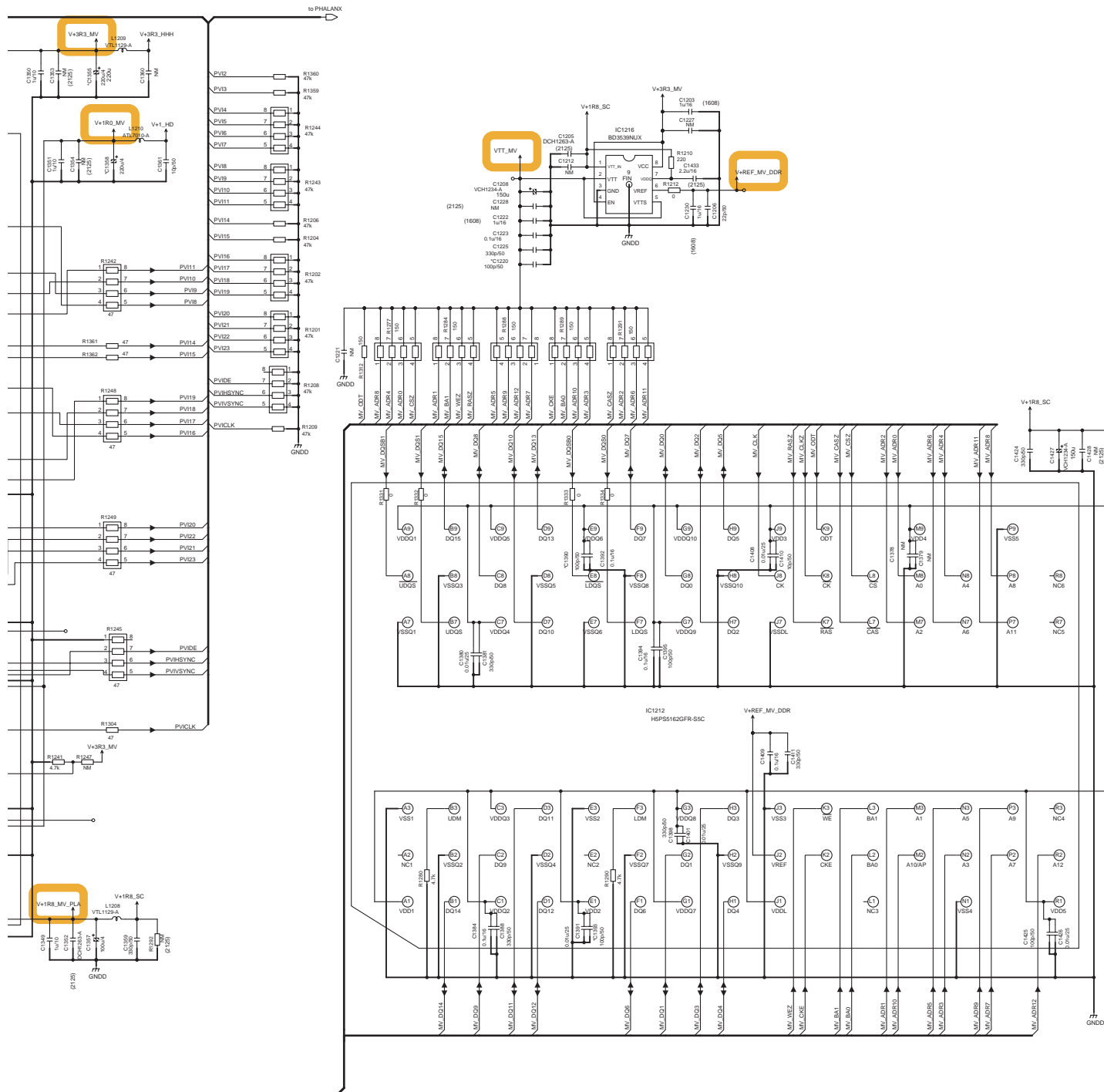
4

E6/12 DIGITAL MAIN ASSY (6/12) (AWX1422)

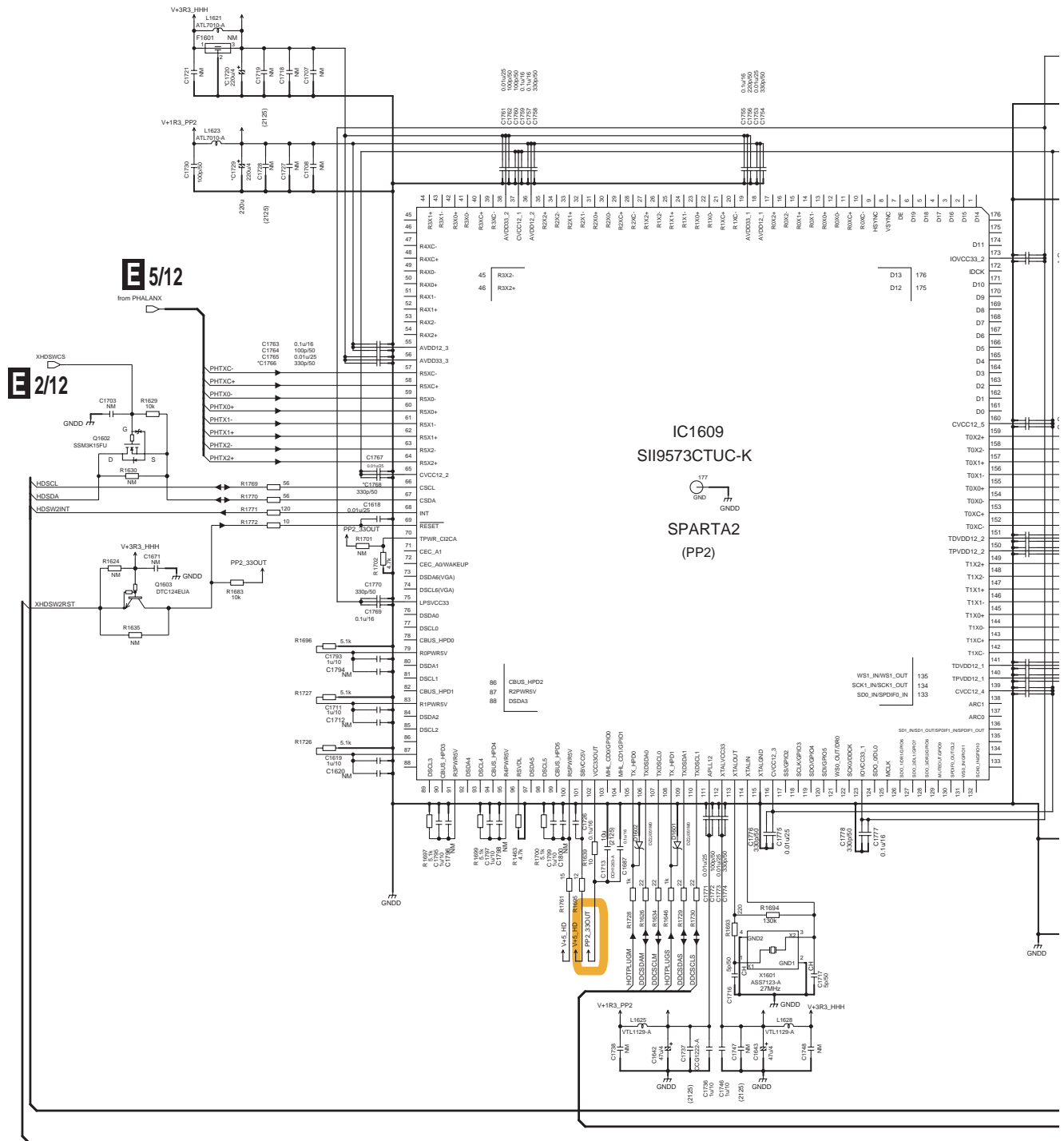
	Sel-H_CU (AWX1422)	Sel-H_SY (AWX1659)	Sel-H_J (AWX1660)
C1220	100p/50	100p/50	22p/50
C1236	0.1u/16	0.01u/25	0.01u/25
C1267	0.1u/16	0.01u/25	0.01u/25
C1274	330p/50	330p/50	27p/50
C1278	100p/50	100p/50	22p/50
C1294	330p/50	330p/50	47p/50
C1390	100p/50	100p/50	27p/50
C1393	100p/50	100p/50	22p/50
R1357	0	0	32

All 1u/10 is DCH1246-A.

The Δ mark found on some component parts should be replaced with same parts (safety regulation authorized) of identical designation.

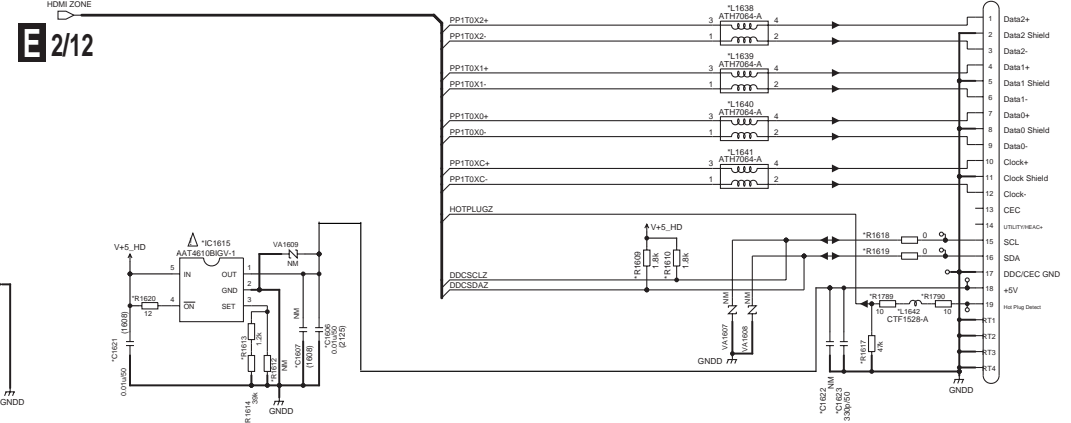
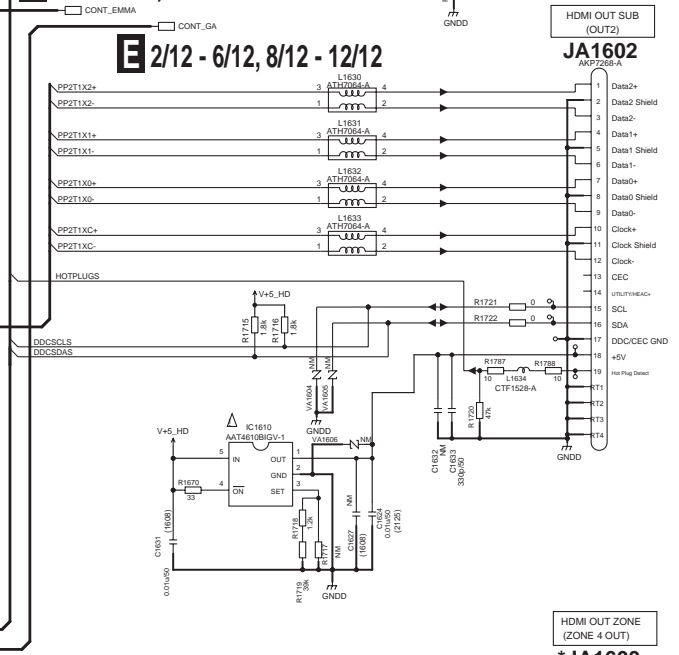
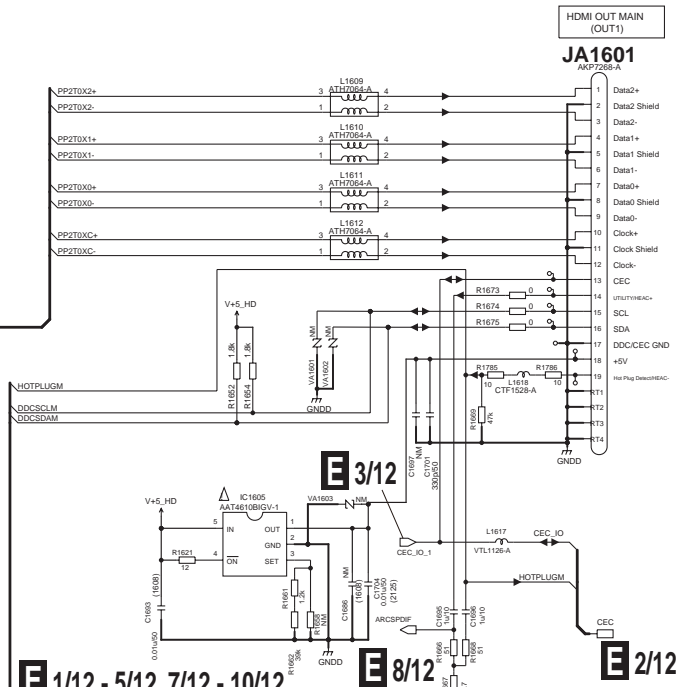
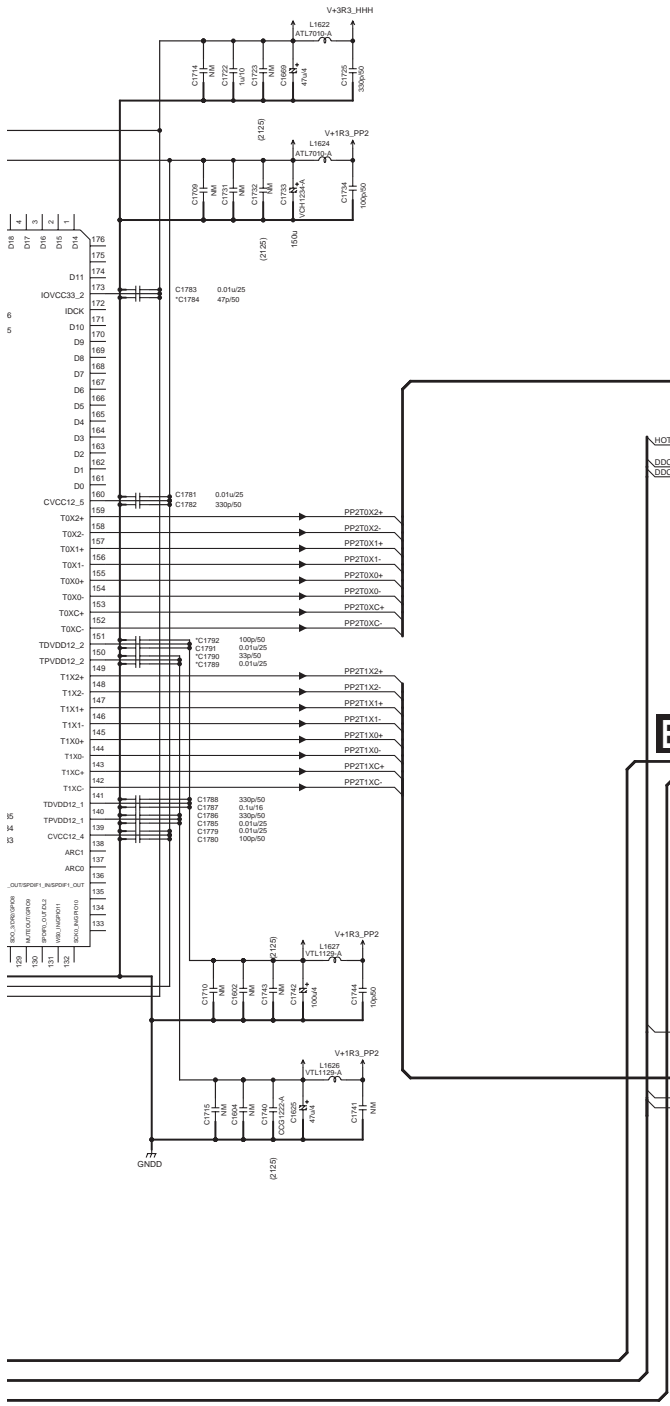


10.17 DIGITAL MAIN ASSY (7/12)



The Δ mark found on some component parts should be replaced with same parts (safety regulation authorized) of identical designation.

E7/12 DIGITAL MAIN ASSY (7/12) (AWX1422)

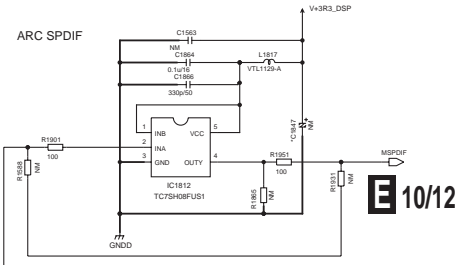


10.18 DIGITAL MAIN ASSY (8/12)

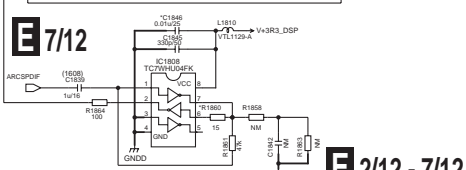
1 2 3 4

A

E 2/12 - 7/12, 9/12 - 12/12



B

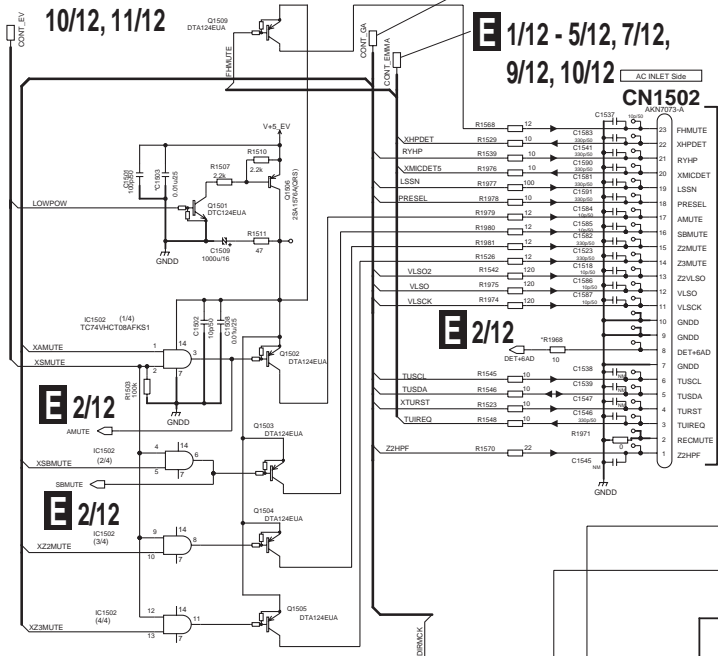


C

E 2/12, 4/12, 10/12, 11/12

E 2/12 - 7/12, 9/12 - 12/12

E 1/12 - 5/12, 7/12, 9/12, 10/12

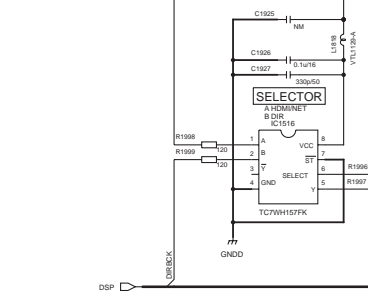


D

E 2/12

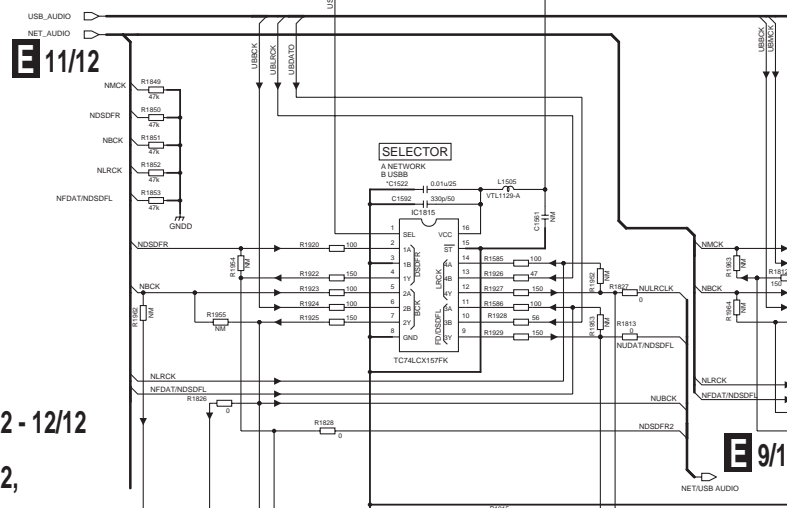
E 2/12

E 2/12

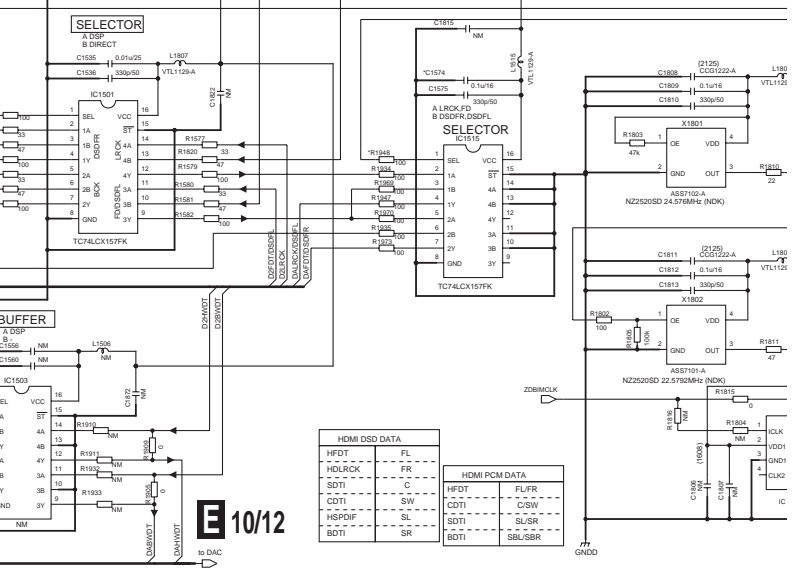
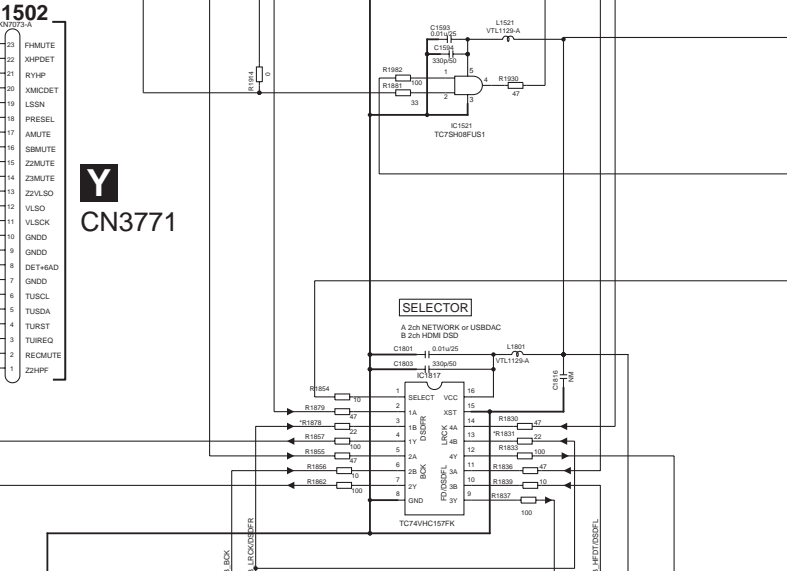


F

E 8/12



Y CN3771

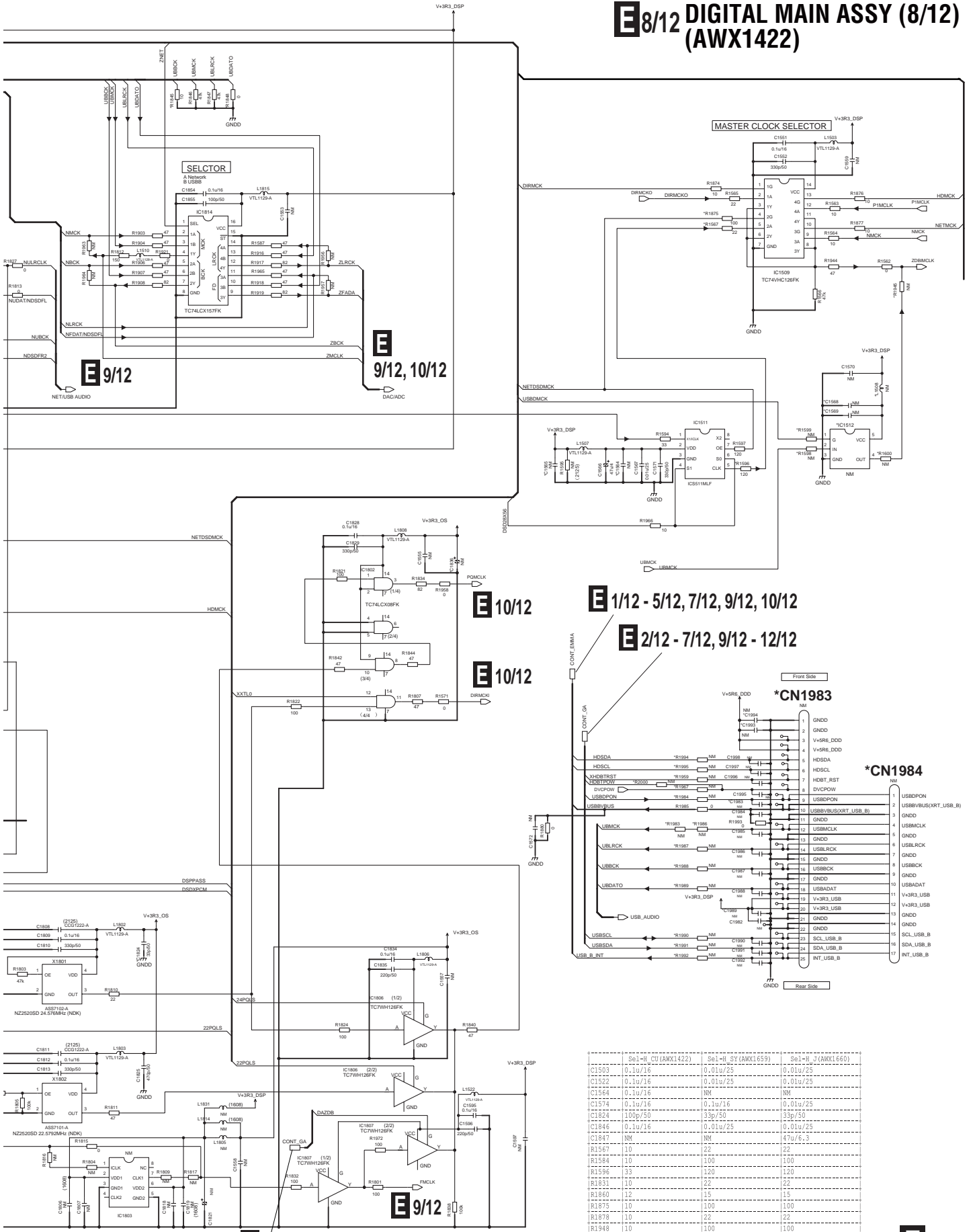


HDMI OSD DATA		HDMI PCM DATA	
HFDT	FL	HFDT	FLFR
HDLRCK	FR	CDT	CSW
SDTI	C	SDTI	CSUR
CDTI	SW	BDTI	SBL/SBR

1 2 3 4

E 8/12 DIGITAL MAIN ASSY (8/12) (AWX1422)

A
B
C
D
E
F



E 1/12 - 5/12, 7/12, 9/12, 10/12
E 2/12 - 7/12, 9/12 - 12/12

	SEL-H CU (AWX1422)	SEL-H SY (AWX1659)	SEL-H J (AWX1660)
C1503	0.1u/16	0.01u/25	0.01u/25
C1522	0.1u/16	0.01u/25	0.01u/25
C1564	0.1u/16	NM	NM
C1574	0.1u/16	0.1u/16	0.01u/25
C1824	100p/50	33p/50	33p/50
C1846	0.1u/16	0.01u/25	0.01u/25
C1847	NM	NM	47u/6.3
R1507	10	100	22
R1508	10	100	100
R1509	33	100	100
R1510	10	100	100
R1511	10	100	100
R1512	10	100	100
R1513	10	100	100
R1514	10	100	100
R1515	10	100	100
R1516	10	100	100
R1517	10	100	100
R1518	10	100	100
R1519	10	100	100
R1520	10	100	100
R1521	10	100	100
R1522	10	100	100
R1523	10	100	100
R1524	10	100	100
R1525	10	100	100
R1526	10	100	100
R1527	10	100	100
R1528	10	100	100
R1529	10	100	100
R1530	10	100	100

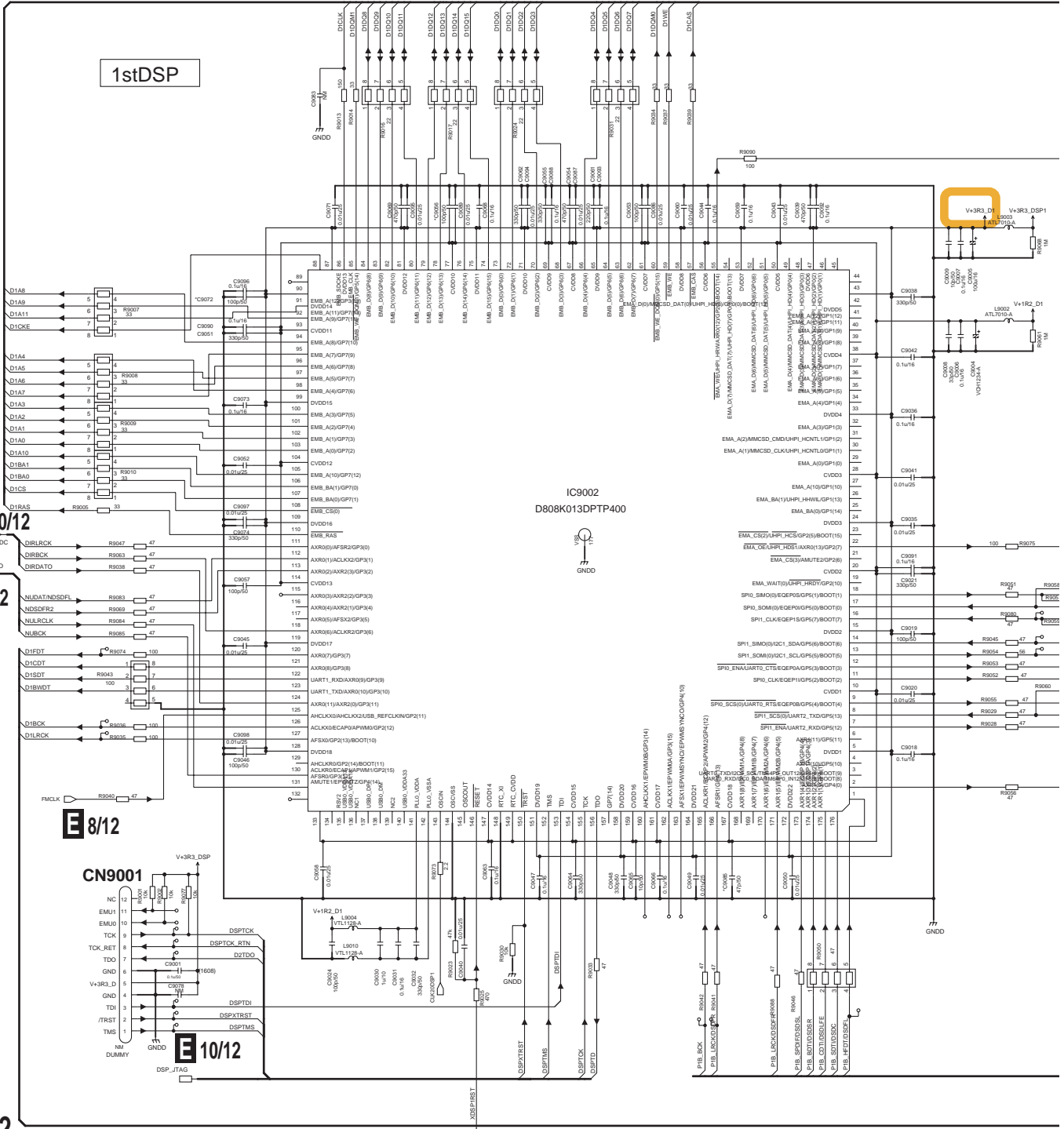
E 2/12 - 7/12, 9/12 - 12/12

[All 1u/10 is DCH1246-A.]

E 8/12

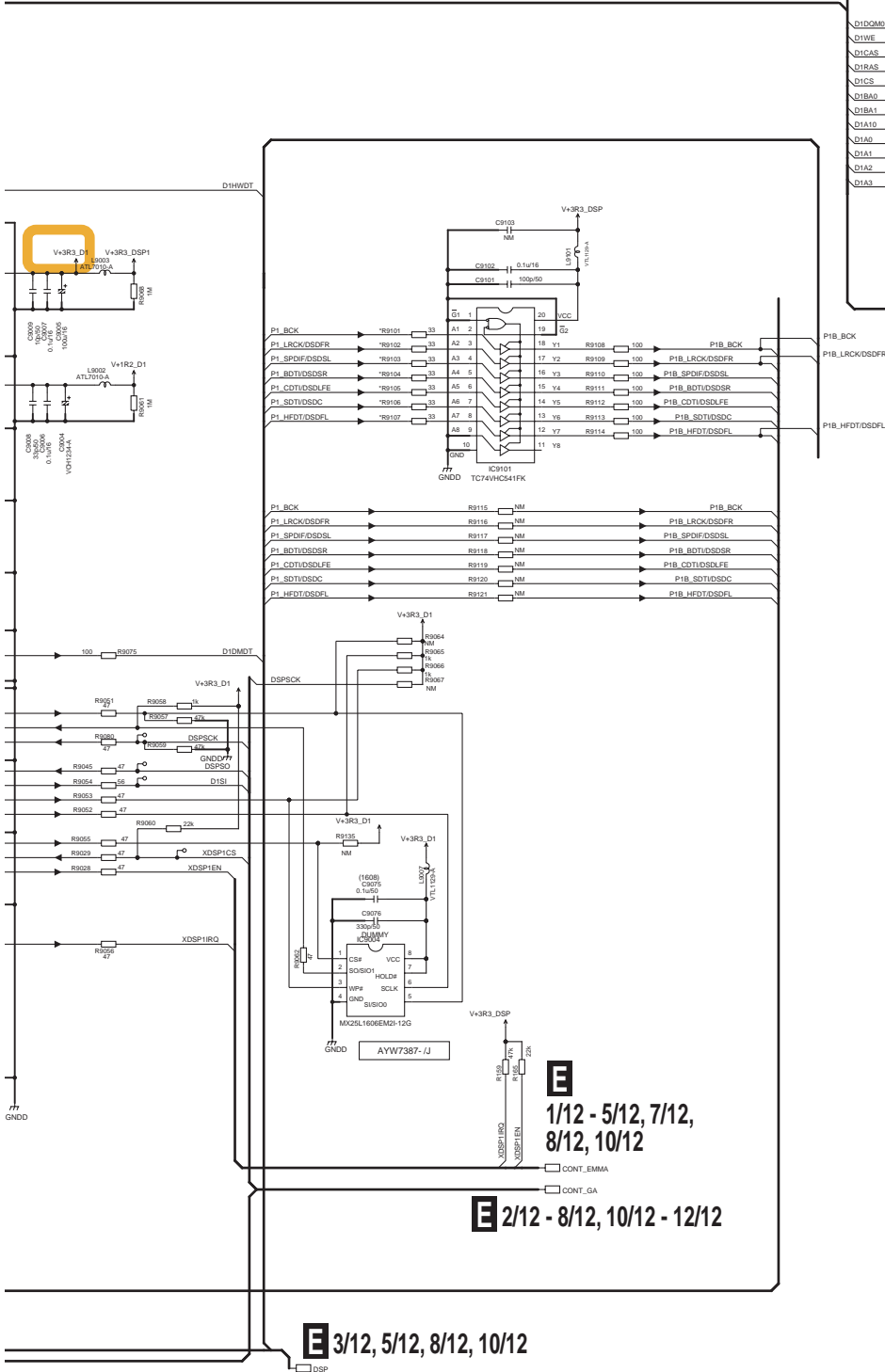
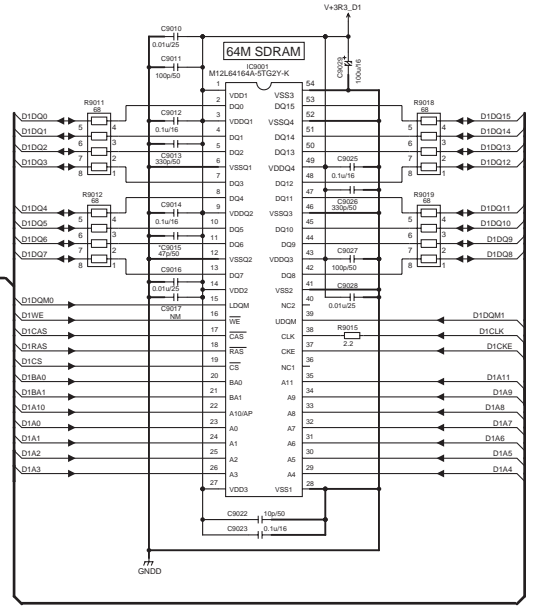
SC-75

10.19 DIGITAL MAIN ASSY (9/12)



E9/12 DIGITAL MAIN ASSY (9/12) (AWX1422)

	Se1-H_CU (AWX1422)	Se1-H_SY (AWX1659)	Se1-H_J (AWX1660)
C9015	330p/50	47p/50	47p/50
C9056	100p/50	100p/50	47p/50
C9072	100p/50	100p/50	22p/50
C9085	100p/50	47p/50	47p/50
R9101	27	33	33
R9102	27	33	33
R9103	27	33	33
R9104	27	33	33
R9105	27	33	33
R9106	27	33	33
R9107	27	33	33



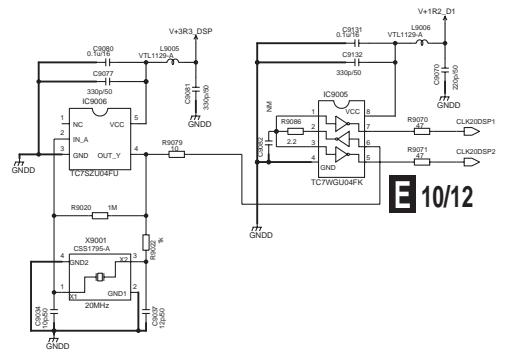
E 1/12 - 5/12, 7/12, 8/12, 10/12

E 2/12 - 8/12, 10/12 - 12/12

E 3/12, 5/12, 8/12, 10/12

CONT. EMMA

CONT. GA



E 10/12

10.20 DIGITAL MAIN ASSY (10/12)

A

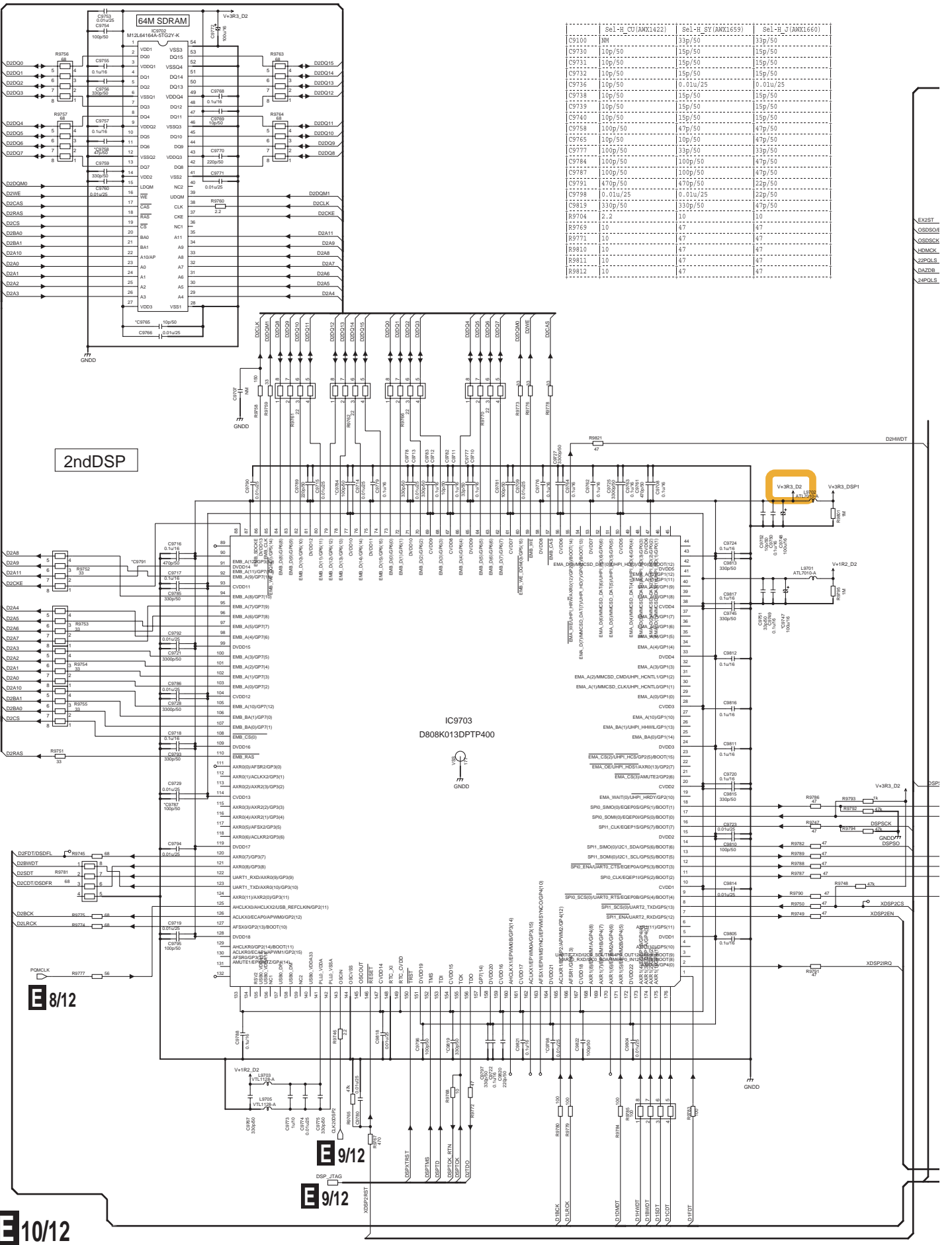
B

C

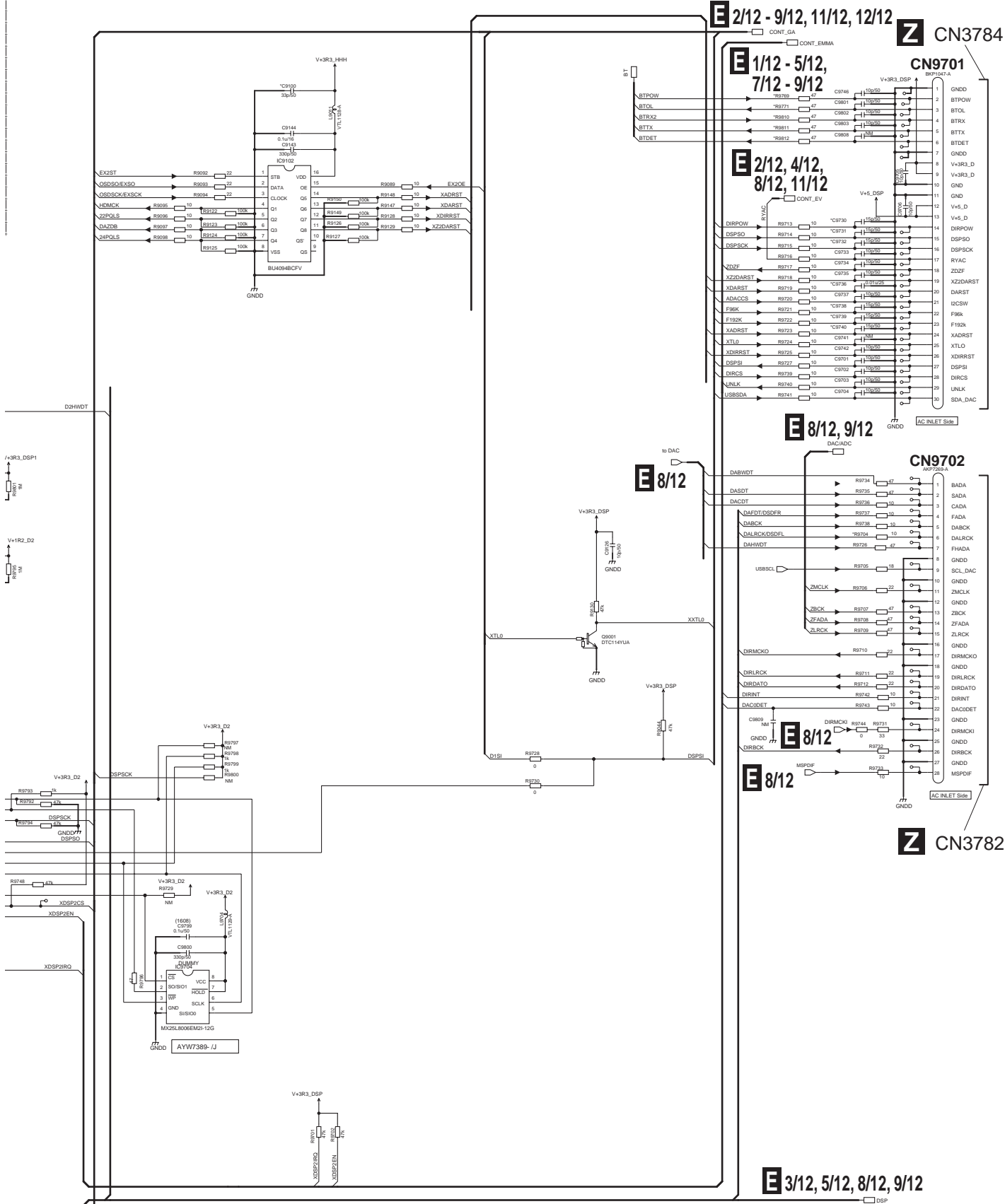
D

E

F



10/12 DIGITAL MAIN ASSY (10/12) (AWX1422)



A
B
C
D
E
F

10.21 DIGITAL MAIN ASSY (11/12)

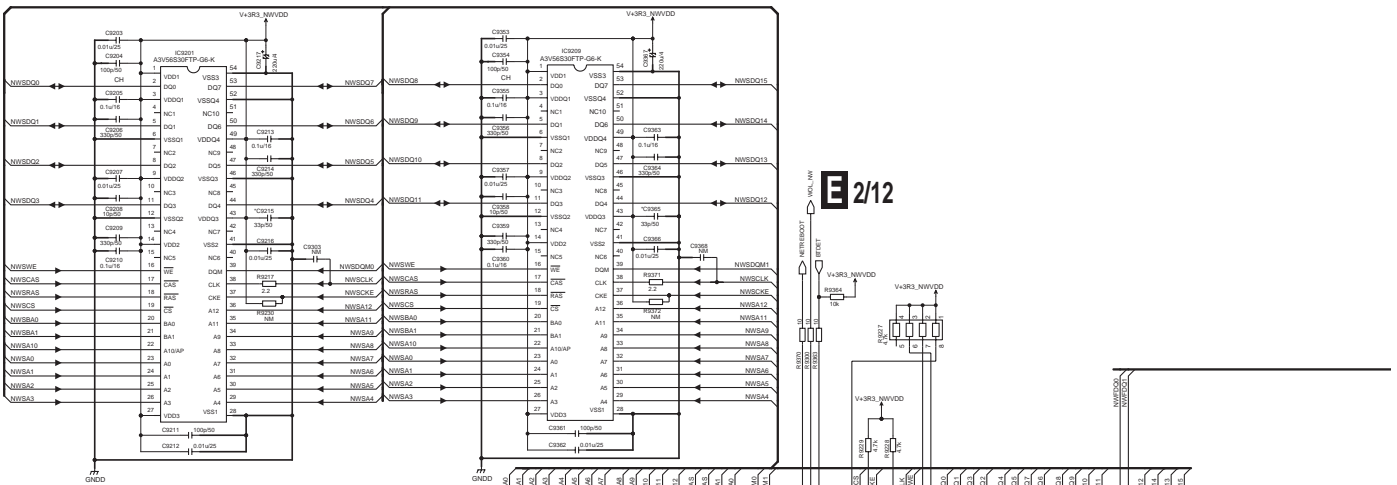
1

2

3

4

A



B

C

D

E

F

E 2/12 - 10/12, 12/12

E 2/12

E 2/12

C CN8001

CN9202

E 8/12

E 4/12

E 11/12

1

2

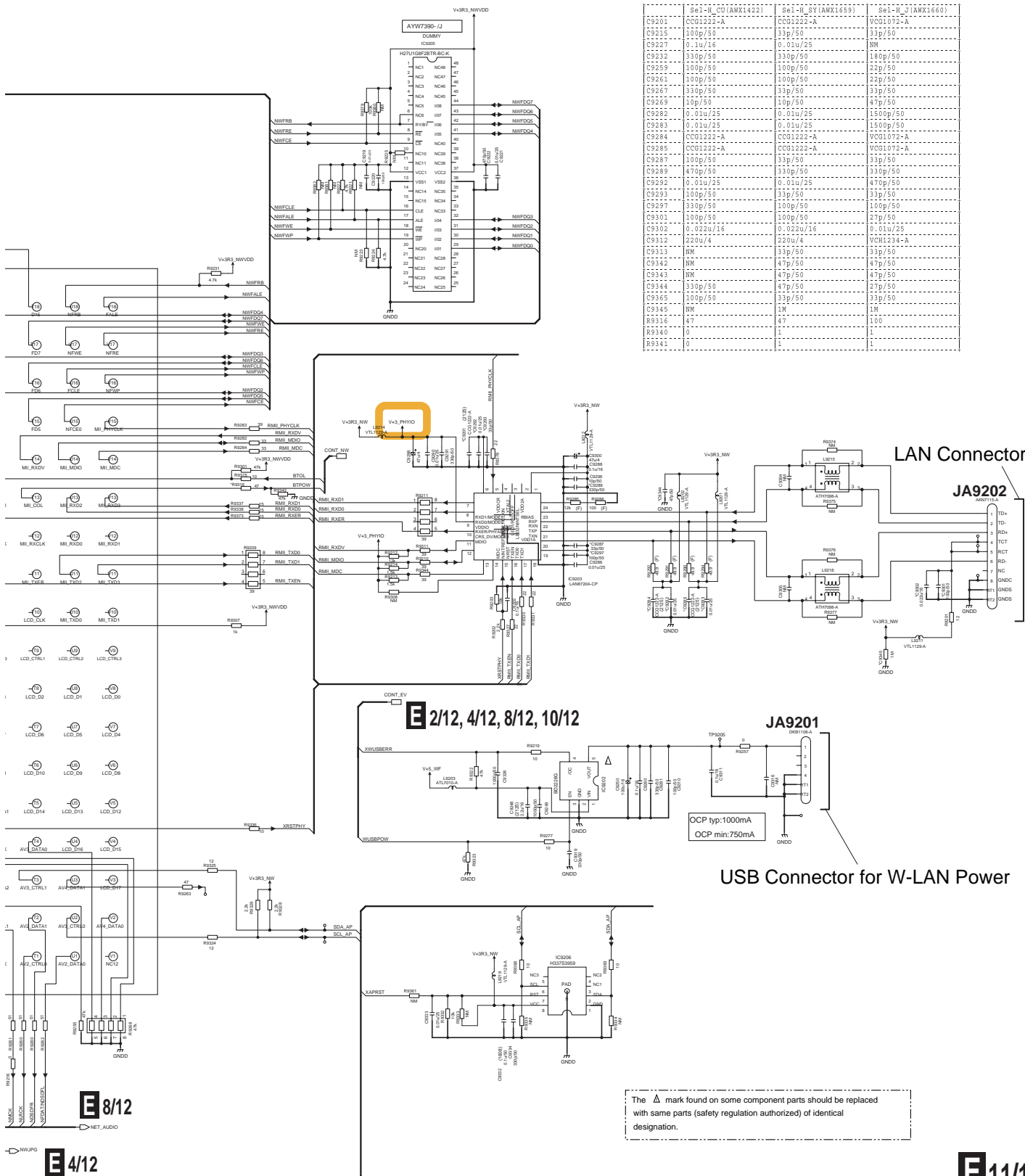
3

4

E11/12 DIGITAL MAIN ASSY (11/12) (AWX1422)

A
B
C
D
E
F

	Se1-H_CD(AWX1422)	Se1-H_SV(AWX1659)	Se1-H_J(AWX1660)
C9201	CCG1222-A	CCG1222-A	VCO1072-A
C9215	100p/50	33p/50	33p/50
C9227	0.1u/16	0.01u/25	10M
C9232	330p/50	330p/50	180p/50
C9259	100p/50	100p/50	22p/50
C9261	100p/50	100p/50	22p/50
C9267	330p/50	33p/50	33p/50
C9269	10p/50	10p/50	47p/50
C9282	0.01u/25	0.01u/25	1500p/50
C9283	0.01u/25	0.01u/25	1500p/50
C9284	CCG1222-A	CCG1222-A	VCO1072-A
C9285	CCG1222-A	CCG1222-A	VCO1072-A
C9287	100p/50	33p/50	33p/50
C9289	470p/50	330p/50	330p/50
C9292	0.01u/25	0.01u/25	470p/50
C9293	100p/50	33p/50	33p/50
C9297	330p/50	100p/50	100p/50
C9301	100p/50	100p/50	27p/50
C9302	0.022u/16	0.022u/16	0.01u/25
C9312	220u/4	220u/4	VCO1234-A
C9313	10M	33p/50	33p/50
C9342	10M	47p/50	47p/50
C9343	10M	47p/50	47p/50
C9344	330p/50	47p/50	27p/50
C9345	100p/50	33p/50	33p/50
C9346	10M	1M	1M
R9310	4.7	47	100
R9311	1	1	1
R9312	0	1	1
R9314	0	1	1



10.22 DIGITAL MAIN ASSY (12/12)

1

2

3

4

A

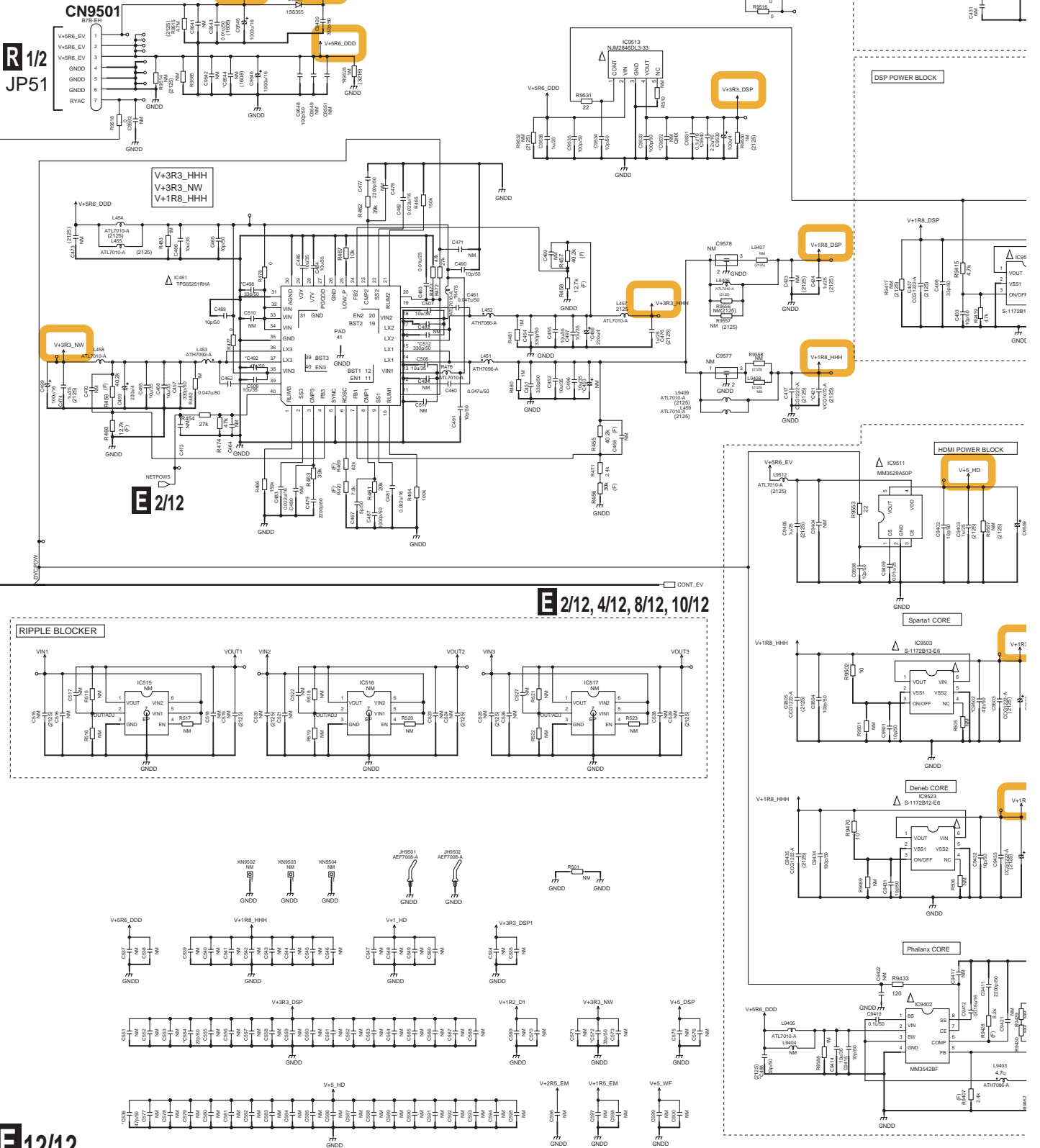
B

C

D

E

F



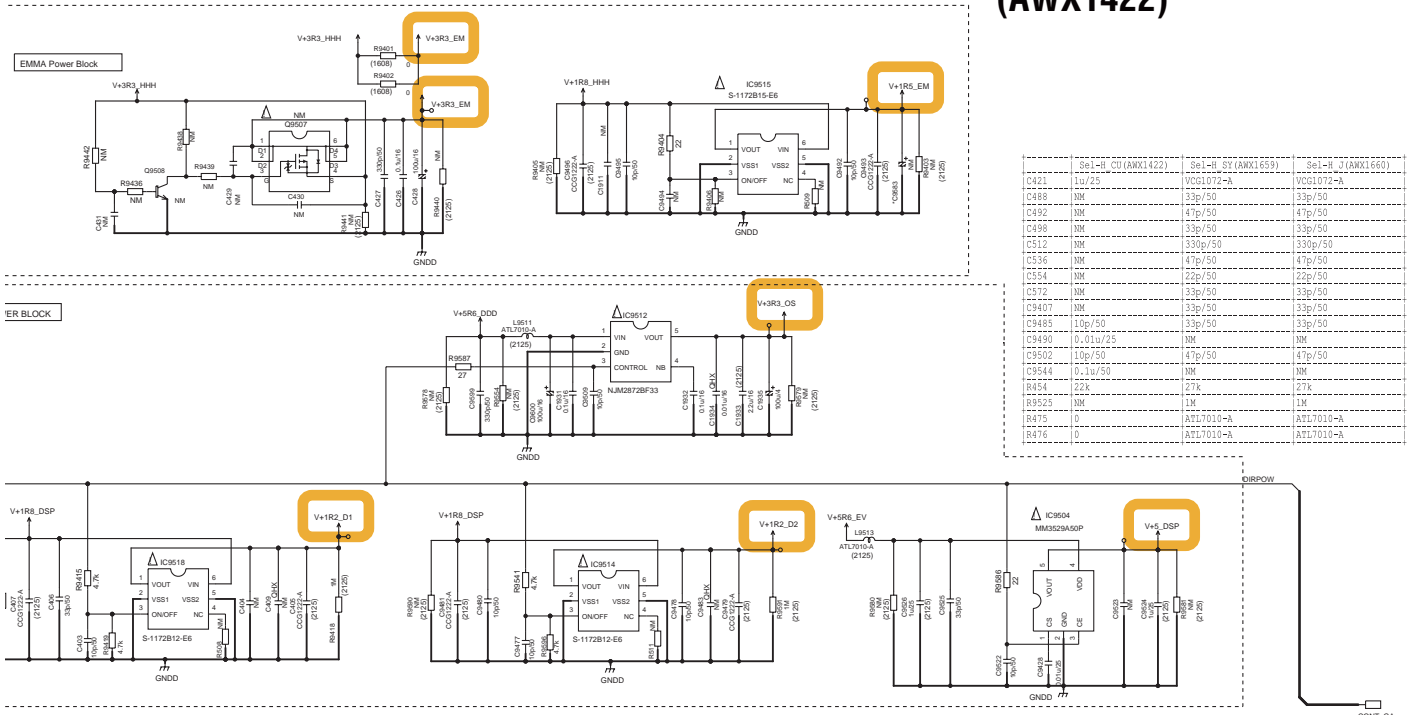
1

2

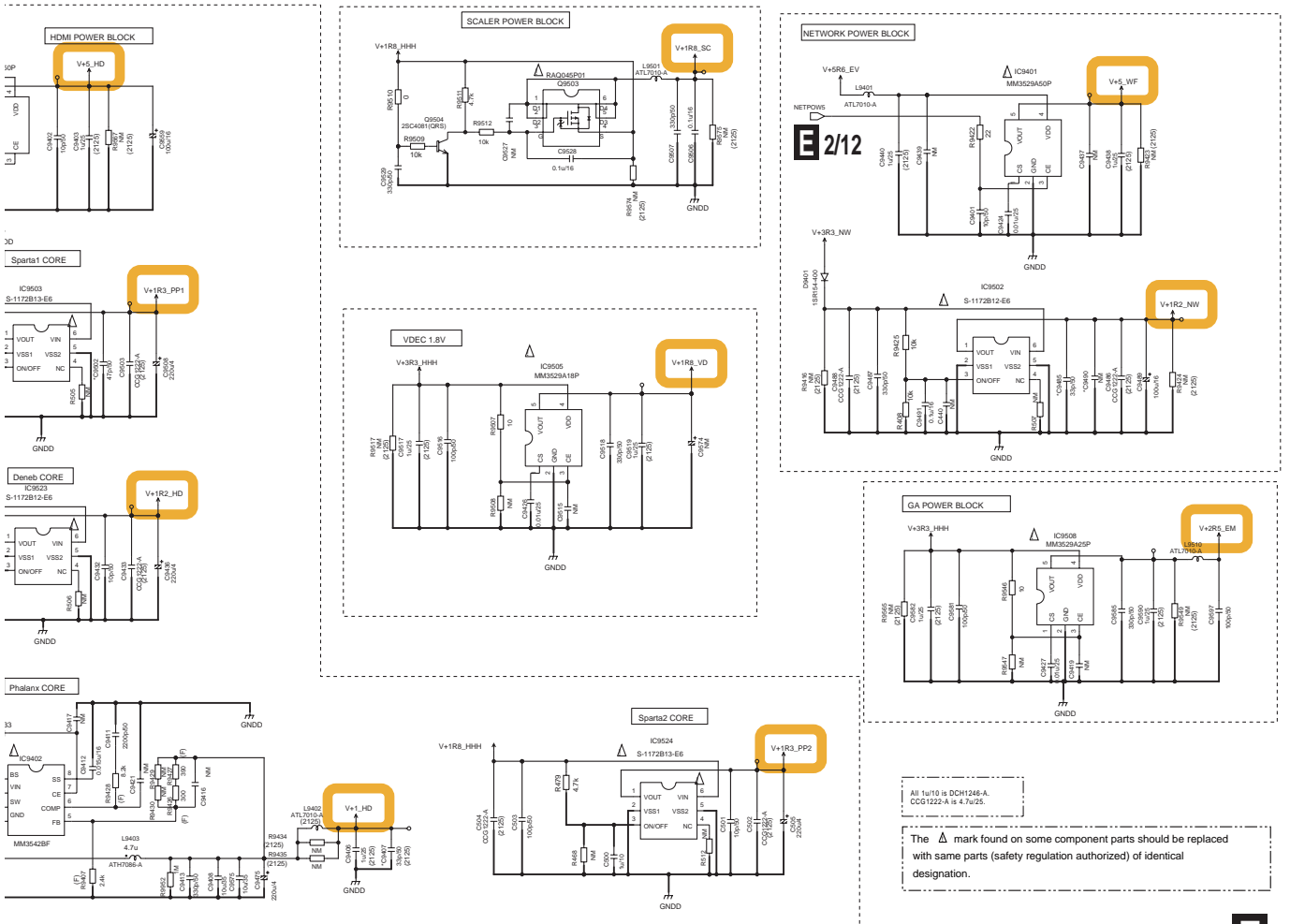
3

4

E12/12 DIGITAL MAIN ASSY (12/12) (AWX1422)



E 2/12 - 11/12



1/3
I8401

1/4
J2503

1/2
N7281

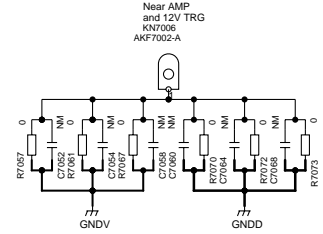
1/10
N4000

2V TRG1

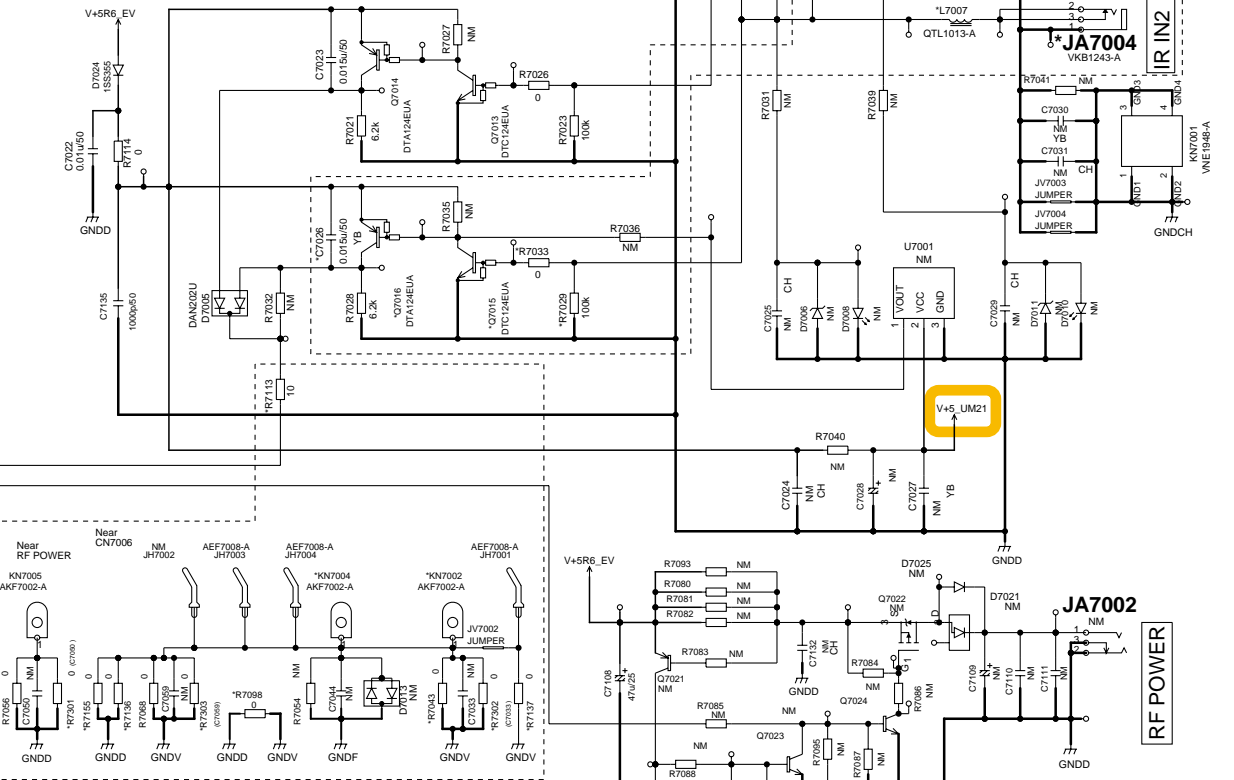
2V TRG2

	awx1363	awx1572	awx1573	awx1462	awx1574	awx1608	awx1677
C7082	NM	1000p/50	NM	NM	1000p/50	1000p/50	NM
C7083	NM	0.1u/50	NM	NM	0.1u/50	0.1u/50	NM
C7080	NM	1000p/50	NM	NM	1000p/50	1000p/50	NM
C7081	NM	0.1u/50	NM	NM	0.1u/50	0.1u/50	NM
R7110	1M	NM	1M	1M	NM	NM	1M
C7006	NM	1000p/50	NM	NM	1000p/50	1000p/50	NM
C7011	NM	0.1u/50	NM	NM	0.1u/50	0.1u/50	NM
C7012	NM	1000p/50	NM	NM	1000p/50	1000p/50	NM
C7015	0.01u/50	0.1u/50	0.01u/50	0.01u/50	0.1u/50	0.1u/50	0.01u/50
C7114	NM	0.1u/50	NM	NM	0.1u/50	0.1u/50	NM
R7043	0	NM	0	NM	NM	NM	0
R7098	0	NM	0	NM	NM	NM	0
R7111	1M	NM	1M	1M	NM	NM	1M
R7113	10	0	10	10	0	0	10
R7136	0	NM	0	NM	NM	NM	0
R7137	0	NM	0	NM	NM	NM	0
R7155	0	NM	0	NM	NM	NM	0
R7301	0	NM	0	NM	NM	NM	0
R7302	0	NM	0	NM	NM	NM	0
R7303	0	NM	0	NM	NM	NM	0
KN7002	AKF7002-A	NM	AKF7002-A	NM	NM	NM	AKF7002-A
KN7004	AKF7002-A	NM	AKF7002-A	NM	NM	NM	AKF7002-A
C7026	0.015u/50	0.015u/50	0.015u/50	NM	0.015u/50	NM	NM
R7029	100k	100k	100k	NM	100k	NM	NM
R7033	0	NM	0	NM	NM	NM	0
L7007	QTL1013-A	QTL1013-A	QTL1013-A	NM	QTL1013-A	NM	NM
D7007	RB501VM-40	RB501VM-40	RB501VM-40	NM	RB501VM-40	NM	NM
JA7004	VKB1243-A	VKB1243-A	VKB1243-A	NM	VKB1243-A	NM	NM
Q7015	DTC124EUA	DTC124EUA	DTC124EUA	NM	DTC124EUA	NM	NM
Q7016	DTA124EUA	DTA124EUA	DTA124EUA	NM	DTA124EUA	NM	NM

INTERFACE_S ASSY (AWX1572)



The Δ mark found on some component parts should be replaced with same parts (safety regulation authorized) of identical designation.



	awx1363	awx1572	awx1573	awx1462	awx1574	awx1608	awx1677
R7107	NM	NM	NM	0	0	0	0
R7150	NM	NM	NM	0	0	0	0
CN7003	AKM7225-A	AKM7225-A	AKM7225-A	NM	NM	NM	NM
CN7011	AKM7105-A	AKM7105-A	AKM7105-A	NM	NM	NM	NM
CN7012	NM	NM	NM	AKM7221-A	AKM7221-A	AKM7221-A	AKM7221-A

NOTE
 1. RESISTORS
 Unit: k- Ω , M-M Ω or Ω unless otherwise noted.
 Rated Power: 1/10w unless otherwise noted.
 Tolerance: (J)5% unless otherwise noted.
 MUF: RD14MUF
 2125: RS1/BSQ, 3216: RS1/4SA
 NO MARKED: RS1/10SR unless otherwise noted.
 2. CAPACITORS
 Unit: p-pF or u-uF unless otherwise noted.
 Ratings: Capacity(F)/Voltage(V) unless otherwise noted.
 CH: COSRCH, CTFLA: CFTLA
 NO MARKED: CKSRYB or CEAK
 3. NM: No Mount

: Video Signal Route
 : Audio Signal Route



10.24 COMPONENT ASSY (1/3)

1 2 3 4

A

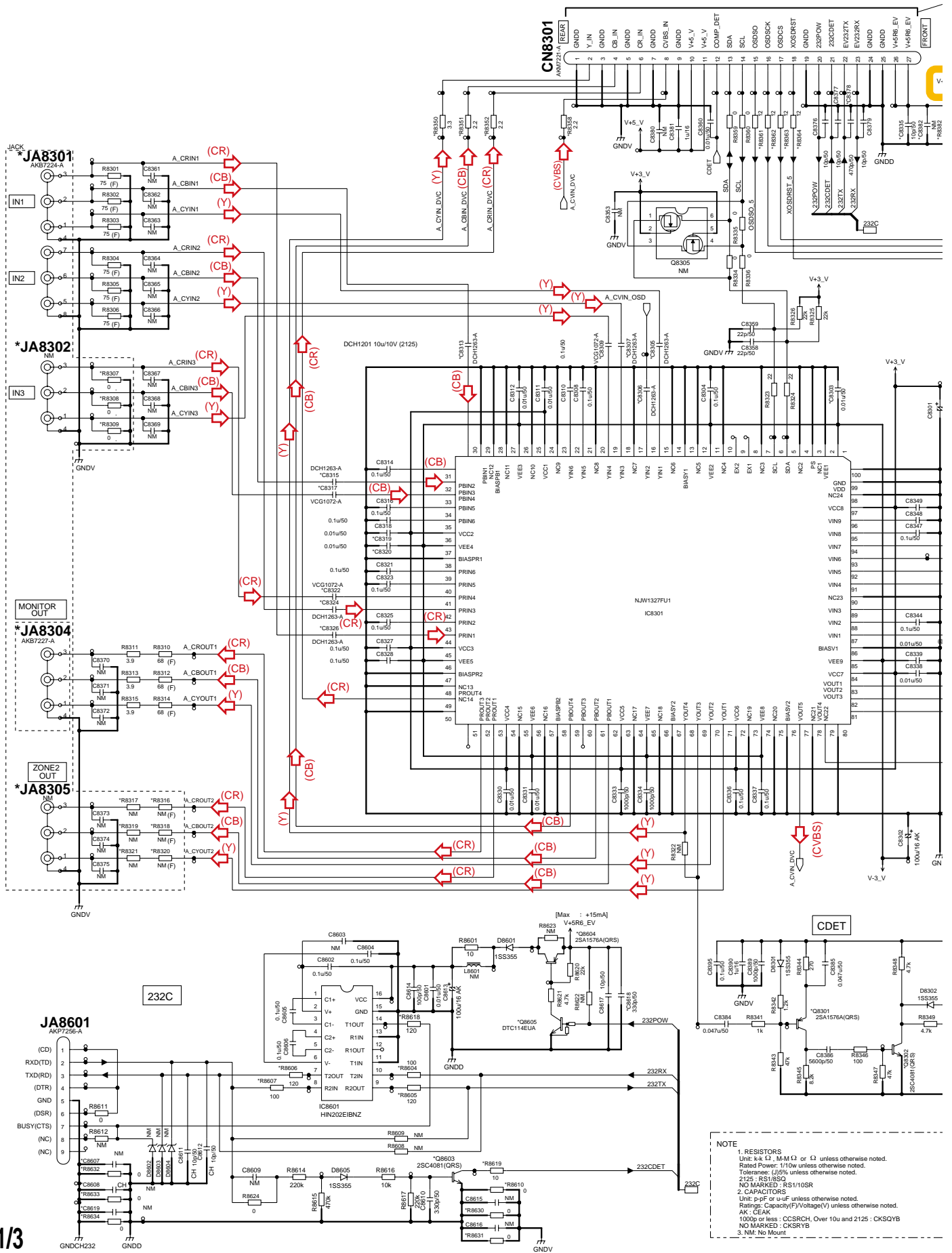
B

C

D

E

F



NOTE

- RESISTORS
Unit: k-k Ω, M-M Ω or Ω unless otherwise noted.
Rated Power: 1/10w unless otherwise noted.
Tolerance: J(5% unless otherwise noted).
2125: RS1/SSO
NO MARKED: RS1/10SR
- CAPACITORS
Unit: p-pF or u-uF unless otherwise noted.
Rating: Capacity(F)/Voltage(V) unless otherwise noted.
AK: CEAK
1000p or less : CCSRCH, Over 10u and 2125 : CKSQYB
NO MARKED : CKSRYB
- NM: No Mount

G1/3

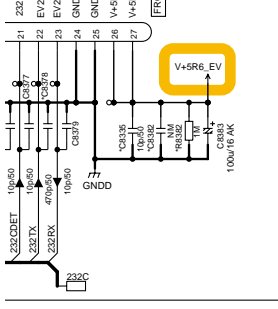
52

SC-75

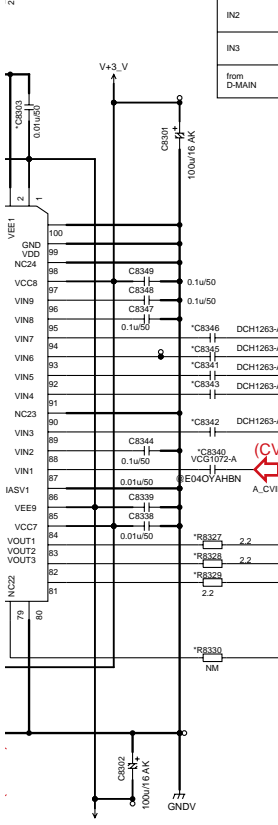
1 2 3 4

G1/3 COMPONENT ASSY(1/3) (AWX1623)

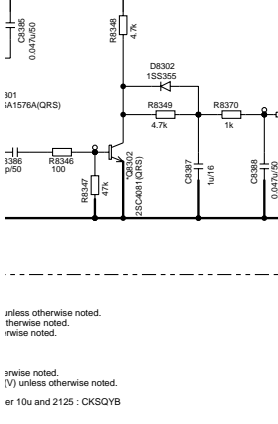
E 4/12
CN901



V
22A



DET

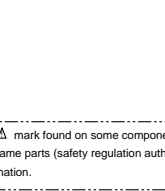
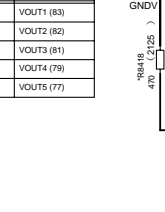
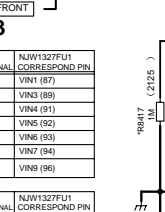
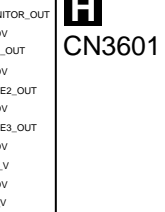
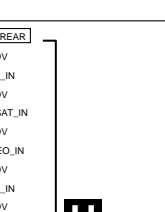
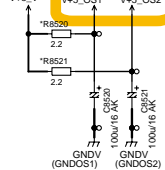


unless otherwise noted, otherwise noted, otherwise noted.

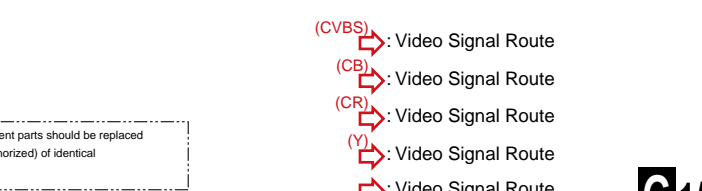
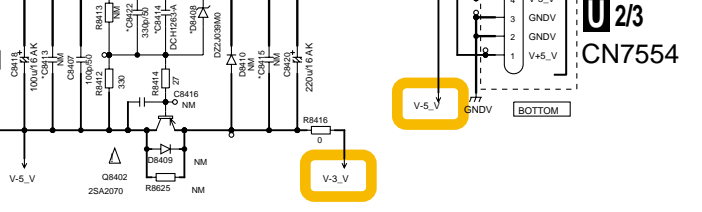
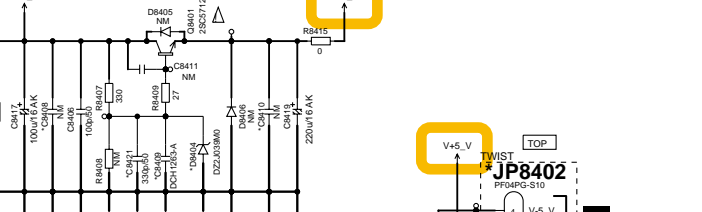
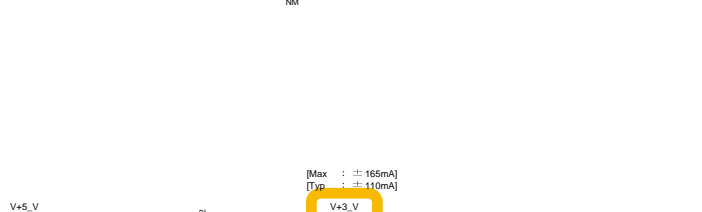
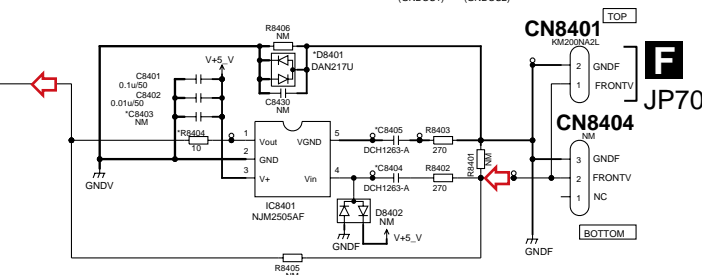
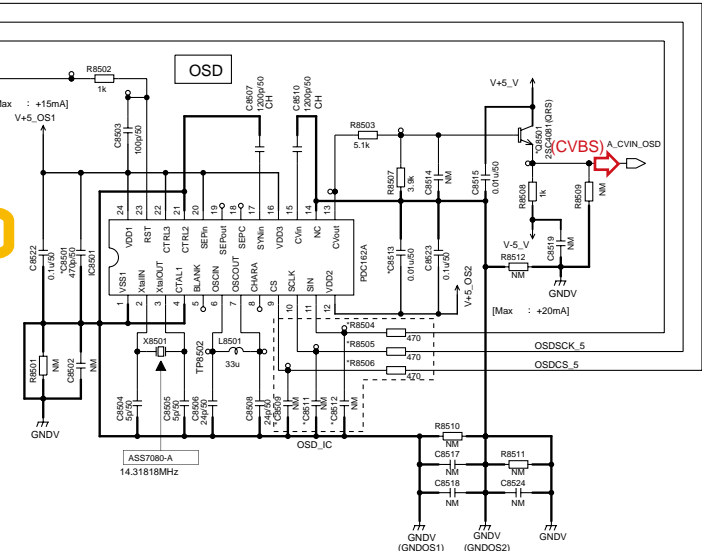
unless noted, (V) unless otherwise noted.

er 10u and 2125 : CKSOYB

COMPONENT INPUT TERMINAL	NJW1327FU1 CORRESPOND PIN	COMPONENT OUTPUT TERMINAL	NJW1327FU1 CORRESPOND PIN
IN1	YIN1 (15) PBIN1(30) PRIN1(44)	MONITOR OUT	YOUT2 (76) PROUT2(81) PROUT2(52)
IN2	YIN4 (18) PBIN3(32) PRIN3(42)	ZONE2 OUT	YOUT1 (71) PROUT1(62) PROUT1(53)
IN3	YIN4 (18) PBIN4(33) PRIN4(41)	for CDET	YOUT3 (69) YOUT3-YOUT4
from D-MAIN	YIN6 (22) PBIN6(35) PRIN6(39)	to D-MAIN	YOUT4 (68) PROUT4(69) PROUT4(49)



The Δ mark found on some component parts should be replaced with same parts (safety regulation authorized) of identical designation.



(CVBS) \rightarrow Video Signal Route
 (CB) \rightarrow Video Signal Route
 (CR) \rightarrow Video Signal Route
 (Y) \rightarrow Video Signal Route
 \rightarrow Video Signal Route

H
CN3601

F
CN8401
CN8404
JP7001

H
CN8303

U 2/3
CN7554

10.25 COMPONENT ASSY (2/3)

SOUND_1

	awx1105	awx1287	awx1316	awx1106	awx1288	awx1339	awx1107	awx1108	awx1340	awx1623	
C8303	1000p/50	1000p/50	0.01u/50	1000p/50	0.01u/50	0.01u/50	1000p/50	0.01u/50	0.01u/50	0.01u/50	0.01u/50
C8305	DCH1201-A	DCH1201-A	DCH1263-A	DCH1201-A	DCH1263-A	DCH1263-A	DCH1201-A	DCH1263-A	DCH1263-A	DCH1263-A	DCH1263-A
C8306	DCH1201-A	DCH1201-A	DCH1263-A	DCH1201-A	DCH1263-A	DCH1263-A	DCH1201-A	DCH1263-A	DCH1263-A	DCH1263-A	DCH1263-A
C8307	DCH1201-A	DCH1201-A	DCH1263-A	DCH1201-A	DCH1263-A	DCH1263-A	DCH1201-A	DCH1263-A	DCH1263-A	DCH1263-A	DCH1263-A
C8309	1u/25	1u/25	VCG1072-A	DCH1201-A	DCH1263-A	DCH1263-A	DCH1201-A	DCH1263-A	DCH1263-A	VCG1072-A	VCG1072-A
C8313	DCH1201-A	DCH1201-A	DCH1263-A	DCH1201-A	DCH1263-A	DCH1263-A	DCH1201-A	DCH1263-A	DCH1263-A	DCH1263-A	DCH1263-A
C8315	DCH1201-A	DCH1201-A	DCH1263-A	DCH1201-A	DCH1263-A	DCH1263-A	DCH1201-A	DCH1263-A	DCH1263-A	DCH1263-A	DCH1263-A
C8317	1u/25	1u/25	VCG1072-A	DCH1201-A	DCH1263-A	DCH1263-A	DCH1201-A	DCH1263-A	DCH1263-A	VCG1072-A	VCG1072-A
C8319	1000p/50	1000p/50	0.01u/50	1000p/50	0.01u/50	0.01u/50	1000p/50	0.01u/50	0.01u/50	0.01u/50	0.01u/50
C8320	1000p/50	1000p/50	0.01u/50	1000p/50	0.01u/50	0.01u/50	1000p/50	0.01u/50	0.01u/50	0.01u/50	0.01u/50
C8322	1u/25	1u/25	VCG1072-A	DCH1201-A	DCH1263-A	DCH1263-A	DCH1201-A	DCH1263-A	DCH1263-A	VCG1072-A	VCG1072-A
C8324	DCH1201-A	DCH1201-A	DCH1263-A	DCH1201-A	DCH1263-A	DCH1263-A	DCH1201-A	DCH1263-A	DCH1263-A	DCH1263-A	DCH1263-A
C8326	DCH1201-A	DCH1201-A	DCH1263-A	DCH1201-A	DCH1263-A	DCH1263-A	DCH1201-A	DCH1263-A	DCH1263-A	DCH1263-A	DCH1263-A
C8335	10p/50	10p/50	10p/50	10p/50	NM	NM	10p/50	NM	NM	10p/50	10p/50
C8378	NM	470p/50	470p/50	1000p/50	470p/50	470p/50	1000p/50	470p/50	470p/50	470p/50	470p/50
C8382	1u/16	1u/16	1u/16	1u/16	1u/16	NM	1u/16	1u/16	NM	NM	NM
C8607	0.01u/50	NM	NM	0.01u/50	NM	NM	0.01u/50	NM	NM	NM	NM
C8608	470p/50	NM	NM	470p/50	NM	NM	470p/50	NM	NM	NM	NM
C8618	NM	NM	NM	NM	330p/50	330p/50	NM	330p/50	330p/50	330p/50	330p/50
C8619	10p/50	NM	NM	10p/50	NM	NM	10p/50	NM	NM	NM	NM
R8350	0	0	3.3	0	3.3	3.3	0	3.3	3.3	3.3	3.3
R8351	0	0	2.2	0	2.2	2.2	0	2.2	2.2	2.2	2.2
R8352	0	0	2.2	0	2.2	2.2	0	2.2	2.2	2.2	2.2
R8358	0	0	2.2	0	2.2	2.2	0	2.2	2.2	2.2	2.2
R8361	10	10	12	10	12	12	10	12	12	12	12
R8362	10	10	12	10	12	12	10	12	12	12	12
R8363	10	10	12	10	12	12	10	12	12	12	12
R8364	10	10	12	10	12	12	10	12	12	12	12
R8382	NM	NM	NM	NM	NM	NM	NM	NM	NM	NM	NM
R8604	100	100	100	100	120	120	100	120	120	100	100
R8605	100	100	120	100	120	120	100	120	120	120	120
R8606	100	100	120	100	120	120	100	120	120	120	120
R8607	100	100	100	100	120	120	100	120	120	100	100
R8610	NM	0	0	NM	0	0	NM	0	0	0	0
R8618	100	100	120	100	120	120	100	120	120	120	120
R8619	0	0	10	0	10	10	0	10	10	10	10
R8630	NM	0	0	NM	0	0	NM	0	0	0	0
R8631	NM	0	0	NM	0	0	NM	0	0	0	0
R8632	NM	0	0	NM	0	0	NM	0	0	0	0
R8633	NM	0	0	NM	0	0	NM	0	0	0	0
R8634	NM	0	0	NM	0	0	NM	0	0	0	0

G^{2/3} COMPONENT ASSY(2/3) (AWX1623)

A

B

C

D

E

F

awx1623	awx1624	awx1625	awx1626	awx1627	awx1628	awx1629	awx1630	awx1631	awx1672	awx1673
0.01u/50	0.01u/50	0.01u/50	0.01u/50	0.01u/50	0.01u/50	0.01u/50	0.01u/50	0.01u/50	0.01u/50	0.01u/50
DCH1263-A	DCH1263-A	DCH1263-A	DCH1263-A	DCH1263-A	DCH1263-A	DCH1263-A	DCH1263-A	DCH1263-A	DCH1263-A	DCH1263-A
DCH1263-A	DCH1263-A	DCH1263-A	DCH1263-A	DCH1263-A	DCH1263-A	DCH1263-A	DCH1263-A	DCH1263-A	DCH1263-A	DCH1263-A
DCH1263-A	DCH1263-A	DCH1263-A	DCH1263-A	DCH1263-A	DCH1263-A	DCH1263-A	DCH1263-A	DCH1263-A	DCH1263-A	DCH1263-A
VCG1072-A	VCG1072-A	VCG1072-A	DCH1263-A	DCH1263-A	DCH1263-A	DCH1263-A	DCH1263-A	DCH1263-A	VCG1072-A	VCG1072-A
DCH1263-A	DCH1263-A	DCH1263-A	DCH1263-A	DCH1263-A	DCH1263-A	DCH1263-A	DCH1263-A	DCH1263-A	DCH1263-A	DCH1263-A
DCH1263-A	DCH1263-A	DCH1263-A	DCH1263-A	DCH1263-A	DCH1263-A	DCH1263-A	DCH1263-A	DCH1263-A	DCH1263-A	DCH1263-A
VCG1072-A	VCG1072-A	VCG1072-A	DCH1263-A	DCH1263-A	DCH1263-A	DCH1263-A	DCH1263-A	DCH1263-A	VCG1072-A	VCG1072-A
0.01u/50	0.01u/50	0.01u/50	0.01u/50	0.01u/50	0.01u/50	0.01u/50	0.01u/50	0.01u/50	0.01u/50	0.01u/50
0.01u/50	0.01u/50	0.01u/50	0.01u/50	0.01u/50	0.01u/50	0.01u/50	0.01u/50	0.01u/50	0.01u/50	0.01u/50
VCG1072-A	VCG1072-A	VCG1072-A	DCH1263-A	DCH1263-A	DCH1263-A	DCH1263-A	DCH1263-A	DCH1263-A	VCG1072-A	VCG1072-A
DCH1263-A	DCH1263-A	DCH1263-A	DCH1263-A	DCH1263-A	DCH1263-A	DCH1263-A	DCH1263-A	DCH1263-A	DCH1263-A	DCH1263-A
DCH1263-A	DCH1263-A	DCH1263-A	DCH1263-A	DCH1263-A	DCH1263-A	DCH1263-A	DCH1263-A	DCH1263-A	DCH1263-A	DCH1263-A
10p/50	10p/50	10p/50	NM	NM	NM	NM	NM	NM	10p/50	10p/50
470p/50	470p/50	470p/50	470p/50	470p/50	470p/50	470p/50	470p/50	470p/50	470p/50	470p/50
NM	NM	NM	NM	NM	NM	NM	NM	NM	NM	NM
NM	NM	NM	NM	NM	NM	NM	NM	NM	NM	NM
NM	NM	NM	NM	NM	NM	NM	NM	NM	NM	NM
330p/50	330p/50	330p/50	330p/50	330p/50	330p/50	330p/50	330p/50	330p/50	330p/50	330p/50
NM	NM	NM	NM	NM	NM	NM	NM	NM	NM	NM
3.3	3.3	3.3	3.3	3.3	3.3	3.3	3.3	3.3	3.3	3.3
2.2	2.2	2.2	2.2	2.2	2.2	2.2	2.2	2.2	2.2	2.2
2.2	2.2	2.2	2.2	2.2	2.2	2.2	2.2	2.2	2.2	2.2
2.2	2.2	2.2	2.2	2.2	2.2	2.2	2.2	2.2	2.2	2.2
12	12	12	12	12	12	12	12	12	12	12
12	12	12	12	12	12	12	12	12	12	12
12	12	12	12	12	12	12	12	12	12	12
12	12	12	12	12	12	12	12	12	12	12
NM	1M	1M	NM	1M	1M	1M	1M	1M	1M	1M
100	100	100	120	120	120	120	120	120	100	100
120	120	120	120	120	120	120	120	120	120	120
120	120	120	120	120	120	120	120	120	120	120
100	100	100	120	120	120	120	120	120	100	100
0	0	0	0	0	0	0	0	0	0	0
120	120	120	120	120	120	120	120	120	120	120
10	10	10	10	10	10	10	10	10	10	10
0	0	0	0	0	0	0	0	0	0	0
0	0	0	0	0	0	0	0	0	0	0
0	0	0	0	0	0	0	0	0	0	0
0	0	0	0	0	0	0	0	0	0	0
0	0	0	0	0	0	0	0	0	0	0

10.27 COMPOSITE ASSY

A

B

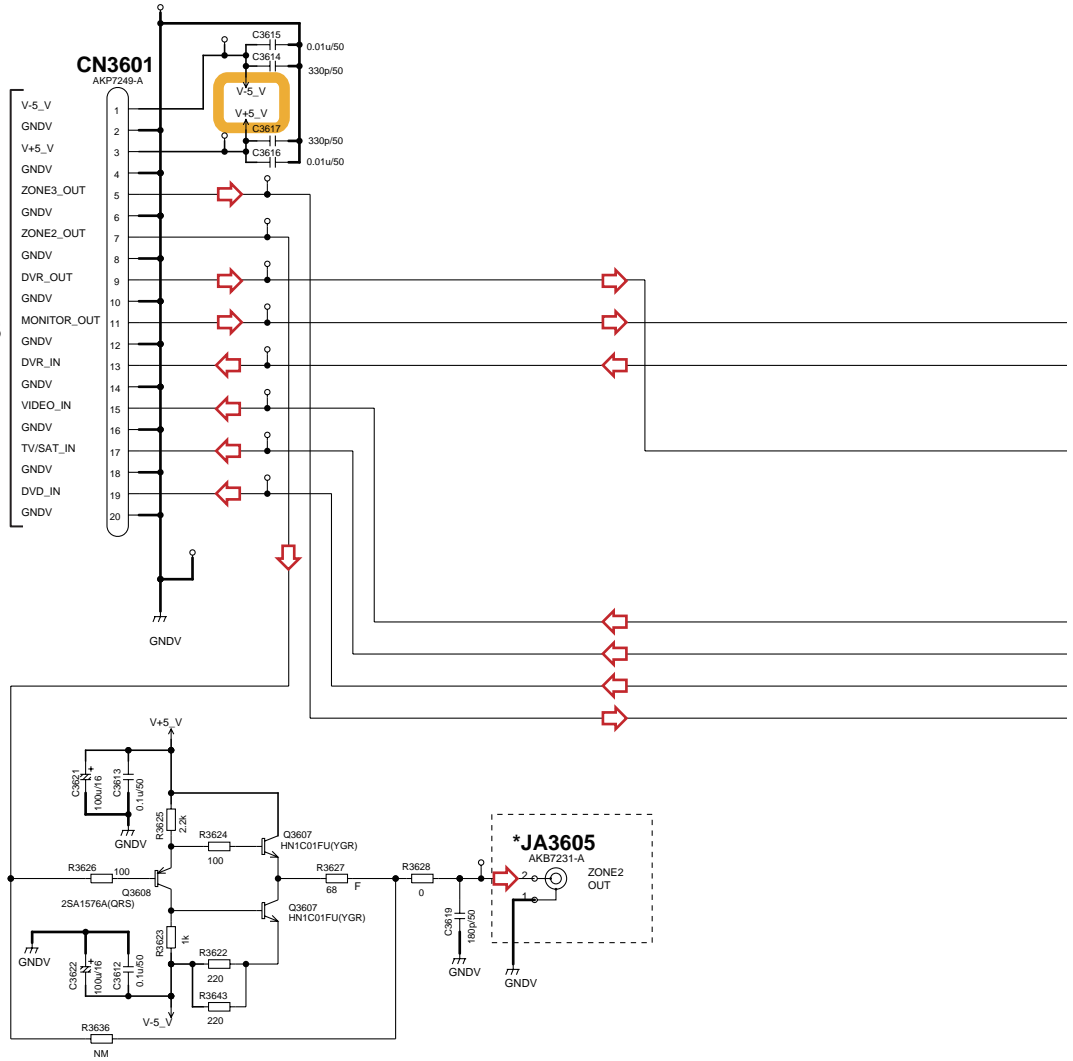
C

D

E

F

G 1/3
CN8303



	AWX1357
JA3605	AKB7231-A

JA3604	NM	AWX1357
--------	----	---------

	AWX1357
JA3601	AKB7229-A
JA3602	AKB7229-A
JA3603	AKB7229-A

		AWX1357
C3608	NM	
C3610	NM	
C3618	NM	
R3615	NM	
R3616	NM	
R3617	NM	
R3618	NM	
R3619	NM	
R3620	NM	
R3621	NM	
R3644	NM	
Q3605	NM	
Q3606	NM	

⇒: Video Signal Route

NOTE
 1. RESISTORS
 Unit: k-k Ω, M-M Ω or Ω unless otherwise noted.
 Rated Power: 1/10w unless otherwise noted.
 Tolerance: (±)5% unless otherwise noted.
 2. CAPACITORS
 Unit: p-pF or u-uF unless otherwise noted.
 Ratings: Capacity(F)/Voltage(V) unless otherwise noted.
 CH : CCSRCH
 NO MARKED : CKSRBY
 3. NM: No Mount



**COMPOSITE ASSY
(AWX1357)**

A

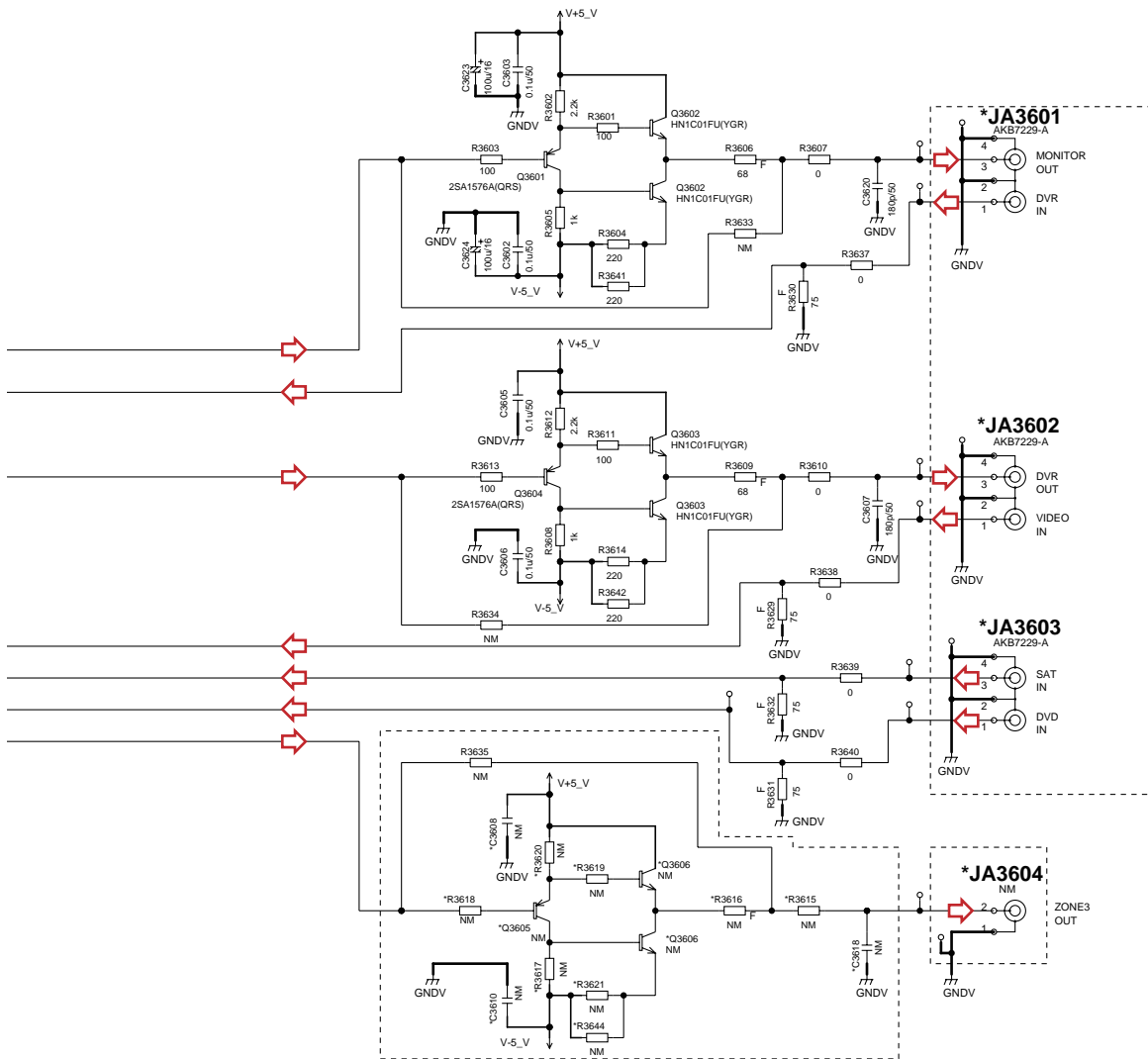
B

C

D

E

F



AWX1357
NM
AWX1357
NM
NM
NM
NM
NM
NM
NM
NM
NM
NM
NM
NM
NM
NM

10.28 MIC HP ASSY

A

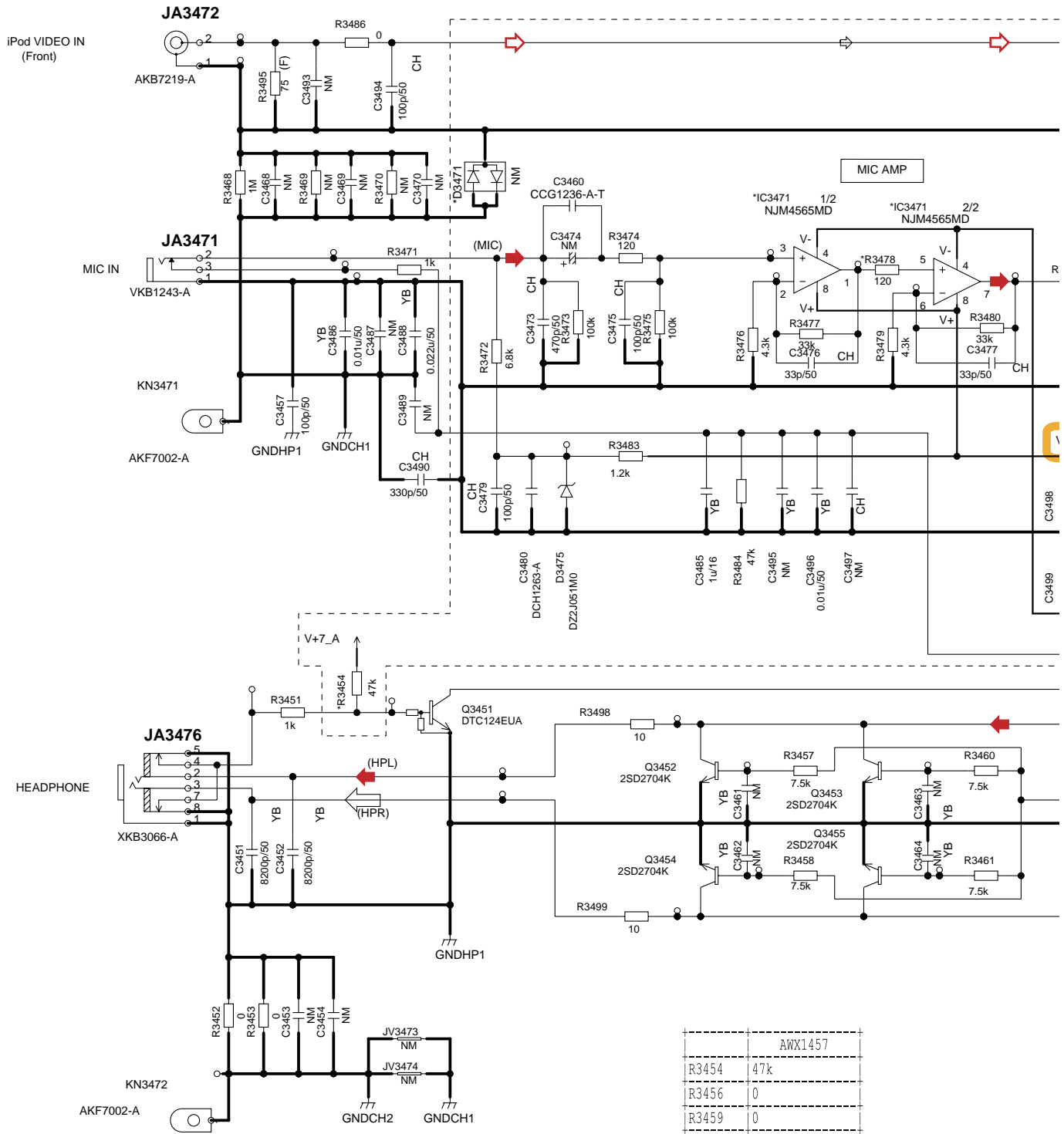
B

C

D

E

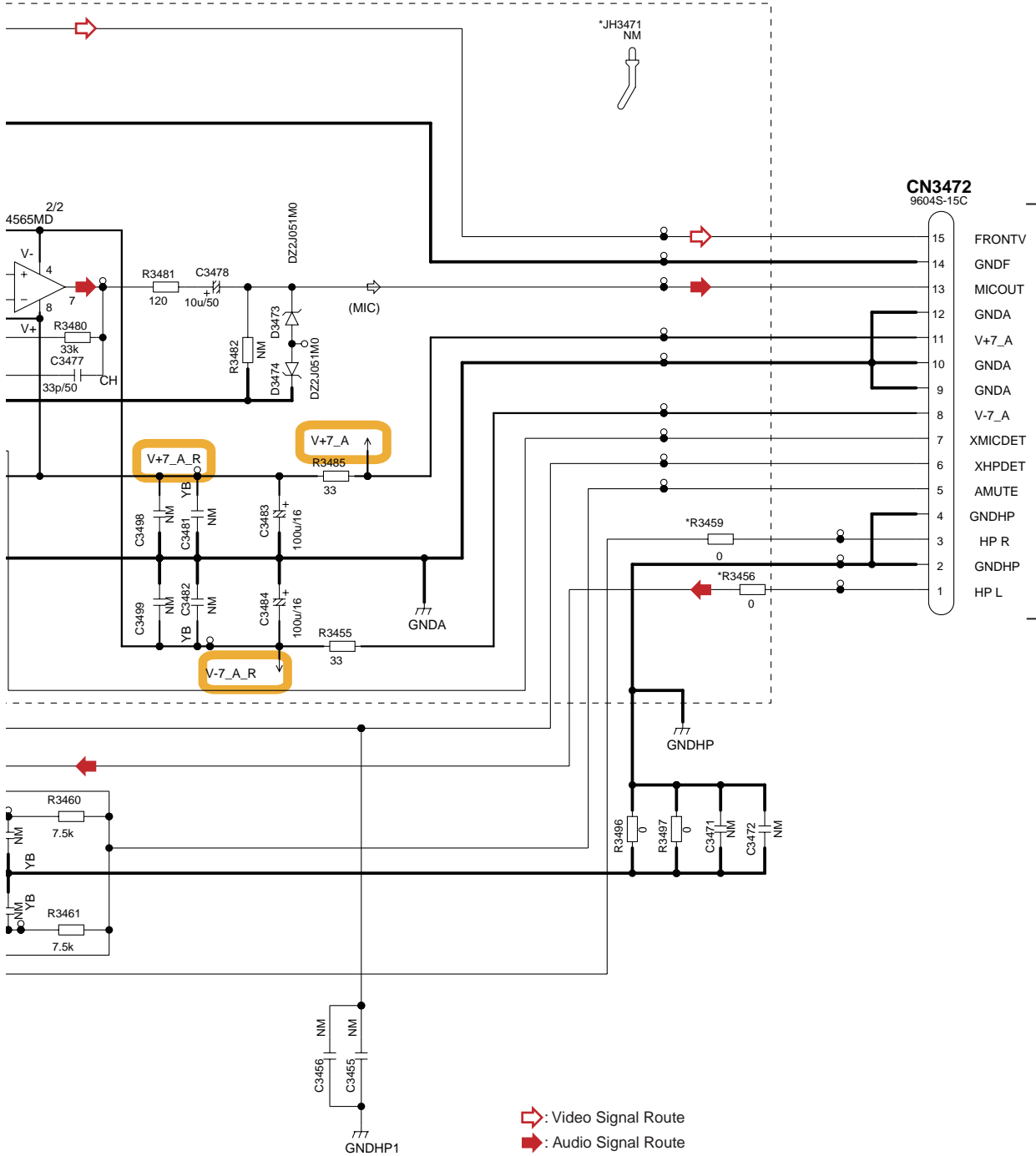
F



	AWX1457
R3454	47k
R3456	0
R3459	0
R3478	120
IC3471	NJM4565MD
D3471	NM
JH3471	NM

MIC HP ASSY (AWX1457)

A
B
C
D
E
F



: Video Signal Route
 : Audio Signal Route

NOTE

1.RESISTORS
 Unit: k-kΩ, M-MΩ or Ω unless otherwise noted.
 Rated power: 1/10W unless otherwise noted.
 Tolerance: (J) ± 5% unless otherwise noted.

2.CAPACITORS
 Unit: p-pF, or μ F unless otherwise noted.
 Ratings: Capacity(μ F)/Voltage(V) unless otherwise noted.



10.29 DISPLAY ASSY (1/2)

1 2 3 4

A

B

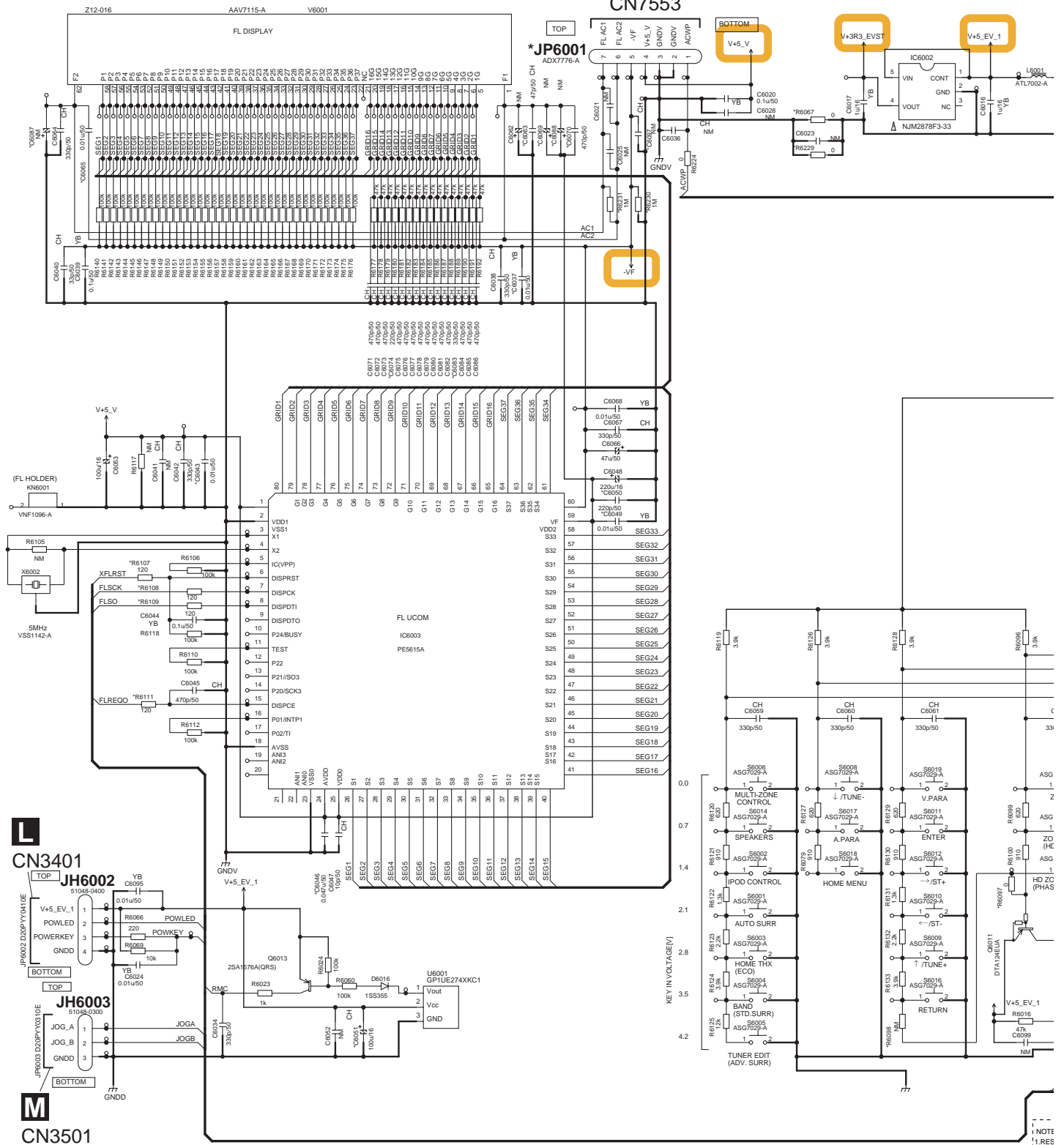
C

D

E

F

U 2/3
CN7553



The Δ mark found on some component parts should be replaced with same parts (safety regulation authorized) of identical designation.

- NOTE
- 1.RES
- Unit :
- Flared
- Toler
- 2.CAF
- Unit :
- Rating
- YB.C
- 3.NM

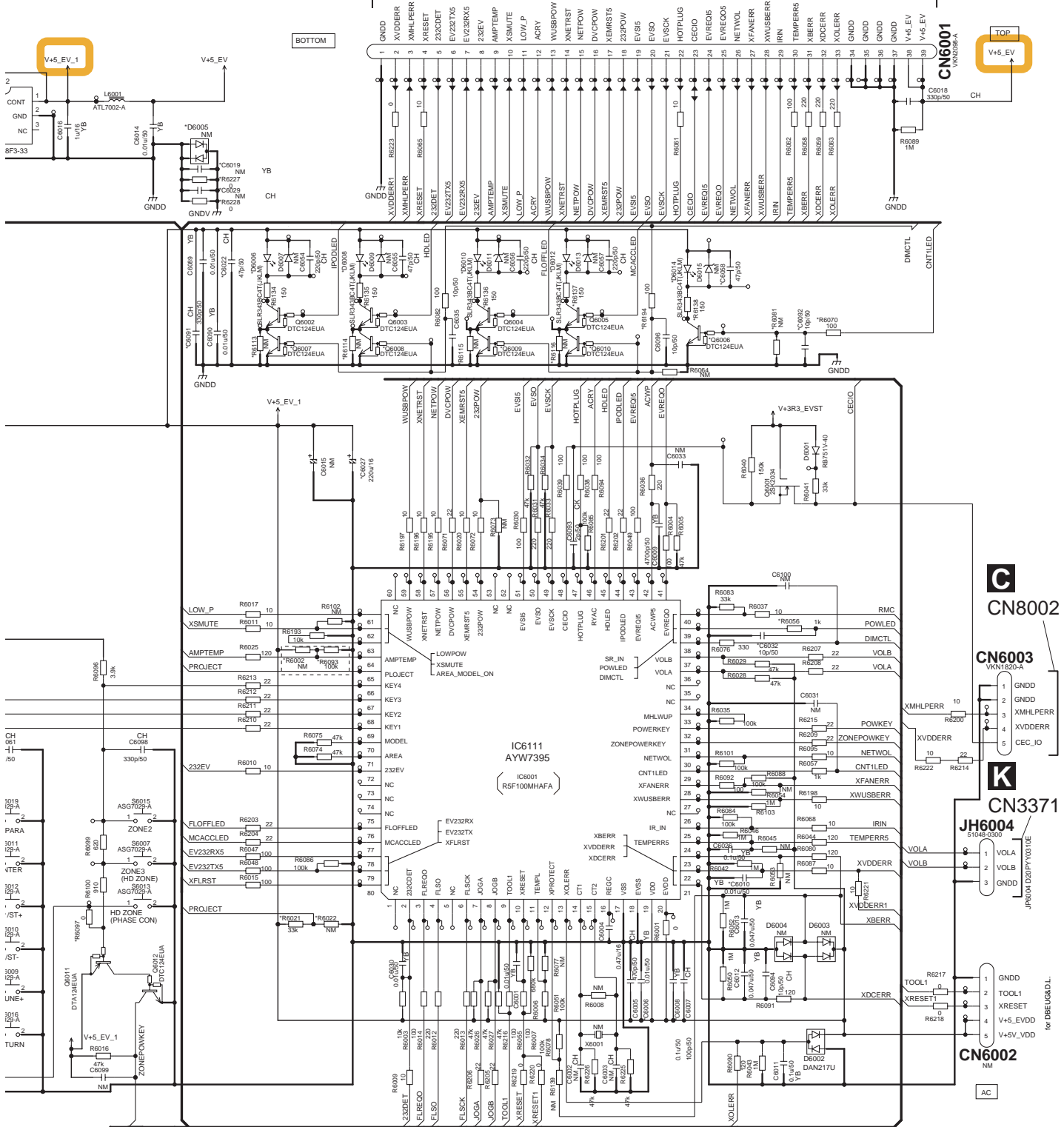
J 1/2

1 2 3 4

J 1/2 DISPLAY ASSY(1/2)

(SC-75 : AWX1465)
(SC-1528-K, SC-1523-K : AWX1505)

U 3/3 CN7903



NOTE
 1. RESISTORS
 Unit: k-k Ω, M-M Ω or Ω unless otherwise noted.
 Rated power: 1/10W unless otherwise noted.
 Tolerance: ± 5% unless otherwise noted.
 2. CAPACITORS
 Unit: p-pF or μF unless otherwise noted.
 Ratings: Capacity (μ, F) (Voltage)(V) unless otherwise noted.
 YB: CKSRBY CH: CCSRCH CK: CKSRCH AT: CEAT JQ: CEAQ
 3. NM: No mount

10.30 DISPLAY ASSY (2/2)

A

B

C

D

E

F

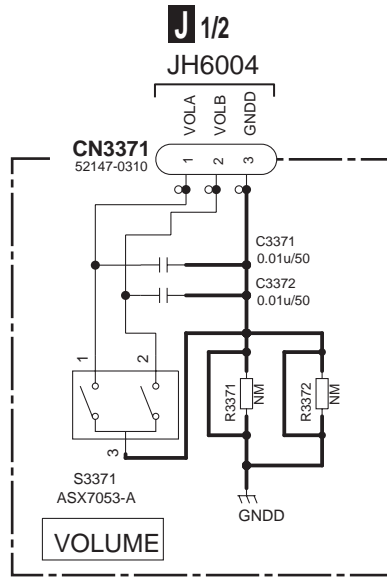
	AWX1391	AWX1619	AWX1465	AWX1505	AWX1613	AWX1454
C6006	0.1u/50	0.01u/50	0.1u/50	0.1u/50	0.01u/50	0.1u/50
C6008	0.01u/50	0.1u/50	0.01u/50	0.01u/50	0.1u/50	0.01u/50
C6010	0.1u/50	0.01u/50	0.1u/50	0.1u/50	0.01u/50	0.1u/50
C6022	0.1u/50	47p/50	0.1u/50	0.1u/50	47p/50	0.1u/50
C6027	ACH7268-A	220u/16	220u/16	220u/16	220u/16	220u/16
C6032	10p/50	10p/50	10p/50	NM	10p/50	10p/50
C6058	47p/50	47p/50	47p/50	NM	47p/50	47p/50
C6091	0.01u/50	330p/50	0.01u/50	0.01u/50	330p/50	0.01u/50
C6092	10p/50	10p/50	10p/50	NM	10p/50	10p/50
R6002	NM	NM	NM	NM	NM	NM
R6021	33k	33k	33k	33k	33k	33k
R6022	NM	NM	NM	NM	NM	22k
R6056	1k	1k	1k	NM	1k	1k
R6064	NM	NM	NM	0	NM	NM
R6070	100	100	100	NM	100	100
R6081	NM	NM	NM	0	NM	NM
R6093	100k	100k	100k	100k	100k	100k
R6097	0	0	0	0	0	0
R6098	NM	NM	NM	NM	NM	NM
R6113	NM	NM	NM	0	NM	NM
R6114	NM	NM	NM	0	NM	NM
R6115	NM	NM	NM	0	NM	NM
R6116	NM	NM	NM	0	NM	NM
R6134	150	150	150	680	150	150
R6135	150	150	150	680	150	150
R6136	150	150	150	680	150	150
R6137	150	150	150	680	150	150
R6138	150	150	150	NM	150	150
R6194	100	100	100	NM	100	100
R6221	NM	NM	10	10	10	NM
D6006	SLR343BC4T (JKLM)	SLR343BC4T (JKLM)	SLR343BC4T (JKLM)	SLR-343VC (NPQ)	SLR343BC4T (JKLM)	SLR343BC4T (JKLM)
D6008	SLR343BC4T (JKLM)	SLR343BC4T (JKLM)	SLR343BC4T (JKLM)	SLR-343VC (NPQ)	SLR343BC4T (JKLM)	SLR343BC4T (JKLM)
D6010	SLR343BC4T (JKLM)	SLR343BC4T (JKLM)	SLR343BC4T (JKLM)	SLR-343VC (NPQ)	SLR343BC4T (JKLM)	SLR343BC4T (JKLM)
D6012	SLR343BC4T (JKLM)	SLR343BC4T (JKLM)	SLR343BC4T (JKLM)	SLR-343VC (NPQ)	SLR343BC4T (JKLM)	SLR343BC4T (JKLM)
D6014	SLR343BC4T (JKLM)	SLR343BC4T (JKLM)	SLR343BC4T (JKLM)	NM	SLR343BC4T (JKLM)	SLR343BC4T (JKLM)
Q6006	DTC124EUA	DTC124EUA	DTC124EUA	NM	DTC124EUA	DTC124EUA
Q6007	DTC124EUA	DTC124EUA	DTC124EUA	NM	DTC124EUA	DTC124EUA
Q6008	DTC124EUA	DTC124EUA	DTC124EUA	NM	DTC124EUA	DTC124EUA
Q6009	DTC124EUA	DTC124EUA	DTC124EUA	NM	DTC124EUA	DTC124EUA
Q6010	DTC124EUA	DTC124EUA	DTC124EUA	NM	DTC124EUA	DTC124EUA
	AWX1391	AWX1619	AWX1465	AWX1505	AWX1613	AWX1454
C6019	0.1u/50	NM	0.1u/50	0.1u/50	NM	0.1u/50
C6029	100p/50	NM	100p/50	100p/50	NM	100p/50
C6037	0.01u/50	0.01u/50	0.1u/50	0.1u/50	0.01u/50	0.1u/50
C6043	0.1u/50	0.01u/50	0.1u/50	0.1u/50	0.1u/50	0.1u/50
C6046	0.047u/50	0.047u/50	NM	NM	0.047u/50	NM
C6049	0.01u/50	0.01u/50	1u/16	1u/16	0.01u/50	1u/16
C6050	NM	220p/50	NM	NM	NM	NM
C6051	ACH7272-A	100u/16	100u/16	100u/16	100u/16	100u/16
C6063	470p/50	47p/50	470p/50	470p/50	47p/50	470p/50
C6065	0.1u/50	0.01u/50	0.1u/50	0.1u/50	0.01u/50	0.1u/50
C6069	47u/50	NM	47u/50	47u/50	47u/50	47u/50
C6070	NM	470p/50	NM	NM	NM	NM
C6074	470p/50	220p/50	470p/50	470p/50	470p/50	470p/50
C6083	470p/50	330p/50	470p/50	470p/50	470p/50	470p/50
C6087	100u/35	NM	100u/35	100u/35	100u/35	100u/35
C6088	47u/50	NM	47u/50	47u/50	47u/50	47u/50
C6097	330p/50	NM	330p/50	330p/50	330p/50	330p/50
R6067	NM	0	NM	NM	0	NM
R6107	100	120	100	100	120	100
R6108	100	120	100	100	120	100
R6109	100	120	100	100	120	100
R6111	100	120	100	100	120	100
R6227	NM	0	NM	NM	0	NM
R6228	NM	0	NM	NM	0	NM
R6229	NM	0	NM	NM	0	NM
R6230	NM	1M	NM	NM	NM	NM
R6231	NM	1M	NM	NM	NM	NM
D6005	DAN217U	NM	DAN217U	DAN217U	NM	DAN217U
JP6001	ADX7753-A	ADX7753-A	ADX7776-A	ADX7776-A	ADX7776-A	ADX7776-A

J_{2/2} **DISPLAY ASSY(2/2)**
(SC-75 : AWX1465)
(SC-1528-K, SC-1523-K : AWX1505)

AWX1454	AWX1506	AWX1455	AWX1507	AWX1671	AWX1680	AWX1682
0.1u/50	0.1u/50	0.1u/50	0.1u/50	0.01u/50	0.01u/50	0.01u/50
0.01u/50	0.01u/50	0.01u/50	0.01u/50	0.1u/50	0.1u/50	0.1u/50
0.1u/50	0.1u/50	0.1u/50	0.1u/50	0.01u/50	0.01u/50	0.01u/50
0.1u/50	0.1u/50	0.1u/50	0.1u/50	47p/50	47p/50	47p/50
220u/16	220u/16	220u/16	220u/16	220u/16	220u/16	220u/16
10p/50	NM	10p/50	NM	NM	NM	10p/50
47p/50	NM	47p/50	NM	NM	NM	47p/50
0.01u/50	0.01u/50	0.01u/50	0.01u/50	330p/50	330p/50	330p/50
10p/50	NM	10p/50	NM	NM	NM	10p/50
NM	NM	100k	100k	NM	NM	NM
33k	33k	33k	33k	33k	33k	33k
22k	22k	22k	22k	22k	22k	NM
1k	NM	1k	NM	NM	NM	1k
NM	0	NM	0	0	0	NM
100	NM	100	NM	NM	NM	100
NM	0	NM	0	0	0	NM
100k	100k	NM	NM	100k	100k	100k
0	0	NM	NM	0	0	0
NM	NM	12k	12k	NM	NM	NM
NM	0	NM	0	0	0	NM
NM	0	NM	0	0	0	NM
NM	0	NM	0	0	0	NM
150	680	150	680	680	680	150
150	680	150	680	680	680	150
150	680	150	680	680	680	150
150	680	150	680	680	680	150
150	NM	150	NM	NM	NM	150
100	NM	100	NM	NM	NM	100
NM	NM	NM	NM	NM	NM	10
) SLR343BC4T (JKLM)	SLR-343VC (NPQ)	SLR343BC4T (JKLM)	SLR-343VC (NPQ)	SLR-343VC (NPQ)	SLR-343VC (NPQ)	SLR343BC4T (JKLM)
) SLR343BC4T (JKLM)	SLR-343VC (NPQ)	SLR343BC4T (JKLM)	SLR-343VC (NPQ)	SLR-343VC (NPQ)	SLR-343VC (NPQ)	SLR343BC4T (JKLM)
) SLR343BC4T (JKLM)	SLR-343VC (NPQ)	SLR343BC4T (JKLM)	SLR-343VC (NPQ)	SLR-343VC (NPQ)	SLR-343VC (NPQ)	SLR343BC4T (JKLM)
) SLR343BC4T (JKLM)	SLR-343VC (NPQ)	SLR343BC4T (JKLM)	SLR-343VC (NPQ)	SLR-343VC (NPQ)	SLR-343VC (NPQ)	SLR343BC4T (JKLM)
) SLR343BC4T (JKLM)	NM	SLR343BC4T (JKLM)	NM	NM	NM	SLR343BC4T (JKLM)
DTC124EUA	NM	DTC124EUA	NM	NM	NM	DTC124EUA
DTC124EUA	NM	DTC124EUA	NM	NM	NM	DTC124EUA
DTC124EUA	NM	DTC124EUA	NM	NM	NM	DTC124EUA
DTC124EUA	NM	DTC124EUA	NM	NM	NM	DTC124EUA
DTC124EUA	NM	DTC124EUA	NM	NM	NM	DTC124EUA
AWX1454	AWX1506	AWX1455	AWX1507	AWX1671	AWX1680	AWX1682
0.1u/50	0.1u/50	0.1u/50	0.1u/50	0.1u/50	NM	NM
100p/50	100p/50	100p/50	100p/50	100p/50	NM	NM
0.1u/50	0.1u/50	0.1u/50	0.1u/50	0.01u/50	0.01u/50	0.01u/50
0.1u/50	0.1u/50	0.1u/50	0.1u/50	0.1u/50	0.1u/50	0.01u/50
NM	NM	NM	NM	0.047u/50	0.047u/50	0.047u/50
1u/16	1u/16	1u/16	1u/16	0.01u/50	0.01u/50	0.01u/50
NM	NM	NM	NM	NM	NM	220p/50
100u/16	100u/16	100u/16	100u/16	100u/16	100u/16	100u/16
470p/50	470p/50	470p/50	470p/50	47p/50	47p/50	47p/50
0.1u/50	0.1u/50	0.1u/50	0.1u/50	0.01u/50	0.01u/50	0.01u/50
47u/50	47u/50	47u/50	47u/50	47u/50	47u/50	NM
NM	NM	NM	NM	NM	NM	470p/50
470p/50	470p/50	470p/50	470p/50	470p/50	470p/50	220p/50
470p/50	470p/50	470p/50	470p/50	470p/50	470p/50	330p/50
100u/35	100u/35	100u/35	100u/35	100u/35	100u/35	NM
47u/50	47u/50	47u/50	47u/50	47u/50	47u/50	NM
330p/50	330p/50	330p/50	330p/50	330p/50	330p/50	NM
NM	NM	NM	NM	NM	0	0
100	100	100	100	120	120	120
100	100	100	100	120	120	120
100	100	100	100	120	120	120
100	100	100	100	120	120	120
100	100	100	100	120	120	120
NM	NM	NM	NM	NM	0	0
NM	NM	NM	NM	NM	0	0
NM	NM	NM	NM	NM	0	0
NM	NM	NM	NM	NM	0	0
NM	NM	NM	NM	NM	NM	1M
NM	NM	NM	NM	NM	NM	1M
DAN217U	DAN217U	DAN217U	DAN217U	DAN217U	NM	NM
ADX7776-A	ADX7776-A	ADX7776-A	ADX7776-A	ADX7776-A	ADX7776-A	ADX7776-A

10.31 VOL ASSY

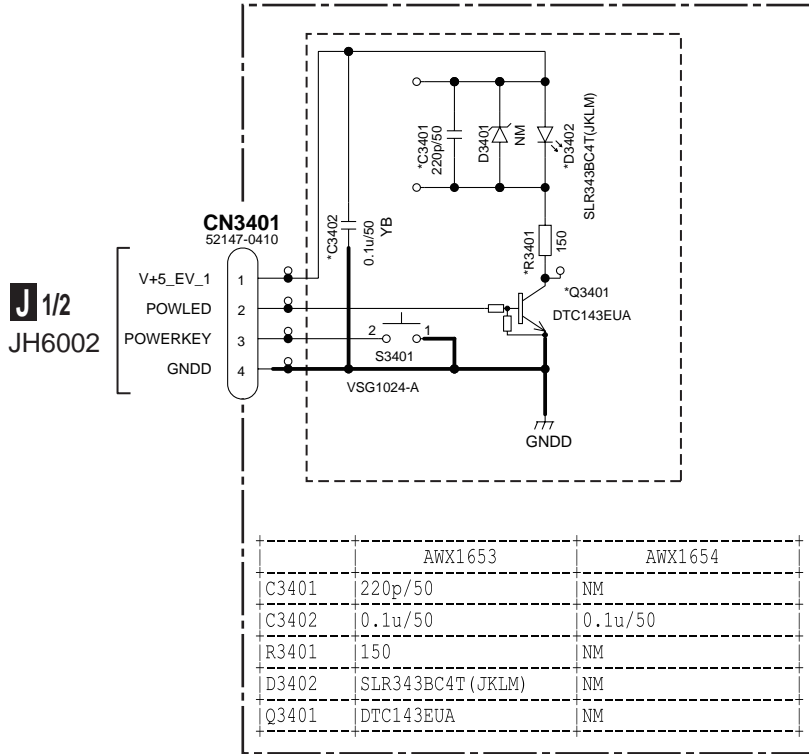
K VOL ASSY
(AWX1392)



NOTE

1. RESISTORS
Unit: k-kΩ, M-MΩ or Ω unless otherwise noted.
Rated Power: 1/16w unless otherwise noted.
Tolerance: (J)5% unless otherwise noted.
2. CAPACITORS
Unit: p-pF or u-uF unless otherwise noted.
Ratings: Capacity(F)/Voltage(V) unless otherwise noted.
3. NM: No Mount

L POWER SW ASSY
 (SC-75 : AWX1653)
 (SC-1528-K, SC-1523-K : AWX1654)



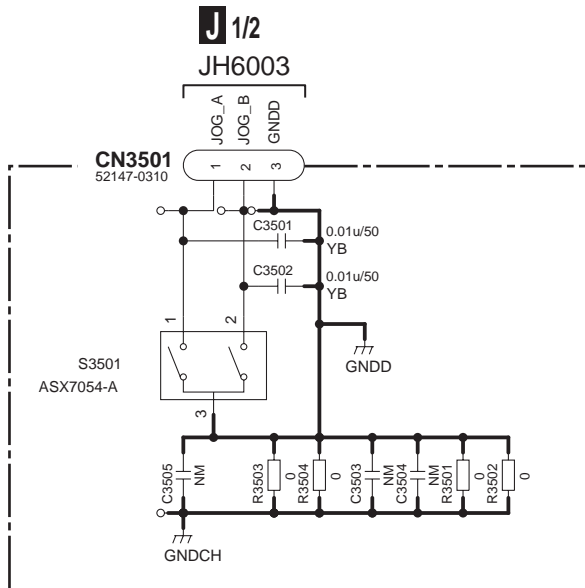
NOTE

1.RESISTORS
 Unit :k-kΩ , M-M Ω or Ω unless otherwise noted.
 Rated:power :1/10W unless otherwise noted.
 Tolerance :(J) ±5% unless otherwise noted.

2.CAPACITORS
 Unit :p-pF or μ F or unless otherwise noted.
 Ratings :Capacity(F)/Voltage(V) unless otherwise noted.
 YB :CKSRYB CH :CCSRCH

3, NM :No mount

M ENCODER ASSY
 (AWX1396)



NOTE

1.RESISTORS
 Unit :k-kΩ , M-M Ω or Ω unless otherwise noted.
 Rated:power :1/10W unless otherwise noted.
 Tolerance :(J) ±5% unless otherwise noted.

2.CAPACITORS
 Unit :p-pF or μ F or unless otherwise noted.
 Ratings :Capacity(μ F)/Voltage(V) unless otherwise noted.
 YB :CKSRYB

3, NM :No mount

10.33 IR BUFFER_S ASSY (1/2)

1

2

3

4

A

	AWX1542	AWX1545	AWX1543	AWX1546	AWX1679
CN6801	AKP7251-A	NM	AKP7251-A	NM	NM
CN6804	NM	AKP7249-B	NM	AKP7249-B	NM

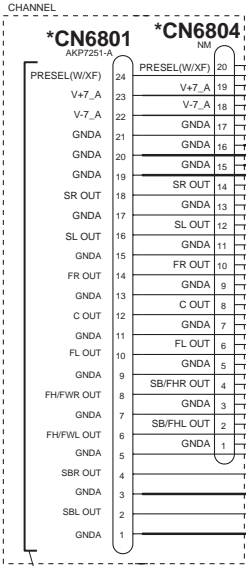
B

C

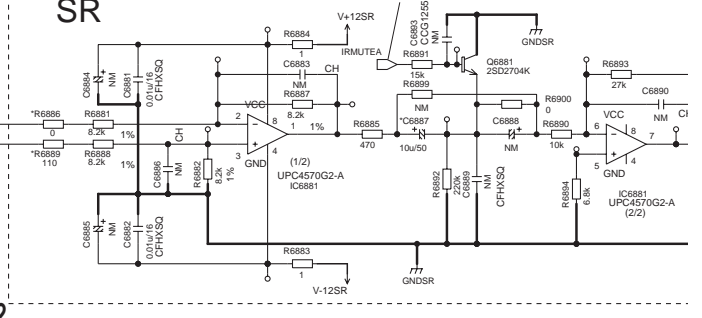
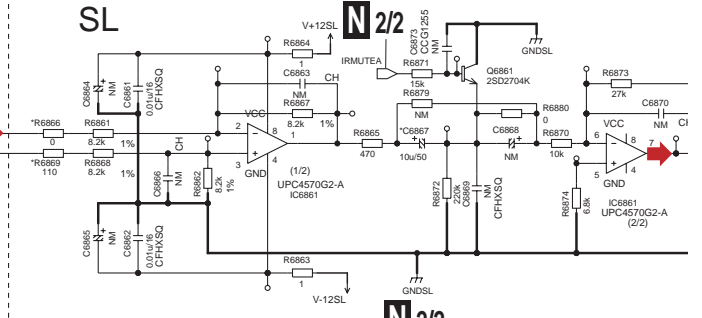
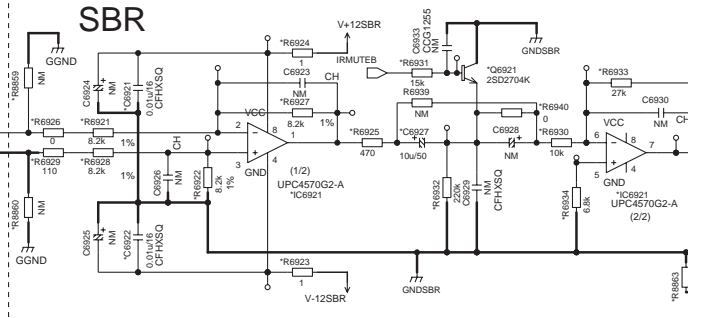
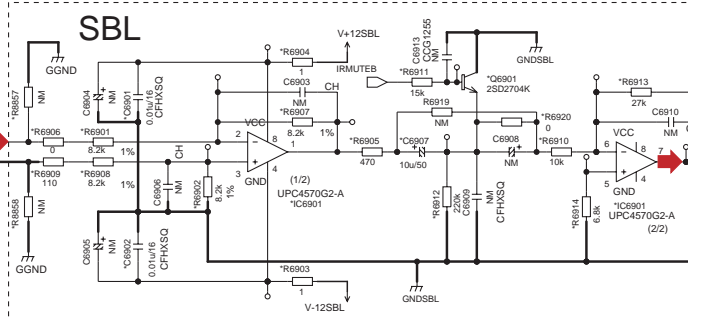
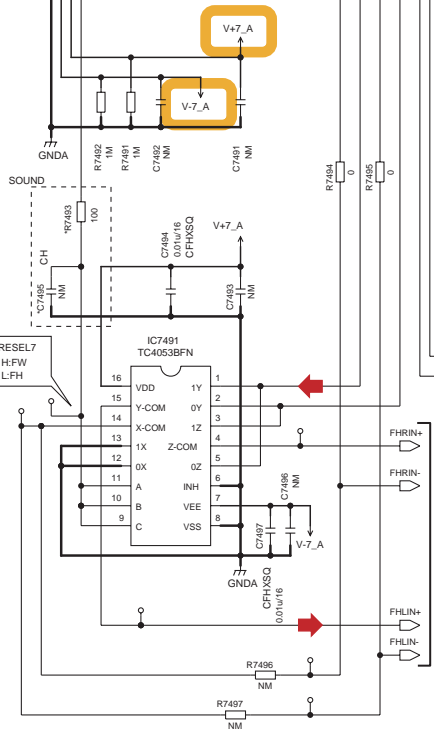
D

E

F



AA CN6951



	AWX1542	AWX1545	AWX1543	AWX1546	AWX1679
C6867	22u/50	22u/50	10u/50	22u/50	10u/50
C6874	47u/25	47u/25	10u/50	47u/25	10u/50
C6887	22u/50	22u/50	10u/50	22u/50	10u/50
C6894	47u/25	47u/25	10u/50	47u/25	10u/50
R6866	0	22	0	0	0
R6869	110	100	110	110	110
R6877	12	12	10	12	10
R6886	0	22	0	0	0
R6889	110	100	110	110	110
R6897	12	12	10	12	10

	AWX1542	AWX1545	AWX1543	AWX1546	AWX1679
C7495	10p/50	10p/50	NM	10p/50	NM
R7493	10	10	100	10	100



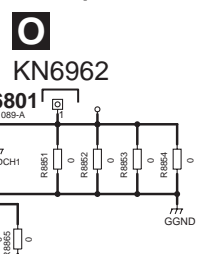
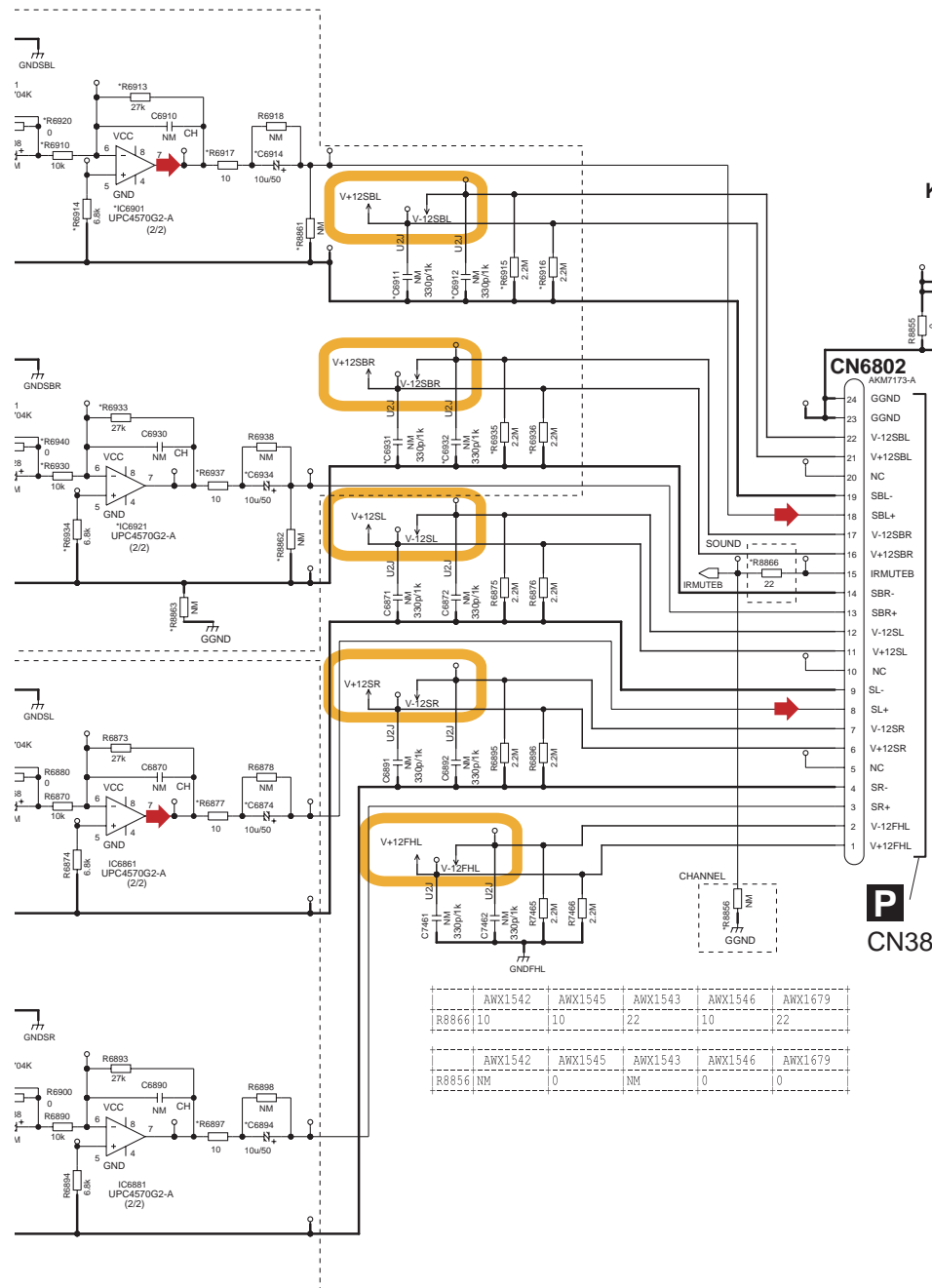
1

2

3

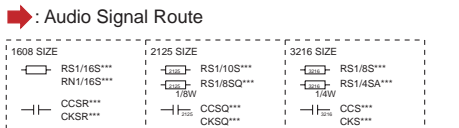
4

N^{1/2} IR BUFFER S ASSY(1/2) (AWX1542)



	AWX1542	AWX1545	AWX1543	AWX1546	AWX1679
C6901	0.01u/16	NM	0.01u/16	NM	NM
C6902	0.01u/16	NM	0.01u/16	NM	NM
C6907	22u/50	NM	10u/50	NM	NM
C6911	NM	NM	NM	NM	NM
C6912	NM	NM	NM	NM	NM
C6914	47u/25	NM	10u/50	NM	NM
C6921	0.01u/16	NM	0.01u/16	NM	NM
C6922	0.01u/16	NM	0.01u/16	NM	NM
C6927	22u/50	NM	10u/50	NM	NM
C6931	NM	NM	NM	NM	NM
C6932	NM	NM	NM	NM	NM
C6934	47u/25	NM	10u/50	NM	NM
R6901	8.2k	NM	8.2k	NM	NM
R6902	8.2k	NM	8.2k	NM	NM
R6903	1	NM	1	NM	NM
R6904	1	NM	1	NM	NM
R6905	470	NM	470	NM	NM
R6906	0	NM	0	NM	NM
R6907	8.2k	NM	8.2k	NM	NM
R6908	8.2k	NM	8.2k	NM	NM
R6909	110	NM	110	NM	NM
R6910	10k	NM	10k	NM	NM
R6911	15k	NM	15k	NM	NM
R6912	220k	NM	220k	NM	NM
R6913	27k	NM	27k	NM	NM
R6914	6.8k	NM	6.8k	NM	NM
R6915	2.2M	0	2.2M	0	0
R6916	2.2M	0	2.2M	0	0
R6917	12	NM	10	NM	NM
R6920	0	NM	0	NM	NM
R6921	8.2k	NM	8.2k	NM	NM
R6922	8.2k	NM	8.2k	NM	NM
R6923	1	NM	1	NM	NM
R6924	1	NM	1	NM	NM
R6925	470	NM	470	NM	NM
R6926	0	NM	0	NM	NM
R6927	8.2k	NM	8.2k	NM	NM
R6928	8.2k	NM	8.2k	NM	NM
R6929	110	NM	110	NM	NM
R6930	10k	NM	10k	NM	NM
R6931	15k	NM	15k	NM	NM
R6932	220k	NM	220k	NM	NM
R6933	27k	NM	27k	NM	NM
R6934	6.8k	NM	6.8k	NM	NM
R6935	2.2M	0	2.2M	0	0
R6936	2.2M	0	2.2M	0	0
R6937	12	NM	10	NM	NM
R6940	0	NM	0	NM	NM
R8857	NM	0	NM	0	0
R8858	NM	0	NM	0	0
R8859	NM	0	NM	0	0
R8860	NM	0	NM	0	0
R8861	NM	0	NM	0	0
R8862	NM	0	NM	0	0
R8863	NM	0	NM	0	0
IC6901	UPC4570G2-A	NM	UPC4570G2-A	NM	NM
Q6901	2SD2704K	NM	2SD2704K	NM	NM
Q6921	2SD2704K	NM	2SD2704K	NM	NM

R8866	10	10	22	10	22
R8856	NM	0	NM	0	0



NOTE
 1. RESISTORS
 Unit: k-Ω, M-Ω, Ω or Ω unless otherwise noted.
 Rated Power: 1/16W unless otherwise noted.
 Tolerances: 0.5% unless otherwise noted.
 2. CAPACITORS
 Unit: p-pF or u-uF unless otherwise noted.
 Ratings: Capacity(F) Voltage(V) unless otherwise noted.
 YB: CKSR/YB, CH: CCSR/CH
 3. NM: No Mount

10.34 IR BUFFER_S ASSY (2/2)

1

2

3

4

A

	AWX1542	AWX1545	AWX1543	AWX1546	AWX1679
C7457	22u/50	22u/50	10u/50	22u/50	10u/50
C7464	47u/25	47u/25	10u/50	47u/25	10u/50
C7477	22u/50	22u/50	10u/50	22u/50	10u/50
C7484	47u/25	47u/25	10u/50	47u/25	10u/50
R7456	0	22	0	0	0
R7459	110	100	110	110	110
R7467	12	12	10	12	10
R7476	0	22	0	0	0
R7479	110	100	110	110	110
R7487	12	12	10	12	10

B

C

	AWX1542	AWX1545	AWX1543	AWX1546	AWX1679
C6807	22u/50	22u/50	10u/50	22u/50	10u/50
C6814	47u/25	47u/25	10u/50	47u/25	10u/50
R6806	0	22	0	0	0
R6809	110	100	110	110	110
R6817	12	12	10	12	10

N 1/2

D

	AWX1542	AWX1545	AWX1543	AWX1546	AWX1679
C6827	22u/50	22u/50	10u/50	22u/50	10u/50
C6834	47u/25	47u/25	10u/50	47u/25	10u/50
C6847	22u/50	22u/50	10u/50	22u/50	10u/50
C6854	47u/25	47u/25	10u/50	47u/25	10u/50
R6826	0	22	0	0	0
R6829	110	100	110	110	110
R6837	12	12	10	12	10
R6846	0	22	0	0	0
R6849	110	100	110	110	110
R6857	12	12	10	12	10

E

F

N 2/2

70

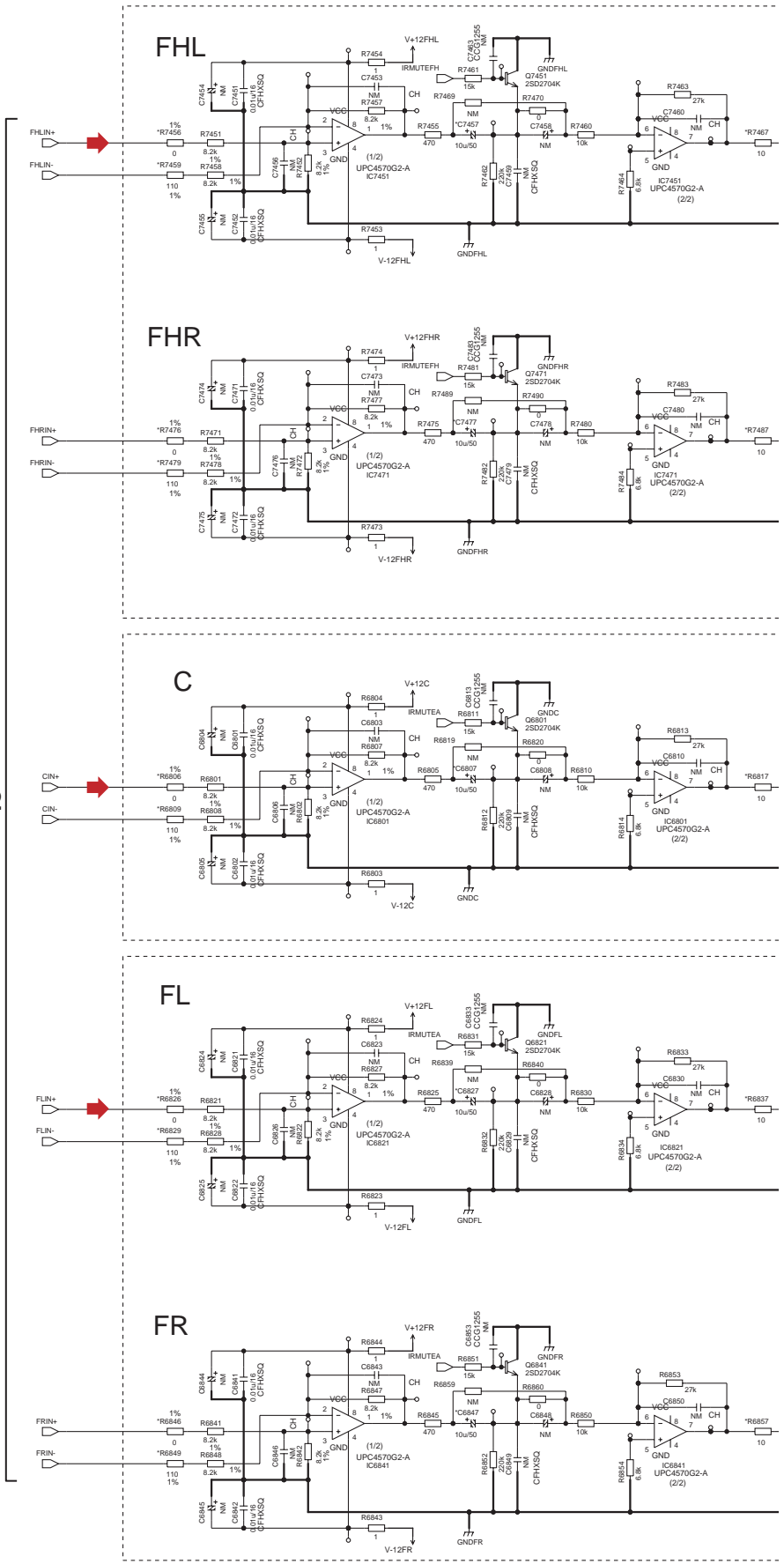
1

2

3

4

SC-75



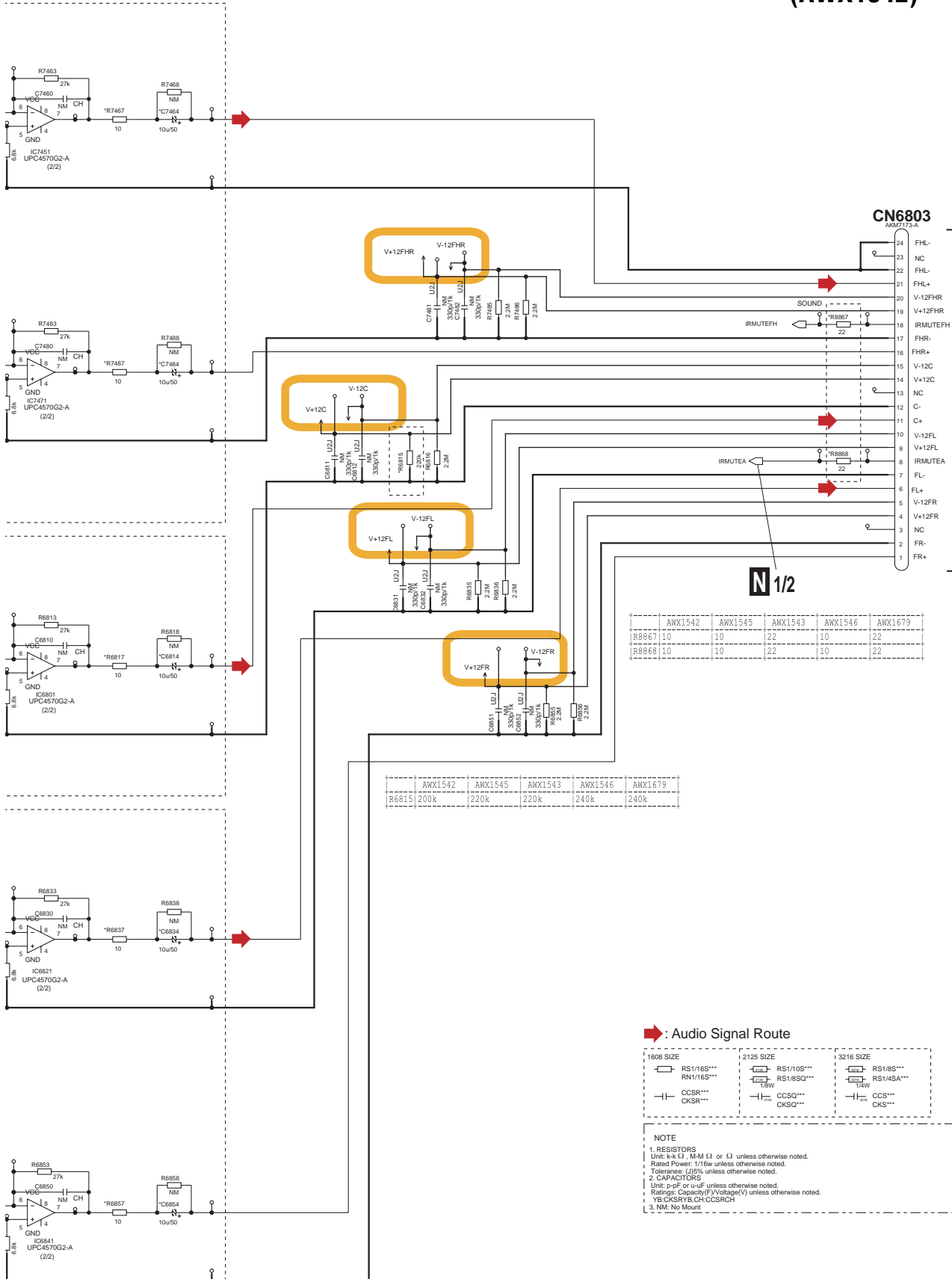
1

2

3

4

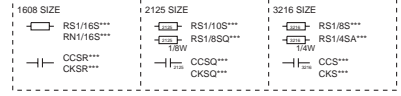
N_{2/2} IR BUFFER_S ASSY(2/2) (AWX1542)



	AWX1542	AWX1545	AWX1543	AWX1546	AWX1679
R8867	10	10	22	10	22
R8868	10	10	22	10	22

	AWX1542	AWX1545	AWX1543	AWX1546	AWX1679
R6815	200k	220k	220k	240k	240k

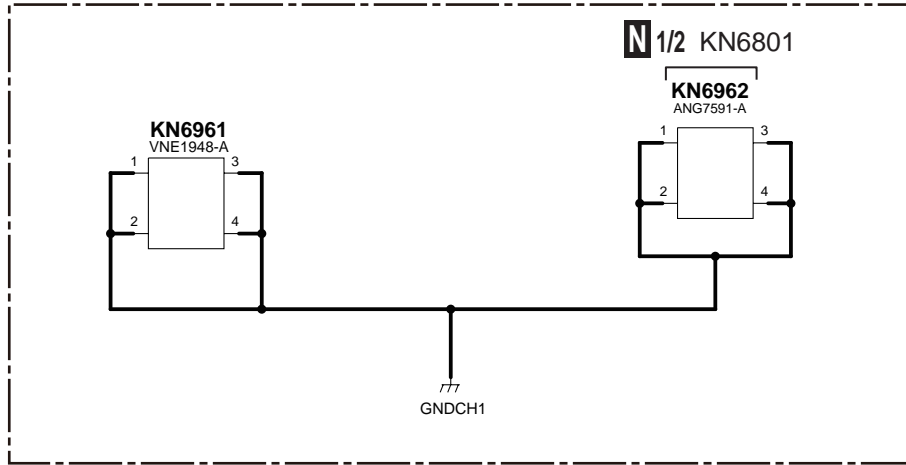
➔ : Audio Signal Route



NOTE
 1. RESISTORS
 Unit: k-Ω, M-M Ω or Ω unless otherwise noted.
 Rated Power: 1/16w unless otherwise noted.
 Tolerance: 0.5% unless otherwise noted.
 2. CAPACITORS
 Unit: p-pF or u-uF unless otherwise noted.
 Ratings: Capacity(Voltage(V)) unless otherwise noted.
 YB,CKSR,YB,CH,CCSRCH
 3. NM: No Mount

10.35 BUFFER GND_S ASSY and IR INTERFACE_S ASSY

○ BUFFER GND_S ASSY
(AWX1544)



N 1/2
CN680:

N 2/2
CN680:

➔: Audio Signal Route

NOTE

1. RESISTORS
Unit: k- Ω , M-M Ω , or Ω unless otherwise noted.
Rated Power: 1/16w unless otherwise noted.
Tolerance: (J)5% unless otherwise noted.

2. CAPACITORS
Unit: p-pF or u-uF unless otherwise noted.
Ratings: Capacity(F)/Voltage(V) unless otherwise noted.
YB:CKSR YB,CH:CCSRCH

3. NM: No Mount

1608 SIZE	2125 SIZE	3216 SIZE
RS1/16S*** RN1/16S***	RS1/10S*** RS1/8SQ*** 1/8W	RS1/8S*** RS1/4SA*** 1/4W
CCSR*** CKSR***	CCSQ*** CKSQ***	CCS*** CKS***

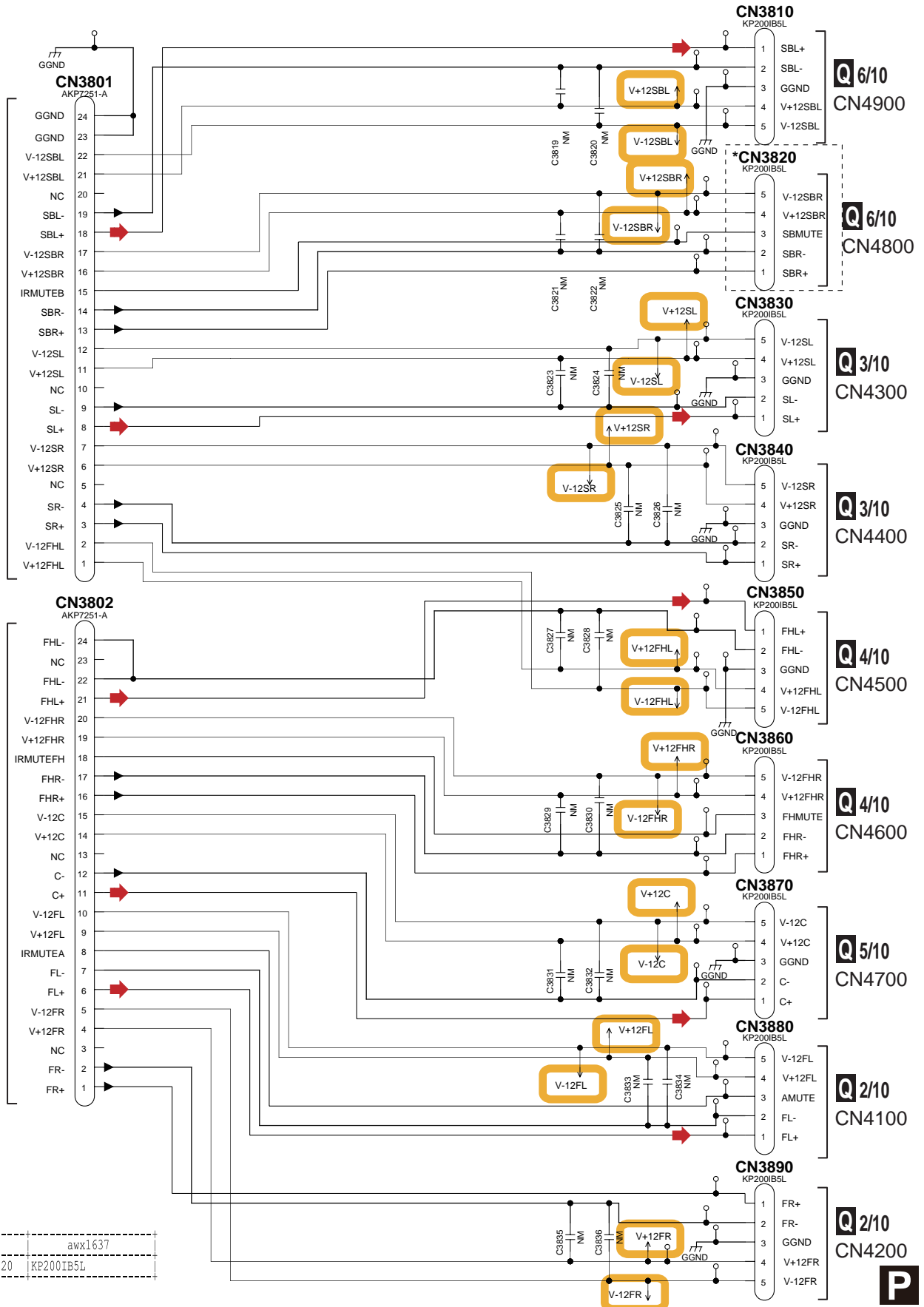
++
CN



P IR INTERFACE_S ASSY (AWX1637)

N 1/2
CN6802

N 2/2
CN6803

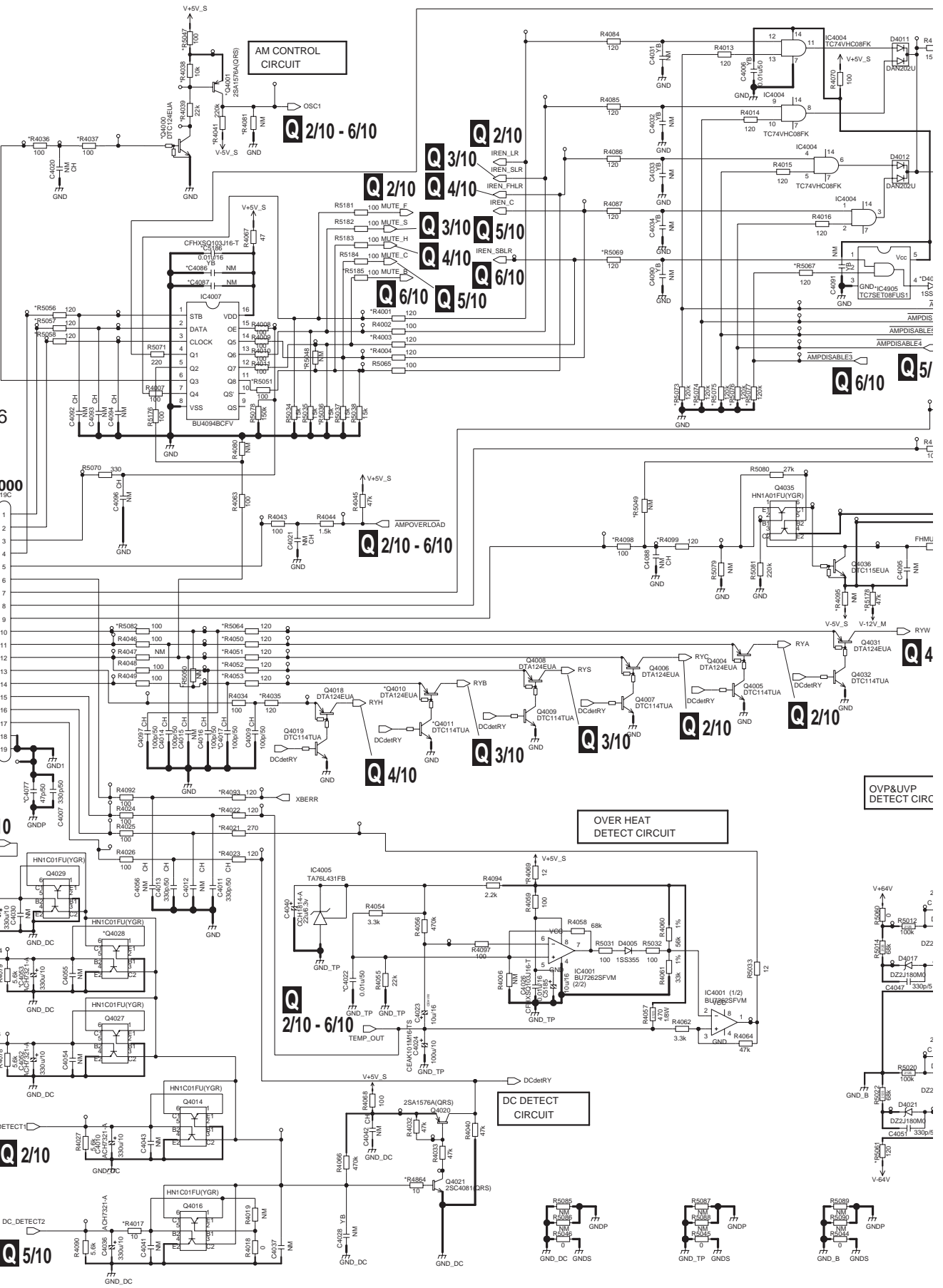


	awx1637
CN3820	KP200IB5L

SC-75

P

10.36 D-AMP_S ASSY (1/10)



A

B

F
CN7006

C

EXSO
EXSCK
EXOE
EXST
XOLERR
XBERR
IRMUTEA
IRMUTESB
IRMUTEFH
RY_FW
RY_AF
RY_CR
RY_PH
RY_B
AMP_TEMP
XTEMPERRS
XDCERR
GNDD
GNDD

D

DC_DETECT5

E

DC_DETECT4
DC_DETECT3
DC_DETECT1

F

DC_DETECT2

AM CONTROL CIRCUIT

Q 2/10 - 6/10

Q 2/10
Q 3/10
Q 4/10
Q 5/10
Q 6/10

Q 6/10
Q 5/10

AMPOVERLOAD
Q 2/10 - 6/10

Q 4/10

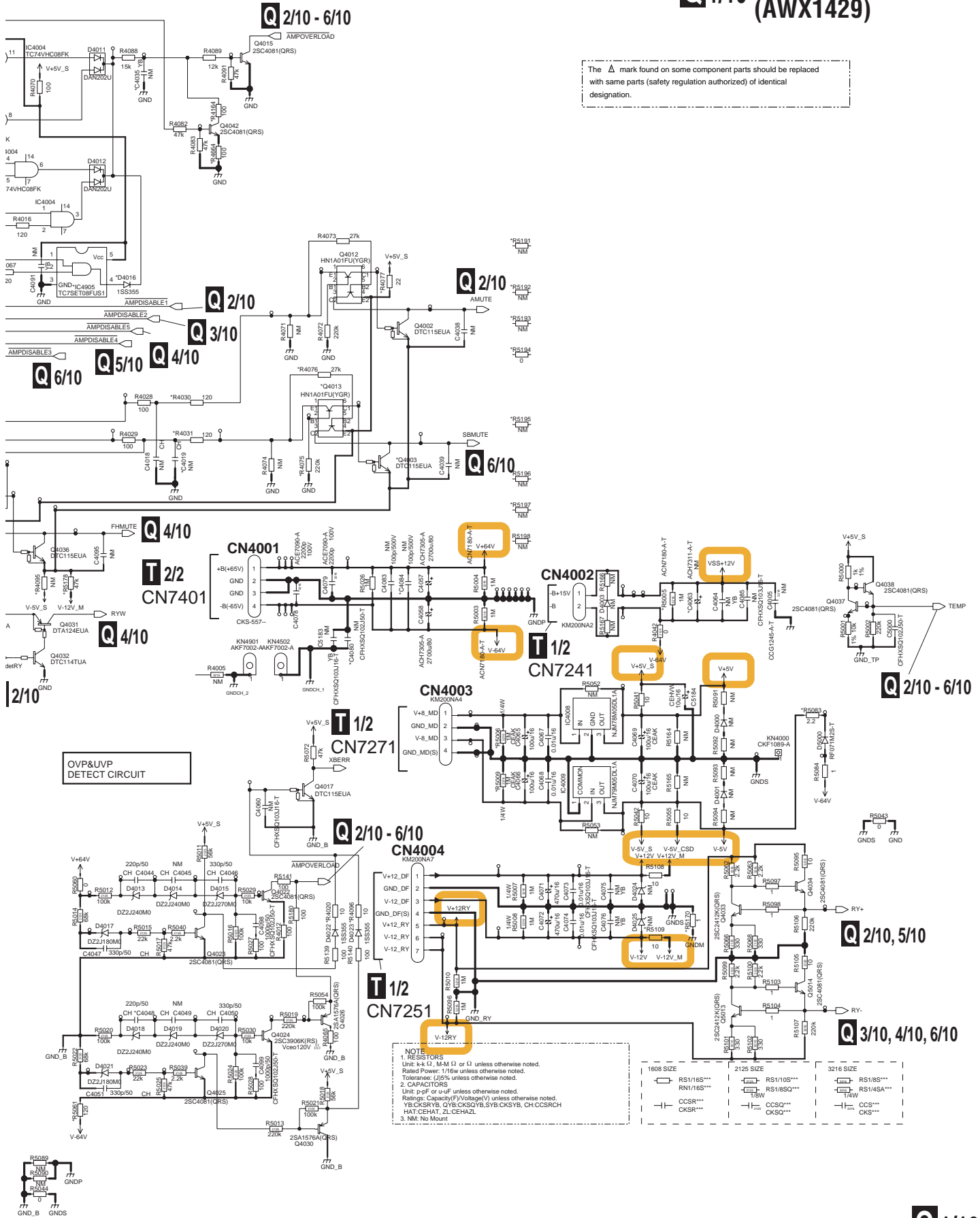
OVER HEAT DETECT CIRCUIT

Q 2/10 - 6/10

DC DETECT CIRCUIT

OVP&UVP DETECT CIRC

Q1/10 D-AMP_S ASSY(1/10) (AWX1429)



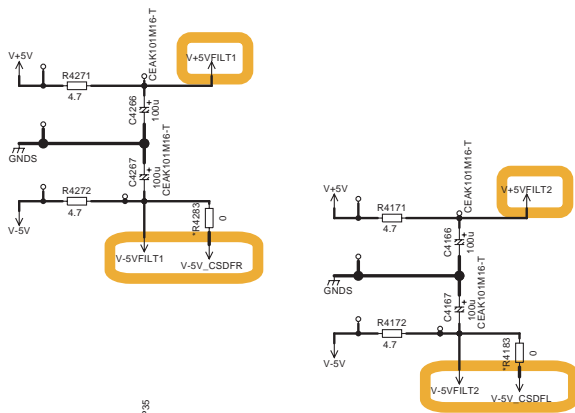
The Δ mark found on some component parts should be replaced with same parts (safety regulation authorized) of identical designation.

- NOTE:**
- 1. RESISTORS
Unit: k- Ω , M- Ω or Ω unless otherwise noted.
Rated Power: 1/16w unless otherwise noted.
Tolerance: J(5%) unless otherwise noted.
 - 2. CAPACITORS
Unit: p-F or u-F unless otherwise noted.
Rating: Capacity (V)/Voltage (V) unless otherwise noted.
YB: Ck-8YB, CYB: Ck-5YB, S.Y.B: CK-5YB, CH: CK-5RCH
 - 3. NM: No Mount.

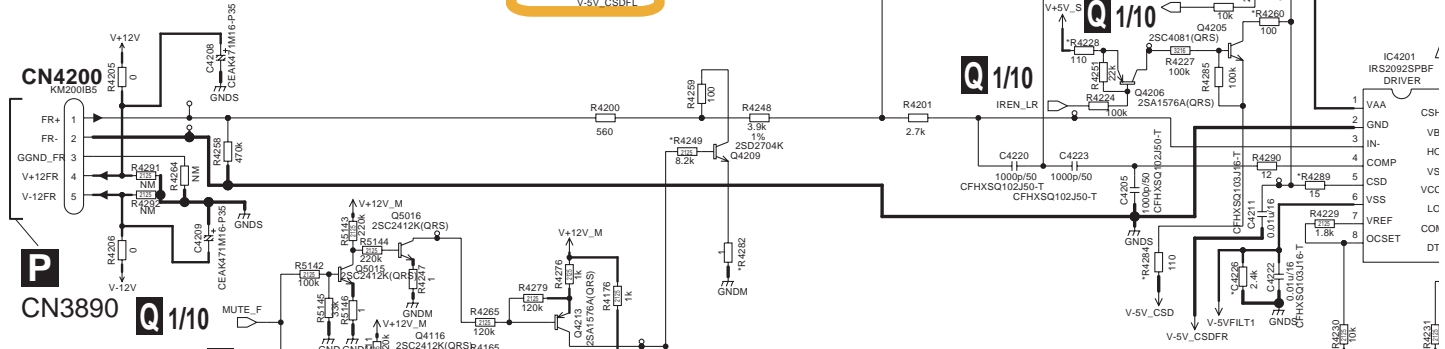
1608 SIZE		2125 SIZE		3216 SIZE	
	RS1/16S*** RN1/16S***		RS1/10S*** RS1/8SQ***		RS1/8S*** RS1/4SA***
	CCSR*** CKSR***		CS50*** CK50***		CCS*** CKS***

10.37 D-AMP_S ASSY (2/10)

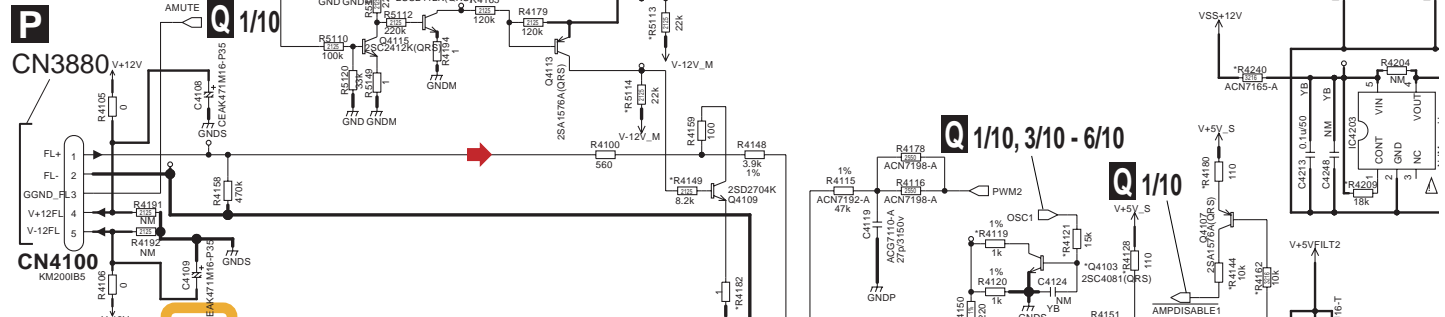
A



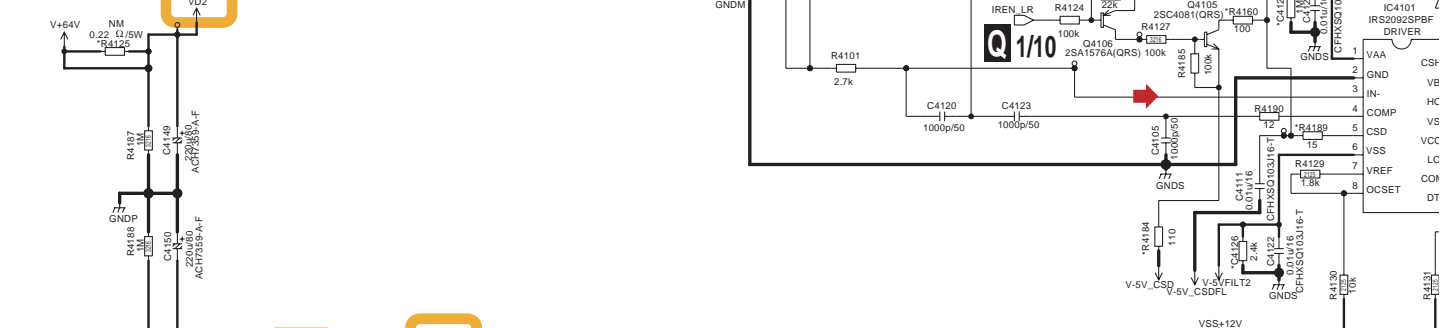
B



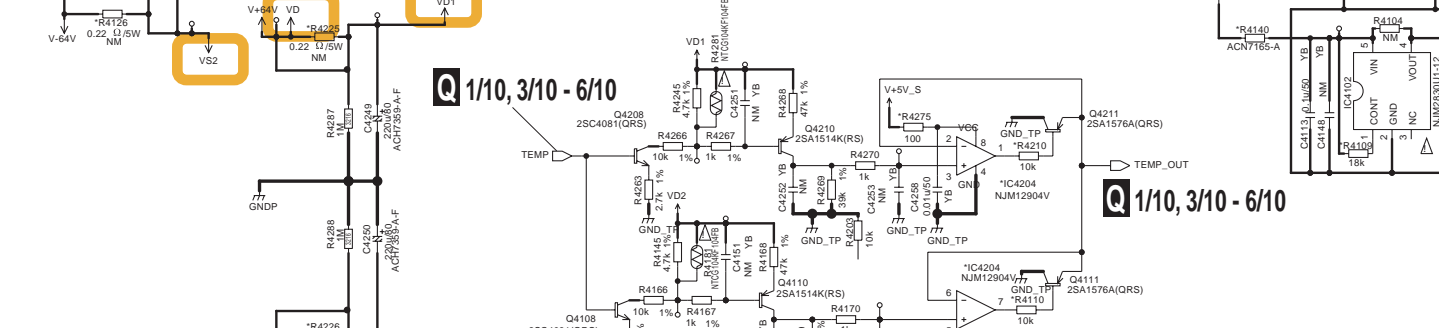
C



D



E



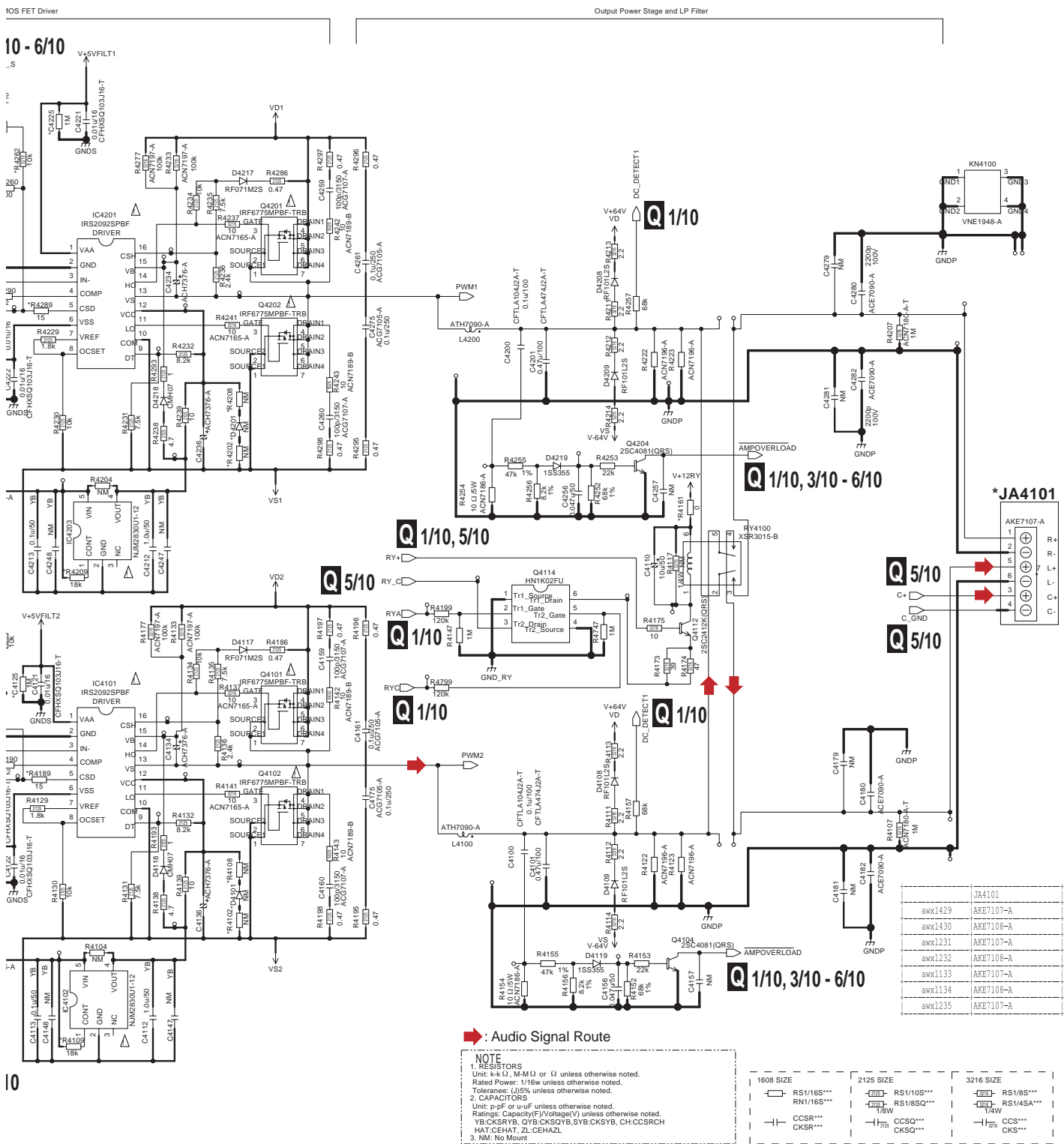
F



Q 2/10

The Δ ma with same p designation

Q2/10 D-AMP_S ASSY(2/10) (AWX1429)

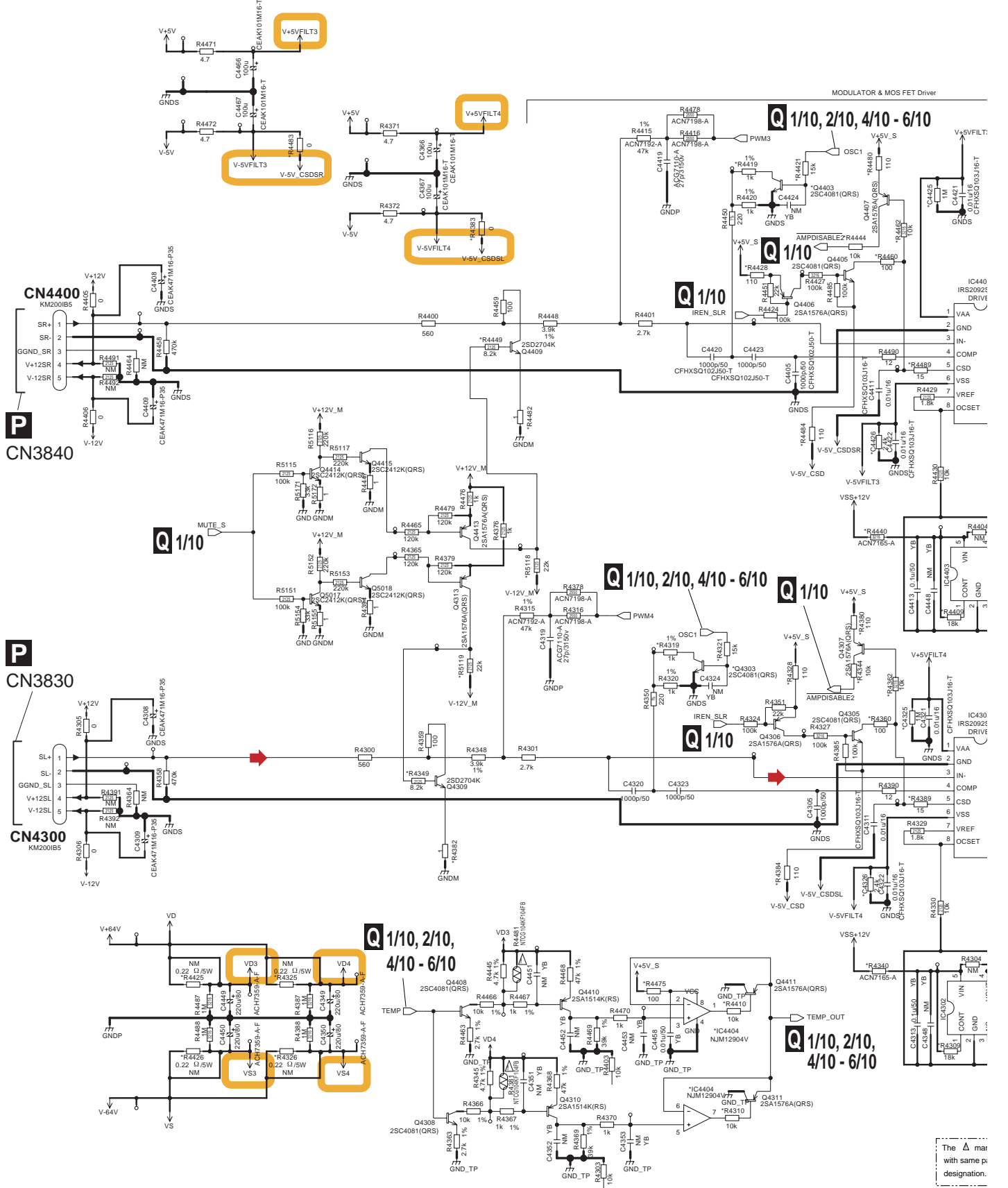


The Δ mark found on some component parts should be replaced with same parts (safety regulation authorized) of identical designation.

10.38 D-AMP_S ASSY (3/10)

A
B
C
D
E
F

1 2 3 4



Q3/10
78

SC-75

1 2 3 4

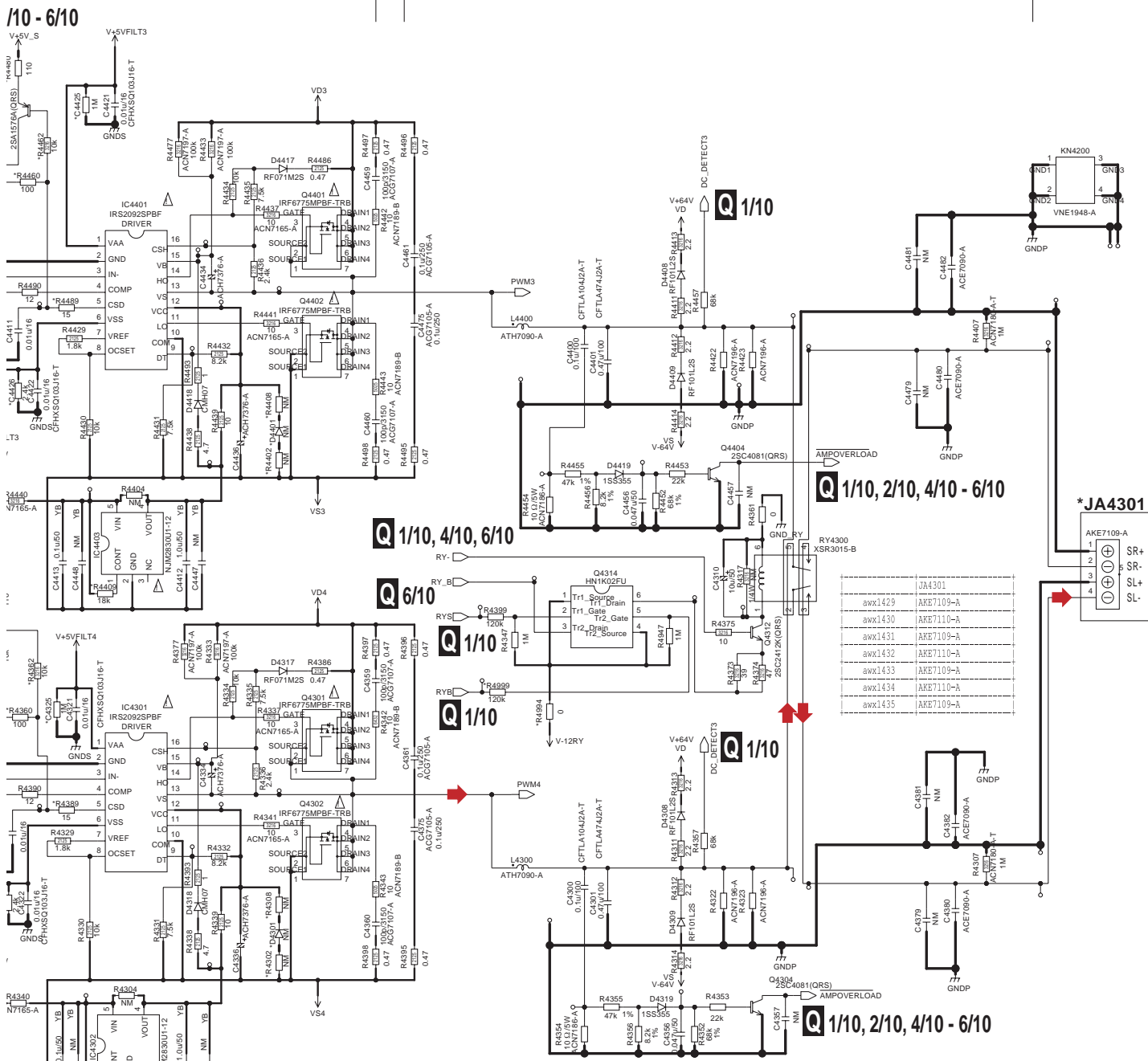
The Δ mark with same part designation.

Q3/10 D-AMP_S ASSY(3/10) (AWX1429)

A
B
C
D
E
F

JR & MOS FET Driver

Output Power Stage and LP Filter



Q 1/10, 4/10, 6/10

Q 6/10

Q 1/10

Q 1/10

Q 1/10

Q 1/10, 2/10, 4/10 - 6/10

Q 1/10, 2/10, 4/10 - 6/10

➔ Audio Signal Route

NOTE
 1. RESISTORS
 Unit: k:K, M:M or Ω unless otherwise noted.
 Rated Power: 1/16W unless otherwise noted.
 Tolerance: (J)5% unless otherwise noted.
 2. CAPACITORS
 Unit: p:PF or u:UF unless otherwise noted.
 Ratings: Capacity(F)/Voltage(V) unless otherwise noted.
 YB:CKSRV5, QV8:CKSDV8, SV8:CKSV8, CH:CCSRCH
 HAT:CEAT, ZL:CEHAZL
 3. NM: No Mount

1608 SIZE	2125 SIZE	3216 SIZE
RS1/16S***	RS1/10S***	RS1/8S***
RN1/16S***	RS1/8SQ***	RS1/4SA***
CCSR***	CCSO***	CCS***
CKSR***	CKSO***	CKS***

The Δ mark found on some component parts should be replaced with same parts (safety regulation authorized) of identical designation.

10.39 D-AMP_S ASSY (4/10)

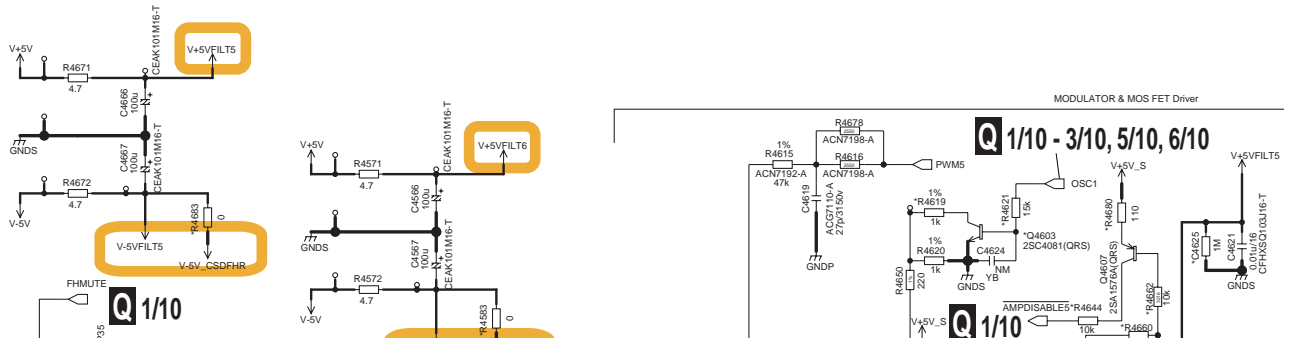
1

2

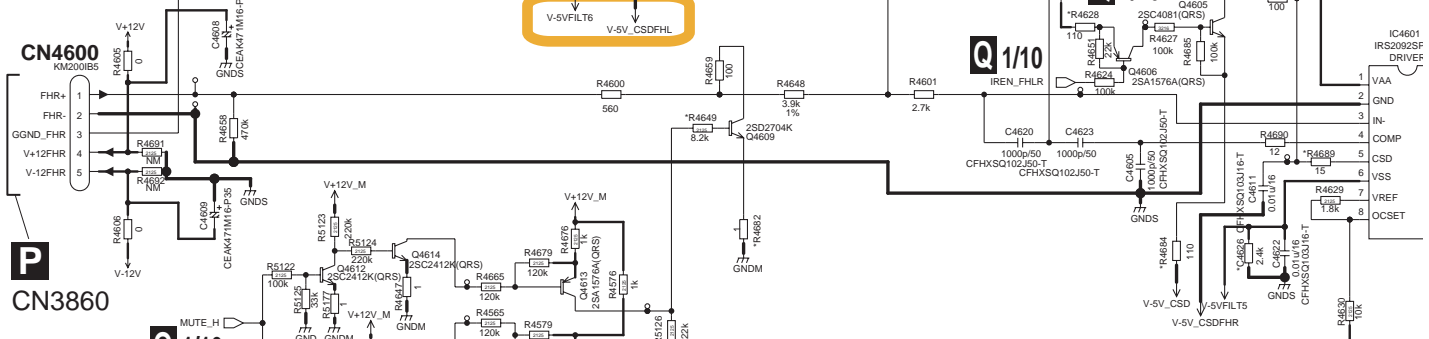
3

4

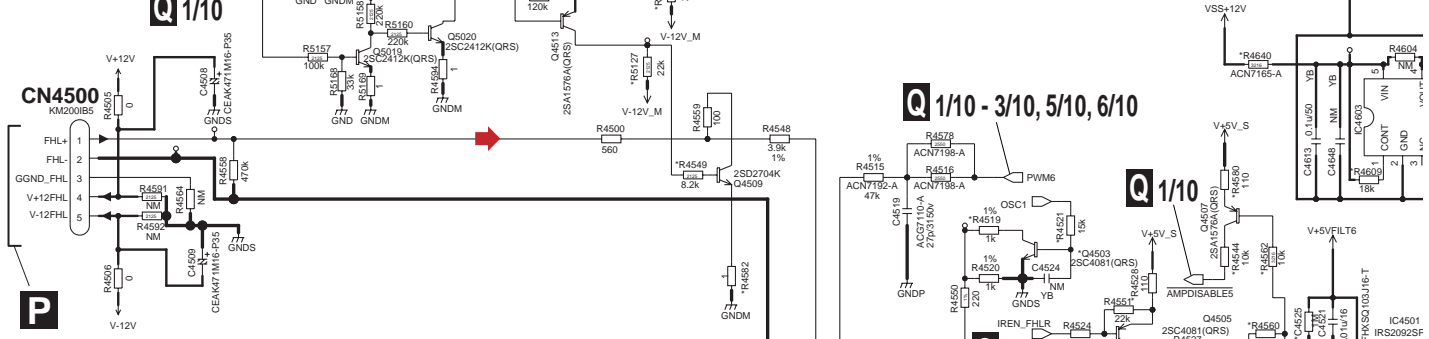
A



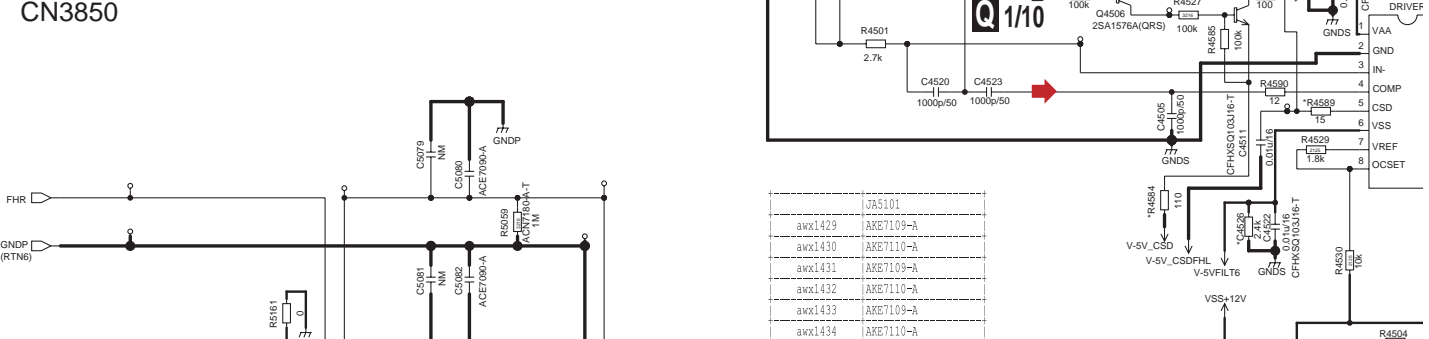
B



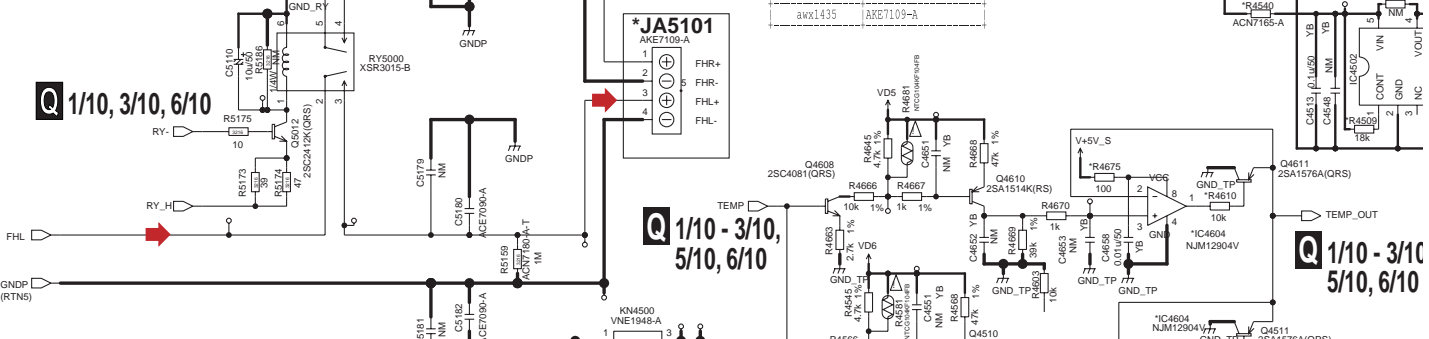
C



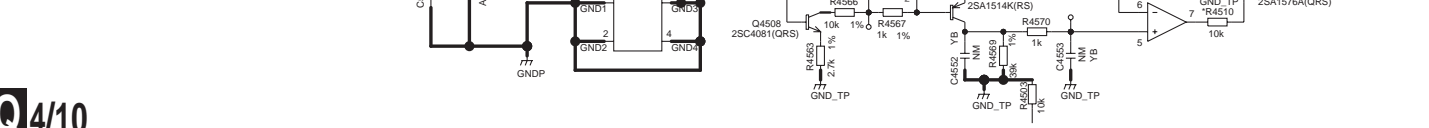
D



E



F



Q 4/10

1

2

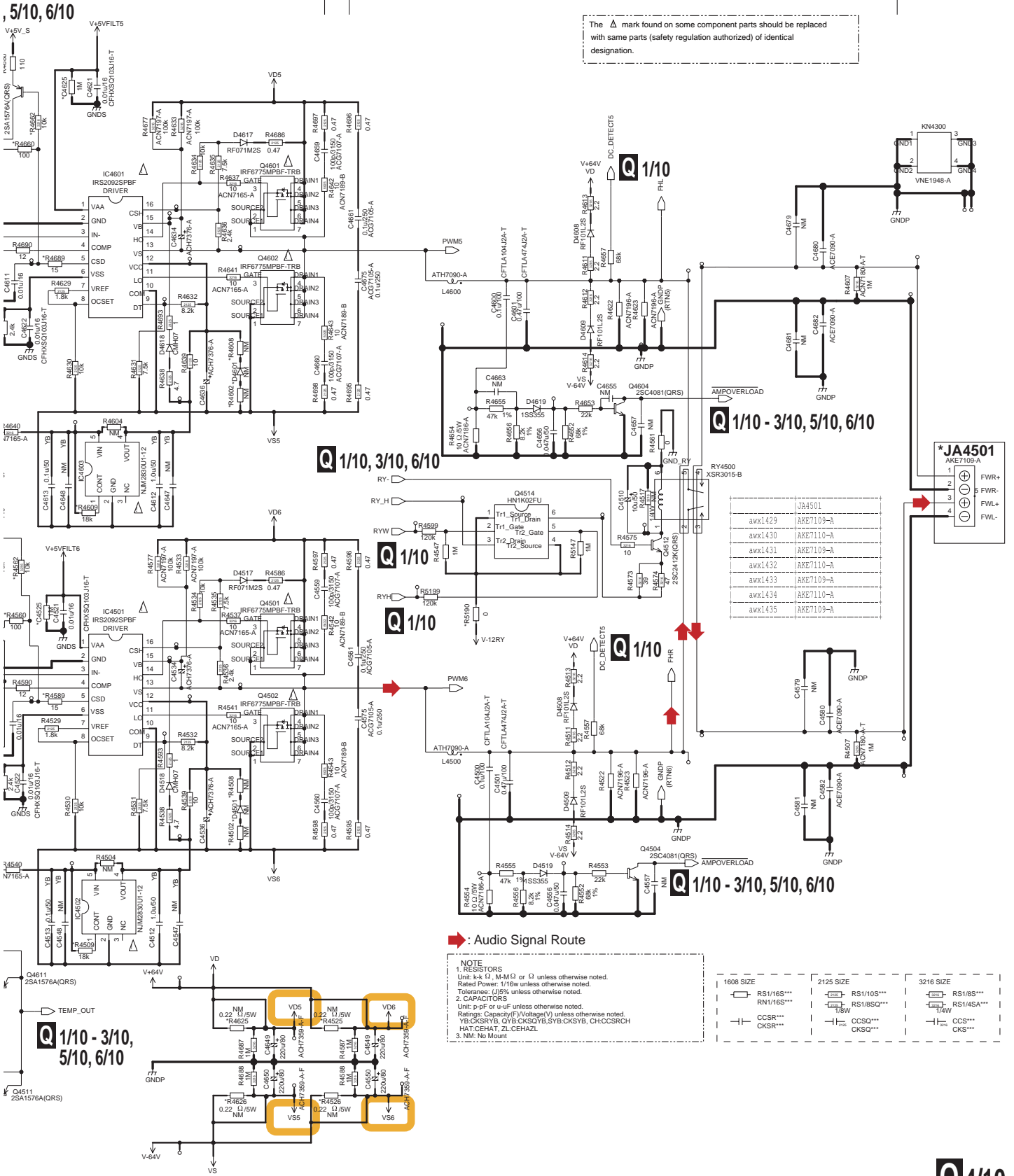
3

4

Q4/10 D-AMP_S ASSY(4/10) (AWX1429)

R & MOS FET Driver

Output Power Stage and LP Filter



The Δ mark found on some component parts should be replaced with same parts (safety regulation authorized) of identical designation.

Part Number	Designation
awx1.429	AKE71109-A
awx1.430	AKE71110-A
awx1.431	AKE71109-A
awx1.432	AKE71110-A
awx1.433	AKE71109-A
awx1.434	AKE71110-A
awx1.435	AKE71109-A

NOTE
 1. RESISTORS
 Unit: k- Ω , M-M Ω or Ω unless otherwise noted.
 Rated Power: 1/16W unless otherwise noted.
 Tolerance: \pm 5% unless otherwise noted.
 2. CAPACITORS
 Unit: p-P or u-uF unless otherwise noted.
 Ratings: Capacity (F) (Voltage (V)) unless otherwise noted.
 YB:CKSRV; YVB:CKSQV; SVB:CKSV; CH:CCSRCH
 HAT:CEHAT; ZL:CEHAZL
 3. NM: No Mount

1608 SIZE	2125 SIZE	3216 SIZE
RS1/16S***	RS1/10S***	RS1/8S***
RN1/16S***	RS1/8SQ***	RS1/4SA***
CCSR***	CCSQ***	CCS***
CKSR***	CKSQ***	CKS***

10.40 D-AMP_S ASSY (5/10)

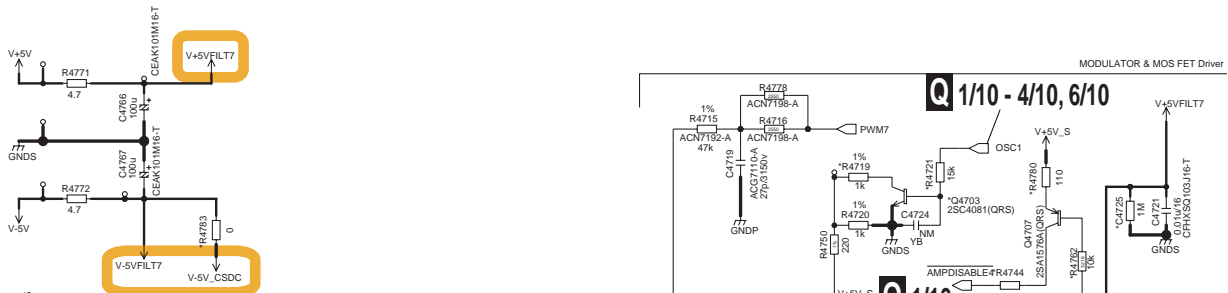
1

2

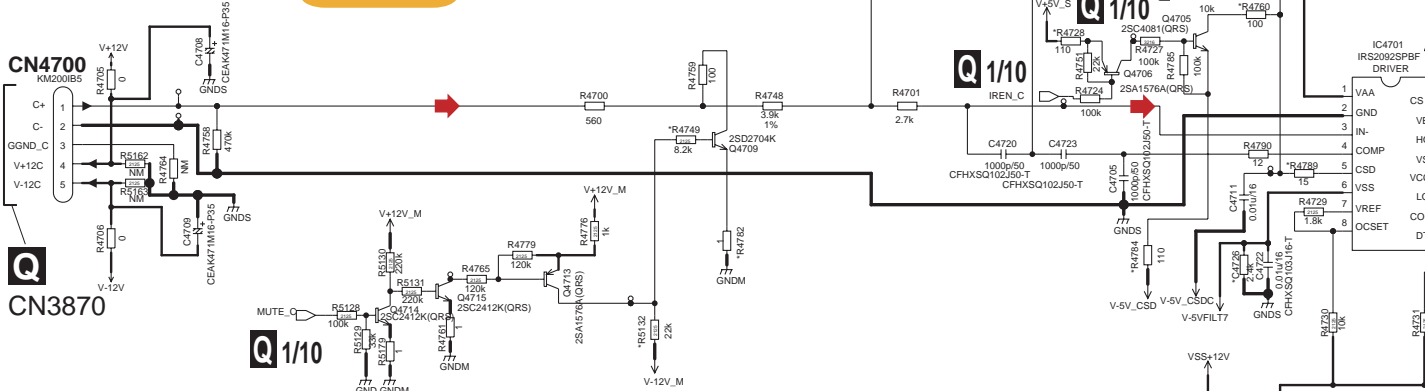
3

4

A



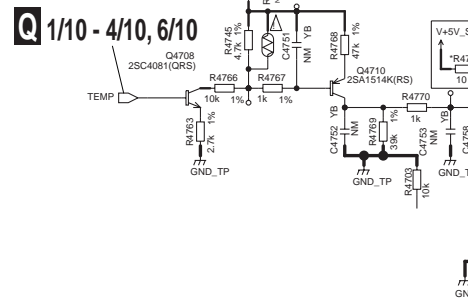
B



C

4xht	awx1429	awx1430	awx1431	awx1432	awx1433	awx1434	awx1435
C4525	1M	1M	1M	1M	NM	1M	1M
C4526	2.4k	2.4k	2.4k	2.4k	NM	1.8k	1.8k
C4625	1M	1M	1M	1M	NM	1M	1M
C4626	2.4k	2.4k	2.4k	2.4k	NM	1.8k	1.8k
R4502	NM	1	1	NM	NM	1	1
R4508	NM	1	1	NM	NM	1	1
R4509	18k	22k	22k	22k	18k	22k	22k
R4510	10k	9.1k	9.1k	9.1k	10k	9.1k	9.1k
R4519	1k	1k	NM	1k	1k	1k	NM
R4521	15k	NM	15k	15k	15k	15k	NM
R4525	NM	ACNT094-A	ACNT094-A	NM	NM	ACNT094-A	ACNT094-A
R4526	NM	ACNT094-A	ACNT094-A	NM	NM	ACNT094-A	ACNT094-A
R4528	110	120	120	120	110	120	120
R4540	ACNT165-A	47	47	47	ACNT165-A	47	47
R4544	10k	12k	12k	12k	10k	12k	12k
R4549	8.2k	15k	15k	15k	8.2k	15k	15k
R4560	100	120	120	120	100	120	120
R4562	10k	12k	12k	12k	10k	12k	12k
R4580	110	150	150	150	110	150	150
R4582	1	10	10	10	1	10	10
R4583	0	10k	10k	10k	0	10k	10k
R4584	110	150	150	150	110	150	150
R4589	15	100	100	100	15	100	100
R4602	NM	1	1	NM	NM	1	1
R4608	NM	1	1	NM	NM	1	1
R4609	18k	22k	22k	22k	18k	22k	22k
R4610	10k	9.1k	9.1k	9.1k	10k	9.1k	9.1k
R4619	1k	1k	NM	1k	1k	1k	NM
R4621	15k	15k	NM	15k	15k	15k	NM
R4625	NM	ACNT094-A	ACNT094-A	NM	NM	ACNT094-A	ACNT094-A
R4626	NM	ACNT094-A	ACNT094-A	NM	NM	ACNT094-A	ACNT094-A
R4628	110	120	120	120	110	120	120
R4640	ACNT165-A	47	47	47	ACNT165-A	47	47
R4644	10k	12k	12k	12k	10k	12k	12k
R4649	8.2k	15k	15k	15k	8.2k	15k	15k
R4660	100	120	120	120	100	120	120
R4662	10k	12k	12k	12k	10k	12k	12k
R4675	100	120	120	120	100	120	120
R4680	110	150	150	150	110	150	150
R4682	1	10	10	10	1	10	10
R4683	0	10k	10k	10k	0	10k	10k
R4684	110	150	150	150	110	150	150
R4689	15	100	100	100	15	100	100
R5126	22k	47k	47k	47k	22k	47k	47k
R5127	22k	47k	47k	47k	22k	47k	47k
R5190	0	2.2	2.2	2.2	0	2.2	2.2
IC4604	NJM12904V	NJM2732V	NJM2732V	NJM2732V	NJM12904V	NJM2732V	NJM2732V
I4501	NM	1SS355	NM	NM	1SS355	NM	1SS355
I4601	NM	1SS355	1SS355	NM	NM	1SS355	1SS355
J4501	AKE7109-A	AKE7110-A	AKE7109-A	AKE7110-A	AKE7109-A	AKE7110-A	AKE7109-A
J4501	AKE7109-A	AKE7110-A	AKE7110-A	AKE7109-A	AKE7109-A	AKE7110-A	AKE7109-A
Q4503	2SC4081(QRS)	2SC4081(QRS)	NM	2SC4081(QRS)	2SC4081(QRS)	2SC4081(QRS)	NM
Q4603	2SC4081(QRS)	2SC4081(QRS)	NM	2SC4081(QRS)	2SC4081(QRS)	2SC4081(QRS)	NM

F



The Δ mark found on some components with same parts (safety regulation author designation).

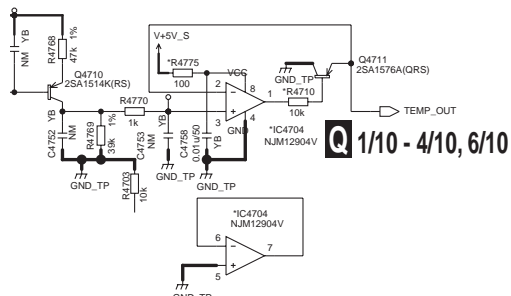
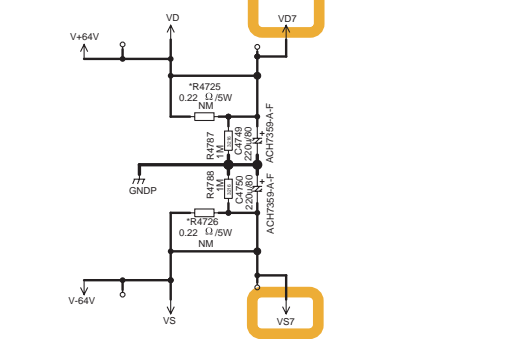
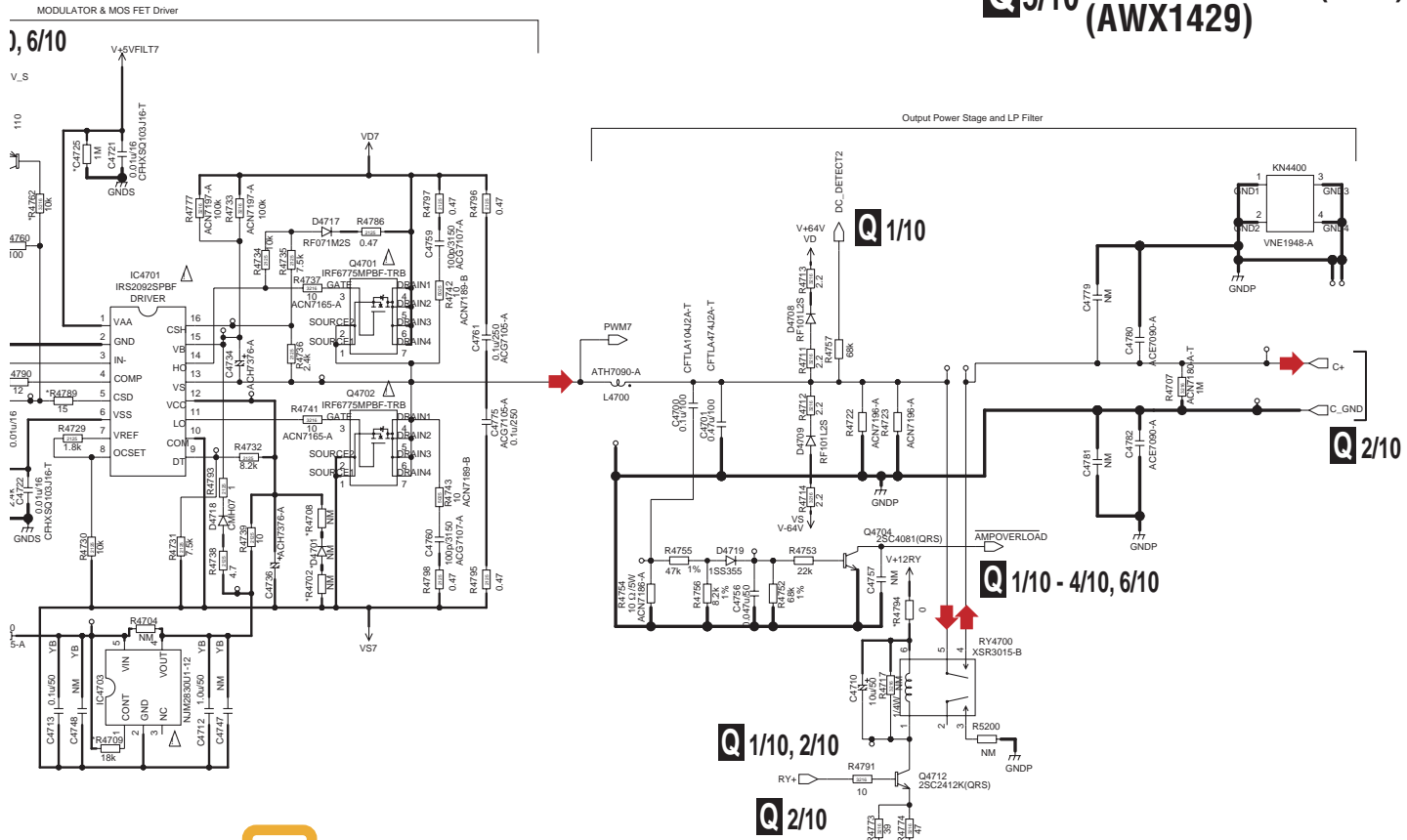
1

2

3

4

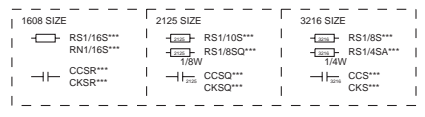
Q5/10 D-AMP_S ASSY(5/10) (AWX1429)



5shht	awx1429	awx1430	awx1431	awx1432	awx1433	awx1434	awx1435
C4725	1M	1M	1M	1M	NM	1M	1M
C4726	2.4k	2.4k	2.4k	2.4k	NM	1.8k	1.8k
R4702	NM	1	1	NM	NM	1	1
R4708	NM	1	NM	NM	NM	1	1
R4709	18k	22k	22k	22k	18k	22k	22k
R4710	10k	9.1k	9.1k	9.1k	10k	9.1k	9.1k
R4719	1k	1k	1k	1k	1k	1k	NM
R4721	15k	15k	NM	15k	15k	15k	NM
R4725	NM	ACN7094-A	ACN7094-A	NM	NM	ACN7094-A	ACN7094-A
R4726	NM	ACN7094-A	ACN7094-A	NM	NM	ACN7094-A	ACN7094-A
R4728	110	120	120	120	110	120	120
R4740	ACN7165-A	47	47	47	ACN7165-A	47	47
R4744	10k	12k	12k	12k	10k	12k	12k
R4749	8.2k	15k	15k	15k	8.2k	15k	15k
R4760	100	120	120	120	100	120	120
R4762	10k	12k	12k	12k	10k	12k	12k
R4775	100	120	120	120	100	120	120
R4780	110	150	150	150	110	150	150
R4782	1	10	10	10	1	10	10
R4783	0	10k	10k	10k	0	10k	10k
R4784	110	150	150	150	110	150	150
R4789	15	100	100	100	15	100	100
R4794	0	4.7	4.7	4.7	0	4.7	4.7
R5132	22k	47k	47k	47k	22k	47k	47k
IC4704	NJM12904V	NJM2732V	NJM2732V	NJM2732V	NJM12904V	NJM2732V	NJM2732V
D4701	NM	1S8355	1S8355	NM	NM	1S8355	1S8355
Q4703	28C4081(QRS)	NM	28C4081(QRS)	28C4081(QRS)	28C4081(QRS)	28C4081(QRS)	NM

Audio Signal Route

NOTE
 1. RESISTORS
 Unit: k-kΩ, M-MΩ, Ω or Ω unless otherwise noted.
 Rated Power: 1/16W unless otherwise noted.
 Tolerance: (J)5% unless otherwise noted.
 2. CAPACITORS
 Unit: p-pF or u-uF unless otherwise noted.
 Ratings: Capacity(F)/Voltage(V) unless otherwise noted.
 YB:CKSR,YB,CYB:CKSO,YB,SYB:CKSYB,CH:CCSRCH
 HAT:CEHAT,ZL:CEHAZL
 3. NM: No Mount

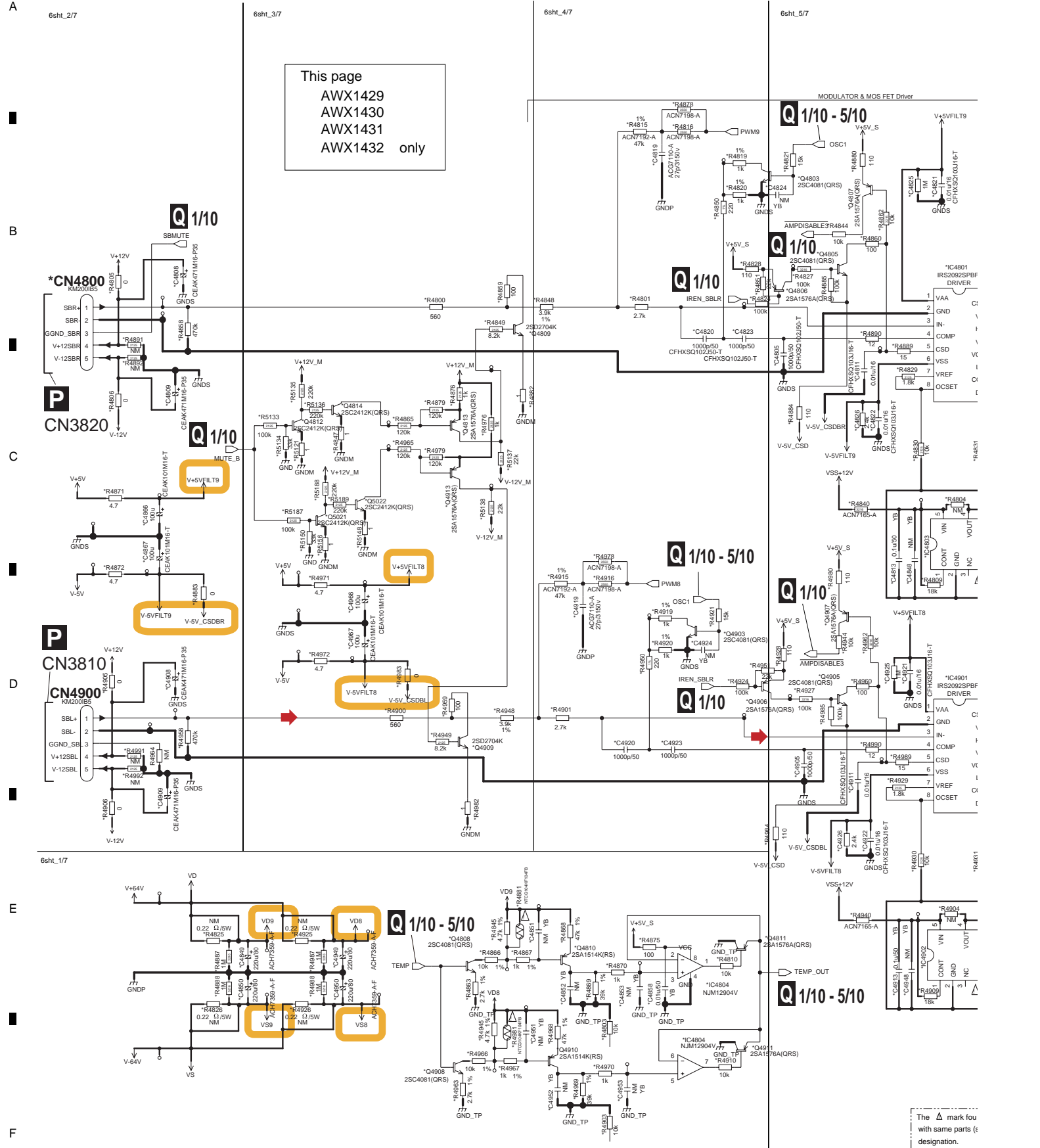


▲ mark found on some component parts should be replaced same parts (safety regulation authorized) of identical nation.

10.41 D-AMP_S ASSY (6/10)

1 2 3 4

This page
AWX1429
AWX1430
AWX1431
AWX1432 only

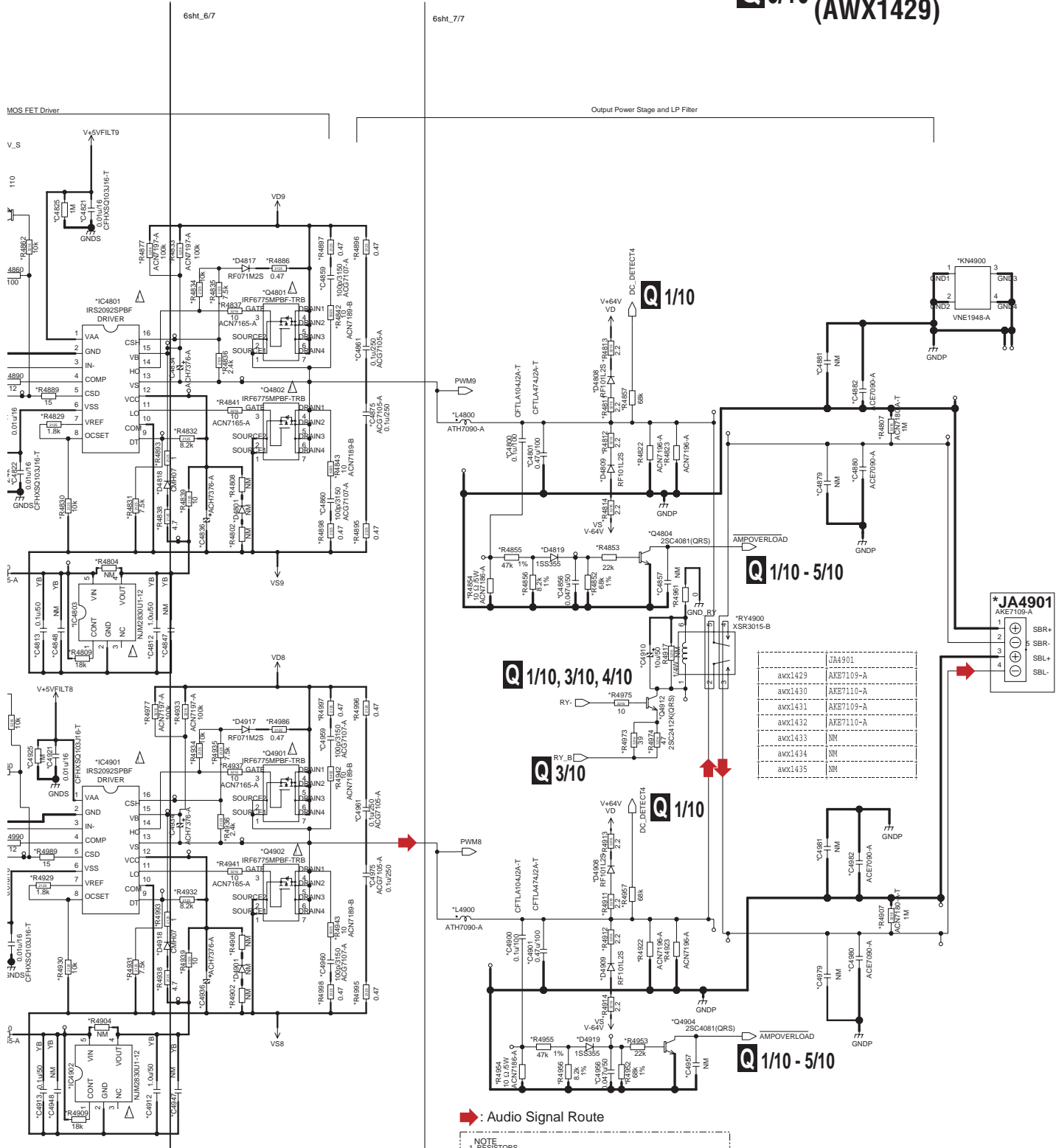


Q 6/10

84 SC-75

1 2 3 4

Q6/10 D-AMP_S ASSY(6/10) (AWX1429)



Part No.	Part Name
awx1429	AKE7109-A
awx1430	AKE7110-A
awx1431	AKE7109-A
awx1432	AKE7110-A
awx1433	NM
awx1434	NM
awx1435	NM

➔ Audio Signal Route

NOTE
 1. RESISTORS
 Unit: k-Ω, M-Ω or Ω unless otherwise noted.
 Rated Power: 1/16W unless otherwise noted.
 Tolerance: ±1% unless otherwise noted.
 2. CAPACITORS
 Unit: p-pF or u-uF unless otherwise noted.
 Ratings: Capacity(V)/Voltage(V) unless otherwise noted.
 YB:CKSOYB, QYB:CKSOYB, SYB:CKSOYB, CH:CCSRCH
 HAT:CEHAT, ZL:CEHAZL
 3. NM: No Mount.

1608 SIZE	2125 SIZE	3216 SIZE
RS1/16S***	RS1/16S***	RS1/8S***
RN1/16S***	RS1/8SQ***	RS1/4SA***
CCSQ***	CCSQ***	CCS***
CKSR***	CKSQ***	CKS***

The Δ mark found on some component parts should be replaced with same parts (safety regulation authorized) of identical designation.

10.42 D-AMP_S ASSY (7/10)

A

1sht	awx1429	awx1430	awx1431	awx1432	awx1433	awx1434	awx1435
C4017	100p/50	100p/50	100p/50	100p/50	NM	NM	NM
C4019	NM	NM	NM	NM	NM	NM	NM
C4022	0.1u/50	0.01u/50	0.01u/50	0.01u/50	0.1u/50	0.01u/50	0.01u/50
C4035	0.1u/50	NM	NM	NM	0.1u/50	NM	NM
C4048	330p/50	220p/50	220p/50	220p/50	330p/50	220p/50	220p/50
C4053	ACH7321-A	ACH7321-A	ACH7321-A	ACH7321-A	NM	NM	NM
C4063	220u/25	NM	NM	NM	220u/25	NM	NM
C4077	10p/50	47p/50	47p/50	47p/50	10p/50	47p/50	47p/50
C4080	1000p/50	NM	NM	NM	1000p/50	1000p/50	NM
C4084	NM	ACE7082-A	ACE7082-A	NM	NM	ACE7082-A	ACE7082-A
C4086	0.01u/50	NM	NM	NM	0.01u/50	NM	NM
C4087	100p/50	NM	NM	NM	100p/50	NM	NM
C5186	NM	0.01u/16	0.01u/16	0.01u/16	NM	0.01u/16	0.01u/16
R4001	120	120	120	120	100	100	100
R4003	120	120	120	120	NM	NM	NM
R4004	120	120	120	120	100	100	100
R4017	0	10	10	10	0	10	10
R4020	1	10	10	10	1	10	10
R4021	220	270	270	270	220	270	270
R4022	100	120	120	120	100	120	120
R4023	100	120	120	120	100	120	120
R4030	100	120	120	120	100	120	120
R4031	100	120	120	120	NM	NM	NM
R4035	100	120	120	120	100	120	120
R4036	100	100	NM	100	100	100	NM
R4037	100	100	NM	100	100	100	NM
R4038	10k	10k	NM	10k	10k	10k	NM
R4039	22k	22k	NM	22k	22k	22k	NM
R4041	220k	220k	NM	220k	220k	220k	NM
R4050	100	120	120	120	100	120	120
R4051	100	120	120	120	100	120	120
R4052	100	120	120	120	100	120	120
R4053	100	120	120	120	NM	NM	NM
R4069	12	12	12	12	10	12	12
R4075	220k	220k	220k	220k	NM	NM	NM
R4076	27k	27k	27k	27k	NM	NM	NM
R4077	10	22	22	22	10	22	22
R4079	5.6k	5.6k	5.6k	5.6k	NM	NM	NM
R4081	NM	NM	0	NM	NM	NM	0
R4093	100	120	120	120	100	120	120
R4095	22k	NM	NM	NM	22k	NM	NM
R4096	1	10	10	10	1	10	10
R4098	100	100	100	100	NM	NM	NM
R4099	100	120	120	120	100	120	120
R4164	0	100	100	100	0	100	100
R4664	0	100	100	100	0	100	100
R4864	0	10	10	10	0	10	10
R5005	NM	1M	1M	1M	NM	1M	1M
R5006	1M	1M	1M	1M	NM	1M	1M
R5009	1M	1M	1M	1M	NM	1M	1M
R5036	15k	15k	15k	15k	NM	NM	NM
R5047	100	100	NM	100	100	100	NM
R5048	NM	NM	NM	NM	0	0	0
R5049	NM	NM	NM	NM	0	0	0
R5050	NM	NM	NM	NM	0	0	0
R5051	100	100	100	100	NM	NM	NM
R5056	120	120	120	120	100	120	120
R5057	120	120	120	120	100	120	120
R5058	100	120	120	120	100	120	120
R5061	120	120	120	120	100	100	100
R5064	100	120	120	120	100	120	120
R5067	120	120	120	120	NM	NM	NM
R5069	120	120	120	120	NM	NM	NM
R5073	100k	120k	120k	120k	100k	120k	120k
R5074	100k	120k	120k	120k	100k	120k	120k
R5075	100k	120k	120k	120k	100k	120k	120k
R5076	100k	120k	120k	120k	100k	120k	120k
R5077	100k	120k	120k	120k	NM	NM	NM
R5082	100	100	100	100	NM	NM	NM
R5083	1	2.2	2.2	2.2	1	2.2	2.2
R5109	0	10	10	10	0	10	10
R5170	0	1	1	1	0	1	1
R5178	NM	47k	47k	47k	NM	47k	47k
R5185	100	100	100	100	NM	NM	NM
R5191	0	NM	NM	NM	NM	NM	NM

B

C

D

E

F



Q7/10 D-AMP_S ASSY(7/10) (AWX1429)

1stht	awx1429	awx1430	awx1431	awx1432	awx1433	awx1434	awx1435
R5192	NM	0	NM	NM	NM	NM	NM
R5193	NM	NM	0	NM	NM	NM	NM
R5194	NM	NM	NM	0	NM	NM	NM
R5195	NM	NM	NM	NM	0	NM	NM
R5196	NM	NM	NM	NM	NM	0	NM
R5197	NM	NM	NM	NM	NM	NM	0
IC4905	TC7SET08FUS1	TC7SET08FUS1	TC7SET08FUS1	TC7SET08FUS1	NM	NM	NM
SUBASSY	AWX1429- /J	AWX1430- /J	AWX1431- /J	AWX1432- /J	AWX1433- /J	AWX1434- /J	AWX1435- /J
D4016	1SS355	1SS355	1SS355	1SS355	NM	NM	NM
Q4000	DTC124EUA	DTC124EUA	NM	DTC124EUA	DTC124EUA	DTC124EUA	NM
Q4001	2SA1576A (QRS)	2SA1576A (QRS)	NM	2SA1576A (QRS)	2SA1576A (QRS)	2SA1576A (QRS)	NM
Q4003	DTC115EUA	DTC115EUA	DTC115EUA	DTC115EUA	NM	NM	NM
Q4010	DTA124EUA	DTA124EUA	DTA124EUA	DTA124EUA	NM	NM	NM
Q4011	DTC114TUA	DTC114TUA	DTC114TUA	DTC114TUA	NM	NM	NM
Q4013	HN1A01FU (YGR)	HN1A01FU (YGR)	HN1A01FU (YGR)	HN1A01FU (YGR)	NM	NM	NM
Q4028	HN1C01FU (YGR)	HN1C01FU (YGR)	HN1C01FU (YGR)	HN1C01FU (YGR)	NM	NM	NM

2stht	awx1429	awx1430	awx1431	awx1432	awx1433	awx1434	awx1435
C4125	1M	1M	1M	1M	NM	1M	1M
C4126	2.4k	2.4k	2.4k	2.4k	NM	1.8k	1.8k
C4225	1M	1M	1M	1M	NM	1M	1M
C4226	2.4k	2.4k	2.4k	2.4k	NM	1.8k	1.8k
R4102	NM	1	1	NM	NM	1	1
R4108	NM	1	1	NM	NM	1	1
R4109	18k	22k	22k	22k	18k	22k	22k
R4110	10k	9.1k	9.1k	9.1k	10k	9.1k	9.1k
R4119	1k	1k	NM	1k	1k	1k	NM
R4121	15k	15k	NM	15k	15k	15k	NM
R4125	NM	ACN7094-A	ACN7094-A	NM	NM	ACN7094-A	ACN7094-A
R4126	NM	ACN7094-A	ACN7094-A	NM	NM	ACN7094-A	ACN7094-A
R4128	110	120	120	120	110	120	120
R4140	ACN7165-A	47	47	47	ACN7165-A	47	47
R4144	10k	12k	12k	12k	10k	12k	12k
R4149	8.2k	15k	15k	15k	8.2k	15k	15k
R4160	100	120	120	120	100	120	120
R4161	0	4.7	4.7	4.7	0	4.7	4.7
R4162	10k	12k	12k	12k	10k	12k	12k
R4180	110	150	150	150	110	150	150
R4182	1	10	10	10	1	10	10
R4183	0	10k	10k	10k	0	10k	10k
R4184	110	150	150	150	110	150	150
R4189	15	100	100	100	15	100	100
R4202	NM	1	1	NM	NM	1	1
R4208	NM	1	1	NM	NM	1	1
R4209	18k	22k	22k	22k	18k	22k	22k
R4210	10k	9.1k	9.1k	9.1k	10k	9.1k	9.1k
R4219	1k	1k	NM	1k	1k	1k	NM
R4221	15k	15k	NM	15k	15k	15k	NM
R4225	NM	ACN7094-A	ACN7094-A	NM	NM	ACN7094-A	ACN7094-A
R4226	NM	ACN7094-A	ACN7094-A	NM	NM	ACN7094-A	ACN7094-A
R4228	110	120	120	120	110	120	120
R4240	ACN7165-A	47	47	47	ACN7165-A	47	47
R4244	10k	12k	12k	12k	10k	12k	12k
R4249	8.2k	15k	15k	15k	8.2k	15k	15k
R4260	100	120	120	120	100	120	120
R4262	10k	12k	12k	12k	10k	12k	12k
R4275	100	120	120	120	100	120	120
R4280	110	150	150	150	110	150	150
R4282	1	10	10	10	1	10	10
R4283	0	10k	10k	10k	0	10k	10k
R4284	110	150	150	150	110	150	150
R4289	15	100	100	100	15	100	100
R5113	22k	47k	47k	47k	22k	47k	47k
R5114	22k	47k	47k	47k	22k	47k	47k
IC4204	NJM12904V	NJM2732V	NJM2732V	NJM2732V	NJM12904V	NJM2732V	NJM2732V
D4101	NM	1SS355	1SS355	NM	NM	1SS355	1SS355
D4201	NM	1SS355	1SS355	NM	NM	1SS355	1SS355
JA4101	AKE7107-A	AKE7108-A	AKE7107-A	AKE7108-A	AKE7107-A	AKE7108-A	AKE7107-A
Q4103	2SC4081 (QRS)	2SC4081 (QRS)	NM	2SC4081 (QRS)	2SC4081 (QRS)	2SC4081 (QRS)	NM
Q4203	2SC4081 (QRS)	2SC4081 (QRS)	NM	2SC4081 (QRS)	2SC4081 (QRS)	2SC4081 (QRS)	NM

10.43 D-AMP_S ASSY (8/10)

3sht	awx1429	awx1430	awx1431	awx1432	awx1433	awx1434	awx1435
C4325	1M	1M	1M	1M	NM	1M	1M
C4326	2.4k	2.4k	2.4k	2.4k	NM	1.8k	1.8k
C4425	1M	1M	1M	1M	NM	1M	1M
C4426	2.4k	2.4k	2.4k	2.4k	NM	1.8k	1.8k
R4302	NM	1	1	NM	NM	1	1
R4308	NM	1	1	NM	NM	1	1
R4309	18k	22k	22k	22k	18k	22k	22k
R4310	10k	9.1k	9.1k	9.1k	10k	9.1k	9.1k
R4319	1k	1k	NM	1k	1k	NM	NM
R4321	15k	15k	NM	15k	15k	15k	NM
R4325	NM	ACN7094-A	ACN7094-A	NM	NM	ACN7094-A	ACN7094-A
R4326	NM	ACN7094-A	ACN7094-A	NM	NM	ACN7094-A	ACN7094-A
R4328	110	120	120	120	110	120	120
R4340	ACN7165-A	47	47	47	ACN7165-A	47	47
R4344	10k	12k	12k	12k	10k	12k	12k
R4349	8.2k	15k	15k	15k	8.2k	15k	15k
R4360	100	120	120	120	100	120	120
R4362	10k	12k	12k	12k	10k	12k	12k
R4380	110	150	150	150	110	150	150
R4382	1	10	10	10	1	10	10
R4383	0	10k	10k	10k	0	10k	10k
R4384	110	150	150	150	110	150	150
R4389	15	100	100	100	15	100	100
R4402	NM	1	1	NM	NM	1	1
R4408	NM	1	1	NM	NM	1	1
R4409	18k	22k	22k	22k	18k	22k	22k
R4410	10k	9.1k	9.1k	9.1k	10k	9.1k	9.1k
R4419	1k	1k	NM	1k	1k	NM	NM
R4421	15k	15k	NM	15k	15k	15k	NM
R4425	NM	ACN7094-A	ACN7094-A	NM	NM	ACN7094-A	ACN7094-A
R4426	NM	ACN7094-A	ACN7094-A	NM	NM	ACN7094-A	ACN7094-A
R4428	110	120	120	120	110	120	120
R4440	ACN7165-A	47	47	47	ACN7165-A	47	47
R4444	10k	12k	12k	12k	10k	12k	12k
R4449	8.2k	15k	15k	15k	8.2k	15k	15k
R4460	100	120	120	120	100	120	120
R4462	10k	12k	12k	12k	10k	12k	12k
R4475	100	120	120	120	100	120	120
R4480	110	150	150	150	110	150	150
R4482	1	10	10	10	1	10	10
R4483	0	10k	10k	10k	0	10k	10k
R4484	110	150	150	150	110	150	150
R4489	15	100	100	100	15	100	100
R4994	0	2.2	2.2	2.2	0	2.2	2.2
R4999	120k	120k	120k	120k	NM	NM	NM
R5118	22k	47k	47k	47k	22k	47k	47k
R5119	22k	47k	47k	47k	22k	47k	47k
TC4404	NJM12904V	NJM2732V	NJM2732V	NJM2732V	NJM12904V	NJM2732V	NJM2732V
D4301	NM	1SS355	1SS355	NM	NM	1SS355	1SS355
D4401	NM	1SS355	1SS355	NM	NM	1SS355	1SS355
JA4301	AKE7109-A	AKE7110-A	AKE7109-A	AKE7110-A	AKE7109-A	AKE7110-A	AKE7109-A
Q4303	2SC4081 (QRS)	2SC4081 (QRS)	NM	2SC4081 (QRS)	2SC4081 (QRS)	2SC4081 (QRS)	NM
Q4403	2SC4081 (QRS)	2SC4081 (QRS)	NM	2SC4081 (QRS)	2SC4081 (QRS)	2SC4081 (QRS)	NM

6sht_2/7	awx1429	awx1430	awx1431	awx1432	awx1433	awx1434	awx1435
C4808	470u/16	470u/16	470u/16	470u/16	NM	NM	NM
C4809	470u/16	470u/16	470u/16	470u/16	NM	NM	NM
C4866	100u/16	100u/16	100u/16	100u/16	NM	NM	NM
C4867	100u/16	100u/16	100u/16	100u/16	NM	NM	NM
C4908	470u/16	470u/16	470u/16	470u/16	NM	NM	NM
C4909	470u/16	470u/16	470u/16	470u/16	NM	NM	NM
R4805	0	0	0	0	NM	NM	NM
R4806	0	0	0	0	NM	NM	NM
R4858	470k	470k	470k	470k	NM	NM	NM
R4871	4.7	4.7	4.7	4.7	NM	NM	NM
R4872	4.7	4.7	4.7	4.7	NM	NM	NM
R4883	0	10k	10k	10k	NM	NM	NM
R4891	NM	NM	NM	NM	NM	NM	NM
R4892	NM	NM	NM	NM	NM	NM	NM
R4905	0	0	0	0	NM	NM	NM
R4906	0	0	0	0	NM	NM	NM
R4958	470k	470k	470k	470k	NM	NM	NM
R4991	NM	NM	NM	NM	NM	NM	NM
R4992	NM	NM	NM	NM	NM	NM	NM



Q8/10 D-AMP_S ASSY(8/10) (AWX1429)

6sht_2/7

	awx1429	awx1430	awx1431	awx1432	awx1433	awx1434	awx1435
CN4800	KM2001B5	KM2001B5	KM2001B5	KM2001B5	NM	NM	NM
TP54	U TESTPOINT 1.2	U TESTPOINT 1.2	U TESTPOINT 1.2	U TESTPOINT 1.2	NM	NM	NM
TP362	U TESTPOINT 1.2	U TESTPOINT 1.2	U TESTPOINT 1.2	U TESTPOINT 1.2	NM	NM	NM
TP363	U TESTPOINT 1.2	U TESTPOINT 1.2	U TESTPOINT 1.2	U TESTPOINT 1.2	NM	NM	NM
TP371	U TESTPOINT 1.2	U TESTPOINT 1.2	U TESTPOINT 1.2	U TESTPOINT 1.2	NM	NM	NM
TP372	U TESTPOINT 1.2	U TESTPOINT 1.2	U TESTPOINT 1.2	U TESTPOINT 1.2	NM	NM	NM
TP499	U TESTPOINT 1.2	U TESTPOINT 1.2	U TESTPOINT 1.2	U TESTPOINT 1.2	NM	NM	NM
TP503	U TESTPOINT 1.2	U TESTPOINT 1.2	U TESTPOINT 1.2	U TESTPOINT 1.2	NM	NM	NM
TP504	U TESTPOINT 1.2	U TESTPOINT 1.2	U TESTPOINT 1.2	U TESTPOINT 1.2	NM	NM	NM

6sht_1/7

	awx1429	awx1430	awx1431	awx1432	awx1433	awx1434	awx1435
C4849	ACH7359-A	ACH7359-A	ACH7359-A	ACH7359-A	NM	NM	NM
C4850	ACH7359-A	ACH7359-A	ACH7359-A	ACH7359-A	NM	NM	NM
C4851	NM	NM	NM	NM	NM	NM	NM
C4852	NM	NM	NM	NM	NM	NM	NM
C4853	NM	NM	NM	NM	NM	NM	NM
C4858	0.01u/50	0.01u/50	0.01u/50	0.01u/50	NM	NM	NM
C4949	ACH7359-A	ACH7359-A	ACH7359-A	ACH7359-A	NM	NM	NM
C4950	ACH7359-A	ACH7359-A	ACH7359-A	ACH7359-A	NM	NM	NM
C4951	NM	NM	NM	NM	NM	NM	NM
C4952	NM	NM	NM	NM	NM	NM	NM
C4953	NM	NM	NM	NM	NM	NM	NM
R4803	10k	10k	10k	10k	NM	NM	NM
R4810	10k	9.1k	9.1k	9.1k	NM	NM	NM
R4825	NM	ACN7094-A	ACN7094-A	NM	NM	NM	NM
R4826	NM	ACN7094-A	ACN7094-A	NM	NM	NM	NM
R4845	4.7k	4.7k	4.7k	4.7k	NM	NM	NM
R4863	2.7k	2.7k	2.7k	2.7k	NM	NM	NM
R4866	10k	10k	10k	10k	NM	NM	NM
R4867	1k	1k	1k	1k	NM	NM	NM
R4868	47k	47k	47k	47k	NM	NM	NM
R4869	39k	39k	39k	39k	NM	NM	NM
R4870	1k	1k	1k	1k	NM	NM	NM
R4875	100	120	120	120	NM	NM	NM
R4887	1M	1M	1M	1M	NM	NM	NM
R4888	1M	1M	1M	1M	NM	NM	NM
R4903	10k	10k	10k	10k	NM	NM	NM
R4910	10k	9.1k	9.1k	9.1k	NM	NM	NM
R4925	NM	ACN7094-A	ACN7094-A	NM	NM	NM	NM
R4926	NM	ACN7094-A	ACN7094-A	NM	NM	NM	NM
R4945	4.7k	4.7k	4.7k	4.7k	NM	NM	NM
R4963	2.7k	2.7k	2.7k	2.7k	NM	NM	NM
R4966	10k	10k	10k	10k	NM	NM	NM
R4967	1k	1k	1k	1k	NM	NM	NM
R4968	47k	47k	47k	47k	NM	NM	NM
R4969	39k	39k	39k	39k	NM	NM	NM
R4970	1k	1k	1k	1k	NM	NM	NM
R4987	1M	1M	1M	1M	NM	NM	NM
R4988	1M	1M	1M	1M	NM	NM	NM
R4881	NTCG104KF104FB	NTCG104KF104FB	NTCG104KF104FB	NTCG104KF104FB	NM	NM	NM
R4981	NTCG104KF104FB	NTCG104KF104FB	NTCG104KF104FB	NTCG104KF104FB	NM	NM	NM
IC4804	NJM12904V	NJM2732V	NJM2732V	NJM2732V	NM	NM	NM
Q4808	2SC4081(QRS)	2SC4081(QRS)	2SC4081(QRS)	2SC4081(QRS)	NM	NM	NM
Q4810	2SA1514K(RS)	2SA1514K(RS)	2SA1514K(RS)	2SA1514K(RS)	NM	NM	NM
Q4811	2SA1576A(QRS)	2SA1576A(QRS)	2SA1576A(QRS)	2SA1576A(QRS)	NM	NM	NM
Q4908	2SC4081(QRS)	2SC4081(QRS)	2SC4081(QRS)	2SC4081(QRS)	NM	NM	NM
Q4910	2SA1514K(RS)	2SA1514K(RS)	2SA1514K(RS)	2SA1514K(RS)	NM	NM	NM
Q4911	2SA1576A(QRS)	2SA1576A(QRS)	2SA1576A(QRS)	2SA1576A(QRS)	NM	NM	NM
TP376	U TESTPOINT 1.2	U TESTPOINT 1.2	U TESTPOINT 1.2	U TESTPOINT 1.2	NM	NM	NM
TP377	U TESTPOINT 1.2	U TESTPOINT 1.2	U TESTPOINT 1.2	U TESTPOINT 1.2	NM	NM	NM
TP379	U TESTPOINT 1.2	U TESTPOINT 1.2	U TESTPOINT 1.2	U TESTPOINT 1.2	NM	NM	NM
TP380	U TESTPOINT 1.2	U TESTPOINT 1.2	U TESTPOINT 1.2	U TESTPOINT 1.2	NM	NM	NM
TP398	U TESTPOINT 1.2	U TESTPOINT 1.2	U TESTPOINT 1.2	U TESTPOINT 1.2	NM	NM	NM
TP399	U TESTPOINT 1.2	U TESTPOINT 1.2	U TESTPOINT 1.2	U TESTPOINT 1.2	NM	NM	NM
TP400	U TESTPOINT 1.2	U TESTPOINT 1.2	U TESTPOINT 1.2	U TESTPOINT 1.2	NM	NM	NM
TP401	U TESTPOINT 1.2	U TESTPOINT 1.2	U TESTPOINT 1.2	U TESTPOINT 1.2	NM	NM	NM
TP402	U TESTPOINT 1.2	U TESTPOINT 1.2	U TESTPOINT 1.2	U TESTPOINT 1.2	NM	NM	NM
TP403	U TESTPOINT 1.2	U TESTPOINT 1.2	U TESTPOINT 1.2	U TESTPOINT 1.2	NM	NM	NM

10.44 D-AMP_S ASSY (9/10)

6sh_t_3/7

	awx1429	awx1430	awx1431	awx1432	awx1433	awx1434	awx1435
C4966	100u/16	100u/16	100u/16	100u/16	NM	NM	NM
C4967	100u/16	100u/16	100u/16	100u/16	NM	NM	NM
R4800	560	560	560	560	NM	NM	NM
R4847	1	1	1	1	NM	NM	NM
R4849	8.2k	15k	15k	15k	NM	NM	NM
R4859	100	100	100	100	NM	NM	NM
R4865	120k	120k	120k	120k	NM	NM	NM
R4876	1k	1k	1k	1k	NM	NM	NM
R4879	120k	120k	120k	120k	NM	NM	NM
R4882	1	10	10	10	NM	NM	NM
R4900	560	560	560	560	NM	NM	NM
R4948	3.9k	3.9k	3.9k	3.9k	NM	NM	NM
R4949	8.2k	15k	15k	15k	NM	NM	NM
R4959	100	100	100	100	NM	NM	NM
R4965	120k	120k	120k	120k	NM	NM	NM
R4971	4.7	4.7	4.7	4.7	NM	NM	NM
R4972	4.7	4.7	4.7	4.7	NM	NM	NM
R4976	1k	1k	1k	1k	NM	NM	NM
R4979	120k	120k	120k	120k	NM	NM	NM
R4982	1	10	10	10	NM	NM	NM
R4983	0	10k	10k	10k	NM	NM	NM
R5121	1	1	1	1	NM	NM	NM
R5133	100k	100k	100k	100k	NM	NM	NM
R5134	33k	33k	33k	33k	NM	NM	NM
R5135	220k	220k	220k	220k	NM	NM	NM
R5136	220k	220k	220k	220k	NM	NM	NM
R5137	22k	47k	47k	47k	NM	NM	NM
R5138	22k	47k	47k	47k	NM	NM	NM
R5148	1	1	1	1	NM	NM	NM
R5150	33k	33k	33k	33k	NM	NM	NM
R5156	1	1	1	1	NM	NM	NM
R5187	100k	100k	100k	100k	NM	NM	NM
R5188	220k	220k	220k	220k	NM	NM	NM
R5189	220k	220k	220k	220k	NM	NM	NM
Q4809	2SD2704K	2SD2704K	2SD2704K	2SD2704K	NM	NM	NM
Q4812	2SC2412K (QRS)	2SC2412K (QRS)	2SC2412K (QRS)	2SC2412K (QRS)	NM	NM	NM
Q4813	2SA1576A (QRS)	2SA1576A (QRS)	2SA1576A (QRS)	2SA1576A (QRS)	NM	NM	NM
Q4814	2SC2412K (QRS)	2SC2412K (QRS)	2SC2412K (QRS)	2SC2412K (QRS)	NM	NM	NM
Q4909	2SD2704K	2SD2704K	2SD2704K	2SD2704K	NM	NM	NM
Q4913	2SA1576A (QRS)	2SA1576A (QRS)	2SA1576A (QRS)	2SA1576A (QRS)	NM	NM	NM
Q5021	2SC2412K (QRS)	2SC2412K (QRS)	2SC2412K (QRS)	2SC2412K (QRS)	NM	NM	NM
Q5022	2SC2412K (QRS)	2SC2412K (QRS)	2SC2412K (QRS)	2SC2412K (QRS)	NM	NM	NM
TP364	U TESTPOINT 1.2	U TESTPOINT 1.2	U TESTPOINT 1.2	U TESTPOINT 1.2	NM	NM	NM
TP365	U TESTPOINT 1.2	U TESTPOINT 1.2	U TESTPOINT 1.2	U TESTPOINT 1.2	NM	NM	NM
TP366	U TESTPOINT 1.2	U TESTPOINT 1.2	U TESTPOINT 1.2	U TESTPOINT 1.2	NM	NM	NM
TP367	U TESTPOINT 1.2	U TESTPOINT 1.2	U TESTPOINT 1.2	U TESTPOINT 1.2	NM	NM	NM
TP368	U TESTPOINT 1.2	U TESTPOINT 1.2	U TESTPOINT 1.2	U TESTPOINT 1.2	NM	NM	NM

6sh_t_4/7

	awx1429	awx1430	awx1431	awx1432	awx1433	awx1434	awx1435
C4819	ACG7110-A	ACG7110-A	ACG7110-A	ACG7110-A	NM	NM	NM
C4820	1000p/50	1000p/50	1000p/50	1000p/50	NM	NM	NM
C4823	1000p/50	1000p/50	1000p/50	1000p/50	NM	NM	NM
C4919	ACG7110-A	ACG7110-A	ACG7110-A	ACG7110-A	NM	NM	NM
C4920	1000p/50	1000p/50	1000p/50	1000p/50	NM	NM	NM
C4923	1000p/50	1000p/50	1000p/50	1000p/50	NM	NM	NM
C4924	NM	NM	NM	NM	NM	NM	NM
R4801	2.7k	2.7k	2.7k	2.7k	NM	NM	NM
R4815	ACN7192-A	ACN7192-A	ACN7192-A	ACN7192-A	NM	NM	NM
R4816	ACN7198-A	ACN7198-A	ACN7198-A	ACN7198-A	NM	NM	NM
R4819	1k	1k	NM	1k	NM	NM	NM
R4820	1k	1k	1k	1k	NM	NM	NM
R4828	110	120	120	120	NM	NM	NM
R4848	3.9k	3.9k	3.9k	3.9k	NM	NM	NM
R4850	220	220	220	220	NM	NM	NM
R4851	22k	22k	22k	22k	NM	NM	NM
R4878	ACN7198-A	ACN7198-A	ACN7198-A	ACN7198-A	NM	NM	NM
R4901	2.7k	2.7k	2.7k	2.7k	NM	NM	NM
R4915	ACN7192-A	ACN7192-A	ACN7192-A	ACN7192-A	NM	NM	NM
R4916	ACN7198-A	ACN7198-A	ACN7198-A	ACN7198-A	NM	NM	NM
R4919	1k	1k	NM	1k	NM	NM	NM
R4920	1k	1k	1k	1k	NM	NM	NM
R4921	15k	15k	NM	15k	NM	NM	NM
R4924	100k	100k	100k	100k	NM	NM	NM
R4950	220	220	220	220	NM	NM	NM
R4978	ACN7198-A	ACN7198-A	ACN7198-A	ACN7198-A	NM	NM	NM
Q4903	2SC4081 (QRS)	2SC4081 (QRS)	NM	2SC4081 (QRS)	NM	NM	NM



Q9/10 D-AMP_S ASSY(9/10) (AWX1429)

6shT_47								
	awx1429	awx1430	awx1431	awx1432	awx1433	awx1434	awx1435	
TP240	U TESTPOINT 1.2	U TESTPOINT 1.2	U TESTPOINT 1.2	U TESTPOINT 1.2	NM	NM	NM	
TP245	U TESTPOINT 1.2	U TESTPOINT 1.2	U TESTPOINT 1.2	U TESTPOINT 1.2	NM	NM	NM	
TP461	U TESTPOINT 1.2	U TESTPOINT 1.2	U TESTPOINT 1.2	U TESTPOINT 1.2	NM	NM	NM	
TP525	U TESTPOINT 1.2	U TESTPOINT 1.2	U TESTPOINT 1.2	U TESTPOINT 1.2	NM	NM	NM	

6shT_57								
	awx1429	awx1430	awx1431	awx1432	awx1433	awx1434	awx1435	
C4805	1000p/50	1000p/50	1000p/50	1000p/50	NM	NM	NM	
C4811	0.01u/16	0.01u/16	0.01u/16	0.01u/16	NM	NM	NM	
C4812	1.0u/50	1.0u/50	1.0u/50	1.0u/50	NM	NM	NM	
C4813	0.1u/50	0.1u/50	0.1u/50	0.1u/50	NM	NM	NM	
C4821	0.01u/16	0.01u/16	0.01u/16	0.01u/16	NM	NM	NM	
C4822	0.01u/16	0.01u/16	0.01u/16	0.01u/16	NM	NM	NM	
C4848	NM	NM	NM	NM	NM	NM	NM	
C4905	1000p/50	1000p/50	1000p/50	1000p/50	NM	NM	NM	
C4911	0.01u/16	0.01u/16	0.01u/16	0.01u/16	NM	NM	NM	
C4912	1.0u/50	1.0u/50	1.0u/50	1.0u/50	NM	NM	NM	
C4913	0.1u/50	0.1u/50	0.1u/50	0.1u/50	NM	NM	NM	
C4921	0.01u/16	0.01u/16	0.01u/16	0.01u/16	NM	NM	NM	
C4922	0.01u/16	0.01u/16	0.01u/16	0.01u/16	NM	NM	NM	
C4948	NM	NM	NM	NM	NM	NM	NM	
C4825	1M	1M	1M	1M	NM	NM	NM	
C4826	2.4k	2.4k	2.4k	2.4k	NM	NM	NM	
C4925	1M	1M	1M	1M	NM	NM	NM	
C4926	2.4k	2.4k	2.4k	2.4k	NM	NM	NM	
R4804	NM	NM	NM	NM	NM	NM	NM	
R4809	18k	22k	22k	22k	NM	NM	NM	
R4821	15k	15k	NM	15k	NM	NM	NM	
R4827	100k	100k	100k	100k	NM	NM	NM	
R4829	1.8k	1.8k	1.8k	1.8k	NM	NM	NM	
R4830	10k	10k	10k	10k	NM	NM	NM	
R4831	7.5k	7.5k	7.5k	7.5k	NM	NM	NM	
R4840	ACN7165-A	47	47	47	NM	NM	NM	
R4844	10k	12k	12k	12k	NM	NM	NM	
R4860	100	120	120	120	NM	NM	NM	
R4862	10k	12k	12k	12k	NM	NM	NM	
R4877	ACN7197-A	ACN7197-A	ACN7197-A	ACN7197-A	NM	NM	NM	
R4880	110	150	150	150	NM	NM	NM	
R4884	110	150	150	150	NM	NM	NM	
R4885	100k	100k	100k	100k	NM	NM	NM	
R4889	15	100	100	100	NM	NM	NM	
R4890	12	12	12	12	NM	NM	NM	
R4904	NM	NM	NM	NM	NM	NM	NM	
R4909	18k	22k	22k	22k	NM	NM	NM	
R4927	100k	100k	100k	100k	NM	NM	NM	
R4928	110	120	120	120	NM	NM	NM	
R4929	1.8k	1.8k	1.8k	1.8k	NM	NM	NM	
R4930	10k	10k	10k	10k	NM	NM	NM	
R4931	7.5k	7.5k	7.5k	7.5k	NM	NM	NM	
R4940	ACN7165-A	47	47	47	NM	NM	NM	
R4944	10k	12k	12k	12k	NM	NM	NM	
R4960	100	120	120	120	NM	NM	NM	
R4962	10k	12k	12k	12k	NM	NM	NM	
R4977	ACN7197-A	ACN7197-A	ACN7197-A	ACN7197-A	NM	NM	NM	
R4980	110	150	150	150	NM	NM	NM	
R4984	110	150	150	150	NM	NM	NM	
R4985	100k	100k	100k	100k	NM	NM	NM	
R4989	15	100	100	100	NM	NM	NM	
R4990	12	12	12	12	NM	NM	NM	
IC4801	IRS2092SPBF	IRS2092SPBF	IRS2092SPBF	IRS2092SPBF	NM	NM	NM	
IC4803	NJM2830U1-12	NJM2830U1-12	NJM2830U1-12	NJM2830U1-12	NM	NM	NM	
IC4901	IRS2092SPBF	IRS2092SPBF	IRS2092SPBF	IRS2092SPBF	NM	NM	NM	
IC4902	NJM2830U1-12	NJM2830U1-12	NJM2830U1-12	NJM2830U1-12	NM	NM	NM	
Q4805	2SC4081(QRS)	2SC4081(QRS)	2SC4081(QRS)	2SC4081(QRS)	NM	NM	NM	
Q4806	2SA1576A(QRS)	2SA1576A(QRS)	2SA1576A(QRS)	2SA1576A(QRS)	NM	NM	NM	
Q4807	2SA1576A(QRS)	2SA1576A(QRS)	2SA1576A(QRS)	2SA1576A(QRS)	NM	NM	NM	
Q4905	2SC4081(QRS)	2SC4081(QRS)	2SC4081(QRS)	2SC4081(QRS)	NM	NM	NM	
Q4907	2SA1576A(QRS)	2SA1576A(QRS)	2SA1576A(QRS)	2SA1576A(QRS)	NM	NM	NM	
TP255	U TESTPOINT 1.2	U TESTPOINT 1.2	U TESTPOINT 1.2	U TESTPOINT 1.2	NM	NM	NM	
TP272	U TESTPOINT 1.2	U TESTPOINT 1.2	U TESTPOINT 1.2	U TESTPOINT 1.2	NM	NM	NM	
TP425	U TESTPOINT 1.2	U TESTPOINT 1.2	U TESTPOINT 1.2	U TESTPOINT 1.2	NM	NM	NM	
TP429	U TESTPOINT 1.2	U TESTPOINT 1.2	U TESTPOINT 1.2	U TESTPOINT 1.2	NM	NM	NM	
TP434	U TESTPOINT 1.2	U TESTPOINT 1.2	U TESTPOINT 1.2	U TESTPOINT 1.2	NM	NM	NM	
TP442	U TESTPOINT 1.2	U TESTPOINT 1.2	U TESTPOINT 1.2	U TESTPOINT 1.2	NM	NM	NM	
TP533	U TESTPOINT 1.2	U TESTPOINT 1.2	U TESTPOINT 1.2	U TESTPOINT 1.2	NM	NM	NM	
TP534	U TESTPOINT 1.2	U TESTPOINT 1.2	U TESTPOINT 1.2	U TESTPOINT 1.2	NM	NM	NM	

10.45 D-AMP_S ASSY (10/10)

6sh7_777	awx1429	awx1430	awx1431	awx1432	awx1433	awx1434	awx1435
C4800	0.1u/100	0.1u/100	0.1u/100	0.1u/100	NM	NM	NM
C4801	0.47u/100	0.47u/100	0.47u/100	0.47u/100	NM	NM	NM
C4856	0.047u/50	0.047u/50	0.047u/50	0.047u/50	NM	NM	NM
C4857	NM	NM	NM	NM	NM	NM	NM
C4879	NM	NM	NM	NM	NM	NM	NM
C4880	ACE7090-A	ACE7090-A	ACE7090-A	ACE7090-A	NM	NM	NM
C4881	NM	NM	NM	NM	NM	NM	NM
C4882	ACE7090-A	ACE7090-A	ACE7090-A	ACE7090-A	NM	NM	NM
C4900	0.1u/100	0.1u/100	0.1u/100	0.1u/100	NM	NM	NM
C4901	0.47u/100	0.47u/100	0.47u/100	0.47u/100	NM	NM	NM
C4910	10u/50	10u/50	10u/50	10u/50	NM	NM	NM
C4956	0.047u/50	0.047u/50	0.047u/50	0.047u/50	NM	NM	NM
C4957	NM	NM	NM	NM	NM	NM	NM
C4979	NM	NM	NM	NM	NM	NM	NM
C4980	ACE7090-A	ACE7090-A	ACE7090-A	ACE7090-A	NM	NM	NM
C4981	NM	NM	NM	NM	NM	NM	NM
C4982	ACE7090-A	ACE7090-A	ACE7090-A	ACE7090-A	NM	NM	NM
R4807	1M	1M	1M	1M	0	0	0
R4811	2.2	2.2	2.2	2.2	NM	NM	NM
R4812	2.2	2.2	2.2	2.2	NM	NM	NM
R4813	2.2	2.2	2.2	2.2	NM	NM	NM
R4814	2.2	2.2	2.2	2.2	NM	NM	NM
R4822	ACN7196-A	ACN7196-A	ACN7196-A	ACN7196-A	0	0	0
R4823	ACN7196-A	ACN7196-A	ACN7196-A	ACN7196-A	NM	NM	NM
R4852	68k	68k	68k	68k	NM	NM	NM
R4853	22k	22k	22k	22k	NM	NM	NM
R4854	ACN7186-A	ACN7186-A	ACN7186-A	ACN7186-A	NM	NM	NM
R4855	47k	47k	47k	47k	NM	NM	NM
R4856	8.2k	8.2k	8.2k	8.2k	NM	NM	NM
R4857	68k	68k	68k	68k	NM	NM	NM
R4907	1M	1M	1M	1M	0	0	0
R4911	2.2	2.2	2.2	2.2	NM	NM	NM
R4912	2.2	2.2	2.2	2.2	NM	NM	NM
R4913	2.2	2.2	2.2	2.2	NM	NM	NM
R4914	2.2	2.2	2.2	2.2	NM	NM	NM
R4922	ACN7196-A	ACN7196-A	ACN7196-A	ACN7196-A	0	0	0
R4923	ACN7196-A	ACN7196-A	ACN7196-A	ACN7196-A	NM	NM	NM
R4952	68k	68k	68k	68k	NM	NM	NM
R4953	22k	22k	22k	22k	NM	NM	NM
R4954	ACN7186-A	ACN7186-A	ACN7186-A	ACN7186-A	NM	NM	NM
R4955	47k	47k	47k	47k	NM	NM	NM
R4956	8.2k	8.2k	8.2k	8.2k	NM	NM	NM
R4957	68k	68k	68k	68k	NM	NM	NM
R4961	0	0	0	0	NM	NM	NM
R4973	39	39	39	39	NM	NM	NM
R4974	47	47	47	47	NM	NM	NM
R4975	10	10	10	10	NM	NM	NM
L4800	ATH7090-A	ATH7090-A	ATH7090-A	ATH7090-A	NM	NM	NM
L4900	ATH7090-A	ATH7090-A	ATH7090-A	ATH7090-A	NM	NM	NM
D4808	RF101L2S	RF101L2S	RF101L2S	RF101L2S	NM	NM	NM
D4809	RF101L2S	RF101L2S	RF101L2S	RF101L2S	NM	NM	NM
D4819	1S8355	1S8355	1S8355	1S8355	NM	NM	NM
D4908	RF101L2S	RF101L2S	RF101L2S	RF101L2S	NM	NM	NM
D4909	RF101L2S	RF101L2S	RF101L2S	RF101L2S	NM	NM	NM
D4919	1S8355	1S8355	1S8355	1S8355	NM	NM	NM
JA4901	AKE7109-A	AKE7110-A	AKE7109-A	AKE7110-A	NM	NM	NM
KN4900	VNE1948-A	VNE1948-A	VNE1948-A	VNE1948-A	NM	NM	NM
Q4804	2SC4081 (QRS)	2SC4081 (QRS)	2SC4081 (QRS)	2SC4081 (QRS)	NM	NM	NM
Q4904	2SC4081 (QRS)	2SC4081 (QRS)	2SC4081 (QRS)	2SC4081 (QRS)	NM	NM	NM
Q4912	2SC2412K (QRS)	2SC2412K (QRS)	2SC2412K (QRS)	2SC2412K (QRS)	NM	NM	NM
RY4900	XSR3015-B	XSR3015-B	XSR3015-B	XSR3015-B	NM	NM	NM
TP369	U TESTPOINT 1.2	U TESTPOINT 1.2	U TESTPOINT 1.2	U TESTPOINT 1.2	NM	NM	NM
TP370	U TESTPOINT 1.2	U TESTPOINT 1.2	U TESTPOINT 1.2	U TESTPOINT 1.2	NM	NM	NM
TP375	U TESTPOINT 1.2	U TESTPOINT 1.2	U TESTPOINT 1.2	U TESTPOINT 1.2	NM	NM	NM
TP382	U TESTPOINT 1.2	U TESTPOINT 1.2	U TESTPOINT 1.2	U TESTPOINT 1.2	NM	NM	NM
TP383	U TESTPOINT 1.2	U TESTPOINT 1.2	U TESTPOINT 1.2	U TESTPOINT 1.2	NM	NM	NM
TP384	U TESTPOINT 1.2	U TESTPOINT 1.2	U TESTPOINT 1.2	U TESTPOINT 1.2	NM	NM	NM
TP385	U TESTPOINT 1.2	U TESTPOINT 1.2	U TESTPOINT 1.2	U TESTPOINT 1.2	NM	NM	NM
TP386	U TESTPOINT 1.2	U TESTPOINT 1.2	U TESTPOINT 1.2	U TESTPOINT 1.2	NM	NM	NM
TP387	U TESTPOINT 1.2	U TESTPOINT 1.2	U TESTPOINT 1.2	U TESTPOINT 1.2	NM	NM	NM
TP388	U TESTPOINT 1.2	U TESTPOINT 1.2	U TESTPOINT 1.2	U TESTPOINT 1.2	NM	NM	NM
TP389	U TESTPOINT 1.2	U TESTPOINT 1.2	U TESTPOINT 1.2	U TESTPOINT 1.2	NM	NM	NM
TP390	U TESTPOINT 1.2	U TESTPOINT 1.2	U TESTPOINT 1.2	U TESTPOINT 1.2	NM	NM	NM
TP392	U TESTPOINT 1.2	U TESTPOINT 1.2	U TESTPOINT 1.2	U TESTPOINT 1.2	NM	NM	NM
TP394	U TESTPOINT 1.2	U TESTPOINT 1.2	U TESTPOINT 1.2	U TESTPOINT 1.2	NM	NM	NM
TP395	U TESTPOINT 1.2	U TESTPOINT 1.2	U TESTPOINT 1.2	U TESTPOINT 1.2	NM	NM	NM
TP396	U TESTPOINT 1.2	U TESTPOINT 1.2	U TESTPOINT 1.2	U TESTPOINT 1.2	NM	NM	NM
TP397	U TESTPOINT 1.2	U TESTPOINT 1.2	U TESTPOINT 1.2	U TESTPOINT 1.2	NM	NM	NM

Q10/10 D-AMP_S ASSY(10/10) (AWX1429)

6sh_t_6/7

	awx1429	awx1430	awx1431	awx1432	awx1433	awx1434	awx1435
C4834	ACH7376-A	ACH7376-A	ACH7376-A	ACH7376-A	NM	NM	NM
C4836	ACH7376-A	ACH7376-A	ACH7376-A	ACH7376-A	NM	NM	NM
C4847	NM	NM	NM	NM	NM	NM	NM
C4859	ACG7107-A	ACG7107-A	ACG7107-A	ACG7107-A	NM	NM	NM
C4860	ACG7107-A	ACG7107-A	ACG7107-A	ACG7107-A	NM	NM	NM
C4861	ACG7105-A	ACG7105-A	ACG7105-A	ACG7105-A	NM	NM	NM
C4875	ACG7105-A	ACG7105-A	ACG7105-A	ACG7105-A	NM	NM	NM
C4934	ACH7376-A	ACH7376-A	ACH7376-A	ACH7376-A	NM	NM	NM
C4936	ACH7376-A	ACH7376-A	ACH7376-A	ACH7376-A	NM	NM	NM
C4947	NM	NM	NM	NM	NM	NM	NM
C4959	ACG7107-A	ACG7107-A	ACG7107-A	ACG7107-A	NM	NM	NM
C4960	ACG7107-A	ACG7107-A	ACG7107-A	ACG7107-A	NM	NM	NM
C4961	ACG7105-A	ACG7105-A	ACG7105-A	ACG7105-A	NM	NM	NM
C4975	ACG7105-A	ACG7105-A	ACG7105-A	ACG7105-A	NM	NM	NM
R4802	NM	1	1	NM	NM	NM	NM
R4808	NM	1	1	NM	NM	NM	NM
R4832	8.2k	8.2k	8.2k	8.2k	NM	NM	NM
R4833	ACN7197-A	ACN7197-A	ACN7197-A	ACN7197-A	NM	NM	NM
R4834	10k	10k	10k	10k	NM	NM	NM
R4835	7.5k	7.5k	7.5k	7.5k	NM	NM	NM
R4836	2.4k	2.4k	2.4k	2.4k	NM	NM	NM
R4837	ACN7165-A	ACN7165-A	ACN7165-A	ACN7165-A	NM	NM	NM
R4839	10	10	10	10	NM	NM	NM
R4841	ACN7165-A	ACN7165-A	ACN7165-A	ACN7165-A	NM	NM	NM
R4842	ACN7189-B	ACN7189-B	ACN7189-B	ACN7189-B	NM	NM	NM
R4843	ACN7189-B	ACN7189-B	ACN7189-B	ACN7189-B	NM	NM	NM
R4886	0.47	0.47	0.47	0.47	NM	NM	NM
R4895	0.47	0.47	0.47	0.47	NM	NM	NM
R4896	0.47	0.47	0.47	0.47	NM	NM	NM
R4897	0.47	0.47	0.47	0.47	NM	NM	NM
R4898	0.47	0.47	0.47	0.47	NM	NM	NM
R4902	NM	1	1	NM	NM	NM	NM
R4908	NM	1	1	NM	NM	NM	NM
R4932	8.2k	8.2k	8.2k	8.2k	NM	NM	NM
R4933	ACN7197-A	ACN7197-A	ACN7197-A	ACN7197-A	NM	NM	NM
R4934	10k	10k	10k	10k	NM	NM	NM
R4935	7.5k	7.5k	7.5k	7.5k	NM	NM	NM
R4936	2.4k	2.4k	2.4k	2.4k	NM	NM	NM
R4937	ACN7165-A	ACN7165-A	ACN7165-A	ACN7165-A	NM	NM	NM
R4939	10	10	10	10	NM	NM	NM
R4941	ACN7165-A	ACN7165-A	ACN7165-A	ACN7165-A	NM	NM	NM
R4942	ACN7189-B	ACN7189-B	ACN7189-B	ACN7189-B	NM	NM	NM
R4943	ACN7189-B	ACN7189-B	ACN7189-B	ACN7189-B	NM	NM	NM
R4986	0.47	0.47	0.47	0.47	NM	NM	NM
R4995	0.47	0.47	0.47	0.47	NM	NM	NM
R4996	0.47	0.47	0.47	0.47	NM	NM	NM
R4997	0.47	0.47	0.47	0.47	NM	NM	NM
R4998	0.47	0.47	0.47	0.47	NM	NM	NM
D4801	NM	1SS355	1SS355	NM	NM	NM	NM
D4817	RF071M2S	RF071M2S	RF071M2S	RF071M2S	NM	NM	NM
D4901	NM	1SS355	1SS355	NM	NM	NM	NM
D4917	RF071M2S	RF071M2S	RF071M2S	RF071M2S	NM	NM	NM
Q4801	IRF6775MPBF	IRF6775MPBF	IRF6775MPBF	IRF6775MPBF	NM	NM	NM
Q4802	IRF6775MPBF	IRF6775MPBF	IRF6775MPBF	IRF6775MPBF	NM	NM	NM
Q4901	IRF6775MPBF	IRF6775MPBF	IRF6775MPBF	IRF6775MPBF	NM	NM	NM
Q4902	IRF6775MPBF	IRF6775MPBF	IRF6775MPBF	IRF6775MPBF	NM	NM	NM
TP282	U TESTPOINT 1.2	U TESTPOINT 1.2	U TESTPOINT 1.2	U TESTPOINT 1.2	NM	NM	NM
TP287	U TESTPOINT 1.2	U TESTPOINT 1.2	U TESTPOINT 1.2	U TESTPOINT 1.2	NM	NM	NM
TP292	U TESTPOINT 1.2	U TESTPOINT 1.2	U TESTPOINT 1.2	U TESTPOINT 1.2	NM	NM	NM
TP297	U TESTPOINT 1.2	U TESTPOINT 1.2	U TESTPOINT 1.2	U TESTPOINT 1.2	NM	NM	NM
TP307	U TESTPOINT 1.2	U TESTPOINT 1.2	U TESTPOINT 1.2	U TESTPOINT 1.2	NM	NM	NM
TP315	U TESTPOINT 1.2	U TESTPOINT 1.2	U TESTPOINT 1.2	U TESTPOINT 1.2	NM	NM	NM
TP319	U TESTPOINT 1.2	U TESTPOINT 1.2	U TESTPOINT 1.2	U TESTPOINT 1.2	NM	NM	NM
TP323	U TESTPOINT 1.2	U TESTPOINT 1.2	U TESTPOINT 1.2	U TESTPOINT 1.2	NM	NM	NM
TP327	U TESTPOINT 1.2	U TESTPOINT 1.2	U TESTPOINT 1.2	U TESTPOINT 1.2	NM	NM	NM
TP331	U TESTPOINT 1.2	U TESTPOINT 1.2	U TESTPOINT 1.2	U TESTPOINT 1.2	NM	NM	NM

10.46 PRIMARY ASSY (1/2)

1 2 3 4

A
B
C
D
E
F

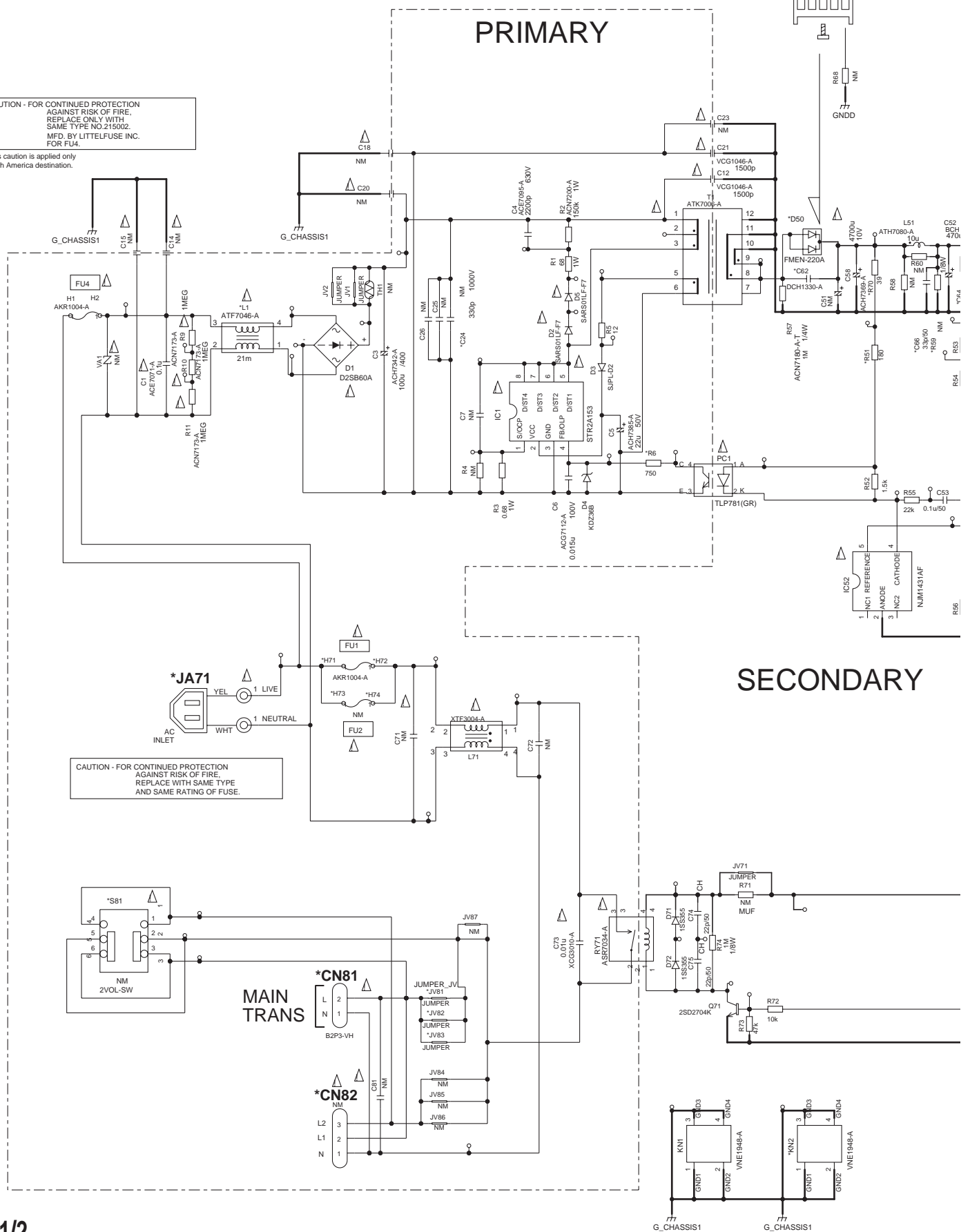
CAUTION - FOR CONTINUED PROTECTION AGAINST RISK OF FIRE, REPLACE ONLY WITH SAME TYPE NO.215002. MFD. BY LITTELFUSE INC. FOR FU4.

This caution is applied only north America destination.

Heat Sink for D50
ANH7224-A
with BBZ30P080FCC

PRIMARY

SECONDARY

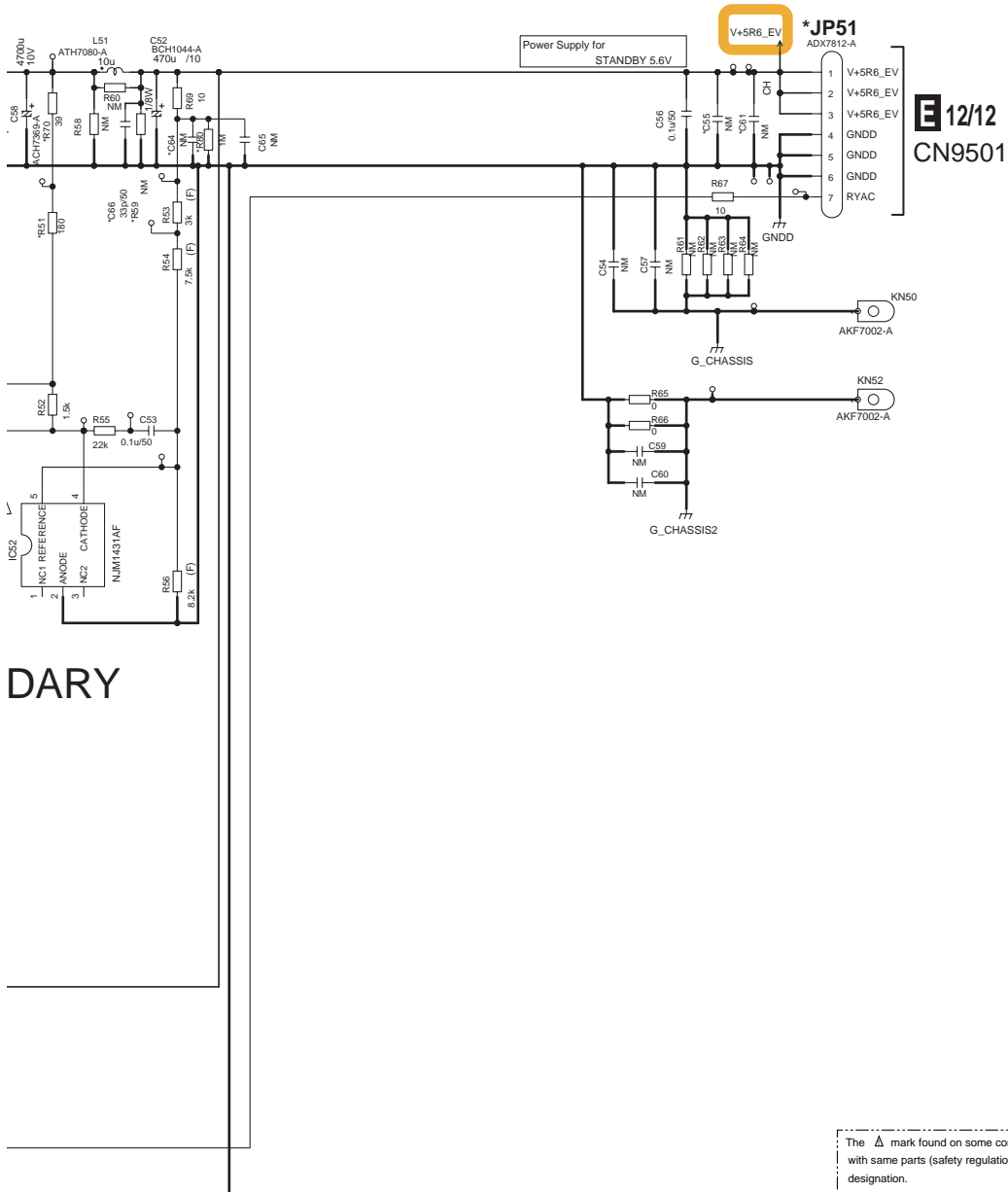


R1/2

1 2 3 4

R1/2 PRIMARY ASSY(1/2) (AWX1614)

C
NM
77
IDD



DARY

VNE1948-A

The Δ mark found on some component parts should be replaced with same parts (safety regulation authorized) of identical designation.

NOTE
 1. RESISTORS
 Unit: k- Ω , M-M Ω or Ω unless otherwise noted.
 Rated Power: 1/10w unless otherwise noted.
 Tolerance: (J)5% unless otherwise noted.
 MUF: RD14MUF
 2. CAPACITORS
 Unit: p-pF or u-uF unless otherwise noted.
 Ratings: Capacity(F)/Voltage(V) unless otherwise noted.
 CH: CCSRCH, CFTLA: CFTLA
 AK: CEAK
 NO MARKED: CKSRYB or CEAT
 3. NM: No Mount

10.47 PRIMARY ASSY (2/2)

A

B

C

D

E

F

	AWX1394	AWX1447	AWX1448	AWX1449	AWX1450	AWX1451	AWX1614	AWX1615	AWX1466	AWX1616
C24	NM	NM	NM	NM	NM	NM	NM	NM	NM	NM
C55	330p/50	NM	NM	NM	NM	NM	330p/50	NM	NM	NM
C61	10p/50	10p/50	10p/50	10p/50	10p/50	10p/50	10p/50	NM	NM	NM
C62	NM	DCH1330-A	DCH1330-A	DCH1330-A	DCH1330-A	DCH1330-A	NM	DCH1330-A	DCH1330-A	DCH1330-A
C64	NM	NM	NM	NM	NM	NM	NM	NM	NM	NM
C66	NM	33p/50	33p/50	33p/50	33p/50	33p/50	NM	33p/50	33p/50	33p/50
R6	470	1k	1k	1k	1k	1k	470	750	750	750
R51	220	180	180	180	180	180	220	180	180	180
R59	3.6M	NM	NM	NM	NM	NM	3.6M	NM	NM	NM
R70	0	39	39	39	39	39	0	39	39	39
R80	NM	1M	1M	1M	1M	1M	NM	1M	1M	1M
L1	ATF7046-A Δ	ATF7050-A Δ	ATF7046-A Δ	ATF7050-A Δ	ATF7046-A Δ	ATF7050-A Δ	ATF7046-A Δ	ATF7050-A Δ	ATF7046-A Δ	ATF7050-A Δ
CN81	B2P3-VH Δ	NM	B2P3-VH Δ	NM	NM	NM	B2P3-VH Δ	NM	B2P3-VH Δ	NM
CN82	NM	B3P5-VH Δ	NM	B3P5-VH Δ	B3P5-VH Δ	B3P5-VH Δ	NM	B3P5-VH Δ	NM	B3P5-VH Δ
D50	FMW-2206	FMEN-220A	FMEN-220A	FMEN-220A	FMEN-220A	FMEN-220A	FMEN-220A	FMEN-220A	FMEN-220A	FMEN-220A
H71	AKR1004-A	AKR1004-A	NM	AKR1004-A	AKR1004-A	AKR1004-A	AKR1004-A	AKR1004-A	AKR1004-A	AKR1004-A
H72	AKR1004-A	AKR1004-A	NM	AKR1004-A	AKR1004-A	AKR1004-A	AKR1004-A	AKR1004-A	AKR1004-A	AKR1004-A
H73	NM	NM	AKR7004-A	NM	NM	NM	NM	NM	NM	NM
H74	NM	NM	AKR7004-A	NM	NM	NM	NM	NM	NM	NM
JA71	ADX7513-A Δ	ADX7513-A Δ	ADX7513-A Δ	ADX7513-A Δ	ADX7513-A Δ	ADX7464-B Δ	ADX7513-A Δ	ADX7513-A Δ	ADX7513-A Δ	ADX7513-A Δ
JA71 1	ADX7513-A Δ	ADX7513-A Δ	ADX7513-A Δ	ADX7513-A Δ	ADX7513-A Δ	ADX7464-B Δ	ADX7513-A Δ	ADX7513-A Δ	ADX7513-A Δ	ADX7513-A Δ
JP51	ADX7812-A	ADX7812-A	ADX7812-A	ADX7812-A	ADX7812-A	ADX7812-A	ADX7812-A	ADX7812-A	ADX7812-A	ADX7812-A
JV81	JUMPER	JUMPER	JUMPER	NM	JUMPER	JUMPER	JUMPER	JUMPER	JUMPER	NM
JV82	JUMPER	JUMPER	JUMPER	NM	JUMPER	JUMPER	JUMPER	JUMPER	JUMPER	NM
JV83	JUMPER	JUMPER	JUMPER	NM	JUMPER	JUMPER	JUMPER	JUMPER	JUMPER	NM
KN2	VNE1948-A	VNE1948-A	VNE1948-A	NM	VNE1948-A	VNE1948-A	VNE1948-A	VNE1948-A	VNE1948-A	NM
S81	NM	NM	NM	AKX7020-A Δ	NM	NM	NM	NM	NM	AKX7020-A



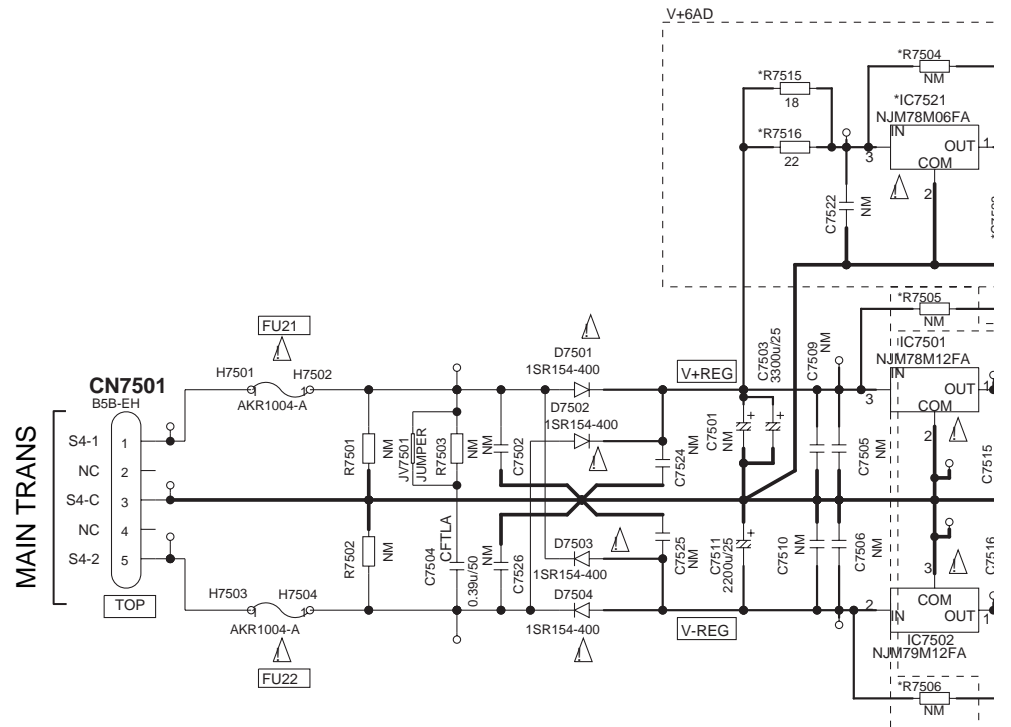
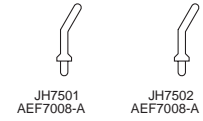
R2/2 PRIMARY ASSY(2/2) (AWX1614)

WX1466	AWX1616	AWX1617	AWX1618	AWX1460	AWX1461	AWX1467	AWX1640	AWX1641	AWX1468	AWX1469
	NM	NM	NM	NM	NM	NM	NM	NM	NM	ACG7106-A
	NM	NM	NM	330p/50	330p/50	NM	330p/50	330p/50	330p/50	330p/50
	NM	NM	NM	10p/50	10p/50	NM	10p/50	10p/50	10p/50	10p/50
1330-A	DCH1330-A	DCH1330-A	DCH1330-A	NM	NM	DCH1330-A	NM	NM	NM	NM
	NM	NM	NM	NM	NM	NM	NM	NM	NM	NM
/50	33p/50	33p/50	33p/50	NM	33p/50	33p/50	NM	NM	NM	NM
	750	750	750	470	470	750	470	470	470	470
	180	180	180	220	220	180	220	220	220	220
	NM	NM	NM	3.6M	NM	NM	3.6M	3.6M	3.6M	3.6M
	39	39	39	0	0	39	0	0	0	0
	1M	1M	1M	NM	1M	1M	NM	NM	NM	NM
7046-A	ATF7050-A	ATF7046-A	ATF7050-A	ATF7046-A	ATF7050-A	ATF7046-A	ATF7046-A	ATF7050-A	ATF7050-A	ATF7050-A
3-VH	NM	NM	NM	B2P3-VH	NM	B2P3-VH	B2P3-VH	NM	NM	NM
	B3P5-VH	B3P5-VH	B3P5-VH	NM	B3P5-VH	NM	NM	B3P5-VH	B3P5-VH	B3P5-VH
N-220A	FMEN-220A	FMEN-220A	FMEN-220A	FMEN-220A	FMEN-220A	FMEN-220A	FMEN-220A	FMEN-220A	FMEN-220A	FMEN-220A
1004-A	AKR1004-A	AKR1004-A	AKR1004-A	AKR1004-A	AKR1004-A	AKR1004-A	AKR1004-A	AKR1004-A	AKR1004-A	AKR1004-A
1004-A	AKR1004-A	AKR1004-A	AKR1004-A	AKR1004-A	AKR1004-A	AKR1004-A	AKR1004-A	AKR1004-A	AKR1004-A	AKR1004-A
	NM	NM	NM	NM	NM	NM	NM	NM	NM	NM
	NM	NM	NM	NM	NM	NM	NM	NM	NM	NM
7513-A	ADX7513-A	ADX7513-A	ADX7464-B	ADX7513-A	ADX7513-A	ADX7513-A	ADX7513-A	ADX7513-A	ADX7513-A	ADX7464-B
7513-A	ADX7513-A	ADX7513-A	ADX7464-B	ADX7513-A	ADX7513-A	ADX7513-A	ADX7513-A	ADX7513-A	ADX7513-A	ADX7464-B
7812-A	ADX7812-A	ADX7812-A	ADX7812-A	ADX7792-A	ADX7792-A	ADX7792-A	ADX7792-A	ADX7792-A	ADX7792-A	ADX7792-A
IPER	NM	JUMPER	JUMPER	JUMPER	JUMPER	JUMPER	JUMPER	JUMPER	NM	JUMPER
IPER	NM	JUMPER	JUMPER	JUMPER	JUMPER	JUMPER	JUMPER	JUMPER	NM	JUMPER
IPER	NM	JUMPER	JUMPER	JUMPER	JUMPER	JUMPER	JUMPER	JUMPER	NM	JUMPER
1948-A	NM	VNE1948-A	VNE1948-A	VNE1948-A	VNE1948-A	VNE1948-A	VNE1948-A	VNE1948-A	NM	VNE1948-A
	AKX7020-A	NM	NM	NM	NM	NM	NM	NM	AKX7020-A	NM

The Δ mark found on some component parts should be replaced with same parts (safety regulation authorized) of identical designation.

NOTE
 1. RESISTORS
 Unit: k- Ω , M-M Ω or Ω unless otherwise noted.
 Rated Power: 1/10w unless otherwise noted.
 Tolerance: (J)5% unless otherwise noted.
 MUF: RD1/AMUF
 2. CAPACITORS
 Unit: p-pF or u-uF unless otherwise noted.
 Ratings: Capacity(F)/Voltage(V) unless otherwise noted.
 CH: CCSRCH, CFTLA: CFTLA
 AK: CEAK
 NO MARKED: CKSRBY or CEAT
 3. NM: No Mount

10.48 A-REG_S ASSY



	AWX1401	AWX1596	AWX1597	AWX1452	AWX1598	AWX1599
C7523	100u/35	100u/35	100u/35	NM	NM	NM
R7504	NM	22k	NM	NM	NM	NM
R7515	18	18	18	NM	NM	NM
R7516	22	22	22	NM	NM	NM
IC7521	NJM78M06FA	NJM78M06FA	NJM78M06FA	NM	NM	NM
R7505	NM	27k	NM	NM	27k	NM
R7506	NM	27k	NM	NM	27k	NM
R7513	1M	NM	1M	1M	NM	1M
D7506	NM	1S8355	NM	1S8355	1S8355	NM
D7507	NM	1S8355	NM	1S8355	1S8355	NM

S A-REG_S ASSY (AWX1596)

A

B

C

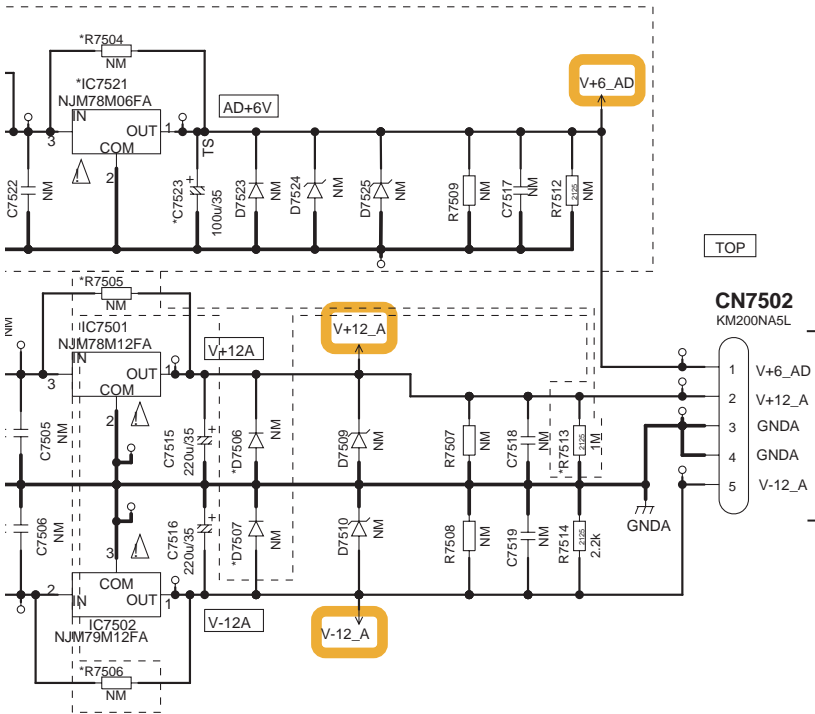
D

E

F



JH7502
7008-A



The Δ mark found on some component parts should be replaced with same parts (safety regulation authorized) of identical designation.

NOTE

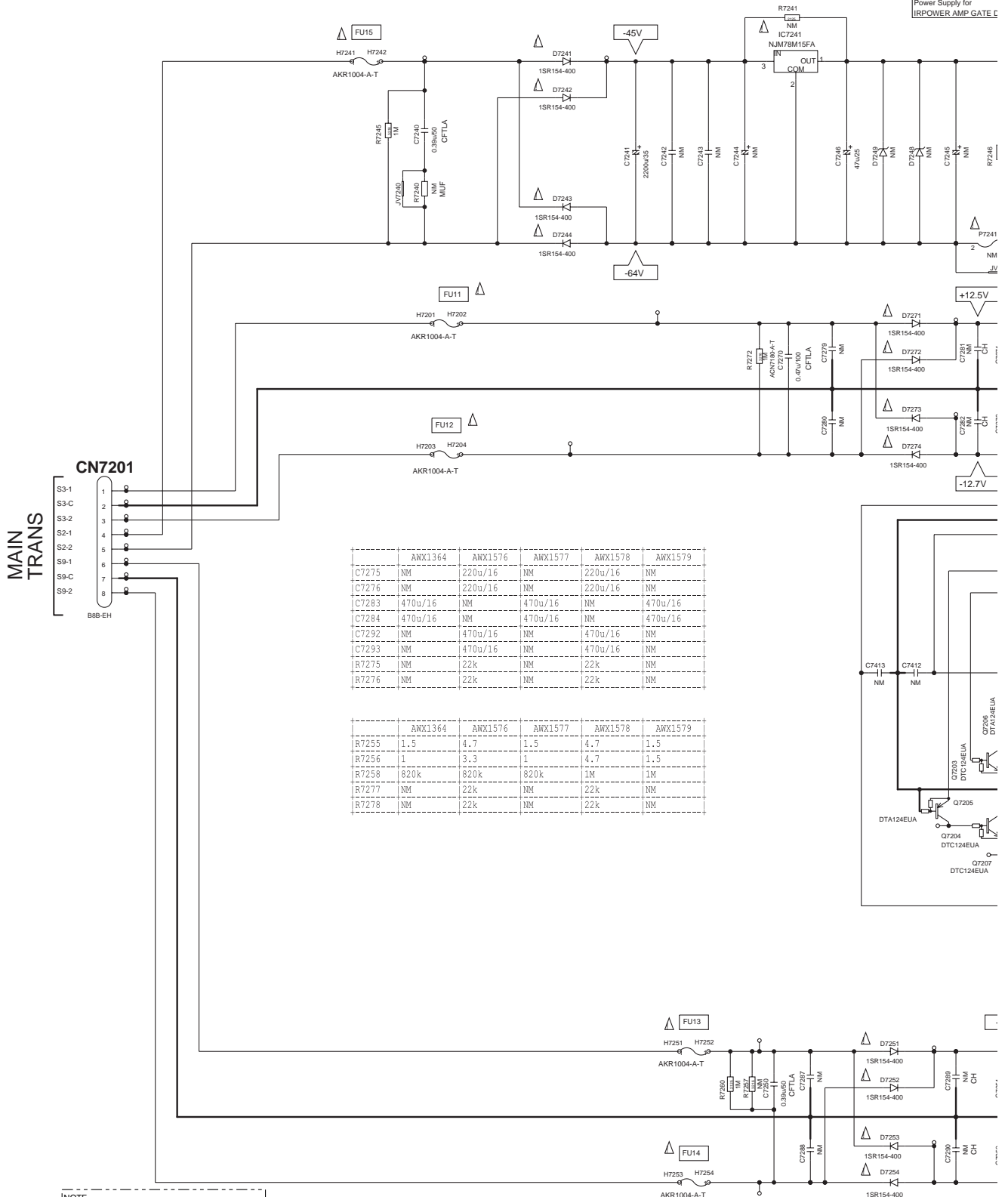
1. RESISTORS
 Unit: k-k Ω , M-M Ω or Ω unless otherwise noted.
 Rated power: 1/10W unless otherwise noted.
 Tolerance: (J) \pm 5% unless otherwise noted.
 2125 : RS1/BSQ
 MUF : RS14MUF

2. CAPACITORS
 Unit: p-pF, or μ F unless otherwise noted.
 Ratings: Capacity (μ F)/Voltage(V) unless otherwise noted.
 NP : CEANP
 CFTLA : CFTLA
 AK : CEAK
 NO MARKED : CEAT or CKSRBY

3. NM : NO MOUNT



10.49 IR REG_S ASSY (1/2)



NOTE
 1. RESISTORS
 Unit: k-Ω, M-Ω or Ω unless otherwise noted.
 Rated Power: 1/10W unless otherwise noted.
 Tolerance: (J)5% unless otherwise noted.
 MUF: RD14MUF
 2125: RS18SQ
 3216: RS1ASA
 2. CAPACITORS
 Unit: p-pF or u-UF unless otherwise noted.
 Ratings: Capacity(F)/Voltage(V) unless otherwise noted.
 CH: CCSRCH, CFTLA: CFTLA
 NO MARKED: CKSRBYB or CEAK
 3. NM: No Mount

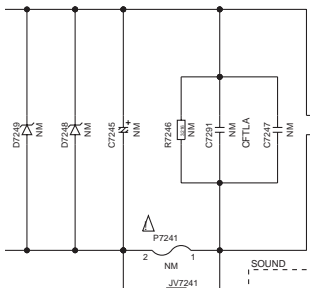
	AWX1364	AWX1576	AWX1577	AWX1578	AWX1579
C7275	NM	220u/16	NM	220u/16	NM
C7276	NM	220u/16	NM	220u/16	NM
C7283	470u/16	NM	470u/16	NM	470u/16
C7284	470u/16	NM	470u/16	NM	470u/16
C7292	NM	470u/16	NM	470u/16	NM
C7293	NM	470u/16	NM	470u/16	NM
R7275	NM	22k	NM	22k	NM
R7276	NM	22k	NM	22k	NM

	AWX1364	AWX1576	AWX1577	AWX1578	AWX1579
R7255	1.5	4.7	1.5	4.7	1.5
R7256	1	3.3	1	4.7	1.5
R7258	820k	820k	820k	1M	1M
R7277	NM	22k	NM	22k	NM
R7278	NM	22k	NM	22k	NM



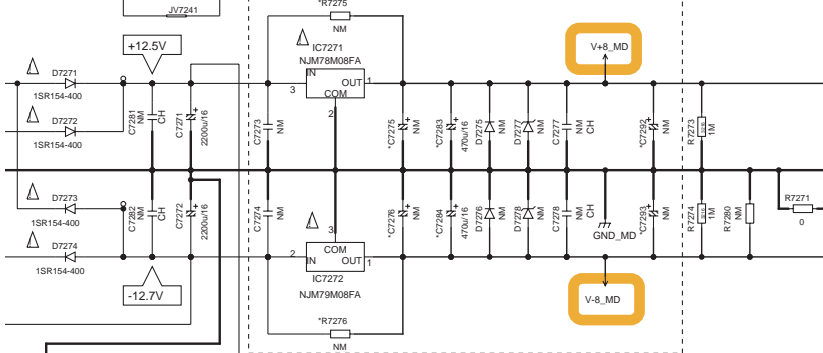
T1/2 IR REG_S ASSY(1/2) (AWX1576)

Power Supply for
IRPOWER AMP GATE DRIVER

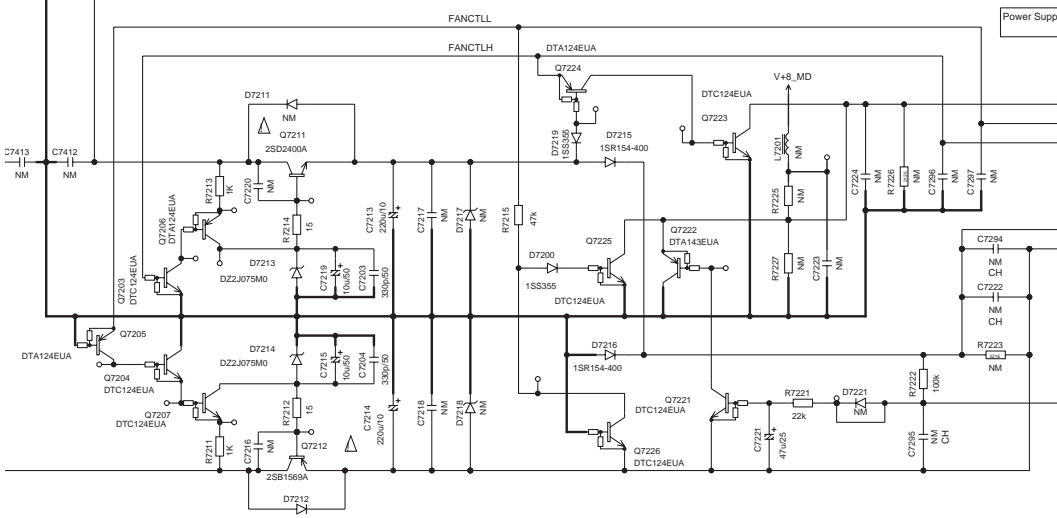


Q 1/10
CN4002

Power Supply for
D AMP MODURATOR



Q 1/10
CN4003

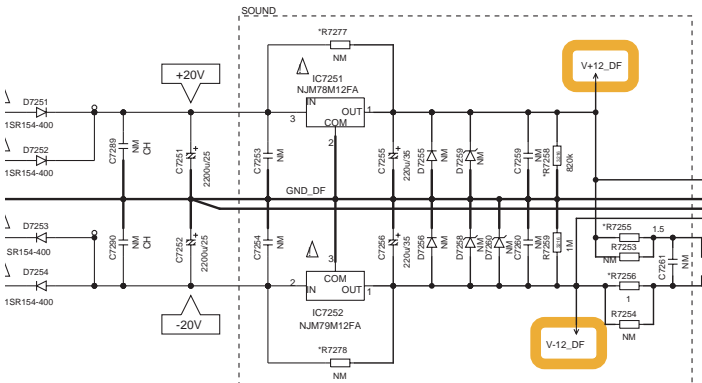


Power Supply for
COOLING FAN

F
CN7281
CN7009

AB
JP7291
CN3652

FAN	V+FAN	V-FAN
OFF	0V	0V
LOW	-0.7V	-6.5V
HIGH	+6.5V	-6.5V



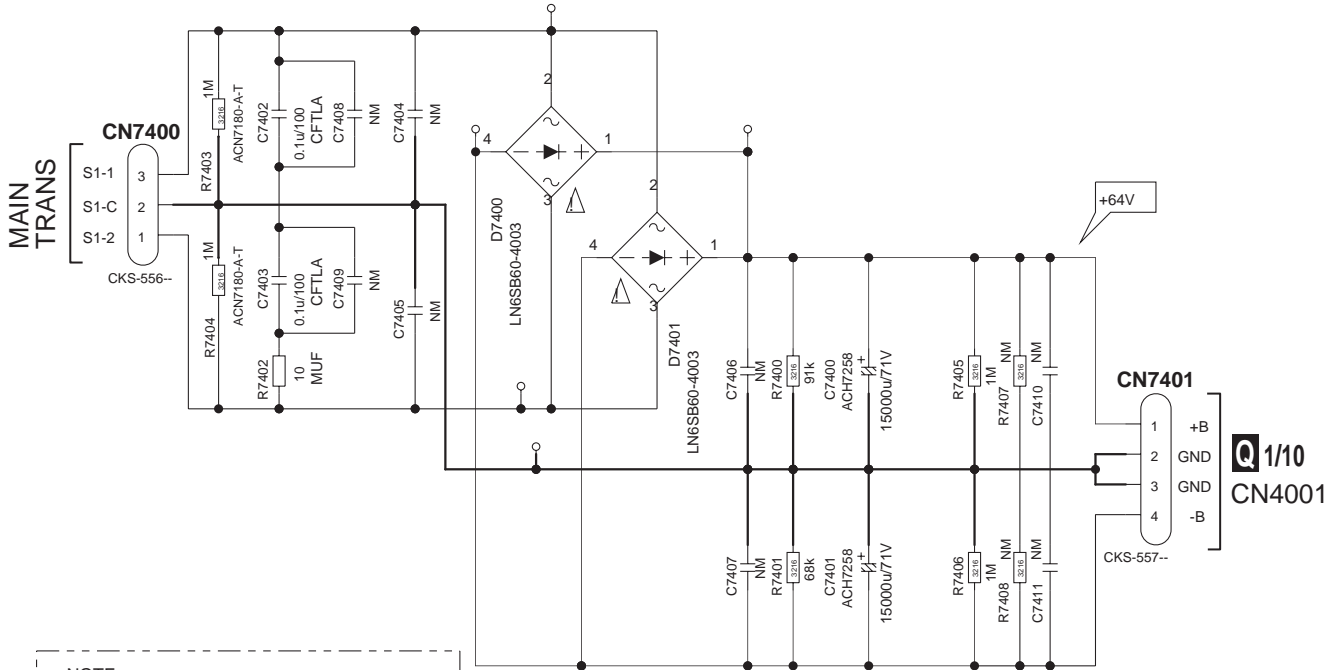
Power Supply for
D AMP INPUT STAGE & SP RELAY

Q 1/10
CN4004

The Δ mark found on some component parts should be replaced with same parts (safety regulation authorized) of identical designation.

10.50 IR REG_S ASSY (2/2)

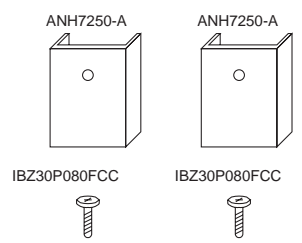
T^{2/2} IR REG_S ASSY(2/2) (AWX1576)



NOTE

1. RESISTORS
 Unit: k-k Ω , M-M Ω or Ω unless otherwise noted.
 Rated Power: 1/10w unless otherwise noted.
 Tolerance: (J)5% unless otherwise noted.
 MUF : RD1/4MUF
 3216 : RS1/4SA unless otherwise noted.

2. CAPACITORS
 Unit: p-pF or u-uF unless otherwise noted.
 Ratings: Capacity(F)/Voltage(V) unless otherwise noted.
 CFTLA : CFTLA
 3. NM: No Mount

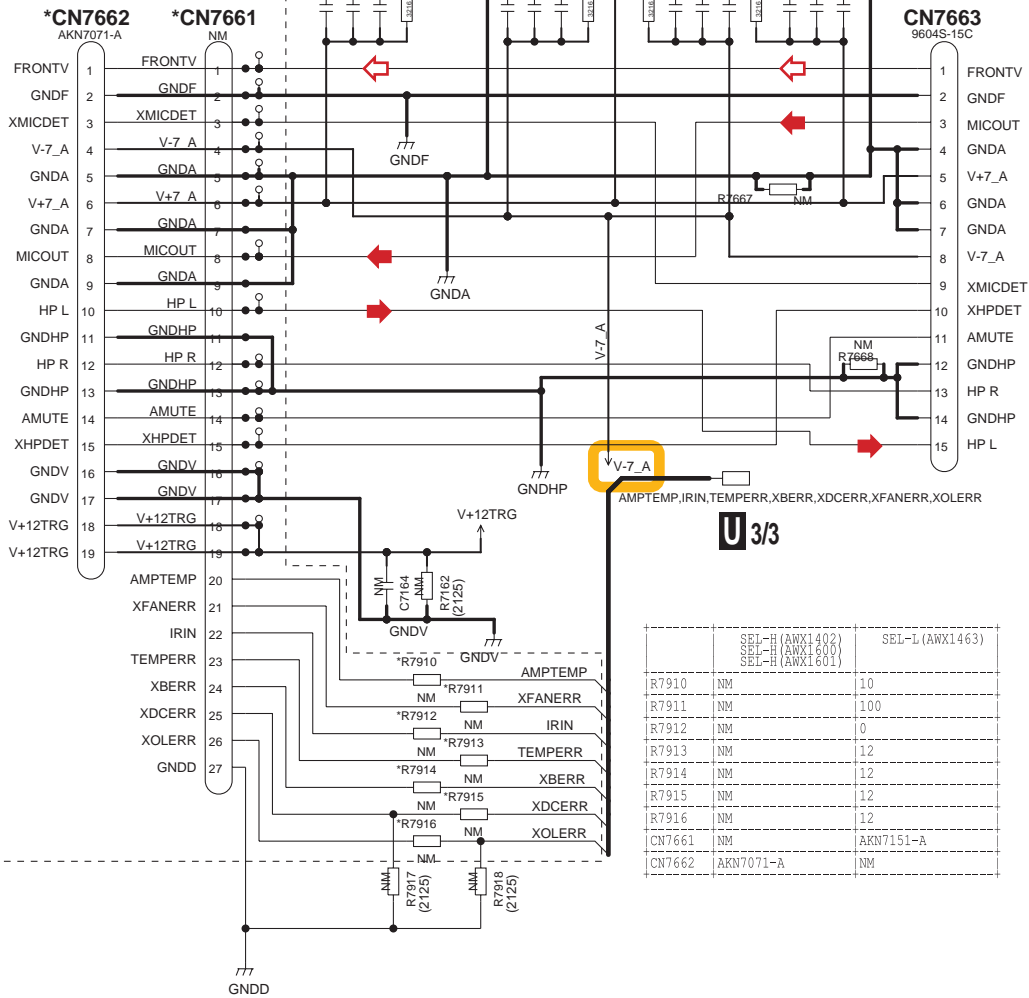


The Δ mark found on some component parts should be replaced with same parts (safety regulation authorized) of identical designation.

10.51 V-REG_S ASSY (1/3)

U_{1/3} V-REG_S ASSY(1/3) (AWX1600)

F
CN7011



I
CN3472

	SEL-H (AWX1402) SEL-H (AWX1600) SEL-H (AWX1601)	SEL-L (AWX1463)
R7910	NM	10
R7911	NM	100
R7912	NM	0
R7913	NM	12
R7914	NM	12
R7915	NM	12
R7916	NM	12
CN7661	NM	AKN7151-A
CN7662	AKN7071-A	NM

↗: Video Signal Route
↘: Audio Signal Route

NOTE
1. RESISTORS
Unit: k-k Ω, M-MΩ or Ω unless otherwise noted.
Rated Power: 1/16w unless otherwise noted.
Tolerance: J/J5% unless otherwise noted.
2. CAPACITORS
Unit: p-pF or u-uF unless otherwise noted.
Ratings: Capacity(F)/Voltage(V) unless otherwise noted.
3. NM: No Mount

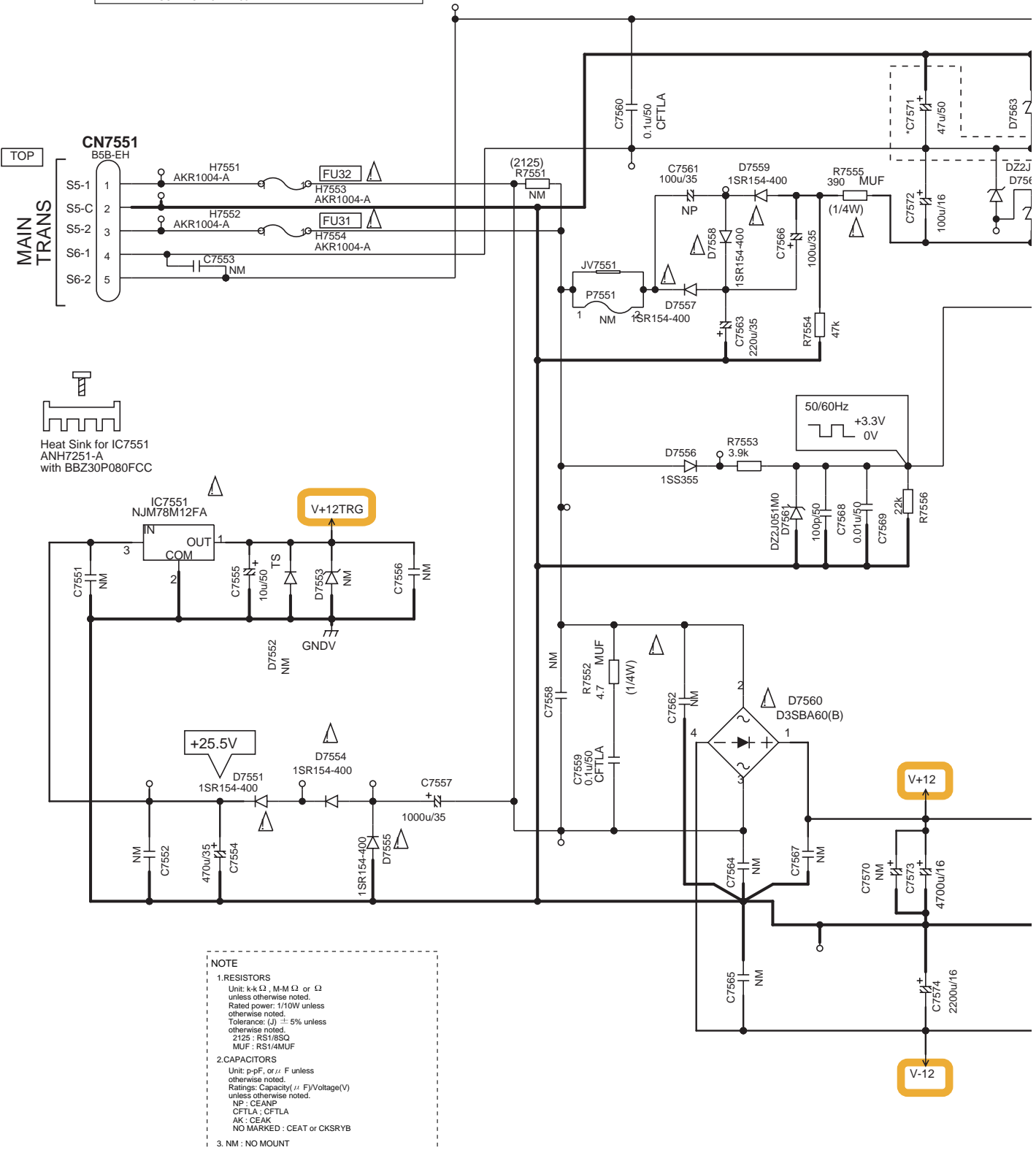
U_{1/3}

U_{1/3}

10.52 V-REG_S ASSY (2/3)

The Δ mark found on some component parts should be replaced with same parts (safety regulation authorized) of identical designation.

CAUTION-
FOR CONTINUED PROTECTION AGAINST RISK OF FIRE,
REPLACE WITH SAME TYPE NO. 49101.6 MFD.
BY LITTELFUSE INC. FOR P4081



Heat Sink for IC7551
ANH7251-A
with BBZ30P080FCC

NOTE

- RESISTORS
Unit: k Ω , M Ω or Ω
unless otherwise noted.
Rated power: 1/10W unless
otherwise noted.
Tolerance: $\pm 5\%$ unless
otherwise noted.
2125: RS1/BSQ
MUF: RS14MUF
- CAPACITORS
Unit: p μ F, or μ F unless
otherwise noted.
Ratings: Capacity (μ F)/Voltage(V)
unless otherwise noted.
NP: CEANP
CFTLA: CFTLA
AK: CEAK
NO MARKED: CEAT or CKSRYB
- NM: NO MOUNT

	SEL-H (AWX1402)	SEL-L (AWX1463)	SEL-H (AWX1600)	SEL-H (AWX1601)	SEL-L/J (AWX1681)
C7571	47 μ /50	47 μ /50	47 μ /50	100 μ /35	47 μ /50
C7575	NM	NM	NM	100p/50	NM
R7557	NM	NM	NM	1M	NM

U2/3 V-REG_S ASSY(2/3) (AWX1600)

A

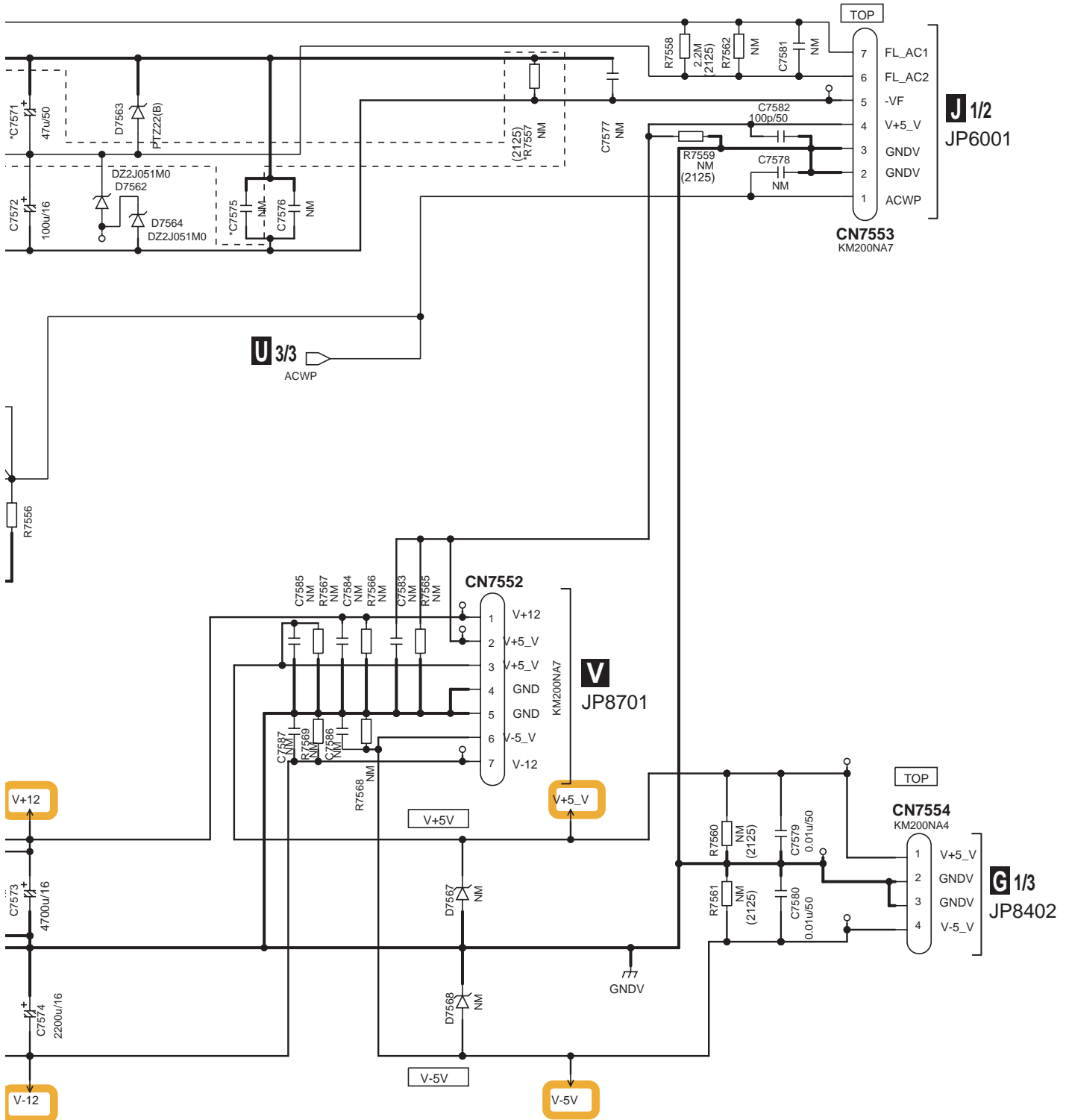
B

C

D

E

F

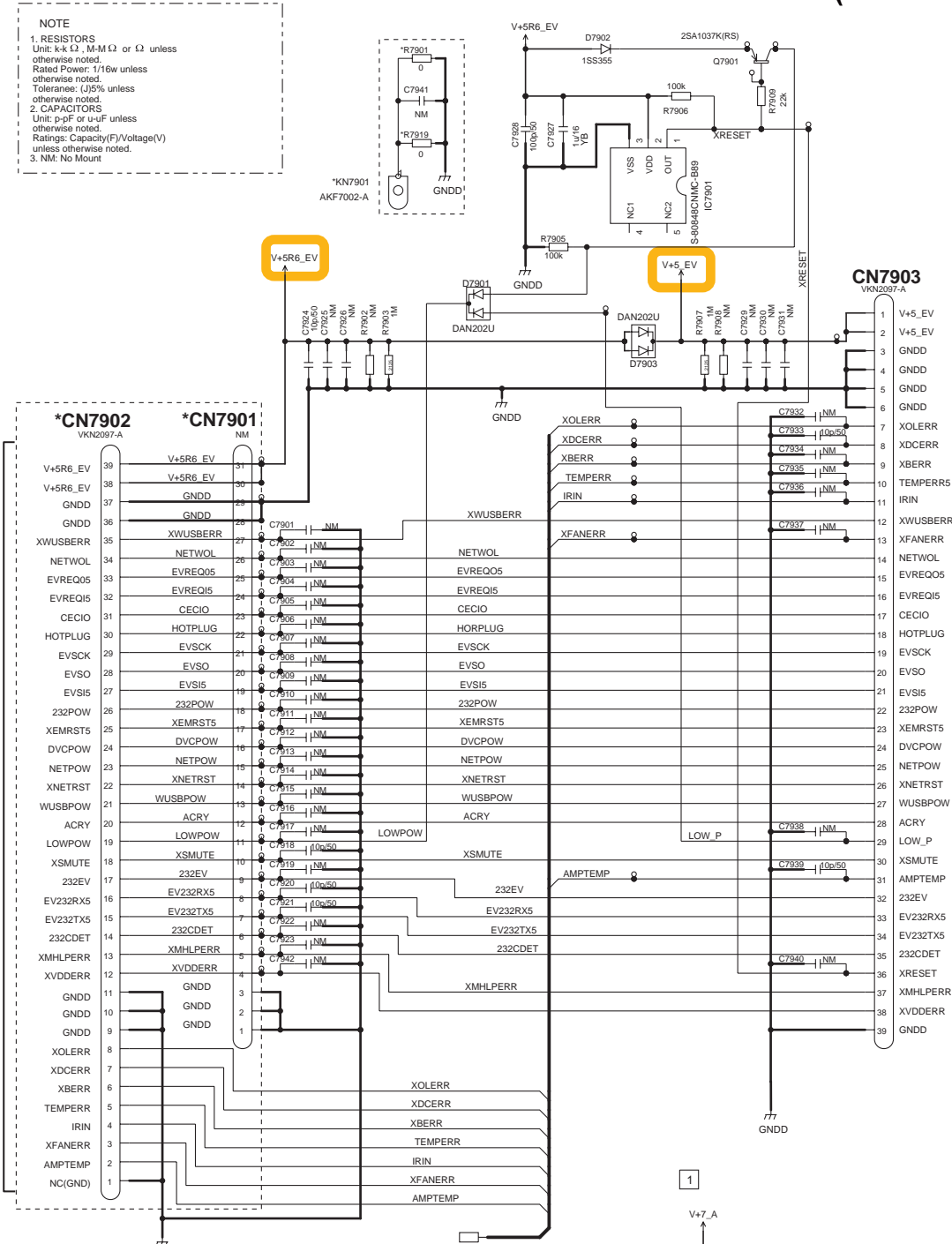


10.53 V-REG_S ASSY (3/3)

U_{3/3} V-REG_S ASSY(3/3) (AWX1600)

NOTE

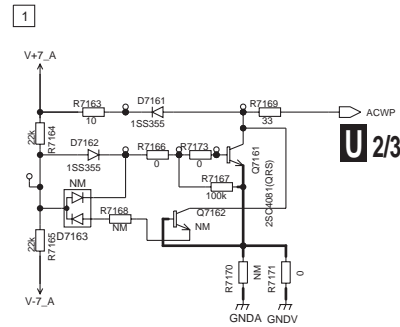
- RESISTORS
Unit: k-k Ω, M-M Ω or Ω unless otherwise noted.
Rated Power: 1/16w unless otherwise noted.
Tolerances: (J)5% unless otherwise noted.
- CAPACITORS
Unit: p-pF or u-uF unless otherwise noted.
Ratings: Capacity(F)/Voltage(V) unless otherwise noted.
- NM: No Mount



E 2/12
CN601

J 1/2
CN6001

U_{1/3}

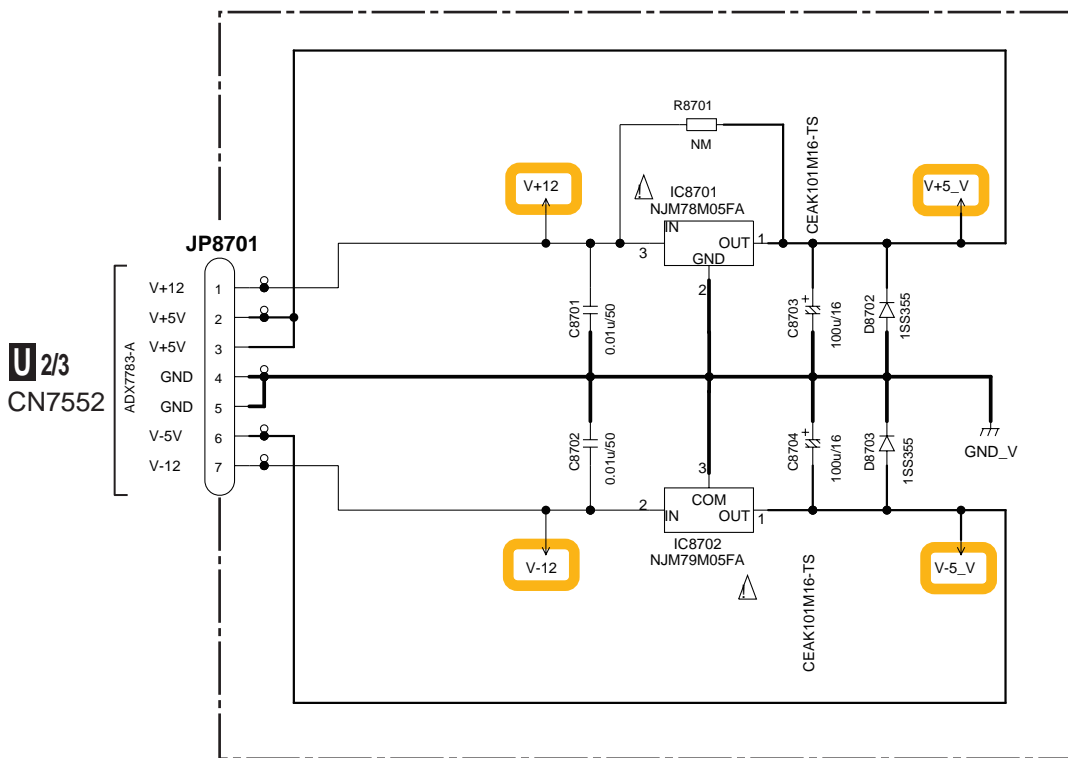


U_{2/3}

	SEL-H/SY (AWX1402)	SEL-L/CU_SY (AWX1463)	SEL-H/CU (AWX1600)	SEL-H/J (AWX1601)	SEL-L/J (AWX1681)
CN7901	NM	VKN1262-A	NM	NM	VKN1262-A
CN7902	VKN2097-A	NM	VKN2097-A	VKN2097-A	NM
R7901	0	NM	0	0	0
R7919	0	NM	NM	0	0
KN7901	AKF7002-A	NM	NM	AKF7002-A	AKF7002-A

U_{3/3}

U_{3/3}



CAUTION - FOR CONTINUED PROTECTION AGAINST RISK OF FIRE,
REPLACE WITH SAME TYPE AND RATINGS OF FUSE.

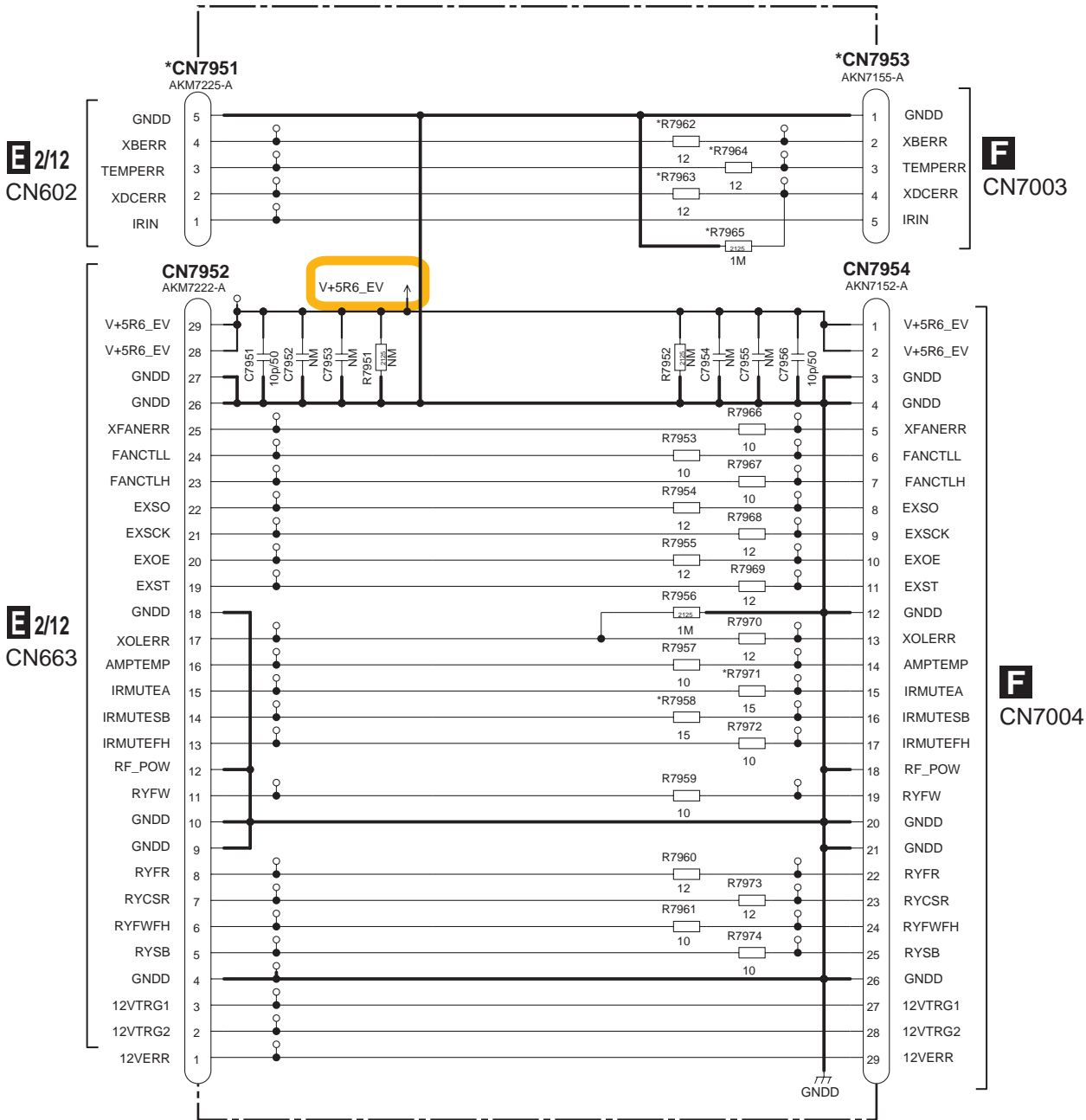
The Δ mark found on some component parts should be replaced with same parts (safety regulation authorized) of identical designation.

NOTE

- RESISTORS
Unit: k- Ω , M-M Ω or Ω unless otherwise noted.
Rated Power: 1/16w unless otherwise noted.
Tolerance: (J)5% unless otherwise noted.
MUF: RD14MUF
- CAPACITORS
Unit: p-pF or u-uF unless otherwise noted.
Ratings: Capacity(F)/Voltage(V) unless otherwise noted.
CH: CCSRCH, CFTLA: CFTLA
NP: CEANP, AK: CEAK
NO MARKED: CKSRBYB or CEAT
3. NM: No Mount

10.55 CONNECT_S ASSY

CONNECT_S ASSY (AWX1583)



E 2/12
CN602

F
CN7003

E 2/12
CN663

F
CN7004

NOTE

1. RESISTORS
Unit: k- Ω , M-M Ω or Ω unless otherwise noted.
Rated Power: 1/16w unless otherwise noted.
Tolerance: (J)5% unless otherwise noted.

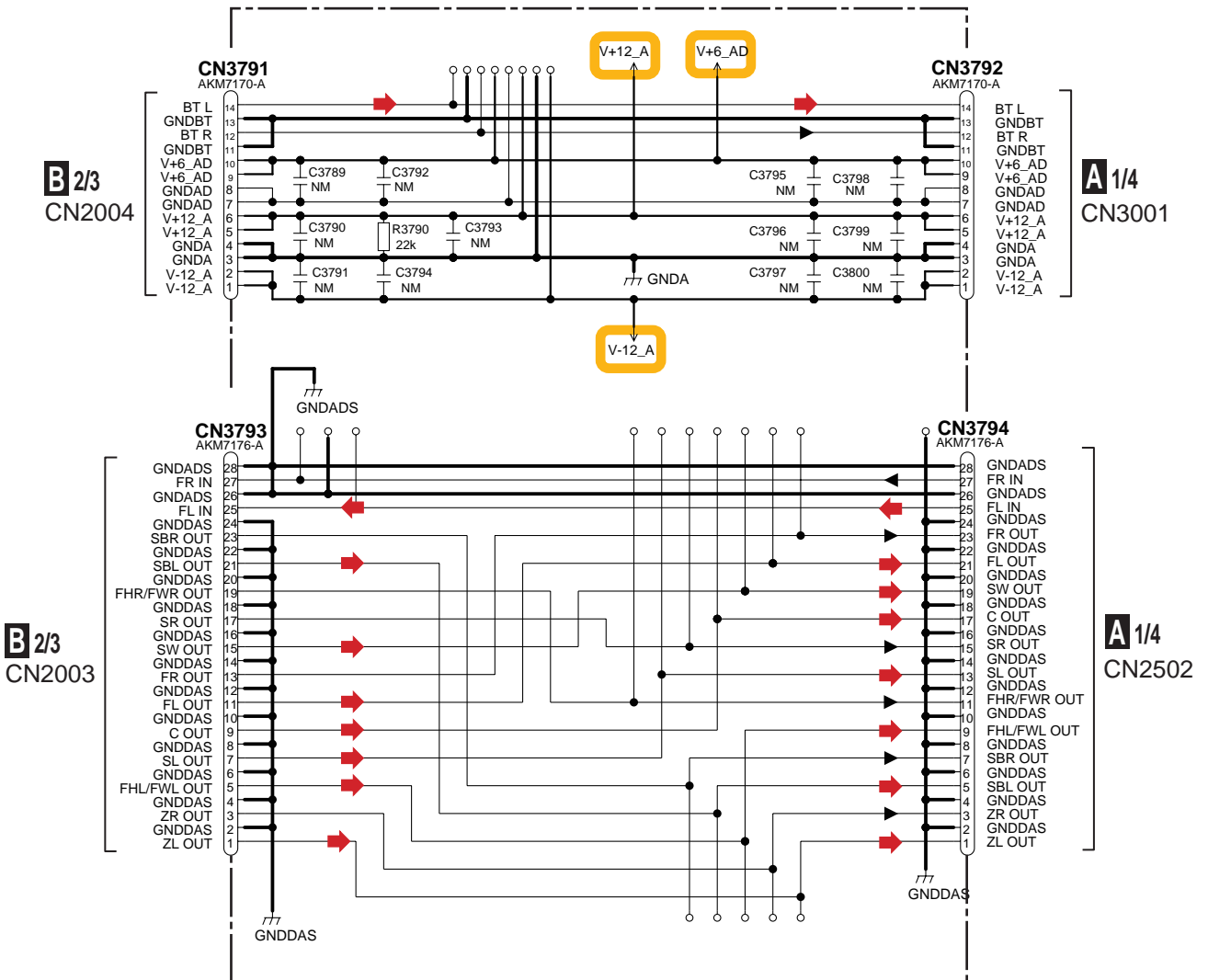
2. CAPACITORS
Unit: p-pF or u-uF unless otherwise noted.
Ratings: Capacity(F)/Voltage(V) unless otherwise noted.
3. NM: No Mount

	awx1366	awx1583	awx1584	awx1464	awx1585
R7959	15	15	15	15	15
R7962	12	12	12	NM	NM
R7963	12	12	12	NM	NM
R7964	12	12	12	NM	NM
R7965	1M	1M	1M	NM	NM
R7971	15	15	15	15	15
CN7951	AKM7225-A	AKM7225-A	AKM7225-A	NM	NM
CN7953	AKN7155-A	AKN7155-A	AKN7155-A	NM	NM



10.56 A-DAC BRIDGE ASSY

X A-DAC BRIDGE ASSY (AWX1360)



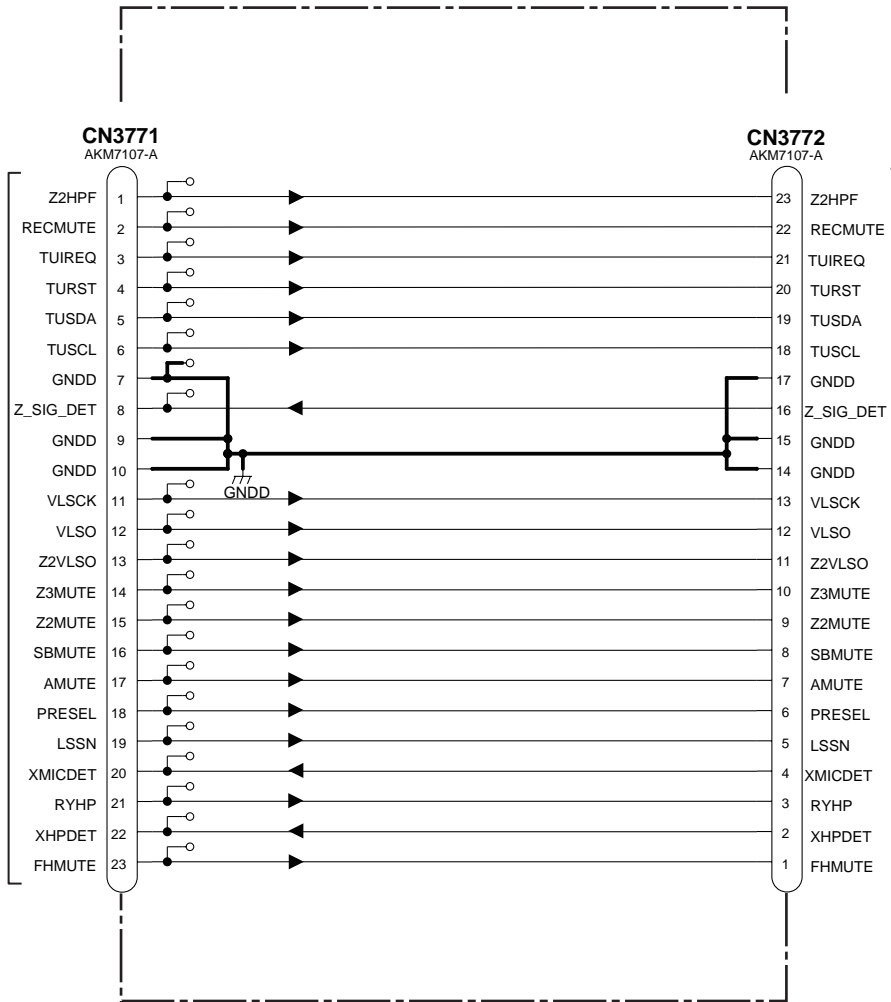
➔ : Audio Signal Route

NOTE

1. RESISTORS
 Unit: k-kΩ, M-MΩ or Ω unless otherwise noted.
 Rated Power: 1/10w unless otherwise noted.
 Tolerance: (J)5% unless otherwise noted.

2. CAPACITORS
 Unit: p-pF or u-uF unless otherwise noted.
 Ratings: Capacity(F)/Voltage(V) unless otherwise noted.
 CH : CCSRCH
 NO MARKED : CKSRYB
 3. NM: No Mount



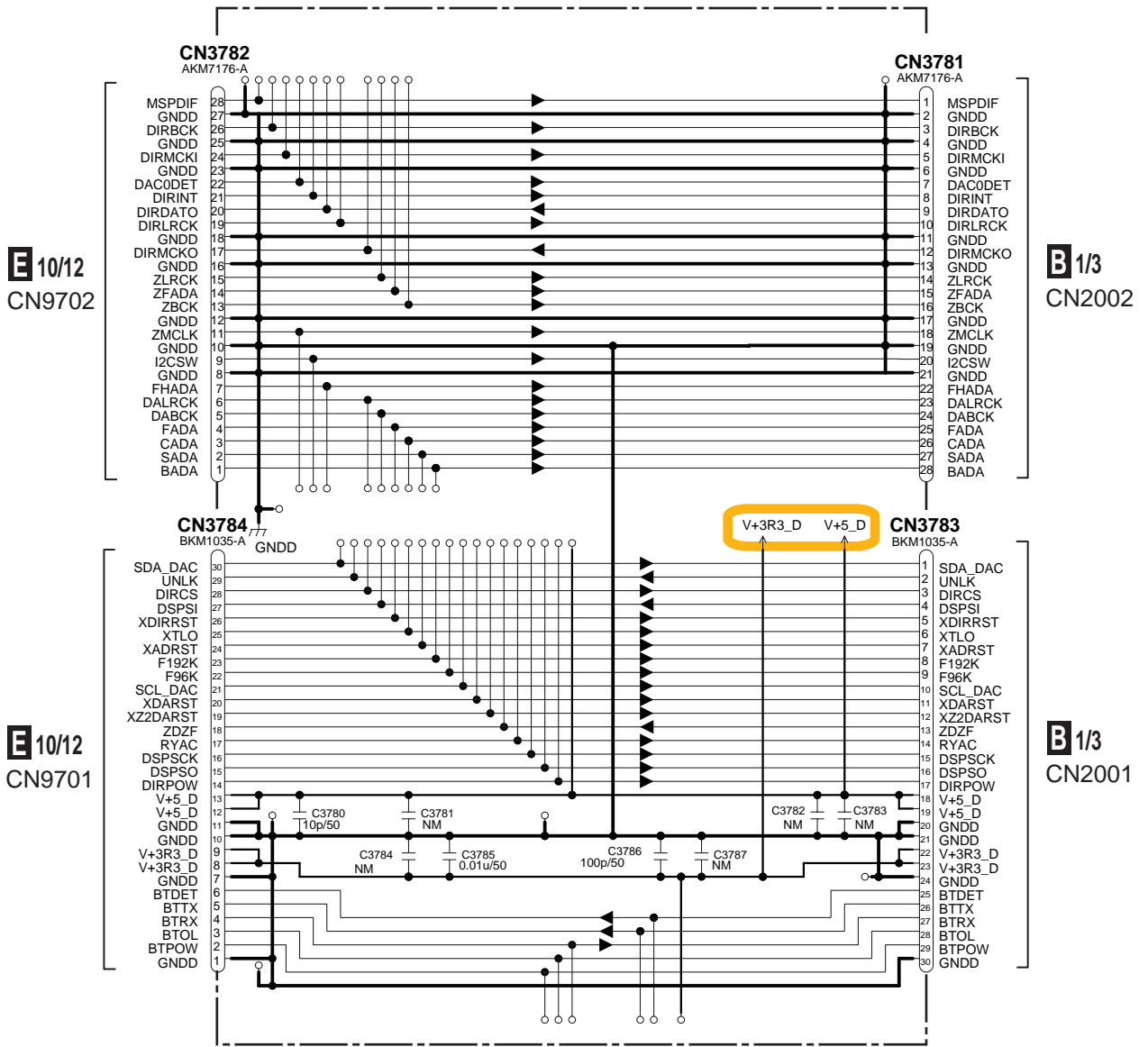


NOTE

- RESISTORS**
Unit: k-k Ω , M-MΩ or Ω unless otherwise noted.
Rated Power: 1/10w unless otherwise noted.
Tolerance: (J)5% unless otherwise noted.
- CAPACITORS**
Unit: p-pF or u-uF unless otherwise noted.
Ratings: Capacity(F)/Voltage(V) unless otherwise noted.
CH : CCSRCH
NO MARKED : CKSRYB
- NM: No Mount**

10.58 D-DAC BRIDGE ASSY

Z D-DAC BRIDGE ASSY (AWX1359)



E 10/12
CN9702

B 1/3
CN2002

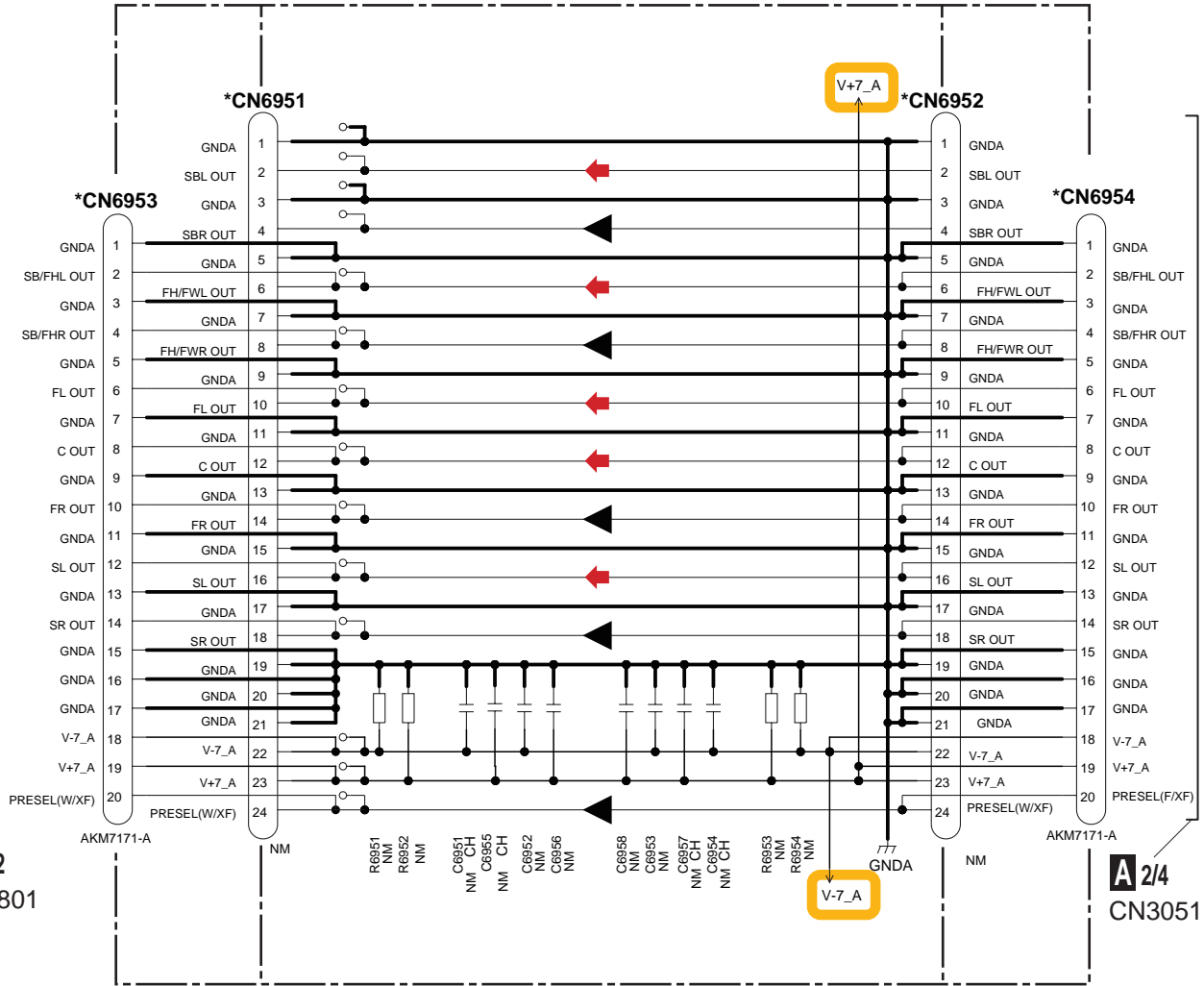
E 10/12
CN9701

B 1/3
CN2001

NOTE

- RESISTORS**
Unit: k- Ω , M-M Ω or Ω unless otherwise noted.
Rated Power: 1/10w unless otherwise noted.
Tolerance: (J)5% unless otherwise noted.
- CAPACITORS**
Unit: p-pF or u-uF unless otherwise noted.
Ratings: Capacity(F)/Voltage(V) unless otherwise noted.
CH : CCSRCH
NO MARKED : CKSRYB
3. NM: No Mount





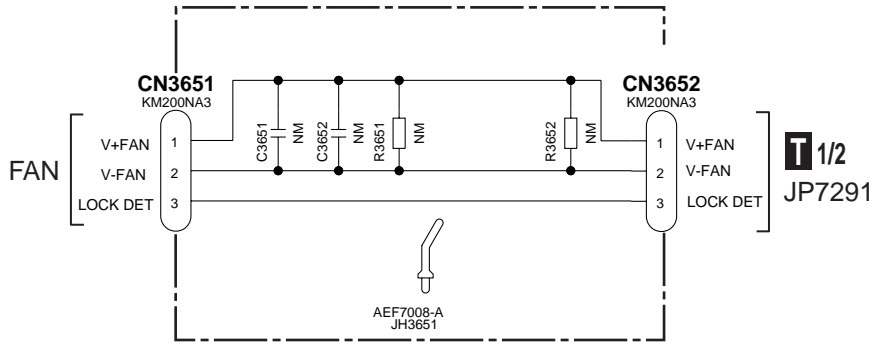
1. RESISTORS
Unit: k-kΩ, M-MΩ or Ω unless otherwise noted.
Rated Power: 1/10w unless otherwise noted.
Tolerance: (J)5% unless otherwise noted.
2. CAPACITORS
Unit: p-pF or u-uF unless otherwise noted.
Ratings: Capacity(F)/Voltage(V) unless otherwise noted.
CH : CCSRCH
NO MARKED : CKSRYB
3. NM: No Mount

AWX1367 (SEL-H)	
CN6951	AKM7173-A
CN6952	AKM7173-A
CN6953	NM
CN6954	NM

➔ : Audio Signal Route

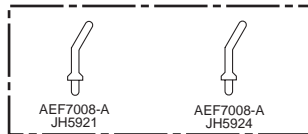
10.60 FAN CONNECT, MIC HP GUARD, BIND DM CABLE_S, P WIRE GUARD_S, FFC GUARD_S, BINDFAN CABLE_S and TRANS VREG STYL_S ASSYS

AB FAN CONNECT ASSY (AWX1361)

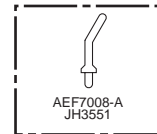


NOTE
 1. RESISTORS
 Unit: k-k Ω, M-M Ω or Ω unless otherwise noted.
 Rated Power: 1/10w unless otherwise noted.
 Tolerance: (J)5% unless otherwise noted.
 2. CAPACITORS
 Unit: p-pF or u-uF unless otherwise noted.
 Ratings: Capacity(F)/Voltage(V) unless otherwise noted.
 CH : CCSRCH
 NO MARKED : CKSRYB
 3. NM: No Mount

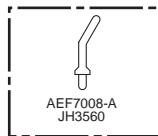
AC MIC HP GUARD ASSY (AWX1397)



AD BIND DM CABLE_S ASSY (AWX1407)



AE P WIRE GUARD_S ASSY (AWX1408)



AF FFC GUARD_S ASSY (AWX1406)



AG BINDFAN CABLE_S ASSY (AWX1409)



AH TRANS VREG STYL_S ASSY (AWX1368)



10.61 VREG GUARD, PANEL GUARD and IR EDGE GUARD_S ASSYS

A

AI VREG GUARD ASSY
(AWX1398)



AJ PANEL GUARD ASSY
(AWX1399)



B

AK IR EDGE GUARD_S ASSY
(AWX1230)



C

D

E

F

AI AJ AK

AI AJ AK

■

5

■

6

■

7

■

8

■

A

■

B

■

C

■

D

■

E

■

F

■

5

■

6

SC-75

■

7

■

8

■

11. PCB CONNECTION DIAGRAM

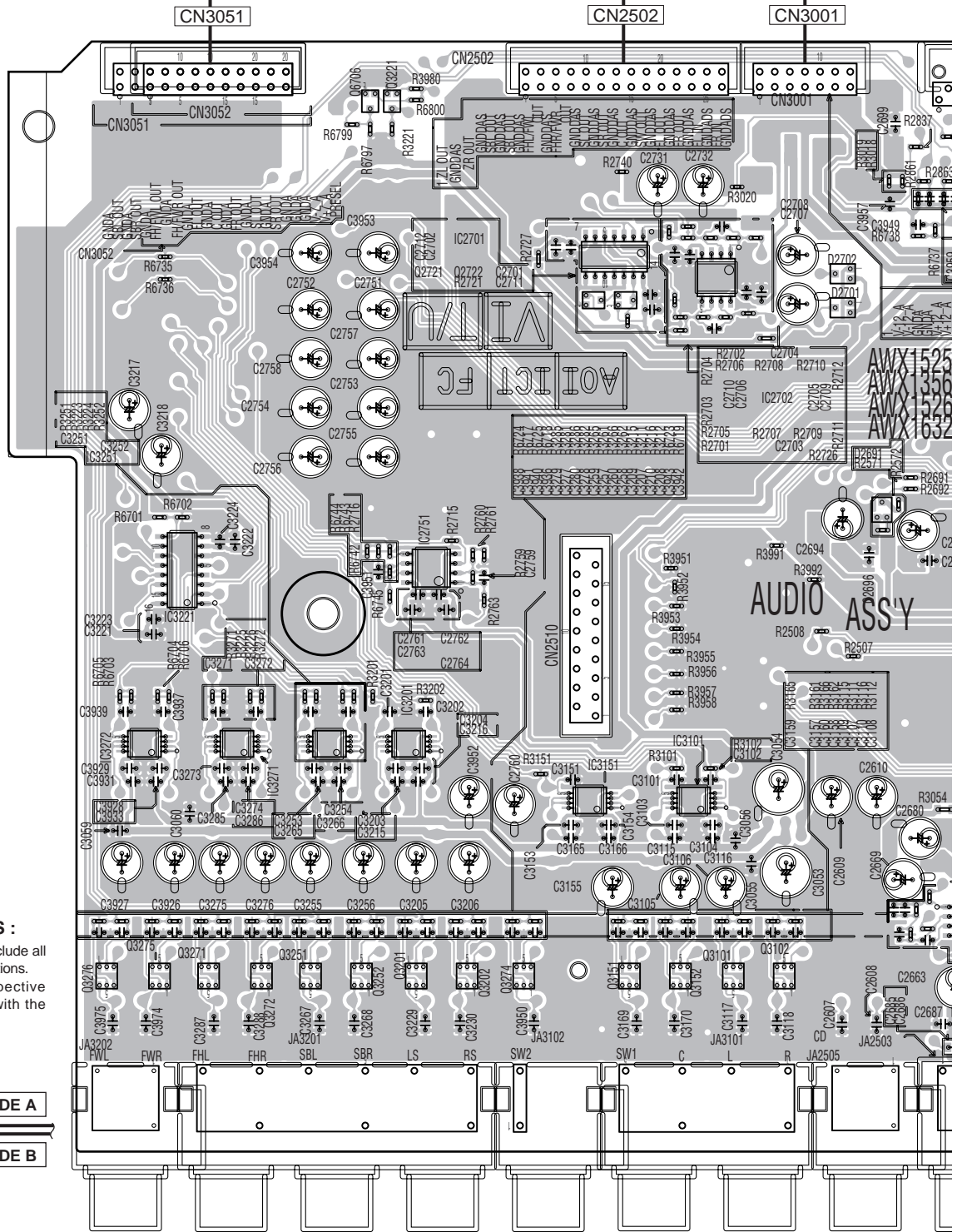
11.1 AUDIO ASSY

SIDE A

A AUDIO ASSY **AA** CN6952

X CN3794

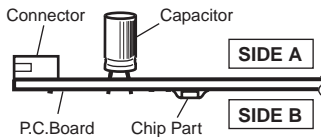
X CN3792



NOTE FOR PCB DIAGRAMS :

1. The parts mounted on this PCB include all necessary parts for several destinations. For further information for respective destinations, be sure to check with the schematic diagram.

2. View point of PCB diagrams.

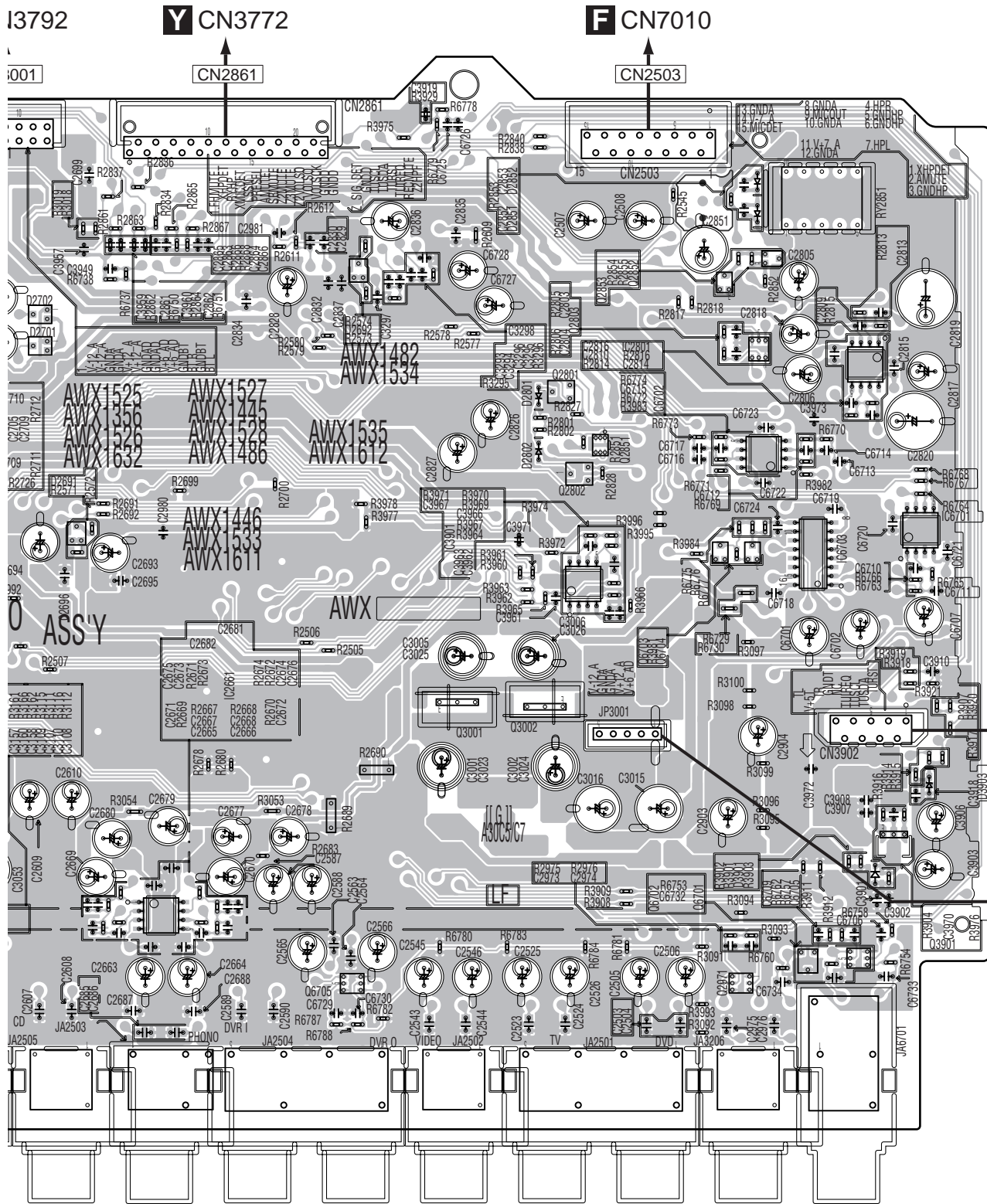


Q	Q3276	Q3275	Q3271	Q3272	Q3251	Q3252	Q3201	Q3202	Q3274	Q3151	Q3152	Q3101	Q3102
IC	IC3221	IC3272	IC3271	IC3251	IC3201	IC2751	IC2701	IC2702	IC3151	IC3101			

A

SIDE A

A
B
C
D
E
F



(ANP7859-B)

S CN7502 TUNER MODULE

CN3902
JP3001

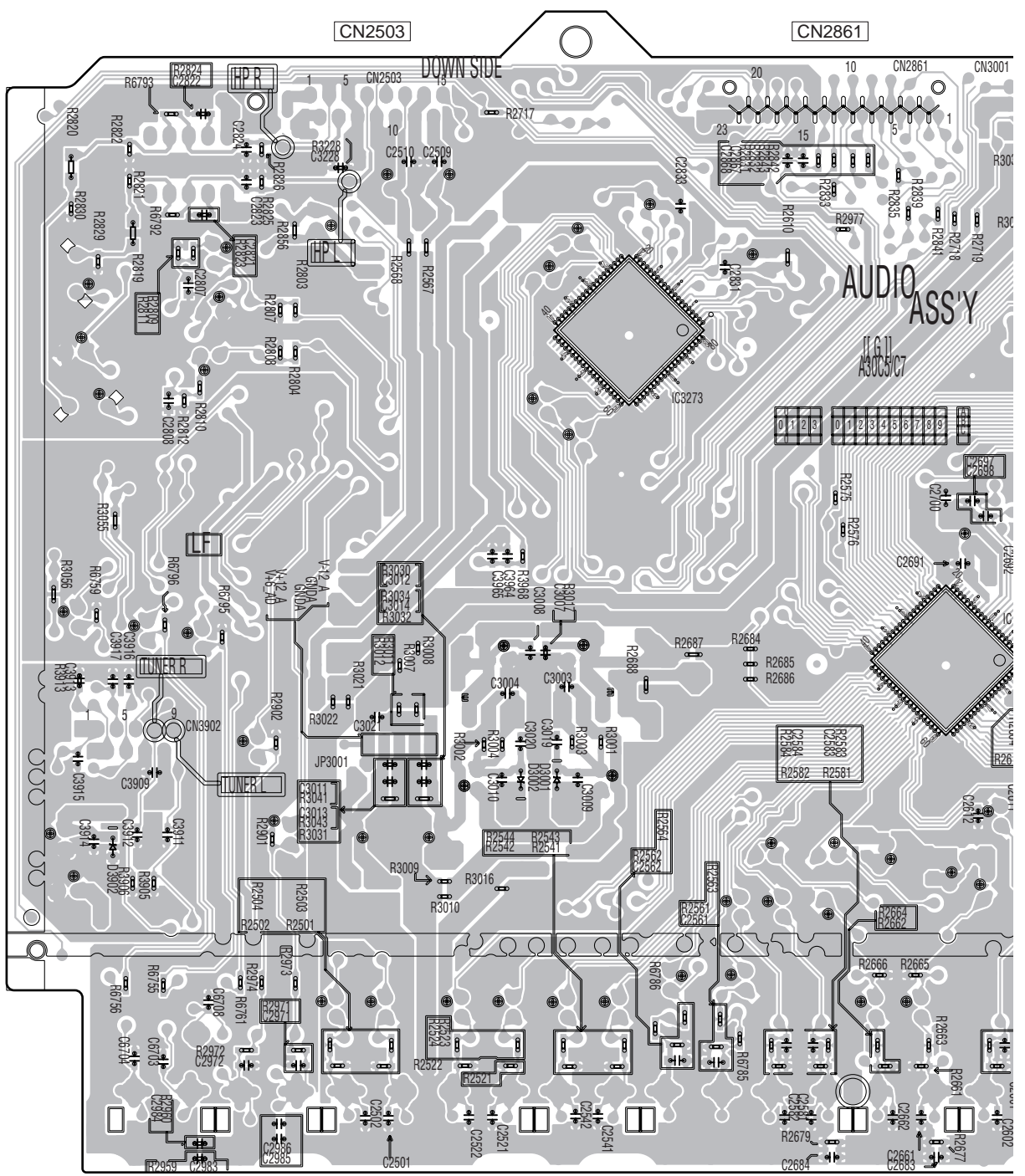
- Q6705
- Q3001
- Q2801
- Q3002
- Q2802 Q2851
- IC3901
- Q2853
- Q2852
- Q2803
- Q6703
- Q6704
- Q2971
- IC6702
- IC6703
- IC2801
- IC6701
- Q3901

SC-75

A

SIDE B

A AUDIO ASSY



Q

IC

IC3273

IC2501

A
B
C
D
E
F



A

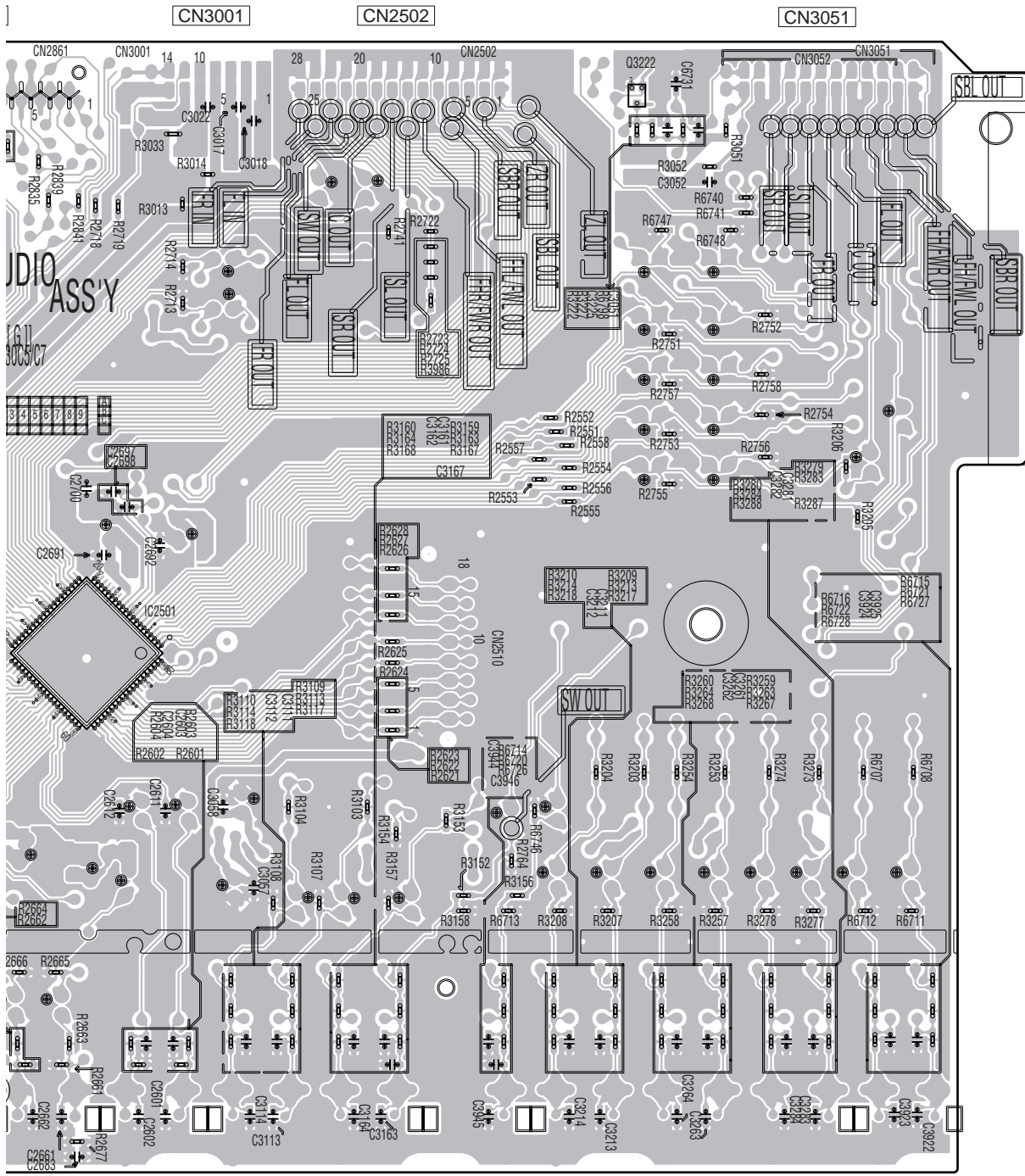
B

C

D

E

F



(ANP7859-B)

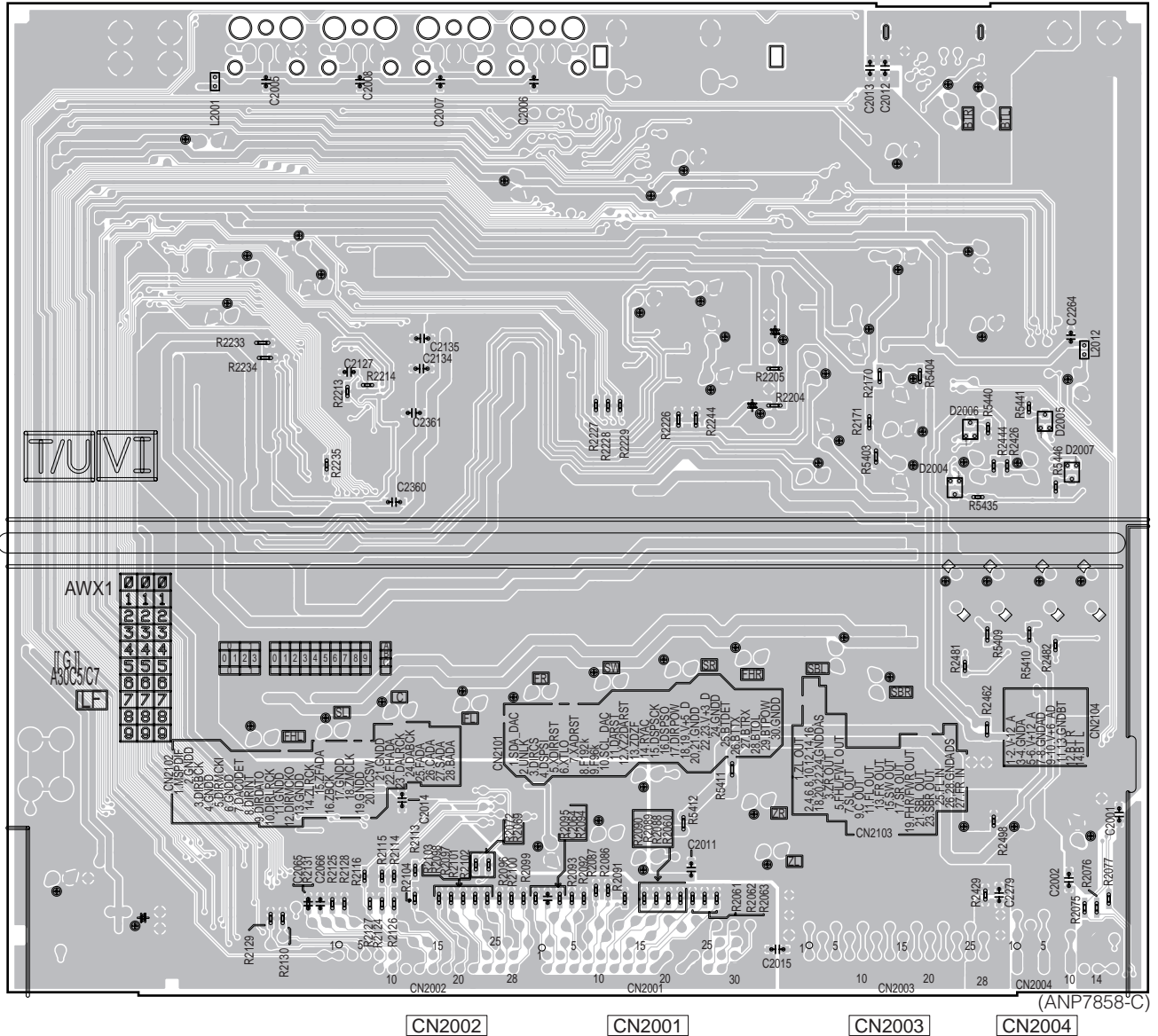
Q3222

IC2501

SIDE B

SIDE B

B DAC HIGH ASSY



B

B

11.3 FRONT HDMI USB ASSY and USB RECT_S ASSY

SIDE A

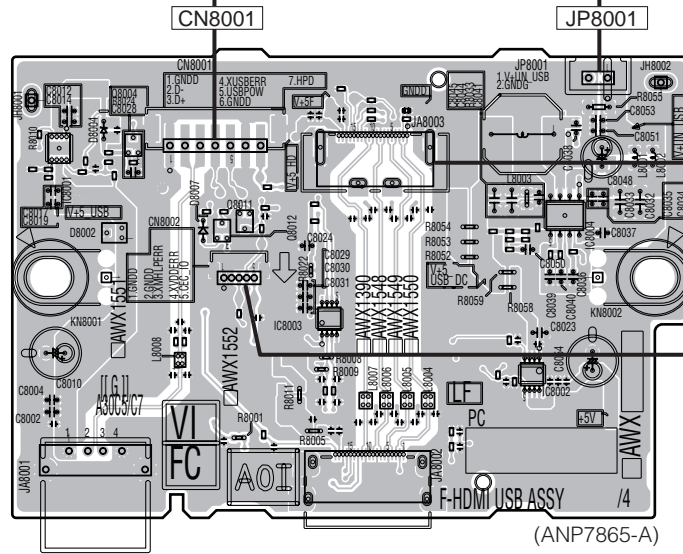
SIDE A

C FRONT HDMI USB ASSY

E CN9202, CN9601

D CN3652

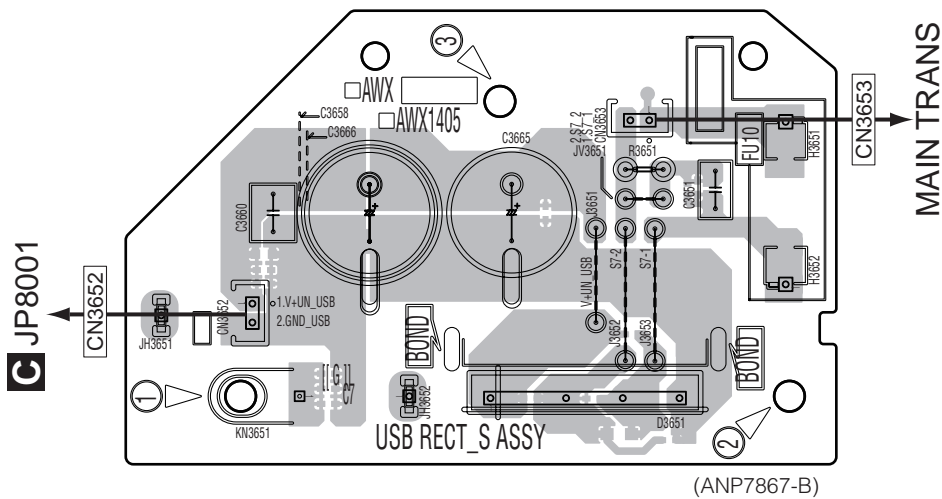
IC Q
Q8004
IC8001 Q8011
IC8004 Q8012
IC8003
IC8002



E JA9620

J CN6003

D USB RECT_S ASSY



C JP8001

J MAIN TRANS

C D

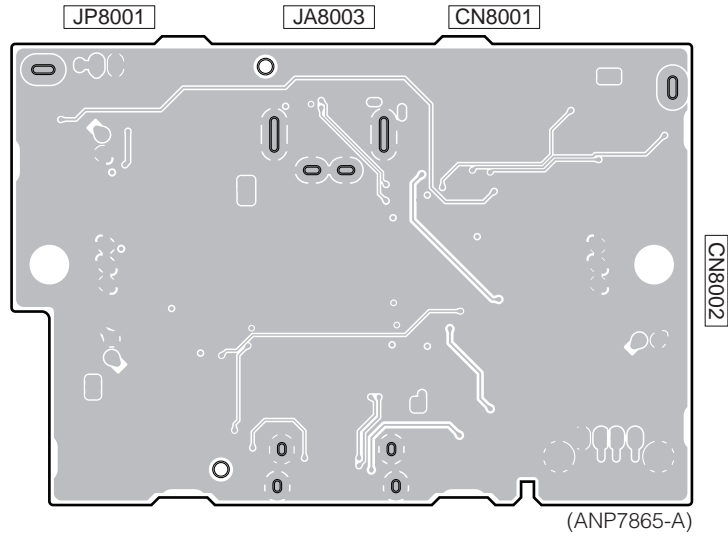
C D

SIDE B

SIDE B

A

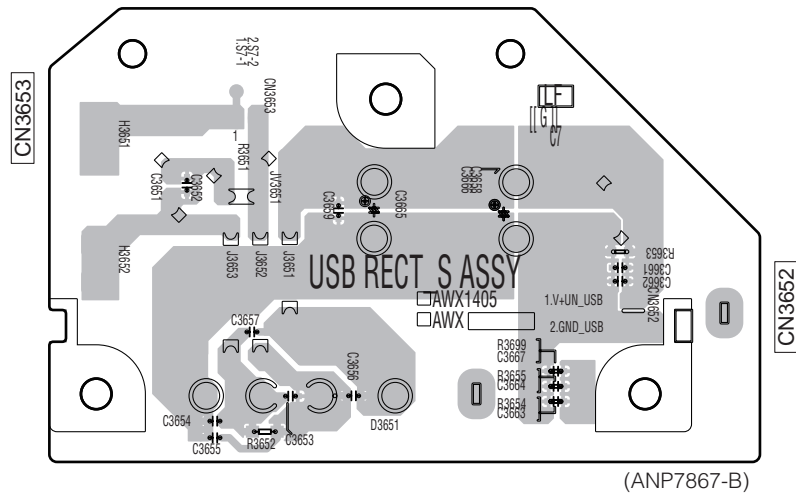
C FRONT HDMI USB ASSY



B

C

D USB RECT_S ASSY



D

E

F

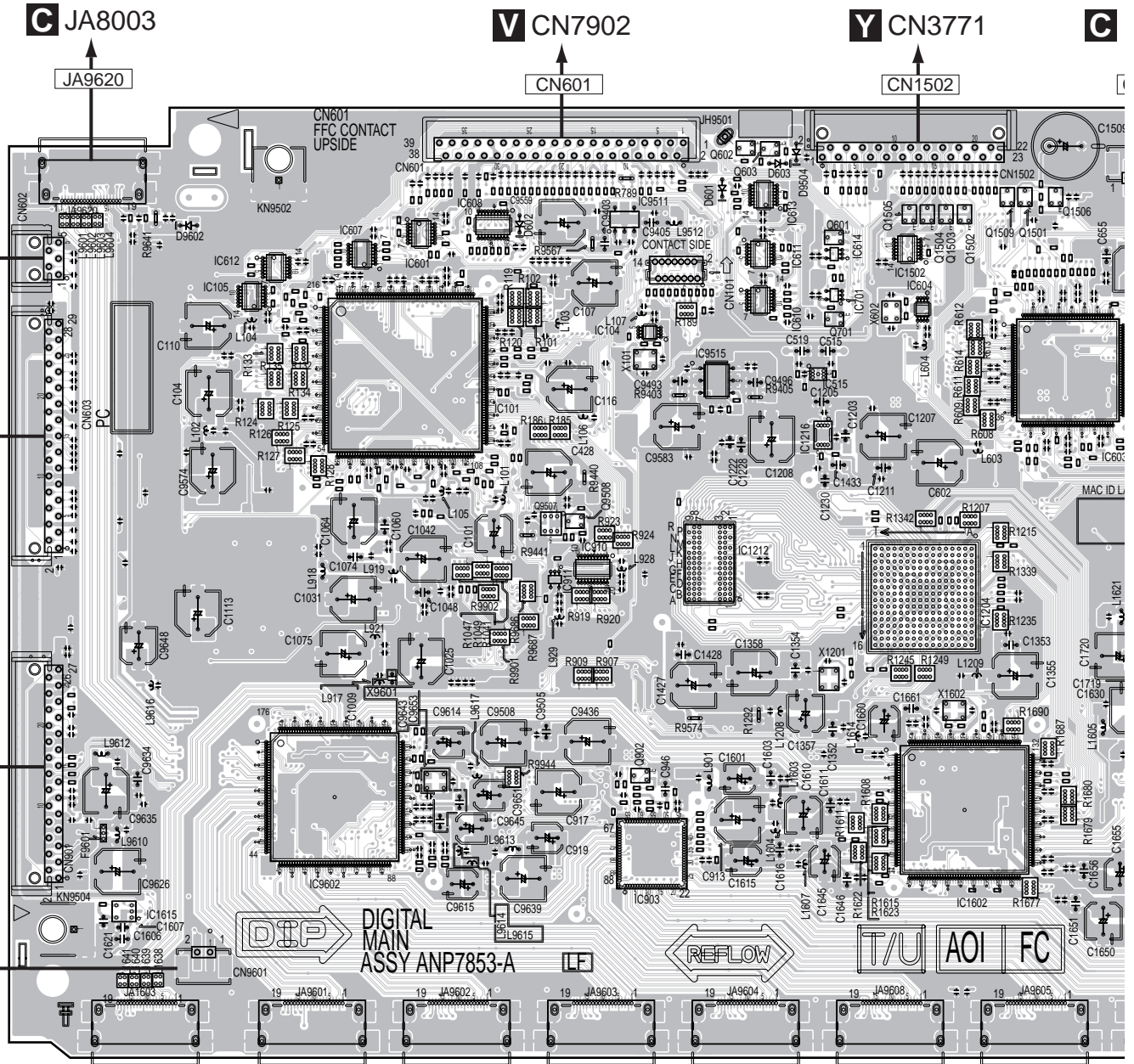
C D

C D

11.4 DIGITAL MAIN ASSY

SIDE A

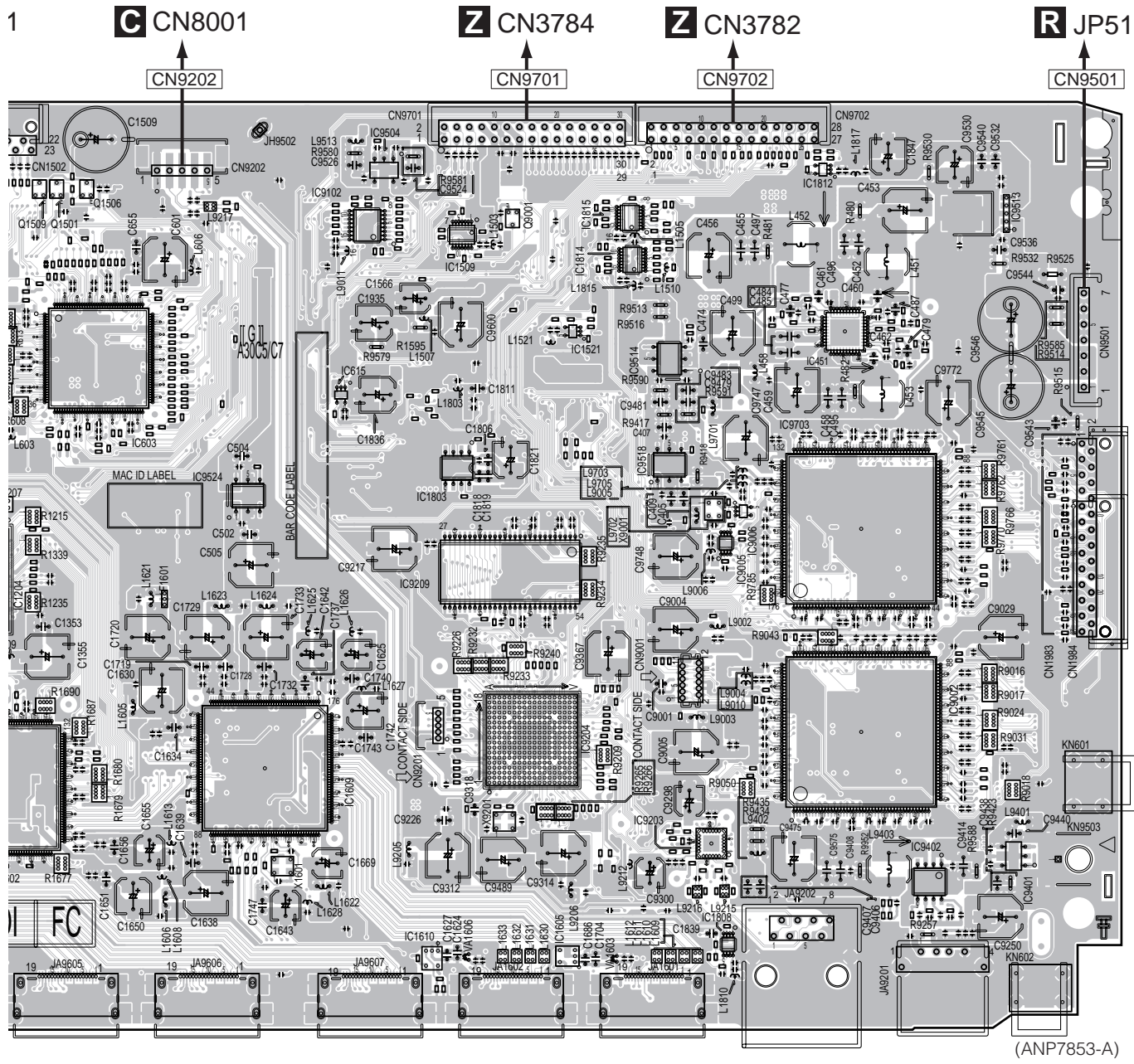
E DIGITAL MAIN ASSY



Q	IC	Q9507 Q9508	Q902	Q601 Q603 Q701	Q1504 Q1505 Q1502 Q1503 Q1509 Q1501
		IC105 IC612	IC607	IC601	IC608
		IC101	IC608	IC9511	IC104
		IC9602	IC911	IC910	IC1212
			IC903	IC813 IC911 IC910	IC614 IC701 IC515 IC1216
				IC1502 IC604 IC1204	IC1602
					IC603

SIDE A

A



B

C

D

E

(ANP7853-A)

02 Q1509 Q1506 Q1501

Q9001

IC603	IC9524	IC9102	IC9504	IC1509	IC1815	IC1814	IC1812	IC9513
	IC615	IC1803	IC9209	IC1521	IC9514	IC9518	IC9006	
	IC1609	IC1610	IC9204	IC1605	IC9511	IC9005	IC9703	
					IC9203	IC1808	IC9002	
							IC9402	IC9401

2

F

SC-75

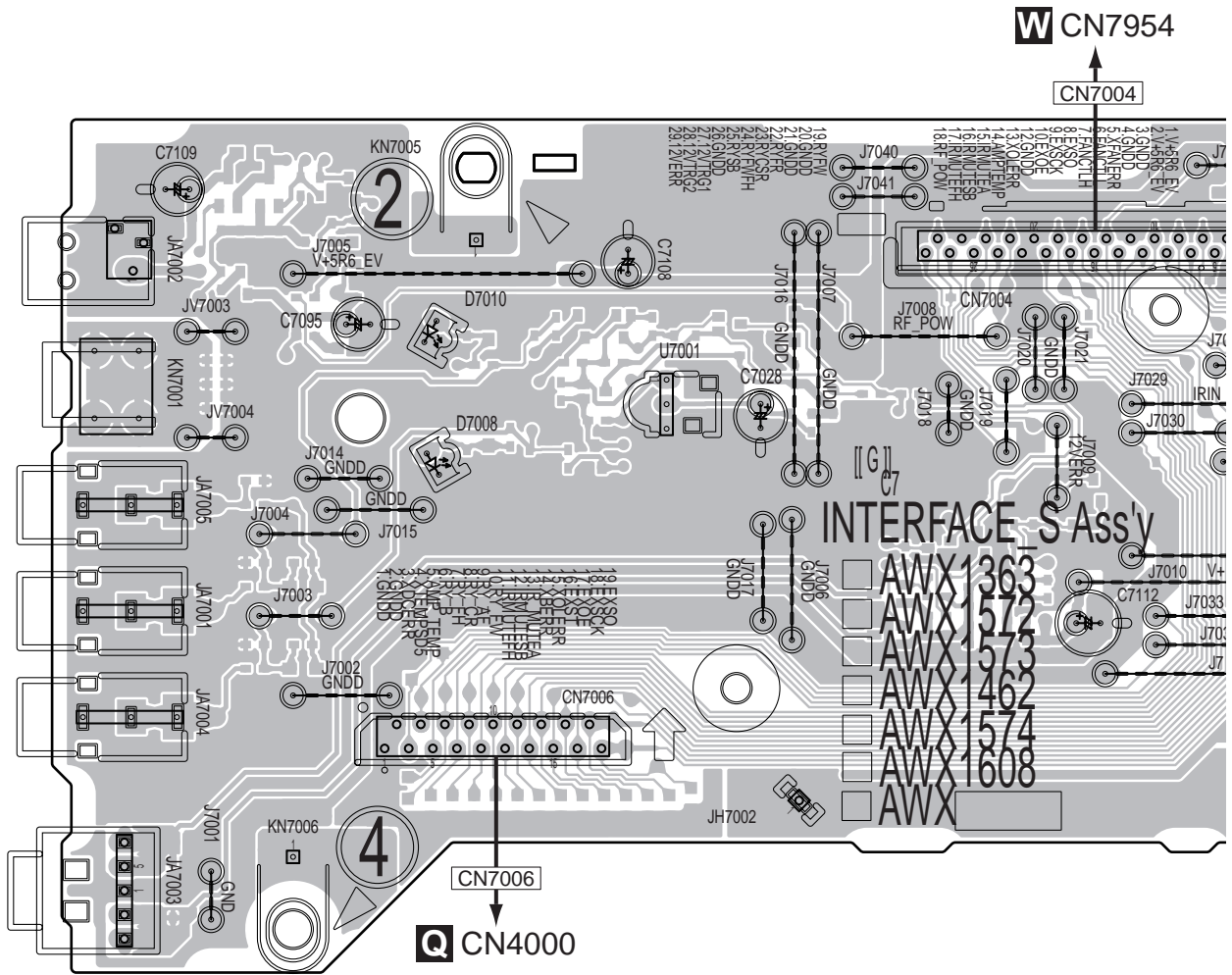


125

11.5 INTERFACE_S ASSY

SIDE A

F INTERFACE_S ASSY



F

SIDE A

A

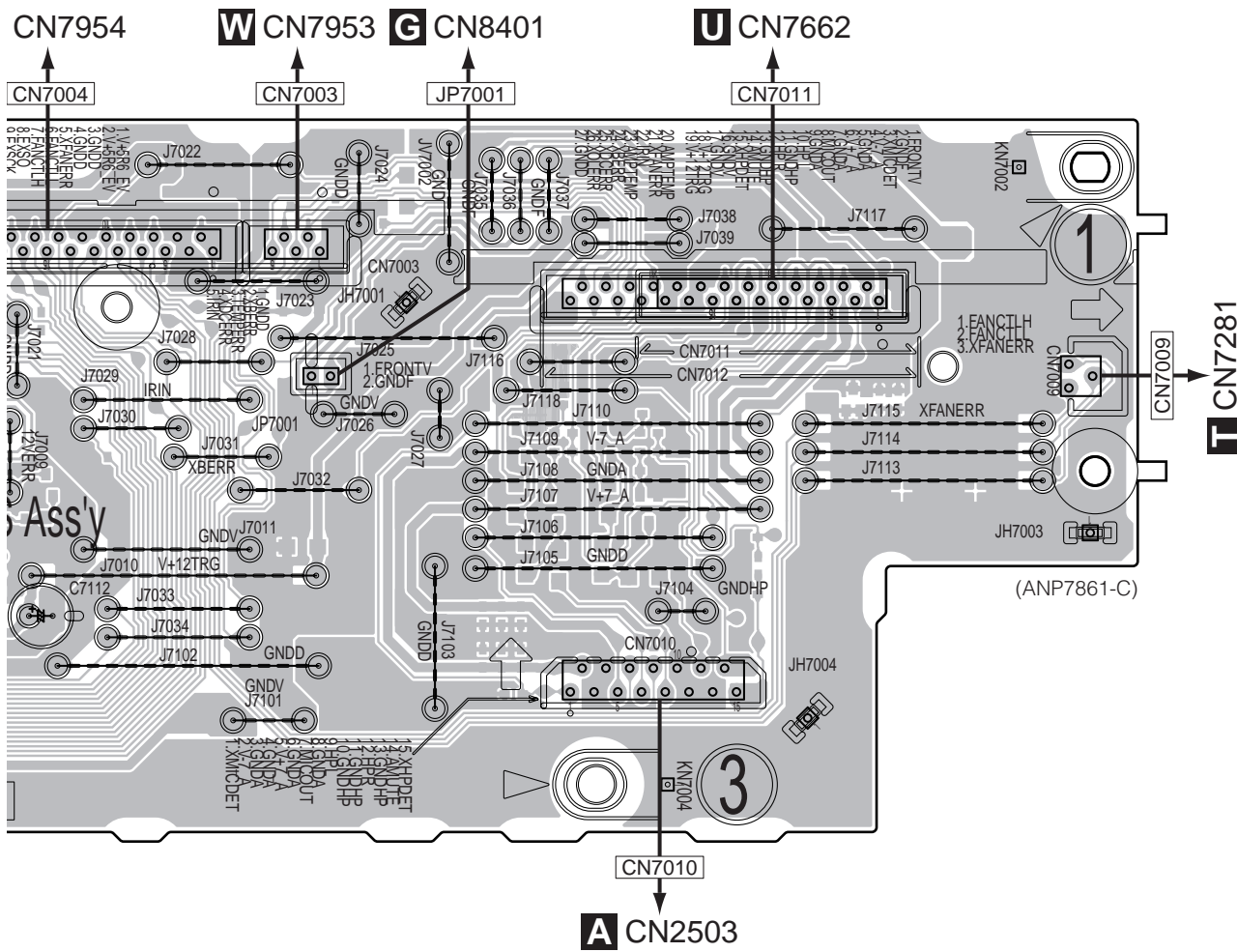
B

C

D

E

F



A CN2503

T CN7281

SC-75

F

SIDE B

A

F INTERFACE_S ASSY

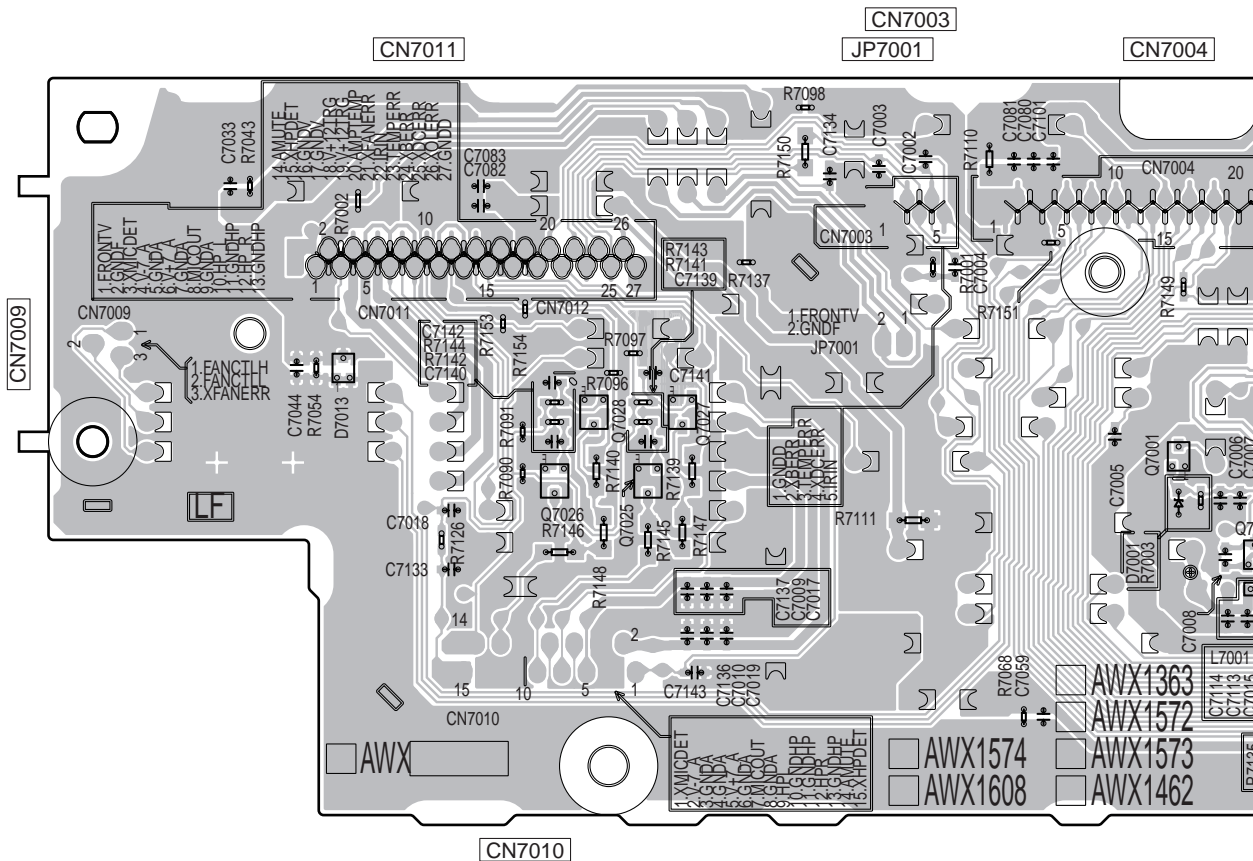
B

C

D

E

F

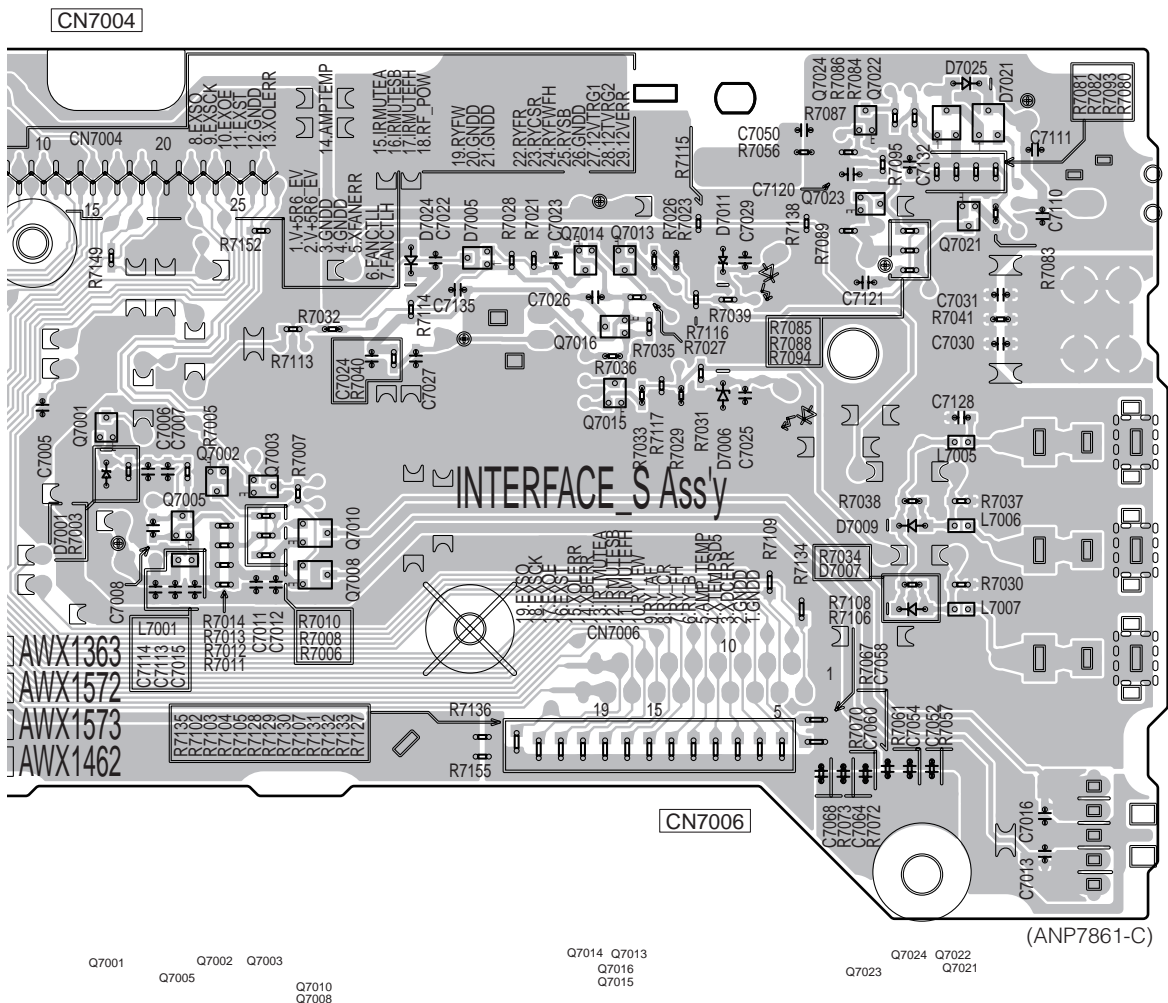


Q7028 Q7027 Q7001 Q70
 Q7026 Q7025

Q
 IC

SIDE B

A
B
C
D
E
F



SC-75

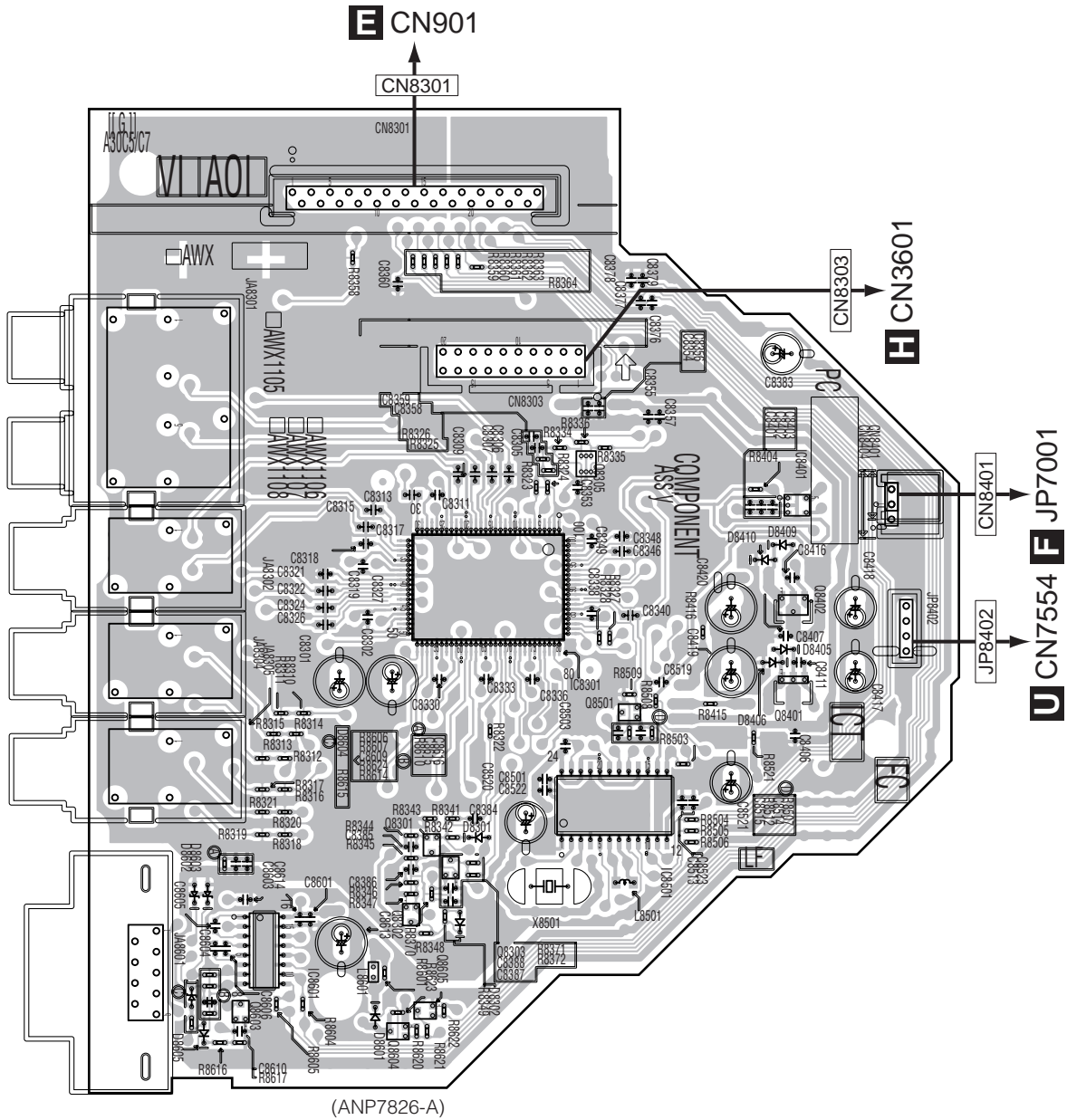


11.6 COMPONENT ASSY

SIDE A

SIDE A

G COMPONENT ASSY



Q	Q8603	Q8301 Q8302 Q8604 Q8605	Q8305 Q8501	Q8402 Q8401
IC	IC8601	IC8301	IC8501	IC8401

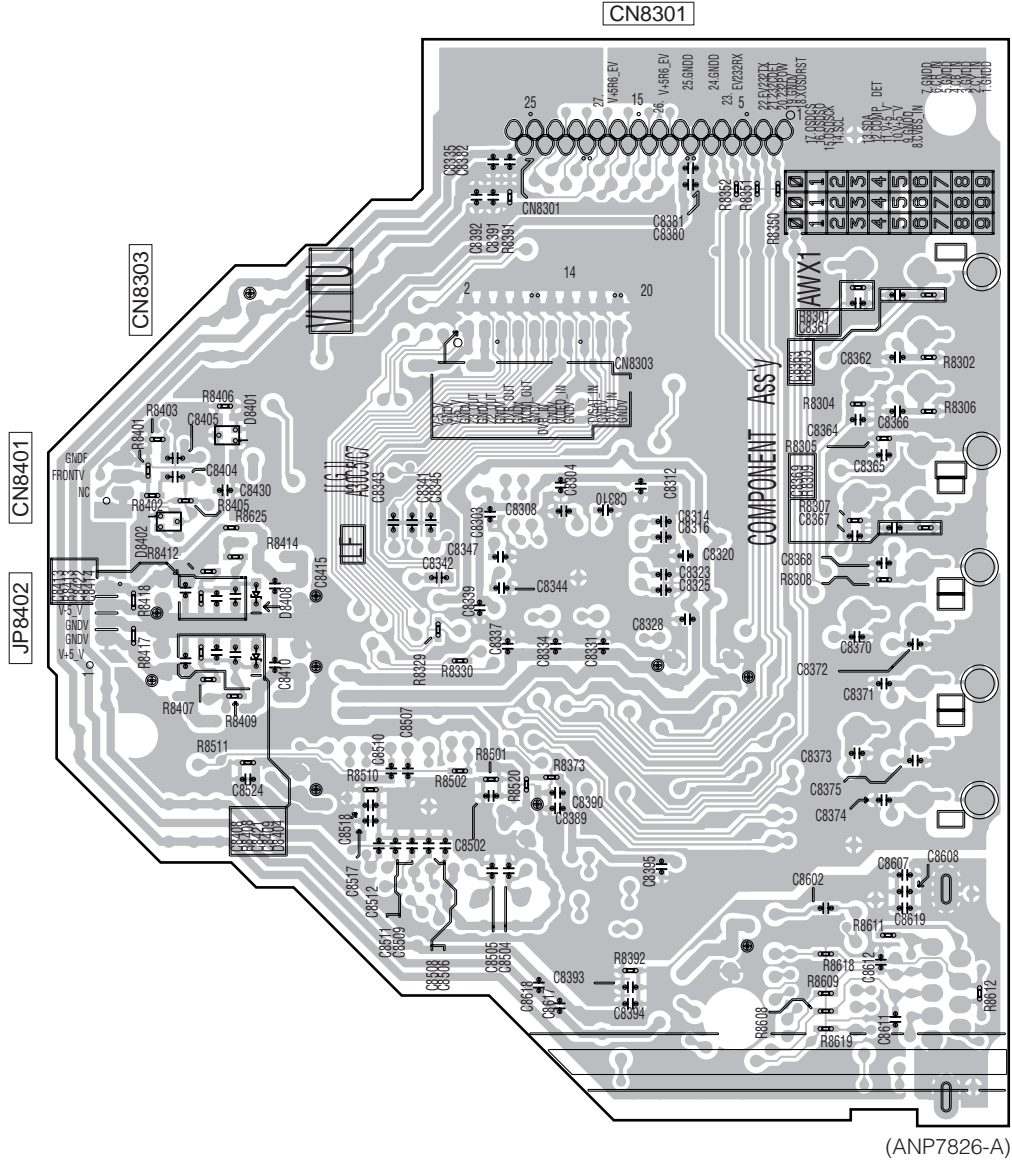
G

G

SIDE B

SIDE B

G COMPONENT ASSY



A
B
C
D
E
F

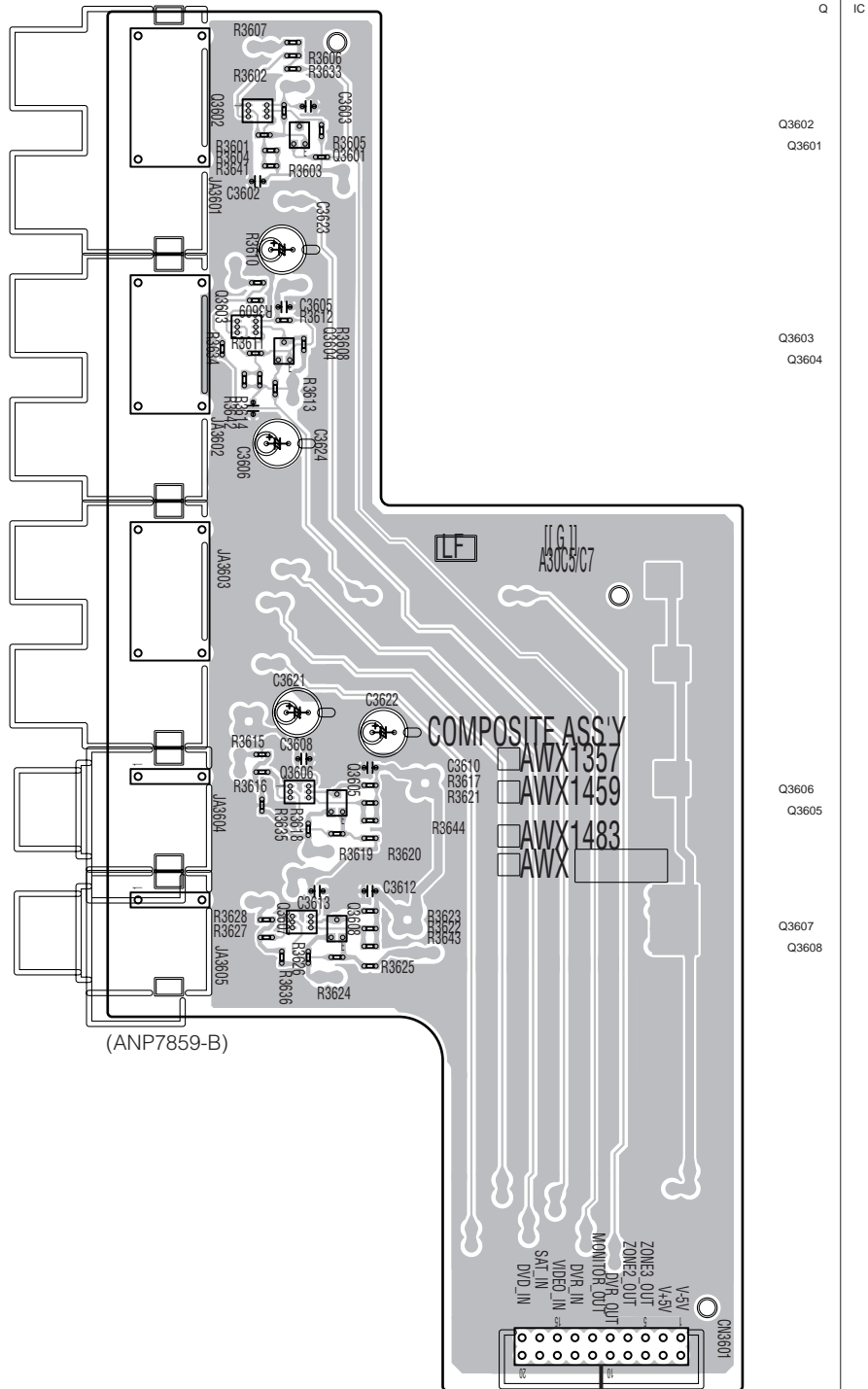


11.7 COMPOSITE ASSY

SIDE A

SIDE A

COMPOSITE ASSY



G CN8303



SIDE B

SIDE B

A

H COMPOSITE ASSY

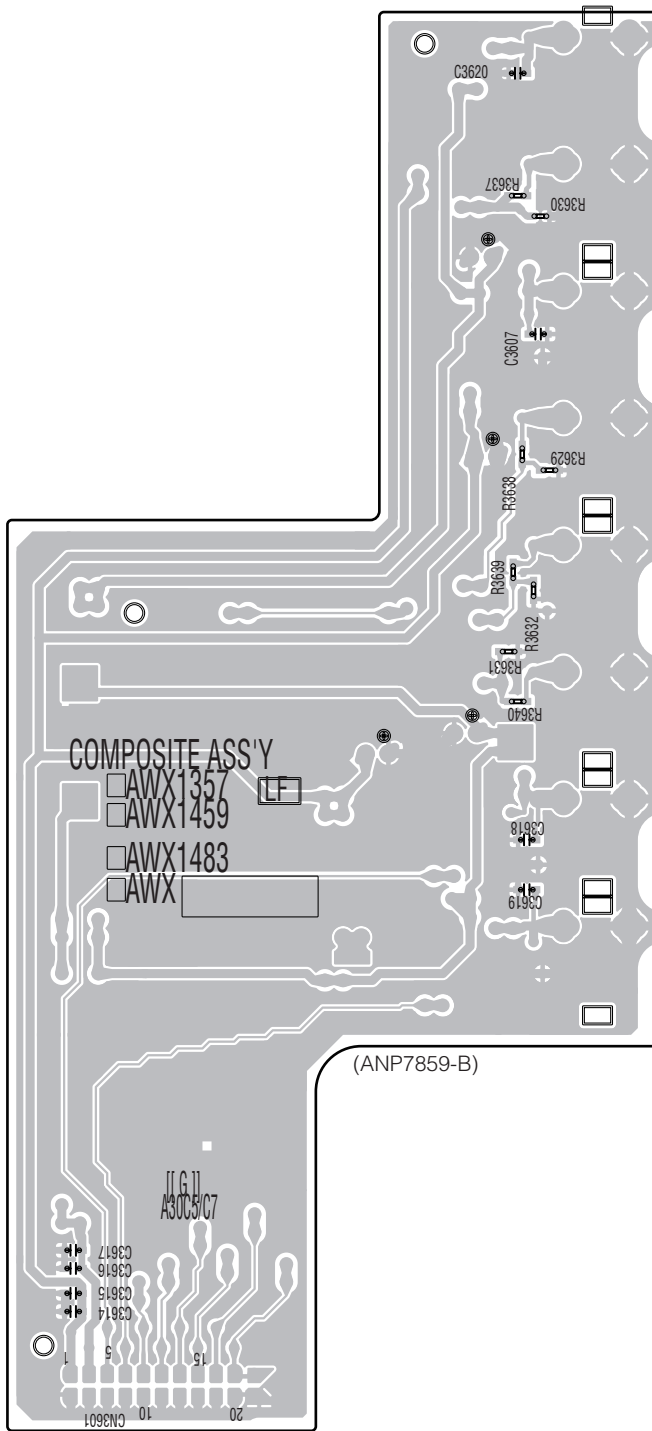
B

C

D

E

F



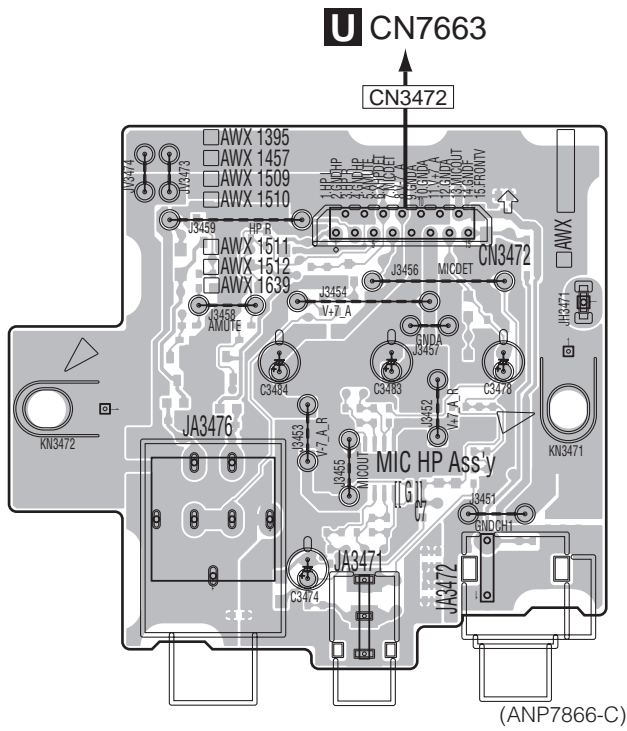
CN3601



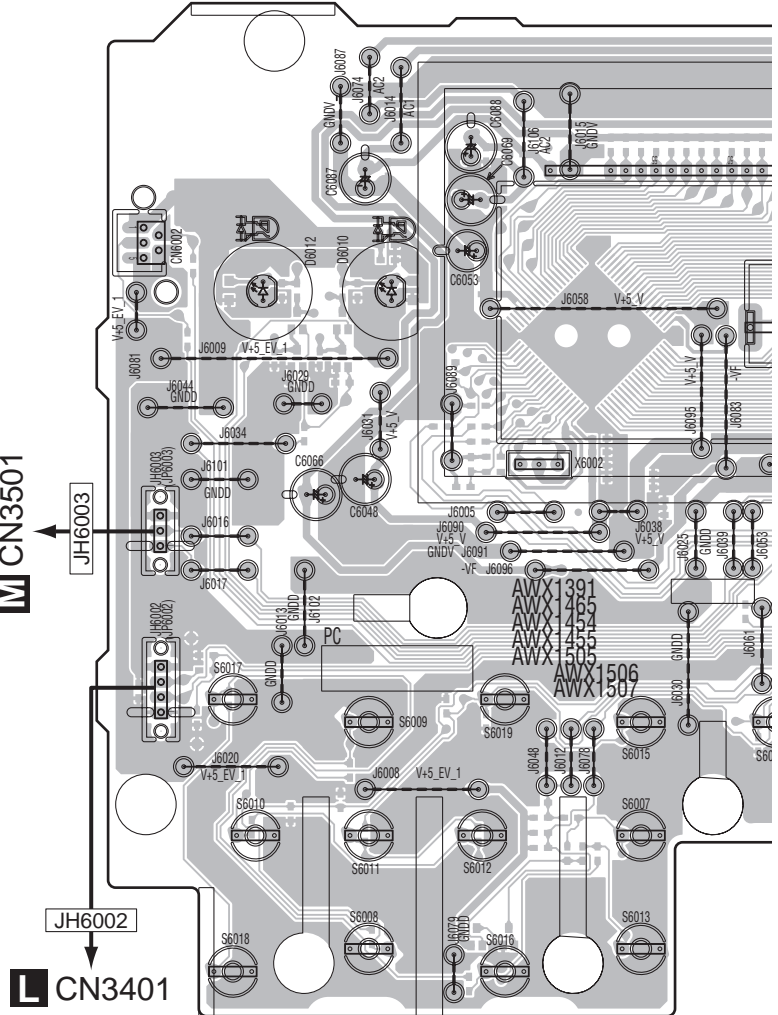
11.8 MIC HP, DISPLAY, VOL, POWER SW and ENCODER ASSYS

SIDE A

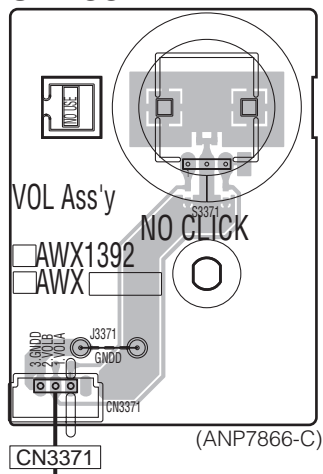
I MIC HP ASSY



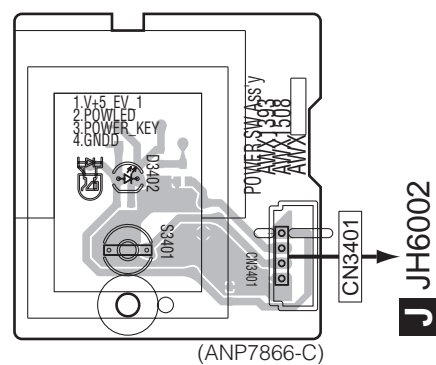
J DISPLAY ASSY



K VOL ASSY

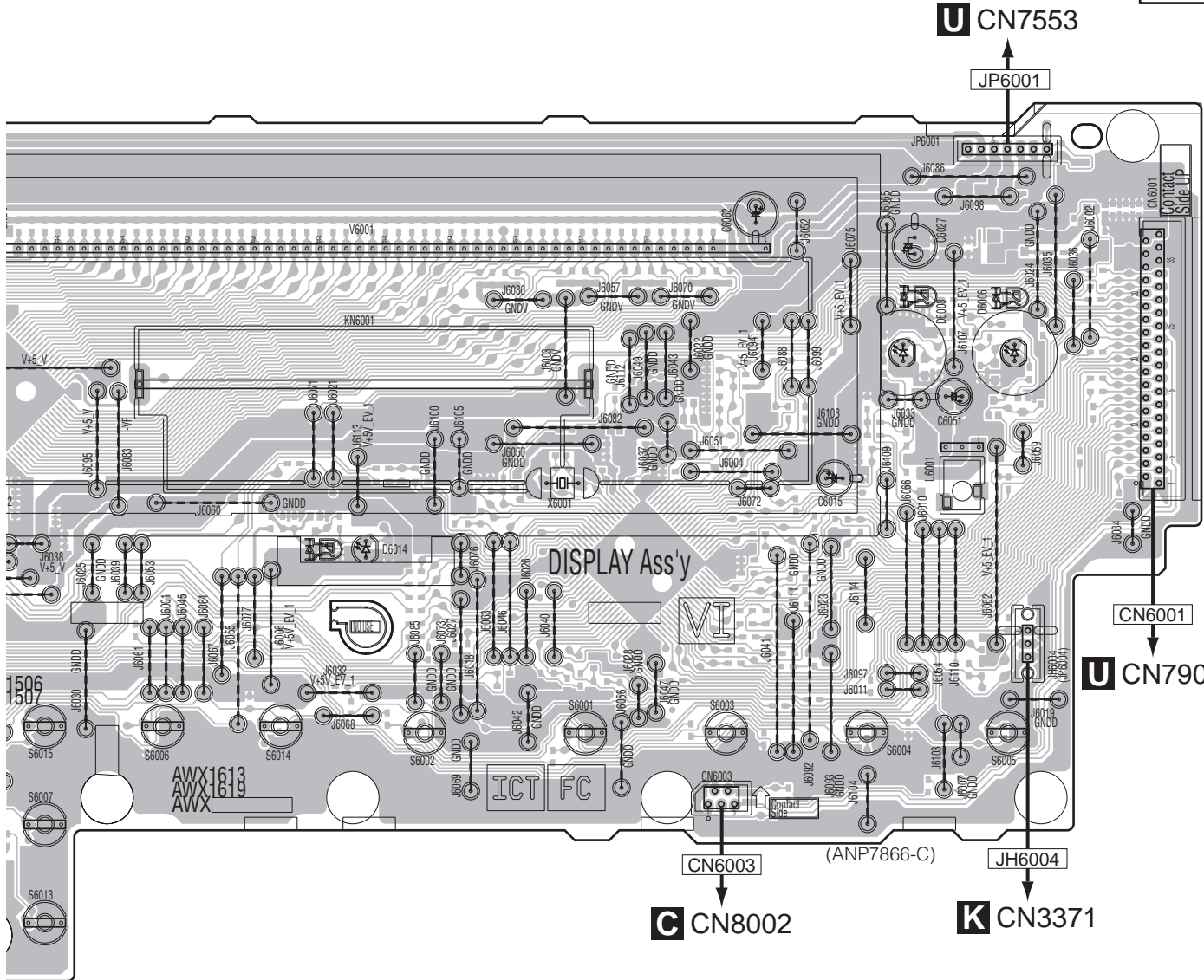


L POWER SW ASSY



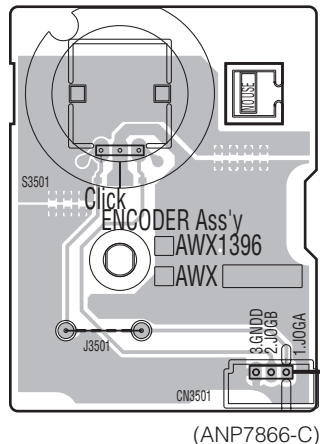
I J K L

SIDE A



A
B
C
D
E
F

M ENCODER ASSY



J JH6002

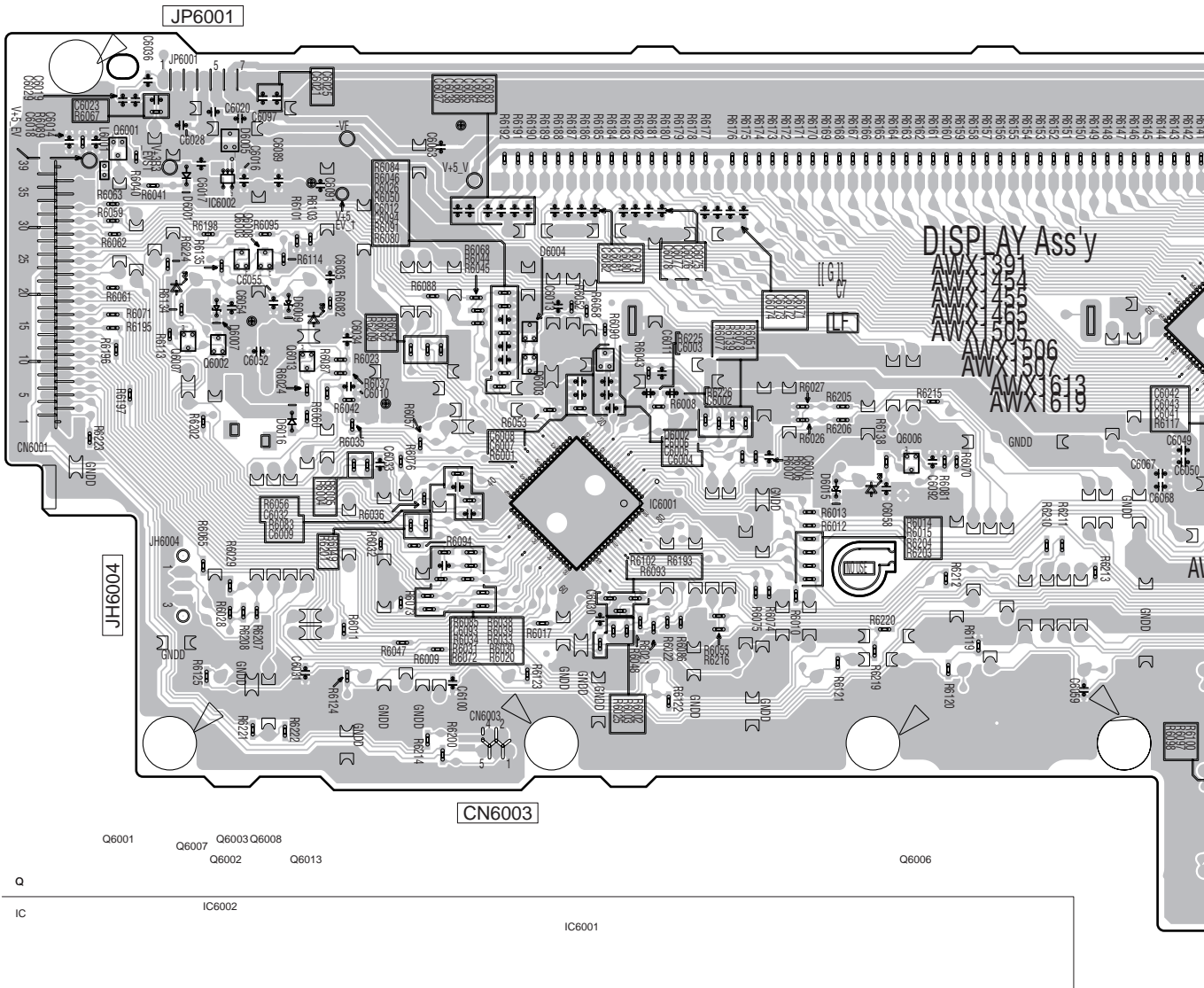
J JH6003

SC-75

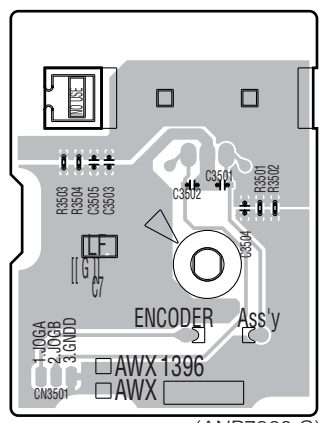
J **M**

SIDE B

J DISPLAY ASSY



M ENCODER ASSY



CN3501 (ANP7866-C)

J M

SIDE B

A

B

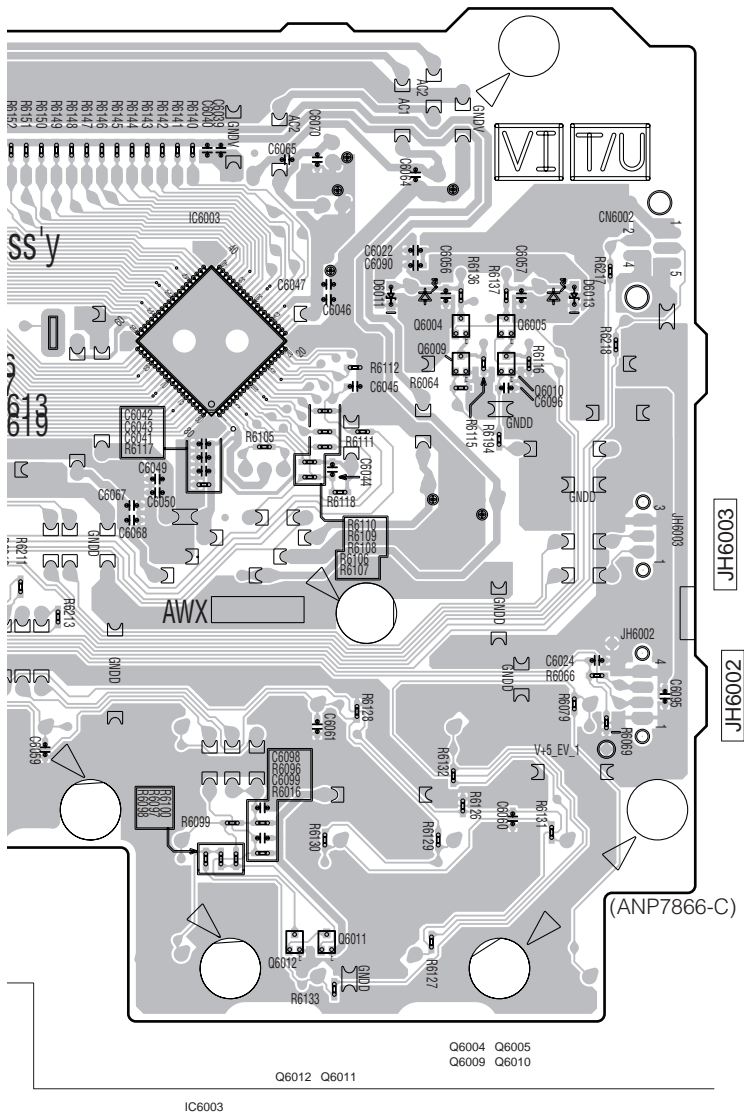
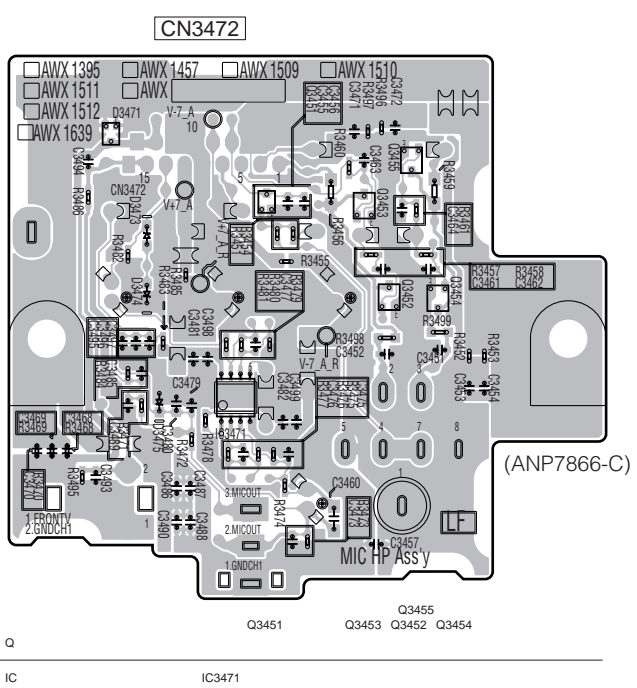
C

D

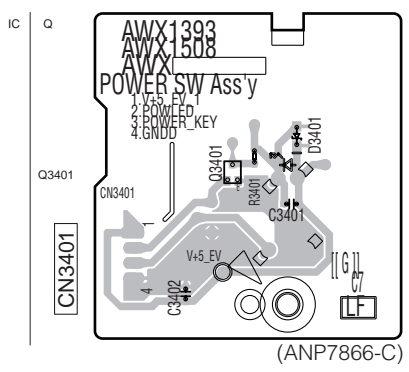
E

F

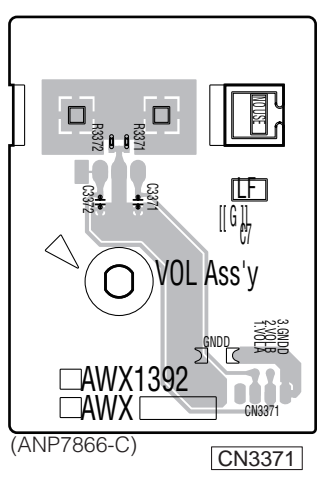
I MIC HP ASSY



L POWER SW ASSY



K VOL ASSY

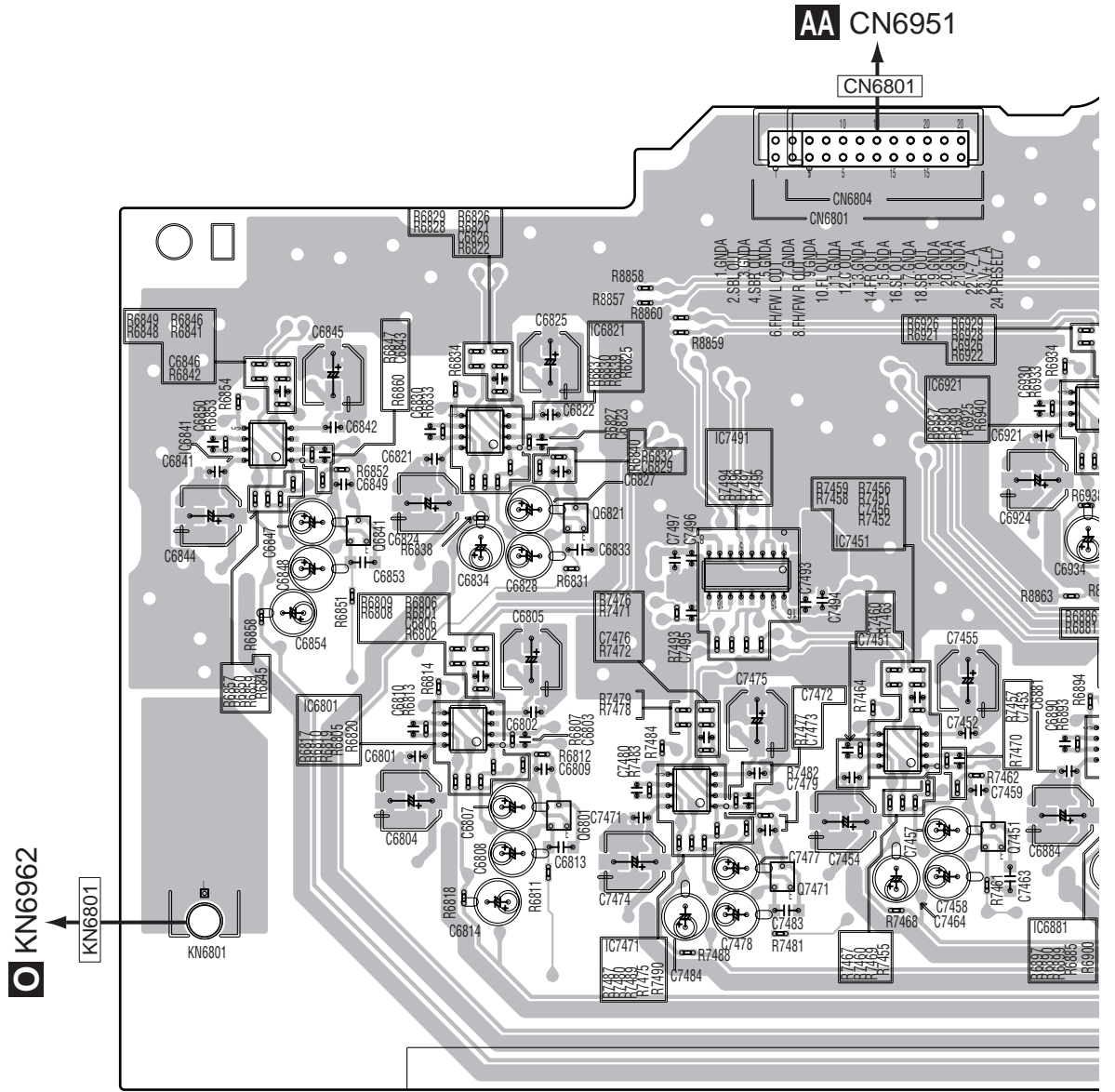


I J K L

11.9 IR BUFFER_S ASSY

SIDE A

N IR BUFFER_S ASSY



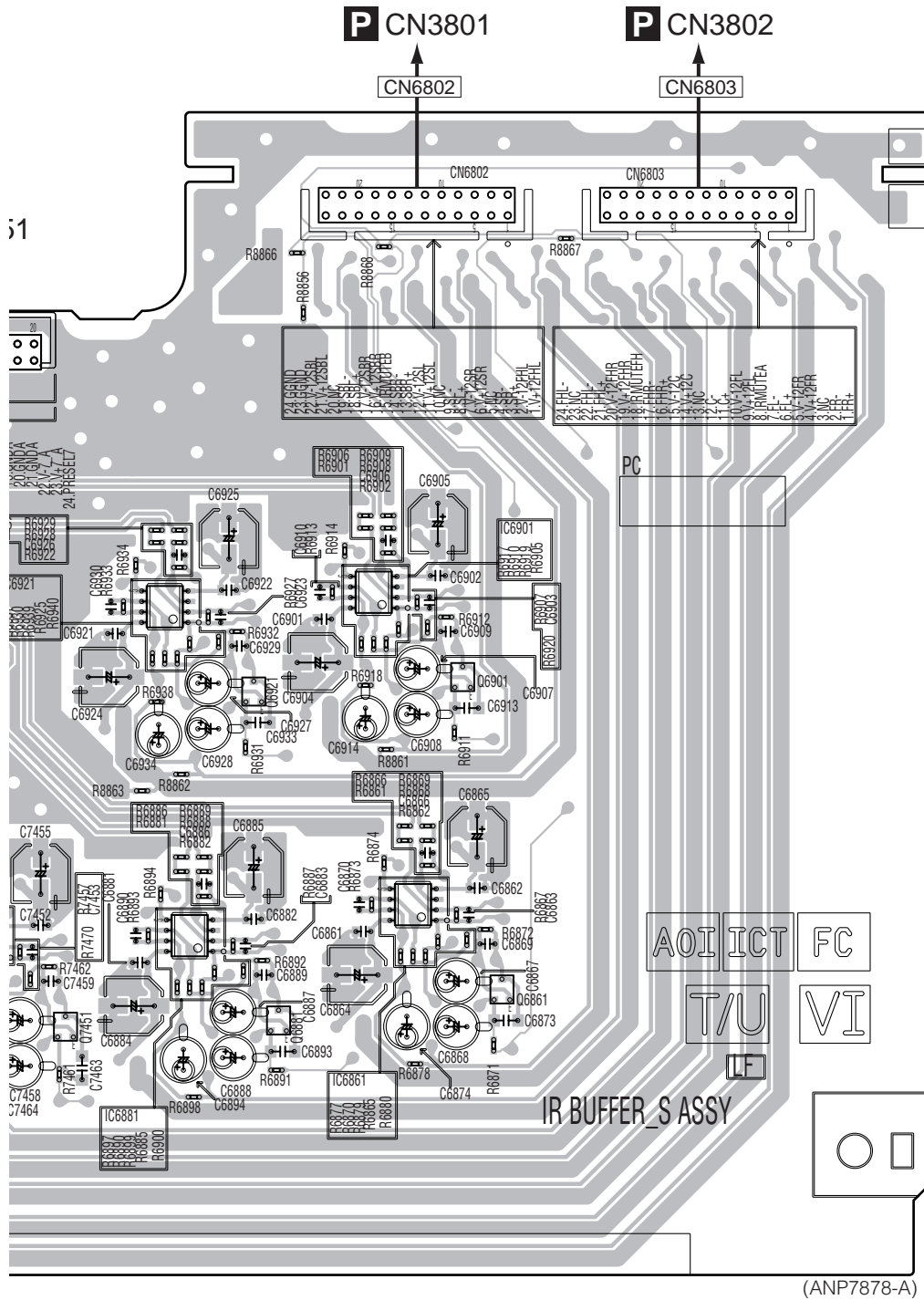
Q	Q6841	Q6821	Q7471	Q7451
IC	IC6841	IC6821 IC6801	IC7471	IC7491
			IC7451	IC6951

N
140

SC-75

SIDE A

A
B
C
D
E
F



51

SC-75

SIDE B

A

N IR BUFFER_S ASSY

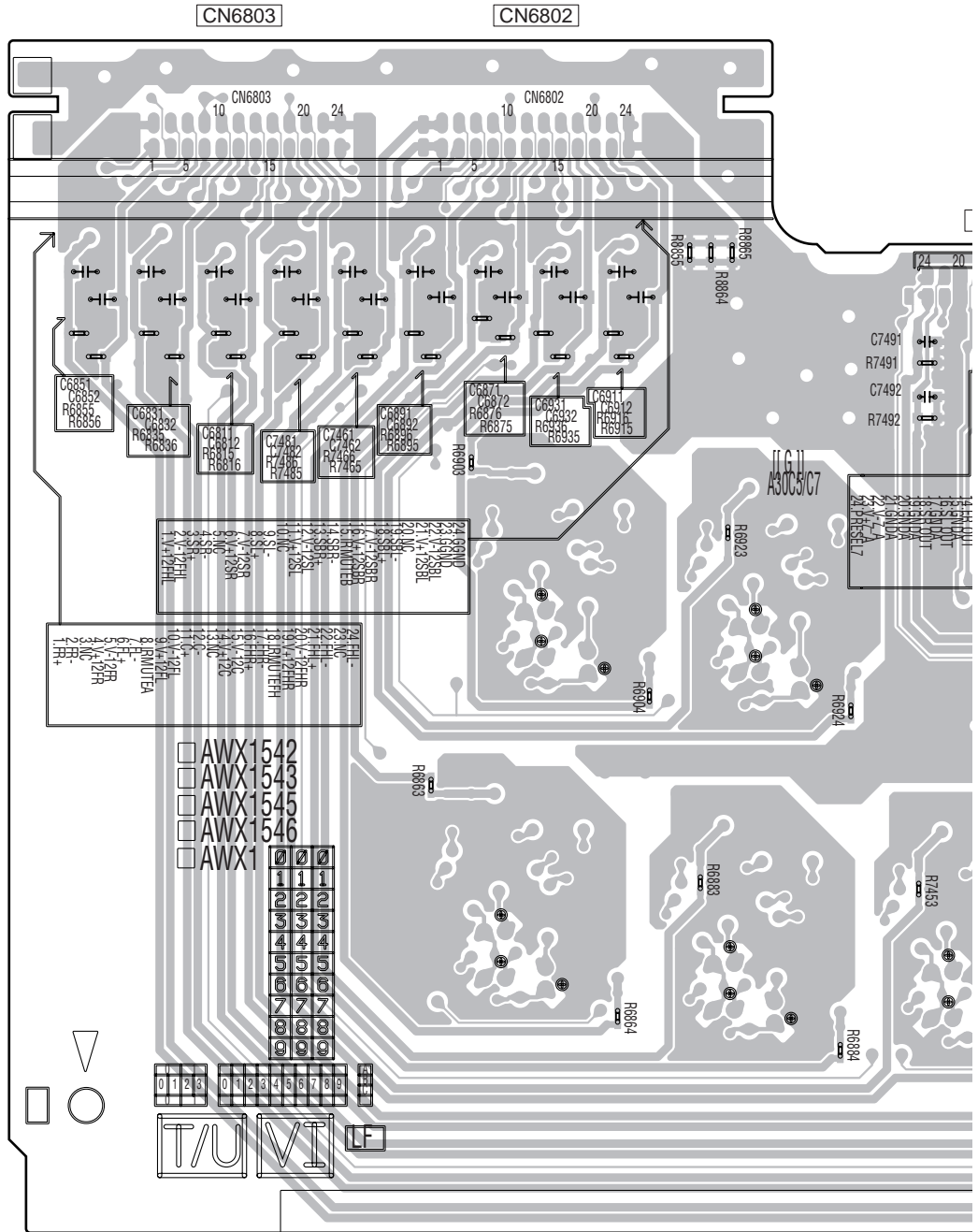
B

C

D

E

F



SIDE B

A

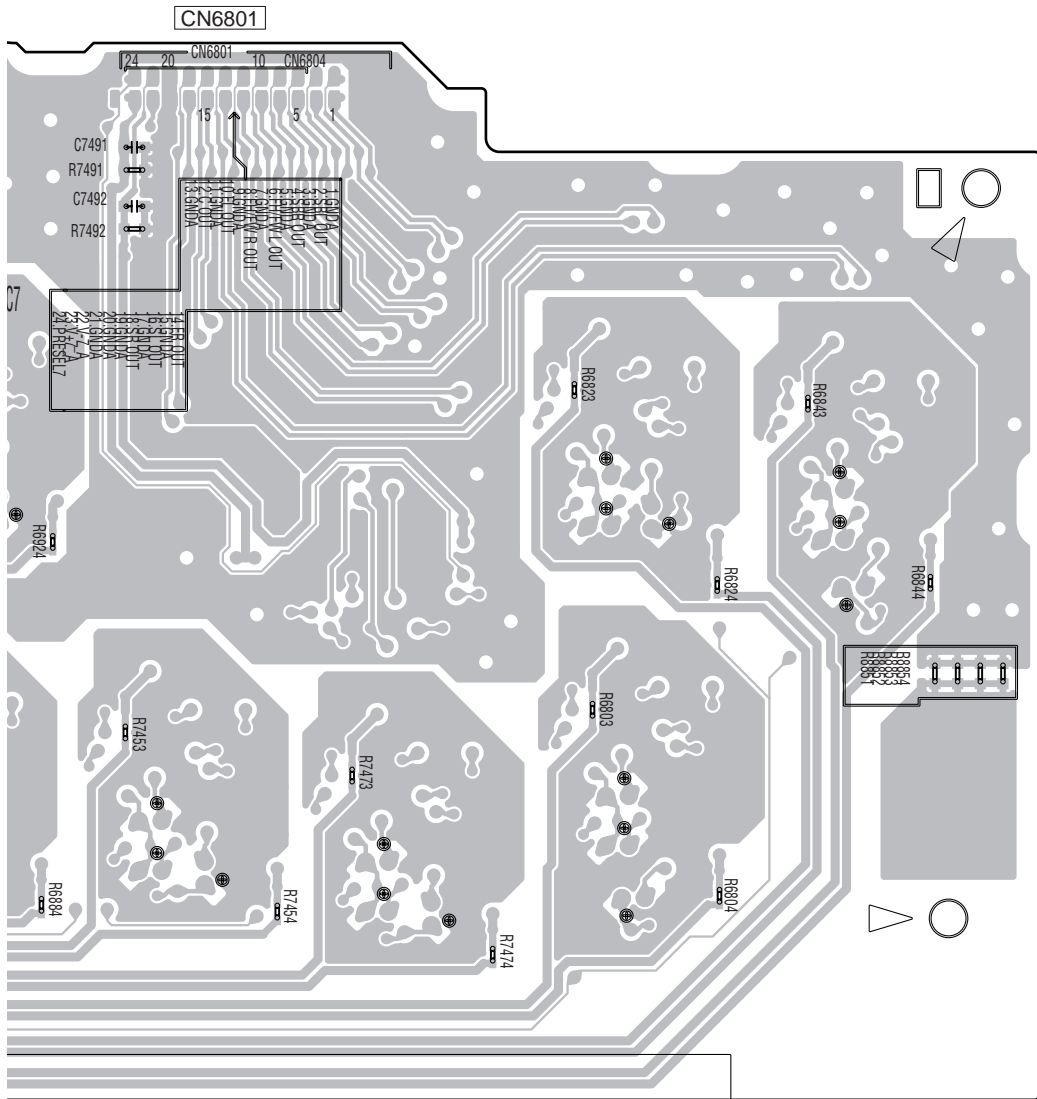
B

C

D

E

F



(ANP7878-A)

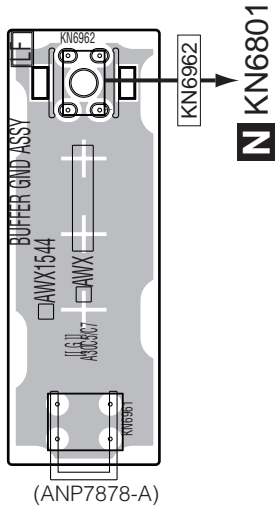


11.10 BUFFER GND ASSY and IR INTERFACE_S ASSY

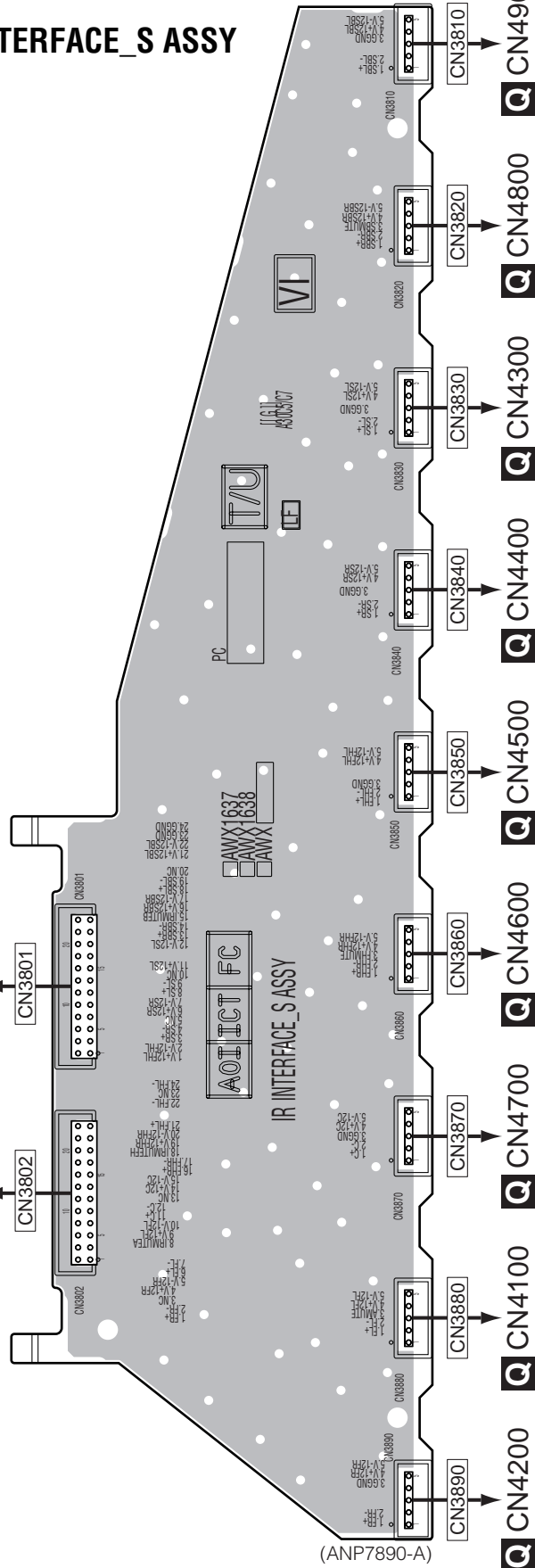
SIDE A

SIDE A

O BUFFER GND_S ASSY



P IR INTERFACE_S ASSY



N CN6802

N CN6803

Q CN4900
Q CN4800
Q CN4300
Q CN4400
Q CN4500
Q CN4600
Q CN4700
Q CN4100
Q CN4200

O P

O P

11.11 D-AMP_S ASSY

SIDE A

Q D-AMP_S ASSY

P CN3890 **P** CN3880 **P** CN3870 **P** CN3860 **P** CN3850

CN4200 CN4100 CN4700 CN4600 CN4500

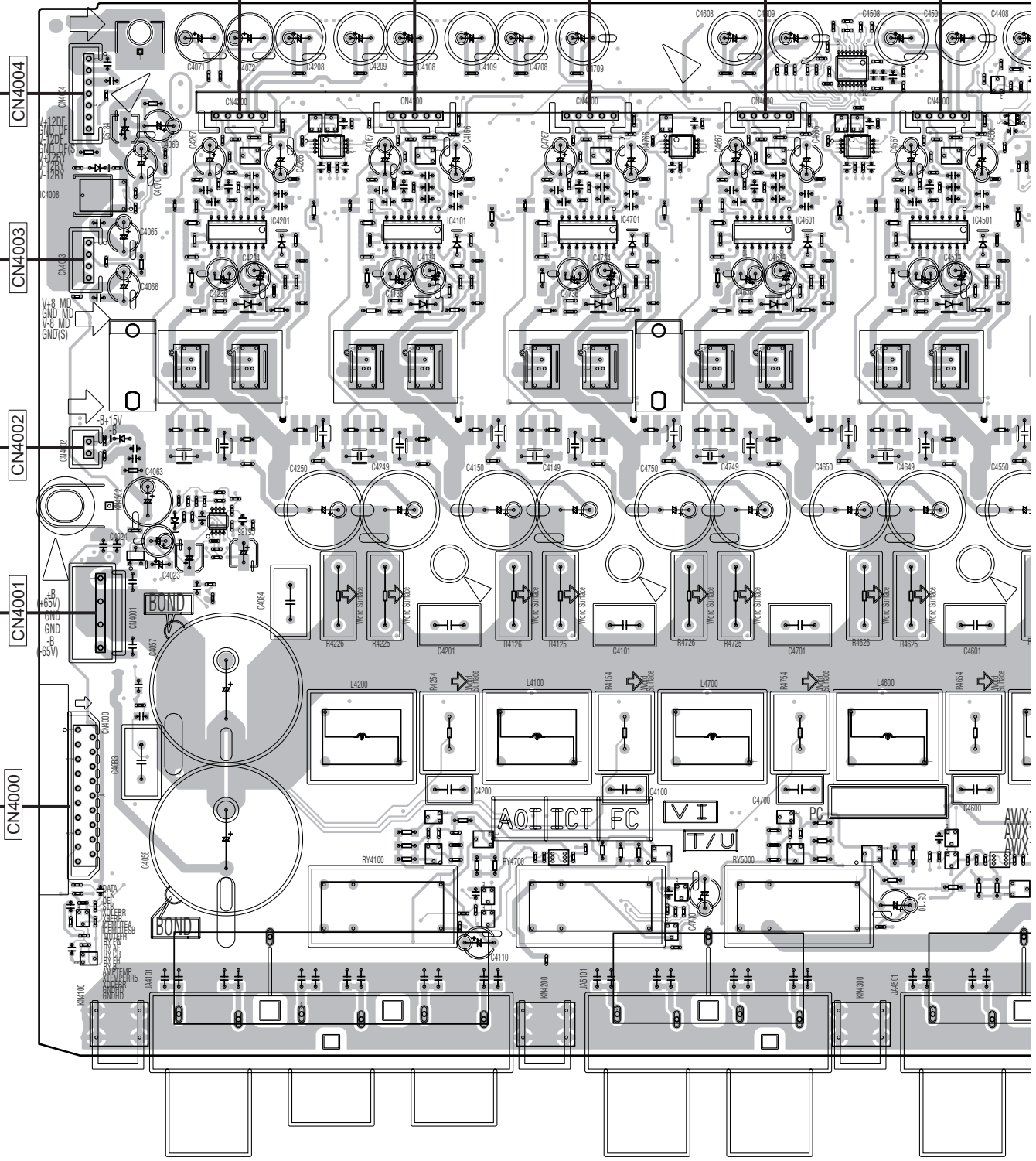
T CN7251

T CN7271

T CN7241

T CN7401

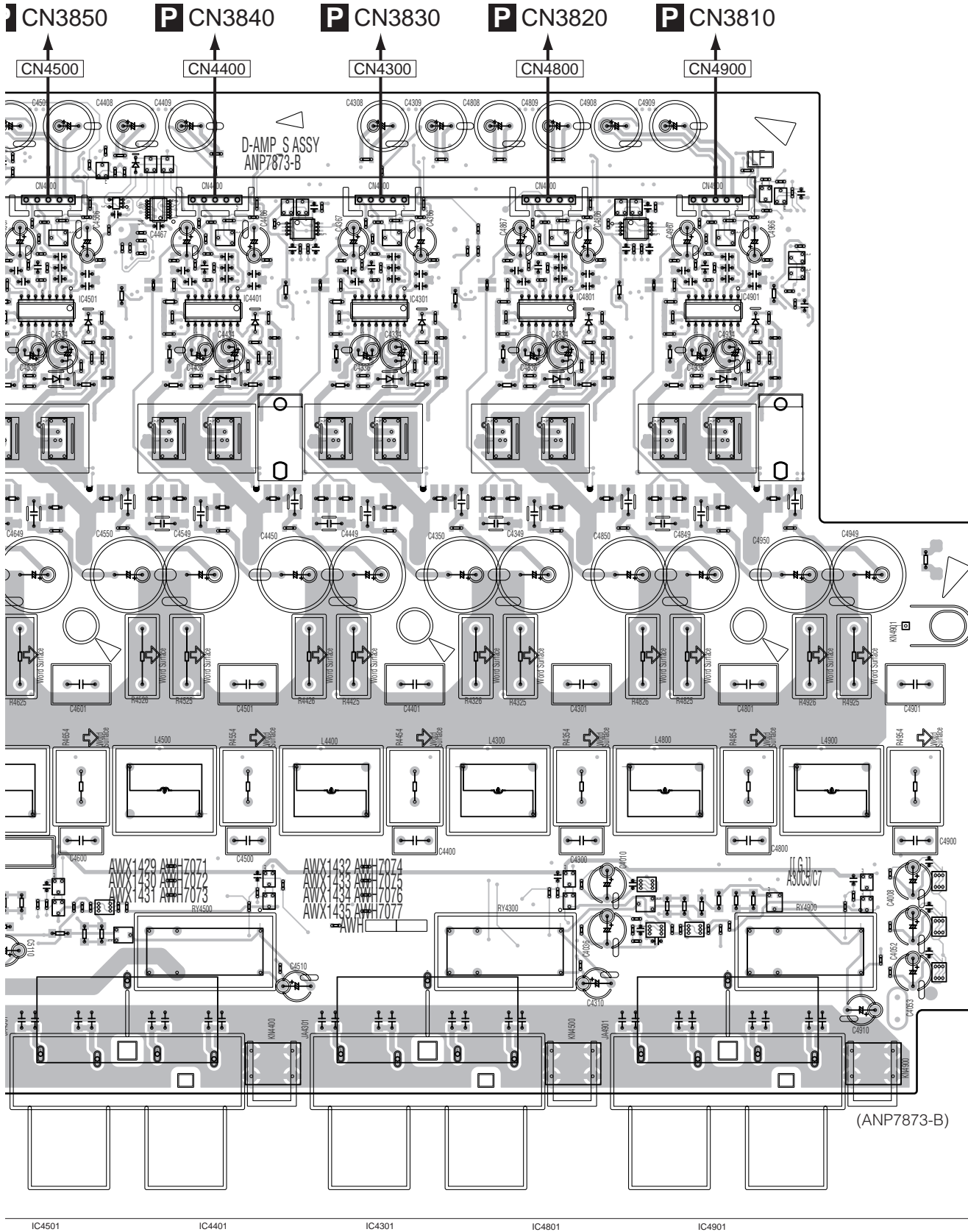
F CN7006



Q
IC IC4201 IC4101 IC4701 IC4601 IC4501



SIDE A



A
B
C
D
E
F



SIDE B

A

Q D-AMP_S ASSY (CUXJ MODEL, UXJCB MODEL)

B

C

D

E

F

CN4900

CN4800

CN4300

CN4400

CN4500

LF

IC4902

IC4803

IC4302

IC4403

IC4502

D4908

D4808

D4308

D4408

D4508

D4608

D4909

D4809

D4309

D4409

D4509

D4609

VI

Q

IC

IC4902

IC4803

IC4302

IC4403

IC



SIDE B

A

B

C

D

E

F

CN4500

CN4600

CN4700

CN4100

CN4200

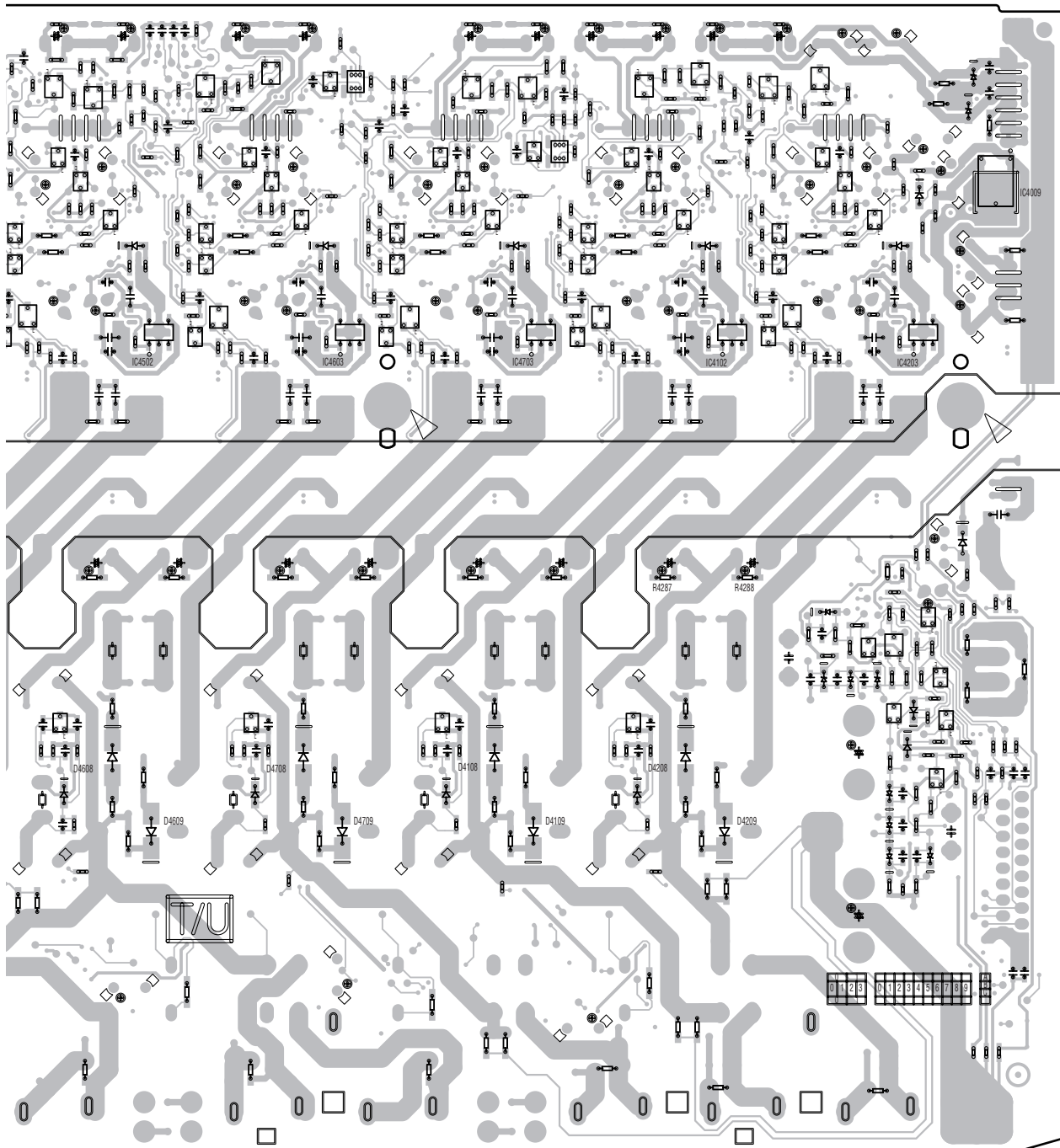
CN4004

CN4003

CN4002

CN4001

CN4000



(ANP7873-B)

IC4502

IC4603

IC4703

IC4102

IC4203

IC4009

SC-75



SIDE B

Q D-AMP_S ASSY (SYXJ8 MODEL, JXJ MODEL)

A

B

C

D

E

F

CN4900

CN4800

CN4300

CN4400

CN4500

LF

IC4902

IC4803

IC4302

IC4403

II

IC



SIDE B

A

B

C

D

E

F

CN4500

CN4600

CN4700

CN4100

CN4200

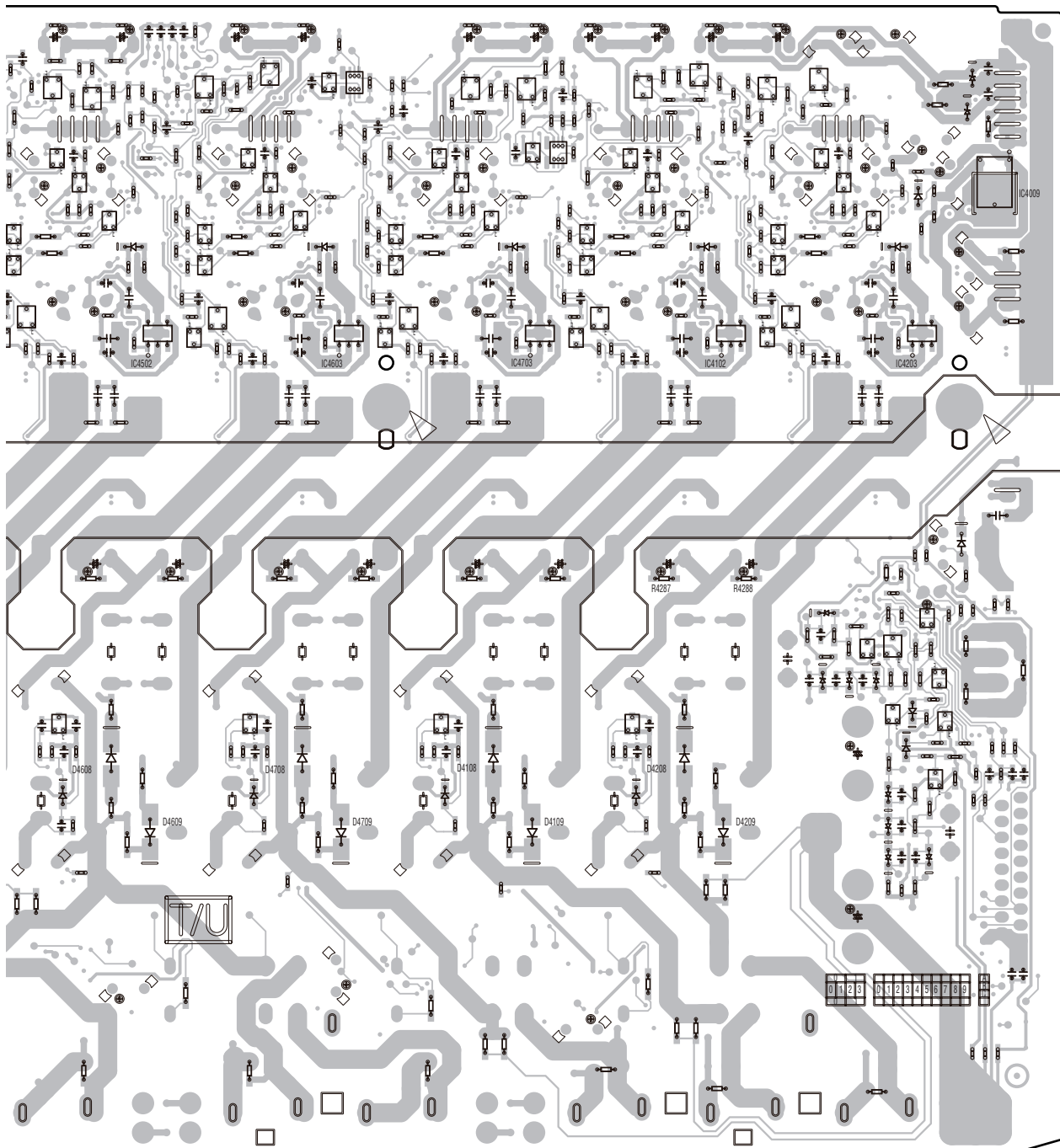
CN4004

CN4003

CN4002

CN4001

CN4000



(ANP7893-A)

IC4502

IC4603

IC4703

IC4102

IC4203

IC4009

SC-75

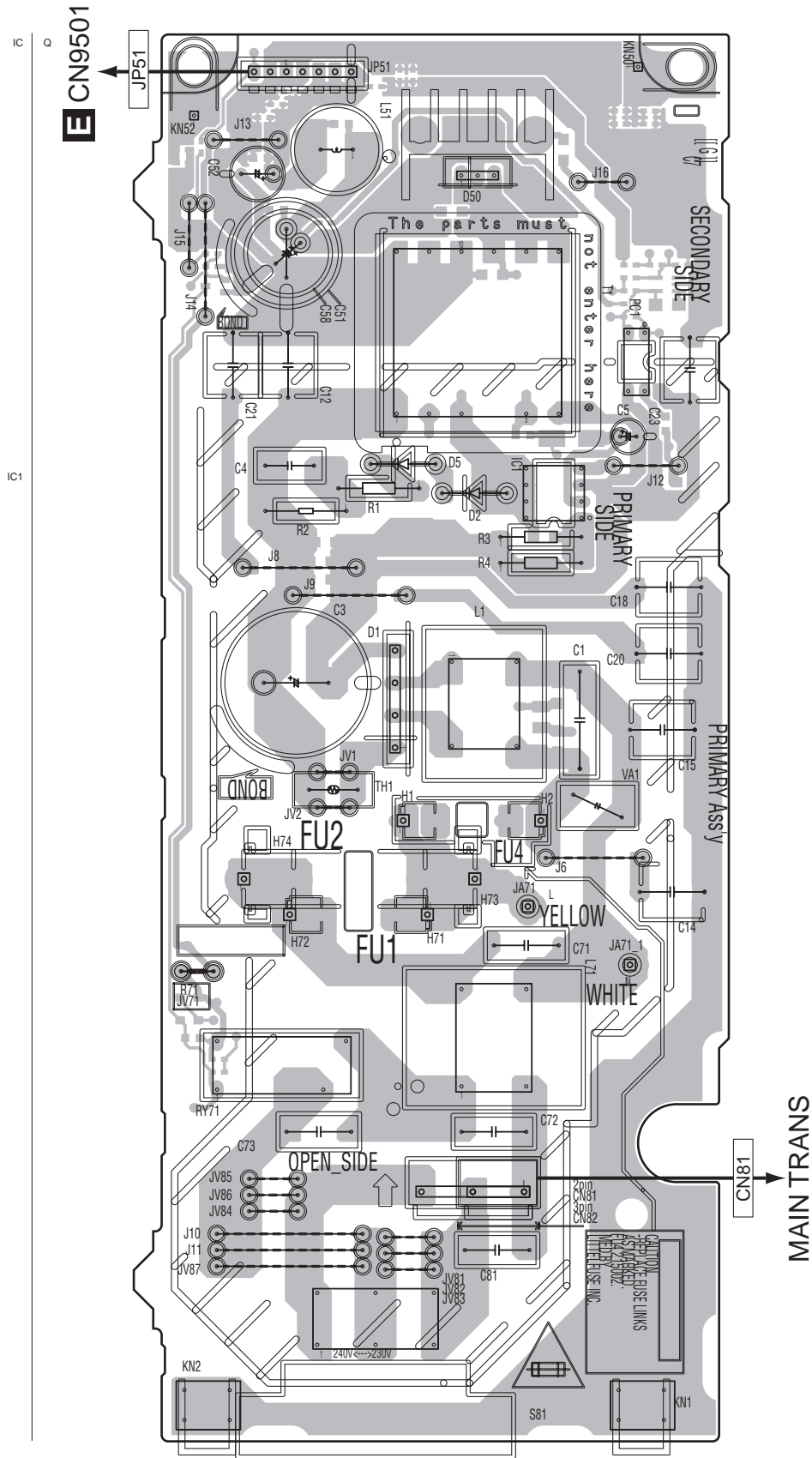


11.12 PRIMARY ASSY

SIDE A

SIDE A

R PRIMARY ASSY



(ANP7866-C)

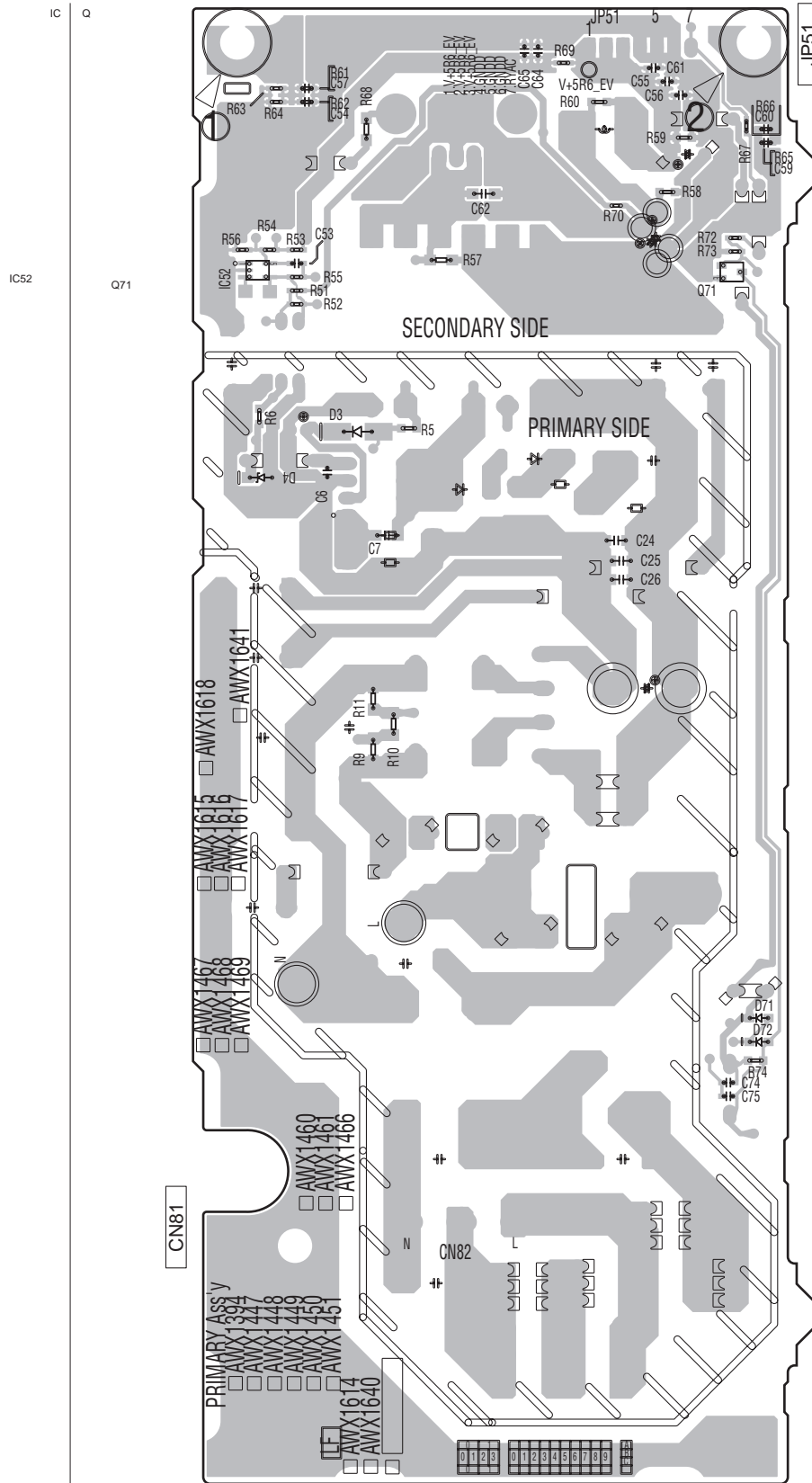
R

R

SIDE B

SIDE B

R PRIMARY ASSY



(ANP7866-C)

R

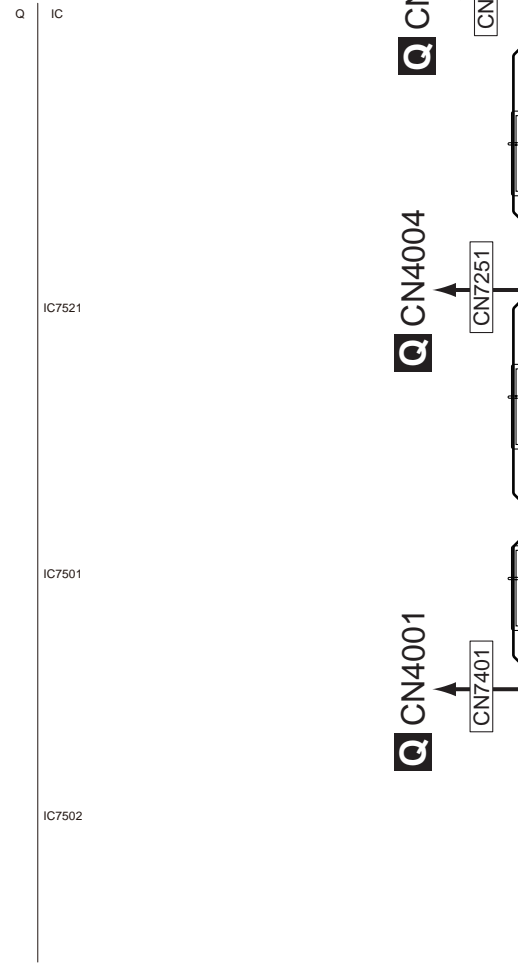
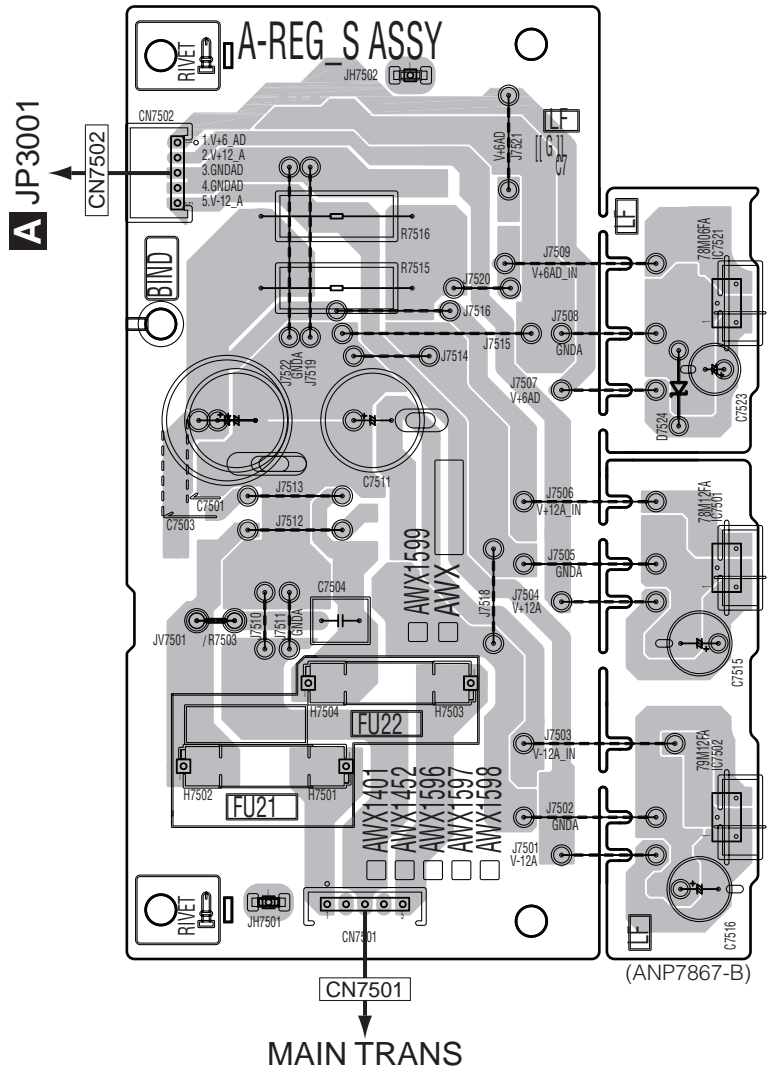
R

SC-75

11.13 A-REG_S ASSY and IR REG_S ASSY

SIDE A

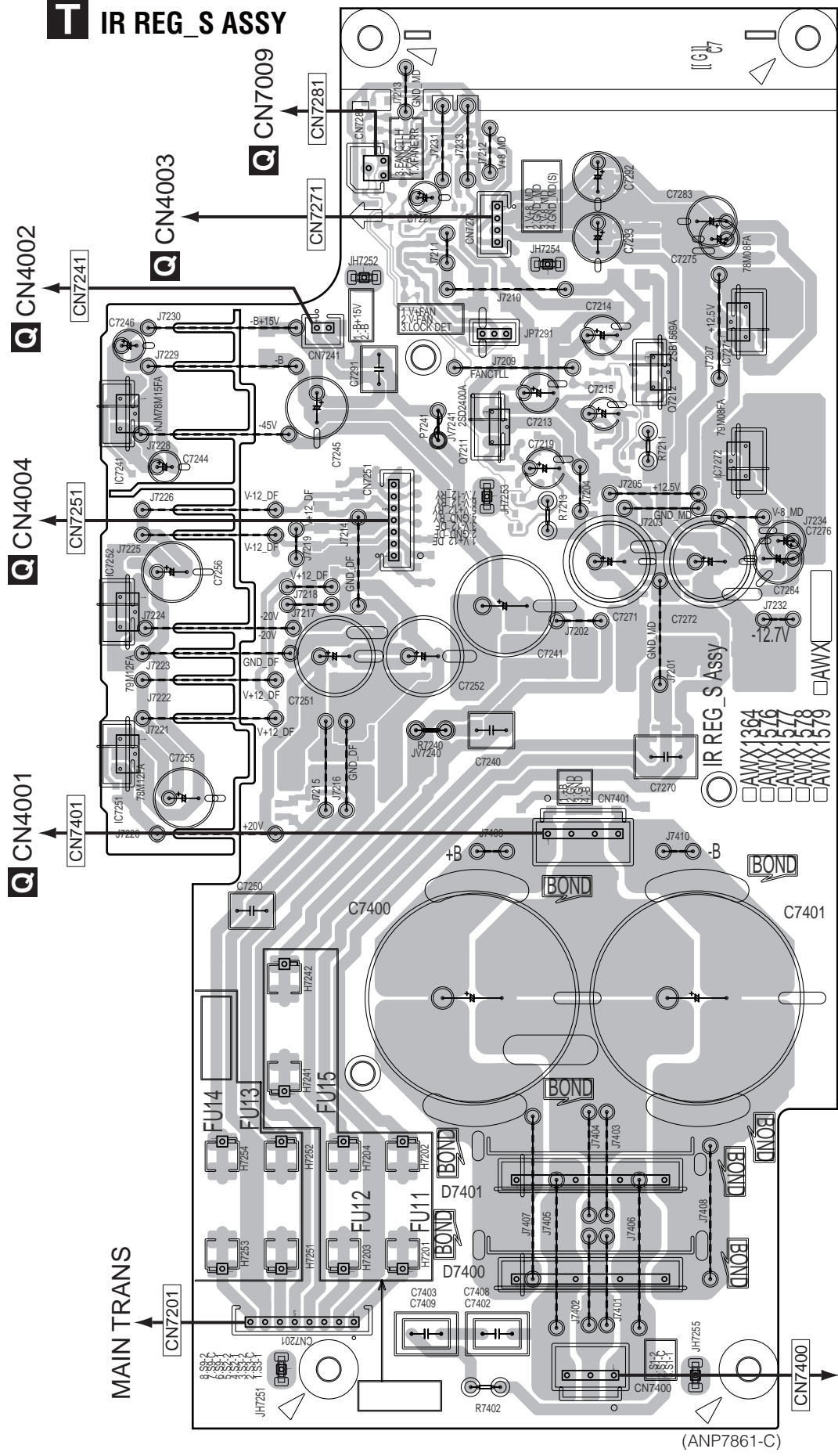
S A-REG_S ASSY



S

SIDE A

T IR REG_S ASSY



Q	IC	
		A
		B
		C
		D
		E
		F

MAIN TRANS

MAIN TRANS

SC-75

T

SIDE B

A

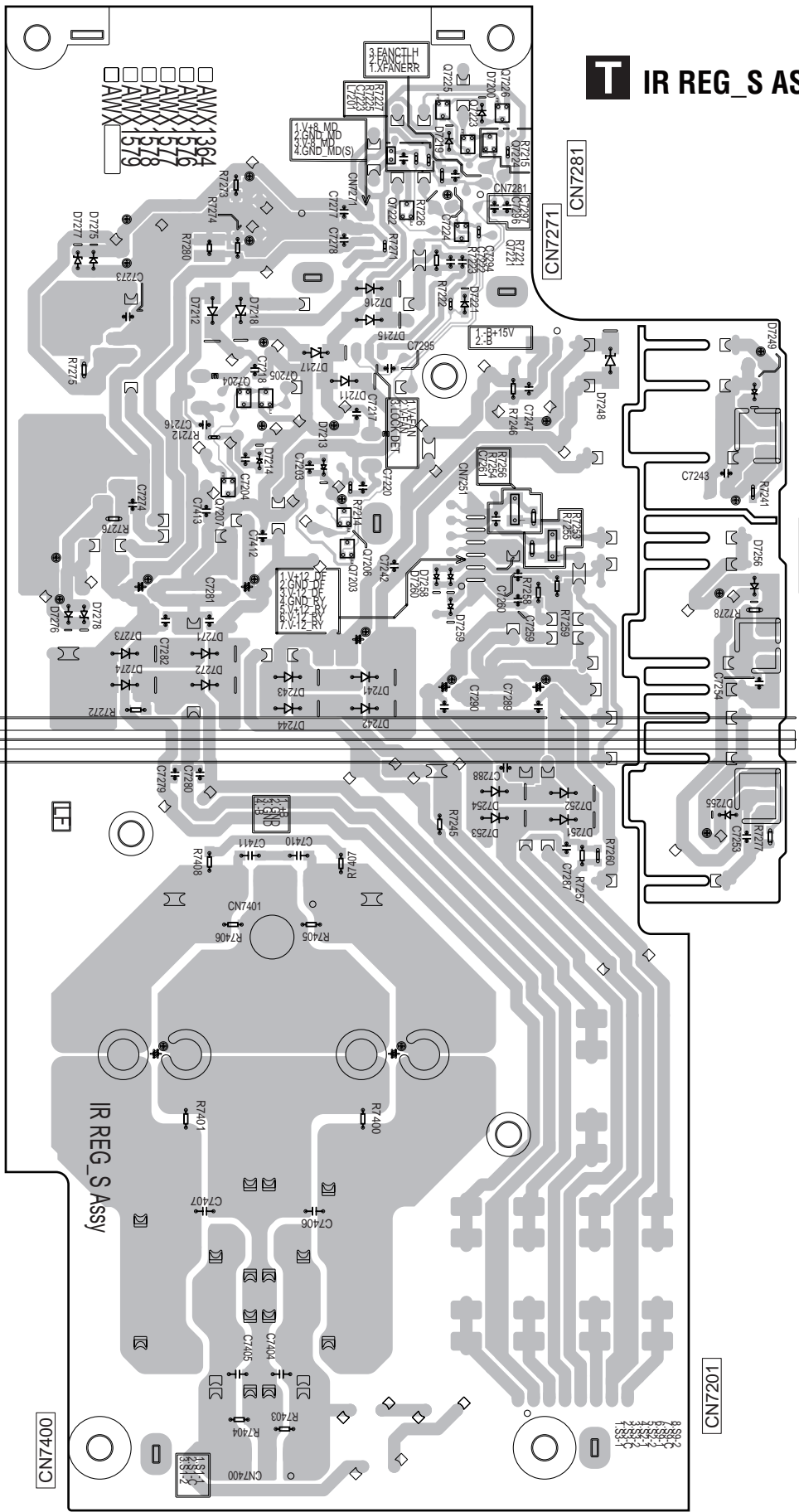
B

C

D

E

F



IR REG_S ASSY

Q7225 Q7226
Q7223 Q7224

Q7222
Q7221

Q7204 Q7205

Q7207
Q7206
Q7203

CN7401

CN7241

CN7251

CN7271

CN7281

CN7201

CN7400

(ANP7861-B)

SC-75



SIDE B

A

B

C

D

E

F

Q IC

Q7226
Q7224

Q7221

Q7205

17

206

7203

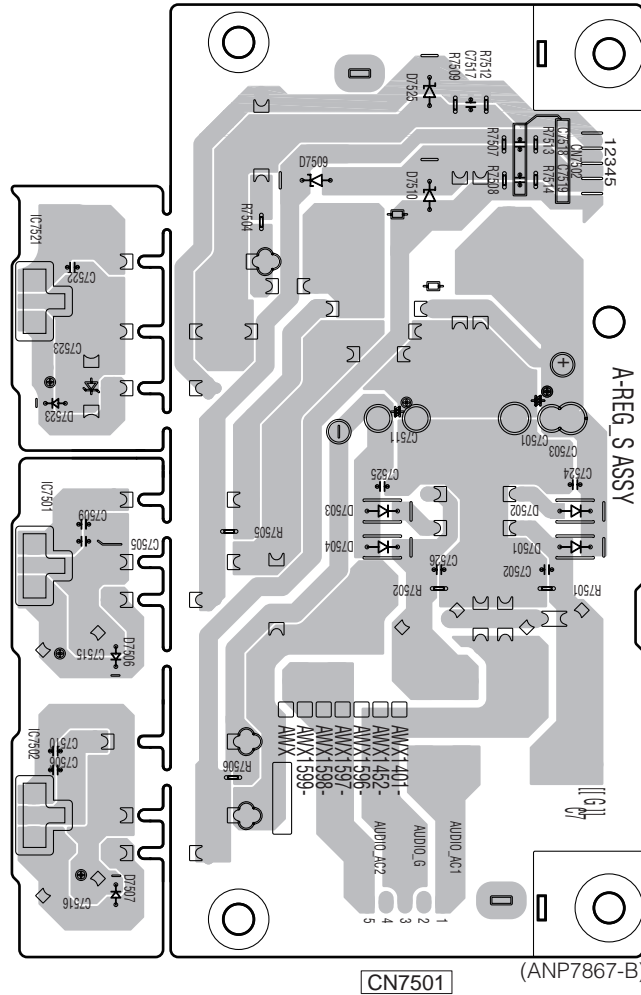
Q IC

IC7521

IC7501

IC7502

S A-REG_S ASSY



CN7501

(ANP7867-B)

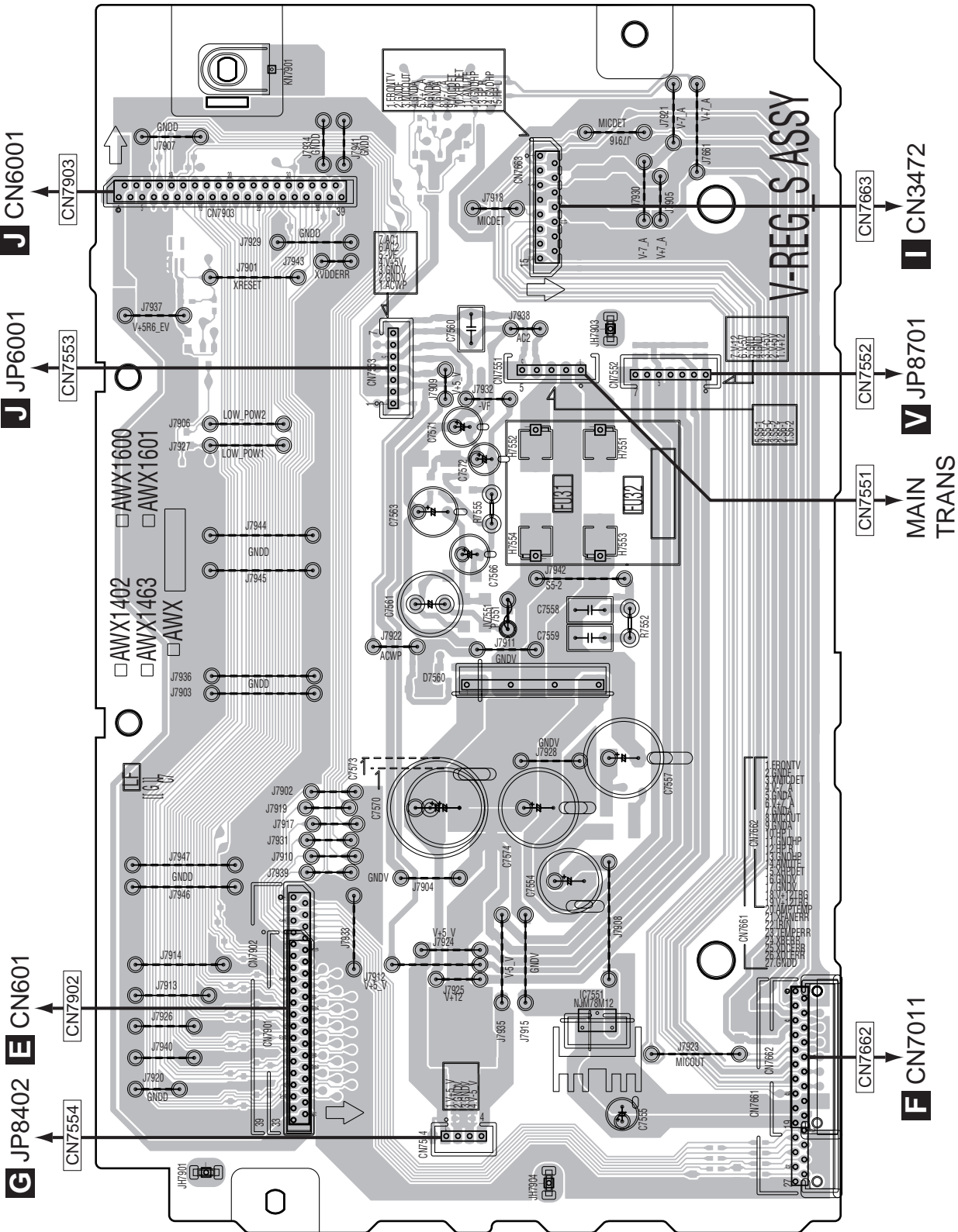
S

11.14 V-REG_S ASSY

SIDE A

SIDE A

V-REG_S ASSY



(ANP7867-B)

q

ic

IC7551

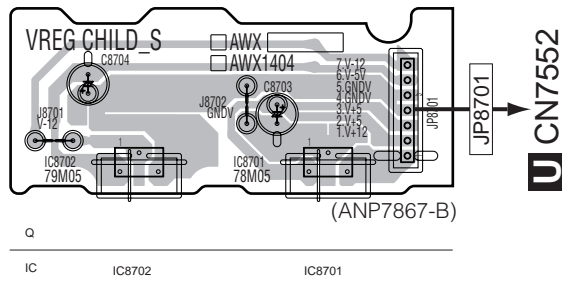


11.15 VREG CHILD_S ASSY, CONNECT_S ASSY and A-DAC BRIDGE ASSY

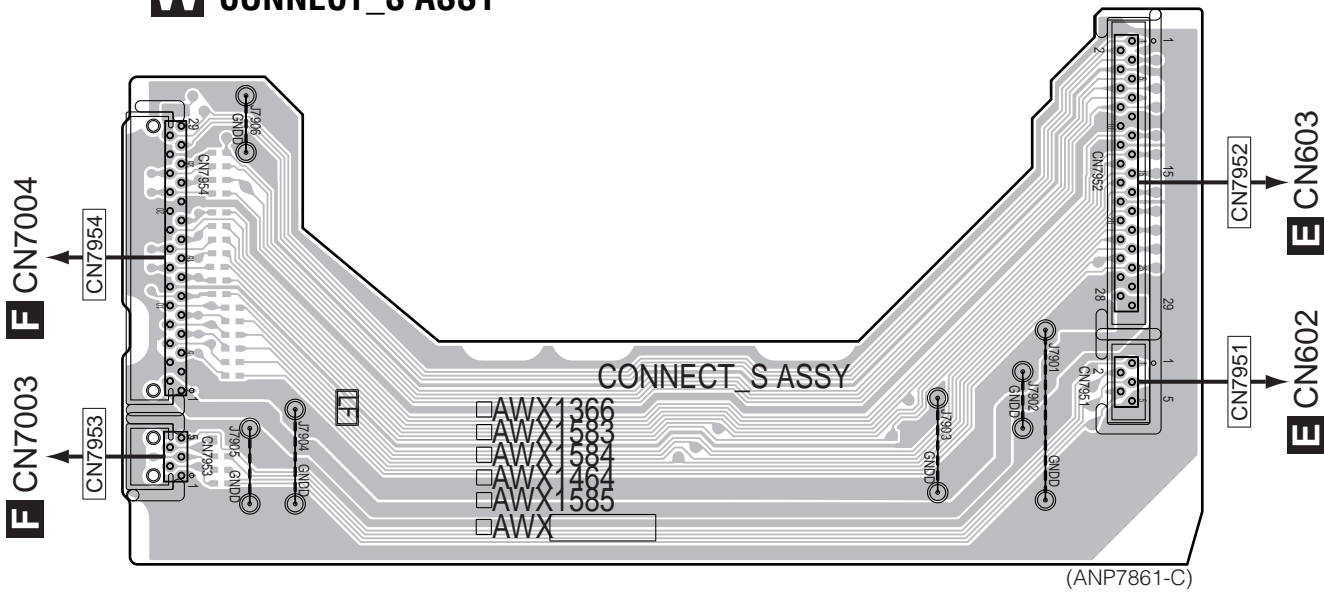
SIDE A

SIDE A

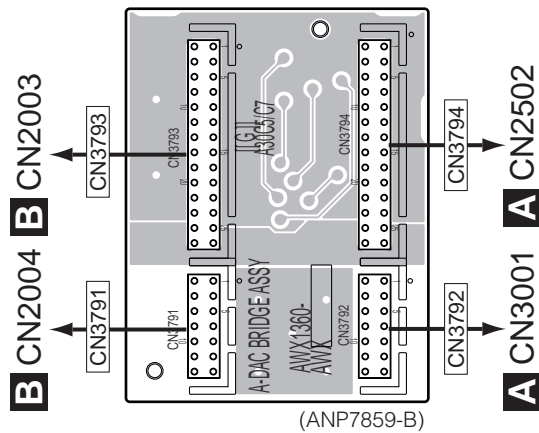
V VREG CHILD_S ASSY



W CONNECT_S ASSY



X A-DAC BRIDGE ASSY



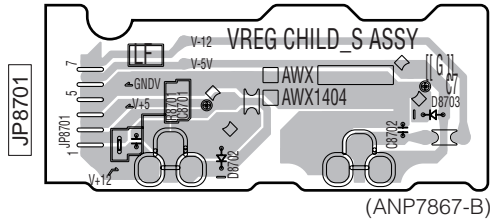
V W X

V W X

SIDE B

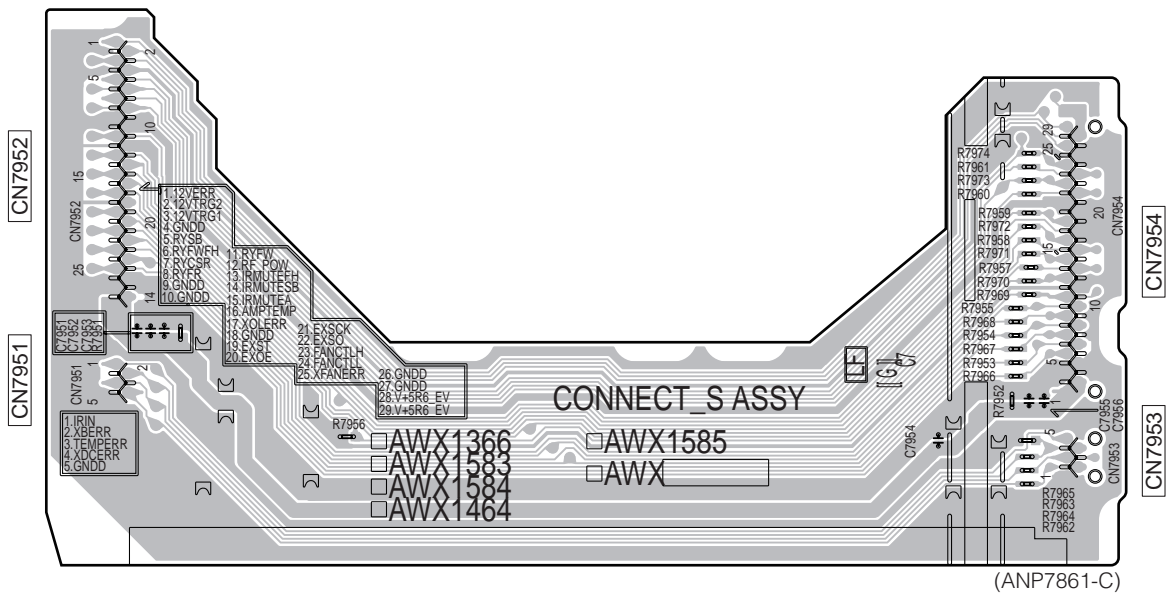
SIDE B

V VREG CHILD_S ASSY



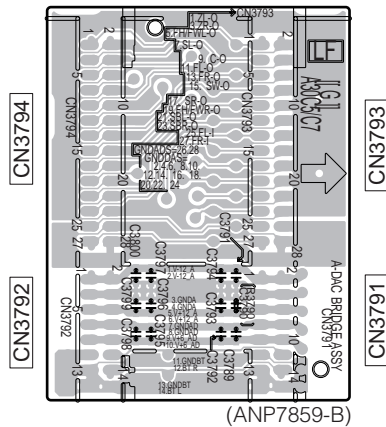
(ANP7867-B)

W CONNECT_S ASSY



(ANP7861-C)

X A-DAC BRIDGE ASSY



(ANP7859-B)

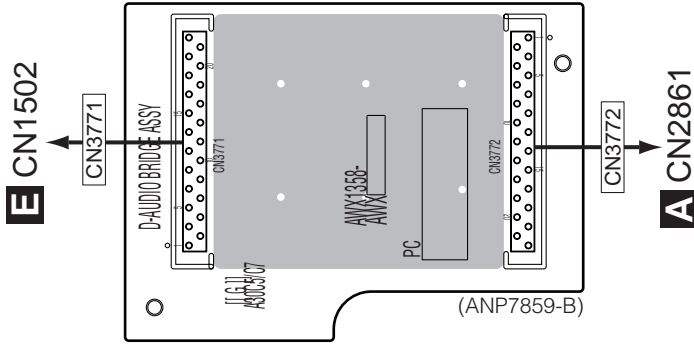
V W X

V W X

11.16 D-AUDIO BRIDGE, D-DAC BRIDGE, PRE BRIDGE_S and FAN CONNECT ASSYS

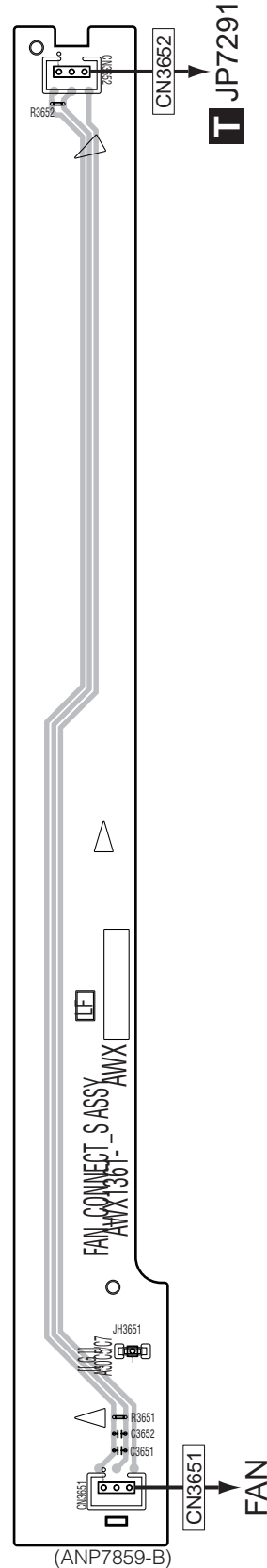
SIDE A

Y D-AUDIO BRIDGE ASSY

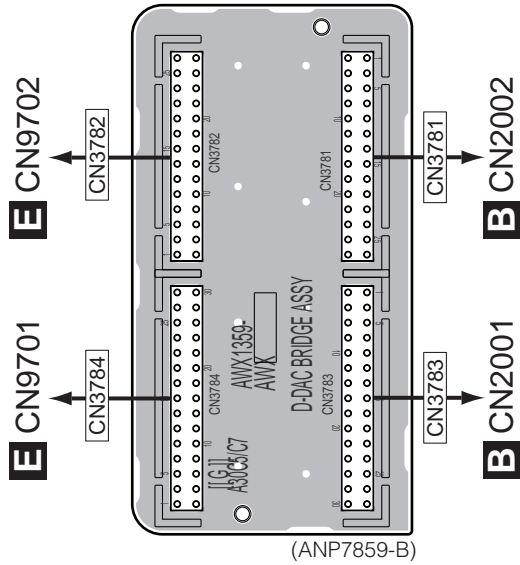


AB FAN CONNECT ASSY

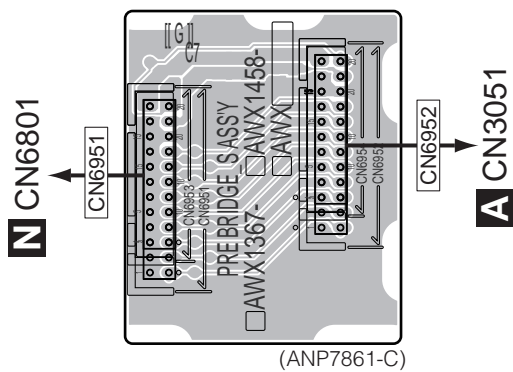
SIDE A



Z D-DAC BRIDGE ASSY



AA PRE BRIDGE_S ASSY



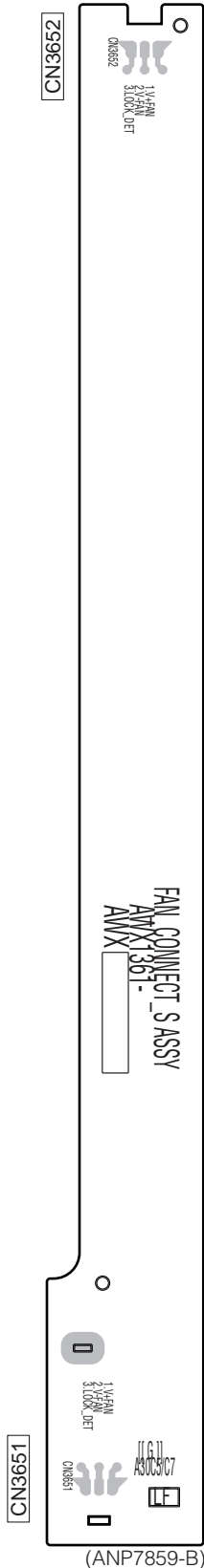
Y Z AA AB

Y Z AA AB

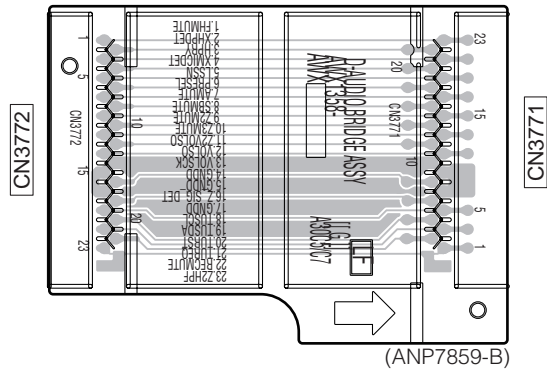
SIDE B

SIDE B

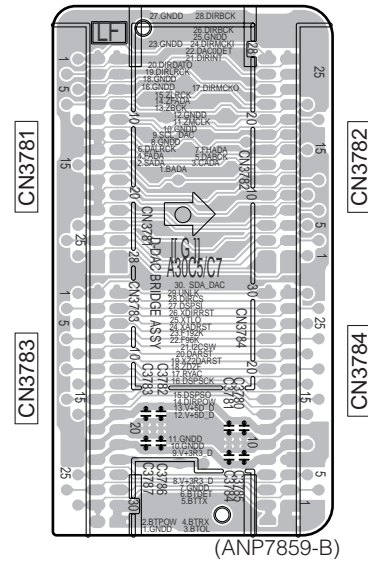
AB FAN CONNECT ASSY



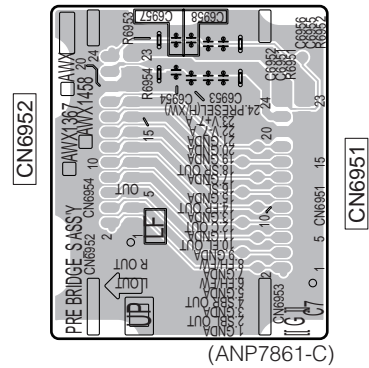
Y D-AUDIO BRIDGE ASSY



Z D-DAC BRIDGE ASSY



AA PRE BRIDGE ASSY



Y Z AA AB

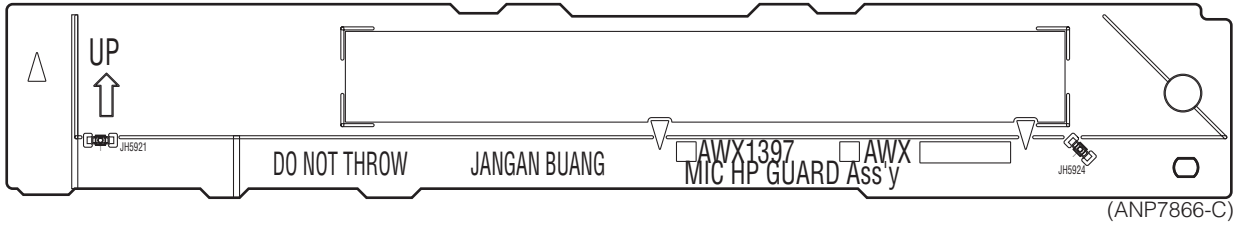
Y Z AA AB

11.17 MIC HP GUARD, BIND DM CABLE_S and P WIRE GUARD_S ASSYS

SIDE A

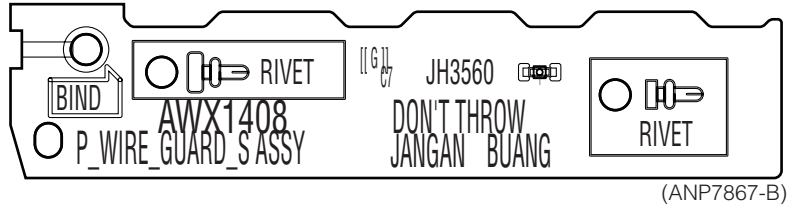
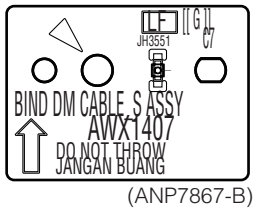
SIDE A

AC MIC HP GUARD ASSY



AD BIND DM CABLE_S ASSY

AE P WIRE GUARD_S ASSY

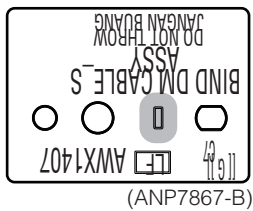


SIDE B

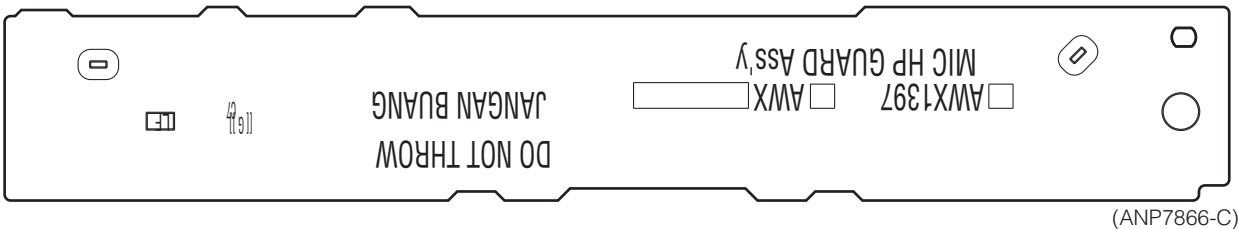
SIDE B

AD BIND DM CABLE_S ASSY

AE P WIRE GUARD_S ASSY



AC MIC HP GUARD ASSY



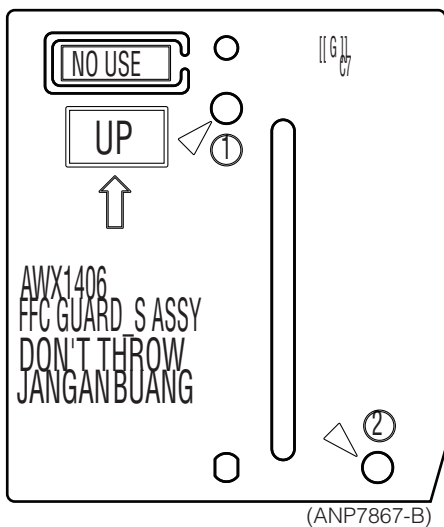
AC AD AE

AC AD AE

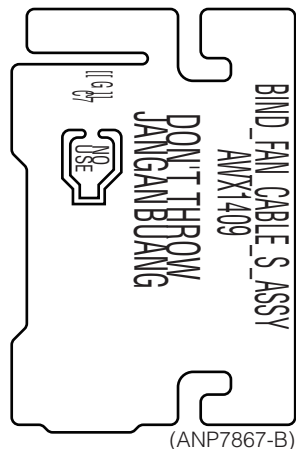
11.18 FFC GUARD_S, BAINDFAN CABLE_S and TRANS VREG STYL_S ASSYS

SIDE A

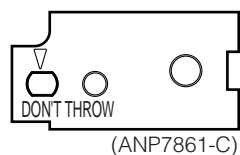
AF FFC GUARD_S ASSY



AG BINDFAN CABLE_S ASSY

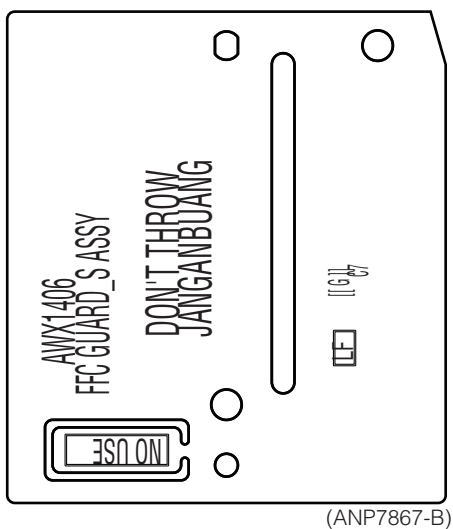


AH TRANS VREG STYL_S ASSY

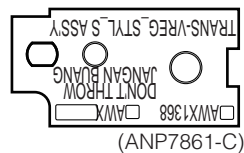


SIDE B

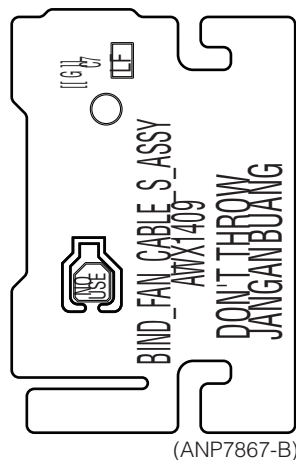
AF FFC GUARD_S ASSY



AH TRANS VREG STYL_S ASSY



AG BINDFAN CABLE_S ASSY



AF AG AH

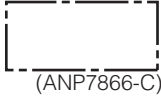
AF AG AH

1 2 3 4
11.19 VREG GUARD, PANEL GUARD and IR EDGE GUARD_S ASSYS

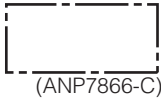
SIDE A

SIDE A

A



AI VREG GUARD ASSY



AJ PANEL GUARD ASSY



AK IR EDGE GUARD_S ASSY

B

C

SIDE B

SIDE B

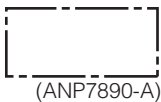
D



AI VREG GUARD ASSY



AJ PANEL GUARD ASSY



AK IR EDGE GUARD_S ASSY

E

F

AI AJ AK

AI AJ AK

12. PCB PARTS LIST

NOTES: ● Parts marked by “NSP” are generally unavailable because they are not in our Master Spare Parts List.

● The Δ mark found on some component parts indicates the importance of the safety factor of the part. Therefore, when replacing, be sure to use parts of identical designation.

● When ordering resistors, first convert resistance values into code form as shown in the following examples.

Ex.1 When there are 2 effective digits (any digit apart from 0), such as 560 ohm and 47 k ohm (tolerance is shown by J = 5%, and K = 10%).

560 Ω → 56 × 10¹ → 561 RD1/APU $\boxed{5}$ $\boxed{6}$ $\boxed{1}$ J

47 k Ω → 47 × 10³ → 473 RD1/APU $\boxed{4}$ $\boxed{7}$ $\boxed{3}$ J

0.5 Ω → R50 RN2H \boxed{R} $\boxed{5}$ $\boxed{0}$ K

1 Ω → 1R0 RSIP $\boxed{1}$ \boxed{R} $\boxed{0}$ K

Ex.2 When there are 3 effective digits (such as in high precision metal film resistors).

5.62 k Ω → 562 × 10¹ → 5621 RN1/4PC $\boxed{5}$ $\boxed{6}$ $\boxed{2}$ $\boxed{1}$ F

Mark	No.	Description	Part No.	Mark	No.	Description	Part No.
------	-----	-------------	----------	------	-----	-------------	----------

LIST OF ASSEMBLIES

----- SC-75, SC-1528-K, SC-1523-K -----

NSP	1..D-AMP_S ASSY	AWH7071	NSP	1..PRE POWER_S ASSY	AWR7217
	2..D-AMP_S ASSY	AWX1429		2..VREG CHILD_S ASSY	AWX1404
NSP	1..PRIM DISPLAY ASSY(SC-75)	AWM8322		2..USB RECT_S ASSY	AWX1405
	2..VOL ASSY	AWX1392		2..FFC GUARD_S ASSY	AWX1406
	2..ENCODER ASSY	AWX1396		2..BIND DM CABLE_S ASSY	AWX1407
	2..MIC HP GUARD ASSY	AWX1397		2..P WIRE GUARD_S ASSY	AWX1408
	2..MIC HP ASSY	AWX1457		2..BINDFAN CABLE_S ASSY	AWX1409
	2..DISPLAY ASSY	AWX1465		2..A-REG_S ASSY	AWX1596
	2..PRIMARY ASSY	AWX1614		2..V-REG_S ASSY	AWX1600
	2..POWER SW ASSY	AWX1653		1..DIGITAL MAIN ASSY	AWX1422
NSP	2..VREG GUARD ASSY	AWX1398		1..COMPONENT ASSY	AWX1623
NSP	2..PANEL GUARD ASSY	AWX1399		1..DAC HIGH ASSY	AWX1515
NSP	1..PRIM DISPLAY ASSY(SC-1528-K,SC-1523-K)	AWM8340		1..IR INTERFACE_S ASSY	AWX1637
	2..VOL ASSY	AWX1392	NSP	2..IR EDGE GUARD_S ASSY	AWX1230
	2..ENCODER ASSY	AWX1396		1..FRONT HDMI USB ASSY	AWX1548
	2..MIC HP GUARD ASSY	AWX1397			
	2..MIC HP ASSY	AWX1457			
	2..DISPLAY ASSY	AWX1505			
	2..PRIMARY ASSY	AWX1614			
	2..POWER SW ASSY	AWX1654			
NSP	2..VREG GUARD ASSY	AWX1398			
NSP	2..PANEL GUARD ASSY	AWX1399			
NSP	1..IR BUFFER_S ASSY	AWM8348			
	2..IR BUFFER_S ASSY	AWX1542			
	2..BUFFER GND_S ASSY	AWX1544			
NSP	1..AUDIO COMPOSITE ASSY	AWR7192			
	2..COMPOSITE ASSY	AWX1357			
	2..D-AUDIO BRIDGE ASSY	AWX1358			
	2..D-DAC BRIDGE ASSY	AWX1359			
	2..A-DAC BRIDGE ASSY	AWX1360			
	2..FAN CONNECT ASSY	AWX1361			
	2..AUDIO ASSY	AWX1525			
NSP	1..INTERFACE REG_S ASSY	AWR7206			
	2..PRE BRIDGE_S ASSY	AWX1367			
	2..TRANS VREG STYL_S ASSY	AWX1368			
	2..INTERFACE_S ASSY	AWX1572			
	2..IR REG_S ASSY	AWX1576			
	2..CONNECT_S ASSY	AWX1583			

Mark No. Description _____ **Part No.** _____ **Mark No. Description** _____ **Part No.** _____

LIST OF ASSEMBLIES

A ----- **SC-LX57** -----

NSP	1..D-AMP_S ASSY	AWH7073	NSP	1..INTERFACE REG_S ASSY	AWR7207
	2..D-AMP_S ASSY	AWX1431		2..PRE BRIDGE_S ASSY	AWX1367
NSP	1..IR BUFFER_S ASSY	AWM8349		2..TRANS VREG STYL_S ASSY	AWX1368
	2..IR BUFFER_S ASSY	AWX1543		2..INTERFACE_S ASSY	AWX1573
	2..BUFFER GND_S ASSY	AWX1544		2..IR REG_S ASSY	AWX1577
				2..CONNECT_S ASSY	AWX1584
NSP	1..PRIM DISPLAY ASSY	AWM8324	NSP	1..PRE POWER_S ASSY	AWR7218
	2..VOL ASSY	AWX1392		2..VREG CHILD_S ASSY	AWX1404
	2..ENCODER ASSY	AWX1396		2..USB RECT_S ASSY	AWX1405
	2..MIC HP GUARD ASSY	AWX1397		2..FFC GUARD_S ASSY	AWX1406
	2..MIC HP ASSY	AWX1510		2..BIND DM CABLE_S ASSY	AWX1407
	2..DISPLAY ASSY	AWX1682		2..P WIRE GUARD_S ASSY	AWX1408
	2..PRIMARY ASSY	AWX1466		2..BINDFAN CABLE_S ASSY	AWX1409
	2..POWER SW ASSY	AWX1653		2..A-REG_S ASSY	AWX1597
NSP	2..VREG GUARD ASSY	AWX1398		2..V-REG_S ASSY	AWX1601
NSP	2..PANEL GUARD ASSY	AWX1399			
				1..DIGITAL MAIN ASSY	AWX1660
NSP	1..AUDIO COMPOSITE ASSY	AWR7193		1..COMPONENT ASSY	AWX1673
	2..COMPOSITE ASSY	AWX1357			
	2..D-AUDIO BRIDGE ASSY	AWX1358		1..DAC HIGH ASSY	AWX1517
	2..D-DAC BRIDGE ASSY	AWX1359			
	2..A-DAC BRIDGE ASSY	AWX1360		1..IR INTERFACE_S ASSY	AWX1637
	2..FAN CONNECT ASSY	AWX1361	NSP	2..IR EDGE GUARD_S ASSY	AWX1230
	2..AUDIO ASSY	AWX1526			
				1..FRONT HDMI USB ASSY	AWX1675

C FRONT HDMI USB ASSY

AWX1548 and AWX1675 are constructed the same except for the following:

Mark	Symbol and Description	AWX1548	AWX1675
	R8025	RS1/16SS473J	RS1/16SS104J
	C8001	CCSSCH101J50	CCSSCH470J50
	C8002	CKSRYB104K50	CKSRYB103K50
	C8023	CKSQYB225K16	VCG1072
	C8041	CCSRCH100D50	CCSRCH221J50
	C8048	Not used	CEAK470M25

F INTERFACE_S ASSY

AWX1572 and AWX1573 are constructed the same except for the following:

Mark	Symbol and Description	AWX1572	AWX1573
	KN7002 Earth Terminal	Not used	AKF7002
	KN7004 Earth Terminal	Not used	AKF7002
	R7043	Not used	RS1/10SR0R0J
	R7098	Not used	RS1/10SR0R0J
	R7110	Not used	RS1/4SA105J
	R7111	Not used	RS1/4SA105J
	R7113	RS1/10SR0R0J	RS1/10SR100J
	R7136	Not used	RS1/10SR0R0J
	R7137	Not used	RS1/10SR0R0J
	R7155	Not used	RS1/10SR0R0J
	R7301	Not used	RS1/10SR0R0J
	R7302	Not used	RS1/10SR0R0J
	R7303	Not used	RS1/10SR0R0J
	C7006	CCSRCH102J50	Not used
	C7011	CKSRYB104K50	Not used
	C7012	CCSRCH102J50	Not used
	C7015	CKSRYB104K50	CKSRYB103K50
	C7080	CCSRCH102J50	Not used
	C7081	CKSRYB104K50	Not used
	C7082	CCSRCH102J50	Not used

Mark	Symbol and Description	AWX1572	AWX1573
	C7083	CKSRYB104K50	Not used
	C7114	CKSRYB104K50	Not used



COMPONENT ASSY

AWX1623 and AWX1673 are constructed the same except for the following:

Mark	Symbol and Description	AWX1623	AWX1673
	R8382	Not used	RS1/10SR105J
	R8504	RS1/10SR101J	RS1/10SR471J
	R8505	RS1/10SR101J	RS1/10SR471J
	R8506	RS1/10SR331J	RS1/10SR471J
	C8501	CCSRCH102J50	CCSRCH471J50
	C8509	CCSRCH101J50	Not used
	C8511	CCSRCH470J50	Not used
	C8512	CCSRCH470J50	Not used



DISPLAY ASSY

AWX1465 and AWX1505 are constructed the same except for the following:

Mark	Symbol and Description	AWX1465	AWX1505
	Q6006	DTC124EUA	Not used
	Q6007	DTC124EUA	Not used
	Q6008	DTC124EUA	Not used
	Q6009	DTC124EUA	Not used
	Q6010	DTC124EUA	Not used
	D6006	SLR343BC4T(JKLM)	SLR-343VC(NPQ)
	D6008	SLR343BC4T(JKLM)	SLR-343VC(NPQ)
	D6010	SLR343BC4T(JKLM)	SLR-343VC(NPQ)
	D6012	SLR343BC4T(JKLM)	SLR-343VC(NPQ)
	D6014	SLR343BC4T(JKLM)	Not used
	R6056	RS1/10SR102J	Not used
	R6064	Not used	RS1/10SR0R0J
	R6070	RS1/10SR101J	Not used
	R6081	Not used	RS1/10SR0R0J
	R6113	Not used	RS1/10SR0R0J
	R6114	Not used	RS1/10SR0R0J
	R6115	Not used	RS1/10SR0R0J
	R6116	Not used	RS1/10SR0R0J
	R6134	RS1/10SR151J	RS1/10SR681J
	R6135	RS1/10SR151J	RS1/10SR681J
	R6136	RS1/10SR151J	RS1/10SR681J
	R6137	RS1/10SR151J	RS1/10SR681J
	R6138	RS1/10SR151J	Not used
	R6194	RS1/10SR101J	Not used
	C6032	CCSRCH100D50	Not used
	C6058	CCSRCH470J50	Not used
	C6092	CCSRCH100D50	Not used



DISPLAY ASSY

AWX1465 and AWX1682 are constructed the same except for the following:

Mark	Symbol and Description	AWX1465	AWX1682
	D6005	DAN217U	Not used
	R6067	Not used	RS1/10SR0R0J
	R6107	RS1/10SR101J	RS1/10SR121J
	R6108	RS1/10SR101J	RS1/10SR121J
	R6109	RS1/10SR101J	RS1/10SR121J
	R6111	RS1/10SR101J	RS1/10SR121J
	R6227	Not used	RS1/10SR0R0J
	R6228	Not used	RS1/10SR0R0J
	R6229	Not used	RS1/10SR0R0J
	R6230	Not used	RS1/10SR105J

Mark	Symbol and Description	AWX1465	AWX1682
A	R6231	Not used	RS1/10SR105J
	C6006	CKSRYB104K50	CKSRYB103K50
	C6008	CKSRYB103K50	CKSRYB104K50
	C6010	CKSRYB104K50	CKSRYB103K50
	C6019	CKSRYB104K50	Not used
	C6022	CKSRYB104K50	CCSRCH470J50
	C6029	CCSRCH101J50	Not used
	C6037	CKSRYB104K50	CKSRYB103K50
	C6043	CKSRYB104K50	CKSRYB103K50
	C6046	Not used	CKSRYB473K50
B	C6049	CKSRYB105K16	CKSRYB103K50
	C6050	Not used	CCSRCH221J50
	C6063	CCSRCH471J50	CCSRCH470J50
	C6065	CKSRYB104K50	CKSRYB103K50
	C6069	CEAK470M50	Not used
	C6070	Not used	CCSRCH471J50
	C6074	CCSRCH471J50	CCSRCH221J50
	C6083	CCSRCH471J50	CCSRCH331J50
	C6087	CEAK101M35	Not used
	C6088	CEAK470M50	Not used
C	C6091	CKSRYB103K50	CCSRCH331J50
	C6097	CCSRCH331J50	Not used

L POWER SW ASSY

AWX1653 and AWX1654 are constructed the same except for the following:

Mark	Symbol and Description	AWX1653	AWX1654
C	Q3401	DTC143EUA	Not used
	D3402	SLR343BC4T(JKLM)	Not used
	R3401	RS1/10SR151J	Not used
	C3401	CCSRCH221J50	Not used

N IR BUFFER_S ASSY

AWX1542 and AWX1543 are constructed the same except for the following:

Mark	Symbol and Description	AWX1542	AWX1543
D	R6815	RS1/8SQ204J	RS1/8SQ224J
	R6817	RS1/10SR120J	RS1/10SR100J
	R6837	RS1/10SR120J	RS1/10SR100J
	R6857	RS1/10SR120J	RS1/10SR100J
	R6877	RS1/10SR120J	RS1/10SR100J
	R6897	RS1/10SR120J	RS1/10SR100J
	R6917	RS1/10SR120J	RS1/10SR100J
	R6937	RS1/10SR120J	RS1/10SR100J
	R7467	RS1/10SR120J	RS1/10SR100J
	R7487	RS1/10SR120J	RS1/10SR100J
E	R7493	RS1/10SR100J	RS1/10SR101J
	R8866	RS1/10SR100J	RS1/10SR220J
	R8867	RS1/10SR100J	RS1/10SR220J
	R8868	RS1/10SR100J	RS1/10SR220J
	C6807	CEAK220M50	CEAK100M50
	C6814	CEAK470M25	CEAK100M50
	C6827	CEAK220M50	CEAK100M50
	C6834	CEAK470M25	CEAK100M50
F	C6847	CEAK220M50	CEAK100M50
	C6854	CEAK470M25	CEAK100M50
	C6867	CEAK220M50	CEAK100M50
	C6874	CEAK470M25	CEAK100M50
	C6887	CEAK220M50	CEAK100M50
	C6894	CEAK470M25	CEAK100M50
	C6907	CEAK220M50	CEAK100M50

Mark	Symbol and Description	AWX1542	AWX1543
	C6914	CEAK470M25	CEAK100M50
	C6927	CEAK220M50	CEAK100M50
	C6934	CEAK470M25	CEAK100M50
	C7457	CEAK220M50	CEAK100M50
	C7464	CEAK470M25	CEAK100M50
	C7477	CEAK220M50	CEAK100M50
	C7484	CEAK470M25	CEAK100M50
	C7495	CCSRCH100D50	Not used

R

PRIMARY ASSY

AWX1614 and AWX1466 are constructed the same except for the following:

Mark	Symbol and Description	AWX1614	AWX1466
	R6	RS1/8SQ471J	RS1/8SQ751J
	R51	RS1/10SR221J	RS1/10SR181J
	R59	RS1/8SQ365J	Not used
	R70	RS1/10SR0R0J	RS1/10SR390J
	R80	Not used	RS1/10SR105J
	C55	CCSRCH331J50	Not used
	C61	CCSRCH100D50	Not used
	C62	Not used	DCH1330
	C66	Not used	CCSQCH330J50

S

A-REG_S ASSY

AWX1596 and AWX1597 are constructed the same except for the following:

Mark	Symbol and Description	AWX1596	AWX1597
	D7506	1SS355	Not used
	D7507	1SS355	Not used
	R7504	RS1/8SQ223J	Not used
	R7505	RS1/8SQ273J	Not used
	R7506	RS1/8SQ273J	Not used
	R7513	Not used	RS1/8SQ105J

T

IR REG_S ASSY

AWX1576 and AWX1577 are constructed the same except for the following:

Mark	Symbol and Description	AWX1576	AWX1577
	R7255	RS1/8SQ4R7J	RS1/8SQ1R5J
	R7256	RS1/8SQ3R3J	RS1/8SQ1R0J
	R7275	RS1/8SQ223J	Not used
	R7276	RS1/8SQ223J	Not used
	R7277	RS1/8SQ223J	Not used
	R7278	RS1/8SQ223J	Not used
	C7275	CEAK221M16	Not used
	C7276	CEAK221M16	Not used
	C7283	Not used	CEAK471M16
	C7284	Not used	CEAK471M16
	C7292	CEAK471M16	Not used
	C7293	CEAK471M16	Not used

U

V-REG_S ASSY

AWX1600 and AWX1601 are constructed the same except for the following:

Mark	Symbol and Description	AWX1600	AWX1601
	KN7901 Earth Terminal	Not used	AKF7002
	R7557	Not used	RS1/8SQ105J
	R7901	Not used	RS1/10SR0R0J
	R7919	Not used	RS1/10SR0R0J
	C7571	CEAK470M50	CEAK101M35
	C7575	Not used	CCSRCH101J50

PCB PARTS LIST FOR SC-75/CUXJ UNLESS OTHERWISE NOTED

Mark No. Description Part No. Mark No. Description Part No.

A AUDIO ASSY (SC-75)

SEMICONDUCTORS

Table with 2 columns: Mark No. Description, Part No. Includes entries for IC 2501,3273, IC 2701, IC 2702,2751,2801,6701, IC 3221,6703, IC 3271,3272, IC 6702, Q 2721,3221, Q 2722, Q 2971,3101,3102,3151, Q 3001, Q 3002, Q 3152,3201,3202,3251, Q 3222,6703,6704, Q 3252,3271,3272, Q 3274-3276,6701, Q 3901, Q 6702, D 2691,2692, D 3001,3002, D 3902.

MISCELLANEOUS

Table with 2 columns: Mark No. Description, Part No. Includes entries for JA 2501,2504,3101 RCA JACK, JA 2502,2505,3202,3206 RCA JACK, JA 3102 RCA JACK, JA 3201 RCA JACK, JA 6701 RCA JACK, CN 2502 B TO B CONNECTOR, CN 2503 CONNECTOR, CN 2861 B TO B 23PIN JACK, CN 3001 14P SOCKET, CN 3051 24P SOCKET, CN 3902 CONNECTOR, JP 3001 CONNECTOR ASSY.

RESISTORS

Table with 2 columns: Mark No. Description, Part No. Includes entries for R 2567,2568,2726,2727, R 2687, R 2688, R 2819,2820, R 3031, R 3032, R 3055,3056,6729,6730, Other Resistors.

CAPACITORS

Table with 2 columns: Mark No. Description, Part No. Includes entries for C 2503,2504,2523,2524, C 2505,2506,2525,2526, C 2507,2508,2817,2818, C 2543,2544,2561,2562, C 2545,2546,2587,2588, C 2563,2564, C 2565,2566,2826,2827, C 2589,2590,2607,2608, C 2609,2610,2707,2708, C 2683,2701,2702,3223.

Table with 2 columns: Mark No. Description, Part No. Includes entries for C 2693,2694,2828,2836, C 2695,2696,2699,2834, C 2697,2698,2703,2704, C 2700, C 2709,2710,2763,2764, C 2731,2732,2760,3105, C 2759,2829,2830,2832, C 2805,2806, C 2807,2808, C 2819,2820, C 2835, C 2903,2904,3025,3026, C 2971,2972,6703,6704, C 3001,3002, C 3106,3155,3205,3206, C 3113,3114,3163,3164, C 3117,3118,3169,3170, C 3167,3913,3915,3917, C 3213,3214,3263,3264, C 3224,3285,3286,3907, C 3229,3230,3950, C 3255,3256,3275,3276, C 3261,3262,3281,3282, C 3283,3284,3914,3922, C 3293-3296,6711,6712, C 3297,3298, C 3903,3906, C 3909,3924,3925, C 3923,3945,3951, C 3926,3927,3952, C 3931,3933, C 3946, C 6701,6702,6707,6727, C 6708, C 6710, C 6713,6716, C 6714,6715,6717, C 6718-6723, C 6728.

A AUDIO ASSY (SC-LX57)

SEMICONDUCTORS

Table with 2 columns: Mark No. Description, Part No. Includes entries for IC 2501,3273, IC 2701, IC 2702, IC 2751,2801,6701,6702, IC 3221,6703, IC 3271,3272, Q 2721,3221, Q 2722, Q 2971,3101,3102,3151, Q 3001, Q 3002, Q 3152,3201,3202,3251, Q 3222,6703,6704, Q 3252,3271,3272, Q 3274-3276,6701, BD3473KS2, TC4066BFN, UPC4570G2-A, NJM4565MD, TC4052BFN, NJM4565V, DTC115EUA, DTA124EUA, IMX25, 2SD2400A, 2SB1569A, IMX25, DTC124EUA, IMX25, IMX25.

Mark No. Description **Part No.**

Q 6702 2SD2704K
D 2691,2692 DAN217U
D 3001,3002 DZ2J075M0

MISCELLANEOUS

JA 2501,2504,3101 RCA JACK AKB7246
JA 2502,2505,3202,3206 RCA JACK AKB7247
JA 3102 RCA JACK AKB7248
JA 3201 RCA JACK AKB7245
JA 6701 RCA JACK AKB7249

CN2502 B TO B CONNECTOR AKP7269
CN2503 CONNECTOR 9607S-15F
CN2861 B TO B 23PIN JACK AKN7073
CN3001 14P SOCKET AKP7248
CN3051 24P SOCKET AKP7251

JP 3001 CONNECTOR ASSY PF05PG-S20

RESISTORS

R 2567,2568,2726,2727 RS1/8SQ0R0J
R 2687,3032 RS1/8SQ105J
R 2688 RS1/8SQ132J
R 2819,2820 RS1/4SA180J
R 3031 RS1/8SQ472J

R 3055,3056,6729,6730 RS1/8SQ100J
Other Resistors RS1/10SR###J

CAPACITORS

C 2505,2506,2525,2526 CEAK220M50
C 2507,2508,2817,2818 CEAK101M16
C 2545,2546,2587,2588 CEAK220M50
C 2565,2566,2826,2827 CEAK100M50
C 2609,2610,2707,2708 CEAK220M50

C 2683 CKSRYB103K50
C 2693,2694,2828,2836 ACH1479
C 2695,2696,2699,2709 CFHXSQ103J16
C 2697,2698,2759,2829 CCSRCH101J50
C 2700 CCSQCH101J50

C 2710,2834,2835 CFHXSQ103J16
C 2731,2732,2760,3105 CEAK220M50
C 2763,2764,6720-6723 CKSQYB103K50
C 2805,2806 CEAK1R0M50
C 2807,2808 CCSQCH221J50

C 2819,2820 CEAK471M16
C 2830,2832,3951 CCSRCH101J50
C 2903,2904,3025,3026 CEAK100M50
C 3001,3002 CEAK2R2M50
C 3053,3054 CEAK101M16

C 3106,3155,3205,3206 CEAK220M50
C 3167,3946 CCSRCH100D50
C 3255,3256,3275,3276 CEAK220M50
C 3293-3296,6711,6712 CKSRYB104K50
C 3297,3298 CCSRCH222J50

C 3926,3927,3952 CEAK220M50
C 6701,6702,6707,6727 CEAK100M50
C 6710 CKSRYB333K50
C 6713,6716 CKSRYB473K50
C 6714,6715,6717 CKSRYB104K50

C 6728 CEAK100M50

Mark No. Description **Part No.**

B DAC HIGH ASSY (SC-75)

SEMICONDUCTORS

⚠ IC 2001 BD2224G
⚠ IC 2002 NJM2881F33
IC 2003 AK4118AEQ
IC 2004,2005 TC7SH126FU
IC 2006 TC74VHC08FK

IC 2007 TC74VHC32FK
IC 2008,2011-2025,2033 UPC4570G2-A
IC 2009 ES9011S
IC 2010 ES9016S
IC 2026 AK4388ET

IC 2027 PCM1804DB
⚠ IC 2028,2037 S-1172B12-E6
⚠ IC 2029,2031 NJM2872BF33
⚠ IC 2030 S-1172B33-E6
IC 2032 NJM4565MD

⚠ IC 2034 NJM2845DL1-05
IC 2035 UPC4570G2-A
Q 2001,2002 HN1K02FU
Q 2003,2004 2SA1576A
Q 2005 2SC4081

D 2004,2007 DAN202U
D 2005,2006 DAP202U

MISCELLANEOUS

L 2001 CHIP SOLID INDUCTOR QTL1013
L 2004,2010 CHIP BEADS VTL1129
L 2005-2009 CHIP SOLID INDUCTOR QTL1013
L 2011,2012 CHIP SOLID INDUCTOR QTL1013
L 2015 CHIP SOLID INDUCTOR QTL1013

JA 2002,2004 OPT IN MODULE AKS7008
JA 2006 OPT OUT MODULE AKS7009
JA 2009 PIN JACK(2P) AKB7173
JA 2010 CONNECTOR CKS5712
KN 2001,2002 SCREW PLATE VNE1948

X 2001 CRYSTAL OSCILLATOR ASS7124
CN 2001 SOCKET(30PL) BKP1047
CN 2002,2003 B TO B CONNECTOR AKP7269
CN 2004 14P SOCKET AKP7248

RESISTORS

R 2003,2084,2085 RS1/16SS220J
R 2004,2005,2010-2014 RS1/16SS101J
R 2006,2018,2019,2039 RS1/16SS0R0J
R 2022,2028,2048,2117 RS1/16SS101J
R 2023,2030,2037,2038 RS1/16SS100J

R 2035 RS1/16SS1002F
R 2040,2057,2064,2083 RS1/16SS0R0J
R 2041,2042,2044-2046 RS1/16SS121J
R 2043 RS1/16SS471J
R 2047,2417-2419 RS1/16SS221J

R 2049,2065-2067,2073 RS1/16SS100J
R 2050,2053 RS1/16SS680J
R 2051,2052,2054-2056 RS1/16SS470J
R 2058,2059 RS1/8SQ225J
R 2068,2141,2146,2421 RS1/16SS470J

Mark	No.	Description	Part No.	Mark	No.	Description	Part No.	
A	R	2070,2071	RS1/16SS121J	C	2099,2100,2117,2118	CKSQYB104K50		
	R	2074,2078-2082	RS1/16SS100J	C	2102,2106,2133,2136	CCSQCH102J50		
	R	2105-2111,2118-2121	RS1/16SS100J	C	2105,2108,2128-2132	CKSQYB103K50		
	R	2112,2122,2446,2474	RS1/16SS0R0J	C	2110,2274,2277,2287	CEAK470M25		
	R	2123,2138-2140,2149	RS1/16SS100J	C	2124,2267,2291	CKSRBY103K50		
	R	2134,2135,2147,2148	RS1/16SS101J	C	2135,2140-2149	CKSQYB103K50		
	R	2150,2151,2416,2420	RS1/16SS101J	C	2138,2139,2261,2266	CKSQYB104K50		
	R	2167,2168,2172-2175	RS1/8SQ0R0J	C	2150-2169	CFHXSQ101J50		
	R	2170,2171	RS1/8SQ102J	C	2170-2189,2240-2249	CKSQYB103K50		
	R	2177,2178	RS1/8SQ101J	C	2190-2195,2198-2209	CCSQCH472J50		
B	R	2190,2191,2196,2197	RS1/8SQ103J	C	2196,2197	CCSQCH222J50		
	R	2199,2200	RS1/8SQ103J	C	2210-2215,2218-2229	CCSQCH471J50		
	R	2204,2205,5407-5412	RS1/8SQ0R0J	C	2216,2217	CCSQCH271J50		
	R	2245,2248,2249,2252	RS1/4SA272J	C	2230,2231,2233,2234	CEAK220M50		
	R	2253,2256,2257,2260	RS1/4SA272J	C	2236-2239,2305,2306	CEAK220M50		
	R	2261,2264,2265,2268	RS1/4SA272J	C	2260	CCSQCH330J50		
	R	2269,2272,2273,2276	RS1/4SA272J	C	2270	CCSQCH221J50		
	R	2277,2280,2281,2284	RS1/4SA272J	C	2271,2279,2288,2351	CKSQYB104K50		
	R	2285-2304	RS1/4SA123J	C	2273,2334,2345,2348	CEAK101M35		
	R	2305,2308,2309,2312	RS1/4SA272J	C	2281,2329-2331,2335	CFHXSQ103J16		
C	R	2313,2316,2325,2328	RS1/4SA332J	C	2282,2285,2292,2293	CKSRBY104K50		
	R	2317,2320	RS1/4SA562J	C	2283	CCSQCH471J50		
	R	2321,2324,2329,2332	RS1/4SA272J	C	2284,2296,2318	CKSQYB103K50		
	R	2333,2336,2337,2340	RS1/4SA272J	C	2294,2298,2307,2352	CEAK470M25		
	R	2341,2344	RS1/4SA272J	C	2297	CCSRCH221J50		
	R	2422-2425,2440-2443	RS1/16SS101J	C	2311	CKSRBY104K50		
	R	2428	RS1/16SS102J	C	2314,2315	DCH1263		
	R	2465,5417,5418	RS1/16SS100J	C	2316,2317,2319,2320	CEAK100M50		
	R	2485,2493	RS1/8SQ105J	C	2322,2323	CCSRCH391J50		
	R	2490	RS1/8SQ242J	C	2324,2325	CCSRCH471J50		
D	R	5419,5429,5430	RS1/16SS0R0J	C	2332	CKSQYB225K16		
	R	5447,5448	RS1/4SA1R0J	C	2336,2342-2344,2349	CFHXSQ103J16		
	Other Resistors			RS1/10SR###J	C	2338,2339	CEAK100M50	
	CAPACITORS				C	2340,2341	CCSRCH101J50	
	C	2005-2008,2030,2033	CKSRBY104K50		C	2350	CCSQCH331J50	
	C	2009,2021,2055,2081	CEAK221M16		C	2354	CFHXSQ103J16	
	C	2016,2017	CCSSCH221J50					
	C	2018,2042,2049	CCSSCH100D50					
	C	2022,2023,2125,2126	CEAK100M50					
	C	2025,2078,2278,2308	CKSQYB225K16					

B DAC HIGH ASSY (SC-LX57)

SEMICONDUCTORS

⚠	IC 2001	BD2224G
⚠	IC 2002	NJM2881F33
	IC 2003	AK4118AEQ
	IC 2004,2005	TC7SH126FU
	IC 2006	TC74VHC08FK
	IC 2007	TC74VHC32FK
	IC 2008,2011-2025,2033	UPC4570G2-A
	IC 2009	ES9011S
	IC 2010	ES9016S
	IC 2026	AK4388ET
	IC 2027	PCM1804DB
⚠	IC 2028,2037	S-1172B12-E6
⚠	IC 2029,2031	NJM2872BF33
⚠	IC 2030	S-1172B33-E6
	IC 2032	NJM4565MD

Mark	No.	Description	Part No.	Mark	No.	Description	Part No.
△	IC	2034	NJM2845DL1-05	R	2317,2320		RS1/4SA562J
	IC	2035	UPC4570G2-A	R	2321,2324,2329,2332		RS1/4SA272J
	Q	2001,2002	HN1K02FU	R	2333,2336,2337,2340		RS1/4SA272J
	Q	2003,2004	2SA1576A	R	2341,2344		RS1/4SA272J
	Q	2005	2SC4081	R	2420,2422-2425		RS1/16SS101J
	D	2004,2007	DAN202U	R	2421		RS1/16SS560J
	D	2005,2006	DAP202U	R	2428		RS1/16SS102J
					R	2440-2443	RS1/16SS101J
					R	2446,2474,5419,5429	RS1/16SS0R0J
					R	2465,5417,5418	RS1/16SS100J
MISCELLANEOUS							
L	2001	CHIP SOLID INDUCTOR	QTL1013				
L	2004,2010	CHIP BEADS	VTL1129				
L	2005-2009	CHIP SOLID INDUCTOR	QTL1013	R	2485,2493		RS1/8SQ105J
L	2011,2012	CHIP SOLID INDUCTOR	QTL1013	R	2490		RS1/8SQ242J
L	2015	CHIP SOLID INDUCTOR	QTL1013	R	5411,5412		RS1/8SQ100J
	JA	2002,2004 OPT IN MODULE	AKS7008	R	5430		RS1/16SS0R0J
	JA	2006 OPT OUT MODULE	AKS7009	R	5447,5448		RS1/4SA1R0J
	JA	2009 PIN JACK(2P)	AKB7173	Other Resistors			
	JA	2010 CONNECTOR	CKS5712				RS1/10SR###J
	KN	2001,2002 SCREW PLATE	VNE1948	CAPACITORS			
	X	2001 CRYSTAL OSCILLATOR	ASS7124	C	2005-2007,2030,2033		CKSRYB104K50
	CN	2001 SOCKET(30PL)	BKP1047	C	2009,2021,2055,2081		CEAK221M16
	CN	2002,2003 B TO B CONNECTOR	AKP7269	C	2016,2017		CCSSCH221J50
	CN	2004 14P SOCKET	AKP7248	C	2018,2042,2049		CCSSCH100D50
				C	2022,2023,2125,2126		CEAK100M50
				C	2025,2332		CKSQYB225K16
				C	2026,2084,2085,2087		CEAK470M25
				C	2029,2032,2035,2082		CKSRYB103K50
				C	2037,2039,2052,2060		CKSSYB104K16
				C	2038,2050,2057,2061		CCSSCH331J50
				C	2040		CEAK102M16
				C	2041		CCSSCH101J50
				C	2043,2051,2109,2110		CEAK101M16
				C	2044		CCG1222
				C	2046		CKSRYB474K16
				C	2047		CCSSCH470J50
				C	2048,2071		CKSSYB103K25
				C	2053,2058,2059,2065		CCSRCH100D50
				C	2062,2068		CKSSYB104K16
				C	2063,2069,2070		CCSSCH331J50
				C	2078,2308		VCG1072
				C	2083,2088,2092		CEAK221M16
				C	2086		CCSRCH331J50
				C	2089,2091,2093,2274		CEAK470M25
				C	2098,2102,2106,2350		CCSQCH331J50
				C	2099,2100,2105,2108		CKSQYB103K50
				C	2111,2268,2269,2282		CKSRYB104K50
				C	2117,2118,2128-2131		CKSQYB103K50
				C	2133,2136,2240-2249		CKSQYB103K50
				C	2138,2139,2261,2279		CKSQYB104K50
				C	2150-2169,2356,2358		CFHXSQ101J50
				C	2190-2195,2198-2209		CCSQCH472J50
				C	2196,2197		CCSQCH222J50
				C	2210-2215,2218-2229		CCSQCH471J50
				C	2216,2217		CCSQCH271J50
				C	2230,2231,2233,2234		CEAK220M50
				C	2236-2239,2305,2306		CEAK220M50
				C	2260		CCSQCH330J50
				C	2266,2284,2288,2296		CKSQYB103K50
				C	2267,2291		CKSRYB103K50

Mark	No.	Description	Part No.
A	C	2273,2334,2345,2348	CEAK101M35
	C	2277,2287,2294,2298	CEAK470M25
	C	2281,2329-2331,2335	CFHXSQ103J16
	C	2283	CCSQCH471J50
	C	2290	CEAK101M16
	C	2292,2293,2311	CKSRYB104K50
	C	2307,2352	CEAK470M25
	C	2314,2315	DCH1263
	C	2316,2317,2319,2320	CEAK100M50
	C	2318	CKSQYB103K50
B	C	2322,2323	CCSRCH391J50
	C	2324,2325	CCSRCH471J50
	C	2336,2342-2344,2349	CFHXSQ103J16
	C	2338,2339	CEAK100M50
	C	2340,2341	CCSRCH101J50
	C	2351,2362	CKSQYB104K50
	C	2354	CFHXSQ103J16
	C	2357,2359	CFHXSQ471J50
	C	2363	CCSQCH221J50
	C	2364	CCSQCH331J50

C FRONT HDMI USB ASSY

SEMICONDUCTORS

⚠	IC	8001	TPS2557DRB
⚠	IC	8002	BD82065FVJ
	IC	8003	PCA9517DGG
⚠	IC	8004	BD9329EFJ
	Q	8004	2SC4081
	D	8004	DZ2J056M0

MISCELLANEOUS

L	8001,8002	CHIP BEADS	ATL7010
L	8003	CHOKE COIL	CTH1446
JA	8001	USB CONNECTOR	DKB1106
JA	8002	HDMI JACK	AKP7268
JA	8003	HDMI JACK	AKP7280
KN	8001,8002	EARTH TERMINAL	AKF7002
CN	8001	CONNECTOR	AKM1278
CN	8002	5P CONNECTOR	VKN1374
JH	8002	PCB BINDER	AEF7008
JP	8001	HOUSING	ADX7760

RESISTORS

R	8005,8011,8052-8054	RS1/8SQ0R0J
R	8009	RS1/10SR473J
R	8014,8015	RS1/16SS2202F
R	8022	RS1/10SR0R0J
R	8033	RS1/8SQ105J
R	8044	RS1/16SS1801F
R	8045	RS1/16SS2200F
R	8046	RS1/16SS8201F
R	8055	RS1/4SA105J
R	8058,8059	RS1/8SQ0R0J
R	8087	RS1/16SS3003D
	Other Resistors	RS1/16SS###J

Mark	No.	Description	Part No.
CAPACITORS			
C	8001,8015,8021	CGSSCH101J50	
C	8002,8029,8037,8038	CKSRYB104K50	
C	8003,8016,8020,8022	CGSSCH331J50	
C	8010,8054	CEAK221M16	
C	8012,8017,8030	CKSRYB103K50	
C	8014,8031,8051	CCSRCH331J50	
C	8018	CKSSYB104K16	
C	8023	CKSQYB225K16	
C	8032,8033,8044,8045	CCG1236	
C	8039	CCSRCH222J50	
C	8041,8053	CCSRCH100D50	
C	8042,8043	CGSSCH331J50	
C	8078	CKSSYB473K16	

D USB RECT_S ASSY

SEMICONDUCTORS

⚠	D	3651	D5SBA60(B)
---	---	------	------------

MISCELLANEOUS

H	3651,3652	FUSE CLIP	AKR1004
KN	3651	EARTH TERMINAL	AKF7002
CN	3652,3653	2P TOP POST	B2B-EH
	7400	HEAT SINK	ANH7250
	7401	SCREW	IBZ30P080FCC
JH	3651,3652	PCB BINDER	AEF7008

RESISTORS

R	3652	RS1/4SA105J
R	3654,3655,3699	RS1/10SR0R0J
	Other Resistors	RS1/8SQ###J

CAPACITORS

C	3651	CFTLA104J50
C	3661	CKSRYB104K50
C	3662	CCSRCH331J50
C	3665,3666	CEAK472M25

E DIGITAL MAIN ASSY (SC-75)

SEMICONDUCTORS

IC	101	UPD61110GM-100UEVA	
IC	102	M12L2561616A-5TG2A	
IC	103	AYW7385	
IC	104,604,1808	TC7WHU04FK	
IC	105,613,1601,1616	TC74VHC08FK	
⚠	IC	451	TPS65251RHA
IC	601,612,1502	TC74VHCT08AFKS1	
IC	603	PE7008A	
IC	608	TC74VHCT541AFK	
IC	610,1509	TC74VHC126FK	
IC	611	TC74VHCT126AFK	
IC	614,616,701,1521	TC7SH08FUS1	
IC	615	TC7SZ126FU	
IC	901,910	TC74LCX541FK	
IC	902,911	TC7SZ125FU	

Mark	No.	Description	Part No.	Mark	No.	Description	Part No.
	IC 903		SI19587CNUC-3	L	606,903,907,908	CHIP BEADS	VTL1129
	IC 909		ADV7181CBSTZ	L	901,902,918,1210	CHIP BEADS	ATL7010
	IC 1204		88DE2750	L	917,919,928,929	CHIP BEADS	VTL1129
	IC 1212		H5PS5162GFR-S5C	L	921	INDUCTOR	CTF1547
⚠	IC 1216		BD3539NUX	L	922-924	INDUCTOR	ATL7033
	IC 1501,1515,1814,1815		TC74LCX157FK	L	925-927	INDUCTOR	ATL7035
	IC 1511		ICS511MLF	L	1208,1209,1503,1505	CHIP BEADS	VTL1129
	IC 1516		TC7WH157FK	L	1507,1515,1521,1522	CHIP BEADS	VTL1129
	IC 1602		SI19616CTUC	L	1510,9004,9010,9011	CHIP BEADS	VTL1128
⚠	IC 1605,1610,1615		AAT4610BIGV-1	L	1601-1604,1607,1608	CHIP BEADS	VTL1129
	IC 1609		SI19573CTUC	L	1605,1606,1621-1624	CHIP BEADS	ATL7010
	IC 1802		TC74LCX08FK	L	1609-1612,1630-1633	COIL	ATH7064
	IC 1806,1807		TC7WH126FK	L	1613,1614,1625-1628	CHIP BEADS	VTL1129
	IC 1812,9208		TC7SH08FUS1	L	1617	CHIP BEADS	VTL1126
	IC 1817		TC74VHC157FK	L	1618,1634,1642	FERRITE BEAD	CTF1528
	IC 9001,9702		M12L64164A-5TG2Y	L	1638-1641	COIL	ATH7064
	IC 9002,9703		D808K013DPTP400	L	1643,1801-1803	CHIP BEADS	VTL1129
	IC 9004		AYW7387	L	1806-1808,1810,1815	CHIP BEADS	VTL1129
	IC 9005		TC7WGU04FK	L	1817,1818,9005-9007	CHIP BEADS	VTL1129
	IC 9006		TC7SZU04FU	L	9002,9003,9203,9205	CHIP BEADS	ATL7010
	IC 9101		TC74VHC541FK	L	9101,9201,9202	CHIP BEADS	VTL1129
	IC 9102		BU4094BCFV	L	9206,9401,9402,9405	CHIP BEADS	ATL7010
	IC 9201,9209		A3V56S30FTP-G6	L	9207-9212,9214,9219	CHIP BEADS	VTL1129
⚠	IC 9202		BD2226G	L	9215,9216	CHOKO COIL	ATH7098
	IC 9203		LAN8720A-CP	L	9217	FILTER	CTF1703
	IC 9204		DM860A	L	9406,9409,9501	CHIP BEADS	ATL7010
	IC 9205		AYW7390	L	9510-9513,9610-9613	CHIP BEADS	ATL7010
	IC 9206		H337S3959	L	9605,9614-9618,9704	CHIP BEADS	VTL1129
⚠	IC 9401,9504,9511		MM3529A50P	L	9701,9702	CHIP BEADS	ATL7010
⚠	IC 9402		MM3542BF	L	9703,9705	CHIP BEADS	VTL1128
⚠	IC 9502,9514,9518,9523		S-1172B12-E6	JA	1601-1603,9601-9608	HDMI JACK	AKP7268
⚠	IC 9503,9524		S-1172B13-E6	JA	9201	USB CONNECTOR	DKB1106
⚠	IC 9505		MM3529A18P	JA	9202	RJ45 CONNECTOR	AKN7115
⚠	IC 9508		MM3529A25P	JA	9620	HDMI JACK	AKP7268
⚠	IC 9512		NJM2872BF33	KN	602	SCREW PLATE	VNE1948
⚠	IC 9513		NJM2846DL3-33	X	101,1601	CRYSTAL OSCILLATOR	ASS7123
⚠	IC 9515		S-1172B15-E6	X	602	CRYSTAL	ASS7094
	IC 9601		TC74VHC08FK	X	902	CRYSTAL	ASS7111
	IC 9602		SI19575CTUC	X	1201	CRYSTAL	ASS7114
	IC 9603		TC7SH04FUS1	X	1602,9601	CRYSTAL OSCILLATOR	ASS7123
	IC 9704		AYW7389	X	1801	CRYSTAL OSCILLATOR	ASS7102
	Q 601,602,701,902		DTC124EUA	X	1802	CRYSTAL OSCILLATOR	ASS7101
	Q 603,1502-1505,1509		DTA124EUA	X	9001	RESONATOR	CSS1795
	Q 901,1601,1602,9602		SSM3K15FU	X	9201	CRYSTAL(24MHZ)	DSS1203
	Q 906-908,1506		2SA1576A	CN	601	39P CONNECTOR	VKN2098
	Q 909-911,9504		2SC4081	CN	602	B TO B CONNECTOR	AKN7155
	Q 1501,1603,9603		DTC124EUA	CN	603	B TO B CONNECTOR	AKN7152
	Q 9001		DTC114YUA	CN	901	DUMMY CODE	AKN7151
⚠	Q 9503		RAQ045P01	CN	1502	B TO B 23PIN JACK	AKN7073
	D 601		RB501V-40	CN	9202	CONNECTOR	AKM1276
	D 602,603,9504,9602		1SS355	CN	9501	CONNECTOR	B7B-EH
	D 1601,1602,9601		DZ2J051M0	CN	9601	CONNECTOR	AKM1273
	D 9401		1SR154-400	CN	9701	SOCKET(30PL)	BKP1047
				CN	9702	B TO B CONNECTOR	AKP7269
				JH	9501,9502	PCB BINDER	AEF7008
MISCELLANEOUS							
	L 101-107,603,604	CHIP BEADS	VTL1129				
	L 451	INDUCTOR	ATH7096				
	L 452,9403	INDUCTOR	ATH7086				
	L 453	SMD SPL INDUCTOR	ATH7092				
	L 454,455,457-459	CHIP BEADS	ATL7010				

Mark No.	Description	Part No.	Mark No.	Description	Part No.
RESISTORS			CAPACITORS		
A	R 101,119,120	RAB4CQ470J	C 101,1357,1610,1650		CEVW101M4
	R 102-104,611-614	RAB4CQ101J	C 102,111,114,117		CGSSCH331J50
	R 108-110,1277,1284	RAB4CQ151J	C 103,106,109,112		DCH1246
	R 117,118,132-135	RAB4CQ220J	C 104,107,110,116		CEVW101M16
	R 124-128,185,186	RAB4CQ470J	C 105,108,146,162		CGSSCH101J50
	R 189,200,202	RAB4CQ103J			
	R 196-199	RAB4CQ223J	C 115,118,136,500		DCH1246
	R 208,209	RS1/16SS1001F	C 119,126,135,138		CGSSCH331J50
	R 211	RS1/16SS4700F	C 120,121,124,130		CKSSYB103K25
	R 215,1100-1102	RS1/16SS2200F	C 122,129,133,148		CGSSCH471J50
			C 123,125,127,132		CKSSYB104K16
	R 455,457,459	RS1/16SS4022F			
	R 456	RS1/16SS3002F	C 140,142,147,150		CKSSYB104K16
B	R 458,460	RS1/16SS1272F	C 144,959,1049,1252		CGSSCH102J50
	R 469	RS1/16SS8202F	C 149,151,154,163		CGSSCH331J50
	R 470	RS1/16SS7501F	C 152,153,159,161		CKSSYB104K16
			C 155,158,199-201		CKSSYB103K25
	R 471,9407	RS1/16SS2401F			
	R 475-478,789,9257	RS1/8SQ0R0J	C 156,160,170,178		CGSSCH471J50
	R 480-483,9418,9530	RS1/8SQ105J	C 157,193,215,403		CGSSCH100D50
	R 608,609,9903,9904	RAB4CQ100J	C 165,173,176,184		CGSSCH331J50
	R 907,909,1201,1202	RAB4CQ473J	C 166,167,171,175		CKSSYB104K16
			C 179,181,185		CKSSYB104K16
	R 910,911,913,914	RAB4CQ330J			
	R 919,920,923,924	RAB4CQ330J	C 180,182,207,212		CGSSCH101J50
	R 1041,1049,1677,1679	RAB4CQ330J	C 186,187,1095-1097		CGSSCH7R0D50
C	R 1047,1048,1608,1611	RAB4CQ680J	C 202-205,426,613		CKSSYB104K16
	R 1103-1105	RS1/16SS5601F	C 206,627,904,907		CGSSCH471J50
			C 222		CKSSYB472K50
	R 1115,9401,9402	RS1/10SR0R0J			
	R 1205,1207,1215,1339	RAB4CQ101J	C 223,463,610,612		CKSSYB103K25
	R 1208,1243,1244,1343	RAB4CQ473J	C 405,407,417,502		CGG1222
	R 1235,1797-1799,9227	RAB4CQ472J	C 406,9008,9525,9751		CGSSCH330J50
	R 1242,1245,1248,1249	RAB4CQ470J	C 421,424,474,476		CKSQYB105K25
			C 427,451,454,457		CGSSCH331J50
	R 1288,1289,1291,9265	RAB4CQ151J			
	R 1342,9043,9785	RAB4CQ101J	C 428,499,601,602		CEVW101M16
	R 1345-1348,9268,9686	RAB4CQ473J	C 452,455,458		CGG1236
	R 1365,9050,9226,9232	RAB4CQ470J	C 456,459,505,917		CEVW221M4
D	R 1615,1622,1623,9011	RAB4CQ680J	C 460-462		CKSRYB473K50
			C 465,489-491,501		CGSSCH100D50
	R 1680,1687,1690	RAB4CQ330J			
	R 9007-9010,9752-9755	RAB4CQ330J	C 467,1098-1100,1716		CGSSCH5R0C50
	R 9012,9018,9019,9756	RAB4CQ680J	C 477,479		CGSRCH222J50
	R 9016,9017,9024,9031	RAB4CQ220J	C 481-483,9302		CKSSYB223K16
	R 9209,9211	RAB4CQ390J	C 484-486,495-497		CGG1236
			C 487		CGSRCH102J50
	R 9233,9240	RAB4CQ470J			
	R 9234-9237	RAB4CQ121J	C 503,619,623,636		CGSSCH101J50
	R 9266	RAB4CQ151J	C 504,1656,1661,1737		CGG1222
	R 9279	RS1/16SS2801F	C 506-508,9408,9414		CGG1236
	R 9285	RS1/16SS1202F	C 604,608,611,621		CGSSCH100D50
E			C 606,607,618,620		CGSSCH331J50
	R 9286	RS1/16SS1000F			
	R 9290-9292,9294	RS1/16SS49R9F	C 614,616,628,632		CKSSYB103K25
	R 9312	RS1/16SS3001F	C 615,617,622,625		CKSSYB104K16
	R 9426	RS1/16SS3000F	C 624,631,633,635		CGSSCH331J50
	R 9427	RS1/16SS3900F	C 626,637,638,642		CKSSYB104K16
			C 634,640,648,665		CGSSCH100D50
	R 9428	RS1/16SS8201F			
	R 9513,9516	RS1/8SQ0R0J	C 639,641,647,649		CGSSCH331J50
	R 9515	RS1/8SQ475J	C 643,653,654,664		CKSSYB103K25
	R 9588,9591,9641,9952	RS1/8SQ105J	C 644,645,657,662		CKSSYB104K16
	R 9687,9901,9902,9944	RAB4CQ473J	C 646,650,651,656		CGSSCH101J50
			C 659,660,671,682		CGSSCH101J50
F	R 9757,9763,9764,9781	RAB4CQ680J			
	R 9761,9762,9766,9770	RAB4CQ220J			
	R 9908,9909	RAB4CQ100J			
	Other Resistors	RS1/16SS###J			

Mark	No.	Description	Part No.	Mark	No.	Description	Part No.
	C	666,678,679,737	CCSSCH100D50		C	1319,1325,1328,1334	CKSSYB103K25
	C	670,675,681,686	CKSSYB104K16		C	1322,1333,1339,1390	CCSSCH101J50
	C	674,696,698-701	CCSSCH331J50		C	1324,1346,1347,1359	CCSSCH331J50
	C	680,685,925,929	CKSSYB103K25		C	1342,1380,1391,1401	CKSSYB103K25
	C	690,691,697	CCSSCH101J50		C	1343,1384,1392,1394	CKSSYB104K16
	C	704,713,720,721	CCSSCH331J50		C	1361,1410,1502,1518	CCSSCH100D50
	C	705-708,717,718	CCSSCH101J50		C	1381,1388,1398,1411	CCSSCH331J50
	C	722,761,764,903	CKSSYB104K16		C	1393,1395,1425,1452	CCSSCH101J50
	C	723,728,731,733	CCSSCH331J50		C	1408,1426,1455,1457	CKSSYB103K25
	C	734,750,1040,1299	CCSSCH221J50		C	1409,1451,1453,1459	CKSSYB104K16
	C	735,749,751,752	CCSSCH101J50		C	1424,1454,1466,1468	CCSSCH331J50
	C	740-742,745,746	CCSSCH100D50		C	1433,1933,9248,9540	CKSQYB225K16
	C	748,753,754,756	CCSSCH331J50		C	1460,1462,1501,1681	CCSSCH101J50
	C	755,905,1062,1088	CCSSCH100D50		C	1461,1467,1475,1481	CKSSYB104K16
	C	757,762,765,928	CCSSCH331J50		C	1463,1465,1469,1472	CKSSYB103K25
	C	902,923,941,952	CCSSCH101J50		C	1470,1471,1523,1536	CCSSCH331J50
	C	906,927,942,945	CKSSYB104K16		C	1476,1482,1670,1694	CCSSCH471J50
	C	911,915,920,933	DCH1246		C	1477,1508,1535,1567	CKSSYB103K25
	C	913,1025,1031,1042	CEVW101M16		C	1478	CCSSCH8R0D50
	C	919,1566,1601,1615	CEVW470M4		C	1479	CCSSCH7R0D50
	C	926,930,932,956	CCSSCH471J50		C	1503,1522,1551,1564	CKSSYB104K16
	C	931,947,948,950	CKSSYB103K25		C	1509,9545,9546	CEAK102M16-P35
	C	934,937,939,963	DCH1246		C	1537,1584-1587,1744	CCSSCH100D50
	C	946,1089-1091,1674	DCH1201		C	1541,1546,1552,1571	CCSSCH331J50
	C	953,957,965,1029	CKSSYB103K25		C	1574,1595,1666,1673	CKSSYB104K16
	C	954,958,969,1024	CCSSCH331J50		C	1575,1581-1583	CCSSCH331J50
	C	955,962,964,1026	CKSSYB104K16		C	1590-1592,1594,1623	CCSSCH331J50
	C	960,961,1069,1116	CCSSCH471J50		C	1593,1618,1658,1663	CKSSYB103K25
	C	1027,1033,1041,1084	CCSSCH101J50		C	1596,1756,1835,9061	CCSSCH221J50
	C	1028,1036	CCSSCH270J50		C	1606,1624,1704	CKSQYB103K50
	C	1030,1035,1037,1046	CCSSCH331J50		C	1612,1617,1619,1635	DCH1246
	C	1032,1050-1052,1055	CKSSYB104K16		C	1621,1631,1693,9543	CKSRYP103K50
	C	1034,1038,1039,1043	CKSSYB103K25		C	1625,1642,1643,1645	CEVW470M4
	C	1044	CKSSYB823K10		C	1633,1667,1675,1679	CCSSCH331J50
	C	1045,1047,1054,1056	CKSSYB103K25		C	1640,1647,1652,1665	DCH1246
	C	1048,1060,1063,1065	DCH1263		C	1655,1660,1669,9298	CEVW470M4
	C	1057,1059,1061,1067	CKSSYB104K16		C	1668,1680,1682,1684	CKSSYB103K25
	C	1064,1075,9005,9029	CEVW101M16		C	1678,1687,1698,1700	CKSSYB104K16
	C	1068,1071,1072	CKSSYB104K16		C	1683,1689,1702,1730	CCSSCH101J50
	C	1070,1079,1080,1225	CCSSCH331J50		C	1685,1691,1699,1701	CCSSCH331J50
	C	1074,1205,1352,1713	DCH1263		C	1688,1690,1692,1705	CKSSYB103K25
	C	1092-1094,1110-1112	CKSSYB104K16		C	1695,1696,1711,1722	DCH1246
	C	1101-1103,1107-1109	CCSSCH180J50		C	1706,1725,1735,1745	CCSSCH331J50
	C	1104-1106	CCSSCH4R0C50		C	1717,9609,9610	CCSSCH5R0C50
	C	1115,1118,1213,1223	CKSSYB104K16		C	1720,1729,9217,9312	CEVW221M4
	C	1119,1456,1458,1464	CCSSCH471J50		C	1724,1752,1753,1761	CKSSYB103K25
	C	1203,1222,1230,1839	CKSRYP105K16		C	1726,1739,1749,1755	CKSSYB104K16
	C	1206	CCSSCH220J50		C	1734,1750,1760,1762	CCSSCH101J50
	C	1207,1355,1358,1630	CEVW221M4		C	1736,1746,1793,1795	DCH1246
	C	1208,1427,1638,1733	VCH1234		C	1740,1808,1811,9201	CCG1222
	C	1214,1349-1351,1605	DCH1246		C	1742,1935,9530,9648	CEVW101M4
	C	1215,1220,1231,1246	CCSSCH101J50		C	1751,1754,1758,1766	CCSSCH331J50
	C	1224,1238,1243,1270	CKSSYB103K25		C	1757,1759,1763,1769	CKSSYB104K16
	C	1226,1244,1248,1251	CCSSCH331J50		C	1764,1772,1780,1792	CCSSCH101J50
	C	1229,1236,1240,1254	CKSSYB104K16		C	1765,1767,1771,1773	CKSSYB103K25
	C	1256,1268,1278,1286	CCSSCH101J50		C	1768,1770,1774,1776	CCSSCH331J50
	C	1267,1276,1289,1297	CKSSYB104K16		C	1775,1779,1781,1783	CKSSYB103K25
	C	1272,1285,1305,1318	CKSSYB103K25		C	1777,1787,1789,1809	CKSSYB104K16
	C	1274,1294,1311,1323	CCSSCH331J50		C	1778,1782,1784,1786	CCSSCH331J50
	C	1313,1326	CCSSCH150J50		C	1785,1791,1801,9010	CKSSYB103K25

	Mark No. Description	Part No.	Mark No. Description	Part No.
A	C 1788,1790,1803,1810	CCSSCH331J50	C 9314,9367,9436,9475	CEVW221M4
	C 1797,1799,9030,9628	DCH1246	C 9318	CKSRYP105K16
	C 1812,1828,1834,1846	CKSSYB104K16	C 9324,9411	CKSSYB222K50
	C 1813,1829,1845,1866	CCSSCH331J50	C 9356,9359,9364,9413	CCSSCH331J50
	C 1824,1855,9011,9019	CCSSCH101J50	C 9357,9362,9366,9409	CKSSYB103K25
	C 1825,9039,9054,9069	CCSSCH471J50	C 9360,9363,9491,9506	CKSSYB104K16
	C 1854,1864,1926,1931	CKSSYB104K16	C 9361,9365,9434,9504	CCSSCH101J50
	C 1927,9013,9015,9021	CCSSCH331J50	C 9401,9402,9415,9431	CCSSCH100D50
	C 1932,9006,9007,9012	CKSSYB104K16	C 9403,9405,9406,9438	CKSQYB105K25
	C 1934	CFHXSQ103J16	C 9412	CKSSYB153K16
B	C 9001,9075,9332,9410	CKSRYP104K50	C 9420,9487,9507,9518	CCSSCH331J50
	C 9004,9639	VCH1234	C 9424,9426-9428,9490	CKSSYB103K25
	C 9009,9022,9034,9065	CCSSCH100D50	C 9432,9477,9478,9480	CCSSCH100D50
	C 9014,9018,9023,9025	CKSSYB104K16	C 9435,9479,9481,9486	CCG1222
	C 9016,9020,9028,9035	CKSSYB103K25	C 9440,9517,9519,9524	CKSQYB105K25
	C 9024,9027,9046,9053	CCSSCH101J50	C 9485,9492,9495,9501	CCSSCH100D50
	C 9026,9032,9038,9048	CCSSCH331J50	C 9488,9493,9496,9503	CCG1222
	C 9031,9036,9042,9044	CKSSYB104K16	C 9502,9509,9522,9534	CCSSCH100D50
	C 9037,9245,9246	CCSSCH120J50	C 9505,9643,9646	CCG1222
	C 9040,9041,9043,9045	CKSSYB103K25	C 9508,9626,9635	CEVW221M4
C	C 9047,9059,9063,9066	CKSSYB104K16	C 9516,9533,9535,9548	CCSSCH101J50
	C 9049,9050,9052,9058	CKSSYB103K25	C 9526,9536,9582,9590	CKSQYB105K25
	C 9051,9055,9062,9064	CCSSCH331J50	C 9528,9531,9632,9659	CKSSYB104K16
	C 9056,9057,9072,9085	CCSSCH101J50	C 9529,9585,9599,9602	CCSSCH331J50
	C 9060,9071,9086,9087	CKSSYB103K25	C 9544,9799	CKSRYP104K50
	C 9068,9073,9080,9088	CKSSYB104K16	C 9575	CCG1236
	C 9070,9662,9770,9789	CCSSCH221J50	C 9581,9597,9616,9617	CCSSCH101J50
	C 9074,9076,9077,9081	CCSSCH331J50	C 9598,9621,9624,9633	CCSSCH100D50
	C 9089,9094,9095,9097	CKSSYB103K25	C 9604,9606,9608,9612	CCSSCH331J50
	C 9090-9093,9096,9102	CKSSYB104K16	C 9613	DCH1201
D	C 9098,9203,9207,9212	CKSSYB103K25	C 9623,9657,9664,9672	CCSSCH331J50
	C 9101,9204,9211,9215	CCSSCH101J50	C 9637,9701-9706	CCSSCH100D50
	C 9126,9208,9229,9241	CCSSCH100D50	C 9640,9650,9660,9666	CCSSCH101J50
	C 9131,9144,9202,9205	CKSSYB104K16	C 9642,9652,9697,9700	DCH1246
	C 9132,9143,9206,9209	CCSSCH331J50	C 9651	CEVW470M4
	C 9210,9213,9227,9234	CKSSYB104K16	C 9661,9663,9665,9669	CKSSYB103K25
	C 9214,9232,9235,9243	CCSSCH331J50	C 9667,9673,9675,9687	CKSSYB104K16
	C 9216,9219,9221,9223	CKSSYB103K25	C 9668,9670,9678,9684	CCSSCH101J50
	C 9220,9224,9225,9238	CCSSCH101J50	C 9671,9677,9679,9681	CKSSYB103K25
	C 9222,9289,9690,9761	CCSSCH471J50	C 9674,9676,9680,9682	CCSSCH331J50
E	C 9230,9233	DCH1263	C 9683,9685,9689,9693	CKSSYB103K25
	C 9231,9237,9244,9252	CKSSYB103K25	C 9686,9688,9692,9694	CCSSCH331J50
	C 9236,9284,9285,9433	CCG1222	C 9691,9708,9710-9712	CKSSYB104K16
	C 9240,9242,9256,9266	CKSSYB104K16	C 9695,9709,9713-9715	CKSSYB103K25
	C 9249,9279,9326	CCSSCH102J50	C 9696,9754,9758,9777	CCSSCH101J50
	C 9250,9489,9559,9600	CEVW101M16	C 9698,9745,9756,9759	CCSSCH331J50
	C 9251,9255,9263,9265	CCSSCH331J50	C 9716-9718,9720,9722	CKSSYB104K16
	C 9253,9257,9259,9261	CCSSCH101J50	C 9719,9723,9729,9753	CKSSYB103K25
	C 9254,9258,9260,9262	CKSSYB103K25	C 9721,9725,9727,9728	CKSSYB332K50
	C 9264,9268,9270,9276	CKSSYB103K25	C 9724,9749,9750,9755	CKSSYB104K16
	C 9267,9271,9281,9291	CCSSCH331J50	C 9730-9740,9742,9746	CCSSCH100D50
	C 9269,9273,9296,9358	CCSSCH100D50	C 9747,9748,9772	CEVW101M16
	C 9272,9274,9278,9280	CKSSYB104K16	C 9752,9765,9769,9782	CCSSCH100D50
	C 9275,9277,9287,9293	CCSSCH101J50	C 9757,9762-9764,9768	CKSSYB104K16
	C 9282,9283,9286,9290	CKSSYB103K25	C 9760,9766,9771,9774	CKSSYB103K25
F	C 9288,9311,9337,9355	CKSSYB104K16	C 9767,9775,9778,9783	CCSSCH331J50
	C 9292,9325,9333,9353	CKSSYB103K25	C 9773,9910,9912,9914	DCH1246
	C 9297,9319,9334,9344	CCSSCH331J50	C 9776,9779,9788,9805	CKSSYB104K16
	C 9300,9614,9615,9645	CEVW470M4	C 9780,9786,9790,9792	CKSSYB103K25
	C 9301,9310,9338,9354	CCSSCH101J50	C 9781,9784,9787,9795	CCSSCH101J50

Mark	No.	Description	Part No.	Mark	No.	Description	Part No.
	C	9785,9793,9797,9800	CCSSCH331J50		IC	9204	DM860A
	C	9791	CCSSCH471J50		IC	9205	AYW7390
	C	9794,9798,9804,9814	CKSSYB103K25		IC	9206	H337S3959
	C	9796,9810,9822,9924	CCSSCH101J50	⚠	IC	9401,9504,9511	MM3529A50P
	C	9801-9803	CCSSCH100D50	⚠	IC	9402	MM3542BF
	C	9811,9812,9816,9817	CKSSYB104K16	⚠	IC	9502,9514,9518,9523	S-1172B12-E6
	C	9813,9815,9819,9902	CCSSCH331J50	⚠	IC	9503,9524	S-1172B13-E6
	C	9818,9908,9918,9919	CKSSYB103K25	⚠	IC	9505	MM3529A18P
	C	9820	CCSSCH221J50	⚠	IC	9508	MM3529A25P
	C	9821,9925,9928	CKSSYB104K16	⚠	IC	9512	NJM2872BF33
	C	9916	DCH1246	⚠	IC	9513	NJM2846DL3-33
	C	9920,9926,9929	CCSSCH331J50	⚠	IC	9515	S-1172B15-E6
					IC	9601	TC74VHC08FK
					IC	9602	SII9575CTUC
					IC	9603	TC7SH04FUS1

E DIGITAL MAIN ASSY (SC-LX57)

SEMICONDUCTORS

	IC	101	UPD61110GM-100UEVA
	IC	102	M12L2561616A-5TG2A
	IC	103	AYW7385
	IC	104,604,1808	TC7WHU04FK
	IC	105,613,1601,1616	TC74VHC08FK
⚠	IC	451	TPS65251RHA
	IC	601,612,1502	TC74VHCT08AFKS1
	IC	603	PE7008A
	IC	608	TC74VHCT541AFK
	IC	610,1509	TC74VHC126FK
	IC	611	TC74VHCT126AFK
	IC	614,616,701,1521	TC7SH08FUS1
	IC	615	TC7SZ126FU
	IC	901,910	TC74LCX541FK
	IC	902,911	TC7SZ125FU
	IC	903	SII9587CNUC-3
	IC	909	ADV7181CBSTZ
	IC	1204	88DE2750
	IC	1212	H5PS5162GFR-S5C
⚠	IC	1216	BD3539NUX
	IC	1501,1515,1814,1815	TC74LCX157FK
	IC	1511	ICS511MLF
	IC	1516	TC7WH157FK
	IC	1602	SII9616CTUC
⚠	IC	1605,1610,1615	AAT4610BIGV-1
	IC	1609	SII9573CTUC
	IC	1802	TC74LCX08FK
	IC	1806,1807	TC7WH126FK
	IC	1812,9208	TC7SH08FUS1
	IC	1817	TC74VHC157FK
	IC	9001,9702	M12L64164A-5TG2Y
	IC	9002,9703	D808K013DPTP400
	IC	9004	AYW7387
	IC	9005	TC7WGU04FK
	IC	9006	TC7SZU04FU
	IC	9101	TC74VHC541FK
	IC	9102	BU4094BCFV
	IC	9201,9209	A3V56S30FTP-G6
⚠	IC	9202	BD2226G
	IC	9203	LAN8720A-CP

	IC	9704	AYW7389
	Q	601,602,701,902	DTC124EUA
	Q	603,1502-1505,1509	DTA124EUA
	Q	901,1601,1602,9602	SSM3K15FU
	Q	906-908,1506	2SA1576A
	Q	909-911,9504	2SC4081
	Q	1501,1603,9603	DTC124EUA
	Q	9001	DTC114YUA
⚠	Q	9503	RAQ045P01
	D	601	RB501V-40
	D	602,603,9504,9602	1SS355
	D	1601,1602,9601	DZ2J051M0
	D	9401	1SR154-400

MISCELLANEOUS

L	101-107,603,604 CHIP BEADS	VTL1129
L	451 INDUCTOR	ATH7096
L	452,9403 INDUCTOR	ATH7086
L	453 SMD SPL INDUCTOR	ATH7092
L	454,455,457-459 CHIP BEADS	ATL7010
L	606,903,907,908 CHIP BEADS	VTL1129
L	901,902,918,1210 CHIP BEADS	ATL7010
L	917,919,928,929 CHIP BEADS	VTL1129
L	921 INDUCTOR	CTF1547
L	922-924 INDUCTOR	ATL7033
L	925-927 INDUCTOR	ATL7035
L	1208,1209,1503,1505 CHIP BEADS	VTL1129
L	1507,1515,1521,1522 CHIP BEADS	VTL1129
L	1510,9004,9010,9011 CHIP BEADS	VTL1128
L	1601-1604,1607,1608 CHIP BEADS	VTL1129
L	1605,1606,1621-1624 CHIP BEADS	ATL7010
L	1609-1612,1630-1633 COIL	ATH7064
L	1613,1614,1625-1628 CHIP BEADS	VTL1129
L	1617 CHIP BEADS	VTL1126
L	1618,1634,1642 FERRITE BEAD	CTF1528
L	1638-1641 COIL	ATH7064
L	1643,1801-1803 CHIP BEADS	VTL1129
L	1806-1808,1810,1815 CHIP BEADS	VTL1129
L	1817,1818,9005-9007 CHIP BEADS	VTL1129
L	9002,9003,9203,9205 CHIP BEADS	ATL7010
L	9101,9201,9202 CHIP BEADS	VTL1129
L	9206,9401,9402,9405 CHIP BEADS	ATL7010
L	9207-9212,9214,9219 CHIP BEADS	VTL1129
L	9215,9216 CHOKE COIL	ATH7098
L	9217 FILTER	CTF1703

Mark	No.	Description	Part No.	Mark	No.	Description	Part No.
A	L	9406,9409,9501 CHIP BEADS	ATL7010	R	1103-1105		RS1/16SS5601F
	L	9510-9513,9610-9613 CHIP BEADS	ATL7010	R	1115,9401,9402		RS1/10SR0R0J
	L	9605,9614-9618,9704 CHIP BEADS	VTL1129	R	1205,1207,1215,1339		RAB4CQ101J
	L	9701,9702 CHIP BEADS	ATL7010	R	1208,1243,1244,1343		RAB4CQ473J
	L	9703,9705 CHIP BEADS	VTL1128	R	1235,1797-1799,9227		RAB4CQ472J
B	JA	1601-1603,9601-9608 HDMI JACK	AKP7268	R	1242,1245,1248,1249		RAB4CQ470J
	JA	9201 USB CONNECTOR	DKB1106	R	1288,1289,1291,9265		RAB4CQ151J
	JA	9202 RJ45 CONNECTOR	AKN7115	R	1342,9043,9785		RAB4CQ101J
	JA	9620 HDMI JACK	AKP7268	R	1345-1348,9268,9686		RAB4CQ473J
	KN	602 SCREW PLATE	VNE1948	R	1365,9050,9226,9232		RAB4CQ470J
C	X	101,1601 CRYSTAL OSCILLATOR	ASS7123	R	1615,1622,1623,9011		RAB4CQ680J
	X	602 CRYSTAL	ASS7094	R	1680,1687,1690		RAB4CQ330J
	X	902 CRYSTAL	ASS7111	R	9007-9010,9752-9755		RAB4CQ330J
	X	1201 CRYSTAL	ASS7114	R	9012,9018,9019,9756		RAB4CQ680J
	X	1602,9601 CRYSTAL OSCILLATOR	ASS7123	R	9016,9017,9024,9031		RAB4CQ220J
D	X	1801 CRYSTAL OSCILLATOR	ASS7102	R	9209,9211		RAB4CQ390J
	X	1802 CRYSTAL OSCILLATOR	ASS7101	R	9233,9240		RAB4CQ470J
	X	9001 RESONATOR	CSS1795	R	9234-9237		RAB4CQ121J
	X	9201 CRYSTAL(24MHZ)	DSS1203	R	9266		RAB4CQ151J
	CN	601 39P CONNECTOR	VKN2098	R	9279		RS1/16SS2801F
E	CN	602 B TO B CONNECTOR	AKN7155	R	9285		RS1/16SS1202F
	CN	603 B TO B CONNECTOR	AKN7152	R	9286		RS1/16SS1000F
	CN	901 DUMMY CODE	AKN7151	R	9290-9292,9294		RS1/16SS49R9F
	CN	1502 B TO B 23PIN JACK	AKN7073	R	9312		RS1/16SS3001F
	CN	9202 CONNECTOR	AKM1276	R	9426		RS1/16SS3000F
F	CN	9501 CONNECTOR	B7B-EH	R	9427		RS1/16SS3900F
	CN	9601 CONNECTOR	AKM1273	R	9428		RS1/16SS8201F
	CN	9701 SOCKET(30PL)	BKP1047	R	9513,9516		RS1/8SQ0R0J
	CN	9702 B TO B CONNECTOR	AKP7269	R	9515		RS1/8SQ475J
	JH	9501,9502 PCB BINDER	AEF7008	R	9525		RS1/4SA105J

RESISTORS

R	101,119,120	RAB4CQ470J
R	102-104,611-614	RAB4CQ101J
R	108-110,1277,1284	RAB4CQ151J
R	117,118,132-135	RAB4CQ220J
R	124-128,185,186	RAB4CQ470J

R	189,200,202	RAB4CQ103J
R	196-199	RAB4CQ223J
R	208,209	RS1/16SS1001F
R	211	RS1/16SS4700F
R	215,1100-1102	RS1/16SS2200F

R	455,457,459	RS1/16SS4022F
R	456	RS1/16SS3002F
R	458,460	RS1/16SS1272F
R	469	RS1/16SS8202F
R	470	RS1/16SS7501F

R	471,9407	RS1/16SS2401F
R	475,476	ATL7010
R	477,478,789,9257	RS1/8SQ0R0J
R	480-483,9418,9530	RS1/8SQ105J
R	608,609,9903,9904	RAB4CQ100J

R	907,909,1201,1202	RAB4CQ473J
R	910,911,913,914	RAB4CQ330J
R	919,920,923,924	RAB4CQ330J
R	1041,1049,1677,1679	RAB4CQ330J
R	1047,1048,1608,1611	RAB4CQ680J

R	9588,9591,9641,9952	RS1/8SQ105J
R	9687,9901,9902,9944	RAB4CQ473J
R	9757,9763,9764,9781	RAB4CQ680J
R	9761,9762,9766,9770	RAB4CQ220J
R	9908,9909	RAB4CQ100J

Other Resistors RS1/16SS###J

CAPACITORS

C	101,1357,1610,1650	CEVW101M4
C	102,111,114,117	CCSSCH331J50
C	103,106,109,112	DCH1246
C	104,107,110,116	CEVW101M16
C	105,108,146,162	CCSSCH101J50

C	115,118,136,500	DCH1246
C	119,126,135,138	CCSSCH331J50
C	120,121,124,130	CKSSYB103K25
C	122,129,133,148	CCSSCH471J50
C	123,125,127,132	CKSSYB104K16

C	140,147,150,152	CKSSYB104K16
C	144,959,1049,1252	CCSSCH102J50
C	149,151,154,163	CCSSCH331J50
C	153,159,161,166	CKSSYB104K16
C	155,158,199-201	CKSSYB103K25

C	156,160,170,178	CCSSCH471J50
C	157,193,403,465	CCSSCH100D50
C	165,173,184,427	CCSSCH331J50
C	167,171,175,179	CKSSYB104K16
C	176,215,492,536	CCSSCH470J50

Mark	No.	Description	Part No.	Mark	No.	Description	Part No.
	C	180,182,207,212	CCSSCH101J50		C	926,930,932,956	CCSSCH471J50
	C	181,185,202-205	CKSSYB104K16		C	931,947,948,950	CKSSYB103K25
	C	186,187,1095-1097	CCSSCH7R0D50		C	934,937,939,963	DCH1246
	C	206,627,904,907	CCSSCH471J50		C	942,945,955,962	CKSSYB104K16
	C	216,426,615,617	CKSSYB104K16		C	946,1089-1091,1674	DCH1201
	C	222	CKSSYB472K50		C	953,957,965,1029	CKSSYB103K25
	C	223,463,610,612	CKSSYB103K25		C	954,1024,1030,1035	CCSSCH331J50
	C	405,407,417,502	CCG1222		C	960,961,1069,1116	CCSSCH471J50
	C	406,498,572,613	CCSSCH330J50		C	964,1026,1032	CKSSYB104K16
	C	421,9201,9284,9285	VCG1072		C	1028,1036,1274,1390	CCSSCH270J50
	C	424,474,476,9403	CKSQYB105K25		C	1033,1041,1084,1215	CCSSCH101J50
	C	428,499,601,602	CEVW101M16		C	1034,1038,1039,1043	CKSSYB103K25
	C	451,454,457,512	CCSSCH331J50		C	1037,1046,1070,1079	CCSSCH331J50
	C	452,455,458	CCG1236		C	1044	CKSSYB823K10
	C	456,459,505,917	CEVW221M4		C	1045,1047,1054,1056	CKSSYB103K25
	C	460-462	CKSRYB473K50		C	1048,1060,1063,1065	DCH1263
	C	467,1098-1100,1716	CCSSCH5R0C50		C	1050-1052,1055,1057	CKSSYB104K16
	C	477,479	CCSRCH222J50		C	1059,1061,1067,1068	CKSSYB104K16
	C	481-483	CKSSYB223K16		C	1064,1075,9005,9029	CEVW101M16
	C	484-486,495-497	CCG1236		C	1071,1072,1092-1094	CKSSYB104K16
	C	487	CCSRCH102J50		C	1074,1205,1352,1713	DCH1263
	C	488,9407	CCSQCH330J50		C	1080,1225,1226,1244	CCSSCH331J50
	C	489-491,501,604	CCSSCH100D50		C	1088,1361,1410,1502	CCSSCH100D50
	C	503,619,623,636	CCSSCH101J50		C	1101-1103,1107-1109	CCSSCH180J50
	C	504,1656,1661,1737	CCG1222		C	1104-1106	CCSSCH4R0C50
	C	506-508,9408,9414	CCG1236		C	1110-1112,1115,1118	CKSSYB104K16
	C	554,1206,1220,1278	CCSSCH220J50		C	1119,1456,1458,1464	CCSSCH471J50
	C	606,607,618,620	CCSSCH331J50		C	1203,1222,1230,1839	CKSRYB105K16
	C	608,611,621,634	CCSSCH100D50		C	1207,1355,1358,1630	CEVW221M4
	C	614,616,628,632	CKSSYB103K25		C	1208,1427,1638,1733	VCH1234
	C	622,625,626,637	CKSSYB104K16		C	1213,1223,1229,1240	CKSSYB104K16
	C	624,631,633,635	CCSSCH331J50		C	1214,1349-1351,1605	DCH1246
	C	638,642,644,645	CKSSYB104K16		C	1224,1236,1238,1243	CKSSYB103K25
	C	639,641,647,649	CCSSCH331J50		C	1231,1246,1256,1268	CCSSCH101J50
	C	640,665,666,679	CCSSCH100D50		C	1248,1251,1311,1323	CCSSCH331J50
	C	643,653,654,664	CKSSYB103K25		C	1254,1276,1289,1297	CKSSYB104K16
	C	646,650,651,656	CCSSCH101J50		C	1267,1270,1272,1285	CKSSYB103K25
	C	648,739,741,743	CCSSCH470J50		C	1286,1322,1333,1339	CCSSCH101J50
	C	657,662,670,675	CKSSYB104K16		C	1305,1318,1319,1325	CKSSYB103K25
	C	659,660,671,682	CCSSCH101J50		C	1313,1326,9730-9732	CCSSCH150J50
	C	674,696,698-701	CCSSCH331J50		C	1324,1346,1347,1359	CCSSCH331J50
	C	678,958,969,1670	CCSSCH330J50		C	1328,1334,1342,1380	CKSSYB103K25
	C	680,685,925,929	CKSSYB103K25		C	1343,1384,1392,1394	CKSSYB104K16
	C	681,686,722,761	CKSSYB104K16		C	1381,1388,1398,1411	CCSSCH331J50
	C	690,691,697	CCSSCH101J50		C	1391,1401,1408,1426	CKSSYB103K25
	C	704,713,720,721	CCSSCH331J50		C	1393,1689,1691,9072	CCSSCH220J50
	C	705-708,717,718	CCSSCH101J50		C	1395,1425,1452,1460	CCSSCH101J50
	C	723,728,731,733	CCSSCH331J50		C	1409,1451,1453,1459	CKSSYB104K16
	C	734,750,1040,1299	CCSSCH221J50		C	1424,1454,1466,1468	CCSSCH331J50
	C	735,749,751,752	CCSSCH101J50		C	1433,1933,9248,9540	CKSQYB225K16
	C	737,740,742,745	CCSSCH100D50		C	1455,1457,1463,1465	CKSSYB103K25
	C	744,952,1294,1483	CCSSCH470J50		C	1461,1467,1475,1481	CKSSYB104K16
	C	746,755,905,1062	CCSSCH100D50		C	1462,1501,1681,1702	CCSSCH101J50
	C	748,753,754,756	CCSSCH331J50		C	1469,1472,1477,1503	CKSSYB103K25
	C	757,762,765,928	CCSSCH331J50		C	1470,1471,1523,1536	CCSSCH331J50
	C	764,903,906,927	CKSSYB104K16		C	1476,1482,1694,1825	CCSSCH471J50
	C	902,923,941,1027	CCSSCH101J50		C	1478	CCSSCH8R0D50
	C	911,915,920,933	DCH1246		C	1479	CCSSCH7R0D50
	C	913,1025,1031,1042	CEVW101M16		C	1508,1522,1535,1567	CKSSYB103K25
	C	919,1566,1601,1615	CEVW470M4		C	1509,9545,9546	CEAK102M16-P35

Mark	No.	Description	Part No.	Mark	No.	Description	Part No.
A	C	1518,1537,1584-1587	CCSSCH100D50	C	9044,9047,9059,9063	CKSSYB104K16	
	C	1541,1546,1552,1571	CCSSCH331J50	C	9046,9053,9057,9101	CCSSCH101J50	
	C	1551,1595,1666,1673	CKSSYB104K16	C	9050,9052,9058,9060	CKSSYB103K25	
	C	1574,1593,1618,1658	CKSSYB103K25	C	9051,9055,9062,9064	CCSSCH331J50	
	C	1575,1581-1583	CCSSCH331J50	C	9065,9126,9208,9229	CCSSCH100D50	
B	C	1590-1592,1594,1623	CCSSCH331J50	C	9066,9068,9073,9080	CKSSYB104K16	
	C	1596,1756,1835,9061	CCSSCH221J50	C	9070,9662,9770,9789	CCSSCH221J50	
	C	1606,1624,1704	CKSQYB103K50	C	9071,9086,9087,9089	CKSSYB103K25	
	C	1612,1617,1619,1635	DCH1246	C	9074,9076,9077,9081	CCSSCH331J50	
	C	1621,1631,1693,9543	CKSRYP103K50	C	9085,9269,9342,9343	CCSSCH470J50	
C	C	1625,1642,1643,1645	CEVW470M4	C	9088,9090-9093,9096	CKSSYB104K16	
	C	1633,1667,1675,1679	CCSSCH331J50	C	9094,9095,9097,9098	CKSSYB103K25	
	C	1640,1647,1652,1665	DCH1246	C	9102,9131,9144,9202	CKSSYB104K16	
	C	1655,1660,1669,9298	CEVW470M4	C	9132,9143,9206,9209	CCSSCH331J50	
	C	1657,9301,9344	CCSSCH270J50	C	9203,9207,9212,9216	CKSSYB103K25	
D	C	1663,1668,1680,1682	CKSSYB103K25	C	9204,9211,9220,9224	CCSSCH101J50	
	C	1678,1687,1698,1700	CKSSYB104K16	C	9205,9210,9213,9234	CKSSYB104K16	
	C	1683,1750,1751,1824	CCSSCH330J50	C	9214,9235,9243,9251	CCSSCH331J50	
	C	1684,1688,1690,1692	CKSSYB103K25	C	9219,9221,9223,9231	CKSSYB103K25	
	C	1685,1766,1768,1784	CCSSCH470J50	C	9225,9238,9253,9257	CCSSCH101J50	
E	C	1695,1696,1711,1722	DCH1246	C	9230,9233	DCH1263	
	C	1699,1701,1706,1725	CCSSCH331J50	C	9232	CCSSCH181J50	
	C	1705,1724,1752,1753	CKSSYB103K25	C	9237,9244,9252,9254	CKSSYB103K25	
	C	1717,9609,9610	CCSSCH5ROC50	C	9240,9242,9256,9266	CKSSYB104K16	
	C	1720,1729,9217,9314	CEVW221M4	C	9241,9273,9296,9358	CCSSCH100D50	
F	C	1726,1749,1755,1757	CKSSYB104K16	C	9249,9279,9326	CCSSCH102J50	
	C	1730,1734,1760,1762	CCSSCH101J50	C	9250,9489,9559,9600	CEVW101M16	
	C	1735,1745,1754,1758	CCSSCH331J50	C	9255,9263,9265,9271	CCSSCH331J50	
	C	1736,1746,1793,1795	DCH1246	C	9258,9260,9262,9264	CKSSYB103K25	
	C	1740,1808,1811,9236	CGG1222	C	9259,9261,9637,9791	CCSSCH220J50	
G	C	1742,1935,9530,9648	CEVW101M4	C	9268,9270,9276,9286	CKSSYB103K25	
	C	1744,9009,9022,9034	CCSSCH100D50	C	9272,9274,9278,9280	CKSSYB104K16	
	C	1759,1763,1769,1777	CKSSYB104K16	C	9275,9277,9297,9310	CCSSCH101J50	
	C	1761,1765,1767,1771	CKSSYB103K25	C	9281,9289,9291,9319	CCSSCH331J50	
	C	1764,1772,1780,1855	CCSSCH101J50	C	9282,9283	CKSSYB152K50	
H	C	1770,1774,1776,1778	CCSSCH331J50	C	9287,9293,9313,9365	CCSSCH330J50	
	C	1773,1775,1779,1781	CKSSYB103K25	C	9288,9311,9337,9355	CKSSYB104K16	
	C	1782,1786,1788,1803	CCSSCH331J50	C	9290,9302,9325,9333	CKSSYB103K25	
	C	1783,1785,1789,1791	CKSSYB103K25	C	9292,9690,9761	CCSSCH471J50	
	C	1787,1809,1812,1828	CKSSYB104K16	C	9300,9614,9615,9645	CEVW470M4	
I	C	1790,1792,9015,9056	CCSSCH470J50	C	9318	CKSRYP105K16	
	C	1797,1799,9030,9628	DCH1246	C	9324,9411	CKSSYB222K50	
	C	1801,1846,9010,9016	CKSSYB103K25	C	9334,9356,9359,9364	CCSSCH331J50	
	C	1810,1813,1829,1845	CCSSCH331J50	C	9338,9354,9361,9434	CCSSCH101J50	
	C	1834,1854,1864,1926	CKSSYB104K16	C	9345	RS1/16SS105J	
J	C	1847	CEVW470M6R3	C	9353,9357,9362,9366	CKSSYB103K25	
	C	1866,1927,9013,9021	CCSSCH331J50	C	9360,9363,9491,9506	CKSSYB104K16	
	C	1931,1932,9006,9007	CKSSYB104K16	C	9367,9436,9475,9508	CEVW221M4	
	C	1934	CFHXSQ103J16	C	9401,9402,9415,9431	CCSSCH100D50	
	C	9001,9075,9332,9410	CKSRYP104K50	C	9405,9406,9438,9440	CKSQYB105K25	
K	C	9004,9312,9639	VCH1234	C	9409,9424,9426-9428	CKSSYB103K25	
	C	9008,9100,9215,9267	CCSSCH330J50	C	9412	CKSSYB153K16	
	C	9011,9019,9024,9027	CCSSCH101J50	C	9413,9420,9487,9507	CCSSCH331J50	
	C	9012,9014,9018,9023	CKSSYB104K16	C	9432,9477,9478,9480	CCSSCH100D50	
	C	9020,9028,9035,9040	CKSSYB103K25	C	9433,9435,9479,9481	CGG1222	
L	C	9025,9031,9036,9042	CKSSYB104K16	C	9485,9525,9684,9694	CCSSCH330J50	
	C	9026,9032,9038,9048	CCSSCH331J50	C	9486,9488,9493,9496	CGG1222	
	C	9037,9245,9246	CCSSCH120J50	C	9492,9495,9501,9509	CCSSCH100D50	
	C	9039,9054,9069,9222	CCSSCH471J50	C	9502,9666,9668,9672	CCSSCH470J50	
	C	9041,9043,9045,9049	CKSSYB103K25	C	9503,9505,9643,9646	CGG1222	

Mark	No.	Description	Part No.	Mark	No.	Description	Part No.		
C	9504,9516,9533,9535		CCSSCH101J50	F	INTERFACE_S ASSY				
C	9517,9519,9524,9526		CKSQYB105K25						
C	9518,9529,9585,9599		CCSSCH331J50						
C	9522,9534,9598,9621		CCSSCH100D50						
C	9528,9531,9632,9659		CKSSYB104K16						
C	9536,9582,9590		CKSQYB105K25						
C	9548,9581,9597,9616		CCSSCH101J50						
C	9575		CCG1236						
C	9601		CCSSCH561J50						
C	9602		CCSSCH151J50						
C	9604,9606,9608,9612		CCSSCH331J50	SEMICONDUCTORS	Q	7001-7003,7013,7015	DTC124EUA		
C	9613		DCH1201		Q	7005	2SA1576A		
C	9617,9640,9650,9660		CCSSCH101J50		Q	7008,7010	2SA1036K		
C	9623,9657,9664,9674		CCSSCH331J50		Q	7014,7016	DTA124EUA		
C	9624,9633,9701-9706		CCSSCH100D50		Q	7025-7028	2SD2704K		
C	9626,9635		CEVW221M4		D	7005	DAN202U		
C	9642,9652,9697,9700		DCH1246		D	7007,7009	RB501VM-40		
C	9651		CEVW470M4		D	7024	1SS355		
C	9661,9663,9665,9669		CKSSYB103K25		MISCELLANEOUS				
C	9667,9673,9687,9691		CKSSYB104K16		L	7001 CHIP SOLID INDUCTOR	ATL7002		
C	9670,9678,9696,9754		CCSSCH101J50	L	7005-7007 CHIP SOLID INDUCTOR	QTL1013			
C	9671,9675,9677,9679		CKSSYB103K25	JA	7001,7004,7005 JACK	VKB1243			
C	9676,9680,9682,9686		CCSSCH331J50	JA	7003 JACK	AKN-209			
C	9681,9683,9685,9689		CKSSYB103K25	KN	7001 SCREW PLATE	VNE1948			
C	9688,9692,9698,9745		CCSSCH331J50	KN	7005,7006 EARTH TERMINAL	AKF7002			
C	9693,9695,9709		CKSSYB103K25	CN	7003 B TO B CONNECTOR	AKM7225			
C	9708,9710-9712		CKSSYB104K16	CN	7004 B TO B CONNECTOR	AKM7222			
C	9713-9715,9719,9723		CKSSYB103K25	CN	7006 CONNECTOR	9604S-19C			
C	9716-9718,9720,9722		CKSSYB104K16	CN	7009 CONNECTOR	CKS3368			
C	9721,9725,9727,9728		CKSSYB332K50	CN	7010 CONNECTOR	9604S-15C			
C	9724,9749,9750,9755		CKSSYB104K16	CN	7011 B TO B 19PIN PLUG	AKM7105			
C	9729,9736,9753,9760		CKSSYB103K25	JH	7001,7003,7004 PCB BINDER	AEF7008			
C	9733-9735,9737,9742		CCSSCH100D50	JP	7001 HOUSING	ADX7747			
C	9738-9740		CCSSCH150J50	RESISTORS					
C	9746,9752,9769,9782		CCSSCH100D50	R	7108	RS1/8SQ105J			
C	9747,9748,9772		CEVW101M16	R	7139,7140	RS1/4SA150J			
C	9751,9777		CCSSCH330J50	R	7145-7148	RS1/4SA0R0J			
C	9756,9759,9767,9775		CCSSCH331J50	Other Resistors					
C	9757,9762-9764,9768		CKSSYB104K16	CAPACITORS					
C	9758,9765,9784,9787		CCSSCH470J50	C	7002-7005,7134	CCSRCH100D50			
C	9766,9771,9774,9780		CKSSYB103K25	C	7006,7012,7080,7082	CCSRCH102J50			
C	9773,9910,9912,9914		DCH1246	C	7007,7011,7015,7081	CKSRYP104K50			
C	9776,9779,9788,9805		CKSSYB104K16	C	7013,7016,7022	CKSRYP103K50			
C	9778,9783,9785,9793		CCSSCH331J50	C	7023,7026	CKSRYP153K50			
C	9781,9795,9796,9810		CCSSCH101J50	C	7083,7114	CKSRYP104K50			
C	9786,9790,9792,9794		CKSSYB103K25	C	7101,7143	CCSRCH101J50			
C	9797,9800,9813,9815		CCSSCH331J50	C	7108	CEAK470M25			
C	9798		CCSSCH220J50	C	7112	CEAK221M16			
C	9799		CKSRYP104K50	C	7113	CCSRCH331J50			
C	9801-9803		CCSSCH100D50	C	7135	CCSRCH102J50			
C	9804,9814,9818,9908		CKSSYB103K25	G					
C	9811,9812,9816,9817		CKSSYB104K16	COMPONENT ASSY					
C	9819,9920		CCSSCH470J50						
C	9820		CCSSCH221J50						
C	9821,9925,9928		CKSSYB104K16						
C	9822,9924		CCSSCH101J50						
C	9902,9926,9929		CCSSCH331J50						
C	9916		DCH1246						
C	9918,9919		CKSSYB103K25						
							IC	8301	NJW1327FU1
							IC	8401	NJM2505AF
				IC	8501	PDC162A			
				IC	8601	HIN202EIBNZ			
				Q	8301,8604	2SA1576A			
				Q	8302,8501,8603	2SC4081			
				Q	8303,8605	DTC114EUA			
				Q	8401	2SC5712			
				Q	8402	2SA2070			
				D	8301,8302,8601,8605	1SS355			

Mark No. Description **Part No.**

D 8401 DAN217U
D 8404,8408 DZ2J039M0

MISCELLANEOUS

L 8501 CHIP COIL LCYA330J2520
JA 8301 6P PIN JACK NI AKB7224
JA 8304 3P PIN JACK NI AKB7227
JA 8601 9P D-SUB SOCKET AKP7256
X 8501 CRYSTAL RESONATOR ASS7080

CN8301 B TO B CONNECTOR AKM7221
CN8303 20P PLUG AKM7171
CN8401 PLUG(2P) KM200NA2L
JP 8402 CONNECTOR ASS'Y PF04PG-S10

RESISTORS

R 8301-8306 RS1/10SR75R0F
R 8310,8312,8314 RS1/10SR68R0F
R 8417 RS1/8SQ105J
R 8418 RS1/8SQ471J
Other Resistors RS1/10SR###J

CAPACITORS

C 8301,8302,8383,8417 CEAK101M16
C 8303,8311,8312,8319 CKSRYB103K50
C 8304,8308,8310,8314 CKSRYB104K50
C 8305-8307,8313,8315 DCH1263
C 8309,8317,8322,8340 VCG1072

C 8316,8318,8321,8323 CKSRYB104K50
C 8320,8330,8331,8338 CKSRYB103K50
C 8324,8326,8341-8343 DCH1263
C 8325,8327,8328,8336 CKSRYB104K50
C 8333,8334,8389,8501 CCSRCH102J50

C 8335,8376,8377,8379 CCSRCH100D50
C 8337,8344,8347-8349 CKSRYB104K50
C 8339,8360,8402,8513 CKSRYB103K50
C 8345,8346,8404,8405 DCH1263
C 8354,8355,8381,8387 CKSRYB105K16

C 8358,8359 CCSRCH220J50
C 8378 CCSRCH471J50
C 8384,8385,8388 CKSRYB473K50
C 8386 CKSRYB562K50
C 8390 CKSRYB105K16

C 8395,8401,8522,8523 CKSRYB104K50
C 8406,8407,8503,8509 CCSRCH101J50
C 8409,8414 DCH1263
C 8418,8520,8521,8613 CEAK101M16
C 8419,8420 CEAK221M16

C 8421,8422,8610,8618 CCSRCH331J50
C 8504,8505 CCSRCH5R0C50
C 8506,8508 CCSRCH240J50
C 8507,8510 CCSRCH122J50
C 8511,8512 CCSRCH470J50

C 8515,8601 CKSRYB103K50
C 8602,8604-8606 CKSRYB104K50
C 8611,8612,8617 CCSRCH100D50
C 8614 CCSRCH101J50

Mark No. Description **Part No.**

COMPOSITE ASSY

SEMICONDUCTORS

Q 3601,3604,3608 2SA1576A
Q 3602,3603,3607 HN1C01FU

MISCELLANEOUS

JA 3601-3603 2P PIN JACK AKB7229
JA 3605 1P PIN JACK AKB7231
CN 3601 20P SOCKET AKP7249

RESISTORS

R 3606,3609,3627 RS1/10SR68R0F
R 3629-3632 RS1/10SR75R0F
Other Resistors RS1/10SR###J

CAPACITORS

C 3602,3603,3605,3606 CKSRYB104K50
C 3607,3619,3620 CCSRCH181J50
C 3612,3613 CKSRYB104K50
C 3614,3617 CCSRCH331J50
C 3615,3616 CKSRYB103K50

C 3621-3624 CEAK101M16

MIC HP ASSY

SEMICONDUCTORS

IC 3471 NJM4565MD
Q 3451 DTC124EUA
Q 3452-3455 2SD2704K
D 3473-3475 DZ2J051M0

MISCELLANEOUS

JA 3471 JACK VKB1243
JA 3472 JACK AKB7219
JA 3476 HEADPHONE JACK XKB3066
KN 3471,3472 EARTH TERMINAL AKF7002
CN 3472 CONNECTOR 9604S-15C

RESISTORS

R 3456,3459 RS1/4SA0R0J
R 3495 RS1/10SR75R0F
R 3498,3499 RS1/8SQ100J
Other Resistors RS1/10SR###J

CAPACITORS

C 3451,3452 CKSRYB822K50
C 3457,3475,3479,3494 CCSRCH101J50
C 3460 CCG1236
C 3473 CCSRCH471J50
C 3476,3477 CCSRCH330J50

C 3478 CEAK100M50
C 3480 DCH1263
C 3483,3484 CEAK101M16
C 3485 CKSRYB105K16
C 3486,3496 CKSRYB103K50

C 3488 CKSRYB223K50
C 3490 CCSRCH331J50

Mark No. Description **Part No.**

J DISPLAY ASSY

SEMICONDUCTORS

△ IC 6002	NJM2878F3-33
IC 6003	PE5615A
NSP IC 6111	AYW7395
Q 6001	2SK2034
Q 6002-6010,6012	DTC124EUA
Q 6011	DTA124EUA
Q 6013	2SA1576A
D 6001	RB751V-40
D 6002,6005	DAN217U
D 6006,6008,6010,6012	SLR343BC4T(JKLM)
D 6014	SLR343BC4T(JKLM)
D 6016	1SS355

MISCELLANEOUS

L 6001 CHIP SOLID INDUCTOR	ATL7002
KN6001 FL HOLDER(FE)	VNF1096
V 6001 FL TUBE DISPLAY	AAV7115
S 6001-6019 SWITCH	ASG7029
X 6002 CERAMIC RESONATOR	VSS1142
CN6001 39P CONNECTOR	VKN2098
CN6003 5P CONNECTOR	VKN1820
JH 6002 4P CABLE HOLDER	51048-0400
JH 6003,6004 3P CABLE HOLDER	51048-0300
JP 6001 HOUSING	ADX7776
JP 6002 JUMPER WIRE	D20PYY0410E
JP 6003,6004 JUMPER WIRE	D20PYY0310E
U 6001 REMOTE RECEIVER UNIT	GP1UE274XKC1

RESISTORS

All Resistors RS1/10SR###J

CAPACITORS

C 6001,6008,6014,6024	CKSRYB103K50
C 6004	CKSRYB474K16
C 6005,6045,6063	CCSRCH471J50
C 6006,6010,6011,6019	CKSRYB104K50
C 6007,6029	CCSRCH101J50
C 6009	CKSRYB472K50
C 6012,6013	CKSRYB473K50
C 6016,6017,6049	CKSRYB105K16
C 6018,6034,6038,6042	CCSRCH331J50
C 6020,6022,6026,6037	CKSRYB104K50
C 6027,6048	CEAK221M16
C 6030,6068,6089-6091	CKSRYB103K50
C 6032,6035,6047,6092	CCSRCH100D50
C 6039,6043,6044,6065	CKSRYB104K50
C 6040	CCSRCH330J50
C 6051,6053	CEAK101M16
C 6054,6056,6057	CCSRCH221J50
C 6055,6058	CCSRCH470J50
C 6059-6061,6064,6067	CCSRCH331J50
C 6066,6069,6088	CEAK470M50
C 6071-6086	CCSRCH471J50
C 6087	CEAK101M35
C 6093	CCSRCK2R0C50
C 6094,6096	CCSRCH100D50
C 6095	CKSRYB103K50

Mark No. Description **Part No.**

C 6097,6098 CCSRCH331J50

K VOL ASSY

MISCELLANEOUS

S 3371 ROTARY ENCODER ASX7053
CN 3371 3P JUMPER CONNECTOR 52147-0310

CAPACITORS

C 3371,3372 CKSRYB103K50

L POWER SW ASSY

SEMICONDUCTORS

Q 3401 DTC143EUA
D 3402 SLR343BC4T(JKLM)

MISCELLANEOUS

S 3401 SWITCH VSG1024
CN 3401 4P JUMPER CONNECTOR 52147-0410

RESISTORS

All Resistors RS1/10SR###J C

CAPACITORS

C 3401 CCSRCH221J50
C 3402 CKSRYB104K50

M ENCODER ASSY

MISCELLANEOUS

S 3501 ROTARY ENCODER ASX7054
CN 3501 3P JUMPER CONNECTOR 52147-0310 D

RESISTORS

All Resistors RS1/10SR###J

CAPACITORS

C 3501,3502 CKSRYB103K50

N IR BUFFER_S ASSY

SEMICONDUCTORS

IC 6801,6821,6841,6861 UPC4570G2-A
IC 6881,6901,6921,7451 UPC4570G2-A
IC 7471 UPC4570G2-A
IC 7491 TC4053BFN
Q 6801,6821,6841,6861 2SD2704K
Q 6881,6901,6921,7451 2SD2704K
Q 7471 2SD2704K

MISCELLANEOUS

KN 6801 WRAPPING TERMINAL CKF1089
CN 6801 24P SOCKET AKP7251
CN 6802,6803 24P PLUG AKM7173 F

Mark No. Description**Part No.****Mark No. Description****Part No.****RESISTORS**

R 6801,6802,6807,6808	RS1/10SR8201F
R 6815	RS1/8SQ204J
R 6816,6835,6836,6855	RS1/8SQ225J
R 6821,6822,6827,6828	RS1/10SR8201F
R 6841,6842,6847,6848	RS1/10SR8201F
R 6856,6875,6876,6895	RS1/8SQ225J
R 6861,6862,6867,6868	RS1/10SR8201F
R 6881,6882,6887,6888	RS1/10SR8201F
R 6896,6915,6916,6935	RS1/8SQ225J
R 6901,6902,6907,6908	RS1/10SR8201F

R 6921,6922,6927,6928	RS1/10SR8201F
R 6936,7465,7466,7485	RS1/8SQ225J
R 7451,7452,7457,7458	RS1/10SR8201F
R 7471,7472,7477,7478	RS1/10SR8201F
R 7486	RS1/8SQ225J
R 7491,7492	RS1/8SQ105J
R 8851-8855,8864,8865	RS1/8SQ0R0J
Other Resistors	RS1/10SR###J

CAPACITORS

C 6801,6802,6821,6822	CFHXSQ103J16
C 6807,6827,6847,6867	CEAK220M50
C 6814,6834,6854,6874	CEAK470M25
C 6841,6842,6861,6862	CFHXSQ103J16
C 6881,6882,6901,6902	CFHXSQ103J16

C 6887,6907,6927,7457	CEAK220M50
C 6894,6914,6934,7464	CEAK470M25
C 6921,6922,7451,7452	CFHXSQ103J16
C 7471,7472,7494,7497	CFHXSQ103J16
C 7477	CEAK220M50

C 7484	CEAK470M25
C 7495	CCSRCH100D50

**BUFFER GND ASSY****MISCELLANEOUS**

KN 6961 SCREW PLATE	VNE1948
KN 6962 SCREW PLATE(MTL)	ANG7591

**IR INTERFACE_S ASSY****MISCELLANEOUS**

CN 3801,3802 24P SOCKET	AKP7251
CN 3810,3820,3830,3840 5P SOCKET	KP200IB5L
CN 3850,3860,3870,3880 5P SOCKET	KP200IB5L
CN 3890 5P SOCKET	KP200IB5L

**D-AMP_S ASSY (SC-75)****SEMICONDUCTORS**

IC 4001	BU7262SFVM
IC 4004	TC74VHC08FK
IC 4005	TA76L431FB
IC 4007	BU4094BCFV
IC 4008	NJM78M05DL1A



IC 4009	NJM79M05DL1A
IC 4101,4201,4301,4401	IRS2092SPBF
IC 4102,4203,4302,4403	NJM2830U1-12
IC 4204,4404,4604,4704	NJM12904V
IC 4501,4601,4701,4801	IRS2092SPBF



IC 4502,4603,4703,4803	NJM2830U1-12
IC 4804	NJM12904V
IC 4901	IRS2092SPBF
IC 4902	NJM2830U1-12
IC 4905	TC7SET08FUS1

Q 4000

DTC124EUA
2SA1576A
DTC115EUA
DTA124EUA
DTC114TUA

Q 4012,4013,4035

HN1A01FU
HN1C01FU
2SC4081
DTA124EUA
DTC114TUA

Q 4024

2SC3906K
2SC2412K
2SC4081
IRF6775MPBF
2SC4081



Q 4106,4107,4111,4113	2SA1576A
Q 4109,4209,4309,4409	2SD2704K
Q 4110,4210,4310,4410	2SA1514K
Q 4114,4314,4514	HN1K02FU
Q 4203-4205,4208	2SC4081



Q 4206,4207,4211,4213	2SA1576A
Q 4301,4302,4401,4402	IRF6775MPBF
Q 4303-4305,4308	2SC4081
Q 4306,4307,4311,4313	2SA1576A
Q 4312,4512,4712,4714	2SC2412K

Q 4403-4405,4408,4414	2SC4081
Q 4406,4407,4411,4413	2SA1576A
Q 4415,4503-4505,4508	2SC4081
Q 4501,4502,4601,4602	IRF6775MPBF
Q 4506,4507,4511,4513	2SA1576A

Q 4509,4609,4709,4809	2SD2704K
Q 4510,4610,4710,4810	2SA1514K
Q 4603-4605,4608,4612	2SC4081
Q 4606,4607,4611,4613	2SA1576A
Q 4614,4703-4705,4708	2SC4081



Q 4701,4702,4801,4802	IRF6775MPBF
Q 4706,4707,4711,4713	2SA1576A
Q 4715,4912,5012,5013	2SC2412K
Q 4803-4805,4808,4812	2SC4081
Q 4806,4807,4811,4813	2SA1576A



Q 4814,4903-4905,4908	2SC4081
Q 4901,4902	IRF6775MPBF
Q 4906,4907,4911,4913	2SA1576A
Q 4909	2SD2704K
Q 4910	2SA1514K

Q 5014,5017-5022

2SC4081	
2SC2412K	
D 4005,4016,4022,4023	1SS355
D 4011,4012	DAN202U
D 4013,4014,4018,4019	DZ2J240M0

Mark	No.	Description	Part No.	Mark	No.	Description	Part No.
D	4015,4020		DZ2J270M0	R	4138,4238,4338,4438		RS1/8SQ4R7J
D	4017,4021		DZ2J180M0	R	4139,4239,4339,4439		RS1/8SQ100J
D	4108,4109,4208,4209		RF101L2S	R	4142,4143,4242,4243		ACN7189
D	4117,4217,4317,4417		RF071M2S	R	4145,4245,4345,4445		RS1/10SR4701F
D	4118,4218,4318,4418		CMH07	R	4148,4248,4348,4448		RS1/10SR3901F
D	4119,4219,4319,4419		1SS355	R	4150,4250,4350,4450		RS1/10SR2200F
D	4308,4309,4408,4409		RF101L2S	R	4152,4157,4252,4257		RS1/10SR6802F
D	4508,4509,4608,4609		RF101L2S	R	4154,4254,4354,4454		ACN7186
D	4517,4617,4717,4817		RF071M2S	R	4155,4168,4255,4268		RS1/10SR4702F
D	4518,4618,4718,4818		CMH07	R	4156,4256,4356,4456		RS1/10SR8201F
D	4519,4619,4719,4819		1SS355	R	4165,4179,4265,4279		RS1/8SQ124J
D	4708,4709,4808,4809		RF101L2S	R	4166,4266,4366,4466		RS1/10SR1002F
D	4908,4909		RF101L2S	R	4169,4269,4369,4469		RS1/10SR3902F
D	4917,5000		RF071M2S	R	4173,4373,4573,4773		RS1/4SA390J
D	4918		CMH07	R	4174,4374,4574,4774		RS1/4SA470J
D	4919		1SS355	R	4175,4375,4575,4791		RS1/4SA100J
MISCELLANEOUS				R	4176,4276,4376,4476		RS1/8SQ102J
L	4100,4200,4300,4400 OTHER COIL	ATH7090		R	4181,4281,4381,4481		NTCG104KF104FB
L	4500,4600,4700,4800 OTHER COIL	ATH7090		R	4186,4195-4198,4286		RS1/8SQR47J
L	4900 OTHER COIL	ATH7090		R	4193,4293,4393,4493		RS1/8SQ1R0J
JA	4101 SPEAKER TERMINAL 6-P	AKE7107		R	4220,4267,4319,4320		RS1/10SR1001F
JA	4301,4501 SPEAKER TERMINAL 4-P	AKE7109		R	4240,4241,4337,4340		ACN7165
JA	4901,5101 SPEAKER TERMINAL 4-P	AKE7109		R	4287,4288,4307,4387		ACN7180
KN	4000 WRAPPING TERMINAL	CKF1089		R	4295-4298,4386		RS1/8SQR47J
KN	4100,4200,4300,4400 SCREW PLATE	VNE1948		R	4301,4363,4401,4463		RS1/10SR2701F
KN	4500,4900 SCREW PLATE	VNE1948		R	4303,4362,4403,4462		RS1/4SA103J
KN	4502,4901 EARTH TERMINAL	AKF7002		R	4311-4314,4411-4414		RS1/4SA2R2J
RY	4100,4300,4500,4700 RELAY	XSR3015		R	4316,4378,4416,4478		ACN7198
RY	4900,5000 RELAY	XSR3015		R	4322,4323,4422,4423		ACN7196
CN	4000 CONNECTOR	9604S-19C		R	4330,4334,4430,4434		RS1/8SQ103J
CN	4002 PLUG(2P)	KM200NA2		R	4331,4335,4431,4435		RS1/8SQ752J
CN	4003 PLUG(4P)	KM200NA4		R	4332,4349,4432,4449		RS1/8SQ822J
CN	4004 PLUG(7P)	KM200NA7		R	4333,4377,4433,4477		ACN7197
CN	4100,4200,4300,4400 5P PLUG	KM200IB5		R	4341,4437,4440,4441		ACN7165
CN	4500,4600,4700,4800 5P PLUG	KM200IB5		R	4342,4343,4442,4443		ACN7189
CN	4900 5P PLUG	KM200IB5		R	4352,4357,4452,4457		RS1/10SR6802F
RESISTORS				R	4355,4368,4455,4468		RS1/10SR4702F
R	4042	RS1/8SQ0R0J		R	4365,4379,4465,4479		RS1/8SQ124J
R	4057	RS1/8SQ471J		R	4367,4419,4420,4467		RS1/10SR1001F
R	4060	RS1/10SR5602F		R	4388,4407,4487,4488		ACN7180
R	4061	RS1/10SR3302F		R	4395-4398,4486		RS1/8SQR47J
R	4101,4163,4201,4263	RS1/10SR2701F		R	4495-4498,4586		RS1/8SQR47J
R	4103,4162,4203,4262	RS1/4SA103J		R	4501,4563,4601,4663		RS1/10SR2701F
R	4107,4187,4188,4207	ACN7180		R	4503,4562,4603,4662		RS1/4SA103J
R	4111-4114,4211-4214	RS1/4SA2R2J		R	4507,4587,4588,4607		ACN7180
R	4115,4215,4315,4415	ACN7192		R	4511-4514,4611-4614		RS1/4SA2R2J
R	4116,4178,4216,4278	ACN7198		R	4515,4615,4715,4815		ACN7192
R	4119,4120,4167,4219	RS1/10SR1001F		R	4516,4578,4616,4678		ACN7198
R	4122,4123,4222,4223	ACN7196		R	4519,4520,4567,4619		RS1/10SR1001F
R	4127,4227,4327,4427	RS1/4SA104J		R	4522,4523,4622,4623		ACN7196
R	4129,4229,4329,4429	RS1/8SQ182J		R	4527,4627,4727,4827		RS1/4SA104J
R	4130,4134,4230,4234	RS1/8SQ103J		R	4529,4629,4729,4829		RS1/8SQ182J
R	4131,4135,4231,4235	RS1/8SQ752J		R	4530,4534,4630,4634		RS1/8SQ103J
R	4132,4149,4232,4249	RS1/8SQ822J		R	4531,4535,4631,4635		RS1/8SQ752J
R	4133,4177,4233,4277	ACN7197		R	4532,4549,4632,4649		RS1/8SQ822J
R	4136,4236,4336,4436	RS1/8SQ242J		R	4533,4577,4633,4677		ACN7197
R	4137,4140,4141,4237	ACN7165		R	4536,4636,4736,4836		RS1/8SQ242J
				R	4537,4540,4541,4637		ACN7165
				R	4538,4638,4738,4838		RS1/8SQ4R7J
				R	4539,4639,4739,4839		RS1/8SQ100J

Mark	No.	Description	Part No.	Mark	No.	Description	Part No.
	R	4542,4543,4642,4643	ACN7189	R	4954		ACN7186
	R	4545,4645,4745,4845	RS1/10SR4701F	R	4955,4968		RS1/10SR4702F
	R	4548,4648,4748,4848	RS1/10SR3901F	R	4956		RS1/10SR8201F
A	R	4550,4650,4750,4850	RS1/10SR2200F	R	4965,4979		RS1/8SQ124J
	R	4552,4557,4652,4657	RS1/10SR6802F	R	4966,5001		RS1/10SR1002F
	R	4554,4654,4754,4854	ACN7186	R	4969		RS1/10SR3902F
	R	4555,4568,4655,4668	RS1/10SR4702F	R	4973,5173		RS1/4SA390J
	R	4556,4656,4756,4856	RS1/10SR8201F	R	4974,5174		RS1/4SA470J
	R	4565,4579,4665,4679	RS1/8SQ124J	R	4975,5095,5175		RS1/4SA100J
	R	4566,4666,4766,4866	RS1/10SR1002F	R	4976		RS1/8SQ102J
	R	4569,4669,4769,4869	RS1/10SR3902F	⚠ R	4981		NTCG104KF104FB
	R	4576,4676,4776,4876	RS1/8SQ102J	R	4993		RS1/8SQ1R0J
⚠	R	4581,4681,4781,4881	NTCG104KF104FB	R	4995-4998		RS1/8SQR47J
	R	4593,4693,4793,4893	RS1/8SQ1R0J	R	5004,5026,5059,5159		ACN7180
B	R	4595-4598,4686	RS1/8SQR47J	R	5006-5009		RS1/4SA105J
	R	4620,4667,4719,4720	RS1/10SR1001F	R	5011,5018		RS1/8SQ563J
	R	4640,4641,4737,4740	ACN7165	R	5012,5016,5020,5021		RS1/8SQ104J
	R	4687,4688,4707,4787	ACN7180	R	5013,5019,5111,5112		RS1/8SQ224J
	R	4695-4698,4786	RS1/8SQR47J	R	5014,5022		RS1/8SQ683J
	R	4701,4763,4801,4863	RS1/10SR2701F	R	5015,5023,5113,5114		RS1/8SQ223J
	R	4703,4762,4803,4862	RS1/4SA103J	R	5017,5025		RS1/8SQ473J
	R	4711-4714,4811-4814	RS1/4SA2R2J	R	5024,5110,5115,5122		RS1/8SQ104J
	R	4716,4778,4816,4878	ACN7198	R	5039,5040,5099,5100		RS1/8SQ222J
	R	4722,4723,4822,4823	ACN7196	R	5062,5063		RS1/4SA222J
C	R	4730,4734,4830,4834	RS1/8SQ103J	R	5066,5068		RS1/8SQ331J
	R	4731,4735,4831,4835	RS1/8SQ752J	R	5101,5102		RS1/4SA331J
	R	4732,4749,4832,4849	RS1/8SQ822J	R	5107		RS1/4SA224J
	R	4733,4777,4833,4877	ACN7197	R	5116,5117,5123,5124		RS1/8SQ224J
	R	4741,4837,4840,4841	ACN7165	R	5118,5119,5126,5127		RS1/8SQ223J
	R	4742,4743,4842,4843	ACN7189	R	5128,5133,5142,5151		RS1/8SQ104J
	R	4752,4757,4852,4857	RS1/10SR6802F	R	5130,5131,5135,5136		RS1/8SQ224J
	R	4755,4768,4855,4868	RS1/10SR4702F	R	5132,5137,5138		RS1/8SQ223J
	R	4765,4779,4865,4879	RS1/8SQ124J	R	5143,5144,5152,5153		RS1/8SQ224J
	R	4767,4819,4820,4867	RS1/10SR1001F	R	5157,5187		RS1/8SQ104J
	R	4788,4807,4887,4888	ACN7180	R	5158,5160,5188,5189		RS1/8SQ224J
D	R	4795-4798,4886	RS1/8SQR47J		Other Resistors		RS1/10SR###J
	R	4895-4898,4986	RS1/8SQR47J				
	R	4901,4963	RS1/10SR2701F				
	R	4903,4962	RS1/4SA103J				
	R	4907,4987,4988,5003	ACN7180				
	R	4911-4914	RS1/4SA2R2J				
	R	4915	ACN7192				
	R	4916,4978	ACN7198				
	R	4919,4920,4967,5000	RS1/10SR1001F				
	R	4922,4923	ACN7196				
	R	4927	RS1/4SA104J				
E	R	4929	RS1/8SQ182J				
	R	4930,4934,5029,5030	RS1/8SQ103J				
	R	4931,4935	RS1/8SQ752J				
	R	4932,4949	RS1/8SQ822J				
	R	4933,4977	ACN7197				
	R	4936	RS1/8SQ242J				
	R	4937,4940,4941	ACN7165				
	R	4938	RS1/8SQ4R7J				
	R	4939,5105	RS1/8SQ100J				
	R	4942,4943	ACN7189				
F	R	4945	RS1/10SR4701F				
	R	4948	RS1/10SR3901F				
	R	4950	RS1/10SR2200F				
	R	4952,4957	RS1/10SR6802F				

CAPACITORS

C	4006,4086,4258,4458	CKSRYB103K50
C	4007,4011,4013	CCSRCH331J50
C	4008,4010,4036,4052	ACH7321
C	4009,4014,4016,4017	CCSRCH101J50
C	4022,4026,4035,4040	CKSRYB104K50
C	4023	CEHVVW100M16
C	4024,4065,4066,4069	CEAK101M16
C	4044	CCSRCH221J50
C	4046-4048,4050,4051	CCSRCH331J50
C	4053	ACH7321
C	4057,4058	ACH7305
C	4063	ACH7311
C	4067,4068,4073,4074	CFHXSQ103J16
C	4070,4166,4167,4266	CEAK101M16
C	4071,4072	CEAK471M16
C	4077	CCSRCH100D50
C	4078,4079,4180,4182	ACE7090
C	4080,4098,4099,4105	CFHXSQ102J50
C	4087,4097	CCSRCH101J50
C	4100,4200,4300,4400	CFTLA104J2A

Mark	No.	Description	Part No.	Mark	No.	Description	Part No.
A	△ Q	4501,4502,4601,4602	IRF6775MPBF	RESISTORS	R	4042	RS1/8SQ0R0J
	Q	4504,4505,4508,4604	2SC4081		R	4057	RS1/8SQ471J
	Q	4507,4511,4513,4606	2SA1576A		R	4060	RS1/10SR5602F
	Q	4509,4609,4709,4809	2SD2704K		R	4061	RS1/10SR3302F
	Q	4510,4610,4710,4810	2SA1514K		R	4101,4163,4201,4263	RS1/10SR2701F
	Q	4605,4608,4704,4705	2SC4081		R	4103,4203,4303,4403	RS1/4SA103J
	Q	4607,4611,4613,4706	2SA1576A		R	4107,4187,4188,4207	ACN7180
	Q	4612,4614,4712,4714	2SC2412K		R	4111-4114,4211-4214	RS1/4SA2R2J
	△ Q	4701,4702,4801,4802	IRF6775MPBF		R	4115,4215,4315,4415	ACN7192
	Q	4707,4711,4713,4806	2SA1576A		R	4116,4178,4216,4278	ACN7198
B	Q	4708,4804,4805,4808	2SC4081	R	4120,4167,4220,4267	RS1/10SR1001F	
	Q	4715,4812,4814,4912	2SC2412K	R	4122,4123,4222,4223	ACN7196	
	Q	4807,4811,4813,4906	2SA1576A	R	4125,4126,4225,4226	ACN7094	
	△ Q	4901,4902	IRF6775MPBF	R	4127,4227,4327,4427	RS1/4SA104J	
	Q	4904,4905,4908,5014	2SC4081	R	4129,4229,4329,4429	RS1/8SQ182J	
	Q	4907,4911,4913	2SA1576A	R	4130,4134,4230,4234	RS1/8SQ103J	
	Q	4909	2SD2704K	R	4131,4135,4231,4235	RS1/8SQ752J	
	Q	4910	2SA1514K	R	4132,4232,4332,4432	RS1/8SQ822J	
	Q	5012,5013,5015-5022	2SC2412K	R	4133,4177,4233,4277	ACN7197	
	D	4005,4016,4022,4023	1SS355	R	4136,4236,4336,4436	RS1/8SQ242J	
C	D	4011,4012	DAN202U	R	4137,4141,4237,4241	ACN7165	
	D	4013,4014,4018,4019	DZ2J240MO	R	4138,4238,4338,4438	RS1/8SQ4R7J	
	D	4015,4020	DZ2J270MO	R	4139,4239,4339,4439	RS1/8SQ100J	
	D	4017,4021	DZ2J180MO	R	4140,4174,4240,4340	RS1/4SA470J	
	D	4101,4119,4201,4219	1SS355	R	4142,4143,4242,4243	ACN7189	
	D	4108,4109,4208,4209	RF101L2S	R	4145,4245,4345,4445	RS1/10SR4701F	
	D	4117,4217,4317,4417	RF071M2S	R	4148,4248,4348,4448	RS1/10SR3901F	
	D	4118,4218,4318,4418	CMH07	R	4149,4249,4349,4449	RS1/8SQ153J	
	D	4301,4319,4401,4419	1SS355	R	4150,4250,4350,4450	RS1/10SR2200F	
	D	4308,4309,4408,4409	RF101L2S	R	4152,4157,4252,4257	RS1/10SR6802F	
D	D	4501,4519,4601,4619	1SS355	R	4154,4254,4354,4454	ACN7186	
	D	4508,4509,4608,4609	RF101L2S	R	4155,4168,4255,4268	RS1/10SR4702F	
	D	4517,4617,4717,4817	RF071M2S	R	4156,4256,4356,4456	RS1/10SR8201F	
	D	4518,4618,4718,4818	CMH07	R	4162,4262,4362,4462	RS1/4SA123J	
	D	4701,4719,4801,4819	1SS355	R	4165,4179,4265,4279	RS1/8SQ124J	
	D	4708,4709,4808,4809	RF101L2S	R	4166,4266,4366,4466	RS1/10SR1002F	
	D	4901,4919	1SS355	R	4169,4269,4369,4469	RS1/10SR3902F	
	D	4908,4909	RF101L2S	R	4173,4373,4573,4773	RS1/4SA390J	
	D	4917,5000	RF071M2S	R	4175,4375,4575,4791	RS1/4SA100J	
	D	4918	CMH07	R	4176,4276,4376,4476	RS1/8SQ102J	
MISCELLANEOUS				△	R	4181,4281,4381,4481	NTCG104KF104FB
L	4100,4200,4300,4400 OTHER COIL	ATH7090	R		4186,4195-4198,4286	RS1/8SQR47J	
L	4500,4600,4700,4800 OTHER COIL	ATH7090	R		4193,4293,4393,4493	RS1/8SQ1R0J	
L	4900 OTHER COIL	ATH7090	R		4287,4288,4307,4387	ACN7180	
JA	4101 SPEAKER TERMINAL 6-P	AKE7107	R		4295-4298,4386	RS1/8SQR47J	
JA	4301,4501 SPEAKER TERMINAL 4-P	AKE7109	R		4301,4363,4401,4463	RS1/10SR2701F	
JA	4901,5101 SPEAKER TERMINAL 4-P	AKE7109	R		4311-4314,4411-4414	RS1/4SA2R2J	
KN	4000 WRAPPING TERMINAL	CKF1089	R		4316,4378,4416,4478	ACN7198	
KN	4100,4200,4300,4400 SCREW PLATE	VNE1948	R		4320,4367,4420,4467	RS1/10SR1001F	
KN	4500,4900 SCREW PLATE	VNE1948	R		4322,4323,4422,4423	ACN7196	
KN	4502,4901 EARTH TERMINAL	AKF7002	R	4325,4326,4425,4426	ACN7094		
E	RY	4100,4300,4500,4700 RELAY	XSR3015	R	4330,4334,4430,4434	RS1/8SQ103J	
	RY	4900,5000 RELAY	XSR3015	R	4331,4335,4431,4435	RS1/8SQ752J	
	CN	4000 CONNECTOR	9604S-19C	R	4333,4377,4433,4477	ACN7197	
	CN	4002 PLUG(2P)	KM200NA2	R	4337,4341,4437,4441	ACN7165	
	CN	4003 PLUG(4P)	KM200NA4				
	CN	4004 PLUG(7P)	KM200NA7				
	CN	4100,4200,4300,4400 5P PLUG	KM200IB5				
	CN	4500,4600,4700,4800 5P PLUG	KM200IB5				
	CN	4900 5P PLUG	KM200IB5				
	F						

Mark	No.	Description	Part No.	Mark	No.	Description	Part No.
	R	4342,4343,4442,4443	ACN7189		R	4765,4779,4865,4879	RS1/8SQ124J
	R	4352,4357,4452,4457	RS1/10SR6802F		R	4788,4807,4887,4888	ACN7180
	R	4355,4368,4455,4468	RS1/10SR4702F		R	4795-4798,4886	RS1/8SQR47J
	R	4365,4379,4465,4479	RS1/8SQ124J		R	4895-4898,4986	RS1/8SQR47J
	R	4374,4440,4540,4574	RS1/4SA470J		R	4901,4963	RS1/10SR2701F
	R	4388,4407,4487,4488	ACN7180		R	4903	RS1/4SA103J
	R	4395-4398,4486	RS1/8SQR47J		R	4907,4987,4988	ACN7180
	R	4495-4498,4586	RS1/8SQR47J		R	4911-4914	RS1/4SA2R2J
	R	4501,4563,4601,4663	RS1/10SR2701F		R	4915	ACN7192
	R	4503,4603,4703,4803	RS1/4SA103J		R	4916,4978	ACN7198
	R	4507,4587,4588,4607	ACN7180		R	4920,4967,5000	RS1/10SR1001F
	R	4511-4514,4611-4614	RS1/4SA2R2J		R	4922,4923	ACN7196
	R	4515,4615,4715,4815	ACN7192		R	4925,4926	ACN7094
	R	4516,4578,4616,4678	ACN7198		R	4927	RS1/4SA104J
	R	4520,4567,4620,4667	RS1/10SR1001F		R	4929	RS1/8SQ182J
	R	4522,4523,4622,4623	ACN7196		R	4930,4934,5029,5030	RS1/8SQ103J
	R	4525,4526,4625,4626	ACN7094		R	4931,4935	RS1/8SQ752J
	R	4527,4627,4727,4827	RS1/4SA104J		R	4932	RS1/8SQ822J
	R	4529,4629,4729,4829	RS1/8SQ182J		R	4933,4977	ACN7197
	R	4530,4534,4630,4634	RS1/8SQ103J		R	4936	RS1/8SQ242J
	R	4531,4535,4631,4635	RS1/8SQ752J		R	4937,4941	ACN7165
	R	4532,4632,4732,4832	RS1/8SQ822J		R	4938	RS1/8SQ4R7J
	R	4533,4577,4633,4677	ACN7197		R	4939,5105	RS1/8SQ100J
	R	4536,4636,4736,4836	RS1/8SQ242J		R	4940,4974,5174	RS1/4SA470J
	R	4537,4541,4637,4641	ACN7165		R	4942,4943	ACN7189
	R	4538,4638,4738,4838	RS1/8SQ4R7J		R	4945	RS1/10SR4701F
	R	4539,4639,4739,4839	RS1/8SQ100J		R	4948	RS1/10SR3901F
	R	4542,4543,4642,4643	ACN7189		R	4949	RS1/8SQ153J
	R	4545,4645,4745,4845	RS1/10SR4701F		R	4950	RS1/10SR2200F
	R	4548,4648,4748,4848	RS1/10SR3901F		R	4952,4957	RS1/10SR6802F
	R	4549,4649,4749,4849	RS1/8SQ153J		R	4954	ACN7186
	R	4550,4650,4750,4850	RS1/10SR2200F		R	4955,4968	RS1/10SR4702F
	R	4552,4557,4652,4657	RS1/10SR6802F		R	4956	RS1/10SR8201F
	R	4554,4654,4754,4854	ACN7186		R	4962	RS1/4SA123J
	R	4555,4568,4655,4668	RS1/10SR4702F		R	4965,4979	RS1/8SQ124J
	R	4556,4656,4756,4856	RS1/10SR8201F		R	4966,5001	RS1/10SR1002F
	R	4562,4662,4762,4862	RS1/4SA123J		R	4969	RS1/10SR3902F
	R	4565,4579,4665,4679	RS1/8SQ124J		R	4973,5173	RS1/4SA390J
	R	4566,4666,4766,4866	RS1/10SR1002F		R	4975,5095,5175	RS1/4SA100J
	R	4569,4669,4769,4869	RS1/10SR3902F		R	4976	RS1/8SQ102J
	R	4576,4676,4776,4876	RS1/8SQ102J	⚠	R	4981	NTCG104KF104FB
⚠	R	4581,4681,4781,4881	NTCG104KF104FB		R	4993	RS1/8SQ1R0J
	R	4593,4693,4793,4893	RS1/8SQ1R0J		R	4995-4998	RS1/8SQR47J
	R	4595-4598,4686	RS1/8SQR47J		R	5003-5005,5026,5059	ACN7180
	R	4640,4740,4774,4840	RS1/4SA470J		R	5006-5010,5096	RS1/4SA105J
	R	4687,4688,4707,4787	ACN7180		R	5011,5018	RS1/8SQ563J
	R	4695-4698,4786	RS1/8SQR47J		R	5012,5016,5020,5021	RS1/8SQ104J
	R	4701,4763,4801,4863	RS1/10SR2701F		R	5013,5019,5111,5112	RS1/8SQ224J
	R	4711-4714,4811-4814	RS1/4SA2R2J		R	5014,5022	RS1/8SQ683J
	R	4716,4778,4816,4878	ACN7198		R	5015,5023	RS1/8SQ223J
	R	4720,4767,4820,4867	RS1/10SR1001F		R	5017,5025,5113,5114	RS1/8SQ473J
	R	4722,4723,4822,4823	ACN7196		R	5024,5110,5115,5122	RS1/8SQ104J
	R	4725,4726,4825,4826	ACN7094		R	5039,5040,5099,5100	RS1/8SQ222J
	R	4730,4734,4830,4834	RS1/8SQ103J		R	5062,5063	RS1/4SA222J
	R	4731,4735,4831,4835	RS1/8SQ752J		R	5066,5068	RS1/8SQ331J
	R	4733,4777,4833,4877	ACN7197		R	5101,5102	RS1/4SA331J
	R	4737,4741,4837,4841	ACN7165		R	5107	RS1/4SA224J
	R	4742,4743,4842,4843	ACN7189		R	5116,5117,5123,5124	RS1/8SQ224J
	R	4752,4757,4852,4857	RS1/10SR6802F		R	5118,5119,5126,5127	RS1/8SQ473J
	R	4755,4768,4855,4868	RS1/10SR4702F		R	5128,5133,5142,5151	RS1/8SQ104J

Mark No. Description

Part No.

Mark No. Description

Part No.

A

R 5130,5131,5135,5136
R 5132,5137,5138
R 5143,5144,5152,5153
R 5157,5187
R 5158,5160,5188,5189

RS1/8SQ224J
RS1/8SQ473J
RS1/8SQ224J
RS1/8SQ104J
RS1/8SQ224J

C 4500,4600,4700,4800
C 4501,4601,4701,4801
C 4508,4509,4608,4609
C 4512,4612,4712,4812
C 4513,4613,4713,4813

CFTLA104J2A
CFTLA474J2A
CEAK471M16-P35
CCG1255
CKSRBY104K50

R 5159
Other Resistors

ACN7180
RS1/10SR###J

C 4519,4619,4719,4819
C 4523,4605,4620,4623
C 4525,4625,4725,4825
C 4526,4626,4726,4826
C 4534,4536,4634,4636

ACG7110
CFHXSQ102J50
RS1/8SQ105J
RS1/8SQ242J
ACH7376

CAPACITORS

B

C 4006,4258,4458,4658
C 4007,4011,4013,4046
C 4008,4010,4036,4052
C 4009,4014,4016,4017
C 4022

CKSRBY103K50
CCSRCH331J50
ACH7321
CCSRCH101J50
CFHXSQ102J16

C 4549,4550,4649,4650
C 4556,4656,4756,4856
C 4559,4560,4659,4660
C 4561,4575,4661,4675
C 4611,4621,4622,4711

ACH7359
CKSRBY473K50
ACG7107
ACG7105
CFHXSQ103J16

C 4023,5184,5185
C 4024,4065,4066,4069
C 4026,4067,4068,4073
C 4040
C 4044,4048

CEHVV100M16
CEAK101M16
CFHXSQ103J16
CCH1814
CCSRCH221J50

C 4667,4766,4767,4866
C 4680,4682,4780,4782
C 4705,4720,4723,4805
C 4708,4709,4808,4809
C 4721,4722,4811,4821

CEAK101M16
ACE7090
CFHXSQ102J50
CEAK471M16-P35
CFHXSQ103J16

C 4047,4050,4051
C 4053
C 4057,4058
C 4070,4166,4167,4266
C 4071,4072

CCSRCH331J50
ACH7321
ACH7305
CEAK101M16
CEAK471M16

C 4734,4736,4834,4836
C 4749,4750,4849,4850
C 4758,4858
C 4759,4760,4859,4860
C 4761,4775,4861,4875

ACH7376
ACH7359
CKSRBY103K50
ACG7107
ACG7105

C

C 4074,4111,4121,4122
C 4077
C 4078,4079,4180,4182
C 4084
C 4097

CFHXSQ103J16
CCSRCH470J50
ACE7090
ACE7082
CCSRCH101J50

C 4820,4823,4905,4920
C 4822,4911,4921,4922
C 4867,4966,4967
C 4880,4882,4980,4982
C 4900

CFHXSQ102J50
CFHXSQ103J16
CEAK101M16
ACE7090
CFTLA104J2A

C 4098,4099,4105,4120
C 4100,4200,4300,4400
C 4101,4201,4301,4401
C 4108,4109,4208,4209
C 4110,4310,4510,4710

CFHXSQ102J50
CFTLA104J2A
CFTLA474J2A
CEAK471M16-P35
CEAK100M50

C 4901
C 4908,4909
C 4910,5110
C 4912
C 4913

CFTLA474J2A
CEAK471M16-P35
CEAK100M50
CCG1255
CKSRBY104K50

D

C 4112,4212,4312,4412
C 4113,4213,4313,4413
C 4119,4219,4319,4419
C 4123,4205,4220,4223
C 4125,4225,4325,4425

CCG1255
CKSRBY104K50
ACG7110
CFHXSQ102J50
RS1/8SQ105J

C 4919
C 4923,5000
C 4925
C 4926
C 4934,4936

ACG7110
CFHXSQ102J50
RS1/8SQ105J
RS1/8SQ242J
ACH7376

C 4126,4226,4326,4426
C 4134,4136,4234,4236
C 4149,4150,4249,4250
C 4156,4256,4356,4456
C 4159,4160,4259,4260

RS1/8SQ242J
ACH7376
ACH7359
CKSRBY473K50
ACG7107

C 4949,4950
C 4956
C 4959,4960
C 4961,4975
C 5080,5082,5180,5182

ACH7359
CKSRBY473K50
ACG7107
ACG7105
ACE7090

E

C 4161,4175,4261,4275
C 4211,4221,4222,4311
C 4267,4366,4367,4466
C 4280,4282,4380,4382
C 4305,4320,4323,4405

ACG7105
CFHXSQ103J16
CEAK101M16
ACE7090
CFHXSQ102J50

C 5186

CFHXSQ103J16

C 4308,4309,4408,4409
C 4321,4322,4411,4421
C 4334,4336,4434,4436
C 4349,4350,4449,4450
C 4359,4360,4459,4460

CEAK471M16-P35
CFHXSQ103J16
ACH7376
ACH7359
ACG7107

R PRIMARY ASSY

SEMICONDUCTORS

- ⚠ IC 1
- ⚠ IC 52
- Q 71
- ⚠ D 1
- ⚠ D 2,5

STR2A153
NJM1431AF
2SD2704K
D2SB60A
SARS01LF-F7

F

C 4361,4375,4461,4475
C 4420,4423,4505,4520
C 4422,4511,4521,4522
C 4467,4566,4567,4666
C 4480,4482,4580,4582

ACG7105
CFHXSQ102J50
CFHXSQ103J16
CEAK101M16
ACE7090

Mark	No.	Description	Part No.
△	D 3		SJPL-D2
	D 4		KDZ36B
△	D 50		FMEN-220A
	D 71,72		1SS355
MISCELLANEOUS			
△	L 1	LINE FILTER	ATF7046
	L 51	COIL	ATH7080
△	L 71	LINE FILTER	XTF3004
	H 1,2,71,72	FUSE CLIP	AKR1004
△	JA 71	AC INLET ASSY	ADX7513
	KN1,2	SCREW PLATE	VNE1948
	KN50,52	EARTH TERMINAL	AKF7002
△	RY71	POWER RELAY	ASR7034
△	T 1	POWER TRANSFORMER	ATK7006
△	CN81	CONNECTOR	B2P3-VH
	1	HEAT SINK(AL)	ANH7224
	2	SCREW	BBZ30P080FCC
	JP 51	HOUSING	ADX7812
△	PC 1	PHOTO COUPLER	TLP781(GR)

RESISTORS

	R 1		RS1LMF680J
	R 2		ACN7200
	R 3		RS1LMFR68J
	R 5		RS1/8SQ120J
	R 6		RS1/8SQ471J
△	R 9-11		ACN7173
	R 53		RS1/10SR3001F
	R 54		RS1/10SR7501F
	R 56		RS1/10SR8201F
	R 57		ACN7180
	R 59		RS1/8SQ365J
	R 74		RS1/8SQ105J
	Other Resistors		RS1/10SR###J

CAPACITORS

△	C 1		ACE7071
	C 3		ACH7342
	C 4		ACE7095
	C 5		ACH7385
	C 6		ACG7112
△	C 12,21		VCG1046
	C 52		BCH1044
	C 53,56		CKSRYB104K50
	C 55		CCSRCH331J50
	C 58		ACH7369
	C 61		CCSRCH100D50
△	C 73		XCG3010
	C 74,75		CCSRCH220J50

S A-REG_S ASSY**SEMICONDUCTORS**

△	IC 7501		NJM78M12FA
△	IC 7502		NJM79M12FA
△	IC 7521		NJM78M06FA
△	D 7501-7504		1SR154-400
	D 7506,7507		1SS355

Mark	No.	Description	Part No.
MISCELLANEOUS			
	H 7501-7504	FUSE CLIP	AKR1004
	CN 7501	5P TOP POST	B5B-EH
	CN 7502	L-PLUG(5P)	KM200NA5L
	JH 7501,7502	PCB BINDER	AEF7008

RESISTORS

R 7515	RS3LMF180J
R 7516	RS3LMF220J
Other Resistors	RS1/8SQ###J

CAPACITORS

C 7503	CEAK332M25
C 7504	CFTLA394J50
C 7511	CEAK222M25
C 7515,7516	CEAK221M35
C 7523	CEAK101M35

T IR REG_S ASSY**SEMICONDUCTORS**

△	IC 7241		NJM78M15FA
△	IC 7251		NJM78M12FA
△	IC 7252		NJM79M12FA
△	IC 7271		NJM78M08FA
△	IC 7272		NJM79M08FA
	Q 7203,7204,7207,7221		DTC124EUA
	Q 7205,7206,7224		DTA124EUA
△	Q 7211		2SD2400A
△	Q 7212		2SB1569A
	Q 7222		DTA143EUA
	Q 7223,7225,7226		DTC124EUA
	D 7200,7219		1SS355
	D 7213,7214		DZ2J075M0
	D 7215,7216		1SR154-400
△	D 7241-7244,7251-7254		1SR154-400
△	D 7271-7274		1SR154-400
△	D 7400,7401		LN6SB60-4003

MISCELLANEOUS

H 7201-7204,7241,7242	FUSE CLIP	AKR1004
H 7251-7254	FUSE CLIP	AKR1004
CN 7201	8P TOP POST	B8B-EH
CN 7241	PLUG(2P)	KM200NA2
CN 7251	PLUG(7P)	KM200NA7
CN 7271	PLUG(4P)	KM200NA4
CN 7281	CONNECTOR	CKS3368
CN 7400	PLUG	CKS-556
7400,7401	HEAT SINK	ANH7250
7402,7403	SCREW	IBZ30P080FCC
JH 7251-7254	PCB BINDER	AEF7008
JP 7291	HOUSING	ADX7778

RESISTORS

R 7211,7213	RD1/4MUF102J
R 7245,7259,7273,7274	RS1/4SA105J
R 7255	RS1/8SQ4R7J
R 7256	RS1/8SQ3R3J
R 7258	RS1/4SA824J

Mark	No.	Description	Part No.
	R	7260	RS1/8SQ105J
	R	7272,7403,7404	ACN7180
	R	7275-7278	RS1/8SQ223J
A	R	7400	RS1/4SA913J
	R	7401	RS1/4SA683J
	R	7402	RD1/4MUF100J
	R	7405,7406	RS1/4SA105J
		Other Resistors	RS1/10SR###J

CAPACITORS

C	7203,7204	CCSRCH331J50
C	7213,7214	CEAK221M10
C	7215,7219	CEAK100M50
C	7221,7246	CEAK470M25
B	7240,7250	CFTLA394J50
C	7241	CEAK222M35
C	7251,7252	CEAK222M25
C	7255,7256	CEAK221M35
C	7270	CFTLA474J2A
C	7271,7272	CEAK222M16
C	7275,7276	CEAK221M16
C	7292,7293	CEAK471M16
C	7400,7401	ACH7258
C	7402,7403	CFTLA104J2A

U V-REG_S ASSY**SEMICONDUCTORS**

⚠	IC	7551	NJM78M12FA
	IC	7901	S-80848CNMC-B89
	Q	7161	2SC4081
	Q	7901	2SA1037K
	D	7161,7162,7556,7902	1SS355
⚠	D	7551,7554,7555	1SR154-400
D	⚠	7557-7559	1SR154-400
	D	7560	D3SBA60(B)
	D	7561,7562,7564	DZ2J051M0
	D	7563	PTZ22(B)
	D	7901,7903	DAN202U

MISCELLANEOUS

H	7551-7554 FUSE CLIP	AKR1004
	CN7551 5P TOP POST	B5B-EH
	CN7552,7553 PLUG(7P)	KM200NA7
	CN7554 PLUG(4P)	KM200NA4
	CN7662 B TO B 19PIN JACK	AKN7071
	CN7663 CONNECTOR	9604S-15C
	CN7902,7903 39P CONNECTOR	VKN2097
	7551 SCREW	BBZ30P080FCC
	7552 HEAT SINK	ANH7251
	JH7901,7903,7904 PCB BINDER	AEF7008

RESISTORS

	R	7171	RS1/8SQ0R0J
⚠	R	7552	RD1/4MUF4R7J
⚠	R	7555	RD1/4MUF391J
	R	7558	RS1/8SQ225J
	R	7903,7907	RS1/8SQ105J
		Other Resistors	RS1/10SR###J

Mark	No.	Description	Part No.
		CAPACITORS	
	C	7554	CEAK471M35
	C	7555	CEAK100M50
	C	7557	CEAK102M35
	C	7559,7560	CFTLA104J50
	C	7561	CEANP101M35
	C	7563	CEAK221M35
	C	7566	CEAK101M35
	C	7568,7582,7928	CCSRCH101J50
	C	7569	CKSRYB103K50
	C	7571	CEAK470M50

C	7572	CEAK101M16
C	7573	CEAK472M16
C	7574	CEAK222M16
C	7918,7920,7921,7924	CCSRCH100D50
C	7927	CKSRYB105K16
C	7933,7939	CCSRCH100D50

V VREG CHILD_S ASSY**SEMICONDUCTORS**

⚠	IC	8701	NJM78M05FA
⚠	IC	8702	NJM79M05FA
	D	8702,8703	1SS355

MISCELLANEOUS

JP	8701 HOUSING	ADX7783
----	--------------	---------

CAPACITORS

C	8701,8702	CKSRYB103K50
C	8703,8704	CEAK101M16

W CONNECT_S ASSY**MISCELLANEOUS**

CN	7951 B TO B CONNECTOR	AKM7225
CN	7952 B TO B CONNECTOR	AKM7222
CN	7953 B TO B CONNECTOR	AKN7155
CN	7954 B TO B CONNECTOR	AKN7152

RESISTORS

R	7956,7965	RS1/8SQ105J
	Other Resistors	RS1/10SR###J

CAPACITORS

C	7951,7956	CCSRCH100D50
---	-----------	--------------

X A-DAC BRIDGE ASSY**MISCELLANEOUS**

CN	3791,3792 14P PLUG	AKM7170
CN	3793,3794 B TO B CONNECTOR	AKM7176

RESISTORS

	All Resistors	RS1/10SR###J
--	---------------	--------------

Mark No. Description Part No.

Y D-AUDIO BRIDGE ASSY

MISCELLANEOUS

CN3771,3772 B TO B 23PIN PLUG AKM7107

Z D-DAC BRIDGE ASSY

MISCELLANEOUS

CN3781,3782 B TO B CONNECTOR AKM7176
CN3783,3784 PLUG (30P) BKM1035

CAPACITORS

C 3780 CCSRCH100D50
C 3785 CKSRYB103K50
C 3786 CCSRCH101J50

AA PRE BRIDGE_S ASSY

MISCELLANEOUS

CN6951,6952 24P PLUG AKM7173

AB FAN CONNECT ASSY

MISCELLANEOUS

CN3651,3652 PLUG(3P) KM200NA3
JH 3651 PCB BINDER AEF7008

AC MIC HP GUARD ASSY

MISCELLANEOUS

JH 5921,5924 PCB BINDER AEF7008

AD BIND DM CABLE_S ASSY

MISCELLANEOUS

JH 3551 PCB BINDER AEF7008

AE P WIRE GUARD_S ASSY

MISCELLANEOUS

JH 3560 PCB BINDER AEF7008

AF FFC GUARD_S ASSY

FFC GUARD_S ASSY has no service parts.

Mark No. Description Part No.

AG BINDFAN CABLE_S ASSY

BINDFAN CABLE_S ASSY has no service parts.

AH TRANS VREG STYL_S ASSY

TRANS VREG STYL_S ASSY has no service parts.

AI VREG GUARD ASSY

VREG GUARD ASSY has no service parts.

AJ PANEL GUARD ASSY

PANEL GUARD ASSY has no service parts.

AK IR EDGE GUARD_S ASSY

IR EDGE GUARD_S ASSY has no service parts.