

# Pioneer

## Service Manual



SC-95

ORDER NO.  
**RRV4615**

AV RECEIVER

# SC-95

## SC-LX59-K

## SC-LX59-S

**THIS MANUAL IS APPLICABLE TO THE FOLLOWING MODEL(S) AND TYPE(S).**

Model	Type	Power Requirement	Remarks
SC-95	CUXJ	AC 120 V	
SC-LX59-K	SYXJ8	AC 220 V to 230 V	
SC-LX59-S	SYXJ8	AC 220 V to 230 V	

**THIS SERVICE MANUAL SHOULD BE USED TOGETHER WITH THE FOLLOWING MANUAL(S).**

Model No.	Order No.	Remarks
SC-95, SC-LX59-K, SC-LX59-S	RRVXXXX	SCHEMATIC DIAGRAM, PCB CONNECTION DIAGRAM, PCB PARTS LIST



**PIONEER CORPORATION** 1-1, Shin-ogura, Saiwai-ku, Kawasaki-shi, Kanagawa 212-0031, Japan  
**PIONEER ELECTRONICS (USA) INC.** P.O. Box 1760, Long Beach, CA 90801-1760, U.S.A.  
**PIONEER EUROPE NV** Haven 1087, Keetberglaan 1, 9120 Melsele, Belgium  
**PIONEER ELECTRONICS ASIACENTRE PTE. LTD.** 253 Alexandra Road, #04-01, Singapore 159936

© Onkyo & Pioneer Corporation 2015

K-FZV SEPT. 2015 Printed in Japan

# SAFETY INFORMATION



This service manual is intended for qualified service technicians ; it is not meant for the casual do-it-yourselfer. Qualified technicians have the necessary test equipment and tools, and have been trained to properly and safely repair complex products such as those covered by this manual.

Improperly performed repairs can adversely affect the safety and reliability of the product and may void the warranty. If you are not qualified to perform the repair of this product properly and safely, you should not risk trying to do so and refer the repair to a qualified service technician.



## WARNING

This product contains lead in solder and certain electrical parts contain chemicals which are known to the state of California to cause cancer, birth defects or other reproductive harm.

Health & Safety Code Section 25249.6 - Proposition 65

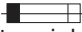

## NOTICE

(FOR CANADIAN MODEL ONLY)

Fuse symbols  (fast operating fuse) and/or  (slow operating fuse) on PCB indicate that replacement parts must be of identical designation.

## REMARQUE

(POUR MODÈLE CANADIEN SEULEMENT)

Les symboles de fusible  (fusible de type rapide) et/ou  (fusible de type lent) sur CCI indiquent que les pièces de remplacement doivent avoir la même désignation.

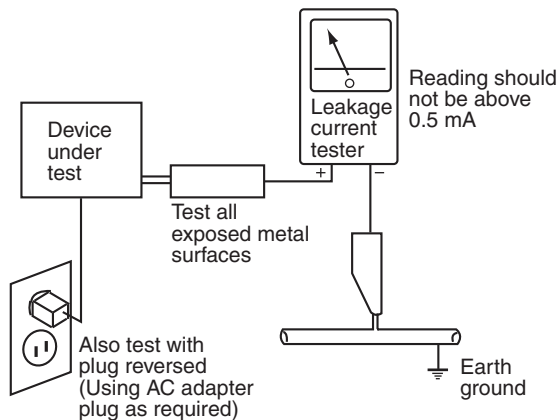
(FOR USA MODEL ONLY)

## 1. SAFETY PRECAUTIONS

The following check should be performed for the continued protection of the customer and service technician.

### LEAKAGE CURRENT CHECK

Measure leakage current to a known earth ground (water pipe, conduit, etc.) by connecting a leakage current tester such as Simpson Model 229-2 or equivalent between the earth ground and all exposed metal parts of the appliance (input/output terminals, screwheads, metal overlays, control shaft, etc.). Plug the AC line cord of the appliance directly into a 120V AC 60 Hz outlet and turn the AC power switch on. Any current measured must not exceed 0.5 mA.




AC Leakage Test

**ANY MEASUREMENTS NOT WITHIN THE LIMITS OUTLINED ABOVE ARE INDICATIVE OF A POTENTIAL SHOCK HAZARD AND MUST BE CORRECTED BEFORE RETURNING THE APPLIANCE TO THE CUSTOMER.**

## 2. PRODUCT SAFETY NOTICE

Many electrical and mechanical parts in the appliance have special safety related characteristics. These are often not evident from visual inspection nor the protection afforded by them necessarily can be obtained by using replacement components rated for voltage, wattage, etc. Replacement parts which have these special safety characteristics are identified in this Service Manual.

Electrical components having such features are identified by marking with a  on the schematics and on the parts list in this Service Manual.

The use of a substitute replacement component which does not have the same safety characteristics as the PIONEER recommended replacement one, shown in the parts list in this Service Manual, may create shock, fire, or other hazards.

Product Safety is continuously under review and new instructions are issued from time to time. For the latest information, always consult the current PIONEER Service Manual. A subscription to, or additional copies of, PIONEER Service Manual may be obtained at a nominal charge from PIONEER.

# CONTENTS

SAFETY INFORMATION.....	2	
1. SERVICE PRECAUTIONS.....	4	
1.1 NOTES ON SOLDERING.....	4	A
1.2 NOTES ON REPLACING.....	4	
1.3 CAUTION.....	4	
1.4 NOTES ON ASSEMBLING.....	5	
2. SPECIFICATIONS.....	6	
2.1 SC-95 SPECIFICATIONS.....	6	
2.2 SC-LX59 SPECIFICATIONS.....	8	
3. BASIC ITEMS FOR SERVICE.....	10	
3.1 CHECK POINTS AFTER SERVICING.....	10	
3.2 PCB LOCATIONS.....	11	
3.3 JIGS LIST.....	13	
4. BLOCK DIAGRAM.....	14	
4.1 OVERALL WIRING DIAGRAM.....	14	B
4.2 BLOCK DIAGRAM FOR AUDIO BLOCK.....	15	
4.3 BLOCK DIAGRAM FOR DIGITAL MAIN VIDEO BLOCK.....	16	
4.4 BLOCK DIAGRAM FOR DIGITAL MAIN AUDIO BLOCK.....	17	
4.5 BLOCK DIAGRAM FOR VIDEO BLOCK.....	18	
4.6 BLOCK DIAGRAM FOR POWER BLOCK (1).....	19	
4.7 BLOCK DIAGRAM FOR POWER BLOCK (2).....	20	
5. DIAGNOSIS.....	21	
5.1 DIAGNOSIS FLOWCHART.....	21	
5.2 CIRCUIT DESCRIPTION.....	31	
5.3 CONFIRMATION OF THE NETWORK MODULE.....	40	
6. SERVICE MODE.....	42	
7. DISASSEMBLY.....	45	C
8. EACH SETTING AND ADJUSTMENT.....	66	
8.1 ADJUSTMENT REQUIRED WHEN THE UNIT IS REPAIRED OR REPLACED.....	66	
8.2 HOW TO SAVE AND LOAD THE SETTING USING BACKUP FUNCTION WITH USB MEMORY.....	67	
8.3 REGION WRITING.....	68	
8.4 HOW TO UPDATE FIRMWARE.....	69	
9. EXPLODED VIEWS AND PARTS LIST.....	72	
9.1 PACKING SECTION.....	72	
9.2 EXTERIOR SECTION.....	74	
9.3 REAR SECTION.....	76	
9.4 CHASSIS SECTION.....	78	
9.5 FRONT SECTION.....	80	D
10. PCB PARTS LIST.....	82	

# 1. SERVICE PRECAUTIONS

## 1.1 NOTES ON SOLDERING

- For environmental protection, lead-free solder is used on the printed circuit boards mounted in this unit.  
Be sure to use lead-free solder and a soldering iron that can meet specifications for use with lead-free solders for repairs accompanied by reworking of soldering.  
Do NOT use a soldering iron whose tip temperature cannot be controlled.

## 1.2 NOTES ON REPLACING

- The part listed below is difficult to replace as a discrete component part.  
When the part listed in the table is defective, replace whole Assy.

ASSY NAME	PCB ASSY Part No.	Ref No.	FUNCTION	Part No.	Remarks
DIGITAL MAIN ASSY	AWX2009	IC451	3CH SW POWER SUPPLY IC	TPS65251RHA-TLB	IC with heat-pad
		IC1204	VIDEO PROCESSOR IC	88DE2750-K	IC BGA type
		IC1212	DDR IC	K4T51163QJ-BCE7-K	
		IC1602	HDMI INTERFACE IC	MN864787-K	IC with heat-pad
		IC1609	HDMI INTERFACE IC	MN864788-K	
		IC9002	DSP IC	CS49844A-K	
		IC9206	APPLE AUTHENTICATION IC	H337S3959-TBB	
		IC9403		MM3543BH-TBB	
		IC9514	POWER SUPPLY IC	MIC94325YMT-TBB	IC with heat-pad
		IC9515			
		IC9523			
		IC9602	HDMI SW IC	SII9589CTUC-3-K	IC with heat-pad
		IC9703	DSP IC	D808K013DPTP456-K	
		JA1601	HDMI Connector	AKP7268-A-K	JACK with Cu-through-hole & SMD type
		JA1602			
		JA1603			
		JA9202	LAN Connector	AKN7115-A	JACK with Cu-through-hole & 10 pin
		JA9601	HDMI Connector	AKP7268-A-K	JACK with Cu-through-hole & SMD type
		JA9602			
		JA9603			
JA9604					
JA9605					
JA9606					
JA9607					
JA9620					
D AMP_SS ASSY (SC-95)  D AMP_S ASSY (SC-LX59)	AWH7114 (SC-95)  AWH7112 (SC-LX59)	Q4101	FET	IRF6775MPBFS1-TRB	Pins are under the parts side.
		Q4102			
		Q4201			
		Q4202			
		Q4301			
		Q4302			
		Q4401			
		Q4402			
		Q4501			
		Q4502			
		Q4601			
		Q4602			
		Q4701			
		Q4702			
		Q4801			
		Q4802			
Q4901					
Q4902					
DISPLAY ASSY	AWX2022	IC6001	FLASH BLANK UC IC	R5F100MHAFA-K	Software is not written.

## 1.3 CAUTION

- Discharging**  
Before starting the diagnosis, wait for three minutes until the electricity of the unit is discharged.
- Ground Points**  
Please refer to "Ground Points".

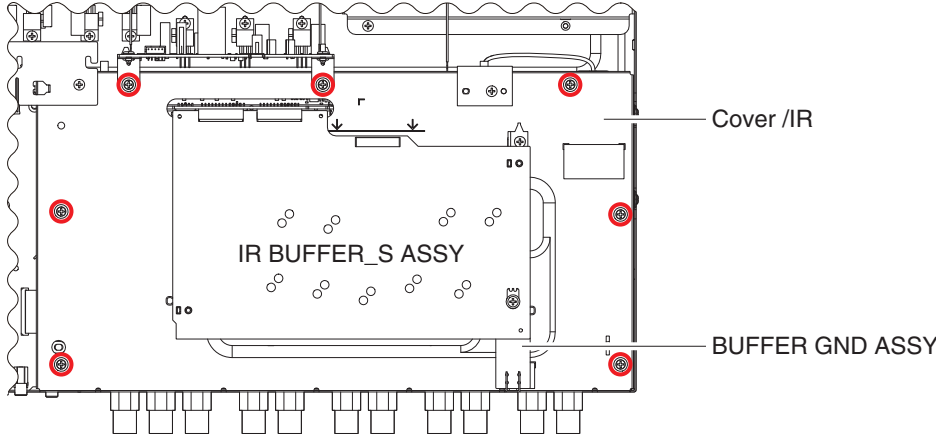


# 1.4 NOTES ON ASSEMBLING

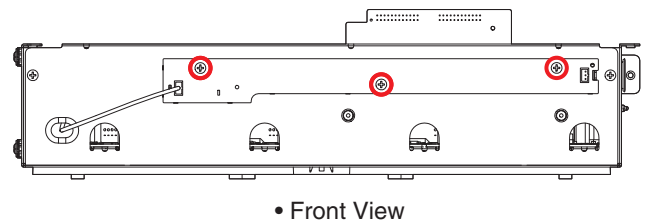
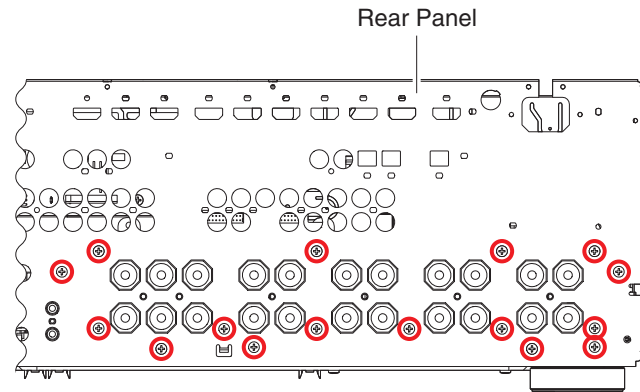
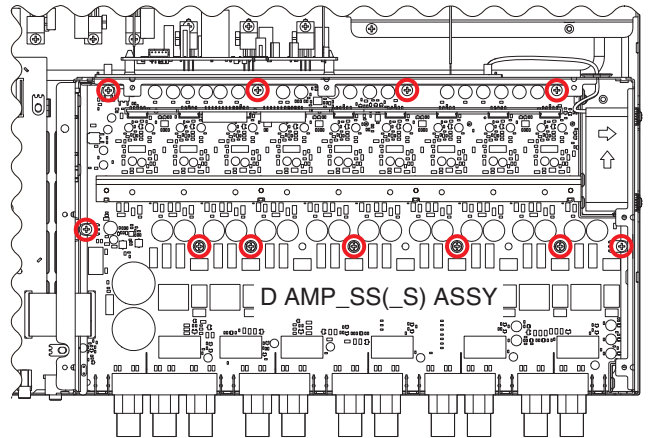
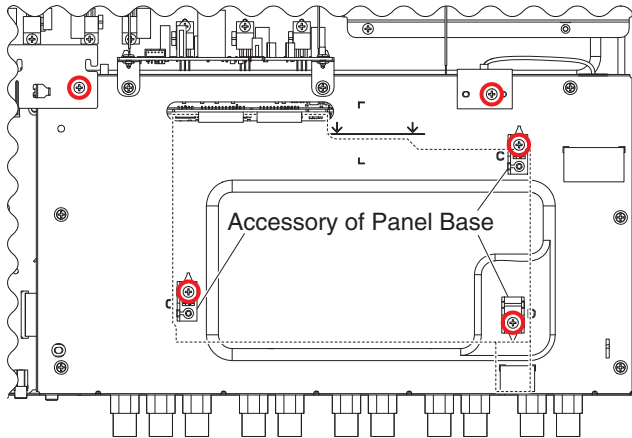
**Note :** The right and left positions for the attachment positioning of digital amplifier block are gradual, however, adjust the front and back positions correctly. For the positioning procedure, refer to "7. DISASSEMBLY".

When assembling the digital amplifier block, please note the following points of screws to prevent from short-circuit.

The following 7 points of screws must always be used AMZ30P060FTC



Points to be watched for swarf



If a screw at any of these points needs to be removed for service, be sure to check that the swarf is not on the screw before refastening.

# 2. SPECIFICATIONS

## 2.1 SC-95 SPECIFICATIONS

### A Amplifier section

Continuous average power output\*

8 Ω .....	135 W** per channel
6 Ω .....	175 W*** per channel

\* Measured pursuant to the Federal Trade Commission's Trade Regulation rule on Power Output Claims for Amplifiers

\*\* 1 kHz with no more than 0.08 %\*\*\*\* total harmonic distortion

\*\*\* 1 kHz with no more than 1 %\*\*\*\* total harmonic distortion

\*\*\*\* Measured by Audio Spectrum Analyzer

Multi channel simultaneous power output (1 kHz, 1 %, 8 Ω)

9 ch total.....	760 W
-----------------	-------

Continuous Power Output (1 kHz, 8 Ω, 0.08 %)

Front .....	135 W + 135 W
Center.....	135 W
Surround .....	135 W + 135 W
Surround back.....	135 W + 135 W
Top middle/Extra 1.....	135 W + 135 W

B

Continuous Power Output (1 kHz, 6 Ω, 1.0 %)

Front .....	175 W + 175 W
Center.....	175 W
Surround .....	175 W + 175 W
Surround back.....	175 W + 175 W
Top middle/Extra 1.....	175 W + 175 W

C

Continuous Power Output (1 kHz, 4 Ω, 1.0 %)

Front .....	220 W + 220 W
Center.....	220 W
Surround .....	220 W + 220 W
Surround back.....	220 W + 220 W
Top middle/Extra 1.....	220 W + 220 W

C

Total harmonic distortion ..... 0.04 % (1 kHz, 110 W + 110 W, 8 Ω)

Guaranteed speaker impedance ..... 4 Ω to 16 Ω

### Audio Section

Input (Sensitivity/Impedance)

LINE .....	390 mV/47 kΩ
------------	--------------

Output (Level/Impedance)

REC .....	390 mV/2.2 kΩ
-----------	---------------

Signal-to-Noise Ratio (IHF, short circuited, A network)

LINE .....	101 dB
------------	--------

### Tuner Section

Frequency Range (FM) ..... 87.5 MHz to 108 MHz

Antenna Input (FM) ..... 75 Ω unbalanced

Frequency Range (AM) ..... 530 kHz to 1 700 kHz

Antenna (AM)..... Loop antenna (balanced)

D

### Video Section

Signal level

Composite Video .....	1 Vp-p (75 Ω)
Component Video.....	Y: 1.0 Vp-p (75 Ω), PB/PR: 0.7 Vp-p (75 Ω)

Corresponding maximum resolution

Component Video .....	1080i (1125i)
-----------------------	---------------

E

### Bluetooth Section

Version ..... Bluetooth Specification Ver. 2.1 + EDR

Output..... Bluetooth Specification Class 2

Estimated line-of-sight transmission distance\* ..... About 10 m

\*The line-of-sight transmission distance is an estimate. Actual transmission distances supported may differ depending on surrounding conditions.

Frequency range..... 2.4 GHz

Supported Bluetooth profiles ..... A2DP, AVRCP

Supported Codec ..... SBC (Subband Codec), AAC

### Digital In/Out Section

HDMI terminal ..... 19-pin (Not DVI)

HDMI output type ..... 5 V, 55 mA

HDMI input/MHL terminal ..... 5 V, 900 mA

USB terminal..... USB2.0 High Speed (Type A) 5 V, 1 A

iPod terminal..... USB

F

### Integrated Control Section

Control (IR) terminal .....	ø 3.5 Mini-jack (MONO)
IR signal .....	High Active (High Level: 2.0 V)
12 V Trigger terminal .....	ø 3.5 Mini-jack (MONO)
12 V Trigger output type .....	12 V, Total 150 mA
RS-232C cable type .....	9-pin, cross type, female-female

### Network Section (Wired)

LAN terminal .....	10 BASE-T/100 BASE-TX
--------------------	-----------------------

### Network Section (Wireless)

WLAN standards .....	IEEE 802.11a, IEEE 802.11b, IEEE 802.11g, IEEE 802.11n
Frequency band	
2.4 GHz band (2.412GHz to 2.462GHz) .....	Channel 1 to Channel 11
5 GHz band (5.180GHz to 5.240GHz, 5.745GHz to 5.825GHz) .....	Channel 36 to Channel 48, Channel 149 to Channel 165
Security .....	Disabled (no encryption)
	WEP (Key length: 64 bit/128 bit, Key format: ASCII/Hex)
	WPA2 Mixed (WPA/WPA2, Encryption method: TKIP/AES, Recognition method: PSK)

### Miscellaneous

Power requirements .....	AC 120 V, 60 Hz
Power consumption .....	330 W
In standby .....	0.1 W
In standby (HDMI control on) .....	0.3 W
In standby (Network standby on) .....	2.7 W
In standby (Network standby on, wireless LAN connected) .....	3.0 W
In standby (HDMI control on, Network standby on) .....	2.7 W
In standby (HDMI control on, Network standby on, wireless LAN connected) .....	3.0 W
Auto power down .....	15 min, 30 min, 60 min, off (default)
Dimensions .....	435 mm (W) x 185 mm (H) x 441 mm (D) (17.13 in. (W) x 7.28 in. (H) x 17.36 in. (D))
Weight (without package) .....	15.1 kg (33.3 lb)

### Number of Furnished Parts

MCACC Setup microphone .....	1
Remote control unit .....	1
AAA size IEC R03 dry cell batteries .....	2
AM loop antenna .....	1
FM wire antenna .....	1
Power cord	
CD-ROM	
Quick start guide	
Safety Brochure	
Warranty sheet	



### Notes

- Specifications and the design are subject to possible modifications without notice, due to improvements.
- *Windows® and the Windows logo are trademarks of the Microsoft group of companies.*
- Corporation and product names mentioned herein are trademarks or registered trademarks of the respective corporations.
- *Manufactured under license from Dolby Laboratories. Dolby, Dolby Atmos, Dolby Surround, and the double-D symbol are trademarks of Dolby Laboratories.*
- *For DTS patents, see <http://patents.dts.com>. Manufactured under license from DTS Licensing Limited. DTS, DTS-HD, the Symbol, & DTS and the Symbol together are registered trademarks, and DTS-HD Master Audio and DTS Neo:X | 11.1 are a trademark of DTS, Inc. © DTS, Inc. All Rights Reserved.*
- *Apple, AirPlay, iPad, iPhone, iPod, iPod nano, iPod touch, iTunes, Safari, Bonjour, Mac, Mac OS and OS X are trademarks of Apple Inc., registered in the U.S. and other countries. The AirPlay logo is a trademark of Apple Inc.*
- *The Wi-Fi CERTIFIED Logo is a certification mark of Wi-Fi Alliance.*
- *The Wi-Fi Protected Setup Identifier Mark is a certification mark of Wi-Fi Alliance.*
- *SABRE DAC™ and the logo are trademarks of ESS Technology, Inc.*
- *HTC, HTC Connect and the HTC Connect logo are trademarks of HTC Corporation.*
- *MHL, the MHL Logo, and Mobile High-Definition Link are trademarks or registered trademarks of MHL, LLC in the United States and other countries.*

## 2.2 SC-LX59 SPECIFICATIONS

### Amplifier section

Multi channel simultaneous power output (1 kHz, 1 %, 8 Ω)

9 ch total.....	760 W
Rated power output (1 kHz, 4 Ω, 1 %, 1 ch Driven).....	240 W per channel
Rated power output (1 kHz, 6 Ω, 1 %, 1 ch Driven).....	190 W per channel
For Oceania model: Maximum power output (1 kHz, 4 Ω, 10 %, 1 ch Driven) .....	320 W per channel
Total harmonic distortion .....	0.04 % (1 kHz, 110 W + 110 W, 8 Ω)
Guaranteed speaker impedance .....	4 Ω to 16Ω

### Audio Section

Input (Sensitivity/Impedance)

LINE ..... 390 mV/47 kΩ

Output (Level/Impedance)

REC..... 390 mV/2.2 kΩ

Signal-to-Noise Ratio (IHF, short circuited, A network)

LINE..... 101 dB

### Tuner Section

Frequency Range (FM)..... 87.5 MHz to 108 MHz

Antenna Input (FM)..... 75 Ω unbalanced

Frequency Range (AM)..... 531 kHz to 1 602 kHz

Antenna (AM)..... Loop antenna (balanced)

### Video Section

Signal level

Composite Video..... 1 Vp-p (75 Ω)

Component Video..... Y: 1.0 Vp-p (75 Ω), PB/PR: 0.7 Vp-p (75 Ω)

Corresponding maximum resolution

Component Video..... 1080i (1125i)

### Bluetooth Section

Version..... *Bluetooth* Specification Ver. 2.1 + EDR

Output..... *Bluetooth* Specification Class 2

Estimated line-of-sight transmission distance\* ..... About 10 m

\*The line-of-sight transmission distance is an estimate. Actual transmission distances supported may differ depending on surrounding conditions.

Frequency range ..... 2.4 GHz

Supported *Bluetooth* profiles ..... A2DP, AVRCP

Supported Codec..... SBC (Subband Codec), AAC

### Digital In/Out Section

HDMI terminal ..... 19-pin (Not DVI)

HDMI output type..... 5 V, 55 mA

HDMI input/MHL terminal ..... 5 V, 900 mA

USB terminal..... USB2.0 High Speed (Type A) 5 V, 1 A

iPod terminal ..... USB

### Integrated Control Section

Control (IR) terminal..... ø 3.5 Mini-jack (MONO)

IR signal ..... High Active (High Level: 2.0 V)

12 V Trigger terminal..... ø 3.5 Mini-jack (MONO)

12 V Trigger output type ..... 12 V, Total 150 mA

RS-232C cable type ..... 9-pin, cross type, female-female

### Network Section (Wired)

LAN terminal ..... 10 BASE-T/100 BASE-TX

### Network Section (Wireless)

WLAN standards ..... IEEE 802.11a, IEEE 802.11b, IEEE 802.11g, IEEE 802.11n

Frequency band

2.4 GHz band (2.412 GHz to 2.472 GHz)..... Channel 1 to Channel 13

5 GHz band (5.180 GHz to 5.240 GHz) ..... Channel 36 to Channel 48

Security..... Disabled (no encryption)

WEP (Key length: 64 bit/128 bit, Key format: ASCII/Hex)

WPA2 Mixed (WPA/WPA2, Encryption method: TKIP/AES, Recognition method: PSK)

## Miscellaneous

Power requirements .....	AC 220 V to 230 V, 50 Hz/60 Hz
Power consumption .....	330 W
In standby.....	0.1 W
In standby (HDMI control on) .....	0.3 W
In standby (Network standby on) .....	2.7 W
In standby (Network standby on, wireless LAN connected).....	3.0 W
In standby (HDMI control on, Network standby on) .....	2.7 W
In standby (HDMI control on, Network standby on, wireless LAN connected) .....	3.0 W
Auto power down.....	15 min (default), 30 min, 60 min, off
Dimensions .....	435 mm (W) x 185 mm (H) x 441 mm (D)
Weight (without package) .....	15.3 kg

## Number of Furnished Parts

MCACC Setup microphone .....	1
Remote control unit .....	1
AAA size IEC R03 dry cell batteries .....	2
AM loop antenna .....	1
FM wire antenna .....	1
Power cord	
CD-ROM	
Quick start guide	
Safety Brochure	
Warranty sheet	



## Notes

- Specifications and the design are subject to possible modifications without notice, due to improvements.
  - *Windows® and the Windows logo are trademarks of the Microsoft group of companies.*
  - Corporation and product names mentioned herein are trademarks or registered trademarks of the respective corporations.
- 
- *Manufactured under license from Dolby Laboratories. Dolby, Dolby Atmos, Dolby Surround, and the double-D symbol are trademarks of Dolby Laboratories.*
  - *For DTS patents, see <http://patents.dts.com>. Manufactured under license from DTS Licensing Limited. DTS, DTS-HD, the Symbol, & DTS and the Symbol together are registered trademarks, and DTS-HD Master Audio and DTS Neo:X | 11.1 are a trademark of DTS, Inc. © DTS, Inc. All Rights Reserved.*
  - *Apple, AirPlay, iPad, iPhone, iPod, iPod nano, iPod touch, iTunes, Safari, Bonjour, Mac, Mac OS and OS X are trademarks of Apple Inc., registered in the U.S. and other countries. The AirPlay logo is a trademark of Apple Inc.*
  - *The Wi-Fi CERTIFIED Logo is a certification mark of Wi-Fi Alliance.*
  - *The Wi-Fi Protected Setup Identifier Mark is a certification mark of Wi-Fi Alliance.*
  - *SABRE DAC™ and the logo are trademarks of ESS Technology, Inc.*
  - *HTC, HTC Connect and the HTC Connect logo are trademarks of HTC Corporation.*
  - *MHL, the MHL Logo, and Mobile High-Definition Link are trademarks or registered trademarks of MHL, LLC in the United States and other countries.*

## 3. BASIC ITEMS FOR SERVICE

### 3.1 CHECK POINTS AFTER SERVICING

#### A Items to be checked after servicing

To keep the product quality after servicing, confirm recommended check points shown below.

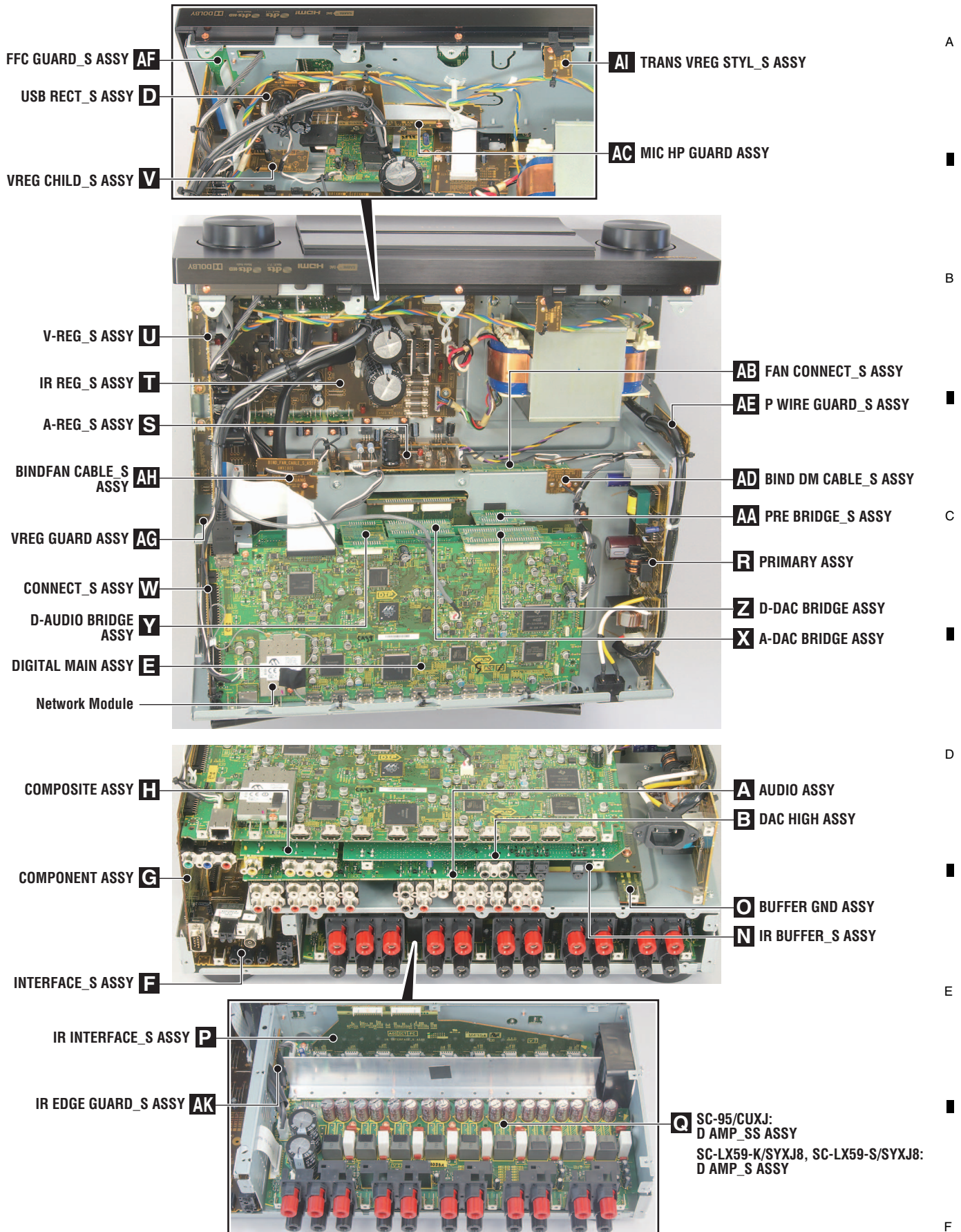
No.	Procedures	Check points
1	Check the firmware version.	The firmware version must be the latest one. If it is not the latest one, be sure to update it.
2	Confirm whether the customer complain has been solved. If the customer complain occurs with the particular source, such as Dolby Digital, DTS, AAC and HDMI, input it for the operation check.	The customer complain must not be reappeared. Video, Audio and operations must be normal.
3	Check the analog audio playback. (Make the analog connections with a CD/DVD/BD player.)	Each channel audio and operations must be normal.
4	Check the HDMI digital audio playback. (Make the digital connections with a BD player.)	Each channel audio and operations must be normal.
5	Check a supported music file playback (e.g. wav, flac, mp3, etc). (Make the connections with a USB memory or an iOS device)	Audio and operations including OSD output must be normal.
6	Check the surround playback. (Select Surround mode and check the multichannel operations via the DSP circuit.)	Each channel audio and operations must be normal.
7	Check the video outputs. (Connect with a BD player.)	Video and operations must be normal.
8	Check the tuner (AM and FM) operations.	Audio and operations must be normal.
9	Check the sound from headphone output.	Sound must be normal, without noise.
10	Check the appearance of the product.	No scratches or dirt on its appearance after receiving it for service.

See the table below for the items to be checked regarding video and audio.

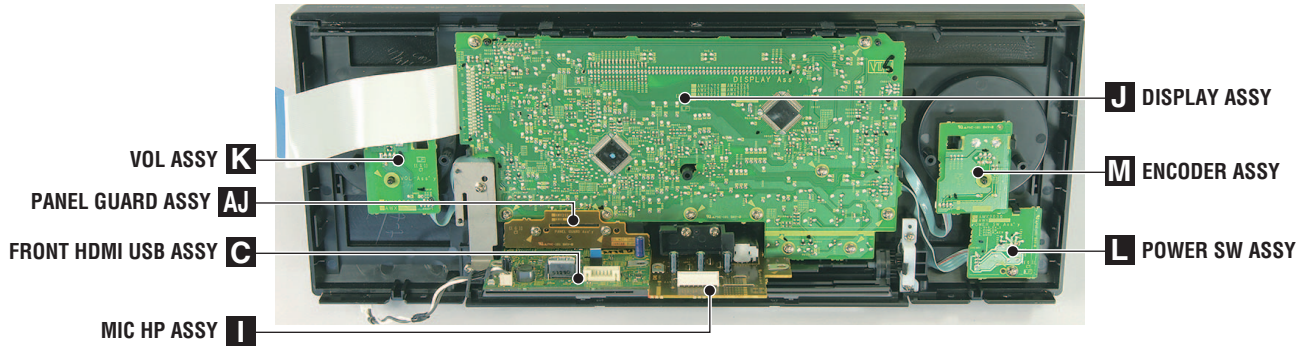
Item to be checked regarding video	Item to be checked regarding audio
Block noise	Distortion
Horizontal noise	Noise
Flicker	Volume too low
Disturbed image (video jumpiness)	Volume too high
Too dark	Volume fluctuating
Too bright	Sound interrupted
Mottled color	



## 3.2 PCB LOCATIONS



A



NOTES: ● Parts marked by “NSP” are generally unavailable because they are not in our Master Spare Parts List.  
 ● The  $\triangle$  mark found on some component parts indicates the importance of the safety factor of the part.  
 Therefore, when replacing, be sure to use parts of identical designation.

B

Mark	No.	Description	Part No.	Mark	No.	Description	Part No.
<b>LIST OF ASSEMBLIES</b>							
		1...D AMP_SS ASSY (SC-95)	AWH7114	NSP	1...	INTERFACE REG_S ASSY (SC-95)	AWR7302
		1...D AMP_S ASSY (SC-LX59)	AWH7112		2..	INTERFACE_S ASSY	AWX2135
					2..	IR REG_S ASSY	AWX2139
					2..	CONNECT_S ASSY	AWX2144
				NSP	2..	TRANS VREG_STYL_S ASSY	AWX1890
NSP	1...	AUDIO COMPOSITE_H ASSY (SC-95)	AWR7283	NSP	1...	INTERFACE REG_S ASSY (SC-LX59)	AWR7303
	2..	AUDIO ASSY	AWX2071		2..	INTERFACE_S ASSY	AWX2136
	2..	COMPOSITE ASSY	AWX2195		2..	IR REG_S ASSY	AWX2140
	2..	D-AUDIO BRIDGE ASSY	AWX2196		2..	CONNECT_S ASSY	AWX2145
	2..	D-DAC BRIDGE ASSY	AWX2197	NSP	2..	TRANS VREG_STYL_S ASSY	AWX1890
	2..	A-DAC BRIDGE ASSY	AWX2198				
	2..	FAN CONNECT_S ASSY	AWX2199	NSP	1...	PRE POWER_S ASSY (SC-95)	AWR7312
	2..	PRE BRIDGE_S ASSY	AWX2200		2..	A-REG_S ASSY	AWX2168
NSP	1...	AUDIO COMPOSITE_H ASSY (SC-LX59)	AWR7284		2..	V-REG_S ASSY	AWX2172
	2..	AUDIO ASSY	AWX2072		2..	VREG_CHILD_S ASSY	AWX2176
	2..	COMPOSITE ASSY	AWX2195		2..	USB RECT_S ASSY	AWX2177
	2..	D-AUDIO BRIDGE ASSY	AWX2196		2..	BIND_DM_CABLE_S ASSY	AWX1863
	2..	D-DAC BRIDGE ASSY	AWX2197		2..	P_WIRE_GUARD_S ASSY	AWX1864
	2..	A-DAC BRIDGE ASSY	AWX2198	NSP	2..	FFC_GUARD_S ASSY	AWX1862
	2..	FAN CONNECT_S ASSY	AWX2199	NSP	2..	BINDFAN_CABLE_S ASSY	AWX1865
	2..	PRE BRIDGE_S ASSY	AWX2200	NSP	1...	PRE POWER_S ASSY (SC-LX59)	AWR7313
NSP	1...	PRIM DISPLAY ASSY (SC-95)	AWM8410		2..	A-REG_S ASSY	AWX2169
	2..	DISPLAY ASSY	AWX2022		2..	V-REG_S ASSY	AWX2173
	2..	VOL ASSY	AWX2029		2..	VREG_CHILD_S ASSY	AWX2176
	2..	POWER SW ASSY	AWX2030		2..	USB RECT_S ASSY	AWX2178
	2..	PRIMARY ASSY	AWX2031		2..	BIND_DM_CABLE_S ASSY	AWX1863
	2..	ENCODER ASSY	AWX2051		2..	P_WIRE_GUARD_S ASSY	AWX1864
	2..	MIC_HP ASSY	AWX2044	NSP	2..	FFC_GUARD_S ASSY	AWX1862
	2..	MIC_HP_GUARD ASSY	AWX2052	NSP	2..	BINDFAN_CABLE_S ASSY	AWX1865
NSP	2..	VREG_GUARD ASSY	AWX2053		1...	IR_INTERFACE_S ASSY	AWX1777
NSP	2..	PANEL GUARD ASSY	AWX2054		2..	IR_INTERFACE_S ASSY	AWX1777
NSP	1...	PRIM DISPLAY ASSY (SC-LX59)	AWM8411	NSP	2..	IR_EDGE_GUARD_S ASSY	AWX1779
	2..	DISPLAY ASSY	AWX2023		1...	DAC_HIGH ASSY (SC-95)	AWX2059
	2..	VOL ASSY	AWX2029		1...	DAC_HIGH ASSY (SC-LX59)	AWX2060
	2..	POWER SW ASSY	AWX2030		1...	COMPONENT ASSY (SC-95)	AWX2101
	2..	PRIMARY ASSY	AWX2032		1...	COMPONENT ASSY (SC-LX59)	AWX2102
	2..	ENCODER ASSY	AWX2051		1...	DIGITAL_MAIN ASSY (SC-95)	AWX2009
	2..	MIC_HP ASSY	AWX2045		2..	NETWORK MODULE	AXX7293
	2..	MIC_HP_GUARD ASSY	AWX2052		1...	DIGITAL_MAIN ASSY (SC-LX59)	AWX2010
NSP	2..	VREG_GUARD ASSY	AWX2053		2..	NETWORK MODULE	AXX7293
NSP	2..	PANEL GUARD ASSY	AWX2054		1...	FRONT HDMI USB ASSY (SC-95)	AWX2111
NSP	1...	IR_BUFFER ASSY (SC-95)	AWM8427		1...	FRONT HDMI USB ASSY (SC-LX59)	AWX2112
	2..	IR_BUFFER_S ASSY	AWX2097				
	2..	BUFFER_GND ASSY	AWX1789				
NSP	1...	IR_BUFFER ASSY (SC-LX59)	AWM8428				
	2..	IR_BUFFER_S ASSY	AWX2098				
	2..	BUFFER_GND ASSY	AWX1789				

F



### 3.3 JIGS LIST

#### [1] Jigs List

Name	Jig No.	Remarks
15P FFC extension jig cable	GGD1680	Diagnosis for AUDIO ASSY, D AMP_SS(_S) ASSY
29P board to board extension jig cable	GGD1856	Diagnosis for AUDIO ASSY, D AMP_SS(_S) ASSY, DIGITAL MAIN ASSY(side-B), DAC HIGH ASSY
5P board to board extension jig cable	GGD1857	Diagnosis for AUDIO ASSY, D AMP_SS(_S) ASSY, DIGITAL MAIN ASSY(side-B), DAC HIGH ASSY
5P PH Housing ASSY extension jig cable	GGD1594	Diagnosis for AUDIO ASSY, D AMP_SS(_S) ASSY
4P PH Housing ASSY extension jig cable	GGD1809	Diagnosis for AUDIO ASSY, D AMP_SS(_S) ASSY
24P board to board extension jig cable x 2	GGD1871	Diagnosis for AUDIO ASSY, D AMP_SS(_S) ASSY, DIGITAL MAIN ASSY(side-B), DAC HIGH ASSY
23P board to board extension jig cable	GGD1875	Diagnosis for DIGITAL MAIN ASSY(side-B), DAC HIGH ASSY
30P + 30P board to board extension jig cable	GGD1682	Diagnosis for DIGITAL MAIN ASSY(side-B), DAC HIGH ASSY
28P board to board extension jig cable	GGD1867	Diagnosis for DIGITAL MAIN ASSY(side-B), DAC HIGH ASSY
20P board to board extension jig cable	GGD1868	Diagnosis for DIGITAL MAIN ASSY(side-B), DAC HIGH ASSY

#### [2] Lubricants and Glues List

Name	Lubricants and Glues No.	Remarks
Silicone Grease	GYA1001	Refer to "9.5 FRONT SECTION"

#### [3] Cleaning

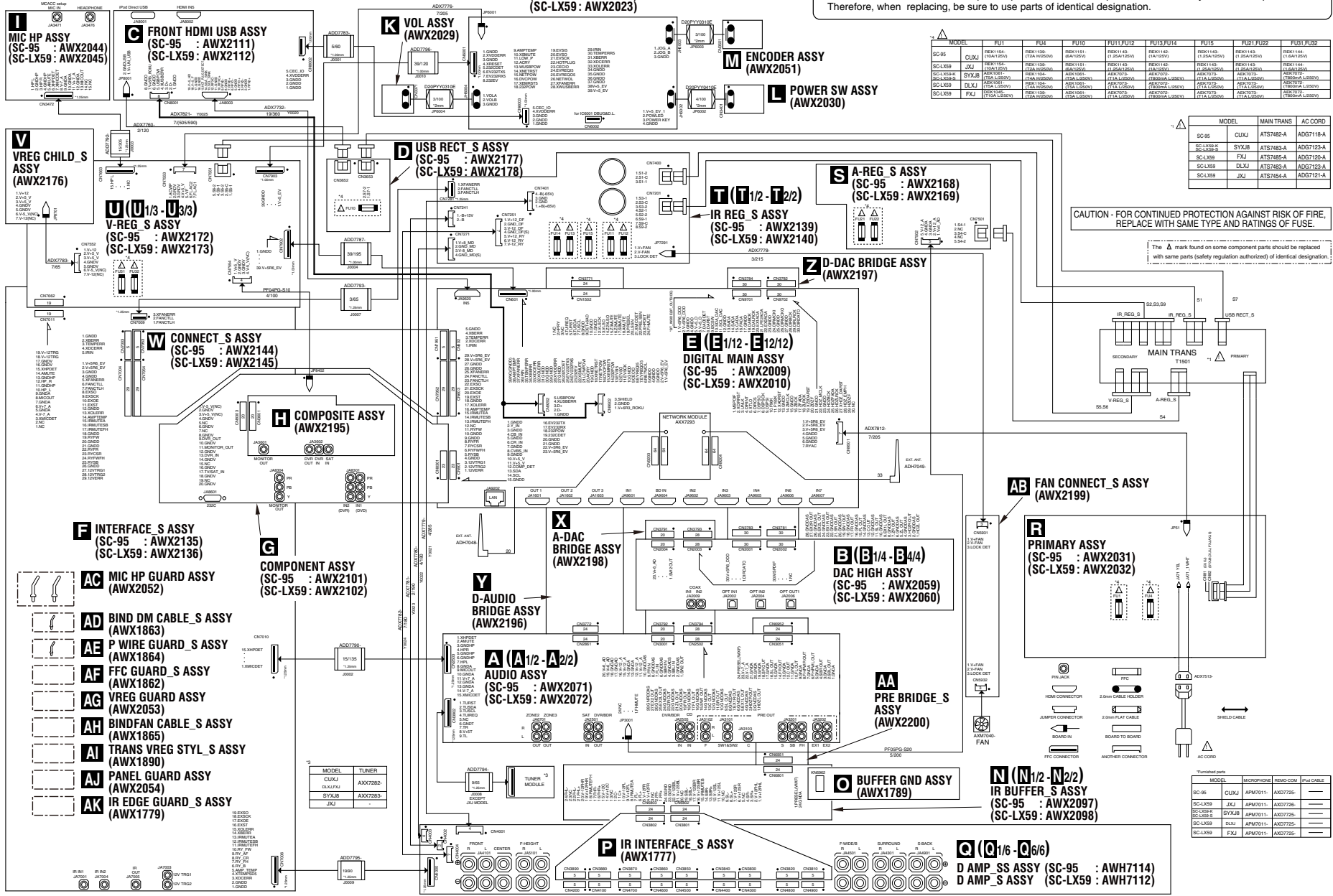


Before shipping out the product, be sure to clean the following positions by using the prescribed cleaning tools.

Position to be cleaned	Name	Part No.	Remarks
Fan	Cleaning paper	GED-008	Refer to "9.4 CHASSIS SECTION".

# 4.1 OVERALL WIRING DIAGRAM

## 4. BLOCK DIAGRAM



When ordering service parts, be sure to refer to "EXPLODED VIEWS and PARTS LIST" or "PCB PARTS LIST".  
 The  $\Delta$  mark found on some component parts indicates the importance of the safety factor of the part.  
 Therefore, when replacing, be sure to use parts of identical designation.

MODEL	FU1	FU4	FU5	FU1/FU2	FU3/FU4	FU6	FU7	FU8	FU9	FU10
SC-95	CUJX	REK1184 (10A/125V)	REK1185 (15A/125V)	REK1181 (1A/250V)	REK1142 (1A/250V)	REK1143 (1.5A/250V)	REK1144 (1.5A/250V)	REK1145 (1.5A/250V)	REK1146 (1.5A/250V)	REK1147 (1.5A/250V)
SC-LX59	JKJ	REK1184 (10A/125V)	REK1185 (15A/125V)	REK1181 (1A/250V)	REK1142 (1A/250V)	REK1143 (1.5A/250V)	REK1144 (1.5A/250V)	REK1145 (1.5A/250V)	REK1146 (1.5A/250V)	REK1147 (1.5A/250V)
SC-LX99	SYXJ8	REK1184 (10A/125V)	REK1185 (15A/125V)	REK1181 (1A/250V)	REK1142 (1A/250V)	REK1143 (1.5A/250V)	REK1144 (1.5A/250V)	REK1145 (1.5A/250V)	REK1146 (1.5A/250V)	REK1147 (1.5A/250V)
SC-LX89	DLJX	REK1184 (10A/125V)	REK1185 (15A/125V)	REK1181 (1A/250V)	REK1142 (1A/250V)	REK1143 (1.5A/250V)	REK1144 (1.5A/250V)	REK1145 (1.5A/250V)	REK1146 (1.5A/250V)	REK1147 (1.5A/250V)
SC-LX99	FKJ	REK1184 (10A/125V)	REK1185 (15A/125V)	REK1181 (1A/250V)	REK1142 (1A/250V)	REK1143 (1.5A/250V)	REK1144 (1.5A/250V)	REK1145 (1.5A/250V)	REK1146 (1.5A/250V)	REK1147 (1.5A/250V)

MODEL	MAIN TRANS.	AC CORD
SC-95	CUJX	ATS7483-A
SC-LX59	SYXJ8	ATS7483-A
SC-LX89	FKJ	ATS7483-A
SC-LX99	DLJX	ATS7483-A
SC-LX99	JKJ	ATS7454-A

CAUTION - FOR CONTINUED PROTECTION AGAINST RISK OF FIRE, REPLACE WITH SAME TYPE AND RATINGS OF FUSE.

The  $\Delta$  mark found on some component parts should be replaced with same parts (safety regulation authorized) of identical designation.

SC-95

14

1

2

3

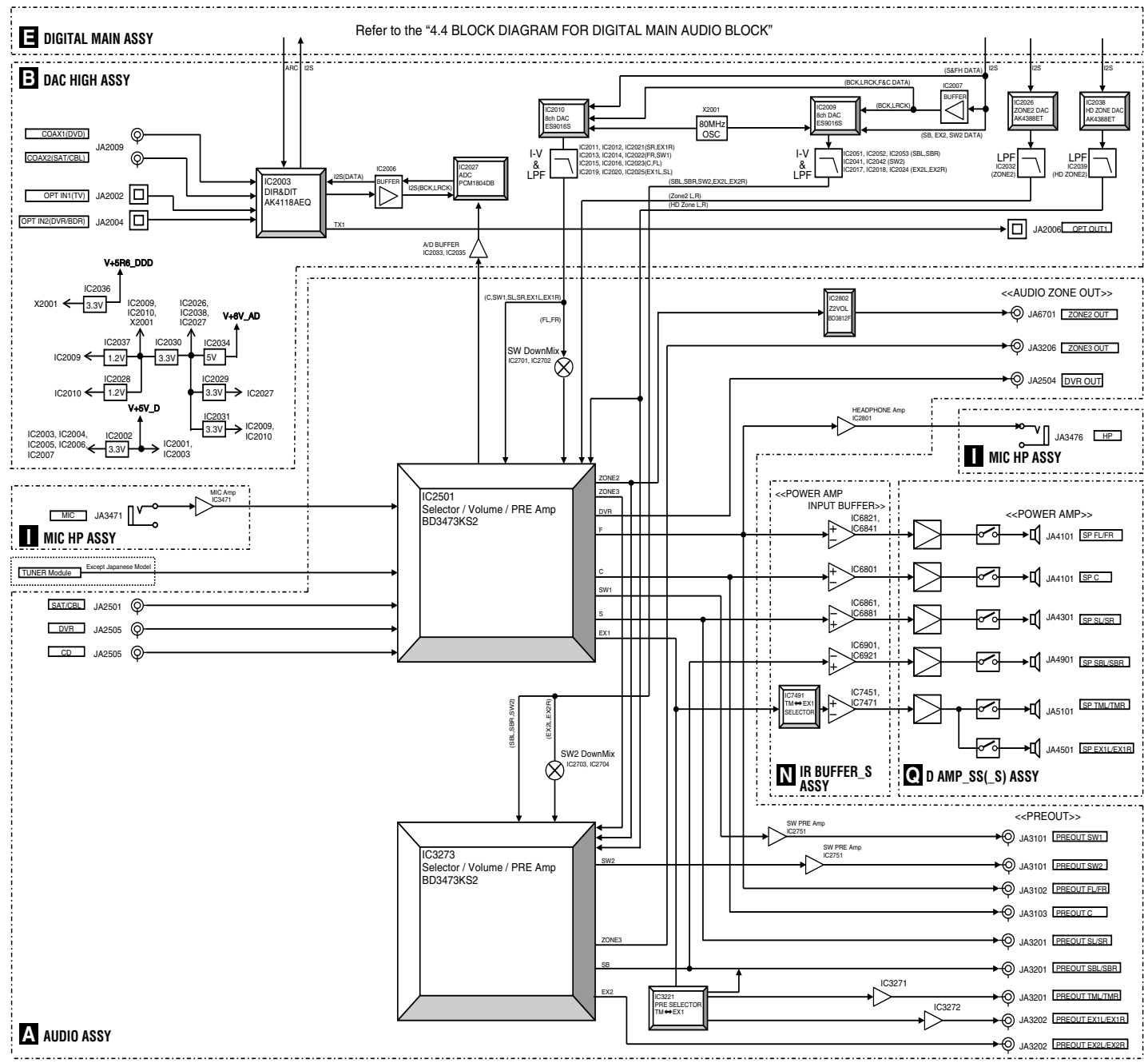
4

1

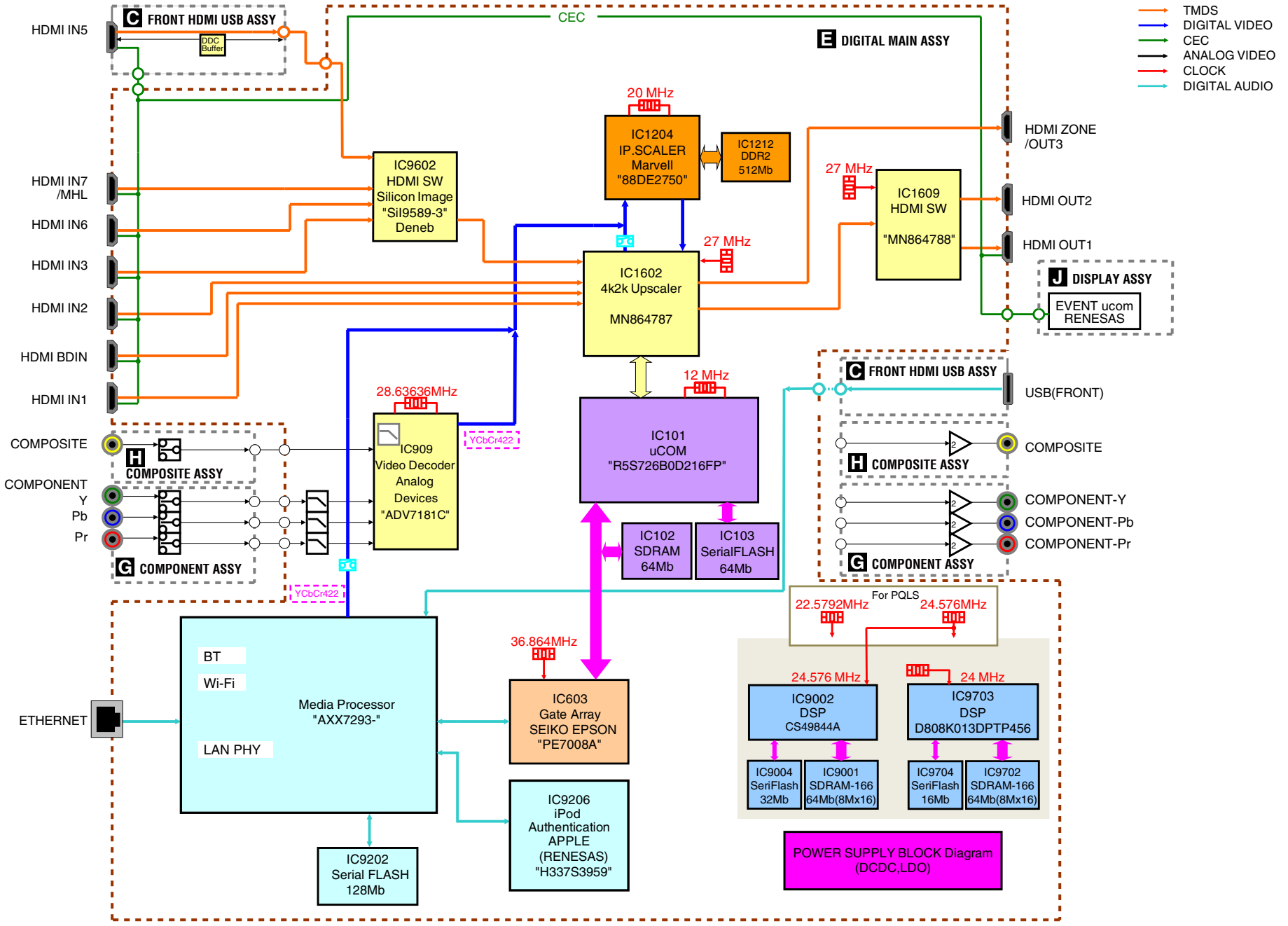
2

3

4



# 4.3 BLOCK DIAGRAM FOR DIGITAL MAIN VIDEO BLOCK



16

1

2

SC-95

3

4

1

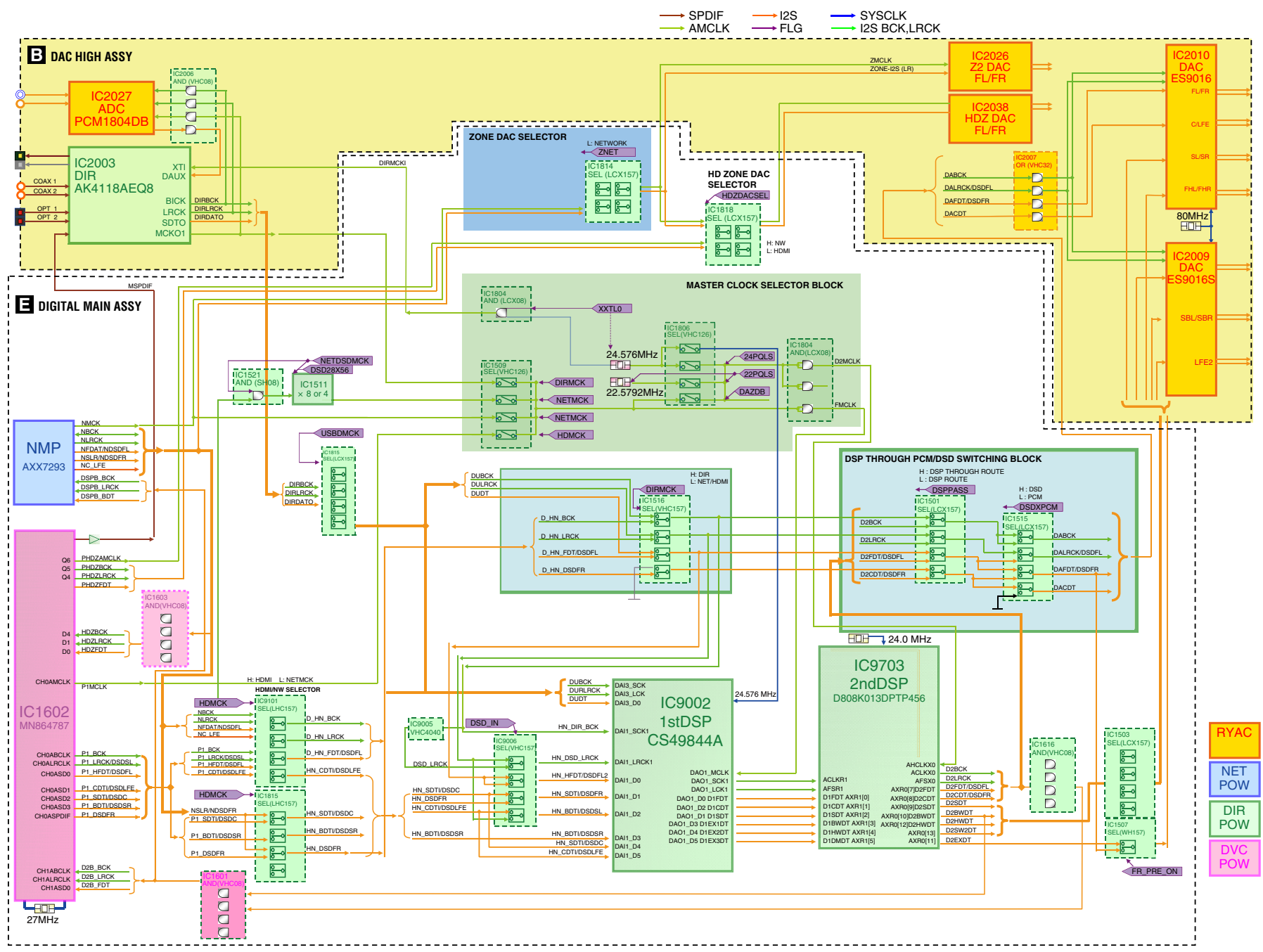
2

3

4

4.4 BLOCK DIAGRAM FOR DIGITAL MAIN AUDIO BLOCK

5  
6  
7  
8  
17



SC-95

A

B

C

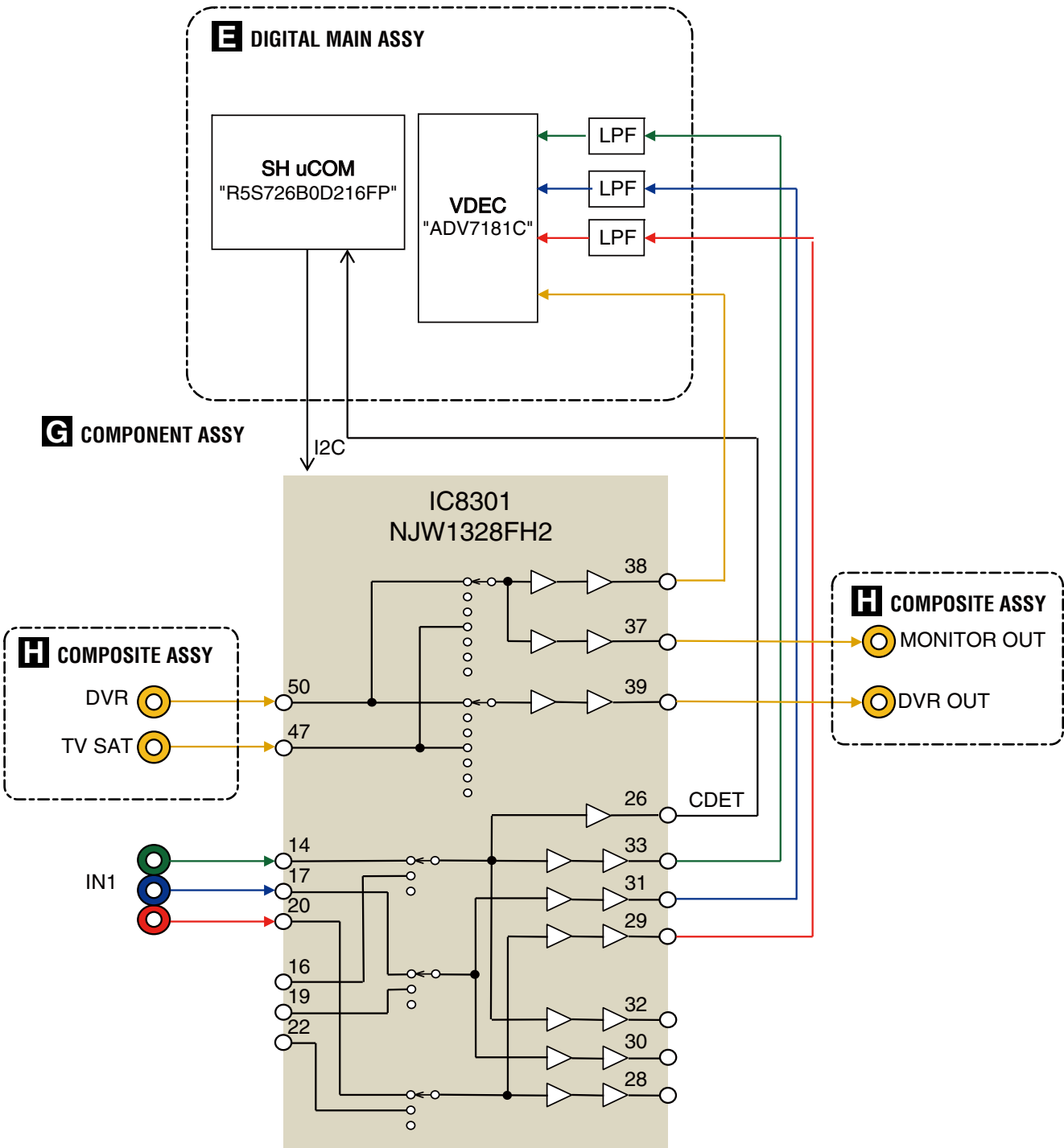
D

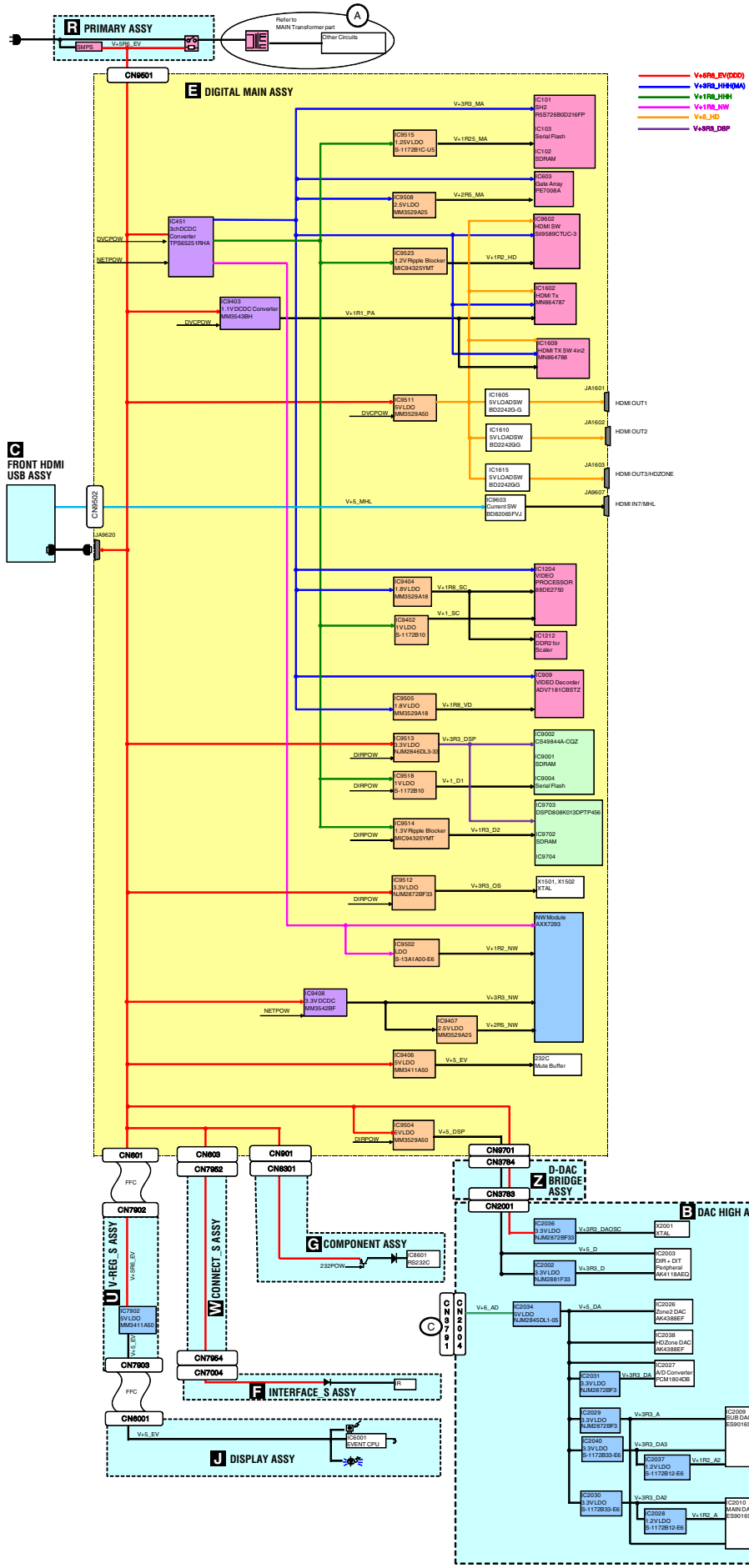
E

F

# 4.5 BLOCK DIAGRAM FOR VIDEO BLOCK

A  
B  
C  
D  
E  
F







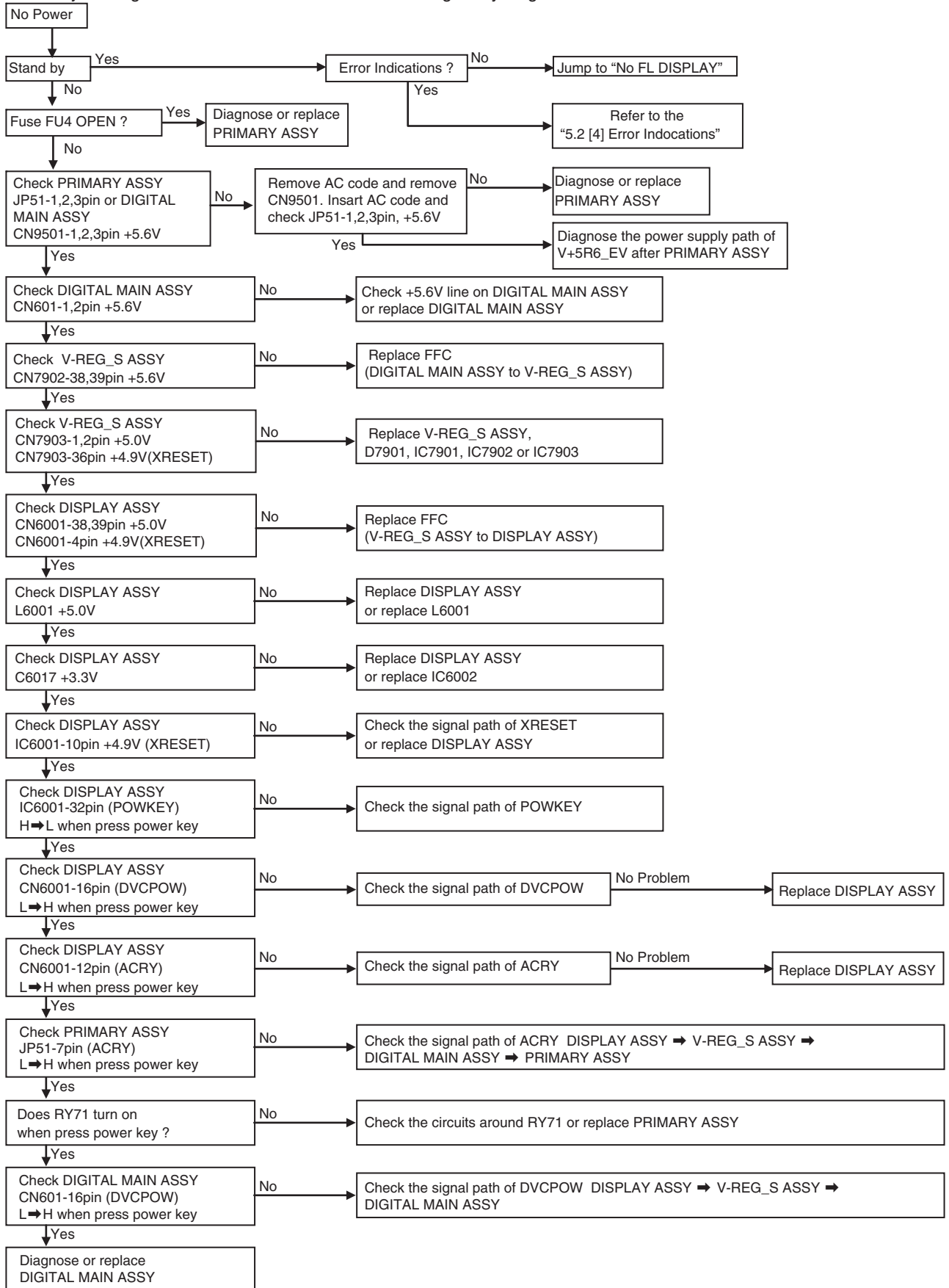


# 5. DIAGNOSIS

## 5.1 DIAGNOSIS FLOWCHART

### NO POWER

This is just for general reference and does not including every single case.

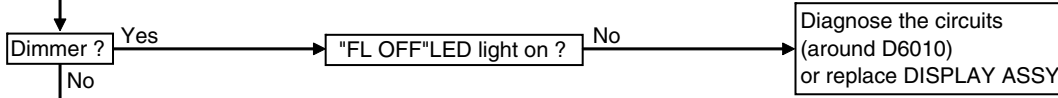


# NO FL DISPLAY

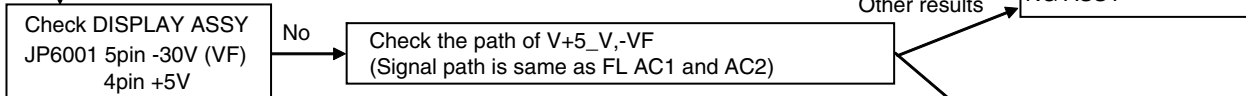
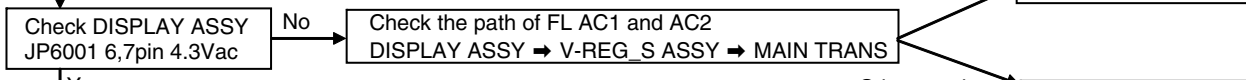
This is just for general reference and does not including every single case.

A

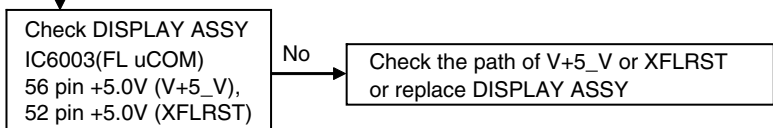
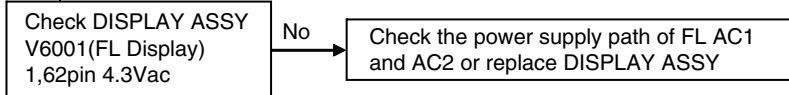
No FL DISPLAY



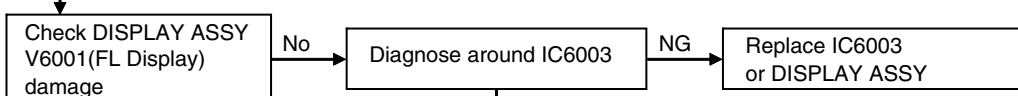
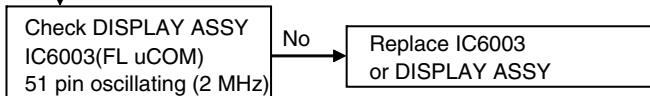
B



C



D



E

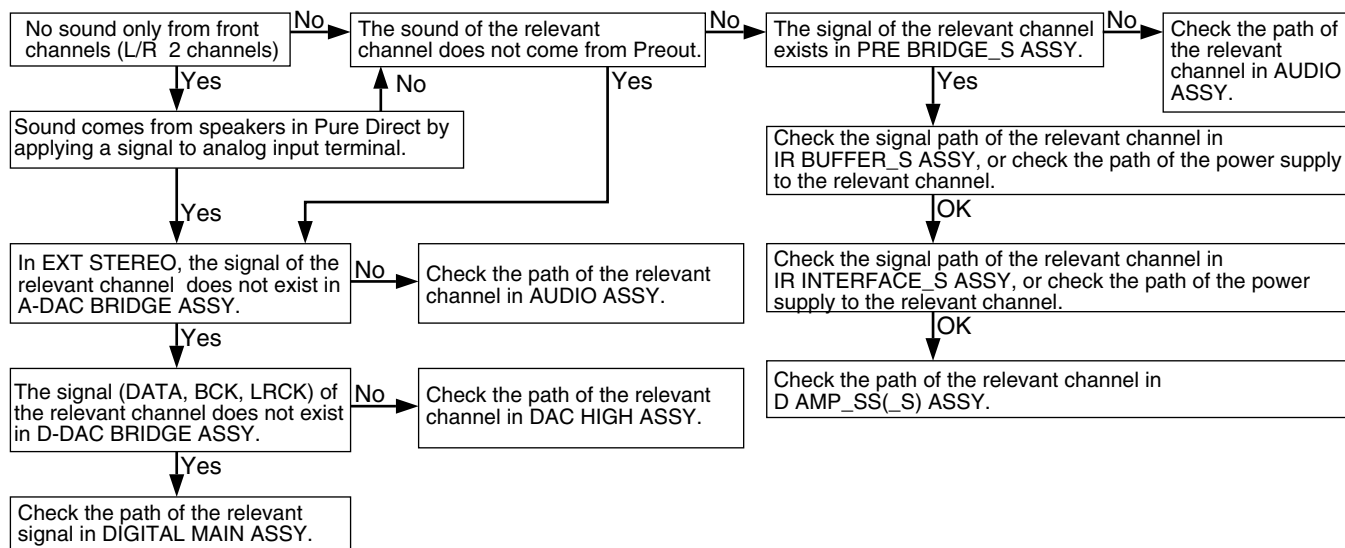
F

## NO SOUND (Except for troubles caused by setting and others)

EXT STEREO mode : 2ch signals are distributed to all channels.

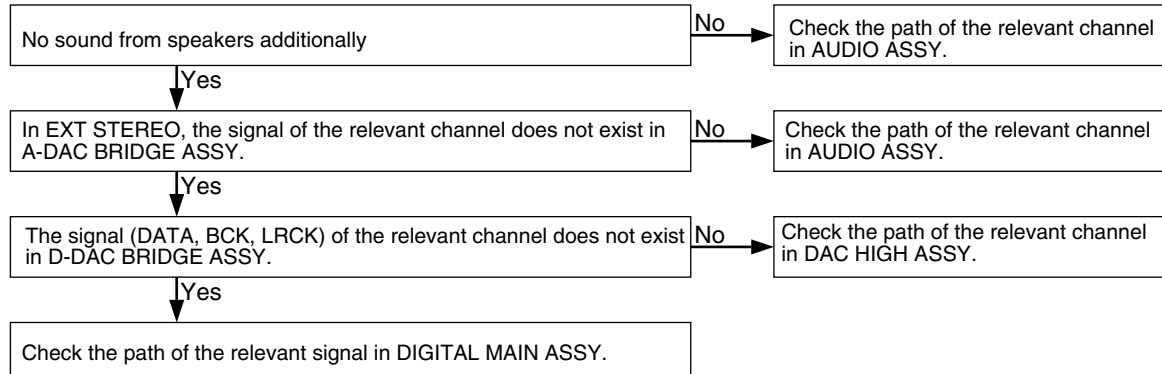
OPTIMUM Surr mode : Surround mode of headphones

- No sound from speakers (Single channel - Check only the signal path of the relevant channel. Plural channels - There may be troubles with power source, control signals: MUTE, DET and others. Bad connection of cables and connectors should be also considered.)**

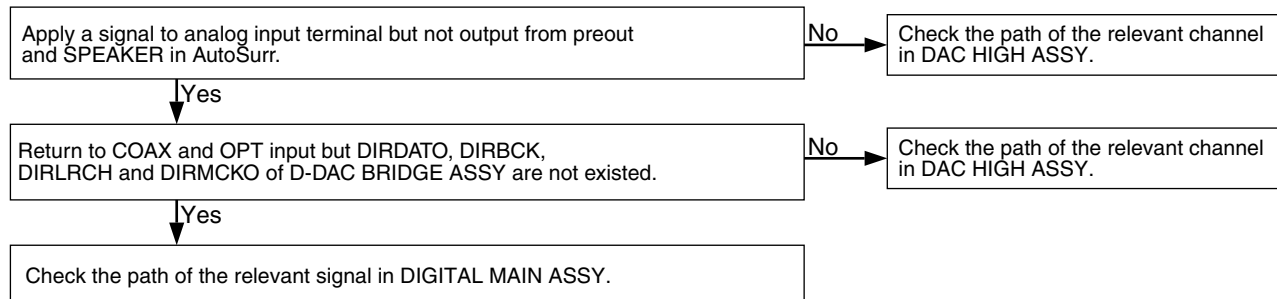


- No sound only from Preout (Single channel - Check only the signal path of the relevant channel. Plural channels - There may be troubles with power source, control signals: MUTE, DET and others. Bad connection of cables and connectors should be also considered.)**

**No sound only in DVROUT - Check the relevant path in AUDIO ASSY .**

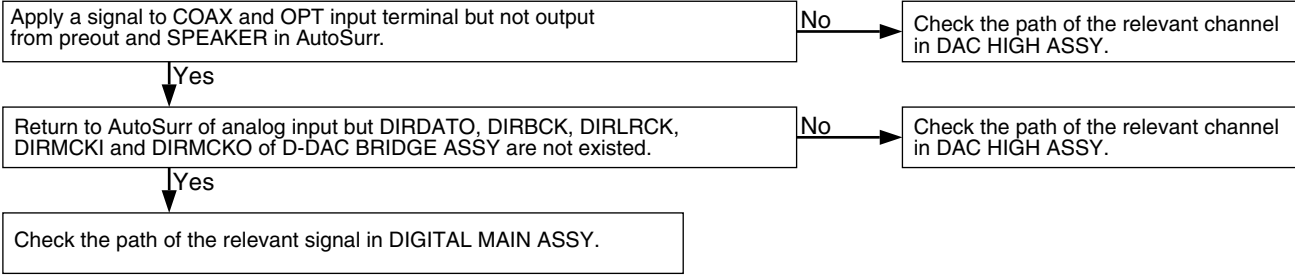


- No sound only in COAX and OPT input (Single channel - Check only the signal path of the relevant channel. Plural channels - There may be troubles with power source, control signals: MUTE, DET and others. Bad connection of cables and connectors should be also considered.)**



**■ No sound only in AutoSurr in analog input (Single channel - Check only the signal path of the relevant channel. Plural channels - There may be troubles with power source, control signals: MUTE, DET and others. Bad connection of cables and connectors should be also considered.)**

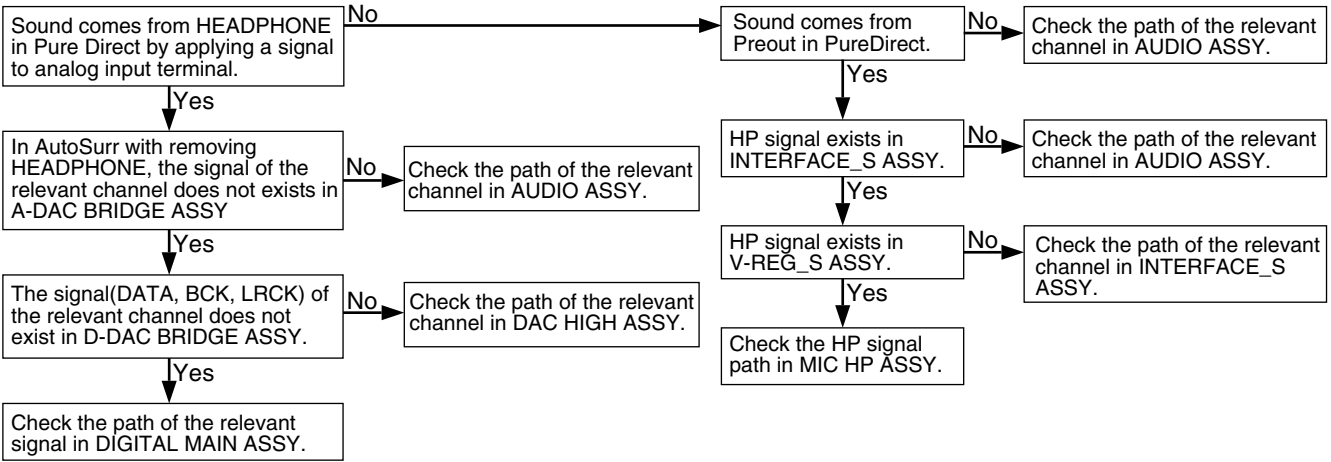
A



B

**■ No sound from HEADPHONES (Single channel - Check only the signal path of the relevant channel. Plural channels - There may be troubles with power source, control signals: MUTE, DET and others. Bad connection of cables and connectors should be also considered.)**  
**If it is impossible to change to HEADPHONE, check the path of XHPDET signal.**

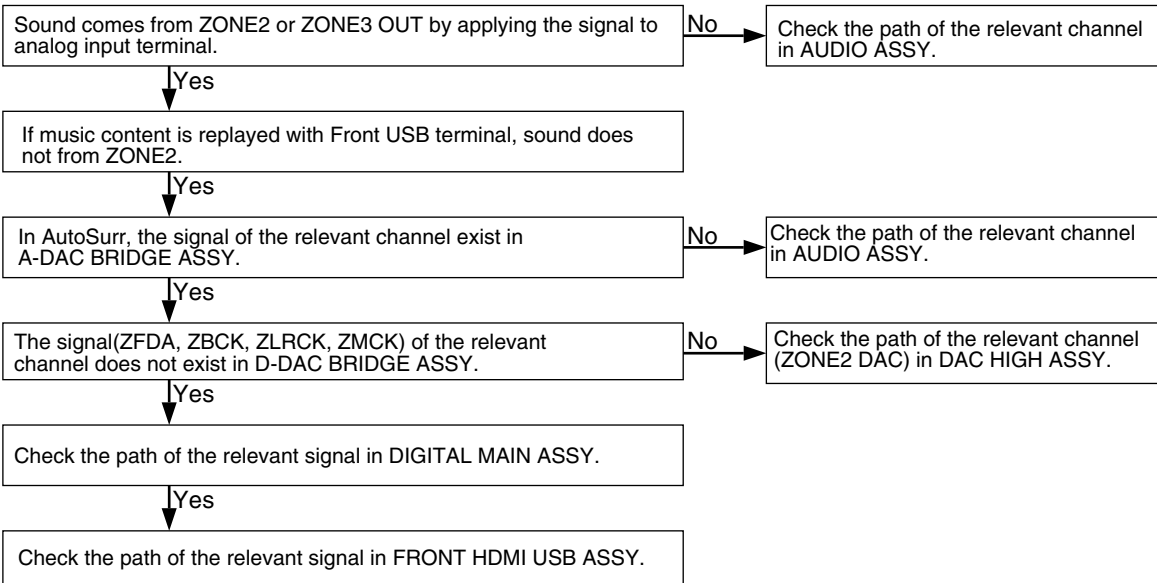
C



D

**■ No sound only from ZONE (Single channel - Check only the signal path of the relevant channel. Plural channels - There may be troubles with power source, control signals: MUTE, DET and others. Bad connection of cables and connectors should be also considered.)**  
**No sound only in ZONE SW - Check the relevant path in AUDIO ASSY.**

E



F

- **No sound only from FRONT USB terminal or only from MHL terminal (There may be troubles with the power source of circuit and control signals. Bad connection of cables and connectors should be also considered.)**

Check the path of the relevant signal in FRONT HDMI USB ASSY.

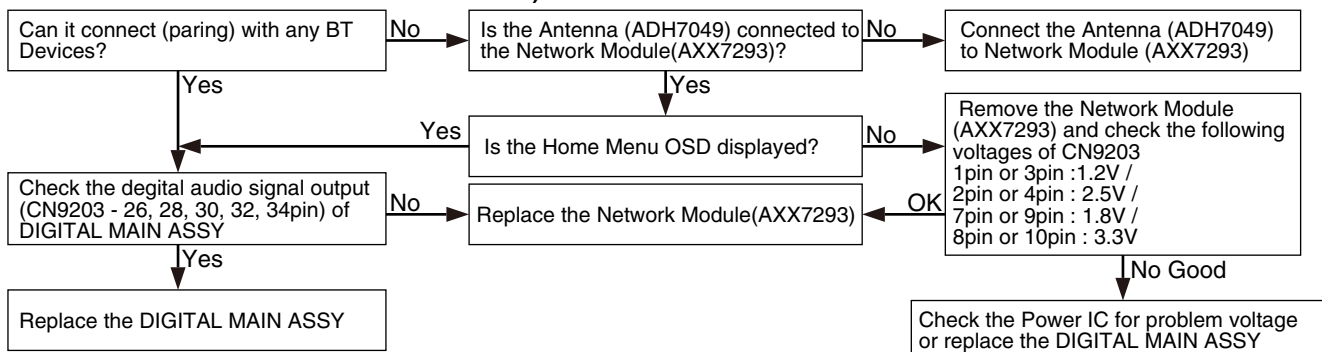
Yes

Check the path of the relevant signal in DIGITAL MAIN ASSY.

- **No sound only in HDMI, MEDIA SERVER and INTERNET RADIO (There may be troubles with the power source of circuit and control signals. Bad connection of cables and connectors should be also considered.)**

Check the path of the relevant signal in DIGITAL MAIN ASSY.

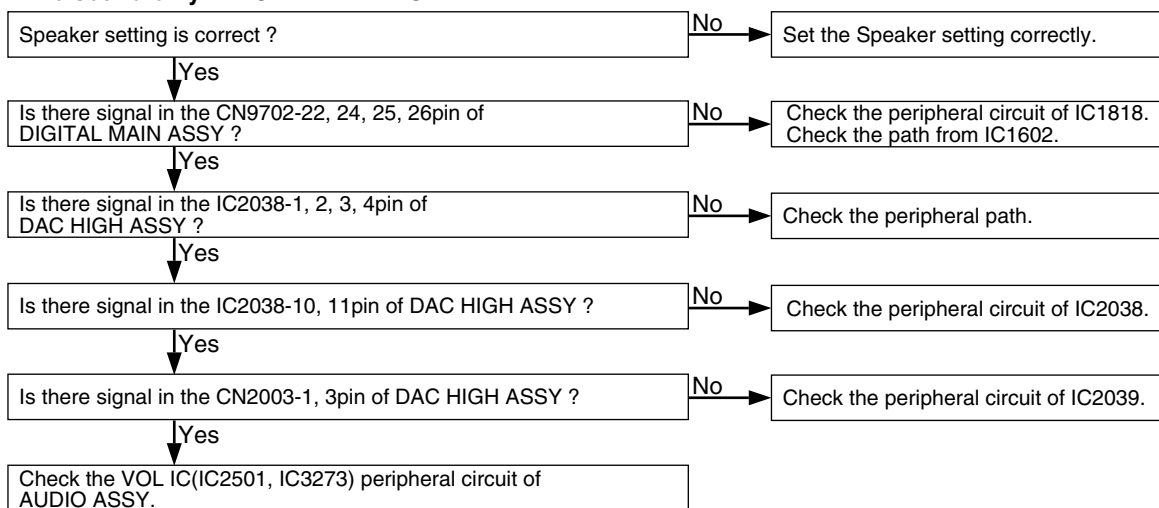
- **No sound only in BT (Single channel - Check only the signal path of the relevant channel. Plural channels - There may be troubles with power source, control signals: MUTE, DET and others. Bad connection of cables and connectors should be also considered.)**



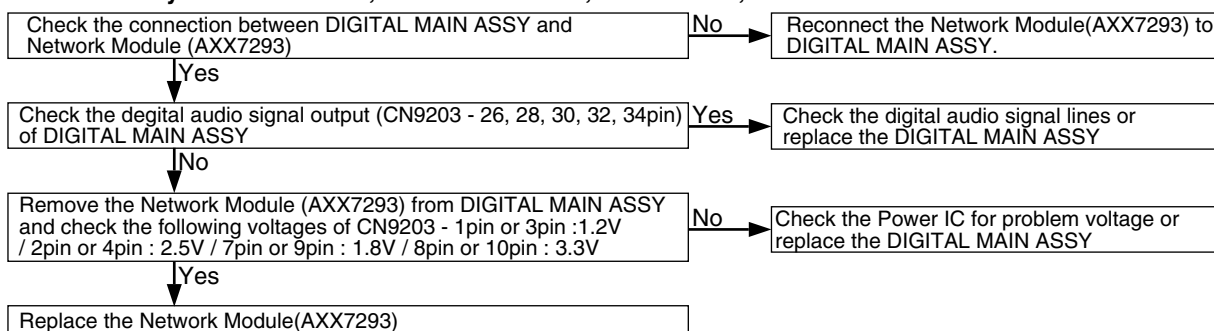
- **No sound only in tuner (There may be troubles with the power source of circuit and control signals. Bad connection of cables and connectors should be also considered.)**

Check the path of the relevant channel in AUDIO ASSY, and check TUNER MODULE.

- **No sound only in POWERD HD ZONE**

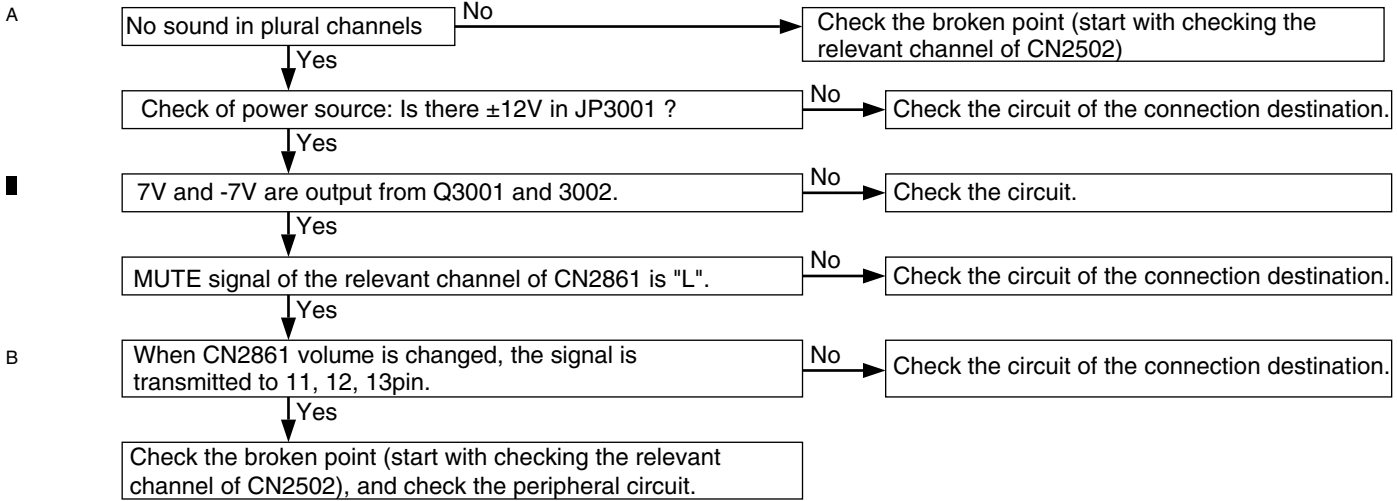


- **No sound by MEDIA SERVER, INTERNET RADIO, FRONT USB, BT and Wi-Fi**



# AUDIO ASSY DIAGNOSIS

## ■ No sound in plural input modes of speaker and Preout



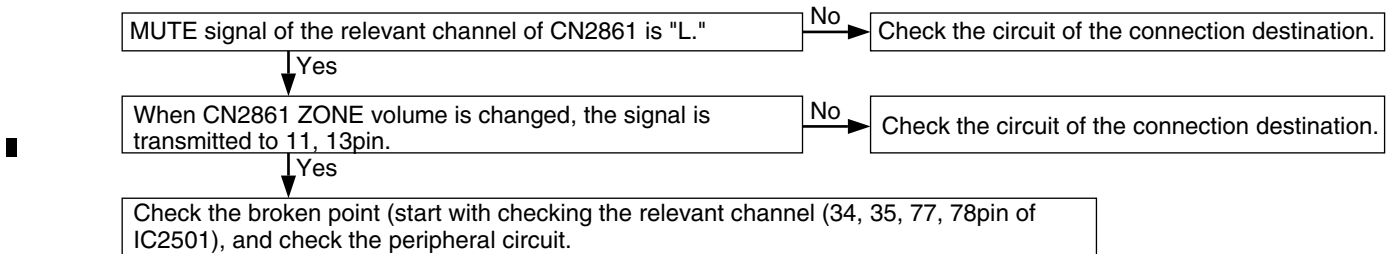
## ■ No sound only in analog input

Check the path from each input terminal to IC2501.

## ■ No sound only from HEADPHONES

Check the peripheral of IC2801.

## C ■ No sound only from ZONE 2 and ZONE 3 (Both of them, Either of them)



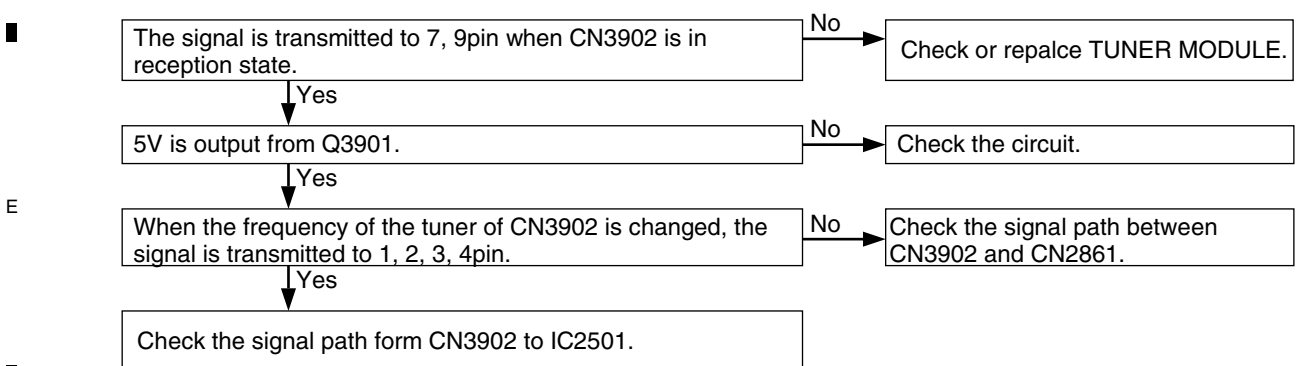
## ■ No sound only from ZONE 2 of FRONT USB

Check the path from 1, 3pin of CN2502 to IC2501.

## ■ No sound only in BT

Check the path from 18, 20pin of CN3001 to IC2501.

## ■ No sound only in Tuner



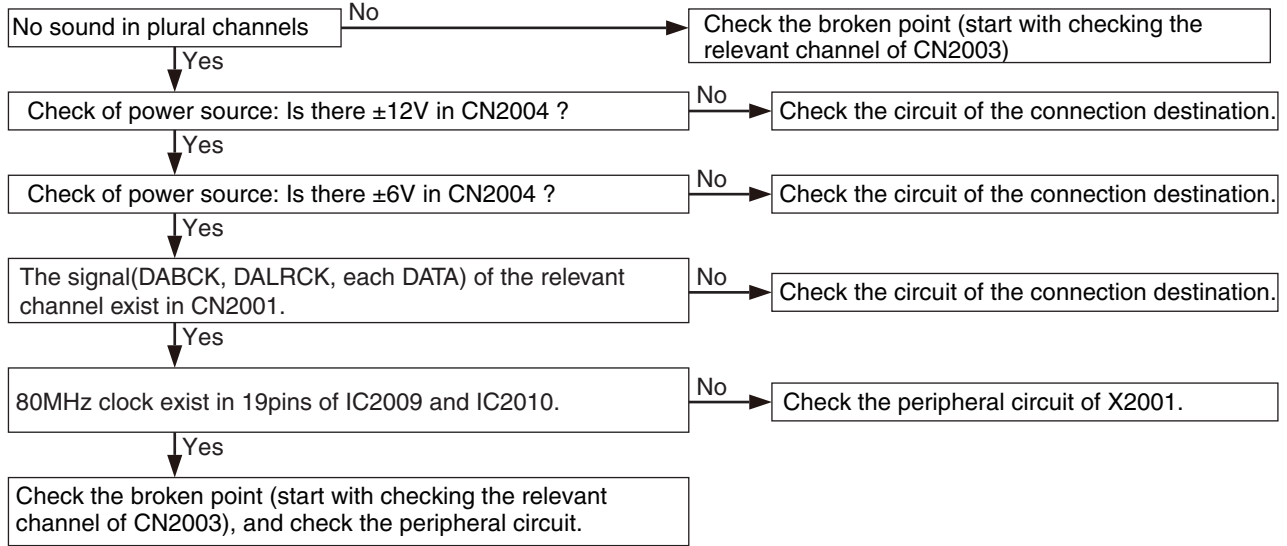
## ■ No sound only from DVR/BDR OUT

Check the path and circuit between IC2501 and JA2501.

F

# DAC HIGH ASSY DIGNOSIS

## ■ No sound from speakers and Preout in EXT STEREO



## ■ No sound only in COAX input or OPT input

Check the peripheral circuit of IC2003.

## ■ No sound only in analog input

Check the peripheral circuit of IC2027.

## ■ No sound only from ZONE 2 of FRONT USB

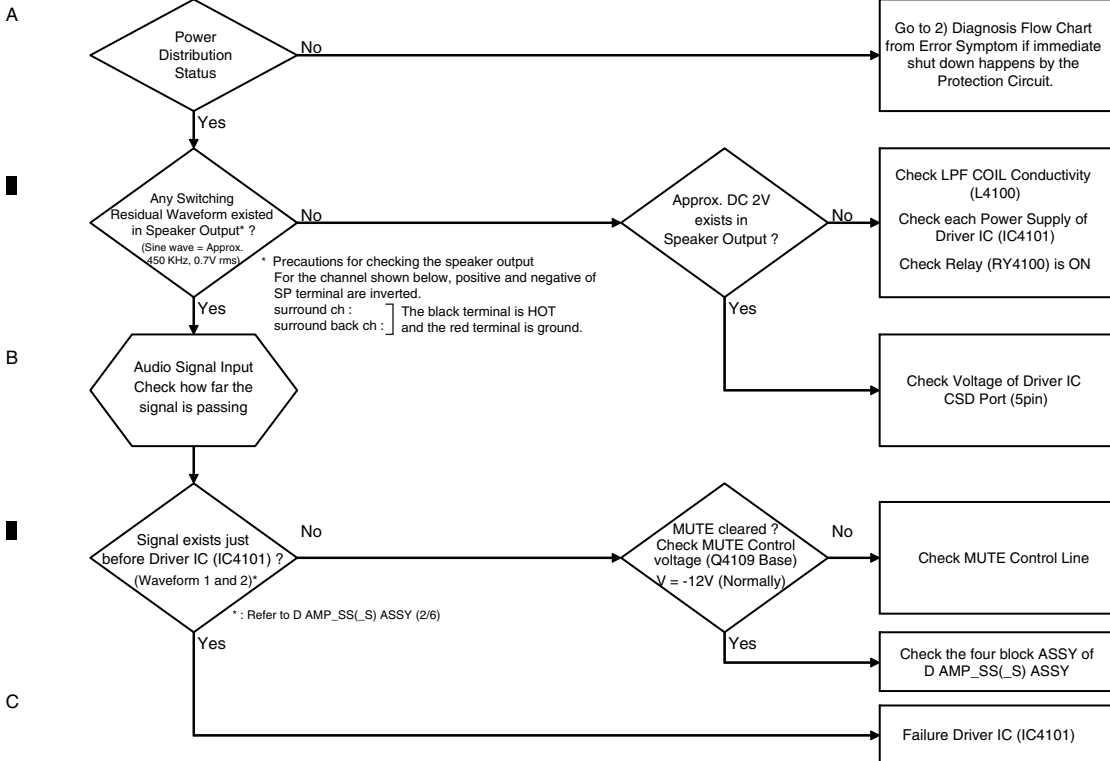
Check the peripheral circuit of IC2026.

## ■ No sound only in BT

Check the 14, 16pin of JA2010, the power source and control signals.

# DIGITAL AMP BLOCK FLOWCHART

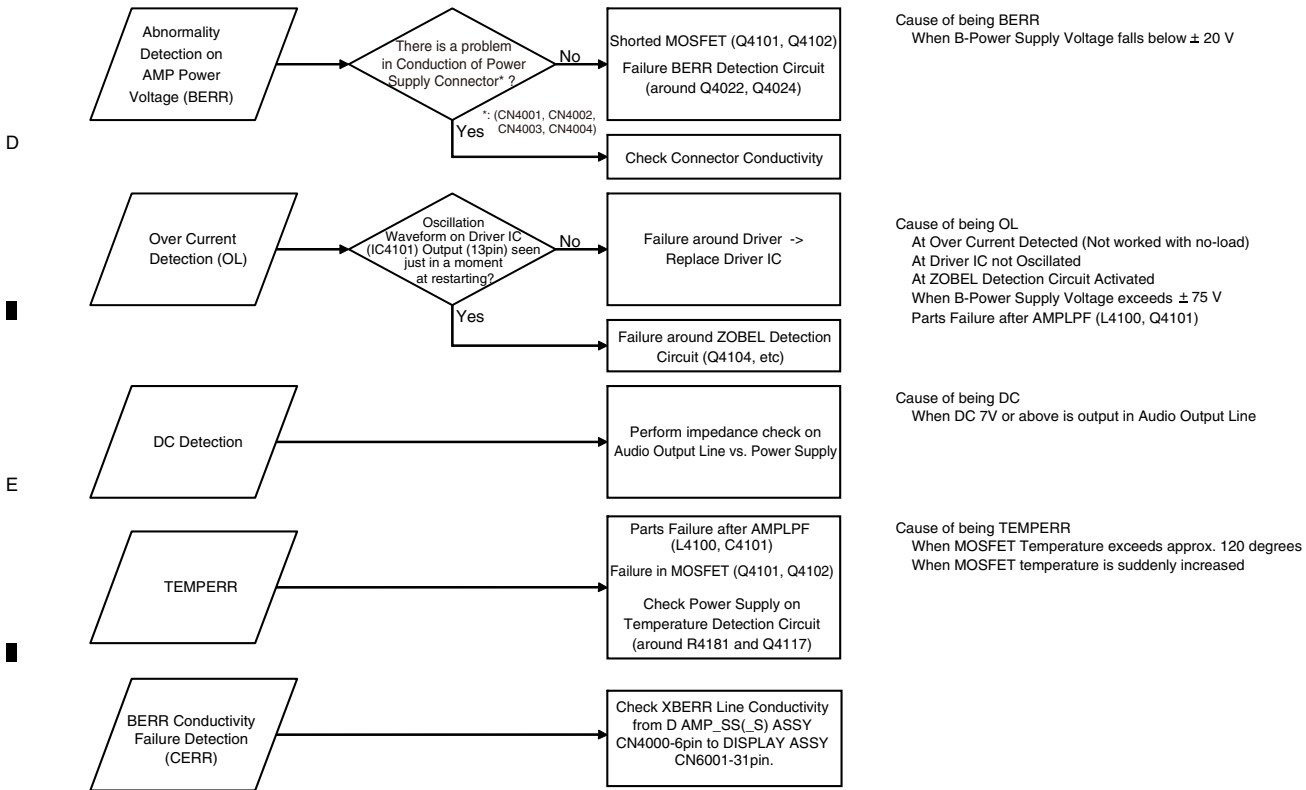
## 1) No Sound



NOTE : Wiring number listed is the example of Front L-ch

## 2) Diagnosis Flow Chart from Error Symptom

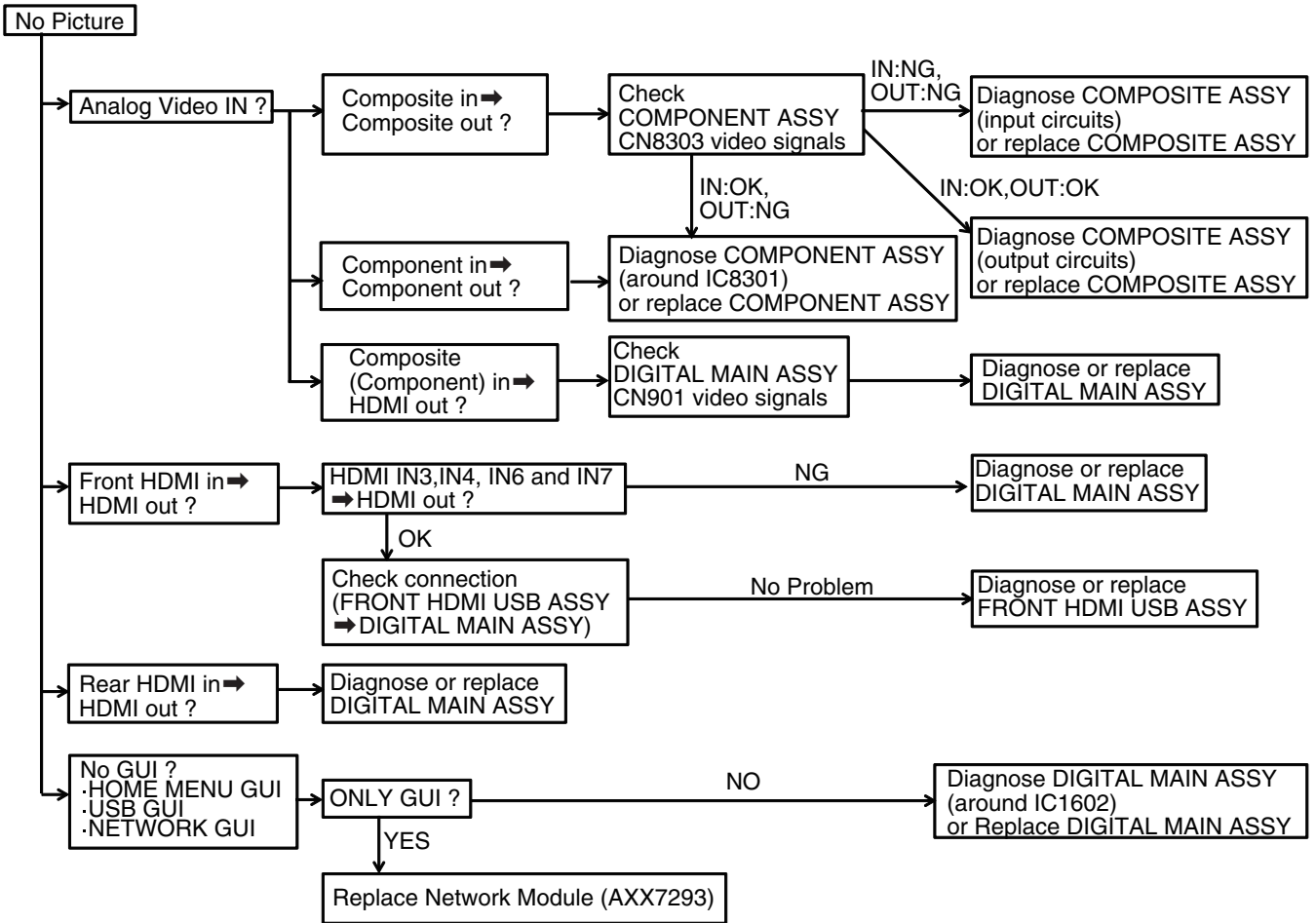
Failure locating method from error symptom is available as diagnosis after product shutdown. Diagnosis Flow Chart from error symptom due to Amplifier Section is shown here.





# NO PICTURE

This is just for general reference and does not including every single case.



In case of using 4K/60p-compatible TV and no picture.

The receiver's HDMI input terminals support the 4K/60p signal. However, there are two types of terminals as follows.

- Type 1: 4K/60p 4:4:4 24 bit signal (transmission speed up to 18 Gbps) can be transmitted: BD, DVD (HDMI IN 1), SAT (HDMI IN 2)
- Type 2: 4K/60p 4:2:0 24 bit signal can be transmitted (4K/60p 4:4:4 24 bit signal is not supported, transmission speed up to 10.2 Gbps): HDMI input terminals other than the above

NOTE: All input terminals are type 2 when HDZONE is turned on.

1. When a source device that does not support the 4K/60p 4:4:4 24 bit signal is connected to a type 1 terminal, the video image may become reddish, sound may not be output, or 3D signals may not be output for some devices. For such devices, try the following.

\*This is not a malfunction of the receiver.

- Connect the device to a type 2 terminal instead of the type 1 terminal.
- It is also possible to set all input terminals to type 2. Set the following "HDMI 4K/60p signal output setting" to "4:2:0".

2. When the video image is not output, is interrupted, or there is noise, the cause may be the HDMI cable. (Some HDMI cables do not support 4K/60p 4:4:4 24 bit signal transmission.) In such cases, set the following "HDMI 4K/60p signal output setting" to "4:2:0".

## HDMI 4K/60p signal output setting

Operation is performed on the front panel of the unit. You cannot perform the setting if the multizone function is not set to **MULTI ZONE OFF**.

**1 Switch the receiver into standby.**

**2 While holding down ENTER on the front panel, press  $\odot$  STANDBY/ON.**

The display shows **RESET◀ NO ▶**.

**3 Use  $\uparrow/\downarrow$  to select '4K/60p'.**

**4 Use  $\leftarrow/\rightarrow$  to select the signal to set.**

- 4:4:4 – Select this setting when connecting to a 4K/60p 4:4:4 24 bit compatible TV using HDMI. More high quality video images can be enjoyed.
- 4:2:0 – Select this setting when connecting to a 4K/60p 4:2:0 24 bit compatible TV using HDMI.

**5 When you're finished, press RETURN.**

**6 Press  $\odot$  STANDBY/ON to switch on the receiver and your TV.**

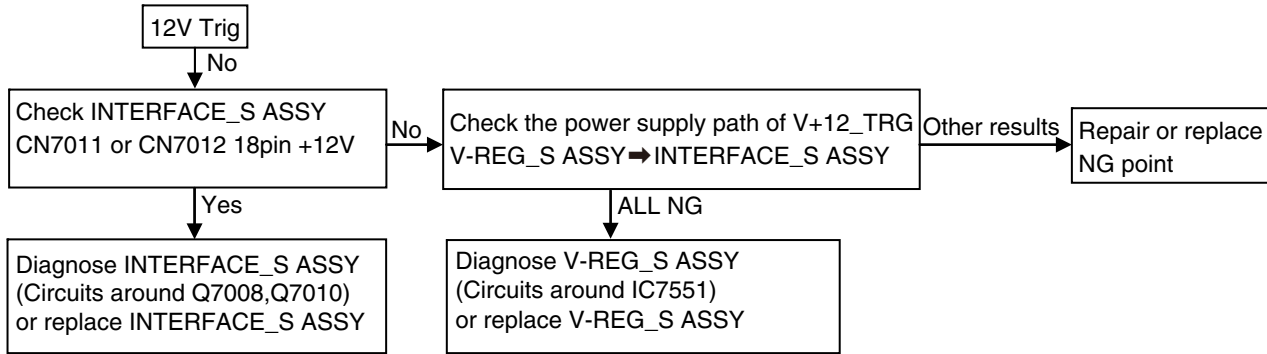
Make sure that the TV's video input is set to this receiver.

# OTHER

This is just for general reference and does not including every single case.

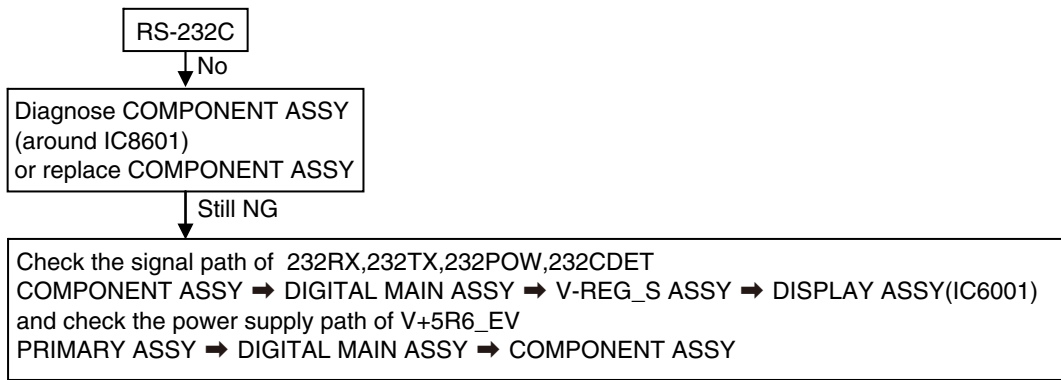
A

## 12V Trig



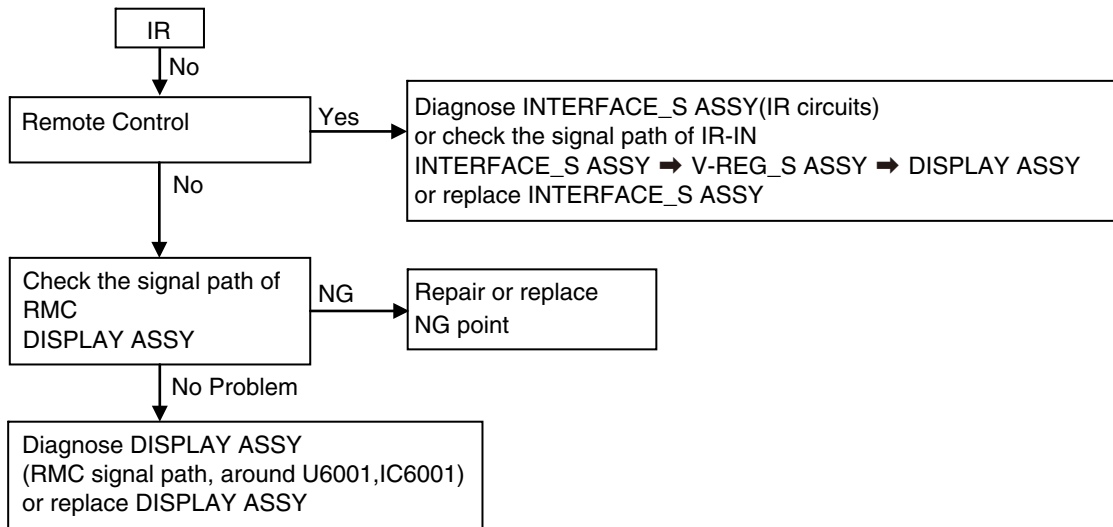
B

## RS-232C



C

## IR



D

E

F

## 5.2 CIRCUIT DESCRIPTION

### [1] Protection Circuit Process List

#### Amplifier Circuit

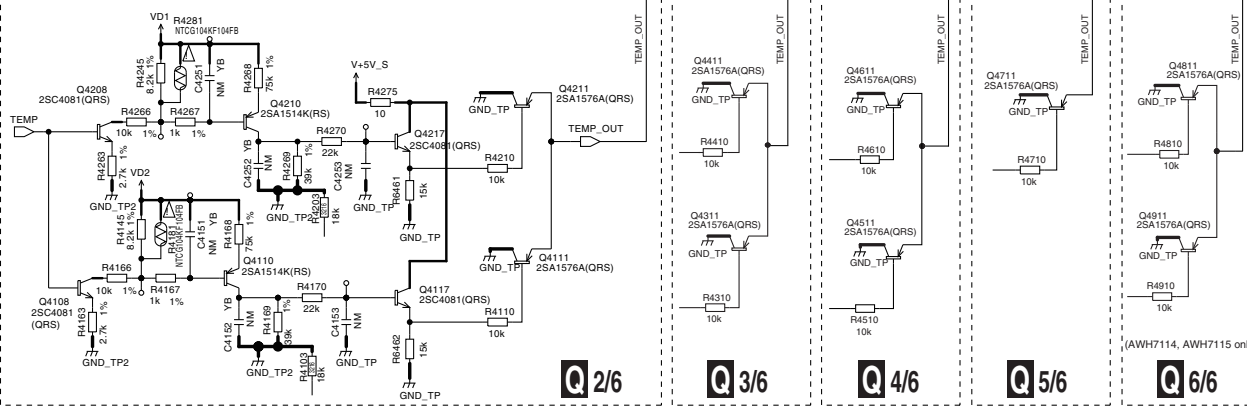
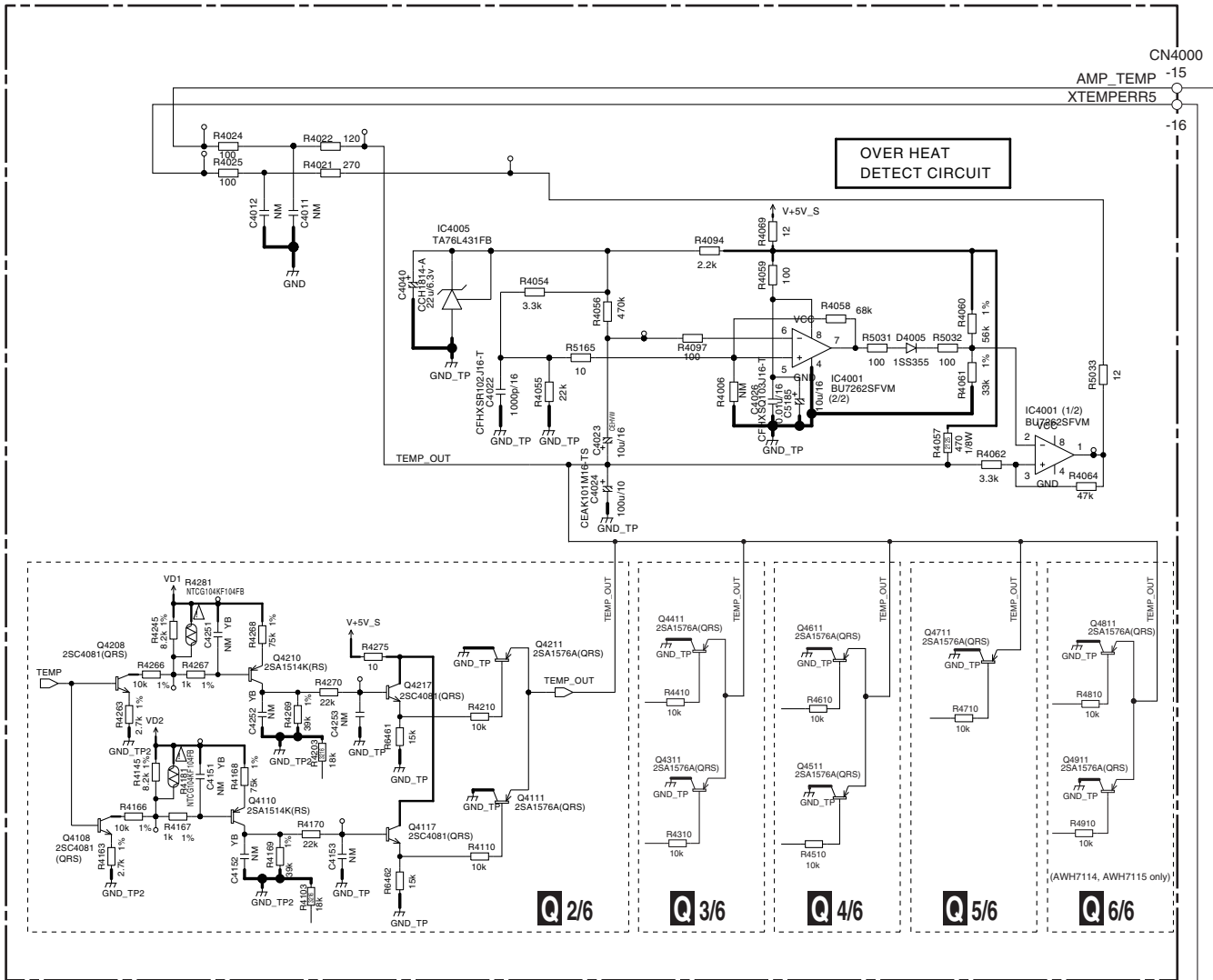
Item	Purpose	Detection Method	Status of Equipment	Warning Indication	Remarks
Overheat detection	Detects MOS FET temperature of amplifier output stage	Detects when TEMPERR5 port becomes "L" in case of the detecting temperature exceeds 120°C or rapid change by short circuit of speaker terminals. (IC6001 24pin)	Flashes "OVERHEAT" Shuts down when abnormality continues for more than 3 seconds.	Blinks FL OFF LED indicator.	Recoverable by power-on after shutdown in 1 minute.
		Detects when AMPTEMP port becomes below 1.6V at NTC Thermistor detect circuit. (IC6001 64pin)	Fan rotates by power-on.		AMPTEMP voltage [US Model Only] 5V-2.9V : FANLOW 2.9V or less : FANHIGH [Except US Model] 5V-3.8V : FANSTOP 3.8V-2.9V : FANLOW 2.9V or less : FANHIGH
DC detection	Detects DC of amplifier output (After LPF)	Detects when SP output exceeds DC $\pm$ 7V and XDCERR port becomes "L". (IC6001 21pin)	MUTE on and Speaker Relay off. Flashes "AMP ERR". Shuts down when abnormality continues for more than 3 seconds.	Blinks MCACC PRO LED	In case of detecting DC abnormality during power-on sequence after the DC was once detected. Recoverable by only DC DETECT cancel. Refer to "How to Enter Release Mode".
			MUTE on and Speaker Relay off. Flashes "AMP ERR". Shuts down when abnormality continues for more than 3 seconds.	Blinks FL OFF LED indicator.	In case of detecting DC abnormality during normal operation. Recoverable by power-on after 1 minute.
Zobel detection	Protects overcurrent by Zobel Resistance when high power output of higher frequency continued	Detects XOLERR port becomes "L". (IC6001 13pin)	Shuts down	Blinks Wireless LED	Recoverable by power-on
Overcurrent detection	Protects overcurrent of MOS FET in output stage when overcurrent flows at the output stage	Detects XOLERR port becomes "L". (IC6001 13pin)	Shuts down	Blinks Wireless LED	Recoverable by power-on
Amplifier Power Supply failure detection	Detects abnormal in the Amplifier Power Supply	Detects B-Power Supply Voltage exceeds $\pm$ 75V and XOLERR port becomes "L". (IC6001 13pin)	Shuts down	Blinks Wireless LED	Recoverable by power-on.
		Detects B-Power Supply Voltage falls below $\pm$ 20V and XBERR port becomes "L". (IC6001 75pin)		Blinks MCACC PRO LED	Recoverable by only DC DETECT cancel. Refer to "How to Enter Release Mode".
BERR conductivity failure detection	Detects XBERR line conductivity failure	Detects when XBERR port becomes "M". (approx. 2.5V) (IC6001 75pin)	Shuts down	Blinks Wireless LED	Recoverable by power-on.
Fan abnormality detection	Detects a Fan not rotating by loose connector or Fan lock when controlling the Fan rotation	Detects when XFANERR port becomes "L". (IC6001 28pin)	Flashes "FAN STOP" Shuts down when abnormality continues for more than 3 seconds.	Blinks Wireless LED	Recoverable by power-on

#### [How to Enter Release Mode]

During Standby mode, simultaneously press and hold the "TUNE [↓]" and "ZONE2 ON/OFF" keys for 5 seconds.

# Overheat Detection

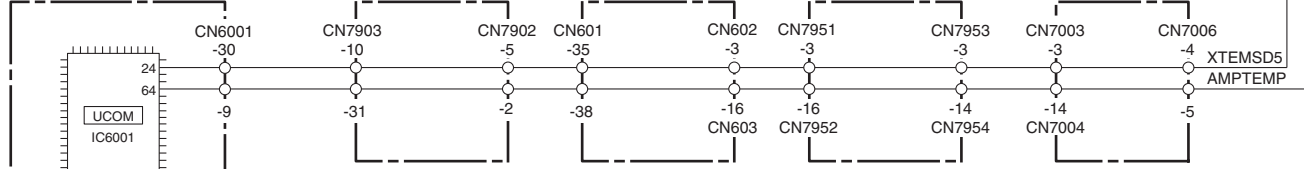
## Q D AMP\_SS(S) ASSY



## J DISPLAY ASSY

## E DIGITAL MAIN ASSY

## F INTERFACE\_S ASSY

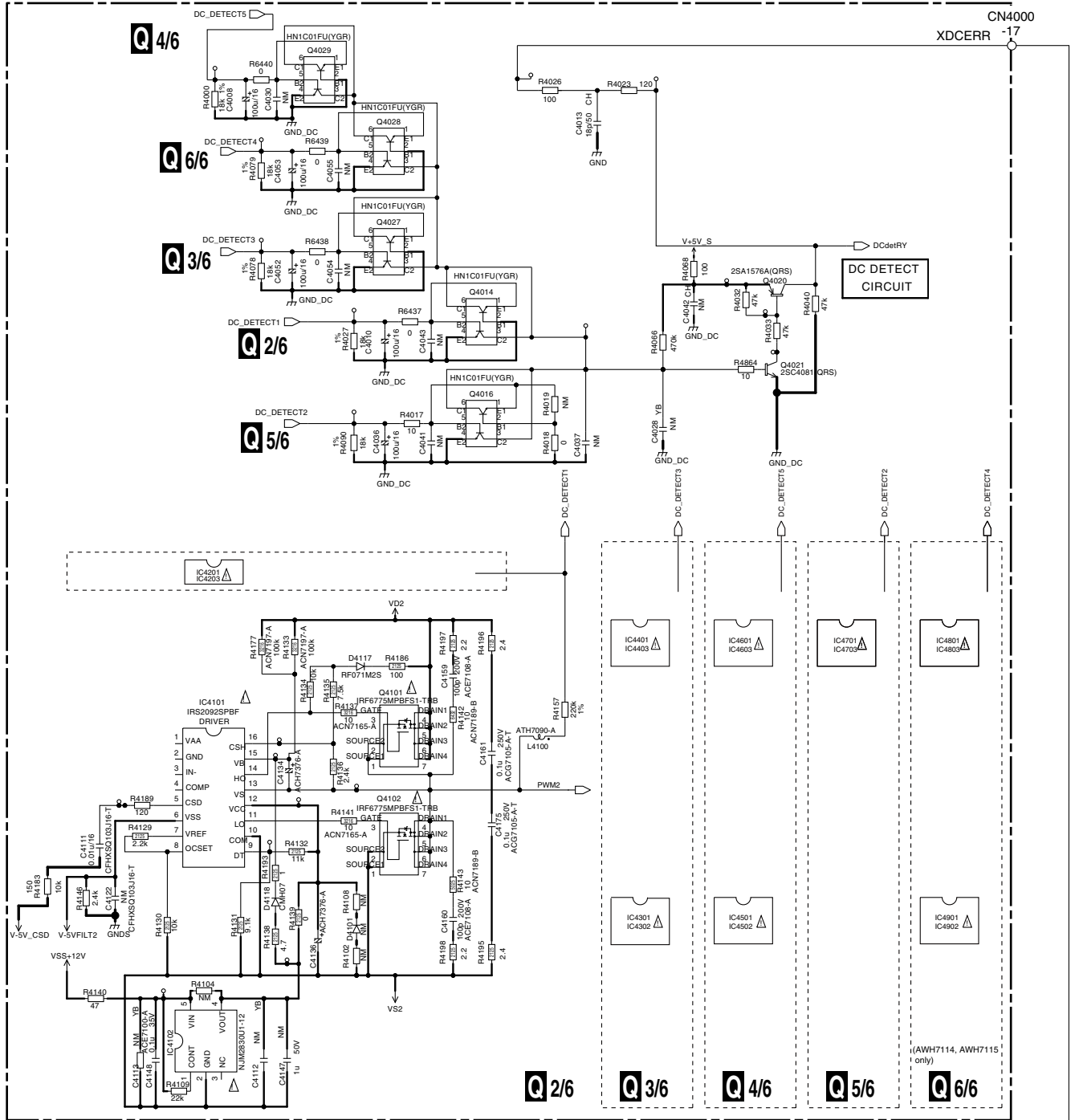


## U V-REG\_S ASSY

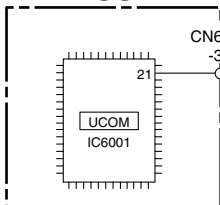
## W CONNECT\_S ASSY

### DC Detection

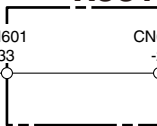
## Q D AMP\_SS(S) ASSY



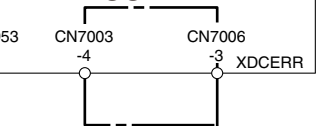
### J DISPLAY ASSY



### E DIGITAL MAIN ASSY



### F INTERFACE\_S ASSY



### U V-REG\_S ASSY



### W CONNECT\_S ASSY









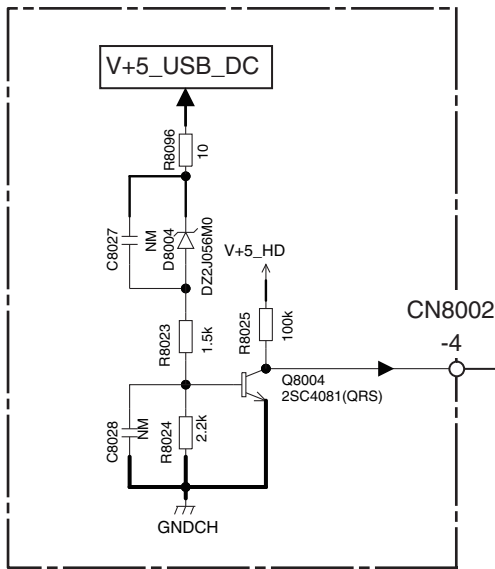


[2] Protection Circuit Process List (XVDDERR)

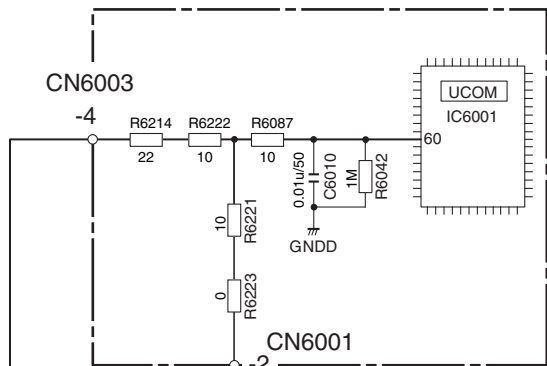
Item	Purpose	Detection Method	Status of Equipment	Warning Indication	Remarks
USB power failure detection	Detection of failure in regulator circuit for external supply	Detected when USB voltage reaches 7V or higher. XVDDERR port is set to "L" (IC6001 60pin)	Shuts down	Blinks Wireless LED	Restoration possible with Power ON
V+6_AD failure detection	Detection of failure in +6V power supply circuit for AD/DA converter	Detected when V+6_AD voltage reaches 3.8V or lower. XVDDERR port is set to "L" (IC6001 60pin)	Shuts down	Blinks Wireless LED	Restoration possible with Power ON
V+5_V over voltage protection	To protect an over voltage of +5V power supply for video IC	Detected when V+5_V voltage is over 6.6V. XVDDERR port is set to "L"(IC6001 60pin)	Shuts down	Blinks Wireless LED	

XVDDERR Circuit

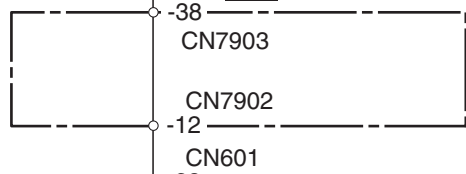
C FRONT HDMI USB ASSY



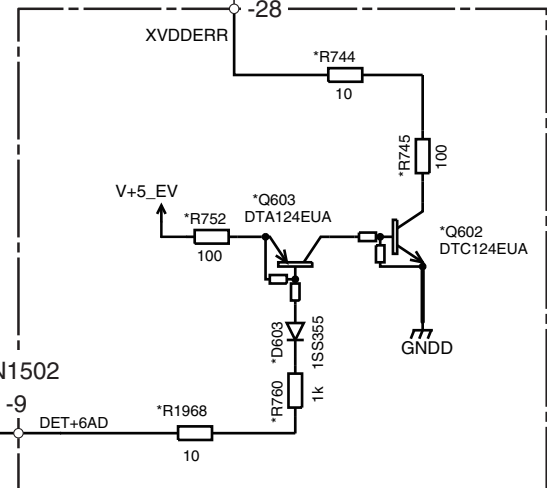
J DISPLAY ASSY



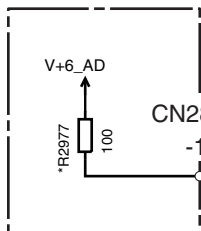
U V-REG\_S ASSY



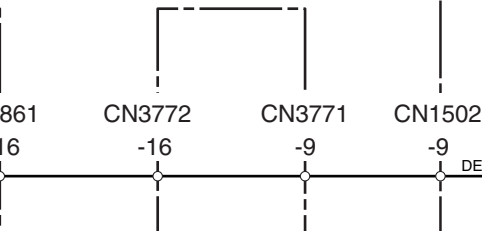
E DIGITAL MAIN ASSY



A AUDIO ASSY



Y D-AUDIO BRIDGE ASSY

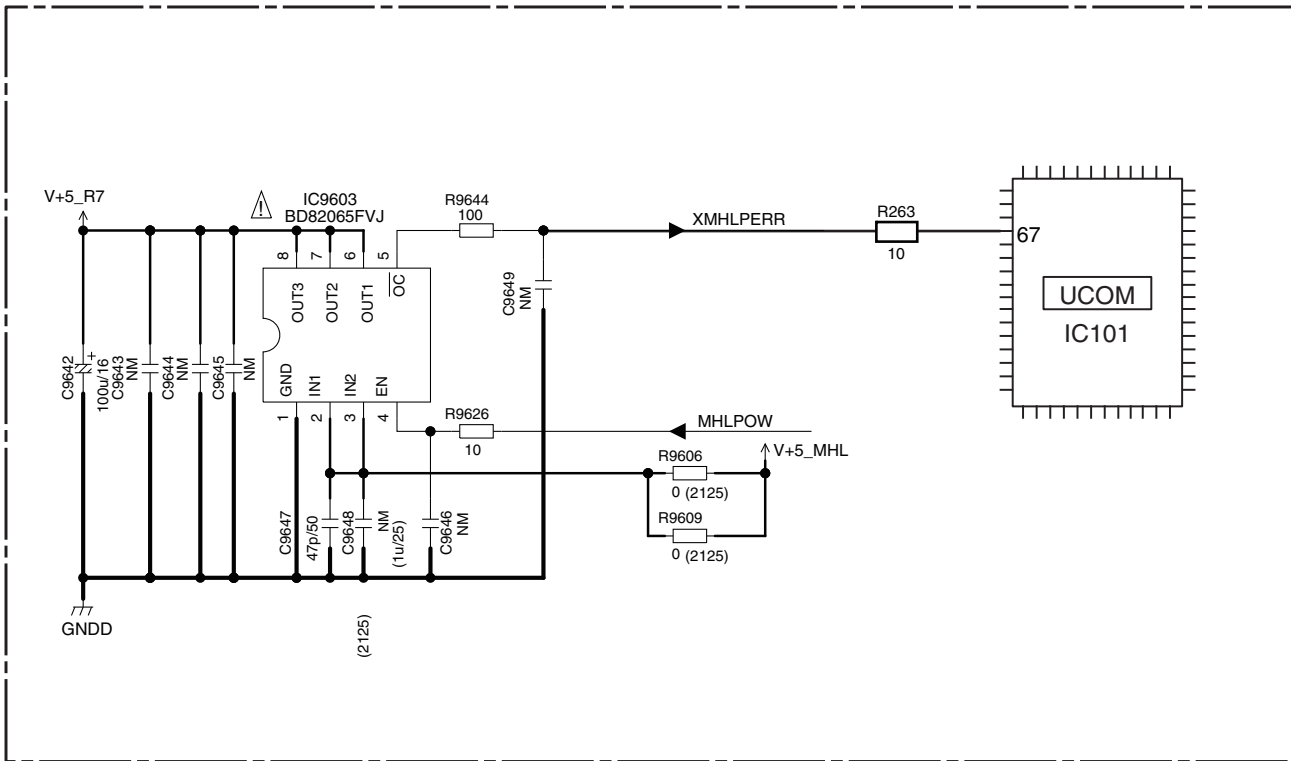


### [3] Protection Circuit Process List (XMHLPERR)

Item	Purpose	Detection Method	Status of Equipment	Warning Indication	Remarks
MHL Overcurrent detection	Detection of over-current in MHL power supply	IC9603 detects MHL circuit overcurrent and XMHLPERR port is set to "L".	Flashes "MHL POW ERR" and stops MHL power supply.		MHL power is not supplied until the MHL equipment is acknowledged after second power-on.

### XMHLPERR Circuit

## DIGITAL MAIN ASSY



#### [4] Error Indications

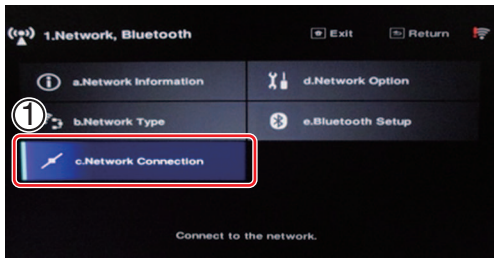
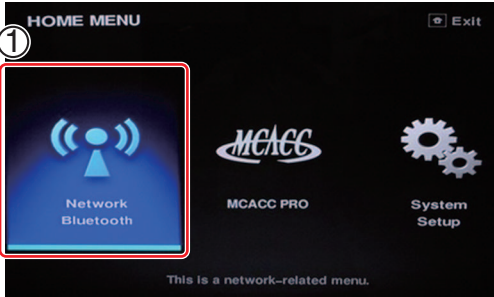
	FL Display	LED flashes	Status	Timing (sec.)	Description	Remarks
(1)	Over Current	NA	When the overload USB device (over 500 mA) is connected.		The connected USB device is overload.	
(2)	HDCP ERROR	NA	When an HDCP ERROR is detected.	Flashes 5 seconds		Warning indication for HDMI Simplay
(3)	12V TRG ERR	NA	When the 12V trigger circuit is short-circuited.	Flashes	The 12V trigger circuit is short-circuited, and a overcurrent is generated.	
(4)	UE11	NA	Update error of software for Event Ucom.	Flashing	Updating of Event Ucom was failed due to some reason such as AC OFF during updating. (The unit was starting up with old version)	Update Event Ucom again.
(5)	UE22	NA	Read error of DSP firmware.	Flashing	Updating of DSP firmware was failed due to some reason such as AC OFF during the updating. Or there's a possibility of communication error between DSP IC and flash ROM IC for DSP.	Update DSP firmware again. If the error still remains after updating, replace DIGITAL MAIN ASSY.
(6)	UE33	NA	Read error of Network Module firmware.	Flashing	Updating of Network Module firmware was failed due to some reason such as AC OFF during the updating. Or there's a possibility of communication error between Network Module and flash ROM IC for Network Module.	Update Network Module firmware again. If the error still remains after updating, replace Network Module (AXX7293).

## 5.3 CONFIRMATION OF THE NETWORK MODULE

Check if the set SSID of this unit is displayed on a device such as a PC or a smart phone, following the procedures shown below. If the SSID is displayed on the device, the antenna connections of the Network Module are normal. If the SSID is not displayed, check the antenna cable connections on the Network Module.

### Procedures:

① Press "Home Menu" button on a remote control and select "Network Connection" from the Network, Bluetooth menu on screen.



② Select "Wireless Direct" from the Network Connection menu.

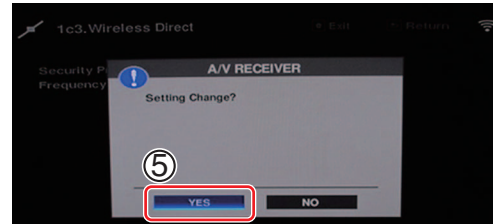


③ Select the encryption method to "None" with ← / → from Security Protocol.

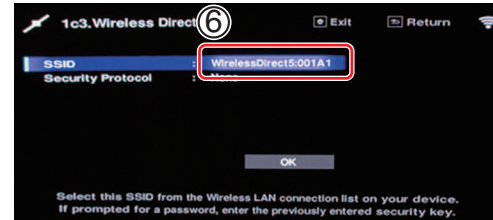


④ Select "Frequency Band" at ↓ and select the frequency to "2.4GHz".

⑤ Select "OK" then press ENTER. "Setting change?" window is displayed, then select "YES" and press ENTER.



⑥ Select the SSID shown on the screen of this unit. (e.g. WirelessDirectX: XXXXXX)



### How to Check on a PC Equipped with a Wireless LAN Device

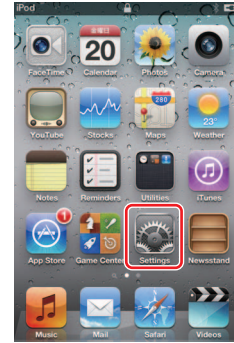
#### [Windows 7]

- ① Left-click on the wireless network icon on the system tray.
- ② Check that the above-mentioned SSID (WirelessDirectX:XXXXXX) is displayed on the list that appears.



### How to Check on a Smartphone (Example: iPod Touch)

- ① At the top screen of an iPod Touch, select Settings.



- ② Select Wi-Fi.



- ③ Check that the above-mentioned SSID (WirelessDirectX:XXXXXX) is displayed in the "Choose a Network" box.



# 6. SERVICE MODE

## [1] Detected protection history



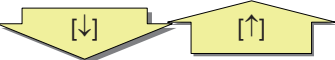


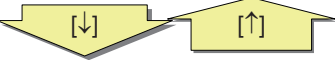

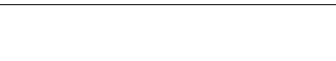
### [Purpose]

The numbers of detections for various protection processes are displayed.

### [How to enter/exit]

Turn off the power to this unit by setting the main volume level to “---dB” and Multi-zone to “OFF”.  
During Standby mode, simultaneously press and hold “ZONE2 ON/OFF” and “ENTER” keys for 5 seconds to enter this mode.

### [Basic operations]

Key operation	FL display
Display number of times DC is detected. 	DC : ***
Display number of times OVERLOAD is detected. 	OL : ***
Display number of times COMBINATION is detected. (Detects DC and OVERLOAD simultaneously) 	COM : ***
Display number of times FAN STOP is detected. 	FAN : ***
Display number of times AMP overheat is detected. 	STMP : ***
Display number of times Digital Power abnormality is detected. 	DERR : ***
Display number of times B REG power supply failure is detected. 	BERR : ***
Display number of times B REG conductivity failure is detected. 	CERR : ***

### Front Panel Key

- [↓] : TUNE Key
- [↑] : TUNE Key
- [←] : PRESET Key
- [→] : PRESET Key

Key operation	FL display
Resetting the number of times error is detected.	RESET ◀HOLD▶
[↓] [↑]	
Display accumulated time & RESET.	1 2 3 4 5 h 2 0 m ◀ HLD ▶
[↓] [↑]	
Display CEC(TEST) state.	CEC ◀OFF▶
[↓] [↑]	
Display FAN(TEST) state.	FAN ◀OFF▶
[↓] [↑]	
USB Backup state	USB BAK ◀HOLD▶
[↓] [↑]	

Resetting the number of times error is detected

Key operation	FL display
[←][→]	RESET ◀CLEAR?▶
[ENTER]	RESET ◀RESET▶
Continued	

A

Resetting the accumulated time

Key operation	FL display
[←][→]	1 2 3 4 5 h 2 0 m ◀CL?▶
[ENTER]	0 h 0 m ◀RST▶
Continued	

B

Display CEC(TEST) state.

Key operation	FL display
[←][→]	CEC ◀ON▶
Change cyclically	

C

Key operation	FL display
[←][→]	FAN ◀ON▶
Change cyclically	

Saving and Loading of USB backup state.

Key operation	FL display
[←][→]	(A/V Receiver → USB) USB BAK ◀SAVE?▶
[←][→]	(USB → A/V Receiver) USB BAK ◀LOAD?▶
Change cyclically	

D

Key operation	FL display
[ENTER]	PLEASE WAIT
SAVE or LOAD is completed.	COMPLETE
↓ 5-15 sec Power OFF (All zone OFF)	

E

F

	Key operation	FL display
A	Display Wireless disconnection judgement time	WLAN DC ◀ 3 min ▶
	[↓] [↑]	
	Display Model Name/Destination state.	SC-95/CUXJ SC-LX59/SYXJ8
B	[↓] [↑]	
	Change cyclically	

Selecting Wireless disconnection judgement time

Key operation	FL display
[←][→]	WLAN DC ◀ 5 min ▶
	↓
	<10min>, <15min>, <30min>
	↓
[←][→]	WLAN DC ◀ 60 min ▶
Change cyclically	

**[Description]**

CEC TEST : The function for making the HDMI output terminal to output 1 kHz square wave. If the square wave is output, the CEC line is considered to be normal.

FAN TEST : The function for making the FAN to be forced to rotate.

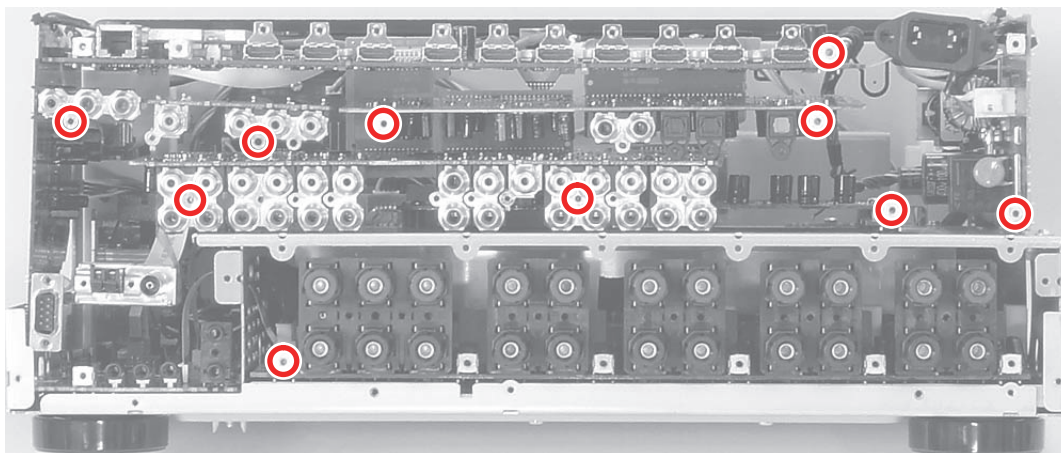


# 7. DISASSEMBLY

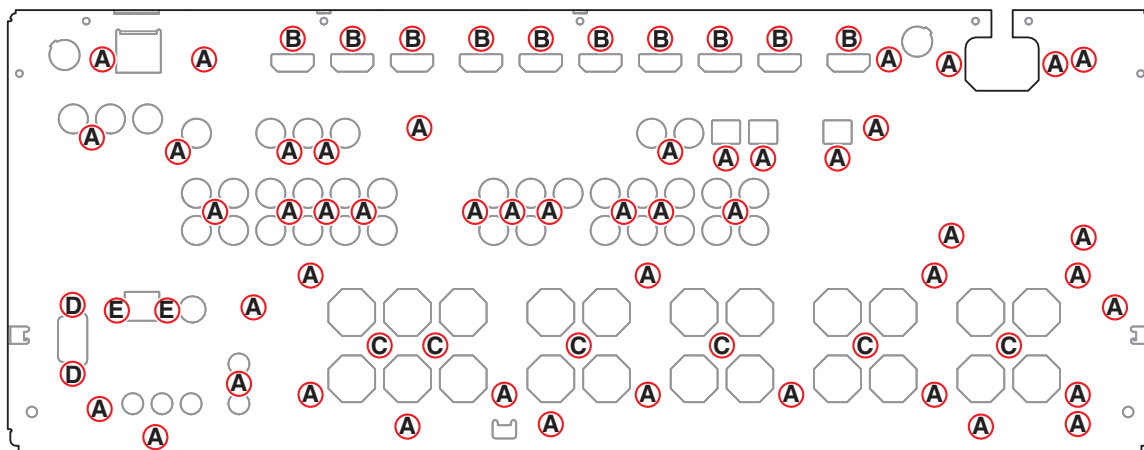
## Ground Points

### Note:

The points marked below must be grounded when the Rear Panel is removed. Before turning the unit ON, be sure to ground the marked points with the Chassis /65. Or, you may short-circuit the ground points on the solder surface, using pieces of wire.



## Screws for Rear Panel



**Note :**

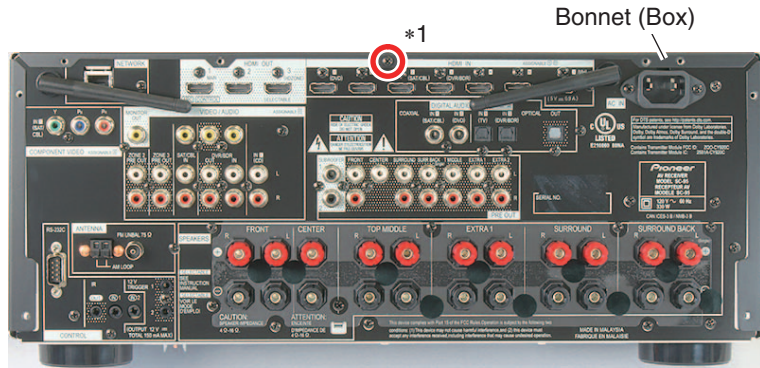
- (1) Even if the unit shown in the photos and illustrations in this manual may differ from your product, the procedures described here are common.
- (2) For performing the diagnosis shown below, the following jigs for service is required.
  - 15P FFC extension jig cable (GGD1680)
  - 29P board to board extension jig cable (GGD1856)
  - 5P board to board extension jig cable (GGD1857)
  - 5P PH Housing ASSY extension jig cable (GGD1594)
  - 4P PH Housing ASSY extension jig cable (GGD1809)
  - 24P board to board extension jig cable (GGD1871) x 2
  - 23P board to board extension jig cable (GGD1875)
  - 30P + 30P board to board extension jig cable (GGD1682)
  - 28P board to board extension jig cable (GGD1867)
  - 20P board to board extension jig cable (GGD1868)
- (3) **Before starting the diagnosis, wait for three minutes until the electricity of the unit is discharged.**

**Disassembly**

**[1] Front Section**

Remove the Bonnet (Box) by removing the 18 screws.

**Note on assembling as to the Bonnet (Box)**  
Tighten screw from the location \*1 on the photo.



**[1-1] Front Section**

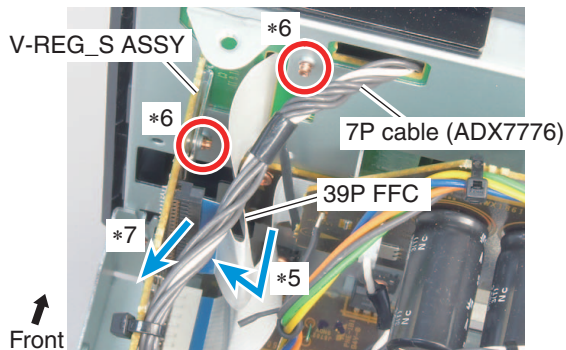
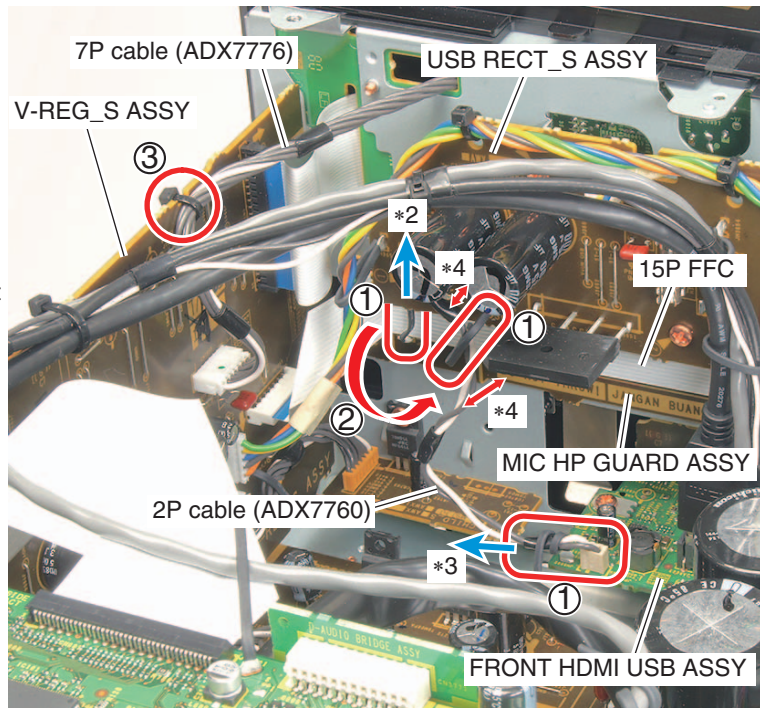
- (1) Release the cables from the three PCB binders.
- (2) Remove the 15P FFC (ADD7792) from the MIC HP GUARD ASSY and then move under the PCB binder.

**Note:** 15P FFC (ADD7792) is affixed with the Double Side Tape (10 x 110mm).

(3) Cut the Binder.

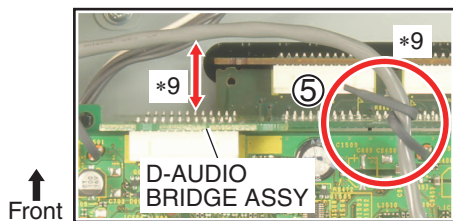
**Notes on assembling**

- \*2: PCB binder tilt in the direction of the blue arrow.
- \*3: Twist the PCB binder around the 2P cable (ADX7760) and tilt in the direction of the blue arrow.
- \*4: Doesn't touch the 2P cable (ADX7760) to the diode and capacitor.
- \*5: Bend the 39P FFC (ADD7796).
- \*6: Don't touch the cables to a top of screws.
- \*7: Pull the 7P cable (ADX7776) to the direction of the blue arrow and then fix the Binder.



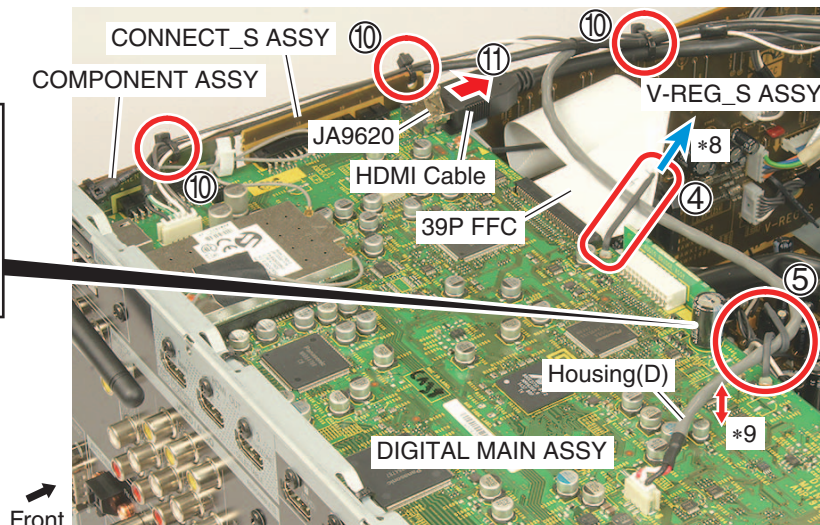


- (4) Release the cables from the PCB binder.
- (5) Release the Housing(D) (ADX7821) from the PCB binder.



#### Notes on assembling

- \*8: PCB binder tilt in the direction of the blue arrow.
- \*9: Twist the PCB binder around the Housing(D) (ADX7821), so that it doesn't touch to the DIGITAL MAIN ASSY, D-AUDIO BRIDGE ASSY and the Bonnet (Box).



- (6) Release the cables from the three PCB binders.

#### Notes on assembling

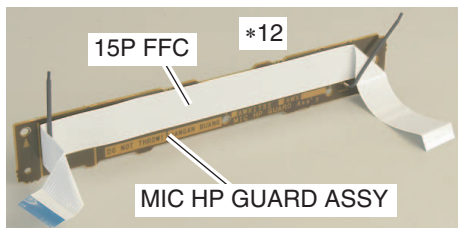
- \*10: PCB binder tilt in the direction of the blue arrow.
- \*11: Twist the PCB binders around the cables (direction of the blue arrow), so that they don't touch to the Fuse and the capacitor.

- (7) Disconnect the connector.
- (8) Remove the 15P FFC (ADD7792) from the MIC HP GUARD ASSY and then move under the PCB binder.

**Note:** 15P FFC (ADD7792) is affixed with the Double Side Tape (10 x 110mm).

#### Note on assembling

- \*12: How to bend the 15P FFC (ADD7792).

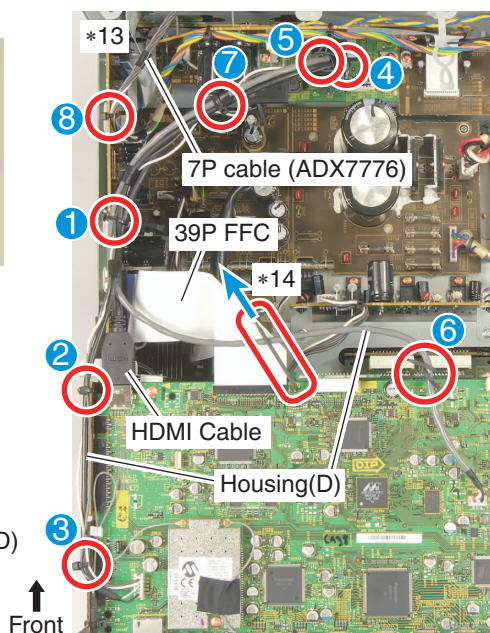
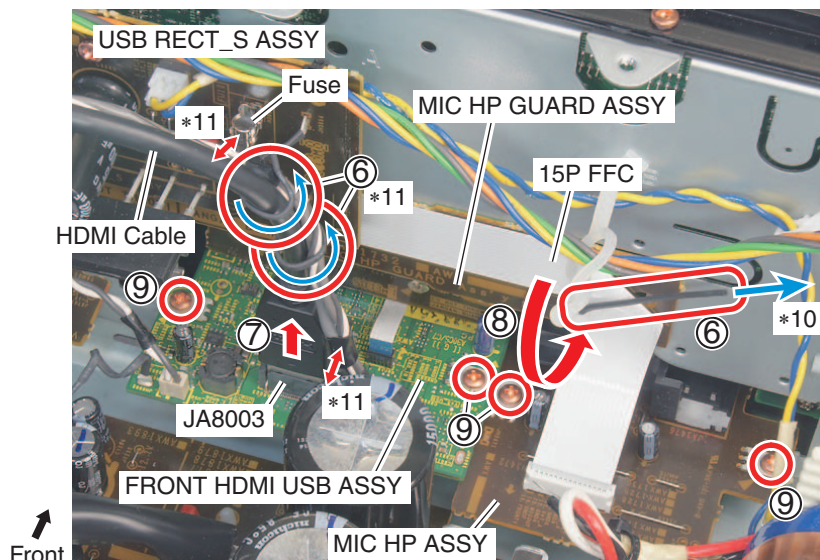


- (9) Remove the four screws. (BBZ30P060FCC)

- (10) Cut the three Binders.
- (11) Disconnect the connector.

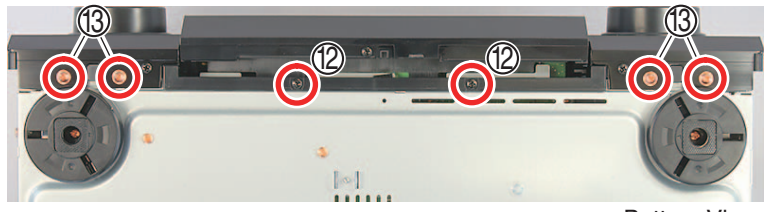
#### Notes on assembling

- \*13: Bind the HDMI Cable (ADX7732), Housing(D) (ADX7821) and the 7P cable (ADX7776) as numerical order of blue numbers.
- \*14: PCB binder tilt in the direction of the blue arrow.

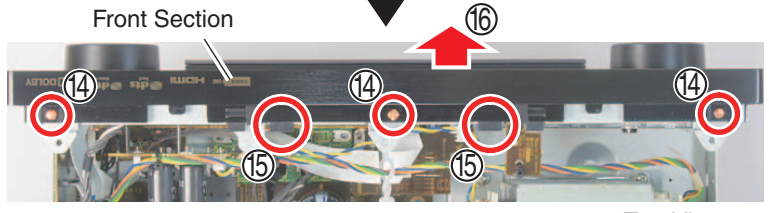




- (12) Remove the two screws.  
( SC-95/CUXJ : BBZ30P080FTB )  
( SC-LX59-K/SYXJ8 )
- (13) Remove the four screws. (ABA1193)

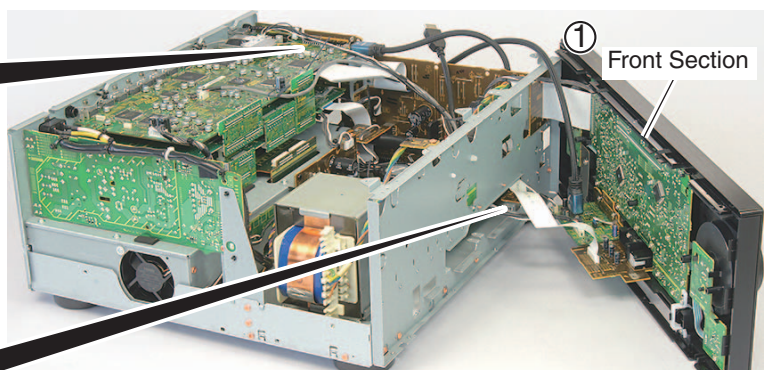
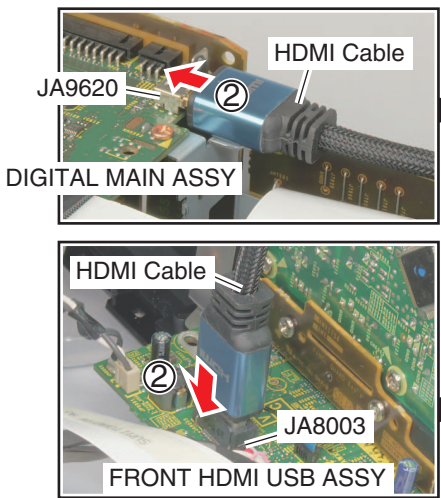


- (14) Remove the three screws. (BBT30P080FCC)
- (15) Unhook the two hooks.
- (16) Remove the Front Section.



**[1-2] Diagnosis**

- (1) Arrange the unit as shown in the photo.
- (2) Connect the another normal HDMI Cable to the DIGITAL MAIN ASSY and the FRONT HDMI USB ASSY.



**Note:** Always connect the HDMI Cable because the Wireless LED blinks, which causes a shutdown, if the power is turned on without the cable connected.

**[2] Rear Section**

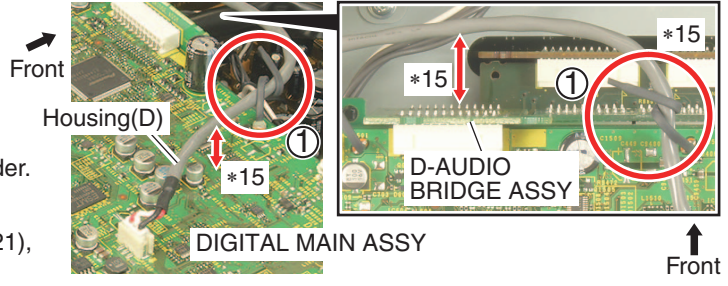
Remove the Bonnet (Box) by removing the 18 screws.

**[2-1] Rear Section**

- (1) Release the Housing(D) (ADX7821) from the PCB binder.

**Note on assembling**

\*15: Twist the PCB binder around the Housing(D) (ADX7821), so that it doesn't touch to the DIGITAL MAIN ASSY, D-AUDIO BRIDGE ASSY and the Bonnet (Box).



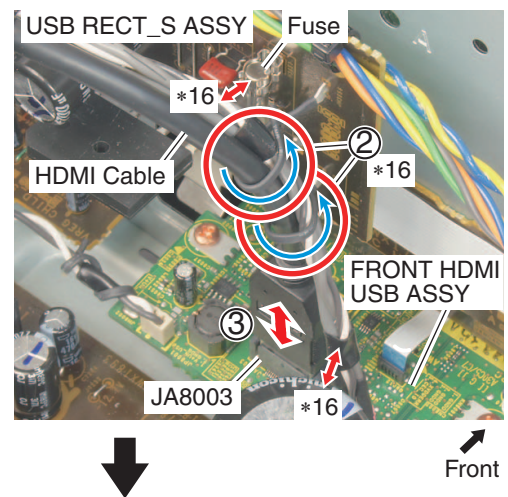
- (2) Release the cables from the two PCB binders.

**Note on assembling**

\*16: Twist the PCB binders around the cables (direction of the blue arrow), so that they don't touch to the Fuse and the capacitor.

- (3) Remove the HDMI Cable (ADX7732) by disconnect the connector, and then connect the another normal HDMI Cable.

**Note:** Don't connect the HDMI Cable (ADX7732) provided with the product to prevent damage to the HDMI connector for the DIGITAL MAIN ASSY. Instead, use the another normal HDMI Cable to prevent a load from being applied to the HDMI connector. Always connect the HDMI Cable because the Wireless LED blinks, which causes a shutdown, if the power is turned on without the cable connected.

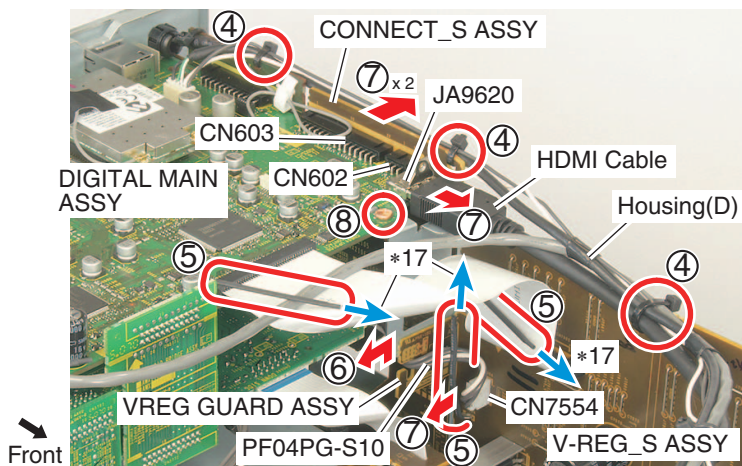


- (4) Cut the three Binders.
- (5) Release the cables from the three PCB binders.

**Note on assembling**

\*17: PCB binders tilt in the direction of the blue arrow.

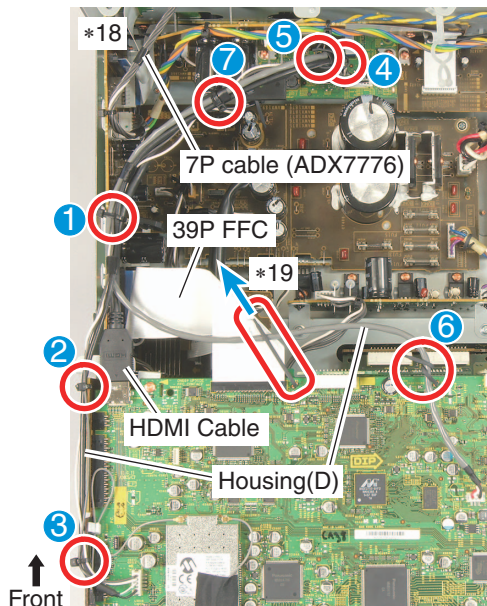
- (6) Release the cable (PF04PG-S10) from hook of the VREG GUARD ASSY.
- (7) Disconnect the four connectors.
- (8) Remove the screw. (BBZ30P060FCC)



**Notes on assembling**

\*18: Bind the HDMI Cable (ADX7732) and the Housing(D) (ADX7821) as numerical order of blue numbers.

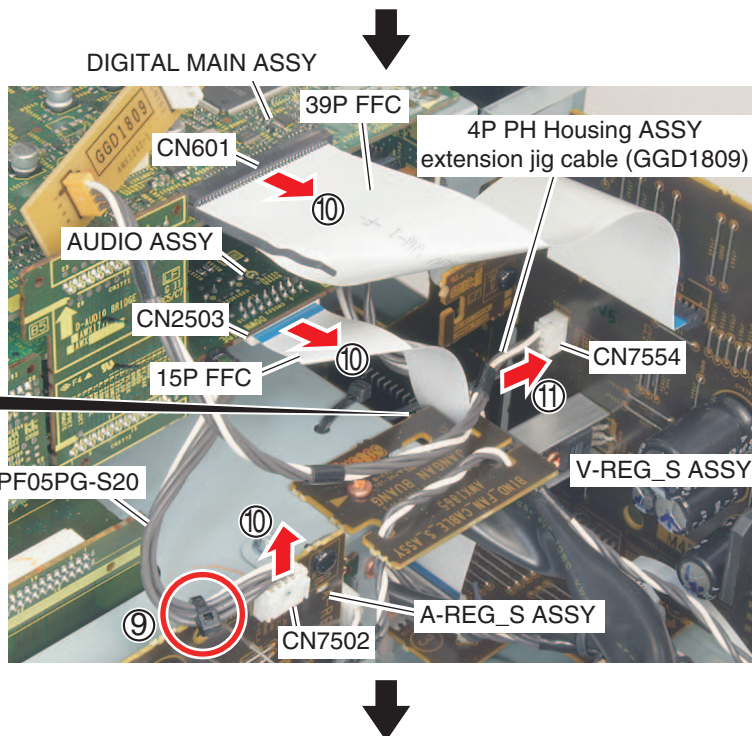
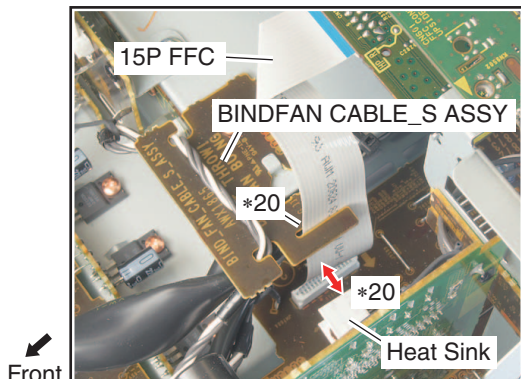
\*19: PCB binder tilt in the direction of the blue arrow.



- (9) Cut the Binder.
- (10) Disconnect the three connectors.
- (11) Connect the 4P PH Housing ASSY extension jig cable. (GGD1809)

**Note on assembling**

\*20: 15P FFC (ADD7790) pass to the slit of the BINDFAN CABLE\_S ASSY, so that it doesn't touch to the other cables and the Heat Sink.





(12) Release the 7P cable (ADX7812) from the PCB binder.

(13) Remove the PRE BRIDGE\_S ASSY.

**Note on assembling**

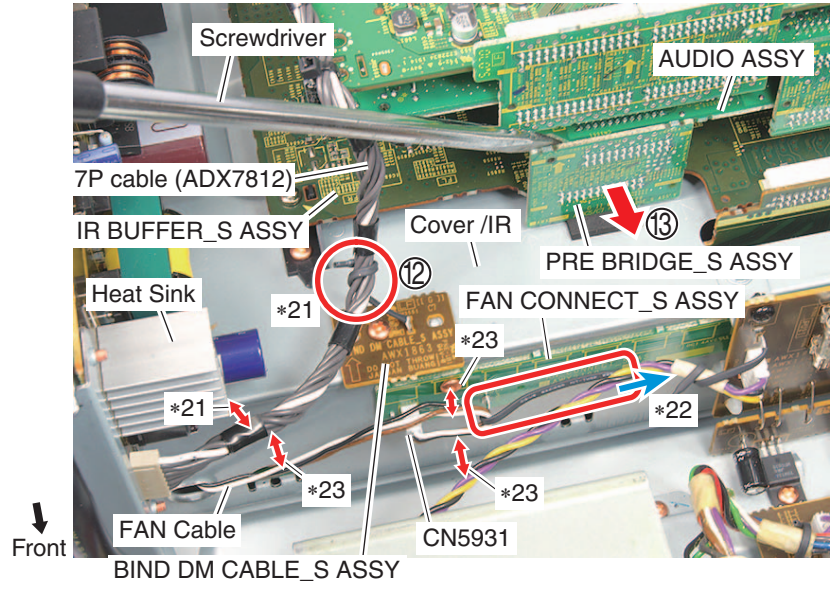
\*21: Twist the PCB binder around the 7P cable (ADX7812), so that it doesn't touch to the Heat Sink, capacitor and the Cover /IR.

**Note:** When diagnosing, it is not necessary to connect FAN Cable (FAN CONNECT\_S ASSY: CN5931).

**Notes on assembling**

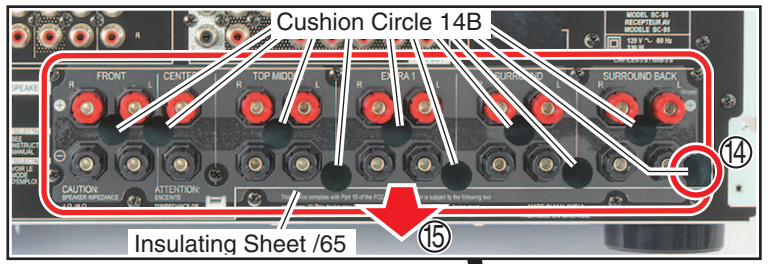
\*22: PCB binder tilt in the direction of the blue arrow.

\*23: Doesn't touch the FAN Cable to the other cables and screws.



(14) Remove the Cushion Circle 14B.

(15) Remove the Insulating Sheet /65 (with the nine Cushion Circle 14Bs).



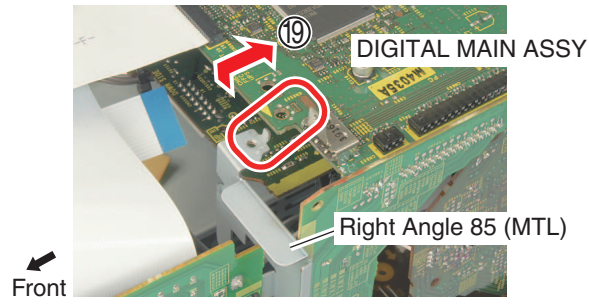
(16) Remove the six screws. (BPZ30P100FTC)

(17) Remove the 23 screws. (BBZ30P080FTB)

(18) Remove the AC Inlet.

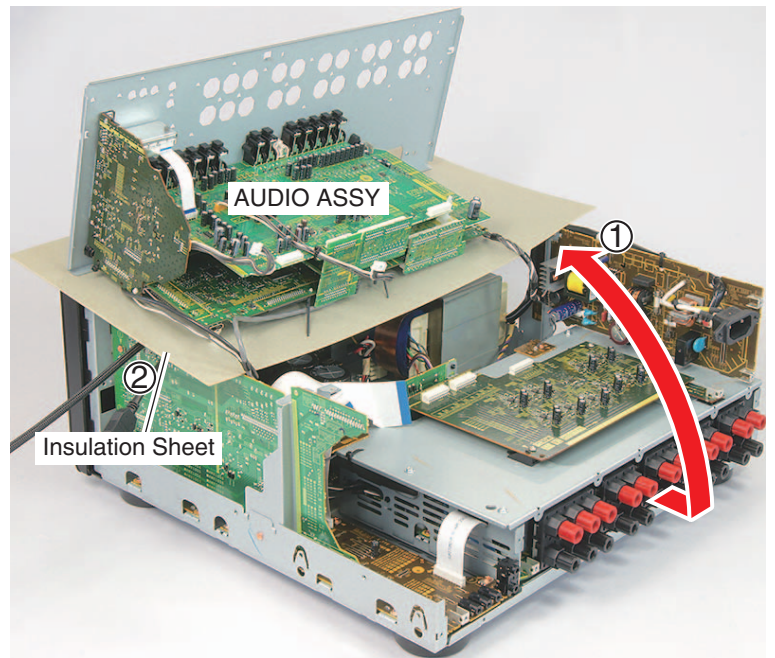


(19) Unhook the hook.

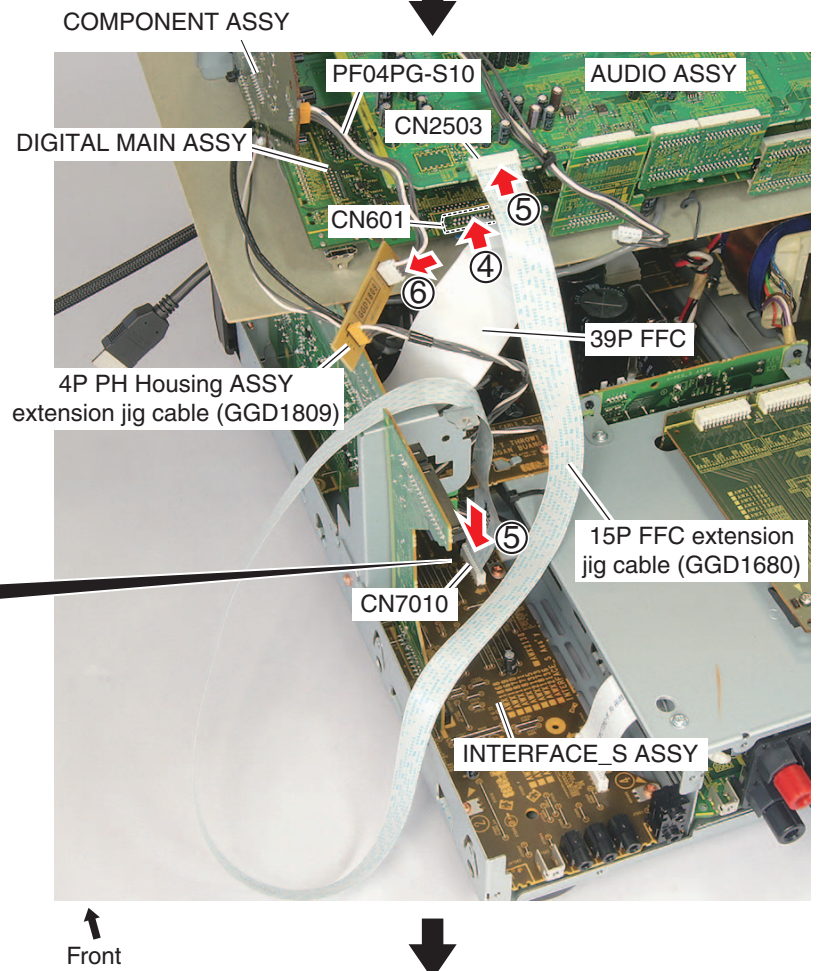
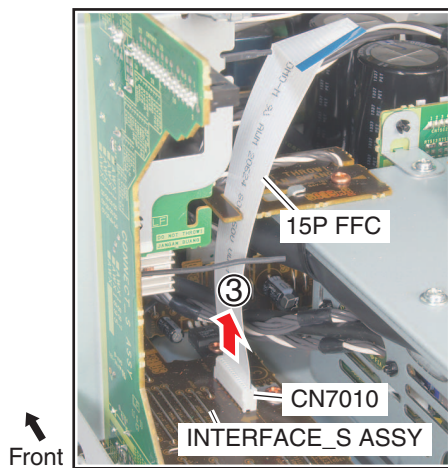


## [2-2] Diagnosis

- (1) Arrange the unit as shown in the photo.
- (2) Insert the Insulation Sheet.



- (3) Remove the 15P FFC (ADD7790) by disconnect the connector.
- (4) Connect the connector.
- (5) Connect the 15P FFC extension jig cable. (GGD1680)  
(INTERFACE\_S CN7010 <-> AUDIO CN2503)
- (6) Connect the 4P PH Housing ASSY extension jig cable. (GGD1809)  
(V-REG\_S CN7554 <-> COMPONENT PF04PG-S10)



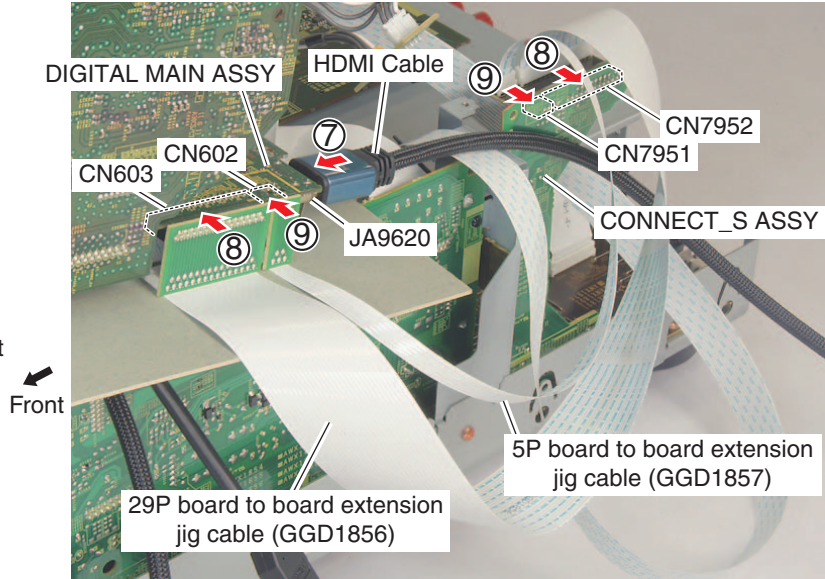


(7) Connect the another normal HDMI Cable from the FRONT HDMI USB ASSY.

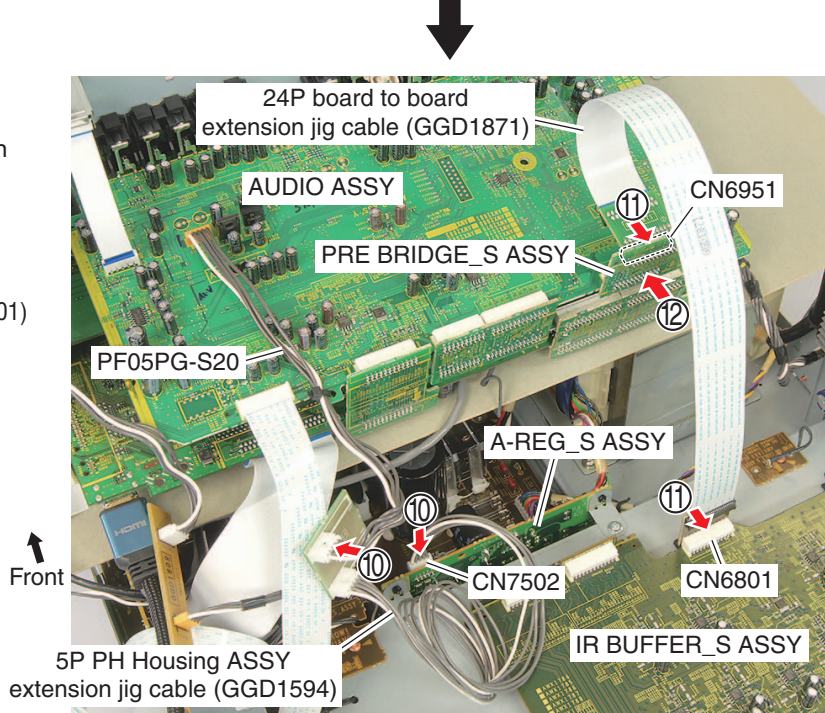
**Note:** Don't connect the HDMI Cable (ADX7732) provided with the product to prevent damage to the HDMI connector. Instead, use the another normal HDMI Cable to prevent a load from being applied to the HDMI connector.

Always connect the HDMI Cable because the Wireless LED blinks, which causes a shutdown, if the power is turned on without the cable connected.

- B (8) Connect the 29P board to board extension jig cable. (GGD1856)  
(DIGITAL MAIN CN603 <-> CONNECT\_S CN7952)
- (9) Connect the 5P board to board extension jig cable. (GGD1857)  
(DIGITAL MAIN CN602 <-> CONNECT\_S CN7951)

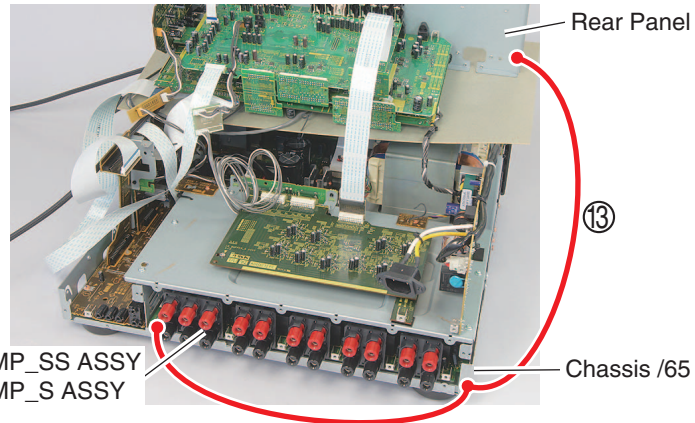


- C (10) Connect the 5P PH Housing ASSY extension jig cable. (GGD1594)  
(A-REG\_S CN7502 <-> AUDIO PF05PG-S20)
- (11) Connect the 24P board to board extension jig cable. (GGD1871)  
(PRE BRIDGE\_S CN6951 <-> IR BUFFER\_S CN6801)
- (12) Attach the PRE BRIDGE\_S ASSY to the AUDIO ASSY.



(13) Connect the Rear Panel to the Chassis /65 Ground and GND point of the D AMP\_SS ASSY or D AMP\_S ASSY. (Refer to the "Ground Points" for the GND point of the D AMP\_SS ASSY or D AMP\_S ASSY.)

SC-95/CUXJ: D AMP\_SS ASSY  
SC-LX59-K/SYXJ8: D AMP\_S ASSY  
SC-LX59-S/SYXJ8



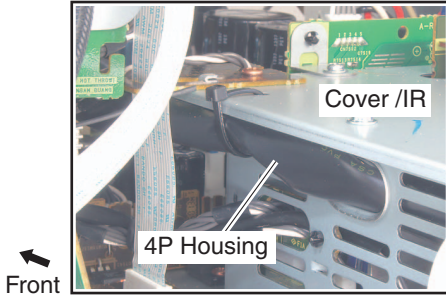


### [3] D AMP\_SS ASSY or D AMP\_S ASSY

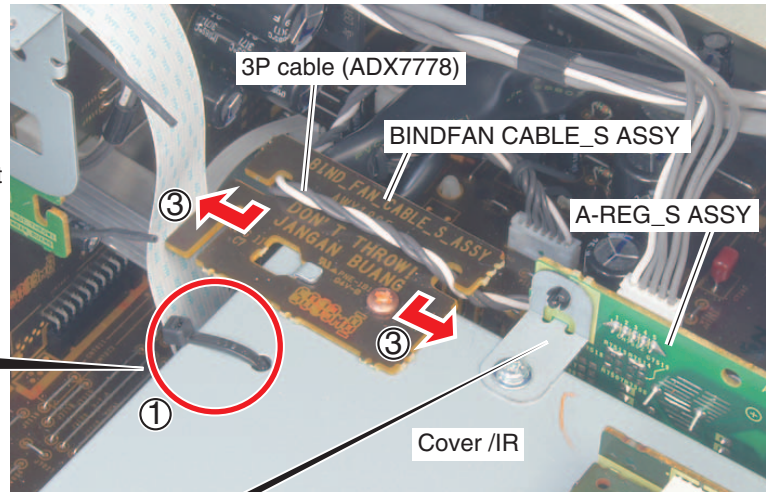
Remove the Rear Section.  
(Refer to the "[2-1] Rear Section" and the step (1) to (10) of "[2-2] Diagnosis".)

#### [3-1] Remove the Cover /IR

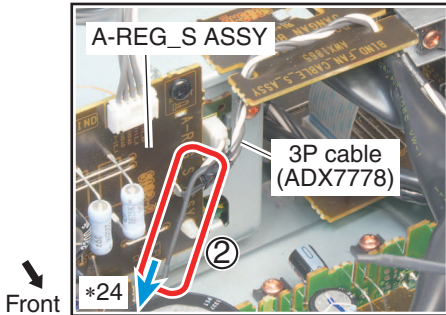
(1) Cut the Binder.



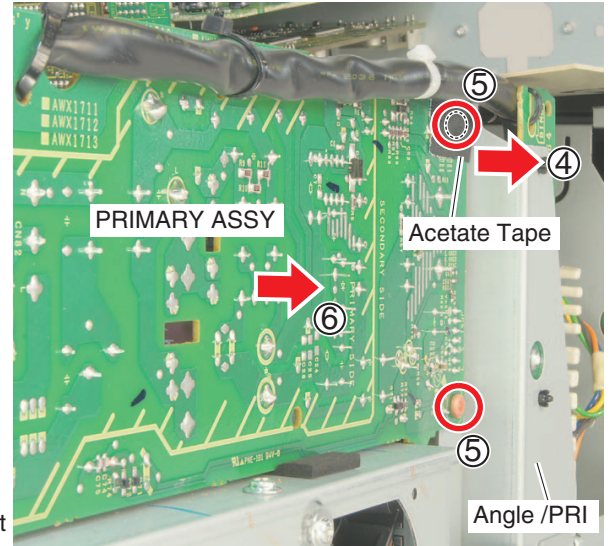
Front



(2) Release the 3P cable (ADX7778) from the PCB binder.



Front



Front

#### Note on assembling

\*24: PCB binder tilt in the direction of the blue arrow.

(3) Release the 3P cable (ADX7778) from two hooks of the BINDFAN CABLE\_S ASSY.

(4) Remove the Acetate Tape.

(5) Remove the two screws. (BSZ30P060FCC)

(6) Remove the PRIMARY ASSY

(7) Remove the two screws. (BPZ30P080FNI)

(8) Disconnect the two connectors and then remove the IR BUFFER\_S ASSY (with the BUFFER GND ASSY).

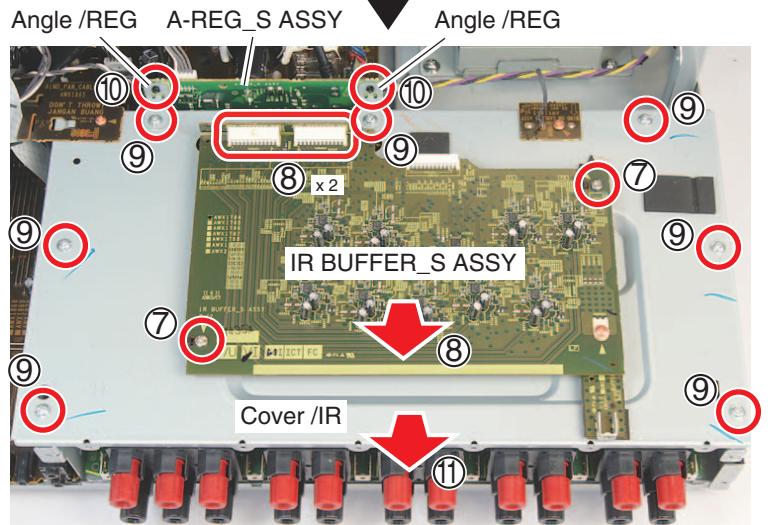
(9) Remove the seven screws. (AMZ30P060FTC)

(10) Remove the two Nylon Rivets (AEC7406) and the two Angle /REGs.

(11) Remove the Cover /IR.

#### Note on assembling :

To attach the Cover /IR and the IR BUFFER\_S ASSY in the correct position, refer to the "[2] Attach the Cover /IR and the IR BUFFER\_S ASSY" of "Assembling of Digital Amplifier Block".



Angle /REG

A-REG\_S ASSY

Angle /REG

Cover /IR

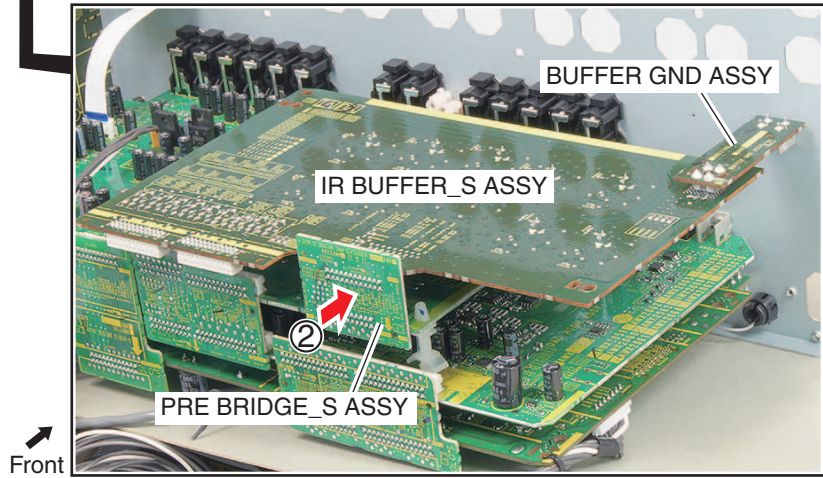
[3-2] Diagnosis

(1) Temporarily attach the BUFFER GND ASSY (with the IR BUFFER\_S ASSY) to the Rear Panel, using the screw. (BBZ30P080FTB)

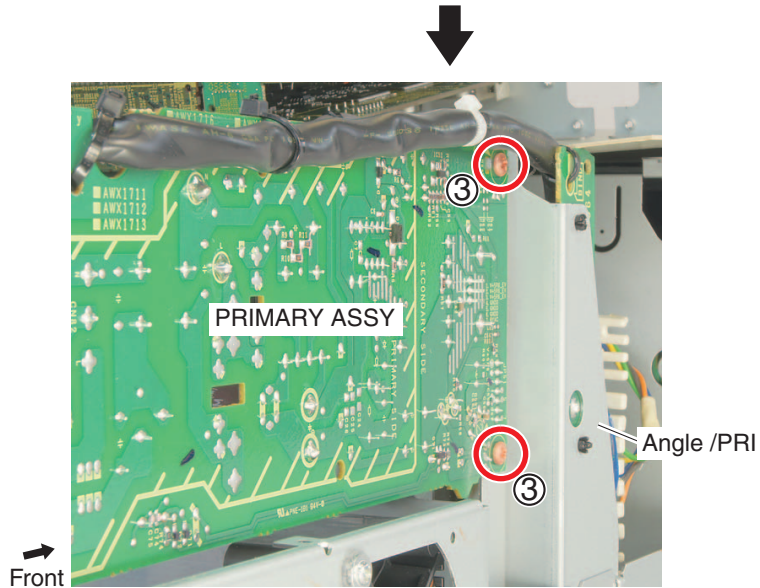
Rear Panel



(2) Attach the PRE BRIDGE\_S ASSY.



(3) Attach the PRIMARY ASSY, using the two screws. (BSZ30P060FCC)

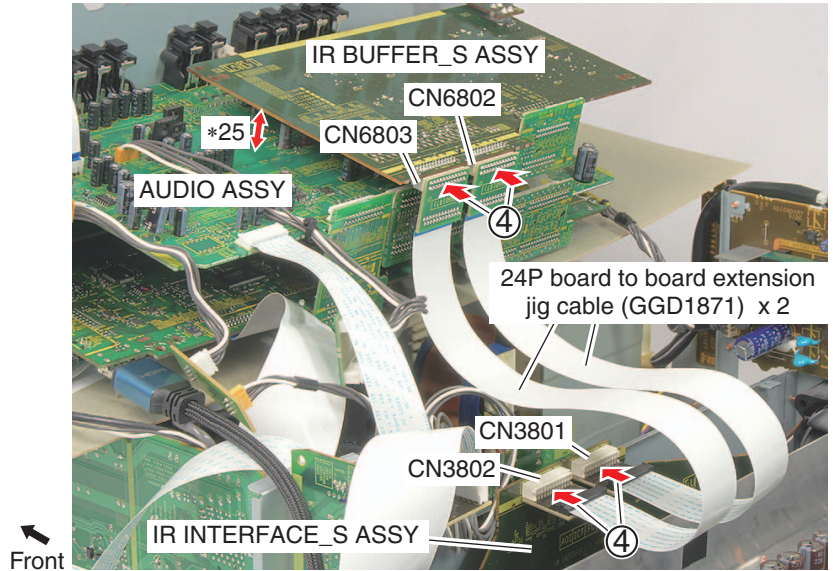




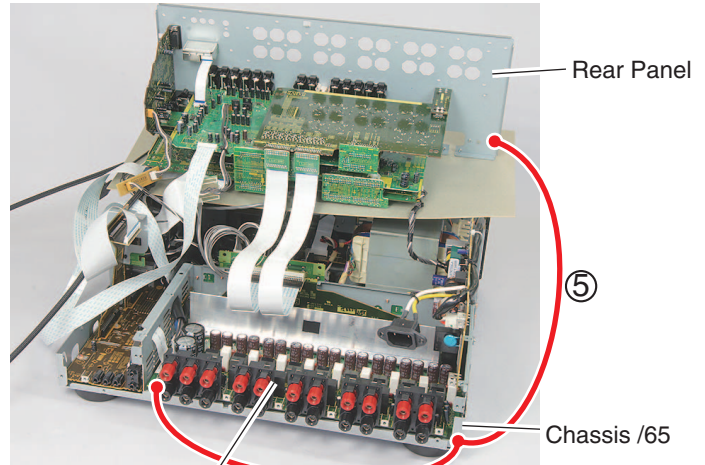
- (4) Connect the two 24P board to board extension jig cables. (GGD1871)  
 (IR BUFFER\_S CN6802 <-> IR INTERFACE\_S CN3801)  
 (IR BUFFER\_S CN6803 <-> IR INTERFACE\_S CN3802)

**Note:**

\*25: Doesn't touch the IR BUFFER\_S ASSY to the AUDIO ASSY.



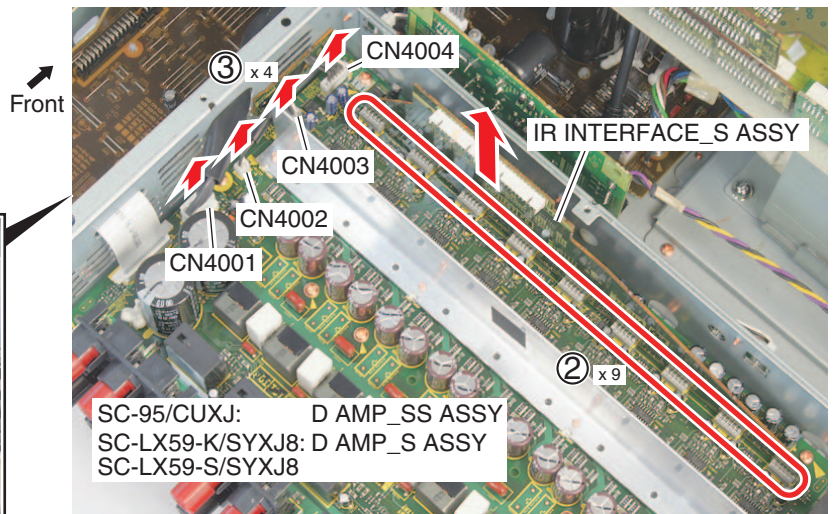
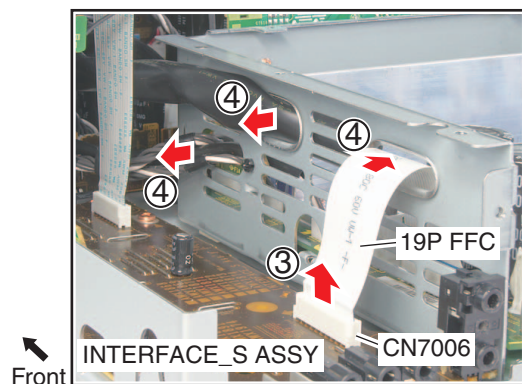
- (5) Connect the Rear Panel to the Chassis /65 Ground and GND point of the D AMP\_SS ASSY or D AMP\_S ASSY.  
 (Refer to the "Ground Points" for the GND point of the D AMP\_SS ASSY or D AMP\_S ASSY.)



**[3-3] Remove the D AMP\_SS ASSY or D AMP\_S ASSY**

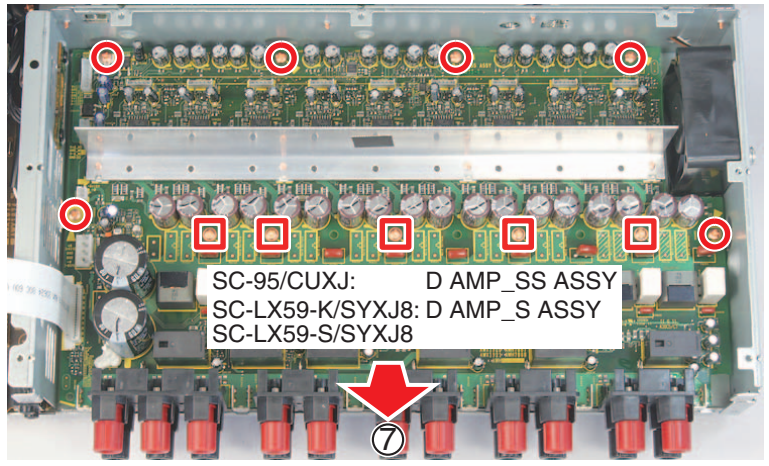
- (1) Remove the GND cable, two 24P board to board extension jig cables (GGD1871) and the PRIMARY ASSY.  
 (Refer to the step (5) to (3) of "[3-2] Diagnosis".)

- (2) Remove the IR INTERFACE\_S ASSY.
- (3) Disconnect the five connectors.
- (4) Pull out the cables from the holes.

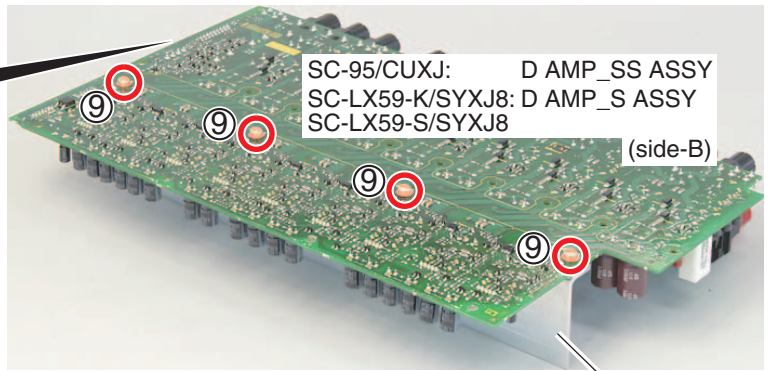
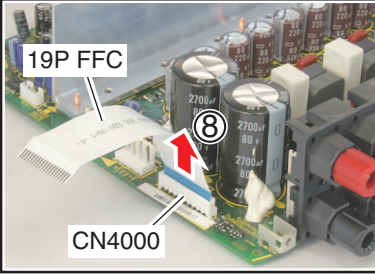


- (5) Remove the six screws. (BBZ30P060FCC)
- (6) Remove the five screws. (IBZ30P150FCC)
- (7) Remove the D AMP\_SS ASSY or D AMP\_S ASSY.

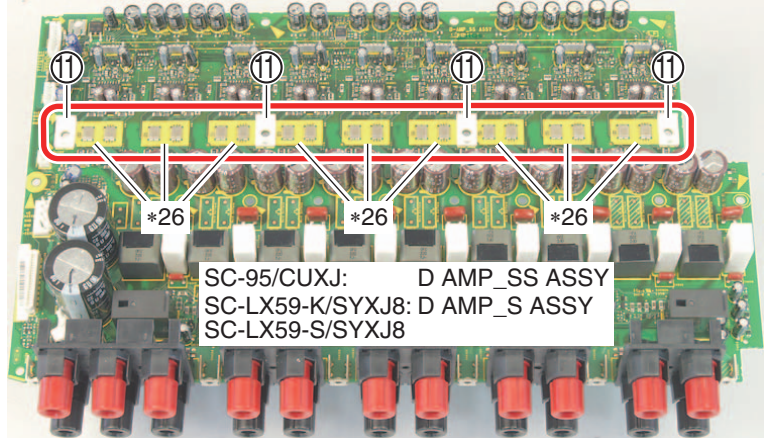
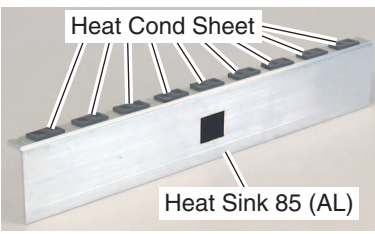
○: ⑤ x6    □: ⑥ x5



- (8) Remove the 19P FFC (ADD7795) by disconnect the connector.



- (9) Remove the four screws. (ABA1052)
- (10) Remove the Heat Sink 85 (AL) and the nine Heat Cond Sheets with side-A of the D AMP\_SS ASSY or D AMP\_S ASSY facing upward.



**Note on assembling**

\*26: When you exchange the Heat Cond Sheets, attach the new Heat Cond Sheets into the yellow marks of the D AMP\_SS ASSY or D AMP\_S ASSY.

- (11) Remove the four Heat Sink Spacer (PLS)s.

**Note on assembling :**

To attach the D AMP\_SS ASSY or D AMP\_S ASSY in the correct position, refer to the "[1] Attach the D AMP\_SS ASSY or D AMP\_S ASSY" of "Assembling of Digital Amplifier Block".

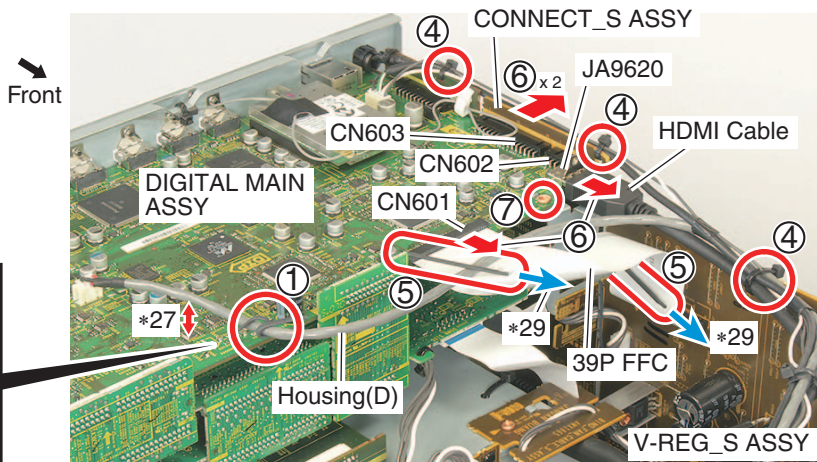
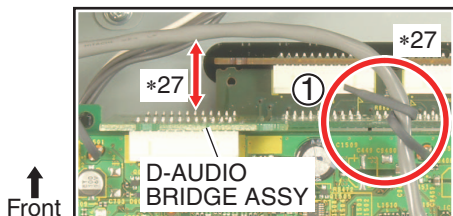


#### [4] DIGITAL MAIN ASSY and DAC HIGH ASSY

Remove the Bonnet (Box) by removing the 18 screws.

##### [4-1] DIGITAL MAIN ASSY and DAC HIGH ASSY

- (1) Release the Housing(D) (ADX7821) from the PCB binder.



##### Note on assembling

\*27: Twist the PCB binder around the Housing(D) (ADX7821) so that it doesn't touch to the DIGITAL MAIN ASSY, D-AUDIO BRIDGE ASSY and the Bonnet (Box).

- (2) Release the cables from the two PCB binders.

##### Note on assembling

\*28: Twist the PCB binders around the cables (direction of the blue arrow), so that they don't touch to the Fuse and the capacitor.

- (3) Remove the HDMI Cable (ADX7732) by disconnect the connector, and then connect the another normal HDMI Cable.

**Note:** Don't connect the HDMI Cable (ADX7732) provided with the product to prevent damage to the HDMI connector for the DIGITAL MAIN ASSY. Instead, use the another normal HDMI Cable to prevent a load from being applied to the HDMI connector.  
Always connect the HDMI Cable because the Wireless LED blinks, which causes a shutdown, if the power is turned on without the cable connected.

- (4) Cut the three Binders.  
(5) Release the cable from the two PCB binders.

##### Note on assembling

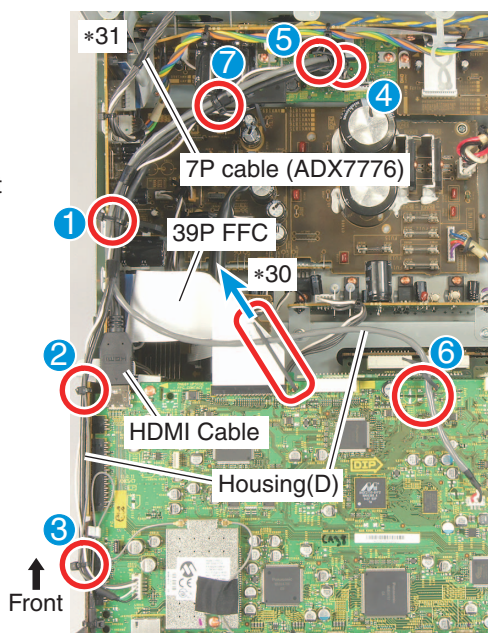
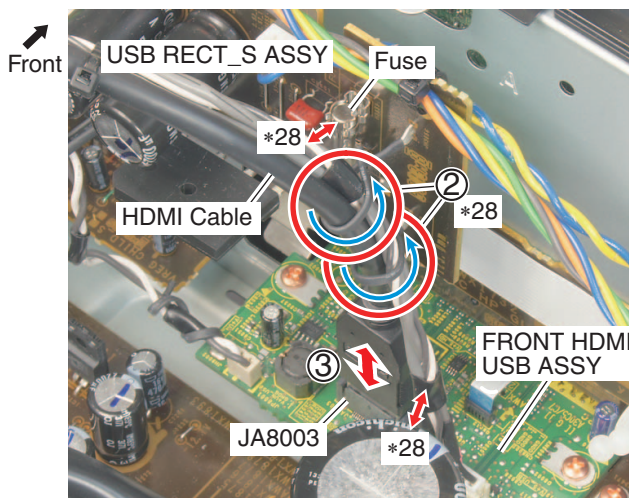
\*29: PCB binders tilt in the direction of the blue arrow.

- (6) Disconnect the four connectors.  
(7) Remove the screw. (BBZ30P060FCC)

##### Notes on assembling

\*30: PCB binder tilt in the direction of the blue arrow.

\*31: Bind the HDMI Cable (ADX7732) and the Housing(D) (ADX7821) as numerical order of blue numbers.

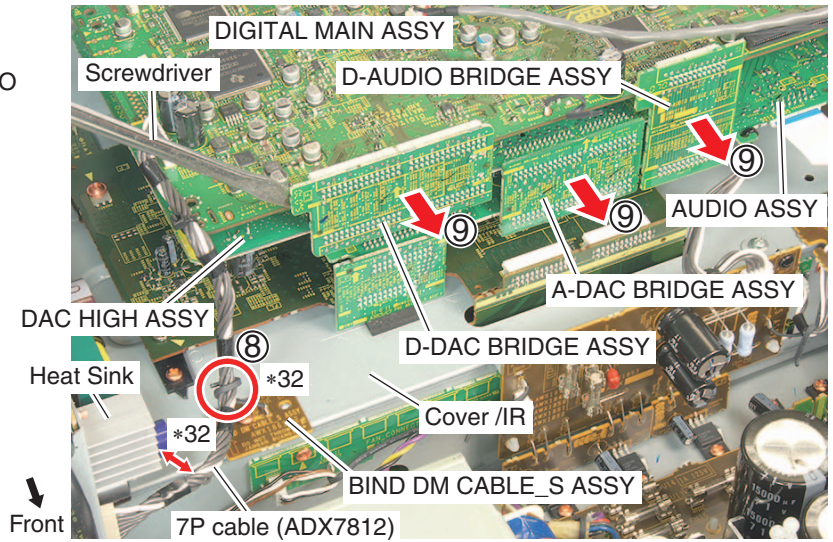




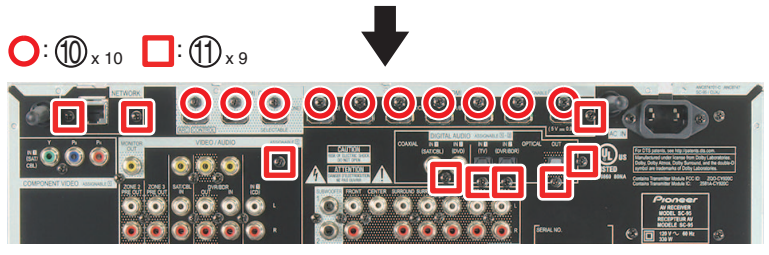
- (8) Release the 7P cable (ADX7812) from the PCB binder.
- (9) Remove the D-DAC BRIDGE ASSY, D-AUDIO BRIDGE ASSY and A-DAC BRIDGE ASSY.

**Note on assembling**

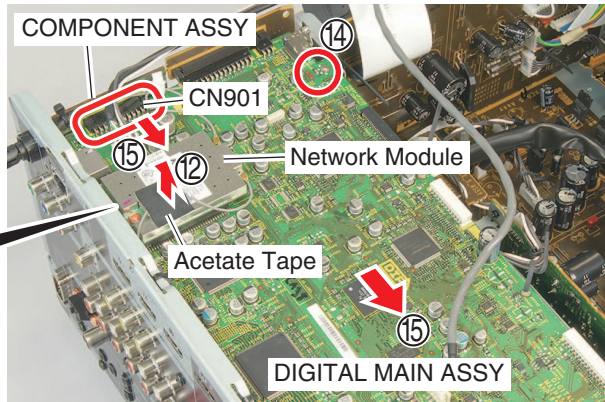
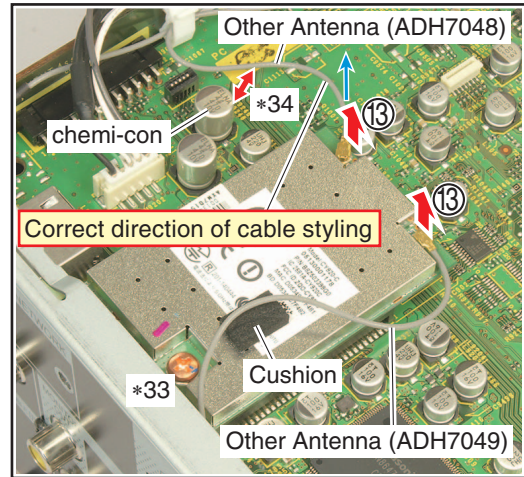
\*32: Twist the PCB binder around the 7P cable (ADX7812), so that it doesn't touch to the Heat Sink, capacitor and the Cover /IR.



- (10) Remove the ten screws. (BMZ30P040FTB)
- (11) Remove the nine screws. (BBZ30P080FTB)



- (12) Remove the Acetate Tape.
- (13) Disconnect the two connectors.
- (14) Unhook the hook.
- (15) Disconnect the connector and then remove the DIGITAL MAIN ASSY (with the Network Module).



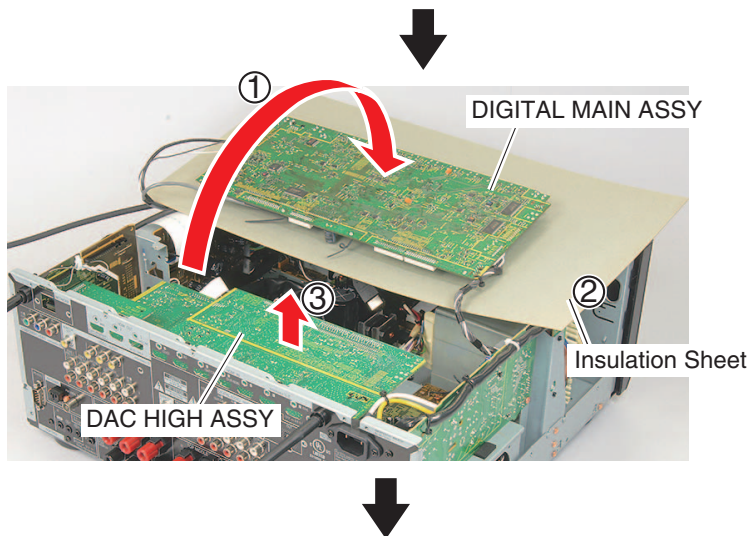
**Notes on assembling**

\*33: Lay the Other Antenna (ADH7049) on the Cushion and then affix the Acetate Tape over them.

\*34: Other Antenna (ADH7048) doesn't touch to the chemi-con.

**[4-2] Diagnosis**

- (1) Arrange the DIGITAL MAIN ASSY as shown in the photo.
- (2) Insert the Insulation Sheet.
- (3) Remove the DAC HIGH ASSY.





- (4) Connect the connector.
- (5) Connect the another normal HDMI Cable from the FRONT HDMI USB ASSY.

**Note:** Don't connect the HDMI Cable (ADX7732) provided with the product to prevent damage to the HDMI connector. Instead, use the another normal HDMI Cable to prevent a load from being applied to the HDMI connector.  
Always connect the HDMI Cable because the Wireless LED blinks, which causes a shutdown, if the power is turned on without the cable connected.

- (6) Connect the 29P board to board extension jig cable. (GGD1856)  
(DIGITAL MAIN CN603 <-> CONNECT\_S CN7952)
- (7) Connect the 5P board to board extension jig cable. (GGD1857)  
(DIGITAL MAIN CN602 <-> CONNECT\_S CN7951)
- (8) Connect the 23P board to board extension jig cable. (GGD1875)  
(DIGITAL MAIN CN901 <-> COMPONENT CN8301)

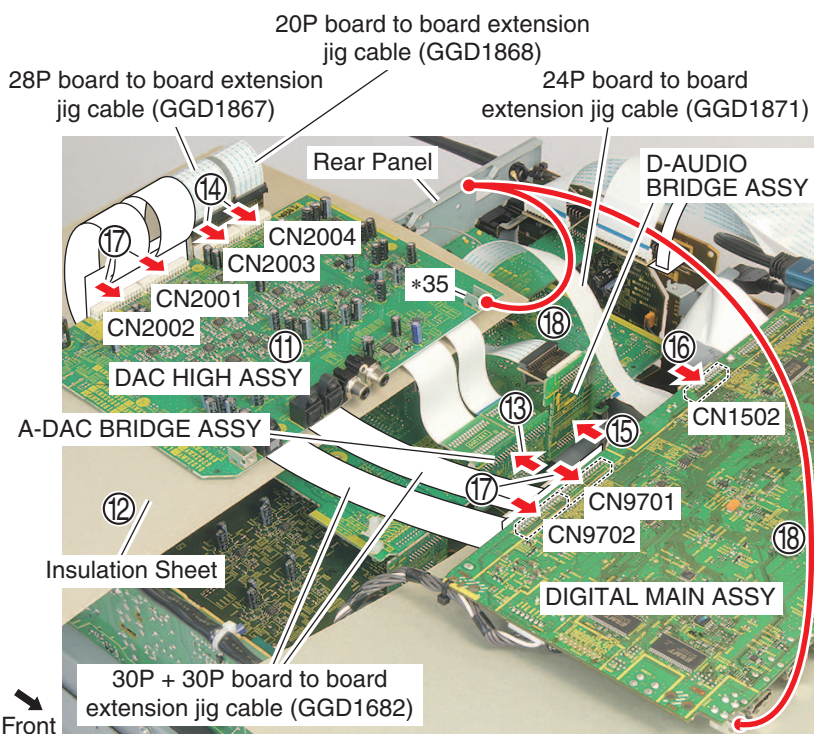
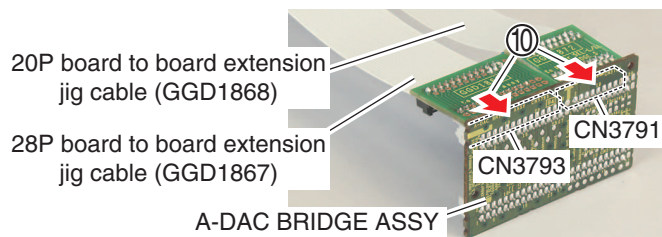
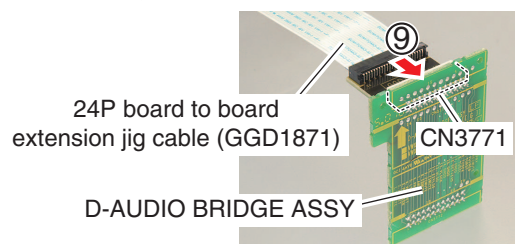
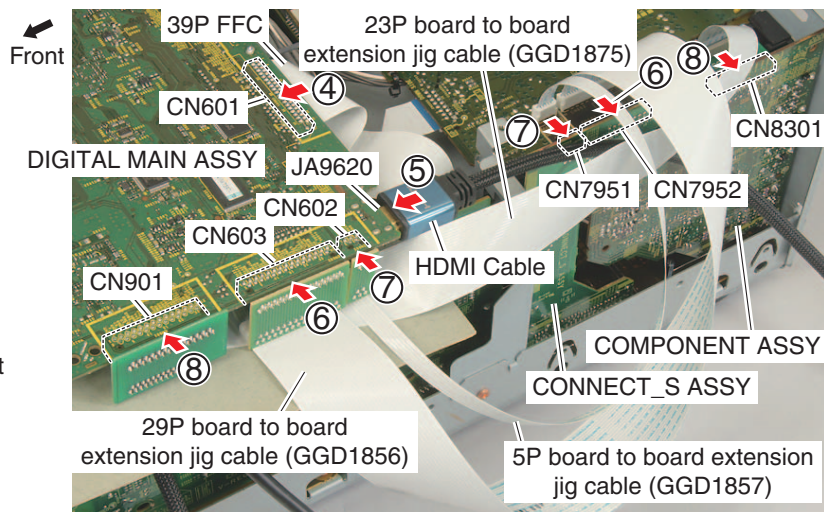
- (9) Connect the 24P board to board extension jig cable (GGD1871) to the D-AUDIO BRIDGE ASSY.
- (10) Connect the 28P board to board extension jig cable (GGD1867) and the 20P board to board extension jig cable (GGD1868) to the A-DAC BRIDGE ASSY.

- (11) Arrange the DAC HIGH ASSY as shown in the photo.
- (12) Insert the Insulation Sheet.
- (13) Attach the A-DAC BRIDGE ASSY to the AUDIO ASSY.
- (14) Connect the 28P board to board extension jig cable (GGD1867) and the 20P board to board extension jig cable (GGD1868) to the DAC HIGH ASSY.  
(A-DAC BRIDGE CN3793 <-> DAC HIGH CN2003)  
(A-DAC BRIDGE CN3791 <-> DAC HIGH CN2004)
- (15) Attach the D-AUDIO BRIDGE ASSY to the AUDIO ASSY.

- (16) Connect the 24P board to board extension jig cable (GGD1871) to the DIGITAL MAIN ASSY.  
(D-AUDIO BRIDGE CN3771 <-> DIGITAL MAIN CN1502)
- (17) Connect the 30P + 30P board to board extension jig cable. (GGD1682)  
(DAC HIGH CN2001 <-> DIGITAL MAIN CN9701)  
(DAC HIGH CN2002 <-> DIGITAL MAIN CN9702)
- (18) Connect the DIGITAL MAIN ASSY and DAC HIGH ASSY to the Rear Panel Ground.  
(Refer to the "Ground points.")

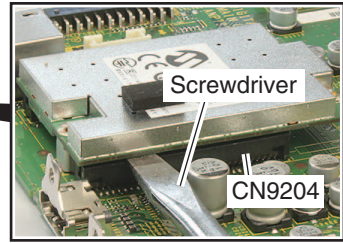
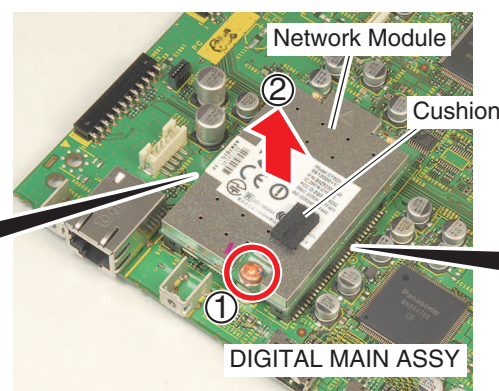
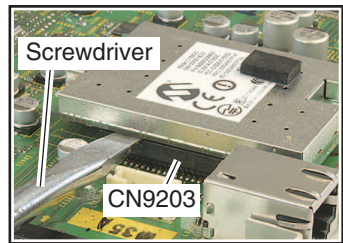
#### Note

\*35: Ground this bracket (DAC HIGH ASSY) and Rear Panel surely. (Sound of all channels is not output if this part is not connected)



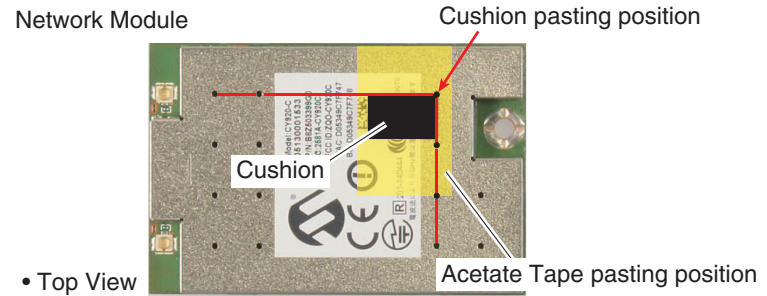
[4-3] Network Module

- (1) Remove the screw. (BSZ30P060FCC)
- (2) Disconnect the two connectors, using the Large Screwdriver and then remove the Network Module.



**Note:** Replace the Cushion to new one if it is damaged.

After attached the Network Module to the DIGITAL MAIN ASSY, attach the Other Antennas to the Network Module surely.





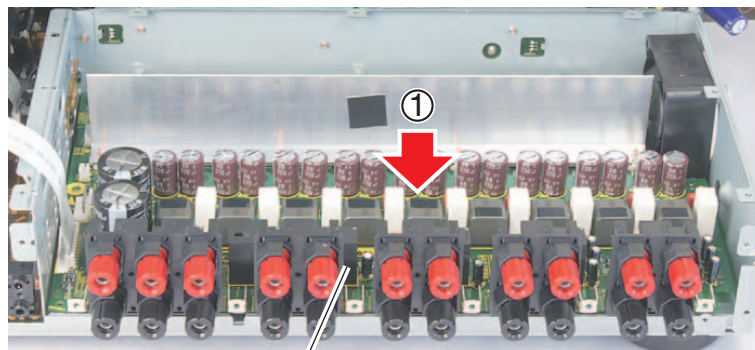
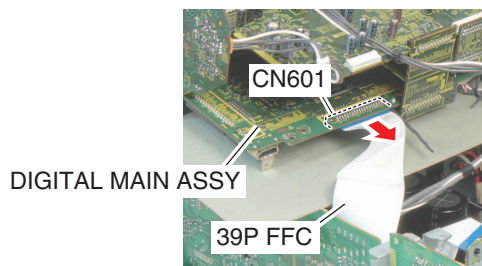
## Assembling of Digital Amplifier Block

**Note :** The attachment positioning of the Digital Amplifier Block relates to sound quality of the unit. If assembling Digital Amplifier Block by wrong steps, sound quality would deteriorate. Therefore assemble it correctly following the procedure shown below.

### [1] Attach the D AMP\_SS ASSY or D AMP\_S ASSY

- (1) Allocate the D AMP\_SS ASSY or D AMP\_S ASSY attached with the Heat Cond Sheet, Heat Sink Spacer (PLS), Heat Sink 85 (AL) and 19P FFC (ADD7795). Don't fix it with screws.

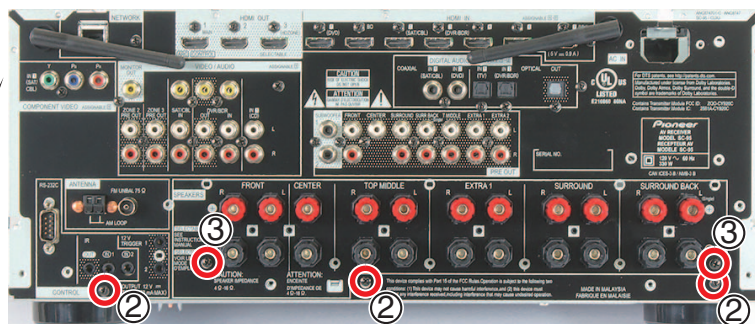
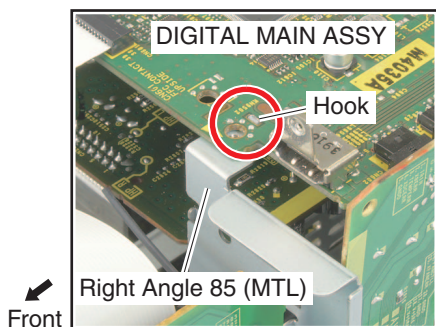
**Note:** If the 39P FFC (ADD7787) is connected, disconnect the connector. (For prevention of damage of the 39P FFC.)



SC-95/CUXJ: D AMP\_SS ASSY  
SC-LX59-K/SYXJ8: D AMP\_S ASSY  
SC-LX59-S/SYXJ8

- (2) Temporarily attach the Rear Panel (with other ASSY) to the Chassis /65, using the three screws. (BBZ30P080FTB)

**Note:** Fix the DIGITAL MAIN ASSY to the Hook of the Right Angle 85 (MTL).

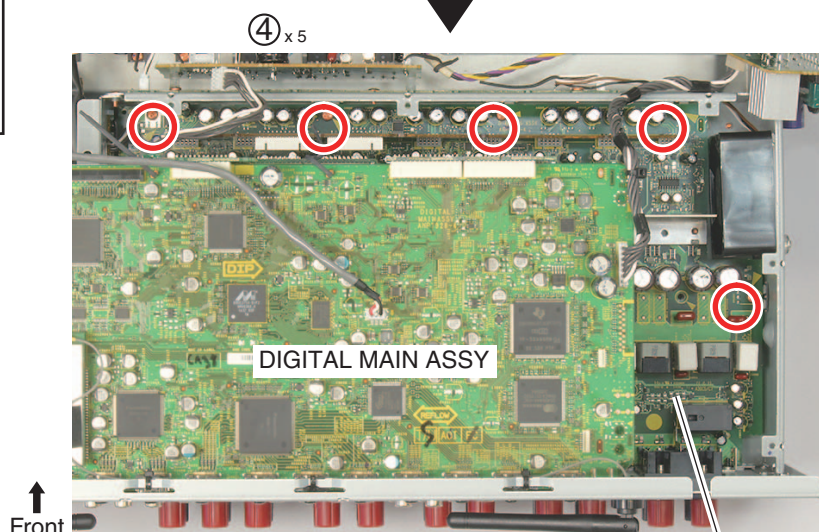


- (3) Temporarily attach the D AMP\_SS ASSY or D AMP\_S ASSY to the Rear Panel, using the two screws. (BBZ30P080FTB)

- (4) Attach the D AMP\_SS ASSY or D AMP\_S ASSY, using the five screws. (BBZ30P060FCC)

- (5) Remove the five screws temporarily fixed in accordance with step (2) and (3). (BBZ30P080FTB)

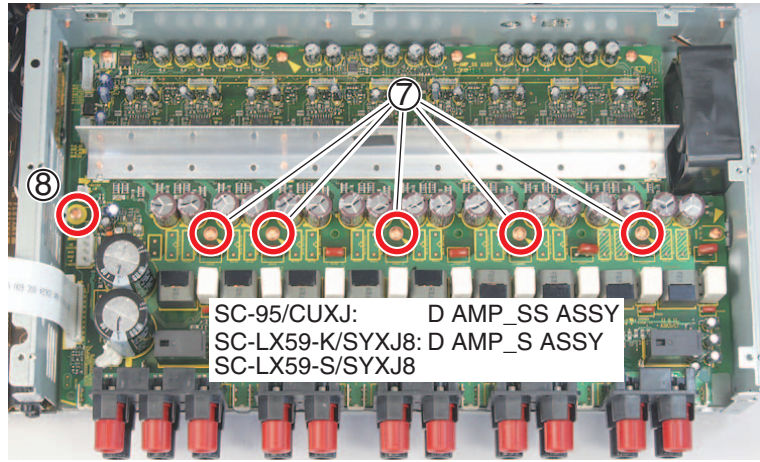
- (6) Remove the Rear Panel (with other ASSY).



SC-95/CUXJ: D AMP\_SS ASSY  
SC-LX59-K/SYXJ8: D AMP\_S ASSY  
SC-LX59-S/SYXJ8

- (7) Attach the five screws. (IBZ30P150FCC)
- (8) Attach the screw. (BBZ30P060FCC)

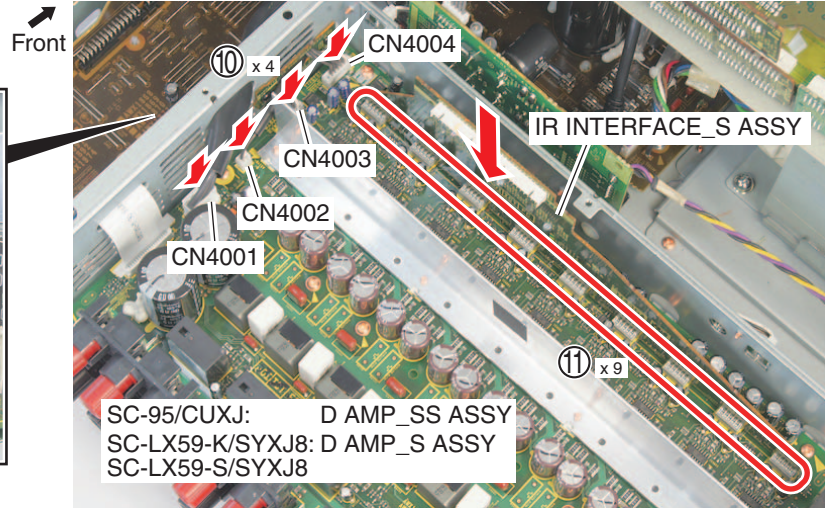
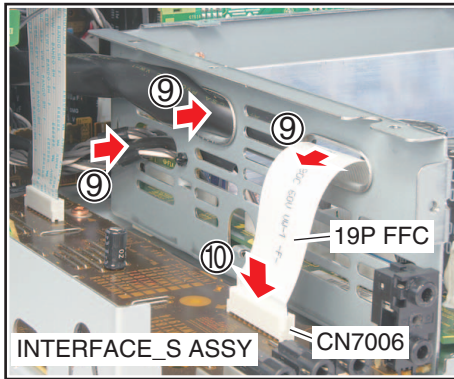
A



B

- (9) Put the cables through the holes.
- (10) Connect the five connectors.

C



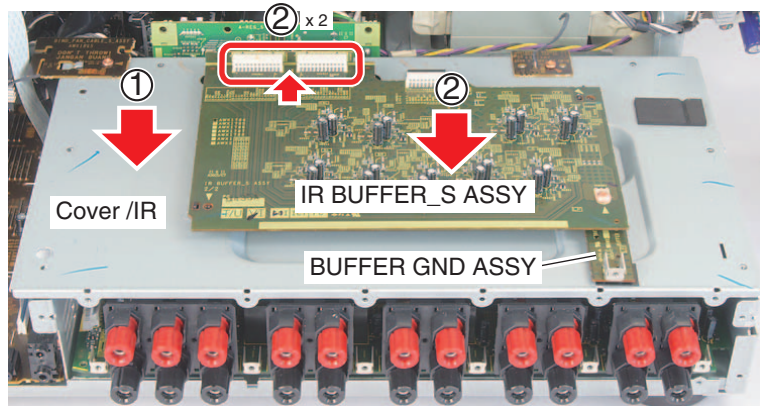
- (11) Attach the IR INTERFACE\_S ASSY.

D

**[2] Attach the Cover /IR and the IR BUFFER\_S ASSY**

- (1) Allocate the Cover /IR. Don't fix it with screws.
- (2) Allocate the IR BUFFER\_S ASSY (with the BUFFER GND ASSY) and connect the two connectors. Don't fix it with screws.

E

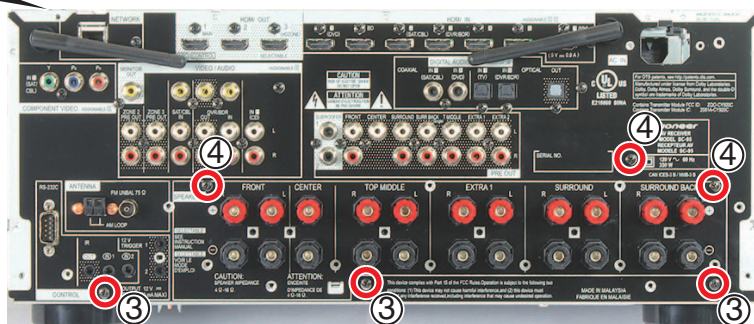
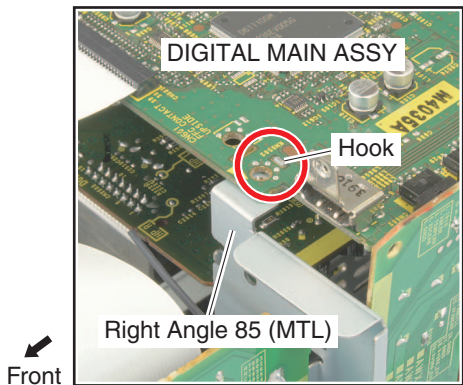


F



- (3) Temporarily attach the Rear Panel (with other ASSY) to the Chassis /65, using the three screws. (BBZ30P080FTB)

**Note:** Fix the DIGITAL MAIN ASSY to the Hook of the Right Angle 85 (MTL).



- (4) Temporarily attach the Cover /IR and the BUFFER GND ASSY to the Rear Panel, using the three screws. (BBZ30P080FTB)

- (5) Attach the two Angle /REGs to the A-REG\_S ASSY, using the two Nylon Rivets. (AEC7406)

- (6) Attach the Cover /IR, using the five screws. (AMZ30P060FTC)

**Note:** Secure the screws for fixing the Cover /IR without using the electric screwdriver, but manually.

- (7) Attach the IR BUFFER\_S ASSY, using the screw. (BPZ30P080FNI)

- (8) Remove the six screws temporarily fixed in accordance with step (3) and (4). (BBZ30P080FTB)

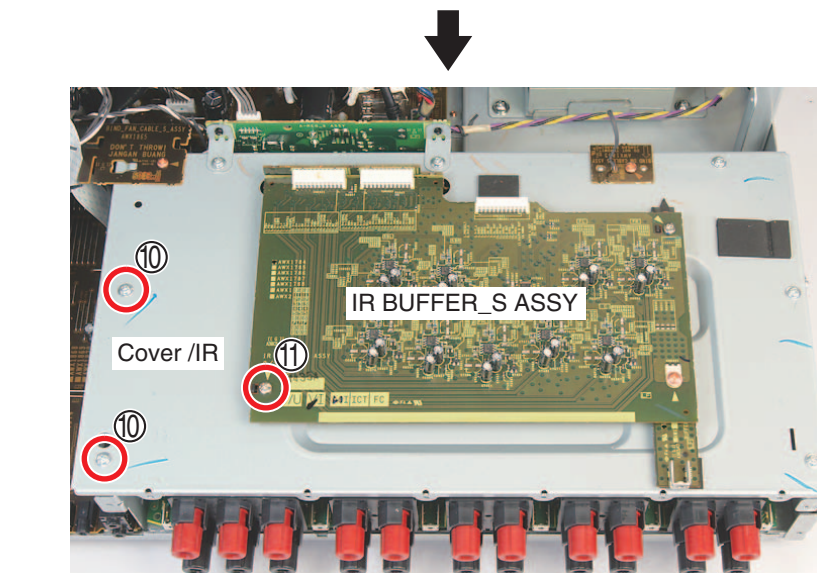
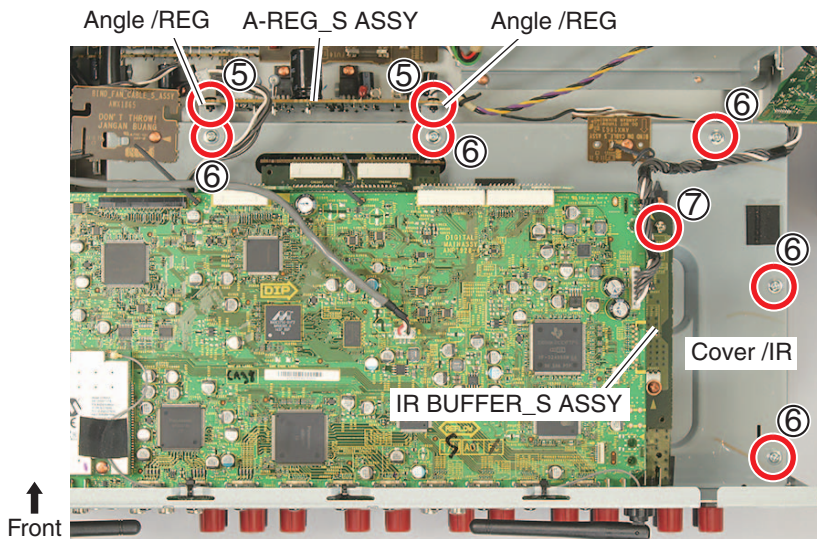
- (9) Remove the Rear Panel (with other ASSY).

- (10) Attach the two screws. (AMZ30P060FTC)

**Note:** Secure the screws for fixing the Cover /IR without using the electric screwdriver, but manually.

- (11) Attach the screw. (BPZ30P080FNI)

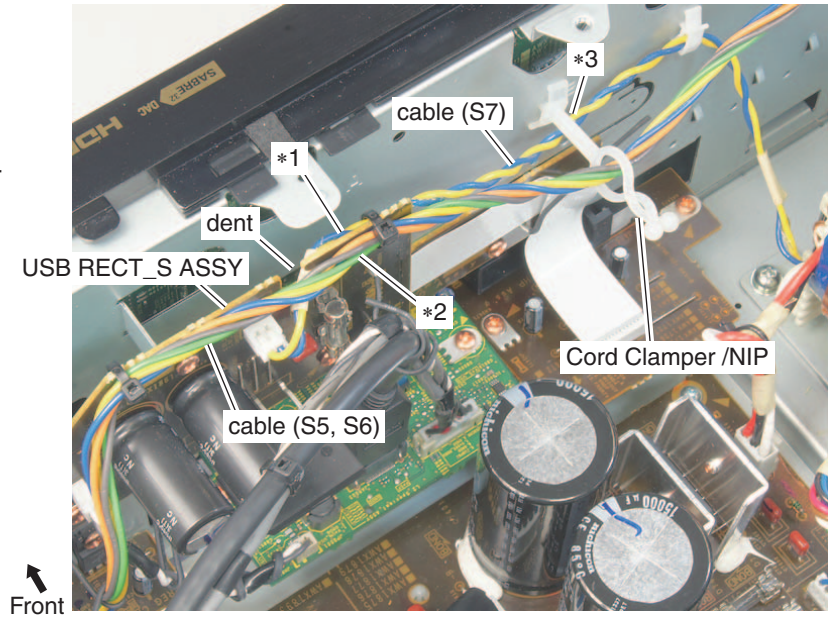
Refer to the step (6) to (1) of “[3-1] Remove the Cover /IR” of “Disassembly” henceforth.



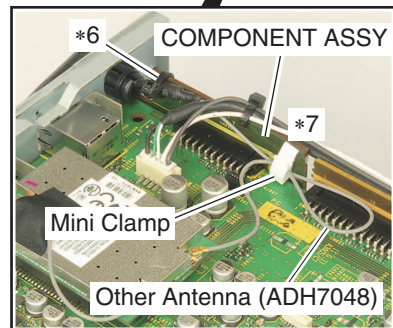
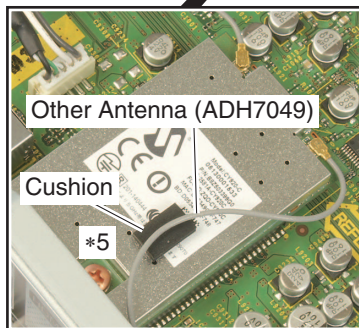
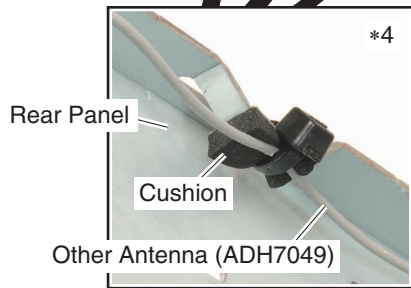
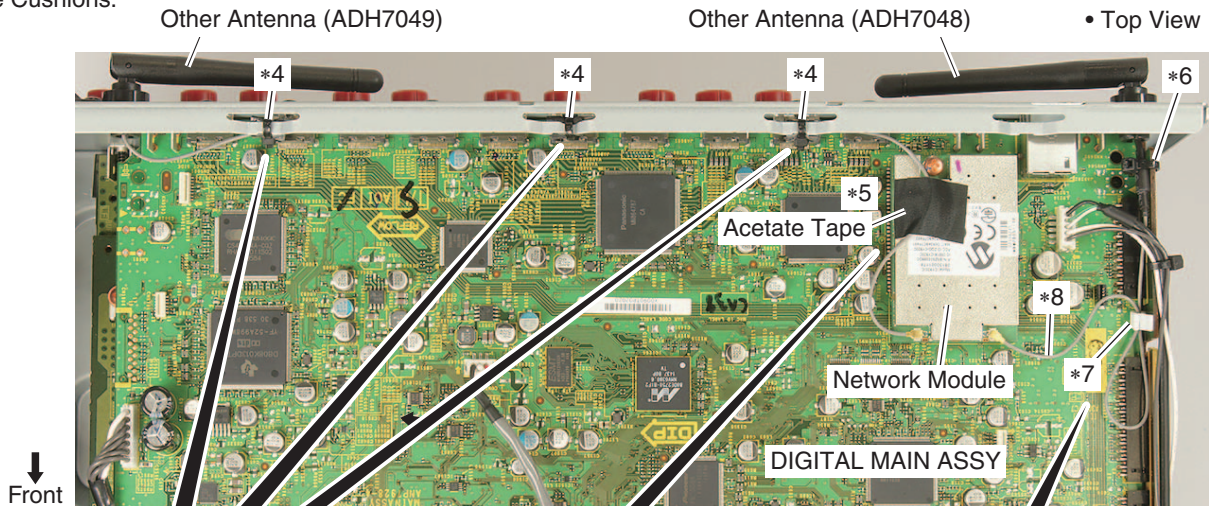


### Styling of Other Cables

- A \*1: Insert the cable (S7) through the dent and then bind on side-B of the USB RECT\_S ASSY.
- \*2: Bind the cable (S5, S6) on side-A of the USB RECT\_S ASSY.
- \*3: Pass the cable (S7) below the Cord Clamper /NIP.



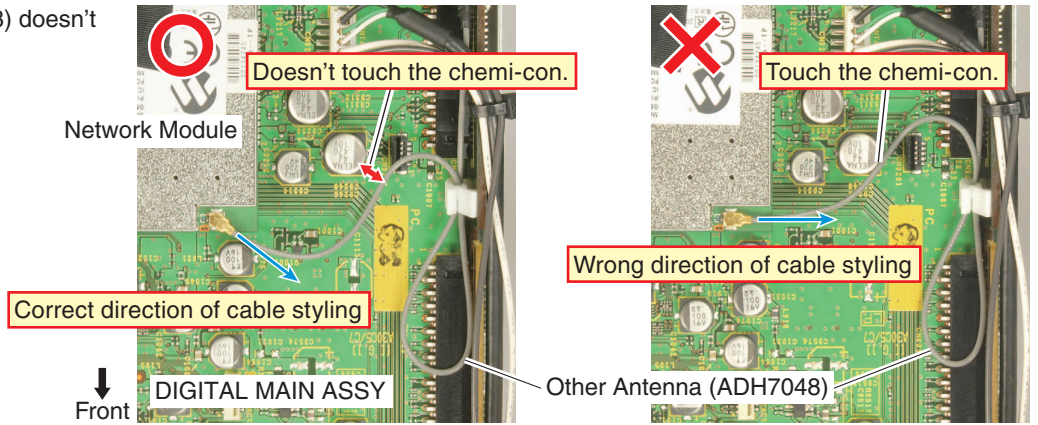
- C \*4: Bind the Other Antenna (ADH7049) below the three Cushions.



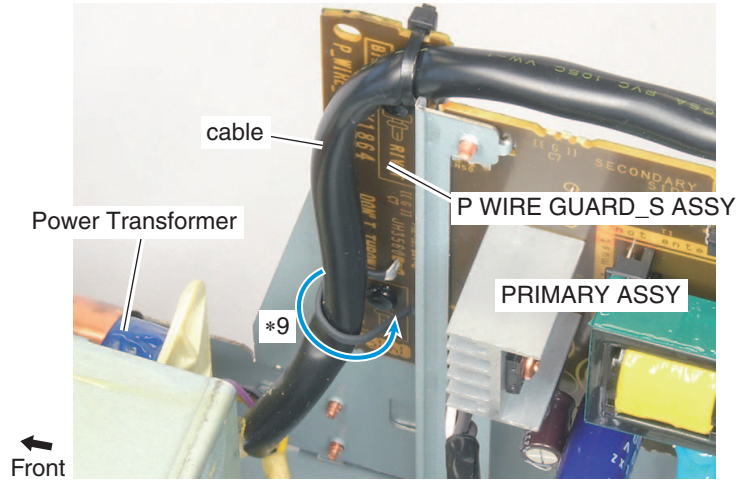
**Note:** Replace the Cushion if it is damaged.

- \*5: Lay the Other Antenna (ADH7049) on the Cushion and then affix the Acetate Tape over them.
- \*6: Bind the Other Antenna (ADH7048).
- \*7: Bend the Other Antenna (ADH7048) and then cramp it twice with the Mini Clamp.

\*8: Other Antenna (ADH7048) doesn't touch to the chemi-con.

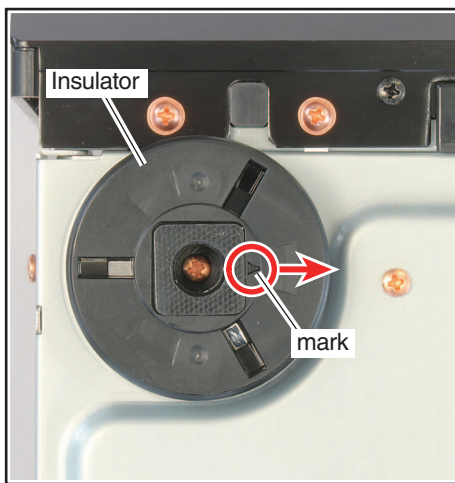


\*9: Twist the PCB binder around the cable (direction of the blue arrow) (Power Transformer <-> PRIMARY ASSY).

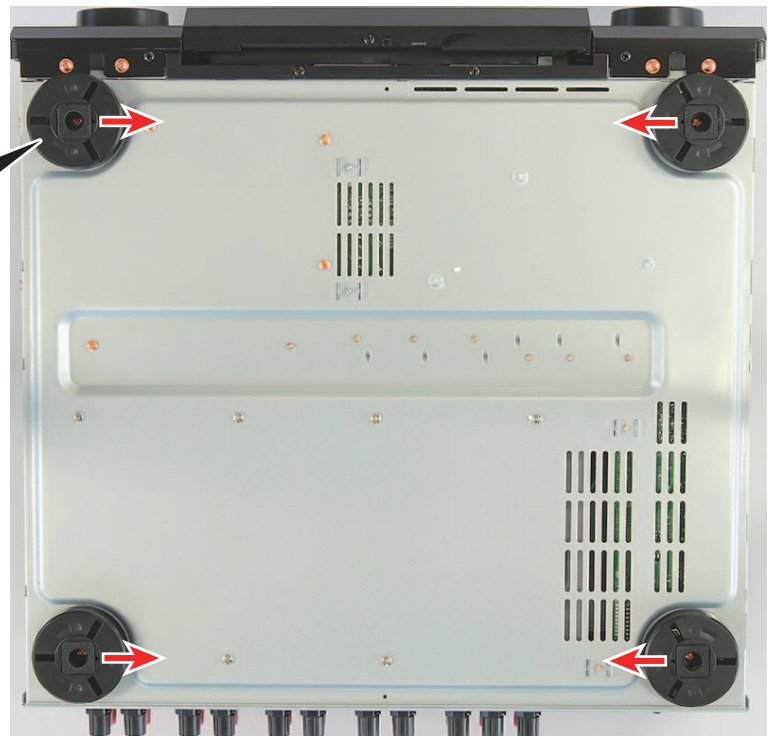


### Direction of Insulator

(1) Align the mark at under surface of the Insulator with the direction of photo.



• Bottom view





# 8. EACH SETTING AND ADJUSTMENT

## 8.1 ADJUSTMENT REQUIRED WHEN THE UNIT IS REPAIRED OR REPLACED

### A ■ When any of the following assemblies is replaced

DISPLAY ASSY	➔	"8.3 REGION WRITING"
DIGITAL MAIN ASSY	➔	"8.2 HOW TO SAVE AND LOAD THE SETTING USING BACKUP FUNCTION WITH USB MEMORY"
Other assemblies	➔	No adjustment required

### ■ When any of the following parts is replaced

B DIGITAL MAIN ASSY	➔	<p>No adjustment required</p> <p>The part listed below is difficult to replace as a discrete component part. When the part listed in the table is defective, replace whole Assy.</p> <ul style="list-style-type: none"> <li>• IC451 (TPS65251RHA-TLB)</li> <li>• IC1204 (88DE2750-K)</li> <li>• IC1212 (K4T51163QJ-BCE7-K)</li> <li>• IC1602 (MN864787-K)</li> <li>• IC1609 (MN864788-K)</li> <li>• IC9002 (CS49844A-K)</li> <li>• IC9206 (H337S3959-TBB)</li> <li>• IC9403 (MM3543BH)</li> <li>• IC9514 (MIC94325YMT)</li> <li>• IC9515 (MIC94325YMT)</li> <li>• IC9523 (MIC94325YMT)</li> <li>• IC9602 (SII9589CTUC-3)</li> <li>• IC9703 (D808K013DPTP456-K)</li> </ul>
---------------------	---	---

C D AMP_SS(_S) ASSY	➔	<p>No adjustment required</p> <p>The part listed below is difficult to replace as a discrete component part. When the part listed in the table is defective, replace whole Assy.</p> <ul style="list-style-type: none"> <li>• Q4101,4102 (IRF6775MPBFS1-TRB)</li> <li>• Q4201,4202 (IRF6775MPBFS1-TRB)</li> <li>• Q4301,4302 (IRF6775MPBFS1-TRB)</li> <li>• Q4401,4402 (IRF6775MPBFS1-TRB)</li> <li>• Q4501,4502 (IRF6775MPBFS1-TRB)</li> <li>• Q4601,4602 (IRF6775MPBFS1-TRB)</li> <li>• Q4701,4702 (IRF6775MPBFS1-TRB)</li> <li>• Q4801,4802 (IRF6775MPBFS1-TRB)</li> <li>• Q4901,4902 (IRF6775MPBFS1-TRB)</li> </ul>
---------------------	---	---

E DISPLAY ASSY	➔	After replacing IC6001(R5F100MHAF-A-K), perform "8.3 REGION WRITING" and then, update to the latest firmware.
Other assemblies	➔	No adjustment required

Note 1:  
 After replacing NETWORK MODULE (AXX7293) or DIGITAL MAIN ASSY, the unit needs to update.  
 Refer to "UPDATE PANEL Mode (Version update)" on "8.4 HOW TO UPDATE FIRMWARE"

F Note 2:  
 After replacing NETWORK MODULE (AXX7293) or DIGITAL MAIN ASSY, the unit needs to test Wi-Fi function.  
 Refer to "5.3 CONFIRMATION OF THE NETWORK MODULE"



## 8.2 HOW TO SAVE AND LOAD THE SETTING USING BACKUP FUNCTION WITH USB MEMORY

### [Introduction]

This model is capable of saving the set values stored in the MAIN Ucom (IC103) of DIGITAL MAIN ASSY in the USB and loading them in a new DIGITAL MAIN ASSY.  
(Note that MAIN Ucom should normally operate to enable this function.)

When replacing DIGITAL MAIN ASSY, execute the above mentioned processes.

### [Data that can be saved/cannot be saved]

The following **data can not be saved**. Data other than these can be saved.

Contents to save	Destination to save
Last memory for turning ON/OFF the Main power and power supply for ZONE2, ZONE3 and HDZONE Last memory for inputting the Main ZONE, ZONE2, ZONE3 and HDZONE Data to be save upon the operation of protection circuit HDMI OUT3 terminal setting (MAIN/HDZONE) Roku Standby Mode	EVENT Ucom IC6001 (DISPLAY ASSY)
Internet Radio Last Station, Favorite, etc.	Network Module ( AXX7293)

(As the data saved by EVENT Ucom is on the DISPLAY ASSY, the data cannot be deleted unless Assy is replaced at the same time.)

### [Requirements for USB memory]

USB memory to be used should meet the following requirements.

- Compatible with USB Mass storage Class
- With a file system of FAT(FAT16 or FAT32)

### [File saving format]

Files are to be saved in the following format: Model number\_backup version.extension(avr)

Example: SC-95\_BK01.avr  
SC-LX59\_BK01.avr

### [How to save in the USB memory from AV amplifier]

1. Insert the usable USB memory into the USB terminal when the main device is off.
2. Enter the SERVICE MODE and select [USB BAK ◀ HOLD ▶] with ↑↓ keys.  
(See [6. SERVICE MODE] for how to enter the SERVICE MODE.)
3. Select [USB BAK ◀ SAVE ▶] with ⇄ keys and press [ENTER].
4. Saving in the USB starts and the main device automatically goes off after the normal completion ([COMPLETE] is displayed.).
5. Remove the USB and saving is finished.

\*1. If the following errors occur after "SAVE" is executed, error message will be displayed and "SAVE" will be stopped and the power will be turned off.

- Ejecting of USB device
- Short capacity of USB device
- Error during writing in the USB device (Read Only or defective Sector, etc.)

\*2. If the same file name exists in the USB, overwriting will be automatically executed.

### [How to write into AV amplifier from the USB memory]

1. Insert the USB with the saved file into the USB terminal when the main device is off.
2. Enter the SERVICE MODE and select [USB BAK ◀ HOLD ▶] with ↑↓ keys.  
(See [6. SERVICE MODE] for how to enter the SERVICE MODE.)
3. Select [USB BAK ◀ LOAD ▶] with ⇄ keys and press [ENTER].
4. Saving in the main device starts and it automatically goes off after the normal completion ([COMPLETE] is displayed.).
5. Remove the USB and loading is finished.

\* If the following errors occur after "LOAD" is executed, error message will be displayed and "LOAD" will be stopped and the power will be turned off.

- No setting file
- Mismatching between the setting file and the specification of the A/V RECEIVER type to be loaded back
- Error due to Checksum, Signature Check, and Size Check
- Ejecting of USB device (during reading of the setting file)

**Precautions**

- Files are stored in Root of USB memory.
  - Files are read from Root of USB memory.
    - ⇒ To make operations such as moving files, be sure to assign the saved file in Root of the USB memory.
- Also please be careful not to assign \*.avr in multiple numbers.

- The time and date of updating for saved file is fixed to "2006/03/08 20:01."
- In principle, please implement Load without making of factory default settings.
- Depending on the type of USB memory device, the setting file may not have properly been saved even though [COMPLETE] is displayed after a SAVE process.
  - Before replacing the DIGITAL MAIN ASSY, perform a LOAD process and check that [COMPLETE] is displayed.

**[Cautions]**

- You cannot use the backup function with USB memory until the Network Module software starts.
- It takes about 60 seconds before the Network Module software starts.

### 8.3 REGION WRITING

This is the function to write Region information by using an USB Memory. Automatic start-up is conducted with POWER ON if the Region information is not written. This work is carried out when DISPLAY ASSY is replaced.




**[Preparations]**

- Please copy the REGION File for the same model number and the point of destination with the object set to the route directory of USB Memory.

Note: Copy only the REGION File to the USB memory. Never copy to other files.

**[Precautions]**

Please be sure to use the REGION File for the same model number and the point of destination with the object set. If you make a mistake, it is impossible to rewrite. (Replacement of DISPLAY ASSY is required again)

Key operation	FL display
Plug in the AC cord. (No Region information)	
	
Power On (Automatically)	<code>POWER ON</code>
	
Start up finished	
Function initial display	<code>SET REGION</code>
	
Connect USB Memory. Loading finished correctly	
Region Writing finished	<code>SC-95/CUXJ</code> <code>SC-LX59/SYXJ8</code>

**[Procedures]**

- Connect an AC cord after replacing DISPLAY ASSY. (Power turns ON automatically)
- [SET REGION] is displayed several seconds after [POWER ON] is displayed on the front panel. (Standby status for REGION File writing)
- Automatic writing starts when USB memory prepared by [Preparation: 1] is inserted. (Degree of several seconds)
- The written model number is displayed after the normal completion of REGION File writing. (14 characters, maximum)
- Pull out the AC cord.

**[Cautions]**

- Writing of destination is not completed until the Network Module software starts.
- It takes about 60 seconds before the Network Module software starts.

### [Case of Abnormal Completion]

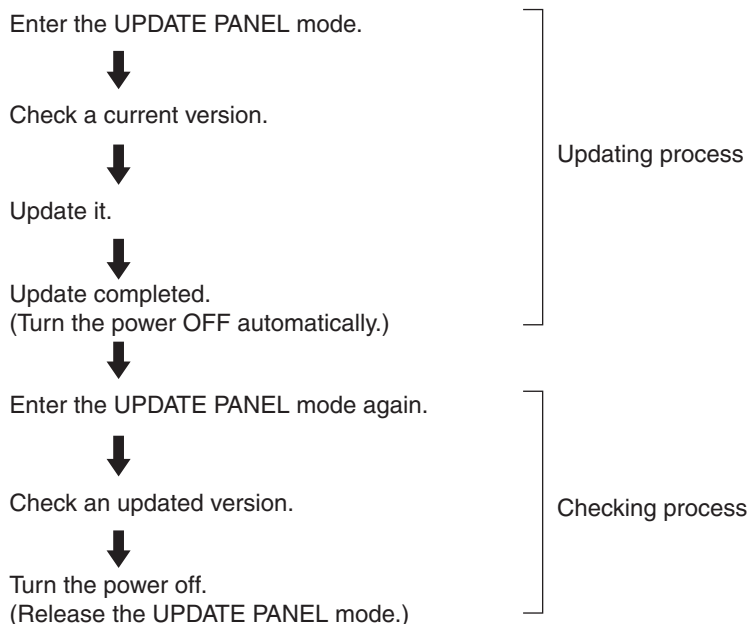
If REGION File writing did not complete normally, an error number is displayed rather than the model number. Please perform rewriting based on the coping strategy by error numbers below.

FL Display Examples										Reason for Display	Coping Strategy	
		E	R	R	O	R		R	0	1	·Case of unsuccessful USB Read-in ·Case of No File for Writing	·Try writing with other USB Memory ·Place writing required REGION File to root directory *1
		E	R	R	O	R		R	0	3	Case of destroyed File	Download REGION File again
		E	R	R	O	R		R	0	4	Case of destination information for different model is written	Download REGION File for correct model

\*1 If an error is appeared, disconnect and connect the AC cord within 30 seconds and try to write the destination again.

## 8.4 HOW TO UPDATE FIRMWARE

### Workflow



### MAIN com, SUB com (EVENT) , DSP Flash ROM and Network Module Update by USB Memory and the Confirmation of the Version




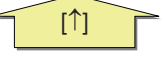
#### ● UPDATE PANEL Mode (Version update)

##### [Preparations]

- Copy the UPDATE FILE to the root directory of the USB Memory.  
**Note:** NEVER copy several UPDATE FILES to the root directory of the USB Memory.  
Copy only the corresponding UPDATE FILE.
- Turn off the power to this unit by setting Multi-Zone to "OFF".
- Connect the USB Memory to the USB terminal (A type) of the front panel.

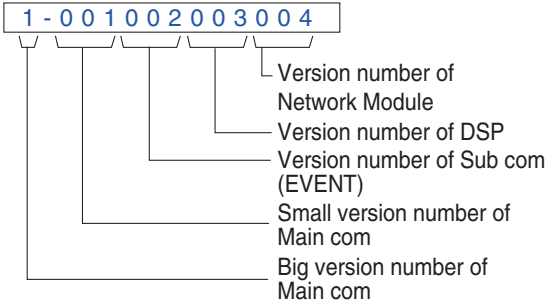
##### [Procedures]

- While holding down "TUNE↑" key on the front panel, press "STANDBY ON/OFF" key and moves to the **UPDATE PANEL mode**.
- The updating process is as follows.



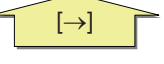

Key operation	FL display
<p>[TUNE↑] + [STANDBY ON/OFF]</p>  <p>Booting is completed</p> 	<p>POWER ON</p> <p>Version is displayed.</p> <p>1 - 001002003004</p>
<p>[TUNE↓] or [TUNE↑]</p>  	<p>Update Menu</p> <p>UPDATE</p>





### Front Panel Key

- [↓] : TUNE key
- [↑] : TUNE key
- [←] : PRESET key
- [→] : PRESET key



"\*\*\*" displayed instead of number indicates the process while the version is obtained. Wait for a while until the version is displayed.

Key operation	FL display
<p>[ENTER]</p> 	<p>Update Menu</p> <p>UPDATE</p>
<p>[PRESET→] or [PRESET←]</p>  	<p>Update Confirmation</p> <p>UPDATE ? ◀NO▶</p>
<p>[ENTER]</p> 	<p>Update Confirmation</p> <p>UPDATE ? ◀YES▶</p>
<p>UPDATE FILE searching completed</p>	<p>File searching</p> <p>Accessing</p>

Key operation	FL display
UPDATE FILE searching completed	
	
UPDATE start	Updating process * U p d a t i n g . 0 %
	
UPDATE completed	
	
5 Second	Update completion display * U p d a t i n g . 1 0 0 %
	
Power turns off automatically. (All ZONE OFF) Disconnect the USB MEMORY.	

Update time is fluctuated by contents of the update. It will take about 26 minutes at the maximum.  
(Actual time is from 3 minutes to 26 minutes.)

Time required for updating varies, because only the programs that require updating will be updated.

#### [Confirmation]

- Enter UPDATE PANEL mode and check that the programs have been updated.

#### [Cautions]

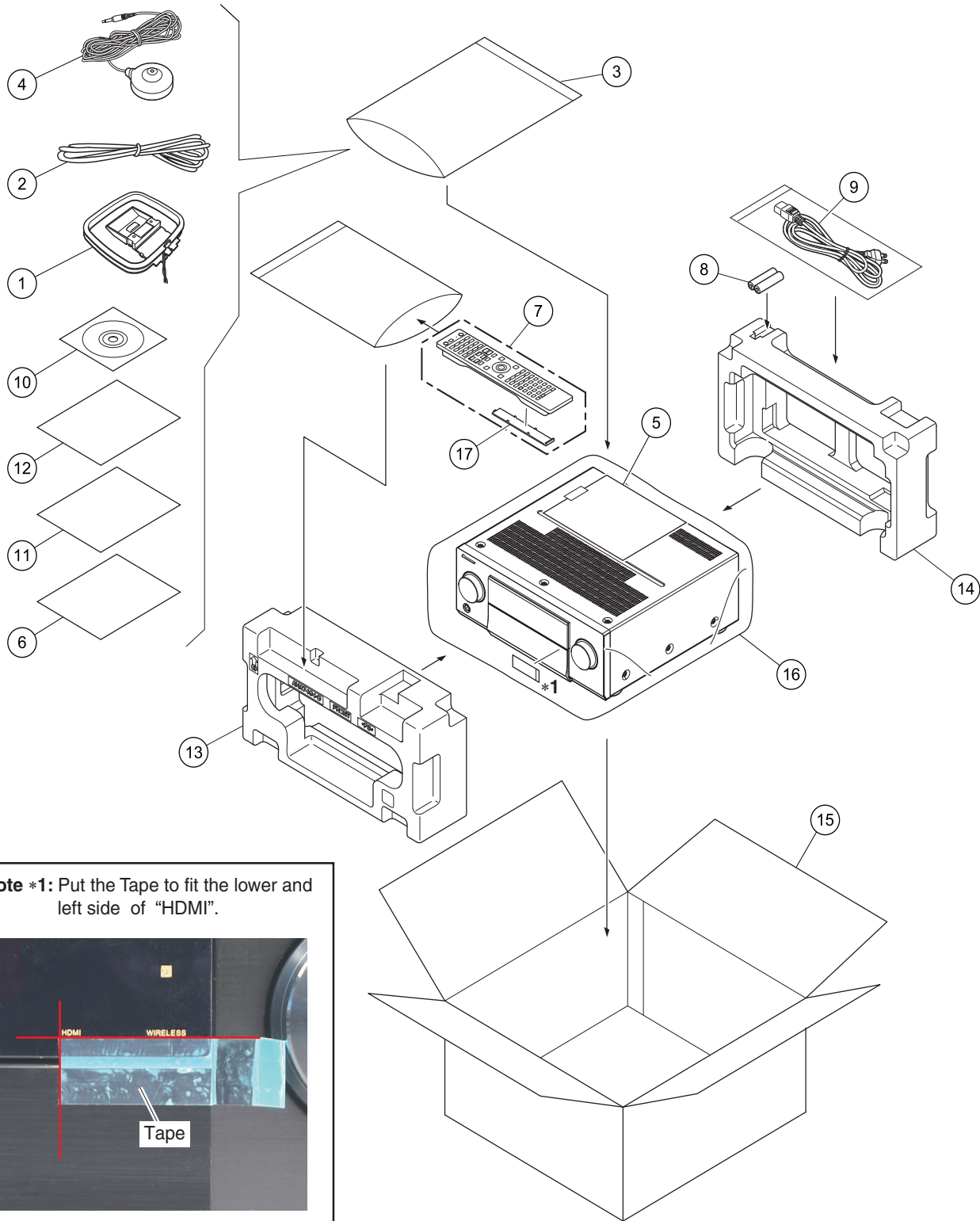
- You cannot perform an update until the Network Module software starts.
- It takes about 60 seconds before the Network Module software starts.

# 9. EXPLODED VIEWS AND PARTS LIST

NOTES: ● Parts marked by "NSP" are generally unavailable because they are not in our Master Spare Parts List.

- The  $\triangle$  mark found on some component parts indicates the importance of the safety factor of the part. Therefore, when replacing, be sure to use parts of identical designation.
- Screws adjacent to  $\nabla$  mark on product are used for disassembly.
- For the applying amount of lubricants or glue, follow the instructions in this manual. (In the case of no amount instructions, apply as you think it appropriate.)

## 9.1 PACKING SECTION





**(1) PACKING SECTION PARTS LIST**

<u>Mark No.</u>	<u>Description</u>	<u>Part No.</u>	<u>Mark No.</u>	<u>Description</u>	<u>Part No.</u>
	1 AM Loop Antenna	XTB3004		11 Quick Start Guide	See Contrast table (2)
	2 FM Wire Antenna	ADH7030	NSP	12 Caution Card	See Contrast table (2)
NSP	3 Polyethylene Bag	AHG7117		13 Packing Pad /F	AHA7502
	4 Setup Microphone (Cable:5m(16.4ft))	APM7011		14 Packing Pad /R	AHA7500
NSP	5 Caution Card /SPE	ARM7161		15 Packing Case	See Contrast table (2)
NSP	6 Warranty Sheet	See Contrast table (2)		16 Packing Sheet	RHC1023
	7 Remote Control Unit	AXD7723		17 Battery Door	AZN8047
NSP	8 AAA Size IEC R03 Dry Cell Batteries x2	VEM1057			
⚠	9 Power Cord	See Contrast table (2)			
	10 IM CD-ROM	See Contrast table (2)			

**(2) CONTRAST TABLE**

SC-95/CUXJ, SC-LX59-K/SYXJ8 and SC-LX59-S/SYXJ8 are constructed the same except for the following:

<u>Mark No.</u>	<u>Symbol and Description</u>	<u>SC-95/CUXJ</u>	<u>SC-LX59-K/SYXJ8</u>	<u>SC-LX59-S/SYXJ8</u>
NSP	6 Warranty Sheet	ARY7007	ARY7158	ARY7158
⚠	9 Power Cord	ADG7118	ADG7123	ADG7123
	10 IM CD-ROM	ARU7081	ARU7082	ARU7082
	11 Quick Start Guide	ARH7224	ARH7225	ARH7225
NSP	12 Caution Card	ARM7182	ARM7183	ARM7183
	15 Packing Case	AHD8884	AHD8885	AHD8886



**(1) EXTERIOR SECTION PARTS LIST**

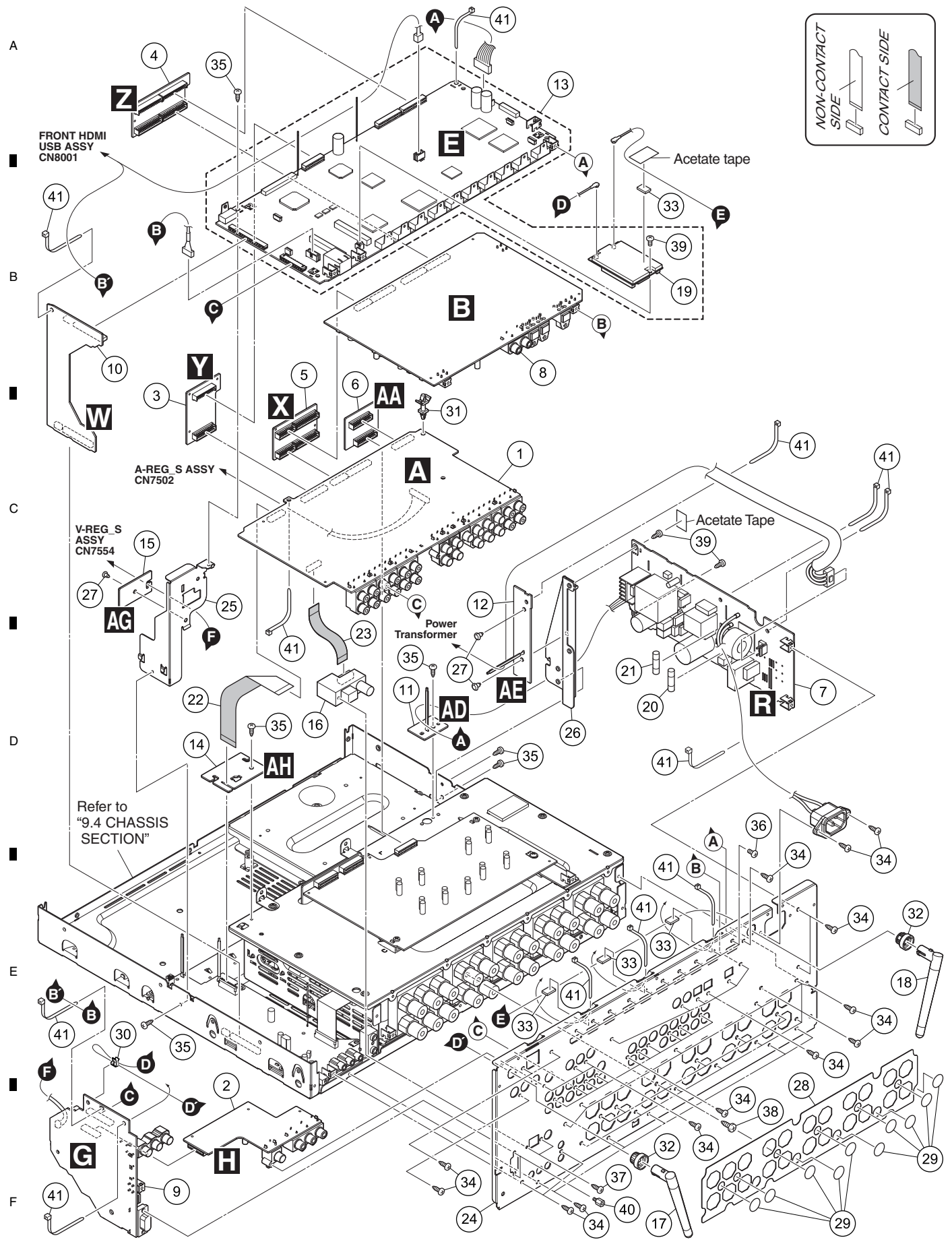
<u>Mark No.</u>	<u>Description</u>	<u>Part No.</u>	<u>Mark No.</u>	<u>Description</u>	<u>Part No.</u>
	1 MIC HP GUARD ASSY	AWX2052	NSP 21	Mini Clamp	VEC1597
	2 IR REG_S ASSY	See Contrast table (2)	22	Cord Clamper /NIP	AEC7655
	3 A-REG_S ASSY	See Contrast table (2)	23	PCB Holder	PNW2029
	4 V-REG_S ASSY	See Contrast table (2)	24	Cushion 11X7	AED7092
	5 VREG CHILD_S ASSY	AWX2176	25	Bonnet (Box)	See Contrast table (2)
	6 USB RECT_S ASSY	See Contrast table (2)	26	Screw	See Contrast table (2)
NSP	7 FFC GUARD_S ASSY	AWX1862	27	Screw	BBT30P080FCC
NSP	8 TRANS VREG STYL_S ASSY	AWX1890	28	Screw (Steel)	ABA1193
⚠	9 Power Transformer	See Contrast table (2)	29	Screw	BBZ30P060FCC
⚠	10 Fuse (FU10)	See Contrast table (2)	30	Screw 4X12 (FE)	ABA7109
⚠	11 Fuse (FU11, FU12, FU15, FU21, FU22)	See Contrast table (2)	31	Screw	IBZ30P180FTC
⚠	12 Fuse (FU13, FU14)	See Contrast table (2)	32	Screw	See Contrast table (2)
⚠	13 Fuse (FU31, FU32)	See Contrast table (2)	33	Binder (BK-1)	ZCA-BK1
	14 39P FFC (J0004)	ADD7787			
	15 3P FFC (J0007)	ADD7793			
NSP	16 Panel Stay 85 (MTL)	ANG7684			
	17 Insulator	See Contrast table (2)			
	18 Cushion /INS	AEB7447			
	19 Nylon Rivet	AEC7406			
	20 Push Rivet	AEC7071			

**(2) CONTRAST TABLE**

SC-95/CUXJ, SC-LX59-K/SYXJ8 and SC-LX59-S/SYXJ8 are constructed the same except for the following:

<u>Mark No.</u>	<u>Symbol and Description</u>	<u>SC-95/CUXJ</u>	<u>SC-LX59-K/SYXJ8</u>	<u>SC-LX59-S/SYXJ8</u>
	2 IR REG_S ASSY	AWX2139	AWX2140	AWX2140
	3 A-REG_S ASSY	AWX2168	AWX2169	AWX2169
	4 V-REG_S ASSY	AWX2172	AWX2173	AWX2173
	6 USB RECT_S ASSY	AWX2177	AWX2178	AWX2178
⚠	9 Power Transformer	ATS7482	ATS7483	ATS7483
⚠	10 Fuse (FU10)	REK1151	AEK1061	AEK1061
⚠	11 Fuse (FU11, FU12, FU15, FU21, FU22)	REK1143	AEK7073	AEK7073
⚠	12 Fuse (FU13, FU14)	REK1142	AEK7072	AEK7072
⚠	13 Fuse (FU31, FU32)	REK1144	AEK7072	AEK7072
	17 Insulator	AMR7707	AMR7709	AMR7709
	25 Bonnet (Box)	AEA7035	AEA7035	AEA7037
	26 Screw	BBZ30P080FTB	BBZ30P080FTB	BBZ30P080FNI
	32 Screw	BCZ40P060FTB	BCZ40P060FTB	BCZ40P060FNI

# 9.3 REAR SECTION





**(1) REAR SECTION PARTS LIST**

<u>Mark No.</u>	<u>Description</u>	<u>Part No.</u>	<u>Mark No.</u>	<u>Description</u>	<u>Part No.</u>
1	AUDIO ASSY	See Contrast table (2)	⚠ 21	Fuse (FU4)	See Contrast table (2)
2	COMPOSITE ASSY	AWX2195	22	15P FFC (J0002)	ADD7790
3	D-AUDIO BRIDGE ASSY	AWX2196	23	9P FFC (J0008)	ADD7794
4	D-DAC BRIDGE ASSY	AWX2197	24	Rear Panel	See Contrast table (2)
5	A-DAC BRIDGE ASSY	AWX2198	25	Right Angle 85 (MTL)	ANG7687
6	PRE BRIDGE_S ASSY	AWX2200	26	Angle /PRI	ANG7747
7	PRIMARY ASSY	See Contrast table (2)	27	Nylon Rivet	AEC7406
8	DAC HIGH ASSY	See Contrast table (2)	28	Insulating Sheet /65	AEC7657
9	COMPONENT ASSY	See Contrast table (2)	29	Cushion Circle 14B	AED7081
10	CONNECT_S ASSY	See Contrast table (2)	NSP 30	Mini Clamp	VEC1597
11	BIND DM CABLE_S ASSY	AWX1863	NSP 31	PCB Spacer	AEC1084
12	P WIRE GUARD_S ASSY	AWX1864	32	Bush /ANT	AMR7706
13	DIGITAL MAIN ASSY	See Contrast table (2)	33	Cushion	AEB7449
NSP 14	BINDFAN CABLE_S ASSY	AWX1865	34	Screw	BBZ30P080FTB
NSP 15	VREG GUARD ASSY	AWX2053	35	Screw	BBZ30P060FCC
16	AM/FM Tuner Unit	See Contrast table (2)	36	Screw	BMZ30P040FTB
17	Other Antenna	ADH7048	37	Screw (Steel)	ABA1207
18	Other Antenna	ADH7049	38	Screw	BPZ30P100FTC
19	Network Module	AXX7293	39	Screw	BSZ30P060FCC
⚠ 20	Fuse (FU1)	See Contrast table (2)	40	Hex Head Screw 2.85X7	ABA7078
			41	Binder (BK-1)	ZCA-BK1

**(2) CONTRAST TABLE**

SC-95/CUXJ, SC-LX59-K/SYXJ8 and SC-LX59-S/SYXJ8 are constructed the same except for the following:

<u>Mark No.</u>	<u>Symbol and Description</u>	<u>SC-95/CUXJ</u>	<u>SC-LX59-K/SYXJ8</u>	<u>SC-LX59-S/SYXJ8</u>
1	AUDIO ASSY	AWX2071	AWX2072	AWX2072
7	PRIMARY ASSY	AWX2031	AWX2032	AWX2032
8	DAC HIGH ASSY	AWX2059	AWX2060	AWX2060
9	COMPONENT ASSY	AWX2101	AWX2102	AWX2102
10	CONNECT_S ASSY	AWX2144	AWX2145	AWX2145
13	DIGITAL MAIN ASSY	AWX2009	AWX2010	AWX2010
16	AM/FM Tuner Unit	AXX7282	AXX7283	AXX7283
⚠ 20	Fuse (FU1)	REK1154	AEK1061	AEK1061
⚠ 21	Fuse (FU4)	REK1139	REK1104	REK1104
24	Rear Panel	ANC8747	ANC8748	ANC8749

# 9.4 CHASSIS SECTION

1

2

3

4

A

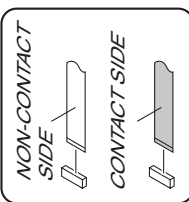
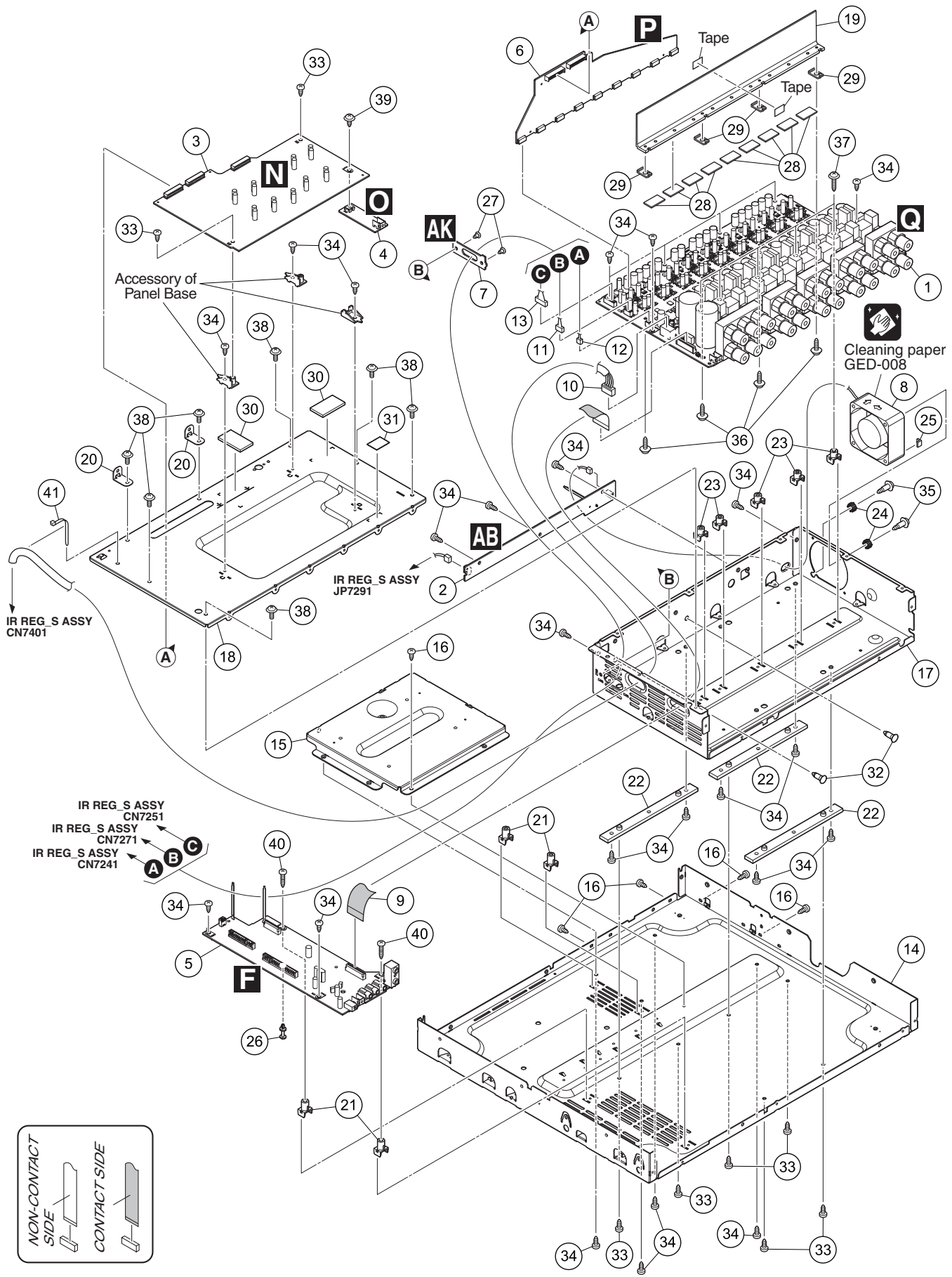
B

C

D

E

F



1

2

3

4

**(1) CHASSIS SECTION PARTS LIST**

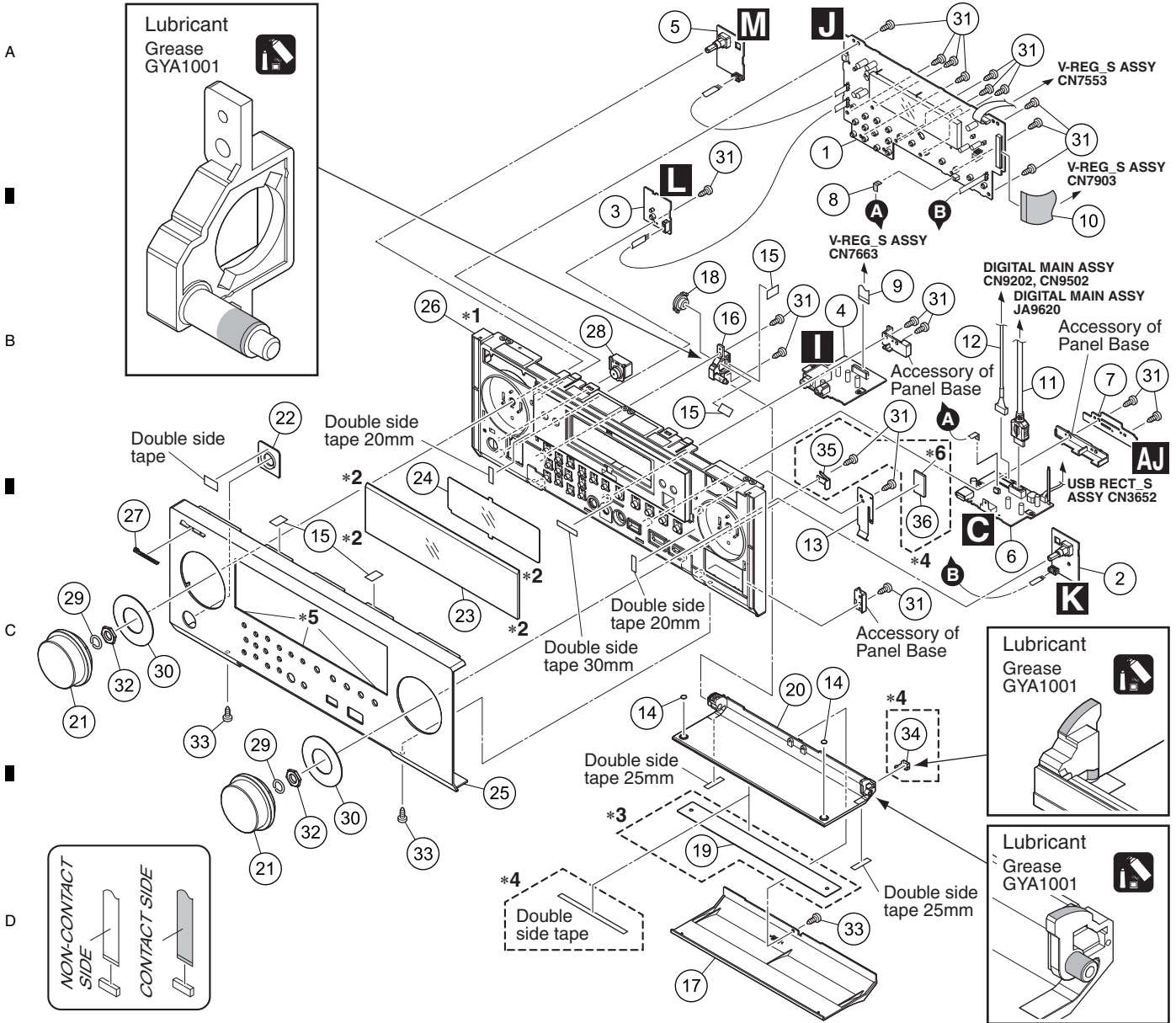
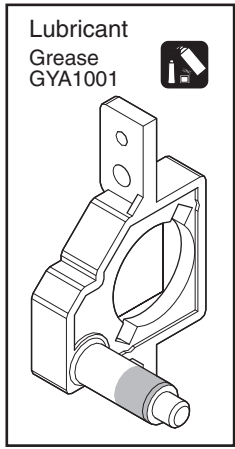
<u>Mark No.</u>	<u>Description</u>	<u>Part No.</u>	<u>Mark No.</u>	<u>Description</u>	<u>Part No.</u>
	1 D AMP_SS ASSY	See Contrast table (2)	21	PCB Mold (PP)	AMR2533
	2 FAN CONNECT_S ASSY	AWX2199	22	Insulator ICE (PLS)	AMR7523
	3 IR BUFFER_S ASSY	See Contrast table (2)	23	PCB Mold (PP)	AMR7536
	4 BUFFER GND ASSY	AWX1789	24	Damper Bushing 83	AEB7425
	5 INTERFACE_S ASSY	See Contrast table (2)	25	Cushion 5X8	AEB7397
	6 IR INTERFACE_S ASSY	AWX1777	26	PCB Spacer	AEC7080
NSP	7 IR EDGE GUARD_S ASSY	AWX1779	27	Nylon Rivet	AEC7406
⚠	8 DC Fan Motor	AXM7040	28	Heat Cond Sheet	AEB7434
	9 19P FFC (J0009)	ADD7795	29	Heat Sink Spacer (PLS)	AMR7568
	10 4P Housing (Y0021)	ADX7779	30	Cushion /T3	AEB7448
	11 4P Housing (Y0022)	ADX7780	31	Insulating Sheet	AEC7654
	12 2P Housing (Y0023)	ADX7781	32	Spacer	AEC1065
	13 7P Housing (Y0024)	ADX7782	33	Screw	BPZ30P080FNI
NSP	14 Chassis /65	ANA7243	34	Screw	BBZ30P060FCC
	15 Frame /TS	ANG7746	35	Screw (3*11.6)	ABA7146
	16 Screw	BBZ30P080FCC	36	Screw	ABA1052
NSP	17 Box /IR	ANF7067	37	Screw	IBZ30P150FCC
NSP	18 Cover /IR	ANF7068	38	Screw	AMZ30P060FTC
NSP	19 Heat Sink 85 (AL)	ANH7234	39	Screw (Steel)	ABA1011
	20 Angle /REG	ANG7748	40	Screw	BBZ30P180FCC
			41	Binder (BK-1)	ZCA-BK1

**(2) CONTRAST TABLE**

SC-95/CUXJ, SC-LX59-K/SYXJ8 and SC-LX59-S/SYXJ8 are constructed the same except for the following:

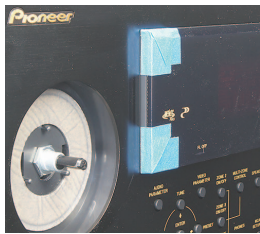
<u>MarkNo.</u>	<u>Symbol and Description</u>	<u>SC-95/CUXJ</u>	<u>SC-LX59-K/SYXJ8</u>	<u>SC-LX59-S/SYXJ8</u>
1	D AMP_SS ASSY	AWH7114	Not used	Not used
	D AMP_S ASSY	Not used	AWH7112	AWH7112
3	IR BUFFER_S ASSY	AWX2097	AWX2098	AWX2098
5	INTERFACE_S ASSY	AWX2135	AWX2136	AWX2136

# 9.5 FRONT SECTION

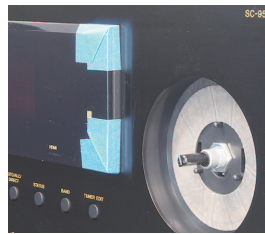


**Note \*1:** Please pay attention not to hurt Panel Base when you remove the Panel.

**Note \*2:** Please tape up at four (4) places to protect Panel Base as shown on the photograph when you remove the Panel.



Left side

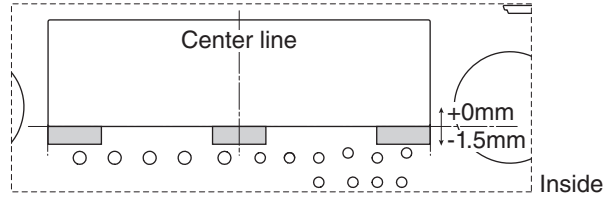


Right side

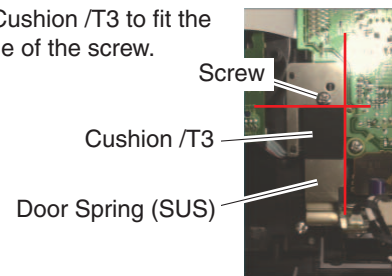
**Note \*3:** SC-95/CUXJ only

**Note \*4:** SC-LX59-K/SYXJ8, SC-LX59-S/SYXJ8 only

**Note \*5:** Double Side Tape (10mm x 30mm) affixing position on the Panel.



**Note \*6:** Put the Cushion /T3 to fit the lower side of the screw.





**(1) FRONT SECTION PARTS LIST**

<u>Mark No.</u>	<u>Description</u>	<u>Part No.</u>	<u>Mark No.</u>	<u>Description</u>	<u>Part No.</u>
	1 DISPLAY ASSY	See Contrast table (2)	21	VOL. Knob	See Contrast table (2)
	2 VOL ASSY	AWX2029	22	Power Ring LX85 (PLS)	See Contrast table (2)
	3 POWER SW ASSY	AWX2030	23	Window	See Contrast table (2)
	4 MIC HP ASSY	See Contrast table (2)	24	Filter (PC)	See Contrast table (2)
	5 ENCODER ASSY	AWX2051	25	Panel	See Contrast table (2)
	6 FRONT HDMI USB ASSY	See Contrast table (2)	△	26 Panel Base	See Contrast table (2)
NSP	7 PANEL GUARD ASSY	AWX2054		27 Pioneer Badge (AL)	See Contrast table (2)
	8 5P FFC (J0001)	ADD7783		28 STDBY BTN LX85 ASSY	See Contrast table (2)
	9 15P FFC (J0003)	ADD7792		29 Ring	ABH7213
	10 39P FFC (J0010)	ADD7796		30 VOL Stabilizer LX85	AEC7644
	11 HDMI Cable (Y0020)	ADX7732		31 Screw	BPZ30P080FNI
	12 Housing(D) (Y0025)	ADX7821		32 Nut	NK90FTC
	13 Door Spring (SUS)	ABK7061		33 Screw	See Contrast table (2)
	14 Cushion Circle 6	See Contrast table (2)		34 Earth Spring 81 (SUS)	See Contrast table (2)
	15 Cushion 11X7	AED7092		35 Earth Spring 85 (SUS)	See Contrast table (2)
	16 Shaft /DOR	AMR7704		36 Cushion /T3	See Contrast table (2)
	17 Door	See Contrast table (2)			
	18 Damper /DOR	AXA7159			
	19 Door Plate LX55 (MTL)	See Contrast table (2)			
	20 Door Base (PLS)	See Contrast table (2)			

**(2) CONTRAST TABLE**

SC-95/CUXJ, SC-LX59-K/SYXJ8 and SC-LX59-S/SYXJ8 are constructed the same except for the following:

<u>MarkNo.</u>	<u>Symbol and Description</u>	<u>SC-95/CUXJ</u>	<u>SC-LX59-K/SYXJ8</u>	<u>SC-LX59-S/SYXJ8</u>
1	DISPLAY ASSY	AWX2022	AWX2023	AWX2023
4	MIC HP ASSY	AWX2044	AWX2045	AWX2045
6	FRONT HDMI USB ASSY	AWX2111	AWX2112	AWX2112
14	Cushion Circle 6	AED7083	AED7083	AED7080
17	Door	AAN7241	ANB7644	ANB7646
19	Door Plate LX55 (MTL)	ANG7682	Not used	Not used
20	Door Base (PLS)	AMR7565	AMR7565	AMR7636
21	VOL. Knob	AAA7068	AAA7064	AAA7071
22	Power Ring LX85 (PLS)	AAK8571	AAK8571	AAK8574
23	Window	AAK8594	AAK8597	AAK8597
24	Filter (PC)	AAK8443	AAK8459	AAK8459
25	Panel	ANB7647	ANB7648	ANB7649
△	26 Panel Base	AMB8085	AMB8086	AMB8087
	27 Pioneer Badge (AL)	VAM1159	VAM1158	VAM1158
	28 STDBY BTN LX85 ASSY	AAD7804	AAD7804	AAD7807
	33 Screw	BBZ30P080FTB	BBZ30P080FTB	BBZ30P080FNI
	34 Earth Spring 81 (SUS)	Not used	ABK7067	ABK7067
	35 Earth Spring 85 (SUS)	Not used	ABK7070	ABK7070
	36 Cushion /T3	Not used	AEB7448	AEB7448

# 10. PCB PARTS LIST

NOTES: ● Parts marked by "NSP" are generally unavailable because they are not in our Master Spare Parts List.

● The  $\triangle$  mark found on some component parts indicates the importance of the safety factor of the part. Therefore, when replacing, be sure to use parts of identical designation.

● When ordering resistors, first convert resistance values into code form as shown in the following examples.

Ex.1 When there are 2 effective digits (any digit apart from 0), such as 560 ohm and 47 k ohm (tolerance is shown by J = 5%, and K = 10%).

560  $\Omega$   $\rightarrow$  56  $\times 10^1$   $\rightarrow$  561 ..... RD1/APU  $\begin{matrix} 5 & 6 & 1 \\ \hline & & J \end{matrix}$

47 k $\Omega$   $\rightarrow$  47  $\times 10^3$   $\rightarrow$  473 ..... RD1/APU  $\begin{matrix} 4 & 7 & 3 \\ \hline & & J \end{matrix}$

0.5  $\Omega$   $\rightarrow$  R50 ..... RN2H  $\begin{matrix} R & 5 & 0 \\ \hline & & K \end{matrix}$

1  $\Omega$   $\rightarrow$  1R0 ..... RSIP  $\begin{matrix} 1 & R & 0 \\ \hline & & K \end{matrix}$

Ex.2 When there are 3 effective digits (such as in high precision metal film resistors).

5.62 k $\Omega$   $\rightarrow$  562  $\times 10^1$   $\rightarrow$  5621 ..... RN1/4PC  $\begin{matrix} 5 & 6 & 2 & 1 \\ \hline & & & F \end{matrix}$

Mark	No.	Description	Part No.	Mark	No.	Description	Part No.
<b>LIST OF ASSEMBLIES</b>							
		1...D AMP_SS ASSY (SC-95)	AWH7114	NSP	1...	INTERFACE REG_S ASSY (SC-95)	AWR7302
					2...	INTERFACE_S ASSY	AWX2135
		1...D AMP_S ASSY (SC-LX59)	AWH7112		2..	IR REG_S ASSY	AWX2139
					2..	CONNECT_S ASSY	AWX2144
NSP	1...	AUDIO COMPOSITE_H ASSY (SC-95)	AWR7283	NSP	2..	TRANS VREG STYL_S ASSY	AWX1890
	2..	AUDIO ASSY	AWX2071		1...	INTERFACE REG_S ASSY (SC-LX59)	AWR7303
	2..	COMPOSITE ASSY	AWX2195		2..	INTERFACE_S ASSY	AWX2136
	2..	D-AUDIO BRIDGE ASSY	AWX2196		2..	IR REG_S ASSY	AWX2140
	2..	D-DAC BRIDGE ASSY	AWX2197		2..	CONNECT_S ASSY	AWX2145
	2..	A-DAC BRIDGE ASSY	AWX2198	NSP	2..	TRANS VREG STYL_S ASSY	AWX1890
	2..	FAN CONNECT_S ASSY	AWX2199		1...	PRE POWER_S ASSY (SC-95)	AWR7312
	2..	PRE BRIDGE_S ASSY	AWX2200		2..	A-REG_S ASSY	AWX2168
NSP	1...	AUDIO COMPOSITE_H ASSY (SC-LX59)	AWR7284		2..	V-REG_S ASSY	AWX2172
	2..	AUDIO ASSY	AWX2072		2..	VREG CHILD_S ASSY	AWX2176
	2..	COMPOSITE ASSY	AWX2195		2..	USB RECT_S ASSY	AWX2177
	2..	D-AUDIO BRIDGE ASSY	AWX2196		2..	BIND DM CABLE_S ASSY	AWX1863
	2..	D-DAC BRIDGE ASSY	AWX2197		2..	P WIRE GUARD_S ASSY	AWX1864
	2..	A-DAC BRIDGE ASSY	AWX2198	NSP	2..	FFC GUARD_S ASSY	AWX1862
	2..	FAN CONNECT_S ASSY	AWX2199	NSP	2..	BINDFAN CABLE_S ASSY	AWX1865
	2..	PRE BRIDGE_S ASSY	AWX2200		1...	PRE POWER_S ASSY (SC-LX59)	AWR7313
NSP	1...	PRIM DISPLAY ASSY (SC-95)	AWM8410		2..	A-REG_S ASSY	AWX2169
	2..	DISPLAY ASSY	AWX2022		2..	V-REG_S ASSY	AWX2173
	2..	VOL ASSY	AWX2029		2..	VREG CHILD_S ASSY	AWX2176
	2..	POWER SW ASSY	AWX2030		2..	USB RECT_S ASSY	AWX2178
	2..	PRIMARY ASSY	AWX2031		2..	BIND DM CABLE_S ASSY	AWX1863
	2..	ENCODER ASSY	AWX2051		2..	P WIRE GUARD_S ASSY	AWX1864
	2..	MIC HP ASSY	AWX2044	NSP	2..	FFC GUARD_S ASSY	AWX1862
	2..	MIC HP GUARD ASSY	AWX2052	NSP	2..	BINDFAN CABLE_S ASSY	AWX1865
NSP	2..	VREG GUARD ASSY	AWX2053		1...	IR INTERFACE_S ASSY	AWX1777
NSP	2..	PANEL GUARD ASSY	AWX2054		2..	IR INTERFACE_S ASSY	AWX1777
NSP	1...	PRIM DISPLAY ASSY (SC-LX59)	AWM8411	NSP	2..	IR EDGE GUARD_S ASSY	AWX1779
	2..	DISPLAY ASSY	AWX2023		1...	DAC HIGH ASSY (SC-95)	AWX2059
	2..	VOL ASSY	AWX2029		1...	DAC HIGH ASSY (SC-LX59)	AWX2060
	2..	POWER SW ASSY	AWX2030		1...	COMPONENT ASSY (SC-95)	AWX2101
	2..	PRIMARY ASSY	AWX2032		1...	COMPONENT ASSY (SC-LX59)	AWX2102
	2..	ENCODER ASSY	AWX2051		1...	DIGITAL MAIN ASSY (SC-95)	AWX2009
	2..	MIC HP ASSY	AWX2045		2..	NETWORK MODULE	AXX7293
	2..	MIC HP GUARD ASSY	AWX2052		1...	DIGITAL MAIN ASSY (SC-LX59)	AWX2010
NSP	2..	VREG GUARD ASSY	AWX2053		2..	NETWORK MODULE	AXX7293
NSP	2..	PANEL GUARD ASSY	AWX2054		1...	FRONT HDMI USB ASSY (SC-95)	AWX2111
NSP	1...	IR BUFFER ASSY (SC-95)	AWM8427		1...	FRONT HDMI USB ASSY (SC-LX59)	AWX2112
	2..	IR BUFFER_S ASSY	AWX2097				
	2..	BUFFER GND ASSY	AWX1789				
NSP	1...	IR BUFFER ASSY (SC-LX59)	AWM8428				
	2..	IR BUFFER_S ASSY	AWX2098				
	2..	BUFFER GND ASSY	AWX1789				

## C FRONT HDMI USB ASSY

AWX2111 and AWX2112 are constructed the same except for the following:

Mark	Symbol and Description	AWX2111	AWX2112
	C8048	CEAK470M25	ACH7377
	C8086	Not Used	CCH1814

## J DISPLAY ASSY

AWX2022 and AWX2023 are constructed the same except for the following:

Mark	Symbol and Description	AWX2022	AWX2023
	CN82	Not Used	B3P5-VH
	RY71	Not Used	ASR7034

## R PRIMARY ASSY

AWX2031 and AWX2032 are constructed the same except for the following:

Mark	Symbol and Description	AWX2031	AWX2032
	CN81	B2P3-VH	Not Used
	CN82	Not Used	B3P5-VH
	L1	ATF7046	ATF7050
	C56	CKSQYB104K50	ACE7100

## T IR REG\_S ASSY

AWX2139 and AWX2140 are constructed the same except for the following:

Mark	Symbol and Description	AWX2139	AWX2140
	IC7271	NJM78M08FA	Not Used
	IC7272	NJM79M08FA	Not Used
	Q7211	Not Used	2SD2400A
	Q7212	Not Used	2SB1569A(DE)
	D7200	1SS355	Not Used
	D7271-7274	1SR154-400	Not Used
	H7201-7204	AKR1004	Not Used
	CN7201	B8B-EH	Not Used
	CN7271	KM200NA4	Not Used
	CN7281	CKS3368	Not Used
	7402,7403	Not Used	IBZ30P080FCC
	7400,7401	Not Used	ANH7250
	JH7251-7254	Not Used	AEF7008
	R7221	RS1/10SR223J	Not Used
	R7222	RS1/10SR104J	Not Used
	R7258	RS1/4SA824J	Not Used
	R7260	RS1/8SQ105J	Not Used
	R7271	RS1/10SR0R0J	Not Used
	R7272	ACN7180	Not Used
	R7273,R7274	RS1/4SA105J	Not Used
	R7400	RS1/4SA913J	RS1/4SA104J
	C7221	CEAK470M25	Not Used
	C7246	CEAK470M25	ACH7377
	C7259	Not Used	RS1/10SR754J
	C7270	CFTLA474J2A	Not Used
	C7271,C7272	CEAK222M16	Not Used
	C7283,C7284	CEAK471M16	Not Used

**Mark No. Description** **Part No.**

**Mark No. Description** **Part No.**

## **A** AUDIO ASSY (SC-95)

### SEMICONDUCTORS

IC 2501	BD3473KS2
IC 2701,2703	TC4066BFT
IC 2702,2704	NJM4585M
Q 2701	DTC115EUA
Q 2702	DTA124EUA
Q 2971,6701	IMX25
Q 3001	2SD2400A
Q 3002	2SB1569A
D 3001,3002	DZ2J075M0

### MISCELLANEOUS

JA 2501,6701 RCA JACK	AKB7246
JA 2505,2506 RCA JACK	AKB7247
CN2502 B TO B CONNECTOR	AKP7269
CN2503 CONNECTOR	9607S-15F
CN3001 20P SOCKET	AKP7249
JP 3001 CONNECTOR ASSY	PF05PG-S20

### RESISTORS

R 2687	RS1/8SQ105J
R 2688	RS1/8SQ132J
R 3031	RS1/8SQ475J
R 3032	RS1/8SQ182J
Other Resistors	RS1/10SR###J

### CAPACITORS

C 2507,2508	CEAK101M16
C 2700	CCSQCH101J50
C 2701,2702,2707,2708	CEAK220M50
C 2709	CFHXSQ103J16
C 2971,2972,6703,6704	CCSRCH471J50
C 3001,3002	CEAK2R2M50
C 6701,6702	CEAK100M50

## **A** AUDIO ASSY (SC-LX59)

### SEMICONDUCTORS

IC 2501	BD3473KS2
IC 2701,2703	TC4066BFT
IC 2702,2704	NJM4585M
Q 2701	DTC115EUA
Q 2702	DTA124EUA
Q 2971,6701	IMX25
Q 3001	2SD2400A
Q 3002	2SB1569A
D 3001,3002	DZ2J075M0

### MISCELLANEOUS

JA 2501,6701 RCA JACK	AKB7246
JA 2505,2506 RCA JACK	AKB7247
CN2502 B TO B CONNECTOR	AKP7269
CN2503 CONNECTOR	9607S-15F
CN3001 20P SOCKET	AKP7249
JP 3001 CONNECTOR ASSY	PF05PG-S20

### RESISTORS

R 2687	RS1/8SQ105J
R 2688	RS1/8SQ132J
R 3031	RS1/8SQ475J

R 3032	RS1/8SQ182J
Other Resistors	RS1/10SR###J

### CAPACITORS

C 2507,2508	CEAK101M16
C 2683	CKSRBY103K50
C 2700	CCSQCH101J50
C 2701,2702,2707,2708	CEAK220M50
C 2709	CFHXSQ103J16
C 2971,2972,6703,6704	CCSRCH471J50
C 3001,3002	CEAK2R2M50
C 6701,6702	CEAK100M50

## **B** DAC HIGH ASSY (SC-95)

### SEMICONDUCTORS

IC 2002	NJM2881F33
IC 2003	AK4118AEQ8
IC 2006	TC74VHC08FK
IC 2007	TC74VHC32FK
IC 2009,2010	ES9016SD1
IC 2011-2025,2033,2035	NJM4585M
IC 2026,2038	AK4388ET
IC 2027	PCM1804DB
IC 2028,2037	S-1172B12-E6
IC 2029,2031,2036	NJM2872BF33
IC 2030,2040	S-1172B33-E6
IC 2032,2039	NJM4565MD
IC 2034	NJM2845DL1-05
IC 2041,2042,2051-2053	NJM4585M
Q 2001,2002	HN1K02FU
Q 2003,2004	2SA1576A
Q 2005	2SC4081
D 2004,2007	DAN202U
D 2005,2006	DAP202U

### MISCELLANEOUS

L 2001,2005,2006,2008	QTL1013
L 2009,2011,2012,2016	QTL1013
L 2010	VTL1129
JA 2002,2004	AKS7008
JA 2006	AKS7009
JA 2009	AKB7173
KN2001,2002	VNE1948
X 2001	ASS7124
CN2001,2002	BKP1047
CN2003	AKP7269
CN2004	AKP7249

### RESISTORS

R 2003,2138-2140	RS1/16SS220J
R 2004,2005,2022,2028	RS1/16SS101J
R 2035	RS1/16SS1002F
R 2041	RS1/16SS181J
R 2042,2044-2046	RS1/16SS121J
R 2043	RS1/16SS471J
R 2047,2417-2419	RS1/16SS221J
R 2048,2117,2134,2135	RS1/16SS101J
R 2049,2051,2052	RS1/16SS470J
R 2050,2053,2421	RS1/16SS680J
R 2054-2056,2146	RS1/16SS470J
R 2058,2059	RS1/8SQ225J



Mark	No.	Description	Part No.	Mark	No.	Description	Part No.
R	2064,2122,5395,5396		RS1/16SS0R0J	C	2040		CEAK102M16
R	2066,2067,2073,2074		RS1/16SS100J	C	2043		ACH7388
R	2077-2083,2105-2112		RS1/16SS100J	C	2045		CCSRCH180J50
R	2118-2121,2123,2149		RS1/16SS100J	C	2046		CKSRYB474K16
R	2141,2147,2148,2150		RS1/16SS101J	C	2047		CCSSCH470J50
R	2151,2416,2420,2425		RS1/16SS101J	C	2051,2273		CEAK101M16
R	2167,2168,2195,2198		RS1/8SQ0R0J	C	2053,2058,2059,2065		CCSRCH100D50
R	2172,2174		RS1/4SAR47J	C	2055		CEHAZL221M10
R	2173,2175,5225,5447		RS1/4SA1R0J	C	2082,2267,2291		CKSRYB103K50
R	2190,2191,2196,2197		RS1/8SQ103J	C	2086		CCSRCH271J50
R	2199,2200		RS1/8SQ103J	C	2087,2089,2091,2093		CEAK470M25
R	2204,2205,5407,5408		RS1/8SQ0R0J	C	2088,2092,2334,5402		CEAK221M16
R	2245,2248,2249,2252		RS1/4SA272J	C	2117,2118,2136		CKSQYB103K50
R	2253,2256,2257,2260		RS1/4SA272J	C	2125,2126,2316,2317		CEAK100M50
R	2261,2264,2265,2268		RS1/4SA272J	C	2128-2131,2281,2288		CFHXSQ103J16
R	2269,2272,2273,2276		RS1/4SA272J	C	2135,2350,2357,2491		CCSQCH331J50
R	2277,2280,2281,2284		RS1/4SA272J	C	2150-2169,2358,2408		CFHXSQ101J50
R	2285-2304,5233,5234		RS1/4SA123J	C	2190-2195,2198-2209		CCSQCH472J50
R	2305,2308,2309,2312		RS1/4SA272J	C	2196,2197,2412,2413		CCSQCH222J50
R	2313,2316,2325,2328		RS1/4SA332J	C	2215,2219,2221,2223		CCSQCH471J50
R	2317,2320,5235,5238		RS1/4SA562J	C	2217,2369,2414,2418		CCSQCH271J50
R	2321,2324,2337,2340		RS1/4SA272J	C	2225,2227,2229,2283		CCSQCH471J50
R	2329,2332,2333,2336		RS1/4SA332J	C	2230,2231,2233,2234		CEAK220M50
R	2341,2344,5229,5232		RS1/4SA272J	C	2238,2239,2305,2306		CEAK220M50
R	2422-2424		RS1/16SS121J	C	2240-2249,2266,2284		CKSQYB103K50
R	2428,5465		RS1/16SS473J	C	2268,2269,2292,2293		CKSRYB104K50
R	2436,2462		RS1/8SQ184J	C	2274,2287,2294,2384		CEAK470M25
R	2440-2443,5463,5472		RS1/16SS101J	C	2277,2298,2307,2352		CEHAZL101M10
R	2446,2465,2474,5223		RS1/16SS100J	C	2279,2282,2311,2351		CKSQYB104K50
R	2485,2493		RS1/8SQ105J	C	2290		CEHAZL470M25
R	2490		RS1/8SQ242J	C	2296,2318,2382,2386		CKSQYB103K50
R	5377,5380		RS1/8SQ154J	C	2299		CCSQCH5R0C50
R	5378,5379		RS1/8SQ224J	C	2308		CCH1814
R	5409-5412,5488,5489		RS1/8SQ100J	C	2314,2315		DCH1263
R	5417,5418,8220,8326		RS1/16SS100J	C	2319,2320,2338,2339		CEAK100M50
R	5419,5429,5430,8257		RS1/16SS0R0J	C	2322,2323,2393,2394		CCSRCH391J50
R	5448,5499		RS1/4SA1R0J	C	2324,2325,2395,2396		CCSRCH471J50
R	5459-5462		RS1/16SS221J	C	2329-2331,2335,2336		CFHXSQ103J16
R	5473		RS1/16SS101J	C	2332		DCH1201
R	5500,8260,8261		RS1/4SA0R0J	C	2342-2344,2349,2354		CFHXSQ103J16
R	8231-8233,8268,8269		RS1/16SS220J	C	2345,2348		CEAK101M35
R	8258		RS1/16SS0R0J	C	2359		CFHXSQ102J50
R	8281		RS1/16SS103J	C	2362,5401		CKSQYB104K50
R	8283,8285		RS1/8SQ0R0J	C	2363		CCSQCH221J50
R	8290,8293,8296,8299		RS1/4SA272J	C	2366-2368,2370-2375		CCSQCH471J50
R	8294,8295,8311,8312		RS1/4SA123J	C	2388,2403		CEHAZL101M10
R	8307,8310,8313,8316		RS1/4SA272J	C	2391,2392,2415,5433		CEAK220M50
Other Resistors			RS1/10SR###J	C	2397,2398		CFHXSQ103J16
<b>CAPACITORS</b>				C	2399,2400		CEAK100M50
C	2005,2006,2138,2139		CKSQYB104K50	C	2409,5412,5413,5423		CFHXSQ101J50
C	2007,2099,2100,2102		CKSQYB103K50	C	2474,2476,5419,5430		CKSQYB103K50
C	2009,2021,2081,2083		CEAK221M16	C	2485		CEAK470M25
C	2011,2116,2211,2213		CCSQCH471J50	C	2486		ACE7106
C	2014,2098,2106,2133		CCSQCH331J50	C	2488		CCG1321
C	2029,2032,2499		ACE7097	C	2490,2495		ACE7101
C	2030,2033		ACE7100	C	2496		CFHXSQ331J50
C	2037,2050,2068		CKSSYB104K16	C	5404		CCSQCH331J50
C	2038		CCSSCH221J50	C	5416,5417,5427,5428		CCSQCH472J50
C	2039,2048,2071		CKSSYB103K25	C	5418,5421,5429,5432		CCSQCH471J50
				C	5424		CFHXSQ101J50

Mark	No.	Description	Part No.
------	-----	-------------	----------

Mark	No.	Description	Part No.
------	-----	-------------	----------

	C 5434		CEAK220M50
--	--------	--	------------

	R 2190,2191,2196,2197		RS1/8SQ103J
	R 2199,2200		RS1/8SQ103J
	R 2204,2205,5407,5408		RS1/8SQ0R0J
	R 2245,2248,2249,2252		RS1/4SA272J

**B** DAC HIGH ASSY (SC-LX59)

**SEMICONDUCTORS**

⚠	IC 2002	NJM2881F33
	IC 2003	AK4118AEQ8
	IC 2006	TC74VHC08FK
	IC 2007	TC74VHC32FK
	IC 2009,2010	ES9016SD1

	R 2253,2256,2257,2260		RS1/4SA272J
	R 2261,2264,2265,2268		RS1/4SA272J
	R 2269,2272,2273,2276		RS1/4SA272J
	R 2277,2280,2281,2284		RS1/4SA272J
	R 2285-2304,5233,5234		RS1/4SA123J

B	IC 2011-2025,2033,2035	NJM4585M
	IC 2026,2038	AK4388ET
	IC 2027	PCM1804DB
⚠	IC 2028,2037	S-1172B12-E6
⚠	IC 2029,2031,2036	NJM2872BF33

	R 2305,2308,2309,2312		RS1/4SA272J
	R 2313,2316,2325,2328		RS1/4SA332J
	R 2317,2320,5235,5238		RS1/4SA562J
	R 2321,2324,2337,2340		RS1/4SA272J
	R 2329,2332,2333,2336		RS1/4SA332J

⚠	IC 2030,2040	S-1172B33-E6
	IC 2032,2039	NJM4565MD
⚠	IC 2034	NJM2845DL1-05
	IC 2041,2042,2051-2053	NJM4585M
	Q 2001,2002	HN1K02FU

	R 2341,2344,5229,5232		RS1/4SA272J
	R 2422-2424		RS1/16SS121J
	R 2428,5465		RS1/16SS473J
	R 2436,2462		RS1/8SQ184J
	R 2440-2443,5463,5472		RS1/16SS101J

	Q 2003,2004	2SA1576A
	Q 2005	2SC4081
	D 2004,2007	DAN202U
C	D 2005,2006	DAP202U

	R 2446,2465,2474,5223		RS1/16SS100J
	R 2485,2493		RS1/8SQ105J
	R 2490		RS1/8SQ242J
	R 5377,5380		RS1/8SQ154J
	R 5378,5379		RS1/8SQ224J

**MISCELLANEOUS**

	L 2001,2005,2006,2008	QTL1013
	L 2009,2011,2012,2016	QTL1013
	L 2010	VTL1129
	JA 2002,2004	AKS7008
	JA 2006	AKS7009

	R 5409-5412,5488,5489		RS1/8SQ100J
	R 5417,5418,8220,8326		RS1/16SS100J
	R 5419,5429,5430,8257		RS1/16SS0R0J
	R 5448,5499		RS1/4SA1R0J
	R 5459-5462		RS1/16SS221J

	JA 2009	AKB7173
	KN2001,2002	VNE1948
	X 2001	ASS7124
	CN2001,2002	BKP1047
D	CN2003	AKP7269

	R 5473		RS1/16SS101J
	R 5500,8260,8261		RS1/4SA0R0J
	R 8231-8233,8268,8269		RS1/16SS220J
	R 8258		RS1/16SS0R0J
	R 8281		RS1/16SS103J

	CN2004	AKP7249
--	--------	---------

	R 8283,8285		RS1/8SQ0R0J
	R 8290,8293,8296,8299		RS1/4SA272J
	R 8294,8295,8311,8312		RS1/4SA123J
	R 8307,8310,8313,8316		RS1/4SA272J
	Other Resistors		RS1/10SR###J

**RESISTORS**

	R 2003,2138-2140	RS1/16SS220J
	R 2004,2005,2022,2028	RS1/16SS101J
	R 2035	RS1/16SS1002F
	R 2041	RS1/16SS181J
	R 2042,2044-2046	RS1/16SS121J

**CAPACITORS**

	C 2005,2006,2138,2139	CKSQYB104K50
	C 2007,2099,2100,2102	CKSQYB103K50
	C 2009,2021,2081,2083	CEAK221M16
	C 2011,2116,2211,2213	CGSQCH471J50
	C 2014,2106,2133,2135	CGSQCH331J50

	R 2043	RS1/16SS471J
	R 2047,2417-2419	RS1/16SS221J
E	R 2048,2117,2134,2135	RS1/16SS101J
	R 2049,2051,2052	RS1/16SS470J
	R 2050,2053,2421	RS1/16SS680J

	C 2029,2032,2499	ACE7097
	C 2030,2033	ACE7100
	C 2037,2050,2068	CKSSYB104K16
	C 2038	CGSSCH221J50
	C 2039,2048,2071	CKSSYB103K25

	R 2054-2056,2146	RS1/16SS470J
	R 2058,2059	RS1/8SQ225J
	R 2064,2122,5395,5396	RS1/16SS0R0J
	R 2066,2067,2073,2074	RS1/16SS100J
	R 2077-2083,2105-2112	RS1/16SS100J

	C 2040	CEAK102M16
	C 2043,2055	ACH7388
	C 2045	CCSRCH180J50
	C 2046	CKSRYB474K16
	C 2047	CGSSCH470J50

	R 2118-2121,2123,2149	RS1/16SS100J
	R 2141,2147,2148,2150	RS1/16SS101J
	R 2151,2416,2420,2425	RS1/16SS101J
F	R 2167,2168,2195,2198	RS1/8SQ0R0J
	R 2172,2174	RS1/4SAR47J

	C 2051,2273	CEAK101M16
	C 2053,2058,2059,2065	CCSRCH100D50
	C 2082,2267,2291	CKSRYB103K50
	C 2086	CCSRCH271J50
	C 2087,2089,2091,2093	CEAK470M25

	R 2173,2175,5225,5447	RS1/4SA1R0J
--	-----------------------	-------------

Mark	No.	Description	Part No.	Mark	No.	Description	Part No.
				<b>MISCELLANEOUS</b>			
C	2088,2092,2334,5402		CEAK221M16	L	8001,8002		ATL7010
C	2098		ACE7105	L	8003		CTH1446
C	2117,2118,2136		CKSQYB103K50	F	8001		DTL1106
C	2125,2126,2316,2317		CEAK100M50	JA	8001		DKN1658
C	2128-2131,2281,2288		CFHXSQ103J16	JA	8002		AKP7286
C	2150-2169,2358,2408		CFHXSQ101J50	JA	8003		AKP7280
C	2190-2195,2198-2209		CCSQCH472J50	KN	8001,8002		AKF7002
C	2196,2197,2412,2413		CCSQCH222J50	CN	8001		AKM1279
C	2215,2219,2221,2223		CCSQCH471J50	CN	8002		VKN1374
C	2217,2369,2414,2418		CCSQCH271J50	JH	8002		AEF7008
C	2225,2227,2229,2283		CCSQCH471J50	JP	8001		ADX7760
C	2230,2231,2233,2234		CEAK220M50				
C	2238,2239,2305,2306		CEAK220M50				
C	2240-2249,2266,2284		CKSQYB103K50				
C	2268,2269,2292,2293		CKSRYB104K50				
C	2274,2287,2294,2384		CEAK470M25				
C	2277,2298,2307,2352		CEHAZL101M10				
C	2279,2282,2311,2351		CKSQYB104K50				
C	2290		CEHAZL470M25	R	8045		RS1/16SS2200F
C	2296,2318,2382,2386		CKSQYB103K50	R	8046		RS1/16SS8201F
C	2299		CCSQCH5R0C50	R	8055,8091		RS1/4SA105J
C	2308		CCH1814	R	8092-8095		RS1/8SQ0R0J
C	2314,2315		DCH1263	Other Resistors			
C	2319,2320,2338,2339		CEAK100M50				
C	2322,2323,2393,2394		CCSRCH391J50				
C	2324,2325,2395,2396		CCSRCH471J50				
C	2329-2331,2335,2336		CFHXSQ103J16				
C	2332		DCH1201				
C	2342-2344,2349,2354		CFHXSQ103J16				
C	2345,2348		CEAK101M35				
C	2350,2357,2491,5404		CCSQCH331J50				
C	2359		CFHXSQ102J50				
C	2362,5401		CKSQYB104K50				
C	2363		CCSQCH221J50				
C	2366-2368,2370-2375		CCSQCH471J50				
C	2388,2403		CEHAZL101M10				
C	2391,2392,2415,5433		CEAK220M50				
C	2397,2398		CFHXSQ103J16				
C	2399,2400		CEAK100M50				
C	2409,5412,5413,5423		CFHXSQ101J50				
C	2474,2476,5419,5430		CKSQYB103K50				
C	2485		CEAK470M25				
C	2486		ACE7106				
C	2488		ACE7112				
C	2490,2495		ACE7101				
C	2496		CFHXSQ331J50				
C	5416,5417,5427,5428		CCSQCH472J50				
C	5418,5421,5429,5432		CCSQCH471J50				
C	5424		CFHXSQ101J50				
C	5434		CEAK220M50				

## **C** FRONT HDMI USB ASSY

### **SEMICONDUCTORS**

⚠	IC 8002	BD82065FVJ
	IC 8003	PCA9517DGK
⚠	IC 8004	BD9329EFJ
	Q 8004	2SC4081
	D 8004	DZ2J056M0

## **D** USB RECT\_S ASSY

### **SEMICONDUCTORS**

⚠	D 3651	D5SBA60
---	--------	---------

### **MISCELLANEOUS**

H	3651,3652 FUSE CLIP	AKR1004
KN	3651 EARTH TERMINAL	AKF7002
CN	3652,3653 2P TOP POST	B2B-EH
JH	3651-3654 PCB BINDER	AEF7008

### **RESISTORS**

R	3652	RS1/4SA105J
R	3655	RS1/10SR0R0J
Other Resistors		RS1/8SQ###J

### **CAPACITORS**

C	3651	CFTLA104J50
C	3659	RS1/8SQ105J
C	3661	CKSQYB104K50
C	3662	CCSQCH331J50
C	3665,3666	CEAK472M25

Mark	No.	Description	Part No.	Mark	No.	Description	Part No.
		<b>E DIGITAL MAIN ASSY (SC-95)</b>					
A		<b>SEMICONDUCTORS</b>				<b>MISCELLANEOUS</b>	
		IC 101	R5S726B0D216FP			Q 1509	DTA124EUA
		IC 102,9001,9702	M12L64164A-5TG2Y			Q 9001,9606,9608,9610	DTC114YUA
		IC 102,9001,9702	A3V64S40GTP-60			Q 9603,9607,9609,9611	DTC124EUA
		IC 103	AYW7406			D 601	RB501VM-40
		IC 105,1521,9208	TC7SH08FUS1			D 603	1SS355
		IC 107,608,609,612	TC74VHCT08AFKS1				
		IC 451	TPS65251RHA			L 102,103,105,106	VTL1129
		IC 603	PE7008A			L 321,341,361,603	VTL1129
		IC 604,1808	TC7WHU04FK			L 342,9007,9704	RS1/16SS0R0J
		IC 610,1509,1806	74VHC126FT			L 451	ATH7105
		IC 611	74VHCT126AFT			L 452,9407	ATH7106
		IC 613,1601,1603,1616	TC74VHC08FK			L 453,9410	ATH7107
		IC 614,1502	TC74VHCT08AFKS1			L 454,455,457-459	ATL7010
		IC 615	TC7SZ126FUS1			L 475,476,918,1210	ATL7010
		IC 901,903	74LCX541FT			L 604	RS1/16SS100J
		IC 909	ADV7181CBSTZ			L 606,608,609,902	VTL1129
		IC 1204	88DE2750			L 907,917,919,1208	VTL1129
		IC 1212	K4T51163QQ-BCE7			L 921	CTF1547
		IC 1216	BD3539NUX			L 922-924	ATL7033
		IC 1501,1516,1815,1817	TC74VHC157FK			L 925-927	ATL7035
		IC 1503,1515,1814,1818	TC74LCX157FK			L 1151-1154,1609-1612	ATH7099
		IC 1507	TC7WH157FU			L 1155,1618,1642	CTF1528
		IC 1508	TC7SET08FUS3			L 1209,1501-1503	VTL1129
		IC 1511	ICS511MLF			L 1211,1601,9002,9003	ATL7010
		IC 1602	MN864787			L 1505-1507,1515,1521	VTL1129
		IC 1605,1610,1615	BD2242G-G			L 1510,9004,9703,9705	VTL1128
		IC 1606-1608	TC74VCX541FK			L 1602,1604,1619-1621	VTL1129
		IC 1609	MN864788			L 1617	VTL1126
		IC 1804	TC74LCX08FK			L 1638-1641,9215,9216	ATH7099
		IC 9002	CS49844A			L 1801,1806-1808,1810	VTL1129
		IC 9004	AYW7408			L 1815,9005,9009,9101	VTL1129
		IC 9005	74VHC4040FT			L 9203-9206,9402,9406	ATL7010
		IC 9006,9101	TC74VHC157FK			L 9211,9219,9861	VTL1129
		IC 9202	AYW7421			L 9217	CTF1703
		IC 9206	H337S3959			L 9408,9411,9412,9502	ATL7010
		IC 9402,9518	S-1172B10-U5			L 9505,9510-9513,9610	ATL7010
		IC 9403	MM3543BH			L 9612,9702	ATL7010
		IC 9404,9505	MM3529A18P			L 9701	RS1/8SQ0R0J
		IC 9406	MM3411A50N			F 1603,1605-1608,1613	DTL1106
		IC 9407,9508	MM3529A25P			F 1614,1622-1625	DTL1106
		IC 9408	MM3542BF			JA 1601-1603,9601-9607	AKP7286
		IC 9502	S-13A1A00-E6			JA 9202	AKN7115
		IC 9504,9511	MM3529A50P			JA 9620	AKP7286
		IC 9512	NJM2872BF33			KN 602,9402,9403	VNE1948
		IC 9513	NJM2846DL3-33			KN 9201	ANG7840
		IC 9514,9515,9523	MIC94325YMT			X 101	ASS7120
		IC 9602	SII9589CTUC-3			X 602	ASS7126
		IC 9603	BD82065FVJ			X 902	ASS7111
		IC 9703	D808K013DPTP456			X 1201	ASS7114
		IC 9704	AYW7410			X 1501	ASS7102
		Q 601,602,701,1501	DTC124EUA			X 1502	ASS7101
		Q 603,1502-1505,1508	DTA124EUA			X 1601,1602	ASS7123
		Q 906-908,1001,1506	2SA1576A			X 9001	DSS1203
		Q 909-911	2SC4081			CN 601	VKN2098
		Q 912	HN1K02FU			CN 602	AKN7155
						CN 603	AKN7152
						CN 901	AKN7073
						CN 1502	AKP7251
						CN 9202	AKM1276



Mark	No.	Description	Part No.	Mark	No.	Description	Part No.
	CN 9203,9204		AKM7235	R	9466		RS1/16SS1201F
	CN 9501		B7B-EH	R	9485		RS1/8SQ225J
	CN 9502		AKM1274	R	9513,9606,9609		RS1/8SQ0R0J
	CN 9701,9702		BKP1047	R	9515		RS1/8SQ475J
	JH 9501,9502		AEF7008	R	9525		RS1/4SA105J
				R	9530,9567,9591,9641		RS1/8SQ105J
				R	9571		RS1/16SS1301F
<b>RESISTORS</b>							
R	101-104,108-110		RAB4CQ101J				
R	117-120,1735,9016		RAB4CQ220J	R	9596		RS1/16SS1802F
R	124,132-135,189		RAB4CQ223J	R	9762,9766,9770		RAB4CQ220J
R	400,9444		RS1/16SS6800F	R	9764,9781		RAB4CQ680J
R	401		RS1/16SS4701F	R	9806		RS1/4SA0R0J
				Other Resistors			
R	408		RS1/16SS2202F				RS1/16SS###J
R	453		RS1/16SS3002F	<b>CAPACITORS</b>			
R	455,457,459		RS1/16SS4022F	C	101,104,107,116		CEVW101M16
R	456		RS1/16SS2702F	C	105,157,193,206		CCSSCH100D50
R	458		RS1/16SS1272F	C	109,148,186,187		CCSSCH8R0D50
				C	117,119,126,162		CCSSCH101J50
				C	118,1229,1549,1721		DCH1246
R	460,9437,9573		RS1/16SS2401F	C	120,124,130,133		CKSSYB103K25
R	469,9406,9469		RS1/16SS8202F	C	122,127,136,137		CKSSYB104K16
R	470,9470		RS1/16SS7501F	C	129,160,511,538		CCSSCH270J50
R	471		RS1/16SS3301F	C	132,196,1468,1771		CCSSCH120J50
R	477,478,789,1203		RS1/8SQ0R0J	C	138,146,153,155		CKSSYB103K25
R	480-483,9418,9447		RS1/8SQ105J	C	150,152,159,166		CKSSYB104K16
R	511,1159,1613,1661		RS1/16SS1003F	C	151,454,9061,9777		CCSSCH390J50
R	608,609,1725,1726		RAB4CQ100J	C	154,194,361,554		CCSSCH220J50
R	611-614,913,914		RAB4CQ101J	C	156,961,1035,1069		CCSSCH471J50
R	902-904,921		RAB4CQ0R0J	C	158,163,178,205		CKSSYB103K25
R	907,909,1201,1202		RAB4CQ473J	C	165,1204,1313,1326		CCSSCH150J50
R	910,911,1041,1049		RAB4CQ330J	C	171,208,216,322		CKSSYB104K16
R	1004,1100-1105		RS1/16SS4700F	C	176,492,624,648		CCSSCH470J50
R	1005		RS1/16SS5100F	C	180,665,666		CCSSCH7R0D50
R	1047,1048,1608,1611		RAB4CQ680J	C	192,406,498,572		CCSSCH330J50
R	1115,1451-1453		RS1/10SR0R0J	C	201,649,699,734		CCSSCH221J50
R	1160,1614,1662,9572		RS1/16SS6201F	C	207,213,217,218		CKSSYB103K25
R	1205,1207,1215,1242		RAB4CQ330J	C	212,219,363,619		CCSSCH101J50
R	1208,1243,1244,1343		RAB4CQ473J	C	221,223,342,362		CKSSYB103K25
R	1235		RAB4CQ472J	C	222,321,341		CCSSCH100D50
R	1245,1248,1249,1339		RAB4CQ330J	C	343,9101		CCSSCH820J50
R	1277,1284,1288,1289		RAB4CQ151J	C	405,407,9408,9433		CCG1222
R	1291		RAB4CQ151J	C	412,9022,9115		CCSRCH100D50
R	1342,1365,9007-9010		RAB4CQ330J	C	417,9634		ACG7114
R	1345-1348,1464		RAB4CQ473J	C	421,424,473,474		RS1/8SQ105J
R	1454-1457,1704,1705		RS1/8SQ0R0J	C	423,9425		CCSQCH330J50
R	1458-1460,1711,1712		RS1/10SR0R0J	C	451,656		CCSSCH680J50
R	1615,1616,1622,1625		RAB4CQ680J	C	453,499,601,602		CEVW101M16
R	1677,1679,1680,1687		RAB4CQ470J	C	455,495,496		CCG1332
R	1690		RAB4CQ470J	C	456,459,1207,1355		CEVW221M4
R	1710,9205-9207,9401		RS1/8SQ0R0J	C	457,623,1379,1506		CCSSCH560J50
R	1723,1724,1728,1729		RAB4CQ680J	C	460-462		CKSRYB473K50
R	1730,1731,9171,9804		RAB4CQ100J	C	463,464,483,612		CKSSYB103K25
R	1733,9011,9012,9018		RAB4CQ680J	C	465,1104-1106,1457		CCSSCH4R0C50
R	9017,9024,9031,9761		RAB4CQ220J	C	467,1095-1100,1359		CCSSCH5R0C50
R	9019,9756,9757,9763		RAB4CQ680J	C	476		CCSQCH100D50
R	9043,9050,9149,9785		RAB4CQ101J	C	477,479,9441,9538		CCSRCH222J50
R	9208,9209,9449,9805		RS1/10SR0R0J	C	481,9302,9504		CKSSYB223K16
R	9265,9266,9752-9755		RAB4CQ330J	C	482,9641		CKSSYB473K16
R	9404		RS1/16SS1002F	C	484-486,506-508		CCG1236
R	9408		RS1/16SS8201F	C	487		CCSRCH102J50
R	9431		ATL7010				
R	9443		RS1/16SS2200F				

Mark	No.	Description	Part No.
A	C	489,491,604,608	CCSSCH100D50
	C	613,647,1461	CCSSCH151J50
	C	616,618,628,633	CKSSYB103K25
	C	617,625,626,638	CKSSYB104K16
	C	621,679,904,1206	CCSSCH220J50
	C	627,639,650,659	CCSSCH101J50
	C	634,640,737,740	CCSSCH100D50
	C	636,644,653,664	CKSSYB103K25
	C	641,642,645,662	CKSSYB104K16
	C	660,669,671,682	CCSSCH101J50
	C	661,663,678,753	CCSSCH330J50
	C	667,670,680,685	CKSSYB103K25
	C	675,962,964,1032	CKSSYB104K16
B	C	690,697,705,708	CCSSCH101J50
	C	713,739,741,1479	CCSSCH8R0D50
	C	714,1025,1031,1042	CEVW101M16
	C	717,718,743,744	CCSSCH470J50
	C	735,749,751,752	CCSSCH101J50
	C	742,745,746,755	CCSSCH100D50
	C	748,750,1040,1244	CCSSCH221J50
	C	756,1076,1511,1550	CCSSCH330J50
	C	757,9007,9750	RS1/16SS105J
	C	902,910,1027,1033	CCSSCH101J50
	C	903,909,1010,1034	CKSSYB103K25
C	C	908,1647,1651,1663	CCSSCH470J50
	C	1001,1089-1091,9694	DCH1201
	C	1024,1107-1109,1720	CCSSCH180J50
	C	1028,1036,1274,1390	CCSSCH270J50
	C	1037,1046,1070,1251	CCSSCH331J50
	C	1038,1043,1045,1047	CKSSYB103K25
	C	1044	CKSSYB823K10
	C	1048,1060,1063,1065	DCH1263
	C	1049,1252	CCSSCH102J50
	C	1050-1052,1055,1057	CKSSYB104K16
D	C	1054,1056,1224,1236	CKSSYB103K25
	C	1059,1061,1067,1068	CKSSYB104K16
	C	1062,1088,1246,1286	CCSSCH100D50
	C	1064,1075,1357,1660	CEVW101M16
	C	1071,1072,1092-1094	CKSSYB104K16
	C	1074,1205,1352	DCH1263
	C	1079,1084,1215,1231	CCSSCH101J50
	C	1101-1103,1333,1478	CCSSCH7R0D50
	C	1110-1112,1213,1240	CKSSYB104K16
	C	1153,1606,1611,1626	VCG1072
E	C	1155,1621,1693,9250	CKSRYP103K50
	C	1203,1230,1349,1656	CKSQYB105K25
	C	1208,1427,1638,1764	ACH7399
	C	1210	ACG7118
	C	1220,1248,1278,1360	CCSSCH220J50
	C	1228,9403,9405	ACG7113
	C	1238,1267,1270,1276	CKSSYB103K25
	C	1254,1289,1297,1343	CKSSYB104K16
	C	1256,1268,1322,1339	CCSSCH101J50
	C	1285,1305,1319,1325	CKSSYB103K25
	C	1299,1324,1388,1488	CCSSCH221J50
	C	1311,1323,1346,1381	CCSSCH331J50
F	C	1334,1380,1426,1453	CKSSYB103K25
	C	1353,9226,9228,9230	RS1/8SQ105J
	C	1358,1601,1610,1617	CEVW221M4

Mark	No.	Description	Part No.
	C	1361,1410,1411,1485	CCSSCH100D50
	C	1384,1409,1455,1466	CKSSYB104K16
	C	1393,1648,1671,1680	CCSSCH220J50
	C	1395,1559,1561,1631	CCSSCH150J50
	C	1398,1451,1470,1623	CCSSCH331J50
	C	1425,1456,1460,1471	CCSSCH101J50
	C	1454,1458,1459,1462	CKSSYB103K25
	C	1464,1513,1734,1748	CCSSCH471J50
	C	1467,1490,1625,1642	CKSSYB104K16
	C	1474,1480,1518,1548	CCSSCH101J50
	C	1475,1477,1484,1486	CKSSYB103K25
	C	1482	CCH1814
	C	1487,1592	CCSSCH271J50
	C	1489,1536,1560,1650	CCSSCH221J50
	C	1502,1537,1557,1565	CCSSCH100D50
	C	1505,1522,1529,1535	CKSSYB103K25
	C	1509,9545,9546	CEAK102M16
	C	1551,1556,1567,1593	CKSSYB103K25
	C	1553,9027,9636,9770	CCSSCH270J50
	C	1555,1620,1664,1743	CCSSCH330J50
	C	1562,1609,1637,1716	CCSSCH4R0C50
	C	1566	CEVW470M6R3
	C	1584,1585,1645,1677	CCSSCH100D50
	C	1586,1587,1590,1653	CCSSCH101J50
	C	1595,1602,1624,1646	CKSSYB103K25
	C	1604,1644,1690,1816	CCSSCH5R0C50
	C	1614,1615,1781,1796	CCSSCH7R0D50
	C	1618,1630,1655,1784	CEVW221M4
	C	1627,1666,1688,1700	ACG7115
	C	1633,1695,1696,1714	CCG1325
	C	1649,1662,1667,1673	CKSSYB104K16
	C	1652,1665,1669,1679	CKSSYB103K25
	C	1654,9501	ACH7306
	C	1659,1694,1766,1775	CCSSCH150J50
	C	1670,1731,1835,1855	CCSSCH221J50
	C	1681,1684,1685,1689	CKSSYB103K25
	C	1683,1710,1742,1750	CKSSYB104K16
	C	1691,1699,1703,1706	CKSSYB103K25
	C	1692,1711,1768,9003	CCSSCH220J50
	C	1702,1739,1754,1777	CCSSCH100D50
	C	1704	VCG1072
	C	1705	CCSRCH272J50
	C	1708,1717,1741,1749	CCSSCH101J50
	C	1713,1718,1735-1737	CKSSYB103K25
	C	1725,1727,1728,1744	DCH1246
	C	1738,9015,9056,9085	CCSSCH470J50
	C	1751,1755,1757,1774	CKSSYB103K25
	C	1752,1767,9231,9629	CCSSCH180J50
	C	1753,1756,1770,1779	CKSSYB104K16
	C	1763,1765,1935,9458	CEVW101M16
	C	1769,1773,1783,9455	CKSQYB105K25
	C	1772,9044,9054,9099	CCSSCH330J50
	C	1776,1778,1790,1793	CKSSYB103K25
	C	1780,9606,9608,9615	CCSSCH331J50
	C	1785	CCSSCH4R0C50
	C	1788,1791,1797,1834	CKSSYB104K16
	C	1789,1803,1846,9019	CCSSCH101J50
	C	1794	CCSSCH9R0D50
	C	1795,9783	CCSSCH8R0D50
	C	1798,1801,1828,1845	CKSSYB103K25



Mark	No.	Description	Part No.	Mark	No.	Description	Part No.
		IC 1508	TC7SET08FUS3				
		IC 1511	ICS511MLF	L	1602,1604,1619-1621		VTL1129
A		IC 1602	MN864787	L	1617		VTL1126
	⚠	IC 1605,1610,1615	BD2242G-G	L	1638-1641,9215,9216		ATH7099
		IC 1606-1608	TC74VCX541FK	L	1801,1806-1808,1810		VTL1129
		IC 1609	MN864788	L	1815,9005,9009,9101		VTL1129
		IC 1804	TC74LCX08FK	L	9203-9206,9402,9406		ATL7010
		IC 9002	CS49844A	L	9211,9219,9861		VTL1129
		IC 9004	AYW7408	L	9217		CTF1703
		IC 9005	74VHC4040FT	L	9408,9411,9412,9502		ATL7010
		IC 9006,9101	TC74VHC157FK	L	9505,9510-9513,9610		ATL7010
		IC 9202	AYW7421	L	9612,9701,9702		ATL7010
		IC 9206	H337S3959	F	1603,1605-1608,1613		DTL1106
B	⚠	IC 9402,9518	S-1172B10-U5	F	1614,1622-1625		DTL1106
	⚠	IC 9403	MM3543BH	JA	1601-1603,9601-9607		AKP7286
	⚠	IC 9404,9505	MM3529A18P	JA	9202		AKN7115
	⚠	IC 9406	MM3411A50N	JA	9620		AKP7286
	⚠	IC 9407,9508	MM3529A25P	KN	602,9402,9403		VNE1948
	⚠	IC 9408	MM3542BF	KN	9201		ANG7840
	⚠	IC 9502	S-13A1A00-E6	X	101		ASS7120
	⚠	IC 9504,9511	MM3529A50P	X	602		ASS7126
	⚠	IC 9512	NJM2872BF33	X	902		ASS7111
	⚠	IC 9513	NJM2846DL3-33	X	1201		ASS7114
C	⚠	IC 9514,9515,9523	MIC94325YMT	X	1501		ASS7102
	⚠	IC 9602	SII9589CTUC-3	X	1502		ASS7101
	⚠	IC 9603	BD82065FVJ	X	1601,1602		ASS7123
	⚠	IC 9703	D808K013DPTP456	X	9001		DSS1203
		IC 9704	AYW7410	CN	601		VKN2098
		Q 601,602,701,1501	DTC124EUA	CN	602		AKN7155
		Q 603,1502-1505,1508	DTA124EUA	CN	603		AKN7152
		Q 906-908,1001,1506	2SA1576A	CN	901		AKN7073
		Q 909-911	2SC4081	CN	1502		AKP7251
		Q 912	HN1K02FU	CN	9202		AKM1276
		Q 1509	DTA124EUA	CN	9203,9204		AKM7235
D		Q 9001,9606,9608,9610	DTC114YUA	CN	9501		B7B-EH
		Q 9603,9607,9609,9611	DTC124EUA	CN	9502		AKM1274
		D 601	RB501VM-40	CN	9701,9702		BKP1047
		D 603	1SS355	JH	9501,9502		AEF7008

**RESISTORS**

		<b>MISCELLANEOUS</b>		R	101-104,108-110		RAB4CQ101J
		L 102,103,105,106	VTL1129	R	117-120,1735,9016		RAB4CQ220J
		L 321,341,361,603	VTL1129	R	124,132-135,189		RAB4CQ223J
		L 342,9007,9704	RS1/16SS0R0J	R	400,9444		RS1/16SS6800F
		L 451	ATH7105	R	401		RS1/16SS4701F
		L 452,9407	ATH7106				
E		L 453,9410	ATH7107	R	408		RS1/16SS2202F
		L 454,455,457-459	ATL7010	R	453		RS1/16SS3002F
		L 475,476,918,1210	ATL7010	R	455,457,459		RS1/16SS4022F
		L 604	RS1/16SS100J	R	456		RS1/16SS2702F
		L 606,608,609,902	VTL1129	R	458		RS1/16SS1272F
		L 907,917,919,1208	VTL1129	R	460,9437,9573		RS1/16SS2401F
		L 921	CTF1547	R	469,9406,9469		RS1/16SS8202F
		L 922-924	ATL7033	R	470,9470		RS1/16SS7501F
		L 925-927	ATL7035	R	471		RS1/16SS3301F
		L 1151-1154,1609-1612	ATH7099	R	477,478,789,1203		RS1/8SQ0R0J
		L 1155,1618,1642	CTF1528	R	480-483,9418,9447		RS1/8SQ105J
F		L 1209,1501-1503	VTL1129	R	511,1159,1613,1661		RS1/16SS1003F
		L 1211,1601,9002,9003	ATL7010	R	608,609,1725,1726		RAB4CQ100J
		L 1505-1507,1515,1521	VTL1129	R	611-614,913,914		RAB4CQ101J
		L 1510,9004,9703,9705	VTL1128	R	902-904,921		RAB4CQ0R0J

Mark	No.	Description	Part No.	Mark	No.	Description	Part No.
R	907,909,1201,1202		RAB4CQ473J	C	158,163,178,205		CKSSYB103K25
R	910,911,1041,1049		RAB4CQ330J				
R	1004,1100-1105		RS1/16SS4700F	C	165,1204,1313,1326		CCSSCH150J50
R	1005		RS1/16SS5100F	C	171,208,216,322		CKSSYB104K16
R	1047,1048,1608,1611		RAB4CQ680J	C	176,492,624,648		CCSSCH470J50
				C	180,665,666		CCSSCH7R0D50
R	1115,1451-1453		RS1/10SR0R0J	C	192,406,498,572		CCSSCH330J50
R	1160,1614,1662,9572		RS1/16SS6201F				
R	1205,1207,1215,1242		RAB4CQ330J	C	201,649,699,734		CCSSCH221J50
R	1208,1243,1244,1343		RAB4CQ473J	C	207,213,217,218		CKSSYB103K25
R	1235		RAB4CQ472J	C	212,219,363,619		CCSSCH101J50
				C	221,223,342,362		CKSSYB103K25
R	1245,1248,1249,1339		RAB4CQ330J	C	222,321,341		CCSSCH100D50
R	1277,1284,1288,1289		RAB4CQ151J				
R	1291		RAB4CQ151J	C	343,9101		CCSSCH820J50
R	1342,1365,9007-9010		RAB4CQ330J	C	405,407,9408,9433		CGG1222
R	1345-1348,1464		RAB4CQ473J	C	412,9022,9115		CCSRCH100D50
				C	417,9488,9634		ACG7114
				C	421,424,473,474		RS1/8SQ105J
R	1454-1457,1704,1705		RS1/8SQ0R0J				
R	1458-1460,1711,1712		RS1/10SR0R0J				
R	1615,1616,1622,1625		RAB4CQ680J	C	423,9425		CCSQCH330J50
R	1677,1679,1680,1687		RAB4CQ470J	C	446,614,1482,1605		CCH1814
R	1690		RAB4CQ470J	C	451,656		CCSSCH680J50
				C	453,499,601,602		CEVW101M16
				C	455,495,496		CGG1332
R	1710,9205-9207,9401		RS1/8SQ0R0J				
R	1723,1724,1728,1729		RAB4CQ680J				
R	1730,1731,9171,9804		RAB4CQ100J	C	456,459,1207,1355		CEVW221M4
R	1733,9011,9012,9018		RAB4CQ680J	C	457,623,1379,1506		CCSSCH560J50
R	9017,9024,9031,9761		RAB4CQ220J	C	460-462		CKSRYB473K50
				C	463,464,483,612		CKSSYB103K25
R	9019,9756,9757,9763		RAB4CQ680J	C	465,1104-1106,1457		CCSSCH4R0C50
R	9043,9050,9149,9785		RAB4CQ101J				
R	9208,9209,9449,9805		RS1/10SR0R0J	C	467,1095-1100,1359		CCSSCH5R0C50
R	9265,9266,9752-9755		RAB4CQ330J	C	476,1704		ACE7100
R	9404		RS1/16SS1002F	C	477,479,9441,9538		CCSRCH222J50
				C	481,9302,9504		CKSSYB223K16
R	9408		RS1/16SS8201F	C	482,9641		CKSSYB473K16
R	9431		ATL7010				
R	9443		RS1/16SS2200F	C	484-486,506-508		CGG1236
R	9466		RS1/16SS1201F	C	487		CCSRCH102J50
R	9485		RS1/8SQ225J	C	489-491,604,608		CCSSCH100D50
				C	613,647,1461		CCSSCH151J50
R	9513,9606,9609		RS1/8SQ0R0J	C	616,618,628,633		CKSSYB103K25
R	9515		RS1/8SQ475J				
R	9525		RS1/4SA105J	C	617,625,626,638		CKSSYB104K16
R	9530,9567,9591,9641		RS1/8SQ105J	C	621,679,904,1206		CCSSCH220J50
R	9571		RS1/16SS1301F	C	627,639,650,659		CCSSCH101J50
				C	634,640,737,740		CCSSCH100D50
R	9596		RS1/16SS1802F	C	636,644,653,664		CKSSYB103K25
R	9762,9766,9770		RAB4CQ220J				
R	9764,9781		RAB4CQ680J	C	641,642,645,662		CKSSYB104K16
R	9806		RS1/4SA0R0J	C	660,669,671,682		CCSSCH101J50
Other Resistors			RS1/16SS###J	C	661,663,678,753		CCSSCH330J50
				C	667,670,680,685		CKSSYB103K25
				C	675,962,964,1032		CKSSYB104K16
<b>CAPACITORS</b>							
C	101,104,107,116		CEVW101M16				
C	105,157,193,206		CCSSCH100D50	C	690,697,705,708		CCSSCH101J50
C	109,148,186,187		CCSSCH8R0D50	C	713,739,741,1479		CCSSCH8R0D50
C	117,119,126,162		CCSSCH101J50	C	714,1025,1031,1042		CEVW101M16
C	118,1229,1549,1721		DCH1246	C	717,718,743,744		CCSSCH470J50
				C	735,749,751,752		CCSSCH101J50
C	120,124,130,133		CKSSYB103K25				
C	122,127,136,137		CKSSYB104K16	C	742,745,746,755		CCSSCH100D50
C	129,160,511,538		CCSSCH270J50	C	748,750,1040,1244		CCSSCH221J50
C	132,196,1468,1771		CCSSCH120J50	C	756,1076,1511,1550		CCSSCH330J50
C	138,146,153,155		CKSSYB103K25	C	757,9007,9750		RS1/16SS105J
				C	902,910,1027,1033		CCSSCH101J50
C	150,152,159,166		CKSSYB104K16				
C	151,454,9061,9777		CCSSCH390J50	C	903,909,1010,1034		CKSSYB103K25
C	154,194,361,554		CCSSCH220J50	C	908,1647,1651,1663		CCSSCH470J50
C	156,961,1035,1069		CCSSCH471J50	C	1001,1089-1091,9694		DCH1201



Mark	No.	Description	Part No.
	C	1024,1107-1109,1720	CCSSCH180J50
	C	1028,1036,1274,1390	CCSSCH270J50
A	C	1037,1046,1070,1251	CCSSCH331J50
	C	1038,1043,1045,1047	CKSSYB103K25
	C	1044	CKSSYB823K10
	C	1048,1060,1063,1065	DCH1263
	C	1049,1252	CCSSCH102J50
	C	1050-1052,1055,1057	CKSSYB104K16
	C	1054,1056,1224,1236	CKSSYB103K25
	C	1059,1061,1067,1068	CKSSYB104K16
	C	1062,1088,1246,1286	CCSSCH100D50
	C	1064,1075,1357,1660	CEVW101M16
B	C	1071,1072,1092-1094	CKSSYB104K16
	C	1074,1205,1352	DCH1263
	C	1079,1084,1215,1231	CCSSCH101J50
	C	1101-1103,1333,1478	CCSSCH7R0D50
	C	1110-1112,1213,1240	CKSSYB104K16
	C	1153,1606,1611,1626	VCG1072
	C	1155,1621,1693,9250	CKSRYP103K50
	C	1203,1230,1349,1656	CKSQYB105K25
	C	1208,1427,1638,1764	ACH7399
	C	1210	ACG7118
C	C	1220,1248,1278,1360	CCSSCH220J50
	C	1228,9403,9405	ACG7113
	C	1238,1267,1270,1276	CKSSYB103K25
	C	1254,1289,1297,1343	CKSSYB104K16
	C	1256,1268,1322,1339	CCSSCH101J50
	C	1285,1305,1319,1325	CKSSYB103K25
	C	1299,1324,1388,1488	CCSSCH221J50
	C	1311,1323,1346,1381	CCSSCH331J50
	C	1334,1380,1426,1453	CKSSYB103K25
	C	1353,9226,9228,9230	RS1/8SQ105J
	C	1358,1601,1610,1617	CEVW221M4
	C	1361,1410,1411,1485	CCSSCH100D50
D	C	1384,1409,1455,1466	CKSSYB104K16
	C	1393,1648,1671,1680	CCSSCH220J50
	C	1395,1559,1561,1631	CCSSCH150J50
	C	1398,1451,1470,1623	CCSSCH331J50
	C	1425,1456,1460,1471	CCSSCH101J50
	C	1454,1458,1459,1462	CKSSYB103K25
	C	1464,1513,1734,1748	CCSSCH471J50
	C	1467,1490,1625,1642	CKSSYB104K16
	C	1474,1480,1518,1548	CCSSCH101J50
	C	1475,1477,1484,1486	CKSSYB103K25
	C	1487,1592	CCSSCH271J50
E	C	1489,1536,1560,1650	CCSSCH221J50
	C	1502,1537,1557,1565	CCSSCH100D50
	C	1505,1522,1529,1535	CKSSYB103K25
	C	1509,9545,9546	CEAK102M16
	C	1551,1556,1567,1593	CKSSYB103K25
	C	1553,9027,9636,9770	CCSSCH270J50
	C	1555,1620,1664,1743	CCSSCH330J50
	C	1562,1609,1637,1716	CCSSCH4R0C50
	C	1566	CEVW470M6R3
	C	1584,1585,1645,1677	CCSSCH100D50
	C	1586,1587,1590,1653	CCSSCH101J50
F	C	1595,1602,1624,1646	CKSSYB103K25
	C	1604,1644,1690,1816	CCSSCH5R0C50
	C	1614,1615,1781,1796	CCSSCH7R0D50

Mark	No.	Description	Part No.
	C	1618,1630,1655,1784	CEVW221M4
	C	1627,1666,1688,1700	ACG7115
	C	1633,1714	ACG7117
	C	1649,1662,1667,1673	CKSSYB104K16
	C	1652,1665,1669,1679	CKSSYB103K25
	C	1654,9501	ACH7306
	C	1659,1694,1766,1775	CCSSCH150J50
	C	1670,1731,1835,1855	CCSSCH221J50
	C	1681,1684,1685,1689	CKSSYB103K25
	C	1683,1710,1742,1750	CKSSYB104K16
	C	1691,1699,1703,1706	CKSSYB103K25
	C	1692,1711,1768,9003	CCSSCH220J50
	C	1695,1696,9416,9457	CCG1325
	C	1702,1739,1754,1777	CCSSCH100D50
	C	1705,9118,9213,9761	ACE7113
	C	1708,1717,1741,1749	CCSSCH101J50
	C	1713,1718,1735-1737	CKSSYB103K25
	C	1725,1727,1728,1744	DCH1246
	C	1738,9015,9056,9085	CCSSCH470J50
	C	1751,1755,1757,1772	CKSSYB103K25
	C	1752,1767,9231,9629	CCSSCH180J50
	C	1753,1756,1770,1779	CKSSYB104K16
	C	1763,1765,1935,9458	CEVW101M16
	C	1769,1773,1783,9455	CKSQYB105K25
	C	1774,1776,1778,1789	CKSSYB103K25
	C	1780,9606,9608,9615	CCSSCH331J50
	C	1785	CCSSCH4R0C50
	C	1788,1791,1797,1834	CKSSYB104K16
	C	1790,1793,1798,1801	CKSSYB103K25
	C	1794	CCSSCH9R0D50
	C	1795,9783	CCSSCH8R0D50
	C	1799,9009,9020,9034	CCSSCH100D50
	C	1803,1846,9019,9024	CCSSCH101J50
	C	1822,9218,9701,9731	CCSSCH150J50
	C	1828,1845,9011,9013	CKSSYB103K25
	C	1839	CKSRYP105K16
	C	1854,1932,9014,9023	CKSSYB104K16
	C	1934	CFHXSQ103J16
	C	9002,9233,9249,9315	CCSSCH7R0D50
	C	9004,9314,9747	ACH7399
	C	9005,9029,9232,9436	CEVW221M4
	C	9016,9021,9028,9035	CKSSYB103K25
	C	9025,9031,9042,9051	CKSSYB104K16
	C	9026,9032,9039,9046	CCSSCH101J50
	C	9030	ACG7115
	C	9037,9041,9065,9074	CCSSCH100D50
	C	9038	CFHXSQR182J16
	C	9040,9043,9048,9052	CKSSYB103K25
	C	9044,9054,9099,9485	CCSSCH330J50
	C	9049,9055,9301,9599	CCSSCH220J50
	C	9053,9057,9064,9083	CCSSCH101J50
	C	9058,9066,9088,9337	CKSSYB104K16
	C	9063,9069,9084,9089	CKSSYB103K25
	C	9075,9332,9529,9799	CKSRYP104K50
	C	9093,9094,9098,9102	CKSSYB103K25
	C	9096,9103,9126,9229	CCSSCH100D50
	C	9227,9338,9434,9454	CCSSCH101J50
	C	9234,9418,9557	RS1/8SQ105J
	C	9235,9647,9758,9784	CCSSCH470J50

Mark	No.	Description	Part No.
C	9246,9311		CEVW471M10
C	9313,9402,9410,9432		CCSSCH100D50
C	9324,9325		CKSSYB222K50
C	9333,9409,9426-9428		CKSSYB103K25
C	9404,9662,9767		CCSSCH221J50
C	9421,9632,9659,9669		CKSSYB104K16
C	9429,9444,9451,9514		CCG1236
C	9430		CCG1321
C	9431,9477,9494		CKSRYB103K50
C	9435,9479,9481,9493		CCG1222
C	9442		CKSSYB153K16
C	9445,9482,9484,9492		CCSSCH100D50
C	9450,9499,9527,9626		CEVW221M4
C	9459,9517,9519,9526		CKSQYB105K25
C	9460,9524,9582,9590		CCG1325
C	9461,9516,9533,9581		CCSSCH101J50
C	9462		CKSRYB223K50
C	9463,9502,9528,9627		CKSSYB103K25
C	9465		VCG1072
C	9466,9489,9498,9507		CEVW101M16
C	9473		CKSQYB104K50
C	9495,9503,9505,9506		CCSSCH100D50
C	9496		CCG1222
C	9509,9522,9617,9702		CCSSCH100D50
C	9512,9534		CKSSYB472K50
C	9513		CCSSCH7R0D50
C	9521,9537		CCG1236
C	9523,9726		CCSSCH120J50
C	9525,9782		CCSSCH330J50
C	9530,9559,9600,9642		CEVW101M16
C	9558		CCSRCH330J50
C	9597,9602,9621,9660		CCSSCH101J50
C	9610,9697,9700,9773		DCH1246
C	9616,9630,9744,9798		CCSSCH220J50
C	9635,9772		CEVW221M4
C	9661,9663,9665,9709		CKSSYB103K25
C	9666,9670,9678,9691		CCSSCH101J50
C	9672,9674,9680,9688		CCSSCH331J50
C	9673,9679,9692,9696		CKSSYB104K16
C	9703,9705,9706,9724		CCSSCH100D50
C	9712-9714,9716,9719		CKSSYB103K25
C	9721,9745,9757		CKSSYB104K16
C	9728,9736,9753,9756		CKSSYB103K25
C	9730		CCSSCH5R0C50
C	9732,9738-9740		CCSSCH150J50
C	9734,9735,9737,9742		CCSSCH100D50
C	9748		CEVW101M16
C	9752,9765,9791,9814		CCSSCH100D50
C	9760,9771,9774,9776		CKSSYB103K25
C	9762-9764,9766,9768		CKSSYB104K16
C	9769,9775,9781,9787		CCSSCH101J50
C	9779,9785,9788,9790		CKSSYB104K16
C	9780,9789,9793,9796		CKSSYB103K25
C	9794,9805,9812,9821		CKSSYB104K16
C	9795,9810,9819,9863		CCSSCH101J50
C	9797,9804,9811,9815		CKSSYB103K25
C	9813		ACE7113
C	9816,9820		CCSSCH100D50
C	9818,9908		CKSSYB103K25

Mark	No.	Description	Part No.
C	9822		CCSSCH470J50
C	9861		CCSSCH220J50
C	9862		CKSSYB104K16
C	9910,9912		DCH1246

## **F** INTERFACE\_S ASSY (SC-95)

### SEMICONDUCTORS

Q	7001-7003,7013,7015	DTC124EUA
Q	7005	2SA1576A
Q	7008,7010	2SA1036K
Q	7014,7016	DTA124EUA
D	7005	DAN202U
D	7007,7009	RB501VM-40

### MISCELLANEOUS

L	7001 CHIP SOLID INDUCTOR	ATL7002
L	7005-7007 CHIP SOLID INDUCTOR	QTL1013
JA	7001,7004,7005 JACK	VKB1243
JA	7003 JACK	AKN-209
KN	7001 SCREW PLATE	VNE1948
KN	7002,7004-7006 EARTH TERMINAL	AKF7002
CN	7003 B TO B CONNECTOR	AKM7225
CN	7004 B TO B CONNECTOR	AKM7222
CN	7006 CONNECTOR	9604S-19C
CN	7009 CONNECTOR	CKS3368
CN	7010 CONNECTOR	9604S-15C
CN	7011 B TO B 19PIN PLUG	AKM7105
JH	7003,7004 PCB BINDER	AEF7008

### RESISTORS

All Resistors	RS1/10SR###J
---------------	--------------

### CAPACITORS

C	7002-7005	CCSRCH100D50
C	7007	CKSRYB104K50
C	7013,7015,7016	CKSQYB103K50
C	7112	CEAK221M16
C	7113	CCSRCH331J50

## **F** INTERFACE\_S ASSY (SC-LX59)

### SEMICONDUCTORS

Q	7001-7003,7013,7015	DTC124EUA
Q	7005	2SA1576A
Q	7008,7010	2SA1036K
Q	7014,7016	DTA124EUA
D	7005	DAN202U
D	7007,7009	RB501VM-40

### MISCELLANEOUS

L	7001 CHIP SOLID INDUCTOR	ATL7002
L	7005-7007 CHIP SOLID INDUCTOR	QTL1013
JA	7001,7004,7005 JACK	VKB1243
JA	7003 JACK	AKN-209
KN	7001 SCREW PLATE	VNE1948
KN	7002,7004-7006 EARTH TERMINAL	AKF7002
CN	7003 B TO B CONNECTOR	AKM7225
CN	7004 B TO B CONNECTOR	AKM7222
CN	7006 CONNECTOR	9604S-19C
CN	7009 CONNECTOR	CKS3368
CN	7010 CONNECTOR	9604S-15C
CN	7011 B TO B 19PIN PLUG	AKM7105

Mark	No.	Description	Part No.
	JH 7003,7004	PCB BINDER	AEF7008

Mark	No.	Description	Part No.
	C 3607		CCSRCH181J50

**RESISTORS**

R 7110,7111	RS1/4SA105J
Other Resistors	RS1/10SR###J

**CAPACITORS**

C 7002-7005	CCSRCH100D50
C 7007	CKSRYP104K50
C 7013,7015,7016	CKSQYB103K50
C 7112	CEAK221M16
C 7113	CCSRCH331J50

**G COMPONENT ASSY****SEMICONDUCTORS**

IC 8301	NJW1328FH2
IC 8601	HIN202EIBNZ
Q 8603	2SC4081
Q 8604	2SA1576A
Q 8605	DTC114EUA
Q 8606	HN1K02FU
D 8601,8605	1SS355

**MISCELLANEOUS**

JA 8301	AKB7227
JA 8601	AKP7256
CN 8301	AKM7107
CN 8302	AKM7171
JP 8402	PF04PG-S10

**RESISTORS**

R 8301-8303	RS1/10SR75R0F
R 8557	RS1/8SQ0R0J
Other Resistors	RS1/10SR###J

**CAPACITORS**

C 8301,8383,8613	CEAK101M16
C 8305,8313,8326,8341	CEAK1R0M50
C 8342,8536,8538,8543	CEAK1R0M50
C 8358,8359	CCSRCH220J50
C 8360,8541,8601	CKSRYP103K50
C 8376,8377,8379,8611	CCSRCH100D50
C 8378	CCSRCH471J50
C 8381	CKSRYP105K16
C 8528-8535,8540,8542	CKSRYP104K50
C 8537,8539,8610,8618	CCSRCH331J50

C 8544-8547,8602	CKSRYP104K50
C 8548,8549	CEAK102M6R3
C 8604-8606	CKSRYP104K50
C 8612,8617	CCSRCH100D50
C 8614	CCSRCH101J50

**H COMPOSITE ASSY****MISCELLANEOUS**

JA 3601 1P PIN JACK	AKB7231
JA 3602 RCA JACK	AKB7252
CN 3601 20P SOCKET	AKP7249

**RESISTORS**

R 3607,3637,3639	RS1/10SR0R0J
Other Resistors	RS1/10SR###F

**CAPACITORS****I MIC HP ASSY****SEMICONDUCTORS**

IC 3471	NJM4565MD
Q 3451	DTC124EUA
Q 3452-3455	2SD2704K
D 3473-3475	DZ2J051M0

**MISCELLANEOUS**

JA 3471 JACK	VKB1243
JA 3476 HEADPHONE JACK	XKB3066
KN 3471,3472 EARTH TERMINAL	AKF7002
CN 3472 CONNECTOR	9604S-15C

**RESISTORS**

R 3455	RS1/8SQ330J
R 3456,3459	RS1/4SA0R0J
Other Resistors	RS1/10SR###J

**CAPACITORS**

C 3451,3452	CKSQYB822K50
C 3457,3479	CCSRCH101J50
C 3473	CCSQCH471J50
C 3475	CCSQCH101J50
C 3476,3477	CCSRCH330J50

C 3478	CEAK100M50
--------	------------

**J DISPLAY ASSY****SEMICONDUCTORS**

NSP IC 6001	R5F100MHFA
⚠ IC 6002	NJM2878F3-33
IC 6003	PD8198A
Q 6001	RU1C001UN
Q 6002-6010,6012	DTC124EUA
Q 6011	DTA124EUA
Q 6013	2SA1576A
Q 6014	2SC4081
D 6001	RB751V-40
D 6002	DAN217U
D 6006,6008,6010,6012	SLR343BC4T
D 6014	SLR343BC4T
D 6017	DZ2J056M0

**MISCELLANEOUS**

L 6001 CHIP SOLID INDUCTOR	ATL7002
KN 6001 FL HOLDER(FE)	VNF1096
V 6001 FL TUBE DISPLAY	AAV7115
S 6001-6019 SWITCH	ASG7029
CN 6001 39P CONNECTOR	VKN2098
CN 6003 5P CONNECTOR	VKN1820
JH 6002 4P CABLE HOLDER	51048-0400
JH 6003,6004 3P CABLE HOLDER	51048-0300
JP 6001 HOUSING	ADX7776
JP 6002 JUMPER WIRE	D20PY0410E

JP 6003,6004 JUMPER WIRE	D20PY0310E
--------------------------	------------

NSP U 6001 IC	GP1UE274XKC4
---------------	--------------

**RESISTORS**

R 3485	RS1/8SQ330J
R 3498,3499	RS1/8SQ100J

Mark	No.	Description	Part No.
R	6304	Other Resistors	RS1/8SQ105J RS1/10SR###J
<b>CAPACITORS</b>			
C	3460		CCG1236
C	3480		DCH1263
C	3483,3484,6051,6053		CEAK101M16
C	3485,6016,6017		CKSQYB105K25
C	3486,6013,6014,6037		CKSQYB103K50
C	3488		CKSQYB223K50
C	3490,6034,6038,6042		CCSRCH331J50
C	3491,6022,6055,6058		CCSRCH470J50
C	3496,6001,6006,6010		CKSRYB103K50
C	6004		CKSRYB474K16
C	6005,6045,6070-6073		CCSRCH471J50
C	6007		CCSRCH101J50
C	6008,6011,6026,6044		CKSRYB104K50
C	6009		CKSRYB472K50
C	6012		CKSRYB473K50
C	6018		CCSQCH331J50
C	6020,6039		CKSQYB104K50
C	6024,6025,6030,6089		CKSRYB103K50
C	6027,6048		CEAK221M16
C	6032,6035,6047,6092		CCSRCH100D50
C	6043,6068		CKSQYB103K50
C	6046		CKSQYB473K50
C	6054,6056,6057,6074		CCSRCH221J50
C	6059-6061,6064,6067		CCSRCH331J50
C	6063		CCSRCH470J50
C	6066		CEAK470M50
C	6075-6082,6084-6086		CCSRCH471J50
C	6083,6091,6098		CCSRCH331J50
C	6090,6095		CKSRYB103K50
C	6093		CCSRCK2R0C50
C	6094,6096,6301,6302		CCSRCH100D50
C	6107		CCSRCH220J50
C	6300		CCSRCH390J50
<b>K VOL ASSY</b>			
<b>MISCELLANEOUS</b>			
S	3371	ROTARY ENCODER	ASX7053
CN	3371	3P JUMPER CONNECTOR	52147-0310
<b>CAPACITORS</b>			
C	3371,3372		CKSQYB103K50
<b>L POWER SW ASSY</b>			
<b>SEMICONDUCTORS</b>			
Q	3401		DTC143EUA
D	3402		SLR343BC4T
<b>MISCELLANEOUS</b>			
S	3401	SWITCH	VSG1024
CN	3401	4P JUMPER CONNECTOR	52147-0410
<b>RESISTORS</b>			
		All Resistors	RS1/10SR###J
<b>CAPACITORS</b>			
C	3401		CCSRCH221J50

Mark	No.	Description	Part No.
C	3402		CKSRYB104K50
<b>M ENCODER ASSY</b>			
<b>MISCELLANEOUS</b>			
S	3501	ROTARY ENCODER	ASX7054
CN	3501	3P JUMPER CONNECTOR	52147-0310
<b>RESISTORS</b>			
		All Resistors	RS1/10SR###J
<b>CAPACITORS</b>			
C	3501,3502		CKSQYB103K50
<b>N IR BUFFER_S ASSY (SC-95)</b>			
<b>SEMICONDUCTORS</b>			
IC	6801,6821,6841,6861		NJM4585M
IC	6881,6901,6921,7451		NJM4585M
IC	7471		NJM4585M
IC	7491		TC4053BFT
Q	6801,6821,6841,6861		2SD2704K
Q	6881,6901,6921,7451		2SD2704K
Q	7471		2SD2704K
<b>MISCELLANEOUS</b>			
KN	6801	EARTH TERMINAL	AKF7002
CN	6801-6803	24P SOCKET	AKP7251
<b>RESISTORS</b>			
R	6801,6808,6821,6828		RS1/10SR8201F
R	6802,6807,6822,6827		RS1/10SR3302F
R	6815		RS1/8SQ224J
R	6816,6835,6836,6855		RS1/8SQ225J
R	6841,6848,6861,6868		RS1/10SR8201F
R	6842,6847,6862,6867		RS1/10SR3302F
R	6856,6875,6876,6895		RS1/8SQ225J
R	6881,6888,6901,6908		RS1/10SR8201F
R	6882,6887,6902,6907		RS1/10SR3302F
R	6896,6915,6916,6935		RS1/8SQ225J
R	6921,6928,7451,7458		RS1/10SR8201F
R	6922,6927,7452,7457		RS1/10SR3302F
R	6936,7465,7466,7485		RS1/8SQ225J
R	7471,7478		RS1/10SR8201F
R	7472,7477		RS1/10SR3302F
R	7486		RS1/8SQ225J
R	7491,7492		RS1/8SQ105J
R	8851-8855,8864,8865		RS1/8SQ0R0J
R	8869,8897		RS1/8SQ0R0J
		Other Resistors	RS1/10SR###J
<b>CAPACITORS</b>			
C	6801,6802,6821,6822		CFHXSQ103J16
C	6807,6814,6827,6834		CEAK470M25
C	6841,6842,6861,6862		CFHXSQ103J16
C	6847,6854,6867,6874		CEAK470M25
C	6881,6882,6901,6902		CFHXSQ103J16
C	6887,6894,6907,6914		CEAK470M25
C	6921,6922,7451,7452		CFHXSQ103J16
C	6927,6934,7457,7464		CEAK470M25
C	7471,7472,7494,7497		CFHXSQ103J16
C	7477,7484		CEAK470M25

**Mark No. Description Part No.**

**N IR BUFFER\_S ASSY (SC-LX59)**

**SEMICONDUCTORS**

IC 6801,6821,6841,6861 NJM4585M  
 IC 6881,6901,6921,7451 NJM4585M  
 IC 7471 NJM4585M  
 IC 7491 TC4053BFT  
 Q 6801,6821,6841,6861 2SD2704K

Q 6881,6901,6921,7451 2SD2704K  
 Q 7471 2SD2704K

**MISCELLANEOUS**

KN 6801 EARTH TERMINAL AKF7002  
 CN 6801-680324P SOCKET AKP7251

**RESISTORS**

R 6801,6808,6821,6828 RS1/10SR7501F  
 R 6802,6807,6822,6827 RS1/10SR6801F  
 R 6810,6830,6850,6870 RS1/10SR3901F  
 R 6813,6833,6853,6873 RS1/10SR1202F  
 R 6815 RS1/8SQ244J

R 6816,6835,6836,6855 RS1/8SQ225J  
 R 6841,6848,6861,6868 RS1/10SR7501F  
 R 6842,6847,6862,6867 RS1/10SR6801F  
 R 6856,6875,6876,6895 RS1/8SQ225J  
 R 6881,6888,6901,6908 RS1/10SR7501F

R 6882,6887,6902,6907 RS1/10SR6801F  
 R 6890,6910,6930,7460 RS1/10SR3901F  
 R 6893,6913,6933,7463 RS1/10SR1202F  
 R 6896,6915,6916,6935 RS1/8SQ225J  
 R 6921,6928,7451,7458 RS1/10SR7501F

R 6922,6927,7452,7457 RS1/10SR6801F  
 R 6936,7465,7466,7485 RS1/8SQ225J  
 R 7471,7478 RS1/10SR7501F  
 R 7472,7477 RS1/10SR6801F  
 R 7480 RS1/10SR3901F

R 7483 RS1/10SR1202F  
 R 7486 RS1/8SQ225J  
 R 7491,7492 RS1/8SQ105J  
 R 8851-8855,8864,8865 RS1/8SQ0R0J  
 R 8869,8897 RS1/8SQ0R0J

Other Resistors RS1/10SR###J

**CAPACITORS**

C 6801,6802,6821,6822 CFHXSQ103J16  
 C 6807,6814,6827,6834 CEAK470M25  
 C 6841,6842,6861,6862 CFHXSQ103J16  
 C 6847,6854,6867,6874 CEAK470M25  
 C 6881,6882,6901,6902 CFHXSQ103J16

C 6887,6894,6907,6914 CEAK470M25  
 C 6921,6922,7451,7452 CFHXSQ103J16  
 C 6927,6934,7457,7464 CEAK470M25  
 C 7471,7472,7494,7497 CFHXSQ103J16  
 C 7477,7484 CEAK470M25

**O BUFFER GND ASSY**

**MISCELLANEOUS**

KN 6961 SCREW PLATE VNE1948  
 KN 6962 SCREW PLATE(MTL) ANG7591

**Mark No. Description Part No.**

**P IR INTERFACE\_S ASSY**

**MISCELLANEOUS**

CN 3801,3802 24P PLUG AKM7173  
 CN 3810,3820,3830,3840 5P SOCKET KP200IB5L  
 CN 3850,3860,3870,3880 5P SOCKET KP200IB5L  
 CN 3890 5P SOCKET KP200IB5L

**Q D AMP\_SS ASSY (SC-95)**

**SEMICONDUCTORS**

IC 4001 BU7262SFVM  
 ⚠ IC 4003,4008 NJM78M05DL1A  
 IC 4004 TC74VHCT08AFK51  
 IC 4005 TA76L431FB  
 IC 4007 BU4094BCFV

⚠ IC 4009 NJM79M05DL1A  
 ⚠ IC 4101,4201,4301,4401 IRS2092SPBF  
 ⚠ IC 4102,4203,4302,4403 NJM2830U1-12  
 ⚠ IC 4501,4601,4701,4801 IRS2092SPBF  
 ⚠ IC 4502,4603,4703,4803 NJM2830U1-12

⚠ IC 4901 IRS2092SPBF  
 ⚠ IC 4902 NJM2830U1-12  
 IC 4905 TC7SET08FUS1  
 Q 4000 DTC124EUA  
 Q 4001-4003,4020,4026 2SA1576A

Q 4004,4006,4008,4010 DTA124EUA  
 Q 4005,4007,4009,4011 DTC114TUA  
 Q 4014,4016,4027-4029 HN1C01FU  
 Q 4015,4021-4023,4025 2SC4081  
 Q 4017 DTC115EUA

Q 4018,4031 DTA124EUA  
 Q 4019,4032 DTC114TUA  
 Q 4024 2SC3906K  
 Q 4030,4036,4106,4107 2SA1576A  
 Q 4033,4112,4115,4116 2SC2412K

Q 4034,4037,4038,4042 2SC4081  
 ⚠ Q 4101,4102,4201,4202 IRF6775MPBFS1  
 Q 4103-4105,4108,4117 2SC4081  
 Q 4109,4209,4309,4409 2SD2704K  
 Q 4110,4210,4310,4410 2SA1514K

Q 4111,4113,4206,4207 2SA1576A  
 Q 4114,4314,4514 HN1K02FU  
 Q 4203-4205,4208,4217 2SC4081  
 Q 4211,4213,4306,4307 2SA1576A  
 ⚠ Q 4301,4302,4401,4402 IRF6775MPBFS1

Q 4303-4305,4308,4317 2SC4081  
 Q 4311,4313,4406,4407 2SA1576A  
 Q 4312,4414,4415,4512 2SC2412K  
 Q 4403-4405,4408,4417 2SC4081  
 Q 4411,4413,4506,4507 2SA1576A

⚠ Q 4501,4502,4601,4602 IRF6775MPBFS1  
 Q 4503-4505,4508,4517 2SC4081  
 Q 4509,4609,4709,4809 2SD2704K  
 Q 4510,4610,4710,4810 2SA1514K  
 Q 4511,4513,4606,4607 2SA1576A

Q 4603-4605,4608,4617 2SC4081  
 Q 4611,4613,4706,4707 2SA1576A  
 Q 4612,4614,4712,4714 2SC2412K  
 ⚠ Q 4701,4702,4801,4802 IRF6775MPBFS1



Mark	No.	Description	Part No.	Mark	No.	Description	Part No.
	Q	4703-4705,4708,4717	2SC4081	R	4107,4187,4188,4207		ACN7180
				R	4111-4114,4211-4214		RS1/4SA2R2J
	Q	4711,4713,4806,4807	2SA1576A				
	Q	4715,4812,4814,4912	2SC2412K	R	4115,4215,4315,4415		ACN7192
	Q	4803-4805,4808,4817	2SC4081	R	4116,4178,4216,4278		ACN7198
	Q	4811,4813,4906,4907	2SA1576A	R	4117,4317,4517,4717		RS1/4SA105J
⚠	Q	4901,4902	IRF6775MPBFS1	R	4118,4218,4318,4418		RS1/8SQ105J
				R	4119,4120,4167,4219		RS1/10SR1001F
	Q	4903-4905,4908,4917	2SC4081				
	Q	4909	2SD2704K	R	4122,4123,4222,4223		ACN7196
	Q	4910	2SA1514K	R	4127,4227,4327,4427		RS1/4SA104J
	Q	4911,4913	2SA1576A	R	4129,4229,4329,4429		RS1/8SQ222J
	Q	5012,5013,5015-5022	2SC2412K	R	4130,4134,4230,4234		RS1/8SQ103J
				R	4131,4231,4331,4431		RS1/8SQ912J
	Q	5014	2SC4081				
	D	4005,4016,4022,4023	1SS355	R	4132,4232,4332,4432		RS1/8SQ113J
	D	4011,4012	DAN202U	R	4133,4177,4233,4277		ACN7197
	D	4013,4014,4018,4019	DZ2J240M0	R	4135,4235,4335,4435		RS1/8SQ752J
	D	4015,4020	DZ2J270M0	R	4136,4146,4236,4246		RS1/8SQ242J
				R	4137,4141,4237,4241		ACN7165
	D	4017,4021	DZ2J180M0				
	D	4108,4109,4208,4209	RF101L2S	R	4138,4238,4338,4438		RS1/8SQ4R7J
	D	4117,4217,4317,4417	RF071M2S	R	4140,4174,4240,4340		RS1/4SA470J
	D	4118,4218,4318,4418	CMH07	R	4142,4143,4242,4243		ACN7189
	D	4119,4219,4319,4419	1SS355	R	4145,4245,4345,4445		RS1/10SR8201F
				R	4148,4248,4348,4448		RS1/10SR3901F
	D	4308,4309,4408,4409	RF101L2S				
	D	4508,4509,4608,4609	RF101L2S	R	4149,4249,4349,4449		RS1/8SQ153J
	D	4517,4617,4717,4817	RF071M2S	R	4150,4250,4350,4450		RS1/10SR2200F
	D	4518,4618,4718,4818	CMH07	R	4152,4252,4352,4452		RS1/10SR6802F
	D	4519,4619,4719,4819	1SS355	R	4154,4254,4354,4454		ACN7186
				R	4155,4255,4355,4455		RS1/10SR1003F
	D	4708,4709,4808,4809	RF101L2S				
	D	4908,4909	RF101L2S	R	4156,4256,4356,4456		RS1/10SR2402F
	D	4917,5000	RF071M2S	R	4157,4257,4357,4457		RS1/10SR2203F
	D	4918	CMH07	R	4162,4262,4362,4462		RS1/4SA123J
	D	4919	1SS355	R	4165,4179,4265,4279		RS1/8SQ124J
				R	4166,4266,4366,4466		RS1/10SR1002F
<b>MISCELLANEOUS</b>							
	L	4100,4200,4300,4400	ATH7090	R	4168,4268,4368,4468		RS1/10SR7502F
	L	4500,4600,4700,4800	ATH7090	R	4169,4269,4369,4469		RS1/10SR3902F
	L	4900	ATH7090	R	4173,4373,4573,4773		RS1/4SA390J
	JA	4101	AKE7107	R	4175,4375,4575,4791		RS1/4SA120J
	JA	4301,4501,4901,5101	AKE7109	R	4176,4276,4376,4476		RS1/8SQ102J
	KN	4000	CKF1089	⚠ R	4181,4281,4381,4481		NTCG104KF104FB
	KN	4100,4200,4300,4400	VNE1948	R	4186,4286,4386,4486		RS1/8SQ101J
	KN	4500,4900	VNE1948	R	4193,4293,4393,4493		RS1/8SQ1R0J
	RY	4100,4300,4500,4700	XSR3015	R	4195,4196,4295,4296		RS1/8SQ2R4J
	RY	4900,5000	XSR3015	R	4197,4198,4297,4298		RS1/8SQ2R2J
	CN	4000	9604S-19C	R	4220,4267,4319,4320		RS1/10SR1001F
	CN	4001	CKS-557	R	4287,4288,4307,4387		ACN7180
	CN	4002	KM200NA2	R	4301,4363,4401,4463		RS1/10SR2701F
	CN	4003	KM200NA4	R	4311-4314,4411-4414		RS1/4SA2R2J
	CN	4004	KM200NA7	R	4316,4378,4416,4478		ACN7198
	CN	4100,4200,4300,4400	KM200IB5	R	4322,4323,4422,4423		ACN7196
	CN	4500,4600,4700,4800	KM200IB5	R	4330,4334,4430,4434		RS1/8SQ103J
	CN	4900	KM200IB5	R	4333,4377,4433,4477		ACN7197
				R	4336,4346,4436,4446		RS1/8SQ242J
				R	4337,4341,4437,4441		ACN7165
<b>RESISTORS</b>							
	R	4000,4027,4078,4079	RS1/10SR1802F				
	R	4042,4139,4239,4339	RS1/8SQ0R0J	R	4342,4343,4442,4443		ACN7189
	R	4057	RS1/8SQ471J	R	4365,4379,4465,4479		RS1/8SQ124J
	R	4060	RS1/10SR5602F	R	4367,4419,4420,4467		RS1/10SR1001F
	R	4061	RS1/10SR3302F	R	4374,4440,4540,4574		RS1/4SA470J
				R	4388,4407,4487,4488		ACN7180
	R	4090	RS1/10SR1802F				
	R	4101,4163,4201,4263	RS1/10SR2701F	R	4395,4396,4495,4496		RS1/8SQ2R4J
	R	4103,4203,4303,4403	RS1/4SA183J	R	4397,4398,4497,4498		RS1/8SQ2R2J

Mark	No.	Description	Part No.	Mark	No.	Description	Part No.
A	R	4439,4539,4639,4739	RS1/8SQ0R0J	R	4901,4963		RS1/10SR2701F
	R	4501,4563,4601,4663	RS1/10SR2701F	R	4903		RS1/4SA183J
	R	4503,4603,4703,4803	RS1/4SA183J	R	4907,4987,4988		ACN7180
	R	4507,4587,4588,4607	ACN7180	R	4911-4914,5041,5083		RS1/4SA2R2J
	R	4511-4514,4611-4614	RS1/4SA2R2J	R	4915		ACN7192
	R	4515,4615,4715,4815	ACN7192	R	4916,4978		ACN7198
	R	4516,4578,4616,4678	ACN7198	R	4917,5006-5010,5096		RS1/4SA105J
	R	4518,4618,4718,4818	RS1/8SQ105J	R	4918		RS1/8SQ105J
				R	4919,4920,4967,5000		RS1/10SR1001F
				R	4922,4923		ACN7196
B	R	4519,4520,4567,4619	RS1/10SR1001F	R	4927		RS1/4SA104J
	R	4522,4523,4622,4623	ACN7196	R	4929,5039,5040,5099		RS1/8SQ222J
	R	4527,4627,4727,4827	RS1/4SA104J	R	4930,4934,5029,5030		RS1/8SQ103J
	R	4529,4629,4729,4829	RS1/8SQ222J	R	4931		RS1/8SQ912J
	R	4530,4534,4630,4634	RS1/8SQ103J	R	4932		RS1/8SQ113J
	R	4531,4631,4731,4831	RS1/8SQ912J	R	4933,4977		ACN7197
	R	4532,4632,4732,4832	RS1/8SQ113J	R	4935		RS1/8SQ752J
	R	4533,4577,4633,4677	ACN7197	R	4936,4946		RS1/8SQ242J
	R	4535,4635,4735,4835	RS1/8SQ752J	R	4937,4941		ACN7165
	R	4536,4546,4636,4646	RS1/8SQ242J	R	4938		RS1/8SQ4R7J
C	R	4537,4541,4637,4641	ACN7165	R	4940,4974,5174		RS1/4SA470J
	R	4538,4638,4738,4838	RS1/8SQ4R7J	R	4942,4943		ACN7189
	R	4542,4543,4642,4643	ACN7189	R	4945		RS1/10SR8201F
	R	4545,4645,4745,4845	RS1/10SR8201F	R	4948		RS1/10SR3901F
	R	4548,4648,4748,4848	RS1/10SR3901F	R	4949		RS1/8SQ153J
	R	4549,4649,4749,4849	RS1/8SQ153J	R	4950		RS1/10SR2200F
	R	4550,4650,4750,4850	RS1/10SR2200F	R	4952		RS1/10SR6802F
	R	4552,4652,4752,4852	RS1/10SR6802F	R	4954		ACN7186
	R	4554,4654,4754,4854	ACN7186	R	4955		RS1/10SR1003F
	R	4555,4655,4755,4855	RS1/10SR1003F	R	4956		RS1/10SR2402F
D	R	4556,4656,4756,4856	RS1/10SR2402F	R	4957		RS1/10SR2203F
	R	4557,4657,4757,4857	RS1/10SR2203F	R	4962		RS1/4SA123J
	R	4562,4662,4762,4862	RS1/4SA123J	R	4965,4979		RS1/8SQ124J
	R	4565,4579,4665,4679	RS1/8SQ124J	R	4966,5001		RS1/10SR1002F
	R	4566,4666,4766,4866	RS1/10SR1002F	R	4968		RS1/10SR7502F
	R	4568,4668,4768,4868	RS1/10SR7502F	R	4969		RS1/10SR3902F
	R	4569,4669,4769,4869	RS1/10SR3902F	R	4973,5173		RS1/4SA390J
	R	4576,4676,4776,4876	RS1/8SQ102J	R	4975,5175		RS1/4SA120J
	R	4581,4681,4781,4881	NTCG104KF104FB	R	4976		RS1/8SQ102J
	R	4586,4686,4786,4886	RS1/8SQ101J	R	4981		NTCG104KF104FB
E	R	4593,4693,4793,4893	RS1/8SQ1R0J	R	4986		RS1/8SQ101J
	R	4595,4596,4695,4696	RS1/8SQ2R4J	R	4993		RS1/8SQ1R0J
	R	4597,4598,4697,4698	RS1/8SQ2R2J	R	4995,4996		RS1/8SQ2R4J
	R	4620,4667,4719,4720	RS1/10SR1001F	R	4997,4998		RS1/8SQ2R2J
	R	4640,4740,4774,4840	RS1/4SA470J	R	5003-5005,5026,5059		ACN7180
	R	4687,4688,4707,4787	ACN7180	R	5011,5018		RS1/8SQ563J
	R	4701,4763,4801,4863	RS1/10SR2701F	R	5012,5016,5020,5021		RS1/8SQ104J
	R	4711-4714,4811-4814	RS1/4SA2R2J	R	5013,5019,5111,5112		RS1/8SQ224J
	R	4716,4778,4816,4878	ACN7198	R	5014,5022		RS1/8SQ683J
	R	4722,4723,4822,4823	ACN7196	R	5015,5023		RS1/8SQ223J
F	R	4730,4734,4830,4834	RS1/8SQ103J	R	5017,5025,5113,5114		RS1/8SQ473J
	R	4733,4777,4833,4877	ACN7197	R	5024,5110,5115,5122		RS1/8SQ104J
	R	4736,4746,4836,4846	RS1/8SQ242J	R	5062,5063		RS1/4SA222J
	R	4737,4741,4837,4841	ACN7165	R	5066,5068		RS1/8SQ331J
	R	4742,4743,4842,4843	ACN7189	R	5095		RS1/4SA100J
	R	4765,4779,4865,4879	RS1/8SQ124J	R	5100		RS1/8SQ222J
	R	4767,4819,4820,4867	RS1/10SR1001F	R	5101,5102		RS1/4SA331J
	R	4788,4807,4887,4888	ACN7180	R	5105		RS1/8SQ100J
	R	4795,4796,4895,4896	RS1/8SQ2R4J	R	5107		RS1/4SA224J
	R	4797,4798,4897,4898	RS1/8SQ2R2J				
	R	4839,4939,6470-6478	RS1/8SQ0R0J				



Mark	No.	Description	Part No.	Mark	No.	Description	Part No.
	Q	4030,4036,4106,4107	2SA1576A	L	4500,4600,4700,4800		ATH7090
	Q	4033,4112,4115,4116	2SC2412K	L	4900		ATH7090
A	Q	4034,4037,4038,4042	2SC4081	JA	4101		AKE7108
	Q	4101,4102,4201,4202	IRF6775MPBFS1	JA	4301,4501,4901,5101		AKE7110
	Q	4103-4105,4108,4117	2SC4081	KN	4000		CKF1089
	Q	4109,4209,4309,4409	2SD2704K	KN	4100,4200,4300,4400		VNE1948
	Q	4110,4210,4310,4410	2SA1514K	KN	4500,4900		VNE1948
	Q	4111,4113,4206,4207	2SA1576A	RY	4100,4300,4500,4700		XSR3015
	Q	4114,4314,4514	HN1K02FU	RY	4900,5000		XSR3015
	Q	4203-4205,4208,4217	2SC4081	CN	4000		9604S-19C
	Q	4211,4213,4306,4307	2SA1576A	CN	4001		CKS-557
	Q	4301,4302,4401,4402	IRF6775MPBFS1	CN	4002		KM200NA2
B	Q	4303-4305,4308,4317	2SC4081	CN	4003		KM200NA4
	Q	4311,4313,4406,4407	2SA1576A	CN	4004		KM200NA7
	Q	4312,4414,4415,4512	2SC2412K	CN	4100,4200,4300,4400		KM200IB5
	Q	4403-4405,4408,4417	2SC4081	CN	4500,4600,4700,4800		KM200IB5
	Q	4411,4413,4506,4507	2SA1576A	CN	4900		KM200IB5
	Q	4501,4502,4601,4602	IRF6775MPBFS1	<b>RESISTORS</b>			
	Q	4503-4505,4508,4517	2SC4081	R	4000,4027,4078,4079		RS1/10SR1802F
	Q	4509,4609,4709,4809	2SD2704K	R	4042,6470-6478		RS1/8SQ0R0J
	Q	4510,4610,4710,4810	2SA1514K	R	4057		RS1/8SQ471J
	Q	4511,4513,4606,4607	2SA1576A	R	4060		RS1/10SR5602F
	Q	4603-4605,4608,4617	2SC4081	R	4061		RS1/10SR3302F
C	Q	4611,4613,4706,4707	2SA1576A	R	4090		RS1/10SR1802F
	Q	4612,4614,4712,4714	2SC2412K	R	4101,4163,4201,4263		RS1/10SR2701F
	Q	4701,4702,4801,4802	IRF6775MPBFS1	R	4103,4203,4303,4403		RS1/4SA183J
	Q	4703-4705,4708,4717	2SC4081	R	4107,4187,4188,4207		ACN7180
	Q	4711,4713,4806,4807	2SA1576A	R	4111,4112,4211,4212		RS1/4SA2R4J
	Q	4715,4812,4814,4912	2SC2412K	R	4113,4114,4213,4214		RS1/4SA2R2J
	Q	4803-4805,4808,4817	2SC4081	R	4115,4215,4315,4415		ACN7192
	Q	4811,4813,4906,4907	2SA1576A	R	4116,4178,4216,4278		ACN7198
	Q	4901,4902	IRF6775MPBFS1	R	4117,4317,4517,4717		RS1/4SA105J
	Q	4903-4905,4908,4917	2SC4081	R	4118,4218,4318,4418		RS1/8SQ105J
D	Q	4909	2SD2704K	R	4119,4120,4167,4219		RS1/10SR1001F
	Q	4910	2SA1514K	R	4122,4123,4222,4223		ACN7196
	Q	4911,4913	2SA1576A	R	4125,4126,4225,4226		ACN7094
	Q	5012,5013,5015-5022	2SC2412K	R	4127,4227,4327,4427		RS1/4SA104J
	Q	5014	2SC4081	R	4129,4229,4329,4429		RS1/8SQ222J
	D	4005,4016,4022,4023	1SS355	R	4130,4134,4230,4234		RS1/8SQ103J
	D	4011,4012	DAN202U	R	4131,4231,4331,4431		RS1/8SQ912J
	D	4013,4014,4018,4019	DZ2J240MO	R	4132,4232,4332,4432		RS1/8SQ113J
	D	4015,4020	DZ2J270MO	R	4133,4177,4233,4277		ACN7197
	D	4017,4021	DZ2J180MO	R	4135,4235,4335,4435		RS1/8SQ752J
	D	4108,4109,4208,4209	RF101L2S	R	4136,4236,4336,4436		RS1/8SQ242J
	D	4117,4217,4317,4417	RF071M2S	R	4137,4141,4237,4241		ACN7165
E	D	4118,4218,4318,4418	CMH07	R	4138,4238,4338,4438		RS1/8SQ4R7J
	D	4119,4219,4319,4419	1SS355	R	4139,4193,4239,4293		RS1/8SQ1R0J
	D	4308,4309,4408,4409	RF101L2S	R	4140,4173,4240,4340		RS1/4SA390J
	D	4508,4509,4608,4609	RF101L2S	R	4142,4143,4242,4243		ACN7189
	D	4517,4617,4717,4817	RF071M2S	R	4145,4245,4345,4445		RS1/10SR8201F
	D	4518,4618,4718,4818	CMH07	R	4146,4246,4346,4446		RS1/8SQ272J
	D	4519,4619,4719,4819	1SS355	R	4148,4248,4348,4448		RS1/10SR3901F
	D	4708,4709,4808,4809	RF101L2S	R	4149,4249,4349,4449		RS1/8SQ153J
	D	4908,4909	RF101L2S	R	4150,4250,4350,4450		RS1/10SR2200F
	D	4917,5000	RF071M2S	R	4152,4252,4352,4452		RS1/10SR6802F
	D	4918	CMH07	R	4154,4254,4354,4454		ACN7186
F	D	4919	1SS355	R	4155,4255,4355,4455		RS1/10SR1003F
	L	4100,4200,4300,4400	ATH7090	R	4156,4256,4356,4456		RS1/10SR2402F
	L	4100,4200,4300,4400	ATH7090	R	4157,4257,4357,4457		RS1/10SR2203F

MISCELLANEOUS

Mark	No.	Description	Part No.	Mark	No.	Description	Part No.
	R	4162,4262,4362,4462	RS1/4SA123J		R	4552,4652,4752,4852	RS1/10SR6802F
	R	4165,4179,4265,4279	RS1/8SQ124J		R	4554,4654,4754,4854	ACN7186
	R	4166,4266,4366,4466	RS1/10SR1002F		R	4555,4655,4755,4855	RS1/10SR1003F
	R	4168,4268,4368,4468	RS1/10SR7502F		R	4556,4656,4756,4856	RS1/10SR2402F
	R	4169,4269,4369,4469	RS1/10SR3902F		R	4557,4657,4757,4857	RS1/10SR2203F
	R	4174,4374,4574,4774	RS1/4SA470J		R	4562,4662,4762,4862	RS1/4SA123J
	R	4175,4375,4575,4791	RS1/4SA120J		R	4565,4579,4665,4679	RS1/8SQ124J
	R	4176,4276,4376,4476	RS1/8SQ102J		R	4566,4666,4766,4866	RS1/10SR1002F
⚠	R	4181,4281,4381,4481	NTCG104KF104FB		R	4568,4668,4768,4868	RS1/10SR7502F
	R	4186,4286,4386,4486	RS1/8SQ101J		R	4569,4669,4769,4869	RS1/10SR3902F
	R	4195,4196,4295,4296	RS1/8SQ1R8J		R	4576,4676,4776,4876	RS1/8SQ102J
	R	4197,4198,4297,4298	RS1/8SQ2R2J	⚠	R	4581,4681,4781,4881	NTCG104KF104FB
	R	4220,4267,4319,4320	RS1/10SR1001F		R	4586,4686,4786,4886	RS1/8SQ101J
	R	4287,4288,4307,4387	ACN7180		R	4595,4596,4695,4696	RS1/8SQ1R8J
	R	4301,4363,4401,4463	RS1/10SR2701F		R	4597,4598,4697,4698	RS1/8SQ2R2J
	R	4311,4312,4411,4412	RS1/4SA2R4J		R	4620,4667,4719,4720	RS1/10SR1001F
	R	4313,4314,4413,4414	RS1/4SA2R2J		R	4640,4740,4773,4840	RS1/4SA390J
	R	4316,4378,4416,4478	ACN7198		R	4687,4688,4707,4787	ACN7180
	R	4322,4323,4422,4423	ACN7196		R	4701,4763,4801,4863	RS1/10SR2701F
	R	4325,4326,4425,4426	ACN7094		R	4711,4712,4811,4812	RS1/4SA2R4J
	R	4330,4334,4430,4434	RS1/8SQ103J		R	4713,4714,4813,4814	RS1/4SA2R2J
	R	4333,4377,4433,4477	ACN7197		R	4716,4778,4816,4878	ACN7198
	R	4337,4341,4437,4441	ACN7165		R	4722,4723,4822,4823	ACN7196
	R	4339,4393,4439,4493	RS1/8SQ1R0J		R	4725,4726,4825,4826	ACN7094
	R	4342,4343,4442,4443	ACN7189		R	4730,4734,4830,4834	RS1/8SQ103J
	R	4365,4379,4465,4479	RS1/8SQ124J		R	4733,4777,4833,4877	ACN7197
	R	4367,4419,4420,4467	RS1/10SR1001F		R	4737,4741,4837,4841	ACN7165
	R	4373,4440,4540,4573	RS1/4SA390J		R	4739,4793,4839,4893	RS1/8SQ1R0J
	R	4388,4407,4487,4488	ACN7180		R	4742,4743,4842,4843	ACN7189
	R	4395,4396,4495,4496	RS1/8SQ1R8J		R	4765,4779,4865,4879	RS1/8SQ124J
	R	4397,4398,4497,4498	RS1/8SQ2R2J		R	4767,4819,4820,4867	RS1/10SR1001F
	R	4501,4563,4601,4663	RS1/10SR2701F		R	4788,4807,4887,4888	ACN7180
	R	4503,4603,4703,4803	RS1/4SA183J		R	4795,4796,4895,4896	RS1/8SQ1R8J
	R	4507,4587,4588,4607	ACN7180		R	4797,4798,4897,4898	RS1/8SQ2R2J
	R	4511,4512,4611,4612	RS1/4SA2R4J		R	4901,4963	RS1/10SR2701F
	R	4513,4514,4613,4614	RS1/4SA2R2J		R	4903	RS1/4SA183J
	R	4515,4615,4715,4815	ACN7192		R	4907,4987,4988	ACN7180
	R	4516,4578,4616,4678	ACN7198		R	4911,4912	RS1/4SA2R4J
	R	4518,4618,4718,4818	RS1/8SQ105J		R	4913,4914,5083	RS1/4SA2R2J
	R	4519,4520,4567,4619	RS1/10SR1001F		R	4915	ACN7192
	R	4522,4523,4622,4623	ACN7196		R	4916,4978	ACN7198
	R	4525,4526,4625,4626	ACN7094		R	4917,5006-5010,5096	RS1/4SA105J
	R	4527,4627,4727,4827	RS1/4SA104J		R	4918	RS1/8SQ105J
	R	4529,4629,4729,4829	RS1/8SQ222J		R	4919,4920,4967,5000	RS1/10SR1001F
	R	4530,4534,4630,4634	RS1/8SQ103J		R	4922,4923	ACN7196
	R	4531,4631,4731,4831	RS1/8SQ912J		R	4925,4926	ACN7094
	R	4532,4632,4732,4832	RS1/8SQ113J		R	4927	RS1/4SA104J
	R	4533,4577,4633,4677	ACN7197		R	4929,5039,5040,5099	RS1/8SQ222J
	R	4535,4635,4735,4835	RS1/8SQ752J		R	4930,4934,5029,5030	RS1/8SQ103J
	R	4536,4636,4736,4836	RS1/8SQ242J		R	4931	RS1/8SQ912J
	R	4537,4541,4637,4641	ACN7165		R	4932	RS1/8SQ113J
	R	4538,4638,4738,4838	RS1/8SQ4R7J		R	4933,4977	ACN7197
	R	4539,4593,4639,4693	RS1/8SQ1R0J		R	4935	RS1/8SQ752J
	R	4542,4543,4642,4643	ACN7189		R	4936	RS1/8SQ242J
	R	4545,4645,4745,4845	RS1/10SR8201F		R	4937,4941	ACN7165
	R	4546,4646,4746,4846	RS1/8SQ272J		R	4938	RS1/8SQ4R7J
	R	4548,4648,4748,4848	RS1/10SR3901F		R	4939,4993	RS1/8SQ1R0J
	R	4549,4649,4749,4849	RS1/8SQ153J		R	4940,4973,5173	RS1/4SA390J
	R	4550,4650,4750,4850	RS1/10SR2200F		R	4942,4943	ACN7189
					R	4945	RS1/10SR8201F



Mark	No.	Description	Part No.	Mark	No.	Description	Part No.
------	-----	-------------	----------	------	-----	-------------	----------

A	R	4946	RS1/8SQ272J	C	4052,4053,4166,4167	CEAK101M16
	R	4948	RS1/10SR3901F	C	4057,4058	ACH7400
	R	4949	RS1/8SQ153J	C	4063	ACH7389
	R	4950	RS1/10SR2200F	C	4065,4066,4069,4070	ACH7388
	R	4952	RS1/10SR6802F	C	4067,4068,4073,4074	ACE7101

■	R	4954	ACN7186	C	4078,4079,4159,4160	ACE7108
	R	4955	RS1/10SR1003F	C	4084	ACE7082
	R	4956	RS1/10SR2402F	C	4085	ACE7105
	R	4957	RS1/10SR2203F	C	4097	CCSRCH100D50
	R	4962	RS1/4SA123J	C	4098,4099,4105,4120	CFHXSQ102J50

B	R	4965,4979	RS1/8SQ124J	C	4100,4200,4300,4400	CFTLA104J2A
	R	4966,5001	RS1/10SR1002F	C	4101,4201,4301,4401	CFTLA474J2A
	R	4968	RS1/10SR7502F	C	4108,4109,4208,4209	ACH7320
	R	4969	RS1/10SR3902F	C	4110,4310,4510,4710	CEAK100M50
	R	4974,5174	RS1/4SA470J	C	4112,4212,4312,4412	RS1/4SA105J

■	R	4975,5175	RS1/4SA120J	C	4113,4213,4313,4413	RS1/10SR105J
	R	4976	RS1/8SQ102J	C	4119,4219,4319,4419	ACG7110
	R	4981	NTCG104KF104FB	C	4123,4205,4220,4223	CFHXSQ102J50
	R	4986	RS1/8SQ101J	C	4134,4136,4234,4236	ACH7377
	R	4995,4996	RS1/8SQ1R8J	C	4148,4248,4348,4448	ACE7100

C	R	4997,4998	RS1/8SQ2R2J	C	4149,4150,4249,4250	ACH7359
	R	5003-5005,5026,5059	ACN7180	C	4156,4256,4356,4456	ACE7097
	R	5011,5018	RS1/8SQ563J	C	4161,4175,4261,4275	ACE7111
	R	5012,5016,5020,5021	RS1/8SQ104J	C	4180,4182,4280,4282	ACE7096
	R	5013,5019,5111,5112	RS1/8SQ224J	C	4211,4311,4411,4511	CFHXSQ103J16

■	R	5014,5022	RS1/8SQ683J	C	4259,4260,4359,4360	ACE7108
	R	5015,5023	RS1/8SQ223J	C	4266,4267,4366,4367	CEAK101M16
	R	5017,5025,5113,5114	RS1/8SQ473J	C	4305,4320,4323,4405	CFHXSQ102J50
	R	5024,5110,5115,5122	RS1/8SQ104J	C	4308,4309,4408,4409	ACH7320
	R	5041	RS1/4SA1R5J	C	4334,4336,4434,4436	ACH7377

D	R	5062,5063	RS1/4SA222J	C	4349,4350,4449,4450	ACH7359
	R	5066,5068	RS1/8SQ331J	C	4361,4375,4461,4475	ACE7111
	R	5095	RS1/4SA100J	C	4380,4382,4480,4482	ACE7096
	R	5100	RS1/8SQ222J	C	4420,4423,4505,4520	CFHXSQ102J50
	R	5101,5102	RS1/4SA331J	C	4459,4460,4559,4560	ACE7108

■	R	5105	RS1/8SQ100J	C	4466,4467,4566,4567	CEAK101M16
	R	5107	RS1/4SA224J	C	4500,4600,4700,4800	CFTLA104J2A
	R	5116,5117,5123,5124	RS1/8SQ224J	C	4501,4601,4701,4801	CFTLA474J2A
	R	5118,5119,5126,5127	RS1/8SQ473J	C	4508,4509,4608,4609	ACH7320
	R	5128,5133,5142,5151	RS1/8SQ104J	C	4512,4612,4712,4812	RS1/4SA105J

E	R	5130,5131,5135,5136	RS1/8SQ224J	C	4513,4613,4713,4813	RS1/10SR105J
	R	5132,5137,5138	RS1/8SQ473J	C	4519,4619,4719,4819	ACG7110
	R	5143,5144,5152,5153	RS1/8SQ224J	C	4523,4605,4620,4623	CFHXSQ102J50
	R	5157,5187	RS1/8SQ104J	C	4534,4536,4634,4636	ACH7377
	R	5158,5160,5188,5189	RS1/8SQ224J	C	4548,4648,4748,4848	ACE7100

■	R	5159	ACN7180	C	4549,4550,4649,4650	ACH7359
	R	5186	RS1/4SA105J	C	4556,4656,4756,4856	ACE7097
	Other Resistors		RS1/10SR###J	C	4561,4575,4661,4675	ACE7111
				C	4580,4680,4780,4782	ACE7096
				C	4611,4711,4811,4911	CFHXSQ103J16

**CAPACITORS**

■	C	4001,4006,4026,4111	CFHXSQ103J16			
	C	4008,4010,4024,4036	CEAK101M16	C	4659,4660,4759,4760	ACE7108
	C	4009	CCSRCH150J50	C	4666,4667,4766,4767	CEAK101M16
	C	4013	CCSRCH180J50	C	4705,4720,4723,4805	CFHXSQ102J50
	C	4016	CCSRCH120J50	C	4708,4709,4808,4809	ACH7320

F	C	4017	CCSRCH470J50	C	4734,4736,4834,4836	ACH7377
	C	4022	CFHXSQ102J16	C	4749,4750,4849,4850	ACH7359
	C	4023,5185	CEHVW100M16	C	4761,4775,4861,4875	ACE7111
	C	4040	CCH1814	C	4820,4823,4905,4920	CFHXSQ102J50
	C	4044,4048	ACE7107	C	4859,4860,4959,4960	ACE7108

Mark	No.	Description	Part No.
C	4866,4867,4966,4967		CEAK101M16
C	4880,4882,4980,4982		ACE7096
C	4900		CFTLA104J2A
C	4901		CFTLA474J2A
C	4908,4909		ACH7320
C	4910,5110		CEAK100M50
C	4912		RS1/4SA105J
C	4913		RS1/10SR105J
C	4919		ACG7110
C	4923,5000		CFHXSQ102J50
C	4934,4936		ACH7377
C	4948		ACE7100
C	4949,4950		ACH7359
C	4956		ACE7097
C	4961,4975		ACE7111
C	5080,5082,5180,5182		ACE7096
C	5184		ACH7388
C	5186		CFHXSQ103J16

## **R** PRIMARY ASSY

### SEMICONDUCTORS

⚠	IC 1	STR2A153
⚠	IC 52	NJM1431AF
	Q 71	2SD2704K
⚠	D 1	D2SB60A
⚠	D 2,5	SARS01LF-F7
⚠	D 3	SJPL-D2
	D 4	KDZ36B
⚠	D 50	FMEN-220A
	D 71,72	1SS355

### MISCELLANEOUS

⚠	L 1	LINE FILTER	ATF7046
	L 51	COIL	ATH7080
⚠	L 71	LINE FILTER	XTF3004
	H 1,2,71,72	FUSE CLIP	AKR1004
⚠	JA 71	AC INLET ASSY	ADX7513
	KN 1,2	SCREW PLATE	VNE1948
	KN 50,52	EARTH TERMINAL	AKF7002
⚠	RY 71	POWER RELAY	ASR7034
⚠	T 1	POWER TRANSFORMER	ATK7006
⚠	CN 81	CONNECTOR	B2P3-VH
	1	HEAT SINK(AL)	ANH7224
	2	SCREW	BBZ30P080FCC
	JP 51	HOUSING	ADX7812
⚠	PC 1	PHOTO COUPLER	TLP781

### RESISTORS

	R 1	RS1LMF680J
	R 2	ACN7200
	R 3	RS1LMFR68J
	R 5	RS1/8SQ120J
	R 6	RS1/8SQ102J
⚠	R 9-11	ACN7173
	R 53	RS1/10SR3001F
	R 54	RS1/10SR7501F
	R 56	RS1/10SR8201F
	R 57	ACN7180
	R 74,75	RS1/8SQ105J
	Other Resistors	RS1/10SR###J

Mark	No.	Description	Part No.
<b><u>CAPACITORS</u></b>			
⚠	C 1	ACE7071	
	C 3	ACH7342	
	C 4	ACE7095	
	C 5	ACH7385	
	C 6	ACG7112	
⚠	C 12,21	VCG1046	
	C 52	BCH1044	
	C 53	CKSRYB104K50	
	C 56	CKSQYB104K50	
	C 58	ACH7369	
	C 61	CCSRCH100D50	
	C 62	DCH1330	
	C 66	CCSQCH330J50	
⚠	C 73	XCG3010	
	C 74,75	CCSRCH220J50	

## **S** A-REG\_S ASSY

### SEMICONDUCTORS

⚠	IC 7501	NJM78M12FA
⚠	IC 7502	NJM79M12FA
⚠	IC 7521	NJM78M06FA
⚠	D 7501-7504	1SR154-400

### MISCELLANEOUS

H 7501-7504	FUSE CLIP	AKR1004
CN 7501	5P TOP POST	B5B-EH
CN 7502	L-PLUG(5P)	KM200NA5L
JH 7501,7502	PCB BINDER	AEF7008

### RESISTORS

R 7515	RS3LMF180J
R 7516	RS3LMF220J
Other Resistors	RS1/8SQ###J

### CAPACITORS

C 7503	CEAK332M25
C 7504	CFTLA394J50
C 7511	CEAK222M25
C 7515,7516	CEAK221M35
C 7523	CEAK101M35

## **T** IR REG\_S ASSY

### SEMICONDUCTORS

⚠	IC 7241	NJM78M15FA
⚠	IC 7251	NJM78M12FA
⚠	IC 7252	NJM79M12FA
⚠	IC 7271	NJM78M08FA
⚠	IC 7272	NJM79M08FA
	D 7200,7219	1SS355
	D 7213,7214	DZ2J075M0
	D 7215,7216	1SR154-400
⚠	D 7241-7244,7251-7254	1SR154-400
⚠	D 7271-7274	1SR154-400
⚠	D 7400,7401	LN6SB60-4003

### MISCELLANEOUS

H 7201-7204,7241,7242	FUSE CLIP	AKR1004
H 7251-7254	FUSE CLIP	AKR1004
CN 7201	8P TOP POST	B8B-EH
CN 7241	PLUG(2P)	KM200NA2

Mark	No.	Description	Part No.
	CN 7251	PLUG(7P)	KM200NA7
A	CN 7271	PLUG(4P)	KM200NA4
	CN 7281	CONNECTOR	CKS3368
	CN 7400	PLUG	CKS-556
	CN 7401	PLUG	CKS-557

Mark	No.	Description	Part No.
	△ IC 7902		MM3411A50N
	IC 7903		S-80848CNMC-B89
	Q 7901		2SA1037K
	D 7901		DAN202U
	D 7902		1SS355

**RESISTORS**

R 7211,7213	RD1/4MUF102J
R 7245,7259,7273,7274	RS1/4SA105J
R 7255	RS1/8SQ1R5J
R 7256	RS1/8SQ1R2J
R 7258	RS1/4SA824J

**MISCELLANEOUS**

KN 7901 EARTH TERMINAL	AKF7002
CN 7662 B TO B 19PIN JACK	AKN7071
CN 7663 CONNECTOR	9604S-15C
CN 7902,7903 39P CONNECTOR	VKN2097
JH 7901,7903,7904 PCB BINDER	AEF7008

**RESISTORS**

R 7903,7907	RS1/8SQ105J
Other Resistors	RS1/10SR###J

**CAPACITORS**

C 7905	CCSQCH331J50
C 7906	CKSQYB103K50
C 7918	CCSRCH100D50

**V VREG CHILD\_S ASSY**

**SEMICONDUCTORS**

△ IC 8701	NJM78M05FA
-----------	------------

**MISCELLANEOUS**

JP 8701 HOUSING	ADX7783
-----------------	---------

**CAPACITORS**

C 8701	CKSQYB103K50
C 8703	CEAK101M16

**W CONNECT\_S ASSY**

**MISCELLANEOUS**

CN 7951 B TO B CONNECTOR	AKM7225
CN 7952 B TO B CONNECTOR	AKM7222
CN 7953 B TO B CONNECTOR	AKN7155
CN 7954 B TO B CONNECTOR	AKN7152

**RESISTORS**

R 7956	RS1/8SQ105J
Other Resistors	RS1/10SR###J

**CAPACITORS**

C 7951,7956	CCSRCH100D50
-------------	--------------

**X A-DAC BRIDGE ASSY**

**MISCELLANEOUS**

CN 3791,3792 20P PLUG	AKM7171
CN 3793,3794 B TO B CONNECTOR	AKM7176

**Y D-AUDIO BRIDGE ASSY**

**MISCELLANEOUS**

CN 3771,3772 24P PLUG	AKM7173
-----------------------	---------

**Z D-DAC BRIDGE ASSY**

**MISCELLANEOUS**

CN 3781,3782 20P PLUG	AKM7171
-----------------------	---------

A

B

C

D

E

F

**U V-REG\_S ASSY (SC-95)**

**SEMICONDUCTORS**

IC 7901	S-80842CNMC-B83
△ IC 7902	MM3411A50N
IC 7903	S-80848CNMC-B89
Q 7901	2SA1037K
D 7901	DAN202U
D 7902	1SS355

**MISCELLANEOUS**

KN 7901 EARTH TERMINAL	AKF7002
CN 7662 B TO B 19PIN JACK	AKN7071
CN 7663 CONNECTOR	9604S-15C
CN 7902,7903 39P CONNECTOR	VKN2097
JH 7901,7903,7904 PCB BINDER	AEF7008

**RESISTORS**

R 7903,7907	RS1/8SQ105J
Other Resistors	RS1/10SR###J

**CAPACITORS**

C 7905	CCSQCH331J50
--------	--------------

**U V-REG\_S ASSY (SC-LX59)**

**SEMICONDUCTORS**

IC 7901	S-80842CNMC-B83
---------	-----------------

Mark	No.	Description	Part No.
		CN 3783,3784 B TO B CONNECTOR	AKM7176

## AA PRE BRIDGE\_S ASSY

A

### MISCELLANEOUS

CN 6951,6952 24P PLUG AKM7173

## AB FAN CONNECT\_S ASSY

### MISCELLANEOUS

CN 5931,5932 PLUG(3P) KM200NA3  
JH 5931 PCB BINDER AEF7008

## AC MIC HP GUARD ASSY

B

### MISCELLANEOUS

JH 5921,5924 PCB BINDER AEF7008

## AD BIND DM CABLE\_S ASSY

### MISCELLANEOUS

JH 3551 PCB BINDER AEF7008

## AE P WIRE GUARD\_S ASSY

C

### MISCELLANEOUS

JH 3560 PCB BINDER AEF7008

## AF FFC GUARD\_S ASSY

FFC GUARD\_S ASSY has no service parts.

## AG VREG GUARD ASSY

VREG GUARD ASSY has no service parts.

## AH BINDFAN CABLE\_S ASSY

D

BINDFAN CABLE\_S ASSY has no service parts.

## AI TRANS VREG STYL\_S ASSY

TRANS VREG STYL\_S ASSY has no service parts.

## AJ PANEL GUARD ASSY

PANEL GUARD ASSY has no service parts.

## AK IR EDGE GUARD\_S ASSY

E

IR EDGE GUARD\_S ASSY has no service parts.

\* iPhone and iPod are trademarks of Apple Inc., registered in the U.S. and other countries.

F