

Service Manual

ORDER NO.
RRV4455

AV RECEIVER

SC-LX87-K

SC-LX87-S

SC-LX77-K

SC-LX77-S

THIS MANUAL IS APPLICABLE TO THE FOLLOWING MODEL(S) AND TYPE(S).

Model	Type	Power Requirement	Remarks
SC-LX87-K	SYXJ8	AC 220 V to 230 V	
SC-LX87-S	SYXJ8	AC 220 V to 230 V	
SC-LX77-K	SYXJ8	AC 220 V to 230 V	
SC-LX77-S	SYXJ8	AC 220 V to 230 V	

This service manual should be used together with the following manual(s).

Model No.	Order No.	Remarks
SC-79/CUXJ	RRV4451	
SC-79, SC-77	RRV4463	SCHEMATIC DIAGRAM, PCB CONNECTION DIAGRAM, PCB PARTS LIST

For SPECIFICATIONS and PANEL FACILITIES, refer to the operating instructions.

PIONEER CORPORATION 1-1, Shin-ogura, Saiwai-ku, Kawasaki-shi, Kanagawa 212-0031, Japan

PIONEER ELECTRONICS (USA) INC. P.O. Box 1760, Long Beach, CA 90801-1760, U.S.A.

PIONEER EUROPE NV Haven 1087, Keetberglaan 1, 9120 Melsele, Belgium

PIONEER ELECTRONICS ASIACENTRE PTE. LTD. 253 Alexandra Road, #04-01, Singapore 159936

©PIONEER CORPORATION 2013

1. CONTRAST OF MISCELLANEOUS PARTS

NOTES: ● Parts marked by "NSP" are generally unavailable because they are not in our Master Spare Parts List.

- The Δ mark found on some component parts indicates the importance of the safety factor of the part. Therefore, when replacing, be sure to use parts of identical designation.
- Screws adjacent to ∇ mark on product are used for disassembly.
- For the applying amount of lubricants or glue, follow the instructions in this manual. (In the case of no amount instructions, apply as you think it appropriate.)
- Nos. indicate the pages and Nos. in the service manual for the base model.

● When ordering resistors, first convert resistance values into code form as shown in the following examples.
 Ex.1 When there are 2 effective digits (any digit apart from 0), such as 560 ohm and 47k ohm (tolerance is shown by J=5%, and K=10%).

560 Ω	\rightarrow	56 x 10 ¹	\rightarrow	561	RD1/4PU	5	6	1	J
47k Ω	\rightarrow	47 x 10 ³	\rightarrow	473	RD1/4PU	4	7	3	J
0.5 Ω	\rightarrow	R50			RN2HR	5	0		K
1 Ω	\rightarrow	1R0			RS1P	1	R	0	K

Ex.2 When there are 3 effective digits (such as in high precision metal film resistors).

5.62k Ω	\rightarrow	562 x 10 ¹	\rightarrow	5621	RN1/4PC	5	6	2	1	F
----------------	---------------	-----------------------	---------------	------	-------	---------	---	---	---	---	---

CONTRAST TABLE

SC-79/CUXJ, SC-LX87-K/SYXJ8, SC-LX87-S/SYXJ8, SC-LX77-K/SYXJ8 and SC-LX77-S/SYXJ8 are constructed the same except for the following:

Mark	No.	Symbol and Description	SC-79 /CUXJ	SC-LX87-K /SYXJ8	SC-LX87-S /SYXJ8	SC-LX77-K /SYXJ8	SC-LX77-S /SYXJ8	Remarks
PCB ASSEMBLIES								
NSP	P81-1 P81-4 P85-6 P85-10 P85-11	1..REG BRIDGE ASSY	AWR7212	AWR7182	AWR7182	AWR7215	AWR7215	No. 44 No. 45
		2..USB RECT ASSY	AWX1418	AWX1686	AWX1686	AWX1418	AWX1418	
		2..DISPLAY BRIDGE ASSY	AWX1592	AWX1412	AWX1412	AWX1412	AWX1412	
		2..REG ASSY	AWX1590	AWX1688	AWX1688	AWX1410	AWX1410	
		2..BIND DM CABLE ASSY	AWX1419	AWX1620	AWX1620	AWX1620	AWX1620	
		2..HDBT BIND2 ASSY	AWX1487	Not used	Not used	Not used	Not used	
NSP	P81-2 P81-3 P83-9 P85-1 P85-9	2..MULTI CH IN ASSY	Not used	AWX1414	AWX1414	Not used	Not used	No. 44 No. 45
		2..MCH BRIDGE ASSY	Not used	AWX1415	AWX1415	Not used	Not used	
		1..INTERFACE REG_M ASSY	AWR7200	AWR7201	AWR7201	AWR7203	AWR7203	
		2..IR REG ASSY	AWX1557	AWX1558	AWX1558	AWX1569	AWX1569	
		2..B DIODE ASSY	AWX1560	AWX1561	AWX1561	AWX1561	AWX1561	
		2..PRIMARY SHIELD ASSY	Not used	Not used	Not used	AWX1571	AWX1571	
NSP	P83-1 P83-7 P83-2 P83-3 P83-4 P83-5 P83-6	2..INTERFACE ASSY	AWX1554	AWX1555	AWX1555	AWX1555	AWX1555	No. 44 No. 45
		2..A REG BRIDGE ASSY	AWX1565	AWX1566	AWX1566	AWX1566	AWX1566	
		1..AUDIO COMPOSITE ASSY	AWR7191	AWR7177	AWR7177	AWR7197	AWR7197	
		2..AUDIO ASSY	AWX1486	AWX1446	AWX1446	AWX1534	AWX1534	
		2..COMPOSITE ASSY	AWX1459	AWX1459	AWX1459	AWX1483	AWX1483	
		1..DAC HIGH ASSY	AWX1479	AWX1355	AWX1355	AWX1519	AWX1519	
NSP	P85-2 P85-5 P85-8 P87-1 P87-2 P87-3 P83-8	1..USB DAC ASSY	AWX1456	AWX1481	AWX1481	Not used	Not used	No. 44 No. 45
		1..HDBT ASSY	AWX1423	Not used	Not used	Not used	Not used	
		1..DIGITAL MAIN ASSY	AWX1331	AWX1420	AWX1420	AWX1657	AWX1657	
		1..COMPONENT ASSY	AWX1626	AWX1627	AWX1627	AWX1630	AWX1630	
		1..IR BUFFER_M ASSY	AWM8345	AWM8346	AWM8346	AWM8355	AWM8355	
		2..IR BUFFER ASSY	AWX1538	AWX1539	AWX1539	AWX1687	AWX1687	
NSP	P85-5 P87-1 P87-2	1..D AMP ASSY	AWH7078	AWH7079	AWH7079	AWH7083	AWH7083	No. 44 No. 45
		2..D AMP ASSY	AWX1437	AWX1438	AWX1438	AWX1442	AWX1442	
		1..FRONT HDMI USB ASSY	AWX1551	AWX1683	AWX1683	AWX1390	AWX1390	
NSP	P87-2 P87-3 P83-8	1..PRIM DISPLAY ASSY	AWM8316	AWM8317	AWM8317	AWM8317	AWM8317	No. 44 No. 45
		2..MIC HP ASSY	AWX1395	AWX1511	AWX1511	AWX1511	AWX1511	
		2..DISPLAY ASSY	AWX1391	AWX1619	AWX1619	AWX1619	AWX1619	
		2..PRIMARY ASSY	AWX1394	AWX1447	AWX1447	AWX1447	AWX1447	

Mark	No.	Symbol and Description	SC-79 /CUXJ	SC-LX87-K /SYXJ8	SC-LX87-S /SYXJ8	SC-LX77-K /SYXJ8	SC-LX77-S /SYXJ8	Remarks
		PACKING SECTION						
⚠	P79-2	Power Cord	ADG7118	ADG7119	ADG7119	ADG7119	ADG7119	A
	P79-5	Setup Microphone	APM7009	APM7009	APM7009	APM7011	APM7011	
	P79-6	Quick Start Guide	ARH7162	ARH7163	ARH7163	ARH7163	ARH7163	
NSP	P79-7	Safety Brochure	ARM7155	ARM7156	ARM7156	ARM7156	ARM7156	
	P79-9	CD-ROM (AVNavigator)	ARU7042	ARU7043	ARU7043	ARU7043	ARU7043	
NSP		Operating Instructions (En)	ARB7499	ARB7500	ARB7500	ARB7500	ARB7500	
NSP		Operating Instructions (Frca)	ARC8143	Not used	Not used	Not used	Not used	
NSP		Operating Instructions (Fr)	Not used	ARC8144	ARC8144	ARC8144	ARC8144	
NSP		Operating Instructions (De)	Not used	ARC8145	ARC8145	ARC8145	ARC8145	
NSP		Operating Instructions (It)	Not used	ARC8146	ARC8146	ARC8146	ARC8146	
NSP		Operating Instructions (Es)	Not used	ARC8147	ARC8147	ARC8147	ARC8147	
NSP		Operating Instructions (Ni)	Not used	ARC8148	ARC8148	ARC8148	ARC8148	
NSP		Operating Instructions (Ru)	Not used	ARC8149	ARC8149	ARC8149	ARC8149	
NSP	P79-10	Warranty Sheet	ARY7007	ARY7158	ARY7158	ARY7158	ARY7158	
	P79-17	Packing Case	AHD8793	AHD8794	AHD8795	AHD8801	AHD8802	
		Wifi Manual Assy	Not used	AXX7286	AXX7286	AXX7286	AXX7286	
		Wifi Cable (service)	Not used	ADE7138	ADE7138	ADE7138	ADE7138	
NSP		Wifi Converter E	Not used	•••••	•••••	•••••	•••••	
		EXTERIOR SECTION						
⚠	P81-9	Power Transformer	ATS7447	ATS7448	ATS7448	ATS7439	ATS7439	C
⚠	P81-10	Fuse (FU13, FU14 : 1A)	REK1142	Not used	Not used	Not used	Not used	
⚠	P81-10	Fuse (FU13, FU14 : T800mA)	Not used	AEK7072	AEK7072	AEK7072	AEK7072	
⚠	P81-11	Fuse (FU11, FU12, FU15:1.25A)	REK1143	Not used	Not used	Not used	Not used	
⚠	P81-11	Fuse (FU11, FU12, FU15 : T1A)	Not used	AEK7073	AEK7073	AEK7073	AEK7073	
⚠	P81-12	Fuse (FU10 : 6A)	REK1151	Not used	Not used	Not used	Not used	
⚠	P81-12	Fuse (FU10 : T5A)	Not used	AEK1061	AEK1061	AEK1061	AEK1061	
	P81-15	Bonnet	AZN8053	AZN8053	AZN8055	AZN8053	AZN8055	
	P81-19	Insulator	AMR7198	DXA1904	DXA1904	DXA1904	DXA1904	
	P81-20	Push Rivet	AEC7071	AEC7071	AEC7071	AEC7071	AEC7071	
	P81-31	Screw	BBZ30P080FTB	BBZ30P080FTB	BBZ30P080FNI	BBZ30P080FTB	BBZ30P080FNI	
	P81-32	Screw	BCZ40P060FTB	BCZ40P060FTB	BCZ40P060FNI	BCZ40P060FTB	BCZ40P060FNI	
		REAR SECTION						
	P83-16	AM/FM Tuner Unit	AXX7282	AXX7283	AXX7283	AXX7283	AXX7283	D
⚠	P83-17	Fuse (FU4 : 2A)	REK1139	Not used	Not used	Not used	Not used	
⚠	P83-17	Fuse (FU4 : 4A)	Not used	REK1104	REK1104	REK1104	REK1104	
⚠	P83-18	Fuse (FU1 : 10A)	REK1154	Not used	Not used	Not used	Not used	
⚠	P83-18	Fuse (FU1 : T5A)	Not used	AEK1061	AEK1061	AEK1061	AEK1061	
	P83-21	19P Housing (Y0030)	ADX7802	Not used	Not used	Not used	Not used	
	P83-22	Rear Panel	ANC8661	ANC8662	ANC8663	ANC8669	ANC8670	No. 41 No. 42 No. 43
		D MAIN Shield 85	Not used	ANK7162	ANK7162	Not used	Not used	
		Nylon Rivet	Not used	AEC7406	AEC7406	Not used	Not used	
		Locking Spacer	Not used	AEC7643	AEC7643	Not used	Not used	
		CHASSIS SECTION						
⚠	P85-14	Fuse (FU21, FU22, FU31, FU32 : 1.25A)	REK1143	Not used	Not used	Not used	Not used	E
⚠	P85-14	Fuse (FU21, FU22 : T800mA)	Not used	AEK7072	AEK7072	AEK7072	AEK7072	
⚠	P85-14	Fuse (FU31, FU32 : T1A)	Not used	AEK7073	AEK7073	AEK7073	AEK7073	
		FRONT SECTION						
	P87-16	Cushion Circle	AED7083	AED7083	AED7080	AED7083	AED7080	F
	P87-19	Door Base	AMR7565	AMR7565	AMR7636	AMR7565	AMR7636	
	P87-20	Door Panel	ANB7562	ANB7563	ANB7589	ANB7563	ANB7589	
	P87-22	VOL. Knob	AAA7064	AAA7064	AAA7071	AAA7064	AAA7071	
	P87-23	STDBY BTN ASSY	AAD7804	AAD7804	AAD7807	AAD7804	AAD7807	
	P87-24	Filter	AAK8443	AAK8459	AAK8459	AAK8459	AAK8459	
	P87-25	Display Panel	AAK8567	AAK8568	AAK8568	AAK8568	AAK8568	
	P87-26	Power Ring	AAK8571	AAK8571	AAK8574	AAK8571	AAK8574	
	P87-29	Panel Base	AMB8041	AMB8042	AMB8049	AMB8042	AMB8049	

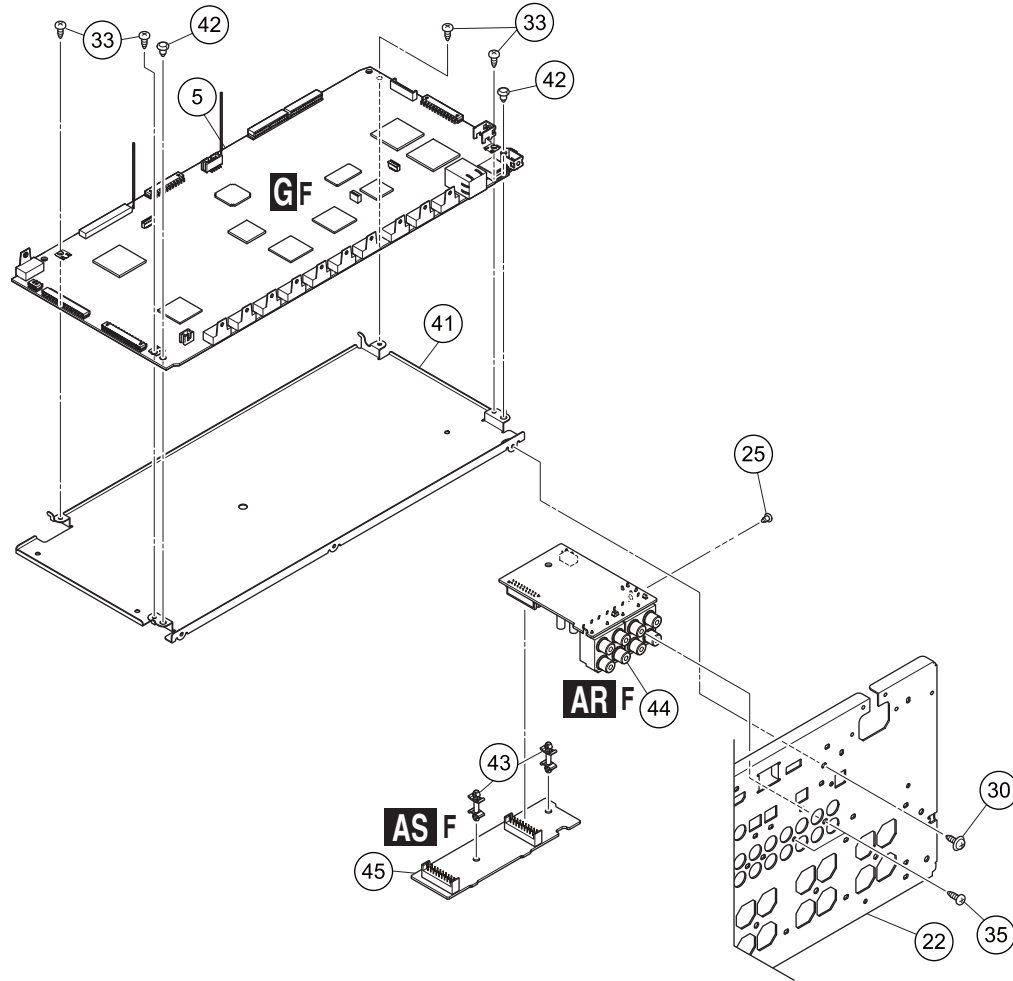
Mark	No.	Symbol and Description	SC-79 /CUXJ	SC-LX87-K /SYXJ8	SC-LX87-S /SYXJ8	SC-LX77-K /SYXJ8	SC-LX77-S /SYXJ8	Remarks
A	P87-30	Panel	ANB7593	ANB7594	ANB7595	ANB7598	ANB7599	
	P87-31	Pioneer Badge	VAM1159	VAM1158	VAM1158	VAM1158	VAM1158	
	P87-32	Screw	BBZ30P080FTB	BBZ30P080FTB	BBZ30P080FNI	BBZ30P080FTB	BBZ30P080FNI	

Notes : When a Wifi converter is defective, please replace with a product stock of AS-WL300.

The numbers in the remarks column correspond to the numbers on the "EXPLODED VIEWS".

For PCB ASSEMBLIES, Refer to "CONTRAST OF PCB ASSEMBLIES".

EXPLODED VIEWS REAR SECTION



CONTRAST OF PCB ASSEMBLIES

AF AUDIO ASSY

AWX1486, AWX1446 and AWX1534 are constructed the same except for the following:

Mark	Symbol and Description	AWX1486	AWX1446	AWX1534	Remarks
F	IC2661, IC2702, IC2751, IC6701	NJM4565MD	UPC4570G2-A	UPC4570G2-A	
	IC6702	NJM4565MD	UPC4570G2-A	UPC4570G2-A	
	CN2510 18P SOCKET	Not used	AKP7123	Not used	
	JA2503 2P PIN JACK	AKB7234	AKB7234	AKB7233	
	JA3201 RCA JACK	AKB7241	AKB7241	AKB7245	
	JA2501, JA2504, JA3101 RCA JACK	AKB7242	AKB7242	AKB7246	
	JA2502, JA2505, JA3202, JA3206	AKB7243	AKB7243	AKB7247	
	JA6701 RCA JACK	AKB7244	AKB7244	AKB7249	

Mark	Symbol and Description	AWX1486	AWX1446	AWX1534	Remarks
	JA3102 RCA JACK R2621-R2628	AKB7250 Not used	AKB7250 RS1/10SR100J	AKB7248 Not used	
	R2718, R2719, R2827, R2828 R2841 R2717, R3908, R3909 R2575, R2576 R2577-R2580	RS1/10SR0R0J RS1/10SR0R0J RS1/10SR0R0J RS1/10SR0R0J RS1/10SR100J	RS1/10SR100J RS1/10SR100J RS1/10SR120J RS1/10SR220J RS1/10SR101J	RS1/10SR0R0J RS1/10SR0R0J RS1/10SR0R0J RS1/10SR0R0J RS1/10SR100J	
	R3101, R3102, R3151, R3201 R3202, R3251, R3252, R3271 R3272, R6705, R6706 R3951-R3958 C2807, C2808	RS1/10SR221J RS1/10SR221J RS1/10SR221J RS1/10SR473J CCSQCH221J50	RS1/10SR271J RS1/10SR271J RS1/10SR271J Not used Not used	RS1/10SR221J RS1/10SR221J RS1/10SR221J RS1/10SR473J CCSQCH221J50	
	C3167, C3946 C3909	CCSRCH100D50 CCSRCH331J50	Not used Not used	Not used CCSRCH331J50	

BF DAC HIGH ASSY

AWX1479, AWX1355 and AWX1519 are constructed the same except for the following:

Mark	Symbol and Description	AWX1479	AWX1355	AWX1519	Remarks
	IC2032 JA2009 RCA JACK R2201 R2499 R5435-R5446	NJM4565MD AKB7235 RS1/10SR0R0J RS1/10SR0R0J RS1/10SR0R0J	UPC4570G2-A AKB7235 RS1/10SR101J RS1/10SR101J RS1/10SR1R0J	NJM4565MD AKB7173 RS1/10SR2R2J RS1/10SR0R0J RS1/10SR1R0J	
	R2181 R2184 R2479 R2179, R2180, R2182, R2183 R2141	RS1/10SR0R0J RS1/10SR0R0J RS1/10SR104J RS1/10SR220J RS1/16SS470J	RS1/10SR2R2J RS1/10SR2R2J Not used RS1/10SR270J RS1/16SS101J	RS1/10SR2R2J RS1/10SR0R0J Not used RS1/10SR220J RS1/16SS101J	
	R2421 R5411, R5412 C2270 C2297 C2047	RS1/16SS470J RS1/8SQ0R0J CCSQCH221J50 CCSRCH221J50 CCSSCH101J50	RS1/16SS560J RS1/8SQ100J Not used Not used CCSSCH470J50	RS1/16SS560J RS1/8SQ100J Not used Not used CCSSCH470J50	
	C2240-C2249 C2094, C2095, C2101, C2104 C2132, C2135, C2140-C2149 C2170-C2189 C2099, C2100, C2117, C2118	CKSQYB103K50 CKSQYB103K50 CKSQYB103K50 CKSQYB103K50 CKSQYB104K50	CFHXSQ103J16 Not used Not used Not used CKSQYB103K50	CKSQYB103K50 Not used Not used Not used CKSQYB103K50	
	C2266, C2288 C2271 C2278 C2078, C2308 C2122, C2124	CKSQYB104K50 CKSQYB104K50 CKSQYB225K16 CKSQYB225K16 CKSRYB103K50	CKSQYB103K50 Not used Not used VCG1072 Not used	CKSQYB103K50 Not used Not used VCG1072 Not used	
	C2082 C2008, C2285 C2295 C2363 C2356, C2358	CKSRYB104K50 CKSRYB104K50 CKSRYB474K16 Not used Not used	CKSRYB103K50 Not used Not used CCSQCH221J50 CFHXSQ101J50	CKSRYB103K50 Not used Not used CCSQCH221J50 CFHXSQ101J50	
	C2357, C2359 C2362 C2102, C2106 C2133, C2136 C2116, C2134, C2137	Not used Not used CCSQCH102J50 CCSQCH102J50 CCSQCH331J50	CFHXSQ471J50 CKSQYB104K50 CCSQCH331J50 CKSQYB103K50 Not used	CFHXSQ471J50 CKSQYB104K50 CCSQCH331J50 CKSQYB103K50 Not used	
	C2364 C2109, C2110	Not used CEAK470M25	CCSQCH331J50 CEAK101M16	CCSQCH331J50 CEAK101M16	

C F FRONT HDMI USB ASSY

AWX1551, AWX1683 and AWX1390 are constructed the same except for the following:

Mark	Symbol and Description	AWX1551	AWX1683	AWX1390	Remarks
	R8025	RS1/16SS473J	RS1/16SS104J	RS1/16SS104J	
	C8001	CCSSCH101J50	CCSSCH470J50	CCSSCH470J50	
	C8023	CKSQYB225K16	VCG1072	VCG1072	
	C8035	Not used	CCSRCH390J50	Not used	
	C8041	CCSRCH100D50	CCSRCH221J50	CCSRCH221J50	
	C8010	CEAK221M16	ACH7377	CEAK221M16	

D F USB RECT ASSY

AWX1418 and AWX1686 are constructed the same except for the following:

Mark	Symbol and Description	AWX1418	AWX1686	Remarks
	C3661	CKSRYB104K50	CKSRYB103K50	

E F USB DAC ASSY

AWX1456 and AWX1481 are constructed the same except for the following:

Mark	Symbol and Description	AWX1456	AWX1481	Remarks
	CN5502 B To B 11pin Plug	AKM7101	Not used	
	CN5501 B To B 17pin Plug	Not used	AKM7104	
	CN5503 B To B 25pin Plug	AKM7108	Not used	
	R5608, R5610	RS1/16SS100J	RS1/16SS101J	
	R5709-R5716	RS1/16SS0R0J	Not used	
	C5551	CKSSYB104K16	Not used	
	C5574, C5577	CCSSCH331J50	CCSSCH390J50	
	C5581	CCSSCH331J50	CCSSCH470J50	
	C5682, C5683	CCSSCH100D50	Not used	
	C5709	Not used	CCSRCH120J50	

G F DIGITAL MAIN ASSY

AWX1331, AWX1420 and AWX1657 are constructed the same except for the following:

Mark	Symbol and Description	AWX1331	AWX1420	AWX1657	Remarks
	IC1512	TC7SZ126FU	TC7SZ126FU	Not used	
	IC1615	Not used	AAT4610BIGV-1	AAT4610BIGV-1	
	L1508	VTL1129	VTL1129	Not used	
	L1638-L1641 COIL	Not used	ATH7064	ATH7064	
	L1635 FERRITE BEAD	CTF1528	Not used	Not used	
	L1642 FERRITE BEAD	Not used	CTF1528	CTF1528	
	CN1984 B TO B 17PIN JACK	Not used	AKN7070	Not used	
	CN1983 B TO B 25PIN JACK	AKN7074	Not used	Not used	
	JA1603 HDMI JACK	Not used	AKP7268	AKP7268	
	JA1604 HDMI JACK	AKP7268	Not used	Not used	
	R218, R1567	RS1/16SS100J	RS1/16SS220J	RS1/16SS100J	
	R656	RS1/16SS101J	RS1/16SS221J	RS1/16SS221J	
	R659	RS1/16SS100J	RS1/16SS470J	RS1/16SS470J	
	R702, R703	RS1/16SS121J	RS1/16SS151J	RS1/16SS121J	
	R754, R757, R761, R762	RS1/16SS101J	RS1/16SS221J	RS1/16SS101J	
	R823, R1780, R1781, R1959	RS1/16SS100J	Not used	Not used	
	R849	RS1/16SS101J	Not used	Not used	
	R850	RS1/16SS473J	RS1/16SS0R0J	RS1/16SS0R0J	
	R903, R927, R936, R953	RS1/16SS100J	RS1/16SS120J	RS1/16SS100J	
	R1087, R1357	RS1/16SS0R0J	RS1/16SS120J	RS1/16SS120J	
	R1462, R1686, R1779	RS1/16SS0R0J	Not used	Not used	
	R1507	RS1/16SS222J	RS1/16SS472J	RS1/16SS220J	
	R1584, R1875, R1948	RS1/16SS100J	RS1/16SS101J	RS1/16SS101J	

Mark	Symbol and Description	AWX1331	AWX1420	AWX1657	Remarks
R1596 R1598, R1945, R1984		RS1/16SS330J RS1/16SS100J	RS1/16SS121J RS1/16SS100J	RS1/16SS121J Not used	
R1599 R1600 R1609, R1610 R1613 R1614		RS1/16SS120J RS1/16SS330J Not used Not used Not used	RS1/16SS120J RS1/16SS330J RS1/16SS182J RS1/16SS122J RS1/16SS393J	Not used Not used RS1/16SS182J RS1/16SS122J RS1/16SS393J	A
R1617 R1618, R1619 R1620 R1665 R1789, R1790		Not used Not used Not used RS1/16SS473J Not used	RS1/16SS473J RS1/16SS0R0J RS1/16SS120J Not used RS1/16SS100J	RS1/16SS473J RS1/16SS0R0J RS1/16SS120J Not used RS1/16SS100J	
R1831, R1878 R1845 R1848 R1983 R1986-R1992		RS1/16SS100J RS1/16SS473J RS1/16SS473J RS1/16SS0R0J RS1/16SS100J	RS1/16SS220J RS1/16SS473J RS1/16SS473J RS1/16SS0R0J RS1/16SS100J	RS1/16SS220J RS1/16SS100J RS1/16SS0R0J Not used Not used	B
R1994, R1995, R2000 R9101-R9107 R9316 R9346 R9525		RS1/16SS100J RS1/16SS270J RS1/16SS470J RS1/16SS100J Not used	Not used RS1/16SS330J RS1/16SS101J RS1/16SS220J RS1/4SA105J	Not used RS1/16SS330J RS1/16SS101J RS1/16SS100J RS1/4SA105J	
R9635 R9656, R9658 R9660 R9662 R9674		RS1/16SS0R0J RS1/16SS100J RS1/16SS100J RS1/16SS100J RS1/16SS100J	RS1/16SS100J RS1/16SS120J RS1/16SS120J RS1/16SS120J RS1/16SS120J	RS1/16SS100J RS1/16SS100J RS1/16SS120J RS1/16SS100J RS1/16SS120J	C
R9704 R9728, R9730 C104, C107, C1031, C9005 C142, C1564, C1739, C1994 C176, C1294, C1685, C1766		RS1/16SS2R2J RS1/16SS0R0J CEVW101M16 CKSSYB104K16 CCSSCH331J50	RS1/16SS100J RS1/16SS2R2J VCH1234 Not used CCSSCH470J50	RS1/16SS100J RS1/16SS0R0J CEVW101M16 Not used CCSSCH470J50	
C195 C215, C648, C741, C9269 C216 C421 C423		Not used CCSSCH100D50 Not used VCG1072 Not used	CCSSCH180J50 CCSSCH470J50 CKSSYB104K16 RS1/8SQ105J CCSQCH330J50	Not used CCSSCH470J50 CKSSYB104K16 VCG1072 Not used	D
C424, C9403, C9405 C453 C456, C917, C1358, C1720 C488, C9407 C498, C572, C9100, C9313		CKSQYB105K25 Not used CEVW221M4 Not used Not used	VCG1072 VCH1234 VCH1234 CCSQCH330J50 CCSSCH330J50	CKSQYB105K25 Not used CEVW221M4 CCSQCH330J50 CCSSCH330J50	
C511, C538, C552, C1672 C536, C739, C1483 C554 C613 C623		Not used Not used Not used CKSSYB104K16 CCSSCH101J50	CCSSCH270J50 CCSSCH470J50 CCSSCH220J50 CCSSCH330J50 CCSSCH560J50	Not used CCSSCH470J50 CCSSCH220J50 CCSSCH330J50 CCSSCH101J50	E
C678, C9485 C679 C748 C952, C1792, C9056, C9085 C958, C969, C1751, C9267		CCSSCH100D50 CCSSCH100D50 CCSSCH331J50 CCSSCH101J50 CCSSCH331J50	CCSSCH330J50 CCSSCH220J50 CCSSCH221J50 CCSSCH470J50 CCSSCH330J50	CCSSCH330J50 CCSSCH100D50 CCSSCH331J50 CCSSCH470J50 CCSSCH330J50	
C973 C1113 C1220, C1278, C1393, C1689 C1274 C1276, C1809, C1812, C9764		Not used CEVW101M16 CCSSCH101J50 CCSSCH331J50 CKSSYB104K16	CCSSCH220J50 CEVW101M16 CCSSCH220J50 CCSSCH270J50 CKSSYB103K25	Not used Not used CCSSCH220J50 CCSSCH270J50 CKSSYB104K16	F

Mark	Symbol and Description	AWX1331	AWX1420	AWX1657	Remarks
A	C1350	DCH1246	CCSSCH470J50	DCH1246	
	C1355	VCH1277	VCH1234	CEVW221M4	
	C1360, C1815	Not used	CCSSCH100D50	Not used	
	C1379	Not used	CCSSCH560J50	Not used	
	C1390, C9301, C9344	CCSSCH101J50	CCSSCH270J50	CCSSCH270J50	
B	C1485, C1993	CCSSCH331J50	Not used	Not used	
	C1503, C1574, C9675	CKSSYB104K16	CKSSYB103K25	CKSSYB103K25	
	C1568	CKSSYB104K16	CKSSYB104K16	Not used	
	C1569	CCSSCH331J50	CCSSCH331J50	Not used	
	C1606, C1621	Not used	CKSQYB103K50	CKSQYB103K50	
	C1623	Not used	CCSSCH331J50	CCSSCH331J50	
	C1657	Not used	CCSSCH270J50	CCSSCH270J50	
	C1670	CCSSCH471J50	CCSSCH330J50	CCSSCH330J50	
	C1683, C1750, C1824, C9215	CCSSCH101J50	CCSSCH330J50	CCSSCH330J50	
	C1691	CCSSCH331J50	CCSSCH220J50	CCSSCH220J50	
C	C1768, C1784, C1790, C9015	CCSSCH331J50	CCSSCH470J50	CCSSCH470J50	
	C1810, C9263	CCSSCH331J50	CCSSCH560J50	CCSSCH331J50	
	C1836	CEVW470M6R3	CEVW470M6R3	Not used	
	C1933	CKSQYB225K16	VCG1072	CKSQYB225K16	
	C1983, C1989	CCSSCH100D50	CCSSCH100D50	Not used	
	C9006, C9007, C9711, C9749	CKSSYB104K16	Not used	CKSSYB104K16	
	C9022	CCSSCH100D50	CCSSCH470J50	CCSSCH100D50	
	C9027, C9211, C9361	CCSSCH101J50	CCSSCH270J50	CCSSCH101J50	
	C9055, C9599, C9783	CCSSCH331J50	CCSSCH220J50	CCSSCH331J50	
	C9061	CCSSCH221J50	CCSSCH390J50	CCSSCH221J50	
D	C9072, C9259, C9261	CCSSCH101J50	CCSSCH220J50	CCSSCH220J50	
	C9201, C9284, C9285	CCG1222	VCG1072	VCG1072	
	C9204, C9354	CCSSCH101J50	CCSSCH220J50	CCSSCH101J50	
	C9227, C9490	CKSSYB103K25	Not used	Not used	
	C9232	CCSSCH331J50	CCSSCH181J50	CCSSCH181J50	
	C9251	CCSSCH331J50	CCSSCH390J50	CCSSCH331J50	
	C9282, C9283	CKSSYB103K25	CKSSYB152K50	CKSSYB152K50	
	C9287	CCSSCH470J50	CCSSCH330J50	CCSSCH330J50	
	C9292	CKSSYB103K25	CCSSCH471J50	CCSSCH471J50	
	C9293, C9365, C9684, C9777	CCSSCH101J50	CCSSCH330J50	CCSSCH330J50	
E	C9302	CKSSYB223K16	CKSSYB103K25	CKSSYB103K25	
	C9309	Not used	CCSSCH150J50	Not used	
	C9312	CEVW221M4	VCH1234	VCH1234	
	C9314	CEVW221M4	VCH1234	CEVW221M4	
	C9315	Not used	CCSSCH120J50	Not used	
	C9404	Not used	CCSSCH221J50	Not used	
	C9507	CCSSCH331J50	CCSSCH180J50	CCSSCH331J50	
	C9532	CFHXSQ103J16	CFHXSQ103J16	Not used	
	C9544	CKSRYB104K50	Not used	Not used	
	C9583	VCH1234	VCH1234	Not used	
F	C9637	CCSSCH100D50	CCSSCH220J50	CCSSCH220J50	
	C9662, C9770	CCSSCH221J50	CCSSCH270J50	CCSSCH221J50	
	C9666, C9668, C9758, C9784	CCSSCH101J50	CCSSCH470J50	CCSSCH470J50	
	C9672, C9819, C9920	CCSSCH331J50	CCSSCH470J50	CCSSCH470J50	
	C9694	CCSSCH331J50	CCSSCH330J50	CCSSCH330J50	
	C9701	CCSSCH100D50	CCSSCH150J50	CCSSCH100D50	
	C9721	CKSSYB332K50	CCSSCH270J50	CKSSYB332K50	
	C9725, C9727	CKSSYB332K50	Not used	CKSSYB332K50	
	C9728	CKSSYB332K50	CCSSCH560J50	CKSSYB332K50	
	C9730-C9732	CCSSCH100D50	CCSSCH150J50	CCSSCH150J50	
C9736	CCSSCH100D50	CKSSYB103K25	CKSSYB103K25		

Mark	Symbol and Description	AWX1331	AWX1420	AWX1657	Remarks
NSP	C9738-C9740 C9747, C9748 C9750, C9755, C9768 C9765	CCSSCH100D50 CEVW101M16 CKSSYB104K16 CCSSCH100D50	CCSSCH150J50 VCH1234 Not used CCSSCH470J50	CCSSCH150J50 CEVW101M16 CKSSYB104K16 CCSSCH470J50	
	C9778 C9787 C9791 C9798 C9915	CCSSCH331J50 CCSSCH101J50 CCSSCH471J50 CKSSYB103K25 Not used	Not used CCSSCH470J50 CCSSCH220J50 CCSSCH220J50 CCSSCH270J50	CCSSCH331J50 CCSSCH470J50 CCSSCH220J50 CCSSCH220J50 Not used	
	PCB	ANP7870	ANP7853	ANP7853	

H F INTERFACE ASSY

AWX1554 and AWX1555 are constructed the same except for the following:

Mark	Symbol and Description	AWX1554	AWX1555	Remarks
	KN7002, KN7004 Earth Terminal R7043, R7136, R7137, R7301 R7110, R7111 R7113 R7303, R7304	Not used Not used Not used RS1/10SR0R0J Not used	AKF7002 RS1/10SR0R0J RS1/4SA105J RS1/10SR100J RS1/10SR0R0J	
	C7006, C7012, C7096, C7125 C7015, C7097 C7011, C7081, C7083, C7114 C7124	CCSRCH102J50 CKSRYB104K50 CKSRYB104K50 CKSRYB104K50	Not used CKSRYB103K50 Not used Not used	

I F COMPONENT ASSY

AWX1626, AWX1627 and AWX1630 are constructed the same except for the following:

Mark	Symbol and Description	AWX1626	AWX1627	AWX1630	Remarks
	JA8302, JA8304 3P PIN JACK AU JA8305 3P PIN JACK AU JA8301 6P PIN JACK AU R8316, R8318, R8320 R8317, R8319, R8321	AKB7228 AKB7228 AKB7225 RS1/10SR68R0F RS1/10SR3R9J	AKB7228 AKB7228 AKB7225 RS1/10SR68R0F RS1/10SR3R9J	AKB7227 Not used AKB7224 Not used Not used	
	R8382 R8504, R8505 R8506 C8501 C8509	Not used RS1/10SR101J RS1/10SR331J CCSRCH102J50 CCSRCH101J50	RS1/10SR105J RS1/10SR471J RS1/10SR471J CCSRCH471J50 Not used	RS1/10SR105J RS1/10SR471J RS1/10SR471J CCSRCH471J50 Not used	
	C8511, C8512	CCSRCH470J50	Not used	Not used	

J F COMPOSITE ASSY

AWX1459 and AWX1483 are constructed the same except for the following:

Mark	Symbol and Description	AWX1459	AWX1483	Remarks
	JA3604, JA3605 1P PIN JACK	AKB7232	AKB7231	
	JA3601-JA3603 2P PIN JACK	AKB7230	AKB7229	

K F MIC HP ASSY

Although AWX1395 and AWX1511 are different in part number, they consist of the same service components.

L F DISPLAY ASSY

AWX1391 and AWX1619 are constructed the same except for the following:

Mark	Symbol and Description	AWX1391	AWX1619	Remarks	
A	R6067, R6227-R6229	Not used	RS1/10SR0R0J		
	R6107-R6109, R6111	RS1/10SR101J	RS1/10SR121J		
	R6230, R6231	Not used	RS1/10SR105J		
	C6029	CCSRCH101J50	Not used		
	C6097	CCSRCH331J50	Not used		
	C6074	CCSRCH471J50	CCSRCH221J50		
	C6083	CCSRCH471J50	CCSRCH331J50		
	C6063	CCSRCH471J50	CCSRCH470J50		
	C6091	CKSRYB103K50	CCSRCH331J50		
	C6008	CKSRYB103K50	CKSRYB104K50		
	B	C6022	CKSRYB104K50	CCSRCH470J50	
		C6006, C6010, C6043, C6065	CKSRYB104K50	CKSRYB103K50	
		C6019	CKSRYB104K50	Not used	
		C6050	Not used	CCSRCH221J50	
C6070		Not used	CCSRCH471J50		
D6005		DAN217U	Not used		
C6027		ACH7268	CEAK221M16		
C6051		ACH7272	CEAK101M16		
C6069, C6088		CEAK470M50	Not used		
C6087		CEAK101M35	Not used		

P F IR BUFFER ASSY

AWX1538, AWX1539 and AWX1687 are constructed the same except for the following:

Mark	Symbol and Description	AWX1538	AWX1539	AWX1687	Remarks
D	R6810, R6811, R6830, R6831	RS1/10SR120J	RS1/10SR220J	RS1/10SR120J	
	R6817	RS1/8SQ184J	RS1/8SQ204J	RS1/8SQ184J	
	R6850, R6851, R6870, R6871	RS1/10SR120J	RS1/10SR220J	RS1/10SR120J	
	R6890, R6891, R6910, R6911	RS1/10SR120J	RS1/10SR220J	RS1/10SR120J	
	R6930, R6931, R7460, R7461	RS1/10SR120J	RS1/10SR220J	RS1/10SR120J	
	R7480, R7481	RS1/10SR120J	RS1/10SR220J	RS1/10SR120J	
	R8925-R8929	Not used	RS1/4S0R0J	RS1/4S0R0J	

S F D-AMP ASSY

AWX1437, AWX1438 and AWX1442 are constructed the same except for the following:

Mark	Symbol and Description	AWX1437	AWX1438	AWX1442	Remarks
E	⚠ IC4101, IC4201, IC4301, IC4401	IRS20957SPBF	IRS20957SPBFS1	IRS20957SPBFS1	
	⚠ IC4501, IC4601, IC4701, IC4801	IRS20957SPBF	IRS20957SPBFS1	IRS20957SPBFS1	
	⚠ IC4901	IRS20957SPBF	IRS20957SPBFS1	IRS20957SPBFS1	
	IC4204, IC4404, IC4604, IC4704	NJM12904V	NJM2732V	NJM2732V	
	IC4804	NJM12904V	NJM2732V	NJM2732V	
	KN4502,KN4901 EARTH TERMINAL	Not used	AKF7002	AKF7002	
	JA4301, JA4501, JA4901	AKE7149	AKE7147	AKE7143	
	JA5101 SP TERMINAL 4-P(V0)	AKE7149	AKE7147	AKE7143	
	JA4101 SP TERMINAL 6-P(V0)	AKE7150	AKE7148	AKE7144	
	R4140, R4240, R4340, R4440	ACN7165	RS1/4SA390J	RS1/4SA220J	
	R4540, R4640, R4740, R4840	ACN7165	RS1/4SA390J	RS1/4SA220J	
	R4940	ACN7165	RS1/4SA390J	RS1/4SA220J	
	R4117, R4118, R4217, R4218	RS1/10SR0R0J	RS1/10SR1R0J	RS1/10SR1R0J	
	R4317, R4318, R4417, R4418	RS1/10SR0R0J	RS1/10SR1R0J	RS1/10SR1R0J	
R4517, R4518, R4617, R4618	RS1/10SR0R0J	RS1/10SR1R0J	RS1/10SR1R0J		
F	R4717, R4718, R4817, R4818	RS1/10SR0R0J	RS1/10SR1R0J	RS1/10SR1R0J	
	R4917, R4918	RS1/10SR0R0J	RS1/10SR1R0J	RS1/10SR1R0J	
	R5158	RS1/10SR0R0J	RS1/10SR2R2J	RS1/10SR2R2J	

Mark	Symbol and Description	AWX1437	AWX1438	AWX1442	Remarks
	R4783 R4051-R4053, R4275, R4475	RS1/10SR0R0J RS1/10SR101J	RS1/10SR4R7J RS1/10SR121J	RS1/10SR4R7J RS1/10SR121J	
	R4675, R4775, R4875 R4009, R4189, R4289, R4389 R4489, R4589, R4689, R4789 R4889, R4989 R4870, R4970	RS1/10SR101J RS1/10SR101J RS1/10SR101J RS1/10SR101J RS1/10SR102J	RS1/10SR121J RS1/10SR221J RS1/10SR221J RS1/10SR221J RS1/10SR103J	RS1/10SR121J RS1/10SR221J RS1/10SR221J RS1/10SR221J RS1/10SR103J	
	R4880, R4980 R4180, R4280, R4380, R4480 R4580, R4680, R4780 R4182, R4282, R4382, R4482 R4582, R4682, R4782, R4882	RS1/10SR103J RS1/10SR103J RS1/10SR103J RS1/10SR180J RS1/10SR180J	RS1/10SR123J RS1/10SR912J RS1/10SR912J RS1/10SR470J RS1/10SR470J	RS1/10SR123J RS1/10SR912J RS1/10SR912J RS1/10SR390J RS1/10SR390J	
	R4982 R5141-R5149 R5191 R5192 C4063	RS1/10SR180J RS1/4SA103J RS1/10SR0R0J Not used ACH7311	RS1/10SR470J RS1/4SA153J Not used RS1/10SR0R0J CEAK221M35	RS1/10SR390J RS1/4SA123J Not used RS1/10SR0R0J CEAK221M35	
	C4008, C4010, C4036, C4052 C4053 C4009 C4015 C4087	ACH7321 ACH7321 CCSRCH101J50 CCSRCH101J50 CCSRCH101J50	CEAK471M6R3 CEAK471M6R3 CCSRCH221J50 CCSRCH470J50 Not used	CEAK471M6R3 CEAK471M6R3 CCSRCH221J50 CCSRCH470J50 Not used	
	C4014 C4086 C4083, C4084 C4953 C5186	CCSRCH331J50 CKSRYB103K50 Not used Not used Not used	CCSRCH470J50 Not used ACE7082 CFHXSQ101J50 CFHXSQ103J16	CCSRCH470J50 Not used ACE7082 CFHXSQ101J50 CFHXSQ103J16	

I F PRIMARY ASSY

AWX1394 and AWX1447 are constructed the same except for the following:

Mark	Symbol and Description	AWX1394	AWX1447	Remarks
⚠	D50	FMW-2206	FMEN-220A	
⚠	L1 LINE FILTER	ATF7046	ATF7050	
⚠	CN81 CONNECTOR	B2P3-VH	Not used	
⚠	CN82 CONNECTOR(VH)	Not used	B3P5-VH	
	R6	RS1/8SQ471J	RS1/8SQ102J	
	R51	RS1/10SR221J	RS1/10SR181J	
	R59	RS1/8SQ365J	Not used	
	R70	RS1/10SR0R0J	RS1/10SR390J	
	R80	Not used	RS1/10SR105J	
	C55	CCSRCH331J50	Not used	
	C62	Not used	DCH1330	
	C66	Not used	CCSQCH330J50	

V F REG ASSY

AWX1590, AWX1688 and AWX1410 are constructed the same except for the following:

Mark	Symbol and Description	AWX1590	AWX1688	AWX1410	Remarks
	R7643-R7646	RS1/10SR0R0J	RS1/10SR1R0J	RS1/10SR0R0J	
	R7651	Not used	RS1/10SR105J	RS1/10SR105J	
	C7626	CKSRYB103K50	Not used	Not used	
	C7627	Not used	CCSRCH101J50	CCSRCH101J50	
	C7628	CCSRCH331J50	Not used	Not used	
	C7625	CEAK470M50	CEAK101M35	CEAK101M35	

WF IR REG ASSY

AWX1557, AWX1558 and AWX1569 are constructed the same except for the following:

Mark	Symbol and Description	AWX1557	AWX1558	AWX1569	Remarks
	C7217, C7218 R7255 R7256	CKSRYB103K50 RS1/8SQ4R7J RS1/8SQ3R3J	Not used RS1/8SQ1R5J RS1/8SQ1R0J	Not used RS1/8SQ1R5J RS1/8SQ1R0J	

XF B DIODE ASSY

Although AWX1560 and AWX1561 are different in part number, they consist of the same service components.

AF DISPLAY BRIDGE ASSY

AWX1592 and AWX1412 are constructed the same except for the following:

Mark	Symbol and Description	AWX1592	AWX1412	Remarks
	KN7901 EARTH TERMINAL R7901, R7911	Not used Not used	AKF7002 RS1/10SR0R0J	

AH F A REG BRIDGE ASSY

AWX1565 and AWX1566 are constructed the same except for the following:

Mark	Symbol and Description	AWX1565	AWX1566	Remarks
	R5776 R5777, R5780 R5779	RS1/10SR682J Not used RS1/10SR183J	RS1/10SR105J RS1/10SR472J Not used	

AK F BIND DM CABLE ASSY

AWX1419 and AWX1620 are constructed the same except for the following:

Mark	Symbol and Description	AWX1419	AWX1620	Remarks
	JH 3351 PCB BINDER	Not used	AEF7008	

PCB PARTS LIST

Mark No. Description Part No.

AR F MULTI CH IN ASSY**MISCELLANEOUS**

JA 7761,7762 RCA JACK	AKB7242
KN 7761 SCREW PLATE	VNE1948
CN 7761 18P SOCKET	AKP7123

RESISTORS

All Resistors	RS1/10SR###J
---------------	--------------

CAPACITORS

C 7761-7764,7767-7770	CCSRCH101J50
C 7765,7766,7771,7772	CEAK220M50
C 7773-7776,7779-7782	CCSRCH101J50
C 7777,7778,7783,7784	CEAK220M50

AS F MCH BRIDGE ASSY**MISCELLANEOUS**

CN 7671,7672 18P PLUG	AKM7050
-----------------------	---------