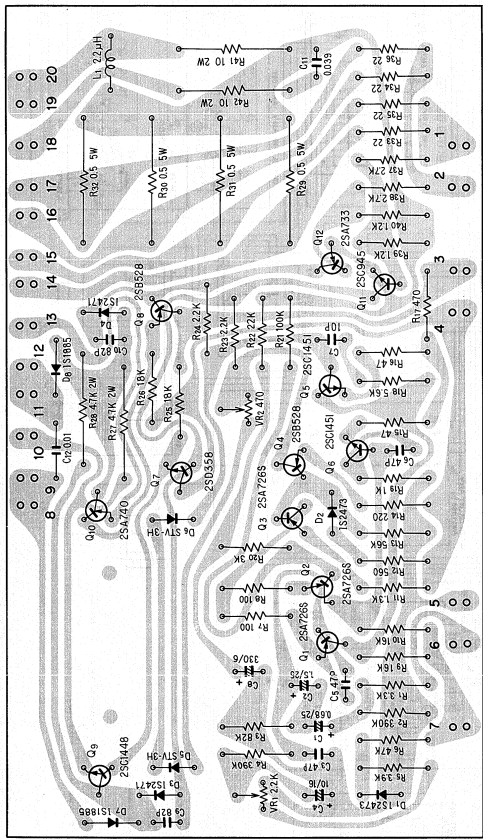
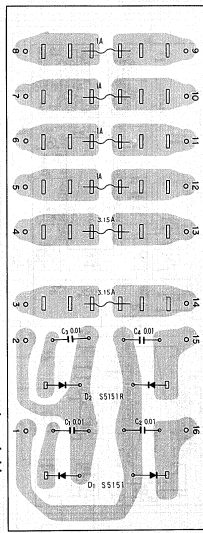


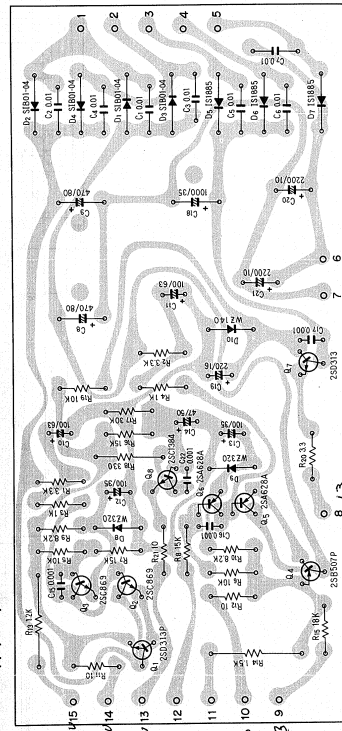
Power amp ass'y AWH-032



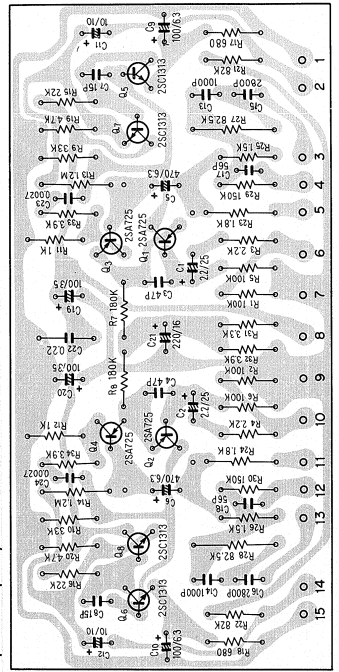
Power supply ass'y A AWR-053



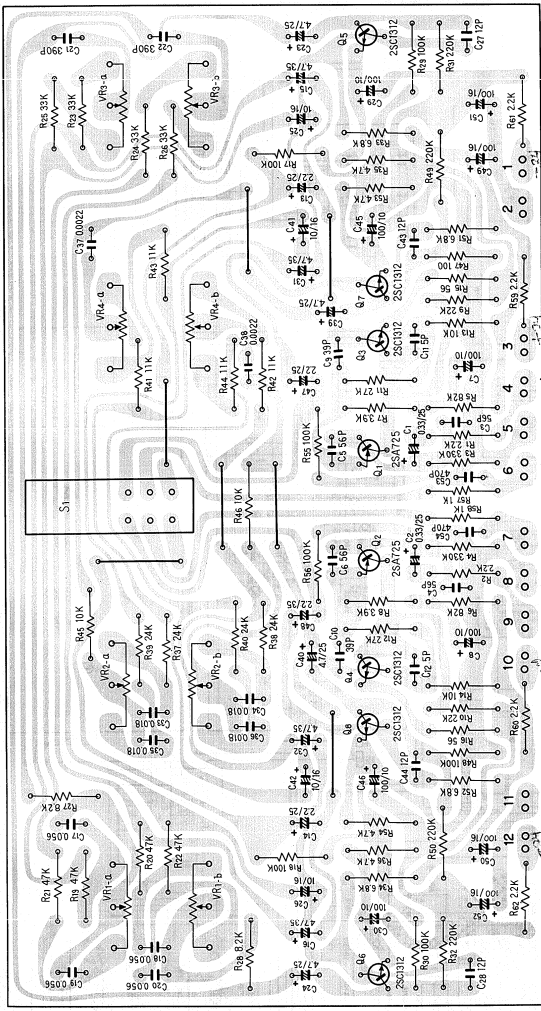
Power supply ass'y B AWR-054



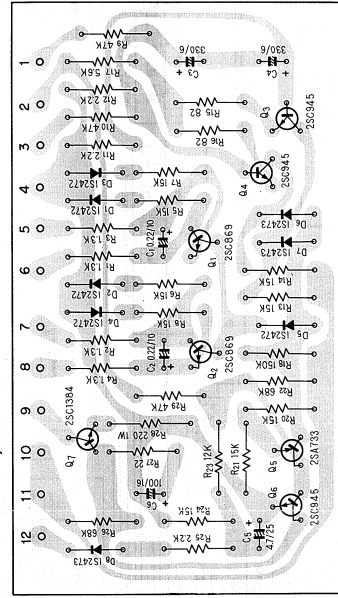
Equalizer amp ass'y AWF-013



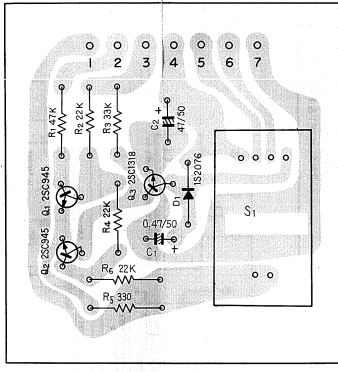
Control amp ass'y AWM-027



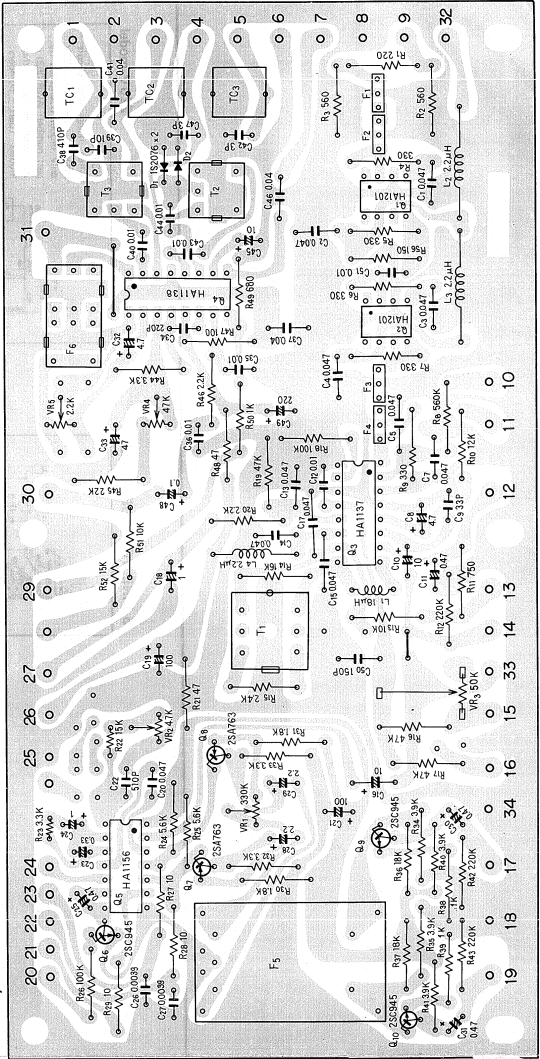
Protection circuit ass'y AWM-062



Mating circuit ass'y AWM-039



Tuner ass'y AWE-040



AM/FM STEREO RECEIVER

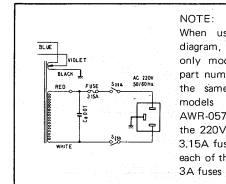
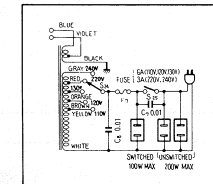
SX-1010

F GN KCU

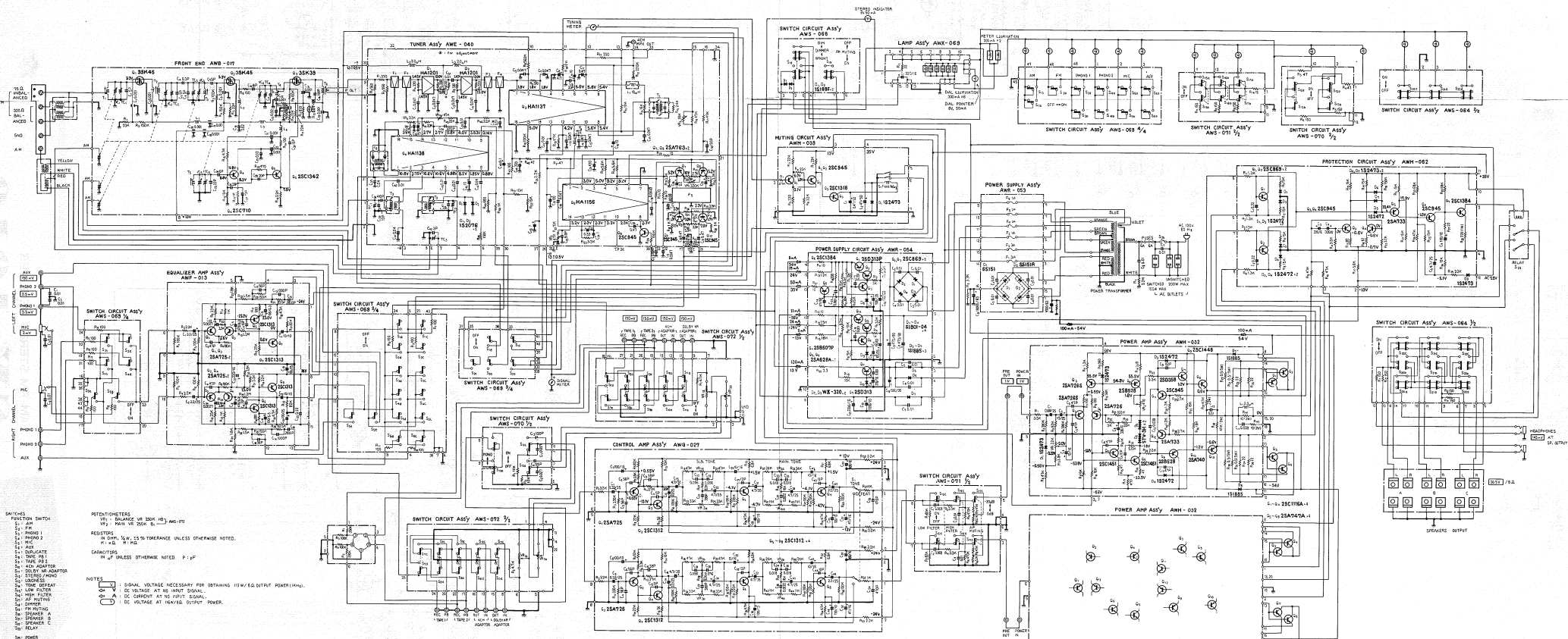


5-LINE VOLTAGE MODEL

220V model



NOTE:
When using this circuit diagram, note that a 220V only model (identified by part number: AWR-053) is the same as two other models (part numbers: AWR-057 each) except that the 220V only model uses 3.15A fuses (F1 & F2) and each of the two others uses 3A fuses (F1 & F2)



SWITCHES
FRONT END SWITCH
1. AM
2. PHONO 1
3. PHONO 2
4. AM
5. MUTE
6. TUNE
7. TUNE ADJUST
8. TUNE RANGE
9. TUNE RANGE
10. TUNE RANGE
11. TUNE RANGE
12. TUNE RANGE
13. TUNE RANGE
14. TUNE RANGE
15. TUNE RANGE
16. TUNE RANGE
17. TUNE RANGE
18. TUNE RANGE
19. TUNE RANGE
20. TUNE RANGE
21. TUNE RANGE
22. TUNE RANGE
23. TUNE RANGE
24. TUNE RANGE
25. TUNE RANGE
26. TUNE RANGE
27. TUNE RANGE
28. TUNE RANGE
29. TUNE RANGE
30. TUNE RANGE
31. TUNE RANGE
32. TUNE RANGE
33. TUNE RANGE
34. TUNE RANGE
35. TUNE RANGE
36. TUNE RANGE
37. TUNE RANGE
38. TUNE RANGE
39. TUNE RANGE
40. TUNE RANGE
41. TUNE RANGE
42. TUNE RANGE
43. TUNE RANGE
44. TUNE RANGE
45. TUNE RANGE
46. TUNE RANGE
47. TUNE RANGE
48. TUNE RANGE
49. TUNE RANGE
50. TUNE RANGE
51. TUNE RANGE
52. TUNE RANGE
53. TUNE RANGE
54. TUNE RANGE
55. TUNE RANGE
56. TUNE RANGE
57. TUNE RANGE
58. TUNE RANGE
59. TUNE RANGE
60. TUNE RANGE
61. TUNE RANGE
62. TUNE RANGE
63. TUNE RANGE
64. TUNE RANGE
65. TUNE RANGE
66. TUNE RANGE
67. TUNE RANGE
68. TUNE RANGE
69. TUNE RANGE
70. TUNE RANGE
71. TUNE RANGE
72. TUNE RANGE
73. TUNE RANGE
74. TUNE RANGE
75. TUNE RANGE
76. TUNE RANGE
77. TUNE RANGE
78. TUNE RANGE
79. TUNE RANGE
80. TUNE RANGE
81. TUNE RANGE
82. TUNE RANGE
83. TUNE RANGE
84. TUNE RANGE
85. TUNE RANGE
86. TUNE RANGE
87. TUNE RANGE
88. TUNE RANGE
89. TUNE RANGE
90. TUNE RANGE
91. TUNE RANGE
92. TUNE RANGE
93. TUNE RANGE
94. TUNE RANGE
95. TUNE RANGE
96. TUNE RANGE
97. TUNE RANGE
98. TUNE RANGE
99. TUNE RANGE
100. TUNE RANGE

ROTARY SWITCHES
1. AM
2. PHONO 1
3. PHONO 2
4. AM
5. MUTE
6. TUNE
7. TUNE ADJUST
8. TUNE RANGE
9. TUNE RANGE
10. TUNE RANGE
11. TUNE RANGE
12. TUNE RANGE
13. TUNE RANGE
14. TUNE RANGE
15. TUNE RANGE
16. TUNE RANGE
17. TUNE RANGE
18. TUNE RANGE
19. TUNE RANGE
20. TUNE RANGE
21. TUNE RANGE
22. TUNE RANGE
23. TUNE RANGE
24. TUNE RANGE
25. TUNE RANGE
26. TUNE RANGE
27. TUNE RANGE
28. TUNE RANGE
29. TUNE RANGE
30. TUNE RANGE
31. TUNE RANGE
32. TUNE RANGE
33. TUNE RANGE
34. TUNE RANGE
35. TUNE RANGE
36. TUNE RANGE
37. TUNE RANGE
38. TUNE RANGE
39. TUNE RANGE
40. TUNE RANGE
41. TUNE RANGE
42. TUNE RANGE
43. TUNE RANGE
44. TUNE RANGE
45. TUNE RANGE
46. TUNE RANGE
47. TUNE RANGE
48. TUNE RANGE
49. TUNE RANGE
50. TUNE RANGE
51. TUNE RANGE
52. TUNE RANGE
53. TUNE RANGE
54. TUNE RANGE
55. TUNE RANGE
56. TUNE RANGE
57. TUNE RANGE
58. TUNE RANGE
59. TUNE RANGE
60. TUNE RANGE
61. TUNE RANGE
62. TUNE RANGE
63. TUNE RANGE
64. TUNE RANGE
65. TUNE RANGE
66. TUNE RANGE
67. TUNE RANGE
68. TUNE RANGE
69. TUNE RANGE
70. TUNE RANGE
71. TUNE RANGE
72. TUNE RANGE
73. TUNE RANGE
74. TUNE RANGE
75. TUNE RANGE
76. TUNE RANGE
77. TUNE RANGE
78. TUNE RANGE
79. TUNE RANGE
80. TUNE RANGE
81. TUNE RANGE
82. TUNE RANGE
83. TUNE RANGE
84. TUNE RANGE
85. TUNE RANGE
86. TUNE RANGE
87. TUNE RANGE
88. TUNE RANGE
89. TUNE RANGE
90. TUNE RANGE
91. TUNE RANGE
92. TUNE RANGE
93. TUNE RANGE
94. TUNE RANGE
95. TUNE RANGE
96. TUNE RANGE
97. TUNE RANGE
98. TUNE RANGE
99. TUNE RANGE
100. TUNE RANGE

RESISTORS
1. 10K
2. 10K
3. 10K
4. 10K
5. 10K
6. 10K
7. 10K
8. 10K
9. 10K
10. 10K
11. 10K
12. 10K
13. 10K
14. 10K
15. 10K
16. 10K
17. 10K
18. 10K
19. 10K
20. 10K
21. 10K
22. 10K
23. 10K
24. 10K
25. 10K
26. 10K
27. 10K
28. 10K
29. 10K
30. 10K
31. 10K
32. 10K
33. 10K
34. 10K
35. 10K
36. 10K
37. 10K
38. 10K
39. 10K
40. 10K
41. 10K
42. 10K
43. 10K
44. 10K
45. 10K
46. 10K
47. 10K
48. 10K
49. 10K
50. 10K
51. 10K
52. 10K
53. 10K
54. 10K
55. 10K
56. 10K
57. 10K
58. 10K
59. 10K
60. 10K
61. 10K
62. 10K
63. 10K
64. 10K
65. 10K
66. 10K
67. 10K
68. 10K
69. 10K
70. 10K
71. 10K
72. 10K
73. 10K
74. 10K
75. 10K
76. 10K
77. 10K
78. 10K
79. 10K
80. 10K
81. 10K
82. 10K
83. 10K
84. 10K
85. 10K
86. 10K
87. 10K
88. 10K
89. 10K
90. 10K
91. 10K
92. 10K
93. 10K
94. 10K
95. 10K
96. 10K
97. 10K
98. 10K
99. 10K
100. 10K

CONDENSATORS
1. .01
2. .01
3. .01
4. .01
5. .01
6. .01
7. .01
8. .01
9. .01
10. .01
11. .01
12. .01
13. .01
14. .01
15. .01
16. .01
17. .01
18. .01
19. .01
20. .01
21. .01
22. .01
23. .01
24. .01
25. .01
26. .01
27. .01
28. .01
29. .01
30. .01
31. .01
32. .01
33. .01
34. .01
35. .01
36. .01
37. .01
38. .01
39. .01
40. .01
41. .01
42. .01
43. .01
44. .01
45. .01
46. .01
47. .01
48. .01
49. .01
50. .01
51. .01
52. .01
53. .01
54. .01
55. .01
56. .01
57. .01
58. .01
59. .01
60. .01
61. .01
62. .01
63. .01
64. .01
65. .01
66. .01
67. .01
68. .01
69. .01
70. .01
71. .01
72. .01
73. .01
74. .01
75. .01
76. .01
77. .01
78. .01
79. .01
80. .01
81. .01
82. .01
83. .01
84. .01
85. .01
86. .01
87. .01
88. .01
89. .01
90. .01
91. .01
92. .01
93. .01
94. .01
95. .01
96. .01
97. .01
98. .01
99. .01
100. .01

NOTES
1. SIGNAL VOLTAGE NECESSARY FOR OBTAINING 100W/80 DB OUTPUT POWER (100W).
2. DC VOLTAGE AT NO INPUT SIGNAL.
3. DC CURRENT AT NO INPUT SIGNAL.
4. DC VOLTAGE AT HEAVY OUTPUT POWER.