

*ADDITIONAL*

 **PIONEER**

# *Service Manual*

AM/FM STEREO RECEIVER

# **SX-1080** HG, S, S/G, KC

MODEL SX-1080 COMES IN FIVE VERSIONS DISTINGUISHED AS FOLLOWS:

Type	Voltage	Remarks
KU	120V only	U.S.A. model
KC	120V only	Canada model
HG	220V and 240V (Switchable)	Europe or Oceania model
S	110V, 120V, 220V and 240V (Switchable)	General export model
S/G	110V, 120V, 220V and 240V (Switchable)	U.S. Military model

- This additional service manual is applicable to the SX-1080/HG, S, S/G, KC. Connections, set handling, circuitry, and adjustment are basically the same as SX-1080/KU.
- The parts which are different from the SX-1080/KU are covered in this additional service manual. Please use this manual together with the SX-1080/KU service manual which is previously issued when ordering parts and repair.

## CONTENTS

1. CONTRAST OF MISCELLANEOUS PARTS .....	3
2. SX-1080/HG	
2.1 Miscellaneous Parts List .....	6
2.2 Schematic Diagram .....	7
2.3 Flat Amplifier (GWG-115) .....	9
2.4 Power Amplifier Assembly (AWH-076) .....	12
2.5 Power Supply Assembly (AWR-161) .....	15
2.6 Protection and Surge Killer Assembly (AWM-125) .....	19
2.7 Filter Assembly (AWT-003) .....	22
2.8 Input Terminal Assembly (GWS-138) .....	24
2.9 Power Transistor Connector Assembly (AWX-130) .....	25
2.10 Rear Panel View .....	26
3. SX-1080/S	
3.1 Rear Panel View .....	2.
3.2 Miscellaneous Parts List .....	28
3.3 Schematic Diagram .....	29
3.4 Power Supply Assembly (AWR-162) .....	31
3.5 Filter Assembly (AWT-004) .....	35
4. SX-1080/KC .....	37

## 1. CONTRAST OF MISCELLANEOUS PARTS

**NOTE:**

- Capacitors: in  $\mu F$  unless otherwise noted p:pF
- Resistors: in  $\Omega$ ,  $\frac{1}{4}W$  unless otherwise noted k:k $\Omega$ , M:M $\Omega$

### ASSEMBLIES

Symbol	Description	Part No.				
		KU type	HG type	S type	S/G type	KC
	Flat amplifier assembly	GWG-112	GWG-115	GWG-115	GWG-115	GWG-112
	Terminal assembly (TAPE)	GWS-126	GWS-138	GWS-138	GWS-138	GWS-126
	Filter assembly	AWT-001	AWT-003	AWT-004	AWT-004	AWT-001
	Power amplifier assembly	AWH-071	AWH-076	AWH-071	AWH-071	AWH-076
	Power supply assembly	AWR-152	AWR-161	AWR-162	AWR-162	AWR-167
	Protection and surge killer assembly	AWM-120	AWM-125	AWM-120	AWM-120	AWM-120
	Power transistor connector assembly	AWX-125	AWX-130	AWX-125	AWX-125	AWX-125

### TRANSFORMER

Symbol	Description	Part No.				
		KU type	HG type	S type	S/G type	KC
T4	Power transformer	ATT-448	ATT-465	ATT-476	ATT-477	ATT-461

### SWITCHES

Symbol	Description	Part No.				
		KU type	HG type	S type	S/G type	KC
S22	Lever switch (POWER)	ASK-080	ASA-505	ASK-080	ASK-080	ASK-080
S25	Line voltage selector (2-position)	.....	AKX-037	.....	.....	.....
	Line voltage selector (4-position)	.....	.....	AKR-031	AKR-031	.....
S26	Slide switch (DE-EMPHASIS)	.....	.....	ASH-016	ASH-016	.....

### RESISTORS

Symbol	Description	Part No.				
		KU type	HG type	S type	S/G type	KC
R1	Carbon film 2.2M $\frac{1}{4}W$	RD $\frac{1}{2}$ PS 225J	.....	.....	.....	RD $\frac{1}{2}$ PS 225J
R2	Metal oxide 1.2k 2W	RS2P 122J	.....	.....	.....	RS2P 122J
R3	Metal oxide 1.2k 2W	RS2P 122J	.....	.....	.....	RS2P 122J

CAPACITORS

Symbol	Description	Part No.				
		KU type	HG type	S type	S/G type	KC
C5	Ceramic 0.01 250V	ACG-001	ACG-001	ACG-001	ACG-001	.....
	Ceramic 0.01 125V	.....	.....	.....	.....	ACG-014
C6	Ceramic 0.01 250V	.....	.....	ACG-001	ACG-001	.....
	Ceramic 0.01 125V	ACG-003	.....	.....	.....	ACG-014

FUSES

Symbol	Description	Part No.				
		KU type	HG type	S type	S/G type	KC
FU1	Fuse 10A	AEK-302	.....	.....	AEK-302	AEK-302
	Fuse T5A	.....	AEK-015	.....	.....	.....
	Fuse 5A	.....	.....	AEK-108	.....	.....
FU2	Fuse 1.5A	AEK-104	.....	AEK-104	AEK-104	AEK 4
	Fuse T1.6A	.....	AEK-405	.....	.....	.....
FU3	Fuse 1A	AEK-106	.....	AEK-106	AEK-106	AEK-106
	Fuse T1A	.....	AEK-402	.....	.....	.....
FU4	Fuse 1A	AEK-106	.....	AEK-106	AEK-106	AEK-106
	Fuse T1A	.....	AEK-402	.....	.....	.....
FU5	Fuse 1A	AEK-106	.....	AEK-106	AEK-106	AEK-106
	Fuse T1A	.....	AEK-402	.....	.....	.....
FU6	Fuse 1A	AEK-106	.....	AEK-106	AEK-106	AEK-106
	Fuse T1A	.....	AEK-402	.....	.....	.....

OTHERS

Symbol	Description	Part No.				
		KU type	HG type	S type	S/G type	KC
	Bonnet	AMM-066	AMM-068	AMM-066	AMM-066	AMM-069
	Antenna terminal	AKA-002	AKA-005	AKA-002	AKA-002	AKA-002
	AC socket (OUTLET)	AKP-005	.....	AKP-022	AKP-022	AKP-005
	AC socket (INLET)	.....	AKP-008	.....	.....	.....
	AC power cord	ADG-013	.....	ADG-013	ADG-015	ADG-013
	Capacitor cover (large)	AEC-279	.....	.....	.....	.....
	Capacitor cover (small)	AEC-294	.....	.....	.....	.....
	Capacitor cover	.....	AEC-099	AEC-099	AEC-099	AEC-365
	Operating instructions (English)	ARB-239	ARB-245	ARB-246	ARB-246	ARB-239
	Operating instructions (German/French)	.....	ARD-113	.....	.....	.....

FURNISHED PARTS

Symbol	Description	Part No.				
		KU type	HG type	S type	S/G type	KC
	Fuse 10A Fuse 5A	.....	.....	AEK-302 AEK-108	AEK-302 AEK-108	.....

PACKING MATERIAL

Symbol	Description	Part No.				
		KU type	HG type	S type	S/G type	KC
	Packing case Inner case Spacer	AHD-505 AHC-042 .....	AHD-513 AHC-048 .....	AHD-505 AHC-042 .....	AHD-510 AHC-045 AHC-089	AHD-525 AHC-042 .....

## 2. SX-1080/HG

### 2.1 MISCELLANEOUS PARTS LIST

**NOTE:**

- Capacitors: in  $\mu F$  unless otherwise noted p:pF
- Resistors: in  $\Omega$ ,  $\frac{1}{2}W$  unless otherwise noted k:k $\Omega$ , M:M $\Omega$

#### SWITCHES

Symbol	Part No.	Description
S22	ASA-505	Lever switch (POWER)
S25	AKX-037	Plug in selector (LINE VOLTAGE SELECTOR)

#### TRANSFORMERS

Symbol	Part No.	Description
T1	T22-025	Balun transformer
T2	ATB-505	Bar antenna
T3	T24-030	Ferry inductor
T4	ATT-465	Power transformer

#### CAPACITORS

Symbol	Part No.	Description
C1	CKDBC 104Z 25	Ceramic 0.1 25V
C2	CKDBC 104Z 25	Ceramic 0.1 25V
C3	CKDBC 104Z 25	Ceramic 0.1 25V
C4	CKDBC 104Z 25	Ceramic 0.1 25V
C5	ACG-001	Ceramic 0.01 250V
C7	ACH-085	Electrolytic 22000 71V
C8	ACH-085	Electrolytic 22000 71V
C9	CEA 010P 80	Electrolytic 1 80V

#### RESISTORS

Symbol	Part No.	Description
R2	RS2P 122J	Metal oxide 1.2k 2W
R3	RS2P 122J	Metal oxide 1.2k 2W

#### SEMICONDUCTORS

Symbol	Part No.	Description
Q1	2SD737/A/-B or C	Transistor
Q2	2SD737/A/-B or C	Transistor
Q3	2SB701/A/-B or C	Transistor
Q4	2SB701/A/-B or C	Transistor
Q5	2SD737/A/-B or C	Transistor
Q6	2SD737/A/-B or C	Transistor
Q7	2SB701/A/-B or C	Transistor
Q8	2SB701/A/-B or C	Transistor

#### LAMPS AND FUSES

Symbol	Part No.	Description
PL1	AEL-069	Pilot lamp with lead wire (FM)
PL2	AEL-067	Pilot lamp with lead wire (AM)
PL3	AEL-067	Pilot lamp with lead wire (AUX)
PL4	AEL-067	Pilot lamp with lead wire (PHONO)
PL5	AEL-069	Pilot lamp with lead wire (STEREO IND.)

Symbol	Part No.	Description
PL7	AEL-029	Wedge type pilot lamp (Dial s
PL8	AEL-029	Wedge type pilot lamp (Dial s
PL9	AEL-029	Wedge type pilot lamp (Dial s
FU1	AEK-015	Fuse T5A
FU2	AEK-405	Fuse T1.6A
FU3	AEK-402	Fuse T1A
FU4	AEK-402	Fuse T1A
FU5	AEK-402	Fuse T1A
FU6	AEK-402	Fuse T1A

#### OTHERS

Symbol	Part No.	Description
	*AWE-092	Tuner assembly
	*GWS-125	Function and equalizer assemb
	*GWS-127	Input terminal assemb (PHONO, AUX)
	GWG-115	Flat amplifier assembly
	GWS-138	Input terminal assembly (TAP)
	*AWG-056	Tone control assembly
	AWT-003	Filter assembly
	*GWS-124	Speaker switch assembly
	*GWS-128	Terminal assembly (SPEAKER)
	AWH-076	Power amplifier assembly
	AWR-161	Power supply assembly
	AWM-125	Protection and surge killer assembly
	AWX-130	Power transistor connector assembly
	AKA-005	Antenna terminal
	AMM-068	Bonnet
	AKP-008	Socket (INLET)

**NOTE:**

\* marked assemblies are same as the SX-1080/KU.

#### List of Changed Parts for Factory Modification

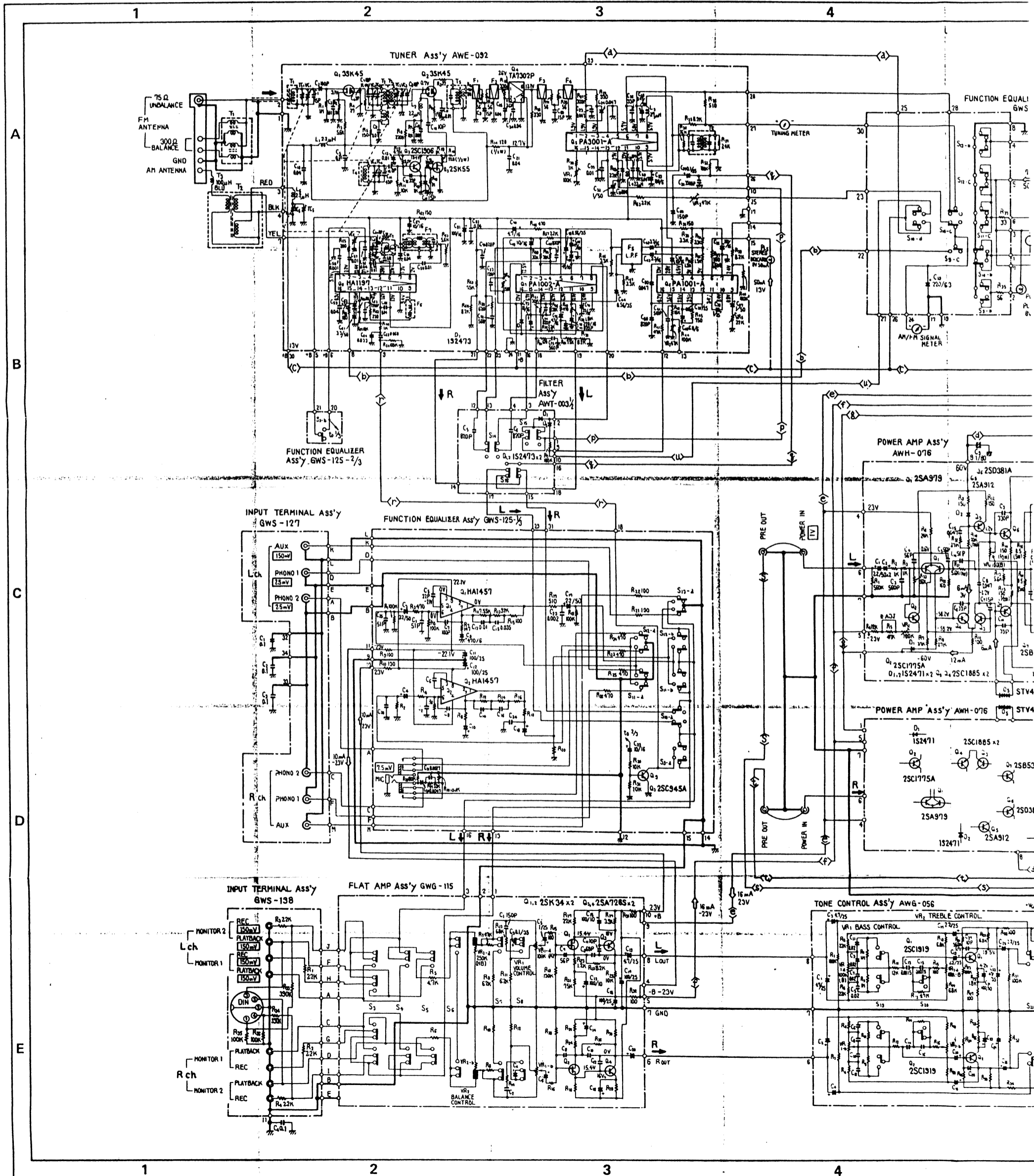
List of changed parts information will be furnished whenever necessary and you are requested to amend part number in this parts list.

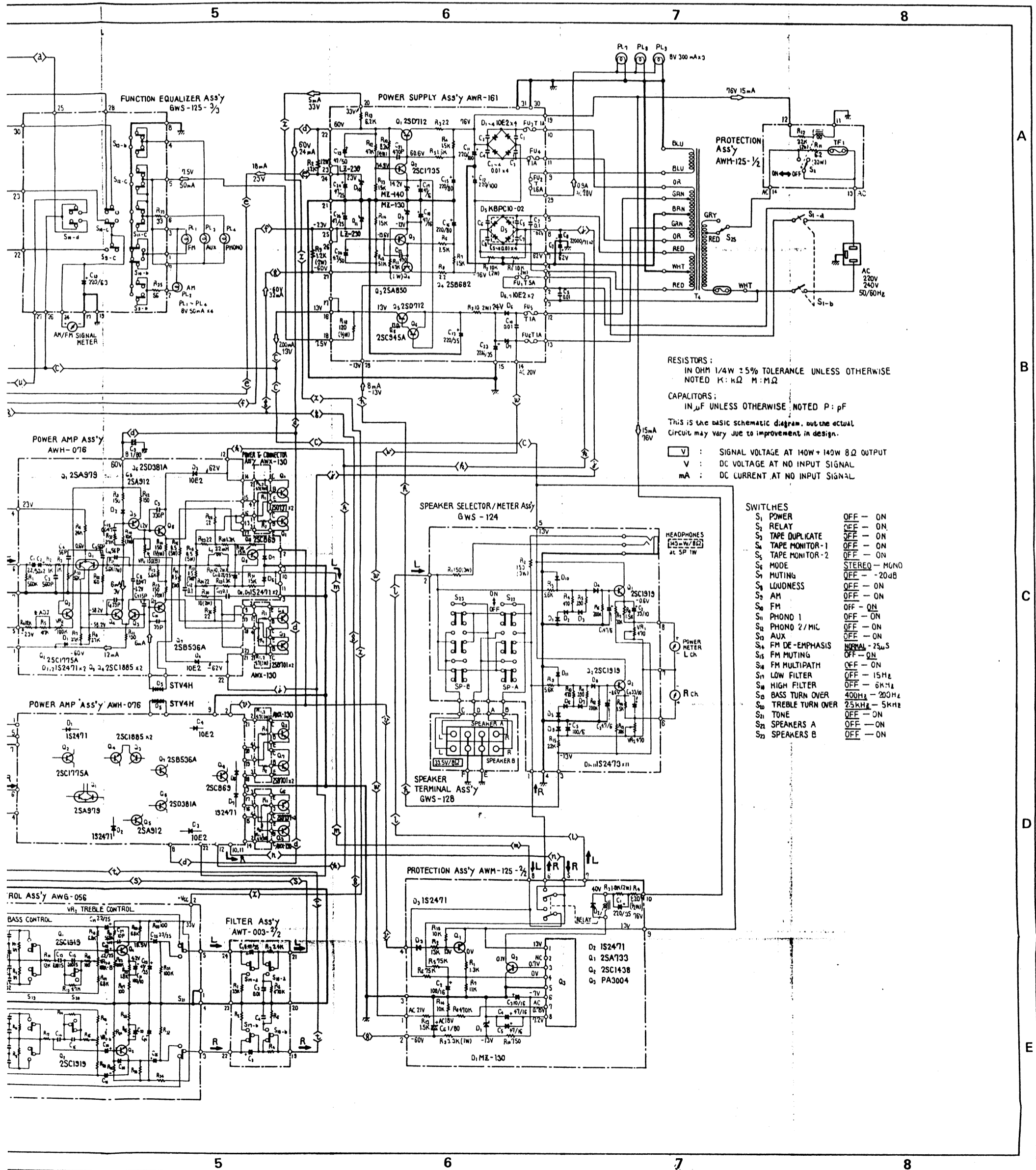
Symbol	Part No.	Description

AM / FM STEREO RECEIVER

# SX-1080

HG





RESISTORS:  
IN OHM 1/4W ±5% TOLERANCE UNLESS OTHERWISE NOTED K: kΩ M: MΩ

CAPACITORS:  
IN μF UNLESS OTHERWISE NOTED P: pF

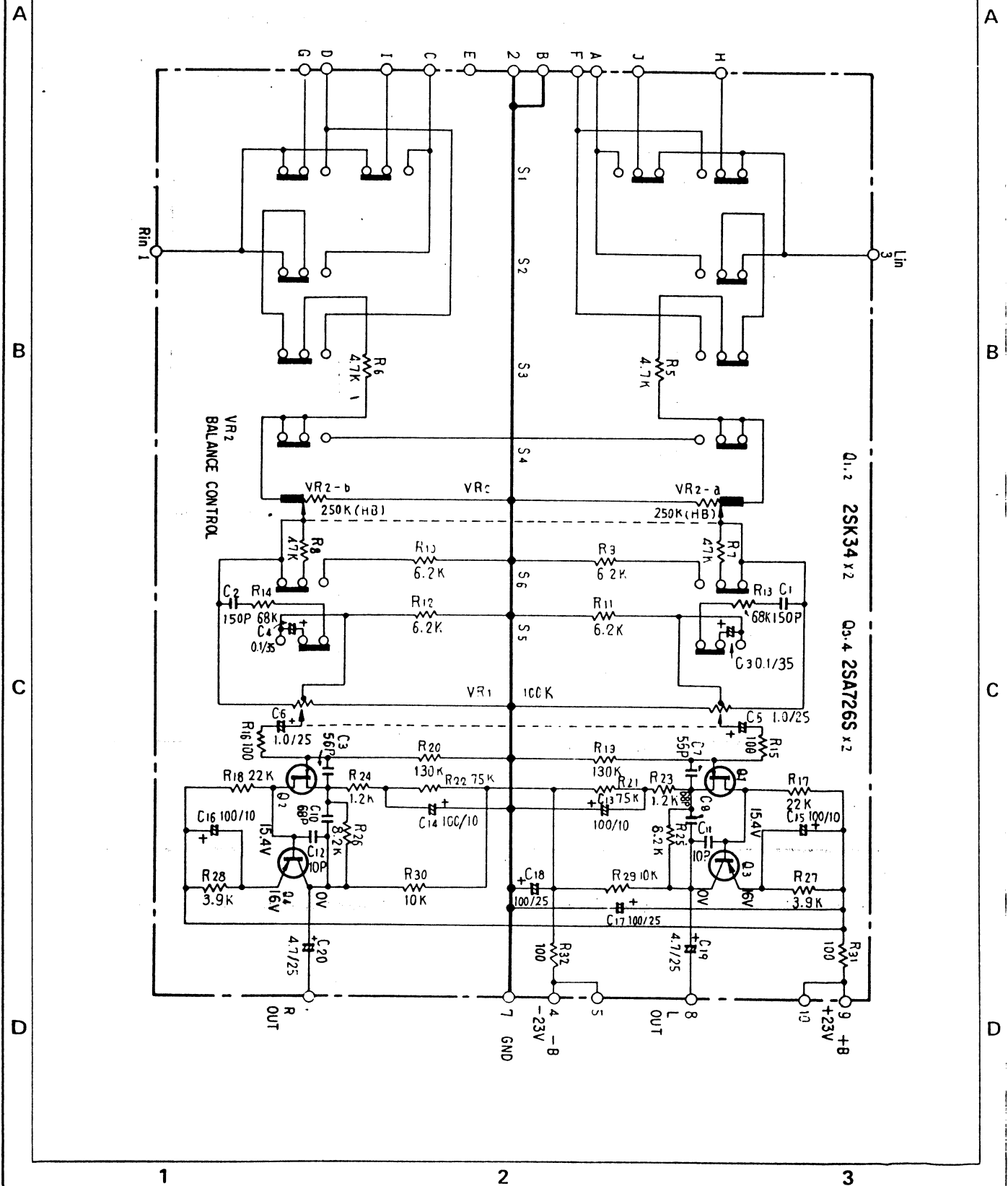
THIS IS THE BASIC SCHEMATIC DIAGRAM, BUT THE ACTUAL CIRCUIT MAY VARY DUE TO IMPROVEMENT IN DESIGN.

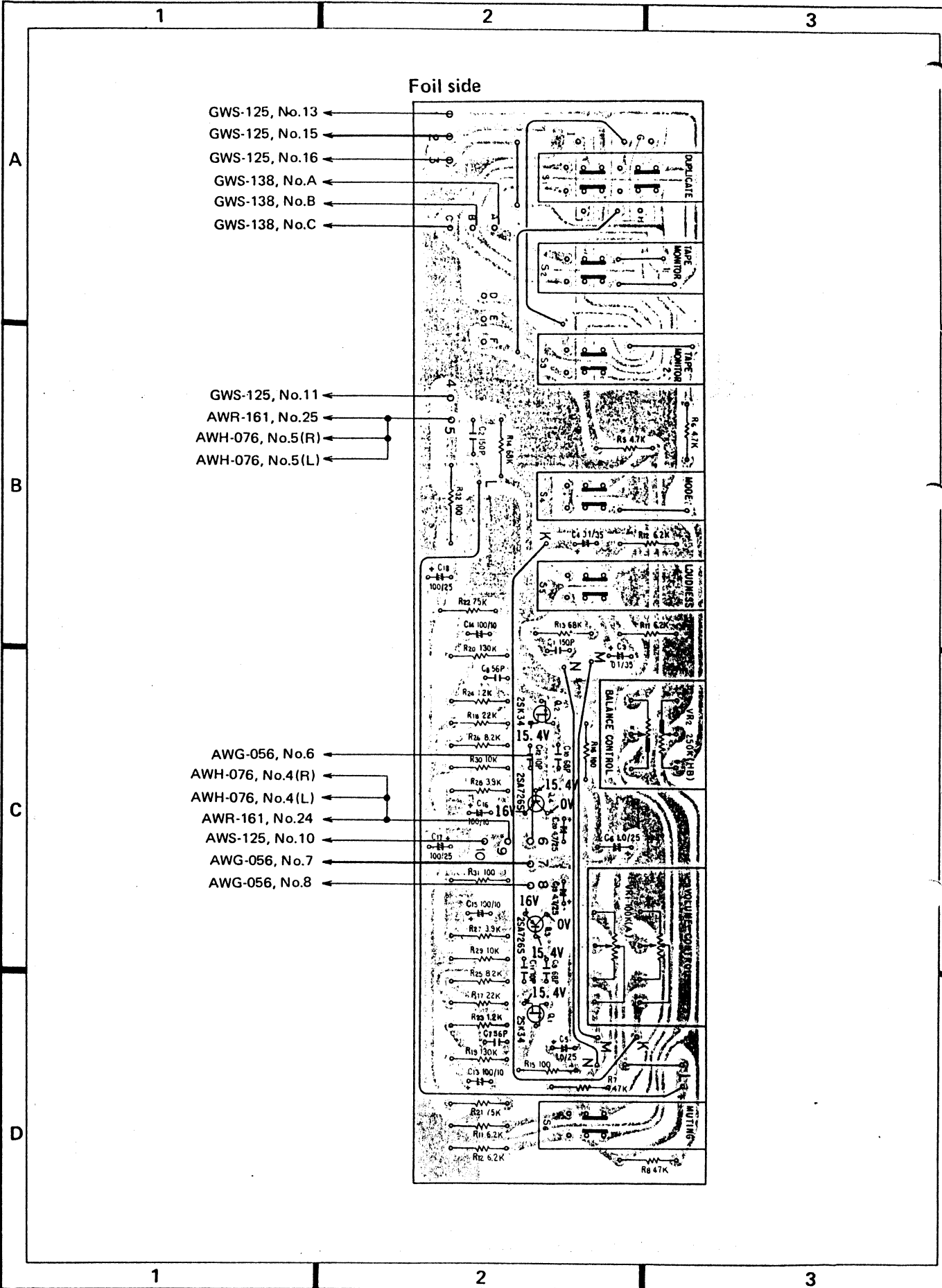
V : SIGNAL VOLTAGE AT 140W + 140W 8Ω OUTPUT  
V : DC VOLTAGE AT NO INPUT SIGNAL  
mA : DC CURRENT AT NO INPUT SIGNAL

- SWITCHES
- S<sub>1</sub> POWER OFF - ON
  - S<sub>2</sub> RELAY OFF - ON
  - S<sub>3</sub> TAPE DUPLICATE OFF - ON
  - S<sub>4</sub> TAPE MONITOR-1 OFF - ON
  - S<sub>5</sub> TAPE MONITOR-2 OFF - ON
  - S<sub>6</sub> MODE STEREO - MONO
  - S<sub>7</sub> MUTING OFF - -20dB
  - S<sub>8</sub> LOUDNESS OFF - ON
  - S<sub>9</sub> AM OFF - ON
  - S<sub>10</sub> FM OFF - ON
  - S<sub>11</sub> PHONO 1 OFF - ON
  - S<sub>12</sub> PHONO 2 / MIC OFF - ON
  - S<sub>13</sub> AUX OFF - ON
  - S<sub>14</sub> FM DE-EMPHASIS NORMAL - 25μS
  - S<sub>15</sub> FM MUTING OFF - ON
  - S<sub>16</sub> FM MULTIPATH OFF - ON
  - S<sub>17</sub> LOW FILTER OFF - 15Hz
  - S<sub>18</sub> HIGH FILTER OFF - 6kHz
  - S<sub>19</sub> BASS TURN OVER 400Hz - 200Hz
  - S<sub>20</sub> TREBLE TURN OVER 2.5kHz - 5kHz
  - S<sub>21</sub> TONE OFF - ON
  - S<sub>22</sub> SPEAKERS A OFF - ON
  - S<sub>23</sub> SPEAKERS B OFF - ON

- D<sub>1</sub> IS2471
- Q<sub>1</sub> 2SA733
- Q<sub>2</sub> 2SC1438
- Q<sub>3</sub> PA3004

2.3 FLAT AMPLIFIER (GWG-115)







Parts List of Flat Amplifier Assembly (GWG-115)

SWITCHES

Symbol	Part No.	Description
S1	ASK-145	Lever switch (DUPLICATE)
S2	ASK-144	Lever switch (TAPE MONITOR 1)
S3	ASK-144	Lever switch (TAPE MONITOR 2)
S4	ASK-144	Lever switch (MODE)
S5	ASK-144	Lever switch (LOUDNESS)
S6	ASK-144	Lever switch (MUTING)

Symbol	Part No.	Description
R15	RD½PS 101J	Carbon film 100
R16	RD½PS 101J	Carbon film 100
R17	RD½PS 223J	Carbon film 22k
R18	RD½PS 223J	Carbon film 22k
R19	RD½PS 134J	Carbon film 130k
R20	RD½PS 134J	Carbon film 130k
R21	RD½PS 753J	Carbon film 75k
R22	RD½PS 753J	Carbon film 75k
R23	RD½PS 122J	Carbon film 1.2k
R24	RD½PS 122J	Carbon film 1.2k
R25	RD½PS 822J	Carbon film 8.2k
R26	RD½PS 822J	Carbon film 8.2k
R27	RD½PS 392J	Carbon film 3.9k
R28	RD½PS 392J	Carbon film 3.9k
R29	RD½PS 103J	Carbon film 10k
R30	RD½PS 103J	Carbon film 10k
R31	RD½PS 101J	Carbon film 100
R32	RD½PS 101J	Carbon film 100

CAPACITORS

Symbol	Part No.	Description
C1	CCDSL 151K 50	Ceramic 150p 50V
C2	CCDSL 151K 50	Ceramic 150p 50V
C3	CSZA 0R1M 35	Electrolytic 0.01 35V
C4	CSZA 0R1M 35	Electrolytic 0.01 35V
C5	CSZA 010M 25	Electrolytic 1 25V
C6	CSZA 010M 25	Electrolytic 1 25V
C7	CCDSL 560K 50	Ceramic 56p 50V
C8	CCDSL 560K 50	Ceramic 56p 50V
C9	CCDSL 680K 50	Ceramic 68p 50V
C10	CCDSL 680K 50	Ceramic 68p 50V
C11	CCDSL 100F 50	Ceramic 10p 50V
C12	CCDSL 100F 50	Ceramic 10p 50V
C13	CEANL 101P 10	Electrolytic 100 10V
C14	CEANL 101P 10	Electrolytic 100 10V
C15	CEANL 101P 10	Electrolytic 100 10V
C16	CEANL 101P 10	Electrolytic 100 10V
C17	CEA 101P 25	Electrolytic 100 25V
C18	CEA 101P 25	Electrolytic 100 25V
C19	CEANL 4R7P 25	Electrolytic 4.7 25V
C20	CEANL 4R7P 25	Electrolytic 4.7 25V

SEMICONDUCTORS

Symbol	Part No.	Description
Q1	2SK34-C or D (2SK68A-L or M)	FET
Q2	2SK34-C or D (2SK68A-L or M)	FET
Q3	2SA726S-F or G (2SA872A-D or E)	Transistor
Q4	2SA726S-F or G (2SA872A-D or E)	Transistor

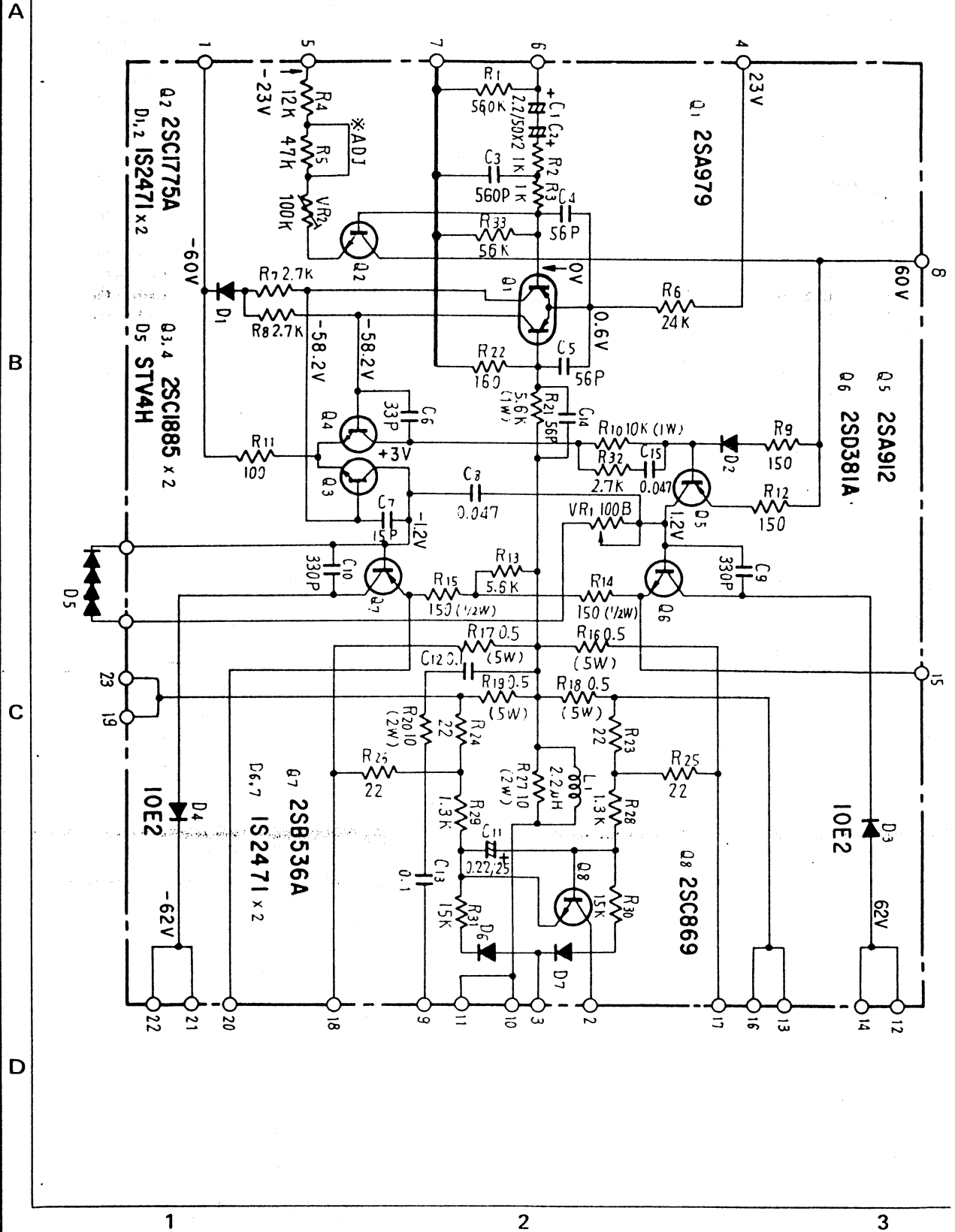
RESISTORS

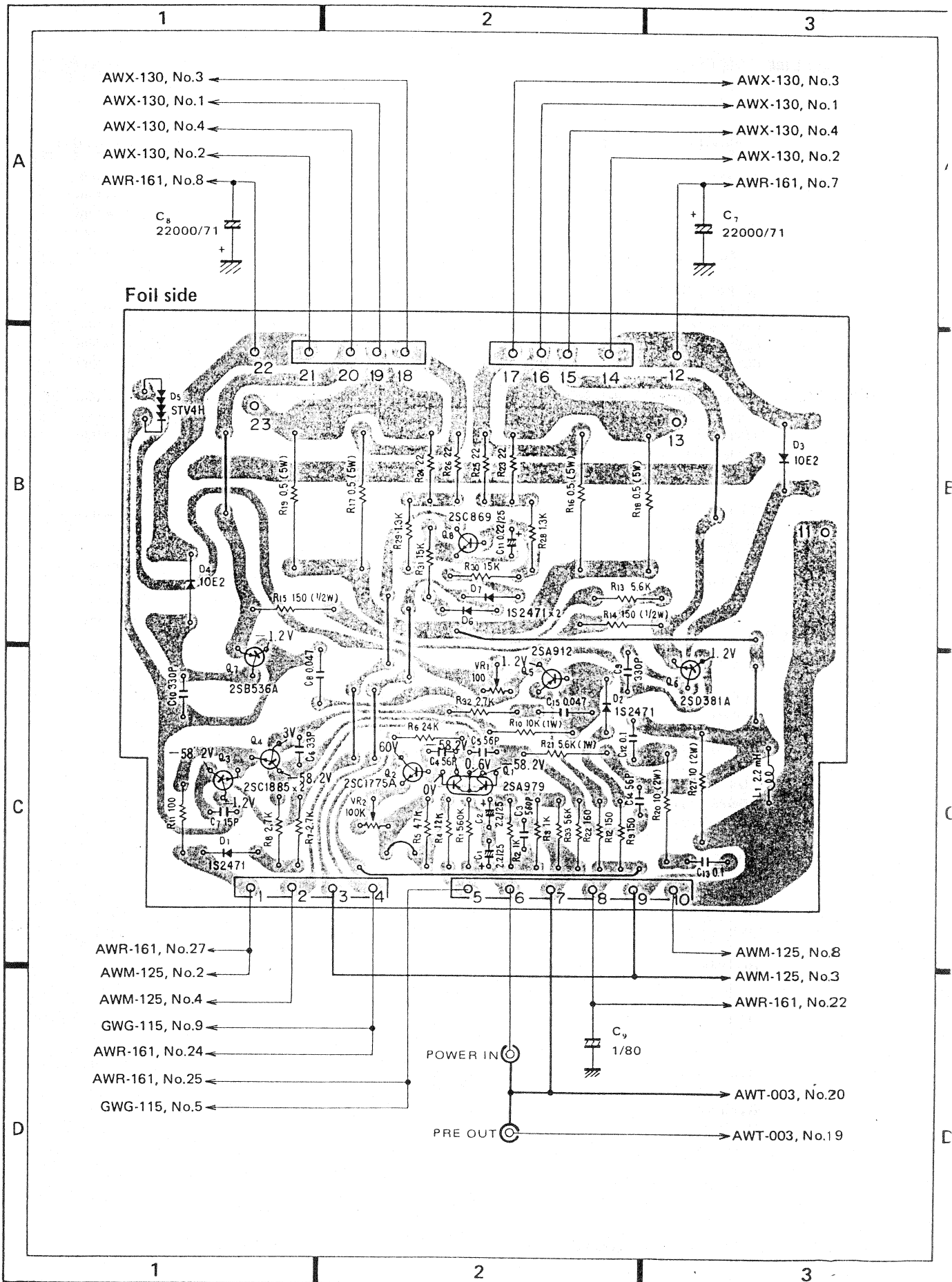
Symbol	Part No.	Description
VR1	ACV-162	Variable resistor 100k-A (VOLUME)
VR2	ACV-190	Variable resistor 250k-HB (BALANCE)
R5	RD½PS 472J	Carbon film 4.7k
R6	RD½PS 472J	Carbon film 4.7k
R7	RD½PS 473J	Carbon film 47k
R8	RD½PS 473J	Carbon film 47k
R9	RD½PS 622J	Carbon film 6.2k
R10	RD½PS 622J	Carbon film 6.2k
R11	RD½PS 622J	Carbon film 6.2k
R12	RD½PS 622J	Carbon film 6.2k
R13	RD½PS 683J	Carbon film 68k
R14	RD½PS 683J	Carbon film 68k

List of Changed Parts for Factory Modification

Symbol	Part No.	Description

## 2.4 POWER AMPLIFIER ASSEMBLY (AWH-076)





Parts List

COIL

Symbol	Part No.	Description
L1	T63-009	AF choke coil

CAPACITORS

Symbol	Part No.	Description
C1	CEANL 2R2P 50	Electrolytic 2.2 50V
C2	CEANL 2R2P 50	Electrolytic 2.2 50V
C3	CKDYB 561K 50	Ceramic 560p 50V
C4	CCDSL 560K 50	Ceramic 56p 50V
C5	CCDSL 560 50	Ceramic 56p 50V
C6	CCDSL 330K 500	Ceramic 33p 500V
C7	CCDSL 150K 500	Ceramic 15p 500V
C8	ACG-009	Ceramic 0.047 150V
C9	CCDSL 331K 500	Ceramic 330p 500V
C10	CCDSL 331K 500	Ceramic 330p 500V
C11	CSSA R22M 25	Electrolytic 0.22 25V
C12	CQMA 104K 50	Mylar 0.1 50V
C13	CQMA 104K 50	Mylar 0.1 50V
C14	CCDSL 560K 50	Ceramic 56p 50V
C15	ACG-009	Ceramic 0.047 150V

RESISTORS

Symbol	Part No.	Description
VR1	ACP-019	Semi-fixed 100-B
VR2	ACP-066	Semi-fixed 100k
R1	RD½PS 564J	Carbon film 560k
R2	RD½PS 102J	Carbon film 1k
R3	RD½PS 102J	Carbon film 1k
R4	RD½PS 123J	Carbon film 12k
R5	RD½PS 473J	Carbon film 47k
R6	RD½PS 243J	Carbon film 24k
R7	RD½PSF 272J	Carbon film 2.7k
R8	RD½PSF 272J	Carbon film 2.7k
R9	RD½PSF 151J	Carbon film 150
R10	RS1P 103J	Metal oxide 10k 1W
R11	RD½PSF 101J	Carbon film 100
R12	RD½PSF 151J	Carbon film 150
R13	RD½PSF 562J	Carbon film 5.6k
R14	RD½PSF 151J	Carbon film 150 ½W
R15	RD½PSF 151J	Carbon film 150 ½W
R16	RT5B 0R5K	Wire wound 0.5 5W
R17	RT5B 0R5K	Wire wound 0.5 5W
R18	RT5B 0R5K	Wire wound 0.5 5W
R19	RT5B 0R5K	Wire wound 0.5 5W
R20	RS2P 100J	Metal oxide 10 2W

Symbol	Part No.	Description
R21	RS1P 562J	Metal oxide 5.6k 1W
R22	RD½PSF 161J	Carbon film 160
R23	RD½PSF 220J	Carbon film 22
R24	RD½PSF 220J	Carbon film 22
R25	RD½PSF 220J	Carbon film 22
R26	RD½PSF 220J	Carbon film 22
R27	RS2P 100J	Metal oxide 10 2W
R28	RD½PSF 132J	Carbon film 1.3k
R29	RD½PSF 132J	Carbon film 1.3k
R30	RD½PS 153J	Carbon film 15k
R31	RD½PS 153J	Carbon film 15k
R32	RD½PS 272J	Carbon film 2.7k
R33	RD½PS 563J	Carbon film 56k

SEMICONDUCTORS

Symbol	Part No.	Description
Q1	2SA979-F	Transistor
Q2	2SC1775A-E	Transistor
Q3	2SC1885-Q or R	Transistor
Q4	2SC1885-Q or R	Transistor
Q5	2SA912-Q or R	Transistor
Q6	2SD381A-M or L	Transistor
Q7	2SB536A-M or L	Transistor
Q8	2SC869-D or C	Transistor
D1	1S2471	Diode
D2	1S2471	Diode
D3	10E2 or SIB01-02	Diode
D4	10E2 or SIB01-02	Diode
D5	STV4H	Varistor
D6	1S2471	Diode
D7	1S2471	Diode

OTHER

Symbol	Part No.	Description
	AEC-410	Transistor cover

List of Changed Parts for Factory Modification

Symbol	Part No.	Description

## 2.5 POWER SUPPLY ASSEMBLY (AWR-161)

### Parts List

#### CAPACITORS

Symbol	Part No.	Description		
C1	ACG-004	Ceramic	0.01	150V
C2	ACG-004	Ceramic	0.01	150V
C3	ACG-004	Ceramic	0.01	150V
C4	ACG-004	Ceramic	0.01	150V
C5	ACG-004	Ceramic	0.01	150V
C6	ACG-004	Ceramic	0.01	150V
C7	ACG-004	Ceramic	0.01	150V
C8	ACG-004	Ceramic	0.01	150V
C9	CQMA 104K 250	Mylar	0.1	250V
C10	ACG-004	Ceramic	0.01	150V
C11	CEA 221P 100	Electrolytic	220	100V
C12	CEA 221P 100	Electrolytic	220	100V
C13	CEA 221P 35	Electrolytic	220	35V
C15	CEA 221P 80	Electrolytic	220	80V
C16	CEA 221P 80	Electrolytic	220	80V
C17	CEA 470P 16	Electrolytic	47	16V
C18	CEA 470P 16	Electrolytic	47	16V
C19	CEA 4R7P 50	Electrolytic	4.7	50V
C20	CEA 4R7P 50	Electrolytic	4.7	50V
C21	CKDYB 471K 50	Ceramic	470p	50V
C22	CKDYB 471K 50	Ceramic	470p	50V
C23	ACH-060	Electrolytic	2200	35V
C24	CEA 470P 25	Electrolytic	47	25V
C25	CEA 470P 25	Electrolytic	47	25V

#### RESISTORS

Symbol	Part No.	Description		
R1	RS2P 103J	Metal oxide	10k	2W
R2	RS2P 103J	Metal oxide	10k	2W
R3	RD $\frac{1}{2}$ PSF 2R2J	Carbon film	2.2	
R4	RD $\frac{1}{2}$ PSF 152J	Carbon film	1.5k	
R5	RD $\frac{1}{2}$ PSF 152J	Carbon film	1.5k	
R6	RD $\frac{1}{2}$ PSF 152J	Carbon film	1.5k	
R7	RD $\frac{1}{2}$ PSF 152J	Carbon film	1.5k	
R8	RD $\frac{1}{2}$ PSF 2R2J	Carbon film	2.2	
R9	RS2P 100J	Metal oxide	10	2W
R10	RD $\frac{1}{2}$ PS 822J	Carbon film	8.2k	$\frac{1}{2}$ W
R11	RS1P 472J	Metal oxide	4.7k	1W
R12	RD $\frac{1}{2}$ PS 473J	Carbon film	47k	
R13	RD $\frac{1}{2}$ PS 153J	Carbon film	15k	
R14	RD $\frac{1}{2}$ PS 153J	Carbon film	15k	
R15	RD $\frac{1}{2}$ PS 513J	Carbon film	51k	
R16				
R17				
R18	RD $\frac{1}{2}$ PS 121J	Carbon film	120	$\frac{1}{2}$ W
R19	RD $\frac{1}{2}$ PS 622J	Carbon film	6.2k	

#### SEMICONDUCTORS

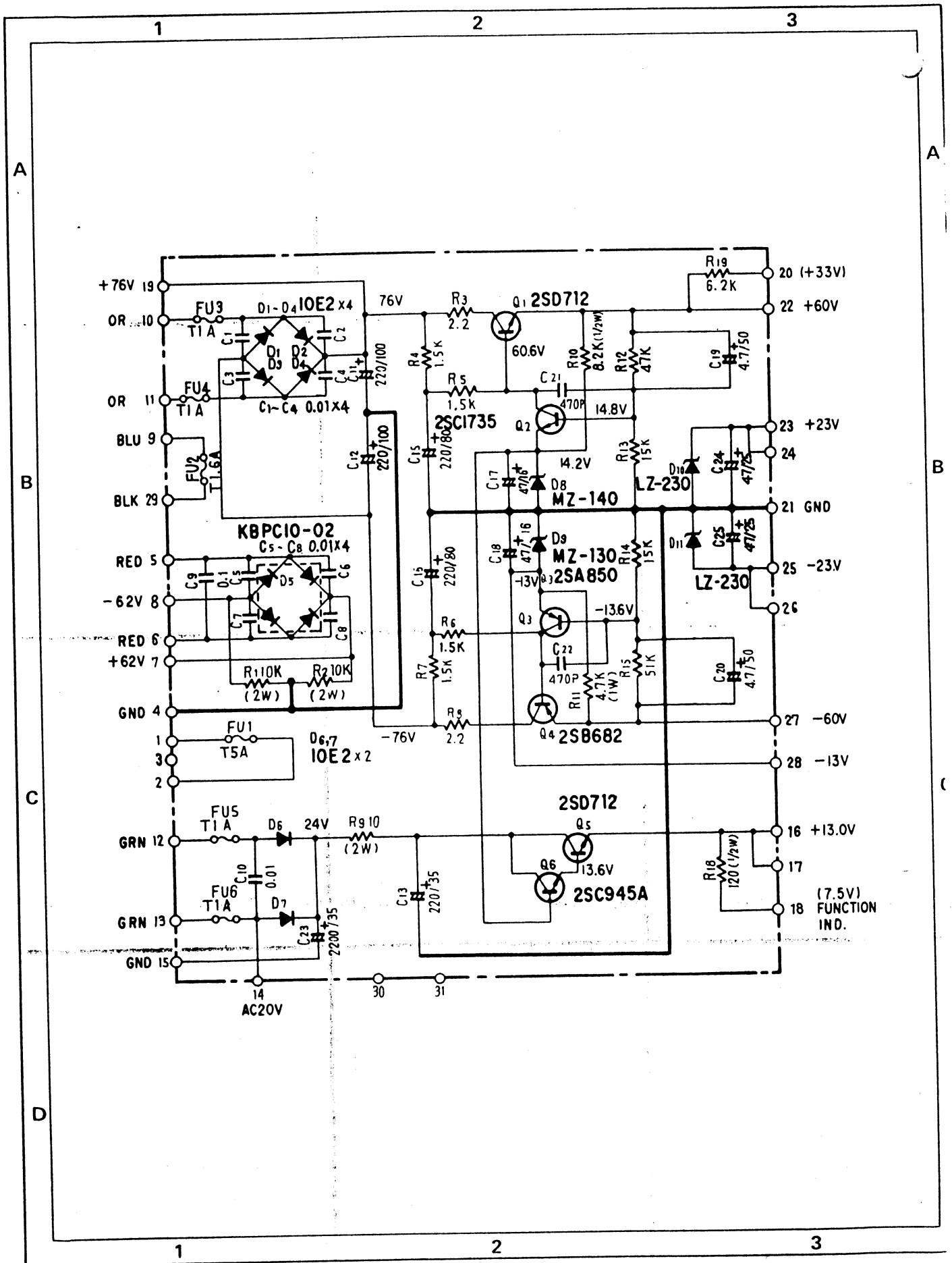
Symbol	Part No.	Description
Q1	2SD712-D or C	Transistor
Q2	2SC1735-D or C	Transistor
	(2S1384-Q or R)	
Q3	2SA850-D or C	Transistor
	(2SA684A-Q or R)	
Q4	2SB682-D or C	Transistor
Q5	2SC712-D or C	Transistor
Q6	2SC945A-Q or R	Transistor
	(2SC1914-F)	
D1	10E2 or SIB01-02	Diode
D2	10E2 or SIB01-02	Diode
D3	10E2 or SIB01-02	Diode
D4	10E2 or SIB01-02	Diode
D5	KBPC10-02	Diode
	(S15VB20)	
D6	10E2 or SIB01-02	Diode
D7	10E2 or SIB01-02	Diode
D8	MZ-140 or WZ-140	Zener diode
D9	LZ-230 or WZ-130	Zener diode
D10	LZ-230	Zener diode
D11	LZ-230	Zener diode

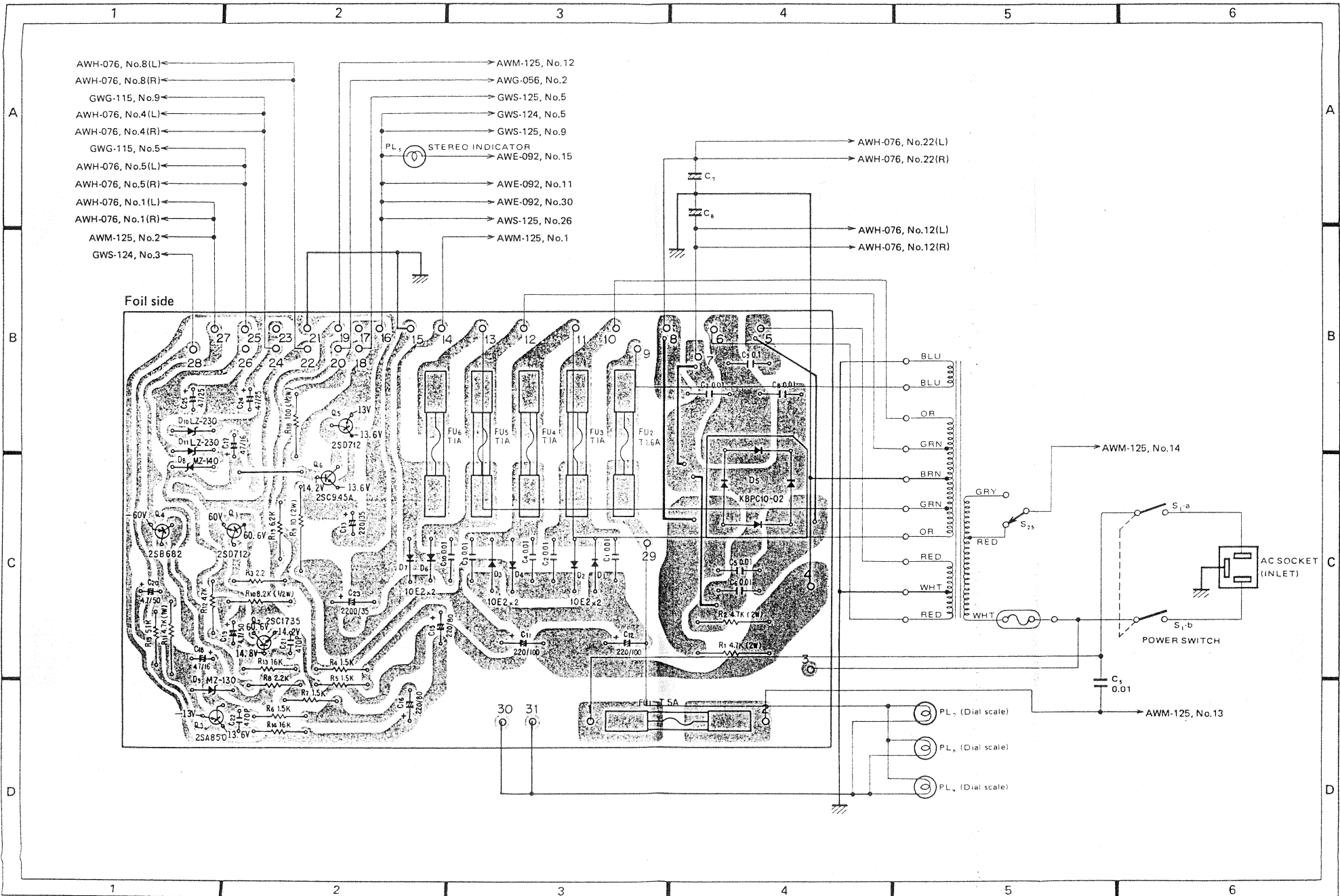
#### OTHERS

Symbol	Part No.	Description
	ANH-395	Heat sink
	ANH-203	Heat sink
	AKR-010	Fuse holder

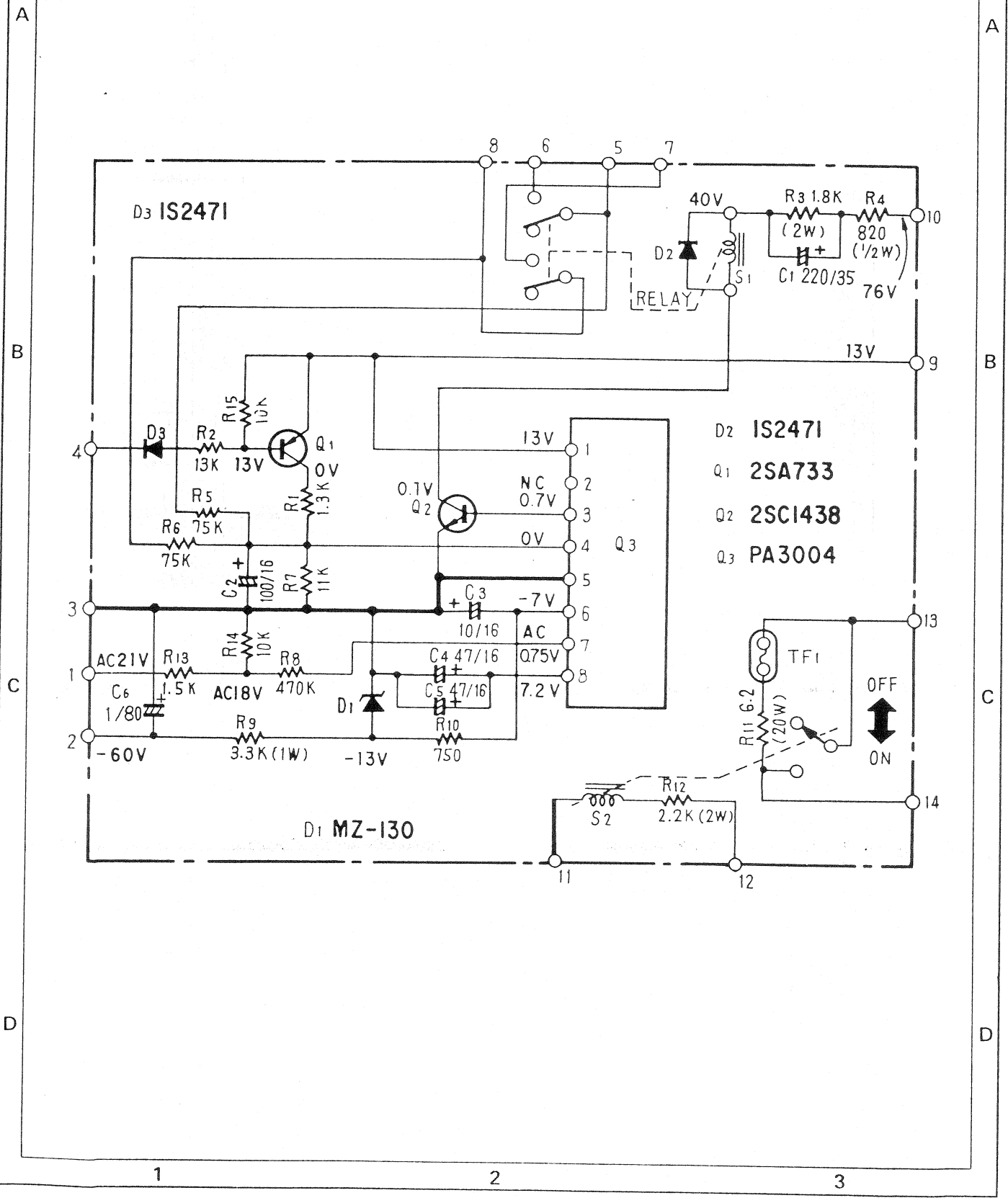
#### List of Changed Parts for Factory Modification

Symbol	Part No.	Description

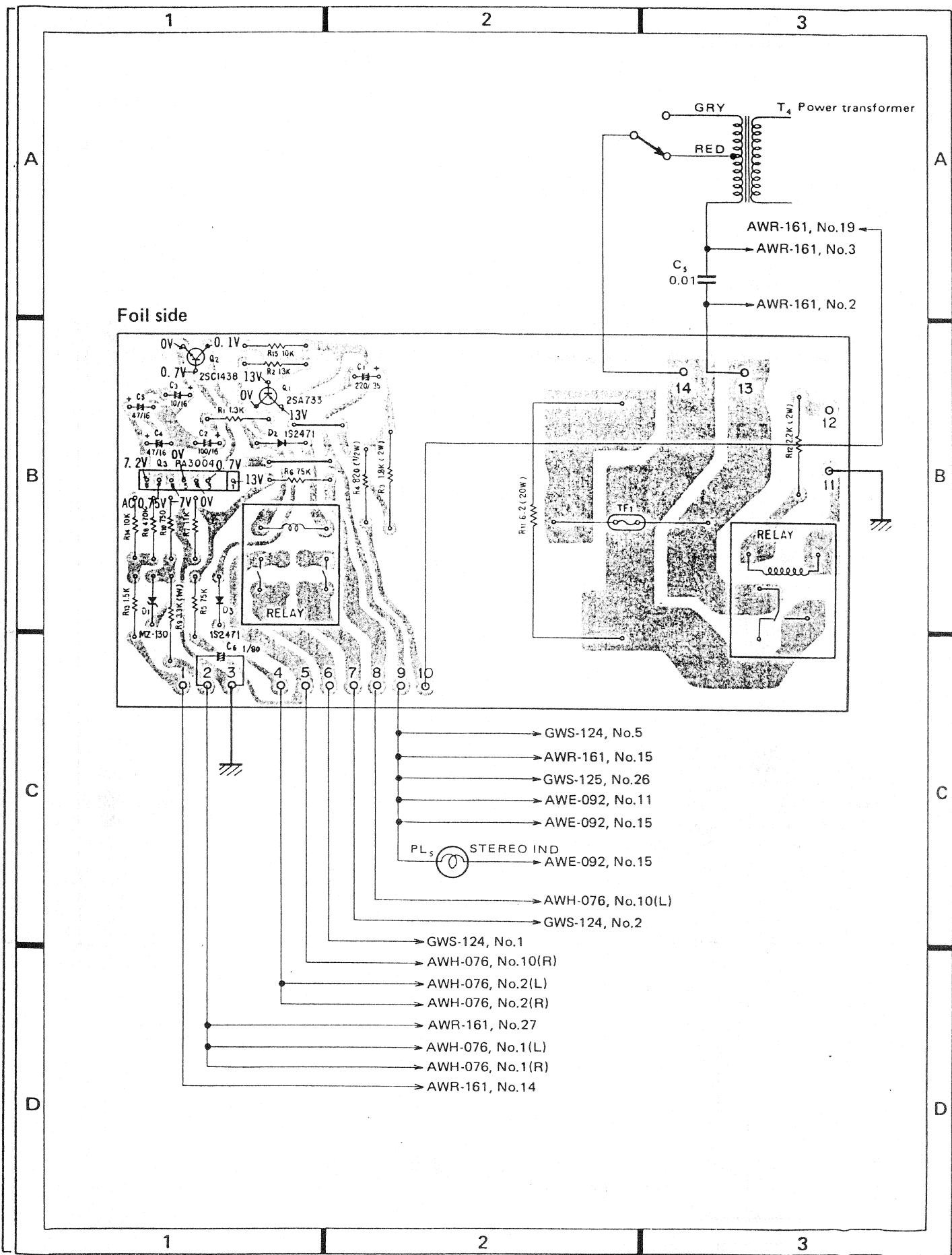




2.6 PROTECTION AND SURGE KILLER ASSEMBLY (AWM-125)







SX-1080/HG

Parts List

List of Changed Parts for Factory Modification

CAPACITORS

Symbol	Part No.	Description		
C1	CEA 221P 35	Electrolytic	220	35V
C2	CEA 101P 16	Electrolytic	100	16V
C3	CEA 100P 16	Electrolytic	10	16V
C4	CEA 470P 16	Electrolytic	47	16V
C5	CEA 470P 16	Electrolytic	47	16V
C6	CEA 010P 80	Electrolytic	1	80V

RESISTORS

Symbol	Part No.	Description		
R1	RS½PS 132J	Metal oxide	13k	
R2	RS½PS 133J	Metal oxide	13k	
R3	RS2P 182J	Metal oxide	1.8k	2W
R4	RS½PSF 821J	Metal oxide	820	½W
R5	RS½PS 753J	Metal oxide	75k	
R6	RS½PS 753J	Metal oxide	75k	
R7	RS½PS 113J	Metal oxide	11k	
R8	RS½PS 474J	Metal oxide	470k	
R9	RS1P 332J	Metal oxide	3.3k	1W
R10	RS½PS 751J	Metal oxide	750	
R11	ACN-021	Cement	6.2	20W
R12	RS2P 222J	Metal oxide	2.2k	
R13	RS½PS 152J	Metal oxide	1.5k	
R14	RS½PS 103J	Metal oxide	10k	
R15	RS½PS 103J	Metal oxide	10k	

SEMICONDUCTORS

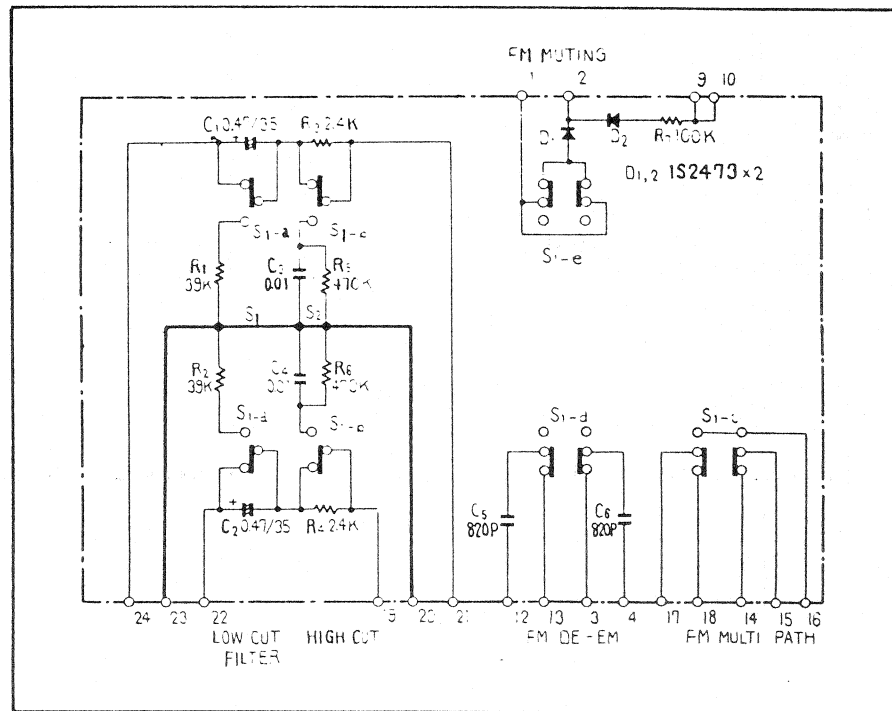
Symbol	Part No.	Description
Q1	2SA733-Q or R (2SA904A-E or F)	Transistor
Q2	2SC1438-V or B (2SC1915-E or F)	Transistor
Q3	PA3004	IC
D1	MZ-130 or WZ-130	Zener diode
D2	1S2471	Diode
D3	1S2471	Diode

OTHERS

Symbol	Part No.	Description
	ASR-048	Relay
	ASR-046	Relay
	AEX-001	Temperature-sensitive fuse

Symbol	Part No.	Description

## 2.7 FILTER ASSEMBLY (AWT-003)



### Parts List

#### SWITCH

Symbol	Part No.	Description
S1	ASG-128	Push switch

#### CAPACITORS

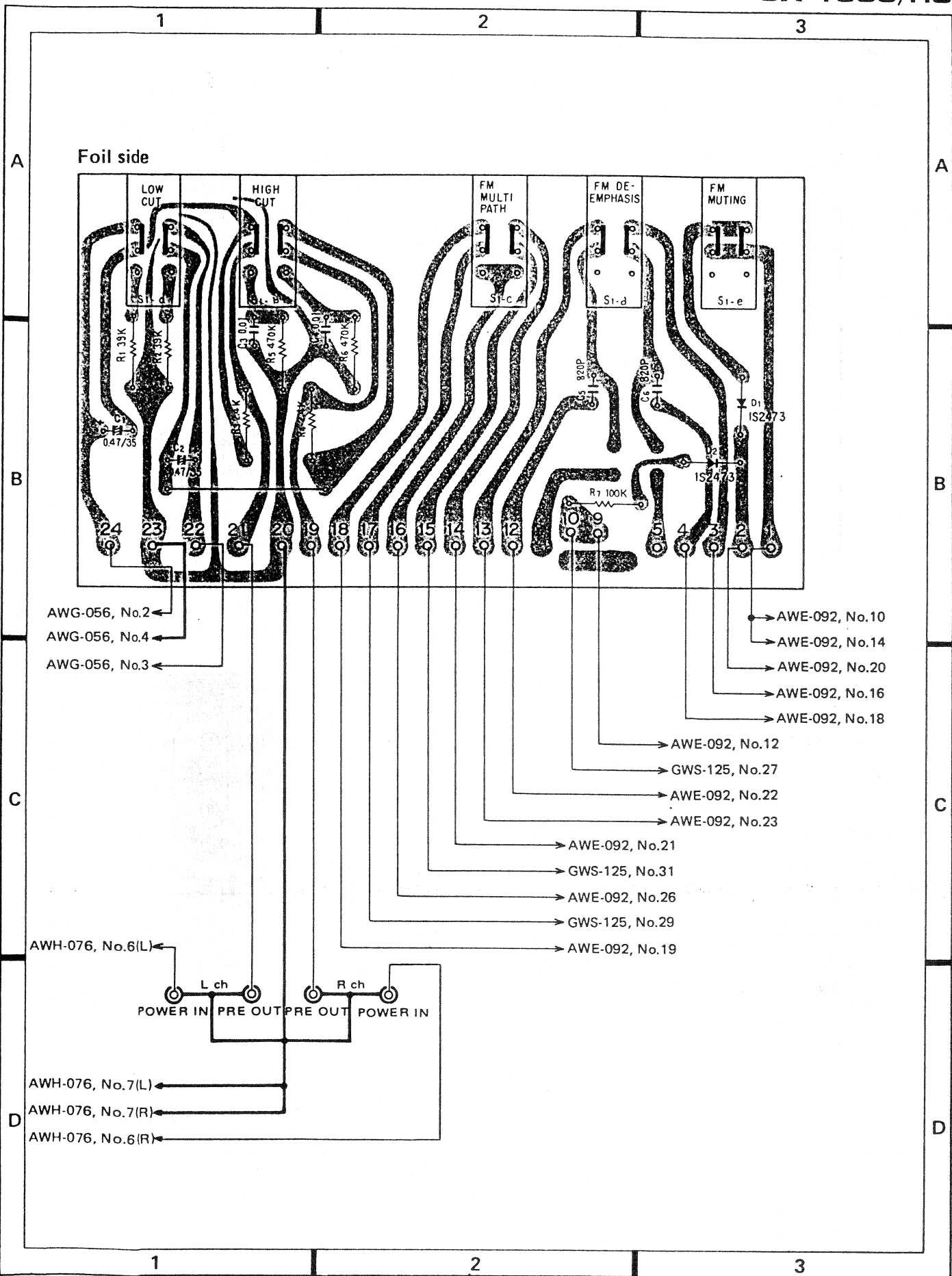
Symbol	Part No.	Description
C1	CSZA R47M 35	Styrol 0.47 35V
C2	CSZA R47M 35	Styrol 0.47 35V
C3	CQMA 103K 50	Mylar 0.01 50V
C4	CQMA 103K 50	Mylar 0.01 50V
C5	CQSA 821G 50	Styrol 820p 50V
C6	CQSA 821G 50	Styrol 820p 50V

#### RESISTORS

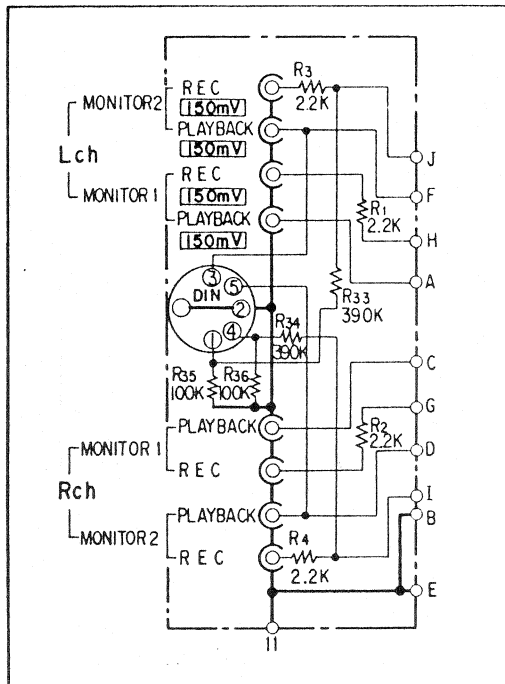
Symbol	Part No.	Description
R1	RD4PS 393J	Carbon film 39k
R2	RD4PS 393J	Carbon film 39k
R3	RD4PS 242J	Carbon film 2.4k
R4	RD4PS 242J	Carbon film 2.4k
R5	RD4PS 474J	Carbon film 470k
R6	RD4PS 474J	Carbon film 470k
R7	RD4PS 104J	Carbon film 100k

#### SEMICONDUCTORS

Symbol	Part No.	Description
D1	1S2473 or 1S1555	Diode
D2	1S2473 or 1S1555	Diode



## 2.8 INPUT TERMINAL ASSEMBLY (GWS-138)



### Parts List

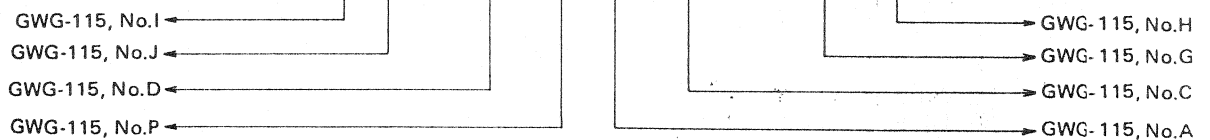
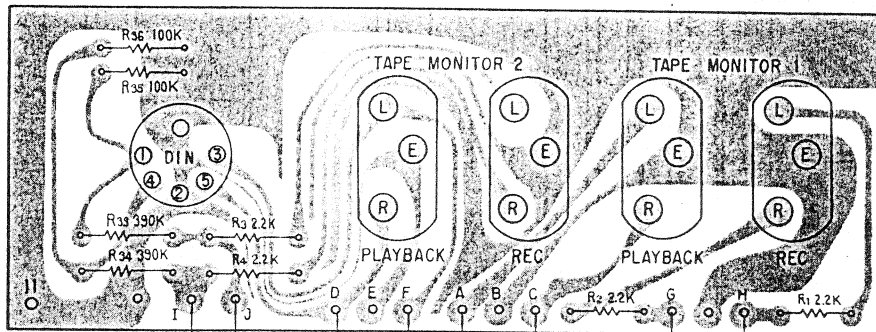
#### RESISTORS

Symbol	Part No.	Description
R1	RD $\frac{1}{2}$ PM 222J	Carbon film 2.2k
R2	RD $\frac{1}{2}$ PM 222J	Carbon film 2.2k
R3	RD $\frac{1}{2}$ PS 222J	Carbon film 2.2k
R4	RD $\frac{1}{2}$ PS 222J	Carbon film 2.2k
R33	RD $\frac{1}{2}$ PS 394J	Carbon film 390k
R34	RD $\frac{1}{2}$ PS 394J	Carbon film 390k
R35	RD $\frac{1}{2}$ PS 104J	Carbon film 100k
R36	RD $\frac{1}{2}$ PS 104J	Carbon film 100k

#### OTHERS

Symbol	Part No.	Description
	AKB-045	4P-pin jack
	AKP-011	DIN connector

### Foil side

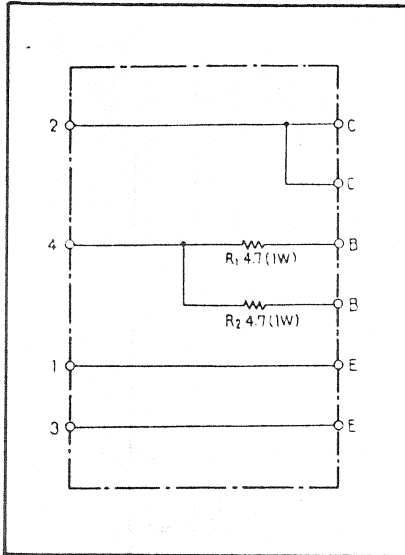


2.9 POWER TRANSISTOR CONNECTOR ASSEMBLY (AWX-130)

Parts List

RESISTORS

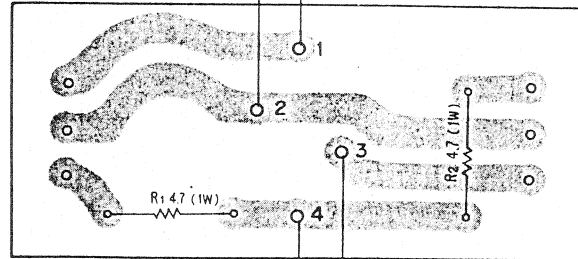
Symbol	Part No.	Description
R1	RN1P 4R7J	Metal film 4.7 1W
R2	RN1P 4R7J	Metal film 4.7 1W



AWX-076, No.14  
AWX-076, No.21

AWX-076, No.16  
AWX-076, No.19

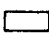
Foil side

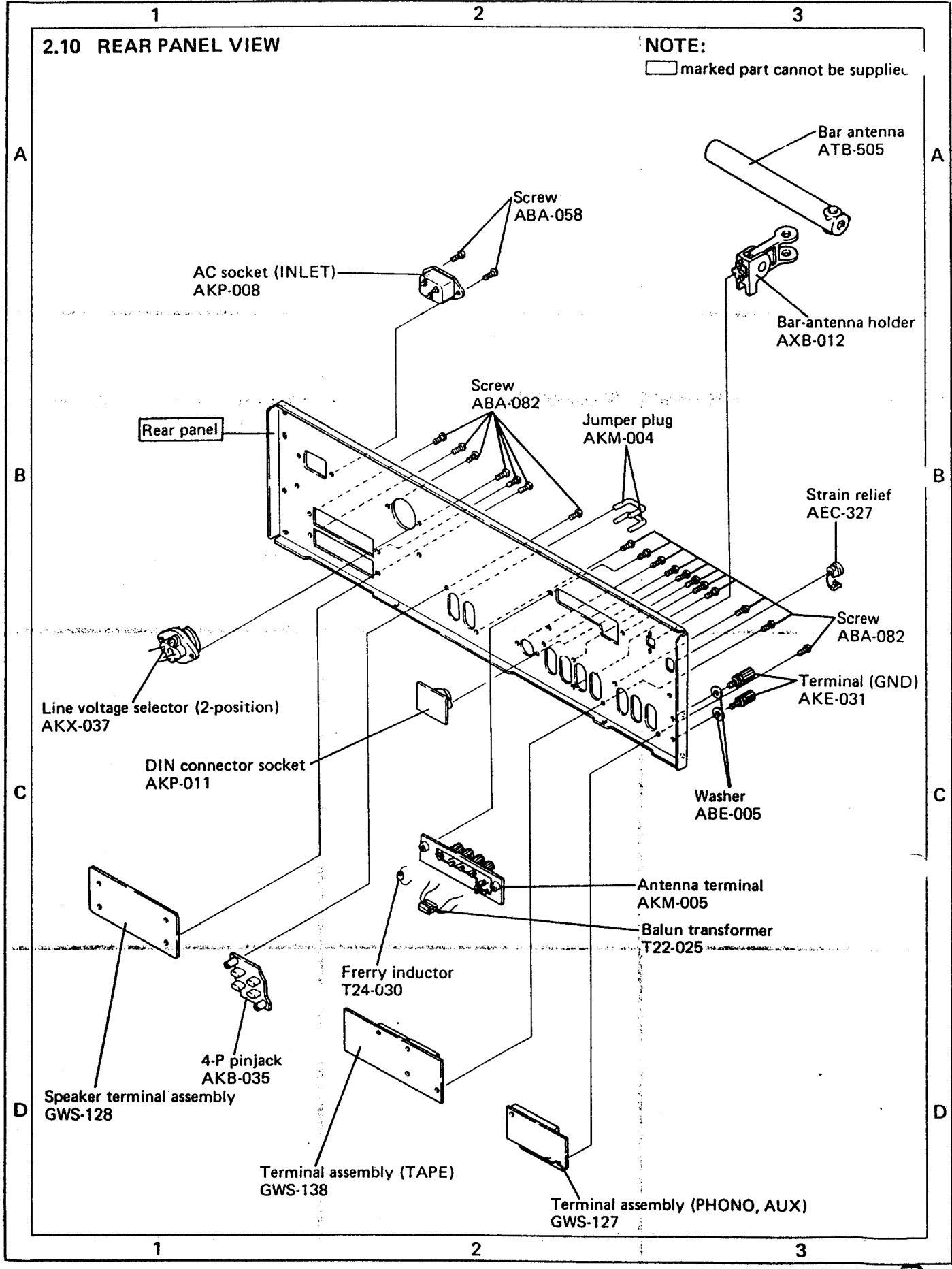


AWX-076, No.17  
AWX-076, No.18

AWX-076, No.15  
AWX-076, No.20

2.10 REAR PANEL VIEW

NOTE:  
 marked part cannot be supplied.

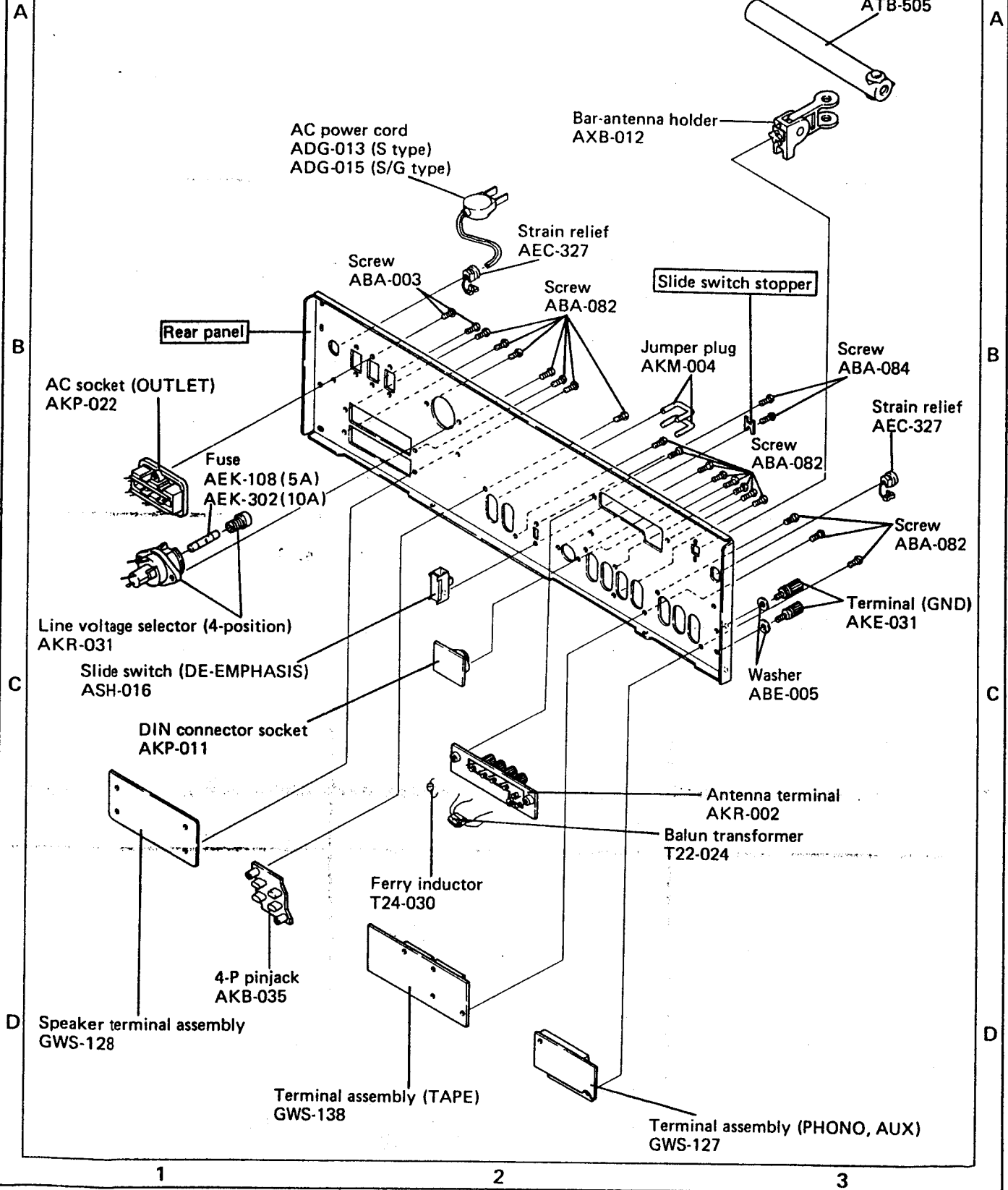


### 3. SX-1080/S

#### 3.1 REAR PANEL VIEW

NOTE:

□ marked part cannot be supplied.





### 3.2 MISCELLANEOUS PARTS LIST

**NOTE:**

- Capacitors: in  $\mu F$  unless otherwise noted p:pF
- Resistors: in  $\Omega$ ,  $\frac{1}{4}W$  unless otherwise noted k:k $\Omega$ , M:M $\Omega$

**SWITCHES**

Symbol	Part No.	Description
S22	ASA-505	Lever switch (POWER)
S25	AKX-037	Plug in selector (LINE VOLTAGE SELECTOR)
S26	ASH-016	Slide switch (DE-EMPHASIS)

**TRANSFORMERS**

Symbol	Part No.	Description
T1	T22-025	Balun transformer
T2	ATB-505	Bar antenna
T3	T24-030	Ferry inductor
T4	ATT-465	Power transformer

**CAPACITORS**

Symbol	Part No.	Description
C1	CKDBC 104Z 25	Ceramic 0.1 25V
C2	CKDBC 104Z 25	Ceramic 0.1 25V
C3	CKDBC 104Z 25	Ceramic 0.1 25V
C4	CKDBC 104Z 25	Ceramic 0.1 25V
C5	ACG-001	Ceramic 0.01 250V
C6	ACG-001	Ceramic 0.01 250V
C7	ACH-085	Electrolytic 22000 71V
C8	ACH-085	Electrolytic 22000 71V
C9	CEA 010P 80	Electrolytic 1 80V

**RESISTORS**

Symbol	Part No.	Description
R2	RS2P 122J	Metal oxide 1.2k 2W
R3	RS2P 122J	Metal oxide 1.2k 2W

**LAMPS**

Symbol	Part No.	Description
PL1	AEL-069	Pilot lamp with lead wire (FM)
PL2	AEL-067	Pilot lamp with lead wire (AM)
PL3	AEL-067	Pilot lamp with lead wire (AUX)
PL4	AEL-067	Pilot lamp with lead wire (PHONO)
PL5	AEL-069	Pilot lamp with lead wire (STEREO IND.)
PL7	AEL-029	Wedge type pilot lamp (Dial scale)
PL8	AEL-029	Wedge type pilot lamp (Dial scale)
PL9	AEL-029	Wedge type pilot lamp (Dial scale)

**SEMICONDUCTORS**

Symbol	Part No.	Description
Q1	2SD737/A/-B or C	Transistor
Q2	2SD737/A/-B or C	Transistor
Q3	2SB701/A/-B or C	Transistor
Q4	2SB701/A/-B or C	Transistor
Q5	2SD737/A/-B or C	Transistor

Symbol	Part No.	Description
Q6	2SD737/A/-B or C	Transistor
Q7	2SB701/A/-B or C	Transistor
Q8	2SB701/A/-B or C	Transistor

**FUSES**

Symbol	Part No.	Description
FU1	AEK-108	Fuse 5A
FU2	AEK-104	Fuse 1.5A
FU3	AEK-106	Fuse 1A
FU4	AEK-106	Fuse 1A
FU5	AEK-106	Fuse 1A
FU6	AEK-106	Fuse 1A

**OTHERS**

Symbol	Part No.	Description
	*AWE-092	Tuner assembly
	*GWS-125	Function and equalizer assembly
	*GWS-127	Input terminal assembly (PHONO, AUX)
	▲GWG-115	Flat amplifier assembly
	▲GWS-138	Input terminal assembly (TAPE)
	*AWG-056	Tone control assembly
	AWT-004	Filter assembly
	*GWS-124	Speaker switch assembly
	*GWS-128	Terminal assembly (SPEAKER)
	*AWH-071	Power amplifier assembly
	AWR-162	Power supply assembly
	*AWM-120	Protection and surge killer assembly
	*AWX-125	Power transistor connector assembly
	AKA-002	Antenna terminal
	AMM-066	Bonnet
	AKP-022	AC socket (OUTLET)

**NOTE:**

- \* marked assemblies are same as the SX-1080/KU.
- ▲ marked assemblies are same as the SX-1080/HG.

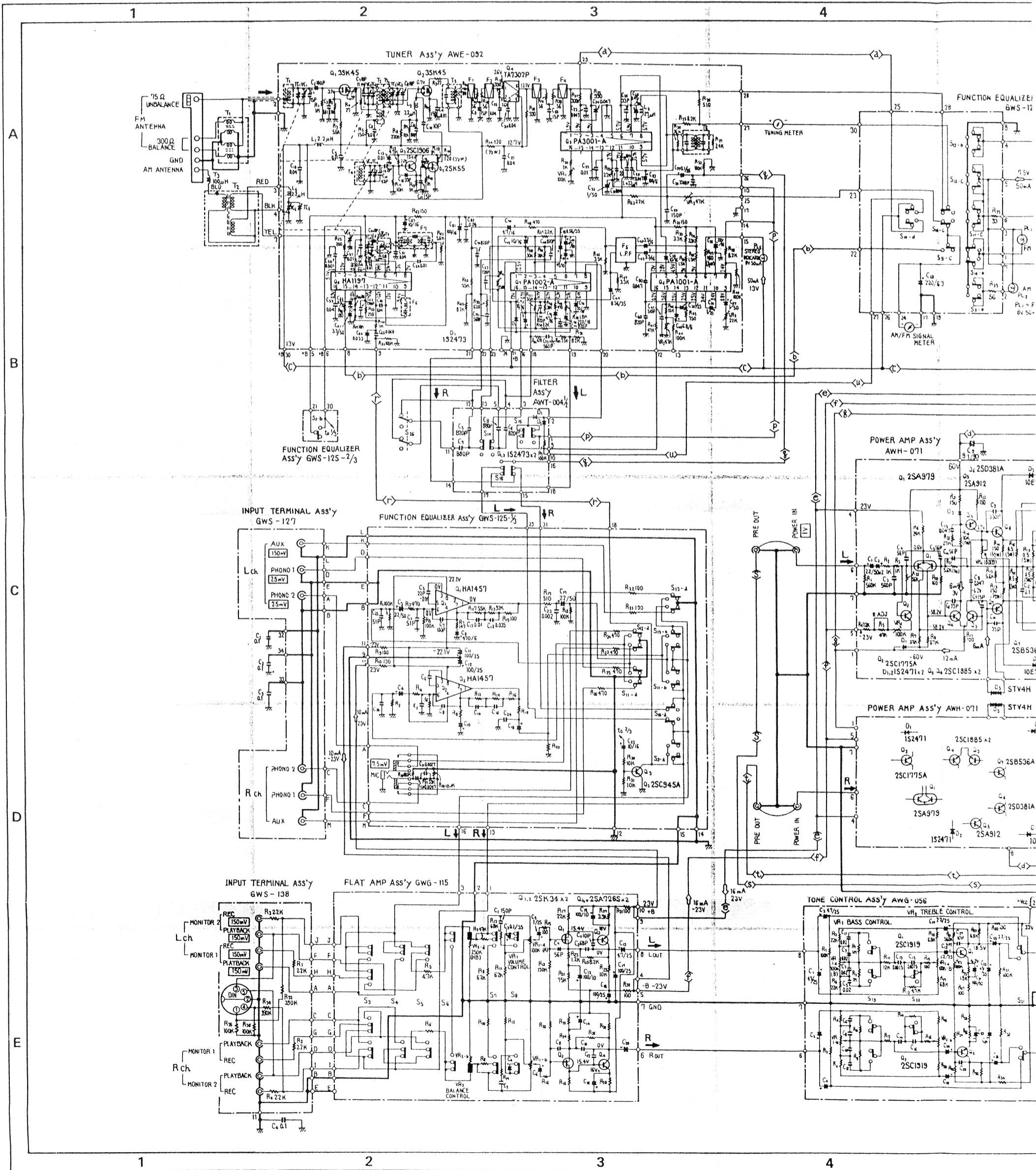
**List of Changed Parts for Factory Modification**

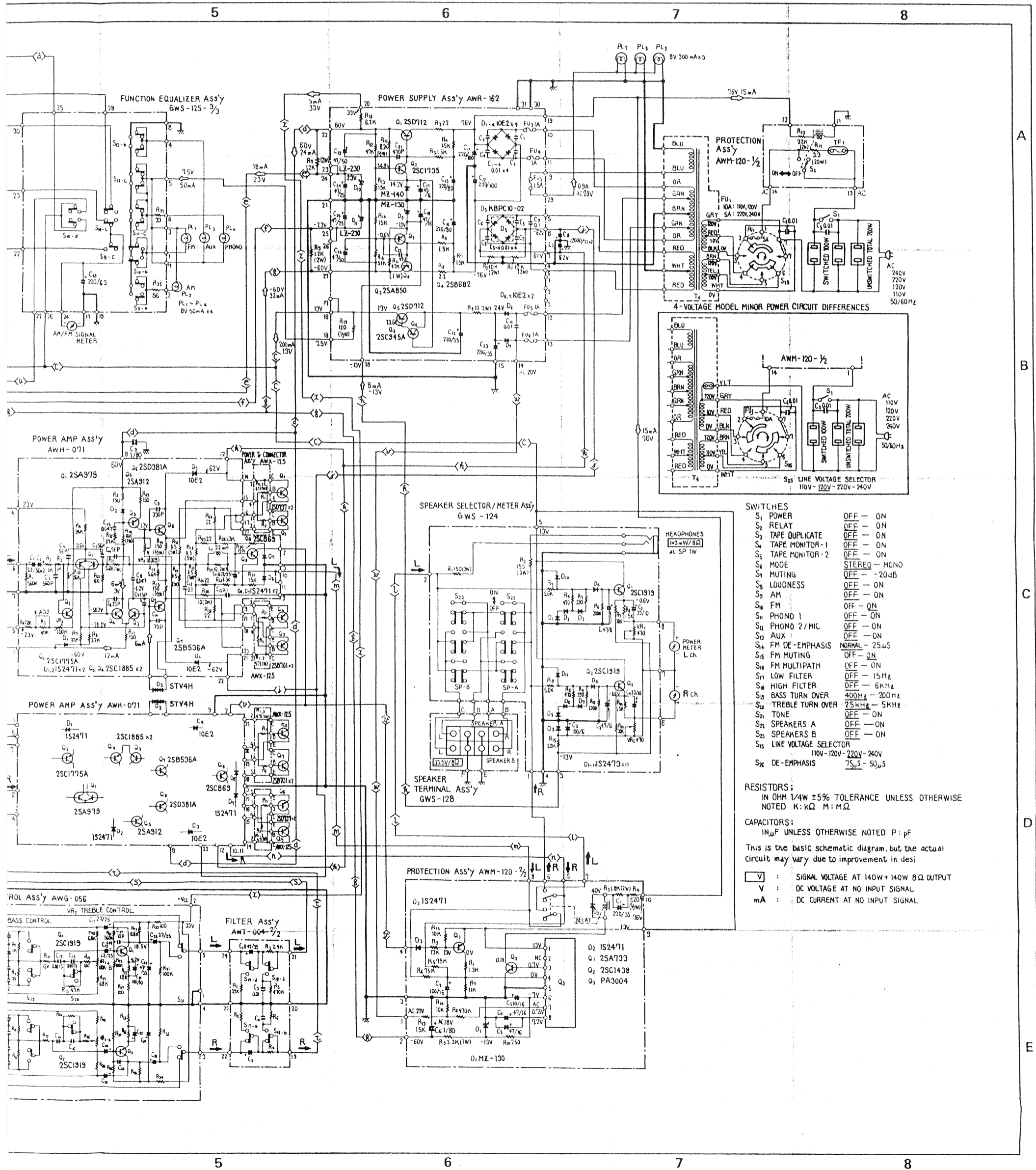
Symbol	Part No.	Description

AM / FM STEREO RECEIVER

# SX-1080

S





- SWITCHES**
- |                                       |                           |
|---------------------------------------|---------------------------|
| S <sub>1</sub> POWER                  | OFF - ON                  |
| S <sub>2</sub> RELAY                  | OFF - ON                  |
| S <sub>3</sub> TAPE DUPLICATE         | OFF - ON                  |
| S <sub>4</sub> TAPE MONITOR-1         | OFF - ON                  |
| S <sub>5</sub> TAPE MONITOR-2         | OFF - ON                  |
| S <sub>6</sub> MODE                   | STEREO - MONO             |
| S <sub>7</sub> MUTING                 | OFF - -20dB               |
| S <sub>8</sub> LOUDNESS               | OFF - ON                  |
| S <sub>9</sub> AM                     | OFF - ON                  |
| S <sub>10</sub> FM                    | OFF - ON                  |
| S <sub>11</sub> PHONO 1               | OFF - ON                  |
| S <sub>12</sub> PHONO 2 / MIC         | OFF - ON                  |
| S <sub>13</sub> AUX                   | OFF - ON                  |
| S <sub>14</sub> FM DE-EMPHASIS        | NORMAL - 25μS             |
| S <sub>15</sub> FM MUTING             | OFF - ON                  |
| S <sub>16</sub> FM MULTIPATH          | OFF - ON                  |
| S <sub>17</sub> LOW FILTER            | OFF - 15Hz                |
| S <sub>18</sub> HIGH FILTER           | OFF - 6KHz                |
| S <sub>19</sub> BASS TURN OVER        | 400Hz - 200Hz             |
| S <sub>20</sub> TREBLE TURN OVER      | 2.5KHz - 5KHz             |
| S <sub>21</sub> TONE                  | OFF - ON                  |
| S <sub>22</sub> SPEAKERS A            | OFF - ON                  |
| S <sub>23</sub> SPEAKERS B            | OFF - ON                  |
| S <sub>25</sub> LINE VOLTAGE SELECTOR | 110V - 120V - 220V - 240V |
| S <sub>26</sub> DE-EMPHASIS           | 75μS - 50μS               |

**RESISTORS:**  
IN OHM 1/4W ±5% TOLERANCE UNLESS OTHERWISE NOTED K: KΩ M: MΩ

**CAPACITORS:**  
IN μF UNLESS OTHERWISE NOTED P: pF

This is the basic schematic diagram, but the actual circuit may vary due to improvement in design

- V : SIGNAL VOLTAGE AT 140W + 140W 8Ω OUTPUT  
 V : DC VOLTAGE AT NO INPUT SIGNAL  
 mA : DC CURRENT AT NO INPUT SIGNAL

- D<sub>1</sub> 1S2471  
 D<sub>2</sub> 1S2471  
 Q<sub>1</sub> 2SA733  
 Q<sub>2</sub> 2SC1438  
 Q<sub>3</sub> PA3004

3.4 POWER SUPPLY ASSEMBLY (AWR-162)

Parts List

CAPACITORS

Symbol	Part No.	Description		
C1	ACG-004	Ceramic	0.01	150V
C2	ACG-004	Ceramic	0.01	150V
C3	ACG-004	Ceramic	0.01	150V
C4	ACG-004	Ceramic	0.01	150V
C5	ACG-004	Ceramic	0.01	150V
C6	ACG-004	Ceramic	0.01	150V
C7	ACG-004	Ceramic	0.01	150V
C8	ACG-004	Ceramic	0.01	150V
C9	CQMA 104K 250	Mylar	0.1	250V
C10	ACG-004	Ceramic	0.01	150V
C11	CEA 221P 100	Electrolytic	220	100V
C12	CEA 221P 100	Electrolytic	220	100V
C13	CEA 221P 35	Electrolytic	220	35V
C15	CEA 221P 80	Electrolytic	220	80V
C16	CEA 221P 80	Electrolytic	220	80V
C17	CEA 470P 16	Electrolytic	47	16V
C18	CEA 470P 16	Electrolytic	47	16V
C19	CEA 4R7P 50	Electrolytic	4.7	50V
C20	CEA 4R7P 50	Electrolytic	4.7	50V
C21	CKDYB 471K 50	Ceramic	470p	50V
C22	CKDYB 471K 50	Ceramic	470p	50V
C23	ACH-060	Electrolytic	2200	35V
C24	CEA 470P 25	Electrolytic	47	25V
C25	CEA 470P 25	Electrolytic	47	25V

RESISTORS

Symbol	Part No.	Description		
R1	RS2P 103J	Metal oxide	10k	2W
R2	RS2P 103J	Metal oxide	10k	2W
R3	RD½PSF 2R2J	Carbon film	2.2	
R4	RD½PSF 152J	Carbon film	1.5k	
R5	RD½PSF 152J	Carbon film	1.5k	
R6	RD½PSF 152J	Carbon film	1.5k	
R7	RD½PSF 152J	Carbon film	1.5k	
R8	RD½PSF 2R2J	Carbon film	2.2	
R9	RS2P 100J	Metal oxide	10	2W
R10	RD½PS 822J	Carbon film	8.2k	
R11	RS1P 472J	Metal oxide	4.7k	1W
R12	RD½PS 473J	Carbon film	47k	
R13	RD½PS 153J	Carbon film	15k	
R14	RD½PS 153J	Carbon film	15k	
R15	RD½PS 513J	Carbon film	51k	
R16				
R17				
R18	RD½PS 121J	Carbon film	120	½W
R19	RD½PS 622J	Carbon film	6.2k	

SEMICONDUCTORS

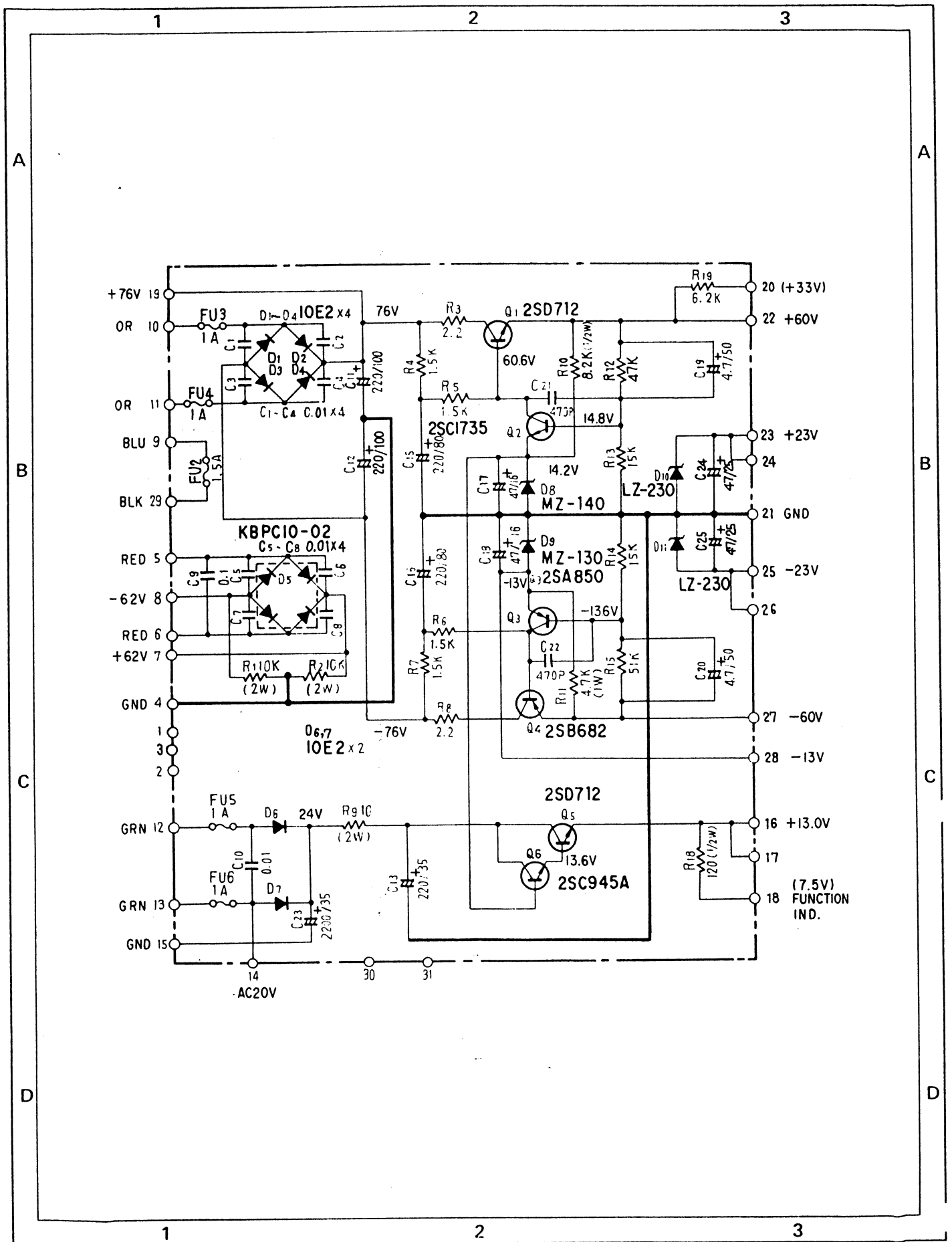
Symbol	Part No.	Description
Q1	2SD712-D or C	Transistor
Q2	2SC1735-D or C (2SC1384-Q or R)	Transistor
Q3	2SA850-D or C (2SA684A-Q or R)	Transistor
Q4	2SB682-D or C	Transistor
Q5	2SD712-D or C	Transistor
Q6	2SC945A-Q or R (2SC1914-F)	Transistor
D1	10E2 or SIB01-02	Diode
D2	10E2 or SIB01-02	Diode
D3	10E2 or SIB01-02	Diode
D5	KBPC10-02 (S15VB21)	Diode
D6	10E2 or SIB01-02	Diode
D7	10E2 or SIB01-02	Diode
D8	MZ-140 or WZ-140	Zener diode
D9	MZ-130 or WZ-130	Zener diode
D10	LZ-230	Zener diode
D11	LZ-230	Zener diode

OTHERS

Symbol	Part No.	Description
	ANH-203	Heat sink
	ANH-395	Heat sink
	AKR-013	Fuse holder

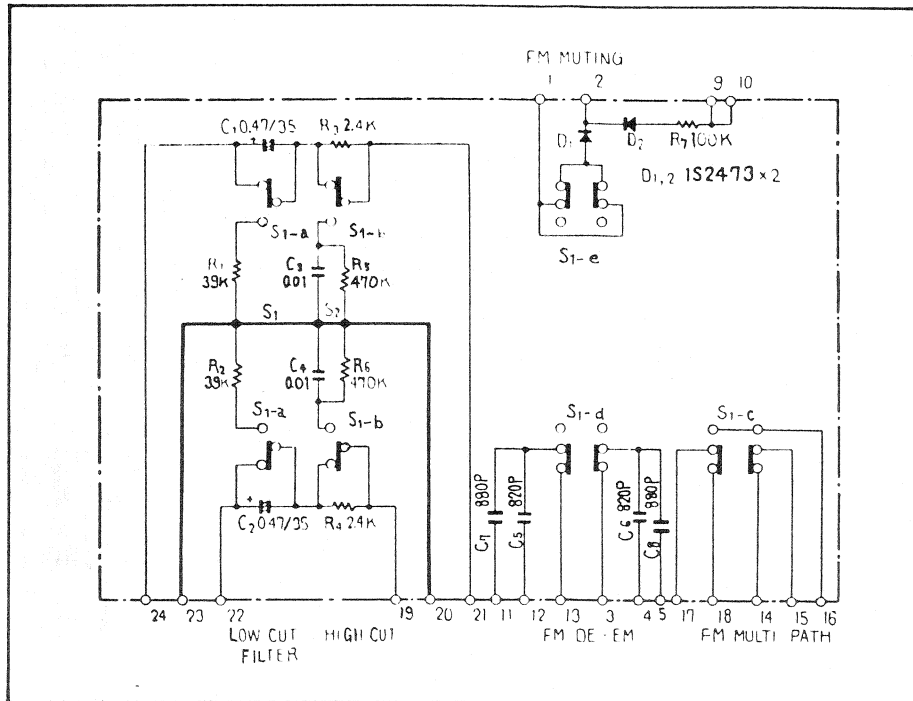
List of Changed Parts for Factory Modification

Symbol	Part No.	Description





3.5 FILTER ASSEMBLY (AWT-004)



Parts List

SWITCH

Symbol	Part No.	Description
S1	ASG-128	Push switch

CAPACITORS

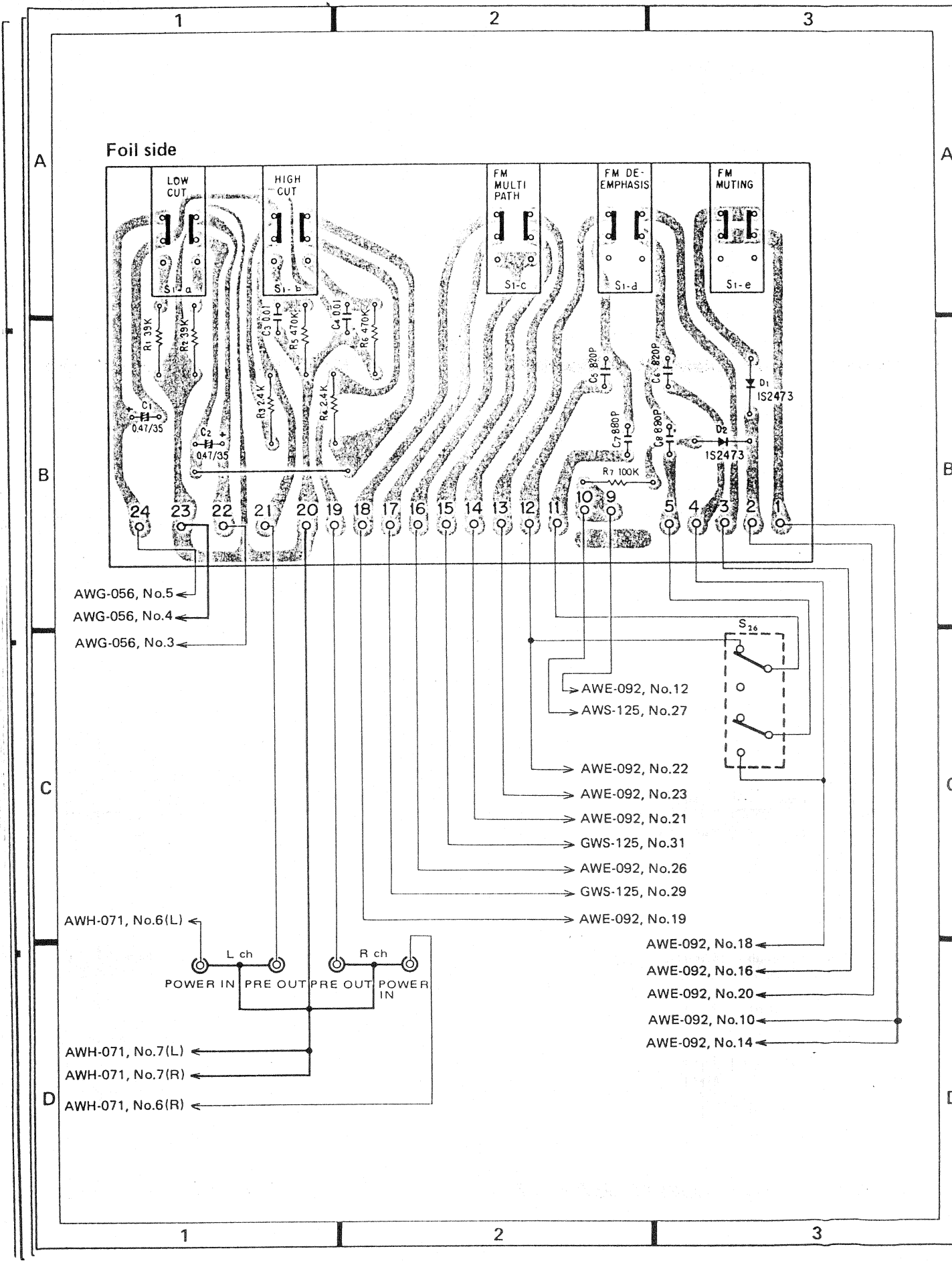
Symbol	Part No.	Description
C1	CSZA R47M 35	Electrolytic 0.47 35V
C2	CSZA R47M 35	Electrolytic 0.47 35V
C3	CQMA 103K 50	Mylar 0.01 50V
C4	CQMA 103K 50	Mylar 0.01 50V
C5	CQSA 821G 50	Styrol 820p 50V
C6	CQSA 821G 50	Styrol 820p 50V
C7	ACE-019	Styrol 880p 50V
C8	ACE-019	Styrol 880p 50V

RESISTORS

Symbol	Part No.	Description
R1	RD¼PS 393J	Carbon film 39k
R2	RD¼PS 393J	Carbon film 39k
R3	RD¼PS 242J	Carbon film 2.4k
R4	RD¼PS 242J	Carbon film 2.4k
R5	RD¼PS 474J	Carbon film 470k
R6	RD¼PS 474J	Carbon film 470k
R7	RD¼PS 104J	Carbon film 100k

SEMICONDUCTORS

Symbol	Part No.	Description
D1	1S2473 or 1S1555	Diode
D2	1S2473 or 1S1555	Diode



Foil side

AWG-056, No.5  
 AWG-056, No.4  
 AWG-056, No.3

AWE-092, No.12  
 AWS-125, No.27

AWE-092, No.22  
 AWE-092, No.23  
 AWE-092, No.21  
 GWS-125, No.31  
 AWE-092, No.26  
 GWS-125, No.29  
 AWE-092, No.19

AWH-071, No.6(L)  
 L ch  
 R ch  
 POWER IN PRE OUT PRE OUT POWER IN  
 AWH-071, No.7(L)  
 AWH-071, No.7(R)  
 AWH-071, No.6(R)

AWE-092, No.18  
 AWE-092, No.16  
 AWE-092, No.20  
 AWE-092, No.10  
 AWE-092, No.14



## 4. SX-1080/KC

Model the SX-1080/KC is the same as the SX-1080/KU with exception the following parts.

### TRANSFORMER

Symbol	Description	Part No.		Remarks
		KU type	KC type	
T4	Power transformer	ATT-448	ATT-461	

### CAPACITORS

Symbol	Description	Part No.		Remarks
		KU type	KC type	
C5	Ceramic 0.01 250V	ACG-001	.....	
	Ceramic 0.01 125V	.....	ACG-014	
C6	Ceramic 0.01 125V	ACG-003	ACG-014	

### ASSEMBLIES

Symbol	Description	Part No.		Remarks
		KU type	KC type	
	Power amplifier assembly	AWH-071	AWH-076	Assembly is the same as the SX-1080/HG, See page 12.
	Power supply assembly	AWR-152	AWR-167	The circuitry is the same as the SX-1080/KU, only different is parts installation method.

### OTHERS

Symbol	Description	Part No.		Remarks
		KU type	KC type	
	Capacitor cover	AEC-279 AEC-294	AEC-365 .....	
	Packing case	AHD-505	AHD-525	