

SWITCH ASSY AWS-094 1/5

MIC JACK ASSY AWX-097

EQUALIZER AMP ASSY AWF-021

SWITCH ASSY AWS-094 1/5

SWITCH ASSY AWS-094 1/5

RESISTOR ;
IN OHM, 1/4W ±5% TOLERANCE UNLESS
OTHERWISE NOTED K : kΩ . M : MΩ .

CAPACITORS ;
IN μF UNLESS OTHERWISE NOTED P : pF

SWITCHES ;
S1 POWER OFF — ON
S2 RELAY OFF — ON
S11 AM OFF — ON
S12 FM OFF — ON
S13 PHONO 1 OFF — ON
S14 PHONO 2/MIC OFF — ON
S15 AUX OFF — ON
S16 TAPE MONITOR 1 OFF — ON
S17 TAPE MONITOR 2 OFF — ON
S18 TAPE DUPLICATE OFF — ON
S19 ADAPTOR OFF — ON
S20 MODE STEREO — MONO
S21 MUTING OFF — -20dB
S22 LOUDNESS OFF — ON
S23 TONE OFF — ON
S24 LOW FILTER OFF — 30Hz
S25 HIGH FILTER OFF — 8kHz
S26 SPEAKER A OFF — ON
S27 SPEAKER B OFF — ON
S28 SPEAKER C OFF — ON

RELAYS ;
S29 FM MUTING OFF — ON
S30 FM MULTIPATH OFF — ON
S31 REED RELAY
S32 FM DE-EMPHASIS 25 μS — 75 μS

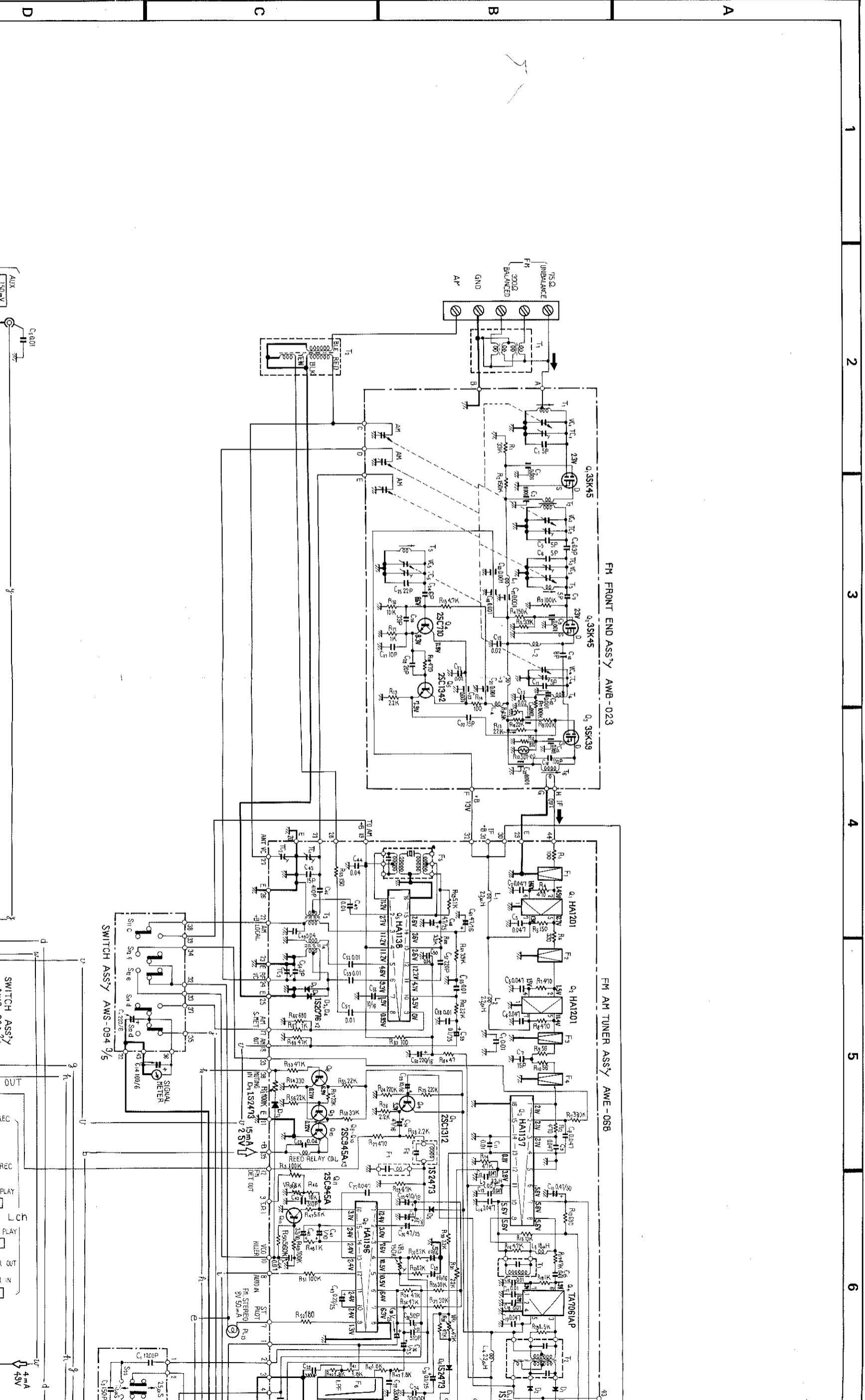
SIGNAL VOLTAGE AT SPEAKER OUTPUT 38V/8Ω 1kHz
DC CURRENT AT NO INPUT SIGNAL
DC VOLTAGE AT NO INPUT SIGNAL

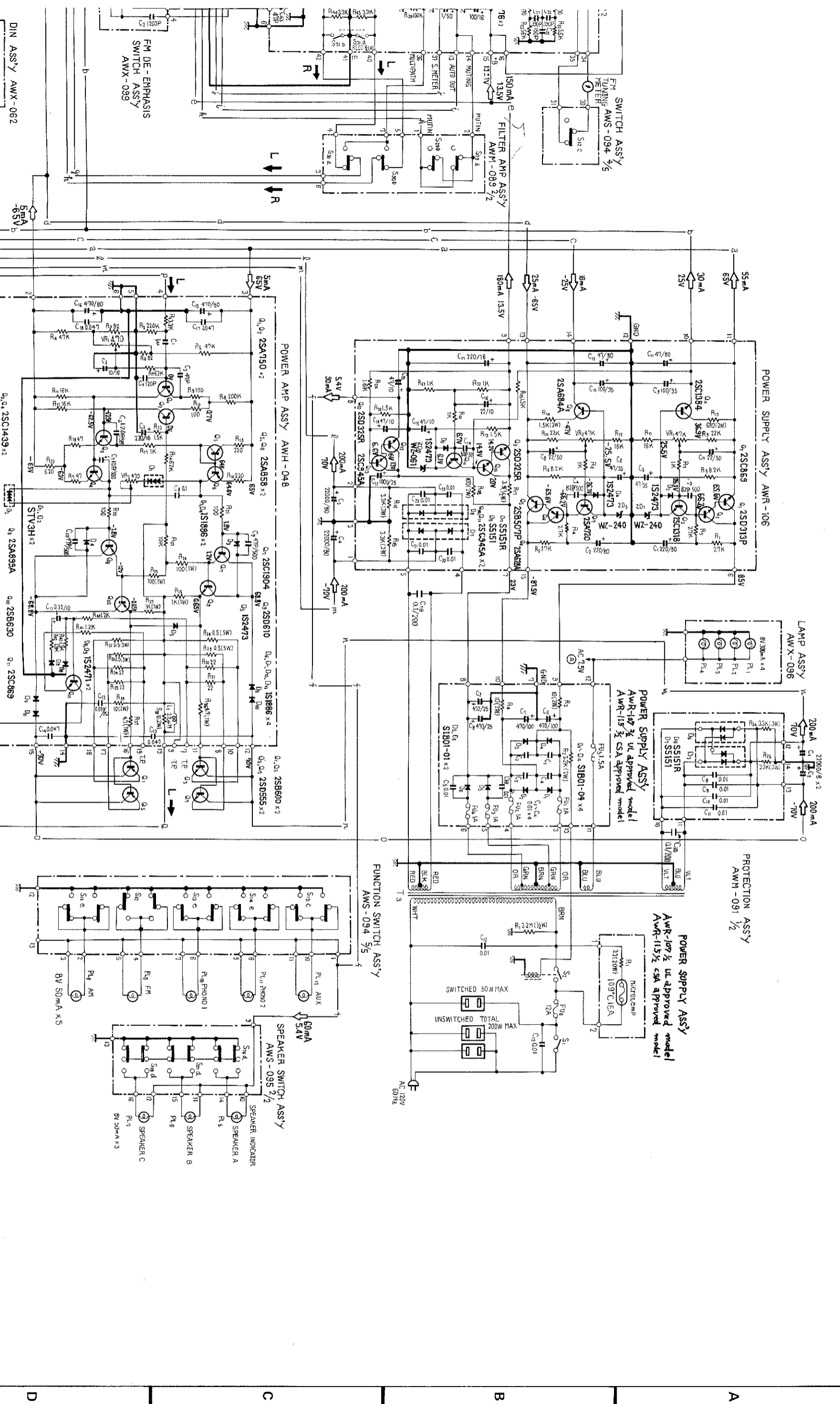
NOTE:
This is the basic schematic diagram, but the actual circuit
may vary due to improvement in design.

AM/FM STEREO RECEIVER

SX-1250

KC
KU





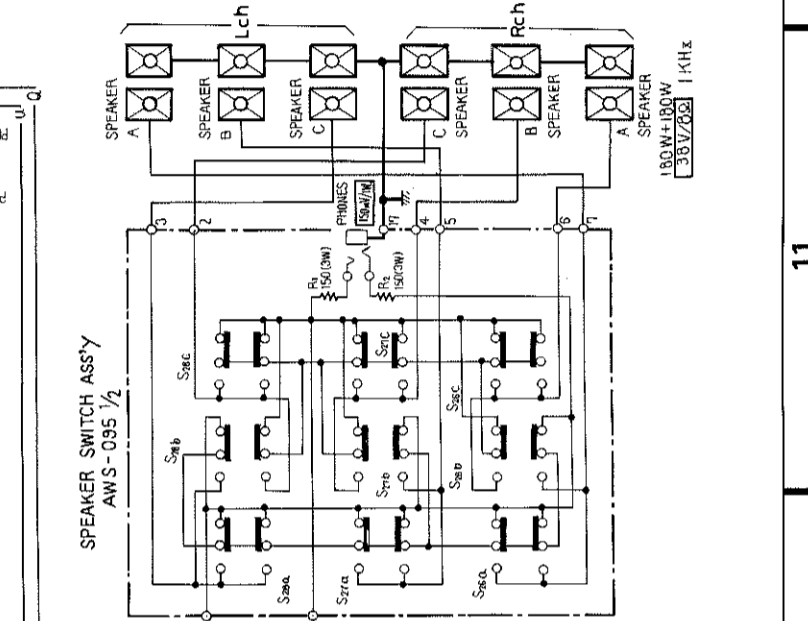
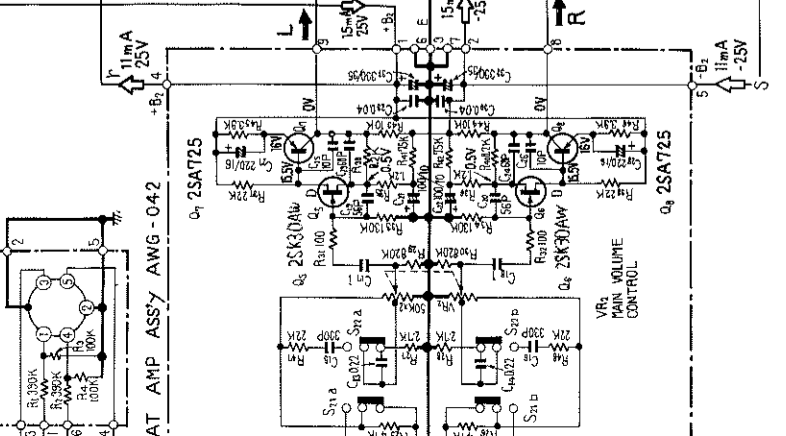
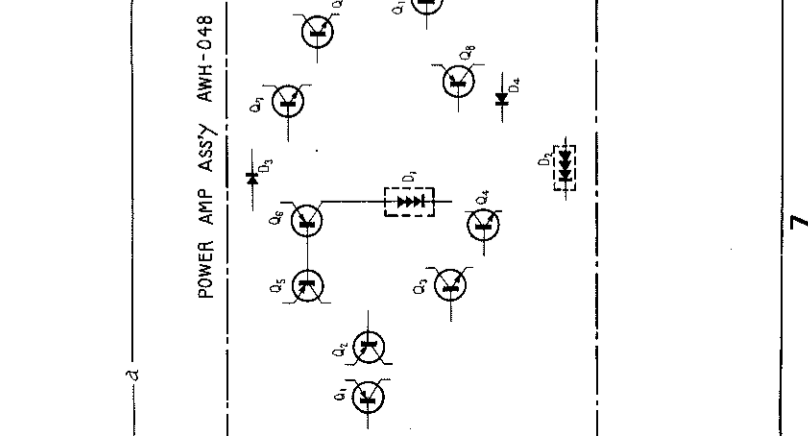
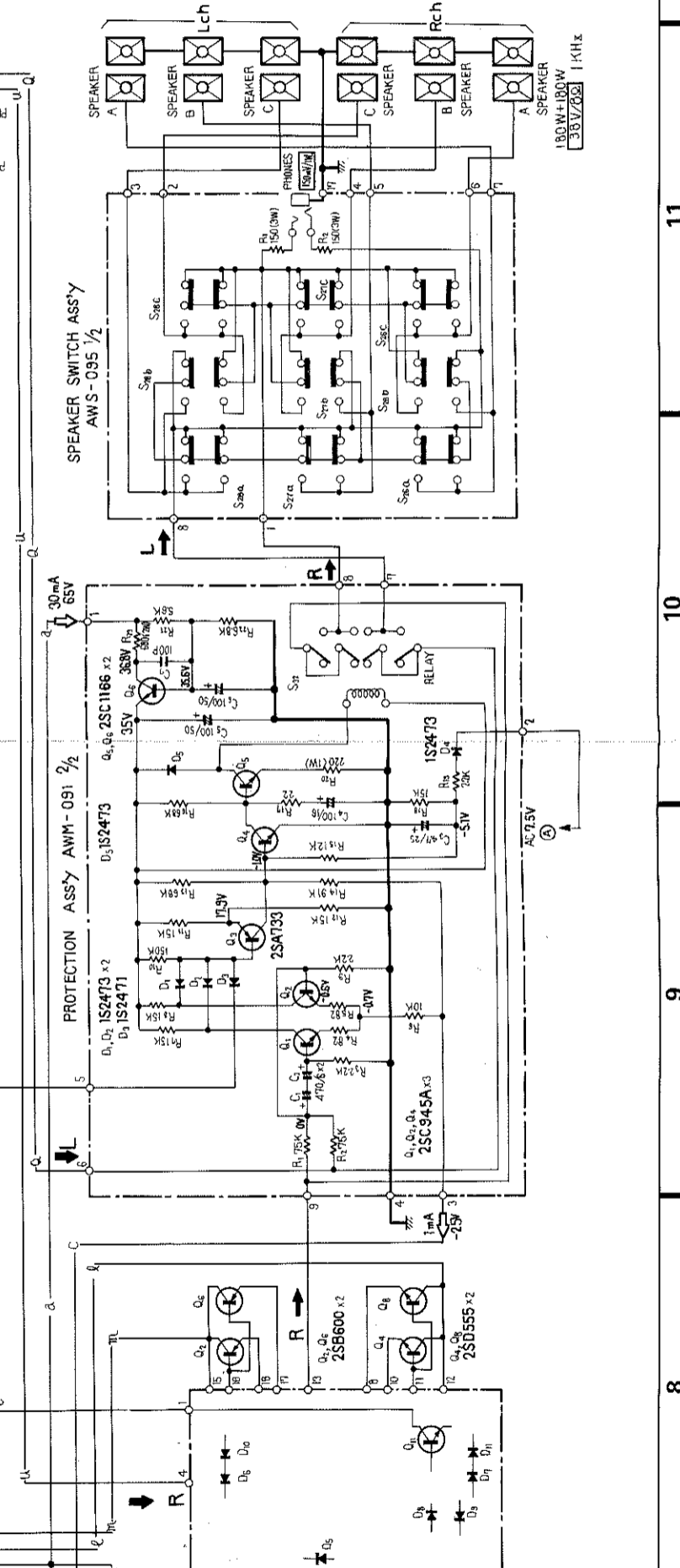
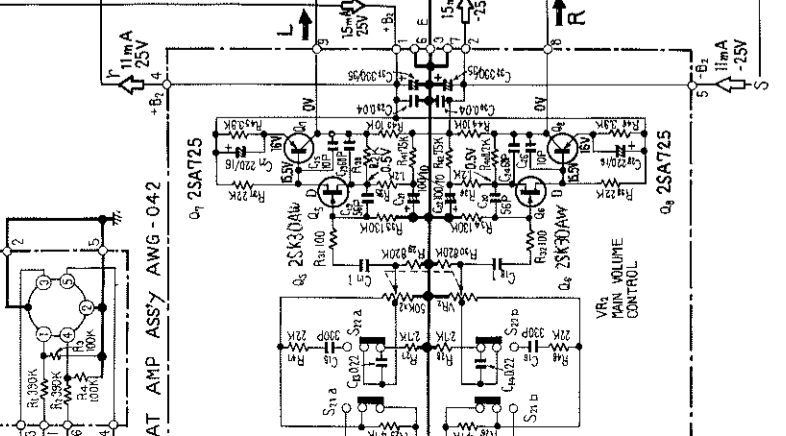
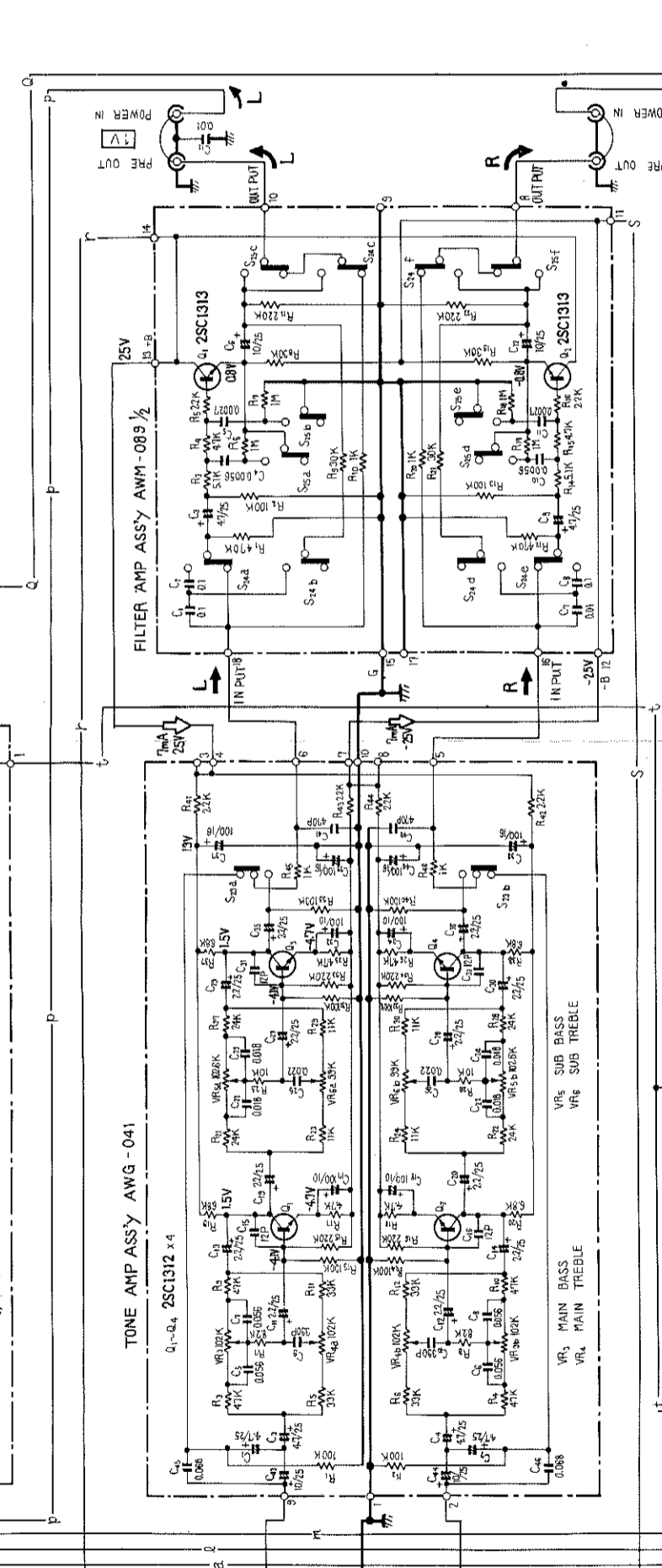
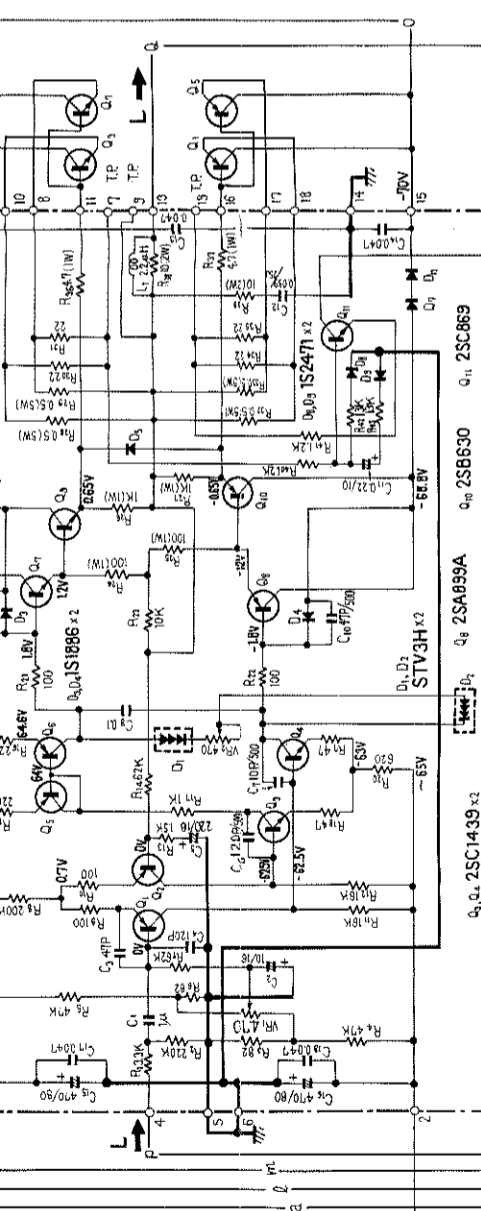
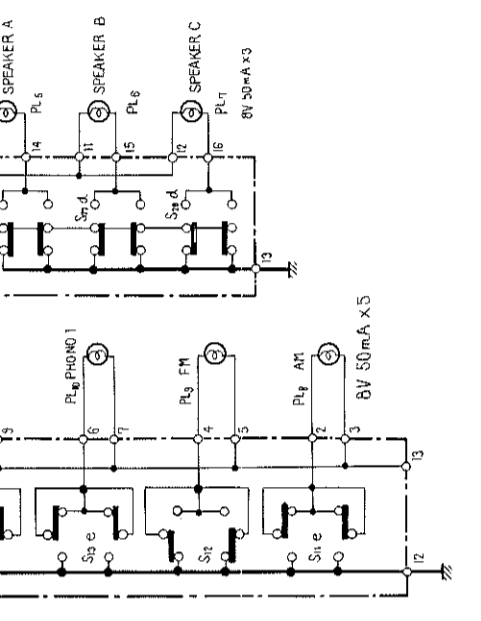
DIN ASS'Y AWX-062

D

C

B

A



D

E

F

G