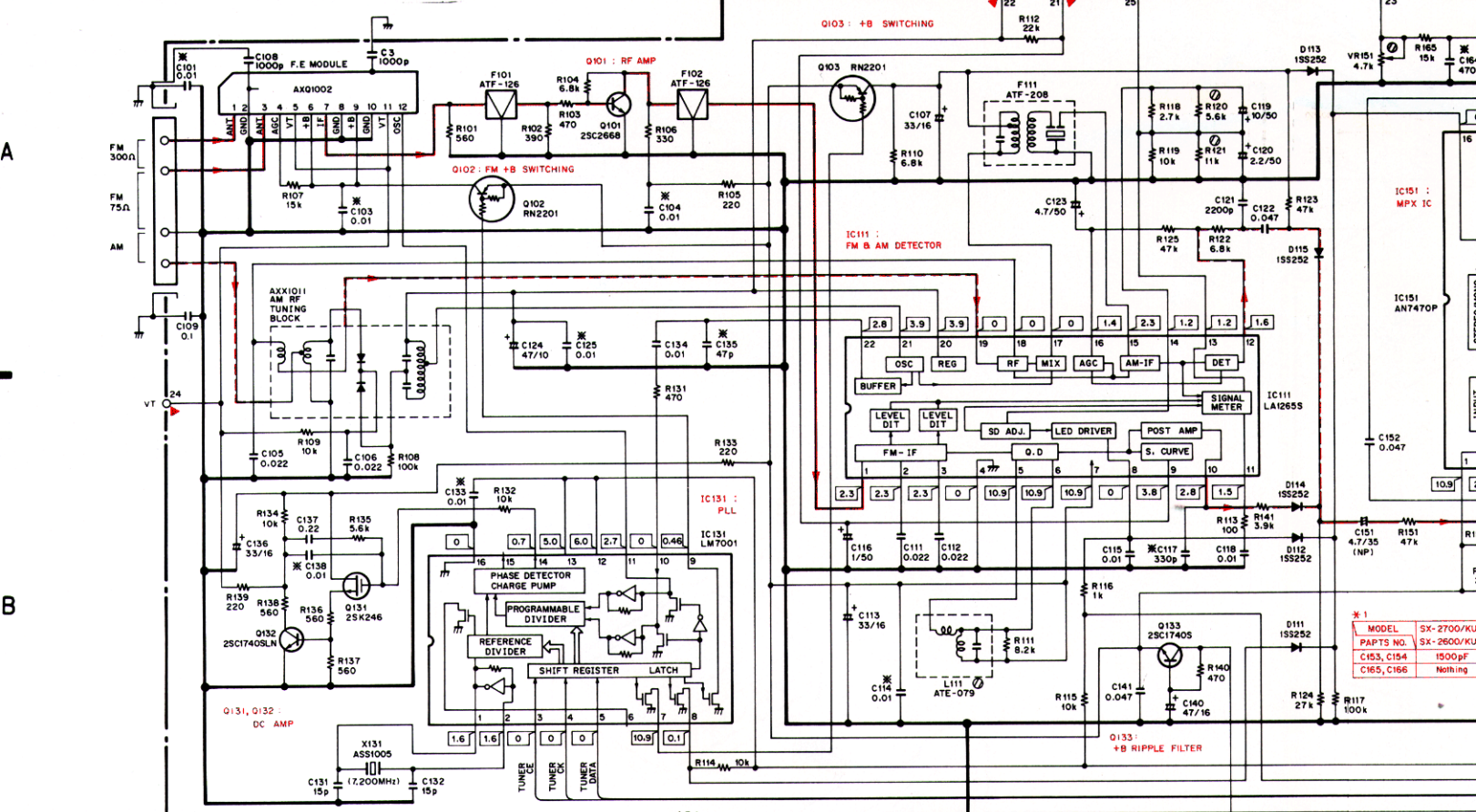
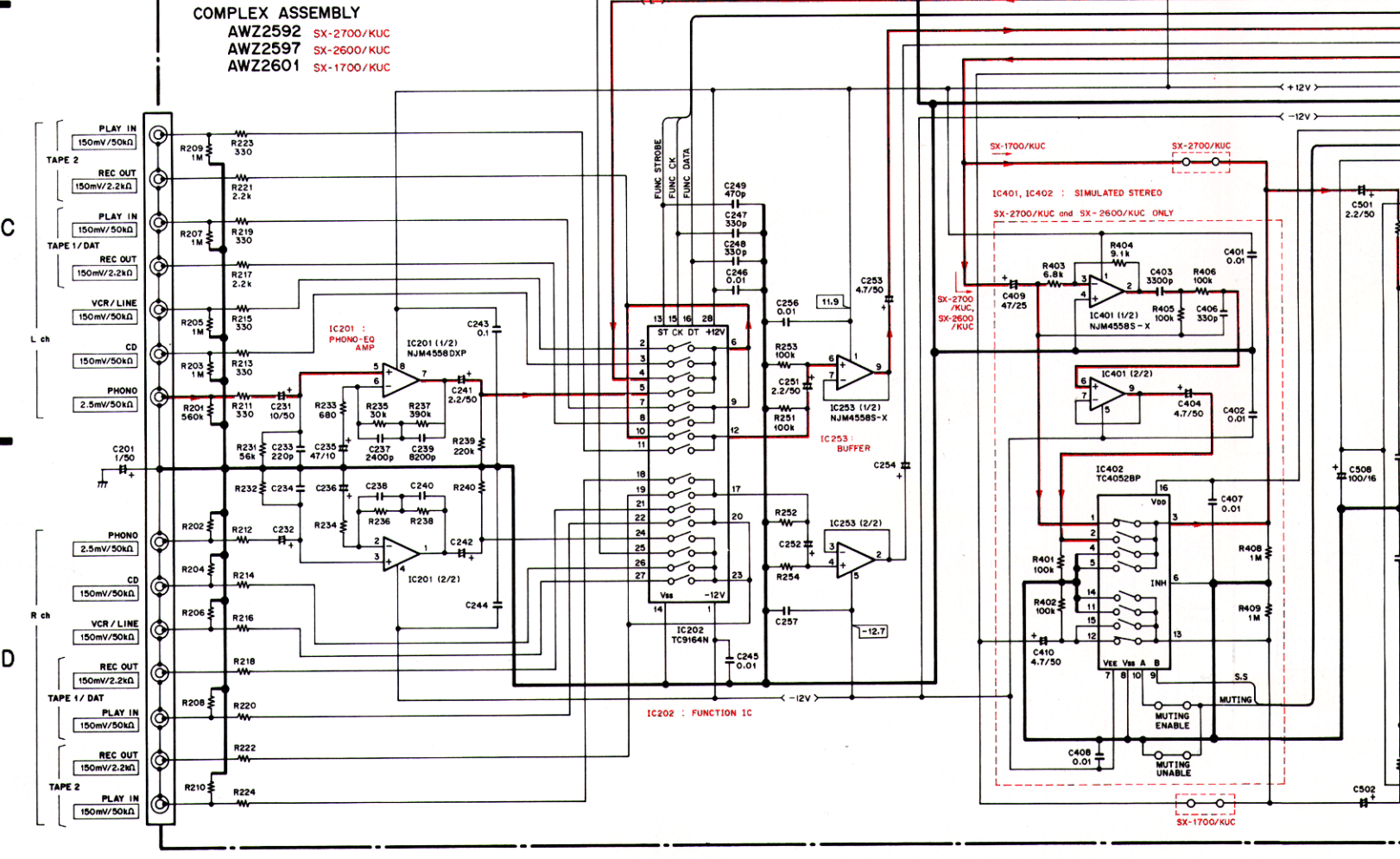


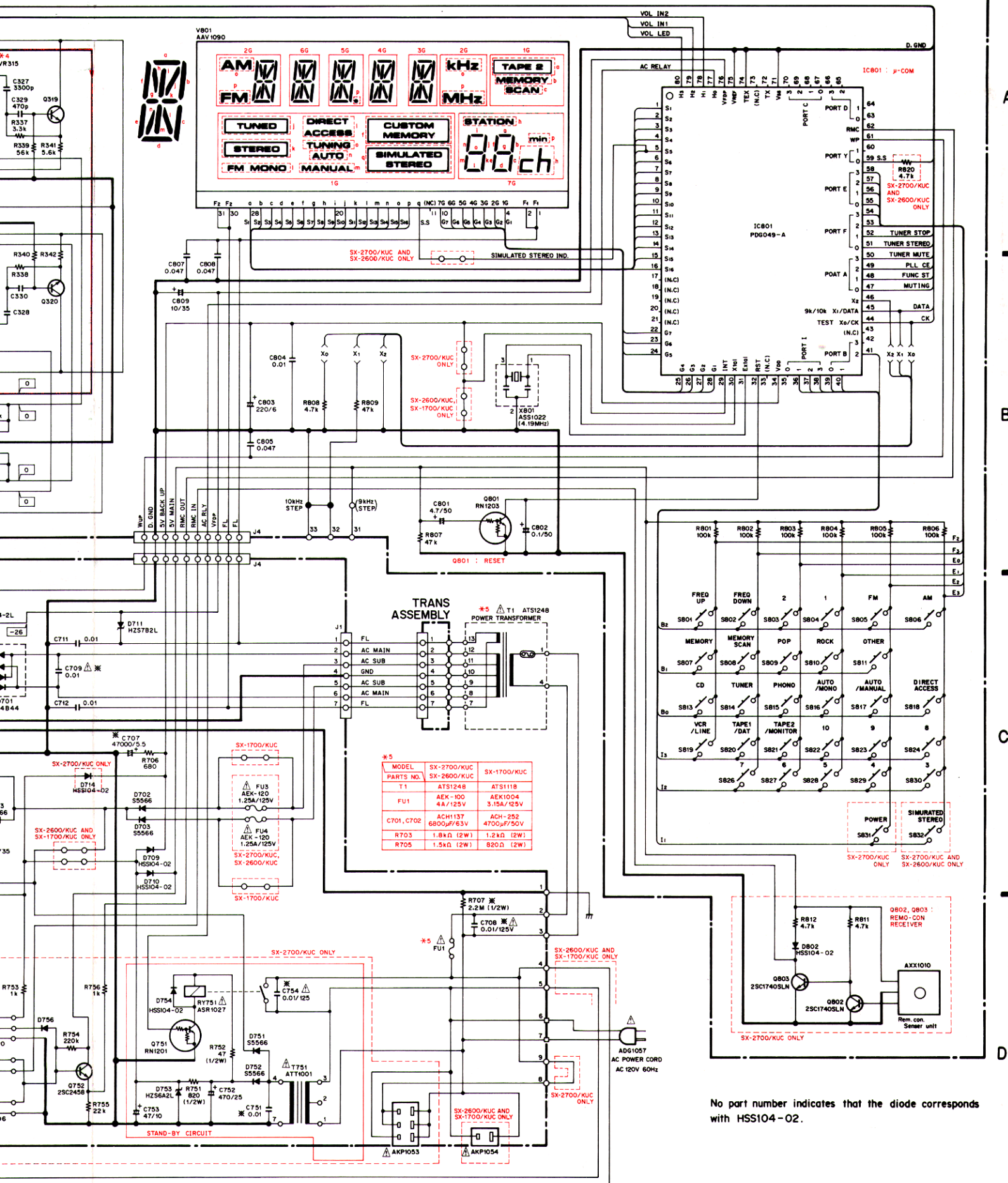
3. SCHEMATIC DIAGRAM



COMPLEX ASSEMBLY
AWZ2592 SX-2700/KUC
AWZ2597 SX-2600/KUC
AWZ2601 SX-1700/KUC



*1	MODEL	SX-2700/KUC
	PAPTS NO.	SX-2600/KUC
	C153, C154	1500pF
	C165, C166	Nothing



*5

MODEL	SX-2700/KUC	SX-2600/KUC	SX-1700/KUC
T1	ATS1248	ATS1118	
FU1	AEK-100 4A/125V	AEK1004 3.15A/125V	
C701, C702	ACH137 6800µF/63V	ACH-252 4700µF/50V	
R703	1.8kΩ (2W)	1.2kΩ (2W)	
R705	1.5kΩ (2W)	820Ω (2W)	

No part number indicates that the diode corresponds with HSS104-02.