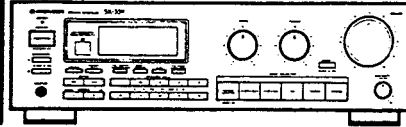


Service Manual

PIONEER®
The Art of Entertainment



ORDER NO.
ARP2223

STEREO RECEIVER

SX-339

SX-229

SX-229 AND SX-339 HAVE THE FOLLOWING :

Type	Model		Power Requirement	Remarks
	SX-229	SX-339		
HE	○	○	AC220V-AC230V, 240V (Switchable) *	
HB	○	○	AC220V-AC230V, 240V (Switchable) *	
HEWZ	○	○	AC220V-AC230V, 240V (Switchable) *	
YPW	○	—	AC240V only	

* Change the connection of the power transformer primary taps.

- This manual is applicable to the SX-229/HE, HB, HEWZ, YPW, SX-339/HE, HB and HEWZ types.
- As to the SX-229/HB, HEWZ and YPW types, refer to pages 64, 65.
- As to the SX-339/HB and HEWZ types, refer to pages 66-68.
- Ce manuel pour le service comprend les explications de réglage en français.
- Este manual de servicio trata del método ajuste escrito en español.

CONTENTS

1. EXPLODED VIEWS, PACKING AND PARTS LIST	2	4. RÉGLAGE	60
2. SCHEMATIC DIAGRAMS AND PCB CONNECTION DIAGRAMS	6	4. AJUSTE	62
3. PCB's PARTS LIST	50	5. FOR SX-229/HB, YPW AND HEWZ TYPES	64
4. ADJUSTMENTS	58	6. FOR SX-339/HB AND HEWZ TYPES	66
		7. SPECIFICATIONS	69
		8. PANEL FACILITIES	70

PIONEER ELECTRONIC CORPORATION 4-1, Meguro 1-Chome, Meguro-ku, Tokyo 153, Japan

PIONEER ELECTRONICS SERVICE INC. P.O. Box 1760, Long Beach, California 90801 U.S.A.

PIONEER ELECTRONICS OF CANADA, INC. 505 Cochrane Drive, Markham, Ontario L3R 8E3 Canada

PIONEER ELECTRONIC [EUROPE] N.V. Keetberglaan 1, 2740 Beveren, Belgium

PIONEER ELECTRONICS AUSTRALIA PTY. LTD. 178-184 Boundary Road, Braeside, Victoria 3195, Australia TEL: [03] 580-9911

© PIONEER ELECTRONIC CORPORATION 1991

YX APR. 1991 Printed in

1. EXPLODED VIEWS, PACKING AND PARTS LIST

NOTES:

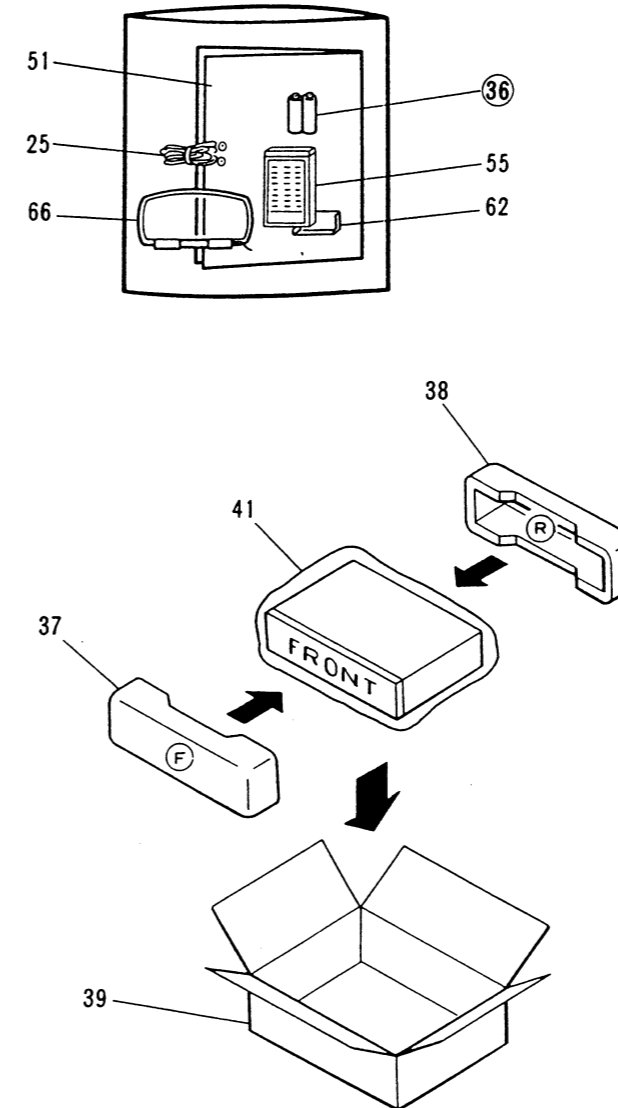
- Parts without part number cannot be supplied.
- The Δ mark found on some component parts indicates the importance of the safety factor of the part. Therefore, when replacing, be sure to use parts of identical designation.
- Parts marked by "©" are not always kept in stock. Their delivery time may be longer than usual or they may be unavailable.

Parts list of Exterior and Packing

Mark	No.	Description	Parts No.	Mark	No.	Description	Parts No.
	1	VOL KNOB (VOLUME) (SX-339)	AAB1152	31	PCB SPACER (SX-339 only)		
	1	VOL KNOB (VOLUME) (SX-229)	AAB1153	32	PCB SPACER (SX-339 only)		
	2	ROTARY KNOB (BALANCE)	AAB1154	33	COMPLEX ASSEMBLY (SX-339)	AWZ3312	
	3	KNOB (TREBLE, BASS)	AAB1221	33	COMPLEX ASSEMBLY (SX-229)	AWZ3315	
	4	KNOB (POWER)	AAD1661	34	SHEET	AEE1014	
	5	SPEAKER KNOB	AAD1662	35	CLAMPER		
	6	PUSH KNOB (DIRECT)	AAD1811	36	DRY CELL BATTERIES (R03, AAA) (SX-339 only)		
	7	FUNCTION KNOB	AAD1812	37	FRONT PAD	AHA1336	
	8	STATION KNOB (SX-339)	AAD1982	38	REAR PAD	AHA1337	
	8	STATION KNOB (SX-229)	AAD1810	39	PACKING CASE (SX-339)	AHD2019	
	9	PLATE	AAK1979	39	PACKING CASE (SX-229)	AHD2020	
	10	PANEL (SX-339)	AAK2124	40	SP SWITCH ASSEMBLY		
	10	PANEL (SX-229)	AAK2125				
	11	NAME PLATE (METAL)	AAM1029	41	PACKING SHEET	AHG1016	
	12	CONTROL ASSEMBLY (SX-339)	AWZ3299	42	TERMINAL SCREW		
	12	CONTROL ASSEMBLY (SX-229)	AWZ3307	43	PANEL BASE (SX-339)	AMB1792	
	13	SCREW	ABA-298	43	PANEL BASE (SX-229)	AMB1791	
	14	SCREW (STEEL)	ABA1007	44	INDICATING LENS (SX-339 only)	AMR1160	
	15	SCREW (STEEL)	ABA1009	45	INSULATOR ASSEMBLY	AMR2140	
	16	SCREW (STEEL)	ABA1011	46	CHASSIS		
	17	SCREW (STEEL)	ABA1026	47	FRONT PANEL (SX-339)	ANB1444	
	18	SCREW (STEEL)	ABA1048	47	FRONT PANEL (SX-229)	ANB1445	
	19	SCREW	ABA1052	48	REAR PANEL		
	20	SCREW	ABA1054	49	SCREW (SX-229 only)	BPZ26P080FMC	
	21	SCREW	ABA1082	50	HEAT SINK		
	22	COIL SPRING	ABH1064	51	OPERATING INSTRUCTIONS (English, French, German, Italian, Dutch, Swedish, Spanish, Portuguese)	ARE1182	
	23	NUT	ABN-065	52	SP TERMINAL ASSEMBLY		
Δ	24	AC POWER CORD	ADG1021	53	MOTOR VOL ASSEMBLY (SX-339 only)		
	25	FM ANTENNA	ADH1004	54	TRANSISTOR ASSEMBLY (SX-339 only)		
	26	SPACER		55	REMOTE CONTROL UNIT (CU-SX022),(SX-339 only)	AXD1198	
	27	NYLON BINDER					
	28	PCB SUPPORT					
	29	PCB SUPPORT (SX-339 only)					
	30	BARRIER					

Mark	No.	Description	Parts No.
	56	METAL BONNET	AZN1783
	57	SCREW	BBZ26P080FMC
	58	SCREW	BBZ30P060FZK
	59	SCREW (SX-339 only)	BBZ30P120FZK
	60	SCREW	BDZ30P060FMC
	61	NUT	NK90FUC
	62	BATTERY LID (SX-339 only)	PZN1001
	63	SCREW (SX-339 only)	VMZ30P060FMC
⚠	64	CKA (0.022/AC400V, C1)	ACG1030
⚠	65	FUSE (T2A, FU1) (SX-339)	AEK-511
⚠	65	FUSE (T1A, FU1) (SX-229)	AEK-508
	66	LOOP ANTENNA	ATB1005
⚠	67	TRANSISTOR (Q1) (SX-339)	2SC3181N
⚠	67	TRANSISTOR (Q1) (SX-229)	2SC3180N
⚠	68	TRANSISTOR (Q2) (SX-339)	2SC3181N
⚠	68	TRANSISTOR (Q2) (SX-229)	2SC3180N
⚠	69	TRANSISTOR (Q3) (SX-339)	2SA1264N
⚠	69	TRANSISTOR (Q3) (SX-229)	2SA1263N
⚠	70	TRANSISTOR (Q4) (SX-339)	2SA1264N
⚠	70	TRANSISTOR (Q4) (SX-229)	2SA1263N
⚠	71	POWER TRANSFORMER (T1) (SX-339)	ATS1336
⚠	71	POWER TRANSFORMER (T1) (SX-229)	ATS1337
	72	PCB SUPPORT (SX-229 only)	
	73	PCB SUPPORT (SX-229 only)	
	74	NUT (SX-229 only)	NK70FUC
	75	TRANS ASSEMBLY	
	76	SCREW	ABA1047
	77	PCB HOLDER	
	78	LINE FILTER ASSEMBLY	

PACKING

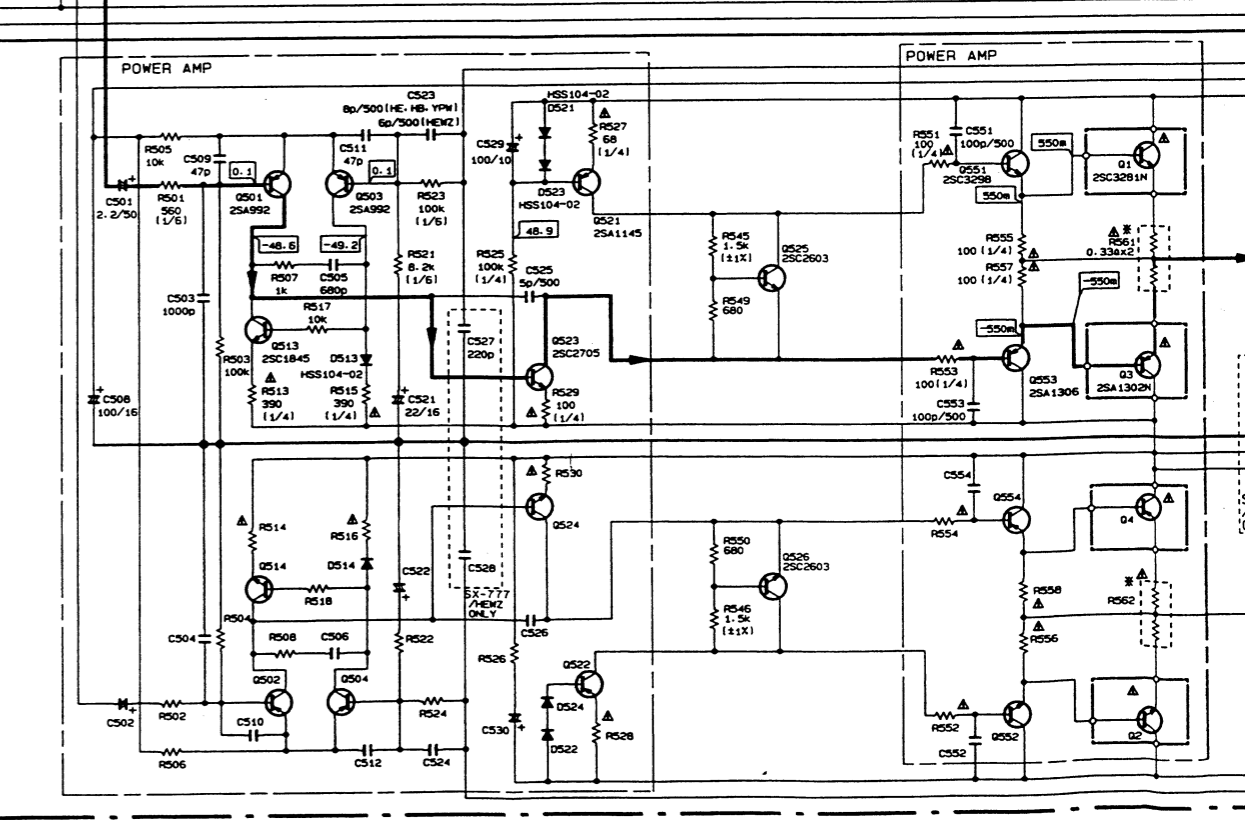
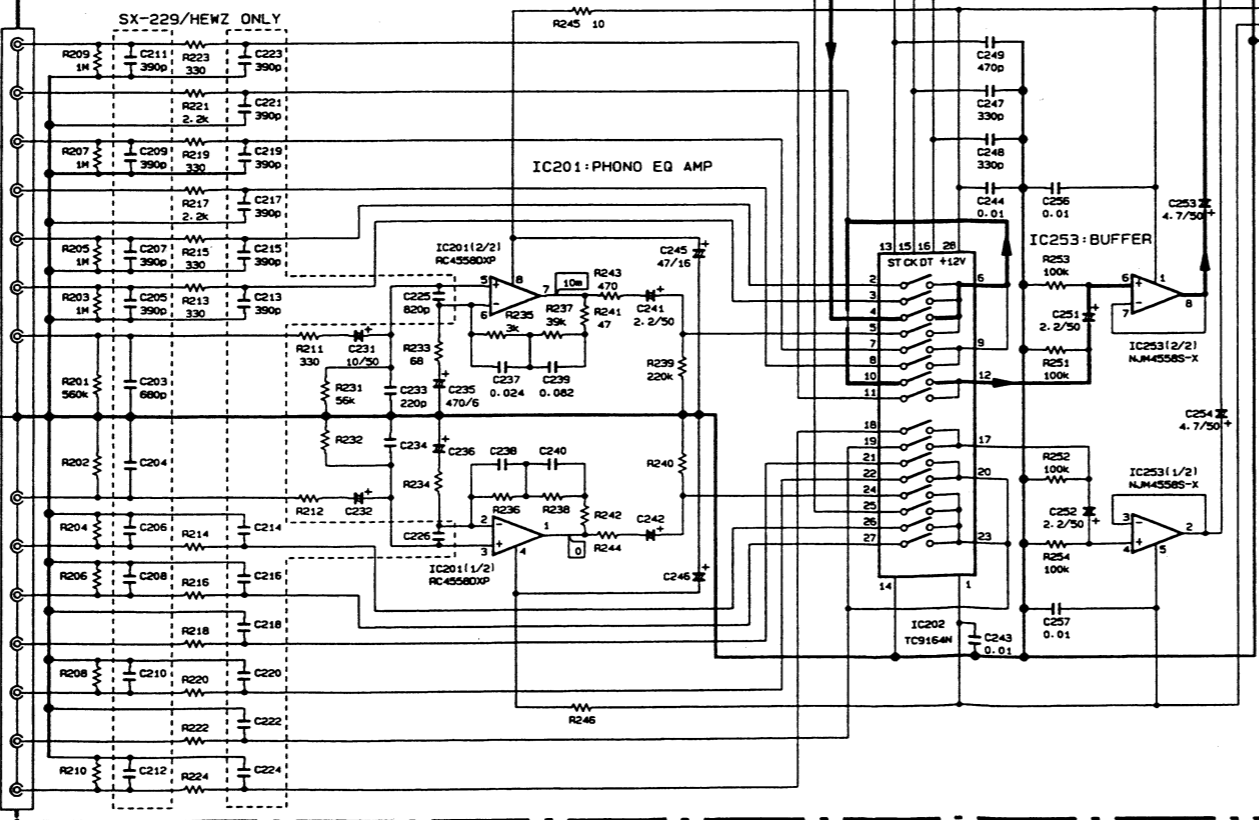
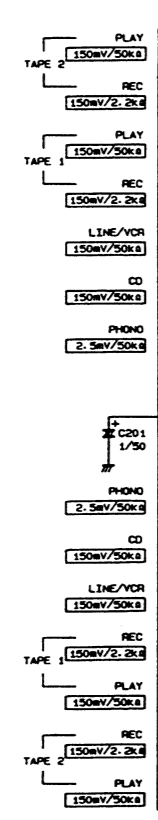
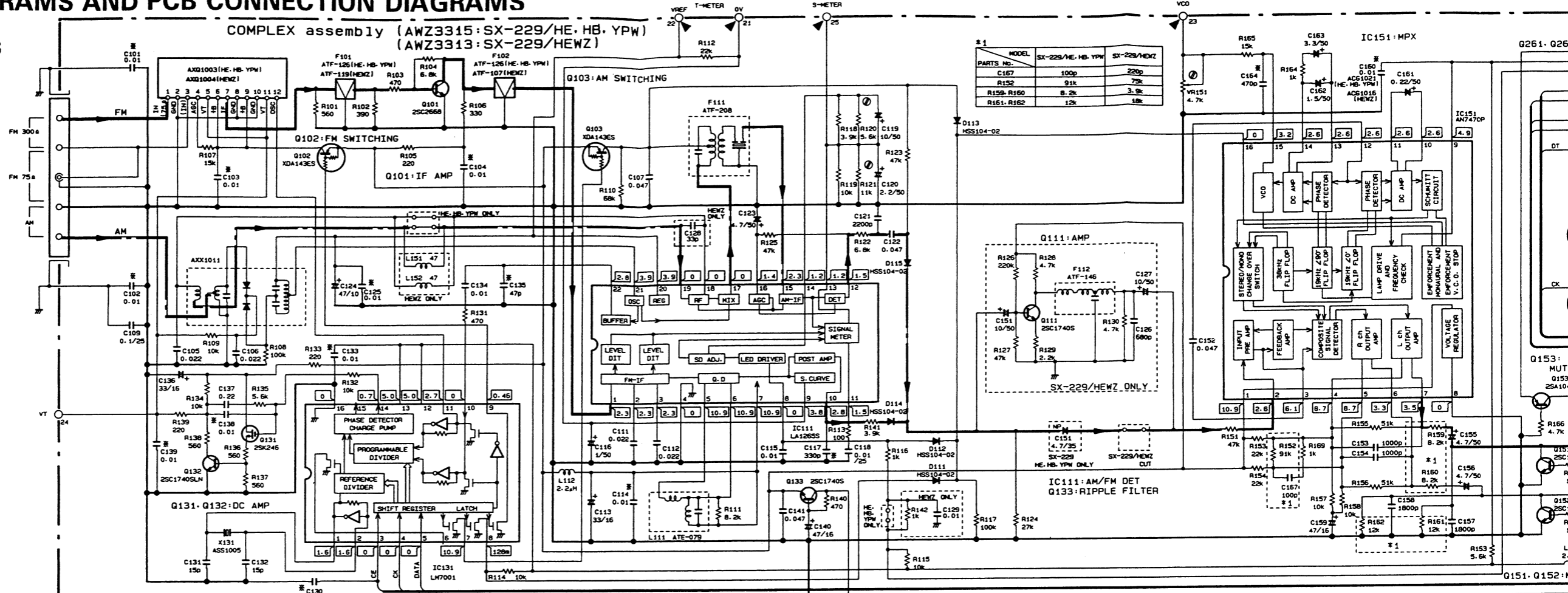


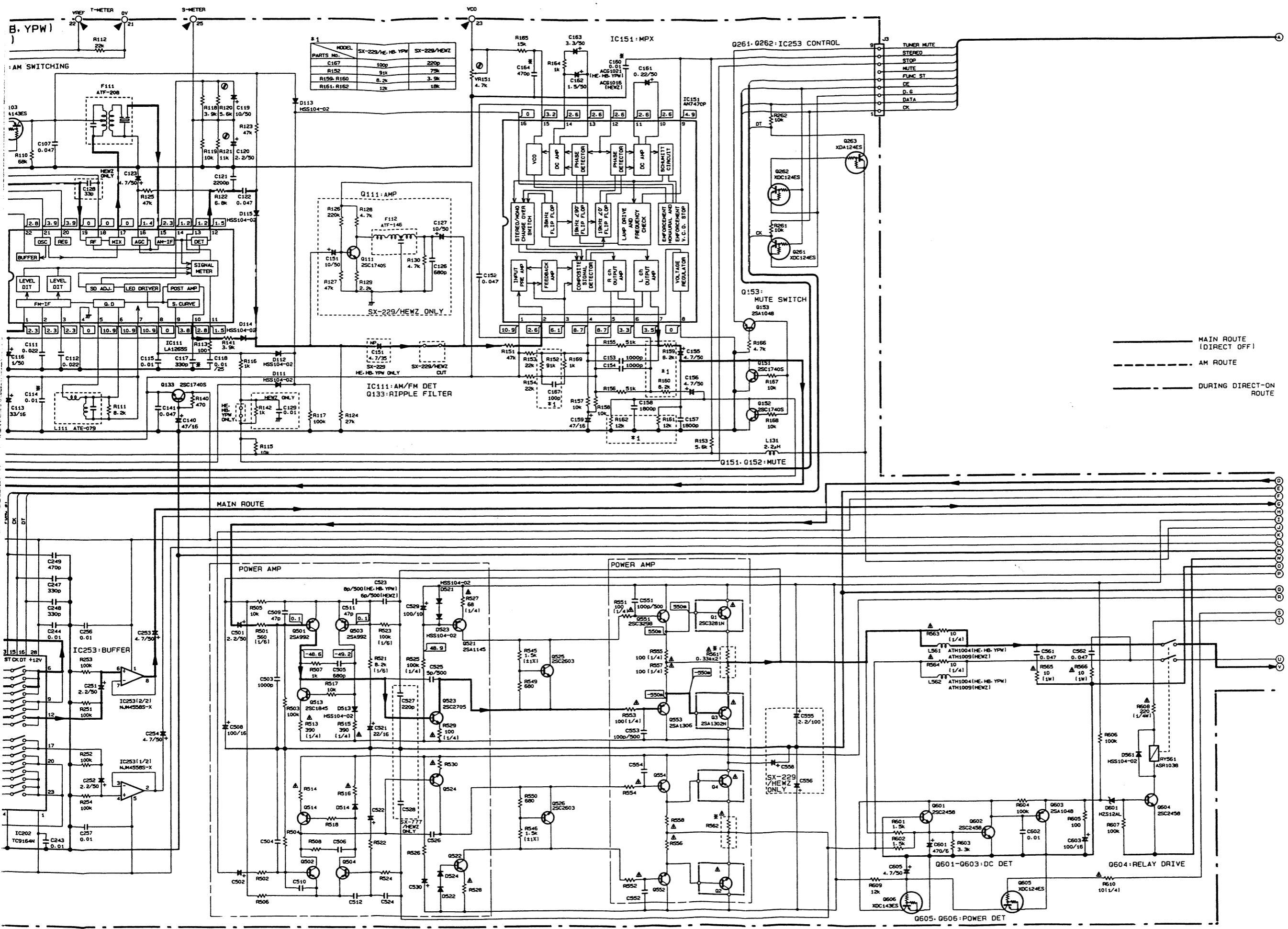
2. SCHEMATIC DIAGRAMS AND PCB CONNECTION DIAGRAMS

2.1 FOR SX-229/HE, HB, YPW AND HEWZ TYPES

COMPLEX assembly (AWZ3315: SX-229/HE, HB, YPW)
(AWZ3313: SX-229/HEWZ)

PARTS NO.	SX-229/HE, HB, YPW	SX-229/HEWZ
C167	1000	2200
R152	91k	72k
R158, R160	8.2k	3.9k
R161, R162	12k	18k





MODEL	Q111: AMP	Q151: Q152: MUTE
PARTS NO.	SX-229/HE, HB, YPW	SX-229/HEWZ
C167	100p	220p
R152	91k	75k
R159, R160	8.2k	3.3k
R161, R162	12k	18k

A

B

C

D

• FOR HE, HB AND YPW TYPES

To SP
(To page 16)

A

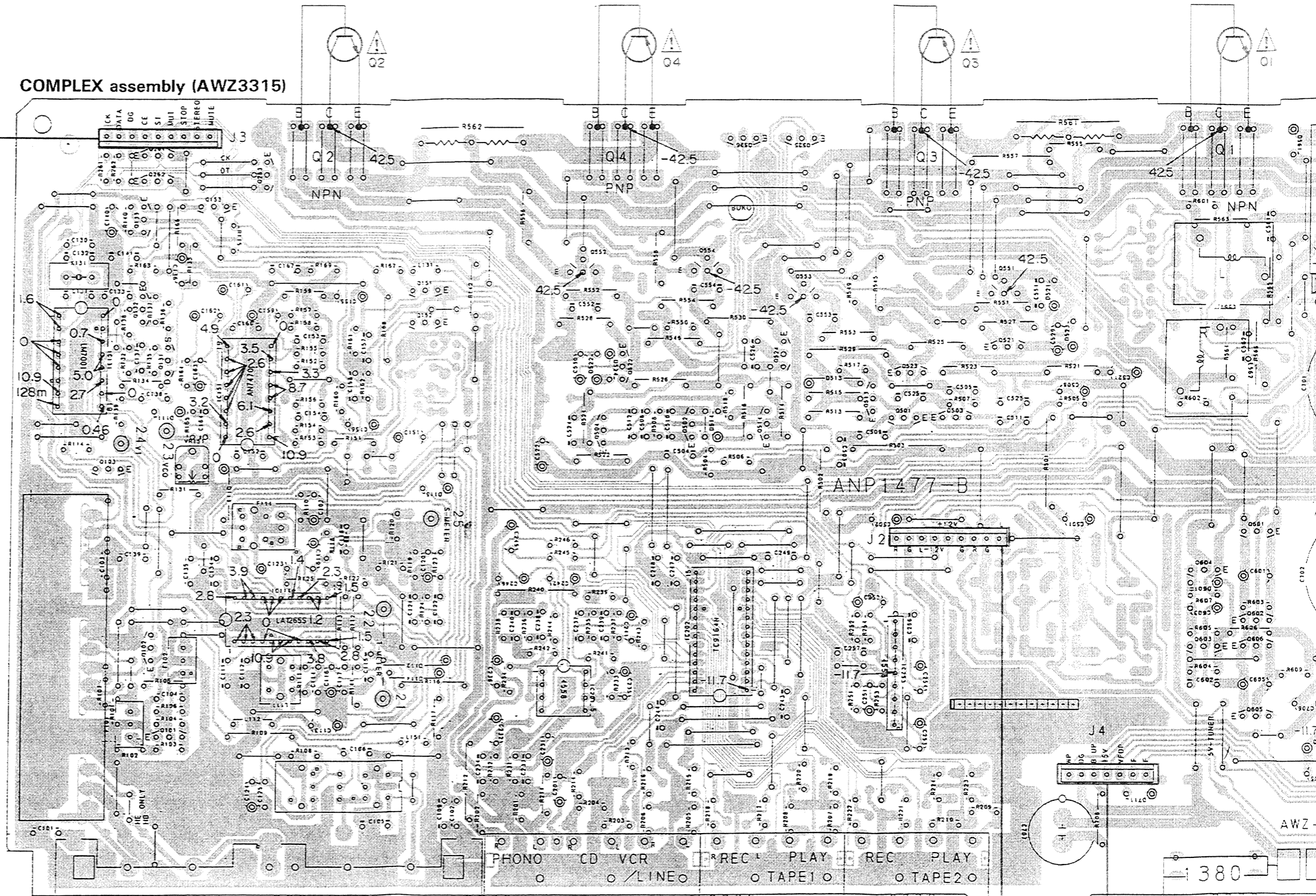
B

C

D

To CONTROL assembly J3
(To page 16)

COMPLEX assembly (AWZ3315)



NOTE

1. This P.C.B. connection diagram is viewed from the parts mounted side.
2. The parts which have been mounted on the board can be replaced with those shown with the corresponding wiring symbols listed in the following Table.

P.C.B. pattern diagram indication	Corresponding part symbol	Part Name
Q204		Transistor
Q215		Radiator type transistor
D203		Diode
R237		Resistor
C513		Capacitor (Polarity)
C518		Capacitor (Non-polarity)

Others

P.C.B. pattern diagram indication	Part Name
IC	IC
S	Switch
RY	Relay
L	Coil
F	Filter
VR	Variable resistor or Semi-fixed resistor

3. The capacitor terminal marked with ⊖ (double circles) shows negative terminal.
4. The diode terminal marked with ⊕ (double circles) shows cathode side.
5. The transistor terminal to which E is affixed shows the emitter.

Q133 Q261 Q262 Q153 Q263 Q2 Q151 Q552 Q4 Q554 Q526 Q525 Q553 Q3 Q551
 Q103 IC131 Q132 Q131 IC151 Q152 Q504 Q522 Q502 Q514 Q524 Q513 Q501 Q523 Q503 Q521 Q1
 Q102 IC111 Q101 IC201 IC202 IC253 Q601-Q606 IC70

To CONTROL assembly J2
(To page 15)

To CONTROL assembly J3
(To page 16)

1

2

3

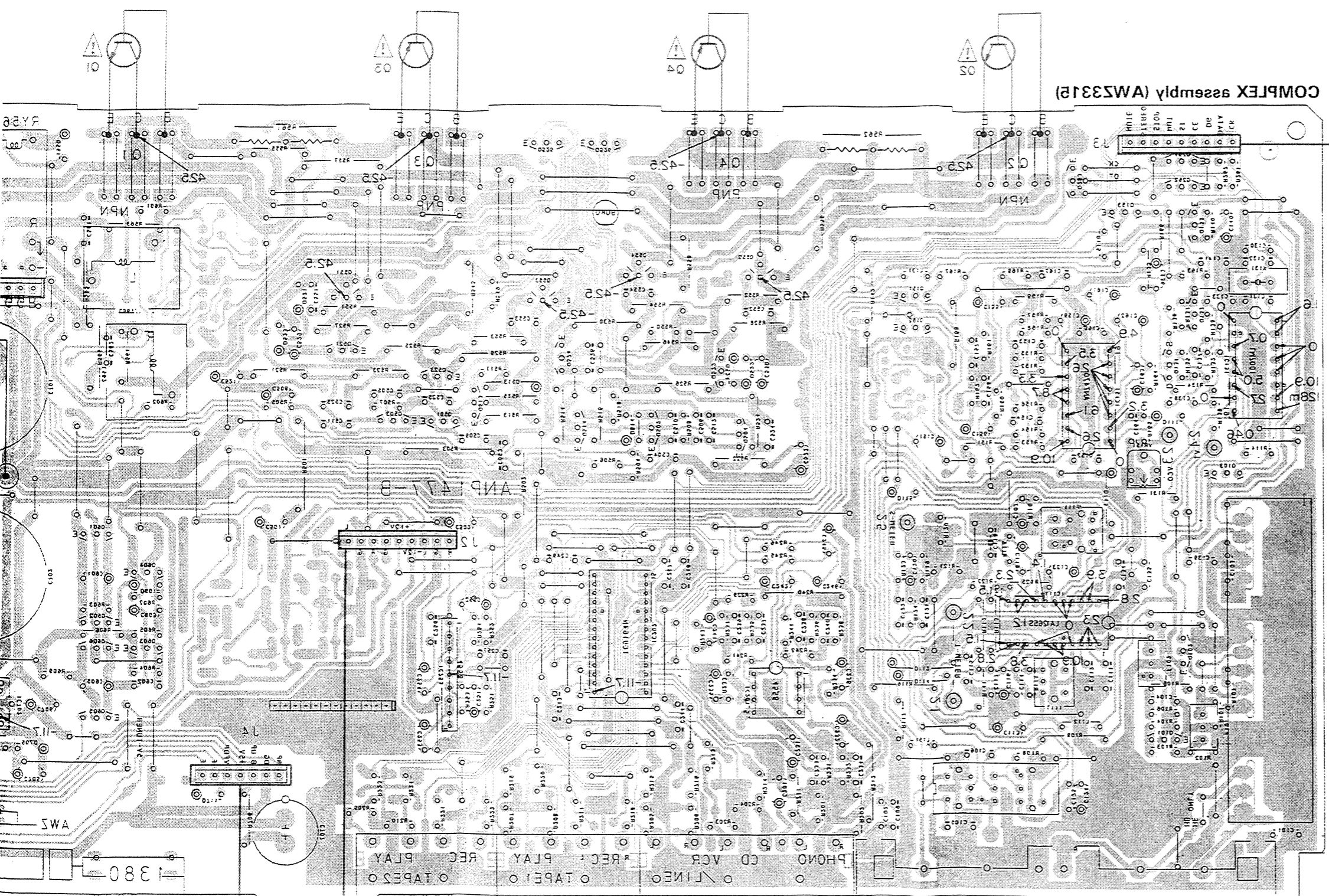
4

5

6

This P.C.B. connection diagram is viewed from the foil side.

(To page 11)
To SW11



COMPLEX assembly (AW2312)

To CONTROL assembly 13
(To page 10)

IC205
0601-0606
To CONTROL assembly 14
(To page 16)

To CONTROL assembly 13
(To page 15)

IC101
IC102
IC103
IC104
IC105
IC111
IC121
IC122
IC123
IC124
IC125
IC126
IC127
IC128
IC129
IC130
IC131
IC132
IC133
IC134
IC135
IC136
IC137
IC138
IC139
IC140
IC141
IC142
IC143
IC144
IC145
IC146
IC147
IC148
IC149
IC150
IC151
IC152
IC153
IC154
IC155
IC156
IC157
IC158
IC159
IC160
IC161
IC162
IC163
IC164
IC165
IC166
IC167
IC168
IC169
IC170
IC171
IC172
IC173
IC174
IC175
IC176
IC177
IC178
IC179
IC180
IC181
IC182
IC183
IC184
IC185
IC186
IC187
IC188
IC189
IC190
IC191
IC192
IC193
IC194
IC195
IC196
IC197
IC198
IC199
IC200

A
B
C
D

• FOR HEWZ TYPE

- As to the other assemblies, refer to "FOR HE, HB AND YPW TYPES"

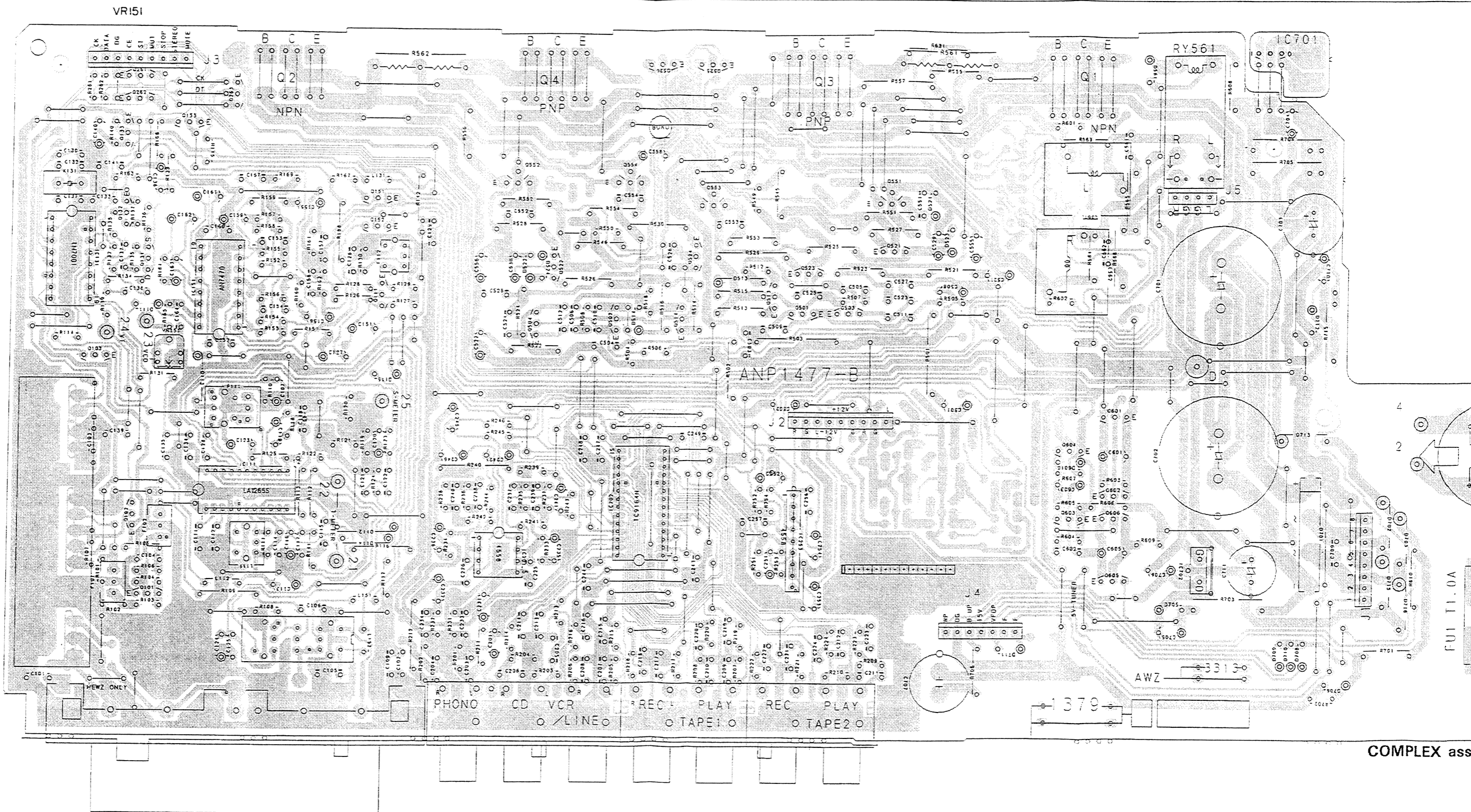
A

Q133 Q261 Q262 Q153 Q263 Q2 Q151 Q552 Q4 Q554 Q526 Q525 Q553 Q3 Q551 Q1 IC701
 Q103 IC131 Q132 Q131 IC151 Q152 Q111 Q504 Q522 Q502 Q514 Q524 Q513 Q501 Q523 Q503 Q521 Q601-Q606
 Q102 IC111 IC201 IC202 IC253 IC702

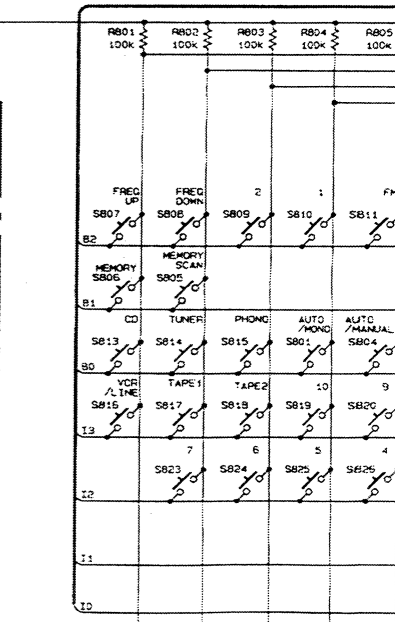
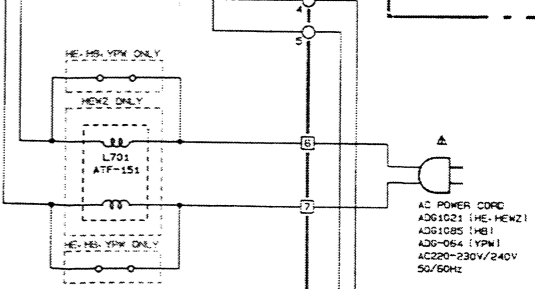
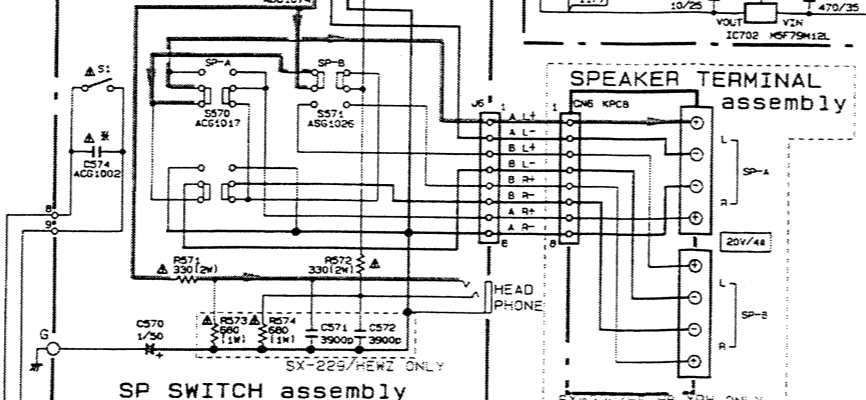
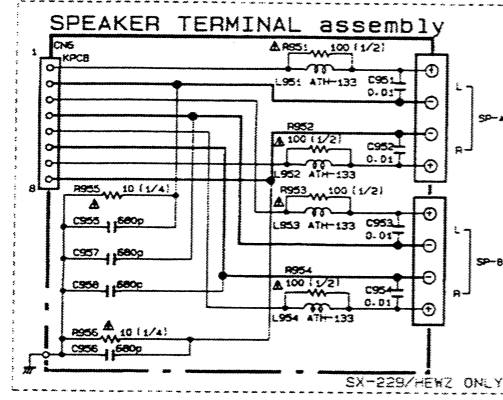
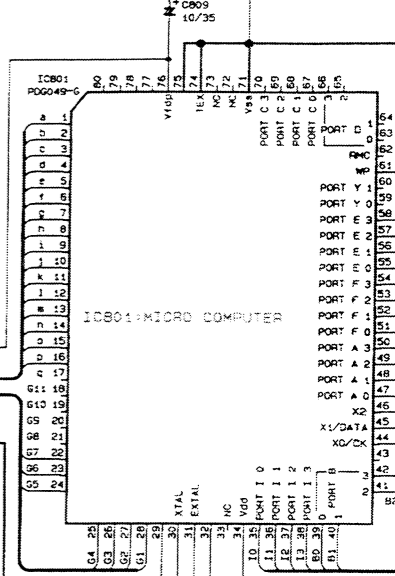
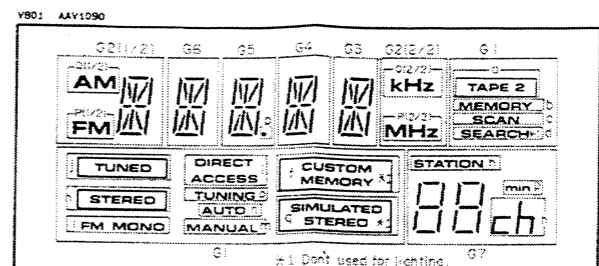
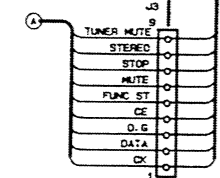
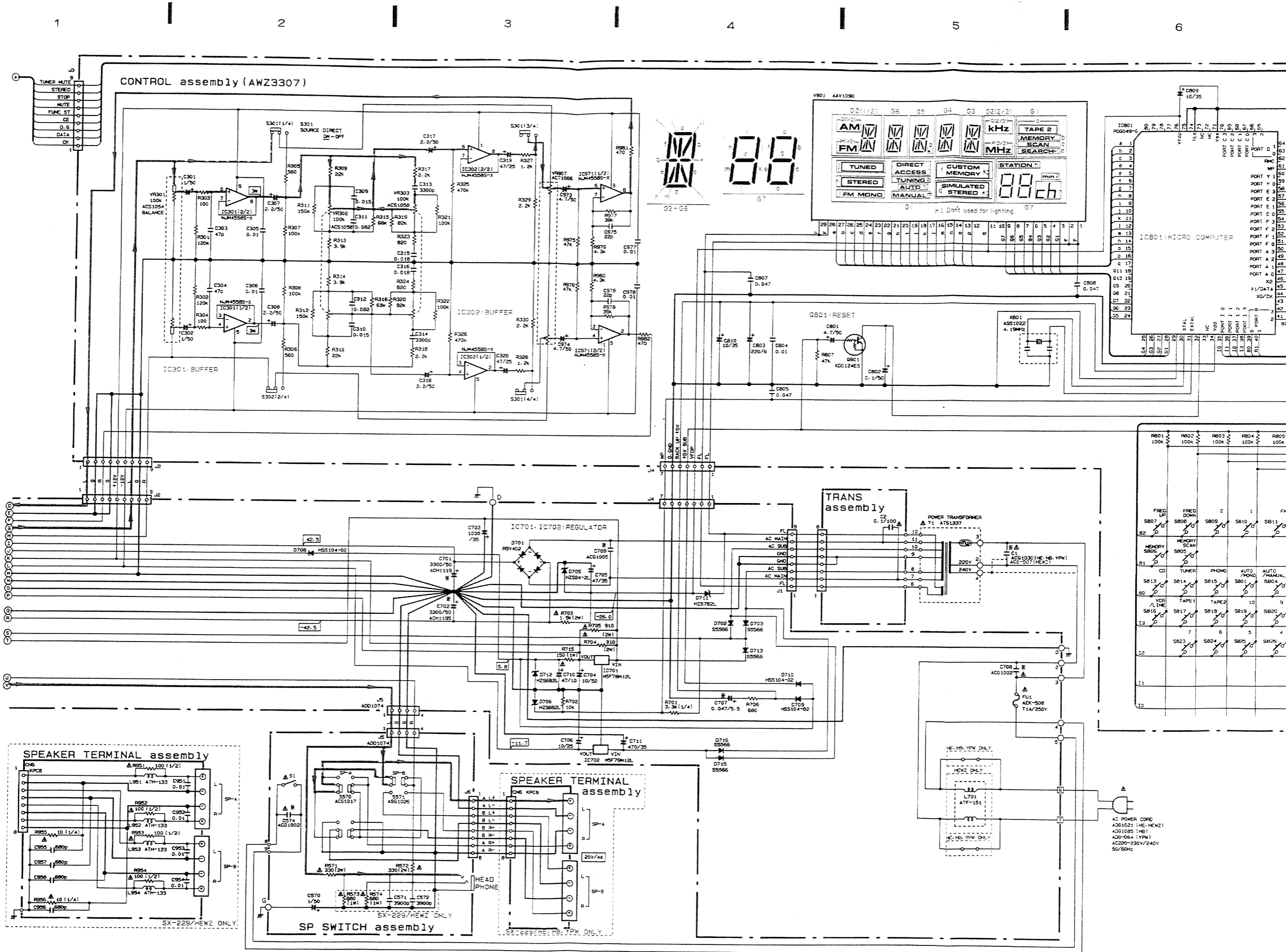
B

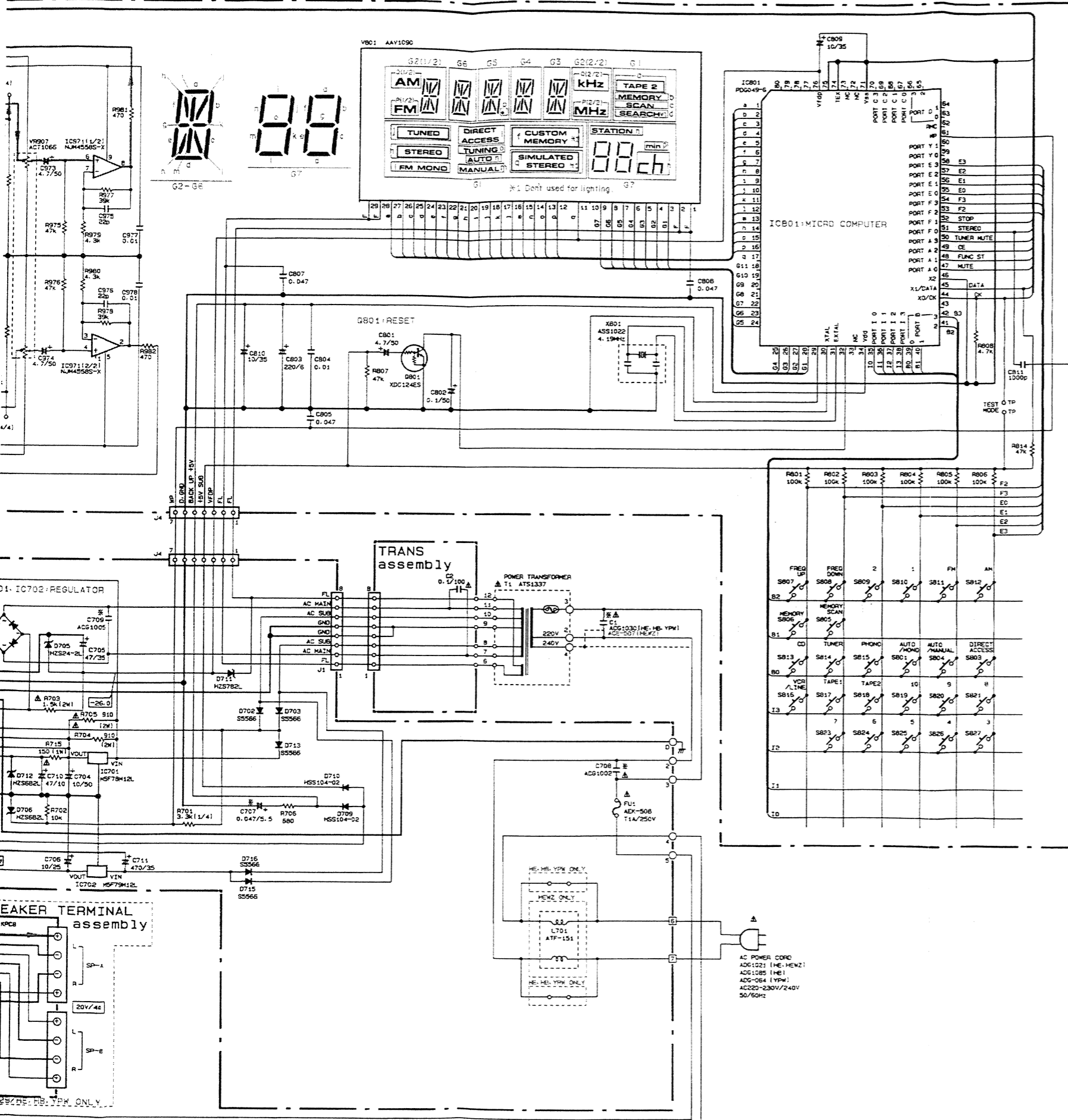
C

D



COMPLEX ass





1. RESISTORS:
Indicated in Ω, ¼W, ½W, ±5% tolerance unless otherwise noted k: kΩ, M: MΩ, (F): ±1%, (G): ±2%, (K): ±10% (M): ±20% tolerance
2. CAPACITORS:
Indicated in capacity (μF)/voltage (V) unless otherwise noted p: pF
Indication without voltage is 50V except electrolytic capacitor.
3. VOLTAGE, CURRENT:
[Symbol]: Signal voltage at (55 W + 55 W 8Ω)output (1kHz)
[Symbol]: DC voltage (V) at no input signal
Value in () is DC voltage at rated power.
[Symbol] mA: DC current at no input signal
4. OTHERS:
[Symbol]: Signal route.
[Symbol]: Adjusting point.
The [Symbol] mark found on some component parts indicates the importance of the safety factor of the part. Therefore, when replacing, be sure to use parts of identical designation.
* marked capacitors and resistors have parts numbers.

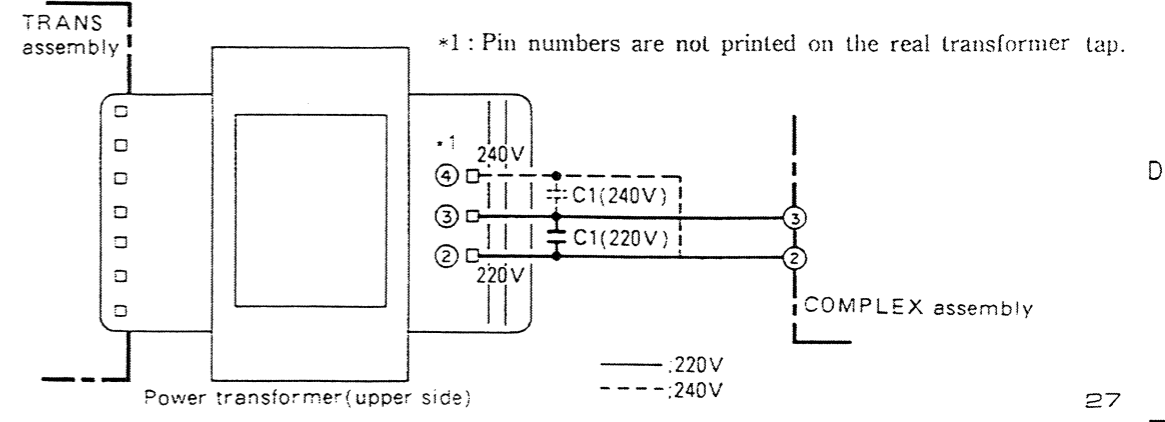
This is the basic schematic diagram, but the actual circuit may vary due to improvements in design.

- SWITCHES:
- SP SWITCH assembly
S1 POWER
S570 SP A ON-OFF
S571 SP B ON-OFF
- CONTROL assembly
S801 FM MODE AUTO/MONO
S803 DIRECT ACCESS
S804 FM TUNING AUTO/MANUAL
S805 MEMOLY SCANS
S806 MEMOLY
S807 FREQ UP
S808 FREQ DOWN
S809 2
S810 1
S811 FM
S812 AM
S813 CD
S814 TUNER
S815 PHONO
S816 VCR/LINE
S817 TAPE 1/DAT
S818 TAPE 2/ADAPTOR
S819 10
S820 9
S821 8
S823 7
S824 6
S825 5
S826 4
S827 3
- S301 DIRECT ON/OFF

Line voltage selection (For HE, HB and HEWZ types)

- Line voltage can be changed with the following steps.
1. Disconnect the AC Power cord.
 2. Remove the top cover.
 3. Change the connection of the power transformer primary taps.
 4. Change the connection to the capacitor (C1) on the primary side of the power transformer.
 5. Stick the line voltage label on the rear panel.

Part No.	Description
AAX-193	220V label
AAX-192	240V label



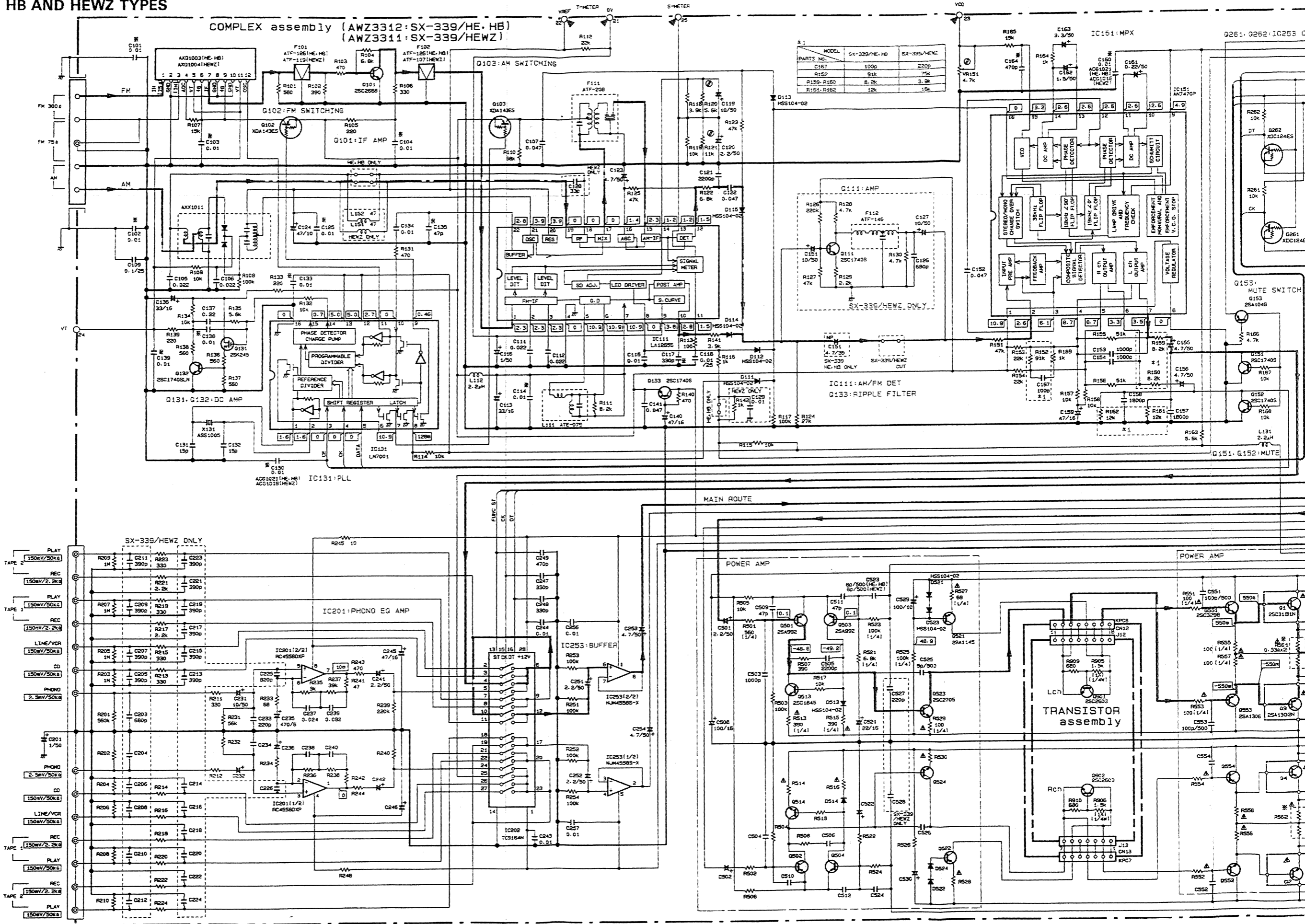
2.2 FOR SX-339/HE, HB AND HEWZ TYPES

A

B

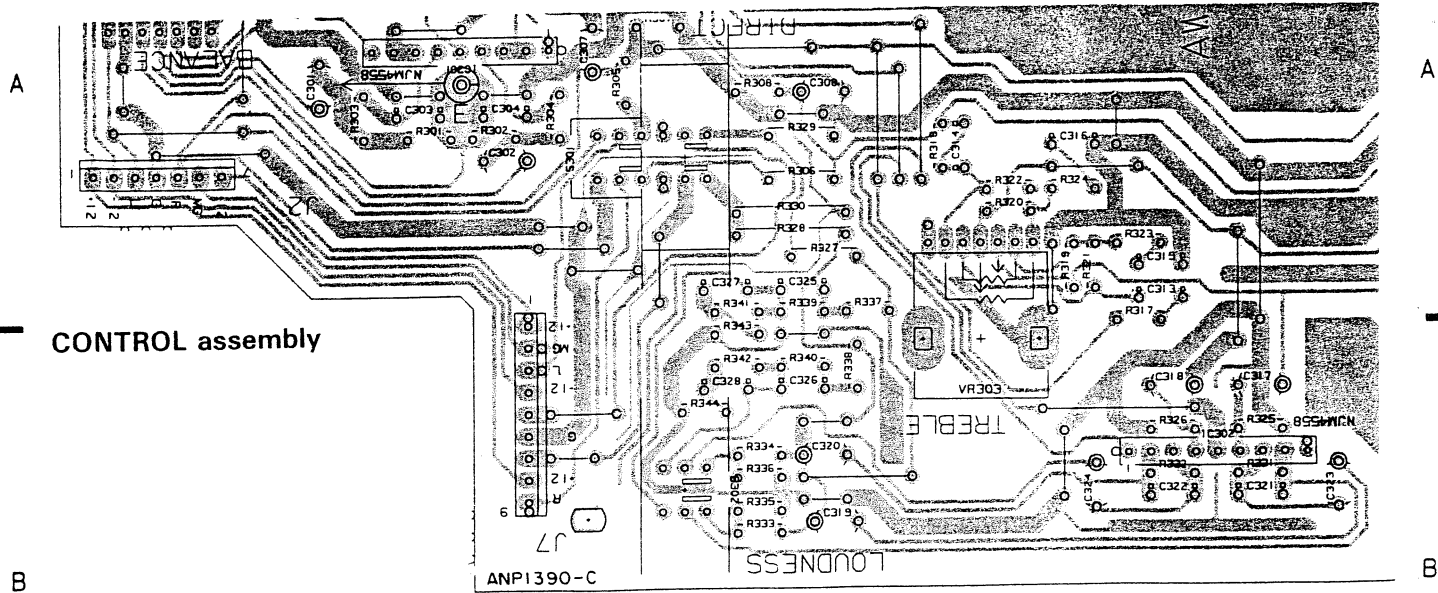
C

D

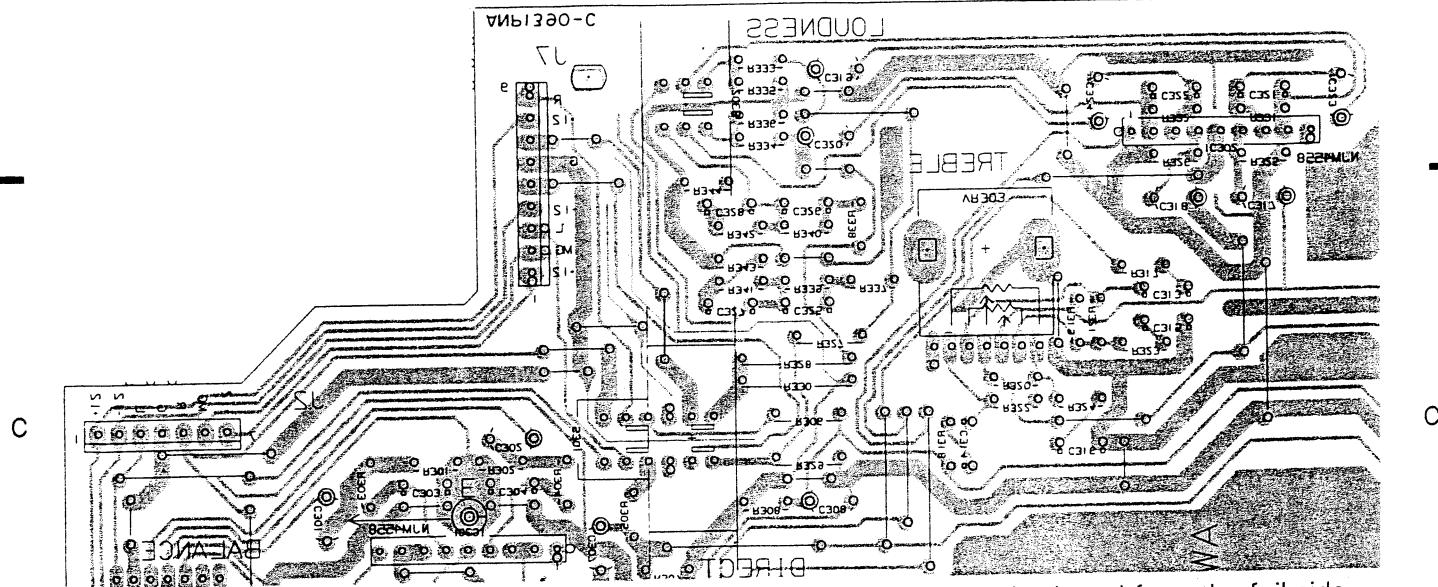


PCB Pattern

The differences in PCB patterns between AWZ4877 and AWZ3299 are as follows.



This PCB connection diagram is viewed from the parts mounted side.



This PCB connection diagram is viewed from the foil side.

NOTE

1. This P.C.B connection diagram is viewed from the parts mounted side.
2. The parts which have been mounted on the board can be replaced with those shown with the corresponding wiring symbols listed in the following Table.
3. The capacitor terminal marked with ⊙ (double circles) shows negative terminal.
4. The diode terminal marked with ⊙ (double circles) shows cathode side.
5. The transistor terminal to which E is affixed shows the emitter.

P.C.B. pattern diagram indication	Corresponding part symbol	Part Name	P.C.B. pattern diagram indication	Corresponding part symbol	Part Name
		Transistor			Resistor
		Radiator type transistor			Capacitor (Polarized)
		Diode			Capacitor (Non-polarized)

Others

P.C.B. pattern diagram indication	Part Name	P.C.B. pattern diagram indication	Part Name
IC	IC	L	Coil
S	Switch	F	Filter
RY	Relay	VR	Variable resistor or Semi-fixed resistor

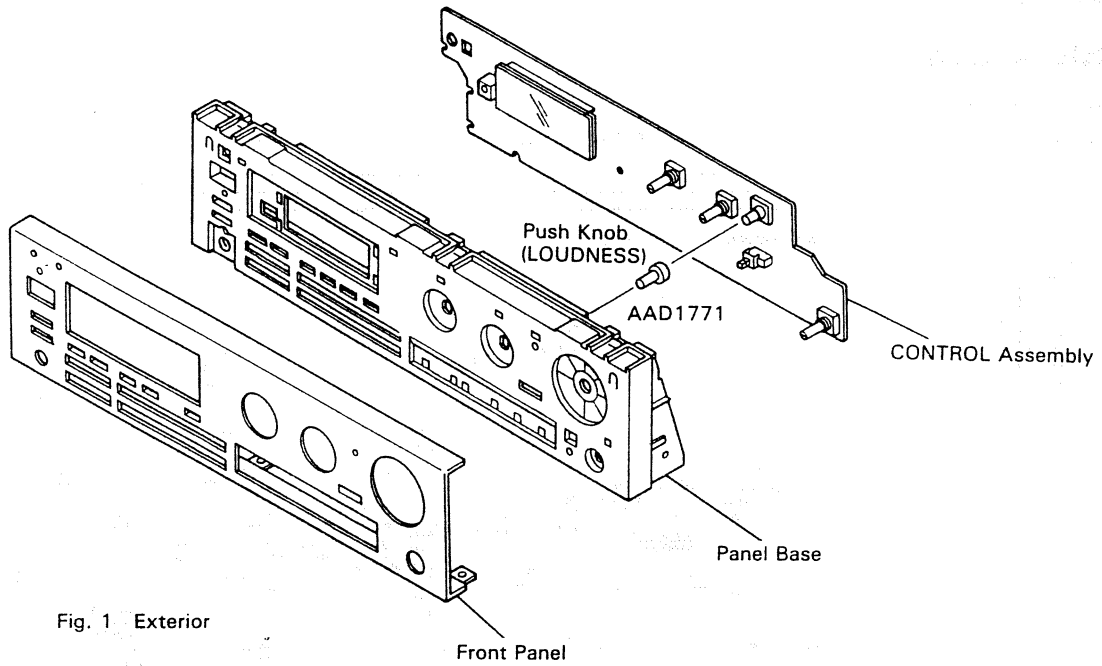


Fig. 1 Exterior

CONTROL ASSEMBLY

AWZ4877 and AWZ3299 have the same construction except for the following :

Mark	Symbol & Description	Part No.		Remarks
		AWZ3299	AWZ4877	
	S302 (LOUDNESS)	ASG1041	
	C321, C322	CCCSL390J50	
	C323, C324	CEAS100M50	
	C325, C326	CFTXA104J50	
	C327, C328	CFTXA823J50	
	R327, R328	RD1/8PM122J	RD1/8PM332J	
	R329, R330	RD1/8PM222J	RD1/8PM821J	
	R331, R332	RD1/8PM154J	
	R333, R334	RD1/8PM332J	
	R335, R336	RD1/8PM182J	
	R337, R338	RD1/8PM392J	
	R339, R340	RD1/8PM223J	
	R341, R342	RD1/8PM152J	
	R343, R344	RD1/8PM122J	

SCHEMATIC DIAGRAM AND PCB PATTERN

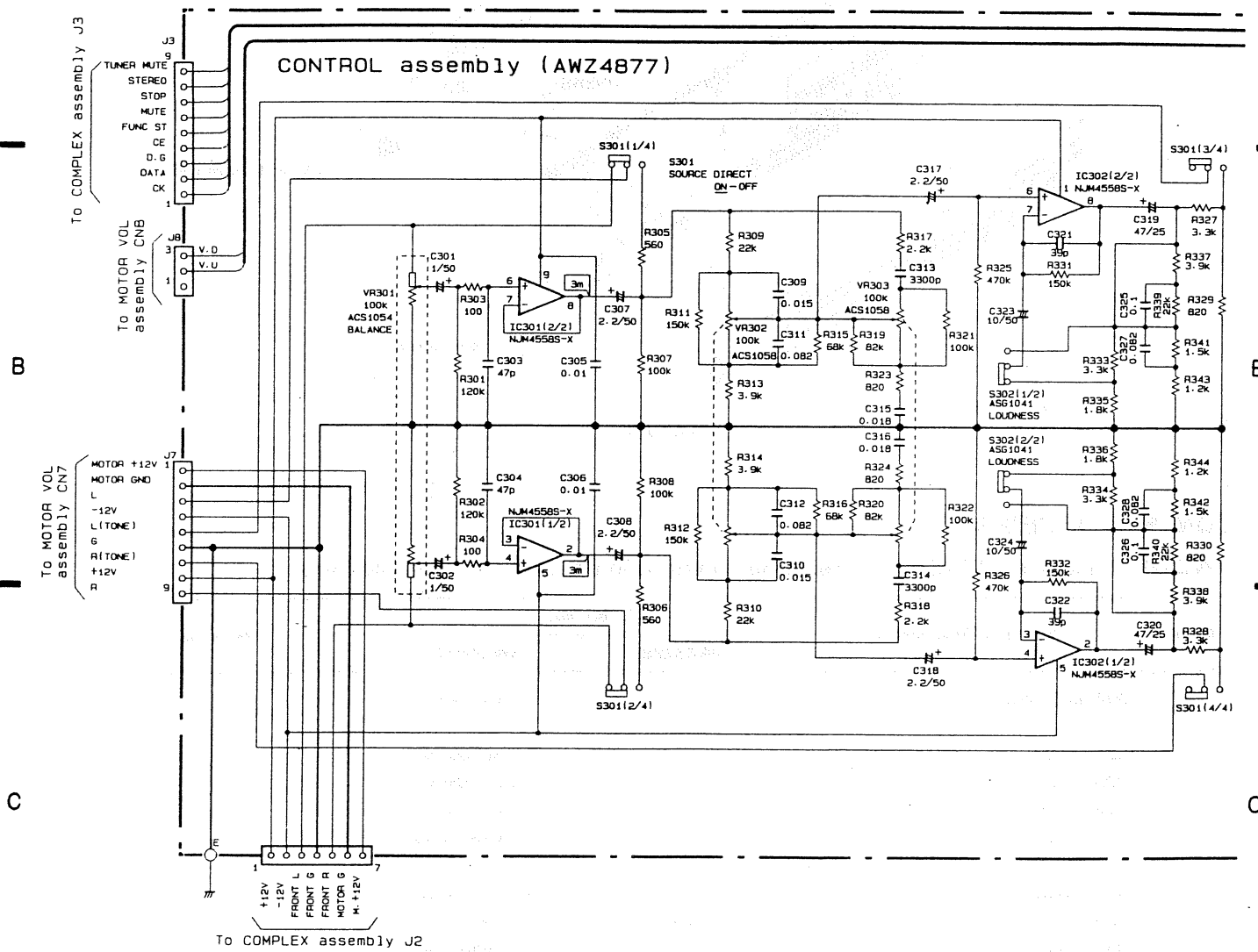
• For assemblies which are different in SX-302/HE, HB, HEWZ and SX-339/HE, the schematic diagram and PCB pattern are shown below.

CONTROL ASSEMBLY

Schematic Diagram

• The differences in schematic diagram between AWZ4877 and AWZ3299 are as follows.

CONTROL assembly (AWZ4877)



Note:

Type 1

1. When ordering service parts, be sure to refer to "PARTS LIST of EXPLODED VIEWS" or "PCB PARTS LIST".
2. Since these are basic circuits, some parts of them or the values of some components may be changed for improvement.
3. RESISTORS:
Unit: k:kΩ, M:MΩ, or Ω unless otherwise noted.
Rated power: 1/4W, 1/6W, 1/8W, 1/10W unless otherwise noted.
Tolerance: (F): ±1%, (G): ±2%, (K): ±10%, (M): ±20% or ±5% unless otherwise noted.
4. CAPACITORS:
Unit: p:pF or μF unless otherwise noted.
Ratings: capacitor (μF)/ voltage (V) unless otherwise noted.
Rated voltage: 50V except for electrolytic capacitors.

5. COILS:
Unit: m:mH or μH unless otherwise noted.
6. VOLTAGE AND CURRENT:
V : Signal voltage at rated output.
V : DC voltage (V) at no input signal unless otherwise noted.
Value in () is DC voltage at rated power.
mV : Signal voltage at FM 1kHz, 100% MOD.
mA or - mA : DC current at no input signal unless otherwise noted.
7. OTHERS:
• : Signal route.
⊙ : Adjusting point.
▼ (Red) : Measurement point.
• The Δ mark found on some component parts indicates the importance of the safety factor of the parts. Therefore, when replacing, be sure to use parts of identical designation.
8. SWITCHES (Underline indicates switch position):

SCH - 1F

CONTROL assembly
S302 LOUDNESS

CONTROL assembly

CONTRAST OF MISCELLANEOUS PARTS

NOTES :

- Parts marked by "NSP" are generally unavailable because they are not in our Master Spare Parts List.
- The Δ mark found on some component parts indicates the importance of the safety factor of the part. Therefore, when replacing, be sure to use parts of identical designation.
- Parts marked by "⊙" are not always kept in stock. Their delivery time may be longer than usual or they may be unavailable.

SX-302/HE, HB, HEWZ and SX-339/HE have the same construction except for the following :

Mark	Symbol & Description	Part No.				Remarks	
		SX-339/HE	SX-302/HE	SX-302/HB	SX-302/HEWZ		
NSP	CONTROL assembly	AWZ3299	AWZ4877	AWZ4877	AWZ4877		
	COMPLEX assembly	AWZ3312	AWZ3312	AWZ3312	AWZ3311 *		
	SP SWITCH assembly	AWZ3007	AWZ3307	AWZ3307	AWZ3000 *		
NSP	SP TERMINAL assembly	AWZ3306	AWZ3306	AWZ3306	AWZ3302 *		
NSP	LINE FILTER assembly	AWZ3002 *		
Δ	C1 capacitor (0.1)	ACE-507 *		
Δ	C1 capacitor (0.022)	ACG1030	ACG1030	ACG1030		
Δ	AC power cord	ADG1021	ADG1049	ADG1118	ADG1049		For AC power cord
Δ	Strain relief	AEC-882	AEC-882	AEC-882		
NSP	Front panel	ANB1444	ANB1565	ANB1565	ANB1565		Refer to Fig. 1
	Rear panel	ANC1679	ANC2086	ANC2086	ANC2085		
	Panel	AAK2124	AAK2477	AAK2477	AAK2477		
	Name plate	AAM1029	VAM1032	VAM1032	VAM1032		
	Push knob (LOUDNESS)	AAD1771	AAD1771	AAD1771		
	Function knob	AAD1812	AAD2454	AAD2454	AAD2454		
	Screw (EARTH)	ABA1047 *		
	PCB holder	ANG1062 *		
	Packing case	AHD2019	AHD2647	AHD2603	AHD2647		
	Remote control unit (CU-SX022)	AXD1198		
Remote control unit (CU-SX070)	AXD1364	AXD1364	AXD1364			
FM antenna assembly	ADH1002 *			
FM antenna	ADH1004	ADH1004	ADH1004			
Operating instructions (English, French, German, Italian, Dutch, Swedish, Spanish, Portuguese)	ARE1182	ARE1286			
Operating instructions (English)	ARB1445			
Operating instructions (German)	ARC1435			

Note : All the assemblies and the parts with * are the same as those of SX-339/HEWZ type in the service manual ARP2223 for SX-339. Therefore, refer to SX-339/HEWZ type.

-R352

4107

 **PIONEER**
The Art of Entertainment

Service Manual

ORDER NO.
ARP2772

STEREO RECEIVER

SX-302

HE, HB, HEWZ

- Refer to the service manual ARP2223 for SX-339/HE.
- This manual is applicable to SX-302/HE, HB and HEWZ.

PIONEER ELECTRONIC CORPORATION 4-1, Meguro 1-Chome, Meguro-ku, Tokyo 153, Japan
PIONEER ELECTRONICS SERVICE INC. P.O. Box 1760, Long Beach, California 90801 U.S.A.
PIONEER ELECTRONICS OF CANADA, INC. 300 Allstate Parkway Markham, Ontario L3R 0P2 Canada
PIONEER ELECTRONIC [EUROPE] N.V. Haven 1087 Keetberglaan 1, 9120 Melsele, Belgium
PIONEER ELECTRONICS AUSTRALIA PTY. LTD. 178-184 Boundary Road, Braeside, Victoria 3195, Australia TEL: [03] 580-9911

4109

• FOR HE AND HB TYPES

NOTE

1. This P.C.B. connection diagram is viewed from the parts mounted side.
2. The parts which have been mounted on the board can be replaced with those shown with the corresponding wiring symbols listed in the following Table.

P.C.B. pattern diagram indication	Corresponding part symbol	Part Name
		Transistor
		Radiator type transistor
		Diode
		Resistor
		Capacitor (Polarity)
		Capacitor (Non-polarity)

Others

P.C.B. pattern diagram indication	Part Name
IC	IC
S	Switch
RY	Relay
L	Coil
F	Filter
VR	Variable resistor or Semi-fixed resistor

3. The capacitor terminal marked with ⊕ (double circles) shows negative terminal.
4. The diode terminal marked with ⊕ (double circles) shows cathode side.
5. The transistor terminal to which E is affixed shows the emitter.

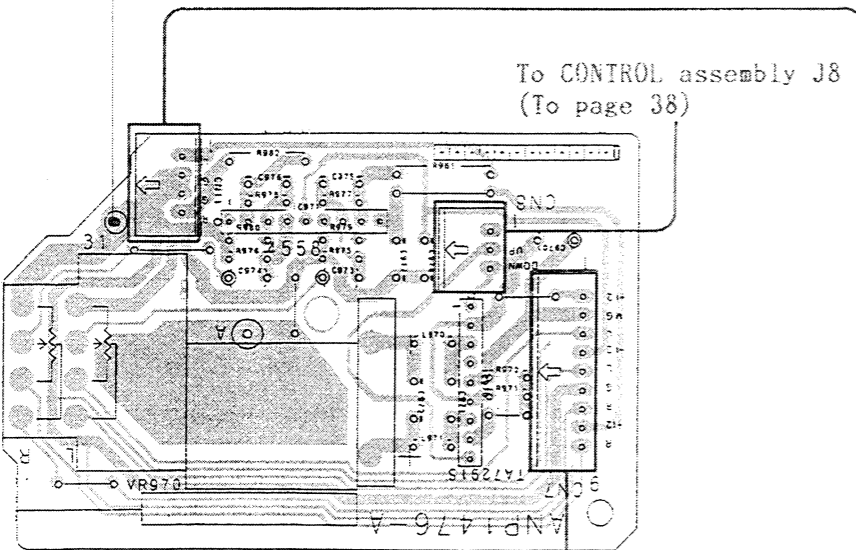
TRANSISTOR assembly

To SP SWITCH assembly J5
(To page 37)

To CONTROL assembly J3
(To page 38)

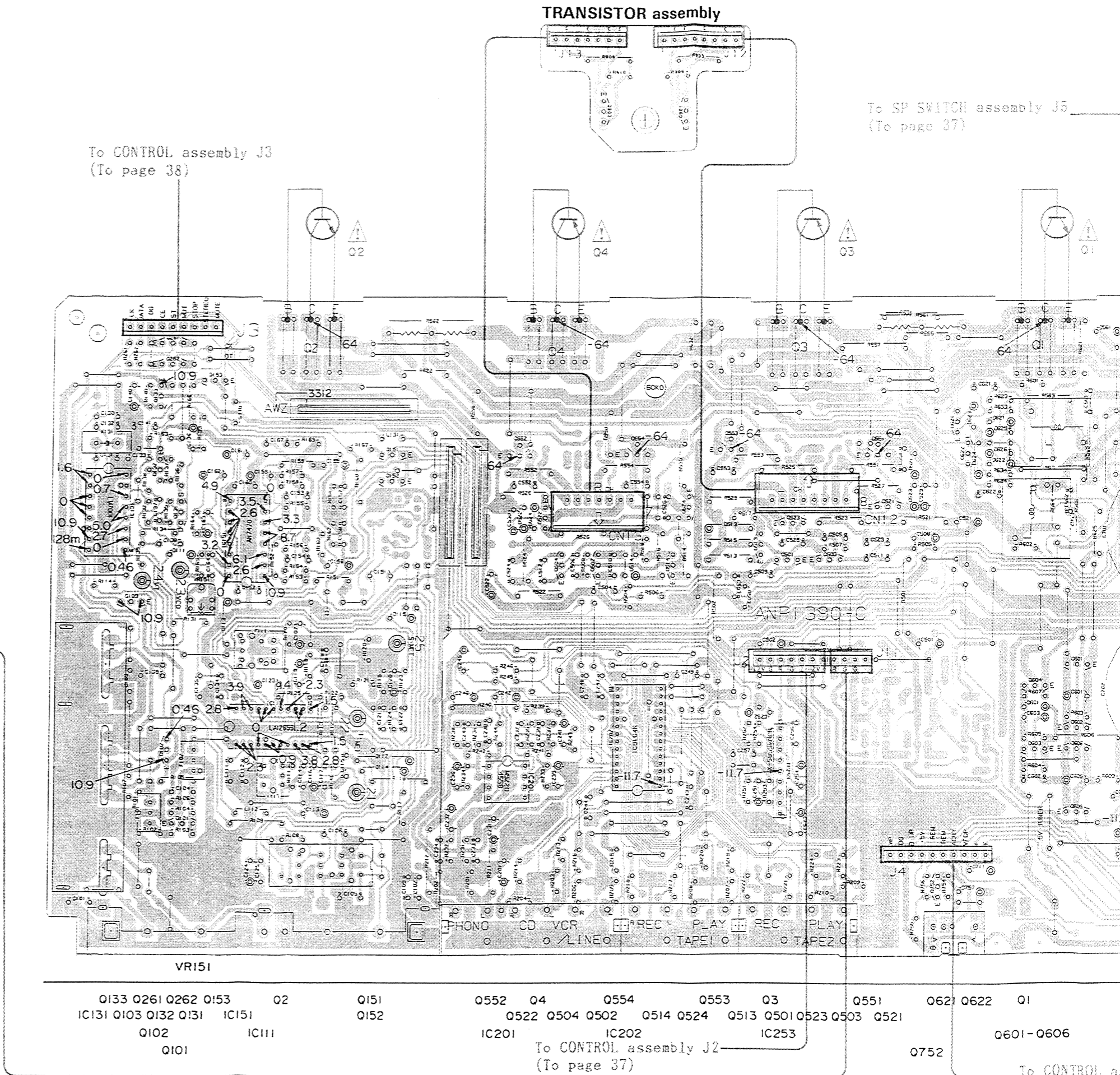
To CONTROL assembly E
(To page 37)

To CONTROL assembly J8
(To page 38)



MOTOR VOL assembly

To CONTROL assembly J7
(To page 37)



Q133 Q261 Q262 Q153 Q2 Q151 Q552 Q4 Q554 Q553 Q3 Q551 Q621 Q622 Q1
 IC131 Q103 Q132 Q131 IC151 Q152 Q522 Q504 Q502 Q514 Q524 Q513 Q501 Q523 Q503 Q521 Q601-Q606
 Q102 IC111 IC201 IC202 IC253
 Q101 To CONTROL assembly J2 (To page 37) 0752

To CONTROL assembly J3
(To page 38)

4

5

6

7

8

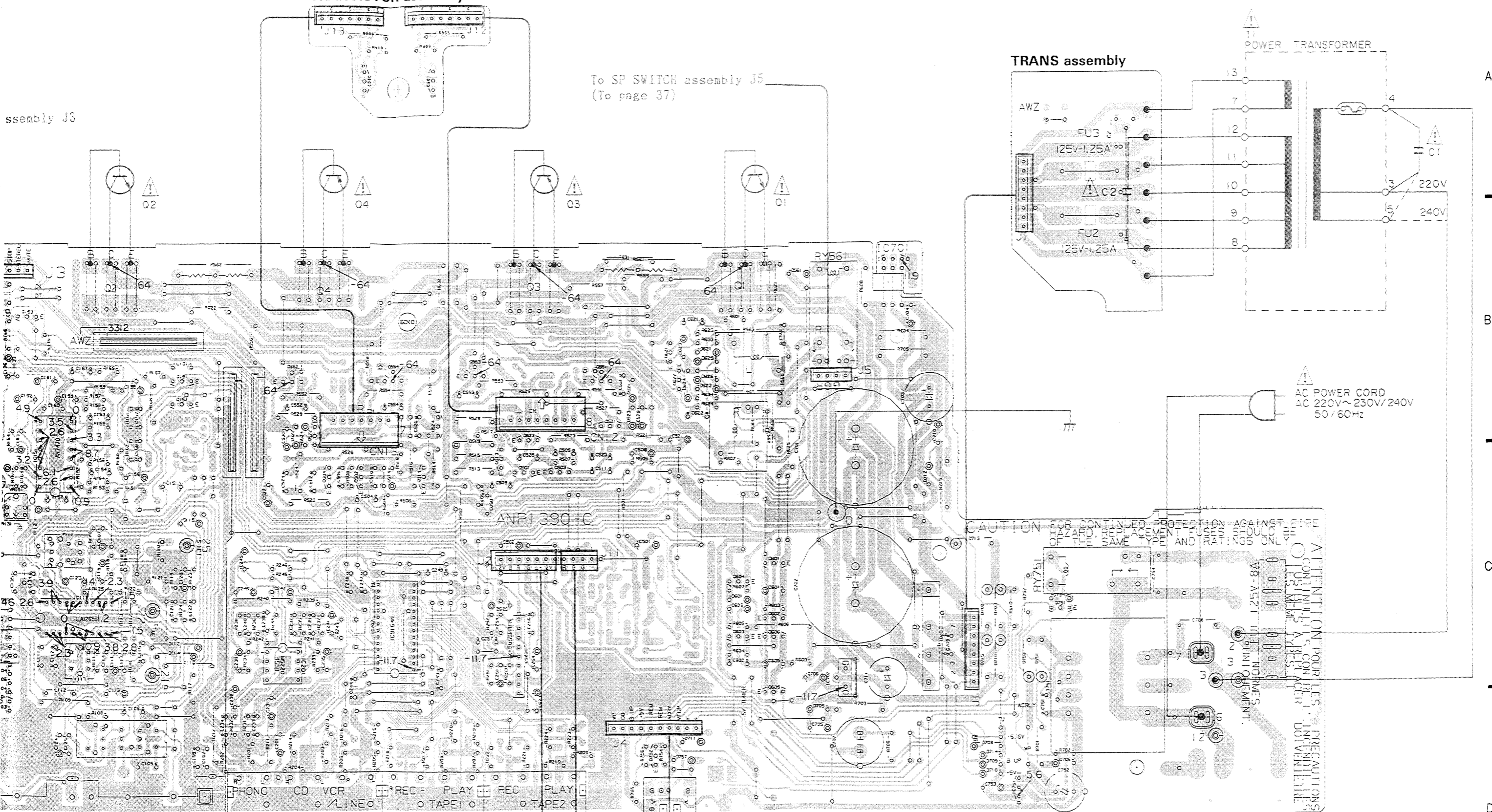
TRANSISTOR assembly

To SP SWITCH assembly J5
(To page 37)

TRANS assembly

POWER TRANSFORMER

assembly J3



IC751

COMPLEX assembly (AWZ3312)

Q153 Q2 Q151 Q552 Q4 Q554 Q553 Q3 Q551 Q621 Q622 Q1 IC701
 Q131 IC151 Q152 Q522 Q504 Q502 Q514 Q524 Q513 Q501 Q523 Q503 Q521
 IC111 IC201 IC202 IC253
 To CONTROL assembly J2
(To page 37)

Q752 Q601-Q606 IC702 IC751 Q751
 To CONTROL assembly J4
(To page 38)

4

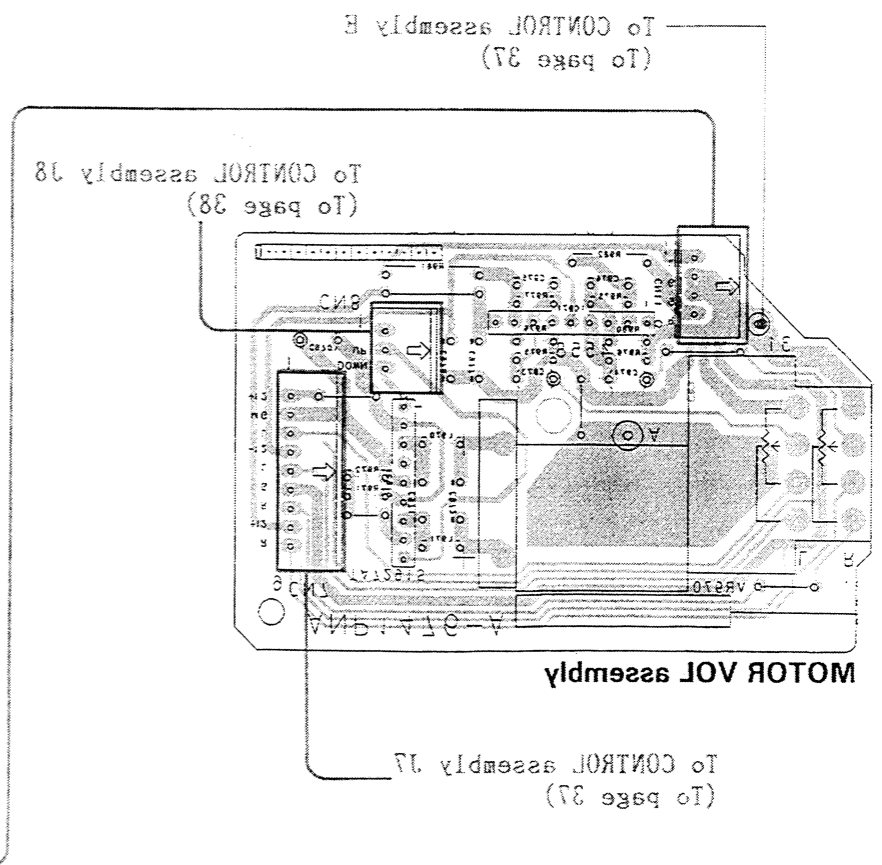
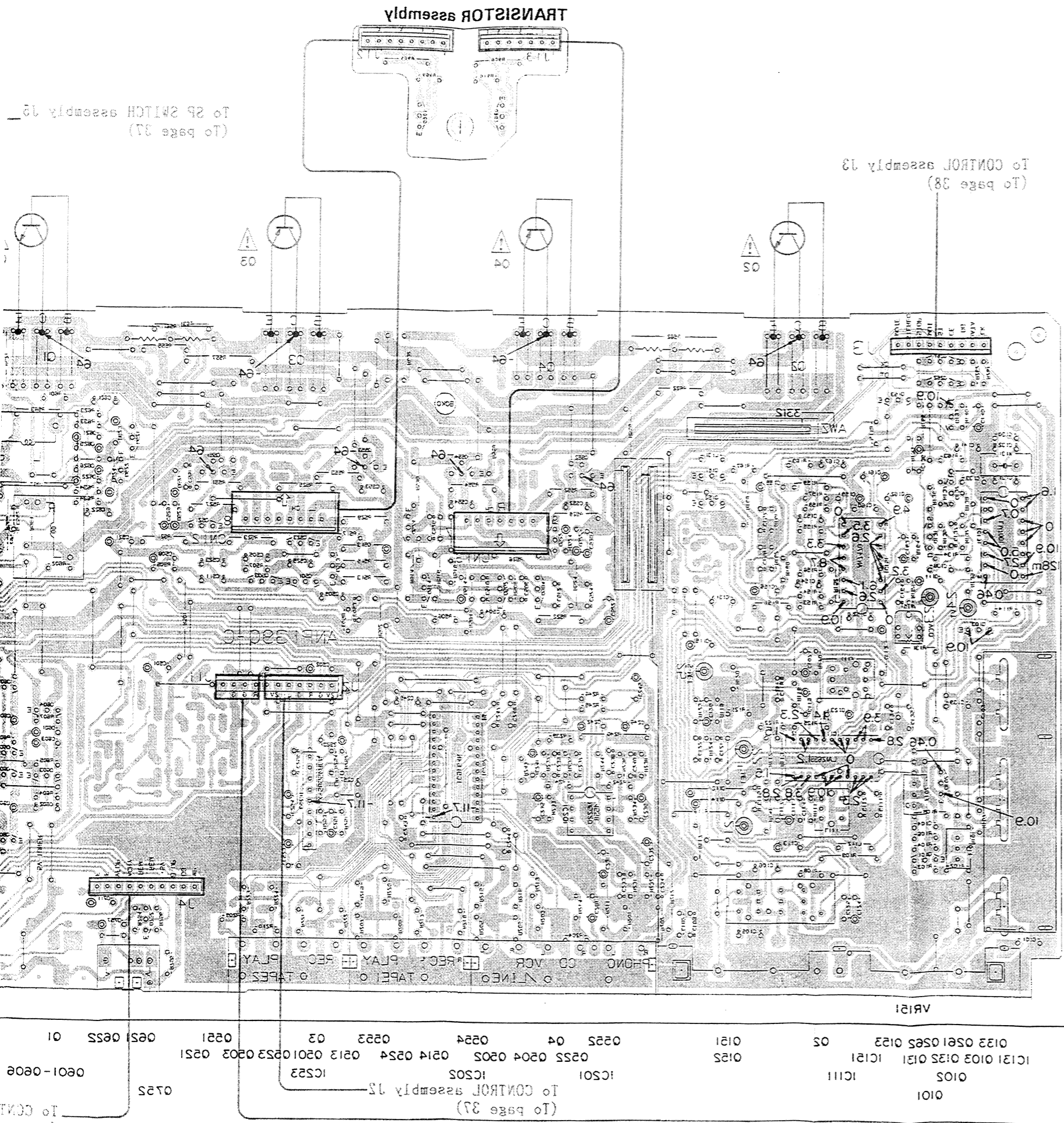
5

6

7

8

9



To SP SWITCH assembly 16 (To page 37)

A

B

C

D



1

2

3

4

5

To COMPLEX assembly J5
(To page 33)

NOTE

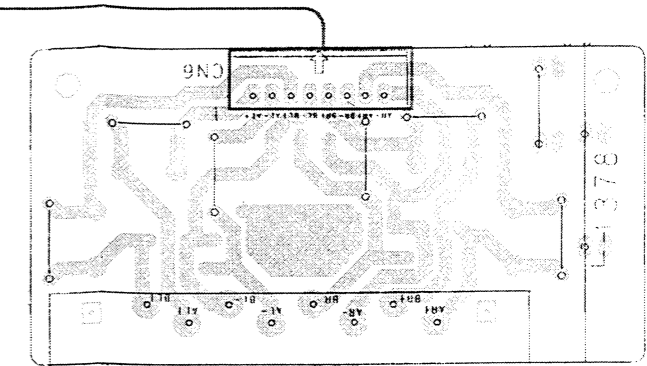
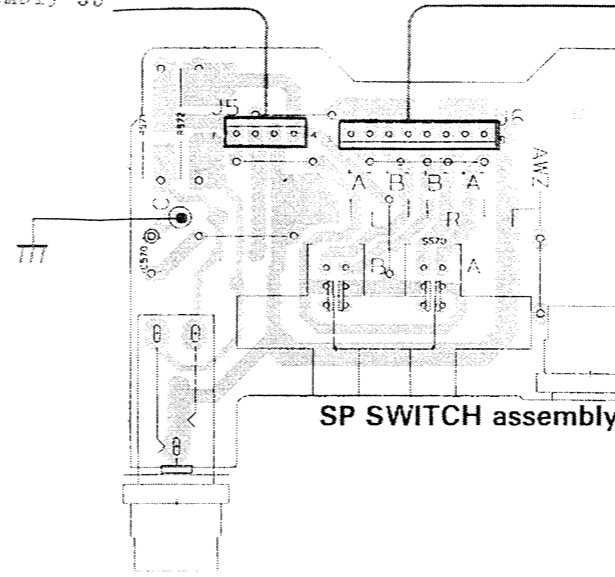
1. This P.C.B. connection diagram is viewed from the parts mounted side.
2. The parts which have been mounted on the board can be replaced with those shown with the corresponding wiring symbols listed in the following Table.

P.C.B. pattern diagram indication	Corresponding part symbol	Part Name
		Transistor
		Radiator type transistor
		Diode
		Resistor
		Capacitor (Polarity)
		Capacitor (Non-polarity)

Others

P.C.B. pattern diagram indication	Part Name
IC	IC
S	Switch
RY	Relay
L	Coil
F	Filter
VR	Variable resistor or Semi-fixed resistor

3. The capacitor terminal marked with ⊕ (double circles) shows negative terminal.
4. The diode terminal marked with ⊕ (double circles) shows cathode side.
5. The transistor terminal to which E is affixed shows the emitter.

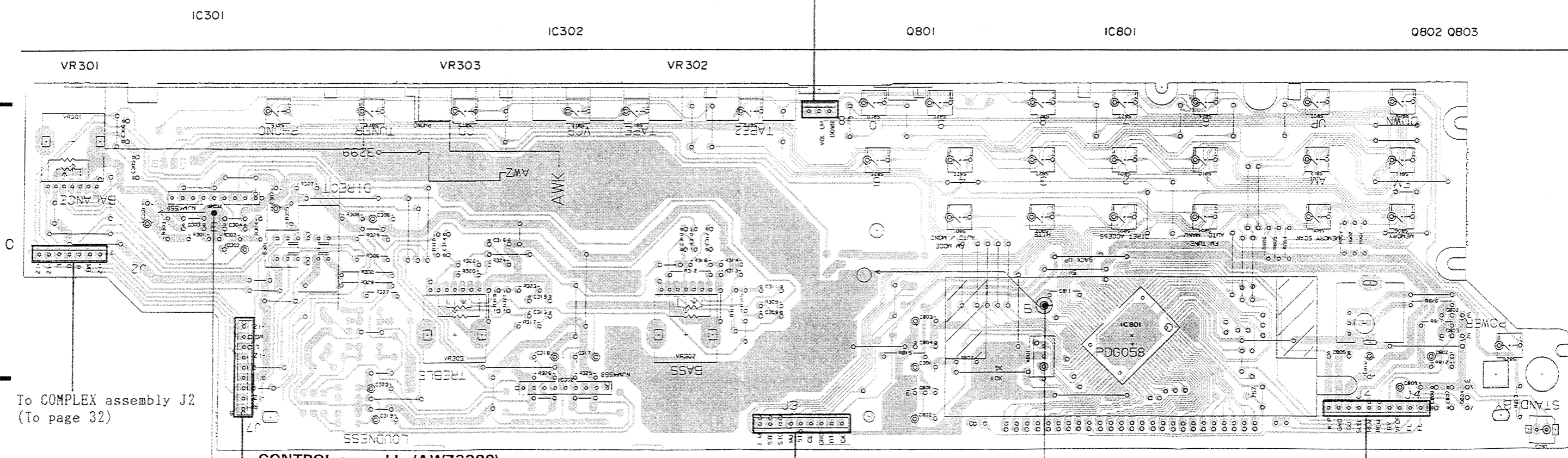


SP SWITCH assembly

SP TERMINAL assembly

To MOTOR VOL. assembly CN8
(To page 31)

B



To COMPLEX assembly J2
(To page 32)

CONTROL assembly (AWZ3299)

To MOTOR VOL assembly CN7
(To page 31)

To MOTOR VOL assembly 31
(To page 31)

To COMPLEX assembly J3
(To page 31)

To COMPLEX assembly J4
(To page 32)

1

2

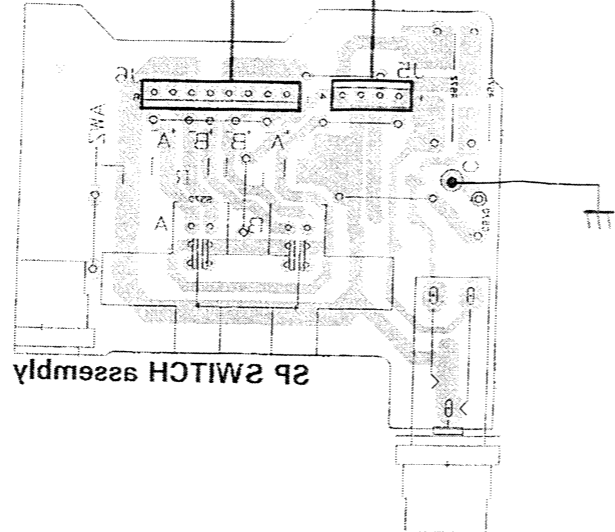
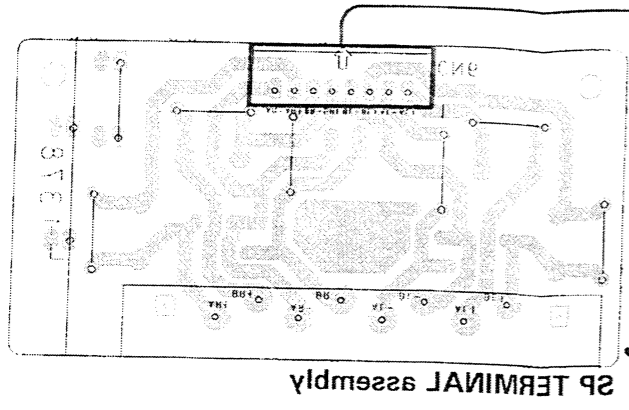
3

4

5

6

A



To COMPLEX assembly 12
(To page 33)

B

To MOTOR VOL assembly CM8
(To page 31)

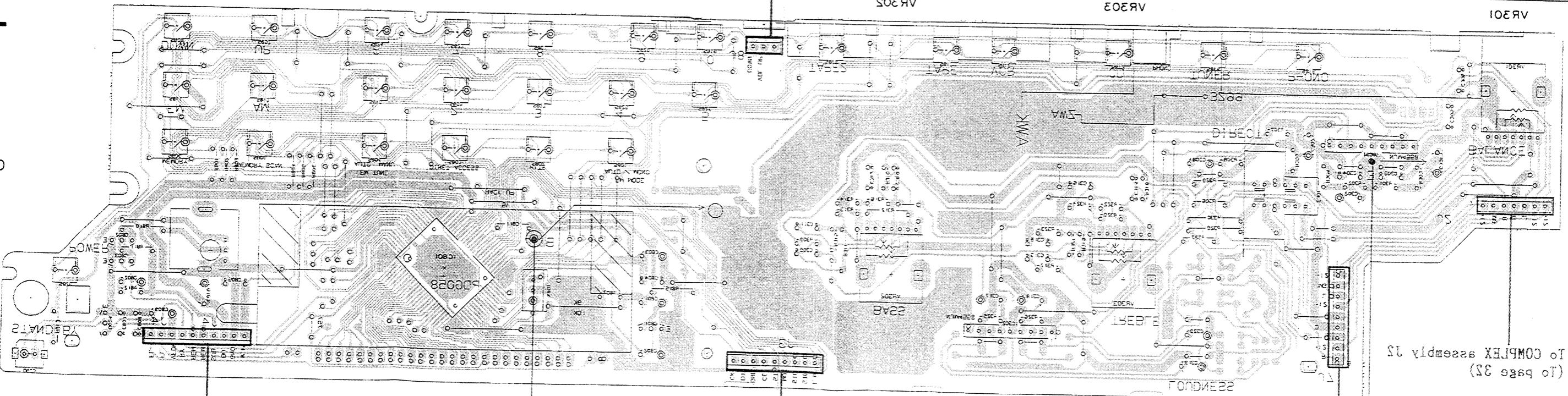
0805 0803

IC801

0801

IC305

IC301



D

To COMPLEX assembly 14
(To page 32)

To COMPLEX assembly 13
(To page 31)

To MOTOR VOL assembly CM7
(To page 31)

To COMPLEX assembly 15
(To page 32)

To MOTOR VOL assembly 31
(To page 31)

e

2

4

3

2

1

A

B

C

D

- FOR HEWZ TYPE
- As to the other assemblies, refer to "FOR HE AND HB TYPES".

A

NOTE

1. This P.C.B. connection diagram is viewed from the parts mounted side.
2. The parts which have been mounted on the board can be replaced with those shown with the corresponding wiring symbols listed in the following Table.

P.C.B. pattern diagram indication	Corresponding part symbol	Part Name
		Transistor
		Radiator type transistor
		Diode
		Resistor
		Capacitor (Polarity)
		Capacitor (Non-polarity)

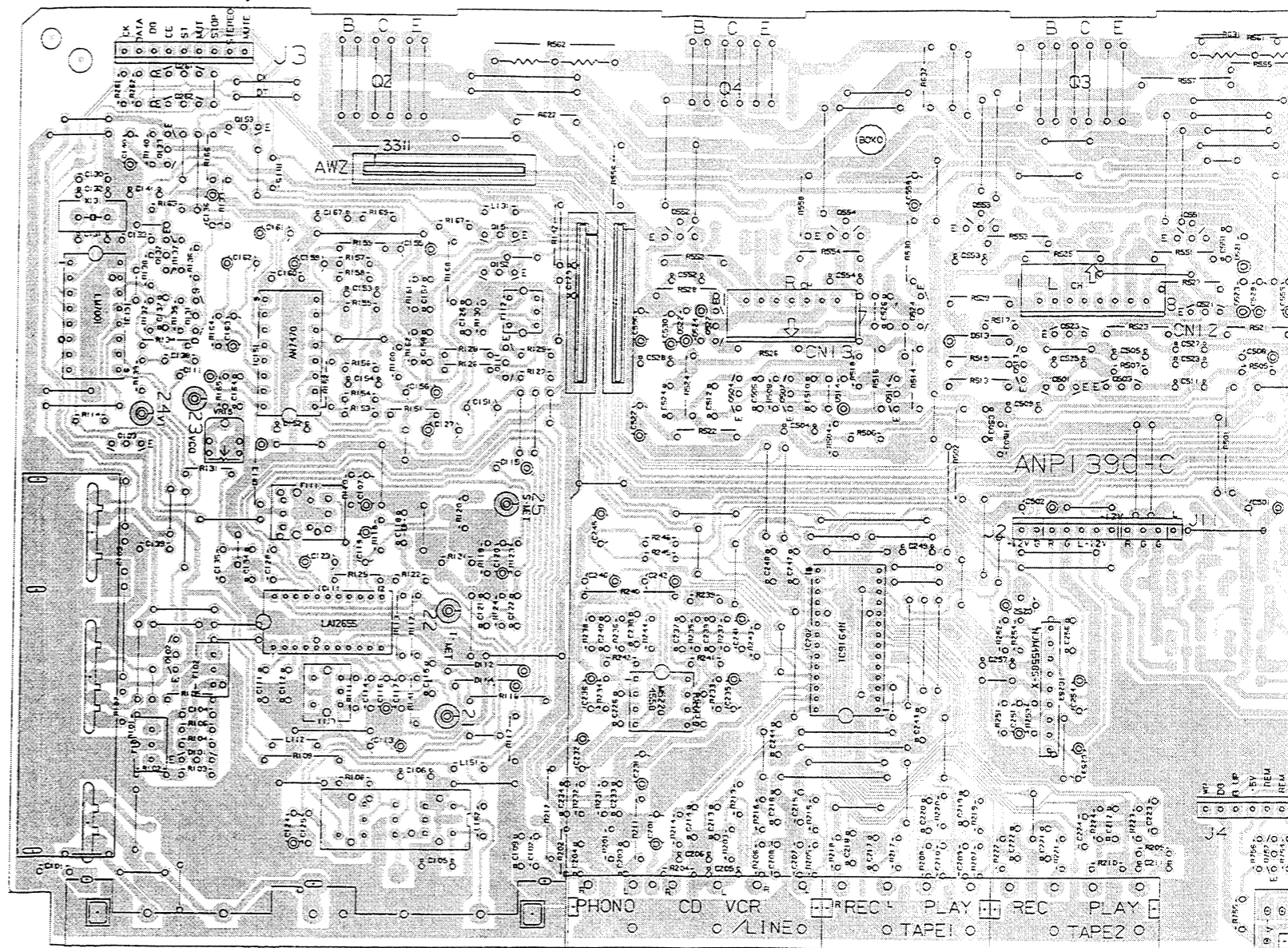
Others

P.C.B. pattern diagram indication	Part Name
IC	IC
S	Switch
RY	Relay
L	Coil
F	Filter
VR	Variable resistor or Semi-fixed resistor

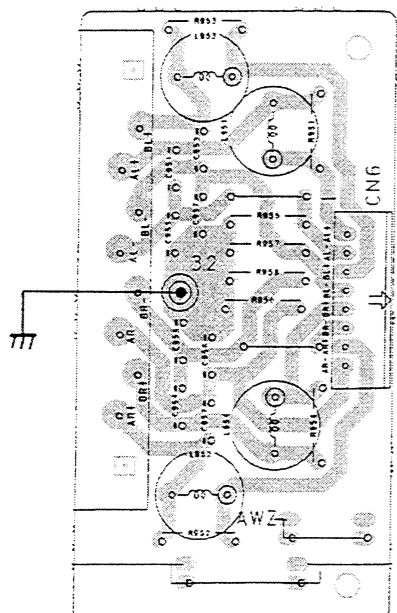
3. The capacitor terminal marked with ⊕ (double circles) shows negative terminal.
4. The diode terminal marked with ⊕ (double circles) shows cathode side.
5. The transistor terminal to which E is affixed shows the emitter.

B

COMPLEX assembly (AWZ3311)

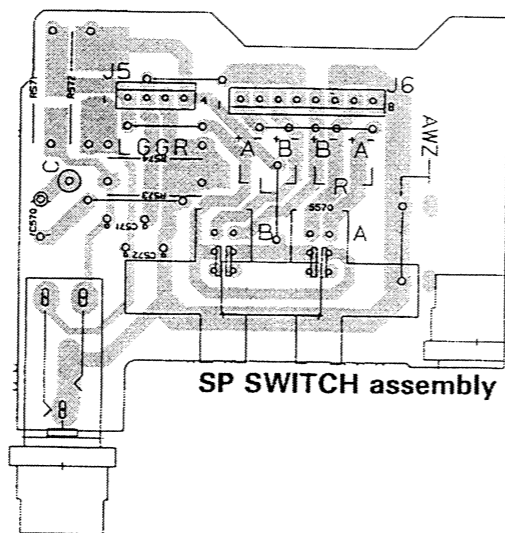


C



SP TERMINAL assembly

D



SP SWITCH assembly

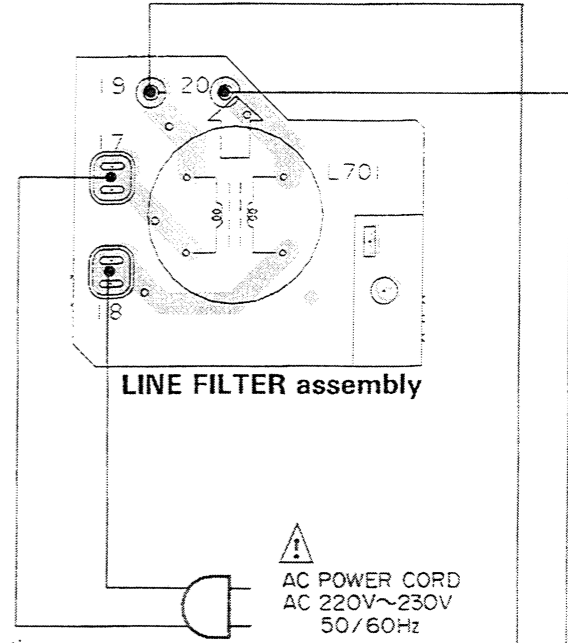
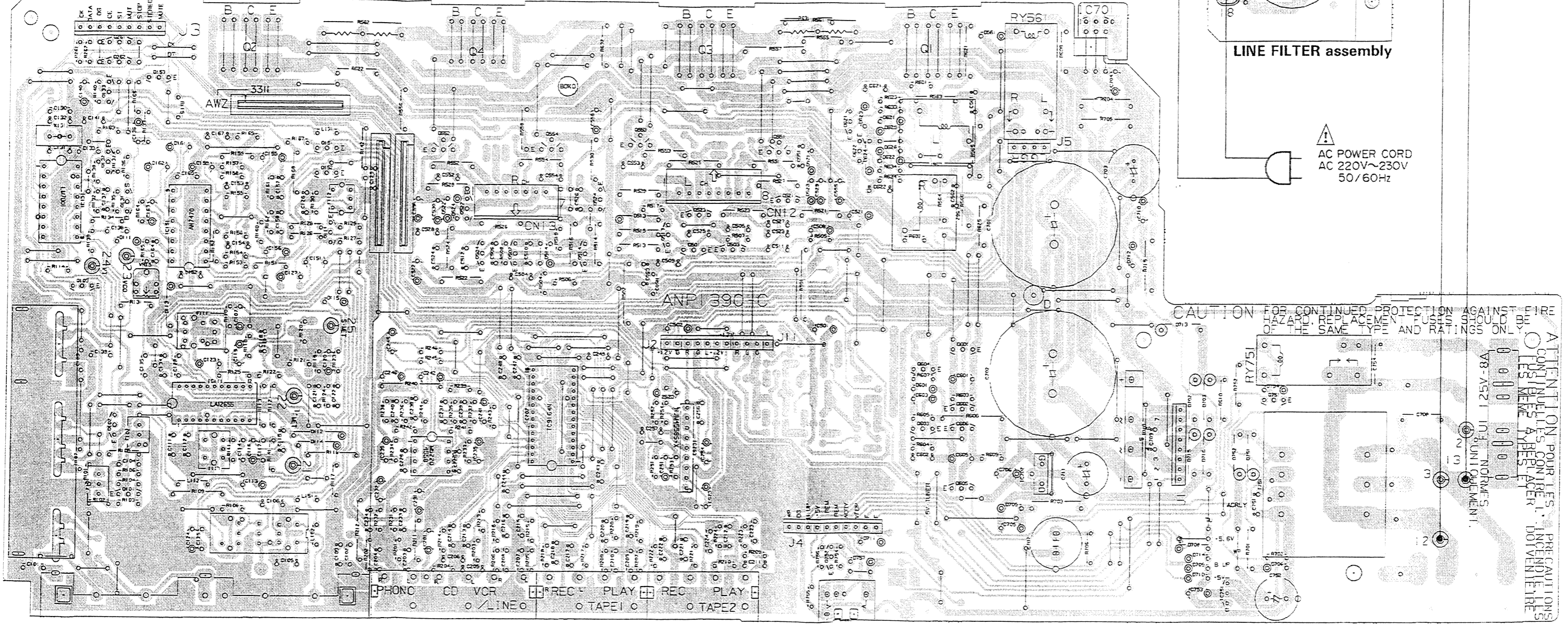
VR151

Q133 Q261 Q262 Q153 Q2 Q151 Q552 Q4 Q554 Q553 Q3 Q551 Q62
 IC131 Q103 Q132 Q131 IC151 Q152 Q111 Q522 Q504 Q502 Q514 Q524 Q513 Q501 Q523 Q503 Q521
 Q102 IC111 IC201 IC202 IC253
 Q101

Q752

4 5 6 7 8

COMPLEX assembly (AWZ3311)



CAUTION FOR CONTINUED PROTECTION AGAINST FIRE HAZARD, REPLACEMENT FUSES SHOULD BE OF THE SAME TYPE AND RATINGS ONLY.

ATTENTION POUR LES PRECAUTIONS CONTRE LES INCENDIES, LES FUSIBLES CONTRE LES INCENDIES DOIVENT ETRE REMPLACES PAR DES FUSIBLES DE MEME TYPE ET DE MEME RATING.

VR-152 1 UNIT NORMES.

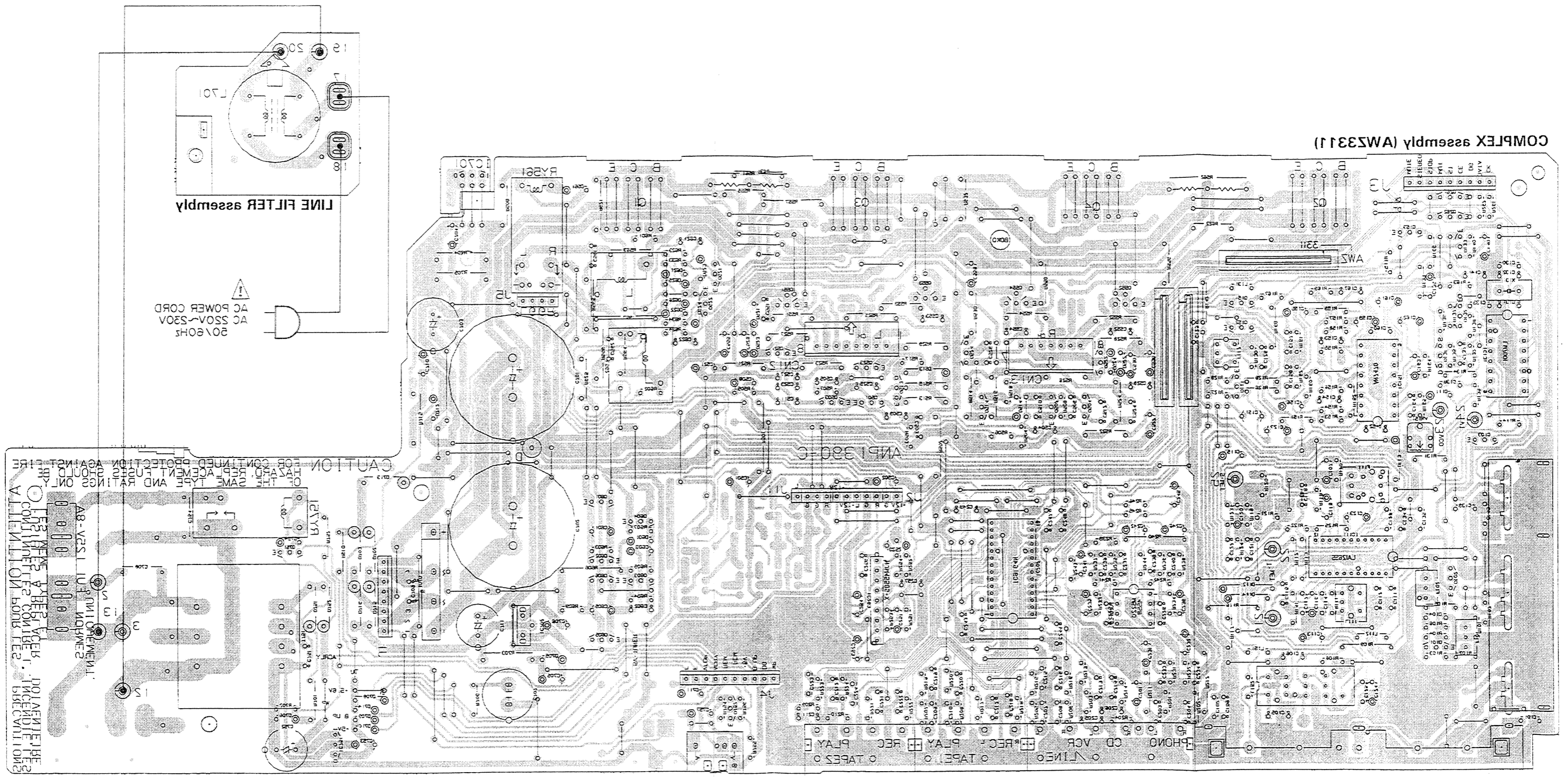
- VR151
- | | | | | | | | | | |
|----------------------|-------|-----------|----------------|-----------|---------------------|------|-----------|-------|-------|
| Q133 Q261 Q262 Q153 | Q2 | Q151 | Q552 Q4 | Q554 | Q553 Q3 | Q551 | Q621 Q622 | Q1 | IC701 |
| IC131 Q103 Q132 Q131 | IC151 | Q152 Q111 | Q522 Q504 Q502 | Q514 Q524 | Q513 Q501 Q523 Q503 | Q521 | | | |
| Q102 | IC111 | | IC201 | IC202 | IC253 | | Q601-Q606 | | |
| Q101 | | | | | | Q752 | | IC702 | Q751 |
| | | | | | | | | | IC751 |

A

B

C

D



COMPLEX assembly (WZ311)

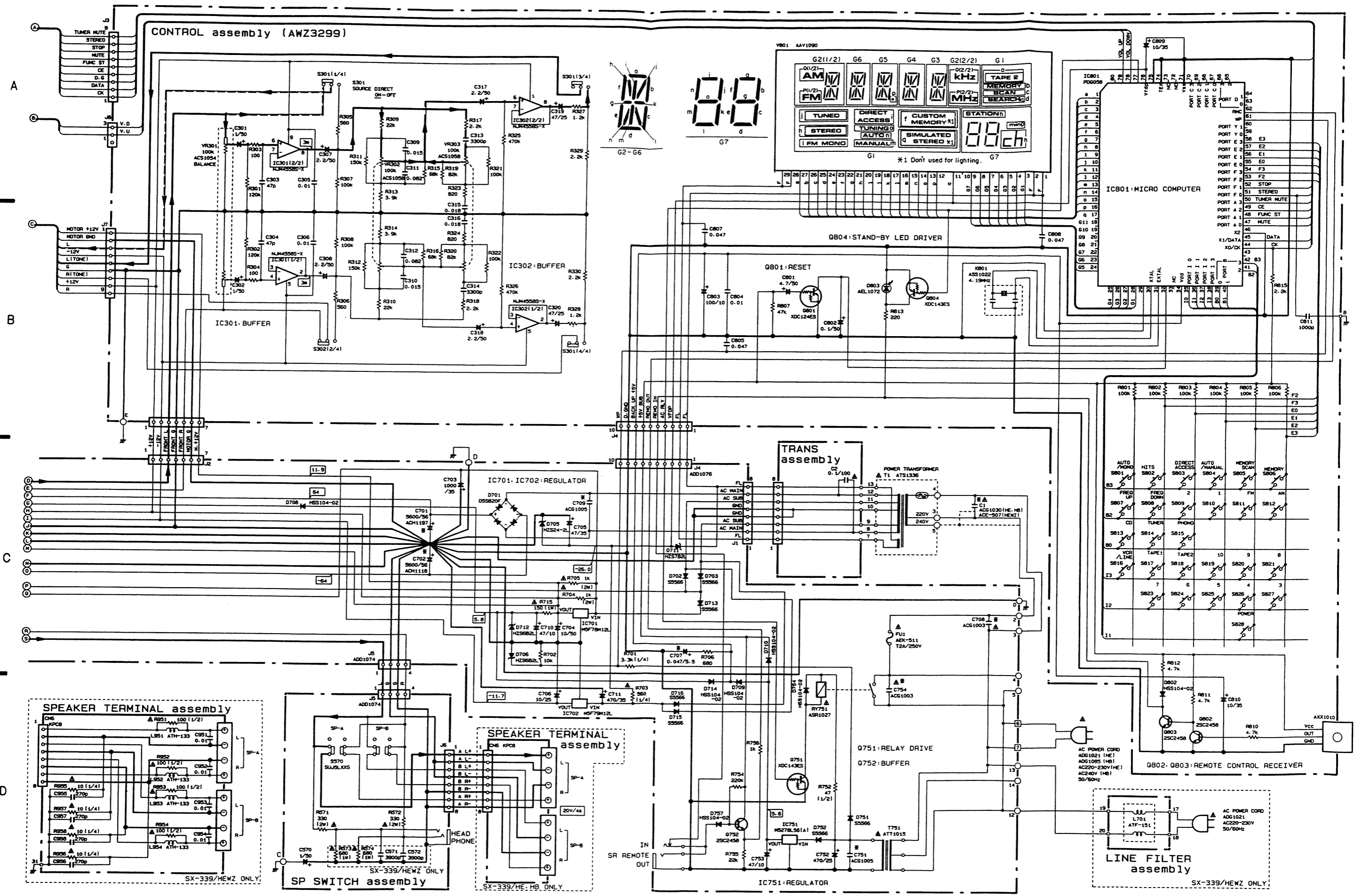
0101	IC101	0131 0103 0121 0121	0132 0501 0505 0123
0105	IC111	0125 0111	05
IC201	IC201	0255 0204 0205	0224 04
IC202	IC202	0214 0254	0223 03
IC203	IC203	0212 0201 0253 0203	0221
IC204	IC204	0201 0255	01
IC205	IC205	0201-0202	
IC251	IC251	0251	
IC301	IC301		
IC302	IC302		
IC303	IC303		
IC304	IC304		
IC305	IC305		
IC501	IC501		
IC502	IC502		
IC503	IC503		
IC504	IC504		
IC505	IC505		

D

C

B

A

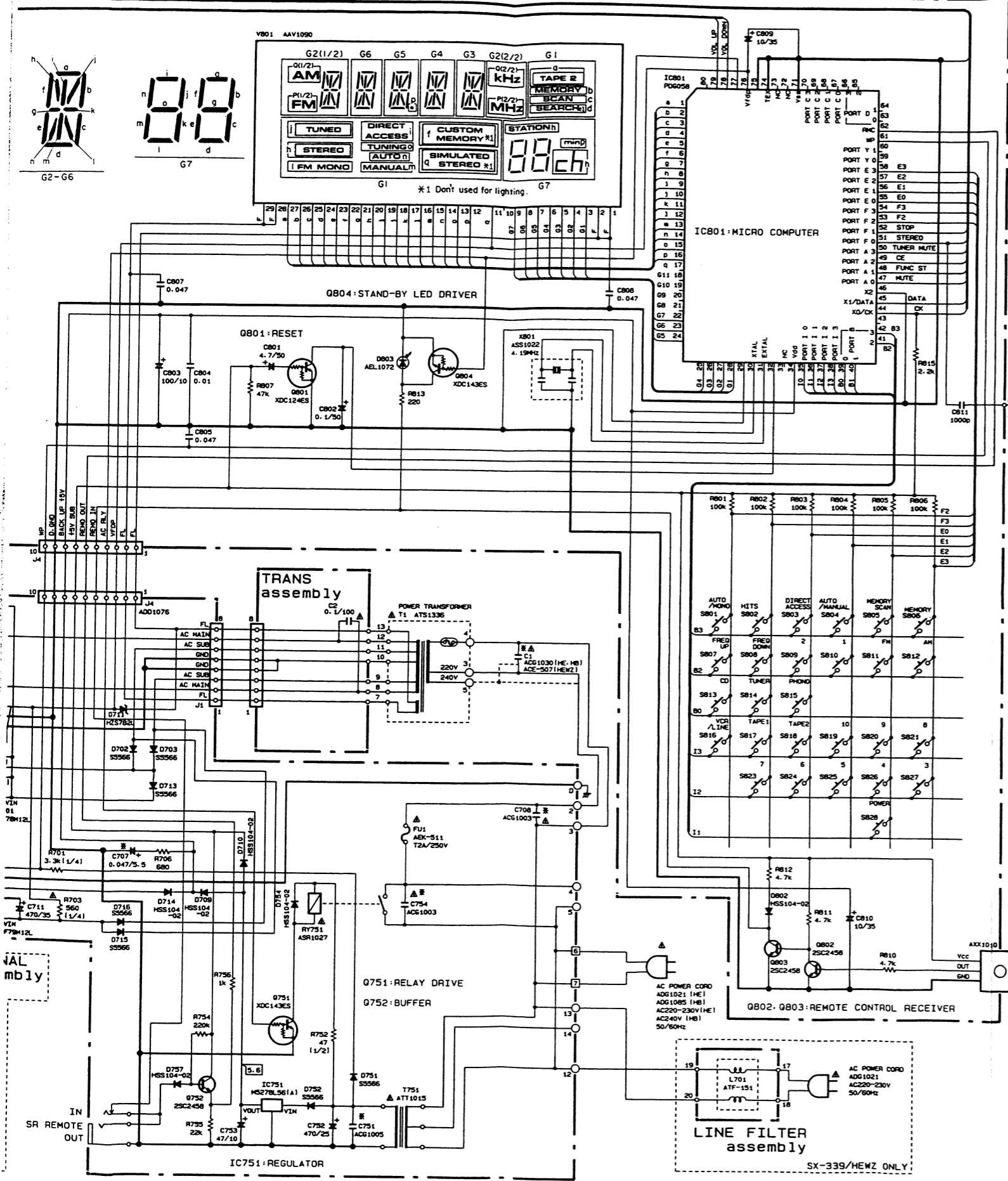


A

B

C

D



- 1. RESISTORS:**
Indicated in Ω , $\frac{1}{4}W$, $\frac{1}{8}W$, $\frac{1}{2}W$, $\pm 5\%$ tolerance unless otherwise noted k: k Ω , M: M Ω , (F): $\pm 1\%$, (G): $\pm 2\%$, (K): $\pm 10\%$ (M): $\pm 20\%$ tolerance
- 2. CAPACITORS:**
Indicated in capacity (μF)/voltage (V) unless otherwise noted p: pF
Indication without voltage is 50V except electrolytic capacitor.
- 3. VOLTAGE, CURRENT:**
 : Signal voltage at (85 W + 85 W 8 Ω)output (1kHz)
 : DC voltage (V) at no input signal
 Value in () is DC voltage at rated power.
 mA: DC current at no input signal
- 4. OTHERS:**
 : Signal route.
 : Adjusting point.
 The Δ mark found on some component parts indicates the importance of the safety factor of the part. Therefore, when replacing, be sure to use parts of identical designation.
 * marked capacitors and resistors have parts numbers.

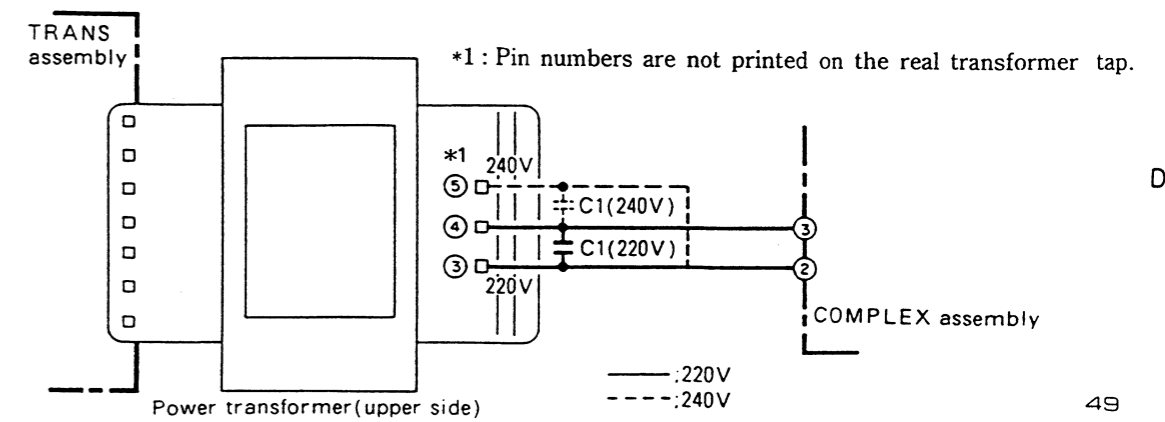
- SWITCHES:**
- SP SWITCH assembly**
S570 SP A ON-OFF / SP B ON-OFF
- CONTROL assembly**
- | | |
|----------------------------|-------------------------|
| S801 FM MODE AUTO/MONO | S816 VCR/LINE |
| S802 HITS | S817 TAPE 1/DAT |
| S803 DIRECT ACCESS | S818 TAPE 2/ADAPTOR |
| S804 FM TUNING AUTO/MANUAL | S819 10 |
| S805 MEMOLY SCANS | S820 9 |
| S806 MEMOLY | S821 8 |
| S807 FREQ UP | S823 7 |
| S808 FREQ DOWN | S824 6 |
| S809 2 | S825 5 |
| S810 1 | S826 4 |
| S811 FM | S827 3 |
| S812 AM | S828 POWER STANDBY / ON |
| S813 CD | S301 DIRECT ON/OFF |
| S814 TUNER | |
| S815 PHONO | |

This is the basic schematic diagram, but the actual circuit may vary due to improvements in design.

Line voltage selection (For HE, HB and HEWZ types)

- Line voltage can be changed with the following steps.
1. Disconnect the AC Power cord.
 2. Remove the top cover.
 3. Change the connection of the power transformer primary taps.
 4. Change the connection to the capacitor (C1) on the primary side of the power transformer.
 5. Stick the line voltage label on the rear panel.

Part No.	Description
AAX-193	220V label
AAX-192	240V label



3. PCB's PARTS LIST

NOTES:

- Parts without part number cannot be supplied.
- Parts marked by "⊙" are not always kept in stock. Their delivery time may be longer than usual or they may be unavailable.
- The Δ mark found on some component parts indicates the importance of the safety factor of the part. Therefore, when replacing, be sure to use parts of identical designation.
- When ordering resistors, first convert resistance values into code form as shown in the following examples.

Ex. 1 When there are 2 effective digits (any digit apart from 0), such as 560 ohm and 47k ohm (tolerance is shown by J = 5%, and K = 10%).

560Ω	56 × 10 ¹	561.....	RD1/4PS	⊙	⊙	⊙	J
47kΩ	47 × 10 ³	473.....	RD1/4PS	⊙	⊙	⊙	J
0.5Ω	0R5.....		RN2H	⊙	⊙	⊙	K
1Ω	010.....		RS1P	⊙	⊙	⊙	K

Ex. 2 When there are 3 effective digits (such as in high precision metal film resistors).

5.62kΩ	562 × 10 ¹	5621.....	RN1/4SR	⊙	⊙	⊙	F
--------	-----------------------	-----------	---------	---	---	---	---

3.1 FOR SX – 229

Mark No.	Description	Parts No.	Mark No.	Description	Parts No.
CONTROL ASSEMBLY (AWZ3307)			C804	CERAMIC CAPACITOR	CKDYF103Z50
SEMICONDUCTORS			C805, 807	CERAMIC CAPACITOR	CKDYF473Z50
IC301, 302	OP – AMP IC	NJM4558S – X	C808	CERAMIC CAPACITOR	CKDYF473Z50
IC801	RECEIVER CONTROL	PDG049 – B	C809, 810	ELECTROLYTIC CAPACIT	CEJA100M35
IC971	OP – AMP IC	NJM4558S – X	C811	CERAMIC CAPACITOR	CKPUYB102K50
Q801	TRANSISTOR	XDC124ES	C973	ELECTROLYTIC CAPACIT	CEJA4R7M50
SWITCHES			C974	ELECTR.CAPACITOR	CEAS4R7M50
S301	PUSH SWITCH	ASG1036	C975, 976	CERAMIC CAPACITOR	CCCSL220J50
S801, 803	SWITCH	ASG1034	C977, 978	CERAMIC CAPACITOR	CKDYF103Z50
S804 – 821	SWITCH	ASG1034	RESISTORS		
S823 – 827	SWITCH	ASG1034	VR301	VARIABLE RESISTOR	ACS1054
CAPACITORS			VR302, 303	VARIABLE RESISTOR	ACS1058
C301, 302	ELECTR.CAPACITOR	CEAS010M50	VR907	VARIABLE(50k – A5X2)	ACT1066
C303, 304	CERAMIC CAPACITOR	CCCSL470J50	R981, 982	CARBON FILM RESISTOR	RDR1/4PM471J
C305, 306	CERAMIC CAPACITOR	CKDYF103Z50	Others resistors RD1/8PM□□□□		
C307, 308	ELECTR.CAPACITOR	CEAS2R2M50	OTHERS		
C309, 310	AUDIO FILM CAPACITOR	CFTXA153J50	V801	FL SPACER	AEB1120
C311, 312	AUDIO FILM CAPACITOR	CFTXA823J50	X801	FL TUBE	AAV1090
C313, 314	MYLOR FILM CAPACITOR	CQMA332K50		CERAMIC OSCILLATOR	ASS1022
C315, 316	AUDIO FILM CAPACITOR	CFTXA183J50			
C317, 318	ELECTR.CAPACITOR	CEAS2R2M50			
C319, 320	ELECTR.CAPACITOR	CEAS470M25			
C801	ELECTROLYTIC CAPACIT	CEJA4R7M50			
C802	ELECTROLYTIC CAPACIT	CEJA0R1M50			
C803	ELECTR.CAPACITOR	CEJA221M6			

Mark No.	Description	Parts No.
TRANS ASSEMBLY		
CAPACITORS		
C2	POLYESTER CAPACITOR	CQMXA104J100

SP TERMINAL ASSEMBLY

OTHERS

SPEAKER TERMINAL AKE-111
8-P

COMPLEX ASSEMBLY (AWZ3315)

SEMICONDUCTORS

IC111	AM/FM IC	LA1265S
IC131	PLL IC	LM7001
IC151	MPX IC	AN7470P
IC201	OP-AMP IC	RC4558DXP
IC202	E-SW IC	TC9164N
IC253	OP-AMP IC	NJM4558S-X
IC701	REGULATOR IC	M5F78M12L
IC702	REGULATOR IC	M5F79M12L
Q101	TRANSISTOR	2SC2668
Q102, 103	TRANSISTOR	XDA143ES
Q131	N-FET	2SK246
Q132	TRANSISTOR	2SC1740SLN
Q133, 151	TRANSISTOR	2SC1740S
Q152	TRANSISTOR	2SC1740S
Q153	TRANSISTOR	2SA1048
Q261, 262	TRANSISTOR	XDC124ES
Q263	TRANSISTOR	XDA124ES
Q501-504	TRANSISTOR	2SA992
Q513, 514	TRANSISTOR	2SC1845
Q521, 522	TRANSISTOR	2SA1145
Q523, 524	TRANSISTOR	2SC2705
Q525, 526	TRANSISTOR	2SC2603
Q551, 552	TRANSISTOR	2SC3298
Q553, 554	TRANSISTOR	2SA1306
Q601, 602	TRANSISTOR	2SC2458
Q603	TRANSISTOR	2SA1048
Q604	TRANSISTOR	2SC2458
Q605	TRANSISTOR	XDC124ES
Q606	TRANSISTOR	XDC143ES

Mark No.	Description	Parts No.
D111-115	DIODE	HSS104-02
D513, 514	DIODE	HSS104-02
D521-524	DIODE	HSS104-02
D561	DIODE	HSS104-02
D601	ZENER DIODE	HZS12AL
D701	DIODE	RBV402
D702, 703	DIODE	S5566
D705	ZENER DIODE	HZS24-2L
D706	ZENER DIODE	HZS6B2L
D708-710	DIODE	HSS104-02
D711	ZENER DIODE	HZS7B2L
D712	ZENER DIODE	HZS6B2L
D713, 715	DIODE	S5566
D716	DIODE	S5566

RELAY

RY561 RELAY ASR1038

COILS

F101, 102	CERAMIC FILTER	ATF-126
F111	CERAMIC FILTER	ATF-208
L111	COIL	ATE-079
L112, 131	AXIAL INDUCTOR	LAU2R2M
L561, 562	COIL	ATH1004

CAPACITORS

C101-104	CERAMIC CAPACITOR	ACG1021
C105, 106	CERAMIC CAPACITOR	CKDYF223Z50
C107	CERAMIC CAPACITOR	CKDYF473Z50
C109	CERAMIC CAPACITOR	CKDYX104M25
C111, 112	CERAMIC CAPACITOR	CKDYF223Z50
C113	ELECTR.CAPACITOR	CEAS330M16
C114	CERAMIC CAPACITOR	ACG1021
C115	CERAMIC CAPACITOR	CKDYF103Z50
C116	ELECTR.CAPACITOR	CEAS010M50
C117	CERAMIC CAPACITOR	ACG1018
C118	CERAMIC CAPACITOR	CKDYX103M25
C119	ELECTR.CAPACITOR	CEAS100M50
C120	ELECTR.CAPACITOR	CEAS2R2M50
C121	CERAMIC CAPACITOR	CKDYF222Z50
C122	CERAMIC CAPACITOR	CKDYF473Z50
C123	ELECTR.CAPACITOR	CEAS4R7M50
C124	ELECTR.CAPACITOR	CEAS470M10
C125, 130	CERAMIC CAPACITOR	ACG1021
C131, 132	CERAMIC CAPACITOR	CCDCH150J50
C133	CERAMIC CAPACITOR	ACG1021

Mark No.	Description	Parts No.
△ R561, 562	RESISTOR (0.33, 5W)	ACN1063
△ R563, 564	CARBON FILM RESISTOR	RD1/4PMF100J
△ R565, 566	METAL OXIDE RESISTOR	RS1LMF100J
△ R608	CARBON FILM RESISTOR	RD1/4PMF221J
△ R610	FUSIBLE RESISTOR	RFA1/4PS100J
R701	CARBON FILM RESISTOR	RD1/4PM332J
△ R703	METAL OXIDE RESISTOR	RS2LMF152J
△ R704, 705	METAL OXIDE RESISTOR	RS2LMF911J
△ R715	METAL OXIDE RESISTOR	RS1LMF151J
	Others resistor	RD1/8PM□□□J

OTHERS

	ANTENNA TERMINAL	AKA1010
	4-P	
	PIN JACK (4P)	AKB1101
	PIN JACK (6P)	AKB1121
	2 SERIAL F.E. MODULE	AXQ1002
	ASSEMBLY	
	AM RF TUNING BLOCK	AXX1011
X131	CRYSTAL RESONATOR	ASS1005

SP SWITCH ASSEMBLY

SWITCHES

△ S1	POWER SWITCH	ASG1027
S570	PUSH SWITCH	ASG1017
S571	PUSH SWITCH	ASG1026

CAPACITORS

C570	ELECTR.CAPACITOR	CEAS010M50
△ C574	CKA (0.01/AC400V)	ACG1002

RESISTORS

△ R571, 572	METAL OXIDE RESISTOR	RS2LMF331J
-------------	-------------------------	------------

OTHERS

	JACK	AKN1002
--	------	---------

3.2 FOR SX-339

Mark No.	Description	Parts No.
SP SWITCH ASSEMBLY		
SWITCH		
S570	PUSH SWITCH	SUJ5LXXS
CAPACITOR		
C570	ELECTR.CAPACITOR	CEAS010M50
RESISTORS		
△ R571, 572	METAL OXIDE RESISTOR	RS2LMF331J
OTHERS		
	JACK	AKN1002

CONTROL ASSEMBLY (AWZ3299)

SEMICONDUCTORS

IC301, 302 IC801	OP-AMP IC AMP CONTROL UCOM	NJM4558S-X PDG058
Q801 Q802, 803 Q804	TRANSISTOR TRANSISTOR TRANSISTOR	XDC124ES 2SC2458 XDC143ES
D802 D803	DIODE LED	HSS104-02 AEL1072

SWITCHES

S301	PUSH SWITCH	ASG1036
S801-821	SWITCH	ASG1034
S823-828	SWITCH	ASG1034

CAPACITORS

C301, 302 C303, 304 C305, 306 C307, 308 C309, 310	ELECTR.CAPACITOR CERAMIC CAPACITOR CERAMIC CAPACITOR ELECTR.CAPACITOR AUDIO FILM CAPACITOR	CEAS010M50 CCCSL470J50 CKDYF103Z50 CEAS2R2M50 CFTXA153J50
C311, 312	AUDIO FILM CAPACITOR	CFTXA823J50
C313, 314	MYLOR FILM CAPACITOR	CQMA332K50
C315, 316	AUDIO FILM CAPACITOR	CFTXA183J50
C317, 318 C319, 320	ELECTR.CAPACITOR ELECTR.CAPACITOR	CEAS2R2M50 CEAS470M25
C801	ELECTROLYTIC CAPACIT	CEJA4R7M50
C802	ELECTROLYTIC CAPACIT	CEJA0R1M50
C803	ELECTROLYTIC CAPACIT	CEJA101M10
C804 C805, 807	CERAMIC CAPACITOR CERAMIC CAPACITOR	CKDYF103Z50 CKDYF473Z50

Mark No.	Description	Parts No.
C808	CERAMIC CAPACITOR	CKDYF473Z50
C809, 810	ELECTROLYTIC CAPACIT	CEJA100M35
C811	CERAMIC CAPACITOR	CKPUYB102K50
RESISTORS		
VR301 VR302, 303	VARIABLE RESISTOR VARIABLE RESISTOR	ACS1054 ACS1058
	Other resistors	RD1/8PM□□□□
OTHERS		
V801 X801	FL TUBE CERAMIC OSCILLATOR FL SPACER REMOTE RECEIVER UNIT	AAV1090 ASS1022 AEB1120 AXX1010

TRANS ASSEMBLY

CAPACITORS

C2	POLYESTER CAPACITOR	CQMXA104J100
----	---------------------	--------------

COMPLEX ASSEMBLY (AWZ3312)

SEMICONDUCTORS

IC111 IC131 IC151 IC201 IC202	AM/FM IC PLL IC MPX IC OP-AMP IC E-SW IC	LA1265S LM7001 AN7470P RC4558DXP TC9164N
IC253 IC701 IC702 IC751	OP-AMP IC REGULATOR IC REGULATOR IC REGULATOR IC	NJM4558S-X M5F78M12L M5F79M12L M5278L56 (A)
Q101 Q102, 103 Q131 Q132 Q133, 151	TRANSISTOR TRANSISTOR N-FET TRANSISTOR TRANSISTOR	2SC2668 XDA143ES 2SK246 2SC1740SLN 2SC1740S
Q152 Q153 Q261, 262 Q501-504 Q513, 514	TRANSISTOR TRANSISTOR TRANSISTOR TRANSISTOR TRANSISTOR	2SC1740S 2SA1048 XDC124ES 2SA992 2SC1845
Q521, 522 Q523, 524 Q551, 552 Q553, 554 Q601, 602	TRANSISTOR TRANSISTOR TRANSISTOR TRANSISTOR TRANSISTOR	2SA1145 2SC2705 2SC3298 2SA1306 2SC2458

Mark No.	Description	Parts No.	Mark No.	Description	Parts No.
Q603	TRANSISTOR	2SA1048	C115	CERAMIC CAPACITOR	CKDYF103Z50
Q604	TRANSISTOR	2SC2458	C116	ELECTR.CAPACITOR	CEAS010M50
Q605	TRANSISTOR	XDC124ES	C117	CERAMIC CAPACITOR	ACG1018
Q606	TRANSISTOR	XDC143ES	C118	CERAMIC CAPACITOR	CKDYX103M25
Q621, 622	TRANSISTOR	2SC2240	C119	ELECTR.CAPACITOR	CEAS100M50
Q751	TRANSISTOR	XDC143ES	C120	ELECTR.CAPACITOR	CEAS2R2M50
Q752	TRANSISTOR	2SC2458	C121	CERAMIC CAPACITOR	CKDYF222Z50
D111-115	DIODE	HSS104-02	C122	CERAMIC CAPACITOR	CKDYF473Z50
D513, 514	DIODE	HSS104-02	C123	ELECTR.CAPACITOR	CEAS4R7M50
D521-524	DIODE	HSS104-02	C124	ELECTR.CAPACITOR	CEAS470M10
D561	DIODE	HSS104-02	C125, 130	CERAMIC CAPACITOR	ACG1021
D601	ZENER DIODE	HZS12AL	C131, 132	CERAMIC CAPACITOR	CCDCH150J50
D621-626	DIODE	HSS104-02	C133	CERAMIC CAPACITOR	ACG1021
D701	DIODE	D5SB20F	C134	CERAMIC CAPACITOR	CKDYF103Z50
D702, 703	DIODE	S5566	C135	CERAMIC CAPACITOR	ACG1016
D705	ZENER DIODE	HZS24-2L	C136	ELECTR.CAPACITOR	CEAS330M16
D706	ZENER DIODE	HZS6B2L	C137	AUDIO FILM CAPACITOR	CFTXA224J50
D708-710	DIODE	HSS104-02	C138, 139	CERAMIC CAPACITOR	ACG1021
D711	ZENER DIODE	HZS7B2L	C140	ELECTR.CAPACITOR	CEAS470M16
D712	ZENER DIODE	HZS6B2L	C141	CERAMIC CAPACITOR	CKDYF473Z50
D713	DIODE	S5566	C151	ELECTR.CAPACITOR	CEANP4R7M35
D714	DIODE	HSS104-02	C152	CERAMIC CAPACITOR	CKDYF473Z50
D715, 716	DIODE	S5566	C153, 154	MYLOR FILM CAPACITOR	CQMA102J50
D751, 752	DIODE	S5566	C155, 156	ELECTR.CAPACITOR	CEAS4R7M50
D754, 757	DIODE	HSS104-02	C157, 158	CERAMIC CAPACITOR	CKDYB182K50
RELAY			C159	ELECTR.CAPACITOR	CEAS470M16
RY561	RELAY	ASR1037	C160	CERAMIC CAPACITOR	ACG1021
△ RY751	RELAY	ASR1027	C161	ELECTR.CAPACITOR	CEASR22M50
COILS & TRANSFORMER			C162	ELECTROLYTIC CAPACIT	CEAS1R5M50
L111	COIL	ATE-079	C163	ELECTR.CAPACITOR	CEAS3R3M50
L112, 131	AXIAL INDUCTOR	LAU2R2M	C164	CAPACITOR	ACE1039
L561, 562	COIL	ATH1004	C167	CERAMIC CAPACITOR	CCCSL101J50
F101, 102	CERAMIC FILTER	ATF-126	C201	ELECTR.CAPACITOR	CEAS010M50
F111	CERAMIC FILTER	ATF-208	C231, 232	ELECTR.CAPACITOR	CEAS100M50
△ T751	POWER TRANSFORMER	ATT1015	C233, 234	CERAMIC CAPACITOR	CCCSL221J50
CAPACITORS			C235, 236	ELECTROLYTIC CAPACIT	CEAS471M6
C101-104	CERAMIC CAPACITOR	ACG1021	C237, 238	AUDIO FILM CAPACITOR	CFTXA243J50
C105, 106	CERAMIC CAPACITOR	CKDYF223Z50	C239, 240	AUDIO FILM CAPACITOR	CFTXA823J50
C107	CERAMIC CAPACITOR	CKDYF473Z50			
C109	CERAMIC CAPACITOR	CKDYX104M25			
C111, 112	CERAMIC CAPACITOR	CKDYF223Z50			
C113	ELECTR.CAPACITOR	CEAS330M16			
C114	CERAMIC CAPACITOR	ACG1021			

Mark No.	Description	Parts No.
C241, 242	ELECTR.CAPACITOR	CEAS2R2M50
C243, 244	CERAMIC CAPACITOR	CKDYF103Z50
C245, 246	ELECTR.CAPACITOR	CEAS470M16
C247, 248	CERAMIC CAPACITOR	CKCYB331K50
C249	CERAMIC CAPACITOR	CKCYB471K50
C251, 252	ELECTR.CAPACITOR	CEAS2R2M50
C253, 254	ELECTR.CAPACITOR	CEAS4R7M50
C256, 257	CERAMIC CAPACITOR	CKDYF103Z50
C501, 502	ELECTR.CAPACITOR	CEAS2R2M50
C503, 504	MYLOR FILM CAPACITOR	CQMA102J50
C505, 506	CERAMIC CAPACITOR	CKDYF222Z50
C508	ELECTR.CAPACITOR	CEAS101M16
C509-512	CERAMIC CAPACITOR	CCMSL470J50
C521, 522	ELECTR.CAPACITOR	CEAS220M16
C523, 524	CERAMIC CAPACITOR	CCCSL080D500
C525, 526	CERAMIC CAPACITOR	CCCSL050C500
C529, 530	ELECTR.CAPACITOR	CEAS101M10
C551-554	CERAMIC CAPACITOR	CCCSL101K500
C561, 562	AUDIO FILM CAPACITOR	CFTXA473J50
C601	ELECTROLYTIC CAPACIT	CEAS471M6
C602	CERAMIC CAPACITOR	CKDYF103Z50
C603	ELECTR.CAPACITOR	CEAS101M16
C605	ELECTR.CAPACITOR	CEAS4R7M50
C621, 622	ELECTR.CAPACITOR	CEANP2R2M50
C701	ELECTROLYTIC CAPACIT	ACH1197
C702	ELECTROLYTIC CAPACIT	ACH1118
C703	ELECTROLYTIC CAPACIT	CEAS102M35
C704	ELECTR.CAPACITOR	CEAS100M50
C705	ELECTROLYTIC CAPACIT	CEAS470M35
C706	ELECTR.CAPACITOR	CEAS100M25
△ C707	CEA (47000/5.5V)	ACH1037 - A - S
C708	CKA (0.01/AC400V)	ACG1003
C709	CKA (0.01/AC250V)	ACG1005
C710	ELECTR.CAPACITOR	CEAS470M10
C711	ELECTROLYTIC CAPACIT	CEAS471M35
C751	CKA (0.01/AC250V)	ACG1005
C752	ELECTROLYTIC CAPACIT	CEAS471M25
△ C753	ELECTR.CAPACITOR	CEAS470M10
C754	CKA (0.01/AC400V)	ACG1003

Mark No.	Description	Parts No.
RESISTORS		
VR151	VR	ACP1042
R501, 502	CARBON FILM RESISTOR	RDR1/4PM561J
△ R513-516	FUSIBLE RESISTOR	RFA1/4PS391J
R521, 522	CARBON FILM RESISTOR	RDR1/4PM682J
R523, 524	CARBON FILM RESISTOR	RDR1/4PM104J
R525, 526	CARBON FILM RESISTOR	RD1/4PM104J
△ R527, 528	CARBON FILM RESISTOR	RD1/4PMF680J
△ R529, 530	FUSIBLE RESISTOR	RFA1/4PS101J
△ R551-554	FUSIBLE RESISTOR	RFA1/4PS101J
△ R555-558	CARBON FILM RESISTOR	RD1/4PMF101J
△ R561, 562	RESISTOR (0.33, 5W)	ACN1063
△ R563, 564	CARBON FILM RESISTOR	RD1/4PMF100J
△ R565, 566	METAL OXIDE RESISTOR	RS1LMF100J
△ R608	CARBON FILM RESISTOR	RD1/4PMF221J
△ R610	FUSIBLE RESISTOR	RFA1/4PS100J
△ R621, 622	CARBON FILM RESISTOR	RD1/4PMF222J
△ R625	CARBON FILM RESISTOR	RD1/4PMF101J
△ R631, 632	CARBON FILM RESISTOR	RD1/4PMF222J
R701	CARBON FILM RESISTOR	RD1/4PM332J
△ R703	CARBON FILM RESISTOR	RD1/4PMF561J
△ R704, 705	METAL OXIDE RESISTOR	RS2LMF102J
△ R715	METAL OXIDE RESISTOR	RS1LMF151J
R752	CARBON FILM RESISTOR	RD1/2PM470J
Other resistors		RD1/8PM□□□J

OTHERS

ANTENNA TERMINAL 4-P	AKA1010
PIN JACK (4P)	AKB1101
PIN JACK (6P)	AKB1121
JACK	AKN1006
3 Serial F.E. MODULE ASSEMBLY	AXQ1003

AM RF TUNING BLOCK	AXX1011
JUMPER CONNECTOR	KPC8
CONNECTOR (7P)	KPC7
CRYSTAL RESONATOR	ASS1005
CN12	
CN13	
X131	

Mark No.	Description	Parts No.
MOTOR VOL ASSEMBLY		
SEMICONDUCTOR		
IC970	MECHANISM DRIVER IC	TA7291S
IC971	OP-AMP IC	NJM4558S-X
COILS		
L970, 971	AXIAL INDUCTOR	LAU220K
CAPACITORS		
C970	ELECTROLYTIC CAPACIT	CEAS470M35
C971	CERAMIC CAPACITOR	CKDYX473M25
C972	CERAMIC CAPACITOR	CKDYF473Z50
C973, 974	ELECTR.CAPACITOR	CEAS4R7M50
C975, 976	CERAMIC CAPACITOR	CCDSL220J50
C977, 978	CERAMIC CAPACITOR	CKDYF103Z50
RESISTORS		
R981, 982	CARBON FILM RESISTOR	RDR1/6PU471J
VR970	VARIABLE RESISTOR	ACX1040
	Other resistors	RD1/8PM□□□J
OTHERS		
CN11	CONNECTOR (4P)	KPC4
CN7	CONNECTOR (9P)	KPC9
TRANSISTOR ASSEMBLY		
SEMICONDUCTOR		
Q901, 902	TRANSISTOR	2SC2603
RESISTORS		
R905, 906	METALFILM RESISTER	RN1/4PQ1501F
	Other resistors	RD1/8PM□□□J
SP TERMINAL ASSEMBLY		
OTHERS		
CN6	JUMPER CONNECTOR SPEAKER TERMINAL (8P)	KPC8 AKE-111

4. ADJUSTMENTS

4.1 ADJUSTMENT OF THE FM TUNER SECTION

- Set the mode selector to FM BAND.
- Connect the wiring as shown in the Fig. 4-2.

Step No.	Adjustment title	FM SG (1kHz \pm 75kHz dev.)		Reception frequency display	Adjustment location	Specifications						
		Frequency (MHz)	Level (dB μ V)									
1	Center adjustment	98.0	60	98.0MHz	L111	Adjust so that the DC voltage between the TP-21 and TP-22 becomes 0V \pm 50mV.						
2	VCO adjustment	98.0 (Non modulation)	60	98.0MHz	VR151	Adjust so that the output of the TP-23 becomes 76kHz \pm 0.5kHz.						
3	TUNED IND. Lighting level	98.0*1 (Stereo modulation)	—	98.0MHz	R121	<p>The R121 of the COMPLEX assembly has been mounted or removed at the time of adjustment in the production. Mount or remove R121 referring to the table below, and adjust it so that the indicators of TUNED start to light up at 24dBμV (\pm 15dB).</p> <table border="1"> <thead> <tr> <th>Input level</th> <th>R121</th> </tr> </thead> <tbody> <tr> <td>The indicators of TUNED start lighting up at a larger input than 39dBμV.</td> <td>Remove</td> </tr> <tr> <td>The indicators of TUNED start lighting up at a less input than 9dBμV.</td> <td>Mount</td> </tr> </tbody> </table>	Input level	R121	The indicators of TUNED start lighting up at a larger input than 39dB μ V.	Remove	The indicators of TUNED start lighting up at a less input than 9dB μ V.	Mount
						Input level	R121					
						The indicators of TUNED start lighting up at a larger input than 39dB μ V.	Remove					
The indicators of TUNED start lighting up at a less input than 9dB μ V.	Mount											

*1 Stereo modulation : Main 1kHz L+R \pm 68.25kHz dev.
Pilot 19kHz \pm 6.75kHz dev.

4.2 ADJUSTMENT OF THE AM TUNER SECTION

- Set the mode selector to AM BAND.
- Connect the wiring as shown in the Fig. 4-3.

Step No.	Adjustment title	AM SG (400Hz 30% MOD.)		Reception frequency display	Adjustment location	Specifications				
		Frequency (kHz)	Level (dB μ V)							
1	TUNED IND. Lighting level	999	—	999kHz	R120	<p>The R120 of the COMPLEX assembly has been mounted or removed at the time of adjustment in the production. Mount or remove R120 referring to the table below, and adjust it so that the indicators of TUNED start to light up at less input than 65dBμV.</p> <table border="1"> <thead> <tr> <th>Input level</th> <th>R120</th> </tr> </thead> <tbody> <tr> <td>The indicators of TUNED start lighting up at a larger input than 65dBμV/m.</td> <td>Remove</td> </tr> </tbody> </table>	Input level	R120	The indicators of TUNED start lighting up at a larger input than 65dB μ V/m.	Remove
Input level	R120									
The indicators of TUNED start lighting up at a larger input than 65dB μ V/m.	Remove									

COMPLEX assembly

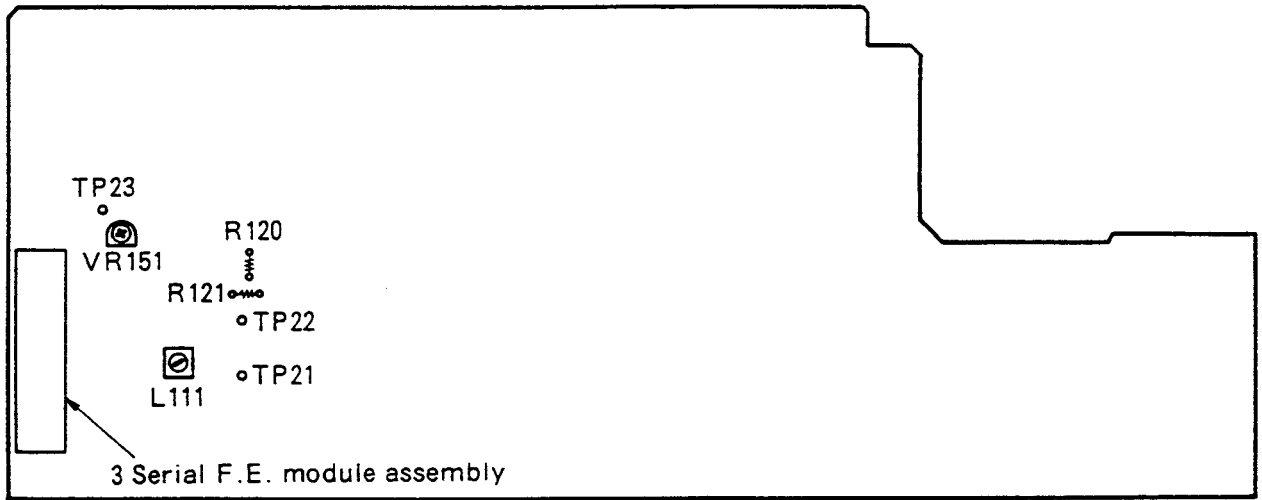


Fig. 4-1 Adjustment point

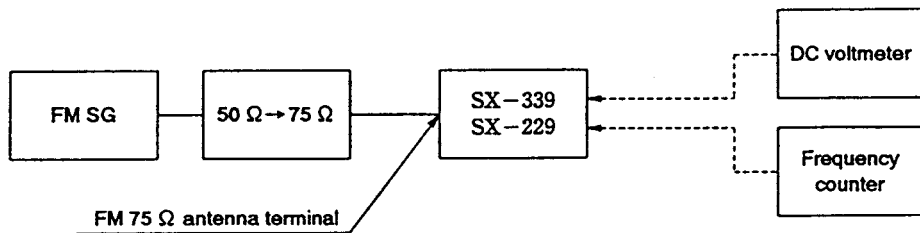


Fig. 4-2 FM Adjustment Connection Diagram

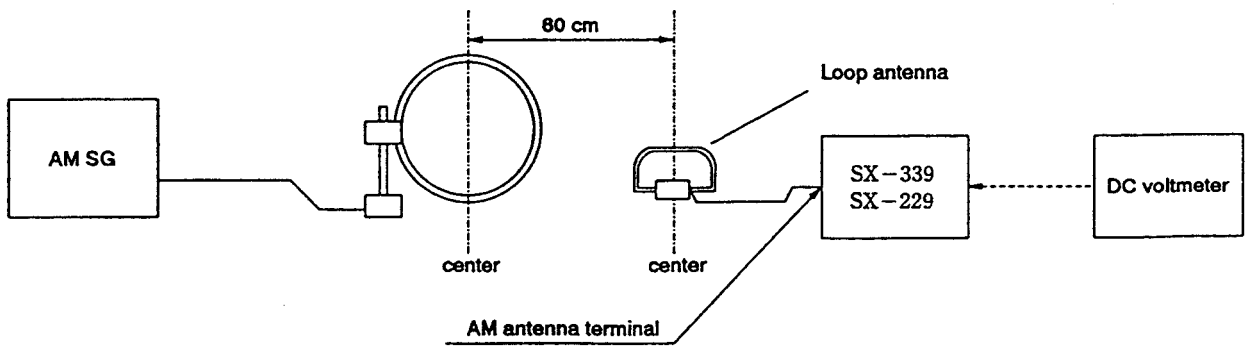


Fig. 4-3 AM Adjustment Connection Diagram

5. FOR SX – 229/HB, YPW AND HEWZ TYPES

NOTES:

- Parts without part number cannot be supplied.
- The Δ mark found on some component parts indicates the importance of the safety factor of the part. Therefore, when replacing, be sure to use parts of identical designation.
- Parts marked by “ \odot ” are not always kept in stock. Their delivery time may be longer than usual or they may be unavailable.

CONTRAST OF MISCELLANEOUS PARTS

The SX – 229/HB, YPW and HEWZ types are the same as the SX – 229/HE type with the exception of the following sections.

Mark	Symbol & Description	Part No.				Remarks
		SX – 229/ HE type	SX – 229/ HB type	SX – 229/ YPW type	SX – 229/ HEWZ type	
	COMPLEX assembly SP SWITCH assembly SP TERMINAL assembly	AWZ3315 Non supply Non supply	AWZ3315 Non supply Non supply	AWZ3315 Non supply Non supply	AWZ3313 Non supply Non supply	
Δ	C1 Power capacitor (0.022/AC400V)	ACG1030	ACG1030	ACG1030	
Δ	C1 Power capacitor (0.1/AC250V)	ACE – 507	
Δ	AC Power cord	ADG1021	ADG1085	ADG – 064	ADG1021	
	Plate	AAK1979	AAK1979	AAK1980	AAK1979	
	Screw (EARTH)	ABA1047	
	FM antenna	ADH1004	ADH1004	ADH1004	
	FM antenna assembly	ADH1002	
	Operating instructions (English, French, German, Italian, Dutch, Swedish, Spanish, Portuguese)	ARE1182	
	Operating instructions (English)	ARB1292	ARB1292	
	Operating instructions (German)	ARC1250	

SP TERMINAL assembly (HEWZ type)

The SP TERMINAL assembly (HEWZ type) is the same as the SP TERMINAL assembly (HE type) with the exception of the following sections.

Mark	Symbol & Description	Part No.		Remarks
		HE type	HEWZ type	
	C951 – C954 C955 – C958	CKDYF103Z50 CKDYB681K50	
	L951 – L954	ATH – 133	
Δ	R951 – R954	RD1/2PMF101J	
Δ	R955, R956	RD1/4PMF100J	

COMPLEX assembly (AWZ3313)

The COMPLEX assembly (AWZ3313) is the same as the COMPLEX assembly (AWZ3315) with the exception of the following sections.

Mark	Symbol & Description	Part No.		Remarks
		AWZ3315	AWZ3313	
	Q111	2SC1740S	
	F101, F102	ATF-126	
	F101	ATF-119	
	F102	ATF-107	
	F112	ATF-146	
	L151, L152	LAU470K	
	L561, L562	ATH1004	ATH1009	
	L701	ATF-151	
	C126, C203, C204	CKMYB681K50	
	C127	CEAS100M50	
	C128	CCDSL330J50	
	C129	CKDYF103Z50	
	C130, C160	ACG1021	ACG1016	
	C151	CEANP4R7M35	CEAS100M50	
	C167	CCCSL101J50	CCCSL221J50	
	C203, 204	CKMYB681K50	
	C205-C224	CKMYB391K50	
	C225, C226	CKDYB821K50	
	C523, C524	CCCSL080D500	CCCSL060D500	
	C527, C528	CKMYB221K50	
	C555, C556, C558	CEAS2R2M100	
	R126	RD1/8PM224J	
	R127	RD1/8PM473J	
	R128, R130	RD1/8PM472J	
	R129	RD1/8PM222J	
	R142	RD1/8PM102J	
	R152	RD1/8PM913J	RD1/8PM753J	
	R159, R160	RD1/8PM822J	RD1/8PM392J	
	R161, R162	RD1/8PM123J	RD1/8PM183J	
	2 Serial F.E. module assembly	AXQ1002	
	4 Serial F.E. module assembly	AXQ1004	
	Antenna terminal (4P)	AKA1010	
	Antenna terminal (2P)	AKA1012	

SP SWITCH assembly (HEWZ type)

The SP SWITCH assembly (HEWZ type) is the same as the SP SWITCH assembly (HE type) with the exception of the following sections.

Mark	Symbol & Description	Part No.		Remarks
		HE type	HEWZ type	
	C571, C572	CKDYB392K50	
⚠	R573, R574	RS1PMF681J	

6. FOR SX – 339/HB AND HEWZ TYPES

NOTES:

- Parts without part number cannot be supplied.
- Parts marked by "⊙" are not always kept in stock. Their delivery time may be longer than usual or they may be unavailable.
- The Δ mark found on some component parts indicates the importance of the safety factor of the part. Therefore, when replacing, be sure to use parts of identical designation.
- When ordering resistors, first convert resistance values into code form as shown in the following examples.

Ex. 1 When there are 2 effective digits (any digit apart from 0), such as 560 ohm and 47k ohm (tolerance is shown by J = 5%, and K = 10%).

560Ω	56 × 10 ¹	561.....	RD1/4PS	⊙	⊙	⊙	J
47kΩ	47 × 10 ³	473.....	RD1/4PS	⊙	⊙	⊙	J
0.5Ω	0R5.....	RN2H	⊙	⊙	⊙	K
1Ω	010.....	RSIP	⊙	⊙	⊙	K

Ex. 2 When there are 3 effective digits (such as in high precision metal film resistors).

5.62kΩ	562 × 10 ¹	5621.....	RN1/4SR	⊙	⊙	⊙	F
--------	-----------------------	-----------	---------	---	---	---	---

CONTRAST OF MISCELLANEOUS PARTS

The SX – 339/HB and HEWZ types are the same as the SX – 339/HE type with the exception of the following sections

Mark	Symbol & Description	Part No.			Remarks
		SX – 339/ HE type	SX – 339/ HB type	SX – 339/ HEWZ type	
	COMPLEX assembly	AWZ3312	AWZ3312	AWZ3311	
	SP SWITCH assembly	Non supply	Non supply	Non supply	
	LINE FILTER assembly	Non supply	
	SP TERMINAL assembly	Non supply	Non supply	Non supply	
Δ	C1 Power capacitor (0.022/AC400V)	ACG1030	ACG1030	
Δ	C1 Power capacitor (0.1/AC250V)	ACE – 507	
Δ	AC Power cord	ADG1021	ADG1085	ADG1021	
	Screw (EARTH)	ABA1047	
	FM antenna	ADH1004	ADH1004	
	FM antenna assembly	ADH1002	
	Operating instructions (English, French, German, Italian, Dutch, Swedish, Spanish, Portuguese)	ARE1182	
	Operating instructions (English)	ARB1292	
	Operating instructions (German)	ARC1250	

COMPLEX assembly (AWZ3311)

The COMPLEX assembly (AWZ3311) is the same as the COMPLEX assembly (AWZ3312) with the exception of the following sections.

Mark	Symbol & Description	Part No.		Remarks
		AWZ3312	AWZ3311	
	Q111	2SC1740S	
	F101, F102	ATF-126	
	F101	ATF-119	
	F102	ATF-107	
	F112	ATF-146	
	L151, L152	LAU470K	
	L561, L562	ATH1004	ATH1009	
	C126, C203, C204	CKMYB681K50	
	C127	CEAS100M50	
	C128	CCDSL330J50	
	C129	CKDYF103Z50	
	C130, C160	ACG1021	ACG1016	
	C151	CEANP4R7M35	CEAS100M50	
	C167	CCCSL101J50	CCCSL221J50	
	C203, C204	CKMYB681K50	
	C205-C224	CKMYB391K50	
	C225, C226	CKDYB821K50	
	C523, C524	CCCSL080D500	CCCSL060D500	
	C527, C528	CCCSL221J50	
	C555, C556, C558	CEAS2R2M100	
	R126	RD1/8PM224J	
	R127	RD1/8PM473J	
	R128, R130	RD1/8PM472J	
	R129	RD1/8PM222J	
	R142	RD1/8PM102J	
	R152	RD1/8PM913J	RD1/8PM753J	
	R159, R160	RD1/8PM822J	RD1/8PM392J	
	R161, R162	RD1/8PM123J	RD1/8PM183J	
	3 Serial F.E. module assembly	AXQ1003	
	4 Serial F.E. module assembly	AXQ1004	
	Antenna terminal (4P)	AKA1010	
	Antenna terminal (2P)	AKA1012	

SP SWITCH assembly (HEWZ type)

The SP SWITCH assembly (HEWZ type) is the same as the SP SWITCH assembly (HE type) with the exception of the following sections.

Mark	Symbol & Description	Part No.		Remarks
		HE type	HEWZ type	
⚠	C571, C572	CKDYB392K50	
	R573, R574	RS1PMF681J	

SP TERMINAL assembly (HEWZ type)

The SP TERMINAL assembly (HEWZ type) is the same as the SP TERMINAL assembly (HE type) with the exception of the following sections.

Mark	Symbol & Description	Part No.		Remarks
		HE type	HEWZ type	
⚠	C951 - C954	CKDYF103Z50	
	C955 - C958	CCDSL271J50	
	L951 - L954	ATH - 133	
	R951 - R954	RD1/2PMF101J	
	R955 - R958	RD1/4PMF100J	

Mark No. Description Parts No.

LINE FILTER ASSEMBLY (HEWZ type)

COIL

L701 LINE FILTER ATF - 151

7. SPECIFICATIONS

Amplifier Section

[SX-339]

Continuous Power Output (both channels driven, DIN)*	
1 kHz, T.H.D. 1 %, 4 Ω	85 W + 85 W
20 Hz — 20 kHz, T.H.D. 0.07 %, 8 Ω	55 W + 55 W
Dynamic power output (with EIA test signal)	
2/4/8 Ω	120/110/80 W
Total Harmonic Distortion*	
1 kHz, 55 W, 8 Ω	0.01 %
20 Hz — 20 kHz, 55 W, 8 Ω	0.07 %
Damping factor 1 kHz, 8 Ω	
	27
Input (Sensitivity/Impedance)	
PHONO	2.5 mV/47 kΩ
CD, VCR/LINE, TAPE 1/DAT, TAPE 2	150 mV/47 kΩ
Phono Overload Level (T.H.D. 0.08 %, 1,000 Hz)	
PHONO	130 mV
Output (Level/Impedance)	
TAPE REC	150 mV/2.2 kΩ
Frequency Response	
PHONO (RIAA Equalization)	20 Hz to 20,000 Hz ± 0.5 dB
CD, VCR/LINE, TAPE 1/DAT, TAPE 2	10 Hz to 70,000 Hz ± ^{0.5} _{3.0} dB
Signal-to-Noise Ratio (IHF, short circuited, A network)	
PHONO	72 dB
CD, VCR/LINE, TAPE 1/DAT, TAPE 2	97 dB
Signal-to-Noise Ratio (DIN, continuous power/50 mW)	
PHONO	67 dB/60 dB
CD, VCR/LINE, TAPE 1/DAT, TAPE 2	88 dB/63 dB
Tone control	
BASS	± 8 dB (100 Hz)
TREBLE	± 8 dB (10 kHz)

[SX-229]

Continuous Power Output (both channels driven, DIN)*	
1 kHz, T.H.D. 1 %, 4 Ω	55 W + 55 W
40 Hz — 20 kHz, T.H.D. 0.07 %, 8 Ω	39 W + 39 W
Dynamic power output (with EIA test signal)	
4/8 Ω	65/55 W
Total Harmonic Distortion*	
1 kHz, 39 W, 8 Ω	0.01 %
40 Hz — 20 kHz, 39 W, 8 Ω	0.07 %
Damping factor 1 kHz, 8 Ω	
	27
Input (Sensitivity/Impedance)	
PHONO	2.5 mV/47 kΩ
CD, VCR/LINE, TAPE 1/DAT, TAPE 2	150 mV/47 kΩ
Phono Overload Level (T.H.D. 0.08 %, 1,000 Hz)	
PHONO	130 mV
Output (Level/Impedance)	
TAPE REC	150 mV/2.2 kΩ
Frequency Response	
PHONO (RIAA Equalization)	20 Hz to 20,000 Hz ± 0.5 dB
CD, VCR/LINE, TAPE 1/DAT, TAPE 2	10 Hz to 70,000 Hz ± ^{0.5} _{3.0} dB
Signal-to-Noise Ratio (IHF, short circuited, A network)	
PHONO	72 dB
CD, VCR/LINE, TAPE 1/DAT, TAPE 2	97 dB
Signal-to-Noise Ratio (DIN, continuous power/50 mW)	
PHONO	67 dB/60 dB
CD, VCR/LINE, TAPE 1/DAT, TAPE 2	88 dB/63 dB
Tone control	
BASS	± 8 dB (100 Hz)
TREBLE	± 8 dB (10 kHz)

FM Tuner Section

Frequency range	87.5 MHz to 108 MHz
Usable Sensitivity	
Model SX-229	12.1 dBf, IHF (1.1 μV/75 Ω)
Model SX-339	11.3 dBf, IHF (1.0 μV/75 Ω)
50 dB Quieting Sensitivity	
Model SX-229	
MONO	17.3 dBf (2.0 μV/75 Ω)
STEREO	40.2 dBf (28 μV/75 Ω)
Model SX-339	
MONO	16.4 dBf (1.8 μV/75 Ω)
STEREO	38.1 dBf (22 μV/75 Ω)
Sensitivity (DIN)	
MONO	0.9 μV/75 Ω
STEREO	29 μV/75 Ω
Signal-to-Noise Ratio	
MONO	78 dB (at 85 dBf)
STEREO	73 dB (at 85 dBf)
Signal-to-Noise Ratio (DIN)	
MONO	70 dB
STEREO	66 dB
Distortion	
STEREO	0.3 % (1 kHz)
Alternate Channel Selectivity	55 dB (400 kHz)
Stereo Separation	40 dB (1 kHz)
Frequency Response	30 Hz to 15 kHz (± 1 dB)
Antenna Input	300 Ω balanced, 75 Ω unbalanced

AM Tuner Section

Frequency range	531 kHz to 1,602 kHz
Sensitivity	
IHF, Loop antenna	300 μV/m
Selectivity	25 dB
Signal-to-Noise Ratio	53 dB
Antenna	AM Loop Antenna

Miscellaneous

Power Requirements	a.c. 240 Volts ~, 50/60 Hz
Power Consumption	
Model SX-229	250 W
Model SX-339	500 W
Dimensions	420 (W) X 125 (H) X 336 (D) mm
Weight (without package)	
Model SX-229	5.9 kg
Model SX-339	7.0 kg

Furnished Parts

FM T-type Antenna	1
AM Loop Antenna	1
Operating Instructions	1

[SX-339 only]

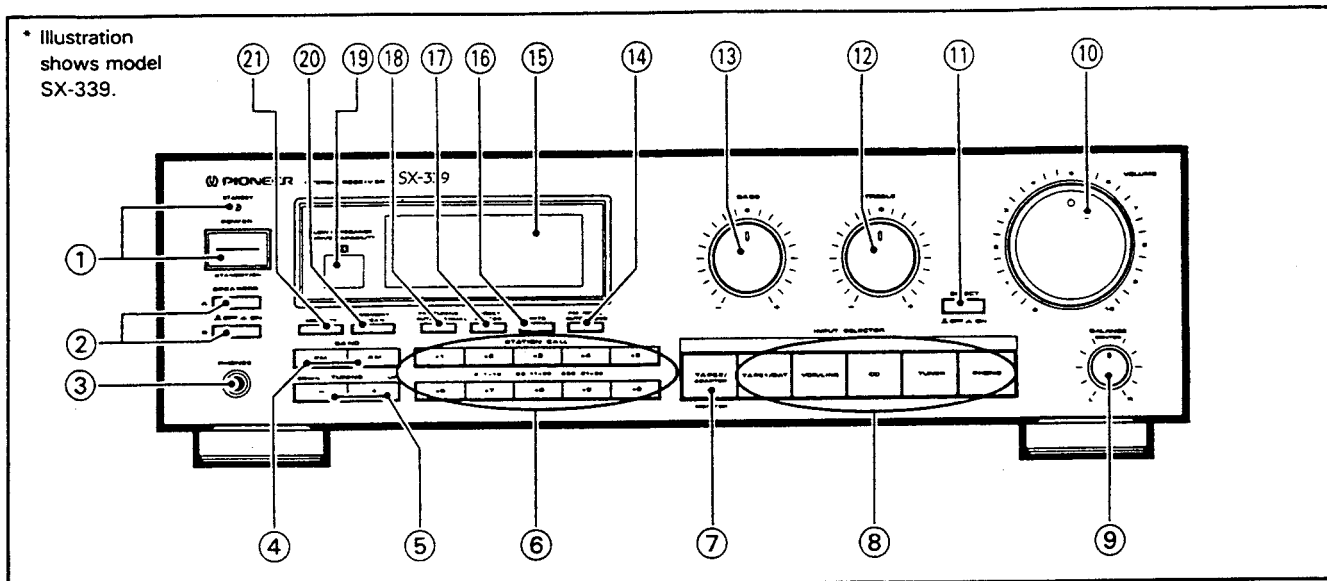
Remote control unit	1
Dry cell battery (size "AAA" (IEC R03/UM-4))	2

NOTE:

Specifications and design subject to possible modification without notice due to improvements.

* Measured by audio spectrum analyzer.

8. PANEL FACILITIES



[SX-339]

① POWER (STANDBY/ON) switch/indicator

This is the switch for electric power.

ON: When set to the ON position, power is supplied and the unit becomes operational.

STANDBY: When set to the STANDBY position, the main power flow is cut and the unit is no longer fully operational. A minute flow of power feeds the unit to maintain operation readiness.

When the STANDBY indicator lights, the unit is in STANDBY.

- The accessory remote control unit can also be used to operate the STANDBY/ON and SLEEP functions of this switch.
- When not using the unit for a long period, disconnected the power cord.

[SX-229]

① POWER switch

When this switch is pressed, power is supplied to the unit. Press the switch again to turn power OFF.

[Timer ON/OFF possible]

When the unit is switched ON, ON/OFF control can be performed by means of the optional timer.

NOTE (SX-229, SX-339):

When the power is initially turned ON, muting will be applied to prevent sound from being output for about 5 seconds.

② SPEAKERS buttons (■ OFF, ▲ ON)

These are used to select the speaker through which you wish to listen.

A: When the speakers connected to A terminals are in use.

B: When the speakers connected to B terminals are in use.

- Turn both A and B speakers to the OFF position when only headphones are in use.

NOTE FOR SX-229:

No sound will be heard through the speakers when both A and B buttons are depressed if only one set of speakers has been connected to either A or B SPEAKERS terminals.

③ PHONES jack

Connect the plug on your headphones to this jack. To listen to a program through the headphones, set both SPEAKERS A and B buttons to the OFF position.

④ BAND Selector buttons

These buttons are used to select either AM or FM reception.

AM: Push this button for AM reception.

FM: Push this button for FM reception.

⑤ TUNING buttons (DOWN, UP)

UP: The FM or AM band is scanned in the direction of increasing frequency.

DOWN: The opposite operation to that of the UP button takes place.

⑥ STATION CALL buttons

These buttons are used to preset and recall desired broadcasting stations.

⑦ TAPE 2/ADAPTOR MONITOR button

Switch on when using a cassette deck or audio adaptor component connected to the TAPE 2/ADAPTOR jacks.

⑧ INPUT SELECTOR buttons

Use to select playback source.

[TAPE 1 /DAT] — Press when listening to tape playback with the cassette deck 1 or digital audio tape deck.

[VCR/LINE] — Press when listening to programs from a component connected to the VCR/LINE terminals.

[CD] — Press when listening to compact disc playback on a CD player.

[TUNER] — Press when listening to AM or FM broadcasts.

[PHONO] — Press when listening to record playback on a turntable.

⑨ BALANCE control

Should normally be left in the center position. Adjust balance if the sound is louder from one of the speakers. If the right side is louder, turn toward the L position and if the left side is louder, turn toward the R position.

NOTE:

This control does not operate when the DIRECT button is in the ON position.

⑩ VOLUME control

Use to adjust volume level.

⑪ DIRECT button (■ OFF, ▲ ON)

Use this button when you do not wish to pass the output from input terminal through the various frequency adjusting circuits (TREBLE, BASS). When this button is on, the BALANCE control does not operate.

⑫ TREBLE tone control

Use to adjust high-frequency tone. The center position is the flat (normal) position. When turned to the right, high-frequency tones are emphasized; when turned to the left, high-frequency tones are de-emphasized.

NOTE:

- At volume levels lower than "4" the set tone control effect is obtained.
- At volume levels higher than "4" the effect becomes increasingly weaker.
- Near maximum volume, there is no effect.
- This control does not operate when the DIRECT button is in the ON position.

⑬ BASS tone control

Use to adjust the low-frequency tone. The center position is the flat (normal) position. When turned to the right, low-frequency tones are emphasized; when turned to the left, low-frequency tones are de-emphasized.

NOTE:

- At volume levels lower than "4" the set tone control effect is obtained.
- At volume levels higher than "4" the effect becomes increasingly weaker.
- Near maximum volume, there is no effect.
- This control does not operate when the DIRECT button is in the ON position.

⑭ FM MODE AUTO/MONO selector button

Use to select the auto stereo mode or monaural mode when listening to FM broadcasts. The monaural mode has been selected when the FM MONO indicator is lit.

Auto stereo mode:

Normally leave in this mode for reception. When a stereo FM broadcast is received, it will be automatically reproduced in stereo sound.

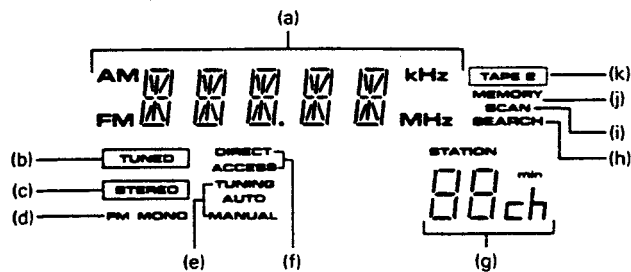
Monaural mode:

When receiving distant stations or stations with weak broadcast signals, the input signal may be weak, thus resulting in increased noise during FM stereo broadcasts. In this event, setting the receiver to the monaural mode will reduce the noise. In this case, however, FM stereo broadcasts will be reproduced in monaural sound.

NOTE:

This button has no effect on reception of AM broadcasts.

⑮ OPERATION DISPLAY panel



- (a) Indicates the function or frequency (SX-229, SX-339) or SLEEP (SX-339 only).
- (b) TUNED indicator
- (c) FM STEREO indicator
- (d) FM MONO indicator
- (e) TUNING AUTO/MANUAL indicator
- (f) DIRECT ACCESS tuning indicator
- (g) Indicates channel, STATION CALL number (SX-229, SX-339) or sleep time (SX-339 only).
- (h) SEARCH indicator (SX-339 only)
- (i) SCAN indicator
- (j) MEMORY indicator
- (k) TAPE 2 monitor indicator.

⑯ HITS (Hyper Intelligent Tuning System) button (SX-339 only)

Press this button to automatically search for and tune in broadcasts that can be received.

⑰ DIRECT ACCESS tuning button

When this button is pressed, the STATION CALL buttons function as ten-key number buttons for direct input of the desired reception frequency. Press again to cancel this mode.

If the input station falls outside of the receiver's tuning range, the display section will display a message: "UPPER" if the frequency is too high and "LOWER" if it is too low.

⑱ FM TUNING AUTO/MANUAL button

Works during FM reception.

Use this button to select either the AUTO mode or the MANUAL mode.

When the "AUTO" indicator is lit, the receiver is in the AUTO mode

⑲ Remote sensor window (SX-339 only)

⑳ MEMORY SCAN button

This button is used for station memory scan.

㉑ MEMORY button

When the unit is in the frequency display mode, pressing this button will result in the memorization of the current broadcast band, reception frequency, and FM AUTO/MONO mode.