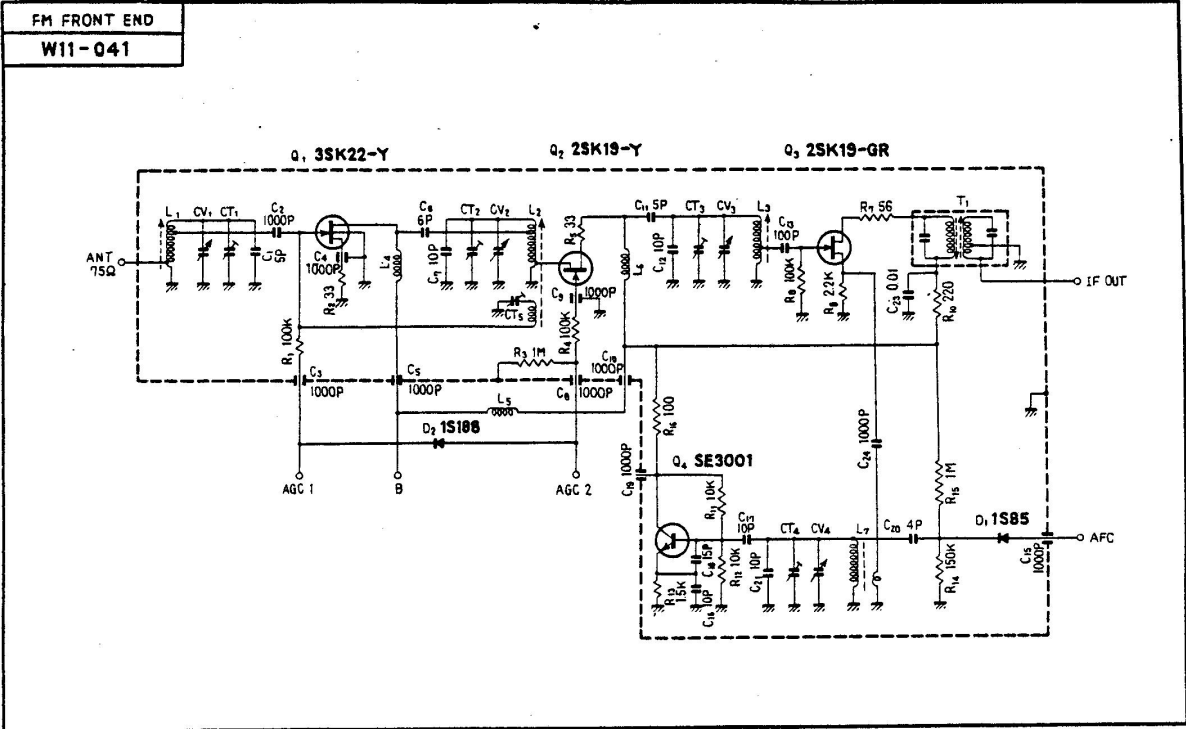
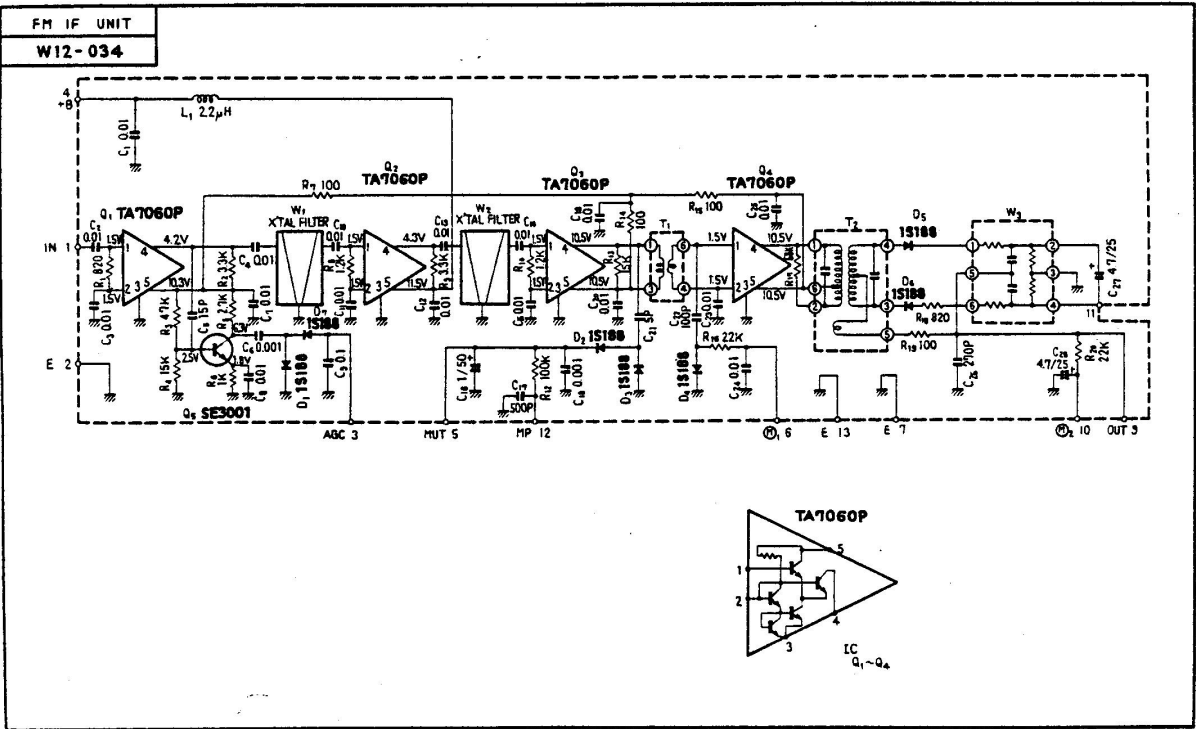




FM FRONT END

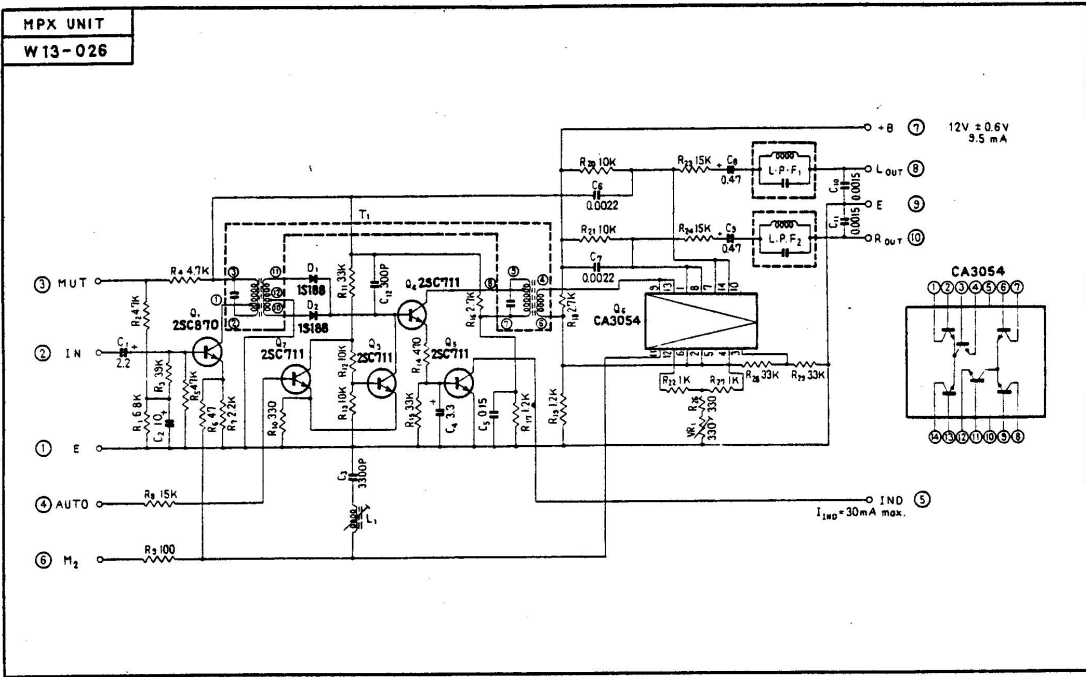


FM IF UNIT



**MPX UNIT**

MPX UNIT  
W13-026

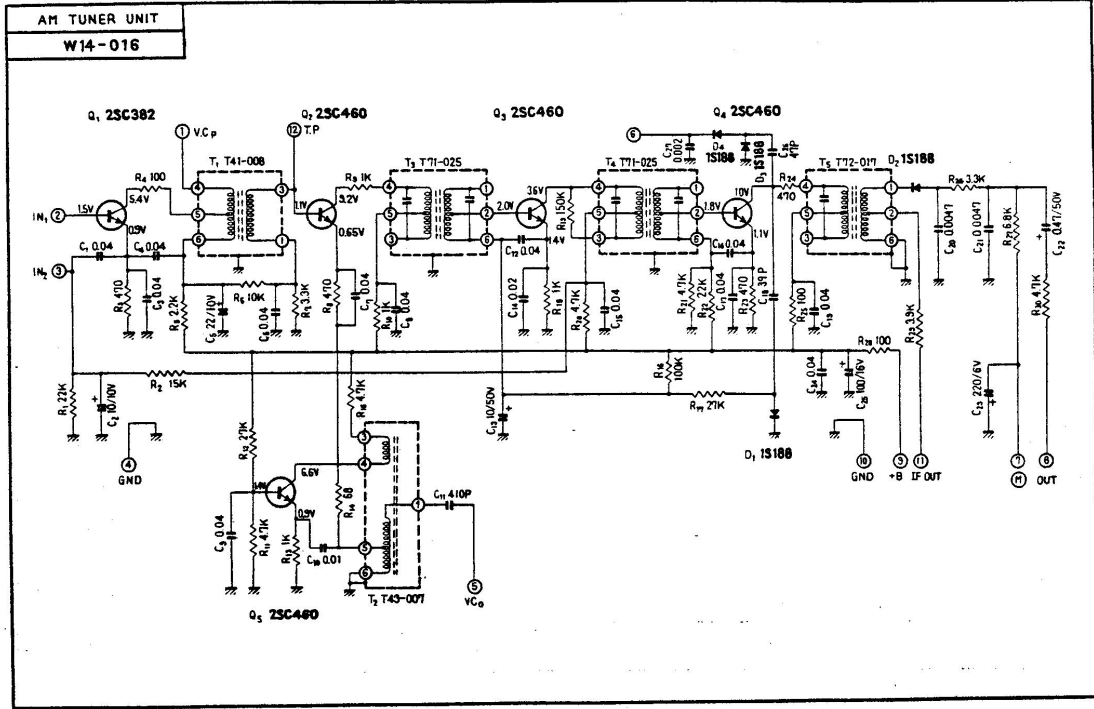


MUT

MU  
W

**AM TUNER UNIT**

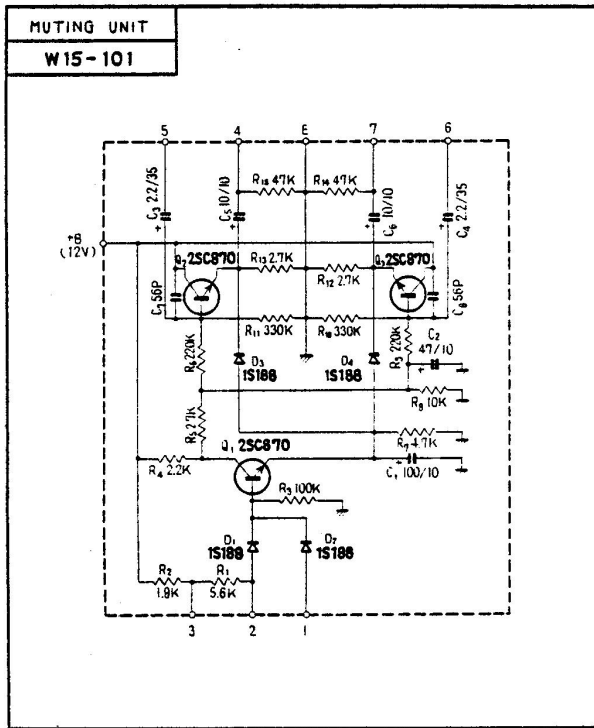
AM TUNER UNIT  
W14-016



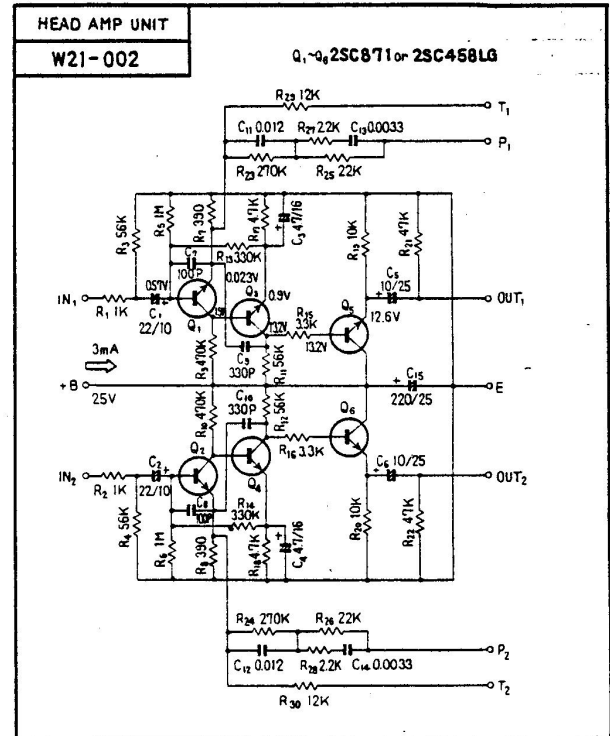
COI

COI

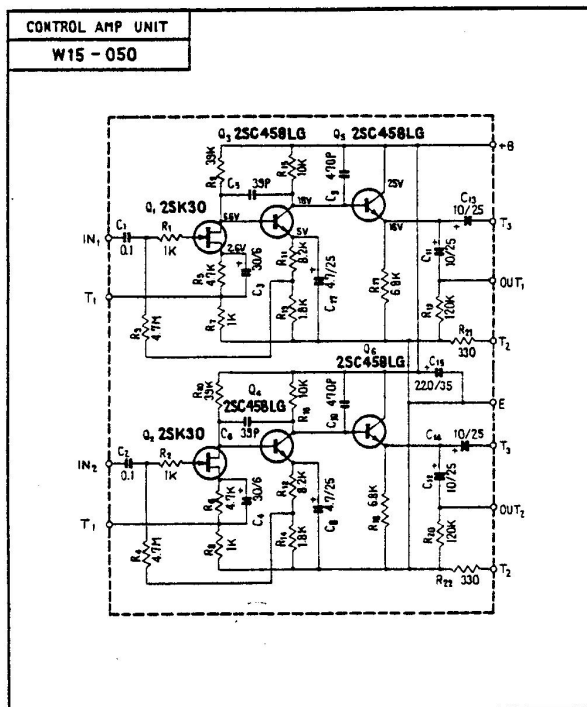
MUTING UNIT



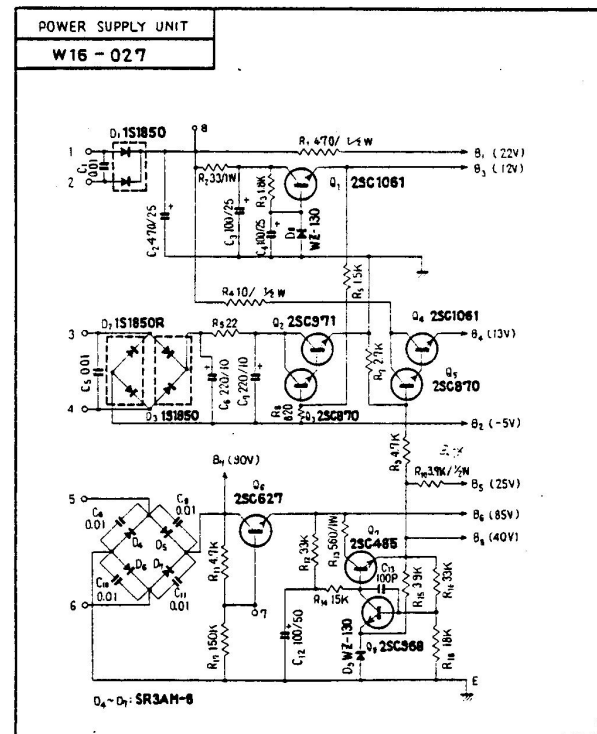
HEAD AMP UNIT



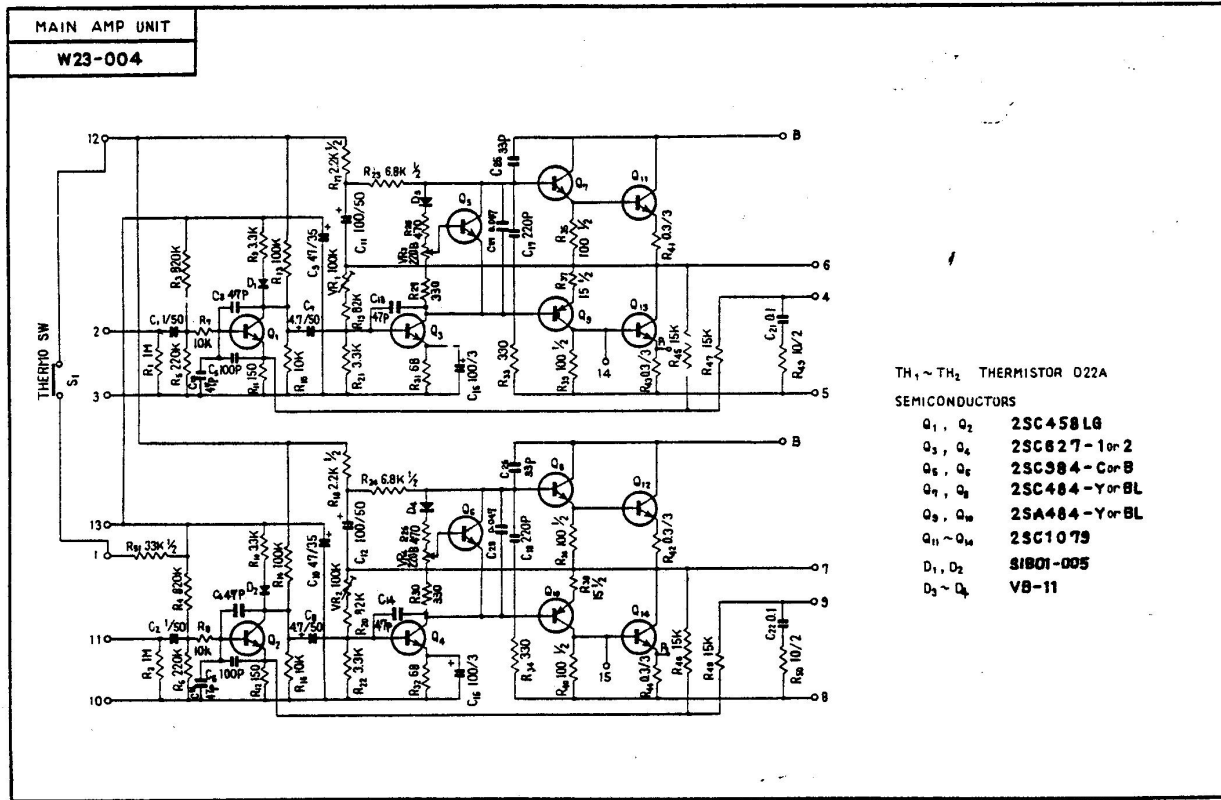
CONTROL AMP UNIT



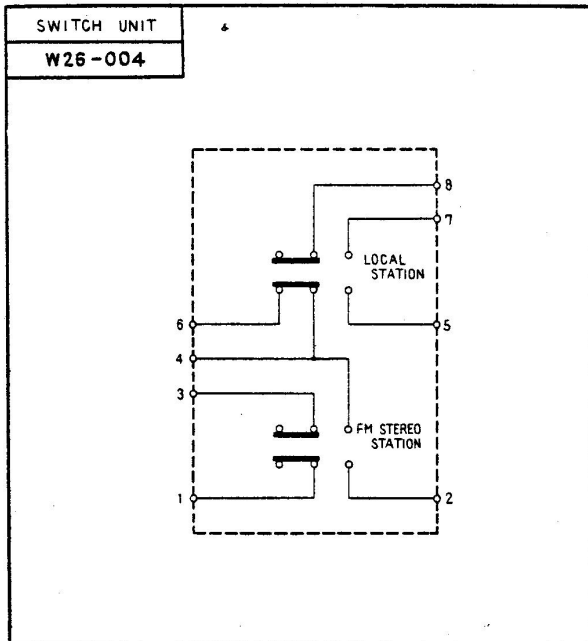
POWER SUPPLY UNIT



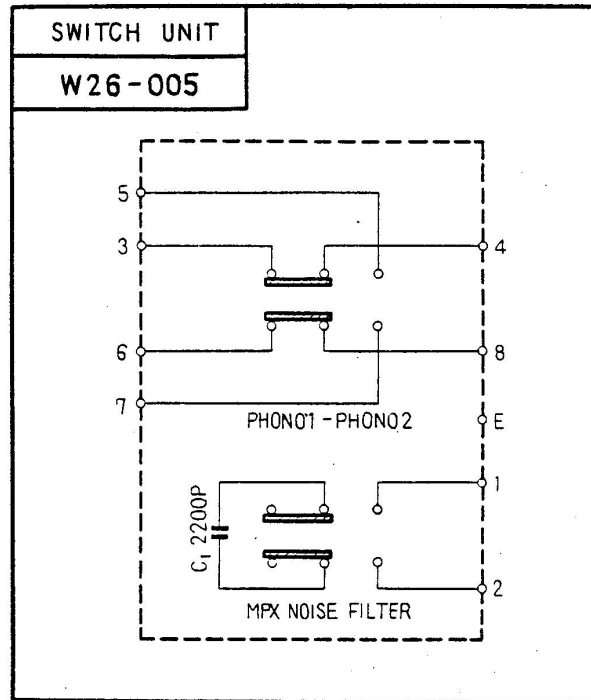
# MAIN AMP UNIT



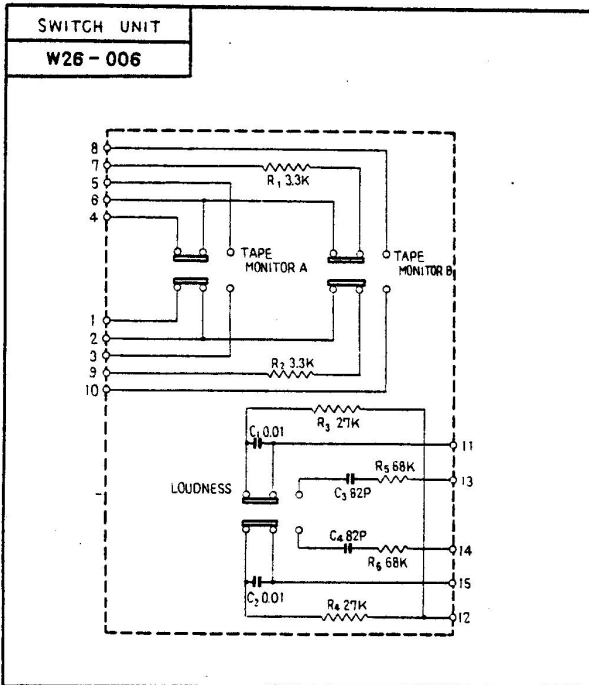
# SWITCH UNIT



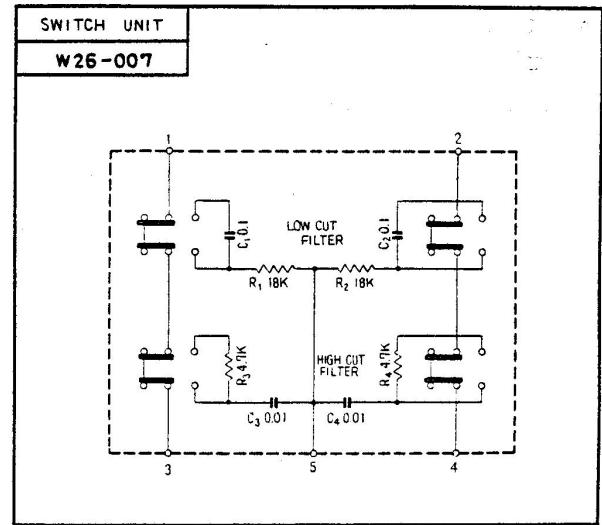
# SWITCH UNIT



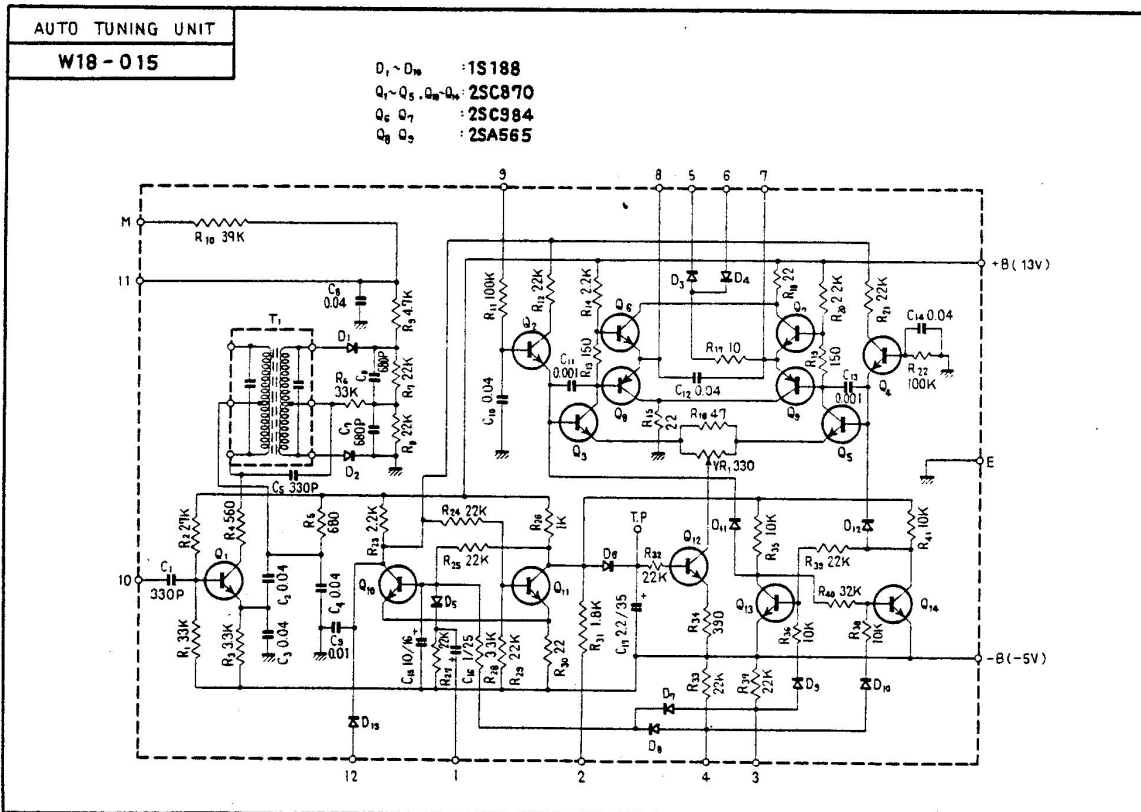
SWITCH UNIT



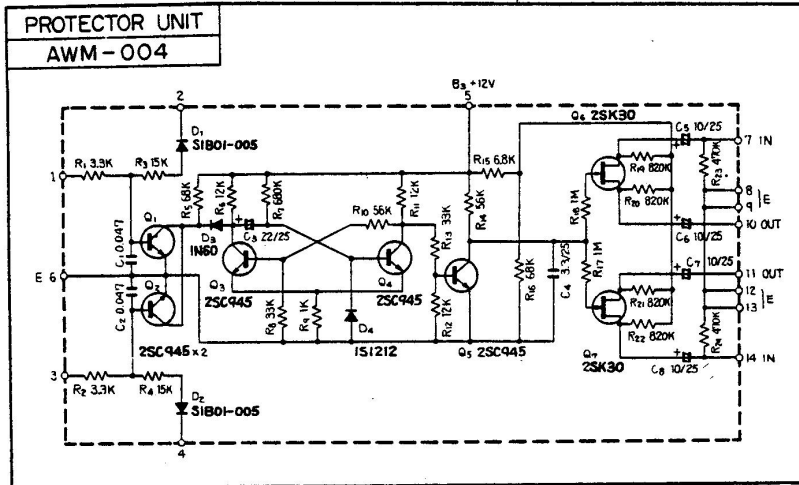
SWITCH UNIT



AUTO TUNING UNIT



# PROTECTOR UNIT



# INDICATOR UNIT

