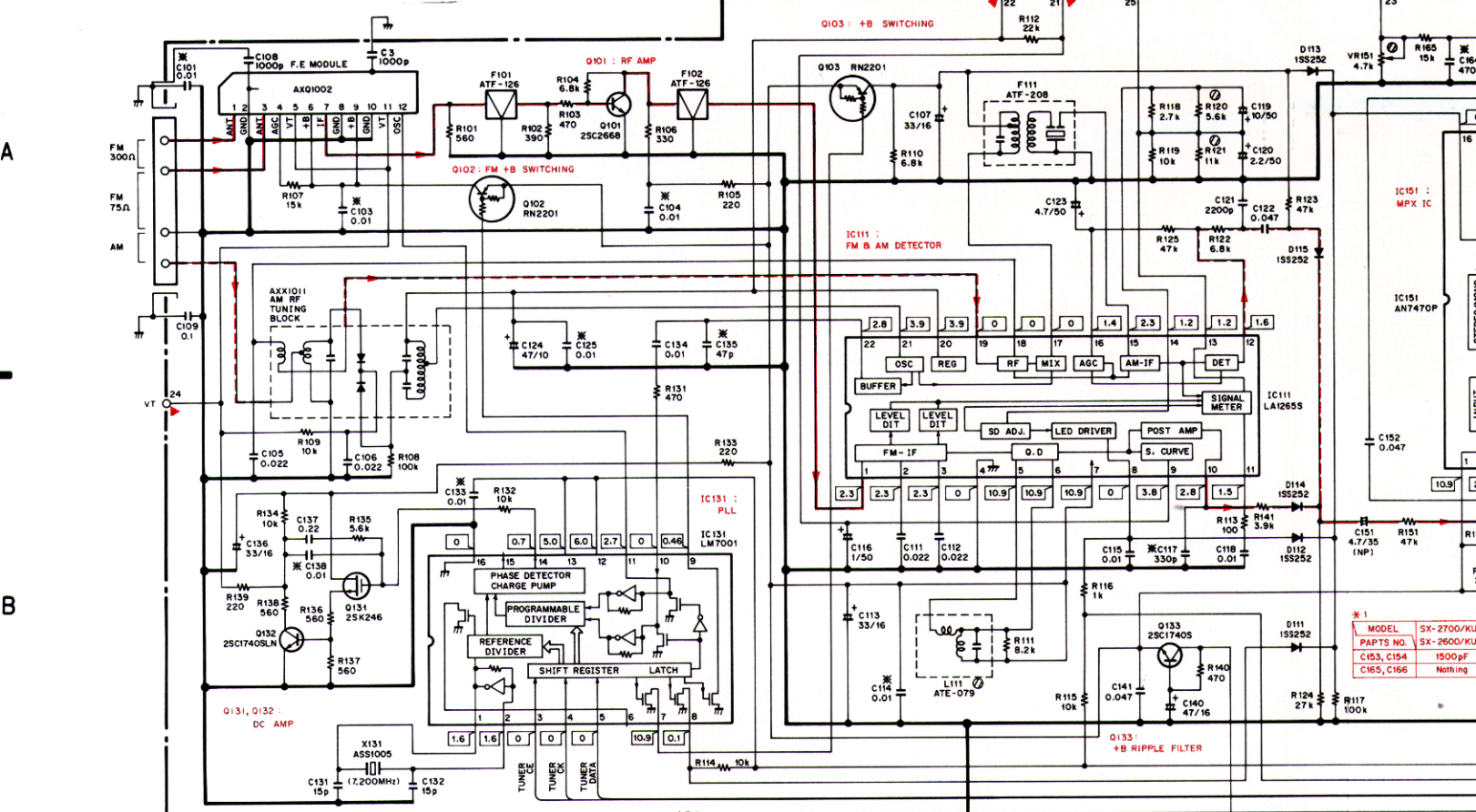
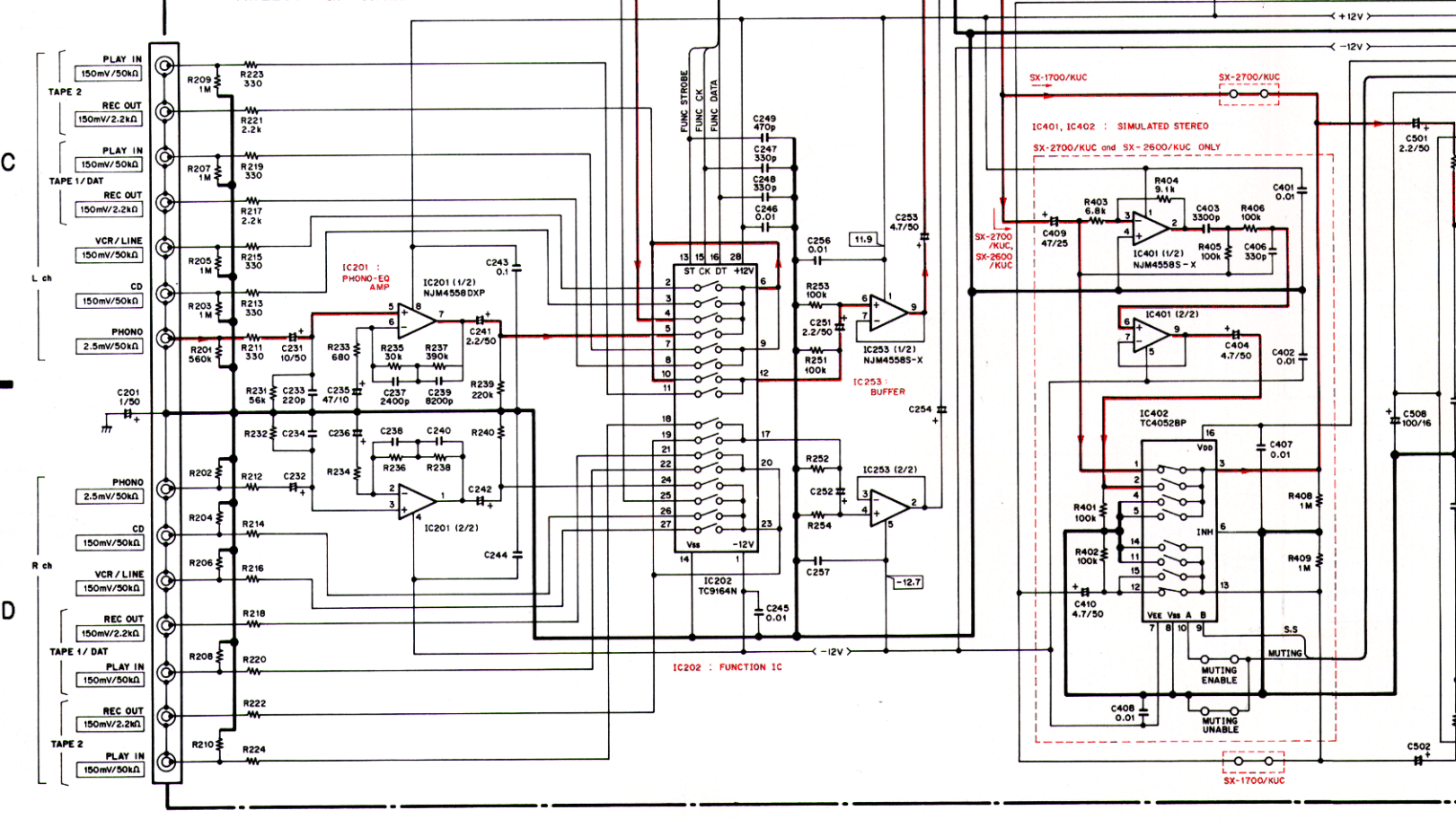
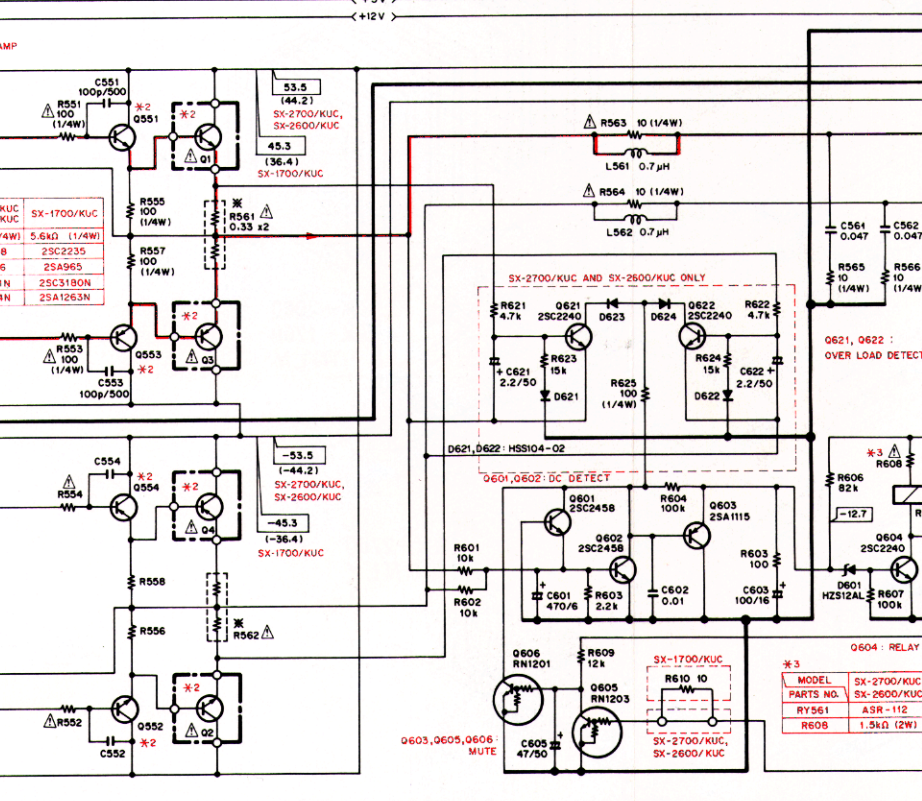
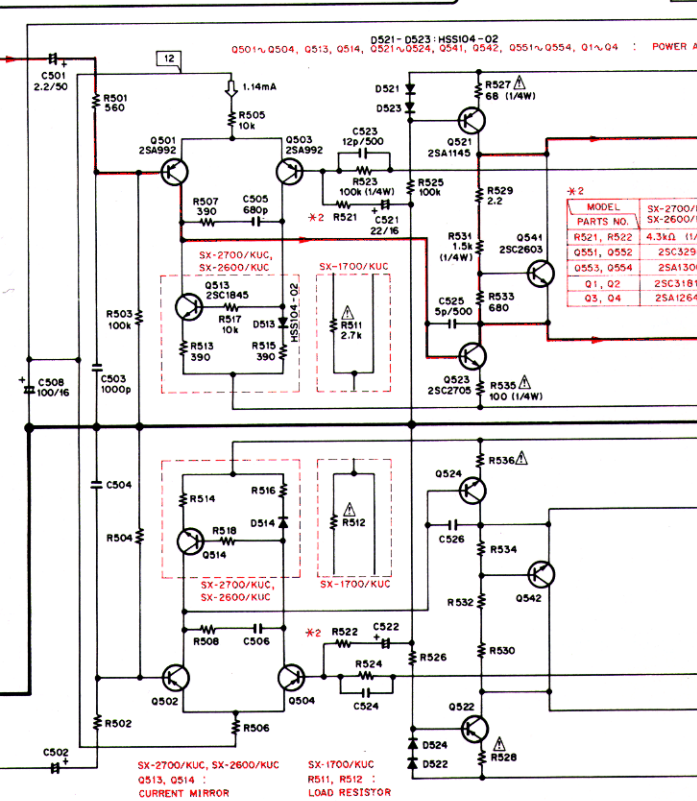
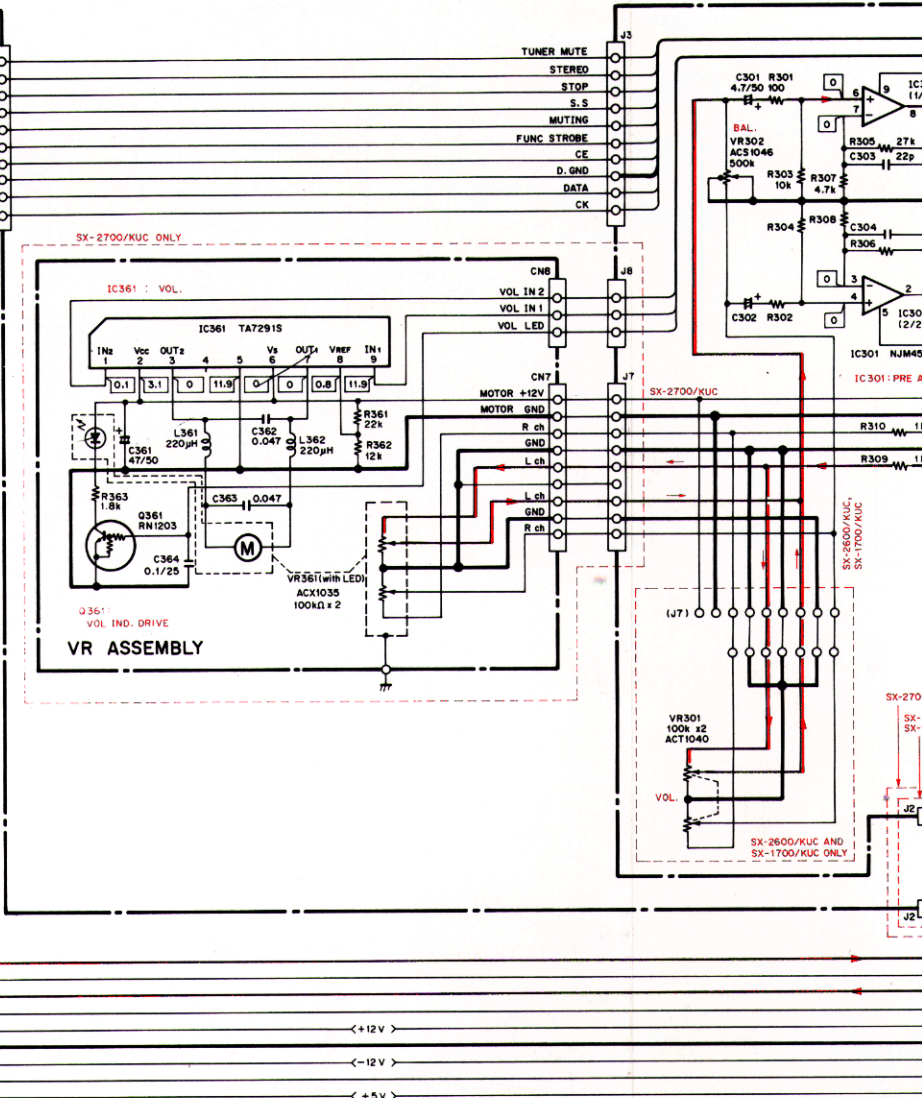
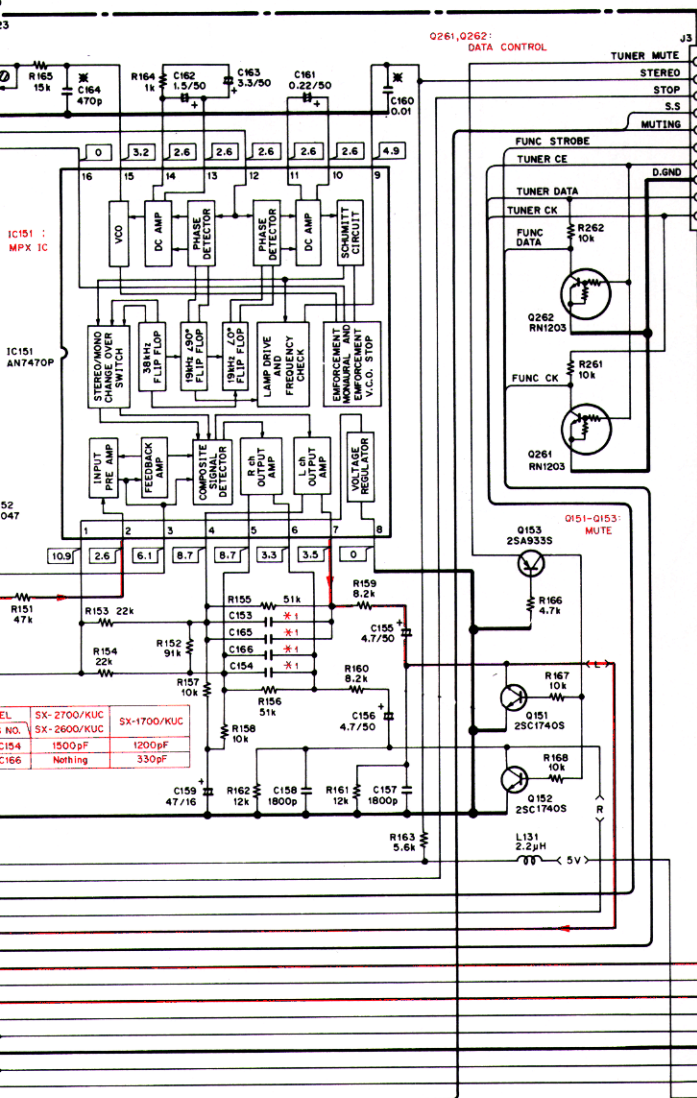


3. SCHEMATIC DIAGRAM



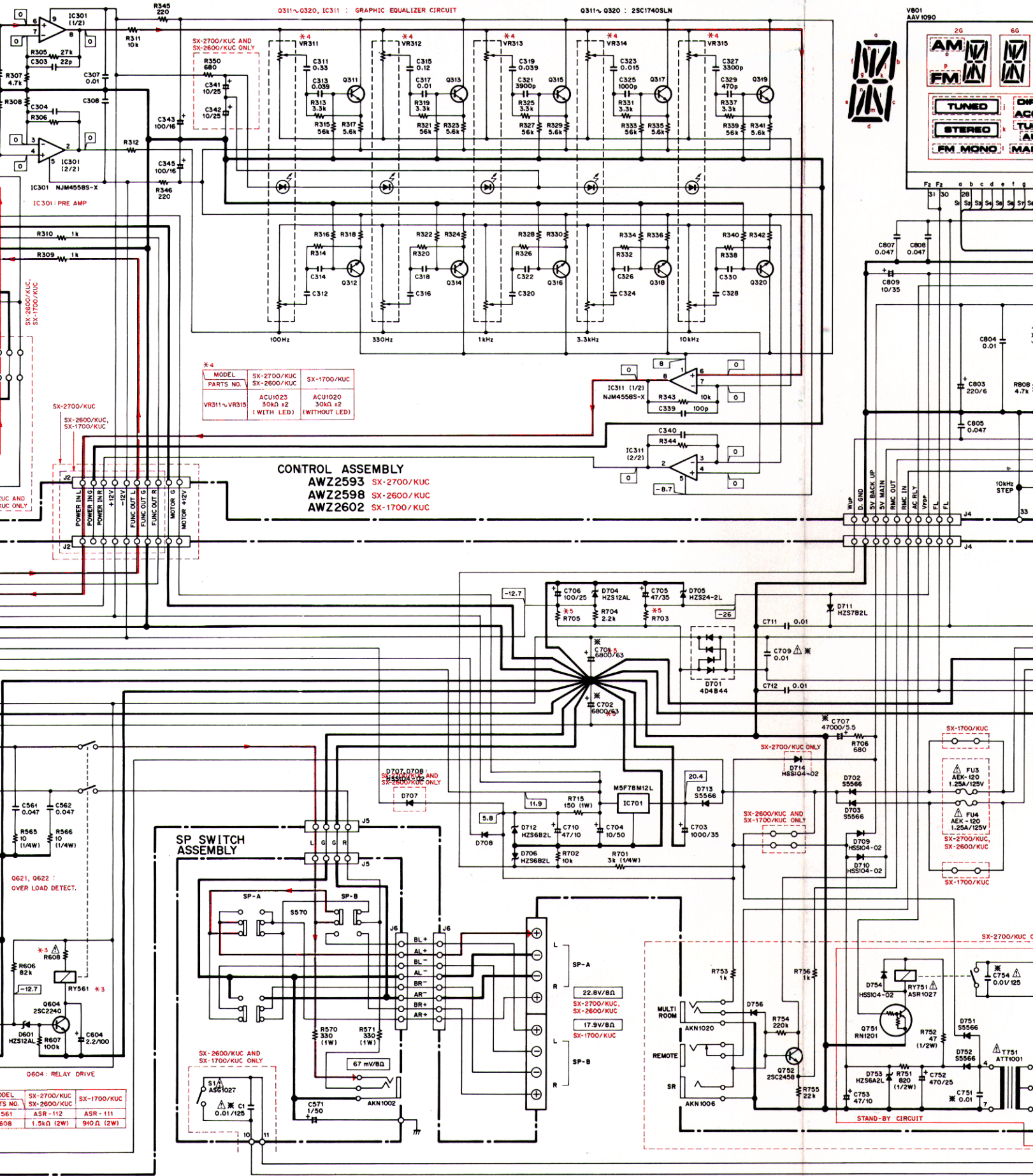
COMPLEX ASSEMBLY
AWZ2592 SX-2700/KUC
AWZ2597 SX-2600/KUC
AWZ2601 SX-1700/KUC





MODEL	SX-2700/KUC	SX-1700/KUC
PARTS NO.	SX-2600/KUC	SX-1700/KUC
R521, R522	4.3kΩ (1/4W)	5.6kΩ (1/4W)
Q51, Q52	2SC3298	2SC2235
Q53, Q54	2SA1306	2SA365
Q1, Q2	2SC181N	2SC180N
Q3, Q4	2SA1264N	2SA1263N

MODEL	SX-2700/KUC
PARTS NO.	SX-2600/KUC
RY561	ASR-112
R608	1.5kΩ (2W)



Q311~Q320, IC311 : GRAPHIC EQUALIZER CIRCUIT

Q311~Q320 : 25C1740SLM

V801 AAV1090

MODEL	SX-2700/KUC	SX-1700/KUC
PARTS NO.	ACU1023	ACU1020
	30kΩ ±2	(WITHOUT LED)
VR311~VR315	30kΩ ±2	(WITH LED)

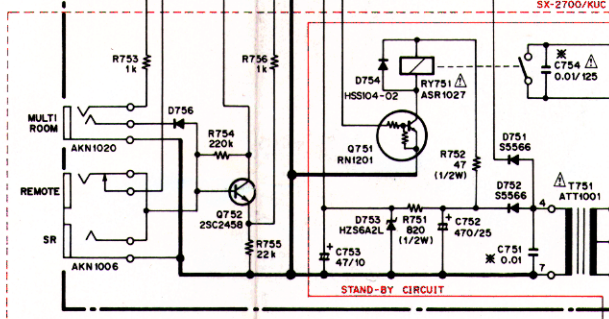
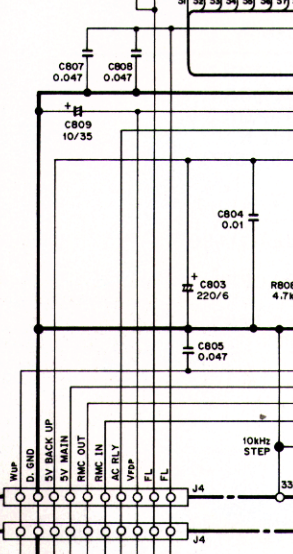
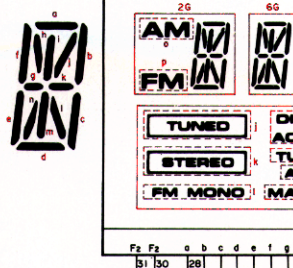
CONTROL ASSEMBLY
 AWZ2593 SX-2700/KUC
 AWZ2598 SX-2600/KUC
 AWZ2602 SX-1700/KUC

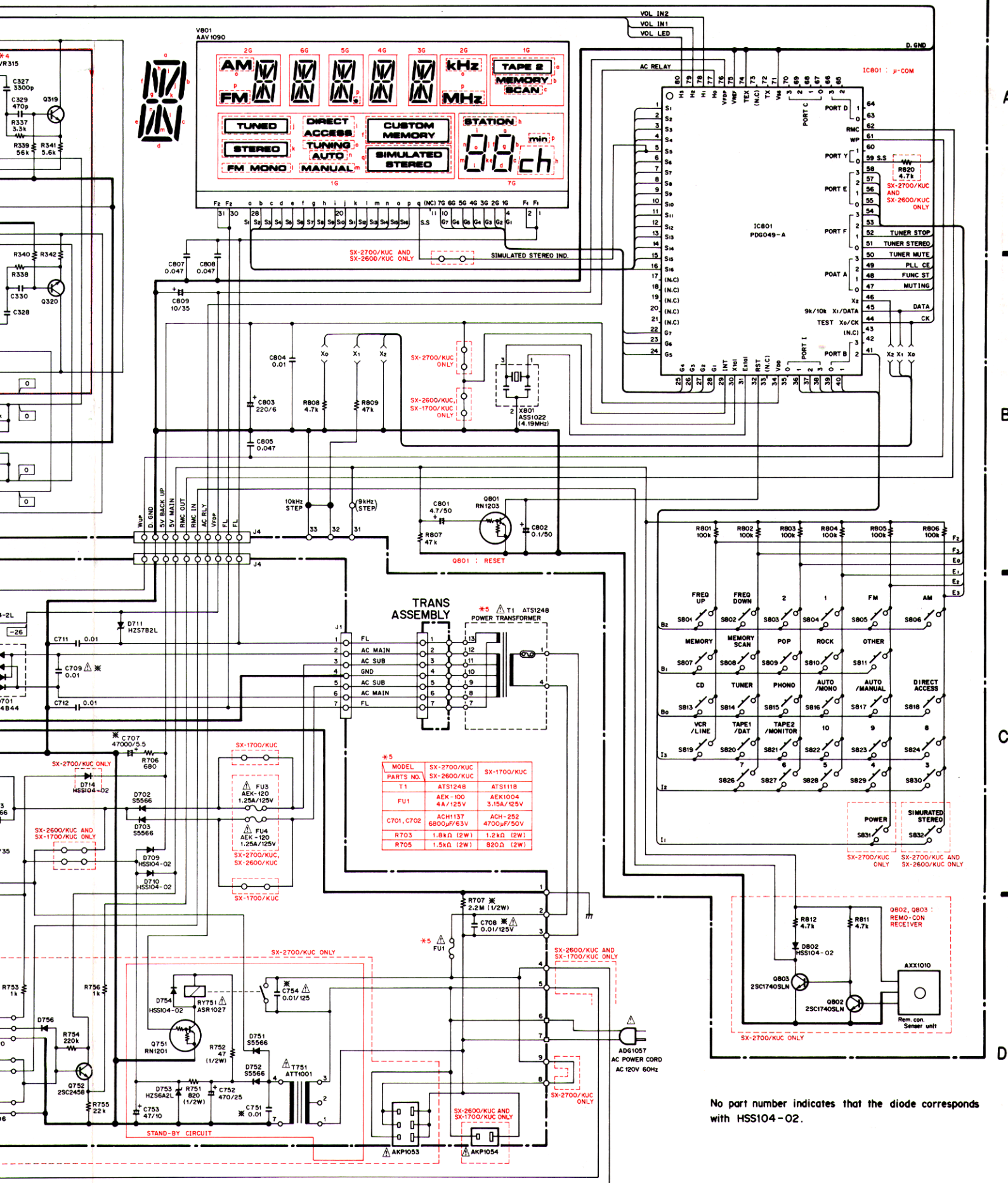
SP SWITCH ASSEMBLY

Q621, Q622 : OVER LOAD DETECT.

Q604 : RELAY DRIVE

MODEL	SX-2700/KUC	SX-1700/KUC
PARTS NO.	ASR-112	ASR-111
	43R-112	43R-111
	561	508
	1.5kΩ (12W)	910Ω (12W)





*5

MODEL	SX-2700/KUC	SX-2600/KUC	SX-1700/KUC
T1	ATS1248	ATS1118	
FU1	AEK-100 4A/125V	AEK1004 3.15A/125V	
C701, C702	ACH137 6800µF/63V	ACH-252 4700µF/50V	
R703	1.8kΩ (2W)	1.2kΩ (2W)	
R705	1.5kΩ (2W)	820Ω (2W)	

No part number indicates that the diode corresponds with HSS104-02.