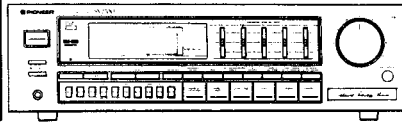


# Service Manual



ORDER NO.  
ARP1893

STEREO RECEIVER

# SX-2700

## SX-2600

## SX-1700

MODEL SX-2700, SX-2600 AND SX-1700 HAVE FOLLOWING VERSIONS:

Type	Applicable model			Power requirement	Export destination
	SX-2700	SX-2600	SX-1700		
KUC	○	○	○	AC120V only	U.S.A. and Canada
SD	○	—	○	AC110V, 120V-127V, 220V, 240V (switchable)	Kingdom of Saudi Arabia and general market

- This manual is applicable to the SX-2700/KUC, SX-2600/KUC and SX-1700/KUC types.
- As to the other types, refer to applicable service manuals.
- Ce manuel pour le service comprend les explications de réglage en français.
- Este manual de servicio trata del método ajuste escrito en español.

## CONTENTS

1. SAFETY INFORMATION .....	2	7. FOR SX-2600/KUC AND SX-1700/KUC	
2. EXPLODED VIEWS AND PARTS LIST .....	3	TYPES .....	28
3. SCHEMATIC DIAGRAM .....	7	8. PANEL FACILITIES .....	31
4. P.C. BOARD CONNECTION DIAGRAM .....	11	9. SPECIFICATIONS .....	34
5. ELECTRICAL PARTS LIST .....	19		
6. ADJUSTMENTS .....	22		
RÉGLAGE .....	24		
AJUSTE .....	26		

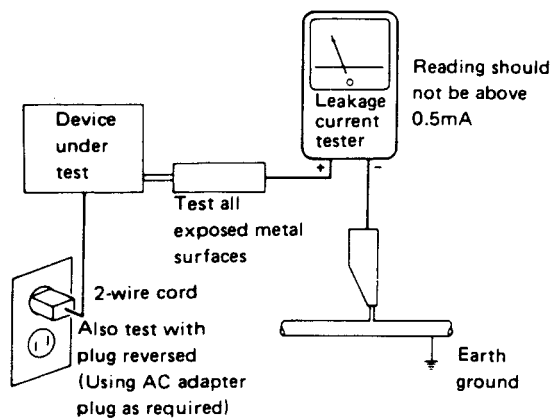
# 1. SAFETY INFORMATION

## 1. SAFETY PRECAUTIONS

The following check should be performed for the continued protection of the customer and service technician.

### LEAKAGE CURRENT CHECK

Measure leakage current to a known earth ground (water pipe, conduit, etc.) by connecting a leakage current tester such as Simpson Model 229-2 or equivalent between the earth ground and all exposed metal parts of the appliance (input/output terminals, screwheads, metal overlays, control shaft, etc.). Plug the AC line cord of the appliance directly into a 120V AC 60Hz outlet and turn the AC power switch on. Any current measured must not exceed 0.5mA.



AC Leakage Test

**ANY MEASUREMENTS NOT WITHIN THE LIMITS OUTLINED ABOVE ARE INDICATIVE OF A POTENTIAL SHOCK HAZARD AND MUST BE CORRECTED BEFORE RETURNING THE APPLIANCE TO THE CUSTOMER.**

## 2. PRODUCT SAFETY NOTICE

Many electrical and mechanical parts in the appliance have special safety related characteristics. These are often not evident from visual inspection nor the protection afforded by them necessarily can be obtained by using replacement components rated for voltage, wattage, etc. Replacement parts which have these special safety characteristics are identified in this Service Manual.

Electrical components having such features are identified by marking with a ⚠ on the schematics and on the parts list in this Service Manual.

The use of a substitute replacement component which does not have the same safety characteristics as the PIONEER recommended replacement one, shown in the parts list in this Service Manual, may create shock, fire, or other hazards.

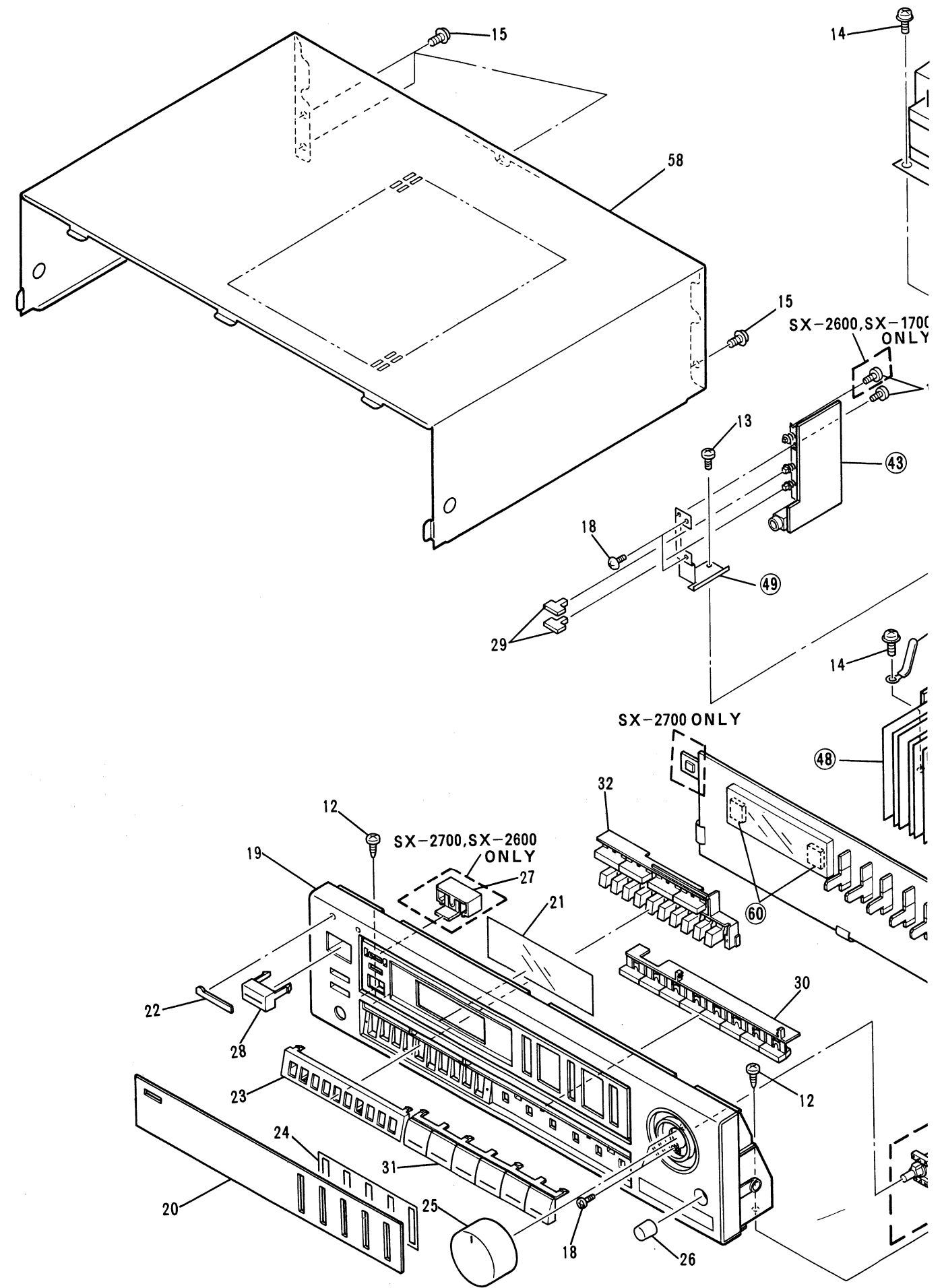
Product Safety is continuously under review and new instructions are issued from time to time. For the latest information, always consult the current PIONEER Service Manual. A subscription to, or additional copies of, PIONEER Service Manual may be obtained at a nominal charge from PIONEER.

## 2. EXPLODED VIEWS AND PARTS LIST

### NOTES:

- Parts without part number cannot be supplied.
- The  $\Delta$  mark found on some component parts indicates the importance of the safety factor of the part. Therefore, when replacing, be sure to use parts of identical designation.
- Parts marked by "●" are not always kept in stock. Their delivery time may be longer than usual or they may be unavailable.

Mark	No.	Parts No.	Description	Mark	No.	Parts No.	Description
$\Delta$	1	2SA1264N	TRANSISTOR Q 3		51		PCB SUPORT
$\Delta$	2	2SA1264N	TRANSISTOR Q 4		52		PCB SUPORT
$\Delta$	3	2SC3181N	TRANSISTOR Q 1		53		PCB SUPORT
$\Delta$	4	2SC3181N	TRANSISTOR Q 2		54		CLAMPER
$\Delta$	5	ATS1248	POWER TRANSFORMER T1		55		TRANS ASS'Y
$\Delta$	6	AEK-100	FUSE ( 4A )FU1		56	ABA1011	SCREW
$\Delta$	7	AEK-120	FUSE (1.25A)FU3		57		.....
$\Delta$	8	AEK-120	FUSE (1.25A)FU4		58	ANE1215	BONNET CASE
$\Delta$	9	ADG1057	AC POWER CORD		59		.....
$\Delta$	10	AEC-784	CABINET BUMPER		60	AEB1120	FL SPACER
	11	AEE1014	SHEET		61		"AAA" DRY CELL
	12	ABA-298	SCREW		62	AHG1016	SHEET
	13	ABA1009	SCREW (STEEL)				
	14	ABA1021	SCREW				
	15	BBZ30P080FZK	SCREW (STEEL)				
	16	ABA1082	SCREW				
	17	BPZ26P080FMC	SCREW				
	18	VMZ30P060FCU	SCREW				
	19	AMB1564	FRONT PANEL				
	20	AAK1903	ACRYLIC PANEL				
	21	AAK1833	PLATE				
	22	AAM1029	NAME PLATE (METAL)				
	23	AAP1111	STATION SASH				
	24	AAP1112	EQUALIZER SASH				
	25	AAB1119	MASTER VOL ASSY				
	26	AAB1133	ROTARY KNOB				
	27	AAD1660	S.S.PUSH KNOB				
	28	AAD1661	KNOB (PLASTIC)				
	29	AAD1662	KNOB(SPEAKER)				
	30	AAD1663	FUNCTION KNOB(TUNER)				
	31	AAD1664	FUNCTION KNOB				
	32	AAD1665	STATION KNOB				
	33	ARB1213	OPERATING INSTRUCTIONS				
	34	AXD1126	REMOTE CONTROL UNIT				
	35	ADH1004	FM ANTENNA				
	36	ATB1005	LOOP ANTENNA				
	37	AHA1015	STYROL PROTECTOR				
	38	AHD1771	PACKING CASE				
	39	PZN1001	BATTERY LID				
	40	CKDYF102Z50	CERAMIC CAPACITOR C3				
	41	AWZ2592	COMPLEX ASS'Y				
	42	AWZ2593	CONTROL ASS'Y				
	43		SP SWITCH ASS'Y				
	44		VR ASS'Y				
	45		TERMINAL SCREW				
	46		CHASSIS				
	47		REAR PANEL				
	48		HEAT SINK				
	49		BRACKET				
	50		NYLON BINDER				





3. SCHEMATIC DIAGRAM

A

B

C

D

2

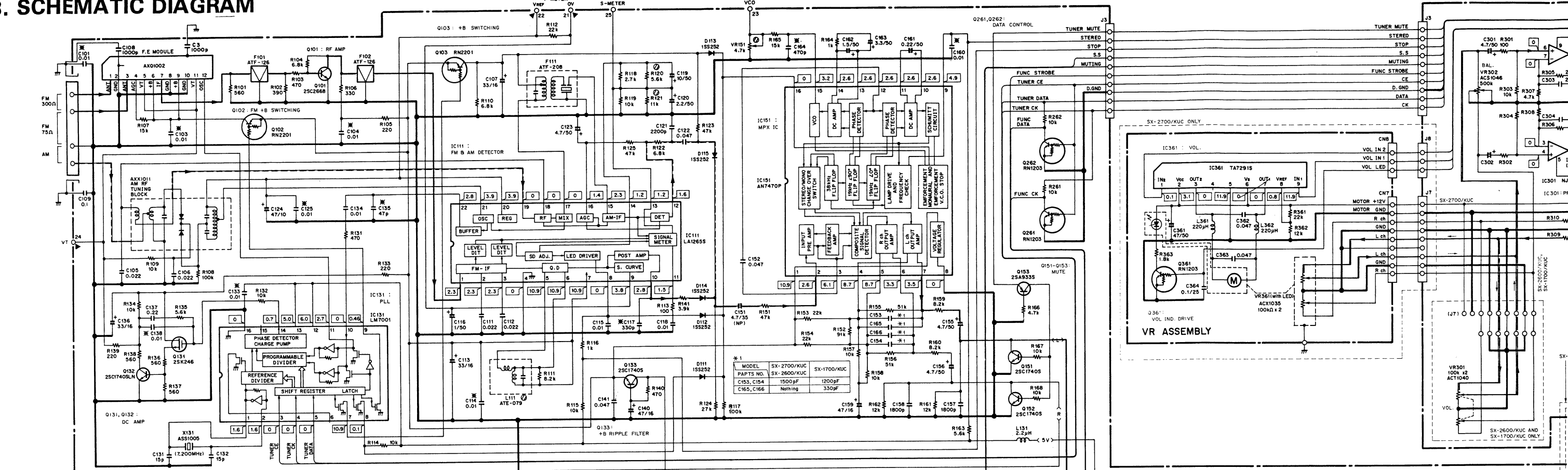
3

4

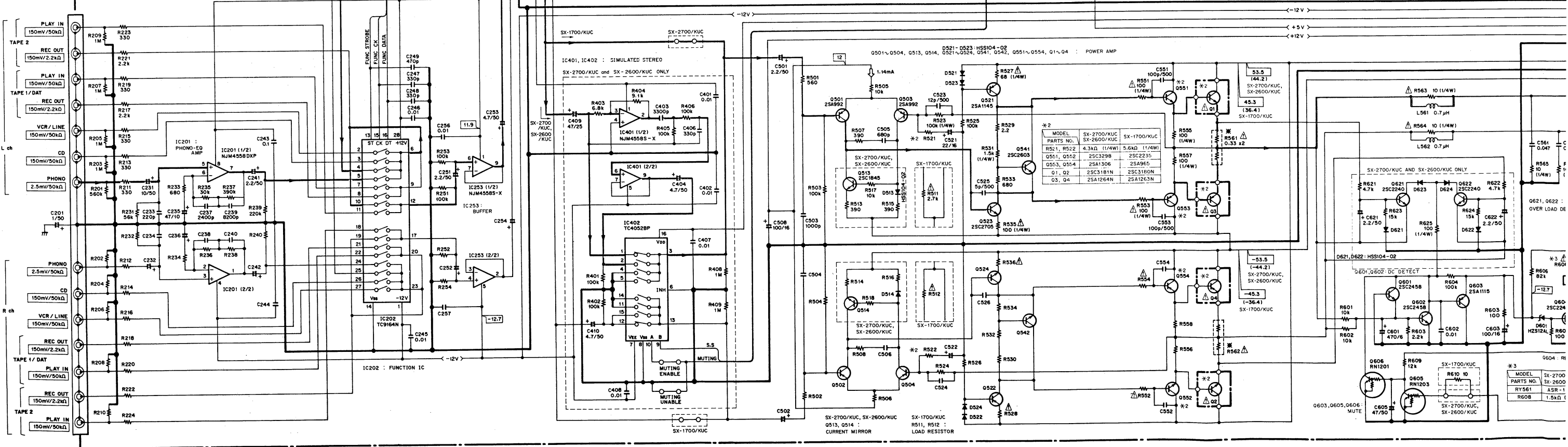
5

6

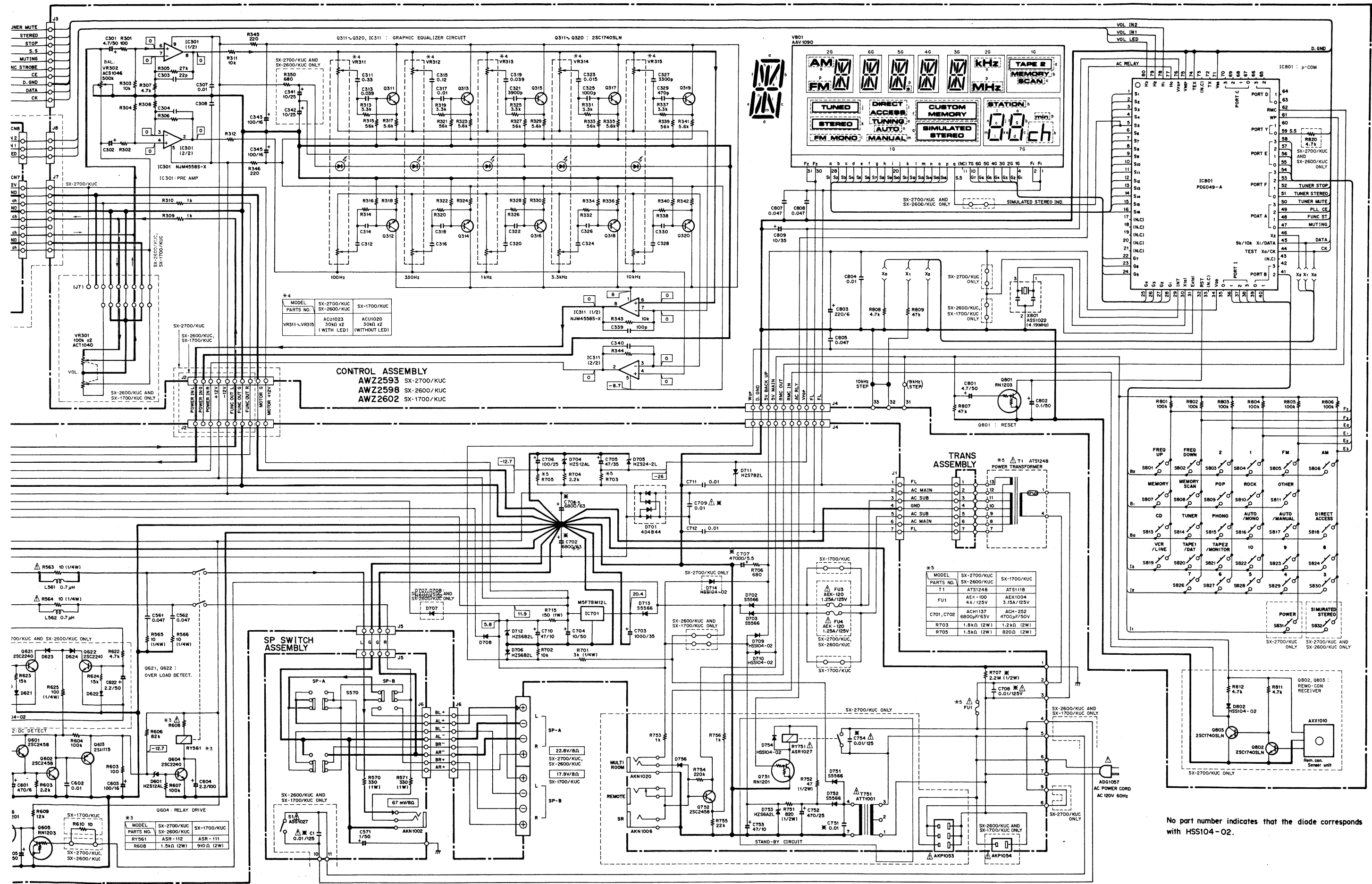
7



COMPLEX ASSEMBLY  
 AWZ2592 SX-2700/KUC  
 AWZ2597 SX-2600/KUC  
 AWZ2601 SX-1700/KUC



MODEL: SX-2700  
 PARTS NO.: SX-2600  
 RY561 ASR-1  
 R608 1.5k Ω



No part number indicates that the diode corresponds with HSS104-02.



1. RESISTORS

Indicated in  $\Omega$ , 1/4W, 1/8W,  $\pm 5\%$  tolerance unless otherwise noted k: k $\Omega$ , M: M $\Omega$ , (F):  $\pm 1\%$ , (G):  $\pm 2\%$ , (K):  $\pm 10\%$ , (M):  $\pm 20\%$  tolerance.

2. CAPACITORS

Indicated in capacity ( $\mu$ F)/voltage (V) unless otherwise noted P: PF.

A Indication without voltage is 50V except electrolytic capacitor.

3. VOLTAGE CURRENT

$\nabla$ : Signal voltage at (65W+65W 8 $\Omega$ ) output (1kHz).

$\square$ : DC voltage (V) at no input signal.

Value in ( ) is DC voltage at rated power.

$\leftarrow$  mA: DC current at no input signal.

4. OTHERS

$\rightarrow$ : Signal route

$\odot$ : Adjusting point

The  $\Delta$  mark found on some components parts indicates the importance of the safety factor of the parts.

Therefore, when replacing, be sure to use parts of identical designation. \* marked capacitors and resistors have parts numbers.

This is the basic schematic diagram, but the actual circuit may vary due to improvements in design.

5. SWITCHES

SX-2700

S801-S811, S813-S824,  
S826-S832: Tact switch  
S570: SPEAKER (SP A-SP B)

SX-2600

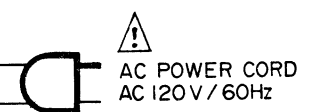
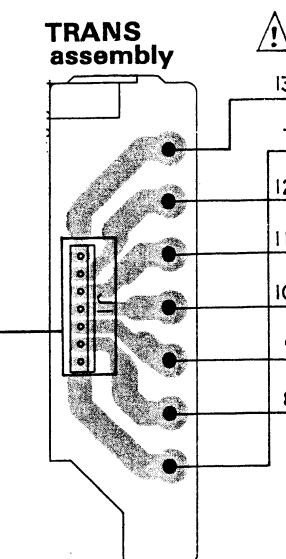
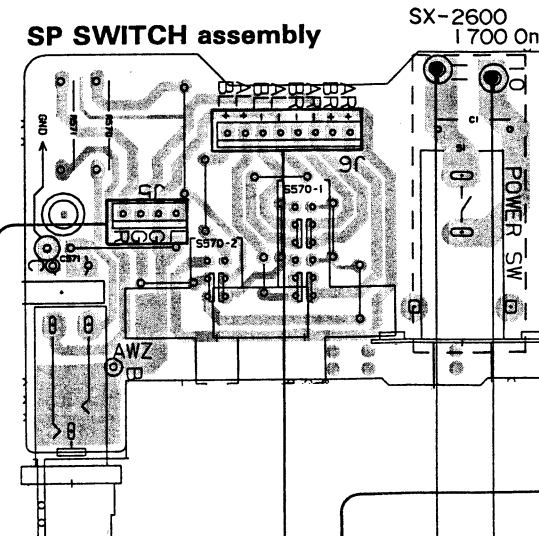
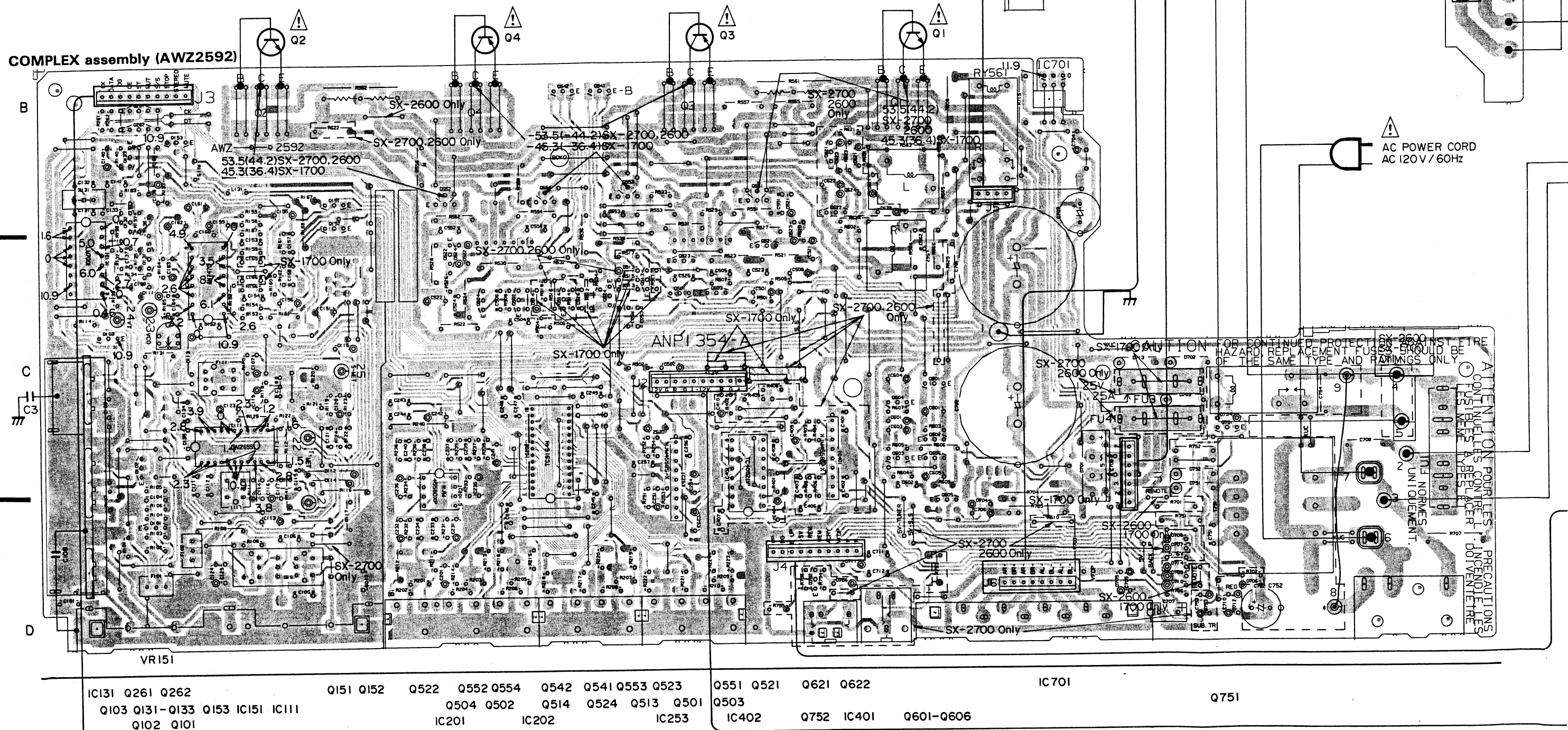
S801-S811, S813-S824,  
S826-S830, S832: Tact switch  
S570: SPEAKER (SP A-SP B)  
S1: POWER (ON-OFF)

SX-1700

S801-S811, S813-S824,  
S826-S830: Tact switch  
S570: SPEAKER (SP A-SP B)  
S1: POWER (ON-OFF)

The underline indicates the switch position.

### 4. P.C. BOARD CONNECTION DIAGRAM

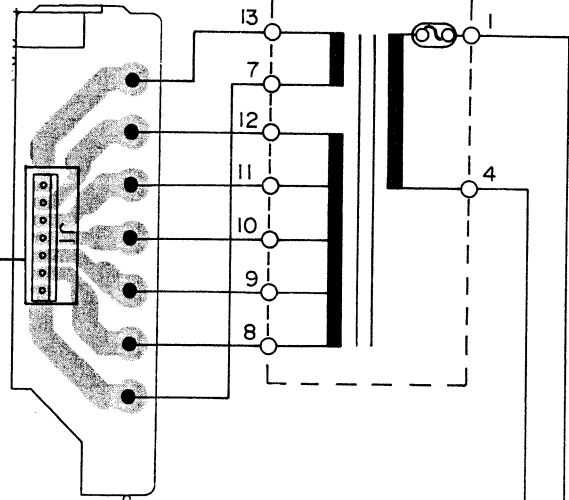


FOR CONTINUED PROTECTION OF THE USER, PLEASE READ THE PRECAUTIONS ON THE REVERSE SIDE OF THIS MANUAL. HAZARD REPLACEMENT FUSES SHOULD BE OF THE SAME TYPE AND RATINGS ONLY.

ATTENTION: POUR LES PRÉCAUTIONS, VOUS DEVRIEZ LIRE LE MANUEL D'UTILISATION À L'INVERSE DE CE MANUEL. HAZARD REPLACEMENT FUSES SHOULD BE OF THE SAME TYPE AND RATINGS ONLY.

TRANS assembly

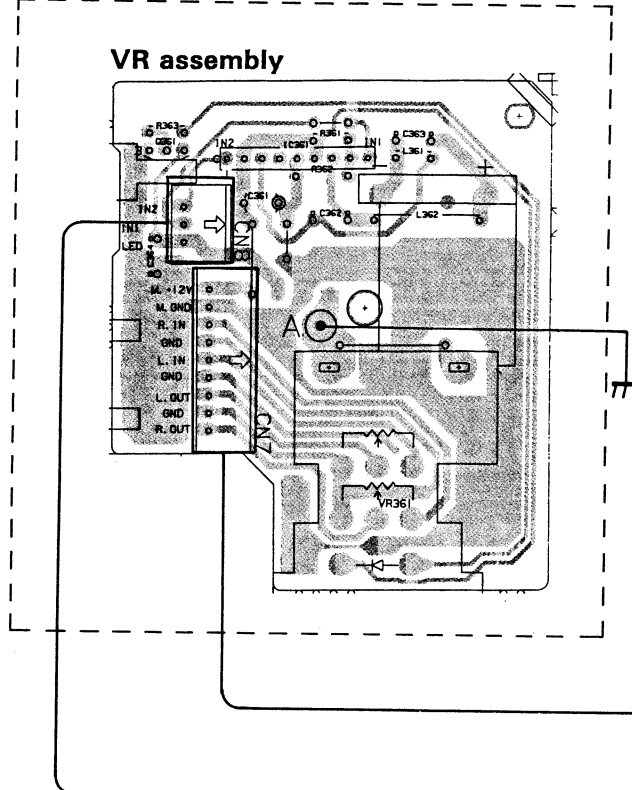
T1 POWER TRANSFORMER



AC POWER CORD  
AC 120V/60Hz

SX-2700 Only

VR assembly



NOTE

1. This P.C.B connection diagram is viewed from the parts mounted side.
2. The parts which have been mounted on the board can be replaced with those shown with the corresponding wiring symbols listed in the following Table.

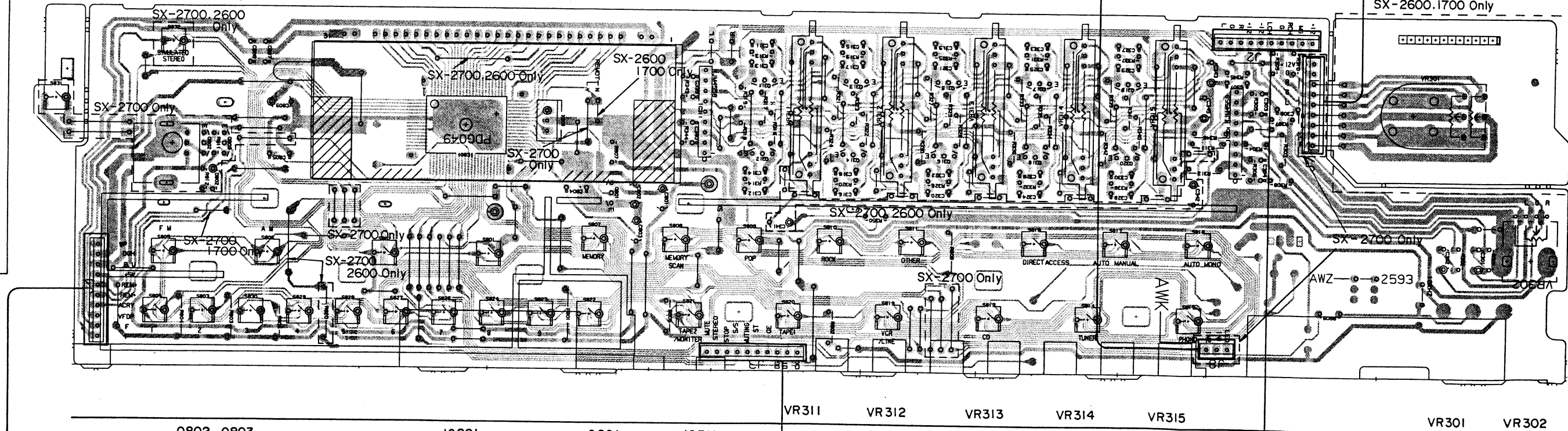
P.C.B. pattern diagram indication	Corresponding part symbol	Part Name
EO O O		Transistor
Q215 O O		Radiator type transistor
⊙-D203		Diode
○-R237		Resistor
⊙ C513		Capacitor (Polarity)
⊕ C518		Capacitor (Non-polarity)

Others

P.C.B. pattern diagram indication	Part Name
IC	IC
S	Switch
RY	Relay
L	Coil
F	Filter
VR	Variable resistor or Semi-fixed resistor

3. The capacitor terminal marked with ⊙ (double circles) shows negative terminal.
4. The diode terminal marked with ⊙ (double circles) shows cathode side.
5. The transistor terminal to which E is affixed shows the emitter.

CONTROL assembly (AWZ2593)



CAUTIONS  
FOR THE USER  
DO NOT TOUCH THE  
CONTROLS OR  
INTERNAL PARTS  
WHEN THE UNIT IS  
POWERED ON.  
REPLACE THE FUSES  
WITH THE SAME  
TYPE AND RATING.  
DO NOT REMOVE  
THE FUSES FROM  
THE UNIT.  
DO NOT REMOVE  
THE FUSES FROM  
THE UNIT.



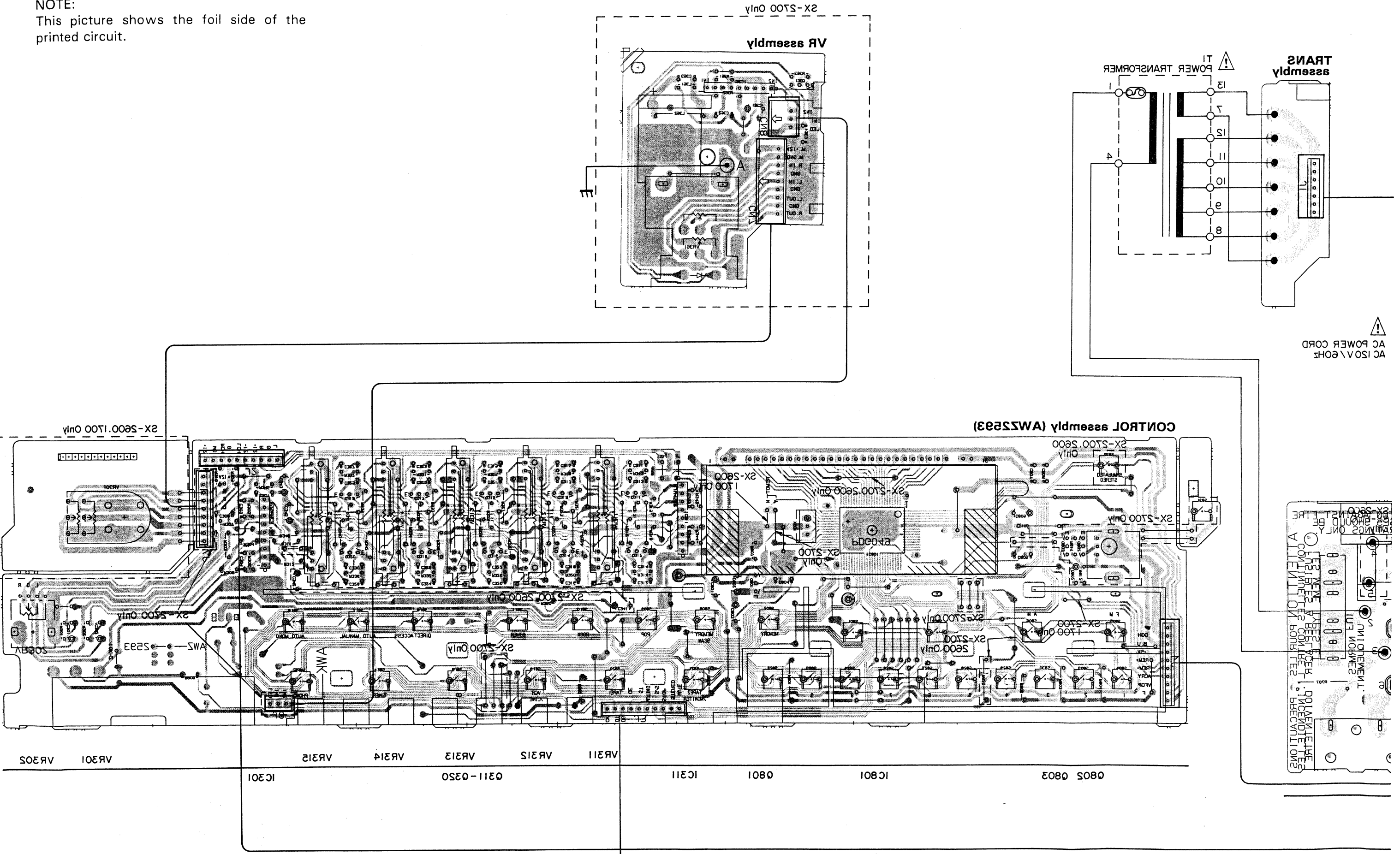
NOTE:  
This picture shows the foil side of the printed circuit.

A

B

C

D



AC POWER CORD  
AC 150V 60Hz

15

15

11

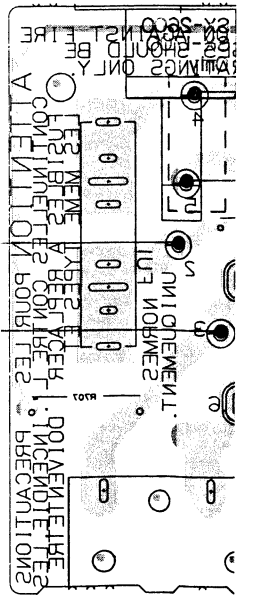
10

9

8

7

6



TRANS assembly

POWER TRANSFORMER

2X-5700 Only

VR assembly

CONTROL assembly (W25253)

2X-5800 100T Only

2X-5700 5800 Only

2X-5700 5800 Only

2X-5700 5800 Only

2X-5700 5800 Only

2X-5700 5800 Only

2X-5700 5800 Only

2X-5700 5800 Only

2X-5700 5800 Only

2X-5700 5800 Only

2X-5700 5800 Only

2X-5700 5800 Only

2X-5700 5800 Only

2X-5700 5800 Only

2X-5700 5800 Only

2X-5700 5800 Only

2X-5700 5800 Only

2X-5700 5800 Only

2X-5700 5800 Only

2X-5700 5800 Only

2X-5700 5800 Only

2X-5700 5800 Only

2X-5700 5800 Only

2X-5700 5800 Only

2X-5700 5800 Only

2X-5700 5800 Only

VR305

VR301

VR312

IC301

VR313

0311-0350

VR315

IC311

VR311

0801

VR314

IC801

VR313

0808

VR312

0809

VR311

0810

VR310

0811

VR309

0803

VR308

0805

VR307

0807

VR306

0806

VR305

0804

VR304

0802

0800

0801

0802

0803

0804

0805

0806

0807

0808

0809

0810

0811

0812

0813

0814

0815

0816

0817

0818

0819

0820

0821

0822

0823

0824

0825

0826

0827

0828

0829

0830

0831

0832

0833

0834

0835

0836

0837

0838

0839

0840

0841

0842

0843

0844

0845

0846

0847

0848

0849

0850

0851

0852

0853

0854

0855

0856

0857

0858

0859

0860

0861

0862

0863

0864

0865

0866

0867

0868

0869

0870

0871

0872

0873

0874

0875

0876

0877

0878

0879

0880

0881

0882

0883

0884

0885

0886

0887

0888

0889

0890

0891

0892

0893

0894

0895

0896

0897

0898

0899

0900

0901

0902

0903

0904

0905

0906

0907

0908

0909

0910

0911

0912

0913

0914

0915

0916

0917

0918

0919

0920

0921

0922

0923

0924

0925

0926

0927

0928

0929

0930

0931

0932



## 5. ELECTRICAL PARTS LIST

**NOTES:**

- Parts without part number cannot be supplied.
- Parts marked by "⊙" are not always kept in stock. Their delivery time may be longer than usual or they may be unavailable.
- The  $\Delta$  mark found on some component parts indicates the importance of the safety factor of the part. Therefore, when replacing, be sure to use parts of identical designation.
- When ordering resistors, first convert resistance values into code form as shown in the following examples.

Ex. 1 When there are 2 effective digits (any digit apart from 0), such as 560 ohm and 47k ohm (tolerance is shown by J = 5%, and K = 10%).

560 $\Omega$	$56 \times 10^1$	561.....	RD1/4PS	$\text{\textcircled{5}}$	$\text{\textcircled{6}}$	$\text{\textcircled{J}}$
47k $\Omega$	$47 \times 10^3$	473.....	RD1/4PS	$\text{\textcircled{4}}$	$\text{\textcircled{7}}$	$\text{\textcircled{J}}$
0.5 $\Omega$	0R5.....		RN2H	$\text{\textcircled{0}}$	$\text{\textcircled{R}}$	$\text{\textcircled{5}}$ K
1 $\Omega$	010.....		RS1P	$\text{\textcircled{0}}$	$\text{\textcircled{1}}$	$\text{\textcircled{0}}$ K

Ex. 2 When there are 3 effective digits (such as in high precision metal film resistors).

5.62k $\Omega$	$562 \times 10^1$	5621.....	RN1/4SR	$\text{\textcircled{5}}$	$\text{\textcircled{6}}$	$\text{\textcircled{2}}$	$\text{\textcircled{1}}$	$\text{\textcircled{F}}$
----------------	-------------------	-----------	---------	--------------------------	--------------------------	--------------------------	--------------------------	--------------------------

**Miscellaneous parts**

**P.C. BOARD ASSEMBLIES**

Mark	Symbol & Description	Part No.	Mark	Symbol & Description	Part No.
	COMPLEX assembly	AWZ2592		Q553,Q554	2SA1306
	CONTROL assembly	AWZ2593		Q153	2SA933S
	SP SWITCH assembly			Q501-Q504	2SA992
	VR assembly			Q133,Q151,Q152	2SC1740S
	TRANS assembly			Q132	2SC1740SLN

**OTHERS**

Mark	Symbol & Description	Part No.	Mark	Symbol & Description	Part No.
$\Delta$	Q1,Q2 Transistor	2SC3181N		Q513,Q514	2SC1845
$\Delta$	Q3,Q4 Transistor	2SA1264N		Q604,Q621,Q622	2SC2240
				Q601,Q602,Q752	2SC2458
				Q541,Q542	2SC2603
				Q101	2SC2668
$\Delta$	T1 Power transformer	ATS1248		Q523,Q524	2SC2705
$\Delta$	FU1 Fuse (4A/125V)	AEK-100		Q551,Q552	2SC3298
$\Delta$	FU3,FU4 Fuse (1.25A/125V)	AEK-120		Q131	2SK246
	C3 CERAMIC CAPACITOR	CKDYF102Z50		D513,D514,D521-D524, D621-D624,D707-D710, D714,D754,D756	HSS104-02
$\Delta$	AC power cord	ADG1057		D601,D704 Zener diode	HZS12AL
				D705 Zener diode	HZS24-2L

**COMPLEX assembly (AWZ2592)**

**SEMICONDUCTORS**

Mark	Symbol & Description	Part No.	Mark	Symbol & Description	Part No.
	IC151	AN7470P		D753 Zener diode	HZS6A2L
	IC111	LA1265S		D706,D712 Zener diode	HZS6B2L
	IC131	LM7001		D711 Zener diode	HZS7B2L
	IC701	M5F78M12L		D702,D703,D713,D751,D752	S5566
	IC201	NJM4558DXP		D111-D115	1SS252
				D701	4D4B44
	IC253,IC401	NJM4558S-X			
	IC402	TC4052BP			
	IC202	TC9164N			
	Q606,Q751	RN1201			
	Q261,Q262,Q605	RN1203			
	Q102,Q103	RN2201			
	Q603	2SA1115			
	Q521,Q522	2SA1145			

**RELAIIES**

Mark	Symbol & Description	Part No.
	RY561	ASR-112
	RY751	ASR1027

## COILS & TRANSFORMER

Mark	Symbol & Description	Part No.
	L111 FM detector coil	ATE-079
	F101,F102 FM ceramic filter	ATF-126
	F111 AM ceramic filter	ATF-208
	L561,L562 AF choking coil (0.7 $\mu$ H)	ATH1004
	L131 Axial inductor (2.2 $\mu$ H)	LAU2R2M
⚠	T751 Power transformer	ATT1011

Mark	Symbol & Description	Part No.
	C115,C118,C243-C246,C256, C257,C401,C402,C407,C408, C602,C711,C712,C134 C121	CKDYF103Z50
	C105,C106,C111,C112	CKDYF222Z50 CKDYF223Z50
	C122,C141,C152 C153,C154 C237,C238 C561,C562 C239,C240 C108	CKDYF473Z50 CQMA152J50 CQMA242J50 CQMA473K50 CQMA822K50 CKDYF102Z50

## CAPACITORS

Mark	Symbol & Description	Part No.
⚠	C164 (470pF)	ACE1039
	C708,C754 (0.01 $\mu$ F/125V)	ACG1003
	C709,C751 (0.01 $\mu$ F/150V)	ACG1005
	C135 (47pF)	ACG1016
	C117 (330pF)	ACG1018
	C101,C103,C104,C114,C125, C133,C138,C160 (0.01 $\mu$ F) C707 (47000 $\mu$ F/5.5V) C701,C702 (6800 $\mu$ F/DC63V) C525,C526	ACG1021
	C551-C554 C523,C524 C233,C234 C131,C132 C151	ACH1135 ACH1137 CCCSL050C500
	C161 C116,C201 C162 C119,C231,C232,C704 C508,C603	CCCSL101K500 CCCSL120K500 CCCSL221J50 CCDCH150J50 CEANP4R7M35
	C706 C703 C604 C120,C241,C242,C251,C252, C501,C502,C621,C622	CEASR22M50 CEAS010M50 CEAS1R5M50 CEAS100M50 CEAS101M16
	C521,C522 C163 C107,C113,C136 C123,C155,C156,C253,C254, C404,C410,C605	CEAS101M25 CEAS102M35 CEAS2R2M100 CEAS2R2M50
	C124,C235,C236,C710,C753 C140,C159 C409 C705 C752	CEAS220M16 CEAS3R3M50 CEAS330M16 CEAS4R7M50
	C601 C137 C247,C248 C249 C503,C504	CEAS470M10 CEAS470M16 CEAS470M25 CEAS470M35 CEAS471M25
	C157,C158 C406 C403 C505,C506 C109	CEAS471M6 CFTXA224J50 CKCYB331K50 CKCYB471K50 CKDYB102K50
		CKDYB182K50 CKDYB331K50 CKDYB332K50 CKDYB681K50 CKDYX104M25

## RESISTORS

Mark	Symbol & Description	Part No.
	VR151 (4.7k $\Omega$ )	ACP1024
⚠	R561,R562 (0.33,5W x 2)	ACN-139
	R707 (2.2M $\Omega$ ,1/2W)	ACN-209
⚠	R703-R705	RS2LMF□□□J
	R608	RS2LMF152J
⚠	R715	RS1LMF151J
⚠	R535,R536,R551-R554	RFA1/4PS101J
	R751,R752	RD1/2PM□□□J
⚠	R527,R528,R563,R564	RD1/4PMF□□□J
	R555-R558,R565,R566,R625	RD1/4PMF□□□J
	R521-R524,R531,R532,R701	RD1/4PM□□□J
	Other resistors	RD/18PM□□□J

## OTHERS

Mark	Symbol & Description	Part No.
	2 Positions F.E.module assembly	AXQ1002
	AM RF Tuning block	AXX1011
	Terminal 4P (ANTENNA)	AKA1009
	Terminal 4P (TAPE1/DAT,TAPE2)	AKB1101
	Terminal 6P (PHONO,CD,VCR/LINE)	AKB1121
	Terminal 8P (SPEAKER)	AKE-111
	Mini jack 2P (SR REMOTE)	AKN1006
⚠	Mini jack (MULTI ROOM REMOTE)	AKN1020
	AC Outlet 3P	AKP1053
	X131 Crystal resonator (7.200MHz)	ASS1005

## CONTROL assembly (AWZ2593)

### SEMICONDUCTORS

Mark	Symbol & Description	Part No.
	IC301,IC311	NJM4558S-X
	IC801	PDG049-A
	Q801	RN1203
	Q311-Q320,Q802,Q803	2SC1740SLN
	D802	HSS104-02



**SWITCHES**

Mark	Symbol & Description	Part No.
	S801 – S811, S813 – S824, S826 – S832 Tact switch	ASG1034

**CAPACITORS**

Mark	Symbol & Description	Part No.
	C339, C340 C303, C304 C343, C345 C301, C302 C802	CCCSL101J50 CCCSL220J50 CEAS101M16 CEAS470M50 CEJAOR1M50
	C341, C342 C809	CEJA100M25 CEJA100M35
	C803 C801	CEJA221M16 CEJA4R7M50
	C341, C342 C809 C803 C801	CEJA100M25 CEJA100M35 CEJA221M6 CEJA4R7M50
	C805, C807, C808 C317, C318 C323, C324 C327, C328 C321, C322 C313, C314, C319, C320	CKDYF473Z50 CQMA103K50 CQMA153J50 CQMA332K50 CQMA392K50 CQMA393K50

**RESISTORS**

Mark	Symbol & Description	Part No.
	VR302 (500k) VR311 – VR315 (30k × 2) Other resistors	ACS1046 ACU1023 RD1/8PM□□□J

**OTHERS**

Mark	Symbol & Description	Part No.
	X801 Ceramic resonator (4.19MHZ)	ASS1022
	V801 Fluorescent indicator tube Remote control sensor unit	AAV1090 AXX1010

**SP SWITCH assembly  
SWITCH**

Mark	Symbol & Description	Part No.
	S570 Push switch (SPEAKER)	SUJ5LXYS

**CAPACITOR**

Mark	Symbol & Description	Part No.
	C571	CEAS010M50

**RESISTORS**

Mark	Symbol & Description	Part No.
	R570, R571	RS1PMF331J

**OTHER**

Mark	Symbol & Description	Part No.
	Head phone jack	AKN1002

**VR assembly  
SEMICONDUCTORS**

Mark	Symbol & Description	Part No.
	IC361	TA7291S
	Q361	RN1203

**COILS**

Mark	Symbol & Description	Part No.
	L361, L362	LAU221K

**CAPACITORS**

Mark	Symbol & Description	Part No.
	C361 C362, C363 C364	CEAS470M50 CKDYF473Z50 CKDYX104M25

**RESISTORS**

Mark	Symbol & Description	Part No.
	VR361 Motor-variable resistor with LED (100k × 2) Other resistors	ACX1035 RD1/8PM□□□J

**OTHERS**

Mark	Symbol & Description	Part No.
	CN8 Jumper connector 3P CN7 Jumper connector 9P	KPC3 KPC9

**TRANS assembly**

No parts are supplied with the TRANS assembly.

## 6. ADJUSTMENTS

### TUNER SECTION

- Set the volume to "MIN".
- Set the FUNCTION to "TUNER".

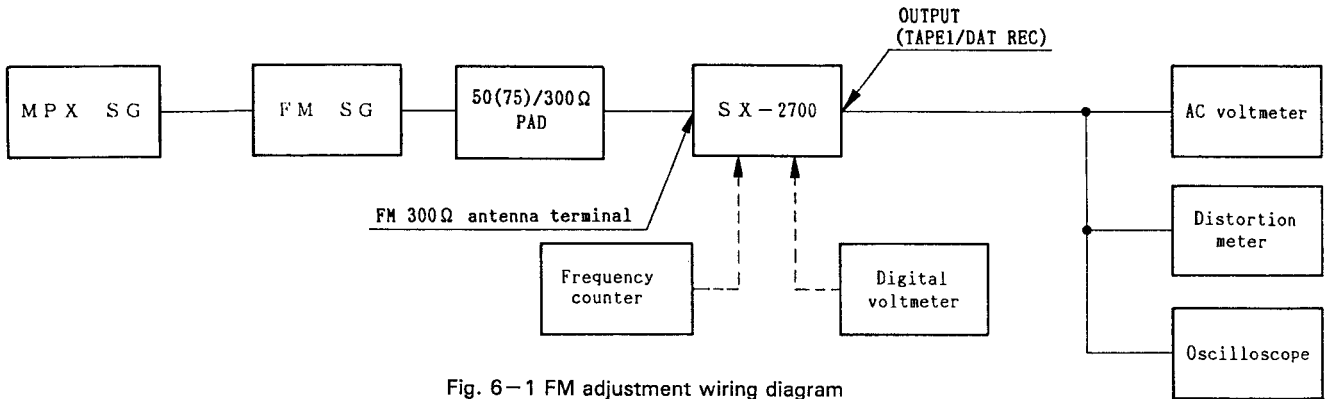


Fig. 6-1 FM adjustment wiring diagram

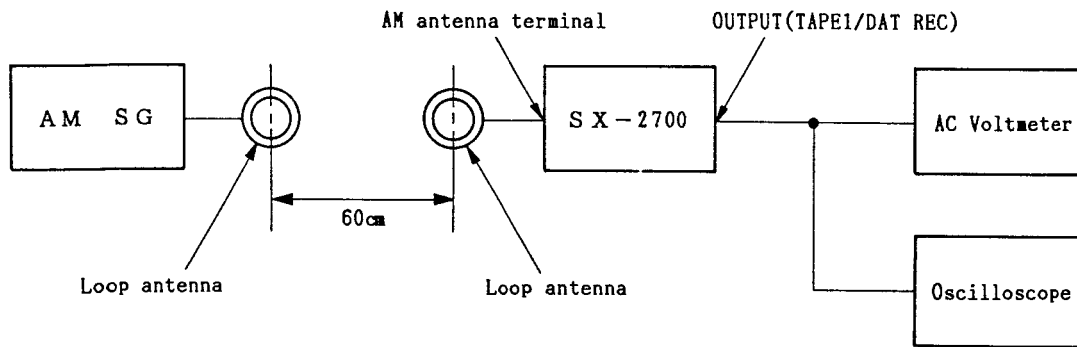


Fig. 6-2 AM adjustment wiring diagram

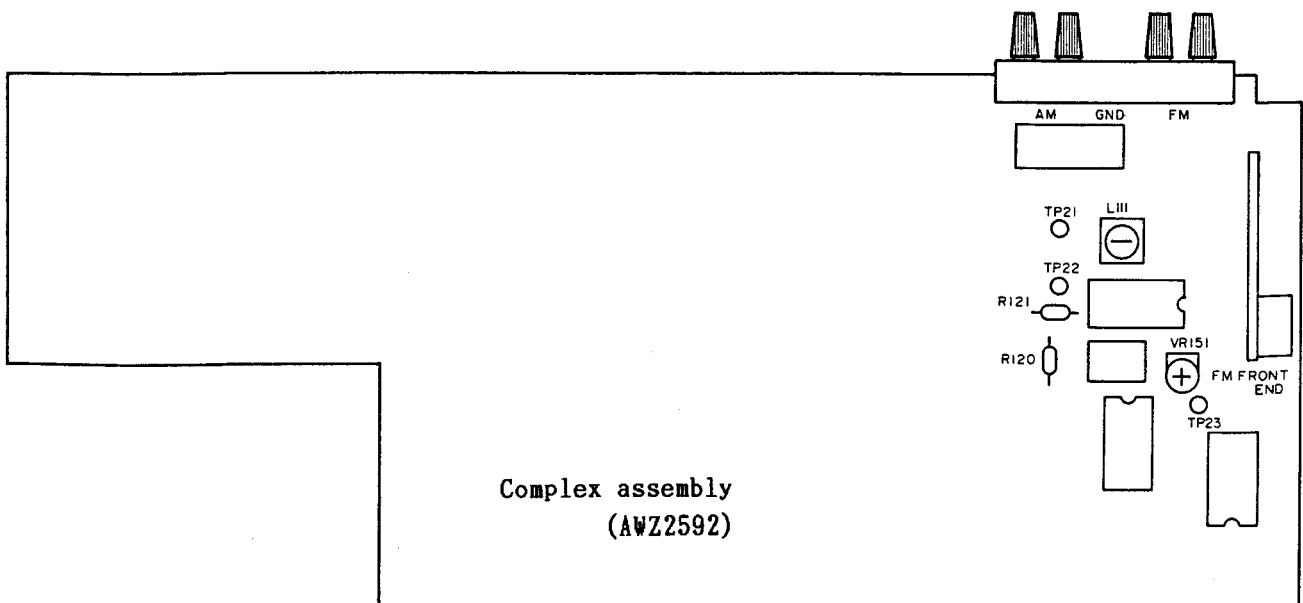


Fig. 6-3 Adjustment locations

**FM TUNER SECTION ADJUSTMENT**

- For connections and points to be adjusted, refer to Fig. 6-1 and 6-3.
- Set the BAND selector to "FM".
- Perform VCO adjustment after turning the power ON, two minutes or more.

*Note: Stereo modulation: Main 1kHz L+R±68.25Hz dev.  
Pilot 19kHz ±6.75kHz dev.*

Step No.	Adjustment Title	FM SG (1kHz ±75kHz dev.)		SX-2700 Reception Frequency Display	Adjustment	
		Frequency (MHz)	Level (dBμV)		Adjustment Location	Specifications
1	Detector coil T-meter adjustment (MONO)	98.0	60	98.0MHz	L111	Adjust so that the DC voltage between TP21 and TP22 is 0 ±50mv.
2	Checking front end sensitivity (MONO)	98.0	—	98.0MHz	—	Check that the practical sensitivity is 10 dBμV or less.
3	VCO adjustment (MONO)	98.0 (No modulation)	60	98.0MHz	VR151	Adjust so that the frequency between TP23 and GND is 76 ±0.5kHz.
4	Checking stereo distortion (STEREO)	98.0	60	98.0MHz	—	Check that the stereo distortion is 1.5% or less.
		Stereo modulation (Note)				
5	Checking separation (STEREO)	98.0	60	98.0MHz	—	Check that the separation is 25 dB or more (at 1kHz).
6	Check lighting level of TUNED and STEREO IND. (STEREO)	98.0	—	98.0MHz	R121 *1	FOR TUNED IND. 24 dBμV ±15 dB. FOR STEREO IND. ±3 dB of TUNED IND. lighting level.

\*1. Remove the R121 (11kΩ) from the complex assembly if the Tuning indicator fails of light up.

**AM TUNER SECTION ADJUSTMENT**

- For connections and points to be adjusted, refer to Fig. 6-2 and 6-3.
- Set the BAND selector to "AM"

Step No.	Adjustment Title	AM SG		SX-2700 Reception Frequency Display	Adjustment	
		Frequency	Level		Adjustment Location	Specifications
1	Checking front end sensitivity	1000kHz (Modulation ON)	—	1000kHz	—	Check that the practical sensitivity is 75 dBμV/m or less.
2	Check lighting level of TUNED IND.	1000kHz	—	1000kHz	R120 *2	65dBμV/m or less

\*2. Remove the R120 (5.6kΩ) from the complex assembly if the Tuning indicator fails of light up.

## 6. RÉGLAGE

### SECTION TUNER

- Régler le volume sur "MIN".
- Régler le sélecteur de fonction sur "TUNER".

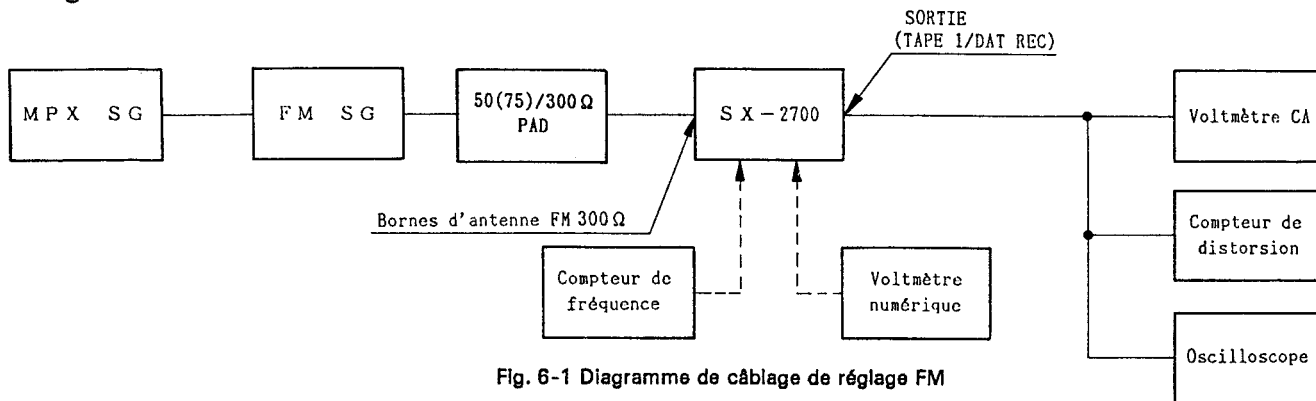


Fig. 6-1 Diagramme de câblage de réglage FM

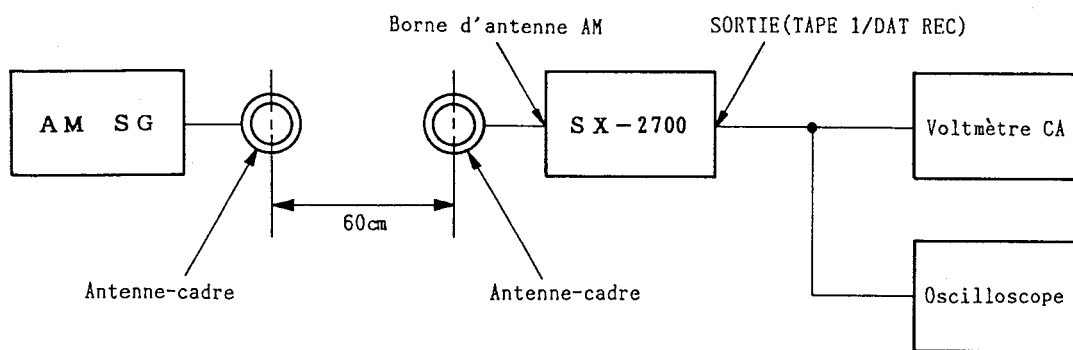


Fig. 6-2 Diagramma de câblage de réglage AM

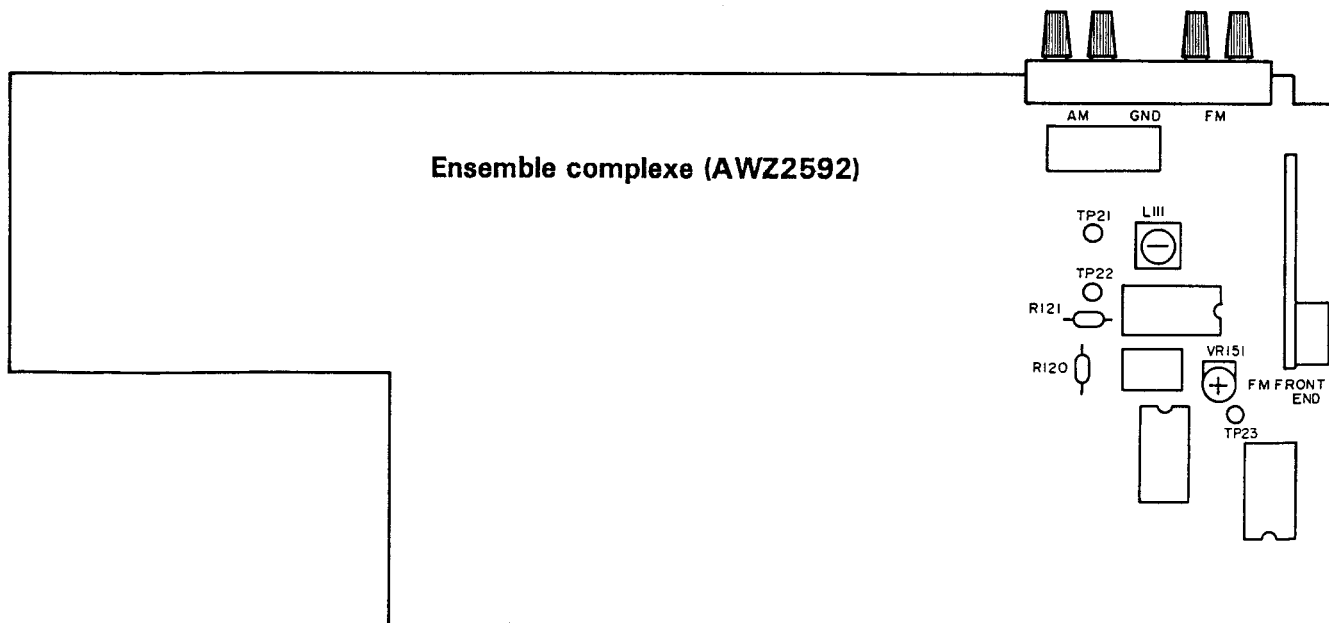


Fig. 6-3 Emplacements de réglage



### RÉGLAGE DE SECTION TUNER FM

- Se reporter aux figures 6-1 et 6-3 pour les connexions et points à régler.
- Placer le sélecteur de BANDE sur "FM".
- Effectuer le réglage d'oscillateur commandé par variation de tension (VCO) deux minutes ou plus après la mise sous tension (ON).

*Note: Modulation stéréo: Principal 1 kHz G+D ± 68,25 Hz d'écart  
Pilote 19 kHz ± 6,75 kHz d'écart*

Étape N°	Désignation de réglage	FM SG (1 kHz ± 75 kHz d'écart)		SX-2700 Affichage de fréquence de réception	Réglage	
		Fréquence (MHz)	Niveau (dBμ)		Emplacement de réglage	Spécifications
1	Réglage de compteur T de bobine de détecteur (MONO)	98,0	60	98,0 MHz	L111	Régler pour que la tension CC entre TP21 et TP22 soit de 0 ± 50 mV.
2	Contrôle de sensibilité d'extrémité avant (MONO)	98,0	—	98,0 MHz	—	Vérifier que la sensibilité pratique est de 10 dBμV ou moins.
3	Réglage VCO (MONO)	98,0 (Sans modulation)	60	98,0 MHz	VR151	Régler pour que la fréquence entre TP23 et la terre soit de 76 ± 0,5 kHz.
4	Contrôle de distorsion stéréo (STEREO)	98,0	60	98,0 MHz	—	Vérifier que la distorsion stéréo est 1,5 % ou moins.
		Modulation stéréo (Note)				
5	Contrôle de séparation (STEREO)	98,0	60	98,0 MHz	—	Vérifier que la séparation est 25 dB ou plus (à 1 kHz).
6	Contrôler l'intensité d'éclairage du témoin d'ACCORD et de STEREO (STEREO)	98,0	—	98,0 MHz	R121 *1	Pour témoin d'ACCORD 24 dBV ± 15 dB Pour témoin STEREO ± 3 dB de l'intensité d'éclairage du témoin d'ACCORD.

\* 1. Déposer le R121 (11 kΩ) de l'ensemble complexe si le témoin d'accord manque de s'allumer.

### REGLAGE DE SECTION TUNER AM

- Se reporter aux figures 6-2 et 6-3 pour les connexions et points à régler.
- Placer le sélecteur de BANDE sur "AM".

Étape N°	Désignation de réglage	AM SG		SX-2700 Affichage de fréquence de réception	Réglage	
		Fréquence	Niveau		Emplacement de réglage	Spécifications
1	Contrôle de sensibilité d'extrémité avant	1000 kHz (Modulation activée)	—	1000 kHz	—	Vérifier que la sensibilité pratique est 75 dB ou moins.
2	Contrôler l'intensité d'éclairage du témoin d'ACCORD	1000 kHz	—	1000 kHz	R120 *2	65 dBμV/m ou moins

\* 2. Déposer le R120 (5,6 kΩ) de l'ensemble complexe si le témoin d'accord manque de s'allumer

## 6. AJUSTE

### SECCIÓN DEL SINTONIZADOR

- Ajuste el volumen a la posición "MIN".
- Ajuste la función (FUNCTION) a la posición "TUNER".

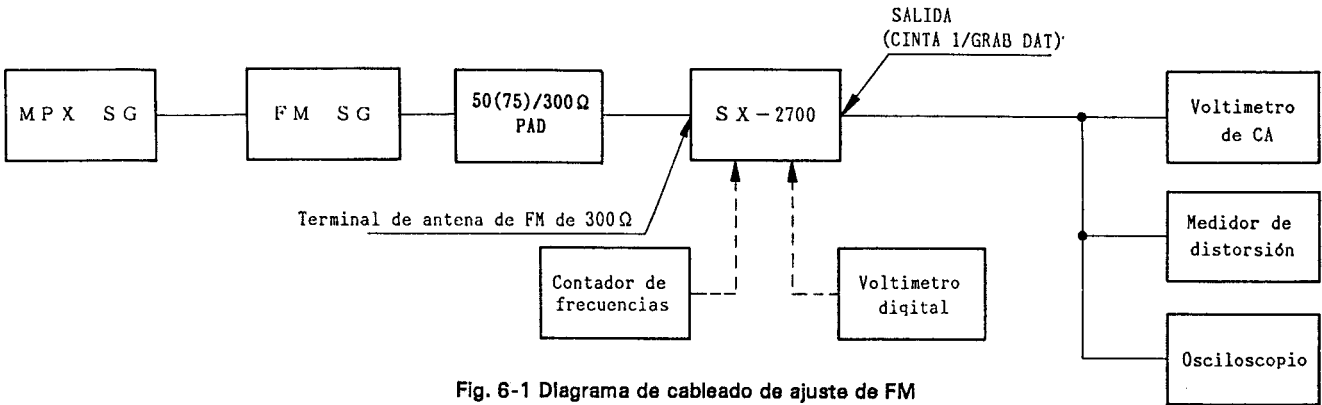


Fig. 6-1 Diagrama de cableado de ajuste de FM

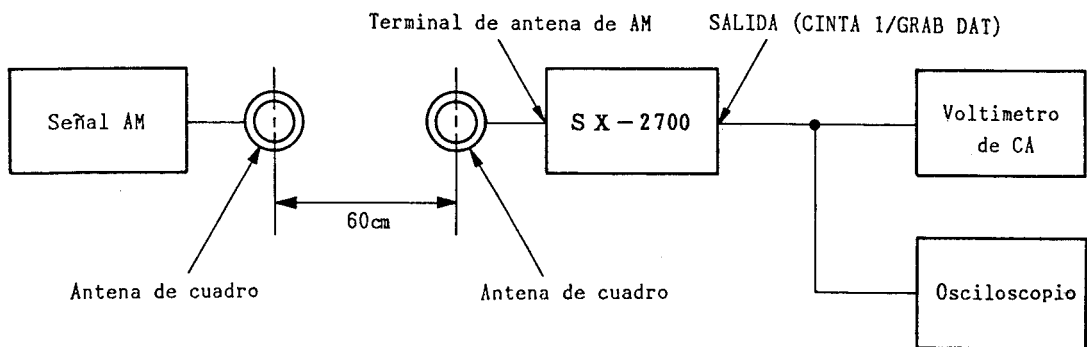


Fig. 6-2 Diagrama de cableado de ajuste de AM

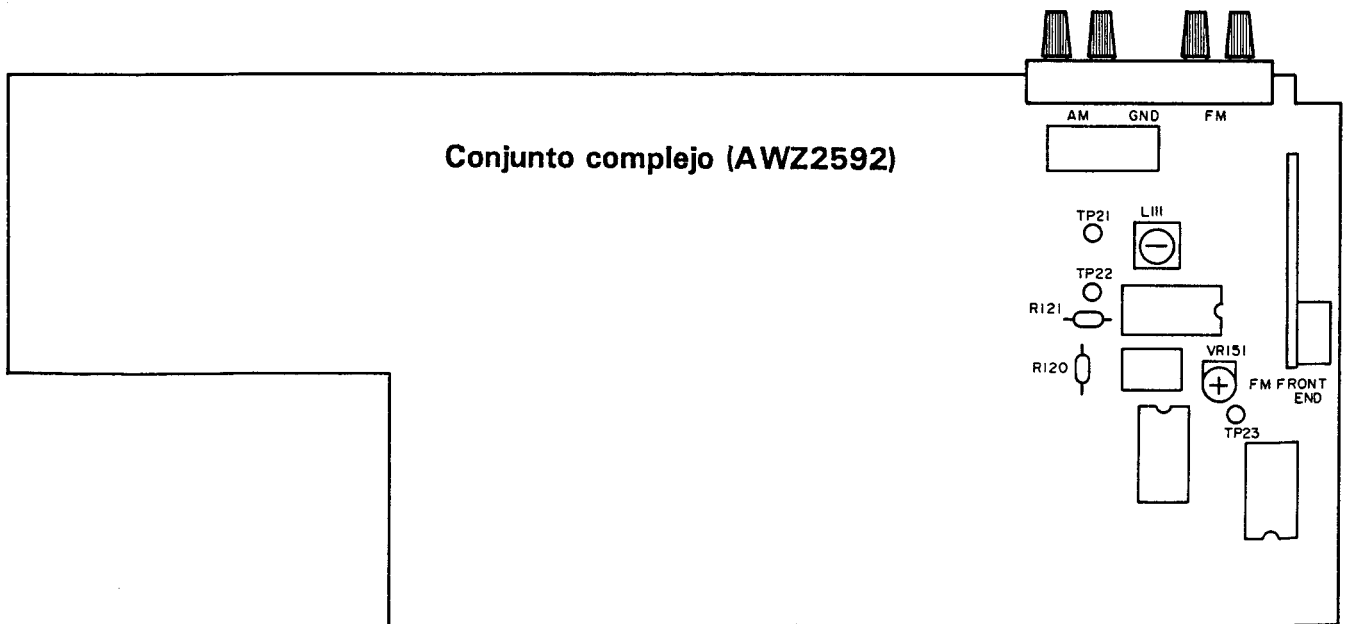


Fig. 6-3 Puntos de ajustes

**AJUSTE DE LA SECCIÓN DEL SINTONIZADOR DE FM**

- Para las conexiones y puntos a ser ajustados, refiérase a las figuras 6-1 y 6-3.
- Ajuste el selector BAND a "FM".
- Realice el ajuste VCO luego de los dos minutos o más de haber encendido la unidad.

*Nota: Modulación estereofónica: Principal 1 kHz I+D ± 68,25 Hz de desviación.  
Señal piloto 19 kHz ± 6,75 kHz de desviación.*

Paso	Título de ajuste	Señal de FM (1 kHz ± 76 kHz de desviación)		Presentación de frecuencia de recepción del SX-2700	Ajuste	
		Frecuencia (MHz)	Nivel (dBμ)		Punto de ajuste	Especificaciones
1	Ajuste del medidor T de la bobina de detección (MONOFÓNICO)	98,0	60	98,0 MHz	L111	Ajuste de modo que el voltaje de CC entre los terminales TP21 y TP22 sea 0 ± 50 mV.
2	Comprobación de sensibilidad de sección de sintonía (MONOFÓNICO)	98,0	—	98,0 MHz	—	Compruebe que la sensibilidad real sea de 10 dBμV o menos.
3	Ajuste de VCO (MONOFÓNICO)	98,0 (Sin modulación)	60	98,0 MHz	VR151	Ajuste de modo que la frecuencia entre el terminal TP23 y masa (GND) sea 76 ± 0,5 kHz.
4	Comprobación de distorsión estereofónica (ESTÉREO)	98,0	60	98,0 MHz	—	Compruebe que la distorsión estereofónica sea de 1,5 % o menos.
		Modulación estereofónica (Nota)				
5	Comprobación de separación (ESTÉREO)	98,0	60	98,0 MHz	—	Compruebe que la separación sea de 25 dB o más (en 1 kHz).
6	Compruebe el nivel de iluminación de TUNED y STEREO IND. (ESTÉREO)	98,0	—	98,0 MHz	R121 *1	Para TUNED IND. 24 dBμV ± 15 dB Para STEREO IND. ± 3 dB del nivel de iluminación de TUNED IND.

\* 1. Si el indicador de sintonía no se enciende desconecte la resistencia R121 (11 kΩ) del conjunto complejo.

**AJUSTE DE LA SECCIÓN DEL SINTONIZADOR DE AM**

- Para las conexiones y puntos a ser ajustados, refiérase a las figuras 6-2 y 6-3.
- Ajuste el selector BAND a la posición "AM"

Paso	Título de ajuste	Señal de AM		Presentación de frecuencia de recepción del SX-2700	Ajuste	
		Frecuencia	Modulación		Punto de ajuste	Especificaciones
1	Comprobación de sensibilidad de sección de sintonía	1000 kHz (Modulación ON)	—	1000 kHz	—	Compruebe que la sensibilidad real sea de 75 dBμB/m o menos.
2	Compruebe el nivel de iluminación de TUNED IND.	1000 kHz	—	1000 kHz	R120 *2	65 dBμV/m o menos.

\* 2. Si el indicador de sintonía no se enciende desconecte la resistencia R120 (5,6 kΩ) del conjunto complejo.

## 7. FOR SX-2600/KUC AND SX-1700/KUC TYPES

### CONTRAST OF MISCELLANEOUS PARTS

**NOTES:**

- Parts without part number cannot be supplied.
- The  $\triangle$  mark found on some component parts indicates the importance of the safety factor of the part. Therefore, when replacing, be sure to use parts of identical designation.
- Parts marked by "●" are not always kept in stock. Their delivery time may be longer than usual or they may be unavailable.

The SX-2600/KUC and SX-1700/KUC types are the same as the SX-2700/KUC type with the exception of the following sections.

Mark	Symbol & Description	Part No.			Remarks
		SX-2700 /KUC type	SX-2600 /KUC type	SX-1700 /KUC type	
	COMPLEX assembly	AWZ2592	AWZ2597	AWZ2601	
	CONTROL assembly	AWZ2593	AWZ2598	AWZ2602	
	SP SWITCH assembly	Non supply	Non supply	Non supply	
	VR assembly	Non supply	.....	.....	
$\triangle$	Q1,Q2 Transistor	2SC3181N	2SC3181N	2SC3180N	
$\triangle$	Q3,Q4 Transistor	2SA1264N	2SA1264N	2SA1263N	
$\triangle$	T1 Power transformer	ATS1248	ATS1248	ATS1118	
$\triangle$	FU1 Fuse (4A/125V)	AEK-100	AEK-100	.....	
$\triangle$	FU1 Fuse (3.15A/125V)	.....	.....	AEK1004	
$\triangle$	FU3,FU4 Fuse (1.25A/125V)	AEK-120	AEK-120	.....	
	Master VOL assembly	AAB1119	.....	.....	
	Master VOL knob	.....	AAB1134	AAB1134	
	S.S.push knob	AAD1660	AAD1660	.....	
	Acrylic panel	AAK1903	AAK1902	AAK1901	
	Front panel	AMB1564	AMB1563	AMB1562	
	Packing case	AHD1771	AHD1772	AHD1770	
	Operating Instructions (English)	ARB1213	ARB1214	ARB1214	
	Remote control unit	AXD1126	.....	.....	
	Battery cover	PZN1001	.....	.....	
	Volume nut (M7)	.....	ABN-094	ABN-094	



**COMPLEX assembly (AWZ2597 and AWZ2601)**

The COMPLEX assembly (AWZ2597 and AWZ2601) is the same as the COMPLEX assembly (AWZ2592) with the exception of the following sections.

Mark	Symbol & Description	Part No.			Remarks
		AWZ2592	AWZ2597	AWZ2601	
	IC401	NJM4558S-X	NJM4558S-X	.....	
	IC402	TC4052BP	TC4052BP	.....	
	Q513,Q514	2SC1845	2SC1845	.....	
	Q551,Q552	2SC3298	2SC3298	2SC2235	
	Q553,Q554	2SA1306	2SA1306	2SA965	
	Q621,Q622	2SC2240	2SC2240	.....	
	Q751	RN1201	.....	.....	
	Q752	2SC2458	.....	.....	
	D513,D514,D621-D624,D707	HSS104-02	HSS104-02	.....	
	D714,D754,D756	HSS104-02	.....	.....	
	D751,D752	S5566	.....	.....	
	D753	HZS6A2L	.....	.....	
	RY561	ASR-112	ASR-112	ASR-111	
	RY751	ASR1027	.....	.....	
⚠	T751 Power transformer	ATT1011	.....	.....	
	C153,C154	CQMA152J50	CQMA152J50	CQMA122J50	
	C165,C166	.....	.....	CKCYB331K50	
	C401,C402,C407,C408	CKDYF103Z50	CKDYF103Z50	.....	
	C403	CKDYB332K50	CKDYB332K50	.....	
	C404,C410	CEAS4R7M50	CEAS4R7M50	.....	
	C406	CKDYB331K50	CKDYB331K50	.....	
	C409	CEAS470M25	CEAS470M25	.....	
	C621,C622	CEAS2R2M50	CEAS2R2M50	.....	
	C701,C702 (6800μF/DC63V)	ACH1137	ACH1137	.....	
	C701,C702 (4700μF/DC50V)	.....	.....	ACH-252	
	C751 (0.01μF/150V)	ACG1005	.....	.....	
	C752	CEAS471M25	.....	.....	
	C753	CEAS470M10	.....	.....	
⚠	C754 (0.01μF/125V)	ACG1003	.....	.....	
	R401,R402,R405,R406	RD1/8PM104J	RD1/8PM104J	.....	
	R403	RD1/8PM682J	RD1/8PM682J	.....	
	R404	RD1/8PM912J	RD1/8PM912J	.....	
	R408,R409	RD1/8PM105J	RD1/8PM105J	.....	
⚠	R511,R512	.....	.....	RD1/8PM272J	
	R513-R516	RD1/8PM391J	RD1/8PM391J	.....	
	R517,R518	RD1/8PM103J	RD1/8PM103J	.....	
	R521,R522	RD1/4PM432J	RD1/4PM432J	RD1/4PM562J	
⚠	R608	RS2LMF152J	RS2LMF152J	RS2LMF911J	
	R610	.....	.....	RD1/4PMF100J	

⚠ ⚠	R621,R622	RD1/8PM472J	RD1/8PM472J	.....	
	R623,R624	RD1/8PM153J	RD1/8PM153J	.....	
	R625	RD1/4PMF101J	RD1/4PMF101J	.....	
	R703	RS2LMF182J	RS2LMF182J	RS2LMF122 J	
	R705	RS2LMF152J	RS2LMF152J	RS2LMF821J	
	R751	RD1/2PM821J	.....	.....	
	R752	RD1/2PM470J	.....	.....	
	R753,R756	RD1/8PM102J	.....	.....	
	R754	RD1/8PM224J	.....	.....	
	R755	RD1/8PM223J	.....	.....	
	Mini jack 2P (SR REMOTE)	AKN1006	.....	.....	
	Mini jack (MULTI ROOM REMOTE)	AKN1020	.....	.....	
	AC outlet 3P	AKP1053	.....	.....	
	AC outlet 1P	.....	AKP1054	AKP1054	

**CONTROL assembly (AWZ2598 and AWZ2602)**

The CONTROL assembly (AWZ2598 and AWZ2602) is the same as the CONTROL assembly (AWZ2593) with the exception of the following sections

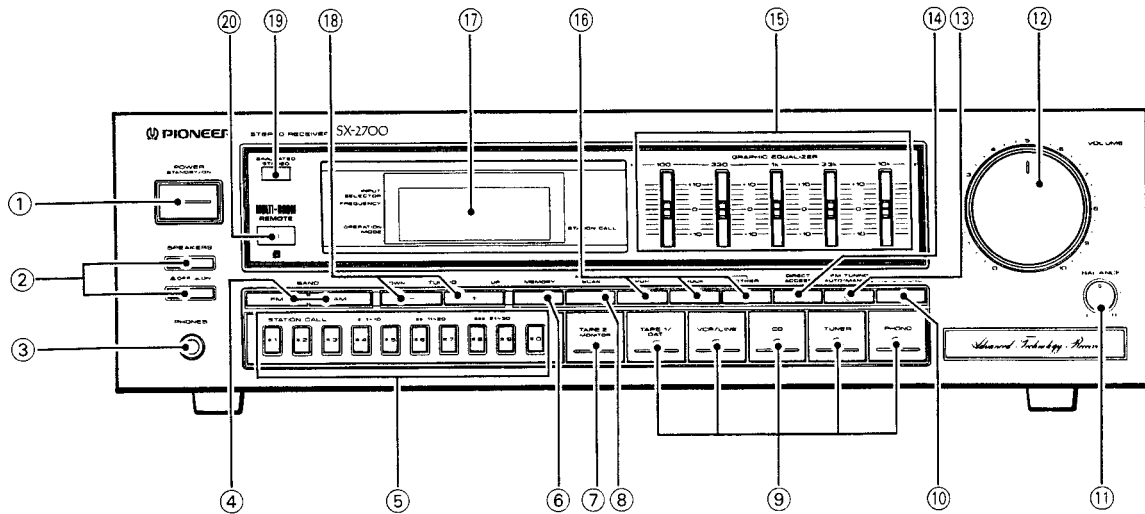
Mark	Symbol & Description	Part No.			Remarks
		AWZ2593	AWZ2598	AWZ2602	
	Q802,Q803	2SC1740SLN	.....	.....	
	D802	HSS104-02	.....	.....	
	S831 Power switch	ASG1034	.....	.....	
	S832 (SIMULATED STEREO)	ASG1034	ASG1034	.....	
	C341,C342	CEJA100M25	CEJA100M25	.....	
	R350	RD1/8PM681J	RD1/8PM681J	.....	
	R811,R812	RD1/8PM472J	.....	.....	
	R820	RD1/8PM472J	RD1/8PM472J	.....	
	VR301 (100k x 2)	.....	ACT1040	ACT1040	
	VR311 - VR315 (30k x 2)	ACU1023	ACU1023	ACU1020	
	Remote control sensor unit	AXX1010	.....	.....	

**SP SWITCH assembly (SX-2600/KUC and SX-1700/KUC types)**

SP SWITCH assembly (SX-2600/KUC and SX-1700/KUC types) is the same as the SP SWITCH assembly (SX-2700/KUC type) with the exception of the following sections.

Mark	Symbol & Description	Part No.			Remarks
		SX-2700 /KUC type	SX-2600 /KUC type	SX-1700 /KUC type	
⚠	S1 Power switch	.....	ASG1027	ASG1027	
⚠	C1 (0.01μF/125V)	.....	ACG1003	ACG1003	

## 8. PANEL FACILITIES



### ① POWER (STANDBY/ON) switch

- The accessory remote control unit can also be used to operate STANDBY/ON and SLEEP function of this switch.
- The POWER switch selects the transformer secondary even in STANDBY position. The unit circuitry will work as long as the power cord is connected to a wall socket.
- When not using the unit for a long period, disconnected the power cord.

**NOTE:**

*When the power is initially turned ON, muting will be applied to prevent sound from being output for about 5 seconds.*

### ② SPEAKERS switches ( OFF, ON)

- These are used to select the speaker through which you wish to listen.
- A:** When the speakers connected to A terminals are in use.
  - B:** When the speakers connected to B terminals are in use.
  - Turn both A and B speakers to OFF position when only the HEADPHONES are in use.

**NOTE:**

*No sound will be heard through the speakers when both A and B switches are depressed if only one set of speakers has been connected to either A or B SPEAKERS terminals.*

### ③ PHONES jack

Connect the plug on your headphones to this jack. To listen to a program through the headphones, set both SPEAKERS A and B switches to the OFF position.

### ④ BAND Selector switches

These switches are used to select either AM or FM reception.

**AM:** Push this switch for AM reception.

**FM:** Push this switch for FM reception.

### ⑤ STATION CALL switches

These switches are used to preset and recall desired broadcasting stations.

### ⑥ MEMORY switch

When the unit is in the frequency display mode, pressing this switch will result in the memorization of the current broadcast band, reception frequency, and FM AUTO/MONO mode.

This switch is also used to input custom memory names.

### ⑦ TAPE 2 MONITOR switch

Press when listening to tape playback with the cassette deck 2.

### ⑧ SCAN switch

This switch is used for both station memory scan and custom memory scan.

### ⑨ Function switches

Use to select playback source.

- [TAPE 1 /DAT]** — Press when listening to tape playback with the cassette deck 1 or digital audio tape deck.
- [VCR/LINE]** — Press when listening to programs from a component connected to the VCR/LINE terminals.
- [CD]** — Press when listening to compact disc playback with a CD player.
- [TUNER]** — Press when listening to AM or FM broadcasts with a tuner.
- [PHONO]** — Press when listening to record playback on a turntable.

### ⑩ FM MODE AUTO/MONO selector switch

Use to select the auto stereo mode or monaural mode when listening to FM broadcasts. The monaural mode has been selected when the FM MONO indicator is lighted.

**Auto stereo mode:**

Normally leave in this mode for reception. When a stereo FM broadcast is received, it will be automatically reproduced in stereo sound.

**Monaural mode:**

When receiving distant stations or stations with weak broadcast signals, the input signal may be weak, thus resulting in increased noise during FM stereo broadcasts. In this event, setting the receiver to the monaural mode will reduce the noise. In this case, however, FM stereo broadcasts will be reproduced in monaural sound.

**NOTE:**

*This switch has no effect on reception of AM broadcasts.*

### ⑪ BALANCE control

Should normally be left in the center position. Adjust balance if the sound is louder from one of the speakers. If the right side is louder, turn toward the L position and if the left side is louder, turn toward the R position.

### ⑫ VOLUME control

Use to adjust volume level.

**13 FM TUNING AUTO/MANUAL switch**

Works during FM reception.  
Use this switch to select either the AUTO mode or the MANUAL mode.  
When the "AUTO" indicator is lit, the receiver is in the AUTO mode.

**14 DIRECT ACCESS tuning switch**

When this switch is pressed, the STATION CALL switches function as ten-key number switches for direct input of the desired reception frequency. Press again to cancel this mode.  
If the input station falls outside of the receiver's tuning range, the display section will display a message: "UPPER" if the frequency is too high and "LOWER" if it is too low.

**15 GRAPHIC EQUALIZER controls**

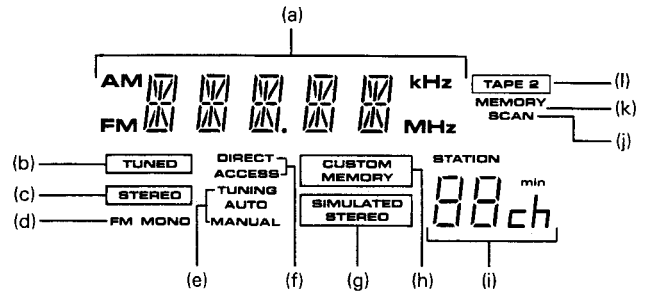
The equalizer is divided into five frequency ranges (100 Hz, 330 Hz, 1 kHz, 3.3 kHz, 10 kHz) to tailor music to the individual taste of the listener.

**16 CUSTOM MEMORY switches**

Stations can be assigned to STATION CALL switches according to the genre of material broadcast (ROCK, POP, OTHER). You can recall a particular genre, and scan all the stations of that genre with Memory Scan unit you reach the desired one.

**17 OPERATION DISPLAY panel**

- (a) Indicates the function or frequency by the function switches.
- (b) TUNED indicator
- (c) FM STEREO indicator
- (d) FM MONO indicator
- (e) TUNING AUTO/MANUAL indicator
- (f) DIRECT ACCESS tuning indicator
- (g) SIMULATED STEREO indicator
- (h) CUSTOM MEMORY indicator
- (i) Indicates channel, STATION CALL number or sleep time.
- (j) SCAN indicator
- (k) MEMORY indicator
- (l) TAPE 2 monitor indicator.



**18 TUNING switches (DOWN, UP)**

**UP:** The FM or AM band is scanned in the direction of increasing frequency.  
**DOWN:** The opposite operation to that of the UP switch takes place.

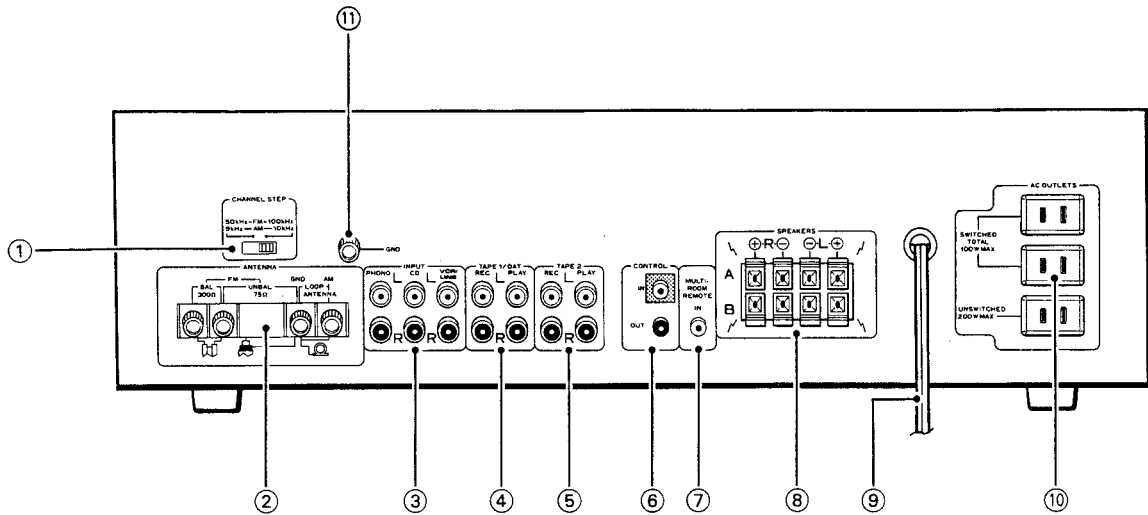
**19 SIMULATED STEREO switch**

This turns monaural signals into simulated stereo sound. Use this when you wish to experience the sense of stereo presence with AM broadcasts, VCR or other monaural signal sources.

**NOTE:**

*This function can also be used with stereo sources, but it will result in a different sound from the normal stereo sound.*

**20 Remote sensor window**



① CHANNEL STEP switch

② FM/AM ANTENNA terminals

Use these antenna terminals for receiving FM and AM broadcasts.

③ INPUT jacks

**PHONO**...Connect to the output cables from a turntable.  
**CD**...Connect to the output jacks of a compact disc player.  
**VCR/LINE** ... Connect to the output jacks of a video cassette recorder, etc.

④ TAPE 1/DAT jacks

Connect these jacks to the cassette deck or digital audio tape deck.

⑤ TAPE2 jacks

Connect these jacks to the cassette deck.

⑥ CONTROL IN/OUT jacks

**IN:** Connect this jack to other Pioneer components when using those components to control this unit.

**OUT:** Connect this jack to other Pioneer components when using the remote control of this unit to control the other components.

**NOTE:**

The receiver's remote sensor does not function when a plug is inserted in the IN jack. To operate, point the remote control unit at the remote sensor on the component to which the receiver's IN jack is connected.

⑦ MULTI-ROOM REMOTE IN jack

Connect the adaptor (MR-100, sold separately) to this Multi-Remote IN jack. You can operate the unit by remote control through the adaptor. It is convenient when the unit is located in a separate room.

⑧ SPEAKERS terminals

**A:** Connect to a first set of speakers.  
**B:** Connect to a second set of speakers.

**NOTE:**

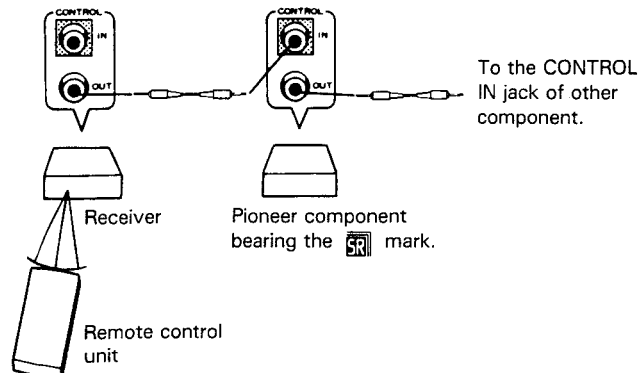
No sound will be heard through the speakers when both A and B switches are depressed if only one set of speakers has been connected to either A or B SPEAKERS terminals.

⑨ Power cord

⑩ AC OUTLETS

⑪ GND terminal

Connect to the ground lead of a turntable.





# 9. SPECIFICATIONS

## Amplifier Section

**Continuous Average Power Output is 65 watts\* per channel, min., at 8 ohms from 20 Hertz to 20,000 Hertz with no more than 0.07 % total harmonic distortion.\*\***

- Continuous Power Output (both channel driven)\*\*
  - 20 Hz — 20 kHz, T.H.D. 0.07 %, 8 Ω..... 65 W + 65 W
- Dynamic power output (with EIA test signal)
  - 2/4/8 Ω ..... 145 W/130 W/90 W
- Total Harmonic Distortion\*\*
  - 1 kHz, 65 W, 8 Ω..... 0.01 %
- Input (Sensitivity/ Impedance)
  - PHONO ..... 2.5 mV/47 kΩ
  - CD, VCR/LINE, TAPE 1/DAT, TAPE 2 ..... 150 mV/22 kΩ
- Phono Overload Level (T.H.D. 0.01 %, 1,000 Hz)
  - PHONO ..... 130 mV
- Output Level
  - TAPE REC ..... 150 mV/2.2 kΩ
- Frequency Response
  - PHONO (RIAA Equalization) ..... 20 Hz to 20,000 Hz ± 0.5 dB
  - CD, VCR/LINE, TAPE 1/DAT, TAPE 2 ... 10 Hz to 70,000 Hz <sup>+0.5</sup>/<sub>-3.0</sub> dB
- Signal-to-Noise Ratio (IHF, short circuited, A network)
  - PHONO ..... 72 dB
  - CD, VCR/LINE, TAPE 1/DAT, TAPE 2..... 96 dB
- Graphic Equalizer frequency band ..... 100 Hz, 330 Hz, 1 kHz, 3.3 kHz, 10 kHz, ± 8 dB

## FM Tuner Section

- Frequency range ..... 87.5 MHz to 108 MHz
- Usable Sensitivity ..... 10.8 dBf, IHF (0.95 μV/75 Ω)
- 50 dB Quieting Sensitivity
  - MONO ..... 15.3 dBf (1.6 μV/75 Ω)
  - STEREO..... 37.1 dBf (19.5 μV/75 Ω)
- Signal-to-Noise Ratio
  - MONO ..... 78 dB (at 85 dBf)
  - STEREO ..... 75 dB (at 85 dBf)
- Distortion
  - STEREO ..... 0.3 % (1 kHz)
- Alternate Channel Selectivity ..... 55 dB (400 kHz)
- Stereo Separation ..... 35 dB (1 kHz)
- Frequency Response ..... 30 Hz to 15 kHz (± 1 dB)
- Antenna Input..... 300 Ω balanced, 75 Ω unbalanced

## AM Tuner Section

- Frequency range, when ..... 530 kHz to 1,700 kHz
- Sensitivity
  - IHF, Loop antenna ..... 300 μV/m
- Selectivity ..... 20 dB
- Signal-to-Noise Ratio ..... 50 dB
- Antenna ..... AM Loop Antenna

## Miscellaneous

- Power Requirements
  - U.S., Canadian model ..... AC 120 Volts, 60 Hz
- Power Consumption
  - U.S., Canadian models ..... 250 W (UL), 335 VA (CSA)
- Dimensions..... 420 (W) X 120 (H) X 337 (D) mm  
16-9/16(W) X 4-3/4 (H) X 13-9/32 (D) in
- Weight (without package) ..... 6.8 kg (15 lb)

## Furnished Parts

- FM T-type Antenna ..... 1
- AM Loop Antenna ..... 1
- Remote control unit ..... 1
- Dry cell battery (size "AAA" (R03/UM-4)) ..... 2
- Operating Instructions ..... 1

\* Measured pursuant to the Federal Trade Commission's Trade Regulation rule on Power Output Claims for Amplifier.

\*\* Measured By Audio Spectrum Analyzer.

## NOTE.

Specifications and design subject to possible modification without notice due to improvements.