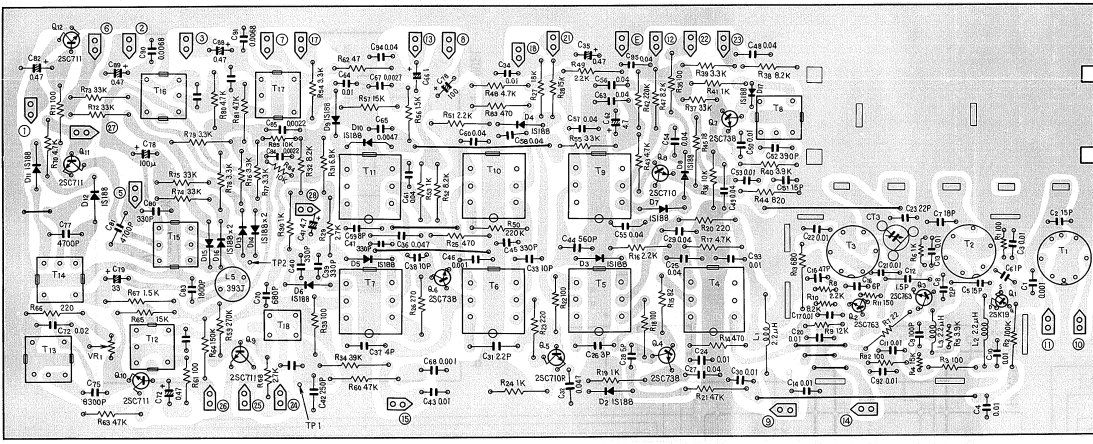
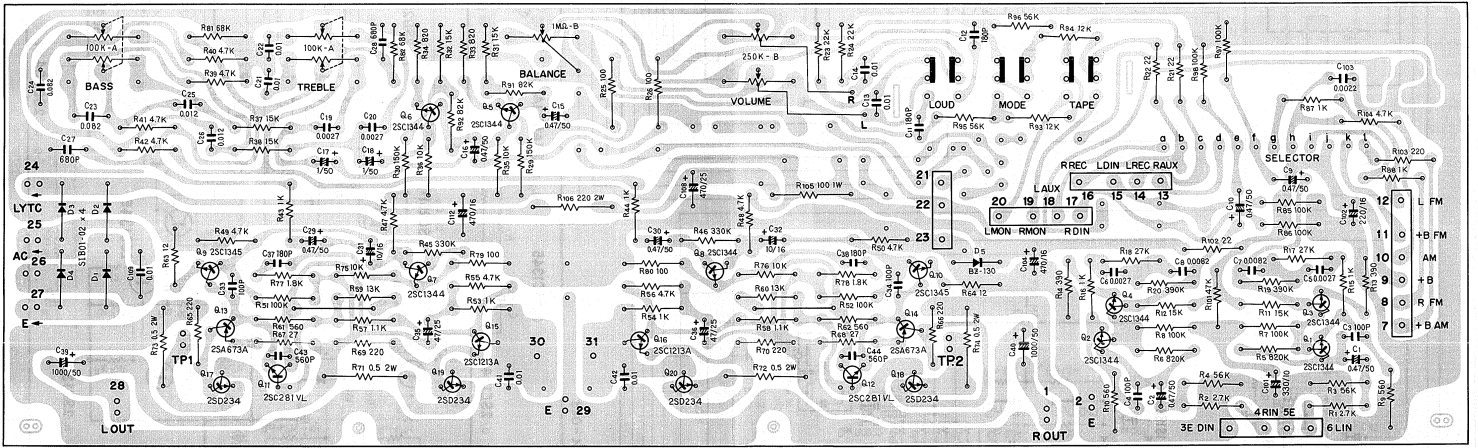


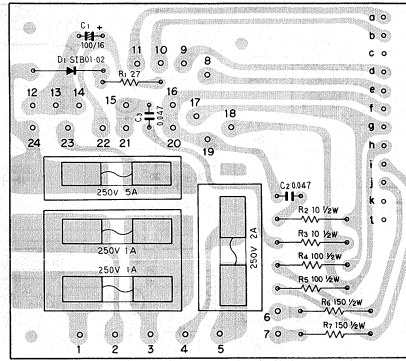
Tuner ass'y AWE-004



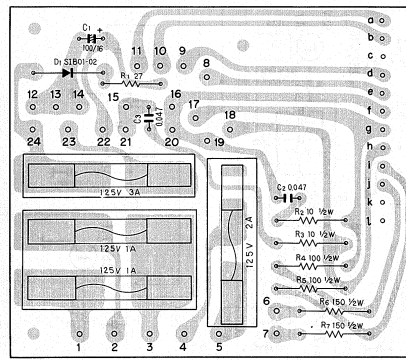
AF amp ass'y AWK-028



Power switch ass'y AWS-051 (NBW model)



Power switch ass'y AWS-052 (FVW model)

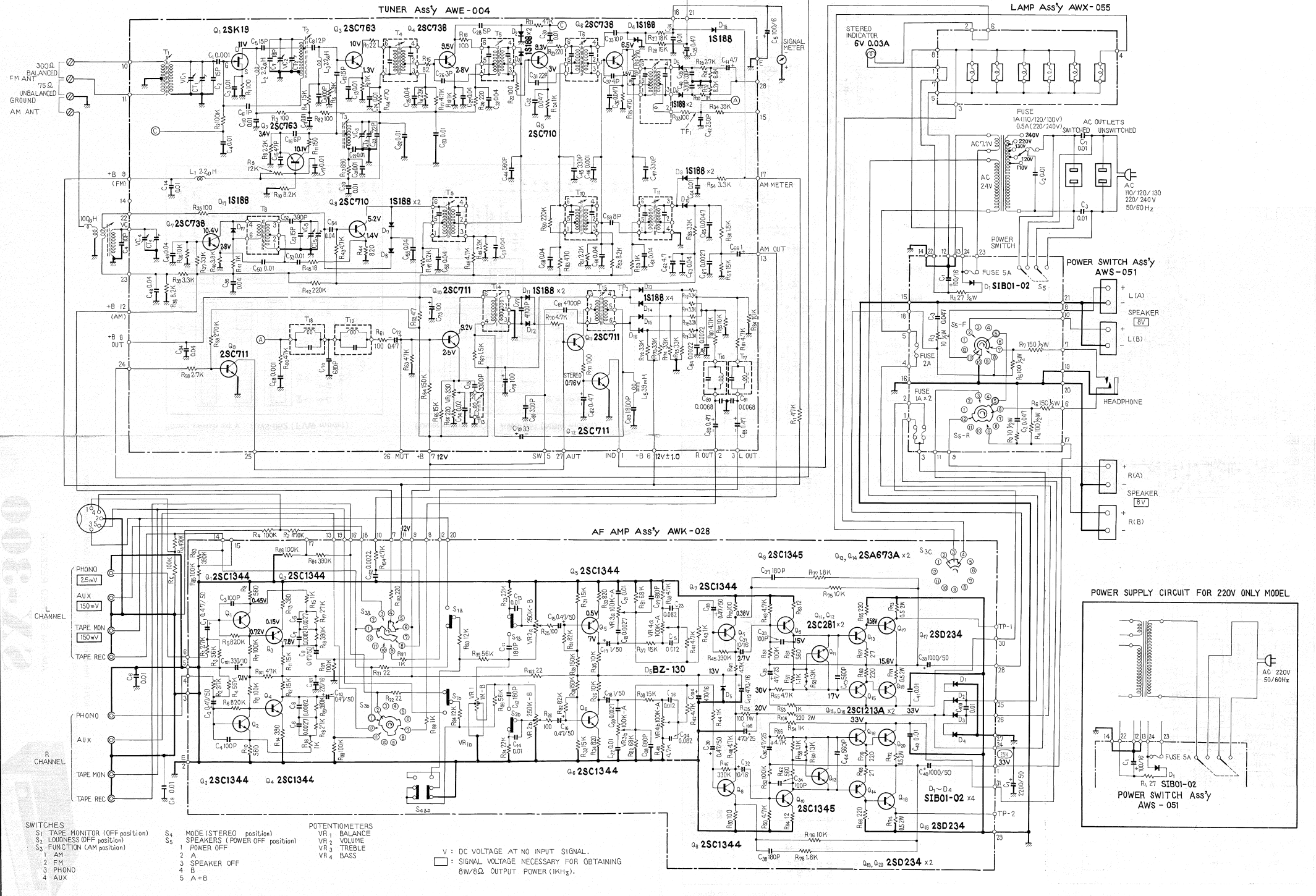


NOTE: This series comes in model SX-300, SX-300D and SX-300W.



AM/FM STEREO RECEIVER
SX-300
 NBW FVW

SX-300



- SWITCHES**
- S1 TAPE MONITOR (OFF position)
 - S2 LOUDNESS (OFF position)
 - S3 FUNCTION (AM position)
 - 1 AM
 - 2 FM
 - 3 PHONO
 - 4 AUX
- POTENTIOMETERS**
- VR1 BALANCE
 - VR2 VOLUME
 - VR3 TREBLE
 - VR4 BASS
- V : DC VOLTAGE AT NO INPUT SIGNAL.
 □ : SIGNAL VOLTAGE NECESSARY FOR OBTAINING 8W/8Ω OUTPUT POWER (1KHZ).

