

Service Manual

ORDER NO.
RRV3490

AUDIO/VIDEO MULTI-CHANNEL RECEIVER

SX-316-S

THIS MANUAL IS APPLICABLE TO THE FOLLOWING MODEL(S) AND TYPE(S).

| Model | Type | Power Requirement | The voltage can be converted by the following method. |
|----------|-------|---|---|
| SX-316-S | SFLXJ | AC 110 V / 120 to 127 V / 220 V / 240 V | With the voltage selector |

● This service manual should be used together with the following manual(s):

| Model No. | Order No. | Remarks |
|----------------|-----------|---------|
| SX-316-S/KUCXJ | RRV3330 | |

● For SPECIFICATIONS and PANEL FACILITIES, refer to the operating instructions.

CONTENTS

| | |
|--|---|
| 1. CONTRAST OF MISCELLANEOUS PARTS | 2 |
| 2. SCHEMATIC DIAGRAM | 5 |

1. CONTRAST OF MISCELLANEOUS PARTS

NOTES: ● Parts marked by "NSP" are generally unavailable because they are not in our Master Spare Parts List.

● The Δ mark found on some component parts indicates the importance of the safety factor of the part. Therefore, when replacing, be sure to use parts of identical designation.

● Screws adjacent to ∇ mark on product are used for disassembly.

● Reference Nos. indicate the pages and Nos. in the service manual for the base model.

● For the applying amount of lubricants or glue, follow the instructions in this manual.

(In the case of no amount instructions, apply as you think it appropriate.)

● When ordering resistors, first convert resistance values into code form as shown in the following examples.

Ex.1 When there are 2 effective digits (any digit apart from 0), such as 560 ohm and 47k ohm (tolerance is shown by J=5%, and K=10%).

560 Ω \rightarrow 56×10^1 \rightarrow 561 RD1/4PU $\begin{matrix} 5 & 6 & 1 \\ \hline & & J \end{matrix}$

47k Ω \rightarrow 47×10^3 \rightarrow 473 RD1/4PU $\begin{matrix} 4 & 7 & 3 \\ \hline & & J \end{matrix}$

0.5 Ω \rightarrow R50 RN2H $\begin{matrix} R & 5 & 0 \\ \hline & & K \end{matrix}$

1 Ω \rightarrow 1R0 RS1P $\begin{matrix} 1 & R & 0 \\ \hline & & K \end{matrix}$

Ex.2 When there are 3 effective digits (such as in high precision metal film resistors).

5.62k Ω \rightarrow 562×10^1 \rightarrow 5621 RN1/4PC $\begin{matrix} 5 & 6 & 2 & 1 \\ \hline & & & F \end{matrix}$

■ CONTRAST TABLE

SX-316-S/SFLXJ and SX-316-S/MYXJ are constructed the same except for the following :

| Ref. No. | Mark | Symbol and Description | Part No. | | Remarks |
|--|----------|---|---|---|-------------|
| | | | SX-316-S /MYXJ | SX-316-S /SFLXJ | |
| P9- 4 | | PCB ASSEMBLIES MAIN ASSY | XWK3244 | XWK3245 | |
| P9- 6 | NSP | COMPLEX ASSY └ PRIMARY ASSY | XWK3237 XWZ4073 | XWK3238 XWZ4074 | |
| P9- 3 P9- 9 | NSP | AMP ASSY └ V3 POWER PACK ASSY └ TRANS2 ASSY | XWK3241 XWZ4117 XWZ4092 | XWK3242 XWZ4118 XWZ4091 | |
| P7- 8 P7- 9 P7- 10 P7-15 P7-17 | | PACKING SECTION Operating Instructions (Dutch/Spanish) Operating Instructions (French/German) Operating Instructions (English/Italian) Packing Case Label | XRC3221 XRC3222 XRE3115 XHD3593 ARW7322 | Not used Not used Not used XHD3603 Not used | |
| P7-18 | NSP | Warranty Card Operating Instructions (English) Operating Instructions (Chinese/Spanish) Caution 220V Label | ARY7065 Not used Not used Not used | Not used XRB3057 XRC3227 XRR3001 | Accessories |
| | Δ | AC Power Cord | Not used | ADG7062 | Accessories |
| | Δ | AC Power Cord | Not used | ADG7076 | Accessories |
| | Δ | AC Power Cord | Not used | ADG7104 | Accessories |
| | | J Shape Plug | Not used | AKX7008 | Accessories |
| | | Caution Card | Not used | ARM7063 | |
| | | Caution Card | Not used | ARM7064 | |
| P9- 2 P9- 15 P9- 15 P9-16 | | EXTERIOR SECTION FM/AM TUNER UNIT | AXX7170 | AXX7211 | |
| | Δ | Fuse (FU1 : T3.15A) | REK1027 | Not used | |
| | Δ | Fuse (FU1 : T6.3A) | Not used | REK1030 | |
| | NSP | Fuse Card | AAX7493 | XAX3218 | No. 2 |
| | Δ | AC Inlet Assy | Not used | ADX7395 | |
| | Δ | Fuse (FU2, FU3 : T3.15A) | Not used | REK1027 | |
| | Δ | Voltage Selector | Not used | AKX-507 | No. 1 |
| | NSP | SISIR Label | Not used | XAX3580 | |
| P9-17 P9-24 | Δ | AC Power Cord | VDG1080 | Not used | |
| | | Rear Panel | XNC3421 | XNC3422 | |
| P9-29 | | Cord Stopper | CM-22B | Not used | |

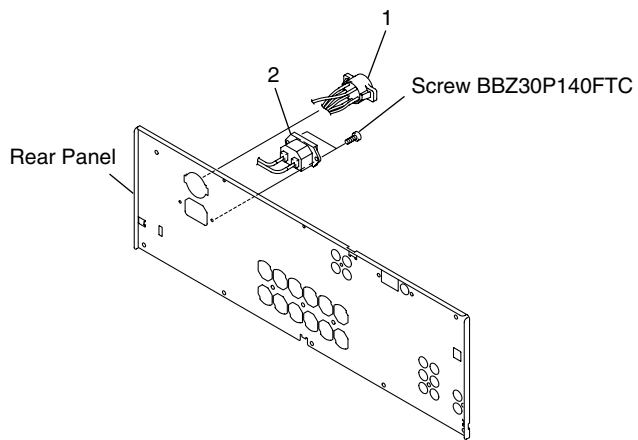
| Ref. No. | Mark | Symbol and Description | Part No. | | Remarks |
|----------------------------|------|--|-------------------------------|-------------------------------|---------|
| | | | SX-316-S /MYXJ | SX-316-S /SFLXJ | |
| P11- 7 P11-10 P11-17 | | FRONT PANEL SECTION FRT Panel PANEL ASSY FRT Panel | XMB3237 XXG3258 XMB3237 | XMB3238 XXG3259 XMB3238 | |

Notes : ●The numbers in the remarks column correspond to the numbers on the “ EXPLODED VIEWS ”.

● For PCB ASSEMBLIES, Refer to “CONTRAST OF PCB ASSEMBLIES” and “2. SCHEMATIC DIAGRAM” .

■ EXPLODED VIEWS

■ EXTERIOR SECTION



■ CONTRAST OF PCB ASSEMBLIES

A F MAIN ASSY

XWK3245 and XWK3244 are constructed the same except for the following :

| Mark | Symbol and Description | Part No. | | Remarks |
|------|---|--|---|---------|
| | | XWK3244 | XWK3245 | |
| | IC5001 R5010,R5012 R5012,R5013 R9026 C107,C108,C111-C114,C187,C188,C191,C192 C5011 C5013, C5014 C5015 C5016 C5017 C5020 X5001 CRISTAL RESONATOR (4.332MHz) | LC72725M RS1/16S473J RS1/16S102J RS1/16S751J CCSRCH101J50 CEJQ100M50 CCSRCH270J50 CEJQ470M16 CKSRYP103K50 CCSRCH561J50 CKSRYP472K50 ASS7004 | Not used Not used Not used RS1/16S182J Not used Not used Not used Not used Not used Not used Not used Not used | |

C F POWER PACK ASSY

XWZ4118 and XWZ4117 are constructed the same except for the following :

| Mark | Symbol and Description | Part No. | | Remarks |
|------|--------------------------|-------------------------|---------------------------|---------|
| | | XWZ4117 | XWZ4118 | |
| | R707, R708 R709, R710 | RD1/4PU124J Not used | RD1/4PU104J RS1LMF472J | * |

* Refer to KUCXJ type on the Service manual RRV3330.

D F TRANS2 ASSY

XWZ4091 and XWZ4092 are constructed the same except for the following :

| Mark | Symbol and Description | Part No. | | Remarks |
|------|------------------------|----------|---------|---------|
| | | XWZ4092 | XWZ4091 | |
| △ | IC853 | AEK7021 | AEK7018 | |

U F PRIMARY ASSY

XWZ4074 and XWZ4073 are constructed the same except for the following :

| Mark | Symbol and Description | Part No. | | Remarks |
|------|------------------------------|--|--|---------|
| | | XWZ4073 | XWZ4074 | |
| | D58 H53-H56 S51 T51 | MTZJ5.1 Not used Not used ATT7040 | MTZJ5R1 AKR7001 XKX3005 XTT3006 | |

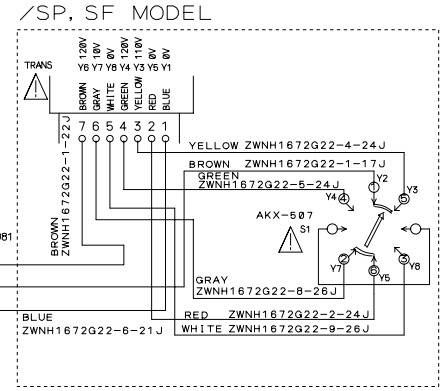
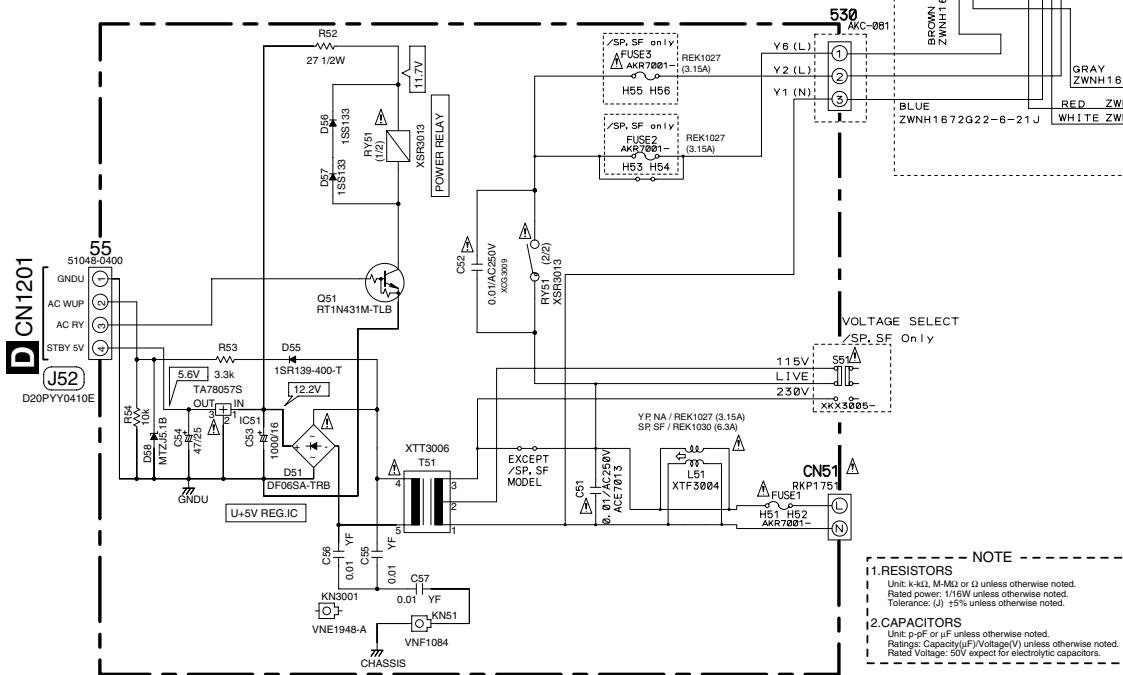
2. SCHEMATIC DIAGRAM

2.1 PRIMARY ASSY

• NOTE FOR FUSE REPLACEMENT

CAUTION -FOR CONTINUED PROTECTION AGAINST RISK OF FIRE, REPLACE WITH SAME TYPE AND RATINGS ONLY.

UF PRIMARY ASSY
(SFLXJ : XWZ4074)



- NOTE**
- RESISTORS**
Unit: k- Ω , M- Ω or Ω unless otherwise noted.
Rated power: 1/16W unless otherwise noted.
Tolerance: (J) \pm 5% unless otherwise noted.
 - CAPACITORS**
Unit: p-pF or μ F unless otherwise noted.
Ratings: Capacity(μ F)/Voltage(V) unless otherwise noted.
Rated Voltage: 50V except for electrolytic capacitors.

