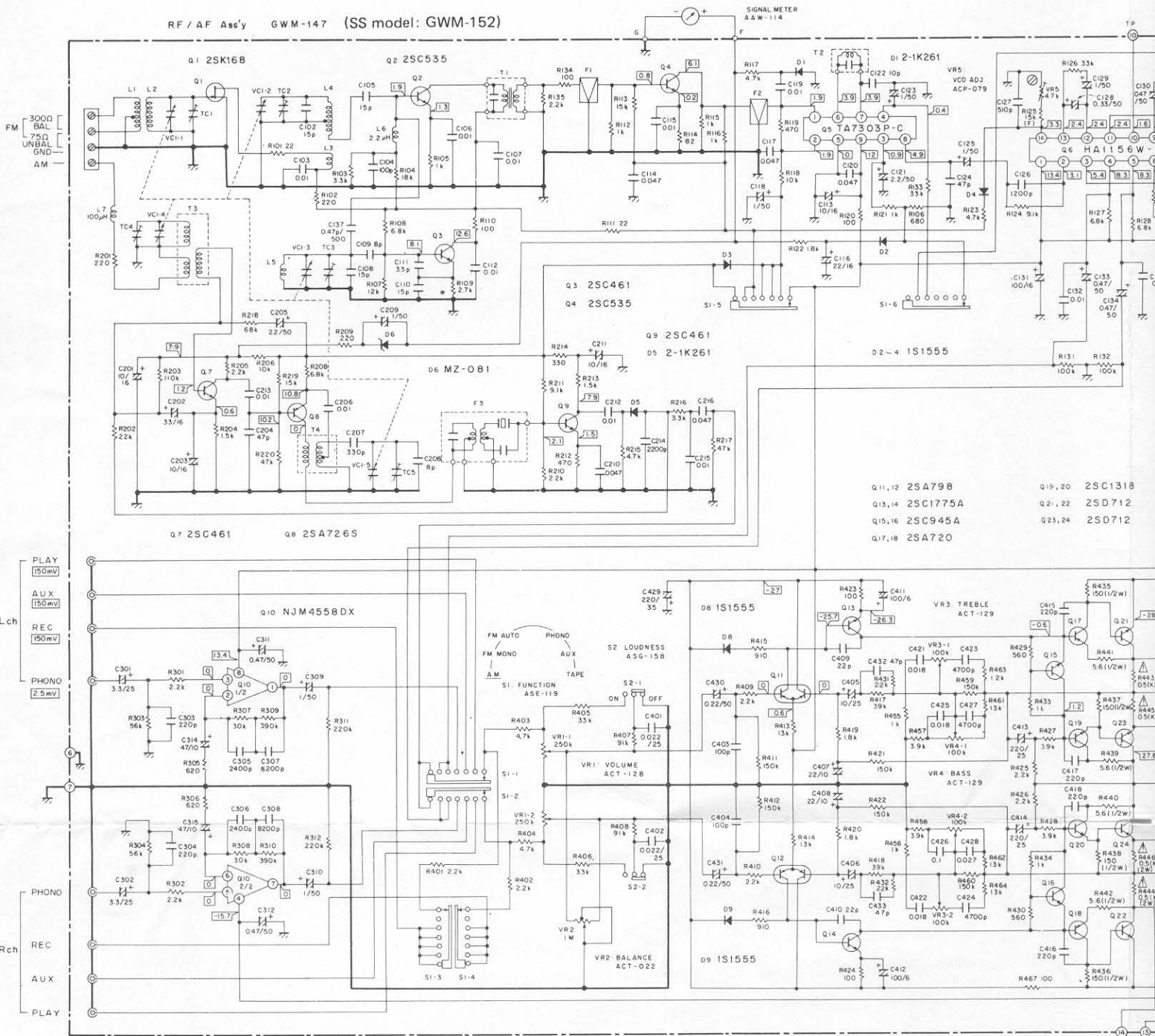
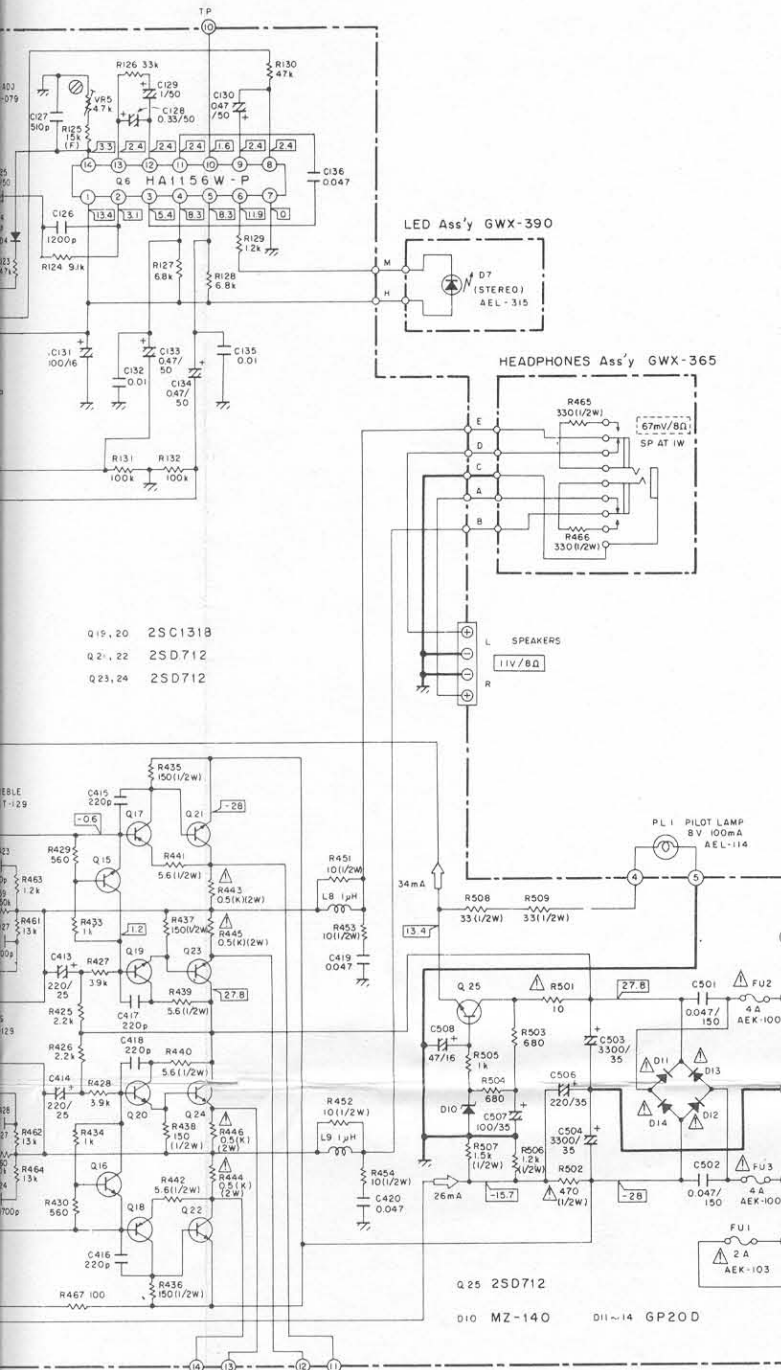


RF / AF Ass'y GWM-147 (SS model: GWM-152)



- Q11, 12 2SA798
- Q13, 14 2SC1775A
- Q15, 16 2SC945A
- Q17, 18 2SA720
- Q19, 20 2SC1318
- Q21, 22 2SD712
- Q23, 24 2SD712

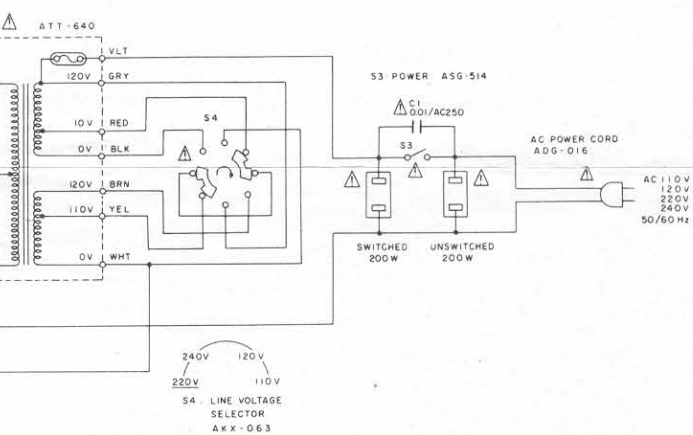
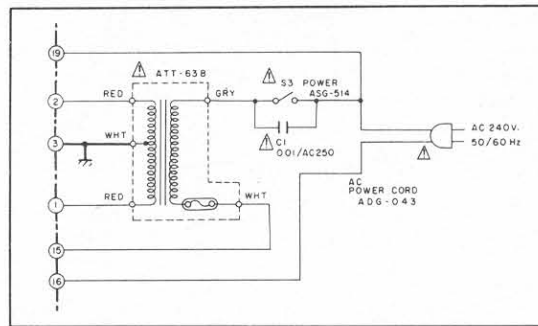
PIONEER STÉREO RECEIVER Mod. SX-408



- 1. RESISTORS:**
Indicated in Ω, 1/4W, ±5% tolerance unless otherwise noted k : kΩ, M : MΩ, (F) : ±1%, (G) : ±2%, (K) : ±10% tolerance
- 2. CAPACITORS:**
Indicated in capacity (μF)/voltage (V) unless otherwise noted p : pF
Indication without voltage is 50V except electrolytic capacitor.
- 3. VOLTAGE, CURRENT:**
□ Signal voltage at 15 W + 15 W B1 output (1kHz)
□ DC voltage (V) at no input signal
◁ mA DC current at no input signal
- 4. OTHERS:**
⊗ Adjusting point.
The Δ mark found on some component parts indicates the importance of the safety factor of the part. Therefore, when replacing, be sure to use parts of identical designation.
- This is the basic schematic diagram, but the actual circuit may vary due to improvements in design.

- SWITCHES:**
S1 : FUNCTION
ΔM - FM MONO - FM AUTO - PHONO - AUX - TAPE
S2 : LOUDNESS ON - OFF
S3 : POWER ON - OFF
S4 : LINE VOLTAGE SELECTOR
220V - 240V - 120V - 110V
The underlined indicates the switch position.

POWER SUPPLY CIRCUIT FOR AUSTRALIA MODEL



NOTE:

- This schematic diagram is based on S model.
- SS and YP models differ from S model in the RF/AF ass'y as shown in table below.

RF/AF Ass'y	R109
S, YP model GWM-147	2.7kΩ
SS model GWM-152	3.9kΩ