

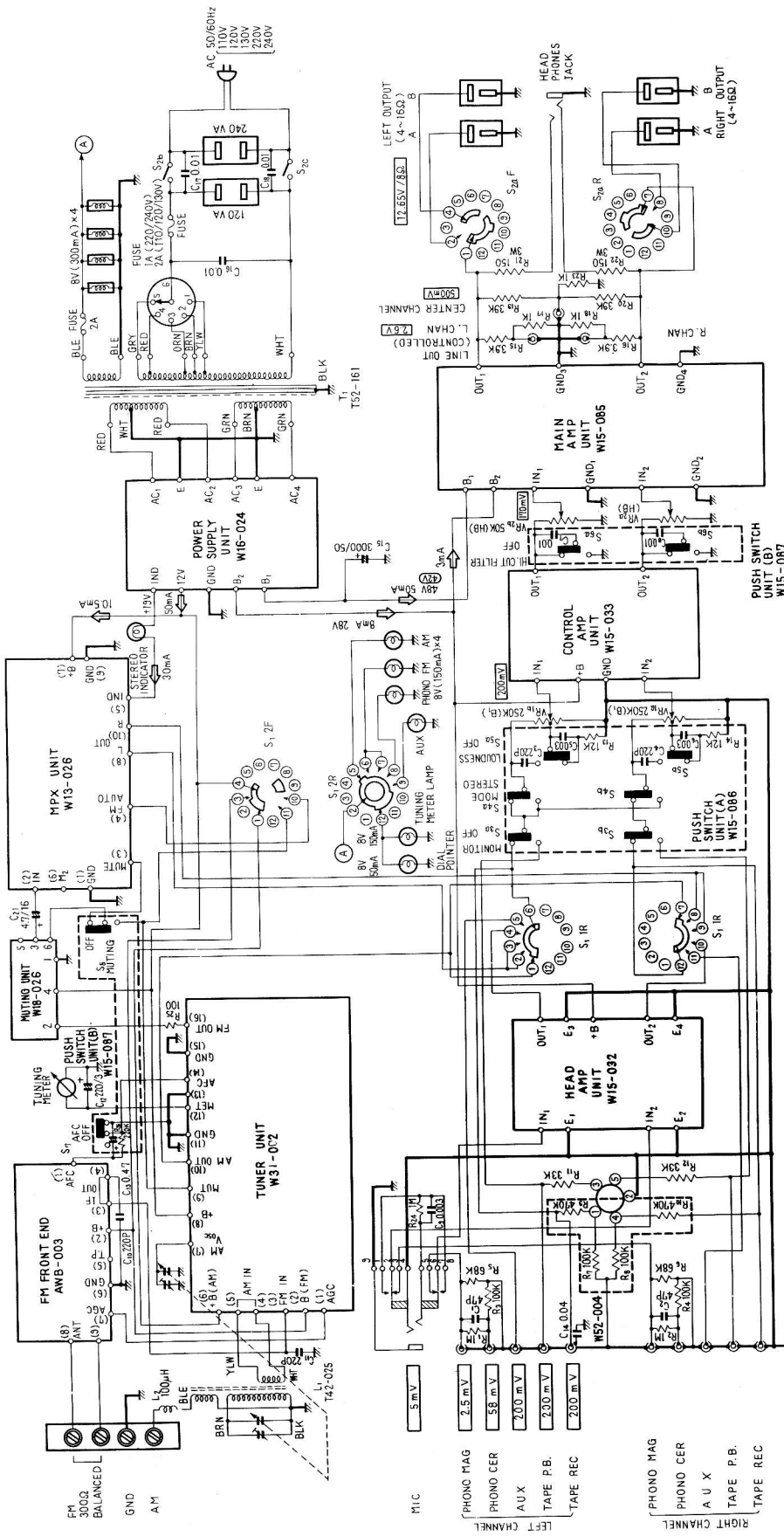
AM/FM STEREO RECEIVER

SX-770

UNIT	ROUND LABEL	FVZW	NBW	KCLW	FVW		
TUNER UNIT							
FM FRONT END	AWB-003	W11-035	W11-035	W11-035	W11-035		
TUNER UNIT	W31-002	W31-002	W31-002	W31-002	W31-002		
MPX UNIT	W13-026	W13-026	W13-026	W13-026	W13-026		
AM TUNER UNIT							
MUTING UNIT	W18-026	W18-026	W18-026	W18-026	W18-026		
HEAD AMP UNIT	W15-032	W15-032	W15-032	W15-032	W15-032		
CONTROL AMP UNIT	W15-033	W15-033	W15-033	W15-033	W15-033		
MAIN AMP UNIT	W15-085	W23-005	W15-085	W15-085	W15-085		
POWER SUPPLY UNIT	W16-024	W16-064	W16-024	W16-024	W16-024		
SWITCH UNIT (A)	W15-086	W15-086	W15-086	W15-086	W15-086		
SWITCH UNIT (B)	W15-087	W15-087	W15-087	W15-087	W15-087		
SWITCH UNIT							
TONE COLOR UNIT							
CONTROL UNIT							
MIC AMP UNIT							
REVERBE AMP UNIT							
REVERBE UNIT							



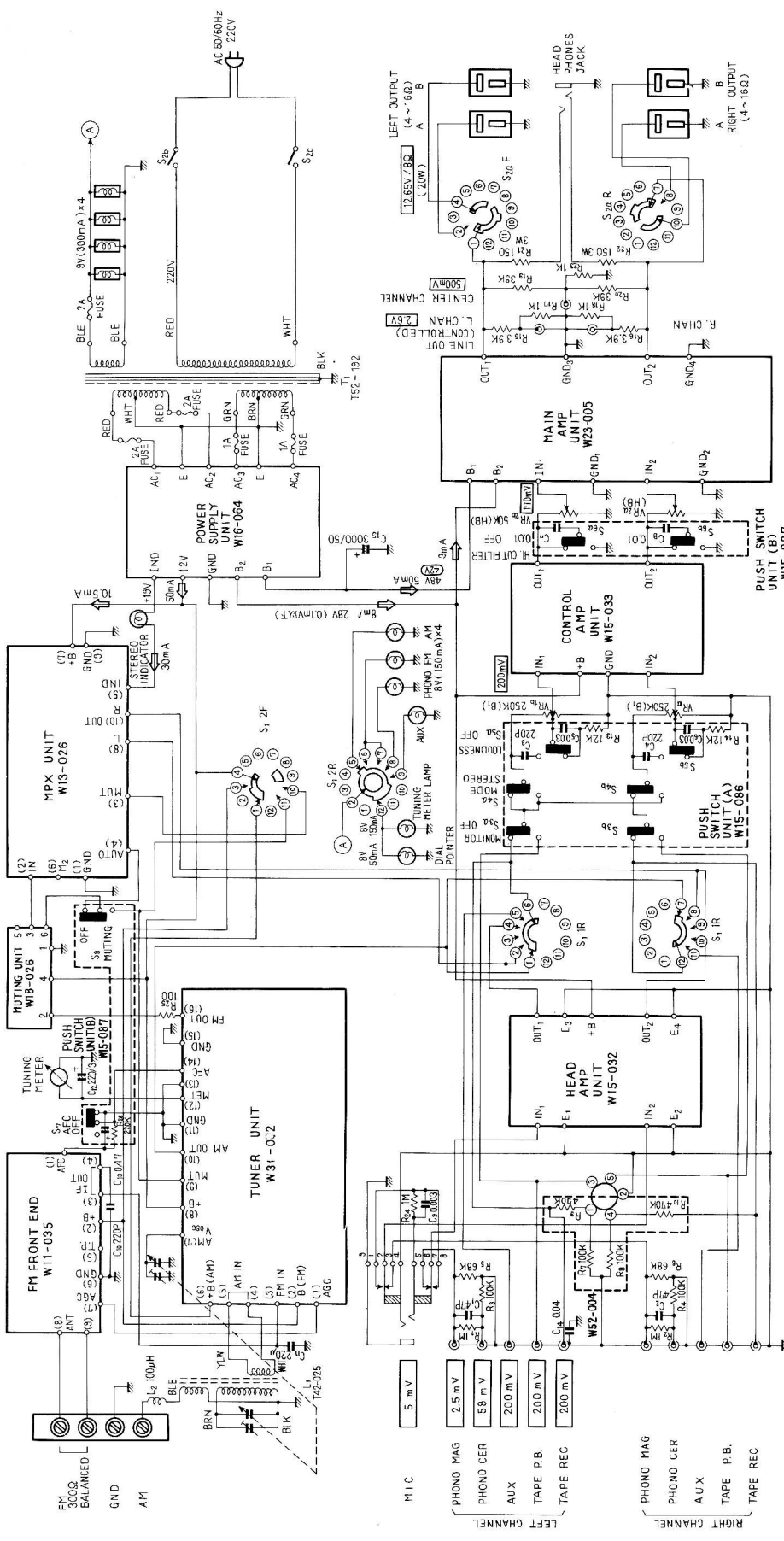
SX-770



- SWITCHES**
 S₁ INPUT SELECTOR
 1. AM
 2. FM
 3. FM AUTO
 4. PHONO & MIC
 5. AUX
 S₂ OUTPUT SELECTOR
 1. POWER OFF
 2. A
 3. SP OFF (PHONES)
 4. B
 5. A+B
- TAPE MONITOR**
 S₃ TAPE MONITOR
 S₄ MODE
 S₅ LOUDNESS
 S₆ HIGH CUT FILTER
 S₇ AFC
 S₈ MUTING
- POTENTIOMETERS**
 VR₁ MAIN VOLUME CONTROL
 VR₂ BALANCE VOLUME CONTROL
- RESISTORS**
 MON MARK : OHM
 K : KILOHM
 W : WATT
- CAPACITORS**
 NON MARK : μF
 P : pF
- DC CURRENT AT NO INPUT SIGNAL**
 ← V : DC VOLTAGE AT NO INPUT SIGNAL
 ← D : DC VOLTAGE AT MAIN INPUT SIGNAL (ONE CHANNEL)
- Legend:**
 [Symbol] SIGNAL VOLTAGE AT 20W/8Ω (SPEAKER OUTPUT)
 [Symbol] ALL VOLTAGE MEASURED WITH V.T.V.M.

SX-770 for NBW model

SX-770



SECTION	ITEM No.	VACANT
1	R	R ₁ ~ R ₈
2	C	C ₁ ~ C ₁₀

SIGNAL VOLTAGE AT 20W/8Ω
 (SPEAKER OUTPUT)
 ALL VOLTAGE MEASURED WITH V.T.V.M.

NO INPUT SIGNAL DC CURRENT
 NO INPUT SIGNAL DC VOLTAGE
 MAX INPUT SIGNAL DC VOLTAGE
 (ONE CHANNEL)

CAPACITORS
 NON MARK: μF
 P: pμF

POTENTIOMETERS
 VR₁ MAIN VOLUME CONTROL
 VR₂ BALANCE VOLUME CONTROL

RESISTORS
 NON MARK: OHM K: KILOHM
 M: MEGOHM W: WATT

S₁ TAPE MONITOR OFF - ON
 STEREO - MONO OFF - ON
 S₂ MODE OFF - ON
 S₃ FM AUTO OFF - ON
 S₄ PHONO & MIC OFF - ON
 S₅ AFC OFF - ON
 S₆ MUTING OFF - ON

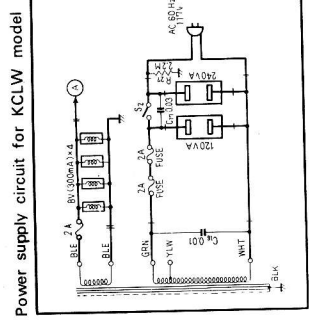
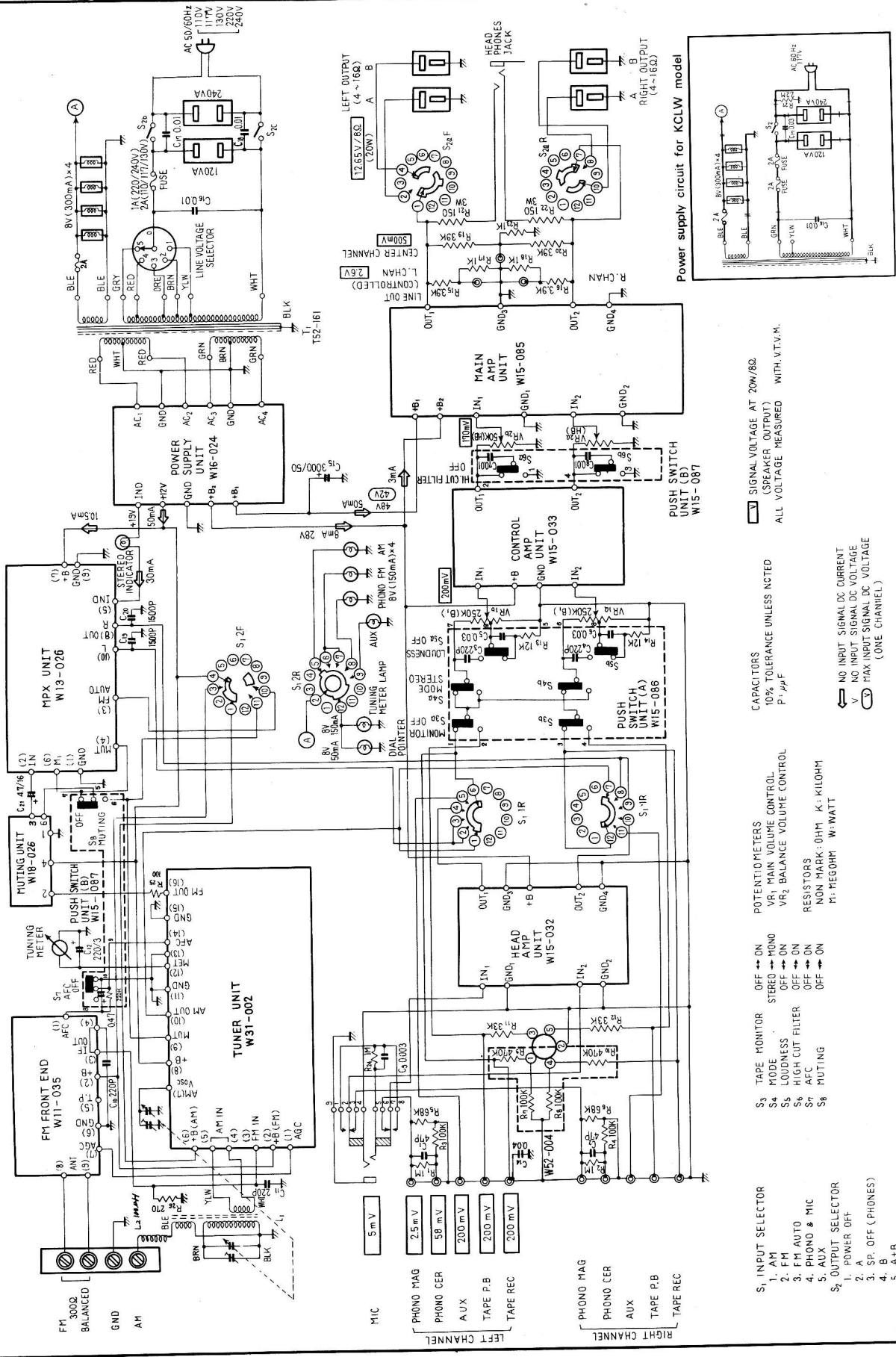
S₃ TAPE MONITOR
 S₄ MODE
 S₅ LOUDNESS
 S₆ HIGH CUT FILTER
 S₇ AFC
 S₈ MUTING

S₁ INPUT SELECTOR
 1. AM
 2. FM
 3. FM AUTO
 4. PHONO & MIC
 5. AUX

S₂ OUTPUT SELECTOR
 1. POWER OFF
 2. A
 3. SP OFF (PHONES)
 4. B
 5. A + B

- MIC
- PHONO MAG
- PHONO CER
- AUX
- TAPE P.B.
- TAPE REC
- PHONO MAG
- PHONO CER
- AUX
- TAPE P.B.
- TAPE REC

SX-770



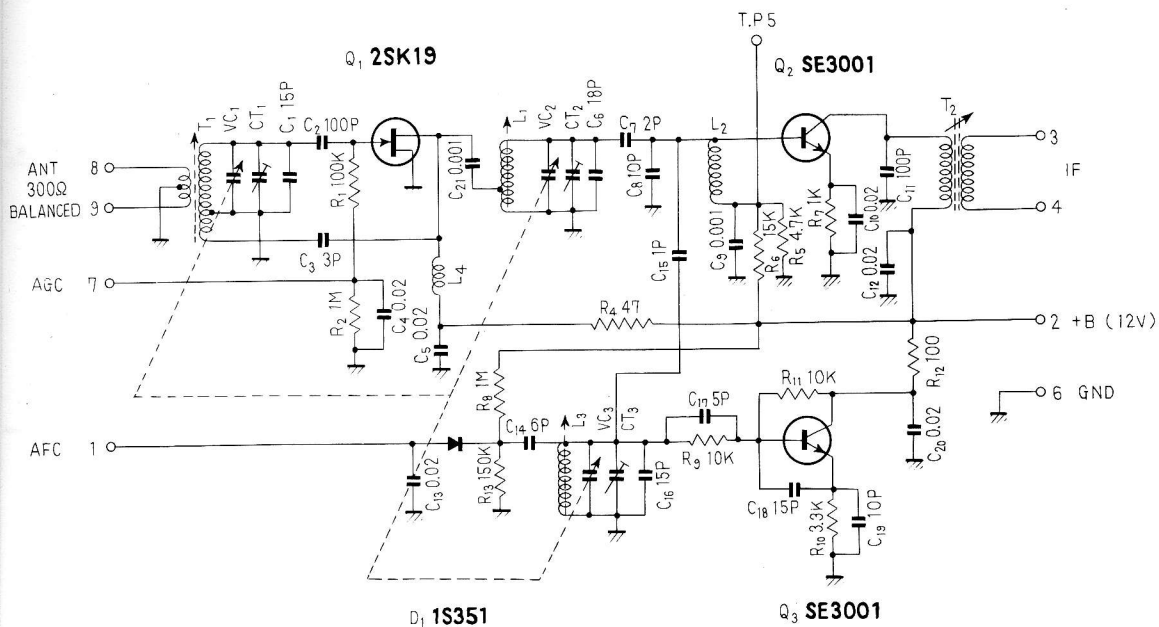
- ⊖ NO INPUT SIGNAL DC CURRENT
- ⊖ NO INPUT SIGNAL DC VOLTAGE (ONE CHANNEL)
- ⊖ MAX INPUT SIGNAL DC VOLTAGE
- ⊖ SIGNAL VOLTAGE AT 20W/8Ω (SPEAKER OUTPUT)
- ⊖ ALL VOLTAGE MEASURED WITH W.T.V.M.
- ⊖ CAPACITORS 10% TOLERANCE UNLESS NOTED
- ⊖ P-μF
- ⊖ POTENTIOMETERS
- VR1 MAIN VOLUME CONTROL
- VR2 BALANCE VOLUME CONTROL
- RESISTORS
- NON MARK: 0.1M K, 1 KILOHM
- PH: 1/4WATT
- ⊖ TAPE MONITOR OFF ↔ ON
- ⊖ STEREO OFF ↔ ON
- ⊖ LOUDNESS OFF ↔ ON
- ⊖ HIGH CUT FILTER OFF ↔ ON
- ⊖ AFC OFF ↔ ON
- ⊖ MUTING OFF ↔ ON
- S3 TAPE MONITOR
- S4 STEREO
- S5 LOUDNESS
- S6 HIGH CUT FILTER
- S7 AFC
- S8 MUTING
- S1 INPUT SELECTOR
- 1. AM
- 2. FM AUTO
- 3. FM AUTO & MIC
- 4. PHONO & MIC
- 5. AUX
- S2 OUTPUT SELECTOR
- 1. POWER OFF
- 2. A
- 3. SP. OFF (PHONES)
- 4. B
- 5. A+B

- MIC
- PHONO MAG
- PHONO CER
- AUX
- TAPE P.B
- TAPE REC
- PHONO MAG
- PHONO CER
- AUX
- TAPE P.B
- TAPE REC

FM FRONT END

FM FRONT END

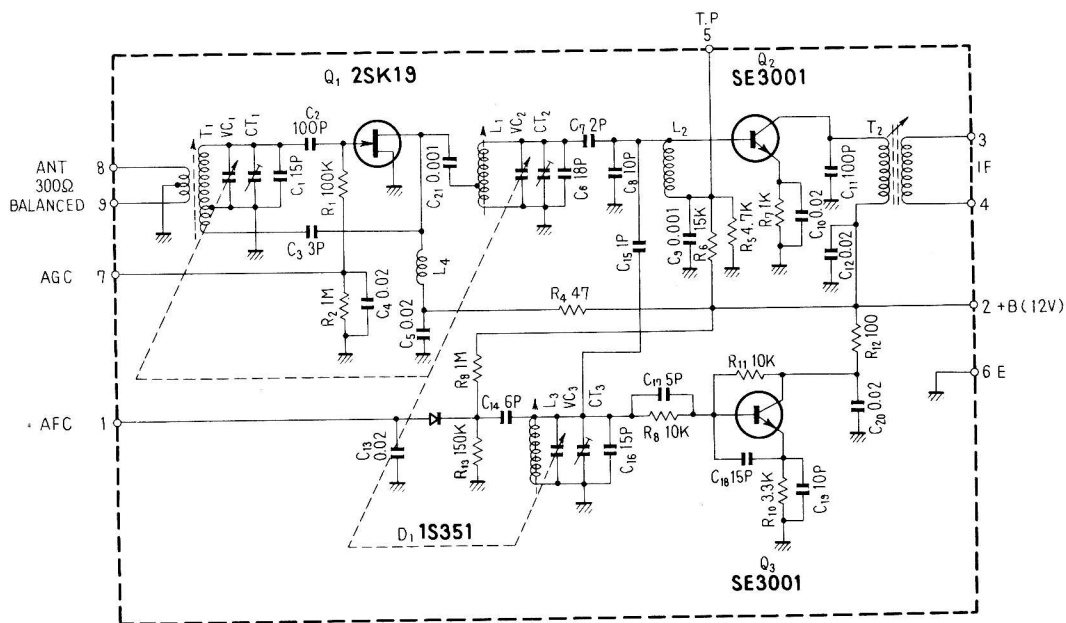
W11-035



FM FRONT END for FVZW model

FM FRONT END

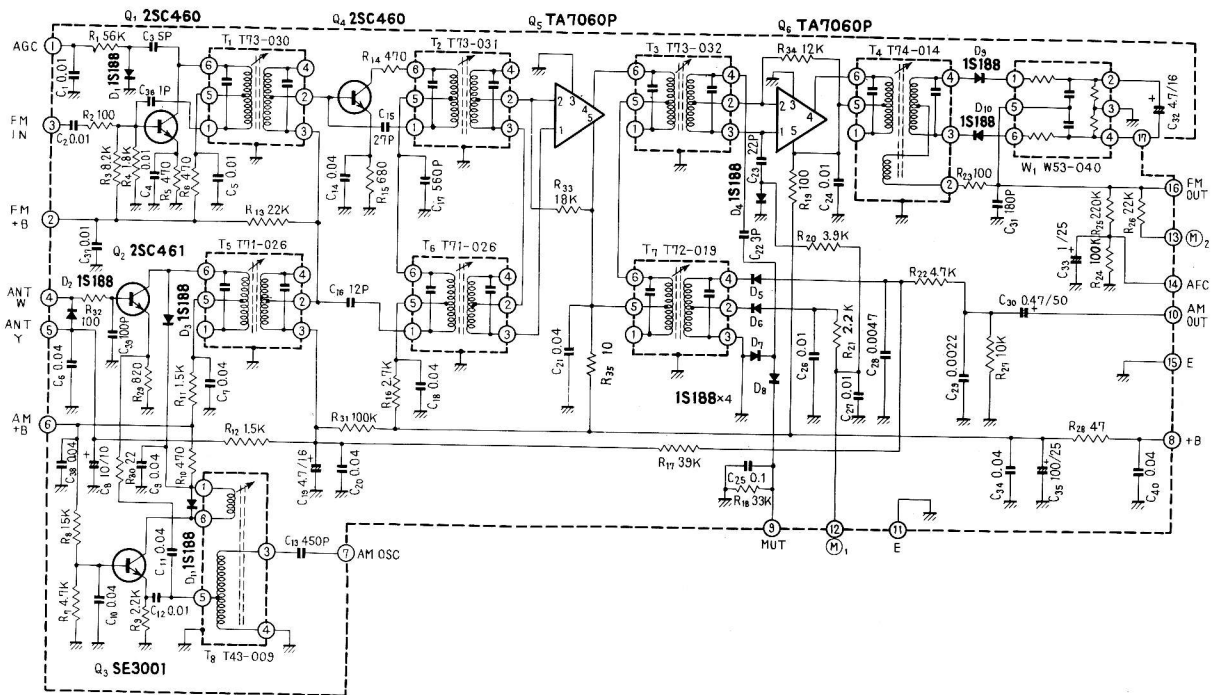
AWB-003



TUNER UNIT

TUNER UNIT

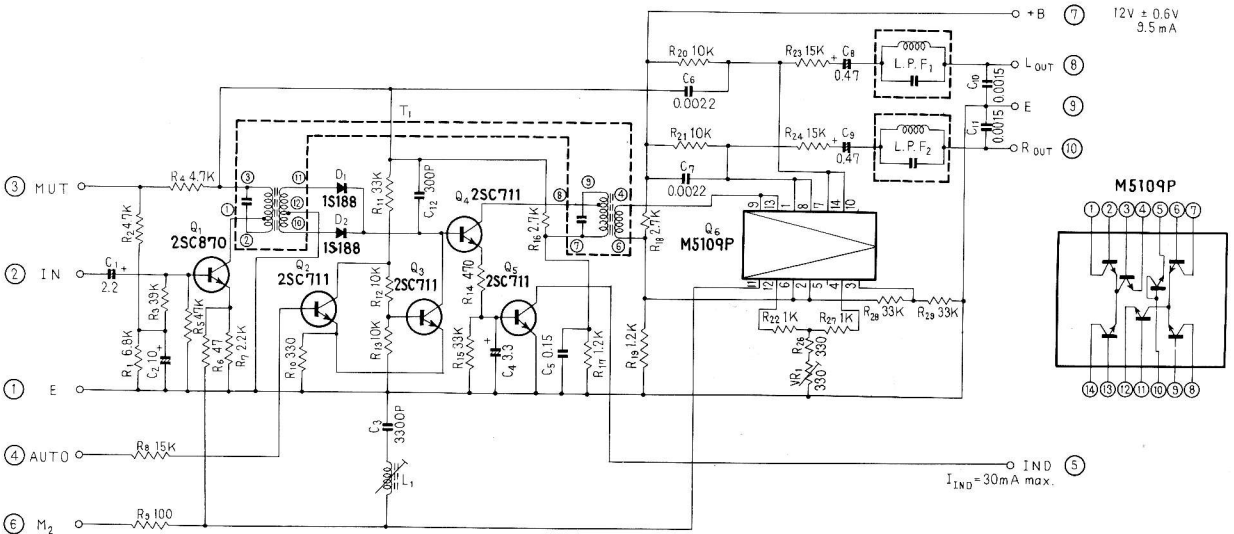
W31-002



MPX UNIT

MPX UNIT

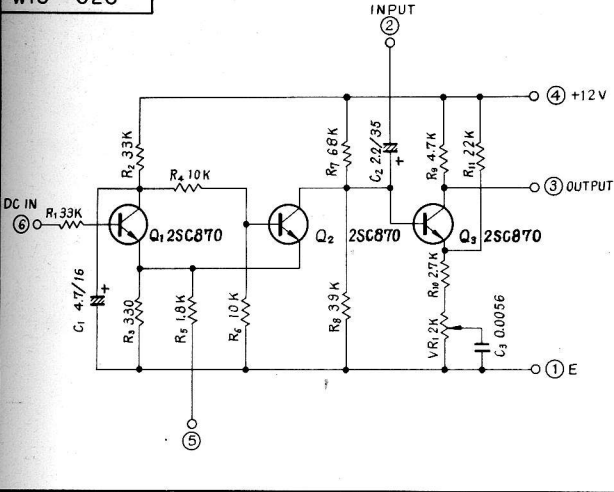
W13-026



MUTING UNIT

MUTING UNIT

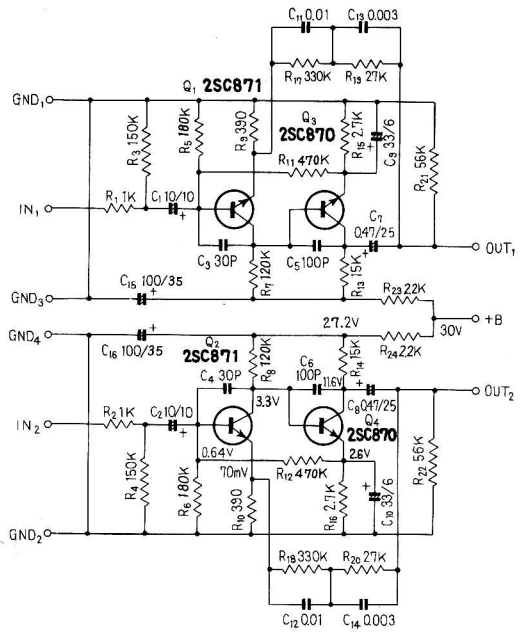
W18-026



HEAD AMP UNIT

HEAD AMP UNIT

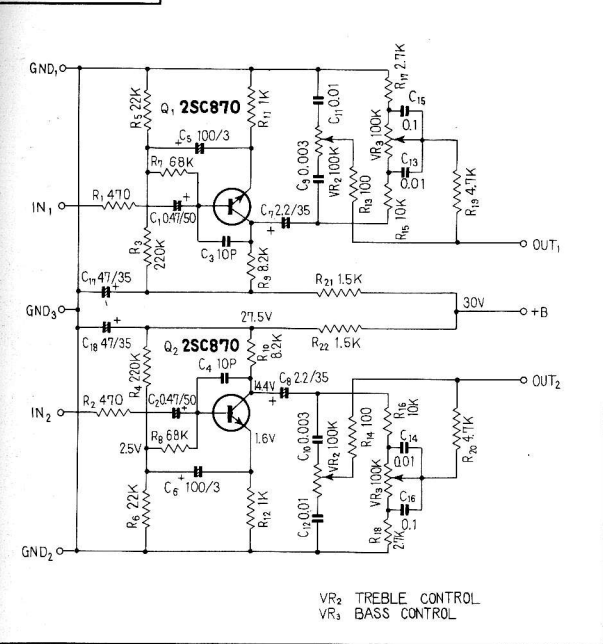
W15-032



CONTROL AMP UNIT

CONTROL AMP UNIT

W15-033

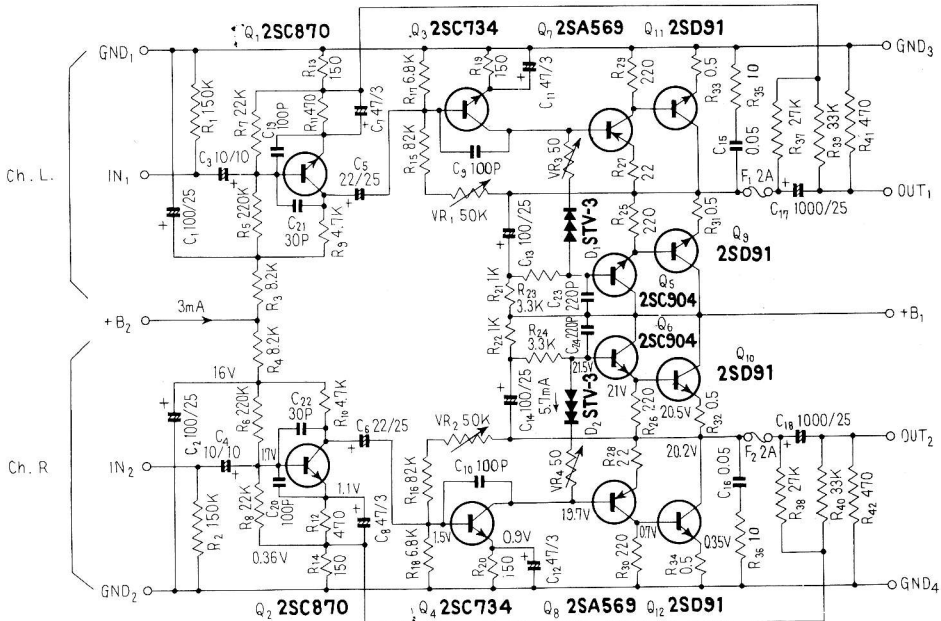


VR₂ TREBLE CONTROL
VR₃ BASS CONTROL

MAIN AMP UNIT

MAIN AMP UNIT

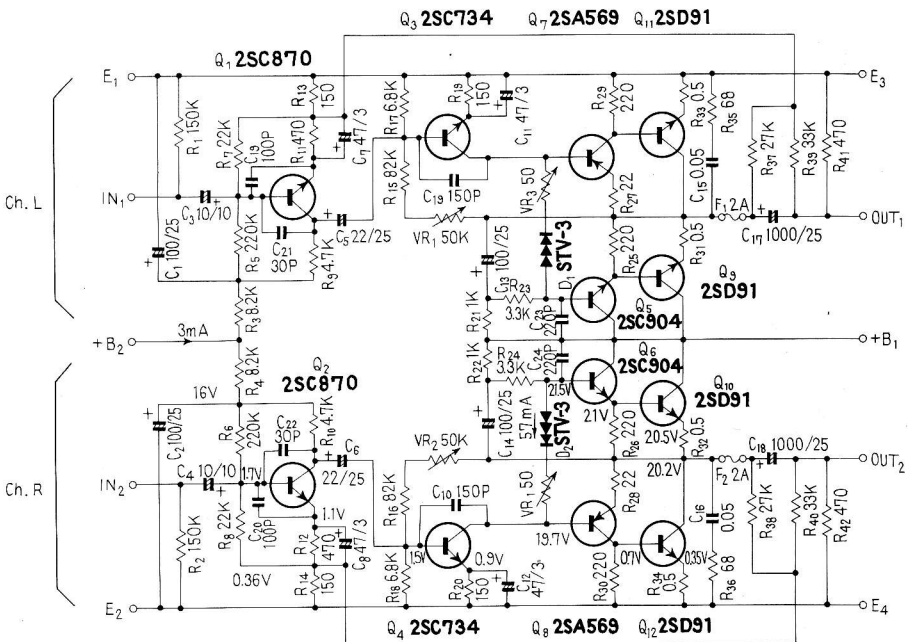
W15-085



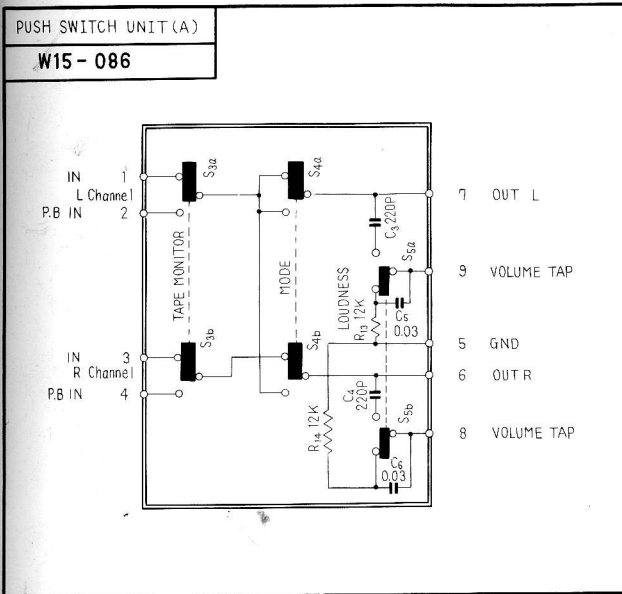
MAIN AMP UNIT For NBW model

MAIN AMP UNIT

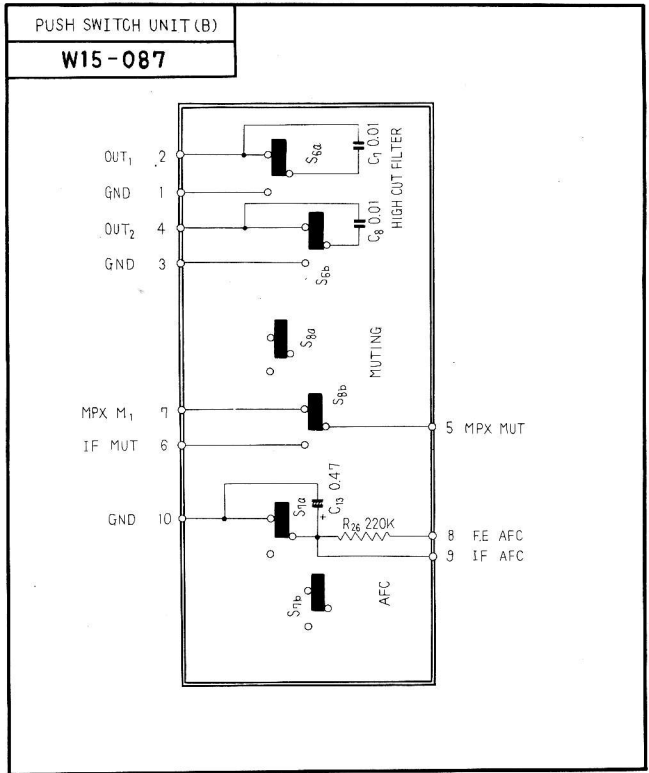
W23-005



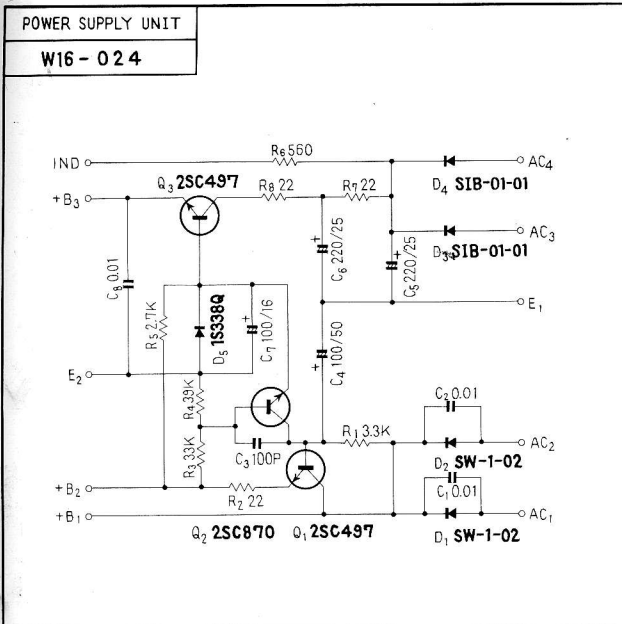
PUSH SWITCH UNIT



PUSH SWITCH UNIT



POWER SUPPLY UNIT



POWER SUPPLY UNIT for NBW model

