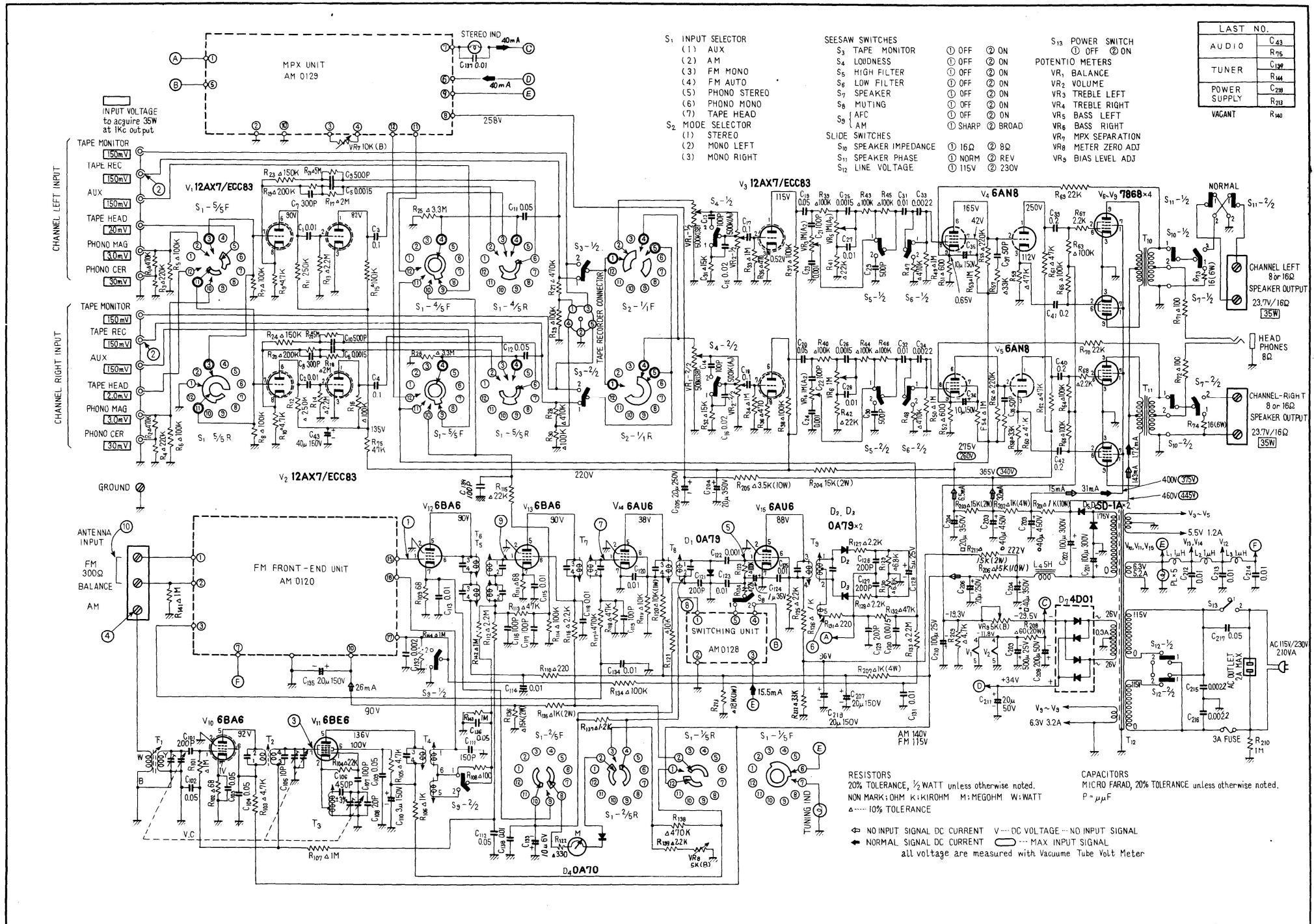


Model SX-800A, SX-2000

| LAST NO. | |
|--------------|------|
| AUDIO | C43 |
| | R75 |
| TUNER | C127 |
| | R144 |
| POWER SUPPLY | C218 |
| | R213 |
| VACANT | R460 |

- S₁ INPUT SELECTOR**
 (1) AUX
 (2) AM
 (3) FM MONO
 (4) FM AUTO
 (5) PHONO STEREO
 (6) PHONO MONO
 (7) TAPE HEAD
- S₂ MODE SELECTOR**
 (1) STEREO
 (2) MONO LEFT
 (3) MONO RIGHT
- SEESAW SWITCHES**
 S₃ TAPE MONITOR
 S₄ LOUDNESS
 S₅ HIGH FILTER
 S₆ LOW FILTER
 S₇ SPEAKER
 S₈ MUTING
 S₉ A FC
 S₉ L AM
- SLIDE SWITCHES**
 S₁₀ SPEAKER IMPEDANCE
 S₁₁ SPEAKER PHASE
 S₁₂ LINE VOLTAGE
- POTENTIOMETERS**
 VR₁ BALANCE
 VR₂ VOLUME
 VR₃ TREBLE LEFT
 VR₄ TREBLE RIGHT
 VR₅ BASS LEFT
 VR₆ BASS RIGHT
 VR₇ MPX SEPARATION
 VR₈ METER ZERO ADJ
 VR₉ BIAS LEVEL ADJ
- POWER SWITCH**
 ① OFF ② ON
- RESISTORS**
 20% TOLERANCE, 1/2 WATT unless otherwise noted.
 NON MARK; OHM K; KIROHM M; MEGOHM W; WATT
 Δ --- 10% TOLERANCE
- CAPACITORS**
 MICRO FARAD, 20% TOLERANCE unless otherwise noted.
 P = μF



⊕ NO INPUT SIGNAL DC CURRENT V --- DC VOLTAGE --- NO INPUT SIGNAL
 ◄ NORMAL SIGNAL DC CURRENT ◯ --- MAX INPUT SIGNAL
 all voltage are measured with Vacuum Tube Volt Meter