

AM/FM STEREO RECEIVER SX-990

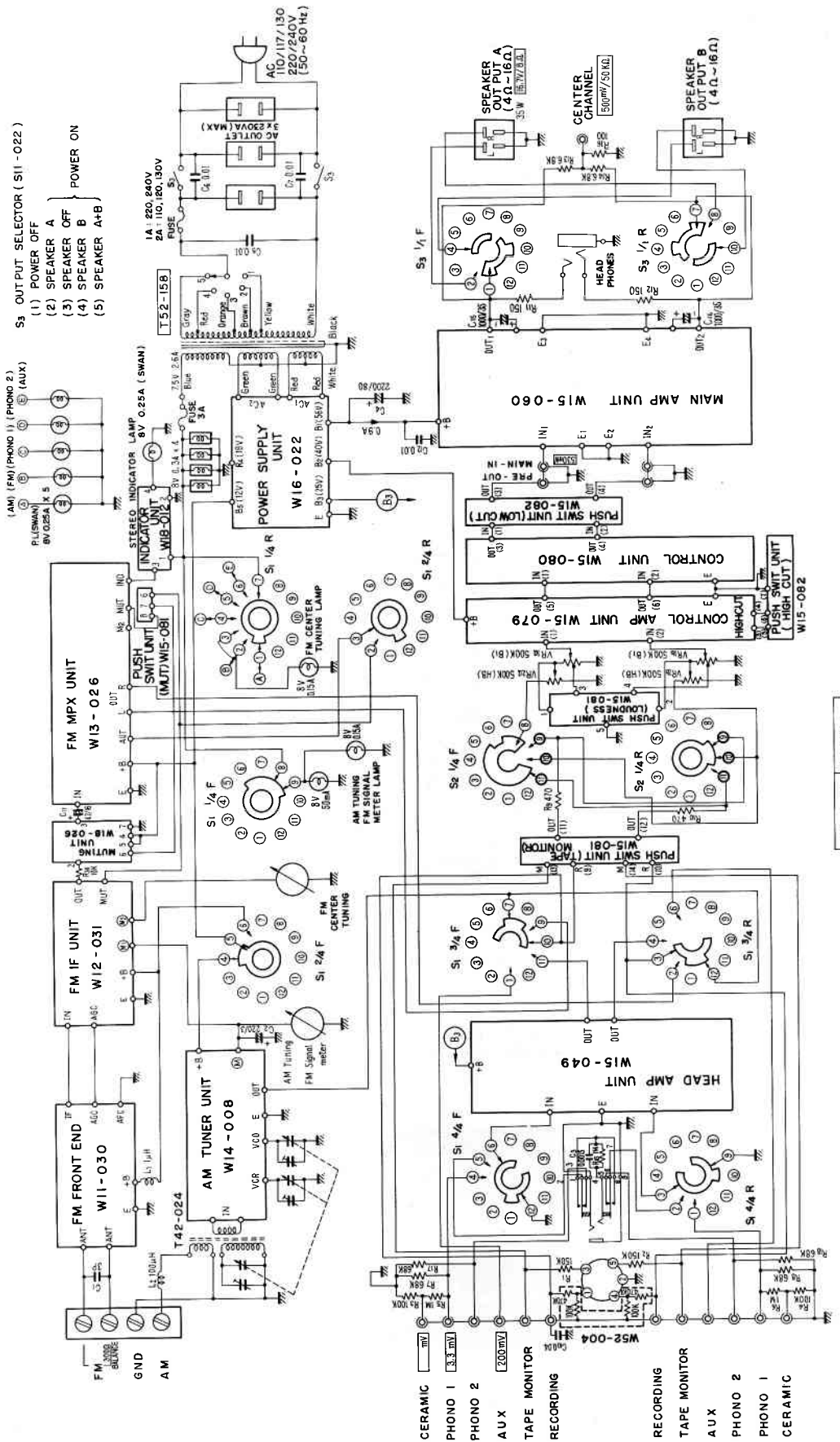
ROUND LABEL UNIT	FSAW	FVW	FVZW	KCW	KUW	NBW
TUNER UNIT						
FM FRONT END	W11-030	W11-028	AWB-001	W11-028	W11-028	W11-028
FM IF UNIT	W12-031	W12-032	W12-032	W12-032	W12-032	W12-032
MPX UNIT	W13-026	W13-026	W13-026	W13-026	W13-026	W13-026
AM TUNER UNIT	W14-008	W14-008	W14-008	W14-008	W14-008	W14-015
MUTING UNIT	W18-026	W18-026	W18-026	W18-026	W18-026	W18-026
HEAD AMP UNIT	W15-049	W15-049	W15-049	W15-049	W15-049	W15-049
CONTROL AMP UNIT	W15-079	W15-079	W15-079	W15-079	W15-079	W15-079
MAIN AMP UNIT	W15-060	W15-060	W15-060	W15-060	W15-060	W23-006
POWER SUPPLY UNIT	W16-022	W16-022	W16-022	W16-022	W16-022	W16-065
SWITCH UNIT	W15-081	W15-081	W15-081	W15-081	W15-081	W15-081
SWITCH UNIT	W15-082	W15-082	W15-082	W15-082	W15-082	W15-082
SWITCH UNIT						
TONE COLOR UNIT						
CONTROL UNIT	W15-080	W15-080	W15-080	W15-080	W15-080	W15-080
MIC AMP UNIT						
REVERBE AMP UNIT						
REVERBE UNIT						
INDICATOR UNIT	W18-012	W18-012	W18-012	W18-012	W18-012	W18-012



SX - 990

- S₁ INPUT SELECTOR (S13-029)**
 (1) AM (4) PHONO 1 (CERAMIC)
 (2) FM (5) PHONO 2 (MIC)
 (3) FM AUTO (6) AUX
- (AM) (FM) (PHONO 1) (PHONO 2)
 (1) (2) (3) (4) (5) (6) (AUX)

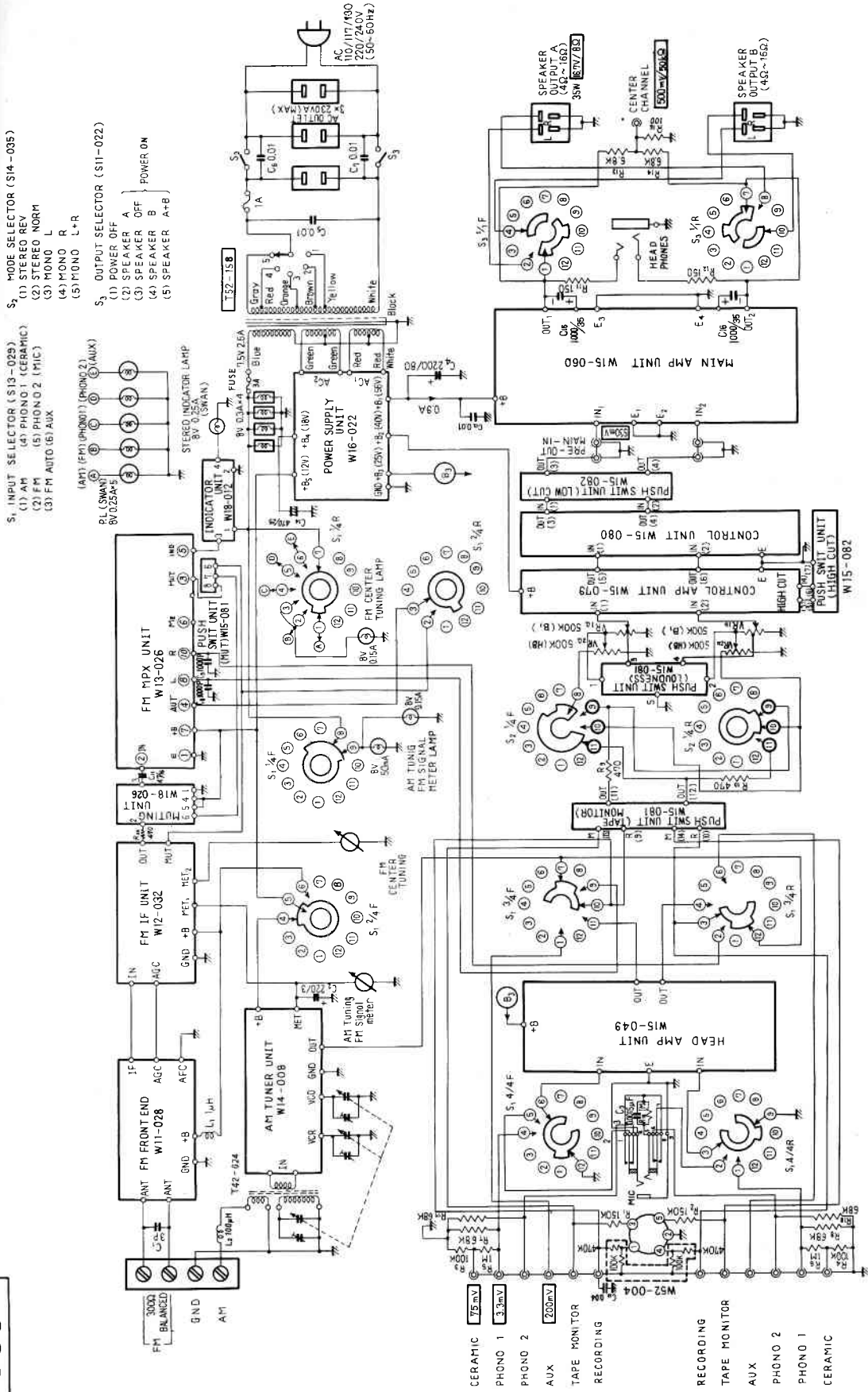
- S₂ MODE SELECTOR (S14-035)**
 (1) STEREO REV
 (2) STEREO NORM
 (3) MONO L
 (4) MONO R
 (5) MONO L+R
- S₃ OUTPUT SELECTOR (S11-022)**
 (1) POWER OFF
 (2) SPEAKER A
 (3) SPEAKER OFF
 (4) SPEAKER B
 (5) SPEAKER A+B
- POWER ON



ITEM NO.	VACANT
R ₁ ~ R ₂₄	C ₁ ~ C ₉

SX-990 for FVW model

SX-990



- S₁ MODE SELECTOR (S14-035)**
- (1) STEREO REV
 - (2) STEREO NORM
 - (3) MONO L
 - (4) MONO R
 - (5) MONO L+R
- S₂ OUTPUT SELECTOR (S11-022)**
- (1) POWER OFF
 - (2) SPEAKER A
 - (3) SPEAKER OFF
 - (4) SPEAKER B
 - (5) SPEAKER A+B
- POWER ON

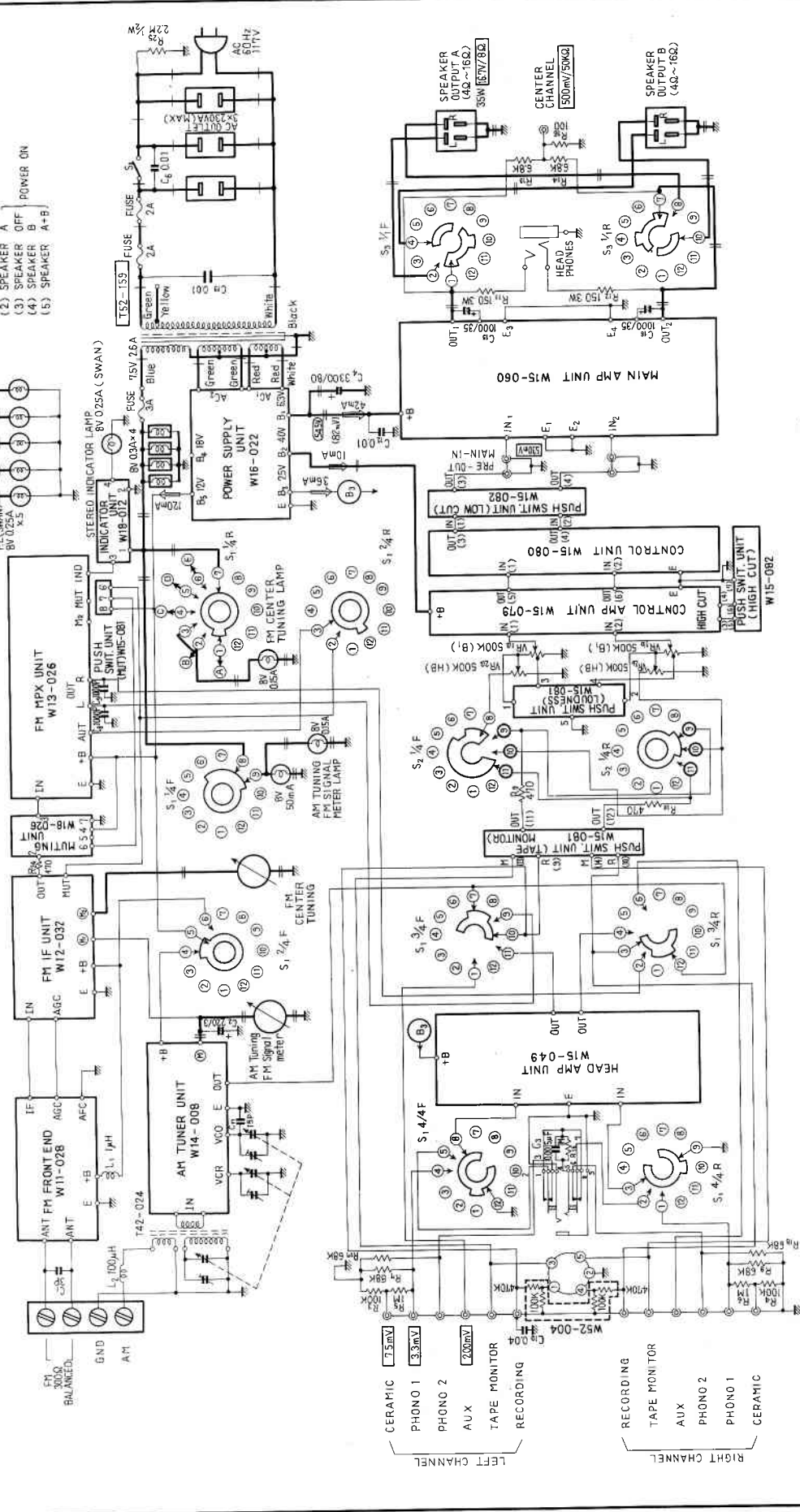
- S₃ INPUT SELECTOR (S13-029)**
- (1) AM
 - (2) FM
 - (3) FM AUTO (6) AUX
 - (4) PHONO 1 (CERAMIC)
 - (5) PHONO 2 (MIC)
- (AMP) (FM) (PHONO 1) (PHONO 2)

ITEM No	VACANT
R ₁ ~ R ₁₀	R ₁₀ ~ R ₂₀
C ₁ ~ C ₁₀	

- CERAMIC
- PHONO 1 75mV
- PHONO 2 3.3mV
- AUX 200mV
- TAPE MONITOR
- RECORDING
- RECORDING
- TAPE MONITOR
- AUX
- PHONO 2
- PHONO 1
- CERAMIC

SX-990

- S₁ INPUT SELECTOR**
 (1) AM (2) FM (3) FM AUTO (4) PHONO 1 (5) PHONO 2 (6) AUX
- S₂ MODE SELECTOR**
 (1) STEREO REV (2) STEREO NORM (3) MONO L (4) MONO R (5) MONO L+R (6) OUTPUT SELECTOR (7) POWER OFF (8) SPEAKER A (9) SPEAKER B (10) POWER ON



SECTION	ITEM NO.	VACANT
1	R	R ₁ ~ R ₂₃
2	C	C ₁ ~ C ₇

CSA APPROVED WIRE
 TR-64
 TR-32

CURRENT AND VOLTAGES
 ← NO INPUT SIGNAL DC CURRENT
 V: NO INPUT SIGNAL DC VOLTAGE
 ⊕: MAX INPUT SIGNAL DC VOLTAGE (ONE CHANNEL)
 ⊖: SIGNAL VOLTAGE AT 36W/8Ω (SPEAKER OUTPUT)
 ALL VOLTAGE MEASURED WITH V.T.V.M.

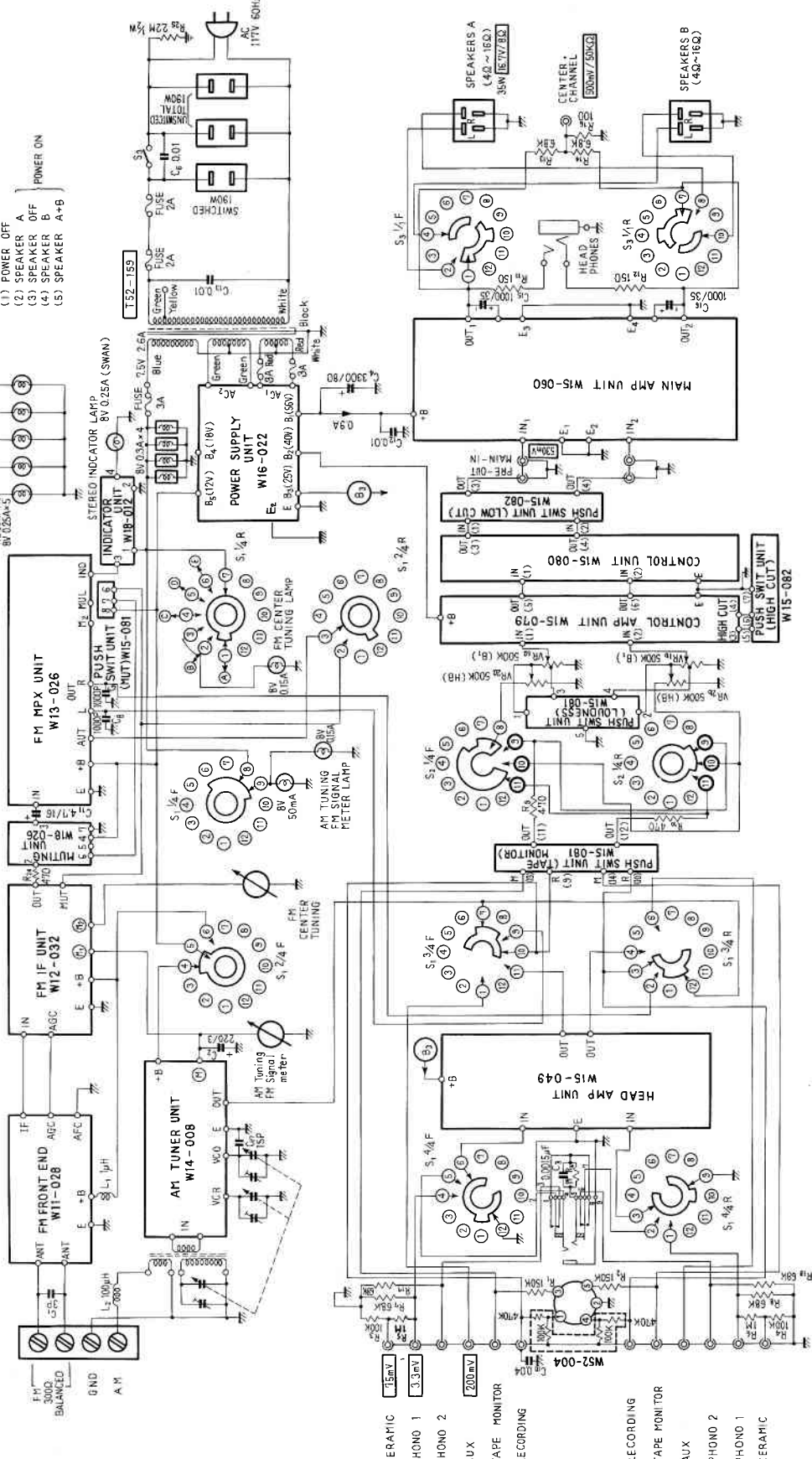
CAPACITORS
 NON MARK: μF
 P: pμF

[NOTE]
 POTENTIOMETERS
 VR: MAIN VOLUME CONTROL (C85-054)
 VR2: BALANCE VOLUME CONTROL (C85-048)
 RESISTORS
 NON MARK: ΩHM K: KILOHM
 M: MEGOHM W: WATT

SX-990 for KUW model

- S₁ INPUT SELECTOR**
 (1) AM (2) FM (3) FM AUTO (4) PHONO 1 (CERAMIC) (5) PHONO 2 (MIC) (6) AUX
- S₂ MODE SELECTOR**
 (1) STEREO REV (2) STEREO NORM (3) MONO L (4) MONO R (5) MONO L+R
- S₃ OUTPUT SELECTOR**
 (1) POWER OFF (2) SPEAKER A (3) SPEAKER OFF (4) SPEAKER B (5) SPEAKER A+B

- S₄ INPUT SELECTOR**
 (1) AM (2) FM (3) FM AUTO (4) PHONO 1 (CERAMIC) (5) PHONO 2 (MIC) (6) AUX

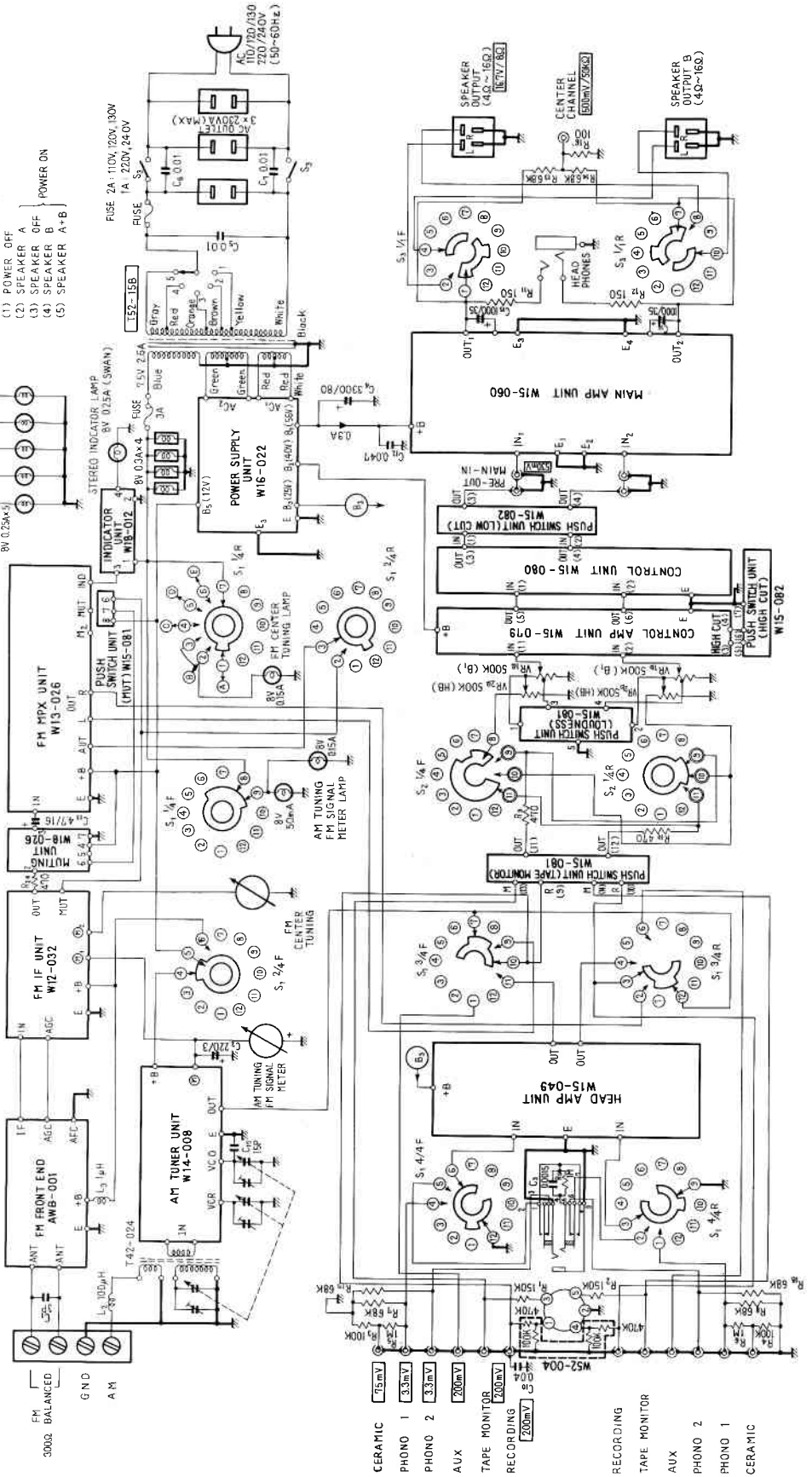


ITEM No	VALANT
R ₁ ~ R ₁₀	R ₁₀ ~ R _{10g}
C ₁ ~ C ₁₀	C ₁ ~ C ₁₀

SX-990

- CERAMIC
- PHONO 1
- PHONO 2
- AUX
- TAPE MONITOR
- RECORDING
- RECORDING
- TAPE MONITOR
- AUX
- PHONO 2
- PHONO 1
- CERAMIC

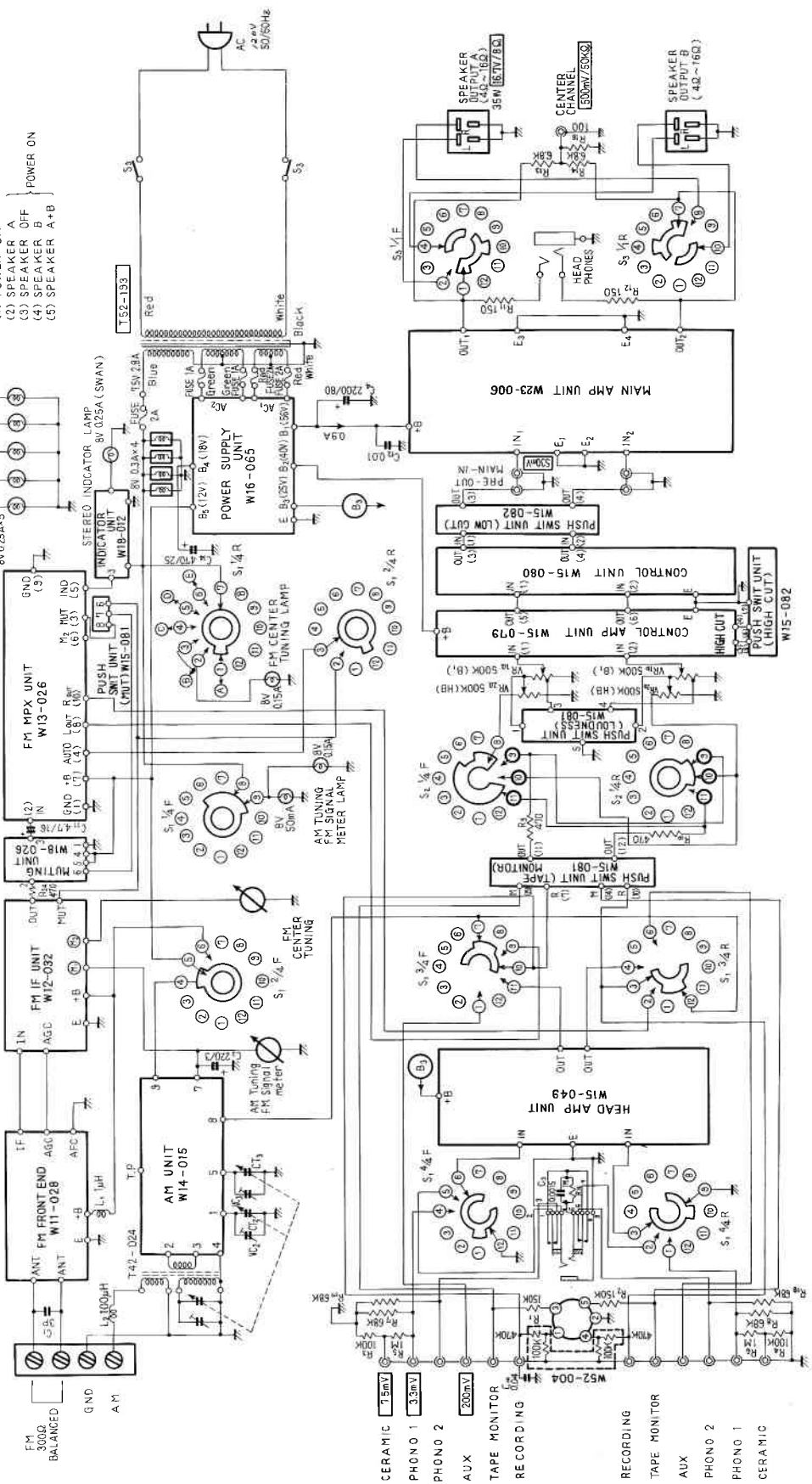
- S₁ INPUT SELECTOR
 (1) AM
 (2) FM
 (3) FM AUTO
 (4) PHONO 1 (CERAMIC)
 (5) PHONO 2 (MIC)
 (6) AUX
- (AM) (FM) (PHONO 1) (PHONO 2) (AUX)
 P.L. (SWAY) 8V (25KΩ)
- S₂ MODE SELECTOR
 (1) STEREO REV
 (2) STEREO NORM
 (3) MONO L
 (4) MONO R
 (5) MONO L+R
- S₃ OUTPUT SELECTOR
 (1) POWER OFF
 (2) SPEAKER A
 (3) SPEAKER B
 (4) SPEAKER A+B
 (5) POWER ON



SX-990 for NBW model

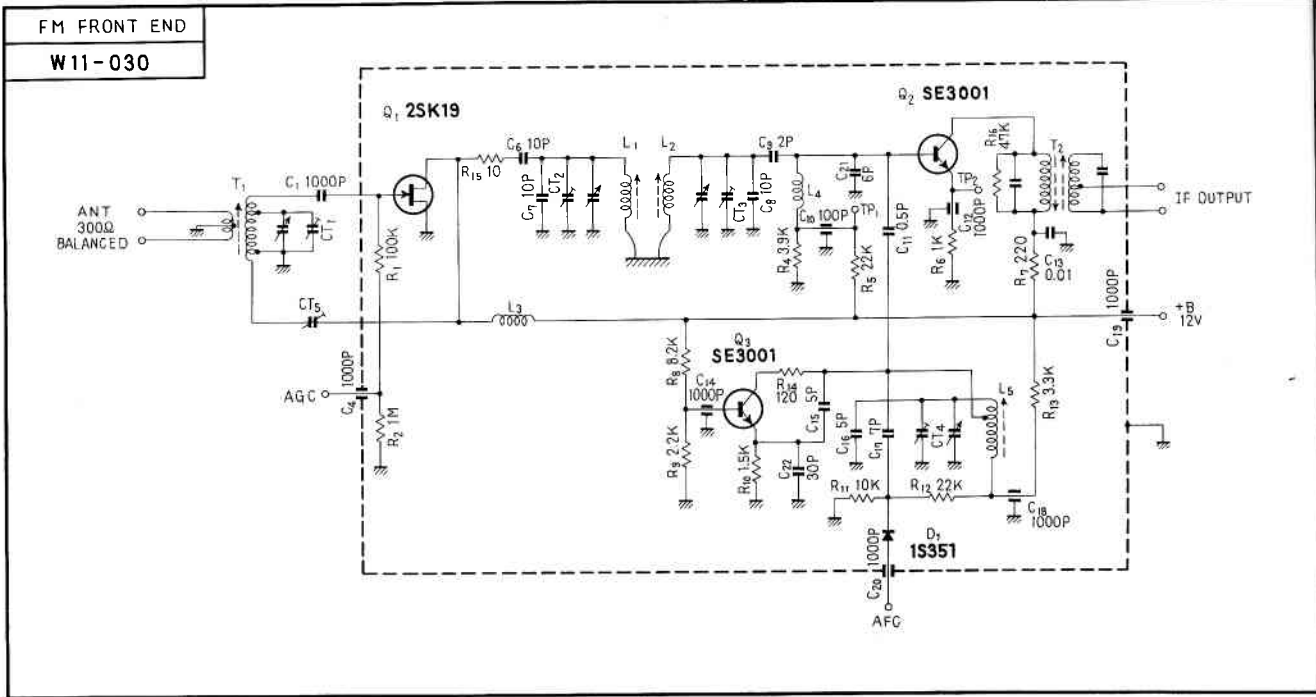
SX-990

- S₁ INPUT SELECTOR (S13-029)
 (1) AM (2) PHONO 1 (CERAMIC)
 (3) FM (4) PHONO 2 (MIC)
 (5) FM AUTO (6) AUX
- (ANY) (FM) (PHONO 1) (PHONO 2)
 (1) (2) (3) (4) (5) (6) (AUX)
- PL (SWAN) 8V0.25A×5
- S₂ MODE SELECTOR (S14-035)
 (1) STEREO REV (2) STEREO NORM
 (3) MONO L (4) MONO R
 (5) MONO L+R
- S₃ OUTPUT SELECTOR (S11-022)
 (1) POWER OFF (2) SPEAKER A
 (3) SPEAKER B (4) SPEAKER OFF
 (5) SPEAKER A+B
- POWER ON

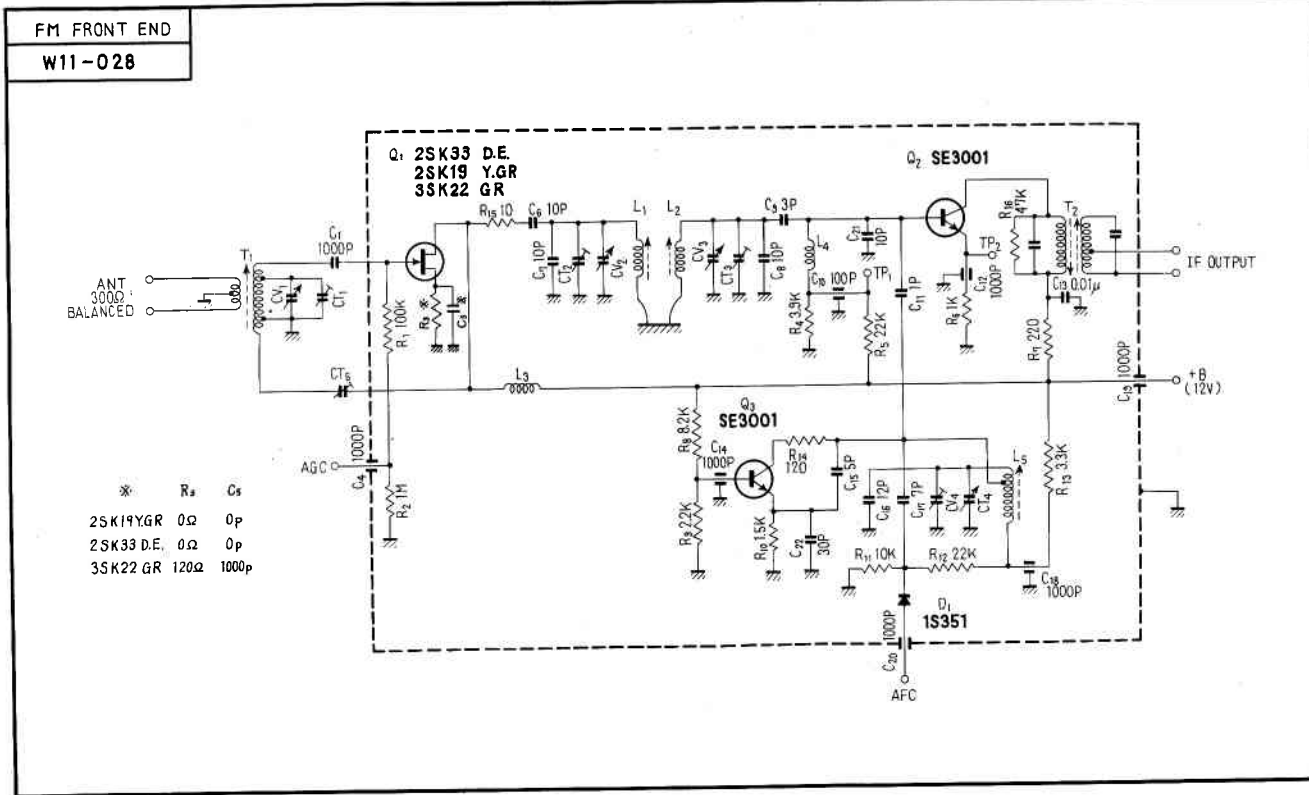


ITEM NO.	VACANT
R ₁ - R ₂₄	R ₂₅ - R ₃₃
C ₁ - C ₁₄	C ₁₅ - C ₁₉ , C ₂₀

FM FRONT END for FSAW model



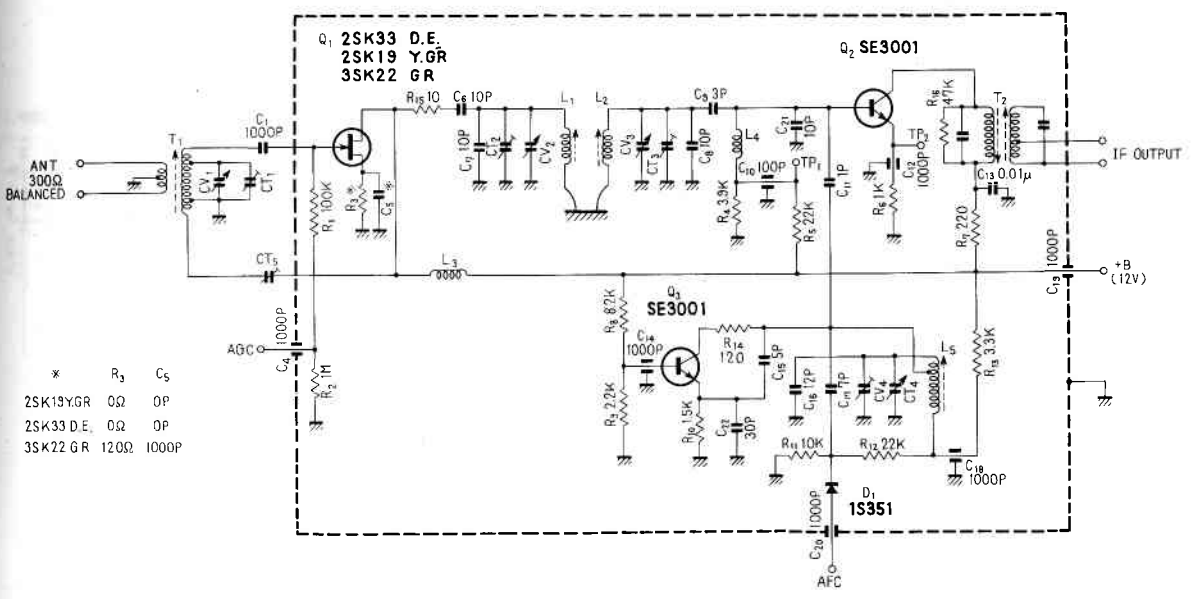
FM FRONT END for FVW, KCW, KUW, NBW model



※	R _s	C _s
2SK19YGR	0Ω	0P
2SK33 D.E.	0Ω	0P
3SK22 GR	120Ω	1000P

FM FRONT END for FVZW model

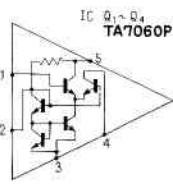
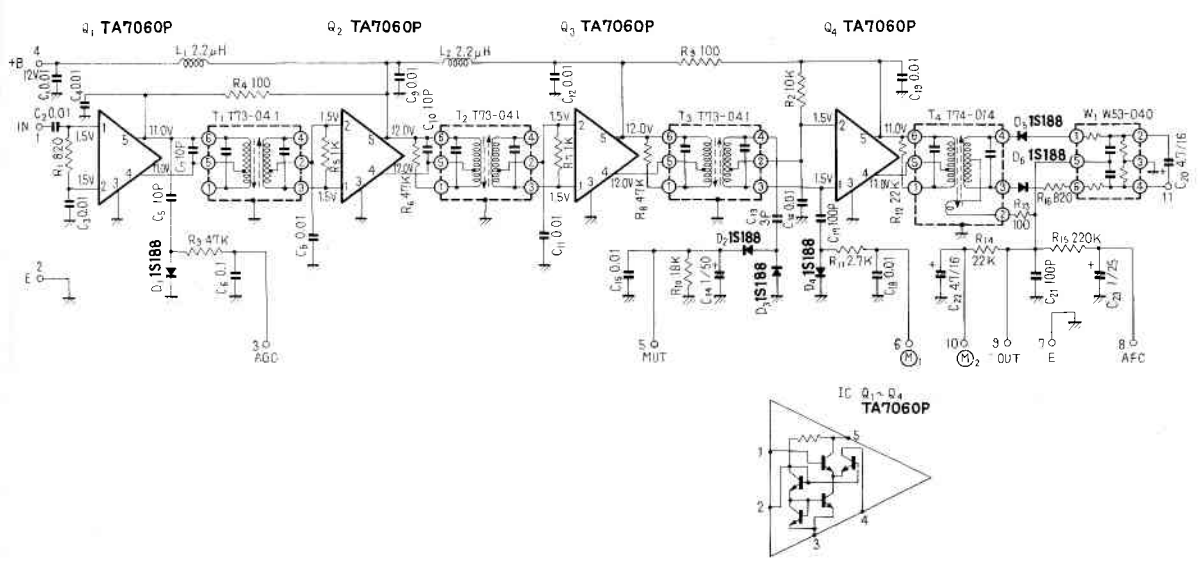
FM FRONT END
AWB-001



* R₃ C₅
2SK19YGR 0Ω 0P
2SK33 D.E. 0Ω 0P
3SK22 GR 120Ω 1000P

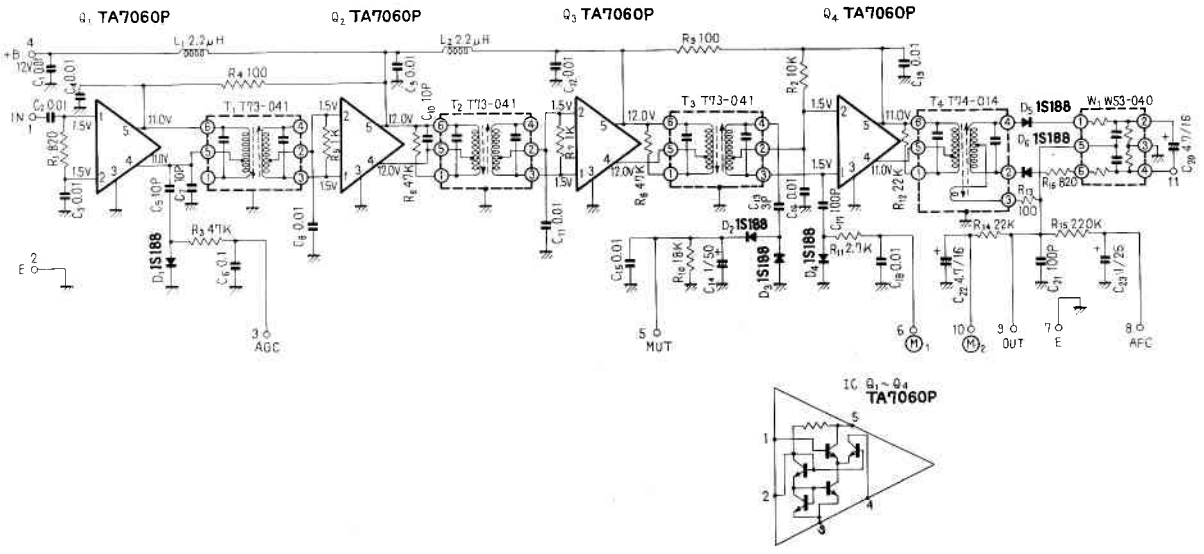
FM IF UNIT

FM IF UNIT
W12-031



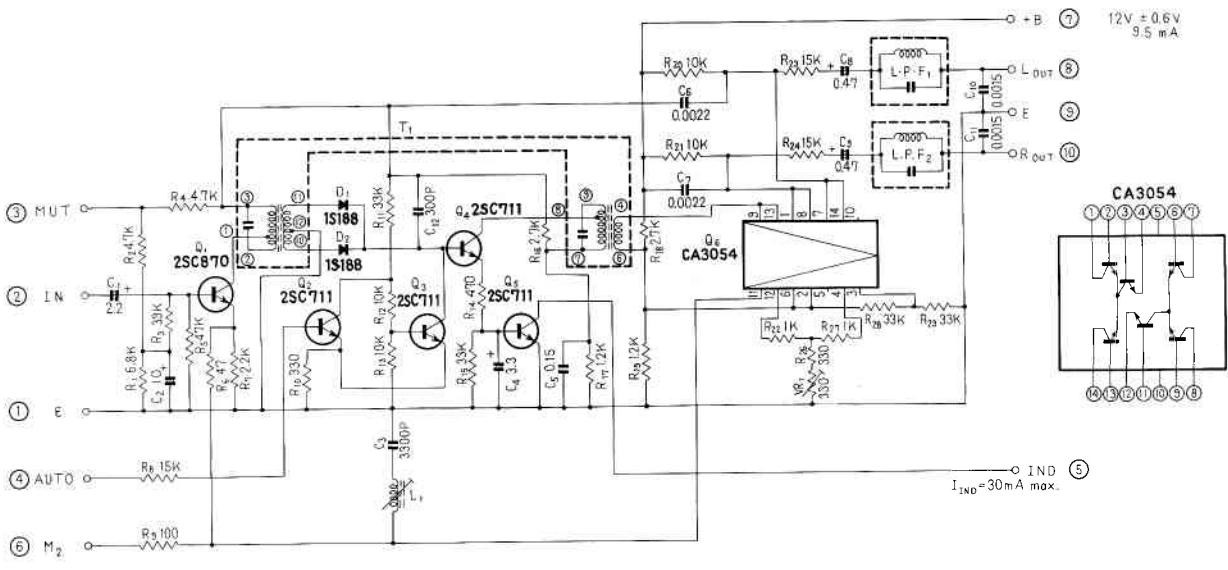
FM IF UNIT for FVW, FVZW, KCW, KUW, NBW model

FM IF UNIT
W12-032



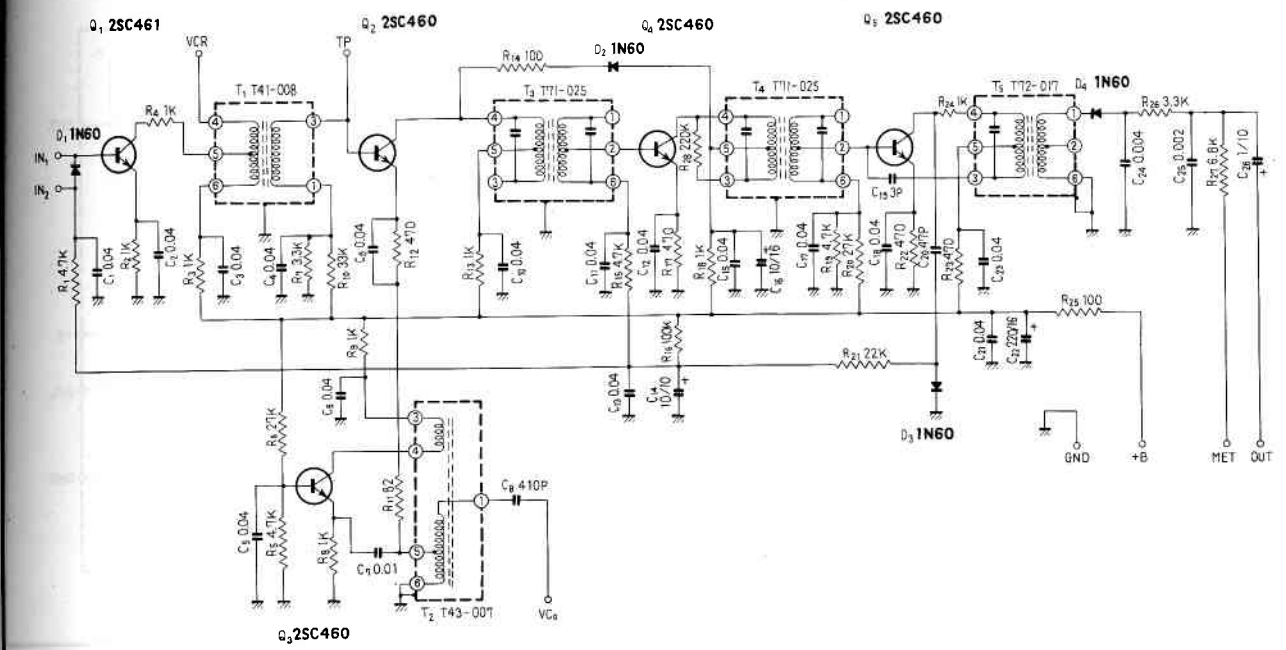
MPX UNIT

MPX UNIT
W13-026



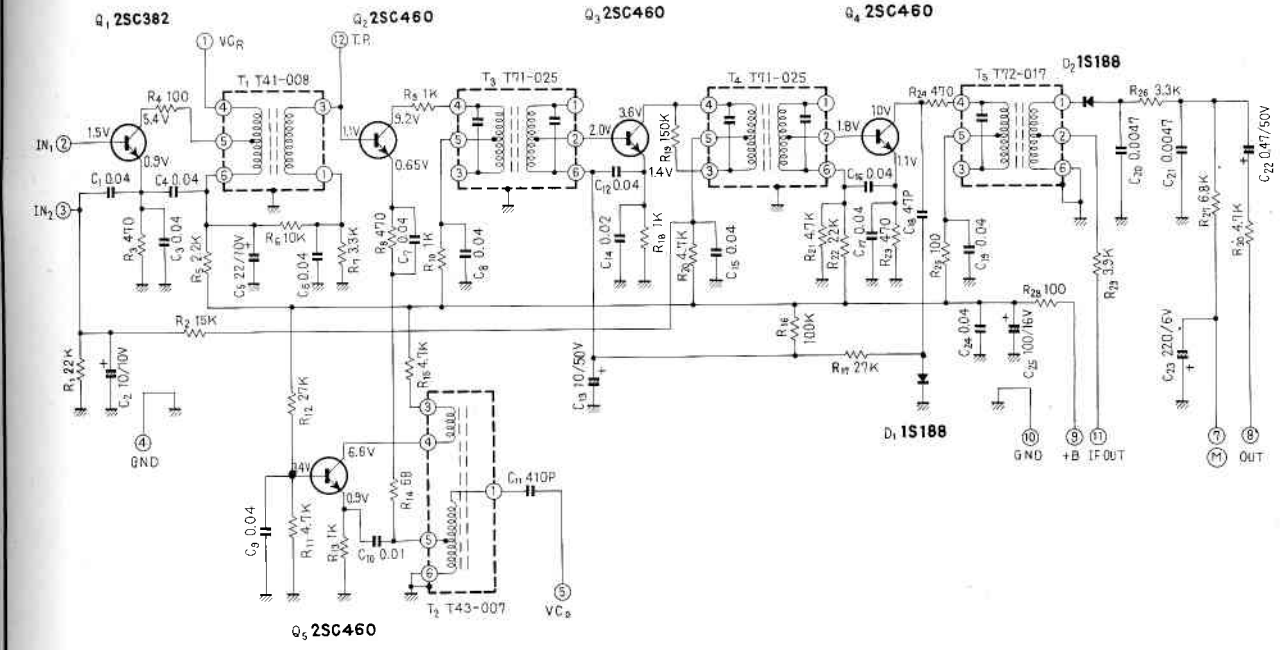
AM TUNER UNIT

AM TUNER UNIT
W14 - 008

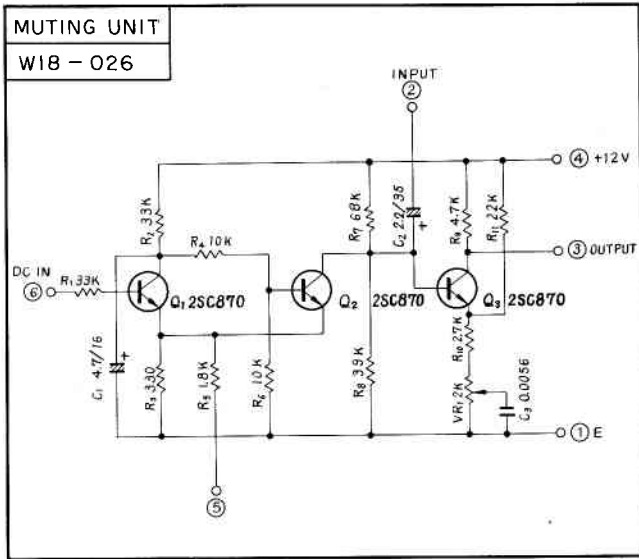


AM TUNER UNIT for NBW model

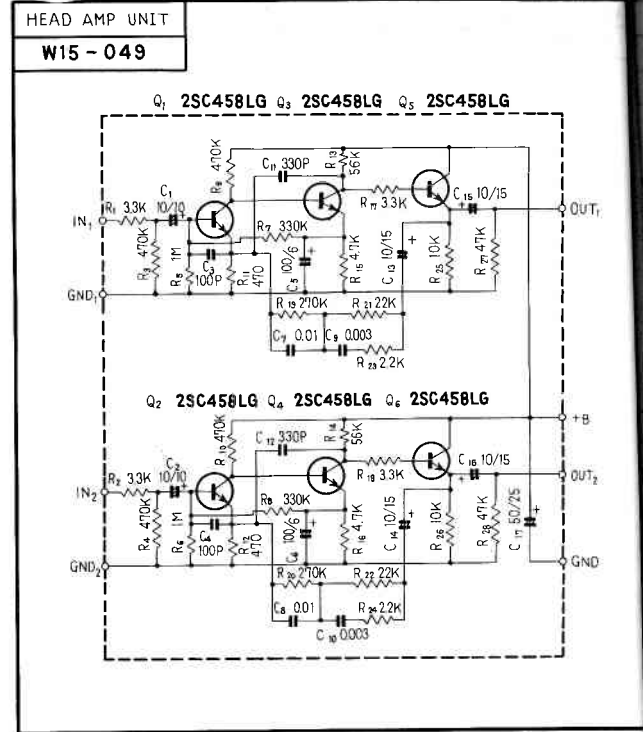
AM TUNER UNIT
W14 - 015



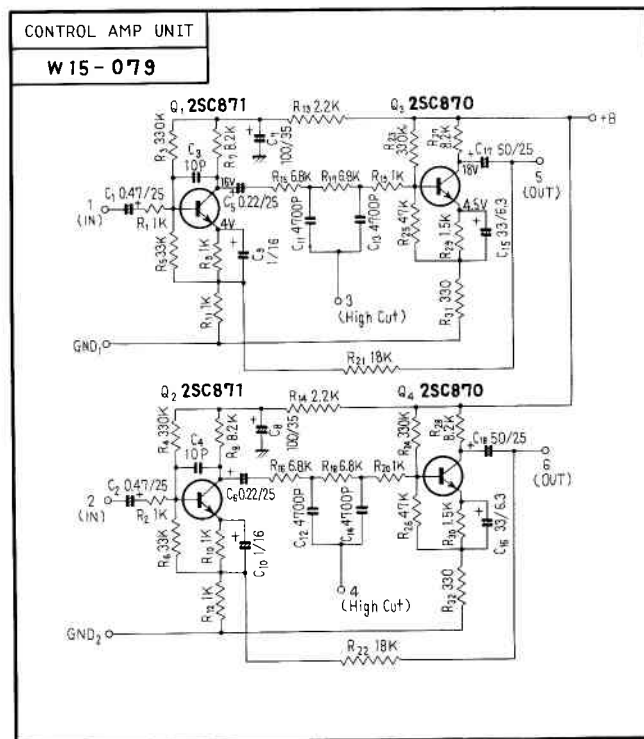
MUTING UNIT



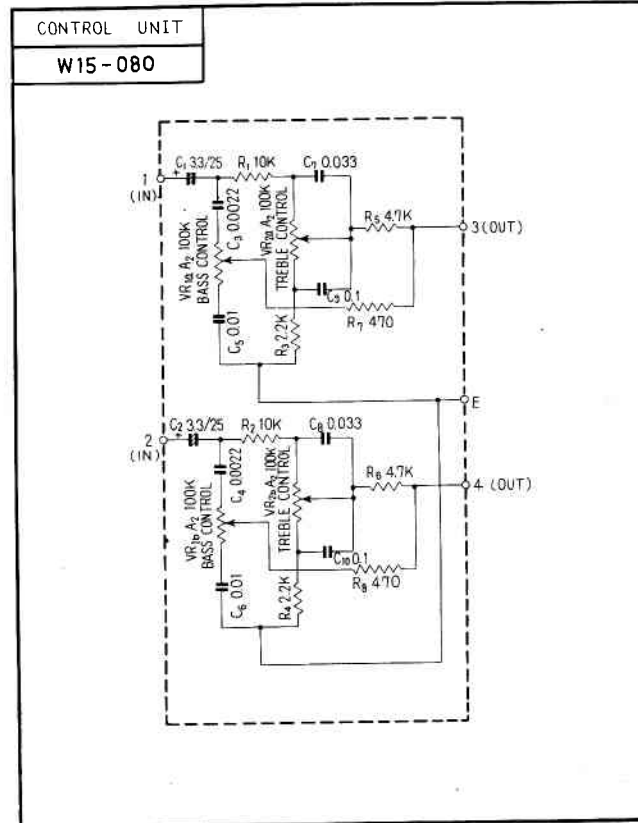
HEAD AMP UNIT



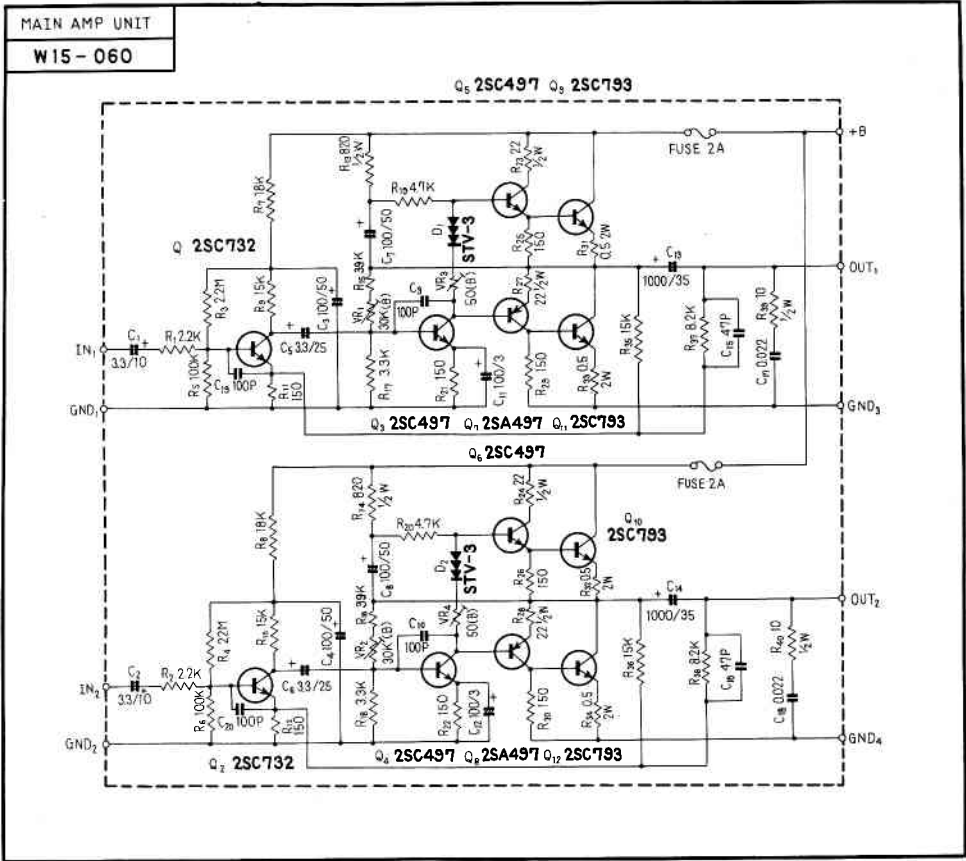
CONTROL AMP UNIT



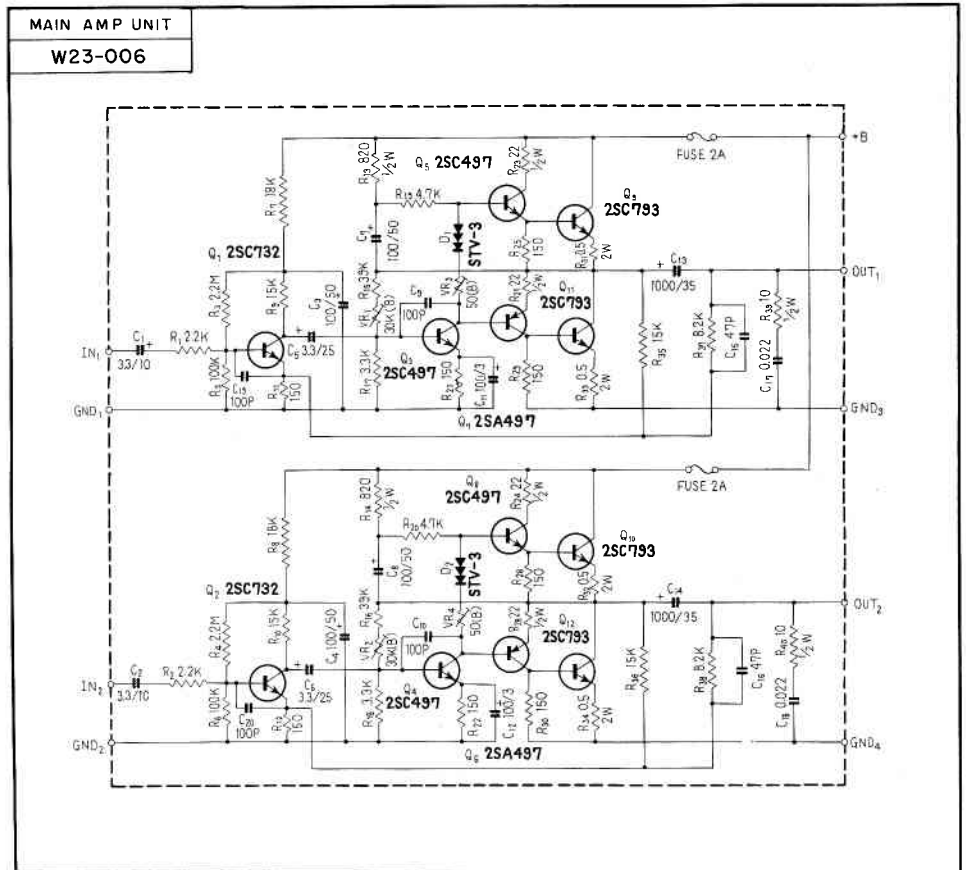
CONTROL UNIT



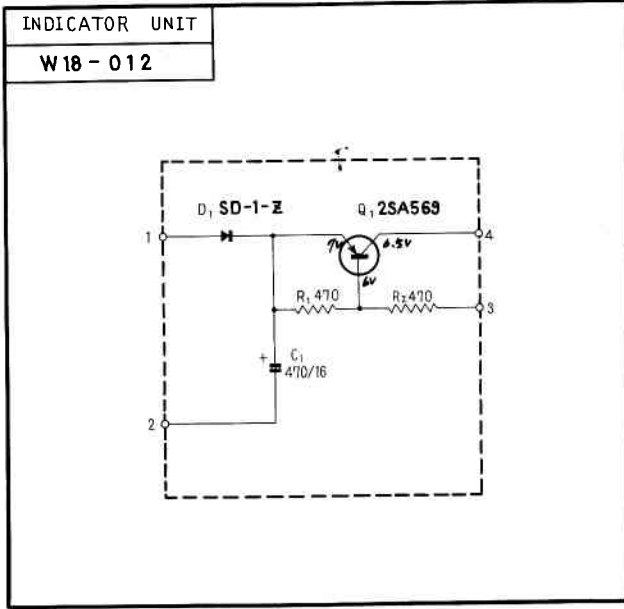
MAIN AMP UNIT



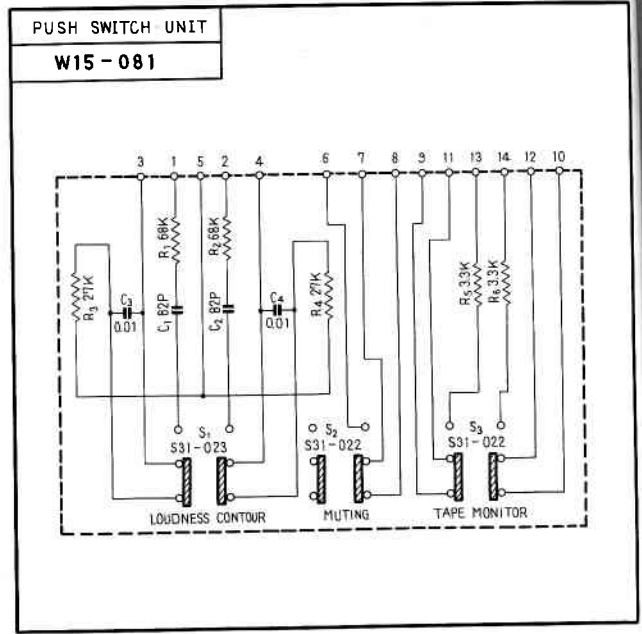
MAIN AMP UNIT for NBW model



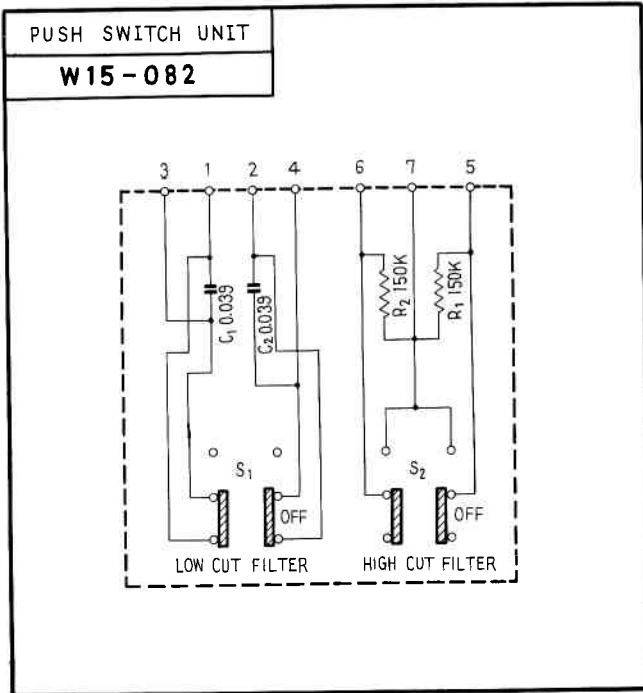
INDICATOR UNIT



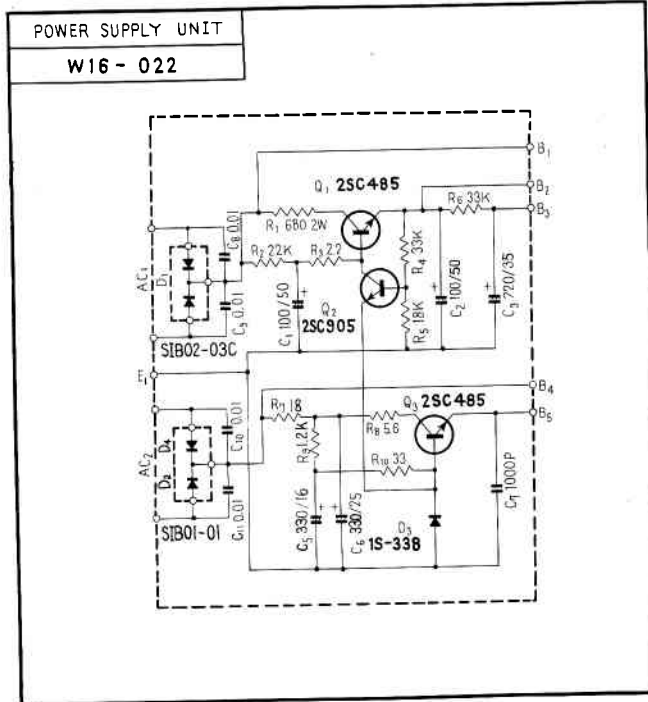
PUSH SWITCH UNIT



PUSH SWITCH UNIT



POWER SUPPLY UNIT



POWER SUPPLY UNIT for NBW model

POWER SUPPLY UNIT

W16 - 065

