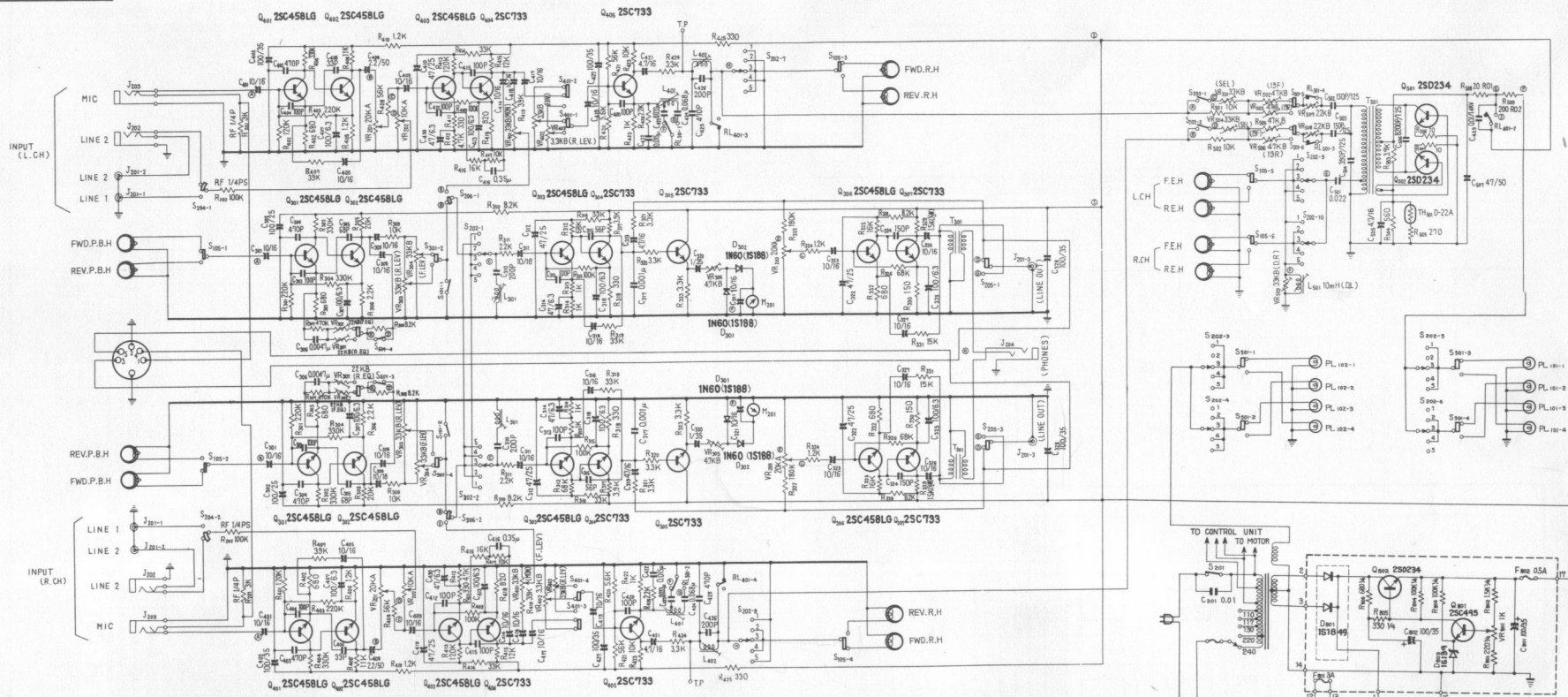


1. A 0.01 CAPACITOR IS OF A 1.4KV (WORK VOLTAGE) TYPE.
2. "A" AND "B" FOR CONNECTOR INDICATE PLUG AND SOCKET RESPECTIVELY.
3. DIODE IS V06C UNLESS OTHERWISE SPECIFIED.
4. THE ABBREVIATIONS STAND FOR THE COLORS OF LEAD WIRES.

VIO : VIOLET	GRE : GREEN	BLU : BLUE
WHI : WHITE	BRO : BROWN	L.BLU : LIGHT BLUE
BLA : BLACK	YEL : YELLOW	
GRA : GRAY	ORA : ORANGE	



- | | |
|--|---|
| 1) S ₂₀₀₋₁ ~ S ₂₀₀₋₂ : INPUT SELECTOR SW. | 8) S ₂₀₀₋₁ ~ S ₂₀₀₋₂ : MUTING SW. (ON POSITION) |
| 2) S ₂₀₀₋₁ ~ S ₂₀₀₋₂ : HEAD SELECTOR SW. (FWD ~ REV) | 9) S ₂₀₀₋₁ ~ S ₂₀₀₋₂ : LINE OUT SW. (DIRECT POSITION) |
| 3) S ₂₀₀₋₁ ~ S ₂₀₀₋₄ : FWD-REV SELECTOR SW. (FWD POSITION) | 10) S ₂₀₀₋₁ ~ S ₂₀₀₋₂ : MONITOR SW. (TAPE POSITION) |
| 4) S ₂₀₀₋₁ ~ S ₂₀₀₋₄ : FWD-REV SELECTOR SW. (REV POSITION) | 11) S ₂₀₀₋₁ ~ S ₂₀₀₋₂ : BIAS SELECTOR SW. (A POSITION) |
| 5) S ₂₀₀₋₄ ~ S ₂₀₀₋₅ : PLAYBACK EQUALIZER SW. (7 1/2 IPS POSITION) | 12) S ₂₀₀ : POWER SW. (OFF POSITION) |
| 6) RL ₄₀₀₋₁ ~ RL ₄₀₀₋₂ : RECORDING EQUALIZER SW. (7 1/2 IPS POSITION) | 13) S ₂₀₀₋₁ ~ S ₂₀₀₋₄ : FWD-REV SELECTOR SW. (FWD POSITION) |
| 7) RL ₄₀₀₋₁ ~ RL ₄₀₀₋₂ : REC-PLAYBACK SELECTOR SW. (PLAYBACK POSITION) | 14) S ₂₀₀₋₁ ~ S ₂₀₀₋₂ : MODE SW. (STEREO POSITION) |

- 15) RESISTORS NONMARK : OHM , K : KILOGH
 16) CAPACITORS NONMARK : μF , P : p.p.F