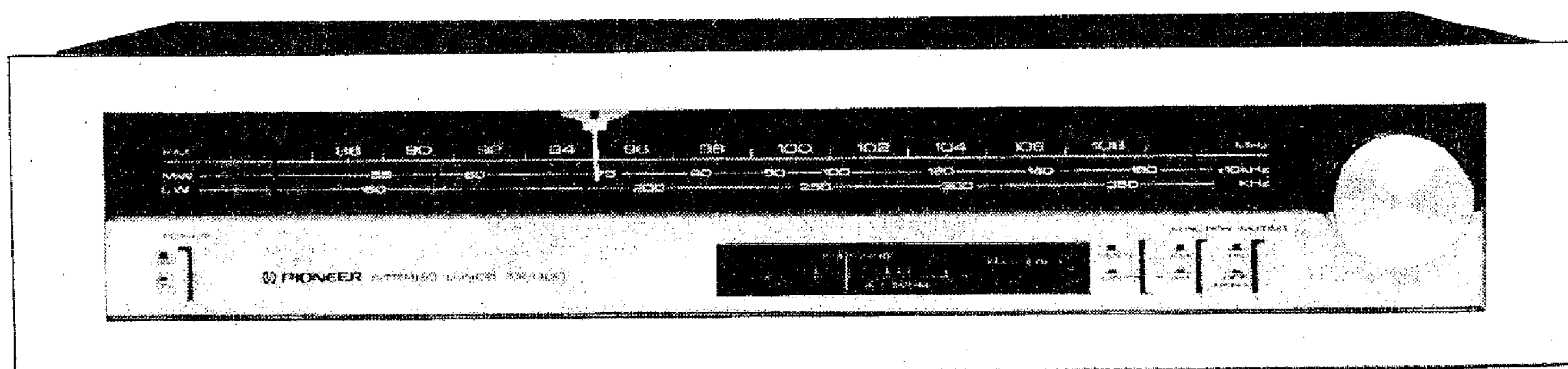


LW/MW/FM STEREO TUNER


TX-408L

SERVICE MANUAL

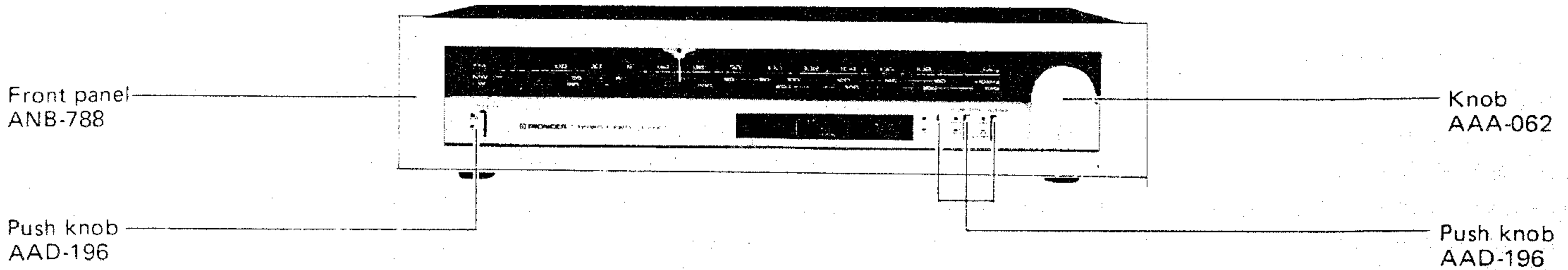


 PIONEER®

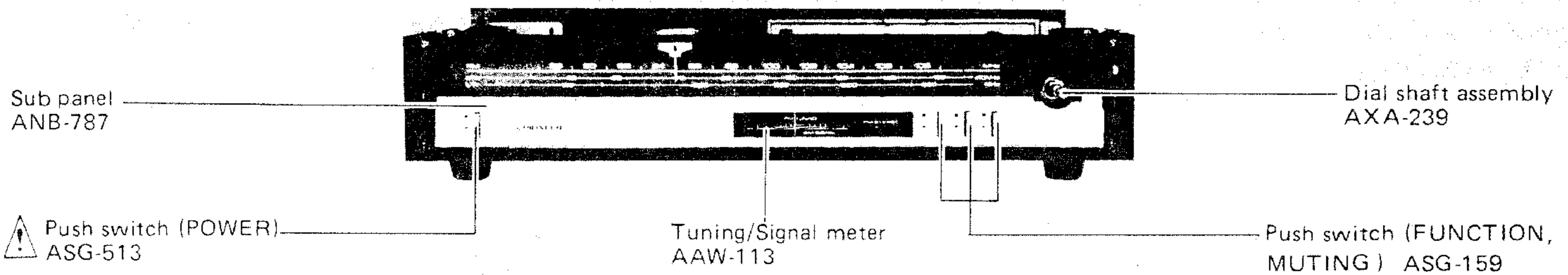
PARTS LOCATION

- The  mark found on some component parts indicates the importance of the safety factor of the part. Therefore, when replacing, be sure to use parts of identical designation.

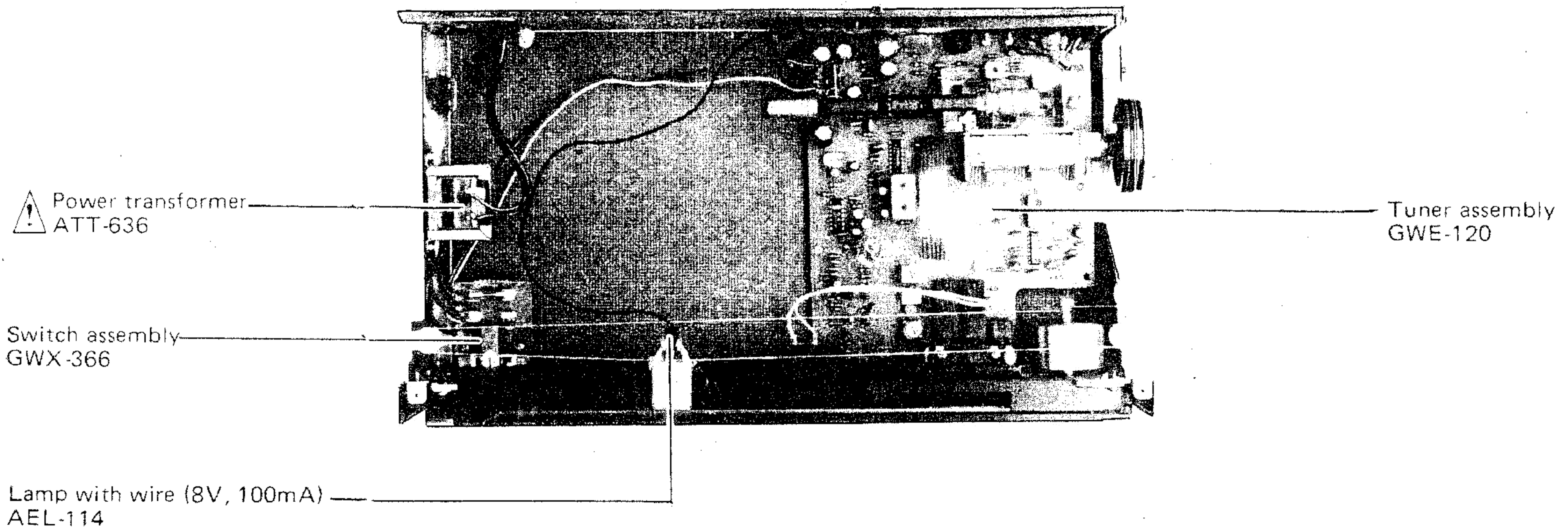
Front Panel View



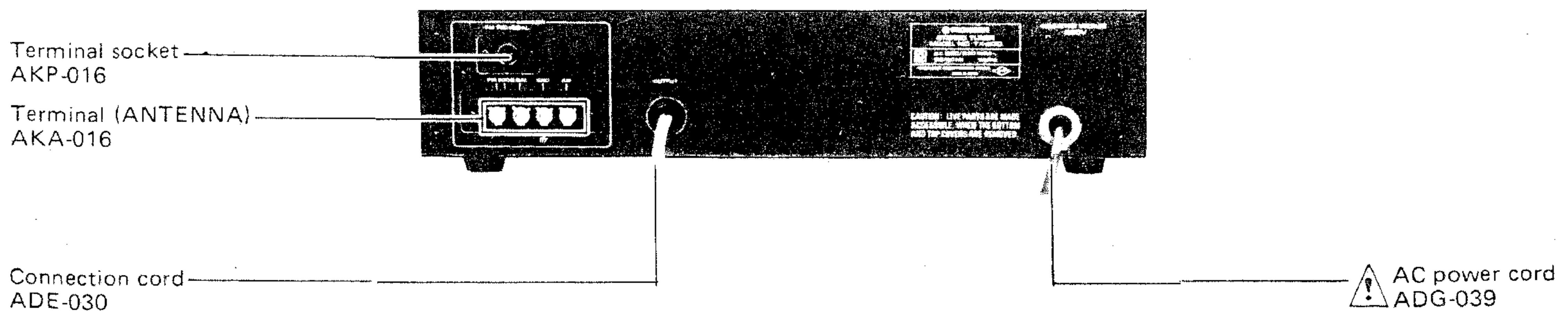
Front View with Panel Removed



Top View



Rear Panel View



DISASSEMBLY

Bonnet Case

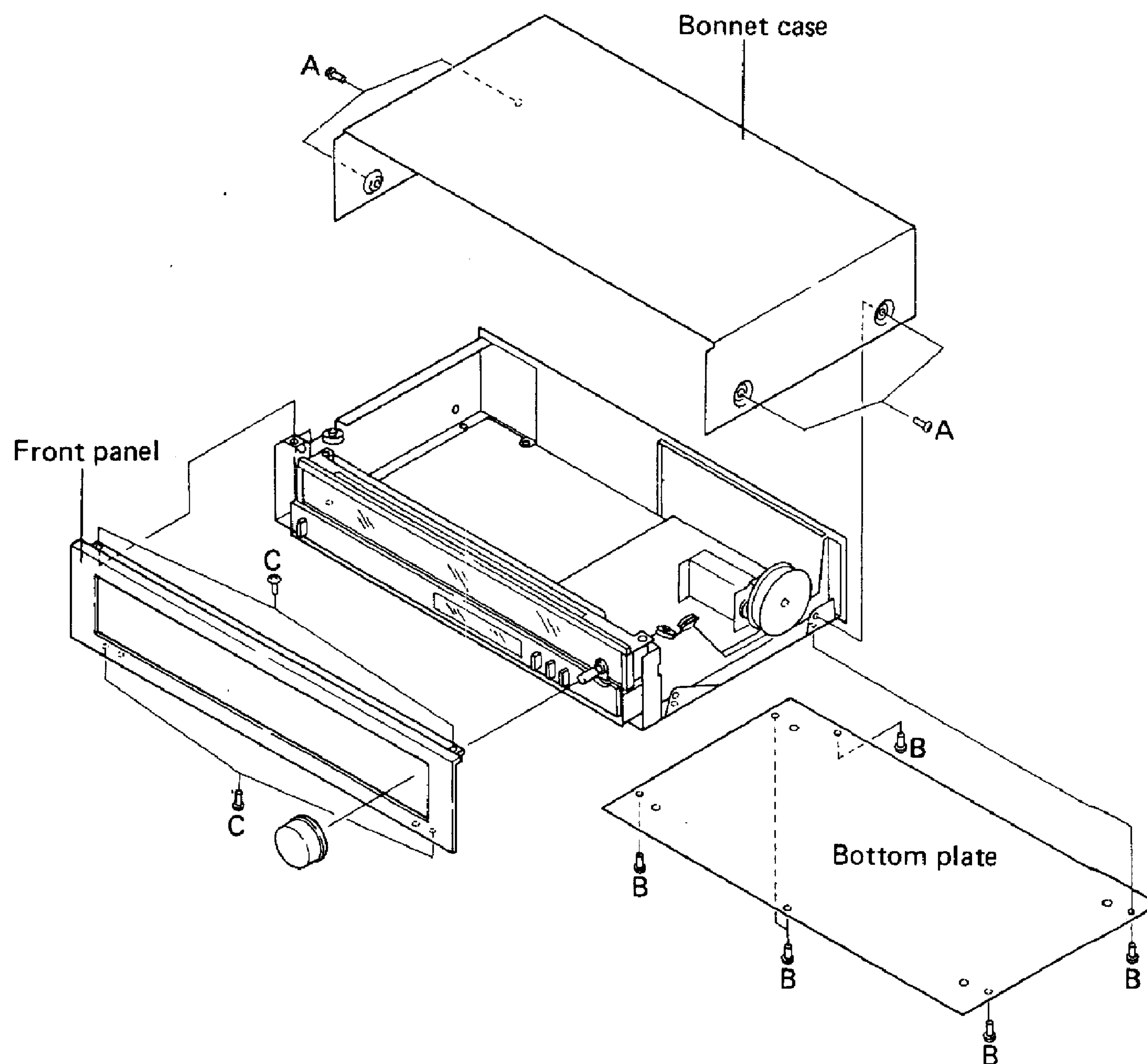
Remove the four screws (A).

Bottom Plate

Remove the six screws (B).

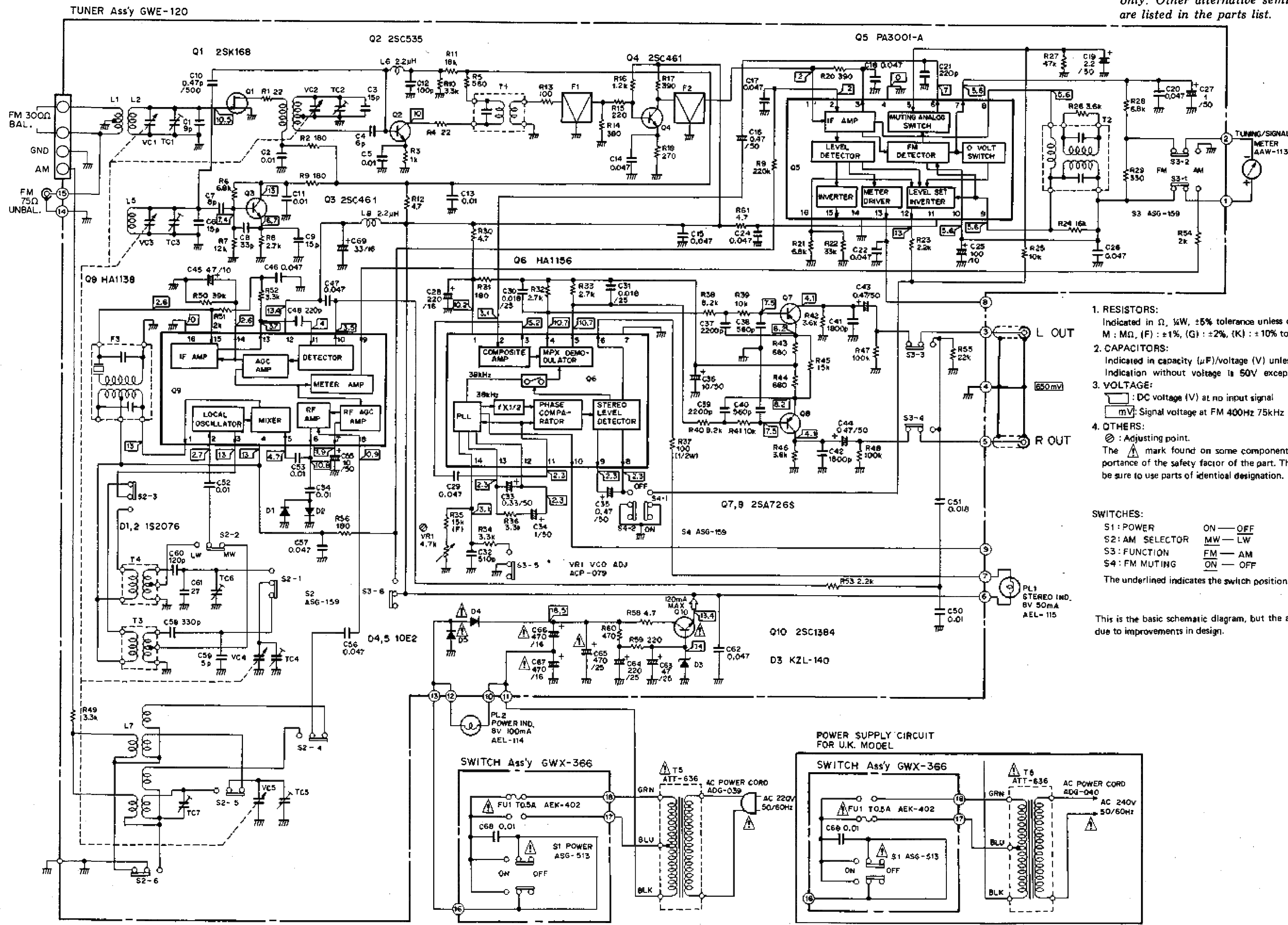
Front Panel

Pull off the tuning knob, and remove the four screws (C).



SCHEMATIC DIAGRAM

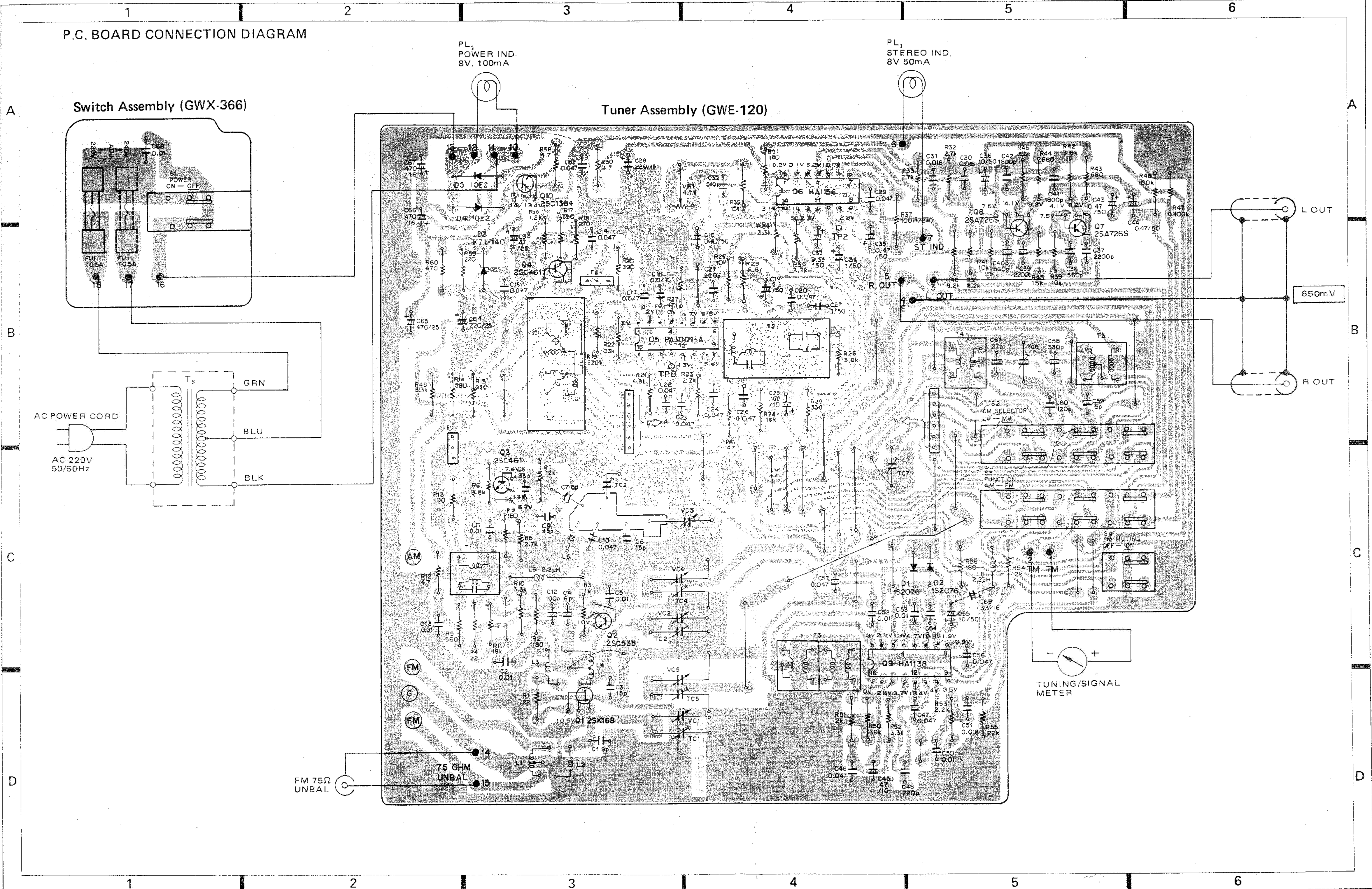
NOTE:
The indicated semiconductors are representative ones only. Other alternative semiconductors may be used and are listed in the parts list.



- RESISTORS:**
Indicated in Ω, ¼W, ±5% tolerance unless otherwise noted k : kΩ, M : MΩ, (F) : ±1%, (G) : ±2%, (K) : ±10% tolerance
 - CAPACITORS:**
Indicated in capacity (μF)/voltage (V) unless otherwise noted p : pF
Indication without voltage is 50V except electrolytic capacitor.
 - VOLTAGE:**
□ : DC voltage (V) at no input signal
mV : Signal voltage at FM 400Hz 75kHz DEV.
 - OTHERS:**
⊗ : Adjusting point.
The Δ mark found on some component parts indicates the importance of the safety factor of the part. Therefore, when replacing, be sure to use parts of identical designation.
- SWITCHES:**
- | | |
|-----------------|----------|
| S1: POWER | ON — OFF |
| S2: AM SELECTOR | MW — LW |
| S3: FUNCTION | FM — AM |
| S4: FM MUTING | ON — OFF |
- The underlined indicates the switch position.

This is the basic schematic diagram, but the actual circuit may vary due to improvements in design.

P.C. BOARD CONNECTION DIAGRAM



Switch Assembly (GWX-366)

Tuner Assembly (GWE-120)

AC POWER CORD

AC 220V
50/60Hz

FM 75Ω
UNBAL

PL₁
POWER IND.
8V, 100mA

PL₁
STEREO IND.
8V 50mA

L OUT

650mV

R OUT

TUNING/SIGNAL
METER