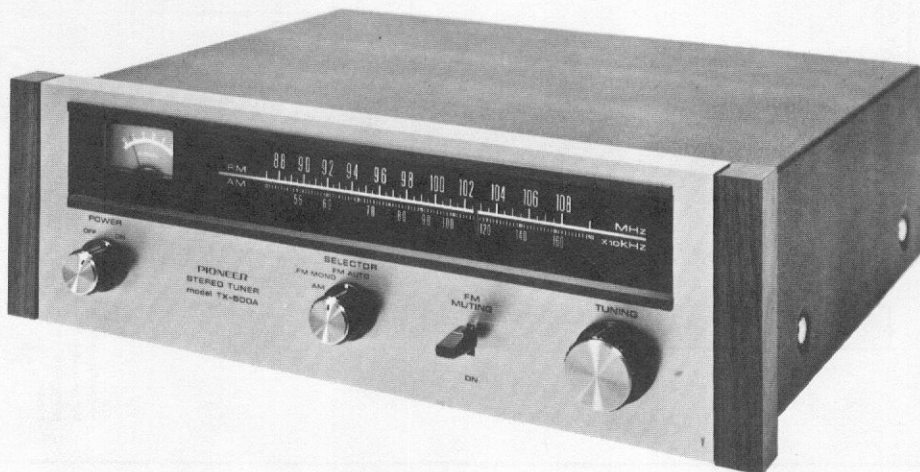
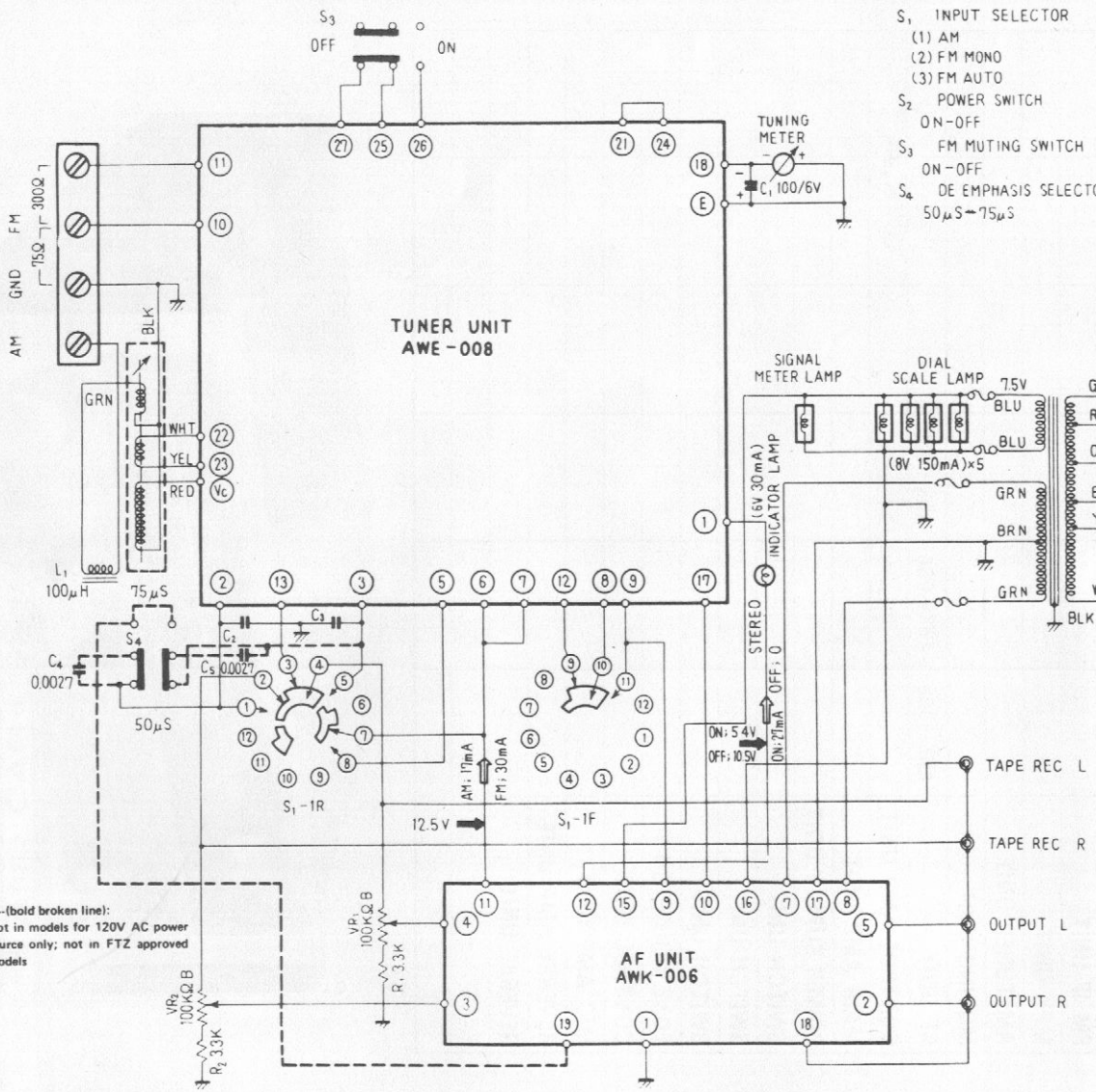


AM/FM STEREO TUNER TX-500A

UNIT \ ROUND LABEL	F	FVZ	K			
TUNER UNIT	AWE-008	AWE-008	AWE-008			
FM FRONT END						
FM IF UNIT						
MPX UNIT						
AM TUNER UNIT						
MUTING UNIT						
AF UNIT	AWK-006	AWK-006	AWK-006			
CONTROL AMP UNIT						
MAIN AMP UNIT						
POWER SUPPLY UNIT						
SWITCH UNIT						
SWITCH UNIT						
SWITCH UNIT						
TONE COLOR UNIT						
CONTROL UNIT						
MIC AMP UNIT						
REVERBE AMP UNIT						
REVERBE UNIT						



TX-500A

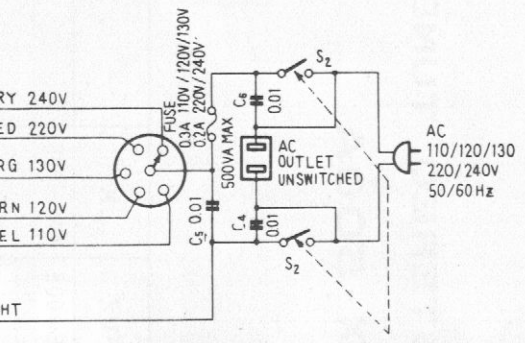


- S_1 INPUT SELECTOR
 - (1) AM
 - (2) FM MONO
 - (3) FM AUTO
- S_2 POWER SWITCH
 - ON-OFF
- S_3 FM MUTING SWITCH
 - ON-OFF
- S_4 DE EMPHASIS SELECTOR
 - 50 μ S-75 μ S

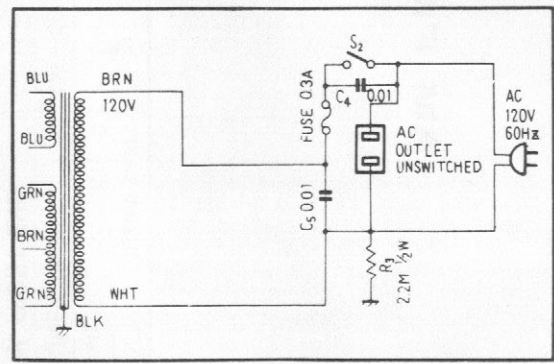
- VR_1 OUTPUT LEVEL CONTROL
 - L. CHANNEL
- VR_2 OUTPUT LEVEL CONTROL
 - R. CHANNEL

CAPACITORS
NON MARK : μ F

RESISTORS
NON MARK : OHM
K : KILOHM
M : MEGOHM

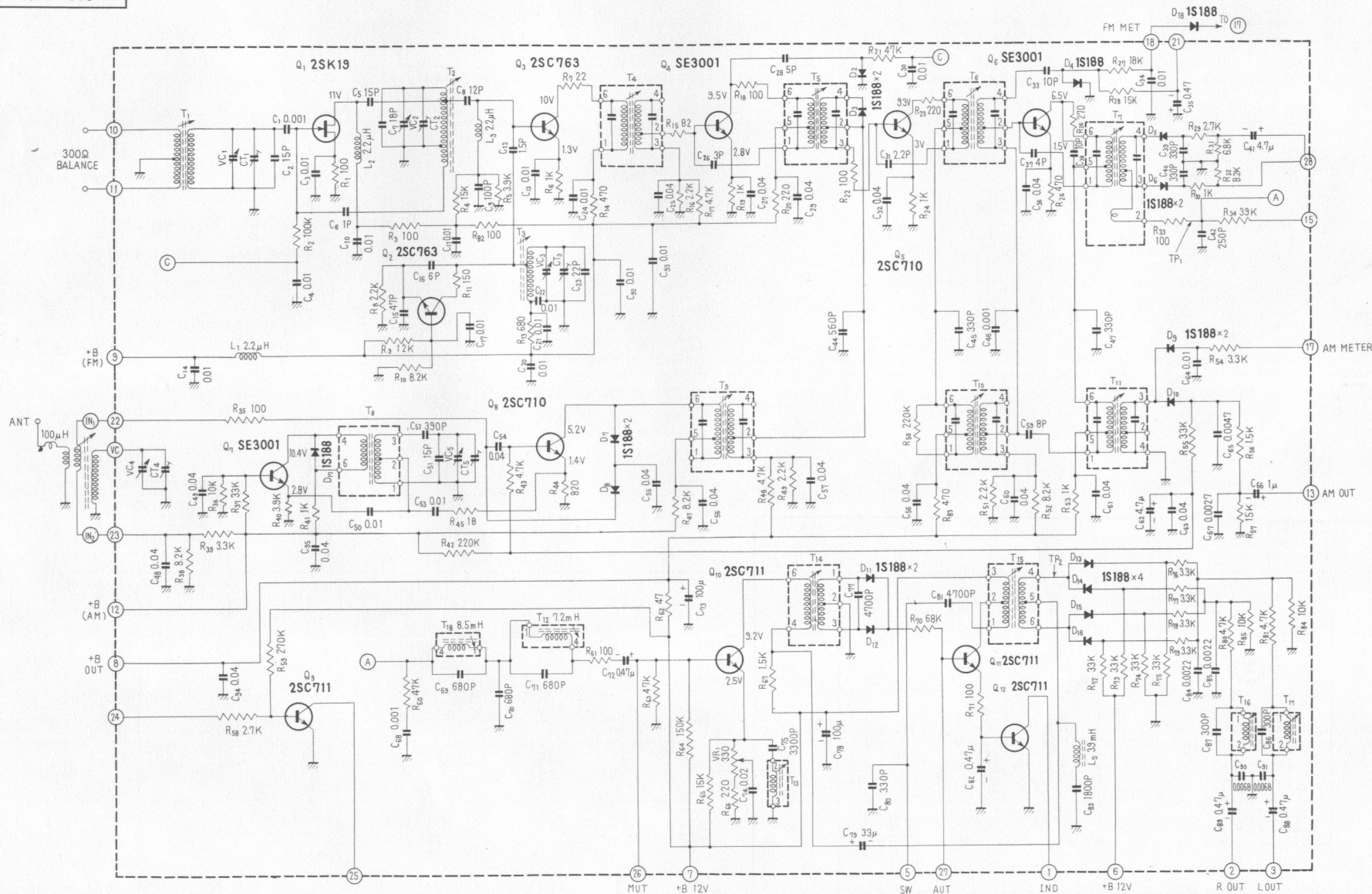


↔ DC CURRENT
↔ DC VOLTAGE for K model



—(bold broken line):
Not in models for 120V AC power source only; not in FTZ approved models

Power supply circuit for 120V AC only.



CAPACITORS
 μF UNLESS NOTED
 P; pF

RESISTORS
 OHM UNLESS NOTED
 K: KILOHM
 M: MEGOHM

CURRENT (at +B = 12V)
 I AM = 16mA
 I FM MONO = 22mA
 I FM STEREO = 28mA
 I MAX = 33mA

AF UNIT

AF UNIT

AWK - 006

