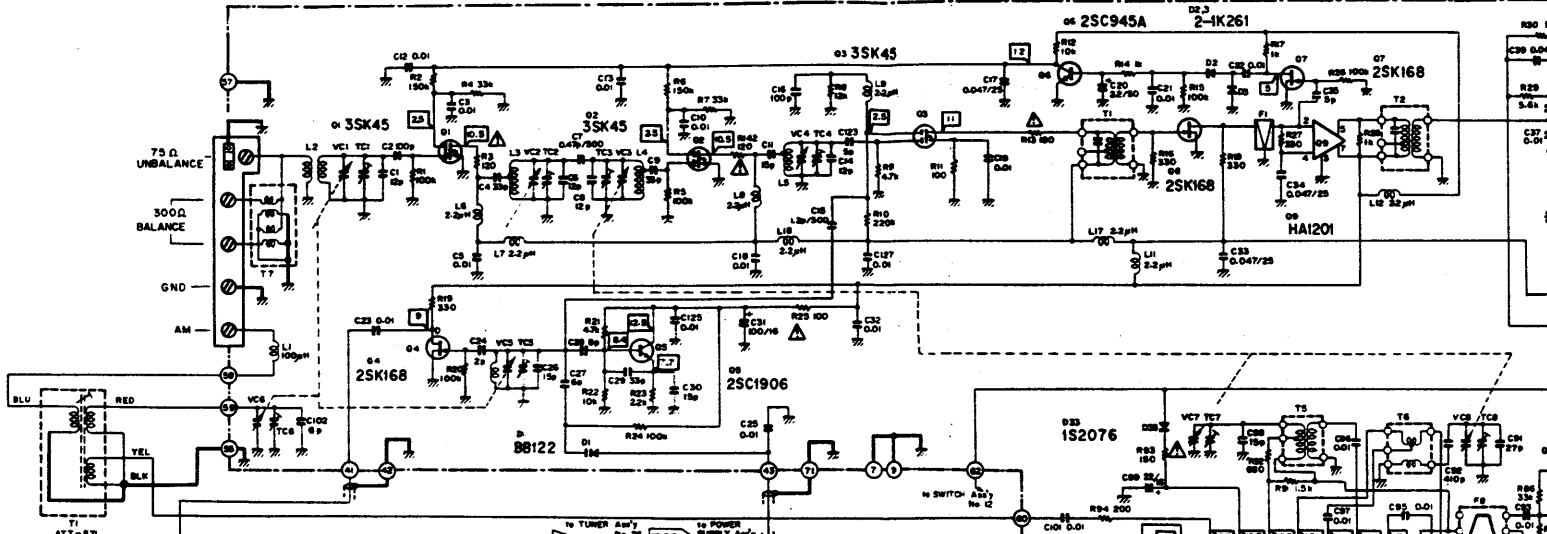
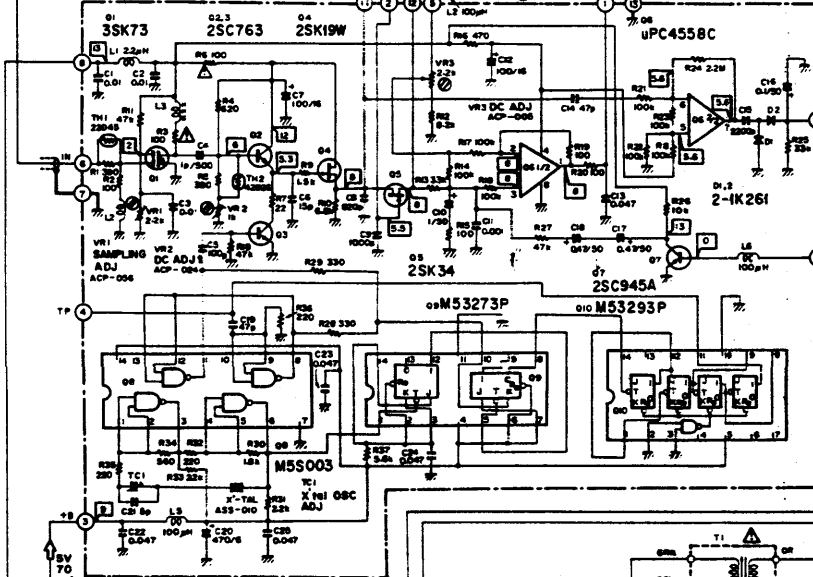


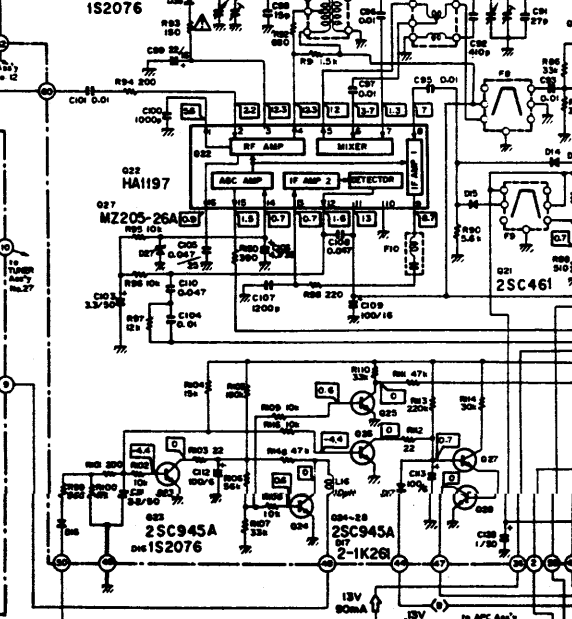
TUNER Assy GWE-114



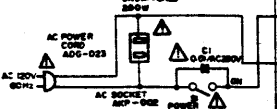
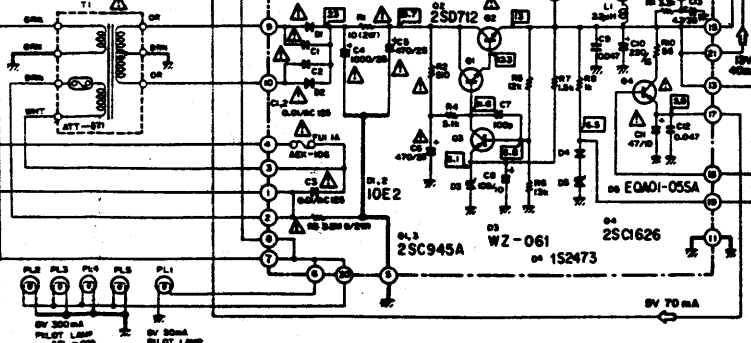
APC Assy AWX-160



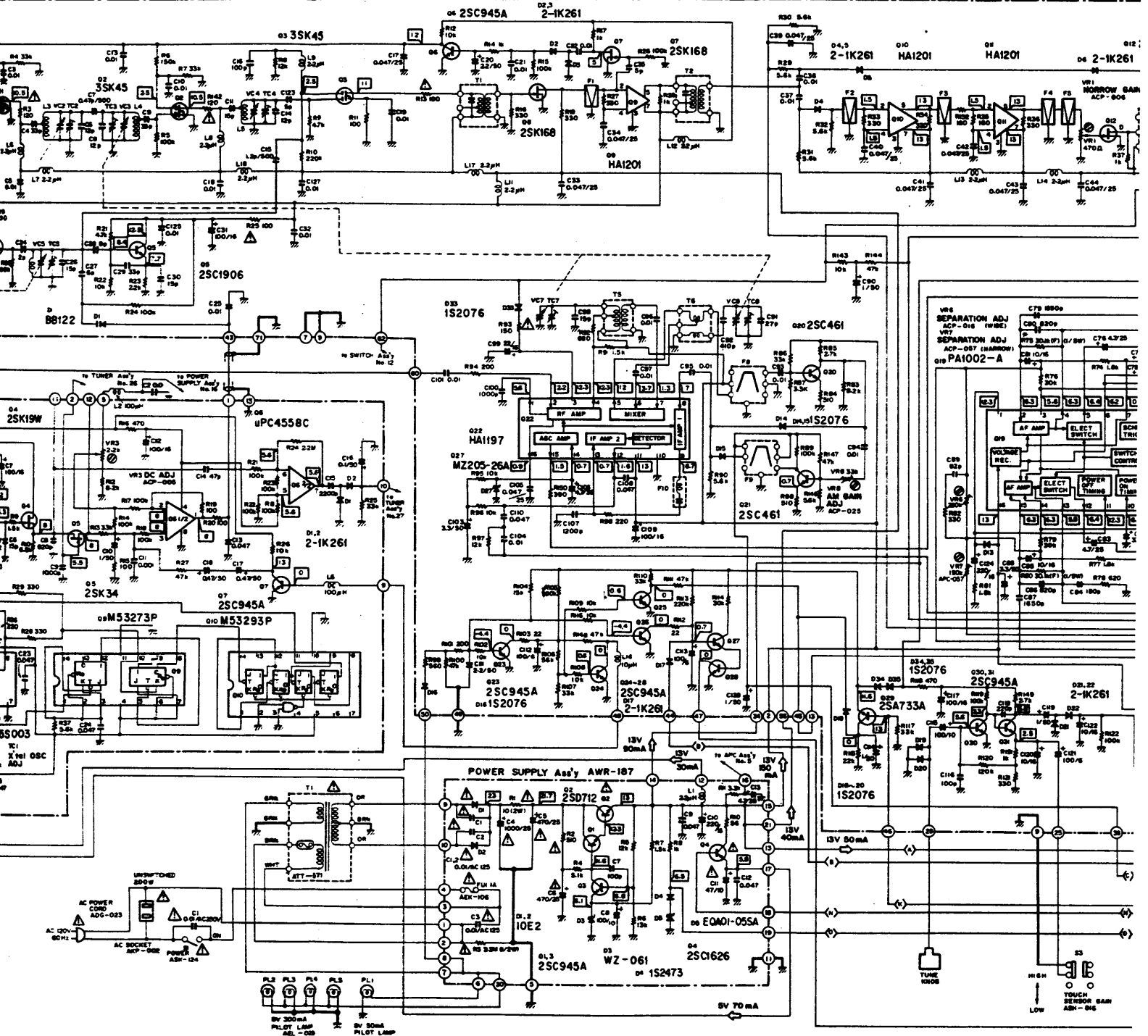
IS2076



POWER SUPPLY Assy AWR-187

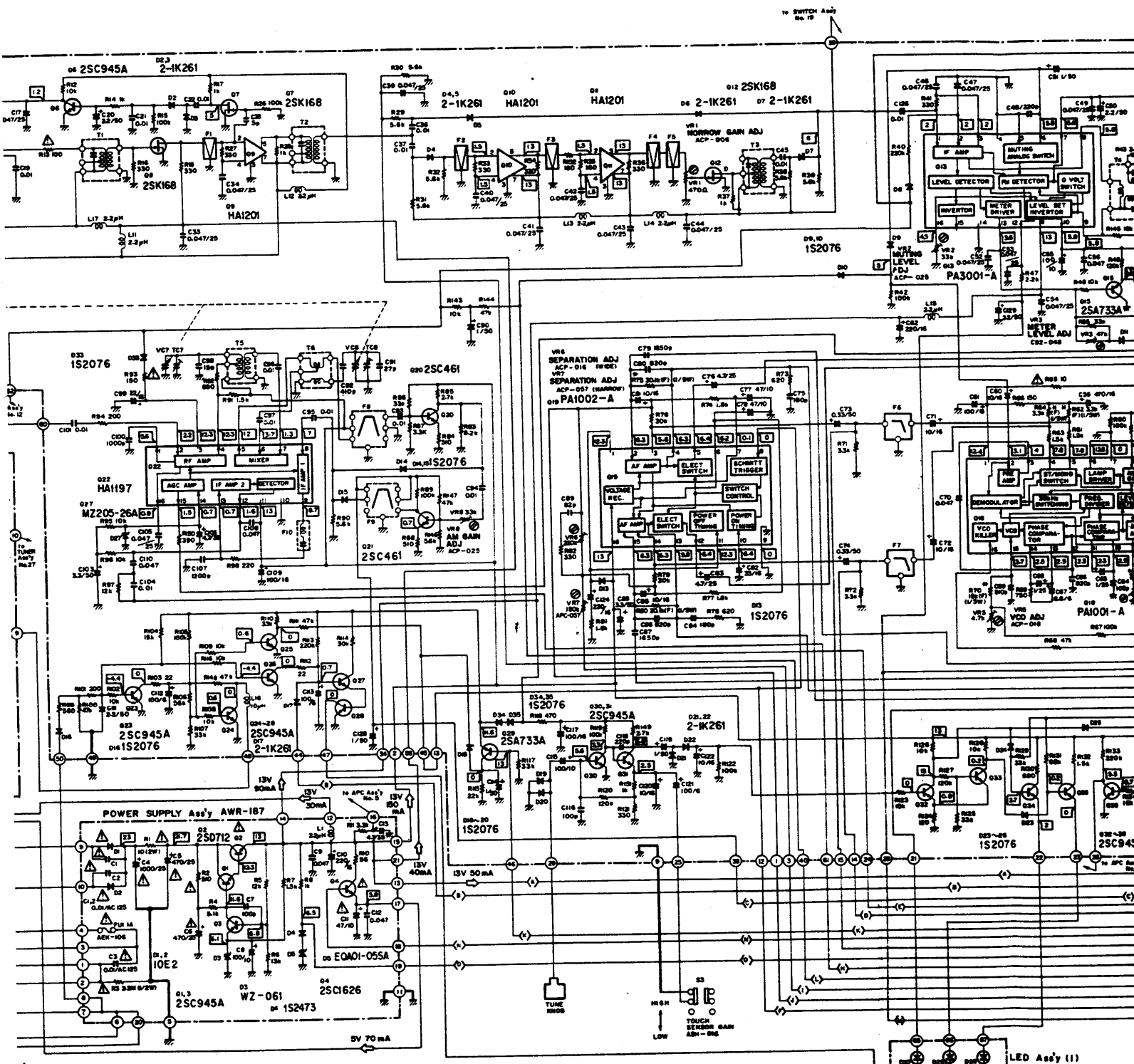


1. RESISTORS:  
Indicated in Ω, 1/4W, ±5% tolerance unless otherwise noted; R1, R2, R3, R4, R5, R6, R7, R8, R9, R10, R11, R12, R13, R14, R15, R16, R17, R18, R19, R20, R21, R22, R23, R24, R25, R26, R27, R28, R29, R30, R31, R32, R33, R34, R35, R36, R37, R38, R39, R40, R41, R42, R43, R44, R45, R46, R47, R48, R49, R50, R51, R52, R53, R54, R55, R56, R57, R58, R59, R60, R61, R62, R63, R64, R65, R66, R67, R68, R69, R70, R71, R72, R73, R74, R75, R76, R77, R78, R79, R80, R81, R82, R83, R84, R85, R86, R87, R88, R89, R90, R91, R92, R93, R94, R95, R96, R97, R98, R99, R100.
2. CAPACITORS:  
Indicated in capacity (μF/Voltage[V]) unless otherwise noted; C1, C2, C3, C4, C5, C6, C7, C8, C9, C10, C11, C12, C13, C14, C15, C16, C17, C18, C19, C20, C21, C22, C23, C24, C25, C26, C27, C28, C29, C30, C31, C32, C33, C34, C35, C36, C37, C38, C39, C40, C41, C42, C43, C44, C45, C46, C47, C48, C49, C50, C51, C52, C53, C54, C55, C56, C57, C58, C59, C60, C61, C62, C63, C64, C65, C66, C67, C68, C69, C70, C71, C72, C73, C74, C75, C76, C77, C78, C79, C80, C81, C82, C83, C84, C85, C86, C87, C88, C89, C90, C91, C92, C93, C94, C95, C96, C97, C98, C99, C100.
3. VOLTAGE, CURRENT:  
□: DC voltage (V) at no input or output  
◁: DC current (mA) at no input or output  
◻: Signal voltage at FM 485Hz.  
⊕: Signal route.  
⊙: Adjusting point.
4. OTHERS:  
⊕: Signal route.  
⊙: Adjusting point.



1. RESISTORS:  
Indicated in Ω, 1/4W, ±5% tolerance unless otherwise noted k; M; MQ, (F); ±1%, (M); ±20% tolerance
2. CAPACITORS:  
Indicated in capacity (pF)/voltage(V) unless otherwise noted p; μF  
Indication without voltage is 50V except electrolytic capacitor.
3. VOLTAGE, CURRENT:  
  - ⊠: DC voltage (V) at no input signal
  - ⊡: DC current at no input signal.
  - ⊞: Signal voltage at FM 400Hz, 75kHz DEV.
4. OTHERS:  
  - ⊞: Signal route.
  - ⊙: Adjusting point

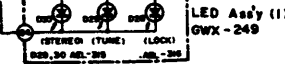
The  $\Delta$  mark found on some component part indicates the importance of the safety factor of the part. Therefore, when replacing, be sure to use parts of identical designation.



1. RESISTORS:  
Indicated in Ω, 1/4W, ±5% tolerance unless otherwise noted; k; M; MΩ; (F); ±1%, (M); ±20% tolerance
2. CAPACITORS:  
Indicated in capacity (μF)/voltage(V) unless otherwise noted; p; pF  
Indication without voltage is 50V except electrolytic capacitor.

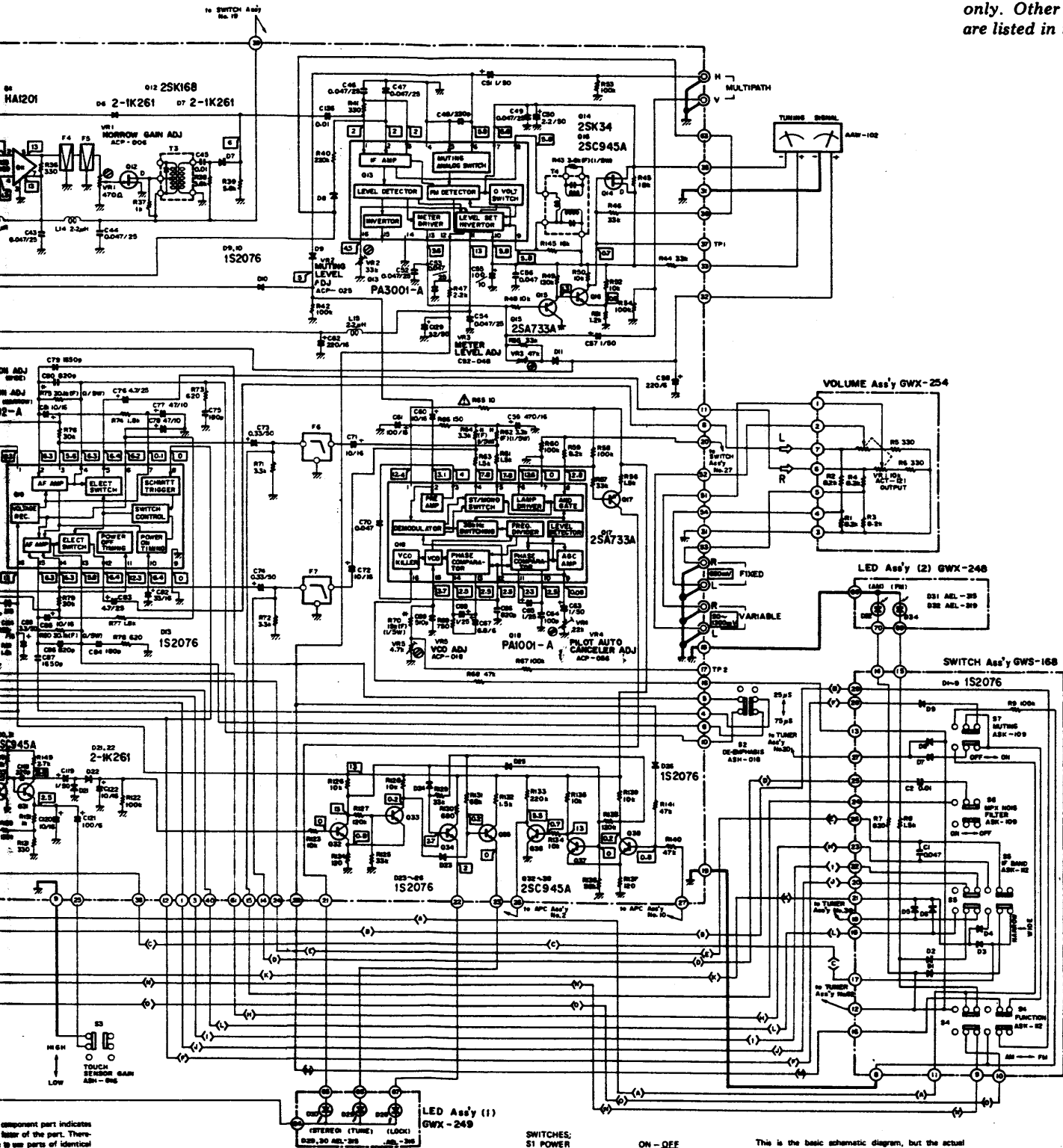
3. VOLTAGE, CURRENT;  
[ ]: DC voltage (V) at no input signal  
[ ]: mA; DC current at no input signal.  
[ ]: Signal voltage at FM 400kHz, 75kHz DEV.
4. OTHERS:  
[ ]: Signal route.  
[ ]: Adjusting point

The Δ mark found on some component part indicates the importance of the safety factor of the part. Therefore, when replacing, be sure to use parts of identical designation.



- SWITCHES
  - S1 POWER
  - S2 DE-EM
  - S3 TOUCH
  - S4 FUNC
  - S5 IF BA
  - S6 MPX
  - S7 MUTI
- The end of the page is partially cut off.

**NOTE:**  
 The indicated semiconductors only. Other alternative semiconductors are listed in the parts list.

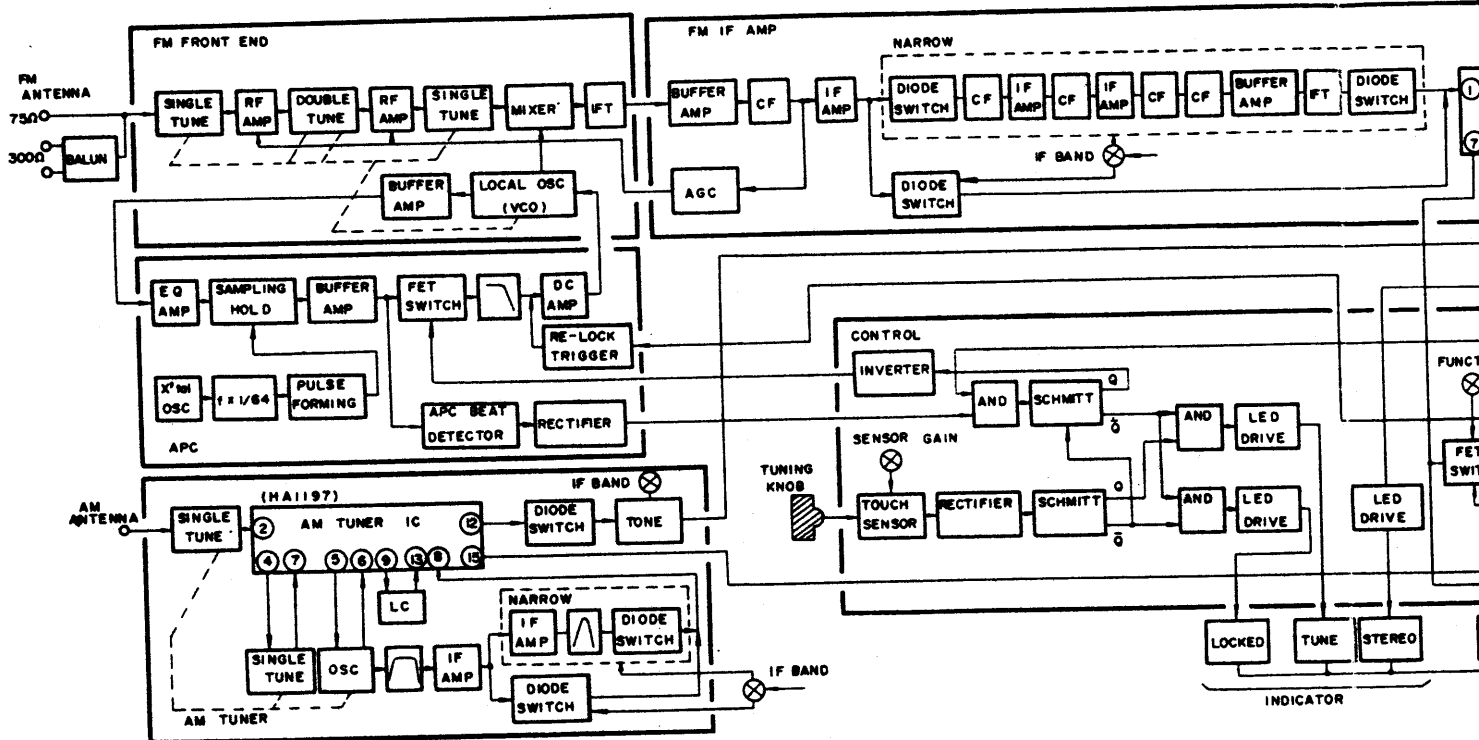


component part indicates  
 base of the part. There-  
 to use parts of identical

- SWITCHES:**
- |                      |               |
|----------------------|---------------|
| S1 POWER             | ON - OFF      |
| S2 DE-EMPHASIS       | 25µs - 75µs   |
| S3 TOUCH SENSOR GAIN | HIGH - LOW    |
| S4 FUNCTION          | FM - AM       |
| S5 IF BAND           | NARROW - WIDE |
| S6 MPX NOISE FILTER  | QEE - ON      |
| S7 MUTING            | ON - OFF      |
- The underlined indicates the switch position.

This is the basic schematic diagram, but the actual circuit may vary due to improvements in design.

### 3. BLOCK DIAGRAM



### 4. CIRCUIT DESCRIPTIONS

#### 4.1 SIGNAL CIRCUIT

##### FM Front-end

The FM front-end of this set uses a precision frequency-linear type 5-ganged tuning capacitor. The circuit is shown in Fig. 4-1. The antenna input is made an unbalanced (75Ω) by an M-coupled single-tuned circuit. The RF stage uses two dual-gate MOS FETs ( $Q_1, Q_2$ ) having superior high-frequency characteristics. The interstage tuning circuits are C-coupled double-tuned for improved reception. The phase characteristic, spurious interference ratio, and IF interference ratio are especially good. A dual-gate MOS FET ( $Q_3$ ) is also used at the mixer stage. The received signal is applied to gate 1 and the local oscillator signal is input at gate 2. The converted output (10.7MHz) is taken from the drain and applied to the IF amplifier thru an IFT. The local oscillator ( $Q_4$ ) is modified Clapp circuit. Its output is fed to the mixer.

$D_1$  of the local oscillator is a vari-cap diode that forms part of the tuning capacitance. A vari-cap diode is an element whose capacitance can be controlled by means of the impressed voltage, and is designed to control the voltage relative to local oscillator frequency deviation to within  $\pm 100\text{kHz}$ . This control voltage is obtained from an APC

(Automatic Phase Control) circuit. (See the description of the APC circuit on page 7.)

##### IF Amplifier

This tuner employs a dual IF amplifier consisting of a wide band IF amplifier designed for high separation, low distortion reproduction, and a narrow band IF amplifier used for rejection of interference signals (Fig. 4-2).

The wide band IF amplifier has been designed with the minimum number of frequency selective elements, with emphasis being placed on linear phase characteristics. The narrow band IF amplifier on the other band, has been designed with emphasis on selectivity. When the selector switch is in the wide position, the signal path is FM front-end  $\rightarrow Q_8 \rightarrow F_1 \rightarrow Q_9 \rightarrow T_2 \rightarrow D_5, D_6 \rightarrow \text{PA3001-A}$ , while in the narrow position it is FM front-end  $\rightarrow Q_8 \rightarrow F_1 \rightarrow Q_9 \rightarrow T_2 \rightarrow D_4 \rightarrow \text{narrow IF amp. } D_7 \rightarrow \text{PA3001-A}$ . The changeover between wide and narrow is performed of diode switches ( $D_4$  to  $D_7$ ). When the selector switch is in the wide position,  $D_5$  and  $D_6$  are biased in the forward direction and  $D_4$  and  $D_7$  are biased in the reverse direction, thus bypassing the narrow IF amplifier. When the selector switch is in the narrow position,  $D_4$  and  $D_7$  are forward biased and  $D_5$  and  $D_6$  are reverse biased.

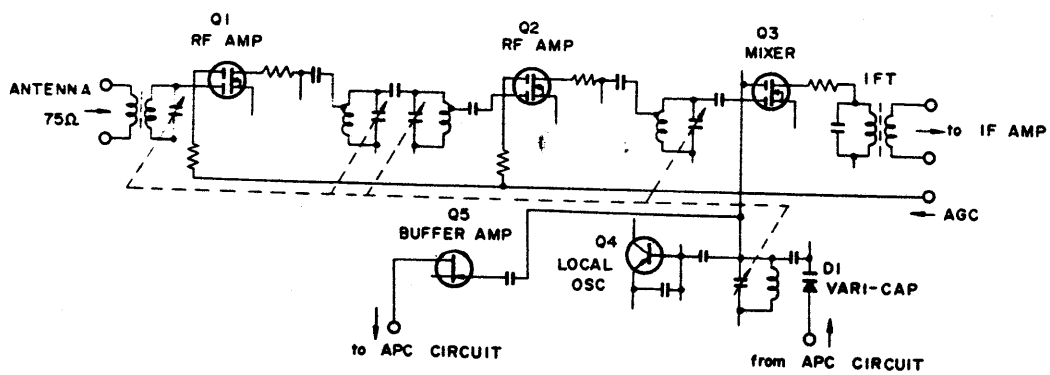
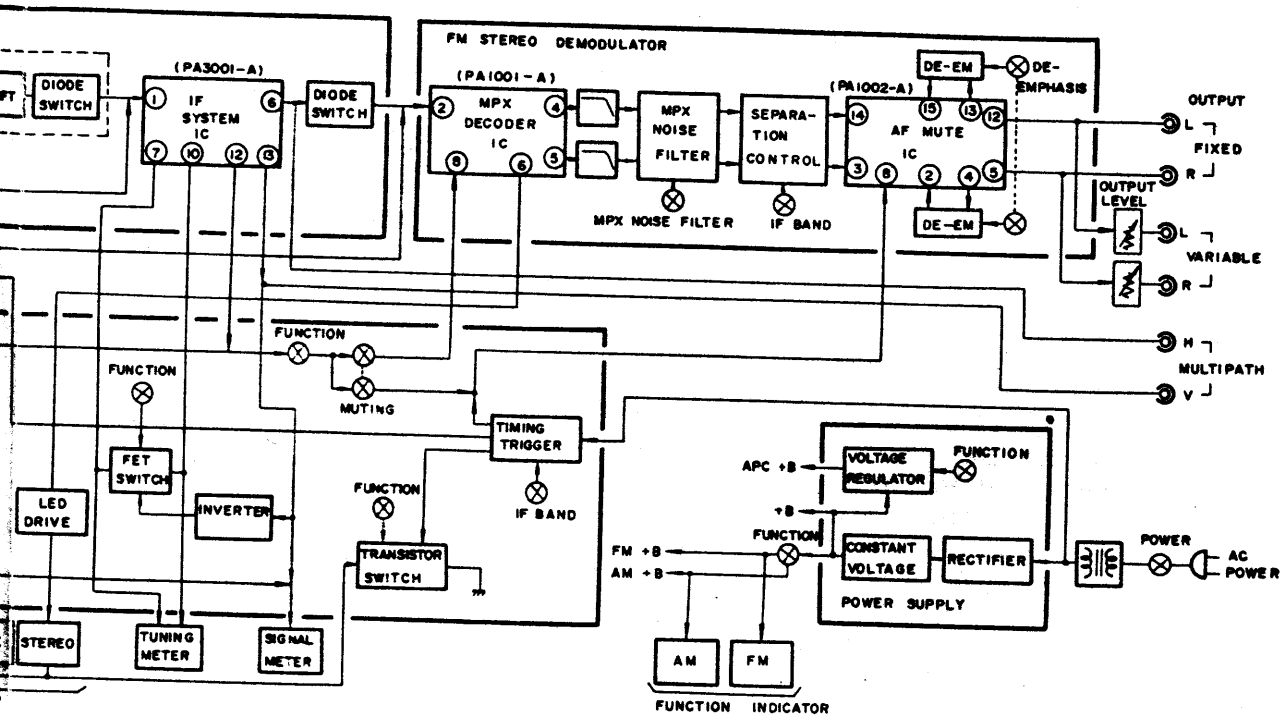


Fig. 4-1 FM front-end

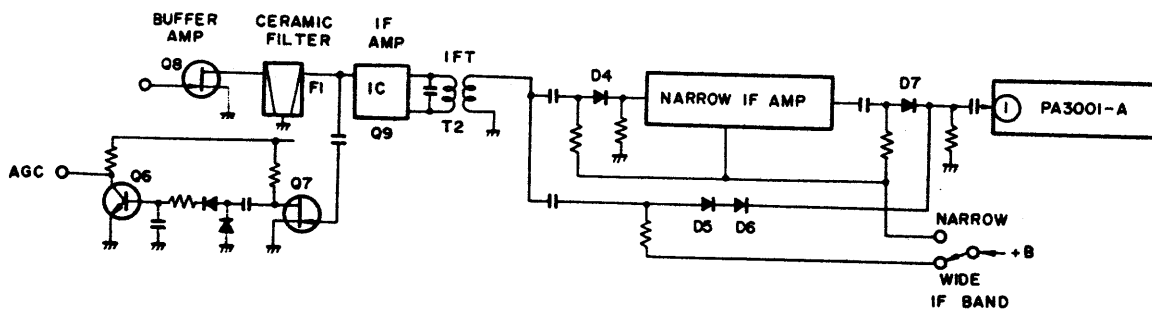


Fig. 4-2 FM IF amplifier

**Multiplex Decoder**

An IC (PA1001-A) developed by Pioneer is used in the stereo demodulation circuit. PA1001-A contains a PLL system VCO (Voltage Controlled Oscillator), NFB demodulator, automatic pilot canceller, and stereo/mono automatic switch. The NFB demodulator and automatic pilot canceller are special features of this IC. The NFB demodulator suppresses distortion caused by the non-linearity of the demodulation circuit. The automatic pilot canceller cancels the pilot signal (19kHz) in the stereo demodulation signal. This circuit cancels the pilot signal (19kHz) in the stereo demodulated signal by applying the 19kHz from the VCO synchronized with the pilot signal (19kHz) in the composite signal to the stereo demodulated signal thru an AGC amp. Moreover, since the cancel signal level tracks the input pilot signal level by means of the AGC amp., the rejection ratio remains the same even with changes in input pilot signal level.

**Output Amplifier**

An AF MUTE IC (PA1002-A) is employed in the final stage of the tuner. This IC contains two AF amplifiers for L and R channels, together with a muting gate circuit. These AF amplifiers employ time constant NFB to provide de-emphasis characteristics. The muting gate circuit is electrically connected to the signal circuit when a DC voltage is applied to pin no.8 of the PA1002-A (Refer to muting control in page 10).

**4.2 APC CIRCUIT**

The APC circuit stabilizes the receiving state by suppressing changes in the FM front-end local oscillator frequency.

This circuit is a PLL circuit that controls the frequency of the local oscillator (VCO; Voltage Controlled Oscillator) by comparing the phase of a reference frequency produced by a crystal oscillator and the phase of the local oscillator frequency, and then using the DC voltage corresponding to their phase difference to control the local oscillator. The capture range (range over

which circuit is locked) of this APC is approximately  $\pm 12\text{kHz}$ , and its lock range (range which can be controlled by APC) is  $\pm 75\text{kHz}$ . Fig. 4-3 is the block diagram of this circuit.

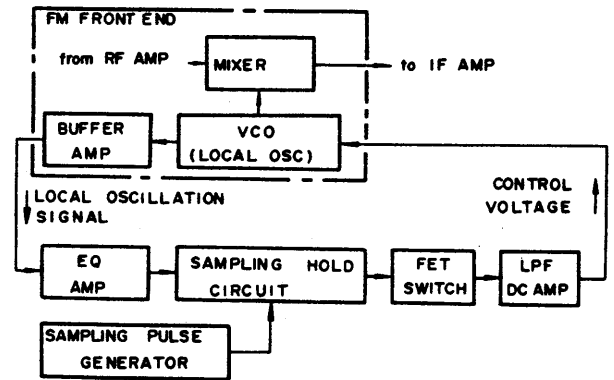


Fig. 4-3 Block diagram of APC circuit

**Sampling Pulse Generator**

This circuit uses 3 digital ICs and one crystal (Fig. 4-4). The crystal and two NAND gates on M5S003P from an oscillator circuit that oscillates at the reference frequency (6.4MHz).

This reference frequency is converted to a 100kHz square wave by dividing it by four with M53273P and then dividing it by sixteen with M53293P. This 100kHz square wave is applied to two NAND gates on M5S003P and shaped to a 100kHz sampling pulse (Fig. 4-5). This sampling pulse is then applied to the sampling hold circuit.

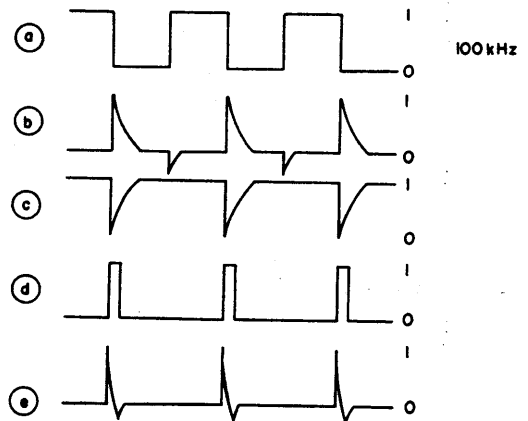


Fig. 4-4

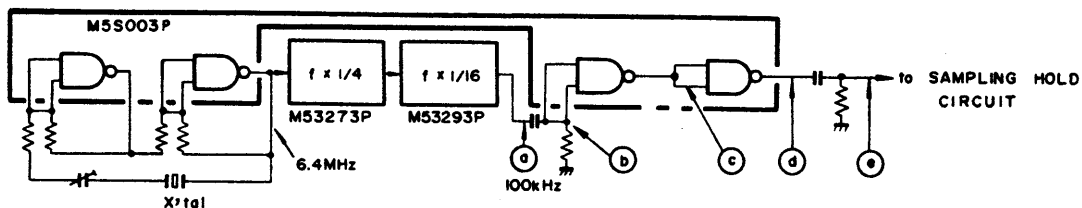


Fig. 4-5 Sampling pulse generator

## Sampling Hold Circuit

The sampling hold circuit compares the phases of the local oscillation frequency and sampling pulse, and generates a voltage corresponding to their phase difference (Fig. 4-6). When the sampling pulse is applied to the base of  $Q_3$ ,  $Q_3$  is turned on, and current flows thru  $Q_2$ . When the pulse is removed,  $Q_3$  is turned off, and a flyback pulse is generated at the base of  $Q_2$  at this instant by the inductance component of the circuit.  $C_5$  is charged by this flyback pulse and  $Q_2$  is then turned off. When the next sampling pulse is applied, the charge across  $C_5$  is discharged thru  $Q_3$  and  $C_5$  is recharged by the flyback pulse generated at the base of  $Q_2$  at this time. The voltage waveforms of each part are shown in Fig. 4-7. This becomes as shown in Fig. 4-8 when the local oscillation frequency is applied to the base of  $Q_2$ .

Fig. 4-8a is the waveform when the sampling pulse and local oscillation frequency are in phase, and Fig. 4-8b is the composite waveform when there is a phase difference. Therefore, a voltage corresponding to the phase difference between the sampling pulse and local oscillation frequency is hold. The  $C_5$  hold voltage waveform is shown in Fig. 4-9.

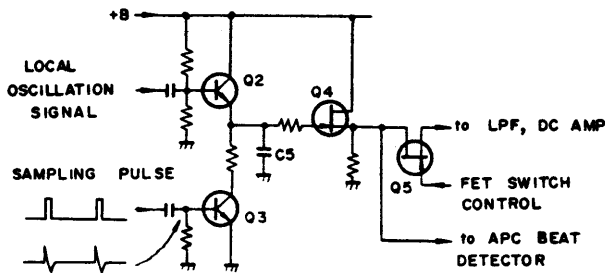


Fig. 4-6 Sampling hold circuit

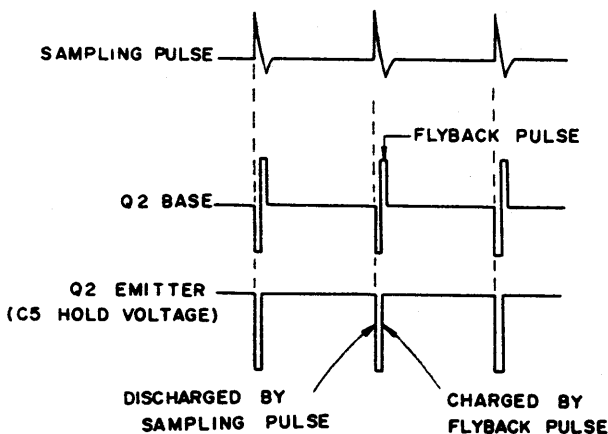


Fig. 4-7 Voltage waveforms

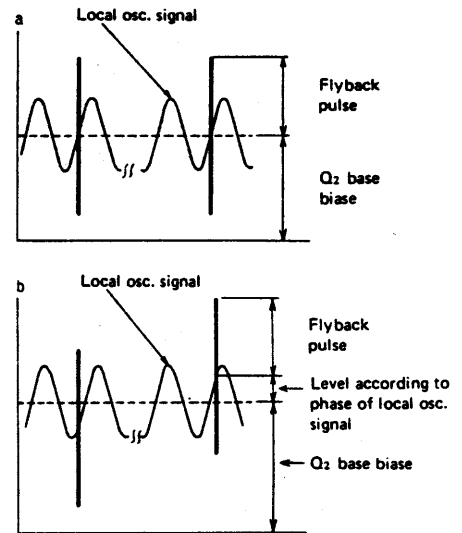


Fig. 4-8 Q2 base waveforms

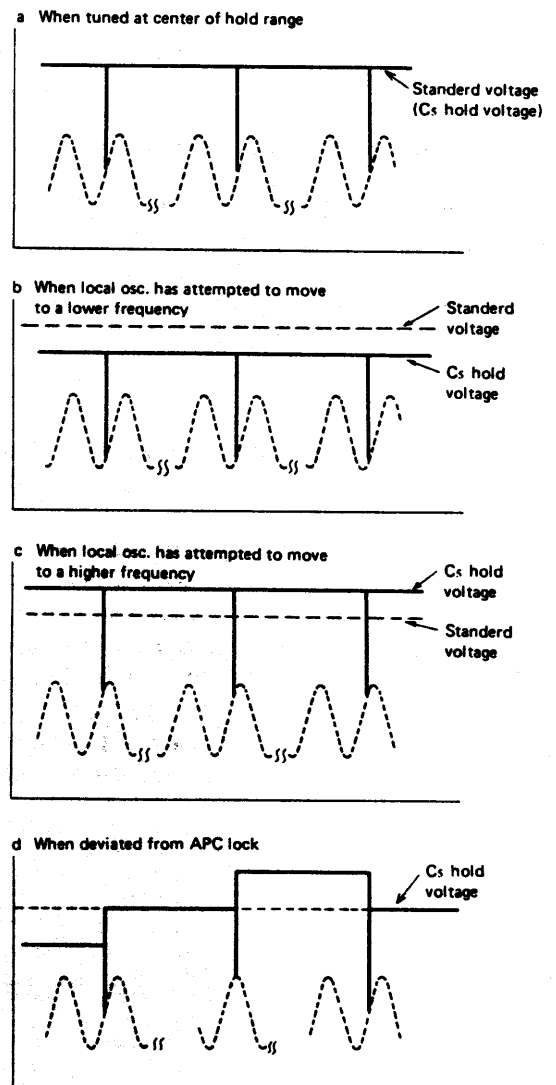


Fig. 4-9  $C_5$  hold voltage waveforms



## 4.2 CONTROL CIRCUIT

### NOTE:

The control circuit is operated digitally. Consequently, voltage changes are represented by "H" (high level voltage) and "L" (low level voltage) in the description.

### APC Operation Control

The FET switch ( $Q_5$ ) in the APC circuit is turned off when the tuning knob is touched. During this time, a reference voltage (+8V) is applied to the variable capacitance diode in the FM front-end local oscillator to permit station tuning operations with the APC turned off.

When an input signal whose antenna input level is at least 20dBf (5.5 $\mu$ V) is tuned, the TUNE indicator LED is turned on. And when the tuning knob is then released, the FET switch ( $Q_5$ ) is turned on, thereby completing the APC circuit loop to "lock" the local oscillator frequency. The TUNE indicator LED subsequently turns off, and the LOCKED indicator LED turns on instead. These operations are all controlled by the touch sensor, APC beat detector, and the output from pin no.12 of the IF system IC (PA3001-A). (See Fig. 4-10).

When the tuning knob is touched by hand, noise voltage induced by the human body is detected and amplified by the touch sensor. The sensor output is then rectified and employed as the Schmitt A control voltage. When an APC beat signal of at least 7kHz appears at the output of the sampling hold circuit, it is detected, and then amplified by the APC beat detector. (APC beat signals are generated at the sampling hold circuit output if the FM front-end local oscillator fails

to remain at an integer multiple of 100kHz. The frequency of this beat signal lies within the DC~50kHz range, and is determined by the phase difference between the sampling pulse and the oscillator frequency). The output of the APC beat detector is rectified, and employed as the Schmitt B control voltage. When a station is tuned away by more than  $\pm 65$ kHz, or if the antenna input level is below 20dBf, a DC voltage appears at pin no.12 of the IF system IC (PA3001-A), this also being used to control Schmitt B.

Consequently, when the antenna input level of the tuned signal exceeds 20dBf, the collector voltage of  $Q_{32}$  in Schmitt A will be set to "L", and the collector voltage of  $Q_{33}$  set to "H". And with the collector voltage of  $Q_{38}$  in Schmitt B at "H", the collector voltage of  $Q_{37}$  is also set to "H" (by the  $Q_{32}$  collector voltage). The base voltage of  $Q_{35}$  is thereby increased, resulting in this transistor being turned on to light up the TUNE indicator. Since  $Q_{34}$  remains off because of a low base voltage, the LOCKED indicator does not light up at this time. And since  $Q_{36}$  has already been turned on by the collector voltage of  $Q_{37}$ , the gate voltage of the APC circuit FET switch ( $Q_5$ ) will be low, which means this switch will also remain off.

When the tuning knob is then released, the collector voltages of Schmitt A  $Q_{32}$  and  $Q_{33}$ , and Schmitt B  $Q_{37}$  will all be inverted, resulting in  $Q_{35}$  (TUNE indicator LED) being turned off, and  $Q_{34}$  (LOCKED indicator LED) being turned on.  $Q_{36}$  is also turned off to turn the FET switch ( $Q_5$ ) on.

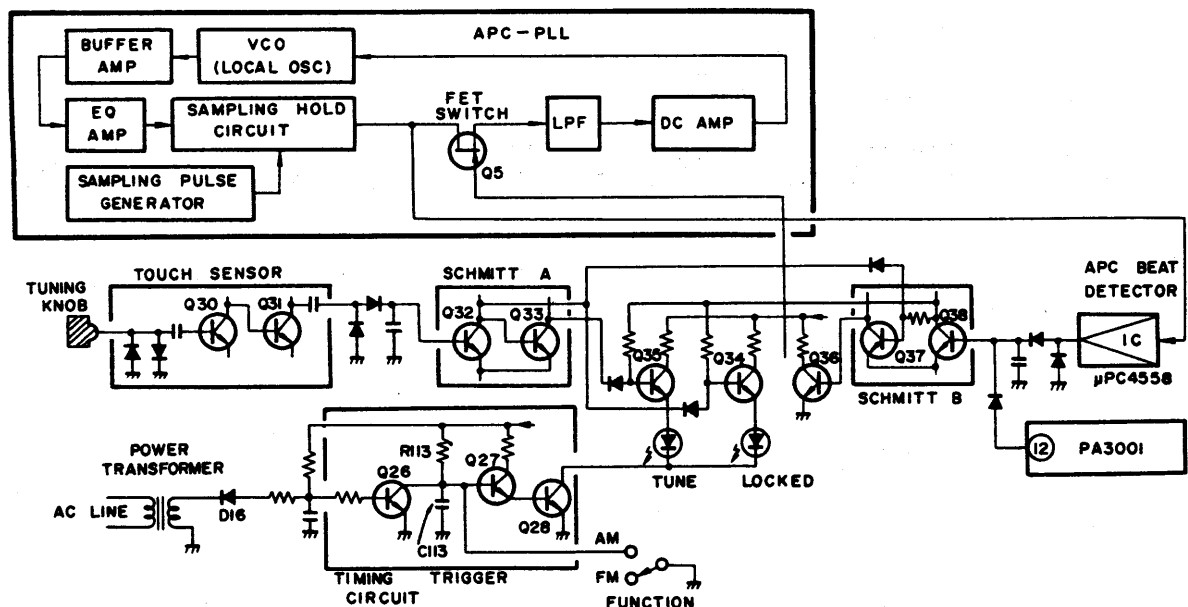


Fig. 4-10 APC operation control circuit

## Timing Trigger Circuit

This circuit is designed to delay the lighting up of the indicator LEDs (TUNE, LOCKED, STEREO) when the power is switched on, and to turn them off immediately when the power is switched off again. (See Fig. 4-10).

When the power is switched on,  $Q_{26}$  is turned off immediately by a negative voltage applied via  $D_{16}$ . The base voltage of  $Q_{27}$  is thereby increased gradually, the increase being controlled by the  $R_{113}/C_{113}$  time constant. Once the voltage reaches +1.2V (approx.),  $Q_{27}$  and  $Q_{28}$  are both turned on, thereby turning on all relevant indicator LEDs.

When the power is switched off again, the negative voltage applied via  $D_{16}$  is cut immediately, resulting in  $Q_{26}$  being turned on.  $C_{113}$  therefore discharges directly via  $Q_{26}$  to turn  $Q_{27}$  and  $Q_{28}$  off. All indicator LEDs will consequently turn off immediately. This same result is also achieved when the FUNCTION selector is in the AM position. This is due to the fact that the base of  $Q_{27}$  is connected to ground by the FUNCTION selector, thereby turning  $Q_{27}$  and  $Q_{28}$  off.

## Re-lock Trigger Circuit

When the power is switched on, this re-lock trigger circuit activates a sweep of the local oscillator frequency, covering a range of up to 100kHz both sides of the frequency indicated by the dial pointer at the time. If a signal of antenna input level in excess of 20dBf is detected in this range, the frequency is automatically re-locked by the APC circuit. (See Fig. 4-11).

In this case, when the power is switched on  $Q_{23}$  is turned off immediately by the negative voltage applied via  $D_{16}$ , resulting in the voltage changes at different places describing different curves as shown in Fig. 4-12. The voltage applied to the variable capacitance diode in the local oscillator is represented by curve (e), thereby causing the local oscillator frequency to change, or "sweep" within a limited range. If an input signal whose antenna input level exceeds 20dBf is detected during this sweep, the APC circuit FET switch is turned on,

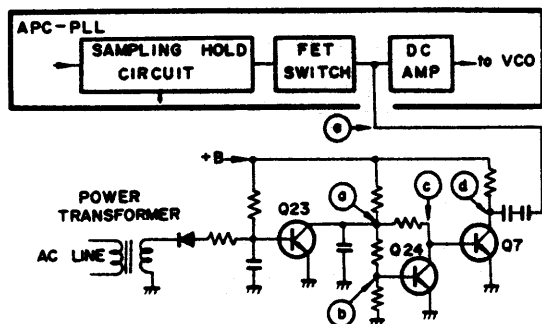


Fig. 4-11 Re-lock trigger circuit

resulting in the frequency of that input signal being locked by the APC circuit.

## Muting Control Circuits

This tuner features 3 major muting actions.

- (1) Inter-station muting in the FM band and muting of weak FM stations.
- (2) Muting of switching noises when FUNCTION selector and IF BAND switch are operated.
- (3) Muting when POWER switch is turned on and off.

All muting action is controlled by the muting gate included in the AF MUTE IC (PA1002-A). (See Fig. 4-13).

### (1) Inter-station Muting in FM Band

When any FM input signal whose antenna input level is below 20dBf ( $5.5\mu\text{V}$ ) is received (which also covers the case when no input signal is received), a DC voltage appears at pin no.12 of the IF system IC (PA3001-A). If the MUTING switch has been turned on, this DC voltage is applied to pin no.8 of the AF MUTE IC (PA1002-A) to activate the muting circuit.

### (2) Muting of Switching Noises (FUNCTION Selector and IF BAND Switch)

When either the FUNCTION selector or the IF BAND switch is switched to another position, the  $Q_{29}$  base potential is dropped momentarily, resulting in  $Q_{29}$  being turned on during the same brief moment. During this interval,  $C_{114}$  is charged up, the charge then being applied to pin no.8 of PA1002-A. The muting time is thus determined by the  $C_{114}/R_{115}$  time constant.

### (3) Power Switch Muting

The muting trigger employed when the POWER

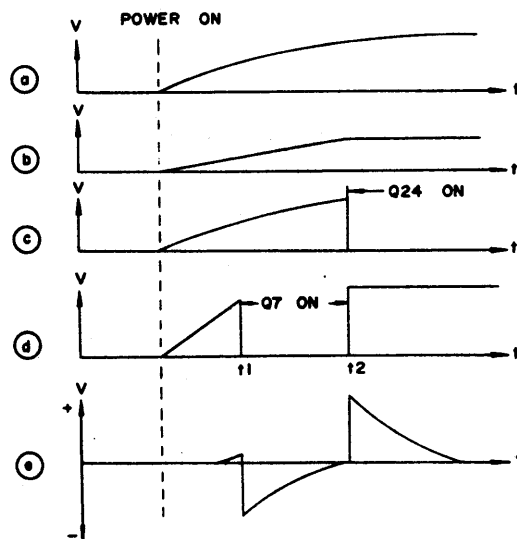


Fig. 4-12 Voltage waveforms

switch is turned on and off is formed by Q<sub>23</sub> and Q<sub>25</sub>. When the POWER switch is turned on, Q<sub>23</sub> is turned off by the negative voltage applied via D<sub>16</sub>. The consequent voltage changes at points (a) and (b) are shown in Fig. 4-14. The point (b) voltage is applied to pin no.8 of PA1002-A. When the POWER switch is turned off, Q<sub>23</sub> is turned on due to the immediate cut off of the negative voltage applied via D<sub>16</sub>. Q<sub>25</sub> is then turned off as a result of the voltage at point (a) dropping to 0V, thereby generating a muting trigger action at point (b).

**4.4 AM TUNER**

The AM tuner stage is equipped with a 3-ganged tuning capacitor and an IC (HA1197). The IF amplifier stage includes a "wide IF amplifier" stage (for improved quality of sound) and a "narrow IF amplifier" stage (for better selectivity). (See Fig. 4-15).

The WIDE and NARROW positions are switched by switching the bias of D<sub>14</sub> and D<sub>15</sub>, thereby altering the signal path. In the NARROW position, D<sub>15</sub> is turned on, resulting in the inverse biasing of D<sub>14</sub>, and the IF signal being passed via F<sub>9</sub> (narrow band-pass filter). In the WIDE position, the D<sub>15</sub> bias is removed, resulting in D<sub>14</sub> being biased in the forward direction, and the IF signal being bypassed via D<sub>14</sub>.

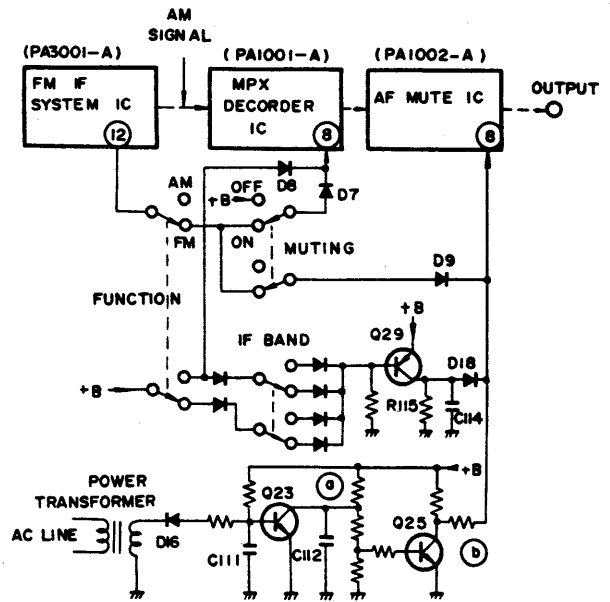


Fig. 4-13 Muting control circuit

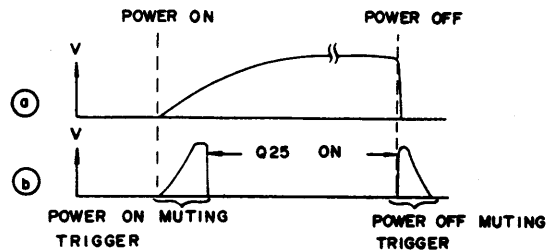


Fig. 4-14 Voltage waveforms

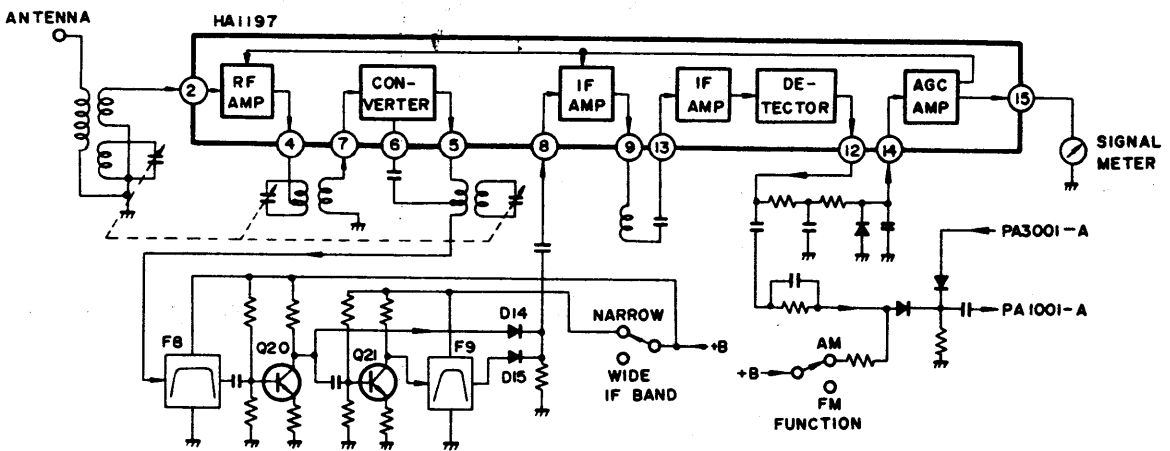


Fig. 4-15 AM tuner

## FM Tracking

1. Turn the MUTING and MPX FILTER switches to the OFF position, turn the IF BAND switch to the NARROW position, and the FUNCTION switch to the FM position.
2. Set up the test equipment as Fig. 7-4.
3. Connect the wire between Tuner ass'y terminal 26 and ground.
4. Connect a DC voltmeter between Tuner ass'y terminal 43(+) and ground(-).
5. Adjust the VR<sub>3</sub> of the APC ass'y to obtain a reading of +8V on the DC voltmeter (refer to Fig. 7-2).
6. Disconnect the DC voltmeter from the Tuner ass'y.
7. Set the FM signal generator (FM SG) to a modulation frequency of 400Hz, FM deviation of 75kHz, and output level of 60dB to 80dB.
8. Set the FM SG output frequency and the dial frequency of the TX-9800 to 90MHz.
9. Adjust the core of L<sub>10</sub> to obtain a maximum reading on the SIGNAL meter.
10. Set the FM SG output frequency and dial frequency of the TX-9800 to 106MHz.
11. Adjust the TC<sub>5</sub> to obtain a maximum reading on the SIGNAL meter.
12. Adjust by repeating steps 8 to 11.
13. Set output level of the FM SG from 20dB to 30dB.
14. Set the FM SG output frequency and dial frequency of the TX-9800 to 90MHz.
15. Adjust the gap of coils (L<sub>3</sub> to L<sub>5</sub>)\* and core of L<sub>2</sub> and T<sub>1</sub> to T<sub>3</sub> to obtain a maximum reading on the signal meter.
16. Set the FM SG output frequency and dial frequency of the TX-9800 to 106MHz.
17. Adjust TC<sub>1</sub> to TC<sub>4</sub> to obtain a maximum reading on the SIGNAL meter.
18. Adjust by repeating steps 14 to 17.
19. Connect the wire between Tuner ass'y terminal 37 and ground.
20. Turn the dial frequency of the TX-9800 to 98MHz without any input signal.
21. Adjust the core of T<sub>4</sub>-a so that the TUNING meter reads dead center.
22. Turn the IF BAND switch to the WIDE position.
23. Set the FM SG output frequency and dial frequency of the TX-9800 to 98MHz. Then TUNING meter reads dead center.
24. Set output level of the FM SG to 60dB.
25. Adjust the core of T<sub>4</sub>-b to reduce distortion in the output to a minimum.
26. Repeat steps 20 to 25 above so that the TUNING meter reads dead center with a minimum

of distortion.

27. Disconnect wire between Tuner ass'y terminal 26 and ground.
28. Adjust the TC<sub>1</sub> of the APC ass'y so that the TUNING meter reads dead center.
29. Disconnect the wire between Tuner ass'y terminal 37 and ground.
30. Set the FM SG output frequency and dial frequency of the TX-9800 to 98MHz.
31. Set the FM SG output level to 100dB, and then adjust VR<sub>3</sub> so that the SIGNAL meter reads 4.8 on the scale.
32. Set the FM SG output level to 35dB, and record the deflection level of the SIGNAL meter.
33. Turn the IF BAND switch to the NARROW position.
34. Adjust VR<sub>1</sub> to obtain the same deflection level of the SIGNAL meter as the deflection level recorded in step 32.
35. Turn the IF BAND switch to the WIDE position.
36. Turn the MUTING switch to the ON position.
37. Set the FM SG output level to 20dB, and then adjust VR<sub>2</sub> to the point where the muting operated.

## Multiplex Decoder

38. Connect the multiplex signal generator (MPX SG) to the external modulator terminals of FM SG, thereby using FM SG as external modulation.
39. Connect the frequency counter between terminal 17 of the Tuner ass'y and ground.
40. Turn the MUTING switch to the ON position and IF BAND switch to the WIDE position.
41. Set the FM SG output frequency to 98MHz, and output level to 60dB, unmodulated.
42. Tune the TX-9800 to check that the SIGNAL meter gives maximum deflection, and the TUNING meter reads dead center.
43. Adjust VR<sub>5</sub> to obtain a reading of 76kHz on the frequency counter.
44. Disconnect the frequency counter.
45. Set the MPX SG modulation output to pilot signal (19kHz) only, and set the FM deviation to 7.5kHz.
46. Adjust VR<sub>4</sub> so that the AC voltmeter (OUTPUT) shows minimum reading (19kHz leak).
47. Set the MPX SG to 1kHz (L or R) 33.75kHz deviation and 19kHz (pilot signal) 7.5kHz deviation.
48. Adjust the core of T<sub>2</sub> (less than  $\pm 90^\circ$ ) for minimum distortion at the L or R output.
49. Turn the IF BAND switch to the NARROW position.

50. Adjust the core of  $T_3$  (less than  $\pm 90^\circ$ ) for minimum distortion at the L or R output.
51. Turn the IF BAND switch to the WIDE position.
52. Adjust the  $VR_6$  to reduce crosstalk between L and R to a minimum.
53. Turn the IF BAND switch to the NARROW position.
54. Adjust the  $VR_7$  to reduce crosstalk between L and R to a minimum.

**NOTE:**

$L_3$ ,  $L_4$  and  $L_5$  are coreless coils which may be adjusted by extending one turn of coil out towards the tuning capacitor (See Fig. 7-3).

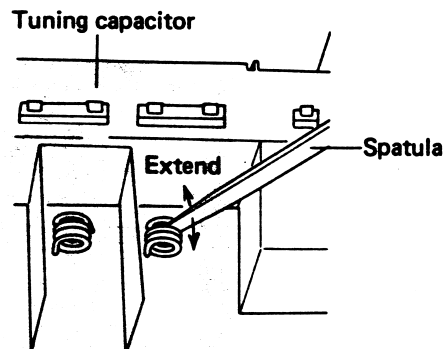


Fig. 7-3 Adjustment of tuning coil

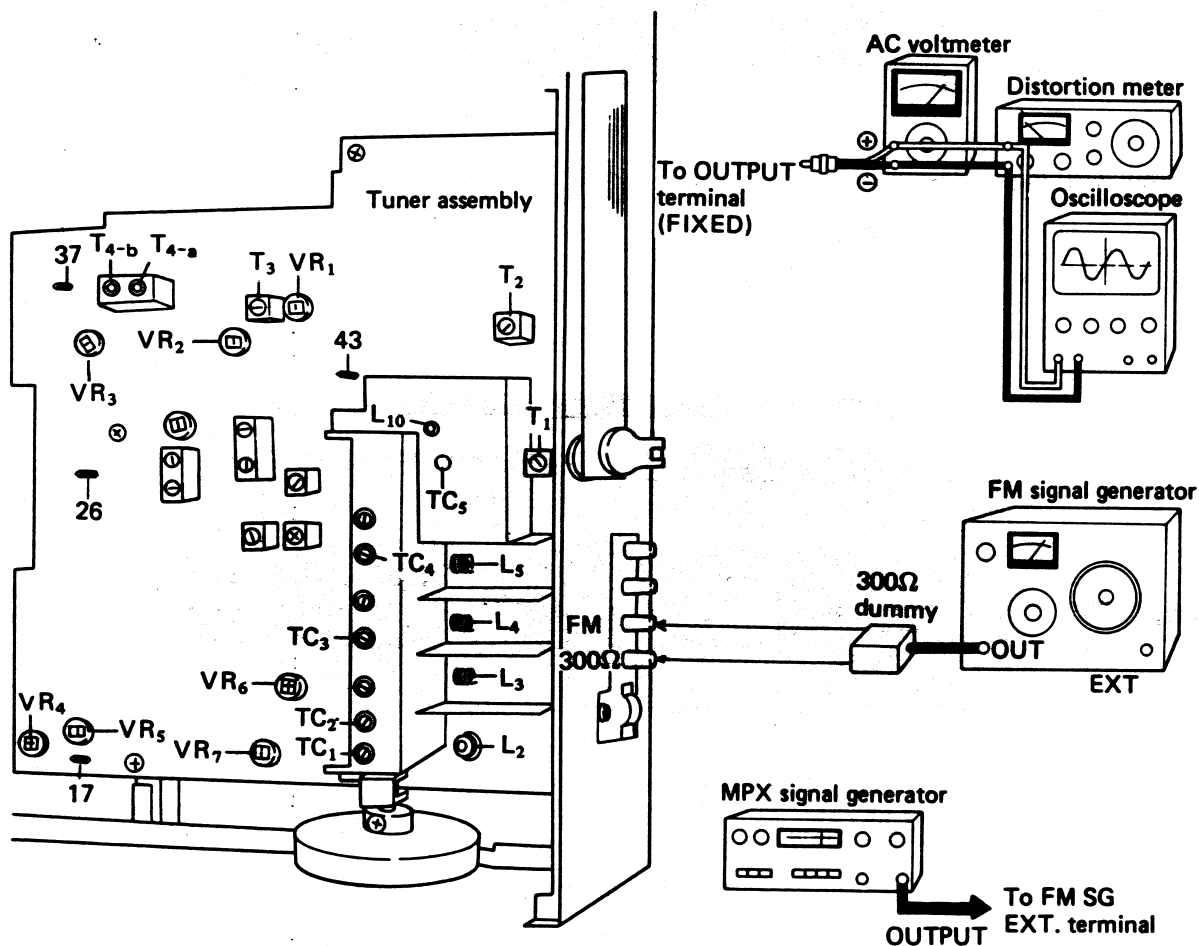


Fig. 7-4

## 7.2 FM TUNER

### APC Circuit

1. Turn the FUNCTION switch to the FM position.
2. Connect the frequency counter between terminal 4 and 7 (ground).
3. Adjust the  $TC_1$  to obtain a reading of 100.000kHz ( $\pm 2$ Hz) on the frequency counter.
4. Disconnect the frequency counter.
5. Connect the wire between terminal 2 and 7.
6. Connect the DC voltmeter between terminal 1(+) and 7(-).
7. Adjust the  $VR_3$  to obtain a reading of +8.5V ( $\pm 20$ mV) on the DC voltmeter. Disconnect the DC voltmeter.
8. Set the dial frequency of the TX-9800 to 88MHz.
9. Connect the oscilloscope between terminal 11 and 7 (Ground).
10. Adjust the  $VR_1$  to obtain a reading of 1.2V (peak to peak) on the oscilloscope.
11. Connect the DC voltmeter between terminal 11(+) and 1(-).
12. Adjust the  $VR_2$  to obtain a reading of +10mV ( $\pm 10$ mV) on the DC voltmeter. Disconnect the DC voltmeter.

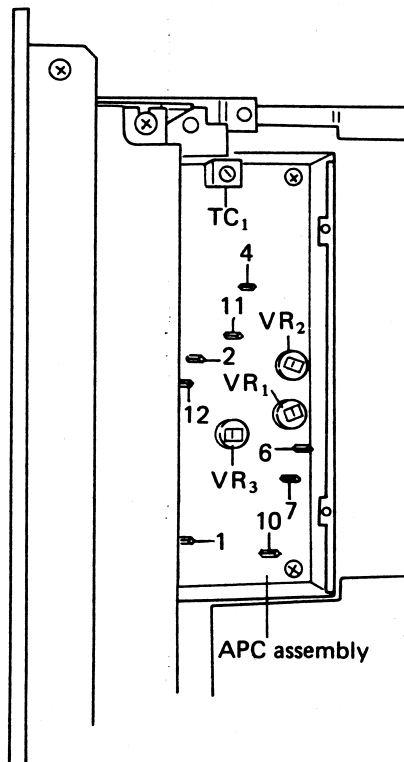


Fig. 7-2