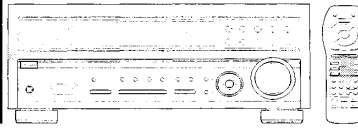


# Service Manual



ORDER NO.  
RRV 1770

AUDIO/VIDEO STEREO RECEIVER

# VSX-D906S

## VSX-07TX

## VSX-09TX

THIS MANUAL IS APPLICABLE TO THE FOLLOWING MODEL(S) AND TYPE(S).

| Type  | Model     |          |          | Power Requirement           | The voltage can be converted by the following method. |
|-------|-----------|----------|----------|-----------------------------|---|
|       | VSX-D906S | VSX-07TX | VSX-09TX |                             |   |
| KU    | ○         | —        | —        | AC120V                      | —   |
| KC    | ○         | —        | —        | AC120V                      | —   |
| SD    | ○         | —        | —        | AC110V/120 – 127V/220V/240V | With the voltage selector                             |
| KU/CA | —         | ○        | ○        | AC120V                      | —   |

## CONTENTS

|  |     |
|--|-----|
| 1. SAFETY INFORMATION .....                  | 2   |
| 2. EXPLODED VIEWS AND PARTS LIST .....       | 3   |
| 3. SCHEMATIC DIAGRAM .....                   | 12  |
| 4. PCB CONNECTION DIAGRAM .....              | 49  |
| 5. PCB PARTS LIST .....                      | 80  |
| 6. ADJUSTMENT .....                          | 93  |
| 7. GENERAL INFORMATION .....                 | 96  |
| 7.1 PARTS .....                              | 96  |
| 7.1.1 IC .....                               | 96  |
| 7.1.2 DISPLAY .....                          | 100 |
| 7.2 BLOCK DIAGRAM .....                      | 102 |
| 7.3 REMOTE CONTROL UNIT .....                | 104 |
| 8. PANEL FACILITIES AND SPECIFICATIONS ..... | 108 |

**PIONEER ELECTRONIC CORPORATION** 4-1, Meguro 1-Chome, Meguro-ku, Tokyo 153, Japan  
**PIONEER ELECTRONICS SERVICE, INC.** P.O.Box 1760, Long Beach, CA 90801-1760, U.S.A.  
**PIONEER ELECTRONIC [EUROPE] N.V.** Haven 1087, Keetberglaan 1, 9120 Melsele, Belgium  
**PIONEER ELECTRONICS ASIACENTRE PTE. LTD.** 501 Orchard Road, #10-00 Lane Crawford Place, Singapore 0923

© PIONEER ELECTRONIC CORPORATION 1997

T-FZK MAY 1997 Printed in Belgium

# 1. SAFETY INFORMATION

This service manual is intended for qualified service technicians; it is not meant for the casual do-it-yourselfer. Qualified technicians have the necessary test equipment and tools, and have been trained to properly and safely repair complex products such as those covered by this manual. Improperly performed repairs can adversely affect the safety and reliability of the product and may void the warranty. If you are not qualified to perform the repair of this product properly and safely, you should not risk trying to do so and refer the repair to a qualified service technician.

**WARNING**

Lead in solder used in this product is listed by the California Health and Welfare agency as a known reproductive toxicant which may cause birth defects or other reproductive harm (California Health & Safety Code, Section 25249.5).

When servicing or handling circuit boards and other components which contain lead in solder, avoid unprotected skin contact with the solder. Also, when soldering do not inhale any smoke or fumes produced.


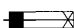
**NOTICE**

(FOR CANADIAN MODEL ONLY)

Fuse symbols  (fast operating fuse) and/or  (slow operating fuse) on PCB indicate that replacement parts must be of identical designation.

**REMARQUE**

(POUR MODÈLE CANADIEN SEULEMENT)

Les symboles de fusible  (fusible de type rapide) et/ou  (fusible de type lent) sur CCI indiquent que les pièces de remplacement doivent avoir la même désignation.

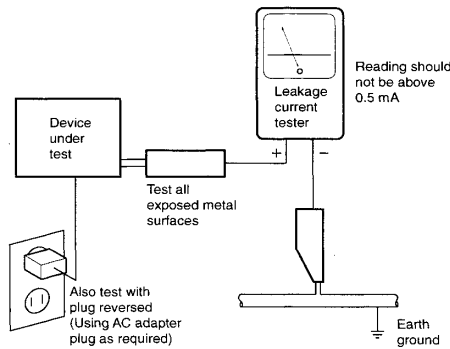
**(FOR USA MODEL ONLY)**

**1. SAFETY PRECAUTIONS**

The following check should be performed for the continued protection of the customer and service technician.

**LEAKAGE CURRENT CHECK**

Measure leakage current to a known earth ground (water pipe, conduit, etc.) by connecting a leakage current tester such as Simpson Model 229-2 or equivalent between the earth ground and all exposed metal parts of the appliance (input/output terminals, screwheads, metal overlays, control shaft, etc.). Plug the AC line cord of the appliance directly into a 120V AC 60 Hz outlet and turn the AC power switch on. Any current measured must not exceed 0.5 mA.



AC Leakage Test

**ANY MEASUREMENTS NOT WITHIN THE LIMITS OUTLINED ABOVE ARE INDICATIVE OF A POTENTIAL SHOCK HAZARD AND MUST BE CORRECTED BEFORE RETURNING THE APPLIANCE TO THE CUSTOMER.**

**2. PRODUCT SAFETY NOTICE**

Many electrical and mechanical parts in the appliance have special safety related characteristics. These are often not evident from visual inspection nor the protection afforded by them necessarily can be obtained by using replacement components rated for voltage, wattage, etc. Replacement parts which have these special safety characteristics are identified in this Service Manual.

Electrical components having such features are identified by marking with a ! on the schematics and on the parts list in this Service Manual.

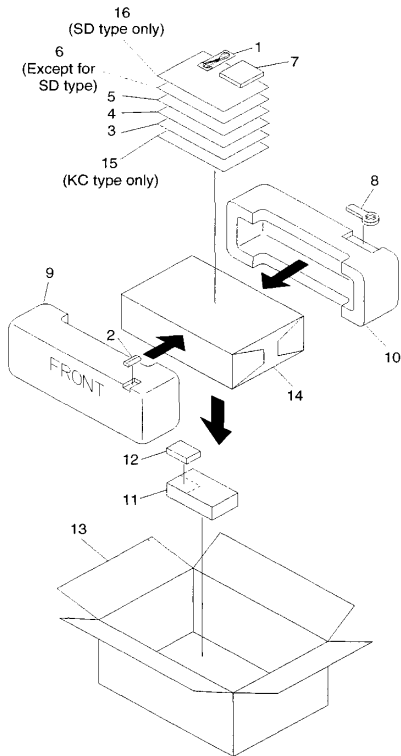
The use of a substitute replacement component which does not have the same safety characteristics as the PIONEER recommended replacement one, shown in the parts list in this Service Manual, may create shock, fire, or other hazards.

Product Safety is continuously under review and new instructions are issued from time to time. For the latest information, always consult the current PIONEER Service Manual. A subscription to, or additional copies of, PIONEER Service Manual may be obtained at a nominal charge from PIONEER.

## 2. EXPLODED VIEWS AND PARTS LIST

- NOTES:
- Parts marked by "NSP" are generally unavailable because they are not in our Master Spare Parts List.
  - The  $\Delta$  mark found on some component parts indicates the importance of the safety factor of the part. Therefore, when replacing, be sure to use parts of identical designation.
  - Screws adjacent to  $\blacktriangledown$  mark on product are used for disassembly.

### 2.1 PACKING



### (1) PARTS LIST

| Mark | No. | Description                           | Parts No.              |
|------|-----|---------------------------------------|------------------------|
| NSP  | 1   | FM Antenna                            | ADH1015                |
|      | 2   | Alkaline Dry Cell Batteries (LR6. AA) | AEX1007                |
|      | 3   | Operating Instructions                | See Contrast table (2) |
|      | 4   | Sub Instruction Manual ISC (English)  | ARH7022                |
|      | 5   | Sub Instruction Manual AC-3 (English) | ARH7023                |
| NSP  | 6   | Warranty Card                         | See Contrast table (2) |
|      | 7   | AM Loop Antenna                       | ATB1005                |
|      | 8   | Remote Control Unit                   | See Contrast table (2) |
|      | 9   | Front Pad                             | See Contrast table (2) |
|      | 10  | Rear Pad                              | See Contrast table (2) |
| NSP  | 11  | Sub Pad A                             | AHA7171                |
|      | 12  | Sub Pad B                             | AHA7172                |
|      | 13  | Packing Case                          | See Contrast table (2) |
|      | 14  | Packing Sheet                         | See Contrast table (2) |
|      | 15  | Operating Instructions                | See Contrast table (2) |
|      | 16  | Caution 220V                          | See Contrast table (2) |

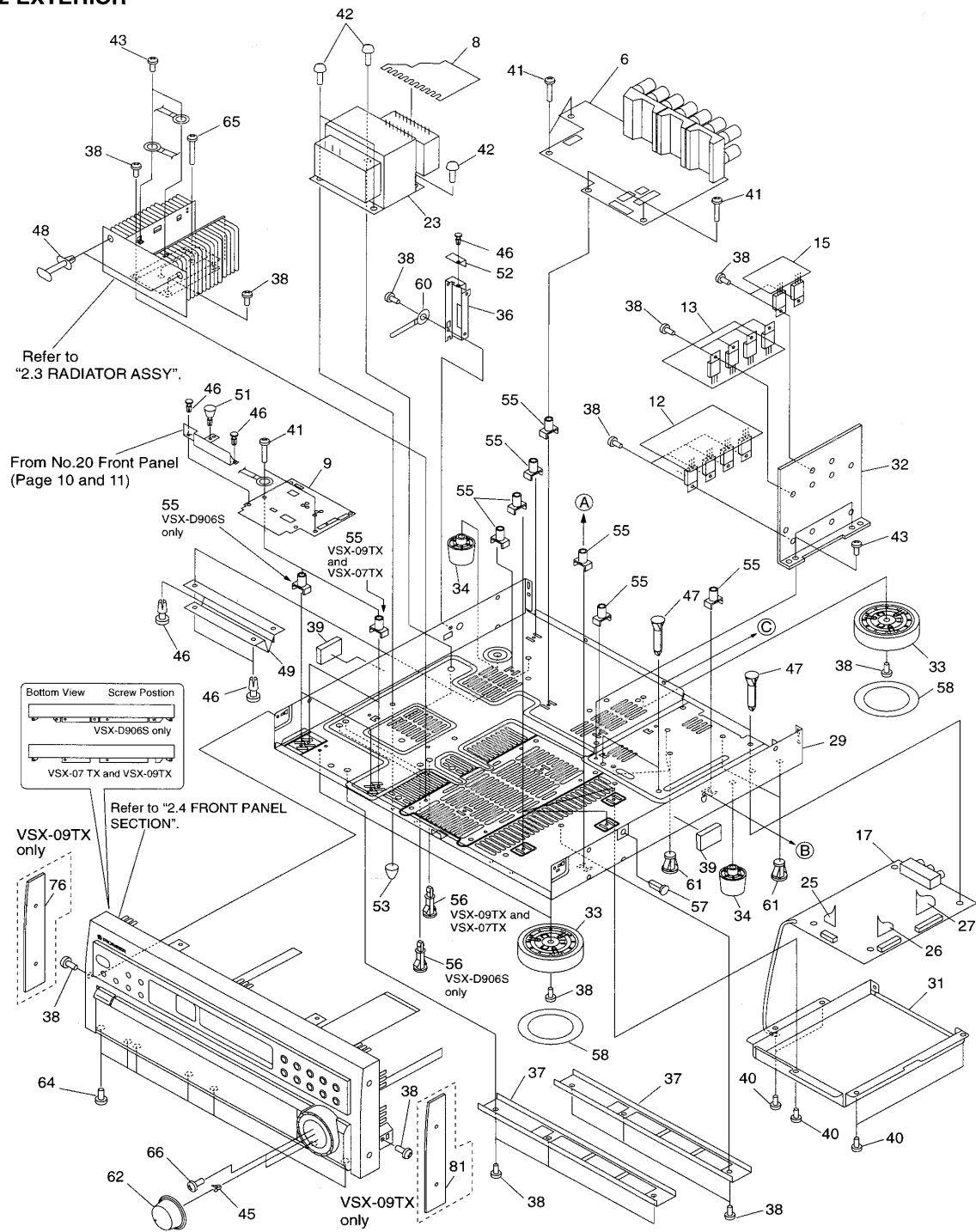
### (2) CONTRAST TABLE

VSX-D906S/KC, VSX-D906S/SD, VSX-07TX/KU/CA, VSX-09TX/KU/CA and VSX-D906S/KU have the same construction except for the following:

| Mark | No. | Symbol & Description                             | Part No.      |               |               |                 | Remarks  |
|------|-----|--|---------------|---------------|---------------|-----------------|----------|
|      |     |  | VSX-D906S /KU | VSX-D906S /KC | VSX-D906S /SD | VSX-07TX /KU/CA |          |
| NSP  | 3   | Operating Instructions (English)                 | ARB7111       | ARB7111       | Not used      | ARB7129         | ARB7129  |
|      | 3   | Operating Instructions (English/Spanish/Chinese) | Not used      | Not used      | ARC7159       | Not used        | Not used |
|      | 6   | Warranty Card                                    | ARY1044       | ARY1039       | Not used      | ARY1026         | ARY1026  |
|      | 8   | Remote Control Unit (CU - VSX117)                | AXD7127       | AXD7127       | Not used      | Not used        | Not used |
| NSP  | 8   | Remote Control Unit (CU - VSX122)                | Not used      | Not used      | AXD7122       | AXD7122         | AXD7122  |
|      | 9   | Front Pad  | AHA7158       | AHA7158       | AHA7158       | AHA7158         | AHA7161  |
|      | 10  | Rear Pad   | AHA7159       | AHA7159       | AHA7159       | AHA7159         | AHA7160  |
|      | 13  | Packing Case                                     | AHD7441       | AHD7441       | AHD7442       | AHD7443         | AHD7444  |
| NSP  | 14  | Packing Sheet                                    | RHC1023       | RHC1023       | RHC1023       | RHC1023         | Not used |
|      | 14  | Packing Sheet                                    | Not used      | Not used      | Not used      | Not used        | AHG7046  |
| NSP  | 15  | Operating Instructions (French)                  | Not used      | ARC7158       | Not used      | Not used        | Not used |
|      | 16  | Caution 220V                                     | Not used      | Not used      | ARR - 003     | Not used        | Not used |

# VSX-D906S, VSX-07TX, VSX-09TX

## 2.2 EXTERIOR





# VSX-D906S, VSX-07TX, VSX-09TX

## (1) PARTS LIST

| Mark | No. | Description          | Parts No.              | Mark | No. | Description         | Parts No.              |
|------|-----|----------------------|------------------------|------|-----|---------------------|------------------------|
|      | 1   | AUDIO ASSY           | See Contrast table (2) |      | 41  | Screw               | ABA1018                |
| NSP  | 2   | AUDIO/VIDEO ASSY     | See Contrast table (2) |      | 42  | Screw (Steel)       | ABA1053                |
|      | 3   | VIDEO ASSY           | See Contrast table (2) |      | 43  | Screw               | ABA1054                |
| NSP  | 4   | PRE – OUT & SR ASSY  | See Contrast table (2) |      | 44  | Screw (Steel)       | ABA1193                |
|      | 5   | S – VIDEO ASSY       | See Contrast table (2) |      | 45  | Adjust Spring       | ABK7013                |
|      | 6   | SP TERMINAL ASSY     | See Contrast table (2) |      | 46  | Rivet               | AEC – 441              |
| NSP  | 7   | PRIMARY ASSY         | See Contrast table (2) |      | 47  | PCB Holder          | AEC7073                |
|      | 8   | TRANS TERMINAL ASSY  | AWZ8730                | NSP  | 48  | Card Spacer         | AEC7081                |
|      | 9   | POWER SUPPLY ASSY    | See Contrast table (2) | NSP  | 49  | Barrier             | AEC7089                |
| NSP  | 10  | CONNECTION ASSY      | AWZ8732                |      | 50  | Mini Card Spacer    | AEC7092                |
|      | 11  | MASTER VR ASSY       | AWZ8734                |      | 51  | T Type Push Rivet   | AEC7093                |
|      | 12  | REGULATOR (1) ASSY   | AWZ8735                |      | 52  | Barrier             | AEC7095                |
|      | 13  | REGULATOR (2) ASSY   | AWZ8736                |      | 53  | Stud Cover          | AEC7096                |
| NSP  | 14  | E VR ASSY            | See Contrast table (2) |      | 54  | Cord Stopper        | See Contrast table (2) |
| NSP  | 15  | REGULATOR (3) ASSY   | AWZ8819                |      | 55  | PCB Mould           | AMR1525                |
|      | 16  | V – AMP ASSY         | AWZ8874                |      | 56  | Locking Card Spacer | DEC1908                |
|      | 17  | DOLBY DIGITAL ASSY   | AWX7038                |      | 57  | Card Spacer         | DNK2769                |
|      | 18  | FM/AM TUNER MODULE   | See Contrast table (2) |      | 58  | Stopper             | PNM1134                |
|      | 19  | LIMITTER ASSY        | See Contrast table (2) | NSP  | 59  | PCB Holder          | REC1258                |
|      | 20  | Terminal Screw       | AKE – 031              | NSP  | 60  | Clamper             | RNE1277                |
| △    | 21  | FU1 Fuse (10A)       | See Contrast table (2) | NSP  | 61  | PC Support          | VEC1749                |
| NSP  | 22  | 8P Shielded Cable    | ADX1941                |      | 62  | Volume Knob         | See Contrast table (2) |
| △    | 23  | T1 Power Transformer | See Contrast table (2) |      | 63  | Bonnet Case         | See Contrast table (2) |
| △    | 24  | Fan Motor            | AXM7012                |      | 64  | Screw               | BBZ30P080FZK           |
| NSP  | 25  | Jumper Wire          | D15A10 – 200 – 2651    |      | 65  | Screw               | BBZ30P300FMC           |
| NSP  | 26  | Jumper Wire 11P      | D20PYY1115E            |      | 66  | Screw               | BMZ30P080FMC           |
| NSP  | 27  | Jumper Wire 15P      | D20PYY1515E            |      | 67  | Screw               | BPZ30P080FZK           |
| △    | 28  | AC Power Cord        | See Contrast table (2) |      | 68  | Screw               | See Contrast table (2) |
| NSP  | 29  | Chassis              | See Contrast table (2) |      | 69  | Screw               | IBZ30P100FCC           |
|      | 30  | Rear Panel           | See Contrast table (2) |      | 70  | .....               |                        |
| NSP  | 31  | Bottom Plate         | See Contrast table (2) |      | 71  | .....               |                        |
| NSP  | 32  | Sub Heat Sink        | ANH7055                | △    | 72  | FU2, FU3 Fuse (T5A) | See Contrast table (2) |
|      | 33  | Insulator            | PNW2020                | △    | 73  | Voltage Selector    | See Contrast table (2) |
|      | 34  | Foot                 | REC1263                | △    | 74  | Voltage Selector    | See Contrast table (2) |
|      | 35  | PCB Holder           | ANG1807                | NSP  | 75  | PCB Holder          | See Contrast table (2) |
|      | 36  | Assy Holder          | See Contrast table (2) |      | 76  | Side Sash L         | See Contrast table (2) |
| NSP  | 37  | Sub Flame            | See Contrast table (2) |      | 77  | Screw               | See Contrast table (2) |
|      | 38  | Screw                | ABA – 298              |      | 78  | Screw (Steel)       | See Contrast table (2) |
| NSP  | 39  | Spacer               | AEB1254                |      | 79  | Side Board L        | See Contrast table (2) |
|      | 40  | Screw (Steel)        | ABA1006                |      | 80  | Side Board R        | See Contrast table (2) |
|      |     |                      |                        |      | 81  | Side Sash R         | See Contrast table (2) |

## VSX-D906S, VSX-07TX, VSX-09TX

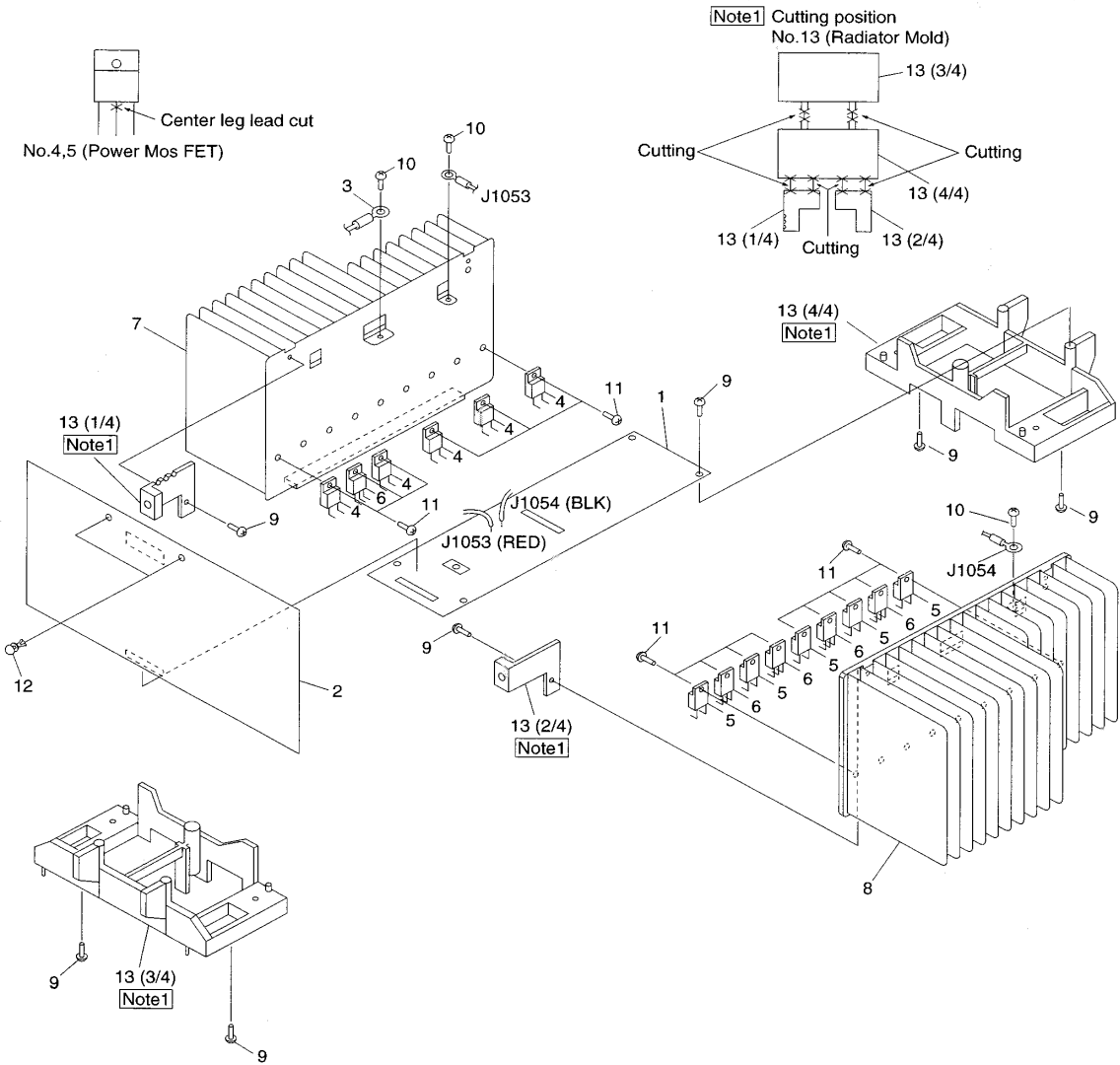
### (2) CONTRAST TABLE

VSX-D906S/KC, VSX-D906S/SD, VSX-07TX/KU/CA, VSX-09TX/KU/CA and VSX-D906S/KU have the same construction except for the following:

| Mark | No. | Symbol & Description                               | Part No.      |               |               |                 |                 | Remarks |
|------|-----|--|---------------|---------------|---------------|-----------------|-----------------|---------|
|      |     |  | VSX-D906S /KU | VSX-D906S /KC | VSX-D906S /SD | VSX-07TX /KU/CA | VSX-09TX /KU/CA |         |
| NSP  | 1   | AUDIO ASSY   | AWZ8763       | AWZ8763       | AWZ8763       | AWZ8718         | AWZ8762         |         |
|      | 2   | AUDIO/VIDEO ASSY                                   | AWZ8766       | AWZ8766       | AWZ8766       | AWZ8719         | AWZ8765         |         |
| NSP  | 3   | VIDEO ASSY   | AWZ8769       | AWZ8769       | AWZ8769       | AWZ8720         | AWZ8768         |         |
|      | 4   | PRE-OUT & SR ASSY                                  | AWZ8774       | AWZ8774       | AWZ8774       | AWZ8722         | AWZ8773         |         |
|      | 5   | S-VIDEO ASSY                                       | AWZ8808       | AWZ8808       | AWZ8808       | AWZ8721         | AWZ8771         |         |
| NSP  | 6   | SP TERMINAL ASSY                                   | AWZ8727       | AWZ8727       | AWZ8788       | AWZ8727         | AWZ8727         |         |
|      | 7   | PRIMARY ASSY                                       | AWZ8728       | AWZ8728       | AWZ8790       | AWZ8728         | AWZ8728         |         |
| NSP  | 9   | POWER SUPPLY ASSY                                  | AWZ8792       | AWZ8792       | AWZ8870       | AWZ8729         | AWZ8729         |         |
|      | 14  | E VR ASSY  | AWZ8786       | AWZ8786       | AWZ8733       | AWZ8733         | AWZ8733         |         |
|      | 18  | FM/AM TUNER MODULE                                 | AXQ7219       | AXQ7219       | AXQ1012       | AXQ7219         | AXQ7219         |         |
|      | 19  | LIMITTER ASSY                                      | Not used      | Not used      | AWK7406       | AWK7406         | AWK7406         |         |
|      | 21  | FU1 Fuse (10A)                                     | VEK1029       | VEK1029       | Not used      | VEK1029         | VEK1029         |         |
|      | 23  | T1 Power Transformer (AC120V)                      | ATS7172       | ATS7172       | Not used      | ATS7172         | ATS7172         |         |
|      | 23  | T1 Power Transformer (AC110V/120 - 127V/220V/240V) | Not used      | Not used      | ATS7173       | Not used        | Not used        |         |
|      | 28  | AC Power Cord                                      | PDG1015       | PDG1015       | PDG1056       | VDG1046         | VDG1046         |         |
| NSP  | 29  | Chassis  | ANA7058       | ANA7058       | ANA7058       | ANA7058         | ANA7061         |         |
|      | 30  | Rear Panel   | ANC7572       | ANC7572       | ANC7574       | ANC7573         | ANC7581         |         |
| NSP  | 31  | Bottom Plate                                       | ANF7004       | ANF7004       | ANF7004       | ANF7004         | ANF7006         |         |
|      | 36  | ASSY Holder  | ANG7121       | ANG7121       | ANG7121       | ANG7121         | ANG7139         |         |
| NSP  | 37  | Sub Flame  | ANG7137       | ANG7137       | ANG7137       | ANG7137         | ANG7138         |         |
|      | 54  | Cord Stopper                                       | AEP - 113     | AEP - 113     | AEC - 882     | ANG1153         | ANG1153         |         |
|      | 62  | Volume Knob  | AAB7125       | AAB7125       | AAB7125       | AAB7125         | AAB7127         |         |
|      | 63  | Bonnet Case  | AZN7678       | AZN7678       | AZN7678       | AZN7678         | AZN7679         |         |
|      | 68  | Screw  | FBT40P080FZK  | FBT40P080FZK  | FBT40P080FZK  | FBT40P080FZK    | Not used        |         |
|      | 72  | FU2, FU3 Fuse (T5A)                                | Not used      | Not used      | AEK1061       | Not used        | Not used        |         |
|      | 73  | Voltage Selector                                   | Not used      | Not used      | AKX - 507     | Not used        | Not used        |         |
|      | 74  | Voltage Selector                                   | Not used      | Not used      | AKX1004       | Not used        | Not used        |         |
| NSP  | 75  | PCB Holder   | Not used      | Not used      | PNW2100       | PNW2100         | PNW2100         |         |
|      | 76  | Side Sash L  | Not used      | Not used      | Not used      | Not used        | AAP7035         |         |
|      | 77  | Screw  | Not used      | Not used      | Not used      | Not used        | ABA1086         |         |
|      | 78  | Screw (Steel)                                      | Not used      | Not used      | Not used      | Not used        | AEC1165         |         |
|      | 79  | Side Board L                                       | Not used      | Not used      | Not used      | Not used        | AMS7009         |         |
|      | 80  | Side Board R                                       | Not used      | Not used      | Not used      | Not used        | AMS7010         |         |
|      | 81  | Side Sash R  | Not used      | Not used      | Not used      | Not used        | AAP7036         |         |

# VSX-D906S, VSX-07TX, VSX-09TX

## 2.3 RADIATOR ASSY (POWER AMP ASSY)





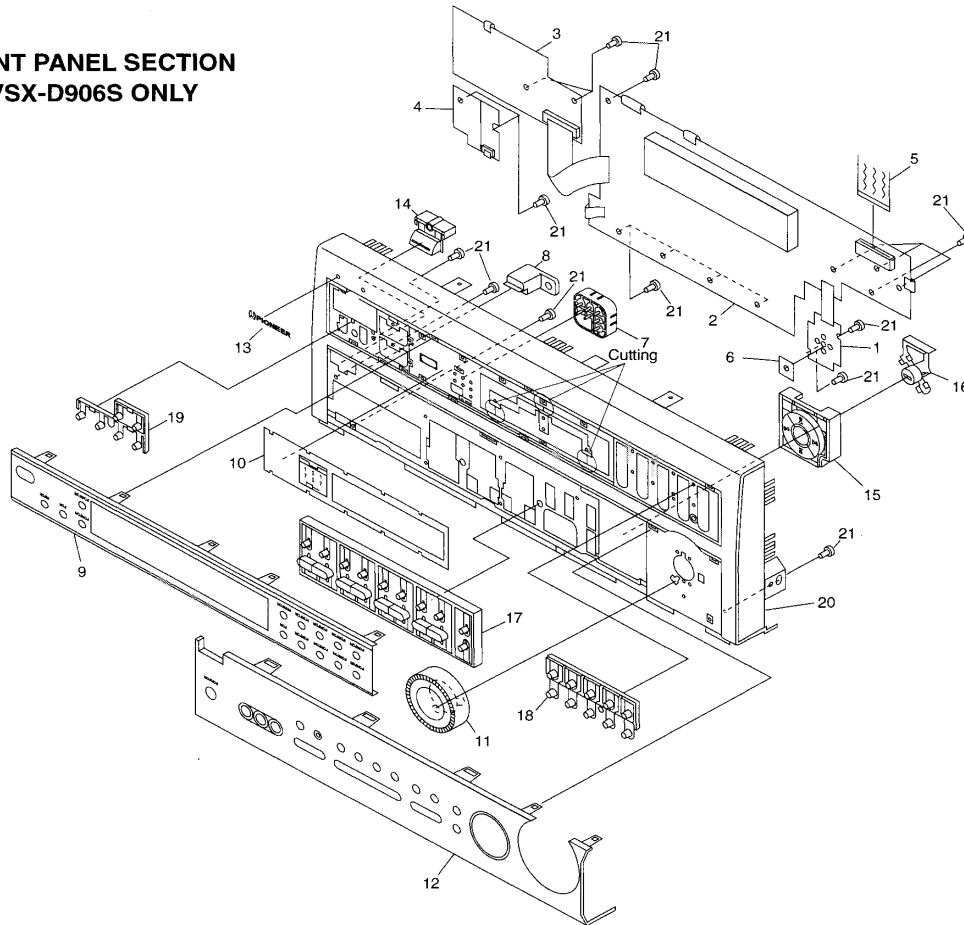
# VSX-D906S, VSX-07TX, VSX-09TX

## • PARTS LIST

| Mark | No. | Description                              | Parts No. |
|------|-----|--|-----------|
|      | 1   | CURR DRIVE ASSY                          | AWZ8717   |
|      | 2   | VOLTAGE AMP ASSY<br>(KU AND KC TYPES)    | AWZ8776   |
|      | 2   | VOLTAGE AMP ASSY<br>(SD AND KU/CA TYPES) | AWZ8716   |
|      | 3   | TH901 Thermistor                         | AEX7004   |
| △    | 4   | Q41 – Q45 Power Mos FET                  | IRF540    |
| △    | 5   | Q51 – Q55 Power Mos FET                  | IRF9540   |
| △    | 6   | Q21, Q22, Q31 – Q33 Transistor           | 2SC4793   |
| NSP  | 7   | Radiator                                 | ANH7054   |
| NSP  | 8   | Radiator                                 | ANH7061   |
|      | 9   | Screw                                    | ABA – 298 |
|      | 10  | Screw                                    | ABA1054   |
|      | 11  | Screw (Steel)                            | ABA1194   |
|      | 12  | Rivet                                    | AEC – 441 |
|      | 13  | Radiator Mold                            | AMR7173   |

# VSX-D906S, VSX-07TX, VSX-09TX

## 2.4 FRONT PANEL SECTION For VSX-D906S ONLY



### (1) PARTS LIST

| Mark No. | Description       | Parts No.              | Mark No. | Description     | Parts No.              |
|----------|-------------------|------------------------|----------|-----------------|------------------------|
| NSP 1    | KEY ASSY          | AWZ8724                | 11       | Volume Ring     | See Contrast table (2) |
| NSP 2    | FL-UCOM ASSY      | See Contrast table (2) | 12       | Center Panel    | AMB7432                |
| NSP 3    | RMC ASSY          | See Contrast table (2) | 13       | Name Plate      | VAM1032                |
| NSP 4    | POWER SWITCH ASSY | AWZ8784                | 14       | Power Button    | AAD7377                |
| 5        | FFC 29P           | ADD7060                | 15       | 5-Action Button | AAD7378                |
| 6        | Himelon Sheet     | AED7019                | 16       | Enter Button    | AAD7379                |
| 7        | LED Lens          | AAK7377                | 17       | Regular Button  | AAD7380                |
| 8        | Standby Lens      | AAK7378                | 18       | Function Button | AAD7381                |
| 9        | Display Panel     | See Contrast table (2) | 19       | Input Button    | AAD7382                |
| 10       | FL Filter         | AAK7382                | 20       | Front Panel     | AMB7433                |
|          |                   |                        | 21       | Screw           | BPZ30P080FMC           |

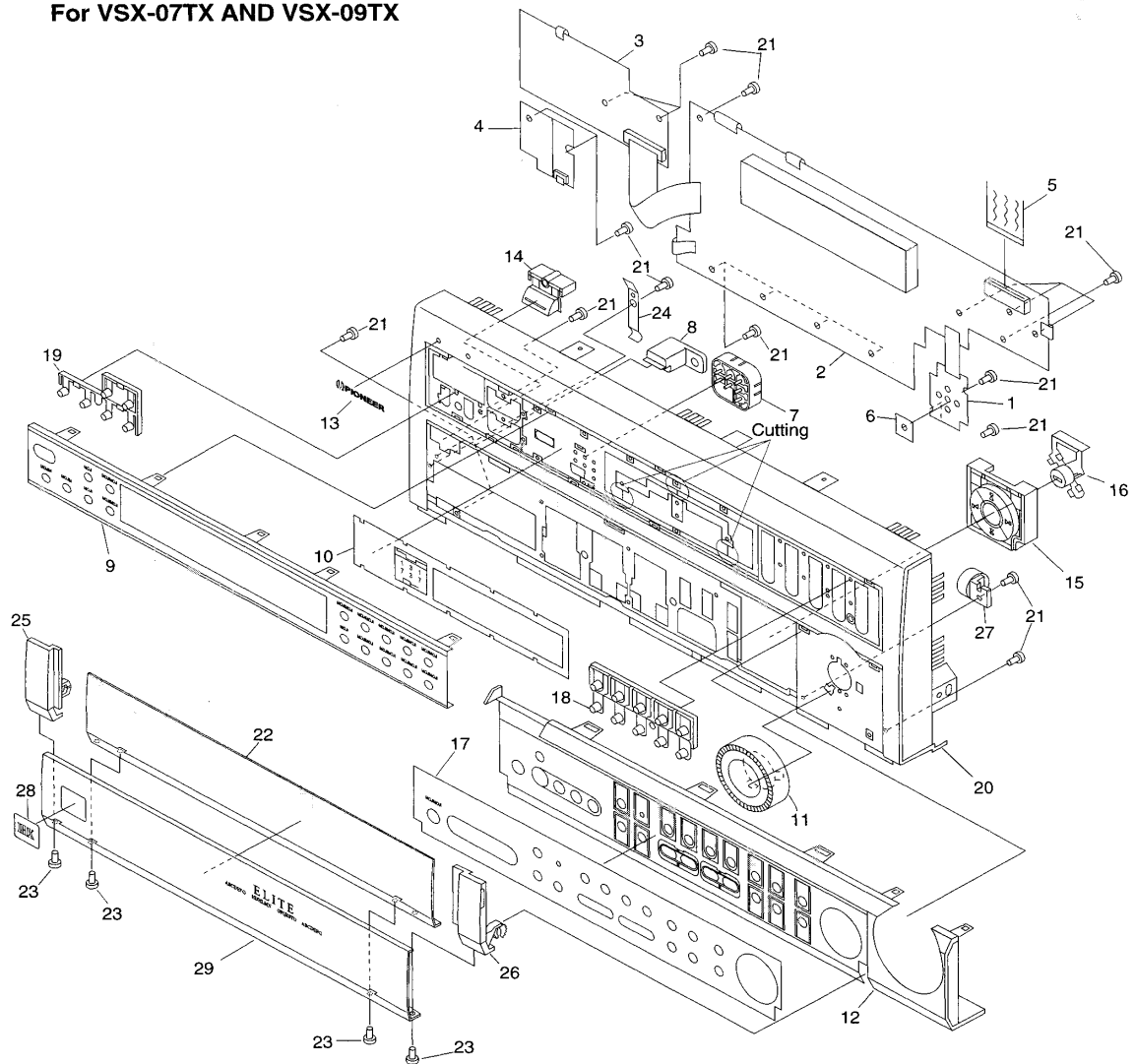
### (2) CONTRAST TABLE

VSX-D906S/KC, VSX-D906S/SD and VSX-D906S/KU have the same construction except for the following:

| Mark | No. | Symbol & Description | Part No.     |              |              | Remarks |
|------|-----|----------------------|--------------|--------------|--------------|---------|
|      |     |                      | VSX-D906S/KU | VSX-D906S/KC | VSX-D906S/SD |         |
| NSP  | 2   | FL-UCOM ASSY         | AWZ8779      | AWZ8779      | AWZ8868      |         |
|      | 3   | RMC ASSY             | AWZ8782      | AWZ8782      | AWZ8869      |         |
|      | 9   | Display Panel        | AAK7380      | AAK7380      | AAK7423      |         |
|      | 11  | Volume Ring          | AAK7383      | AAK7383      | AAK7384      |         |

# VSX-D906S, VSX-07TX, VSX-09TX

For VSX-07TX AND VSX-09TX



## - PARTS LIST

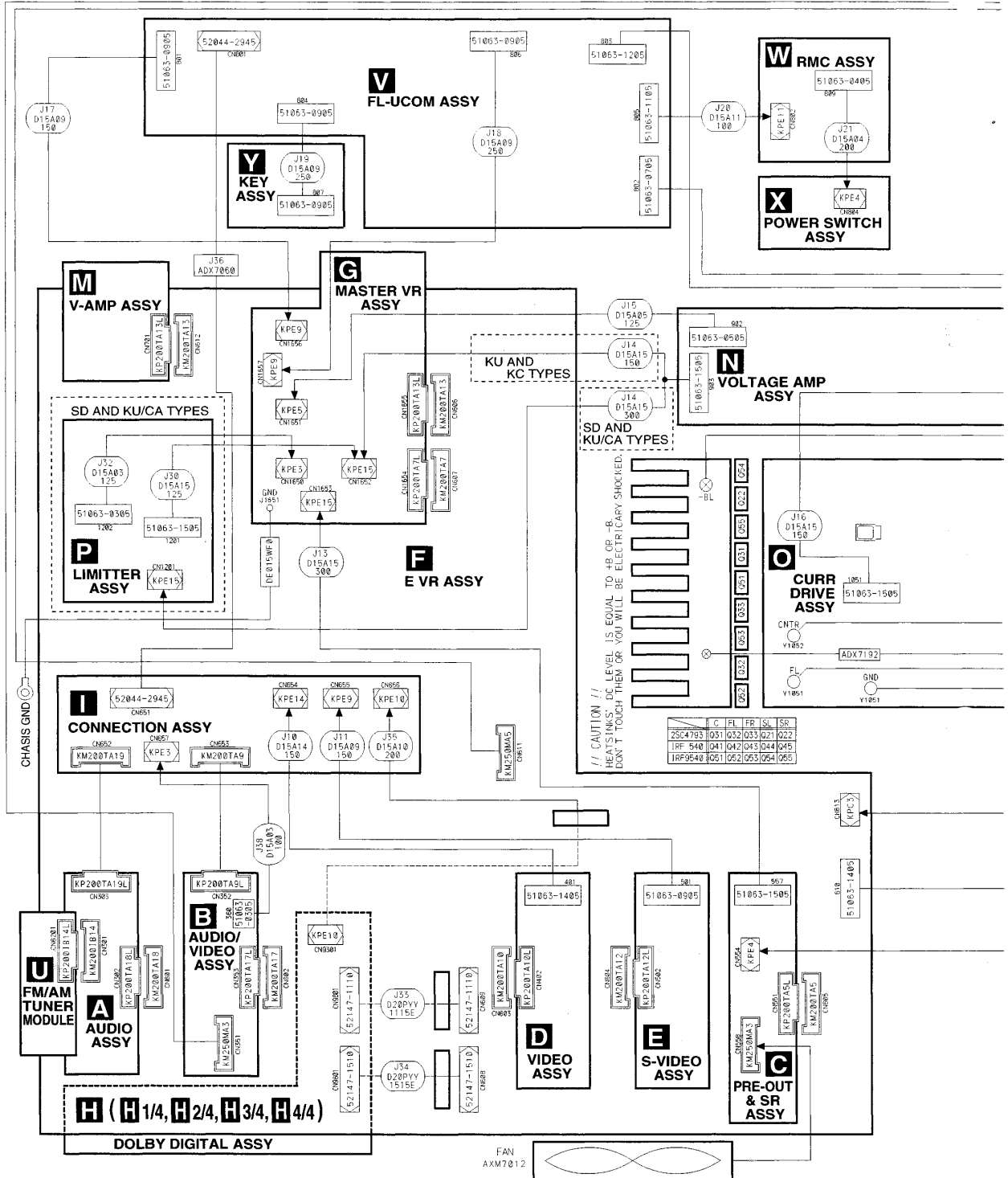
| Mark | No. | Description       | Parts No. | Mark | No.                    | Description  | Parts No. |
|------|-----|-------------------|-----------|------|------------------------|--------------|-----------|
| NSP  | 1   | KEY ASSY          | AWZ8724   | 16   | Enter Button           | AAD7379      |           |
| NSP  | 2   | FL-UCOM ASSY      | AWZ8723   | 17   | PVC Panel              | AAK7385      |           |
| NSP  | 3   | RMC ASSY          | AWZ8725   | 18   | Function Button        | AAD7381      |           |
| NSP  | 4   | POWER SWITCH ASSY | AWZ8784   | 19   | Input Button           | AAD7382      |           |
|      | 5   | FFC 29P           | ADD7060   | 20   | Front Panel (VSX-07TX) | AMB7434      |           |
|      | 6   | Himelon Sheet     | AED7019   | 20   | Front Panel (VSX-09TX) | AMB7436      |           |
|      | 7   | LED Lens          | AAK7377   | 21   | Screw                  | BPZ30P080FMC |           |
|      | 8   | Standby Lens      | AAK7378   | 22   | Door Plate             | ANG7129      |           |
|      | 9   | Display Panel     | AAK7379   | 23   | Screw                  | ABA7023      |           |
|      | 10  | FL Filter         | AAK7381   | 24   | Spring                 | ABK7012      |           |
|      | 11  | Volume Ring       | AAK7384   | 25   | Door Hinge L           | AMR7174      |           |
|      | 12  | Sub Panel         | AMB7437   | 26   | Door Hinge R           | AMR7175      |           |
|      | 13  | Name Plate        | VAM1032   | 27   | Damper Assy            | AXA1008      |           |
|      | 14  | Power Button      | AAD7377   | 28   | THX Badge              | AAM7003      |           |
|      | 15  | 5-Action Button   | AAD7378   | 29   | Door Panel             | AMB7438      |           |

# VSX-D906S, VSX-07TX, VSX-09TX

## 3. SCHEMATIC DIAGRAM

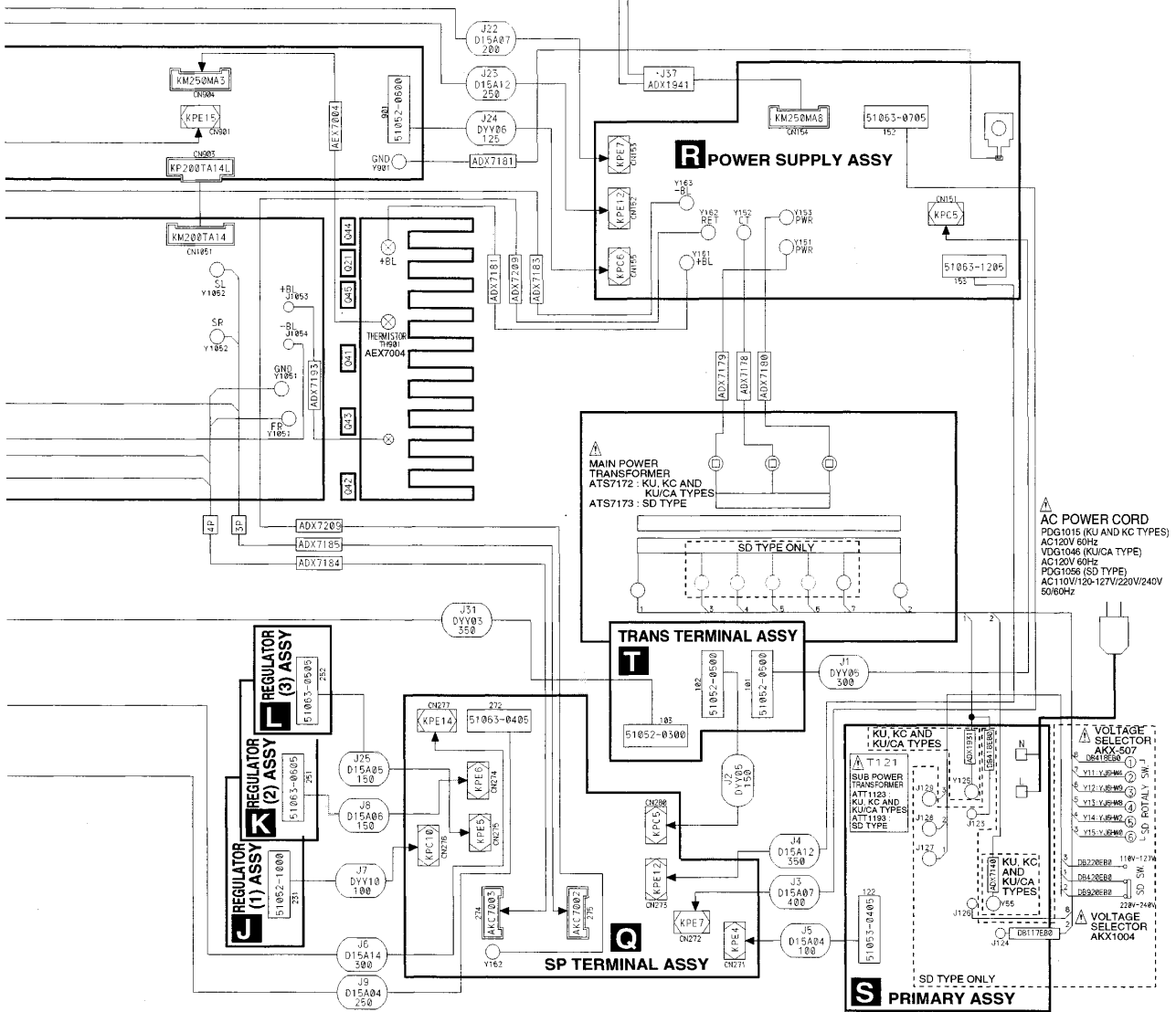
Note : When ordering service parts, be sure to refer to "EXPLODED VIEWS and PARTS LIST" or "PCB PARTS LIST"

### 3.1 OVERALL CONNECTION DIAGRAM



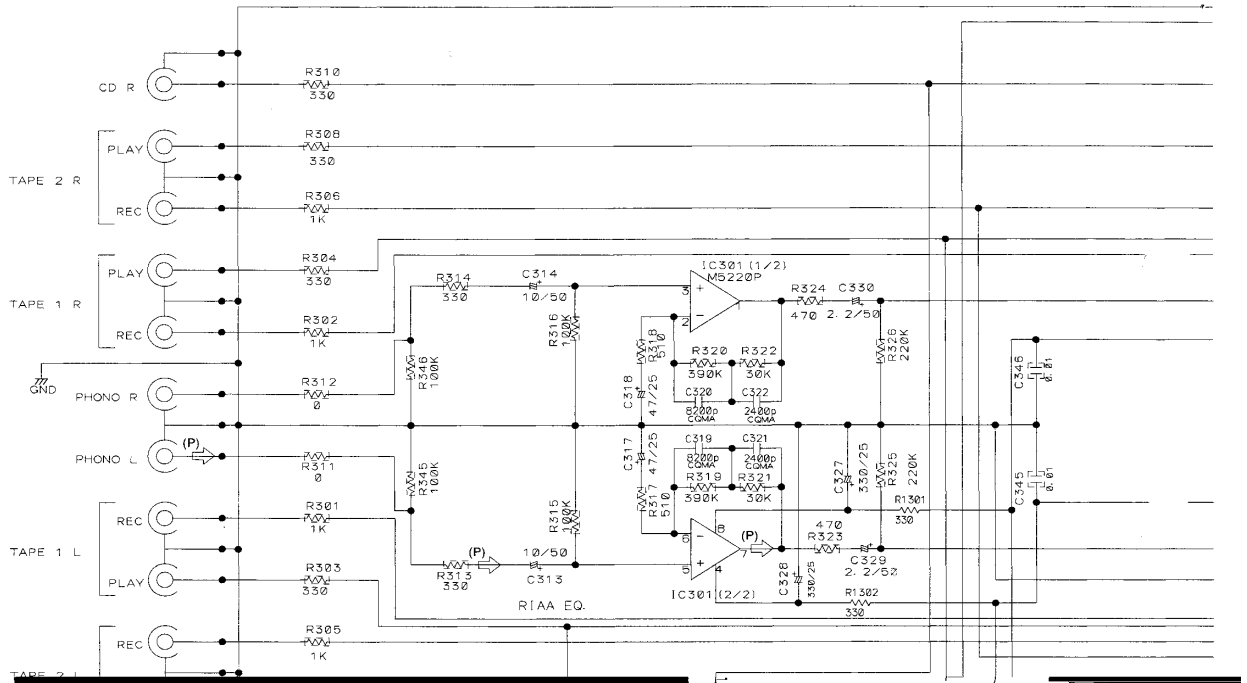
# VSX-D906S, VSX-07TX, VSX-09TX

|          | VSX-D906S<br>KU AND KC | VSX-D906S<br>/SD | VSX-07TX<br>/KU/CA | VSX-09TX<br>/KU/CA |         | VSX-D906S<br>KU AND KC | VSX-D906S<br>/SD    | VSX-07TX<br>/KU/CA | VSX-09TX<br>/KU/CA |         |
|----------|------------------------|------------------|--------------------|--------------------|---------|------------------------|---------------------|--------------------|--------------------|---------|
| <b>A</b> | AUDIO ASSY             | AWZ8763          | AWZ8763            | AWZ8718            | AWZ8762 | <b>N</b>               | VOLTAGE AMP ASSY    | AWZ8776            | AWZ8716            | AWZ8716 |
| <b>B</b> | AUDIO/VIDEO ASSY       | AWZ8766          | AWZ8766            | AWZ8719            | AWZ8765 | <b>O</b>               | CURR DRIVE ASSY     | AWZ8717            | AWZ8717            | AWZ8717 |
| <b>C</b> | PRE-OUT & SR ASSY      | AWZ8774          | AWZ8774            | AWZ8722            | AWZ8773 | <b>P</b>               | LIMITTER ASSY       | Not Used           | AWK7406            | AWK7406 |
| <b>D</b> | VIDEO ASSY             | AWZ8769          | AWZ8769            | AWZ8720            | AWZ8768 | <b>Q</b>               | SP TERMINAL ASSY    | AWZ8727            | AWZ8788            | AWZ8727 |
| <b>E</b> | S-VIDEO ASSY           | AWZ8808          | AWZ8808            | AWZ8721            | AWZ8771 | <b>R</b>               | POWER SUPPLY ASSY   | AWZ8792            | AWZ8870            | AWZ8729 |
| <b>F</b> | E VR ASSY              | AWZ8786          | AWZ8733            | AWZ8733            | AWZ8733 | <b>S</b>               | PRIMARY ASSY        | AWZ8728            | AWZ8790            | AWZ8728 |
| <b>G</b> | MASTER VR ASSY         | AWZ8734          | AWZ8734            | AWZ8734            | AWZ8734 | <b>T</b>               | TRANS TERMINAL ASSY | AWZ8730            | AWZ8730            | AWZ8730 |
| <b>H</b> | DOLBY DIGITAL ASSY     | AWX7038          | AWX7038            | AWX7038            | AWX7038 | <b>U</b>               | FM/AM TUNER MODULE  | AXQ7219            | AXQ1012            | AXQ7219 |
| <b>I</b> | CONNECTION ASSY        | AWZ8732          | AWZ8732            | AWZ8732            | AWZ8732 | <b>V</b>               | FL-UCOM ASSY        | AWZ8779            | AWZ8868            | AWZ8723 |
| <b>J</b> | REGULATOR (1) ASSY     | AWZ8735          | AWZ8735            | AWZ8735            | AWZ8735 | <b>W</b>               | RMC ASSY            | AWZ8782            | AWZ8869            | AWZ8725 |
| <b>K</b> | REGULATOR (2) ASSY     | AWZ8736          | AWZ8736            | AWZ8736            | AWZ8736 | <b>X</b>               | POWER SWITCH ASSY   | AWZ8784            | AWZ8784            | AWZ8784 |
| <b>L</b> | REGULATOR (3) ASSY     | AWZ8819          | AWZ8819            | AWZ8819            | AWZ8819 | <b>Y</b>               | KEY ASSY            | AWZ8724            | AWZ8724            | AWZ8724 |
| <b>M</b> | V-AMP ASSY             | AWZ8874          | AWZ8874            | AWZ8874            | AWZ8874 |                        |                     |                    |                    |         |



# VSX-D906S, VSX-07TX, VSX-09TX

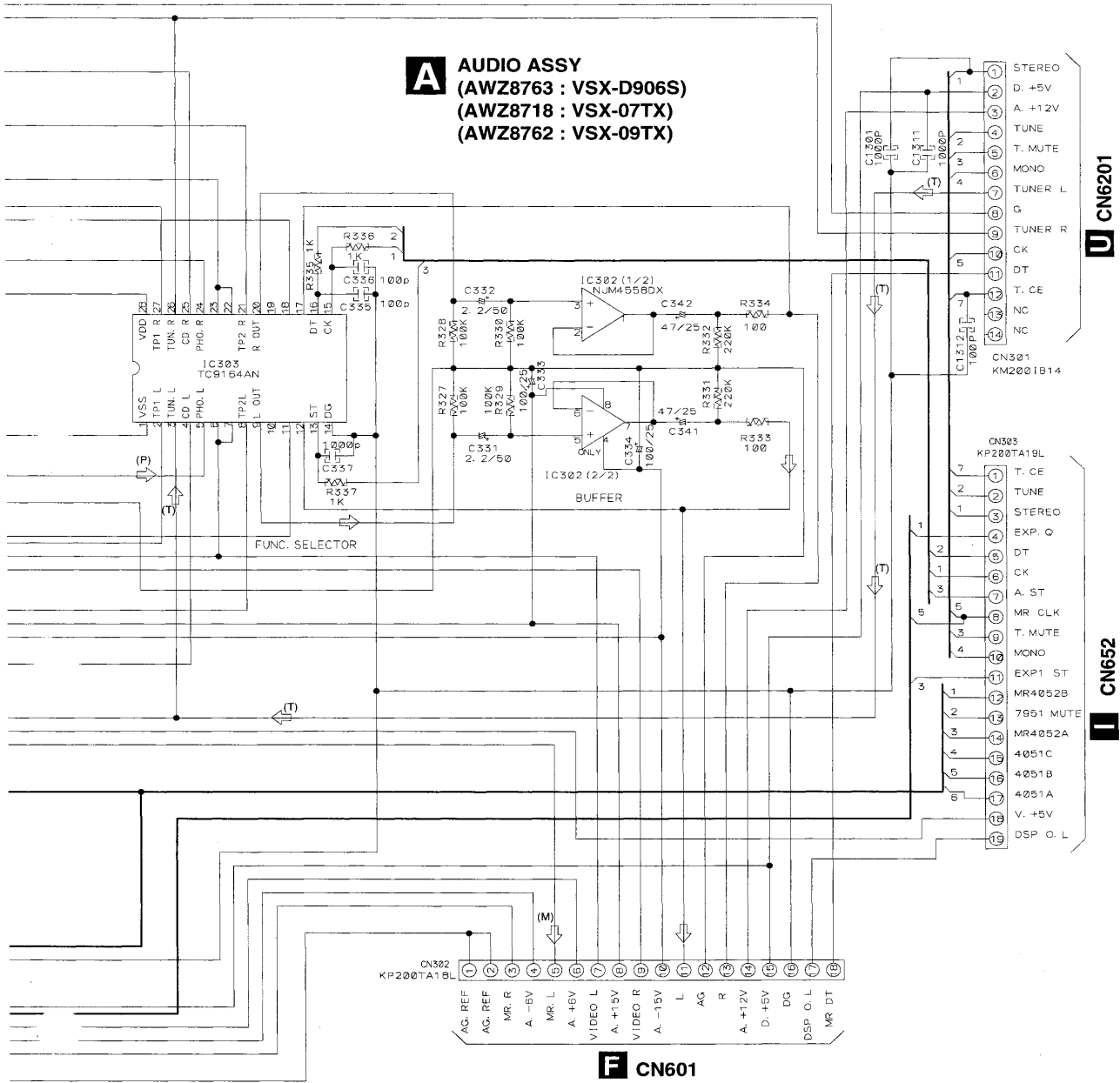
## 3.2 AUDIO ASSY



# VSX-D906S, VSX-07TX, VSX-09TX

- NOTED
- RESISTORS  
Indicated in ohm  $\frac{1}{4}W$   $\pm 5\%$  tolerance unless otherwise noted. K: Kohm, M: Mohm, R: Chip Resistor
  - CAPACITORS  
Indicated in capacity (uF) / voltage (V) unless otherwise noted. Electrolytic capacitor.  $\square$  Chip Capacitor

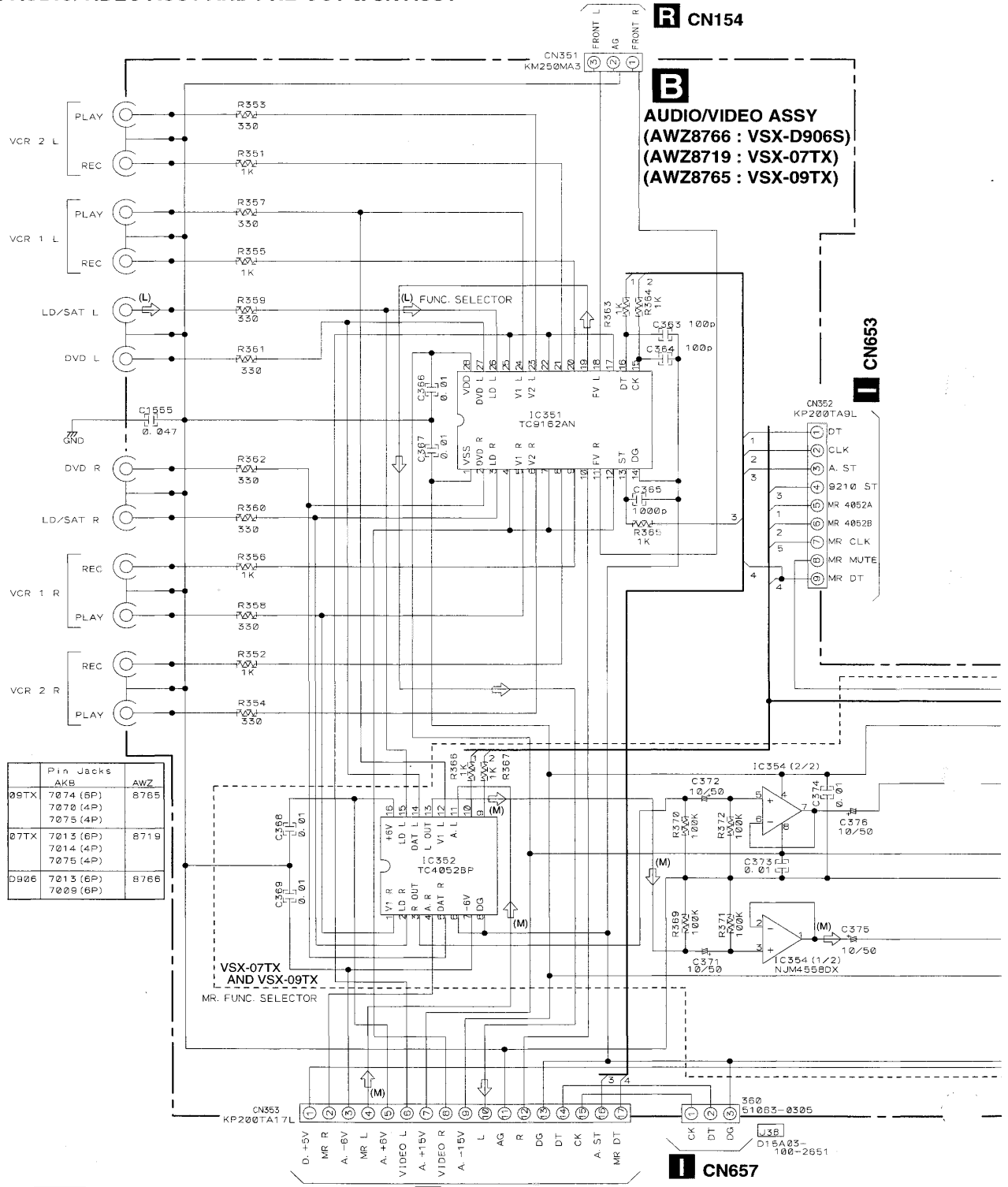
- $\rightarrow$  : AUDIO SIGNAL ROUTE  
 (P)  $\rightarrow$  : AUDIO SIGNAL ROUTE (PHONO)  
 (T)  $\rightarrow$  : AUDIO SIGNAL ROUTE (TUNER)  
 (M)  $\rightarrow$  : AUDIO SIGNAL ROUTE (MROUT)



**A**

# VSX-D906S, VSX-07TX, VSX-09TX

## 3.3 AUDIO/VIDEO ASSY AND PRE-OUT & SR ASSY



|      | Pin Jacks | AWZ  |
|------|-----------|------|
|      | AKB       |      |
| 09TX | 7074 (6P) | 8765 |
|      | 7070 (4P) |      |
|      | 7075 (4P) |      |
| 07TX | 7013 (6P) | 8719 |
|      | 7014 (4P) |      |
|      | 7075 (4P) |      |
| D906 | 7013 (6P) | 8766 |
|      | 7009 (6P) |      |



**F** CN602

**I** CN657

**R** CN154

**B**  
AUDIO/VIDEO ASSY  
(AWZ8766 : VSX-D906S)  
(AWZ8719 : VSX-07TX)  
(AWZ8765 : VSX-09TX)

**I** CN653

CN352  
KP220TA9L

- 1 DT
- 2 CLK
- 3 A. ST
- 4 S210 ST
- 5 MR 4052A
- 6 MR 4052B
- 7 MR CLK
- 8 MR MUTE
- 9 MR DT

VSX-07TX  
AND VSX-09TX

MR. FUNC. SELECTOR

CN353  
KP220TA17L

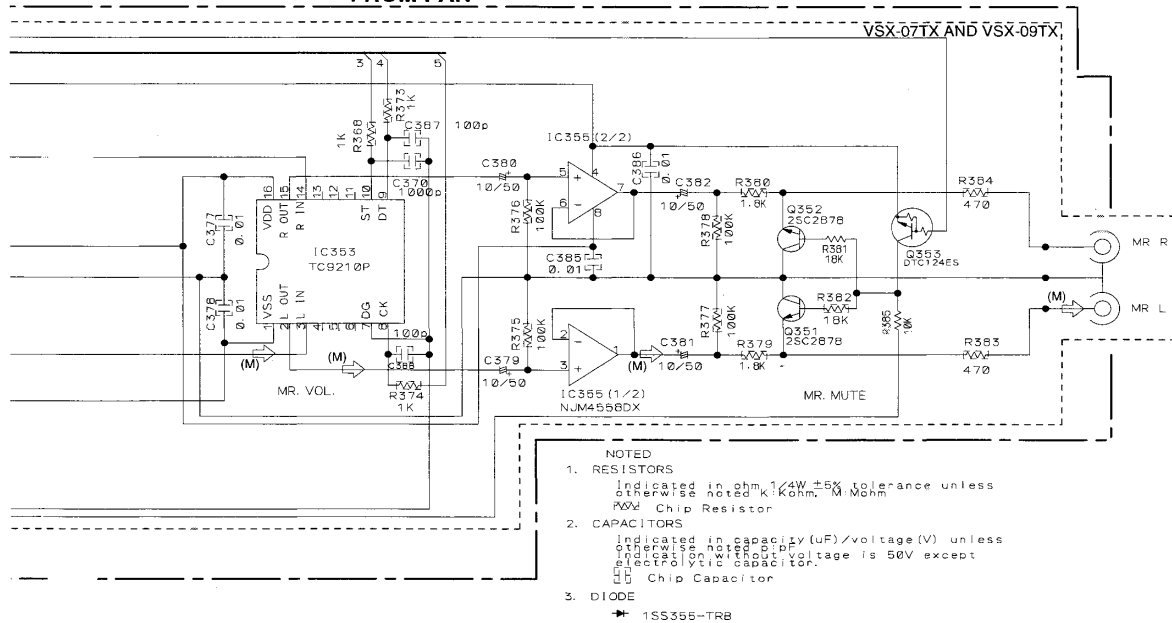
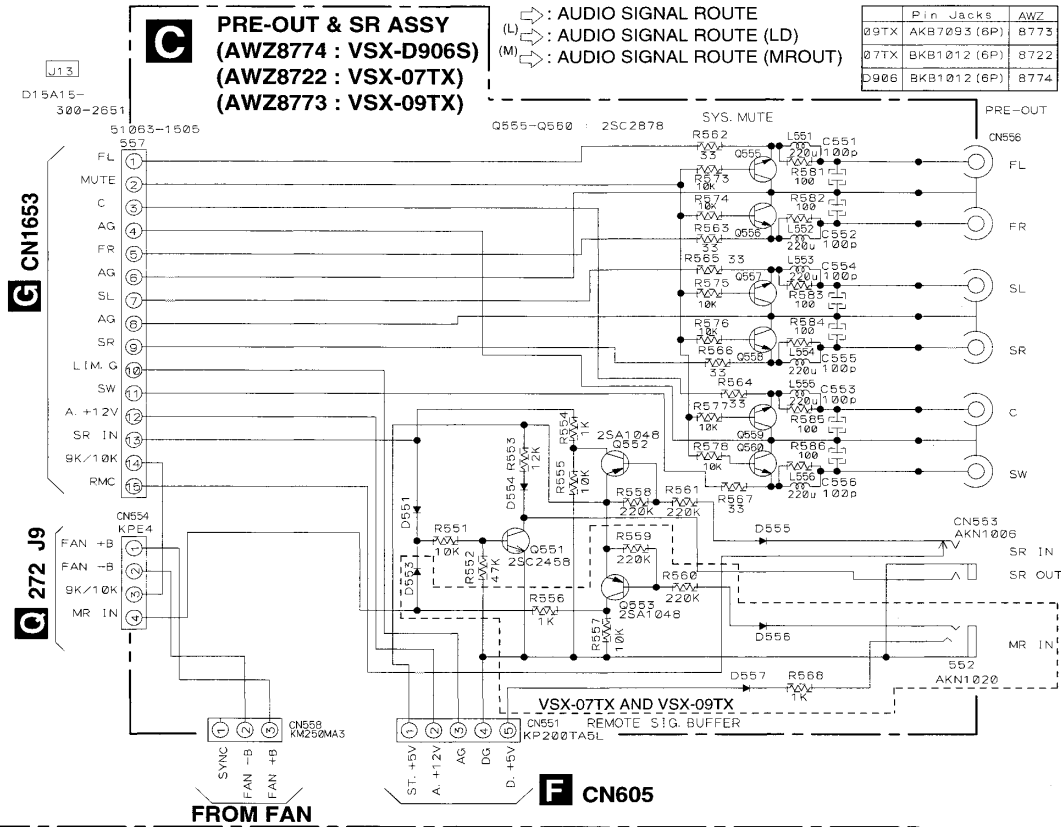
- 1 D. +5V
- 2 MR R
- 3 A. -6V
- 4 MR L
- 5 A. +6V
- 6 VIDEO L
- 7 A. +15V
- 8 VIDEO R
- 9 A. -15V
- 10 L
- 11 R
- 12 AG
- 13 DG
- 14 DT
- 15 CK
- 16 A. ST
- 17 MR DT

CN350  
51063-0305

D15A03-  
100-2651



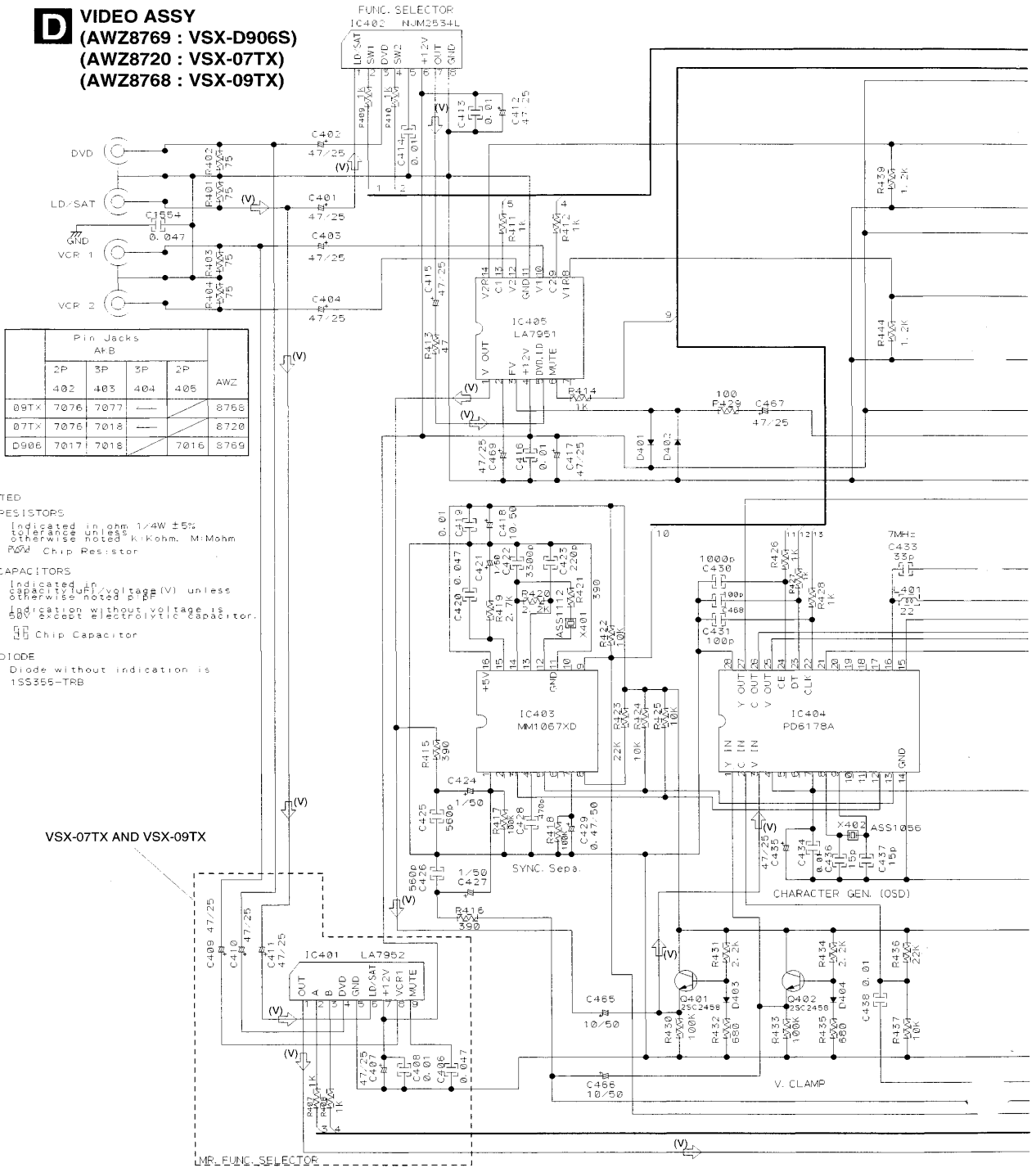
# VSX-D906S, VSX-07TX, VSX-09TX



# VSX-D906S, VSX-07TX, VSX-09TX

## 3.4 VIDEO ASSY

**D VIDEO ASSY**  
 (AWZ8769 : VSX-D906S)  
 (AWZ8720 : VSX-07TX)  
 (AWZ8768 : VSX-09TX)



|      | Pin Jacks |      |      |      | AWZ  |
|------|-----------|------|------|------|------|
|      | 2P        | 3P   | 3P   | 2P   |      |
| 09TX | 7076      | 7077 | 7018 | 7016 | 8768 |
| 07TX | 7076      | 7018 |      |      | 8720 |
| D906 | 7017      | 7018 |      |      | 8769 |

**NOTED**

**1. RESISTORS**

Indicated in ohm 1/4W ±5%  
 tolerance  
 otherwise noted  
 k Kohm, M Mohm  
 Chip Resistor

**2. CAPACITORS**

Indicated in µF unless  
 otherwise noted  
 otherwise noted  
 indication without voltage is  
 50V except electrolytic capacitor.  
 Chip Capacitor

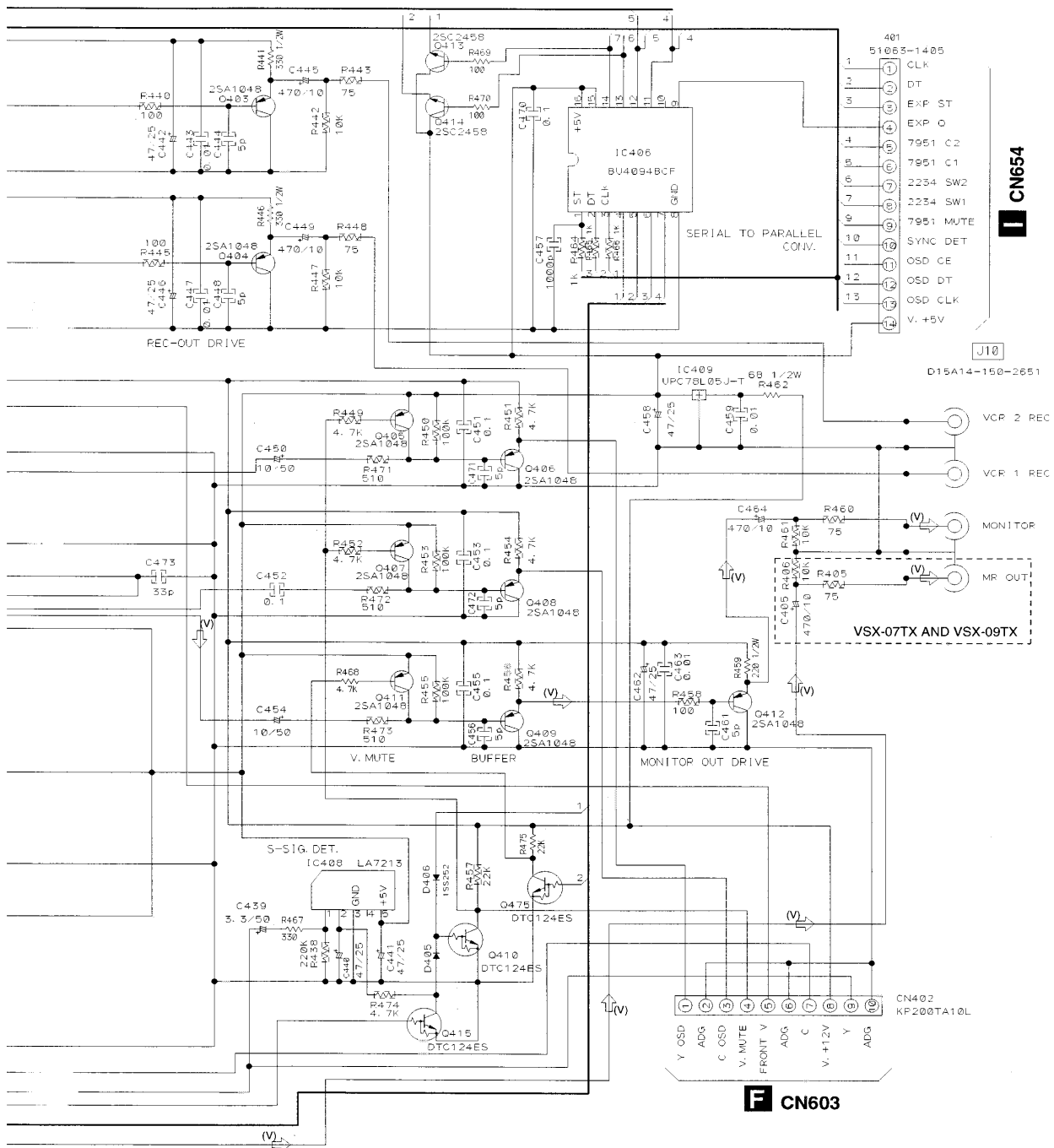
**3. DIODE**

Diode without indication is  
 1SS355-TRB



# VSX-D906S, VSX-07TX, VSX-09TX

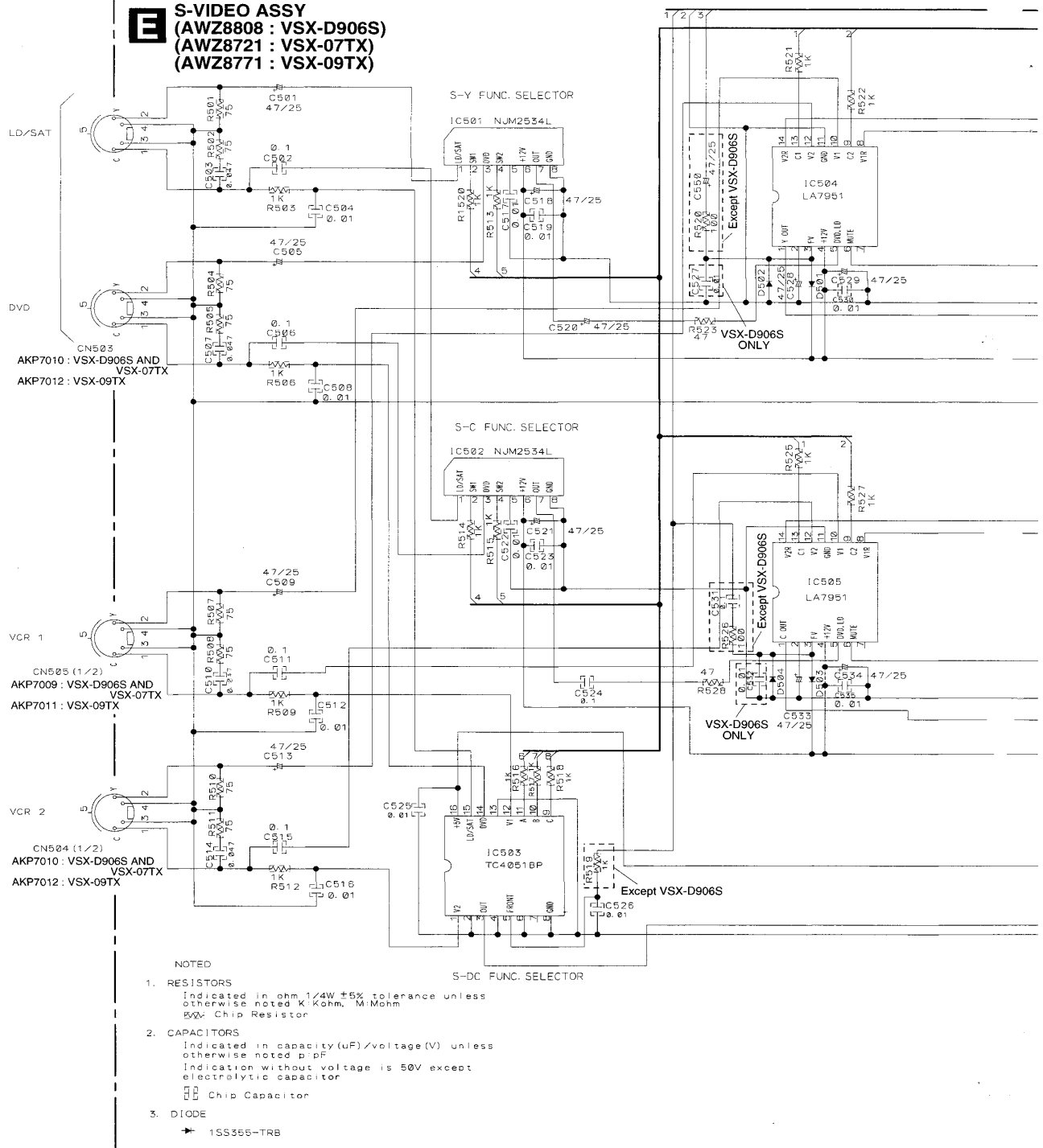
(V) VIDEO SIGNAL ROUTE



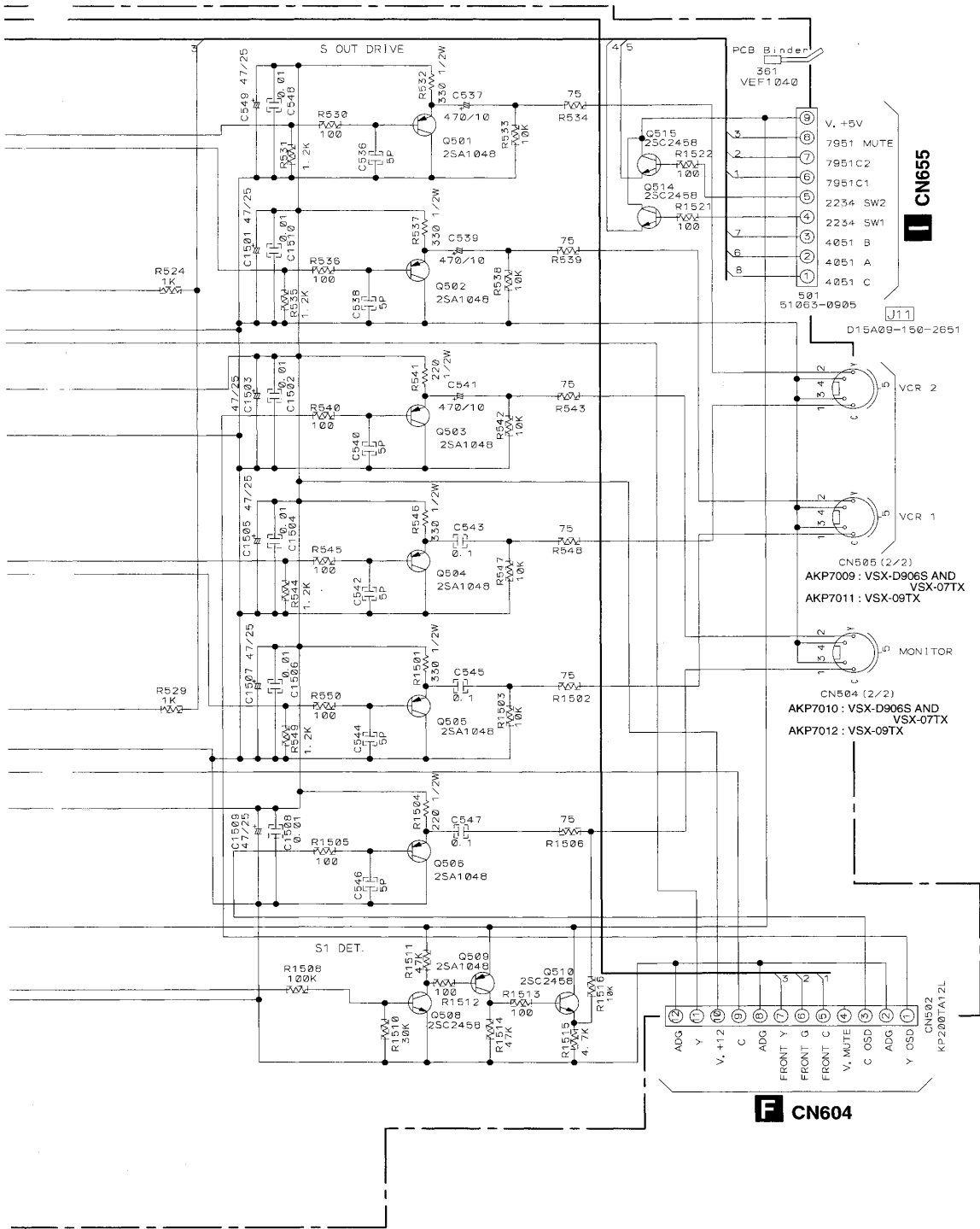
**D**

# VSX-D906S, VSX-07TX, VSX-09TX

## 3.5 S-VIDEO ASSY

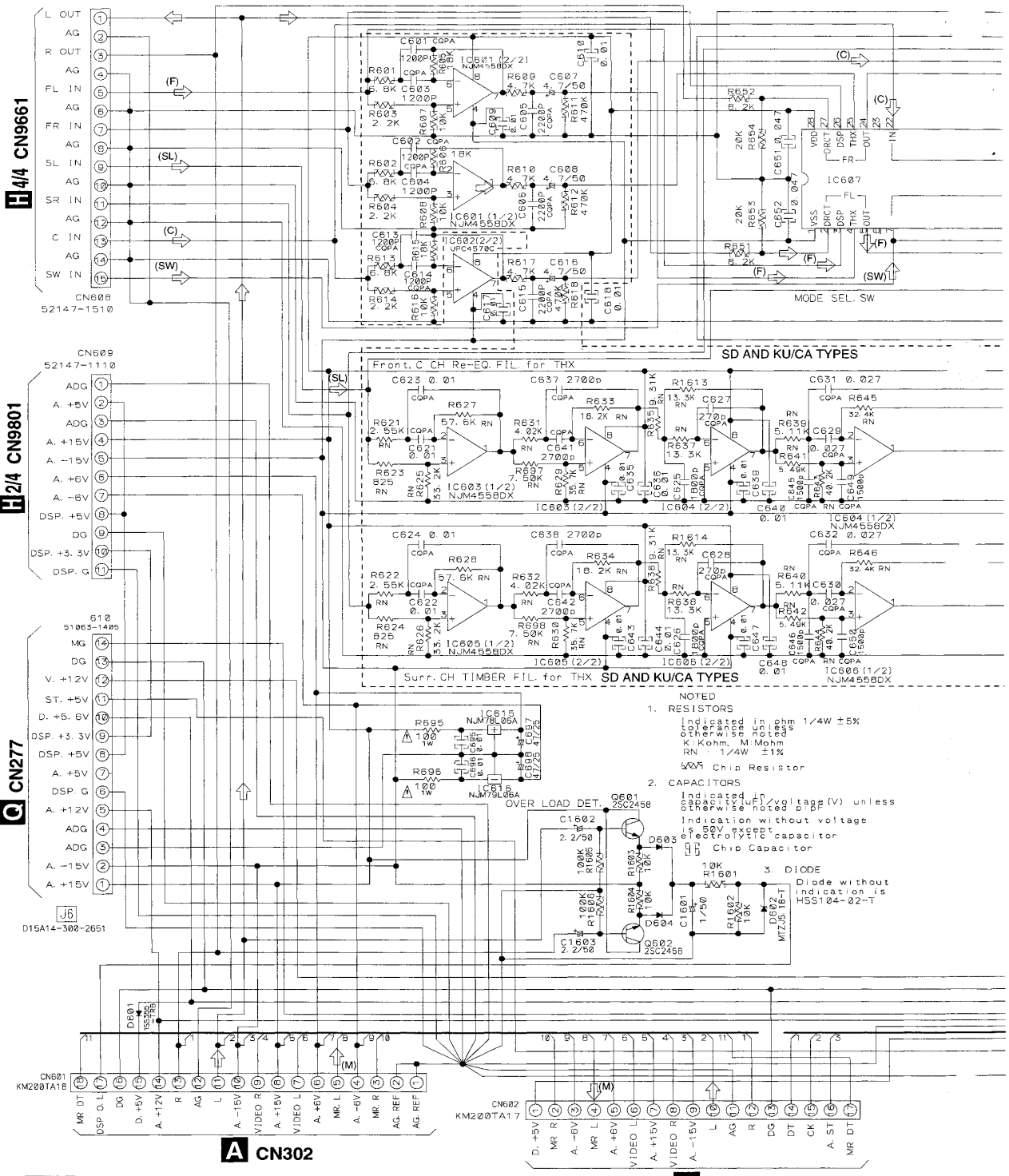


# VSX-D906S, VSX-07TX, VSX-09TX



# VSX-D906S, VSX-07TX, VSX-09TX

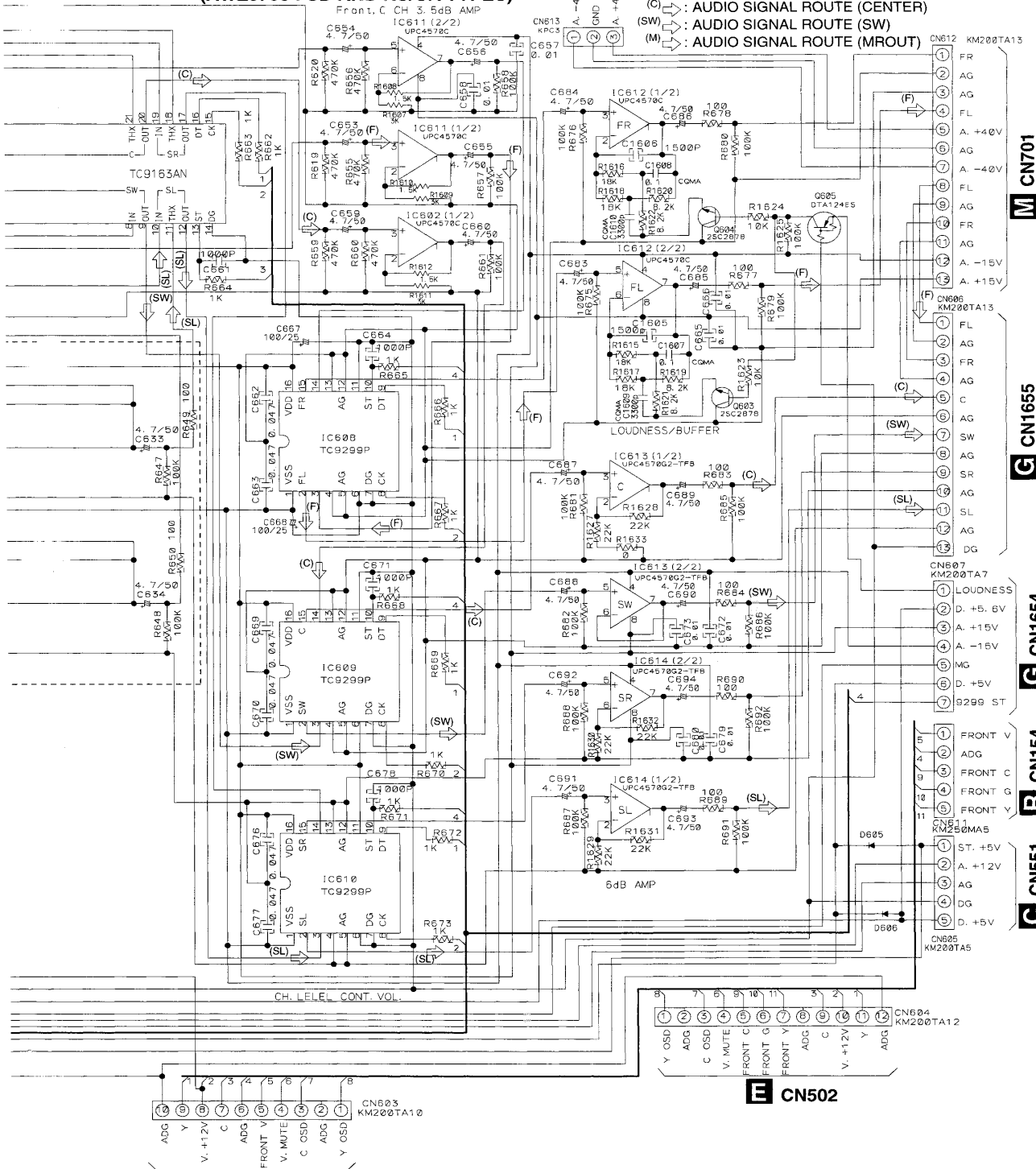
## 3.6 E VR ASSY



# VSX-D906S, VSX-07TX, VSX-09TX

**F** VR ASSY  
 (AWZ8786 : KU AND KC TYPES)  
 (AWZ8733 : SD AND KU/CA TYPES)

**T** 103 J31 (F) : AUDIO SIGNAL ROUTE  
 (SL) : AUDIO SIGNAL ROUTE (FRONT)  
 (C) : AUDIO SIGNAL ROUTE (CENTER)  
 (SW) : AUDIO SIGNAL ROUTE (SW)  
 (M) : AUDIO SIGNAL ROUTE (MROUT)



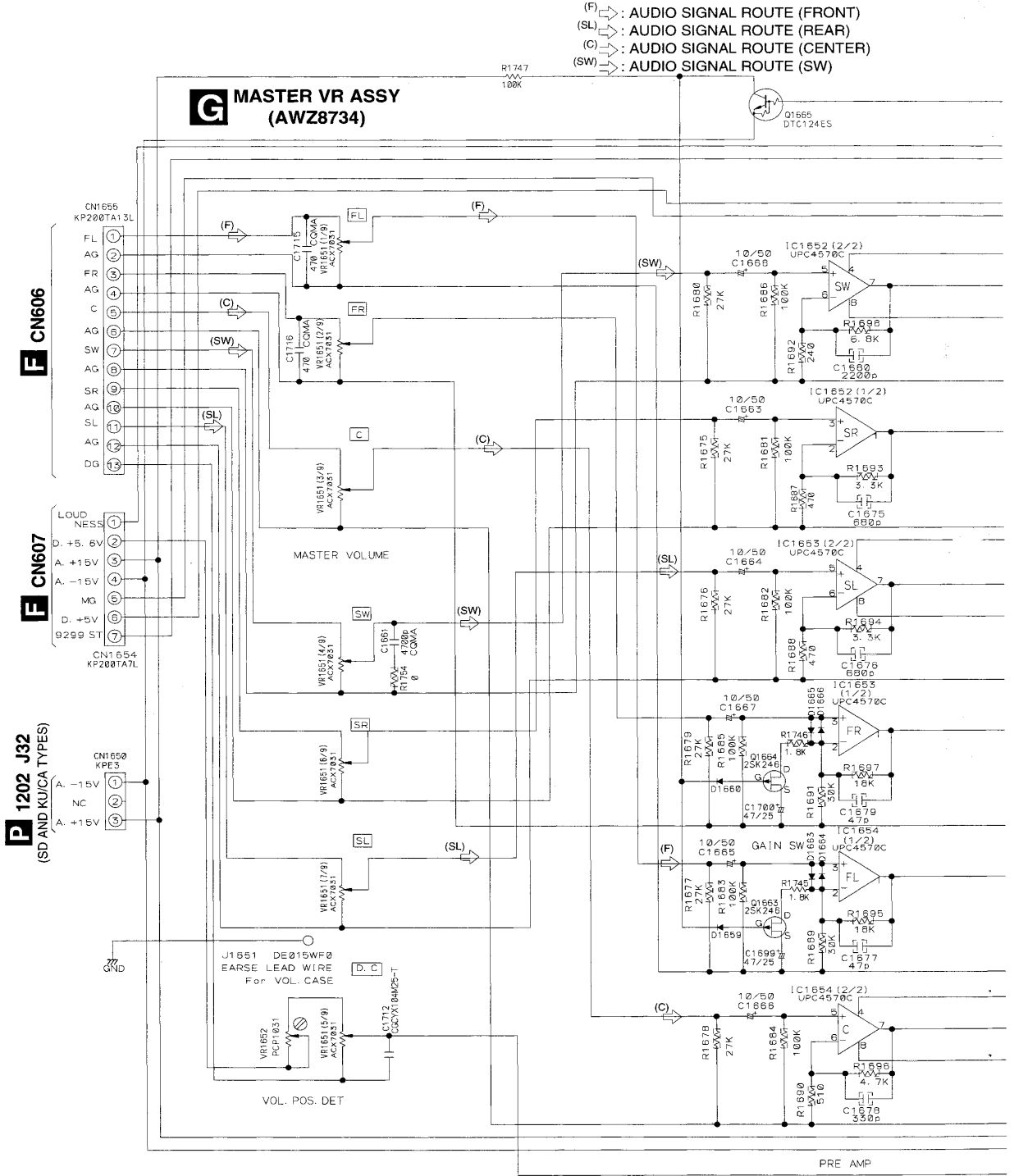
**D** CN402

**E** CN502

**F**

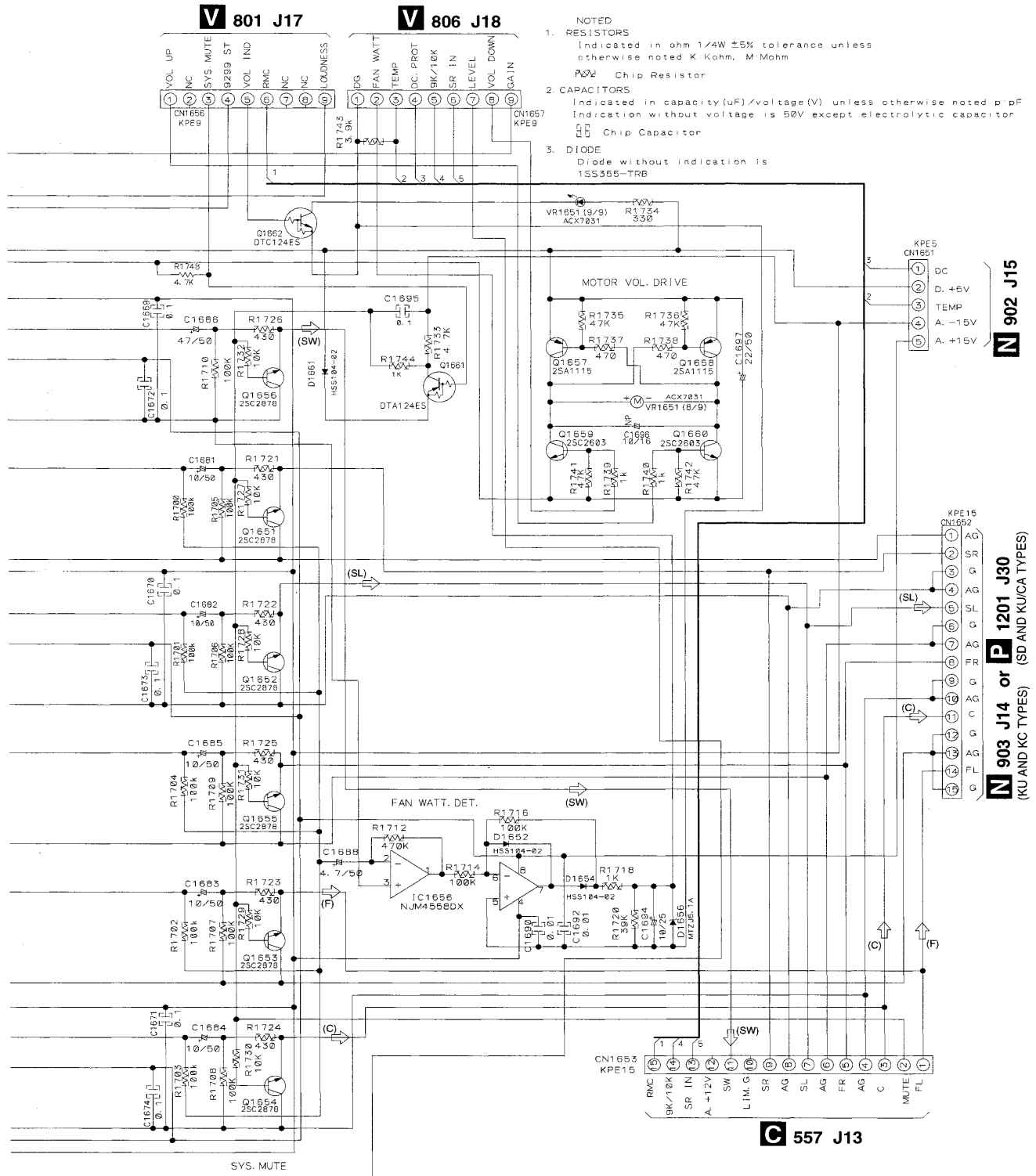
# VSX-D906S, VSX-07TX, VSX-09TX

## 3.7 MASTER VR ASSY





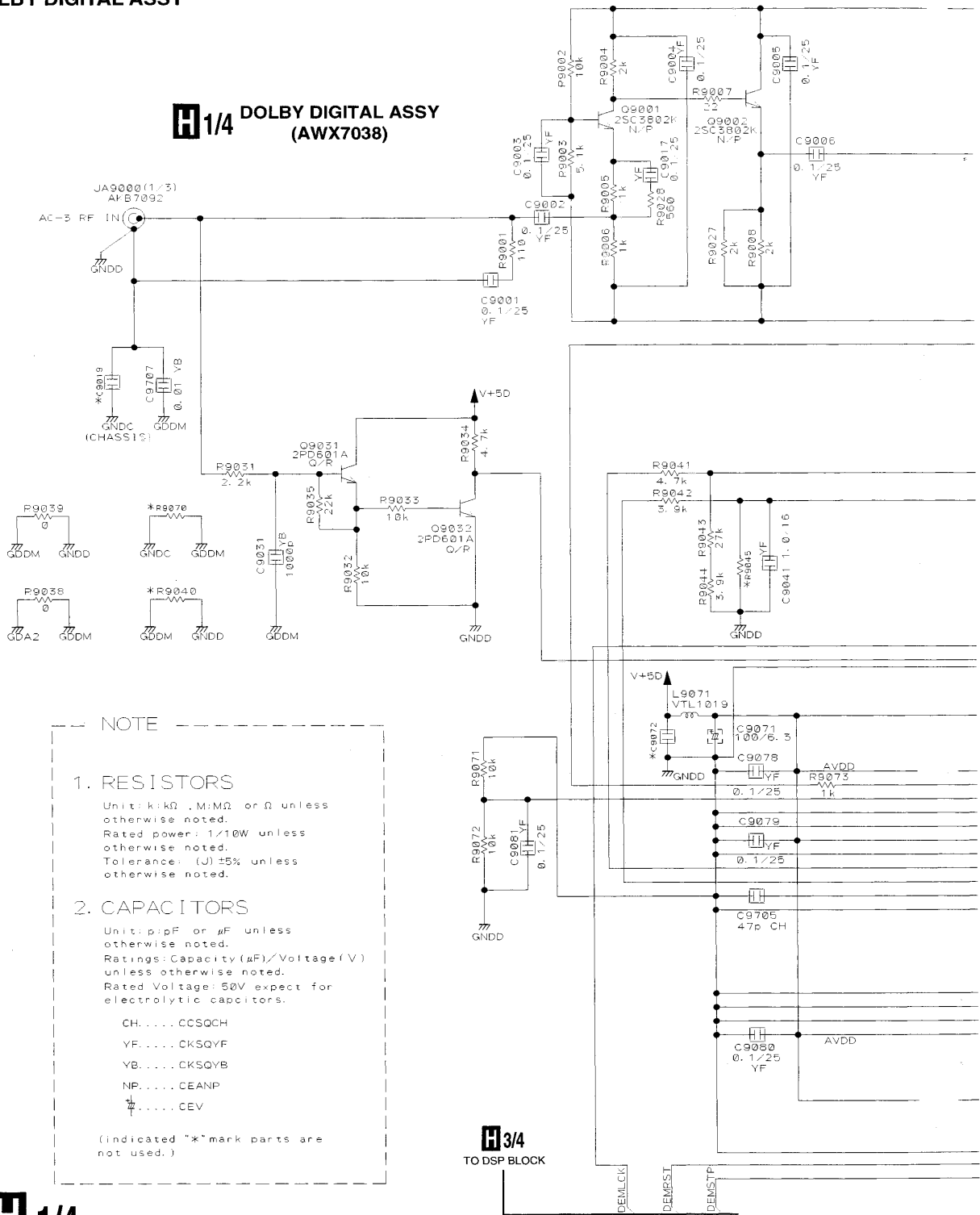
# VSX-D906S, VSX-07TX, VSX-09TX



# VSX-D906S, VSX-07TX, VSX-09TX

## 3.8 DOLBY DIGITAL ASSY

### 1/4 DOLBY DIGITAL ASSY (AWX7038)



**NOTE**

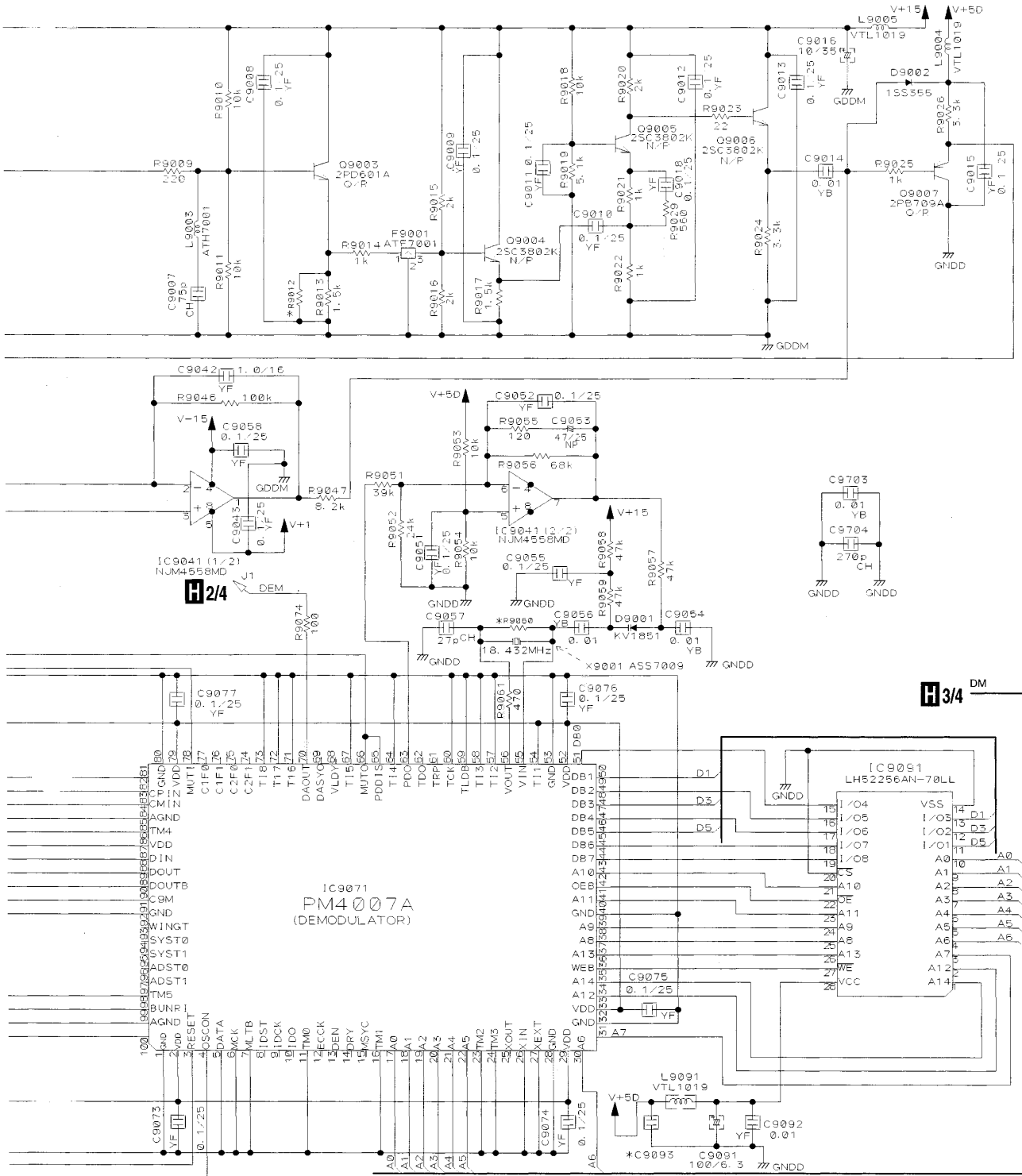
**1. RESISTORS**  
 Unit: k:kΩ, M:MΩ or Ω unless otherwise noted.  
 Rated power: 1/10W unless otherwise noted.  
 Tolerance: (J) ±5% unless otherwise noted.

**2. CAPACITORS**  
 Unit: p:pF or μF unless otherwise noted.  
 Ratings: Capacity (μF)/Voltage (V) unless otherwise noted.  
 Rated Voltage: 50V except for electrolytic capacitors.

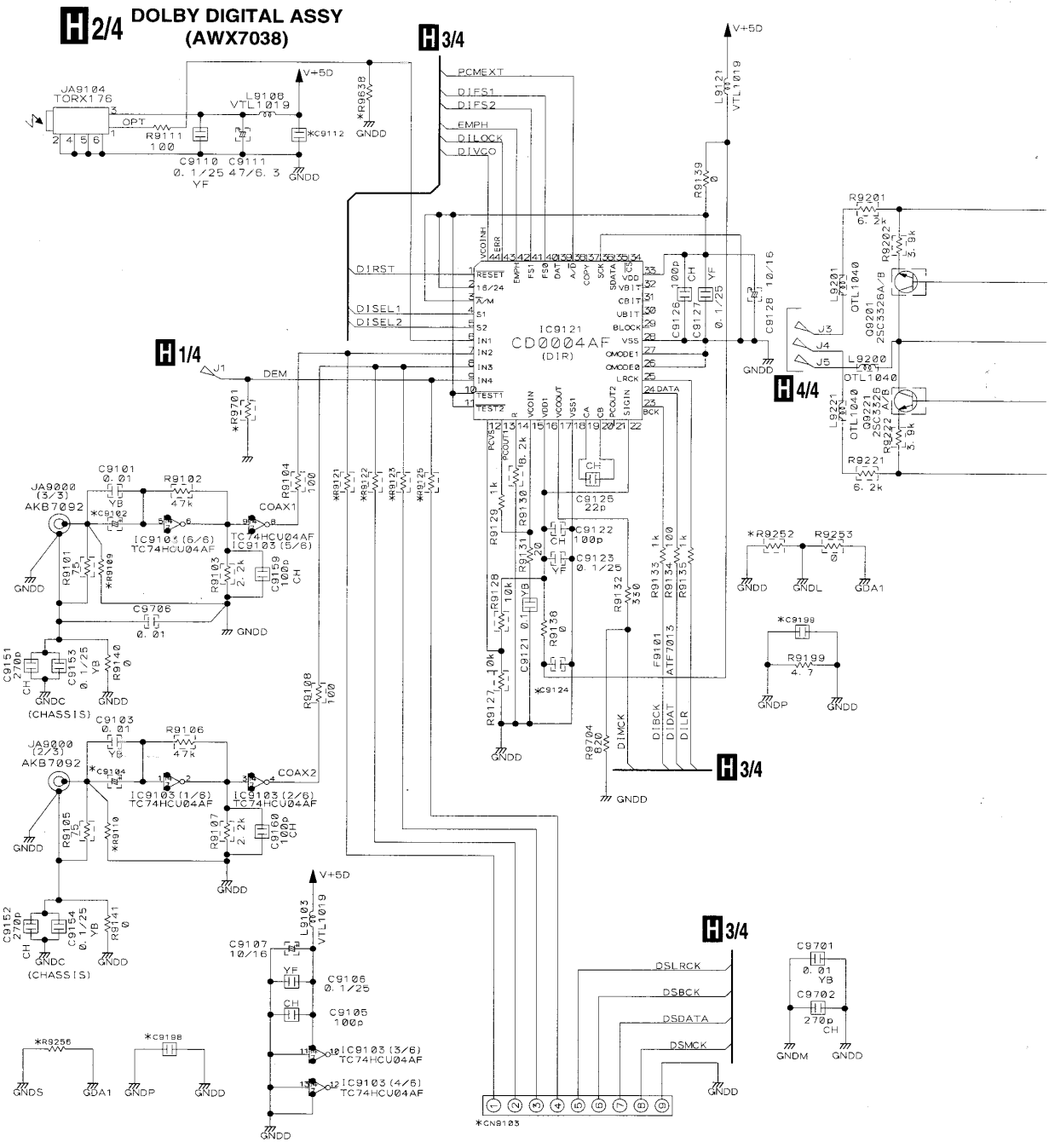
CH..... CCSQCH  
 YF..... CKSQYF  
 YB..... CKSQYB  
 NP..... CEANP  
 #..... CEV

(indicated "\*"mark parts are not used.)

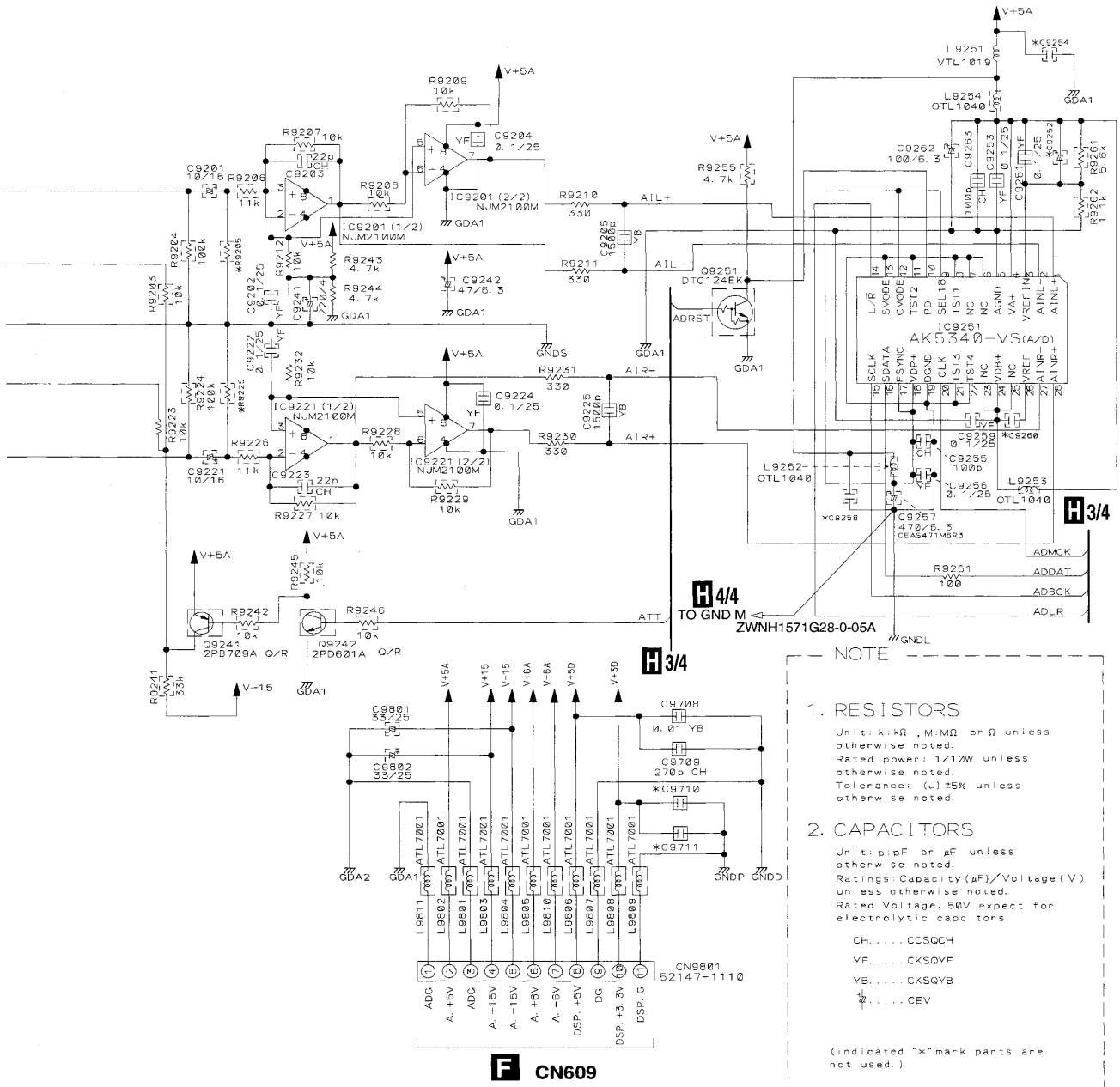
# VSX-D906S, VSX-07TX, VSX-09TX



# VSX-D906S, VSX-07TX, VSX-09TX



# VSX-D906S, VSX-07TX, VSX-09TX



# VSX-D906S, VSX-07TX, VSX-09TX

## 3/4 DOLBY DIGITAL ASSY (AWX7038)

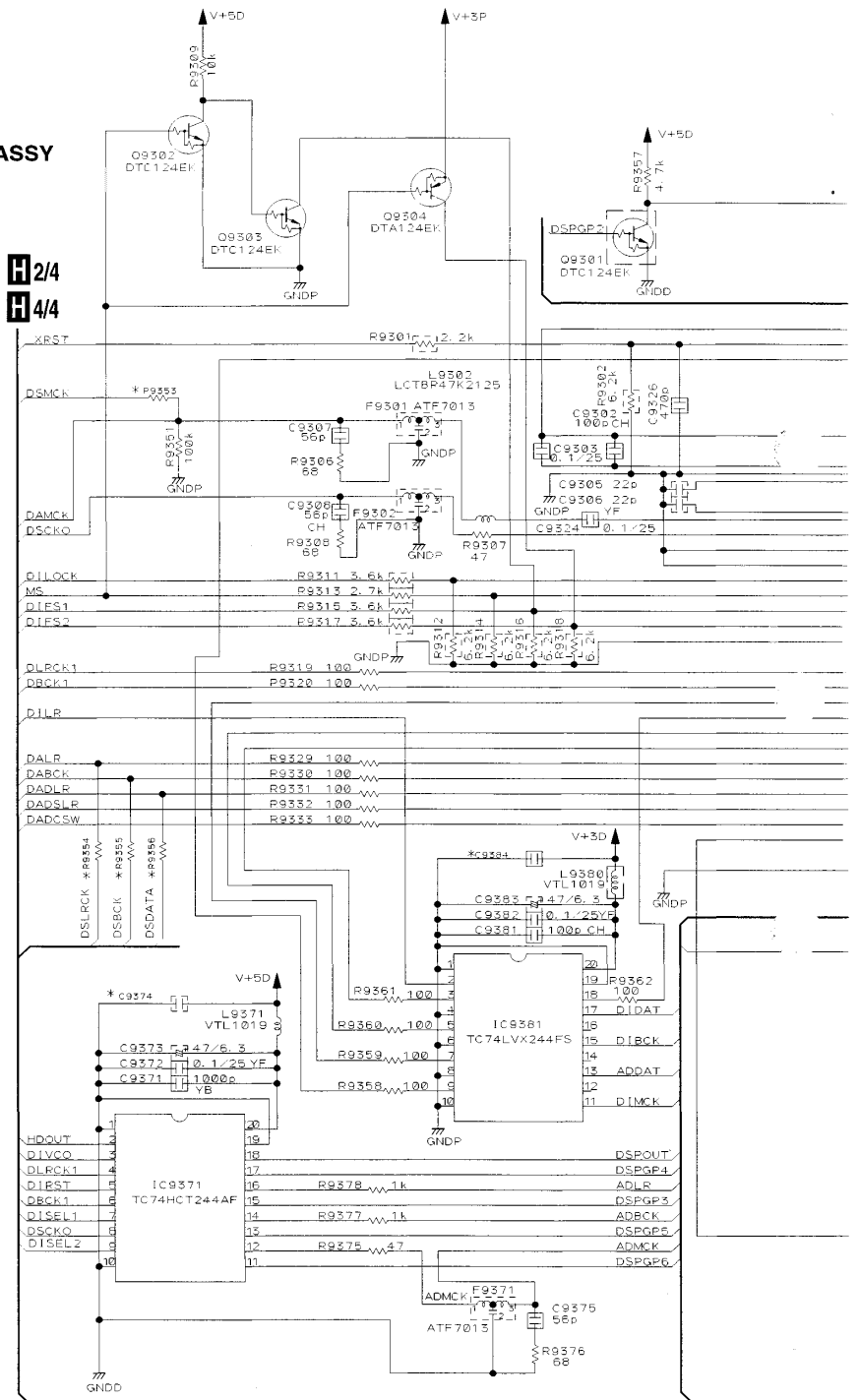
**NOTE**

**1. RESISTORS**  
 Unit: k $\Omega$ , M, m $\Omega$  or  $\Omega$  unless otherwise noted.  
 Rated power: 1/10W unless otherwise noted.  
 Tolerance: (J)  $\pm$ 5% unless otherwise noted.

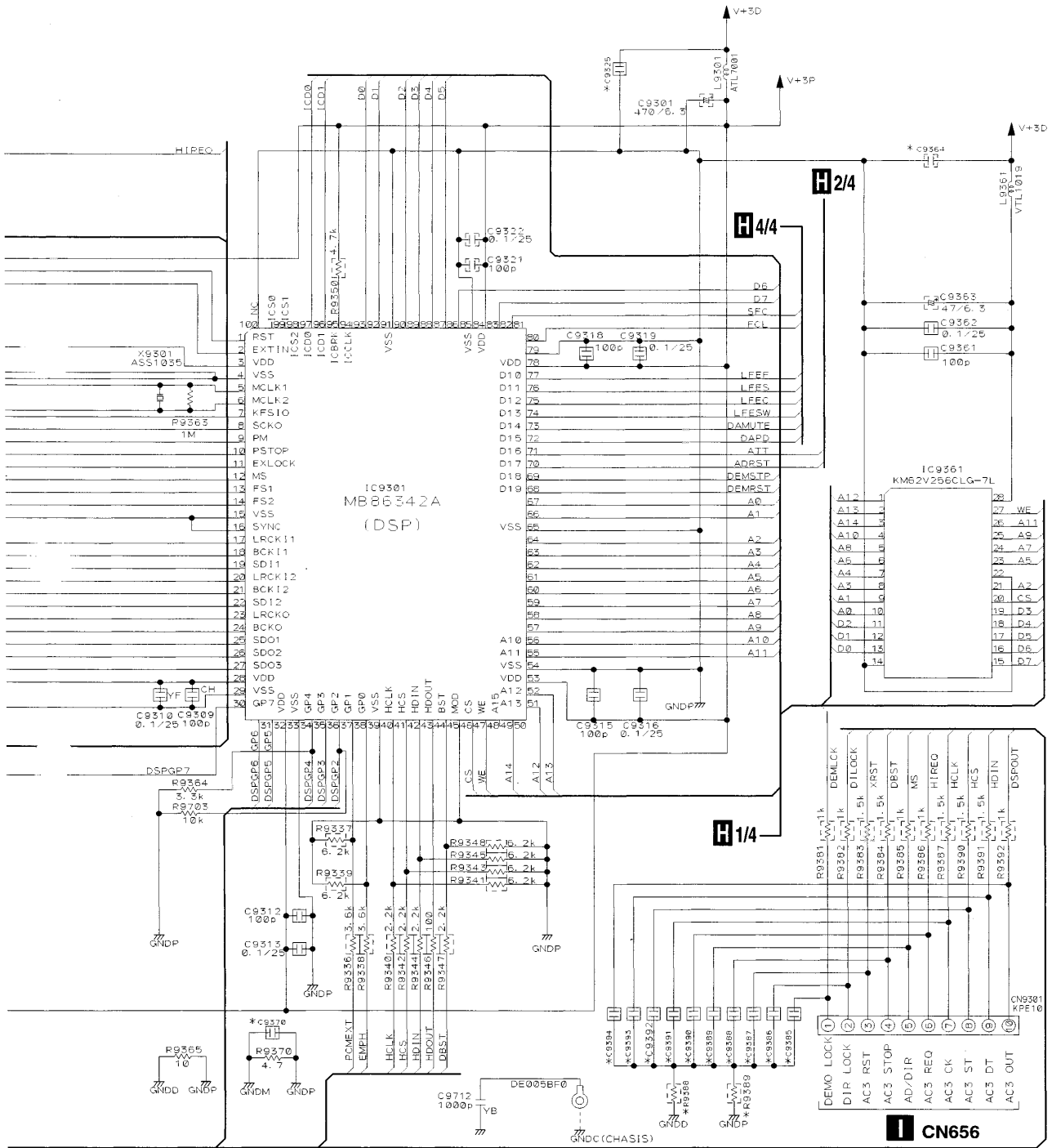
**2. CAPACITORS**  
 Unit: pF or  $\mu$ F unless otherwise noted.  
 Ratings: Capacity ( $\mu$ F)/Voltage (V) unless otherwise noted.  
 Rated Voltage: 50V except for electrolytic capacitors.

CH..... CCSQCH  
 YF..... CKSQYF  
 YB..... CKSQYB  
 NP..... CEANP  
 \*..... CEV

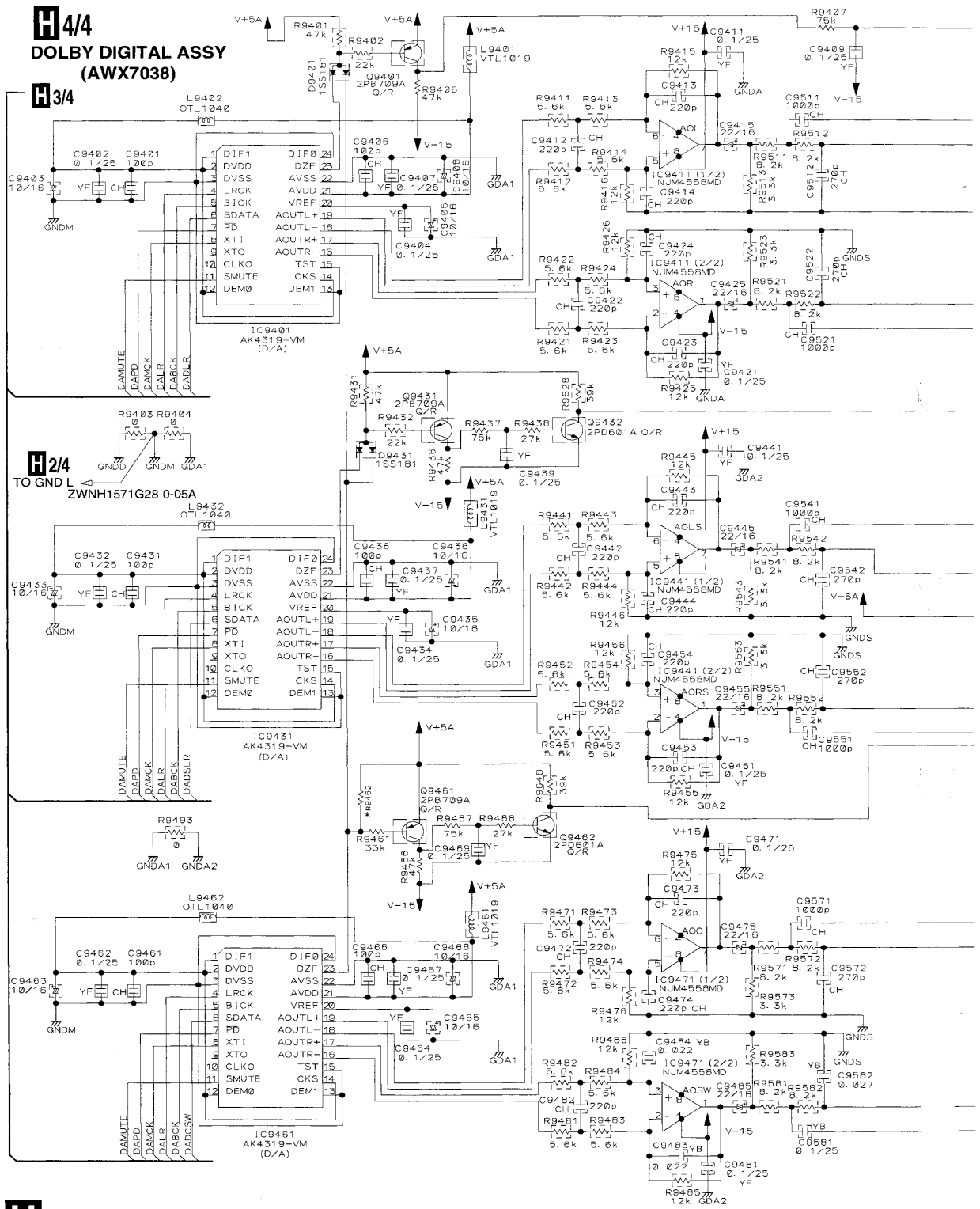
(Indicated "\*" mark parts are not used.)



# VSX-D906S, VSX-07TX, VSX-09TX

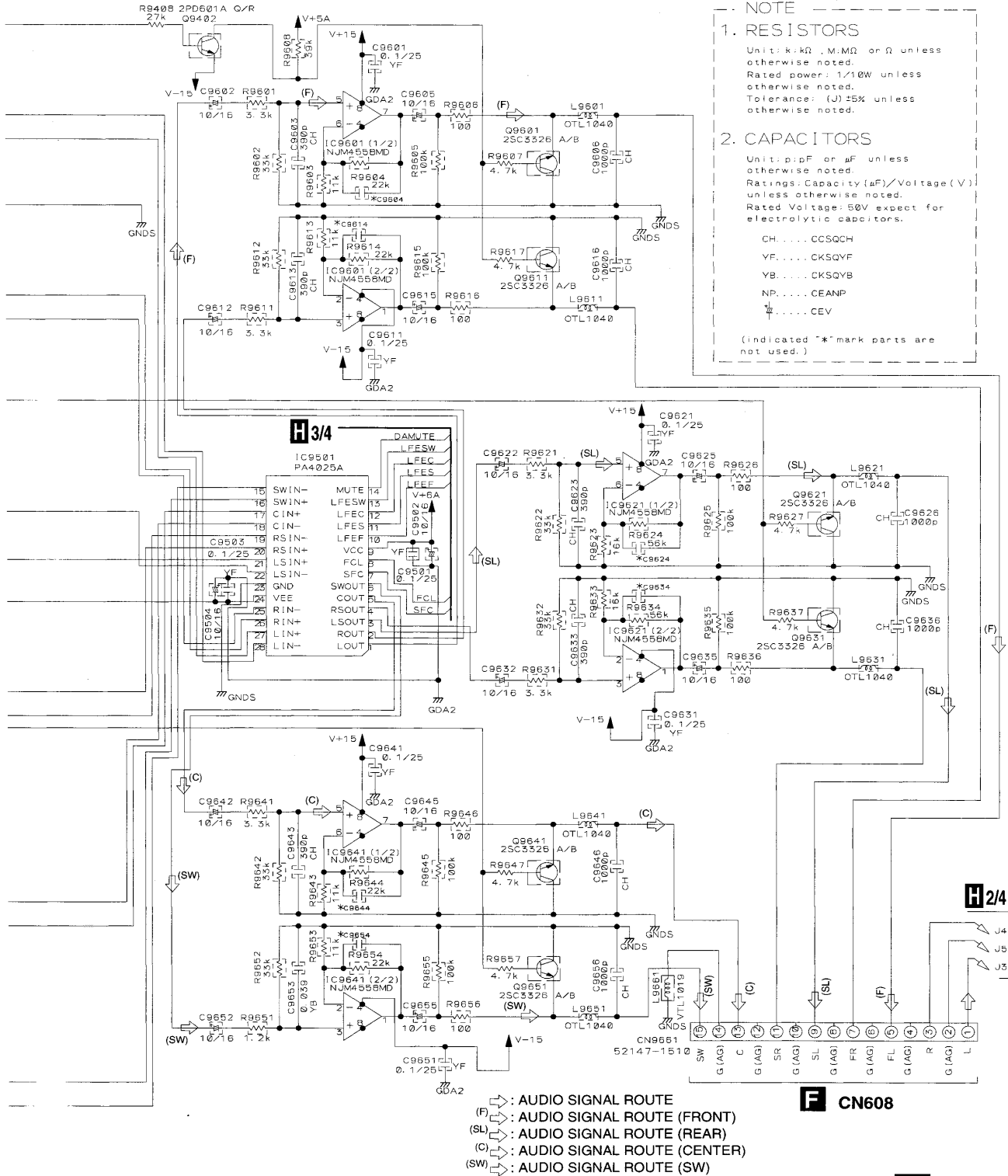


# VSX-D906S, VSX-07TX, VSX-09TX



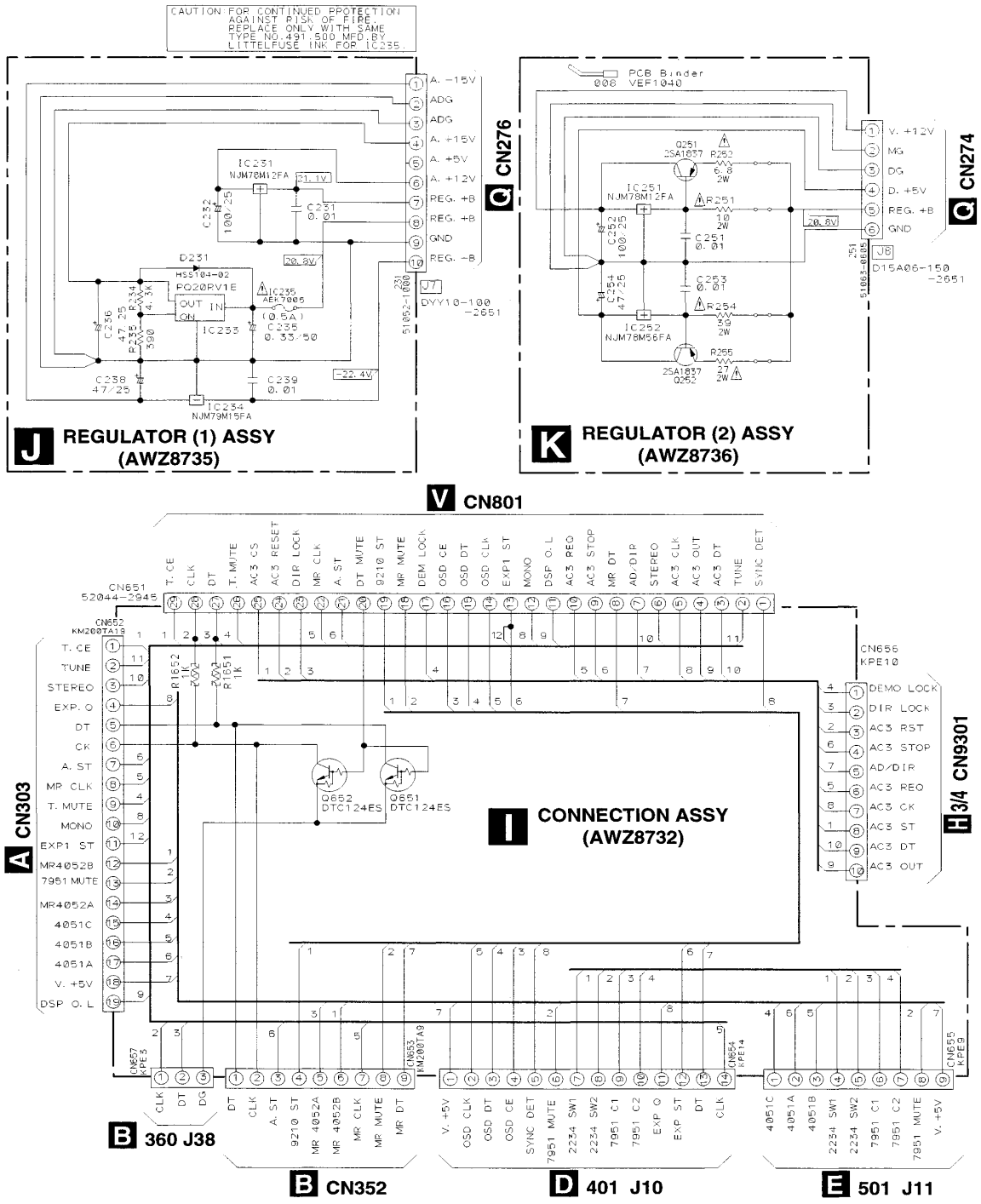


# VSX-D906S, VSX-07TX, VSX-09TX



# VSX-D906S, VSX-07TX, VSX-09TX

## 3.9 CONNECTION ASSY, REGULATOR(1) ASSY, REGULATOR(2) ASSY, REGULATOR(3) ASSY AND V-AMP ASSY



# VSX-D906S, VSX-07TX, VSX-09TX

NOTED

1. RESISTORS

Indicated in ohm 1/4W  $\pm 5\%$  tolerance unless otherwise noted K:Kohm, M:Mohm

$\square$  Chip Resistor

$\text{\textcircled{R}}$  PFA

2. CAPACITORS

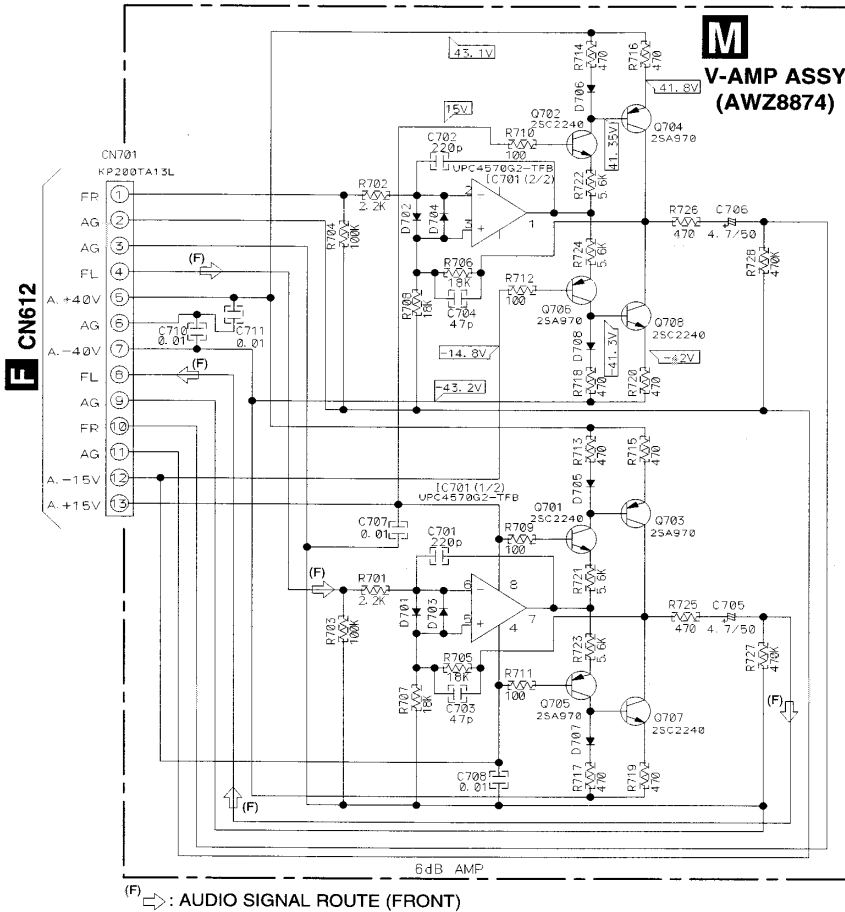
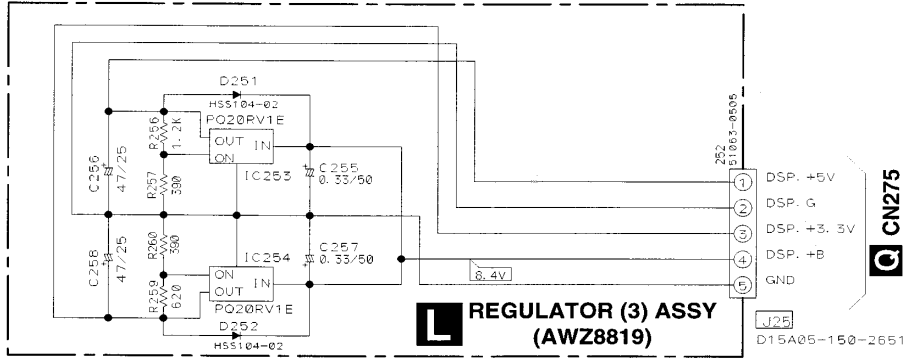
Indicated in capacity ( $\mu\text{F}$ )/voltage (V) unless otherwise noted p: pF

Indication without voltage is 50V except electrolytic capacitor

$\square$  Chip Capacitor

3. DIODE

Diode without indicated is 1SS355-TRB



(F)  $\Rightarrow$  : AUDIO SIGNAL ROUTE (FRONT)

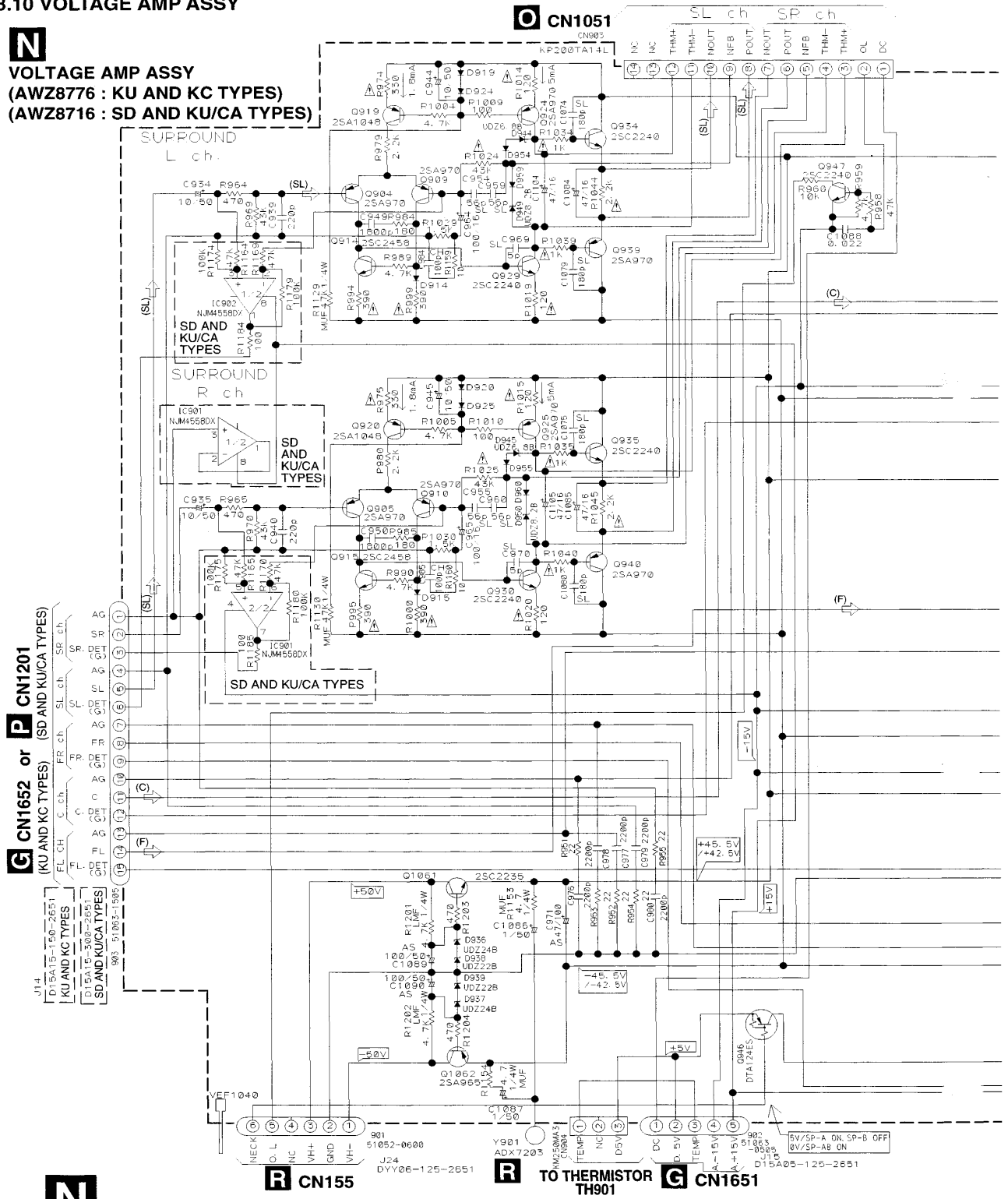


VSX-D906S, VSX-07TX, VSX-09TX

3.10 VOLTAGE AMP ASSY

**N**

**VOLTAGE AMP ASSY**  
**(AWZ8776 : KU AND KC TYPES)**  
**(AWZ8716 : SD AND KU/CA TYPES)**



**N**

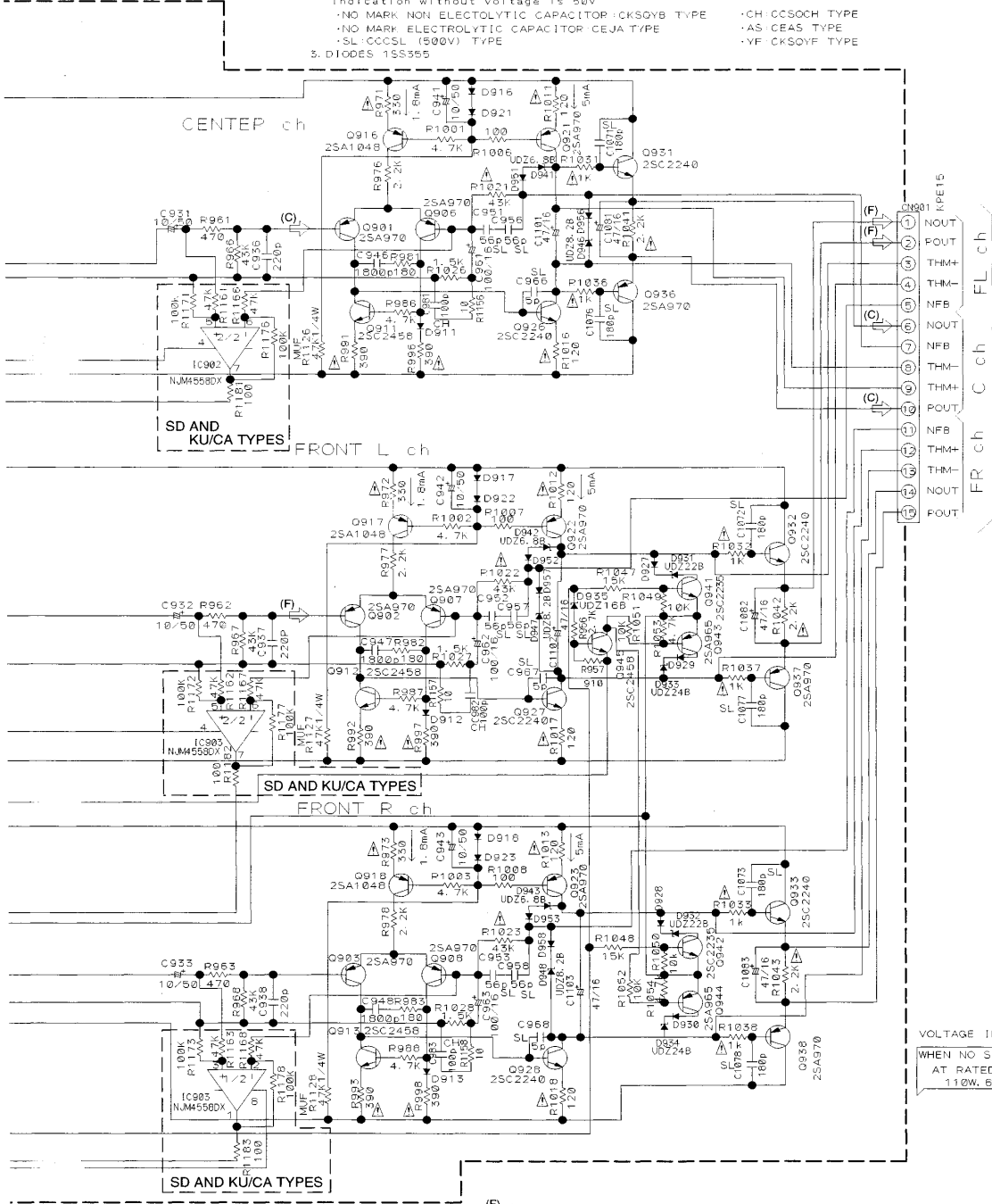
**R** CN155

**R** TO THERMISTOR TH901

**G** CN1651

# VSX-D906S, VSX-07TX, VSX-09TX

- NOTED  
 1. RESISTORS  
 Indicated in ohm 1/10W 5% tolerance unless otherwise noted K:kohm  
 -LMF NON FLAMBLE TYPE
2. CAPACITORS  
 Indicated in uF(capacity)/V(voltage) unless otherwise noted p:pF  
 Indication without voltage is 50V  
 -NO MARK NON ELECTROLYTIC CAPACITOR -CKSQYB TYPE -CH-CCSOCH TYPE  
 -NO MARK ELECTROLYTIC CAPACITOR CEJA TYPE -AS-CEAS TYPE  
 -SL-CCCSL (500V) TYPE -VF-CKSOYF TYPE
3. DIODES 1SS355

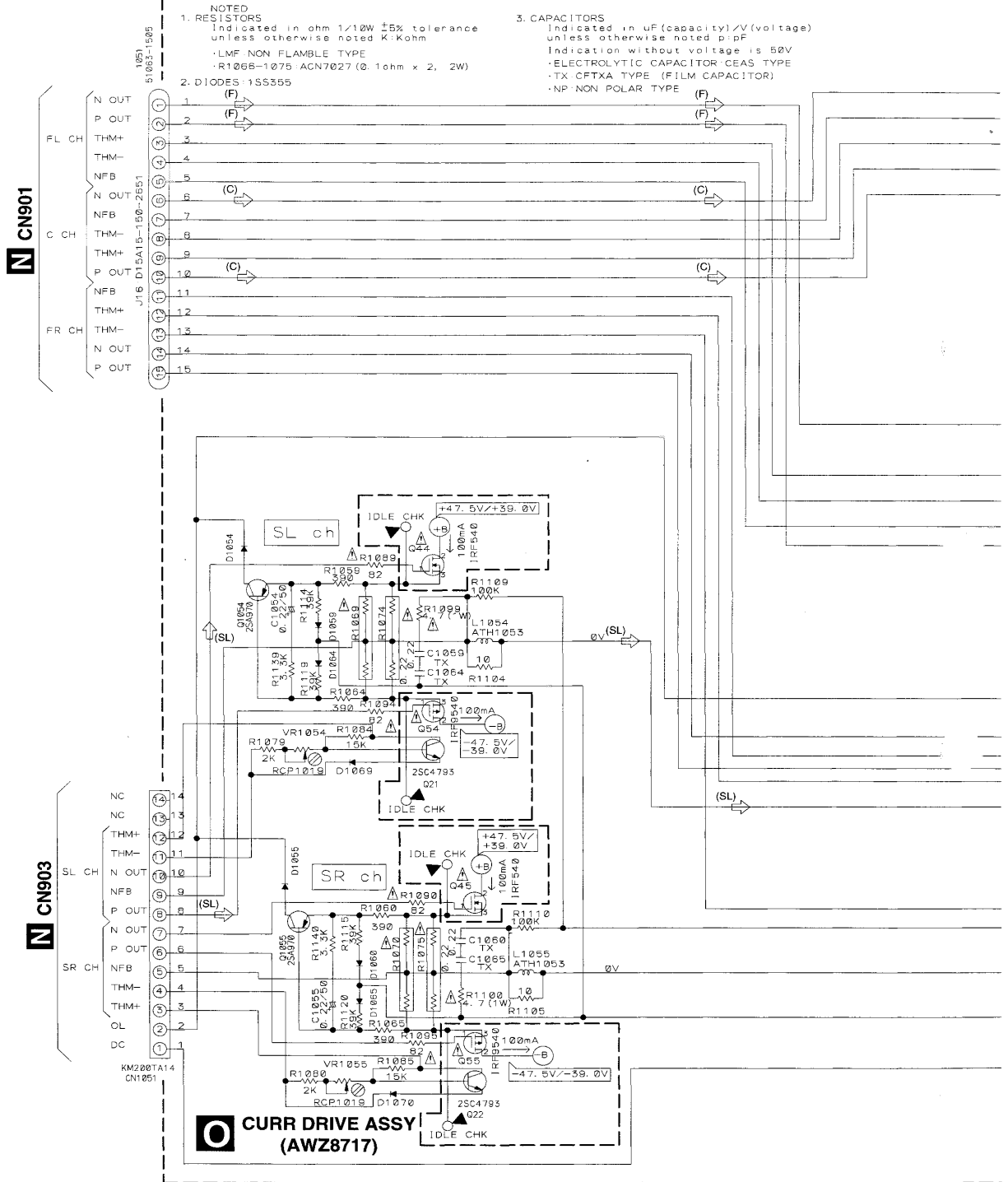


- (F) ⇄ : AUDIO SIGNAL ROUTE (FRONT)  
 (SL) ⇄ : AUDIO SIGNAL ROUTE (REAR)  
 (C) ⇄ : AUDIO SIGNAL ROUTE (CENTER)

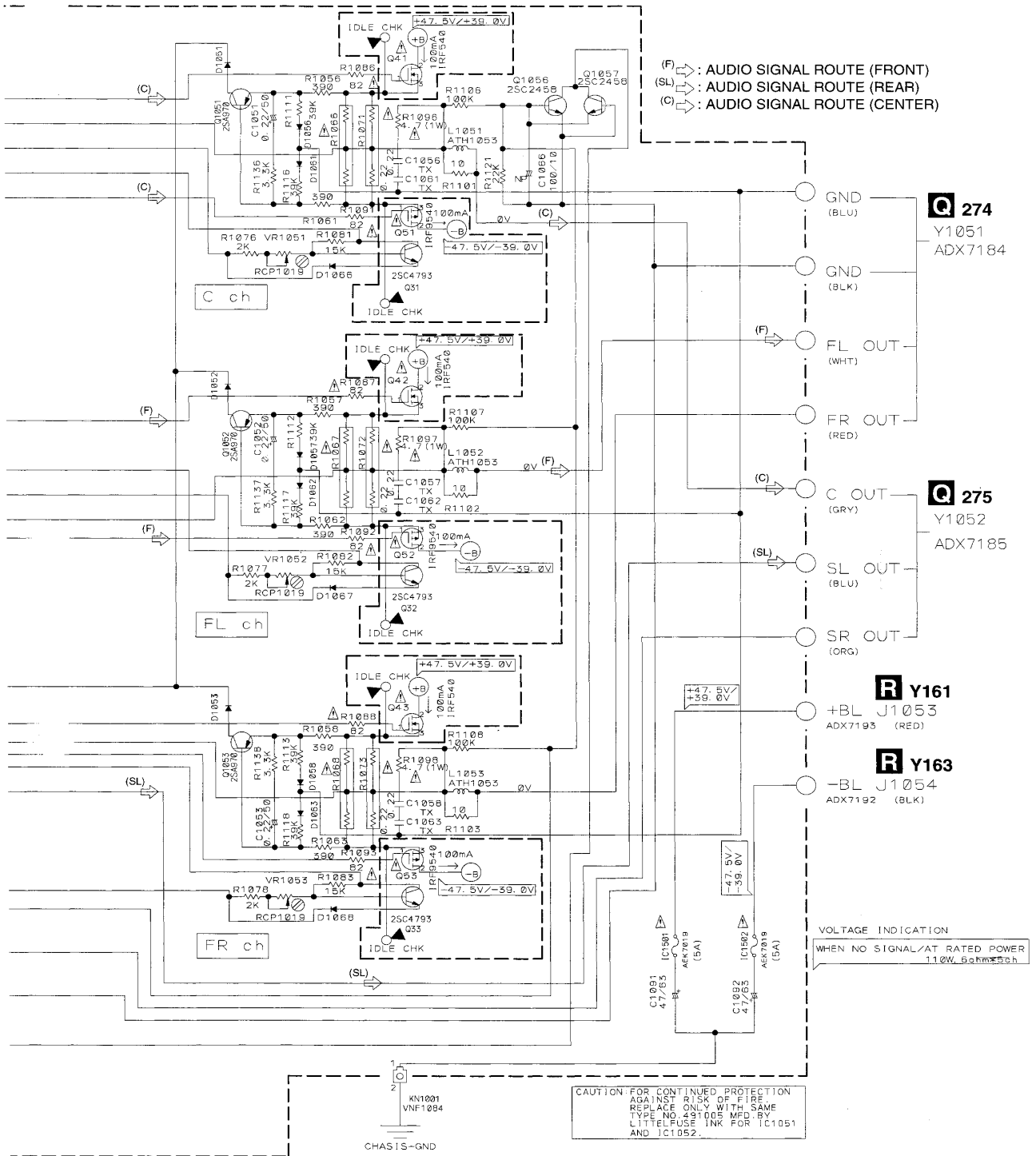


VSX-D906S, VSX-07TX, VSX-09TX

3.11 CURR DRIVE ASSY

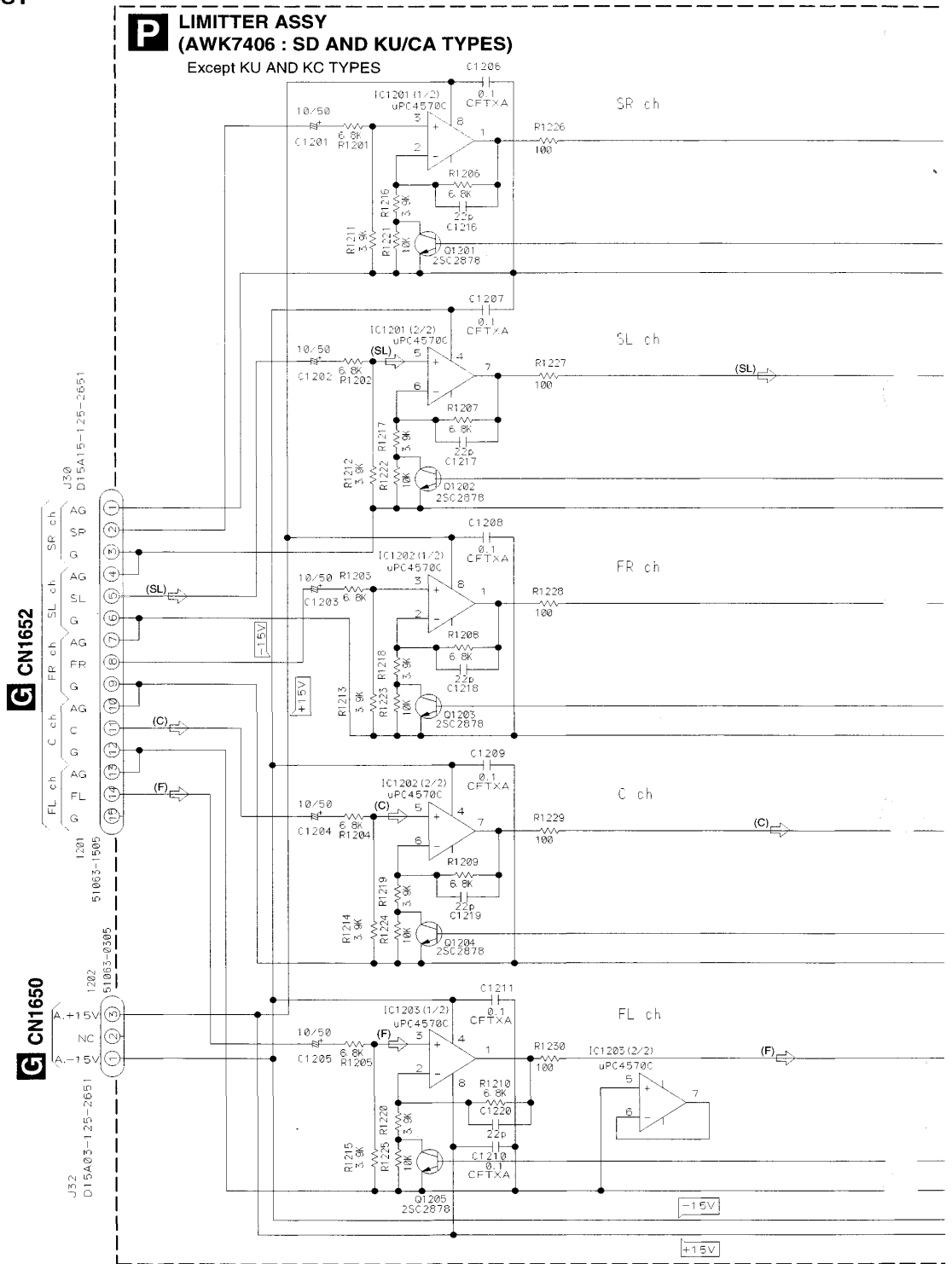


# VSX-D906S, VSX-07TX, VSX-09TX



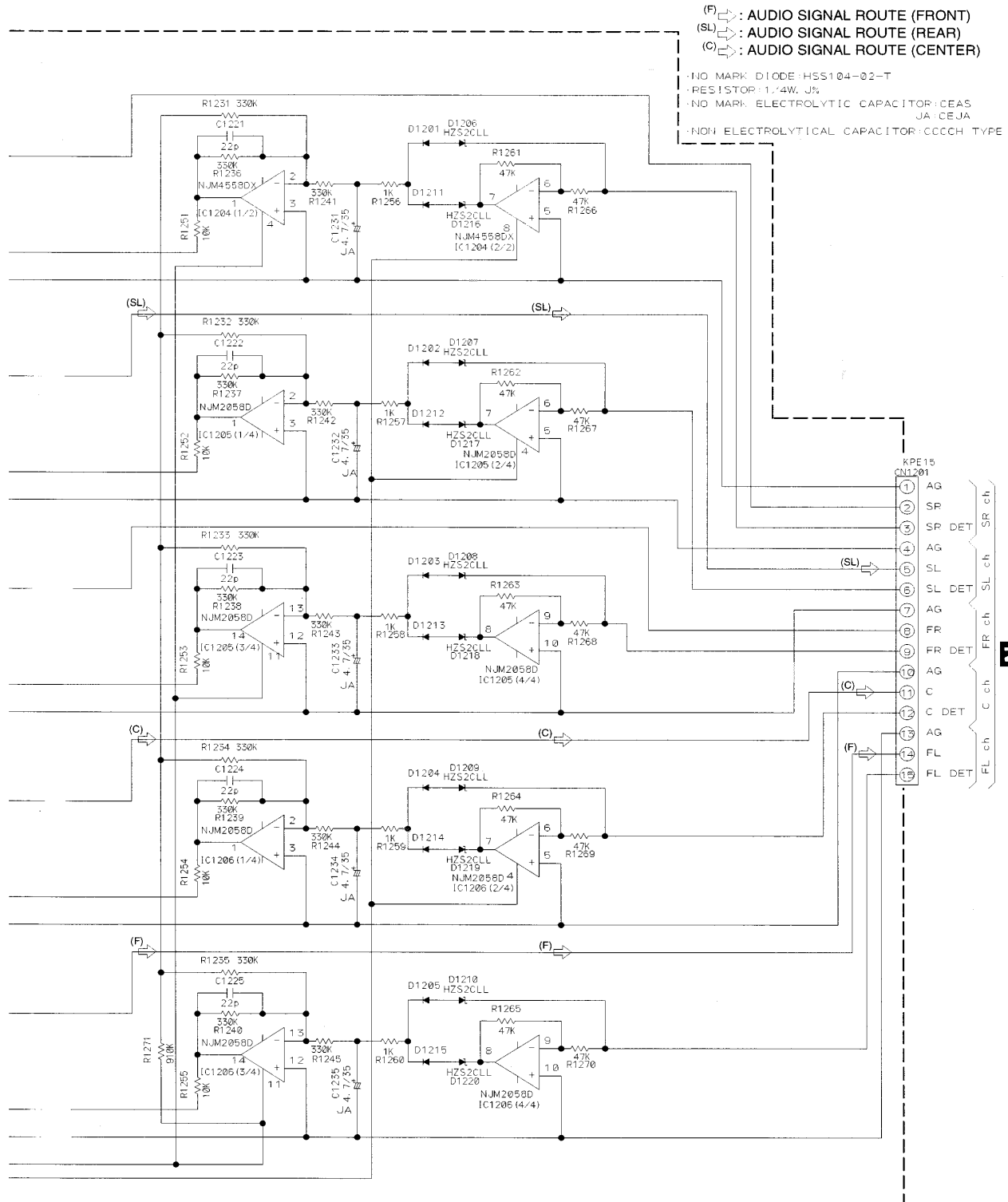
# VSX-D906S, VSX-07TX, VSX-09TX

## 3.12 LIMITER ASSY





# VSX-D906S, VSX-07TX, VSX-09TX



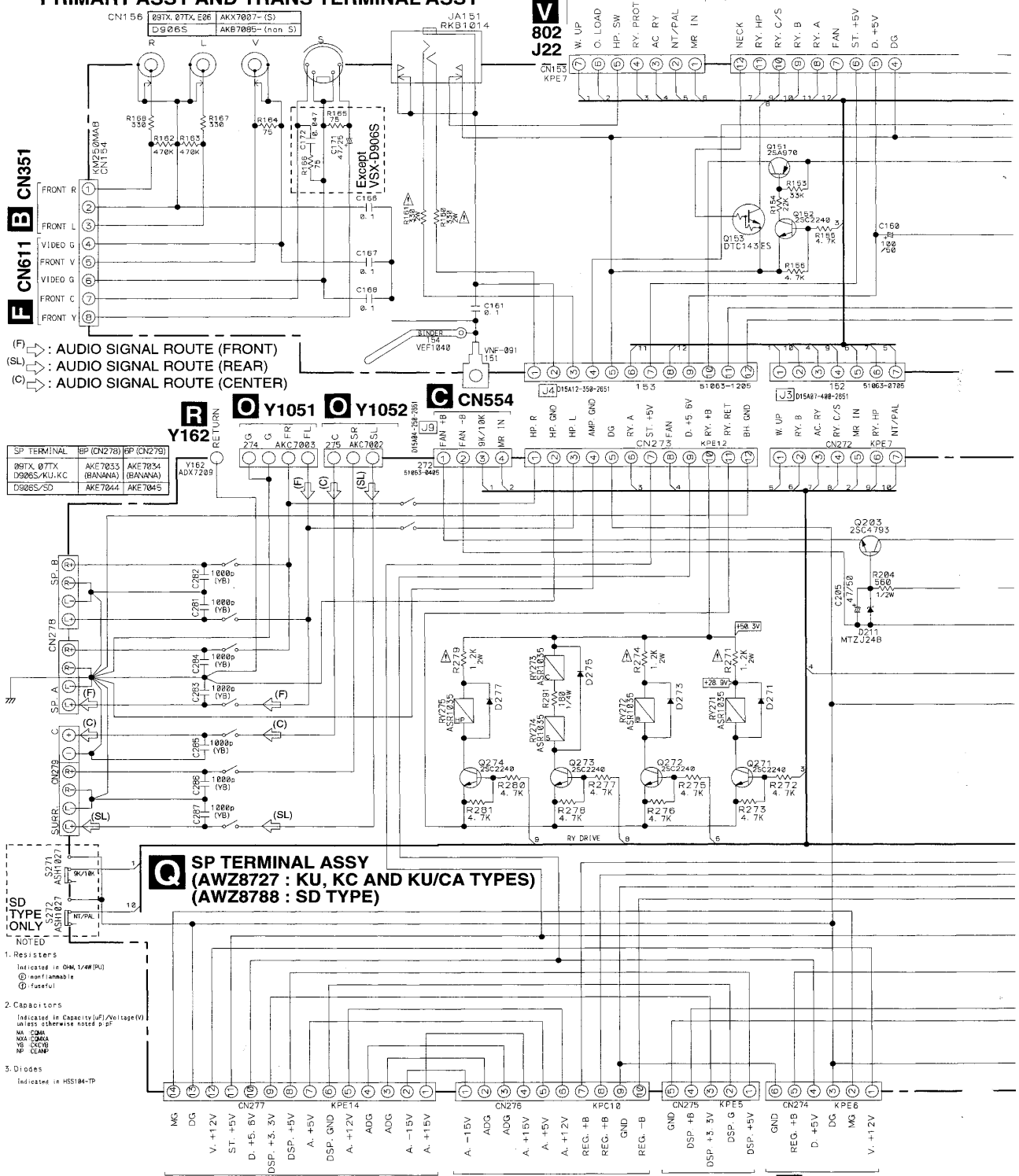
**N** 903 J14



# VSX-D906S, VSX-07TX, VSX-09TX

## 3.13 SP TERMINAL ASSY, POWER SUPPLY ASSY, PRIMARY ASSY AND TRANS TERMINAL ASSY

V 803 J23



42

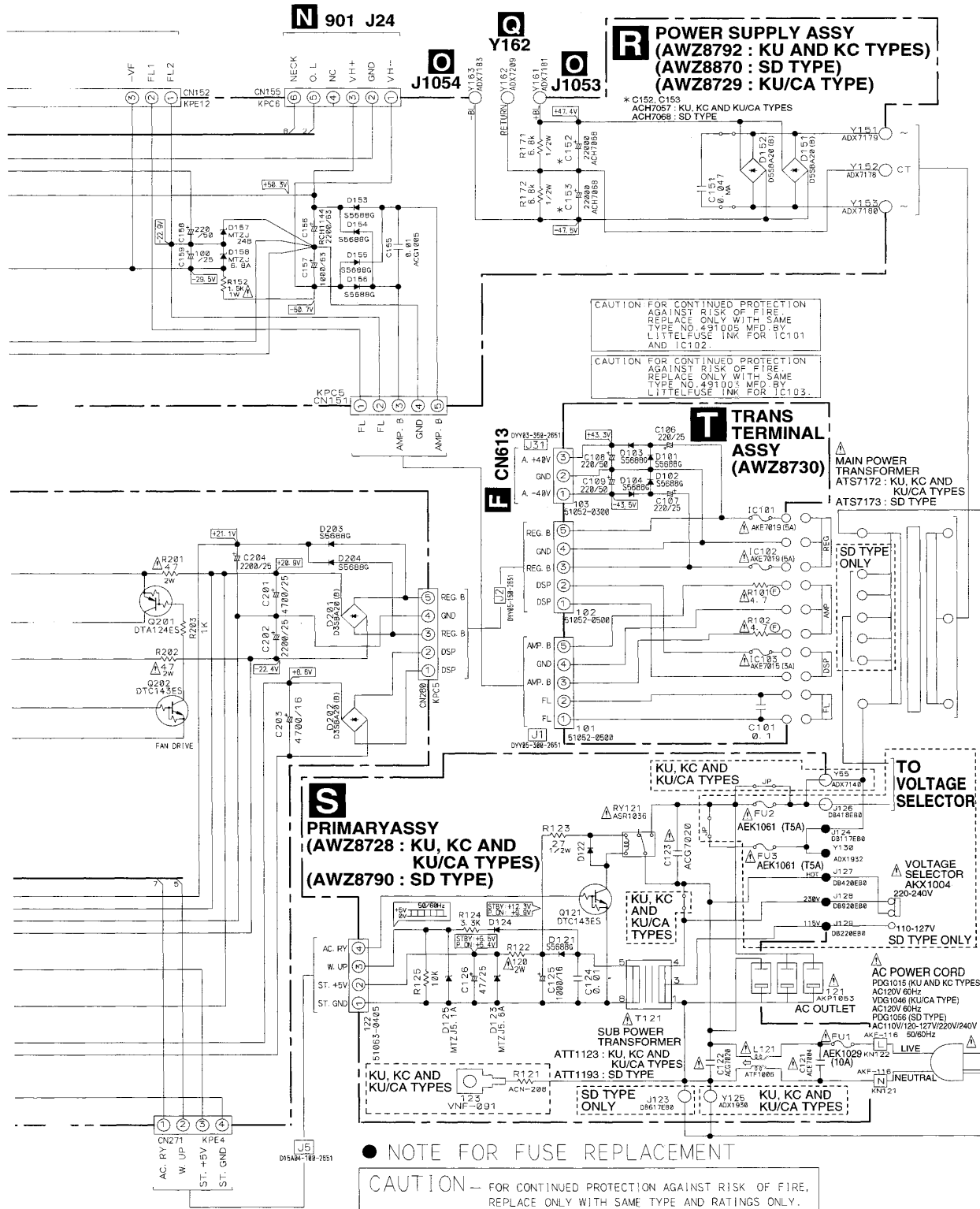
Q R

F 610 J6

J 231 J7

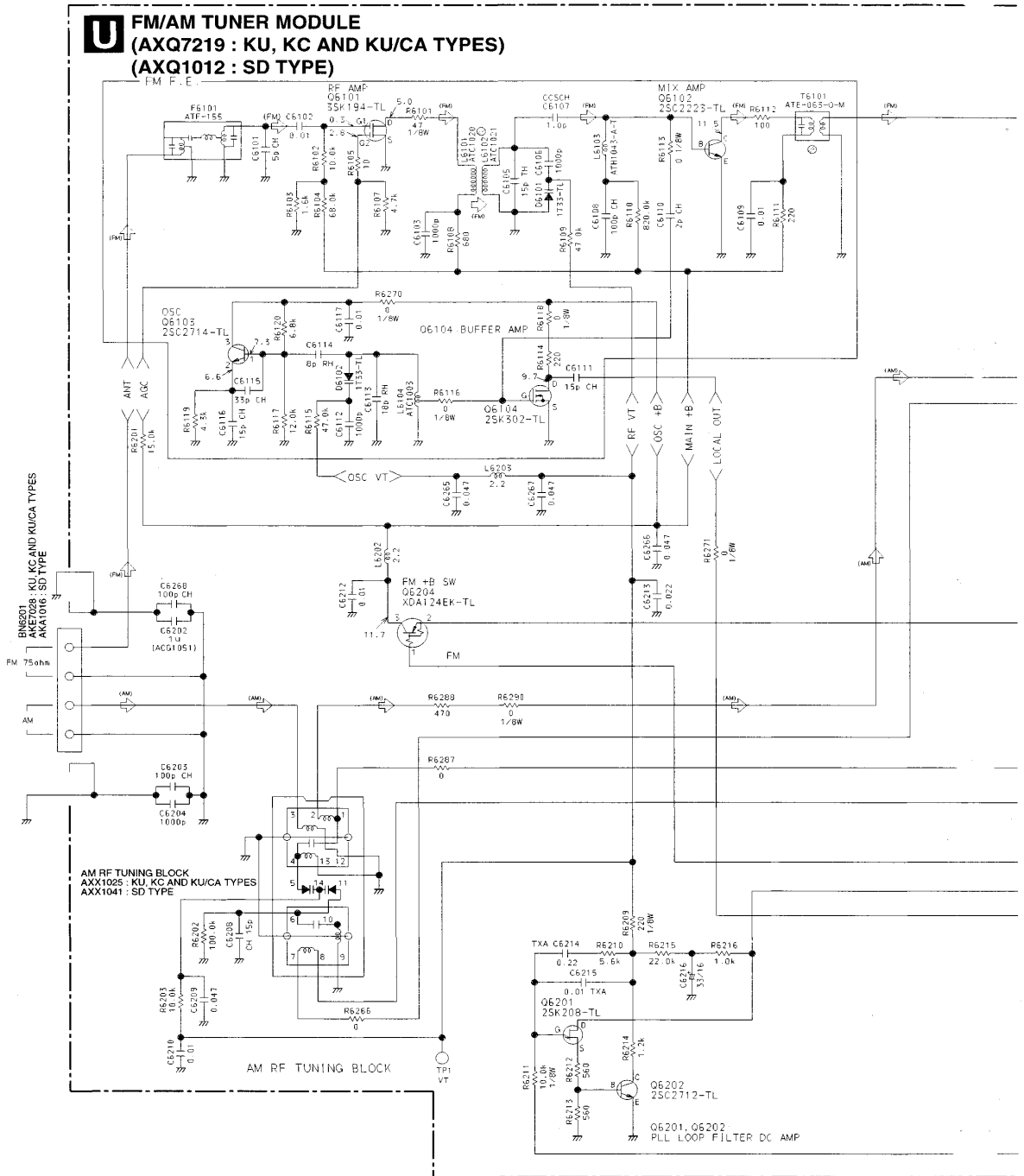
L 252 J25

K 251 J8

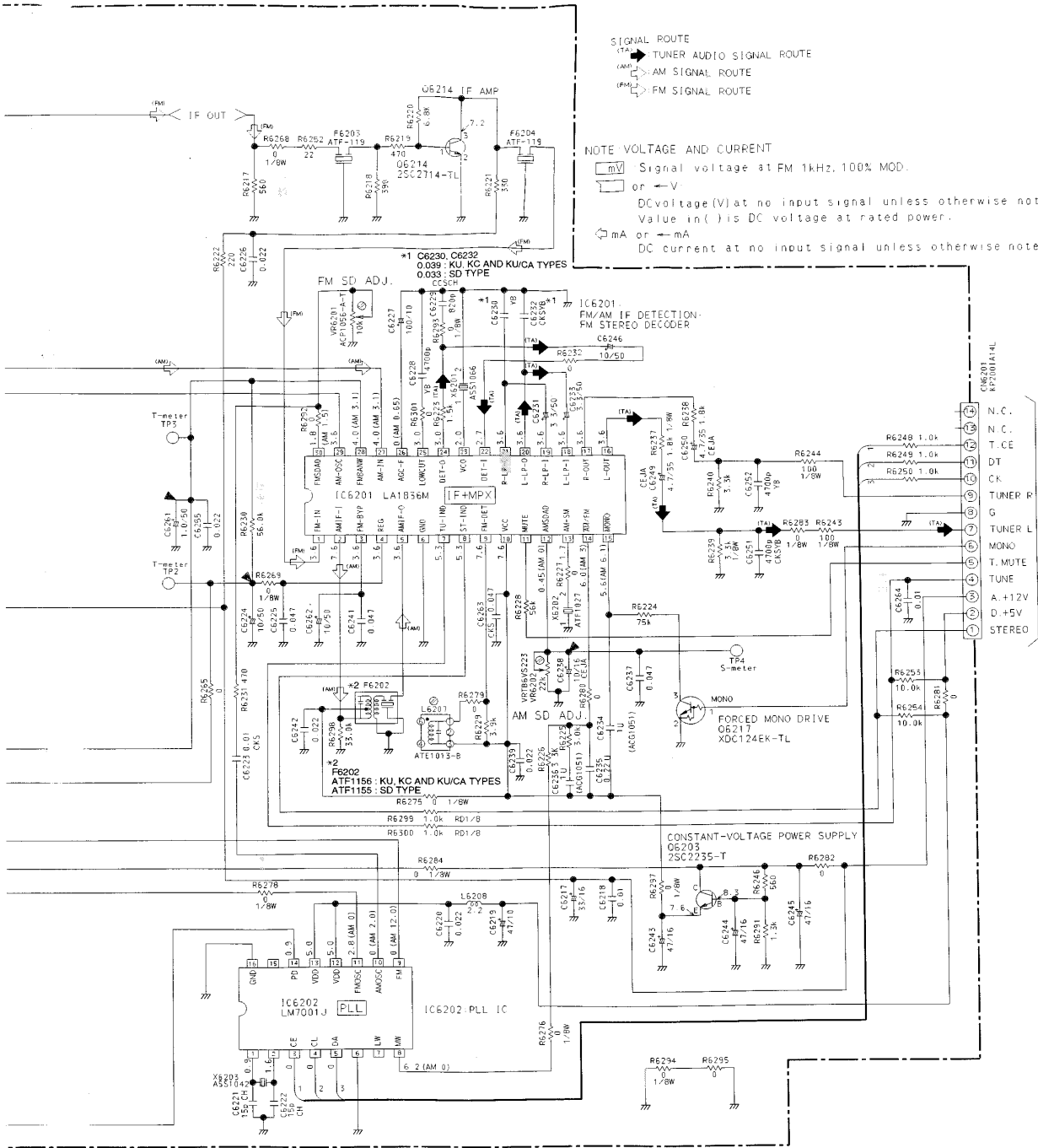


# VSX-D906S, VSX-07TX, VSX-09TX

## 3.14 FM/AM TUNER MODULE



VSX-D906S, VSX-07TX, VSX-09TX



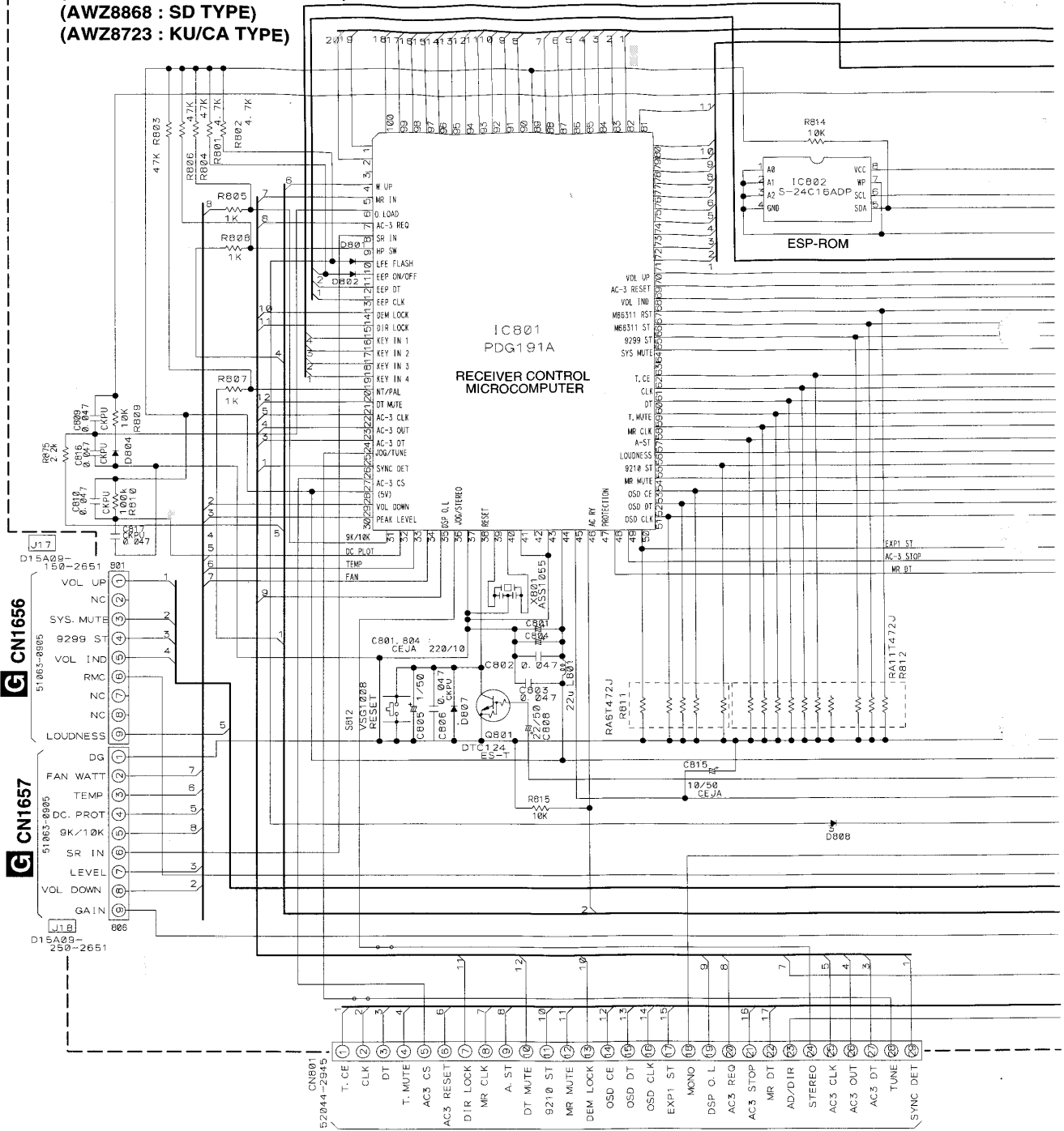
▲ CN301



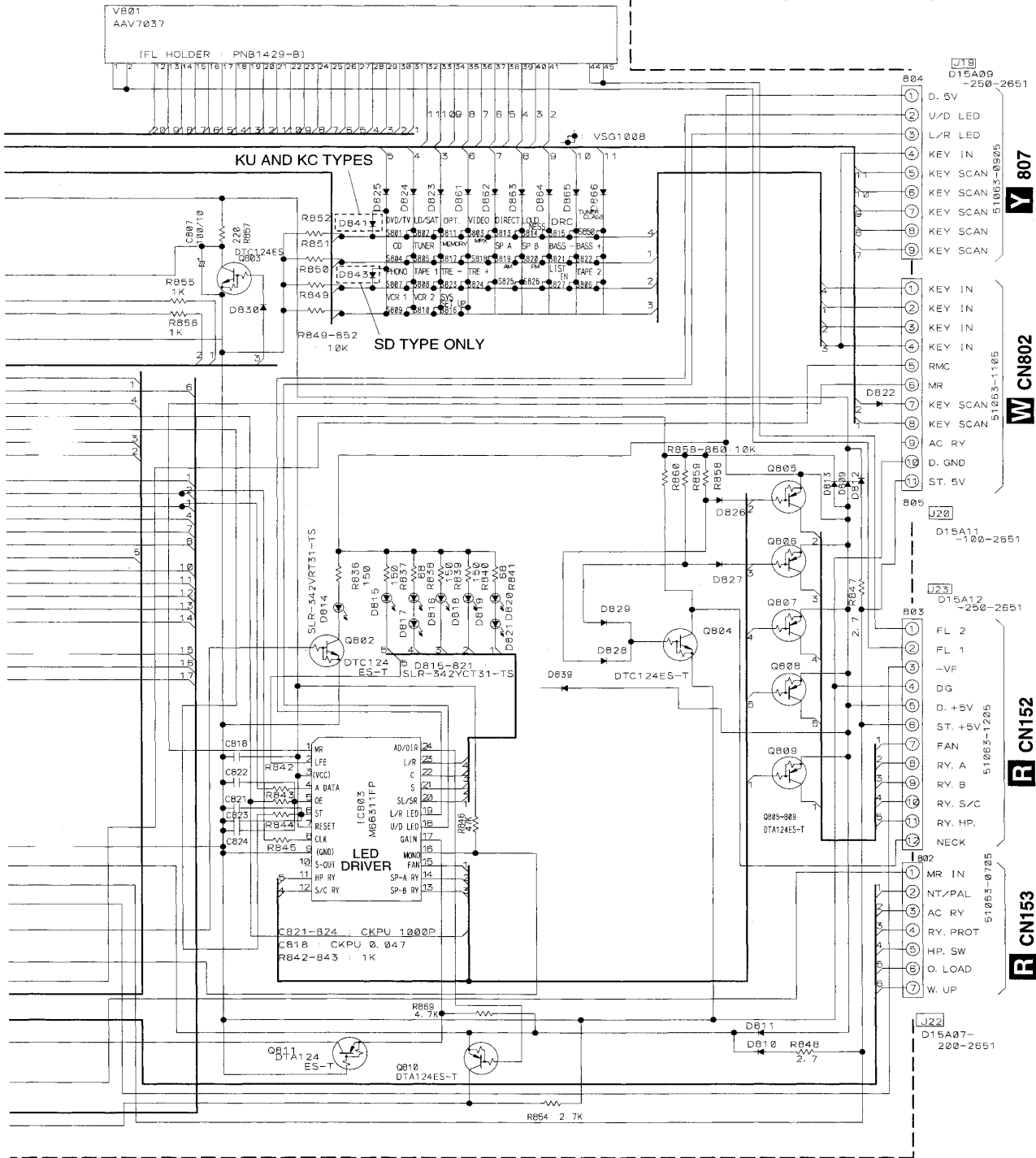
# VSX-D906S, VSX-07TX, VSX-09TX

## 3.15 FL-UCOM ASSY

**V** FL-UCOM ASSY  
 (AWZ8779 : KU AND KC TYPES)  
 (AWZ8868 : SD TYPE)  
 (AWZ8723 : KU/CA TYPE)



# VSX-D906S, VSX-07TX, VSX-09TX



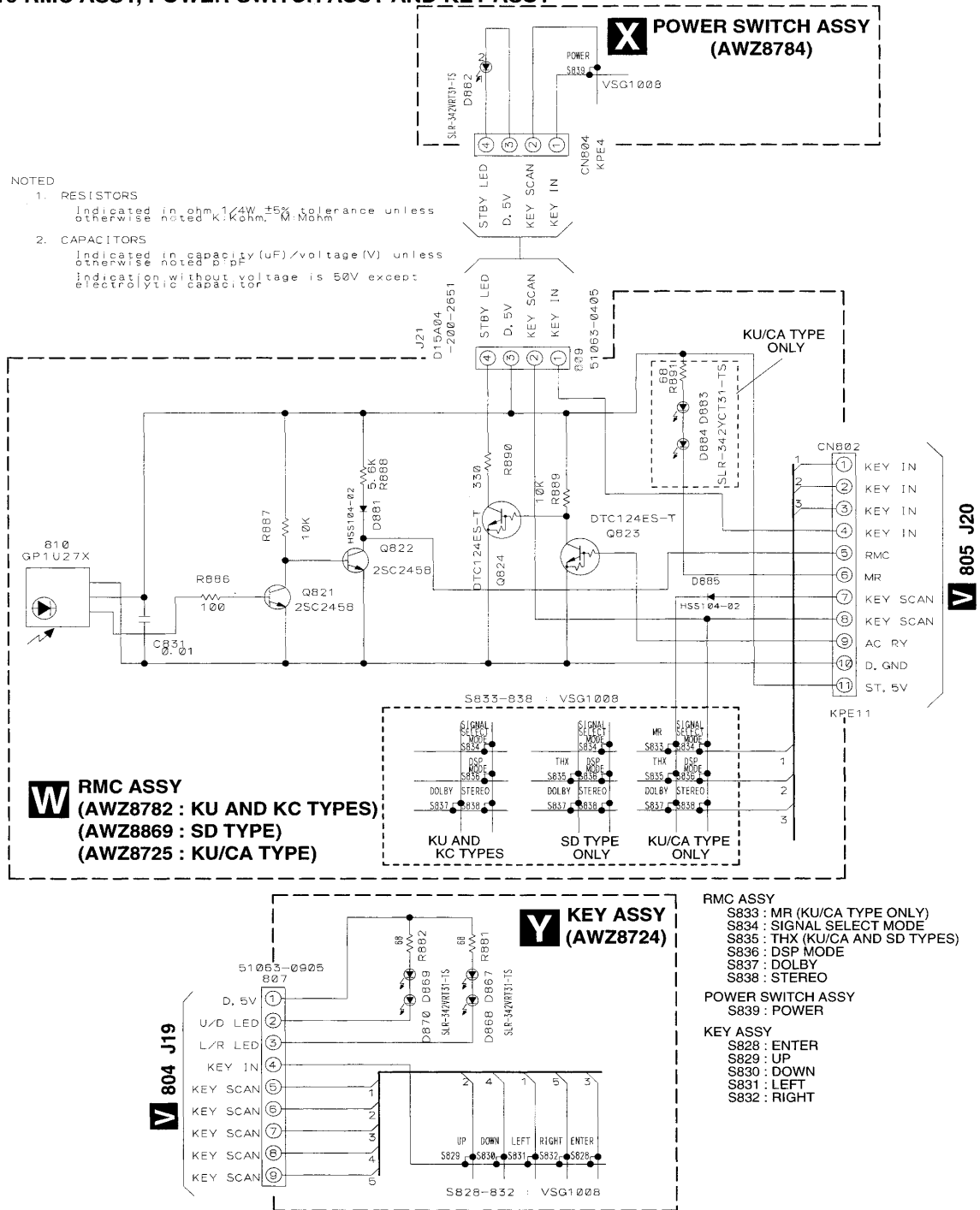
NOTED  
 1. RESISTORS  
 Indicated in ohm 1/4w ±5% tolerance unless  
 otherwise noted K:Kohm, M: Mohm  
 2. CAPACITORS  
 Indicated in capacity (uF)/voltage (V) unless  
 otherwise noted p: pF  
 Indication without voltage is 50V except  
 electrolytic capacitor  
 3. DIODE  
 RS5104-02-

FL U-COM ASSY  
 S801 : DVD/TV S808 : TAPE1 S815 : DRC S822 : BASS +  
 S802 : LD/SAT S809 : VCR1 S816 : SYS SET UP S823 : TRE -  
 S803 : VIDEO S810 : VCR2 S817 : MEMORY S824 : TRE +  
 S804 : CD S811 : OPT. S818 : MPX S825 : AM  
 S805 : TUNER S812 : RESET S819 : SP A S826 : FM  
 S806 : TAPE2 S813 : DIRECT S820 : SP B S827 : LIST IN  
 S807 : PHONO S814 : LOUDNESS S821 : BASS - S850 : TUNER CLASS



# VSX-D906S, VSX-07TX, VSX-09TX

## 3.16 RMC ASSY, POWER SWITCH ASSY AND KEY ASSY





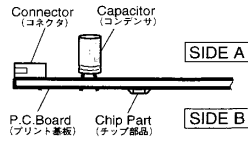
## 4. PCB CONNECTION DIAGRAM

### NOTE FOR PCB DIAGRAMS

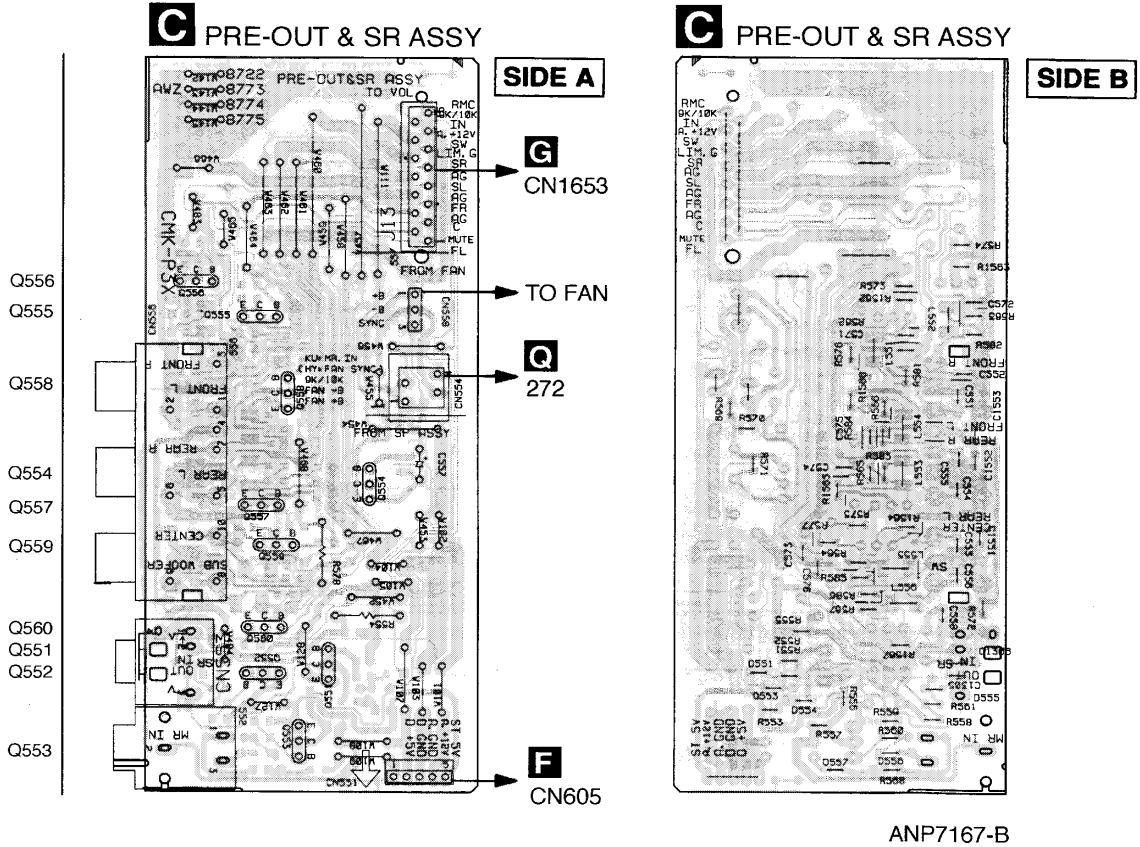
- Part numbers in PCB diagrams match those in the schematic diagrams.
- A comparison between the main parts of PCB and schematic diagrams is shown below.
- The parts mounted on this PCB include all necessary parts for several destinations. For further information for respective destinations, be sure to check with the schematic diagram.

| Symbol in PCB Diagrams | Symbol in Schematic Diagrams | Part Name                |
|------------------------|------------------------------|--------------------------|
|                        |                              | Transistor               |
|                        |                              | Transistor with resistor |
|                        |                              | Field effect transistor  |
|                        |                              | Resistor array           |
|                        |                              | 3-terminal regulator     |

### 4. Viewpoint of PCB diagrams

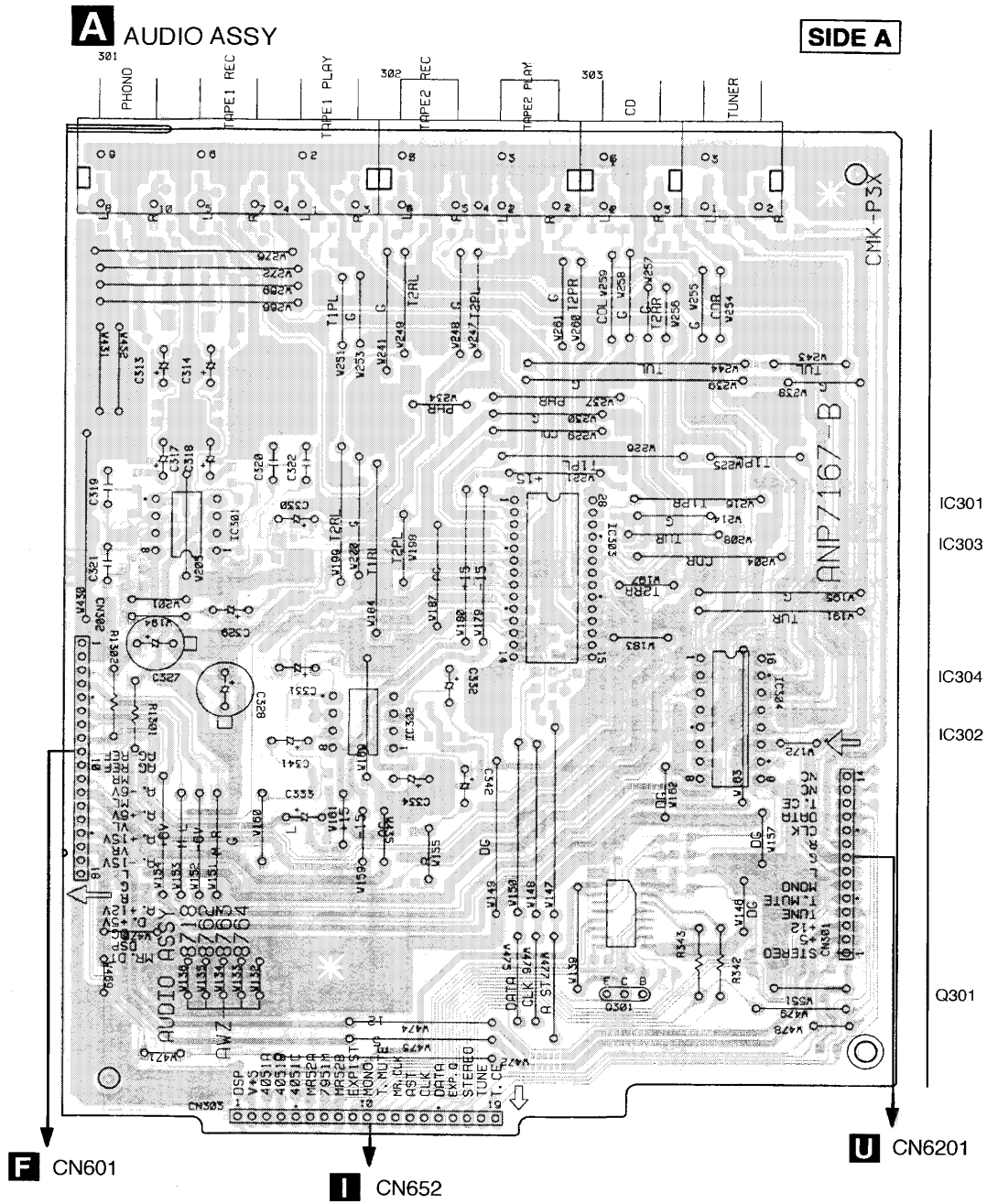


### 4.1 PRE-OUT & SR ASSY



# VSX-D906S, VSX-07TX, VSX-09TX

## 4.2 AUDIO ASSY



# VSX-D906S, VSX-07TX, VSX-09TX

## 5. PCB PARTS LIST

- NOTES: • Parts marked by "NSP" are generally unavailable because they are not in our Master Spare Parts List.  
 • The  $\Delta$  mark found on some component parts indicates the importance of the safety factor of the part. Therefore, when replacing, be sure to use parts of identical designation.  
 • When ordering resistors, first convert resistance values into code form as shown in the following examples.
- Ex.1 When there are 2 effective digits (any digit apart from 0), such as 560 ohm and 47k ohm (tolerance is shown by J = 5%, and K = 10%).
- |              |               |                             |               |     |       |                            |
|--------------|---------------|-----------------------------|---------------|-----|-------|----------------------------|
| 560 $\Omega$ | $\rightarrow$ | 56 $\times$ 10 <sup>1</sup> | $\rightarrow$ | 561 | ..... | RD1/4PU $\overline{561}$ J |
| 47k $\Omega$ | $\rightarrow$ | 47 $\times$ 10 <sup>3</sup> | $\rightarrow$ | 473 | ..... | RD1/4PU $\overline{473}$ J |
| 0.5 $\Omega$ | $\rightarrow$ | R50                         | .....         |     |       | RN2H $\overline{R50}$ K    |
| 1 $\Omega$   | $\rightarrow$ | 1R0                         | .....         |     |       | RS1P $\overline{1R0}$ K    |
- Ex.2 When there are 3 effective digits (such as in high precision metal film resistors).
- |                |               |                              |               |      |       |                             |
|----------------|---------------|------------------------------|---------------|------|-------|-----------------------------|
| 5.62k $\Omega$ | $\rightarrow$ | 562 $\times$ 10 <sup>1</sup> | $\rightarrow$ | 5621 | ..... | RN1/4PC $\overline{5621}$ F |
|----------------|---------------|------------------------------|---------------|------|-------|-----------------------------|

### ■ LIST OF WHOLE PCB ASSEMBLIES

| Mark | Symbol & Description  | Part No.      |               |               |                 |                 | Remarks |
|------|-----------------------|---------------|---------------|---------------|-----------------|-----------------|---------|
|      |                       | VSX-D906S /KU | VSX-D906S /KC | VSX-D906S /SD | VSX-07TX /KU/CA | VSX-09TX /KU/CA |         |
| NSP  | SMALL SIG. ASSY       | AWK7381       | AWK7381       | AWK7381       | AWK7365         | AWK7386         |         |
|      | └ AUDIO ASSY          | AWZ8763       | AWZ8763       | AWZ8763       | AWZ8718         | AWZ8762         |         |
| NSP  | └ AUDIO/VIDEO ASSY    | AWZ8766       | AWZ8766       | AWZ8766       | AWZ8719         | AWZ8765         |         |
|      | └ VIDEO ASSY          | AWZ8769       | AWZ8769       | AWZ8769       | AWZ8720         | AWZ8768         |         |
| NSP  | └ PRE-OUT & SR ASSY   | AWZ8774       | AWZ8774       | AWZ8774       | AWZ8722         | AWZ8773         |         |
|      | └ S-VIDEO ASSY        | AWZ8808       | AWZ8808       | AWZ8808       | AWZ8721         | AWZ8771         |         |
| NSP  | CONTROL ASSY          | AWK7382       | AWK7382       | AWK7403       | AWK7366         | AWK7366         |         |
| NSP  | └ KEY ASSY            | AWZ8724       | AWZ8724       | AWZ8724       | AWZ8724         | AWZ8724         |         |
|      | └ FL-UCOM ASSY        | AWZ8779       | AWZ8779       | AWZ8868       | AWZ8723         | AWZ8723         |         |
| NSP  | └ RMC ASSY            | AWZ8782       | AWZ8782       | AWZ8869       | AWZ8725         | AWZ8725         |         |
| NSP  | └ POWER SWITCH ASSY   | AWZ8784       | AWZ8784       | AWZ8784       | AWZ8784         | AWZ8784         |         |
| NSP  | POWER SUPPLY ASSY     | AWK7383       | AWK7383       | AWK7393       | AWK7367         | AWK7367         |         |
|      | └ SP TERMINAL ASSY    | AWZ8727       | AWZ8727       | AWZ8788       | AWZ8727         | AWZ8727         |         |
| NSP  | └ PRIMARY ASSY        | AWZ8728       | AWZ8728       | AWZ8790       | AWZ8728         | AWZ8728         |         |
|      | └ TRANS TERMINAL ASSY | AWZ8730       | AWZ8730       | AWZ8730       | AWZ8730         | AWZ8730         |         |
|      | └ POWER SUPPLY ASSY   | AWZ8792       | AWZ8792       | AWZ8870       | AWZ8729         | AWZ8729         |         |
| NSP  | CONNECTION ASSY       | AWK7384       | AWK7384       | AWK7368       | AWK7368         | AWK7368         |         |
| NSP  | └ CONNECTION ASSY     | AWZ8732       | AWZ8732       | AWZ8732       | AWZ8732         | AWZ8732         |         |
|      | └ MASTER VR ASSY      | AWZ8734       | AWZ8734       | AWZ8734       | AWZ8734         | AWZ8734         |         |
|      | └ REGULATOR (1) ASSY  | AWZ8735       | AWZ8735       | AWZ8735       | AWZ8735         | AWZ8735         |         |
|      | └ REGULATOR (2) ASSY  | AWZ8736       | AWZ8736       | AWZ8736       | AWZ8736         | AWZ8736         |         |
| NSP  | └ E VR ASSY           | AWZ8786       | AWZ8786       | AWZ8733       | AWZ8733         | AWZ8733         |         |
| NSP  | └ REGULATOR (3) ASSY  | AWZ8819       | AWZ8819       | AWZ8819       | AWZ8819         | AWZ8819         |         |
|      | └ V-AMP ASSY          | AWZ8874       | AWZ8874       | AWZ8874       | AWZ8874         | AWZ8874         |         |
| NSP  | POWER AMP ASSY        | AWK7385       | AWK7385       | AWK7364       | AWK7364         | AWK7364         |         |
|      | └ CURR DRIVE ASSY     | AWZ8717       | AWZ8717       | AWZ8717       | AWZ8717         | AWZ8717         |         |
|      | └ VOLTAGE AMP ASSY    | AWZ8776       | AWZ8776       | AWZ8716       | AWZ8716         | AWZ8716         |         |
|      | DOLBY DIGITAL ASSY    | AWX7038       | AWX7038       | AWX7038       | AWX7038         | AWX7038         |         |
|      | FM/AM TUNER MODULE    | AXQ7219       | AXQ7219       | AXQ1012       | AXQ7219         | AXQ7219         |         |
|      | LIMITTER ASSY         | Not used      | Not used      | AWK7406       | AWK7406         | AWK7406         |         |

■ **CONTRAST OF PCB ASSEMBLIES**

**AUDIO ASSY**

AWZ8718, AWZ8762 and AWZ8763 have the same construction except for the following:

| Mark | Symbol & Description  | Part No.   |  |   | Remarks |
|------|---|--|--|---|---------|
|      |   | AWZ8763  | AWZ8718  | AWZ8762   |         |
|      | IC304<br>C338, C343<br>R338, R339<br>301 Pin Jack (6P)<br>302 Pin Jack (6P) | Not used<br>Not used<br>Not used<br>AKB7012<br>AKB7013 | TC4052BP<br>CKSQYB103K50<br>RS1/10S102J<br>AKB7012<br>Not used | TC4052BP<br>CKSQYB103K50<br>RS1/10S102J<br>AKB7073<br>AKB7074 |         |
|      | 302 Pin Jack (4P)<br>303 Pin Jack (2P)                                      | Not used<br>Not used                                   | AKB7014<br>AKB7019   | Not used<br>Not used  |         |

**VIDEO ASSY**

AWZ8720, AWZ8768 and AWZ8769 have the same construction except for the following:

| Mark | Symbol & Description   | Part No.   |  |  | Remarks |
|------|--|--|--|--|---------|
|      |  | AWZ8769  | AWZ8720  | AWZ8768  |         |
|      | IC401<br>C405<br>C406<br>C407, C409 – C411<br>C408                     | Not used<br>Not used<br>Not used<br>Not used<br>Not used | LA7952<br>CEAS471M10<br>CKSQYF473Z50<br>CEAS470M25<br>CKSQYB103K50 | LA7952<br>CEAS471M10<br>CKSQYF473Z50<br>CEAS470M25<br>CKSQYB103K50 |         |
|      | R405<br>R406<br>R407, R408<br>402 Pin Jack (2P)<br>403 3P RCA Pin Jack | Not used<br>Not used<br>Not used<br>AKB7017<br>AKB7018   | RS1/10S750J<br>RS1/10S103J<br>RS1/10S102J<br>AKB7076<br>AKB7018    | RS1/10S750J<br>RS1/10S103J<br>RS1/10S102J<br>AKB7076<br>AKB7077    |         |
|      | 404 Pin Jack (3P)<br>405 Pin Jack (2P)                                 | Not used<br>AKB7016                                      | AKB7018<br>Not used  | AKB7077<br>Not used  |         |

**PRE-OUT & SR ASSY**

AWZ8722, AWZ8773 and AWZ8774 have the same construction except for the following:

| Mark | Symbol & Description   | Part No.   |  |  | Remarks |
|------|--|--|--|--|---------|
|      |  | AWZ8774  | AWZ8722  | AWZ8773  |         |
|      | Q553<br>D553, D556, D557<br>R556, R568<br>R557<br>R559, R560 | Not used<br>Not used<br>Not used<br>Not used<br>Not used | 2SA1048<br>1SS355<br>RS1/10S102J<br>RS1/10S103J<br>RS1/10S224J | 2SA1048<br>1SS355<br>RS1/10S102J<br>RS1/10S103J<br>RS1/10S224J |         |
|      | 552 Jack<br>CN556 Pin Jack (6P)                              | Not used<br>BKB1012                                      | AKN1020<br>BKB1012   | AKN1020<br>AKB7093   |         |

**S-VIDEO ASSY**

AWZ8721, AWZ8771 and AWZ8808 have the same construction except for the following:

| Mark | Symbol & Description                             | Part No.   |  |  | Remarks |
|------|--|--|--|--|---------|
|      |  | AWZ8808  | AWZ8721  | AWZ8771  |         |
|      | C527, C532<br>C531<br>C550<br>R519<br>R520, R526 | CKSQYB103K50<br>Not used<br>Not used<br>Not used<br>Not used | Not used<br>CKSQYB104K25<br>CEAS470M25<br>RS1/10S102J<br>RS1/10S101J | Not used<br>CKSQYB104K25<br>CEAS470M25<br>RS1/10S102J<br>RS1/10S101J |         |
|      | CN503, CN504 Socket<br>CN505 Socket              | AKP7010<br>AKP7009   | AKP7010<br>AKP7009   | AKP7012<br>AKP7011   |         |

## VSX-D906S, VSX-07TX, VSX-09TX

### FL-UCOM ASSY

AWZ8868, AWZ8723 and AWZ8779 have the same construction except for the following:

| Mark | Symbol & Description | Part No.              |                       |                      | Remarks |
|------|----------------------|-----------------------|-----------------------|----------------------|---------|
|      |                      | AWZ8779               | AWZ8868               | AWZ8723              |         |
|      | D841<br>D843         | HSS104-02<br>Not used | Not used<br>HSS104-02 | Not used<br>Not used |         |

### RMC ASSY

AWZ8869, AWZ8725 and AWZ8782 have the same construction except for the following:

| Mark | Symbol & Description               | Part No.                                     |   |   | Remarks |
|------|------------------------------------|--|---|---|---------|
|      |                                    | AWZ8782                                      | AWZ8869                                     | AWZ8725   |         |
|      | D883, D884<br>S833<br>S835<br>R891 | Not used<br>Not used<br>Not used<br>Not used | Not used<br>Not used<br>VSG1008<br>Not used | SLR-342YCT31<br>VSG1008<br>VSG1008<br>RD1/4PU680J |         |

### SP TERMINAL ASSY

AWZ8788 and AWZ8727 have the same construction except for the following:

| Mark | Symbol & Description   | Part No.                       |                               | Remarks |
|------|--|--------------------------------|-------------------------------|---------|
|      |  | AWZ8727                        | AWZ8788                       |         |
|      | S271, S272<br>CN278 Speaker Terminal 8-P<br>CN279 Speaker Terminal 6-P | Not used<br>AKE7033<br>AKE7034 | ASH1027<br>AKE7044<br>AKE7045 |         |

### PRIMARY ASSY

AWZ8790 and AWZ8728 have the same construction except for the following:

| Mark | Symbol & Description  | Part No.   |  | Remarks |
|------|---|--|--|---------|
|      |   | AWZ8728  | AWZ8790  |         |
| △    | T121<br>R121<br>H121, H122 Holder<br>H123 - H126 Holder<br>J124 | ATT1223<br>ACN-208 (2.2MΩ 1/2W)<br>RKR1003<br>Not used<br>Not used | ATT1193<br>Not used<br>Not used<br>RKR1003<br>DB117EB0   |         |
| NSP  | J123<br>J126<br>J127<br>J128<br>J129                            | Not used<br>Not used<br>Not used<br>Not used<br>Not used           | DB617EB0<br>DB418EB0<br>DB420EB0<br>DB920EB0<br>DB220EB0 |         |
| NSP  | 123 Ground Plate  | VNF-091  | Not used   |         |
| NSP  | Y55   | ADX7140  | Not used   |         |
| NSP  | Y125  | ADX1930  | Not used   |         |

### POWER SUPPLY ASSY

AWZ8870, AWZ8729 and AWZ8792 have the same construction except for the following:

| Mark | Symbol & Description  | Part No.  |   |   | Remarks |
|------|---|---|---|---|---------|
|      |   | AWZ8792   | AWZ8870   | AWZ8729   |         |
|      | C152, C153<br>C171<br>C172<br>R165, R166<br>CN156 Pin Jack (3P) | ACH7057<br>(22000µF/50V)<br>Not used<br>Not used<br>Not used<br>AKB7085 | ACH7068<br>(22000µF/56V)<br>Not used<br>Not used<br>Not used<br>AKB7085 | ACH7057<br>(22000µF/50V)<br>CEAS470M25<br>CGCYX473M25<br>RD1/4PU750J<br>AKX7007 |         |

# VSX-D906S, VSX-07TX, VSX-09TX

## FM/AM TUNER MODULE

AXQ1012 and AXQ7219 have the same construction except for the following:

| Mark | Symbol & Description   | Part No.   |  | Remarks |
|------|--|--|--|---------|
|      |  | AXQ7219  | AXQ1012  |         |
|      | F6202<br>C6230<br>C6232<br>BN6201 Terminal 4-P<br>AM RF Tuning Block | ATF1156<br>CKSQYB393K50<br>CKSYB393K50<br>AKE7028<br>AXX1025 | ATF1155<br>CKSQYB333K50<br>CKSYB333K50<br>AKA1016<br>AXX1041 |         |

## **B** AUDIO/VIDEO ASSY (AWZ8719 : FOR VSX-07TX)

AWZ8765 and AWZ8719 have the same construction except for the following:

| Mark | Symbol & Description | AWZ8719 | AWZ8765 | Remarks |
|------|----------------------|---------|---------|---------|
|      | 352 Pin Jack (4P)    | AKB7014 | AKB7070 |         |
|      | 353 Pin Jack (6P)    | AKB7013 | AKB7074 |         |

Mark No. Description Parts No.

### SEMICONDUCTORS

|              |           |
|--------------|-----------|
| IC354, IC355 | NJM4558DX |
| IC352        | TC4052BP  |
| IC351        | TC9162AN  |
| IC353        | TC9210P   |
| Q351, Q352   | 2SC2878   |
| Q353         | DTC124ES  |

### CAPACITORS

|                         |              |
|-------------------------|--------------|
| C363, C364, C387, C388  | CCSQCH101J50 |
| C365, C370              | CCSQCH102J50 |
| C371, C372, C375, C376  | CEAS100M50   |
| C379 - C382             | CEAS100M50   |
| C366 - C369, C373, C374 | CKSQYB103K50 |
| C377, C378, C385, C386  | CKSQYB103K50 |
| C1555                   | CKSQYB473K50 |

### RESISTORS

|                 |             |
|-----------------|-------------|
| R385            | RD1/4PU103J |
| R381            | RD1/4PU183J |
| Other Resistors | RS1/10S□□□J |

### OTHERS

|       |                  |                     |
|-------|------------------|---------------------|
| J38   | JUMPER WIRE      | D15A03 - 100 - 2651 |
| 353   | PIN JACK(6P)     | AKB7013             |
| 352   | PIN JACK(4P)     | AKB7014             |
| 351   | PIN JACK(4P)     | AKB7075             |
| 360   | CABLE HOLDER(3P) | 51063 - 0305        |
| CN351 | PLUG 3-P         | KM250MA3            |
| CN353 | 17P SOCKET       | KP200TA17L          |
| CN352 | 9P SOCKET        | KP200TA9L           |

Mark No. Description Parts No.

## **F** E VR ASSY (AWZ8733 : FOR SD AND KU/CA TYPES)

### SEMICONDUCTORS

|                      |           |
|----------------------|-----------|
| IC611                | UPC4570C  |
| IC601, IC603 - IC606 | NJM4558DX |
| IC615                | NJM78L06A |
| IC616                | NJM79L06A |
| IC607                | TC9163AN  |
| IC608 - IC610        | TC9299P   |
| IC602, IC612         | UPC4570C  |
| IC613, IC614         | UPC4570G2 |
| Q601, Q602           | 2SC2458   |
| Q603, Q604           | 2SC2878   |
| Q605                 | DTA124ES  |
| D601                 | ISS355    |
| D603 - D606          | HSS104-02 |
| D602                 | MTZJ5.1B  |

### CAPACITORS

|                              |              |
|------------------------------|--------------|
| C667, C668                   | CEAS101M25   |
| C1601                        | CEAS1R0M50   |
| C1602, C1603                 | CEAS2R2M50   |
| C697, C698                   | CEAS470M25   |
| C607, C608, C616, C633, C634 | CEAS4R7M50   |
| C653 - C656, C659, C660      | CEAS4R7M50   |
| C683 - C694                  | CEAS4R7M50   |
| C661, C664, C671, C678       | CKSQYB102K50 |
| C609, C610, C617, C618       | CKSQYB103K50 |
| C635, C636, C639, C640       | CKSQYB103K50 |
| C643, C644, C647, C648       | CKSQYB103K50 |
| C657, C658, C665, C666       | CKSQYB103K50 |
| C672, C673, C679, C680       | CKSQYB103K50 |
| C695, C696                   | CKSQYB103K50 |
| C1605, C1606                 | CKSQYB152K50 |
| C651, C652, C662, C663       | CKSQYF473Z50 |
| C669, C670, C676, C677       | CKSQYF473Z50 |
| C1607, C1608                 | CQMA104J50   |
| C1609, C1610                 | CQMA332J50   |
| C621 - C624                  | CQPA103G2A   |

# VSX-D906S, VSX-07TX, VSX-09TX

| Mark | No.                     | Description | Parts No.  |
|------|-------------------------|-------------|------------|
|      | C601 - C604, C613, C614 |             | CQPA122G2A |
|      | C645, C646, C649, C650  |             | CQPA152G2A |
|      | C625, C626              |             | CQPA182G2A |
|      | C605, C606, C615        |             | CQPA222G2A |
|      | C627, C628              |             | CQPA271G2A |
|      | C637, C638, C641, C642  |             | CQPA272G2A |
|      | C629 - C632             |             | CQPA273G2A |

## RESISTORS

|                          |              |
|--------------------------|--------------|
| R1613, R1614, R637, R638 | RN1/4PC1332F |
| R633, R634               | RN1/4PC1822F |
| R621, R622               | RN1/4PC2551F |
| R645, R646               | RN1/4PC3242F |
| R625, R626               | RN1/4PC3322F |
| R629, R630               | RN1/4PC3572F |
| R631, R632               | RN1/4PC4021F |
| R643, R644               | RN1/4PC4022F |
| R639, R640               | RN1/4PC5111F |
| R641, R642               | RN1/4PC5491F |
| R627, R628               | RN1/4PC5762F |
| R697, R698               | RN1/4PC7501F |
| R623, R624               | RN1/4PC8250F |
| R635, R636               | RN1/4PC9311F |
| R607, R608, R616         | RS1/10S1002F |
| R605, R606, R615         | RS1/10S1802F |
| R603, R604, R614         | RS1/10S2201F |
| R609, R610, R617         | RS1/10S4701F |
| R601, R602, R613         | RS1/10S6801F |
| R695, R696               | RS1LMF101J   |

Other Resistors RS1/10S□□□J

## OTHERS

|              |                           |            |
|--------------|---------------------------|------------|
| 610          | CABLE HOLDER(14P)         | 51063-1405 |
| CN609        | 11PJUMPER CONNECTOR       | 52147-1110 |
| CN608        | 15PJUMPER CONNECTOR       | 52147-1510 |
| CN603        | 10P PLUG                  | KM200TA10  |
| CN604        | 12P PLUG                  | KM200TA12  |
| CN606, CN612 | 13P PLUG                  | KM200TA13  |
| CN602        | 17P PLUG                  | KM200TA17  |
| CN601        | 18P PLUG                  | KM200TA18  |
| CN605        | 5P PLUG                   | KM200TA5   |
| CN607        | 7P PLUG                   | KM200TA7   |
| CN611        | PLUG 5-P                  | KM250MA5   |
| CN613        | JUMPER CONNECTOR 3-P KPC3 |            |

## **N** VOLTAGE AMP ASSY (AWZ8716 : FOR SD AND KU/CA TYPES)

### SEMICONDUCTORS

|                          |           |
|--------------------------|-----------|
| IC901 - IC903            | NJM4558DX |
| Q916 - Q920              | 2SA1048   |
| Q1062, Q943, Q944        | 2SA965    |
| Q901 - Q910, Q921 - Q925 | 2SA970    |
| Q936 - Q940              | 2SA970    |

| Mark | No.                      | Description | Parts No. |
|------|--------------------------|-------------|-----------|
|      | Q1061, Q941, Q942        |             | 2SC2235   |
|      | Q926 - Q935, Q947        |             | 2SC2240   |
|      | Q911 - Q915, Q945        |             | 2SC2458   |
|      | Q946                     |             | DTA124ES  |
|      | D911 - D925, D927 - D930 |             | 1SS355    |
|      | D951 - D960              |             | 1SS355    |
|      | D935                     |             | UDZ16B    |
|      | D931, D932, D938, D939   |             | UDZ22B    |
|      | D933, D934, D936, D937   |             | UDZ24B    |
|      | D941 - D945              |             | UDZ6.8B   |
|      | D946 - D950              |             | UDZ8.2B   |

## CAPACITORS

|                              |              |
|------------------------------|--------------|
| C1071 - C1080                | CCCSL181K2H  |
| C951 - C960                  | CCCSL560K2H  |
| C966 - C970                  | CCCSL5R0C2H  |
| C981 - C985                  | CCSQCH101J50 |
| C1089, C1090                 | CEAS101M50   |
| C971                         | CEAS470M2A   |
| C931 - C935, C941 - C945     | CEJA100M50   |
| C961 - C965                  | CEJA101M16   |
| C1086, C1087                 | CEJA1R0M50   |
| C1081 - C1085, C1101 - C1105 | CEJA470M16   |
| C946 - C950                  | CKSQYB182K50 |
| C936 - C940                  | CKSQYB221K50 |
| C976 - C980                  | CKSQYB222K50 |
| C1088                        | CKSQYF223Z50 |

## RESISTORS

|               |              |
|---------------|--------------|
| R1201, R1202  | RD1/4LMF472J |
| R1126 - R1130 | RD1/4MUF473J |
| R1153, R1154  | RD1/4MUF4R7J |

Other Resistors RS1/10S□□□J

## OTHERS

|       |                   |            |
|-------|-------------------|------------|
| 901   | CABLE HOLDER(6P)  | 51052-0600 |
| 902   | CABLE HOLDER(5P)  | 51063-0505 |
| 903   | CABLE HOLDER(15P) | 51063-1505 |
| CN904 | PLUG 3-P          | KM250MA3   |
| CN903 | 14P SOCKET        | KP200TA14L |
| CN901 | CONNECTOR(15P)    | KPE15      |
|       | PCB BINDER        | VEF1040    |

## **P** LIMITER ASSY (AWK7406 : FOR SD AND KU/CA TYPES)

### SEMICONDUCTORS

|                              |           |
|------------------------------|-----------|
| IC1205, IC1206               | NJM2058D  |
| IC1204                       | NJM4558DX |
| IC1201 - IC1203              | UPC4570C  |
| Q1201 - Q1205                | 2SC2878   |
| D1201 - D1205, D1211 - D1215 | HSS104-02 |
| D1206 - D1210, D1216 - D1220 | HZS2CLL   |

### CAPACITORS

|               |             |
|---------------|-------------|
| C1216 - C1225 | CCCCH220J50 |
| C1201 - C1205 | CEAS100M50  |
| C1231 - C1235 | CEJA4R7M35  |
| C1206 - C1211 | CFTXA104J50 |

# VSX-D906S, VSX-07TX, VSX-09TX

Mark No. Description Parts No.

## RESISTORS

All Resistors RD1/4PU□□□J

## OTHERS

I202 CABLE HOLDER(3P) 51063-0305  
I201 CABLE HOLDER(15P) 51063-1505  
CN1201 CONNECTOR(15P) KPE15

## ■ PARTS LIST FOR VSX-D906S/KU

### **A** AUDIO ASSY

#### SEMICONDUCTORS

IC305 BU4094BCF  
IC301 M5220P  
IC302 NJM4558DX  
IC303 TC9164AN  
Q301 2SC2458

#### CAPACITORS

C335, C336, C1312 CCSQCH101J50  
C1301, C1344, C337, C344 CCSQCH102J50  
C313, C314 CEAS100M50  
C333, C334 CEAS101M25  
C329 - C332 CEAS2R2M50  
  
C327, C328 CEAS331M25  
C317, C318, C341, C342 CEAS470M25  
C1311 CKSQYB102K50  
C345, C346 CKSQYB103K50  
C321, C322 CQMA242J50  
  
C319, C320 CQMA822J50

#### RESISTORS

R342, R343 RD1/4PU102J  
R1301, R1302 RD1/4PU331J

Other Resistors RS1/10S□□□J

## OTHERS

301 PIN JACK(6P) AKB7012  
302 PIN JACK(6P) AKB7013  
CN301 14P PLUG KM2001B14  
CN302 18P SOCKET KP200TA18L  
CN303 19P SOCKET KP200TA19L

### **B** AUDIO/VIDEO ASSY

#### SEMICONDUCTORS

IC351 TC9162AN

#### CAPACITORS

C363, C364 CCSQCH101J50  
C365 CCSQCH102J50  
C366, C367 CKSQYB103K50  
C1555 CKSQYB473K50

#### RESISTORS

All Resistors RS1/10S□□□J

## OTHERS

360 CABLE HOLDER(3P) 51063-0305  
352 PIN JACK(6P) AKB7013  
CN354 PIN JACK(6P) AKB7009  
J38 JUMPER WIRE D15A03-100-2651  
CN351 PLUG 3-P KM250MA3

Mark No. Description Parts No.

CN353 17P SOCKET KP200TA17L  
CN352 9P SOCKET KP200TA9L

### **D** VIDEO ASSY

#### SEMICONDUCTORS

IC406 BU4094BCF  
IC408 LA7213  
IC405 LA7951  
IC403 MM1067XD  
IC402 NJM2534L

IC404 PD6178A  
IC409 UPC78L05J  
Q403 - Q409, Q411, Q412 2SA1048  
Q401, Q402, Q413, Q414 2SC2458  
Q410, Q415, Q475 DTC124ES

D406 1SS252  
D401 - D405 1SS355

#### COILS AND FILTERS

L401 LCTA220J3225

#### CAPACITORS

C431, C468 CCSQCH101J50  
C430, C457 CCSQCH102J50  
C436, C437 CCSQCH150J50  
C423 CCSQCH221J50  
C433, C473 CCSQCH330J50

C428 CCSQCH471J50  
C425, C426 CCSQCH561J50  
C444, C448, C456, C461 CCSQCH5R0C50  
C471, C472 CCSQCH5R0C50  
C418, C450, C454, C465, C466 CEAS100M50

C421, C424, C427 CEAS1R0M50  
C439 CEAS3R3M50  
C401 - C404, C412, C415, C417 CEAS470M25  
C435, C440 - C442, C446, C458 CEAS470M25  
C462, C467, C469 CEAS470M25

C445, C449, C464 CEAS471M10  
C429 CEASR47M50  
C413, C414, C416, C419, C434 CKSQYB103K50  
C438, C443, C447, C459, C463 CKSQYB103K50  
C451 - C453, C455, C470 CKSQYB104K25

C422 CKSQYB332K50  
C420, C1554 CKSQYB473K50

#### RESISTORS

R459 RD1/2PM221J  
R441, R446 RD1/2PM331J  
R462 RD1/2PM680J  
R469, R470 RD1/4PU101J  
R475 RD1/4PU223J

R467 RD1/4PU331J  
R468 RD1/4PU472J

Other Resistors RS1/10S□□□J



# VSX-D906S, VSX-07TX, VSX-09TX

Mark No. Description Parts No.

## OTHERS

|      |                            |            |
|------|----------------------------|------------|
| 401  | CABLE HOLDER(14P)          | 51063-1405 |
| 402  | PIN JACK(2P)               | AKB7017    |
| 405  | PIN JACK(2P)               | AKB7016    |
| 403  | 3P RCA PINJACK             | AKB7018    |
| X402 | CERAMIC RESONATOR (503kHz) | ASS1056    |

|       |                   |            |
|-------|-------------------|------------|
| X401  | CRYSTAL RESONATOR | ASS1112    |
| CN402 | 10P SOCKET        | KP200TA10L |

## **C** PRE-OUT & SR ASSY

### SEMICONDUCTORS

|                  |  |         |
|------------------|--|---------|
| Q552             |  | 2SA1048 |
| Q551             |  | 2SC2458 |
| Q555 - Q560      |  | 2SC2878 |
| D551, D554, D555 |  | 1SS355  |

### COILS AND FILTERS

|             |              |
|-------------|--------------|
| L551 - L556 | LCTA221J3225 |
|-------------|--------------|

### CAPACITORS

|             |              |
|-------------|--------------|
| C551 - C556 | CCSQCH101J50 |
|-------------|--------------|

### RESISTORS

|      |             |
|------|-------------|
| R554 | RD1/4PU102J |
| R578 | RD1/4PU103J |

|                 |             |
|-----------------|-------------|
| Other Resistors | RS1/10S□□□J |
|-----------------|-------------|

### OTHERS

|       |                   |            |
|-------|-------------------|------------|
| 551   | CABLE HOLDER(15P) | 51063-1505 |
| CN553 | JACK              | AKN1006    |
| CN556 | PIN JACK(6P)      | BKB1012    |
| CN558 | PLUG 3-P          | KM250MA3   |
| CN551 | 5P SOCKET         | KP200TA5L  |

|       |               |      |
|-------|---------------|------|
| CN554 | CONNECTOR(4P) | KPE4 |
|-------|---------------|------|

## **E** S-VIDEO ASSY

### SEMICONDUCTORS

|                        |          |
|------------------------|----------|
| IC504, IC505           | LA7951   |
| IC501, IC502           | NJM2534L |
| IC503                  | TC4051BP |
| Q501 - Q506, Q509      | 2SA1048  |
| Q508, Q510, Q514, Q515 | 2SC2458  |

|             |        |
|-------------|--------|
| D501 - D504 | 1SS355 |
|-------------|--------|

### CAPACITORS

|                                   |              |
|-----------------------------------|--------------|
| C536, C538, C540, C542, C544      | CCSQCH5R0C50 |
| C546                              | CCSQCH5R0C50 |
| C1501, C1503, C1505, C1507, C1509 | CEAS470M25   |
| C501, C505, C509, C513, C518      | CEAS470M25   |
| C520, C521, C528, C529            | CEAS470M25   |

|                                   |              |
|-----------------------------------|--------------|
| C533, C534, C549                  | CEAS470M25   |
| C537, C539, C541                  | CEAS471M10   |
| C1502, C1504, C1506, C1508, C1510 | CKSQYB103K50 |
| C504, C508, C512, C516, C517      | CKSQYB103K50 |
| C519, C522, C523, C525 - C527     | CKSQYB103K50 |

|                              |              |
|------------------------------|--------------|
| C530, C532, C535, C548       | CKSQYB103K50 |
| C502, C506, C511, C515, C524 | CKSQYB104K25 |
| C543, C545, C547             | CKSQYB104K25 |
| C503, C507, C510, C514       | CKSQYB473K50 |

Mark No. Description Parts No.

## RESISTORS

|                         |             |
|-------------------------|-------------|
| R1504, R541             | RD1/2PM221J |
| R1501, R532, R537, R546 | RD1/2PM331J |
| R1516                   | RD1/4PU103J |

|                 |             |
|-----------------|-------------|
| Other Resistors | RS1/10S□□□J |
|-----------------|-------------|

## OTHERS

|              |                  |            |
|--------------|------------------|------------|
| 501          | CABLE HOLDER(9P) | 51063-0905 |
| CN505        | SOCKET           | AKP7009    |
| CN503, CN504 | SOCKET           | AKP7010    |
| CN502        | 12P SOCKET       | KP200TA12L |
| 361          | PCB BINDER       | VEF1040    |

## **Y** KEY ASSY

### SEMICONDUCTORS

|             |              |
|-------------|--------------|
| D867 - D870 | SLR-342VRT31 |
|-------------|--------------|

### SWITCHES AND RELAYS

|             |         |
|-------------|---------|
| S828 - S832 | VSG1008 |
|-------------|---------|

### RESISTORS

|               |             |
|---------------|-------------|
| All Resistors | RD1/4PU□□□J |
|---------------|-------------|

### OTHERS

|     |                  |            |
|-----|------------------|------------|
| 807 | CABLE HOLDER(9P) | 51063-0905 |
|-----|------------------|------------|

## **V** FL-UCOM ASSY

### SEMICONDUCTORS

|             |            |
|-------------|------------|
| IC803       | M66311FP   |
| IC801       | PDG191A    |
| IC802       | S-24C16ADP |
| Q805 - Q811 | DTA124ES   |
| Q801 - Q804 | DTC124ES   |

|                               |              |
|-------------------------------|--------------|
| D801, D802, D804, D807 - D813 | HSS104-02    |
| D822 - D830, D839, D841       | HSS104-02    |
| D861 - D866                   | HSS104-02    |
| D814                          | SLR-342VRT31 |
| D815 - D821                   | SLR-342YCT31 |

### COILS AND FILTERS

|      |         |
|------|---------|
| L801 | LAU220J |
|------|---------|

### SWITCHES AND RELAYS

|                   |         |
|-------------------|---------|
| S801 - S827, S850 | VSG1008 |
|-------------------|---------|

### CAPACITORS

|            |            |
|------------|------------|
| C807       | CEAS101M10 |
| C805       | CEAS1R0M50 |
| C808       | CEAS220M50 |
| C815       | CEJA100M50 |
| C801, C804 | CEJA221M10 |

|                               |              |
|-------------------------------|--------------|
| C802, C803                    | CKCYF473Z50  |
| C821 - C824                   | CKPUYB102K50 |
| C806, C809, C810, C816 - C818 | CKPUYF473Z16 |

### RESISTORS

|      |           |
|------|-----------|
| R812 | RA11T472J |
| R811 | RA6T472J  |

|                 |             |
|-----------------|-------------|
| Other Resistors | RD1/4PU□□□J |
|-----------------|-------------|

# VSX-D906S, VSX-07TX, VSX-09TX

Mark No. Description Parts No.

## OTHERS

|               |                   |            |
|---------------|-------------------|------------|
| 802           | CABLE HOLDER(7P)  | 51063-0705 |
| 801, 804, 806 | CABLE HOLDER(9P)  | 51063-0905 |
| 805           | CABLE HOLDER(11P) | 51063-1105 |
| 803           | CABLE HOLDER(12P) | 51063-1205 |
| CN801         |                   | 52044-2945 |

|      |                             |         |
|------|-----------------------------|---------|
| V801 | FL TUBE                     | AAV7037 |
| X801 | CERAMIC RESONATOR (7.70MHz) | ASS1055 |

## **W** RMC ASSY

### SEMICONDUCTORS

|            |           |
|------------|-----------|
| Q821, Q822 | 2SC2458   |
| Q823, Q824 | DTC124ES  |
| D881, D885 | HSS104-02 |

### SWITCHES AND RELAYS

|                   |         |
|-------------------|---------|
| S834, S836 - S838 | VSG1008 |
|-------------------|---------|

### CAPACITORS

|      |             |
|------|-------------|
| C831 | CKCYF103Z50 |
|------|-------------|

### RESISTORS

|               |             |
|---------------|-------------|
| All Resistors | RD1/4PU□□□J |
|---------------|-------------|

## OTHERS

|       |                      |            |
|-------|----------------------|------------|
| 809   | CABLE HOLDER(4P)     | 51063-0405 |
| 810   | REMOTE RECEIVER UNIT | GPIU27X    |
| CN802 | CONNECTOR(11P)       | KPE11      |

## **X** POWER SWITCH ASSY

### SEMICONDUCTORS

|      |              |
|------|--------------|
| D882 | SLR-342VRT31 |
|------|--------------|

### SWITCHES AND RELAYS

|      |         |
|------|---------|
| S839 | VSG1008 |
|------|---------|

## OTHERS

|       |               |      |
|-------|---------------|------|
| CN804 | CONNECTOR(4P) | KPE4 |
|-------|---------------|------|

## **Q** SP TERMINAL ASSY

### SEMICONDUCTORS

|             |            |
|-------------|------------|
| Q271 - Q274 | 2SC2240    |
| Q203        | 2SC4793    |
| Q201        | DTA124ES   |
| Q202        | DTC143ES   |
| D201, D202  | D3SBA20(B) |

|                        |             |
|------------------------|-------------|
| D271, D273, D275, D277 | HSS104 - 02 |
| D211                   | MTZJ24B     |
| D203, D204             | S5688G      |

### SWITCHES AND RELAYS

|               |         |
|---------------|---------|
| RY271 - RY275 | ASR1035 |
|---------------|---------|

### CAPACITORS

|             |             |
|-------------|-------------|
| C202, C204  | CEAS222M25  |
| C205        | CEAS470M50  |
| C203        | CEAS472M16  |
| C201        | CEAS472M25  |
| C281 - C287 | CKCYB102K2H |

Mark No. Description Parts No.

## RESISTORS

|                  |             |
|------------------|-------------|
| R204             | RD1/2PM561J |
| R291             | RD1/4PM181J |
| R271, R274, R279 | RS2LMF122J  |
| R201, R202       | RS2LMF470J  |

|                 |             |
|-----------------|-------------|
| Other Resistors | RD1/4PU□□□J |
|-----------------|-------------|

## OTHERS

|       |                        |              |
|-------|------------------------|--------------|
| 272   | CABLE HOLDER(4P)       | 51063 - 0405 |
| CN278 | SPEAKER TERMINAL 8 - P | AKE7033      |
| CN279 | SPEAKER TERMINAL 6 - P | AKE7034      |
| CN276 | CONNECTOR(10P)         | KPC10        |
| CN280 | CONNECTOR(5P)          | KPC5         |

|       |                |       |
|-------|----------------|-------|
| CN273 | CONNECTOR(12P) | KPE12 |
| CN277 | CONNECTOR(14P) | KPE14 |
| CN271 | CONNECTOR(4P)  | KPE4  |
| CN275 | CONNECTOR(5P)  | KPE5  |
| CN274 | CONNECTOR(6P)  | KPE6  |

|       |               |      |
|-------|---------------|------|
| CN272 | CONNECTOR(7P) | KPE7 |
|-------|---------------|------|

## **S** PRIMARY ASSY

### SEMICONDUCTORS

|            |             |
|------------|-------------|
| Q121       | DTC143ES    |
| D122, D124 | HSS104 - 02 |
| D125       | MTZJ5.1A    |
| D123       | MTZJ5.6A    |
| D121       | S5688G      |

### COILS AND FILTERS

|        |              |         |
|--------|--------------|---------|
| △ L121 | (0.3mH/270V) | ATF1006 |
|--------|--------------|---------|

### TRANSFORMERS

|        |         |
|--------|---------|
| △ T121 | ATT1223 |
|--------|---------|

### SWITCHES AND RELAYS

|         |         |
|---------|---------|
| △ RY121 | ASR1036 |
|---------|---------|

### CAPACITORS

|              |                |         |
|--------------|----------------|---------|
| △ C121       | (0.1μF/250V)   | ACE7004 |
| △ C122, C123 | (10000pF/250V) | ACG7020 |
| C125         | CEAS102M16     |         |
| C126         | CEAS470M25     |         |
| C124         | CKCYF103Z50    |         |

### RESISTORS

|      |               |             |
|------|---------------|-------------|
| R121 | (2.2MΩ, 1/2W) | ACN - 208   |
| R123 |               | RD1/2PM270J |
| R122 |               | RS2LMF121J  |

|                 |             |
|-----------------|-------------|
| Other Resistors | RD1/4PU□□□J |
|-----------------|-------------|

## OTHERS

|            |                  |              |
|------------|------------------|--------------|
| 122        | CABLE HOLDER(4P) | 51063 - 0405 |
| 121        | AC OUTLET 3P     | AKP1053      |
| H121, H122 | HOLDER           | RKR1003      |
| 123        | GROUND PLATE     | VNF - 091    |

## **T** TRANS TERMINAL ASSY

### SEMICONDUCTORS

|              |           |         |
|--------------|-----------|---------|
| IC103        | (3A/125V) | AEK7015 |
| IC101, IC102 | (5A/125V) | AEK7019 |
| D101 - D104  |           | S5688G  |

# VSX-D906S, VSX-07TX, VSX-09TX

Mark No. Description Parts No.

## CAPACITORS

|            |             |
|------------|-------------|
| C106, C107 | CEAS221M25  |
| C108, C109 | CEAS221M50  |
| C101       | CGCYX104M25 |

## RESISTORS

|               |             |
|---------------|-------------|
| All Resistors | RD1/4PM□□□□ |
|---------------|-------------|

## OTHERS

|          |                  |              |
|----------|------------------|--------------|
| 103      | CABLE HOLDER(3P) | 51052 - 0300 |
| 101, 102 | CABLE HOLDER(5P) | 51052 - 0500 |

## **R** POWER SUPPLY ASSY

### SEMICONDUCTORS

|             |            |
|-------------|------------|
| Q151        | 2SA970     |
| Q152        | 2SC2240    |
| Q153        | DTC143ES   |
| D151, D152  | DSSBA20(B) |
| D157        | MTZJ24B    |
| D158        | MTZJ6.8A   |
| D153 - D156 | S5688G     |

### CAPACITORS

|                   |               |             |
|-------------------|---------------|-------------|
| C155              | (0.01μF/150V) | ACG1005     |
| C152, C153        | (22000μF/50V) | ACH7057     |
| C159              |               | CEAS101M25  |
| C160              |               | CEAS101M50  |
| C157              |               | CEAS102M63  |
| C158              |               | CEAS221M50  |
| C161, C166 - C168 |               | CGCYX104M25 |
| C151              |               | CQMA473K2E  |
| C156              | (2200pF/63V)  | RCH1144     |

### RESISTORS

|                 |             |
|-----------------|-------------|
| R171, R172      | RD1/2PM682J |
| R152            | RS1LMF152J  |
| R160, R161      | RS2LMF331J  |
| Other Resistors | RD1/4PU□□□□ |

## OTHERS

|       |                   |              |
|-------|-------------------|--------------|
| 152   | CABLE HOLDER(7P)  | 51063 - 0705 |
| 153   | CABLE HOLDER(12P) | 51063 - 1205 |
| CN156 | PIN JACK(3P)      | AKB7085      |
| CN154 | PLUG 8 - P        | KM250MA8     |
| CN151 | CONNECTOR(5P)     | KPC5         |
| CN155 | JUMPER CONNECTOR  | KPC6         |
| CN152 | CONNECTOR(12P)    | KPE12        |
| CN153 | CONNECTOR(7P)     | KPE7         |
| JA151 | HEADPHONE JACK    | RKB1014      |
| 154   | PCB BINDER        | VEF1040      |
| 151   | GROUND PLATE      | VNF - 091    |

Mark No. Description Parts No.

## **I** CONNECTION ASSY

### SEMICONDUCTORS

|            |          |
|------------|----------|
| Q651, Q652 | DTC124ES |
|------------|----------|

### RESISTORS

|               |             |
|---------------|-------------|
| All Resistors | RS1/10S□□□□ |
|---------------|-------------|

## OTHERS

|       |                |              |
|-------|----------------|--------------|
| CN651 | 29P CONNECTOR  | 52044 - 2945 |
| CN652 | 19P PLUG       | KM200TA19    |
| CN653 | 9P PLUG        | KM200TA9     |
| CN656 | CONNECTOR(10P) | KPE10        |
| CN654 | CONNECTOR(14P) | KPE14        |
| CN657 | CONNECTOR(3P)  | KPE3         |
| CN655 | CONNECTOR(9P)  | KPE9         |

## **G** MASTER VR ASSY

### SEMICONDUCTORS

|                             |             |
|-----------------------------|-------------|
| IC1652 - IC1654             | UPC4570C    |
| IC1656                      | NJM4558DX   |
| Q1657, Q1658                | 2SA1115     |
| Q1659, Q1660                | 2SC2603     |
| Q1651 - Q1656               | 2SC2878     |
| Q1663, Q1664                | 2SK246      |
| Q1661                       | DTA124ES    |
| Q1662, Q1665                | DTC124ES    |
| D1659, D1660, D1663 - D1666 | ISS355      |
| D1652, D1654, D1661         | HSS104 - 02 |

|       |          |
|-------|----------|
| D1656 | MTZJ5.1A |
|-------|----------|

### CAPACITORS

|                              |              |
|------------------------------|--------------|
| C1678                        | CCSQCH331J50 |
| C1677, C1679                 | CCSQCH470J50 |
| C1675, C1676                 | CCSQCH681J50 |
| C1696                        | CEANP100M16  |
| C1694                        | CEAS100M25   |
| C1663 - C1668, C1681 - C1685 | CEAS100M50   |
| C1697                        | CEAS220M50   |
| C1699, C1700                 | CEAS470M25   |
| C1686                        | CEAS470M50   |
| C1688                        | CEAS470M50   |
| C1712                        | CGCYX104M25  |
| C1690, C1692                 | CKSQYB103K50 |
| C1669 - C1674                | CKSQYB104K25 |
| C1680                        | CKSQYB222K50 |
| C1695                        | CKSQYF104Z50 |
| C1715, C1716                 | CQMA471J50   |
| C1661                        | CQMA472J50   |

### RESISTORS

|                 |             |
|-----------------|-------------|
| R1734           | RD1/4PU331J |
| VR1651          | ACX7031     |
| VR1652          | PCP1031     |
| Other Resistors | RS1/10S□□□□ |

# VSX-D906S, VSX-07TX, VSX-09TX

Mark No. Description Parts No.

## OTHERS

|               |                |            |
|---------------|----------------|------------|
| CN1655        | 13P SOCKET     | KP200TA13L |
| CN1654        | 7P SOCKET      | KP200TA7L  |
| CN1652,CN1653 | CONNECTOR(15P) | KPE15      |
| CN1650        | CONNECTOR(3P)  | KPE3       |
| CN1651        | CONNECTOR(5P)  | KPE5       |

|               |               |      |
|---------------|---------------|------|
| CN1656,CN1657 | CONNECTOR(9P) | KPE9 |
|---------------|---------------|------|

## **J** REGULATOR (1) ASSY

### SEMICONDUCTORS

|         |              |             |
|---------|--------------|-------------|
| △ IC235 | (500mA/125V) | AEK7005     |
| IC231   |              | NJM78M12FA  |
| IC234   |              | NJM79M15FA  |
| IC233   |              | PQ20RV1E    |
| D231    |              | HSS104 - 02 |

### CAPACITORS

|            |  |             |
|------------|--|-------------|
| C232       |  | CEAS101M25  |
| C236, C238 |  | CEAS470M25  |
| C235       |  | CEASR33M50  |
| C231, C239 |  | CKCYB103K50 |

### RESISTORS

|               |             |
|---------------|-------------|
| All Resistors | RD1/4PU□□□J |
|---------------|-------------|

## OTHERS

|     |                   |              |
|-----|-------------------|--------------|
| 231 | CABLE HOLDER(10P) | 51052 - 1000 |
|-----|-------------------|--------------|

## **K** REGULATOR (2) ASSY

### SEMICONDUCTORS

|            |  |            |
|------------|--|------------|
| IC251      |  | NJM78M12FA |
| IC252      |  | NJM78M56FA |
| Q251, Q252 |  | 2SA1837    |

### CAPACITORS

|            |  |             |
|------------|--|-------------|
| C252       |  | CEAS101M25  |
| C254       |  | CEAS470M25  |
| C251, C253 |  | CKCYB103K50 |

### RESISTORS

|      |  |            |
|------|--|------------|
| R251 |  | RS2LMF100J |
| R255 |  | RS2LMF270J |
| R254 |  | RS2LMF390J |
| R252 |  | RS2LMF6R8J |

## OTHERS

|     |                  |              |
|-----|------------------|--------------|
| 251 | CABLE HOLDER(6P) | 51063 - 0605 |
| 8   | PCB BINDER       | VEF1040      |

## **F** E VR ASSY

### SEMICONDUCTORS

|               |  |           |
|---------------|--|-----------|
| IC611         |  | UPC4570C  |
| IC615         |  | NJM78L06A |
| IC616         |  | NJM79L06A |
| IC607         |  | TC9163AN  |
| IC608 - IC610 |  | TC9299P   |

|              |  |           |
|--------------|--|-----------|
| IC602, IC612 |  | UPC4570C  |
| IC613, IC614 |  | UPC4570G2 |
| Q601, Q602   |  | 2SC2458   |
| Q603, Q604   |  | 2SC2878   |
| Q605         |  | DTA124ES  |

Mark No. Description Parts No.

|             |  |             |
|-------------|--|-------------|
| D601        |  | 1SS355      |
| D603 - D606 |  | HSS104 - 02 |
| D602        |  | MTZJ5.1B    |

### CAPACITORS

|                         |  |            |
|-------------------------|--|------------|
| C667, C668              |  | CEAS101M25 |
| C1601                   |  | CEAS1R0M50 |
| C1602, C1603            |  | CEAS2R2M50 |
| C697, C698              |  | CEAS470M25 |
| C653 - C656, C659, C660 |  | CEAS4R7M50 |

|                        |  |              |
|------------------------|--|--------------|
| C683 - C694            |  | CEAS4R7M50   |
| C661, C664, C671, C678 |  | CKSQYB102K50 |
| C617, C618, C657, C658 |  | CKSQYB103K50 |
| C665, C666, C672, C673 |  | CKSQYB103K50 |
| C679, C680, C695, C696 |  | CKSQYB103K50 |

|                        |  |              |
|------------------------|--|--------------|
| C1605, C1606           |  | CKSQYB152K50 |
| C651, C652, C662, C663 |  | CKSQYF473Z50 |
| C669, C670, C676, C677 |  | CKSQYF473Z50 |
| C1607, C1608           |  | CQMA104J50   |
| C1609, C1610           |  | CQMA332J50   |

### RESISTORS

|            |  |            |
|------------|--|------------|
| R695, R696 |  | RS1LMF101J |
|------------|--|------------|

|                 |             |
|-----------------|-------------|
| Other Resistors | RS1/10S□□□J |
|-----------------|-------------|

## OTHERS

|       |                     |              |
|-------|---------------------|--------------|
| 610   | CABLE HOLDER(14P)   | 51063 - 1405 |
| CN609 | 11PJUMPER CONNECTOR | 52147 - 1110 |
| CN608 | 15PJUMPER CONNECTOR | 52147 - 1510 |
| CN603 | 10P PLUG            | KM200TA10    |
| CN604 | 12P PLUG            | KM200TA12    |

|              |          |           |
|--------------|----------|-----------|
| CN606, CN612 | 13P PLUG | KM200TA13 |
| CN602        | 17P PLUG | KM200TA17 |
| CN601        | 18P PLUG | KM200TA18 |
| CN605        | 5P PLUG  | KM200TA5  |
| CN607        | 7P PLUG  | KM200TA7  |

|       |                        |          |
|-------|------------------------|----------|
| CN611 | PLUG 5 - P             | KM250MA5 |
| CN613 | JUMPER CONNECTOR 3 - P | KPC3     |

## **L** REGULATOR (3) ASSY

### SEMICONDUCTORS

|              |  |             |
|--------------|--|-------------|
| IC253, IC254 |  | PQ20RV1E    |
| D251, D252   |  | HSS104 - 02 |

### CAPACITORS

|            |  |            |
|------------|--|------------|
| C256, C258 |  | CEAS470M25 |
| C255, C257 |  | CEASR33M50 |

### RESISTORS

|               |             |
|---------------|-------------|
| All Resistors | RD1/4PU□□□J |
|---------------|-------------|

## OTHERS

|     |                  |              |
|-----|------------------|--------------|
| 252 | CABLE HOLDER(5P) | 51063 - 0505 |
|-----|------------------|--------------|

## **M** V-AMP ASSY

### SEMICONDUCTORS

|                        |  |           |
|------------------------|--|-----------|
| IC701                  |  | UPC4570G2 |
| Q703 - Q706            |  | 2SA970    |
| Q701, Q702, Q707, Q708 |  | 2SC2240   |
| D701 - D708            |  | 1SS355    |

# VSX-D906S, VSX-07TX, VSX-09TX

Mark No. Description Parts No.

## CAPACITORS

|                        |              |
|------------------------|--------------|
| C701, C702             | CCSQCH221J50 |
| C703, C704             | CCSQCH470J50 |
| C705, C706             | CEAS4R7M50   |
| C707, C708, C710, C711 | CKSQYB103K50 |

## RESISTORS

|               |             |
|---------------|-------------|
| All Resistors | RS1/10S□□□J |
|---------------|-------------|

## OTHERS

|                  |            |
|------------------|------------|
| CN701 13P SOCKET | KP200TA13L |
|------------------|------------|

## CURR DRIVE ASSY

### SEMICONDUCTORS

|                          |         |
|--------------------------|---------|
| IC1051, IC1052 (5A/125V) | AEK7019 |
| Q1051 - Q1055            | 2SA970  |
| Q1056, Q1057             | 2SC2458 |
| D1051 - D1070            | 1SS355  |

### COILS AND FILTERS

|                       |         |
|-----------------------|---------|
| L1051 - L1055 (1.5μH) | ATH1053 |
|-----------------------|---------|

### CAPACITORS

|               |             |
|---------------|-------------|
| C1066         | CEANP101M10 |
| C1091, C1092  | CEAS470M63  |
| C1051 - C1055 | CEASR22M50  |
| C1056 - C1065 | CFTXA224J50 |

### RESISTORS

|                              |         |
|------------------------------|---------|
| R1066 - R1075 (0.1Ω/2W)      | ACN7027 |
| R1096 - R1100RS1LMF4R7J      |         |
| VR1051 - VR1055 (2.2kΩ/0.1W) | RCP1019 |

|                 |             |
|-----------------|-------------|
| Other Resistors | RS1/10S□□□J |
|-----------------|-------------|

## OTHERS

|                            |            |
|----------------------------|------------|
| 1051 CABLE HOLDER (15P)    | 51063-1505 |
| CN1051 14P PLUG            | KM200TA14  |
| KN1001 EARTH METAL FITTING | VNF1084    |

## VOLTAGE AMP ASSY

### SEMICONDUCTORS

|                          |         |
|--------------------------|---------|
| Q916 - Q920              | 2SA1048 |
| Q1062, Q943, Q944        | 2SA965  |
| Q901 - Q910, Q921 - Q925 | 2SA970  |
| Q936 - Q940              | 2SA970  |
| Q1061, Q941, Q942        | 2SC2235 |

|                          |          |
|--------------------------|----------|
| Q926 - Q935, Q947        | 2SC2240  |
| Q911 - Q915, Q945        | 2SC2458  |
| Q946                     | DTA124ES |
| D911 - D925, D927 - D930 | 1SS355   |
| D951 - D960              | 1SS355   |

|                        |         |
|------------------------|---------|
| D935                   | UDZ16B  |
| D931, D932, D938, D939 | UDZ22B  |
| D933, D934, D936, D937 | UDZ24B  |
| D941 - D945            | UDZ6.8B |
| D946 - D950            | UDZ8.2B |

Mark No. Description Parts No.

## CAPACITORS

|               |              |
|---------------|--------------|
| C1071 - C1080 | CCCSL181K2H  |
| C951 - C960   | CCCSL560K2H  |
| C966 - C970   | CCCSL5R0C2H  |
| C981 - C985   | CCSQCH101J50 |
| C1089, C1090  | CEAS101M50   |

|                              |            |
|------------------------------|------------|
| C971                         | CEAS470M2A |
| C931 - C935, C941 - C945     | CEJA100M50 |
| C961 - C965                  | CEJA101M16 |
| C1086, C1087                 | CEJA1R0M50 |
| C1081 - C1085, C1101 - C1105 | CEJA470M16 |

|             |              |
|-------------|--------------|
| C946 - C950 | CKSQYB182K50 |
| C936 - C940 | CKSQYB221K50 |
| C976 - C980 | CKSQYB222K50 |
| C1088       | CKSQYF223Z50 |

## RESISTORS

|               |              |
|---------------|--------------|
| R1201, R1202  | RD1/4LMF472J |
| R1126 - R1130 | RD1/4MUF473J |
| R1153, R1154  | RD1/4MUF4R7J |

|                 |             |
|-----------------|-------------|
| Other Resistors | RS1/10S□□□J |
|-----------------|-------------|

## OTHERS

|                        |              |
|------------------------|--------------|
| 901 CABLE HOLDER (6P)  | 51052 - 0600 |
| 902 CABLE HOLDER (5P)  | 51063 - 0505 |
| 903 CABLE HOLDER (15P) | 51063 - 1505 |
| CN904 14P SOCKET       | KM250MA3     |
| CN903 PLUG 3 - P       | KP200TA14L   |

|                       |         |
|-----------------------|---------|
| CN901 CONNECTOR (15P) | KPE15   |
| PCB BINDER            | VEF1040 |

## DOLBY DIGITAL ASSY

### SEMICONDUCTORS

|                        |                  |
|------------------------|------------------|
| IC9401, IC9431, IC9461 | AK4319 - VM      |
| IC9251                 | AK5340 - VS      |
| IC9121                 | CD0004AF         |
| IC9361                 | KM62V256CLG - 7L |
| IC9091                 | LH52256AN - 70LL |

|                                       |           |
|---------------------------------------|-----------|
| IC9301                                | MB86342A  |
| IC9201, IC9221                        | NJM2100M  |
| IC9041, IC9411, IC9441, IC9471, IC960 | NJM4558MD |
| IC9621, IC9641                        | NJM4558MD |
| IC9501                                | PA4025A   |

|                                   |              |
|-----------------------------------|--------------|
| IC9071                            | PM4007A      |
| IC9371                            | TC74HCT244AF |
| IC9103                            | TC74HCU04AF  |
| IC9381                            | TC74LVX244FS |
| Q9007, Q9241, Q9401, Q9431, Q9461 | 2PB709A      |

|                                   |          |
|-----------------------------------|----------|
| Q9003, Q9031, Q9032, Q9242, Q9402 | 2PD601A  |
| Q9432, Q9462                      | 2PD601A  |
| Q9201, Q9221, Q9601, Q9611, Q9621 | 2SC3326  |
| Q9631, Q9641, Q9651               | 2SC3326  |
| Q9001, Q9002, Q9004 - Q9006       | 2SC3802K |

# VSX-D906S, VSX-07TX, VSX-09TX

| Mark                     | No.                                | Description | Parts No.    |
|--------------------------|------------------------------------|-------------|--------------|
|                          | Q9304                              |             | DTA124EK     |
|                          | Q9251, Q9301 – Q9303               |             | DTC124EK     |
|                          | D9401, D9431                       |             | ISS181       |
|                          | D9002                              |             | ISS355       |
|                          | D9001                              |             | KV1851       |
| <b>COILS AND FILTERS</b> |                                    |             |              |
|                          | F9001 (2.88MHz)                    |             | ATF7001      |
|                          | F9301, F9302, F9371                |             | ATF7013      |
|                          | L9003 (68µH)                       |             | ATH7001      |
|                          | L9301, L9801 – L9811               |             | ATL7001      |
|                          | L9302                              |             | LCTBR47K2125 |
|                          | L9200, L9201, L9221, L9252 – L9254 |             | OTL1040      |
|                          | L9402, L9432, L9462, L9601, L9611  |             | OTL1040      |
|                          | L9621, L9631, L9641, L9651         |             | OTL1040      |
|                          | L9004, L9005, L9071, L9091, L9103  |             | VTL1019      |
|                          | L9108, L9121, L9251, L9361, L9371  |             | VTL1019      |
|                          | L9380, L9401, L9431, L9461, L9661  |             | VTL1019      |
| <b>CAPACITORS</b>        |                                    |             |              |
|                          | C9105, C9122, C9126, C9159, C9160  |             | CCSQCH101J50 |
|                          | C9255, C9263, C9302, C9309, C9312  |             | CCSQCH101J50 |
|                          | C9315, C9318, C9321, C9361, C9381  |             | CCSQCH101J50 |
|                          | C9401, C9406, C9431, C9436, C9461  |             | CCSQCH101J50 |
|                          | C9466                              |             | CCSQCH101J50 |
|                          | C9511, C9521, C9541, C9551, C9571  |             | CCSQCH102J50 |
|                          | C9606, C9616, C9626, C9636, C9646  |             | CCSQCH102J50 |
|                          | C9656                              |             | CCSQCH102J50 |
|                          | C9125, C9203, C9223, C9305, C9306  |             | CCSQCH220J50 |
|                          | C9412 – C9414, C9422 – C9424       |             | CCSQCH221J50 |
|                          | C9442 – C9444, C9452 – C9454       |             | CCSQCH221J50 |
|                          | C9472 – C9474, C9482               |             | CCSQCH221J50 |
|                          | C9057                              |             | CCSQCH270J50 |
|                          | C9151, C9152, C9512, C9522, C9542  |             | CCSQCH271J50 |
|                          | C9552, C9572, C9702, C9704, C9709  |             | CCSQCH271J50 |
|                          | C9603, C9613, C9623, C9633, C9643  |             | CCSQCH391J50 |
|                          | C9705                              |             | CCSQCH470J50 |
|                          | C9326                              |             | CCSQCH471J50 |
|                          | C9307, C9308, C9375                |             | CCSQCH560J50 |
|                          | C9007                              |             | CCSQCH750J50 |
|                          | C9053                              |             | CEANP470M25  |
|                          | C9257, C9301                       |             | CEAS471M6R3  |
|                          | C9107, C9128, C9201, C9221, C9403  |             | CEV100M16    |
|                          | C9405, C9408, C9433, C9435, C9438  |             | CEV100M16    |
|                          | C9463, C9465, C9468, C9502, C9504  |             | CEV100M16    |
|                          | C9602, C9605, C9612, C9615, C9622  |             | CEV100M16    |
|                          | C9625, C9632, C9635, C9642, C9645  |             | CEV100M16    |
|                          | C9652, C9655                       |             | CEV100M16    |
|                          | C9016                              |             | CEV100M35    |
|                          | C9071, C9091, C9262                |             | CEV101M6R3   |
|                          | C9415, C9425, C9445, C9455, C9475  |             | CEV220M16    |
|                          | C9485                              |             | CEV220M16    |
|                          | C9241                              |             | CEV221M4     |
|                          | C9801, C9802                       |             | CEV330M25    |
|                          | C9111, C9242, C9363, C9373, C9383  |             | CEV470M6R3   |

| Mark | No.                                 | Description | Parts No.    |
|------|-------------------------------------|-------------|--------------|
|      | C9031, C9371, C9712                 |             | CKSQYB102K50 |
|      | C9014, C9054, C9056, C9092, C9101   |             | CKSQYB103K50 |
|      | C9103, C9701, C9703, C9706 – C9708  |             | CKSQYB103K50 |
|      | C9153, C9154, C9581                 |             | CKSQYB104K25 |
|      | C9205, C9225                        |             | CKSQYB152K50 |
|      | C9483, C9484                        |             | CKSQYB223K50 |
|      | C9582                               |             | CKSQYB273K50 |
|      | C9653                               |             | CKSQYB393K50 |
|      | C9121                               |             | CKSQYB104K25 |
|      | C9001 – C9006, C9008 – C9013, C9015 |             | CKSQYF104Z25 |
|      | C9017, C9018, C9043, C9051, C9052   |             | CKSQYF104Z25 |
|      | C9055, C9058, C9073 – C9081, C9106  |             | CKSQYF104Z25 |
|      | C9110, C9123, C9127, C9202, C9204   |             | CKSQYF104Z25 |
|      | C9222, C9224, C9251, C9253, C9256   |             | CKSQYF104Z25 |
|      | C9259, C9303, C9310, C9313, C9316   |             | CKSQYF104Z25 |
|      | C9319, C9322, C9324, C9362, C9372   |             | CKSQYF104Z25 |
|      | C9382, C9402, C9404, C9407, C9409   |             | CKSQYF104Z25 |
|      | C9411, C9421, C9432, C9434, C9437   |             | CKSQYF104Z25 |
|      | C9439, C9441, C9451, C9462, C9464   |             | CKSQYF104Z25 |
|      | C9467, C9469, C9471, C9481, C9501   |             | CKSQYF104Z25 |
|      | C9503, C9601, C9611, C9621, C9631   |             | CKSQYF104Z25 |
|      | C9641, C9651                        |             | CKSQYF104Z25 |
|      | C9041, C9042                        |             | CKSQYF105Z16 |

## RESISTORS

All Resistors RSI10S□□□□

## OTHERS

|        |                              |              |
|--------|------------------------------|--------------|
| CN9801 | 11PJUMPER CONNECTOR          | 52147 – 1110 |
| CN9661 | 15PJUMPER CONNECTOR          | 52147 – 1510 |
| JA9000 | PIN JACK(3P)                 | AKB7092      |
| X9301  | DOLBY DIGITAL PCB            | ANP7176      |
| X9001  | CRYSTAL FOR VCXO (18.432MHz) | ASS7009      |
| CN9301 | CONNECTOR(10P)               | KPE10        |
| JA9104 | OPTICAL RECEIV MOD.          | TORX176      |

## FM/AM TUNER MODULE

## SEMICONDUCTORS

|              |          |
|--------------|----------|
| IC6201       | LA1836M  |
| IC6202       | LM7001J  |
| Q6102        | 2SC2223  |
| Q6203        | 2SC2235  |
| Q6202        | 2SC2712  |
| Q6103, Q6214 | 2SC2714  |
| Q6201        | 2SK208   |
| Q6104        | 2SK302   |
| Q6101        | 3SK194   |
| Q6204        | XDA124EK |
| Q6217        | XDC124EK |
| D6101, D6102 | IT33     |

# VSX-D906S, VSX-07TX, VSX-09TX

| Mark No.                          | Description | Parts No.    |
|-----------------------------------|-------------|--------------|
| <b>COILS AND FILTERS</b>          |             |              |
| L6104                             |             | ATC1003      |
| L6101                             |             | ATC1020      |
| L6102                             |             | ATC1021      |
| L6207                             | (10.7MHz)   | ATE1013      |
| F6203, F6204                      |             | ATF - 119    |
| F6101                             |             | ATF - 155    |
| F6202                             | (450kHz)    | ATF1156      |
| L6103                             | (2.2μH)     | ATH1043      |
| L6202, L6203, L6208               |             | LCTA2R2J3225 |
| <b>TRANSFORMERS</b>               |             |              |
| T6101                             |             | ATE - 063    |
| <b>CAPACITORS</b>                 |             |              |
| C6202, C6234, C6236               | (1μF/16V)   | ACG1051      |
| C6229                             |             | CCSCH821J50  |
| C6107                             |             | CCSCK1R0C50  |
| C6108, C6203, C6268               |             | CCSQCH101J50 |
| C6111, C6116, C6208, C6221, C6222 |             | CCSQCH150J50 |
| C6115                             |             | CCSQCH330J50 |
| C6101                             |             | CCSQCH5R0C50 |
| C6110                             |             | CCSQCK2R0C50 |
| C6114                             |             | CCSQRH080D50 |
| C6113                             |             | CCSQRH180J50 |
| C6105                             |             | CCSQTH150J50 |
| C6224, C6246, C6262               |             | CEAS100M50   |
| C6227                             |             | CEAS101M10   |
| C6261                             |             | CEAS1R0M50   |
| C6216, C6217                      |             | CEAS330M16   |
| C6231, C6233                      |             | CEAS3R3M50   |
| C6219                             |             | CEAS470M10   |
| C6243 - C6245                     |             | CEAS470M16   |
| C6238                             |             | CEJA100M16   |
| C6249, C6250                      |             | CEJA4R7M35   |
| C6215                             |             | CFTXA103J50  |
| C6214                             |             | CFTXA224J50  |
| C6103, C6106, C6112, C6204        |             | CKSQYB102K50 |
| C6102, C6109, C6117, C6210, C6264 |             | CKSQYB103K50 |
| C6213                             |             | CKSQYB223K50 |
| C6230                             |             | CKSQYB393K50 |
| C6228, C6252                      |             | CKSQYB472K50 |
| C6209, C6237, C6265, C6267        |             | CKSQYB473K50 |
| C6212, C6218                      |             | CKSQYF103Z50 |
| C6220, C6226, C6239, C6242, C6255 |             | CKSQYF223Z50 |
| C6235                             |             | CKSQYF224Z25 |
| C6225, C6241, C6266               |             | CKSQYF473Z50 |
| C6232                             |             | CKSYB393K50  |
| C6251                             |             | CKSYB472K50  |
| C6223                             |             | CKSYF103Z50  |
| C6263                             |             | CKSYF473Z50  |

| Mark No.                           | Description                   | Parts No.   |
|------------------------------------|-------------------------------|-------------|
| <b>RESISTORS</b>                   |                               |             |
| R6299, R6300                       |                               | RD1/4PU102J |
| R6113, R6116, R6118, R6268 - R6271 |                               | RS1/8S0R0J  |
| R6275, R6276, R6278, R6283, R6284  |                               | RS1/8S0R0J  |
| R6290, R6293, R6294, R6297         |                               | RS1/8S0R0J  |
| R6243, R6244                       |                               | RS1/8S101J  |
| R6211                              |                               | RS1/8S103J  |
| R6237                              |                               | RS1/8S182J  |
| R6209                              |                               | RS1/8S221J  |
| R6239                              |                               | RS1/8S332J  |
| R6101                              |                               | RS1/8S470J  |
| VR6201                             | (10kΩ/0.1W)                   | ACP1056     |
| VR6202                             |                               | VRTB6VS223  |
| Other Resistors                    |                               | RS1/10S□□□  |
| <b>OTHERS</b>                      |                               |             |
| BN6201                             | TERMINAL 4 - P                | AKE7028     |
| X6203                              | CRYSTAL RESONATOR (7.2000MHz) | ASS1042     |
| X6201                              | CRYSTAL RESONATOR (456kHz)    | ASS1066     |
| X6202                              | CERAMIC RESONATOR (450kHz)    | ATF1027     |
| CN6201                             | 14P SOCKET                    | KP2001A14L  |
| 8001                               | AM RF TUNING BLOCK            | AXX1025     |

## 6. ADJUSTMENT

### 6.1 TUNER ADJUSTMENT

#### ■ ADJUSTMENT OF FM TUNER SECTION

- Set the FM/AM selector to FM BAND.
- Connect the wiring as shown in Fig. 6-1.

| Step No. | Adjustment Title                 | FM SG (1kHz, ±75kHz dev.) |                     | Reception Frequency Display | Adjustment Location | Specifications  |
|----------|----------------------------------|---------------------------|---------------------|-----------------------------|---------------------|---|
|          |                                  | Frequency (MHz)           | Level (dBμV)        |                             |                     |   |
| 1        | Center Adjustment                | 98<br>Non modulation      | 80 or more          | —                           | L6207               | Adjust so that the DC voltage between IC6201-Pin 4 and Pin 28 (or + leads of C6224 and C6261) becomes 0V±50mV.      |
| 2        | Front End Sensitivity adjustment | 98                        | Low input (0 to 30) | 98MHz                       | L6102<br>T6101      | Adjust so that the DC voltage between IC6201-Pin 12 and GND (or + leads of C6238 and GND) becomes at maximum level. |
| 3        | Stereo Distortion                | 98                        | 80                  | 98MHz                       | T6101               | Minimize the distortion with 1/8 rotation of the core.  |
| 4        | TUNED IND. Lighting Level        | 98                        | 15 (±2dB)           | 98MHz                       | VR6201              | Adjust so that the indicator of TUNED IND. starts to light up.  |

*Notes:*

- Before adjusting, make sure there is no gap between L6101 and L6102. If there is a gap between them, bring them into contact with each other first, and then make adjustments.
- Make indicator adjustments in order of AM → FM.

#### ■ ADJUSTMENT OF AM TUNER SECTION

- Set the FM/AM selector to AM BAND.
- Connect the wiring as shown in Fig. 6-1.

| Step No. | Adjustment Title          | AM SG (400Hz, 30% Mod.) |                | Reception Frequency Display | Adjustment Location | Specifications   |
|----------|---------------------------|-------------------------|----------------|-----------------------------|---------------------|--|
|          |                           | Frequency (kHz)         | Level (dBμV/m) |                             |                     |  |
| 1        | TUNED IND. Lighting Level | 999*1                   | 47(±2dB)       | 999kHz*1                    | VR6202              | Adjust so that the indicator of TUNED IND. starts to light up. |

\*1: For the area using 10kHz step, frequencies should be 1000kHz



# VSX-D906S, VSX-07TX, VSX-09TX

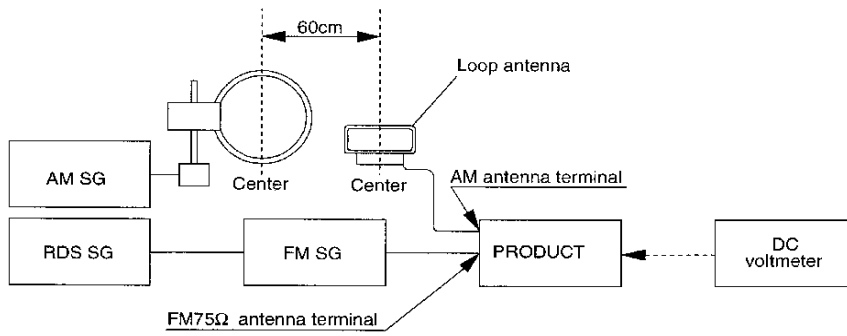


Fig. 6-1 AM and FM Adjustment Wiring Diagram

## FM/AM TUNER MODULE

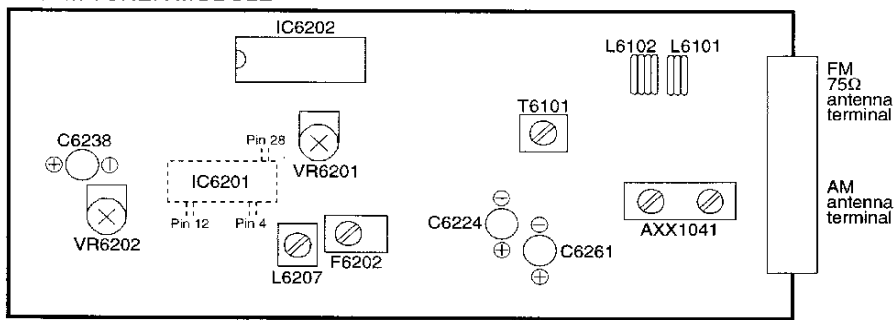


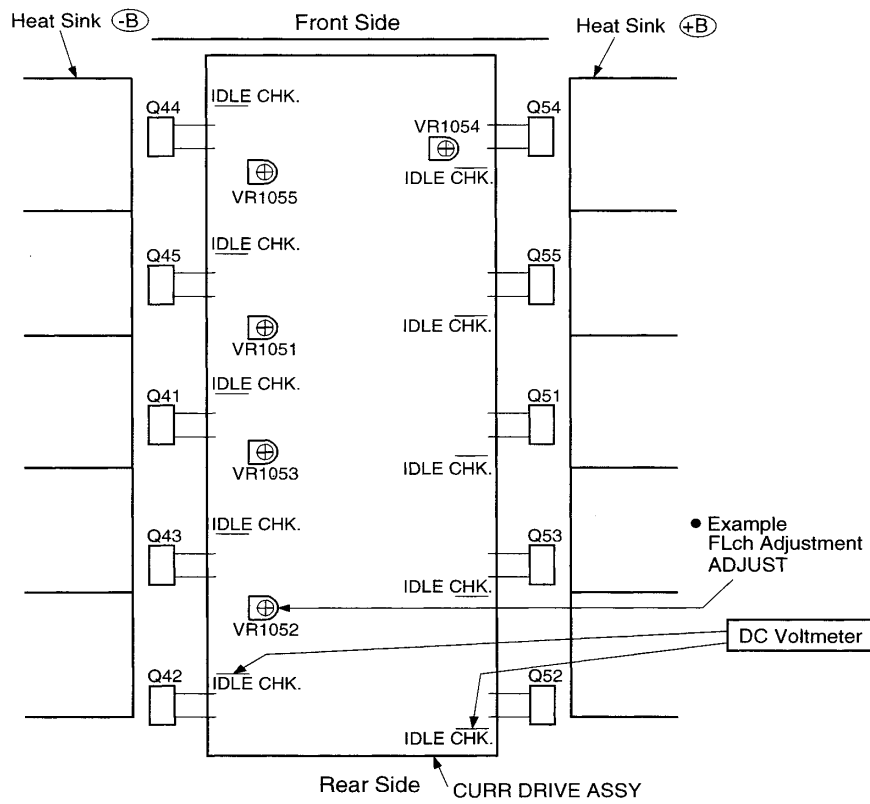
Fig. 6-2 Adjustment Points

**6.2 IDLE CURRENT ADJUSTMENT**

- CAUTION : Heatsinks' DC level is equal to +B or -B.  
Don't touch them or you will be electrically shocked.

1. Decrease the level of the Adjustment Variable resistor (VR) for the channel to be adjusted. (⊕ Turn counterclockwise.)
2. Set the power switch to ON.
3. While looking at voltage of the adjustment point shown below, gradually turn the Adjustment VR toward the right. Stop at 20mV.
4. Ages for ten minutes.
5. Readjust the voltage to  $10 \pm 1\text{mV}$  after ten minutes. Adjustment is completed.

| ADJUSTMENT ch | ADJUSTMENT VR | ADJUSTMENT POINT  |
|---------------|---------------|---|
| FLch          | VR1052        | Voltage between IDLE CHK of Q42 and Q52, the terminal with a silk mark. |
| FRch          | VR1053        | Voltage between IDLE CHK of Q43 and Q53, the terminal with a silk mark. |
| Cch           | VR1051        | Voltage between IDLE CHK of Q41 and Q51, the terminal with a silk mark. |
| SRch          | VR1055        | Voltage between IDLE CHK of Q45 and Q55, the terminal with a silk mark. |
| SLch          | VR1054        | Voltage between IDLE CHK of Q44 and Q54, the terminal with a silk mark. |



## 7. GENERAL INFORMATION

### 7.1 PARTS

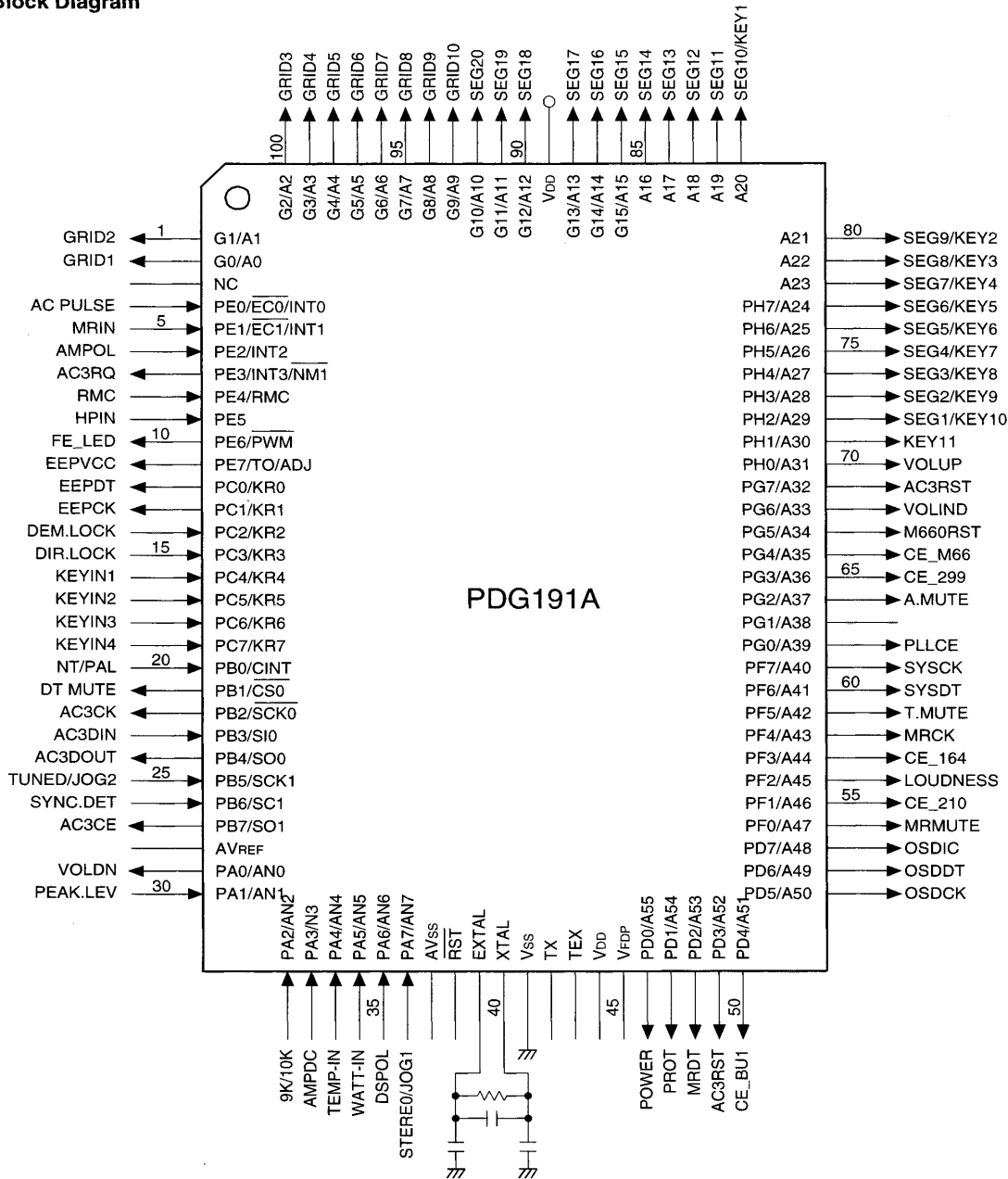
#### 7.1.1 IC

■ PDG191A (FL-UCOM ASSY : IC801)

● RECEIVER CONTROL  $\mu$ -COM

● Block Diagram

● The information shown in the list is basic information and may not correspond exactly to that shown in the schematic diagrams.



● Pin Function

| No. | Name          |              | I/O | Function  |
|-----|---------------|--------------|-----|---|
| 1   | G11           | G1/A1        | O   | FL grid output 2.   |
| 2   | G12           | G0/A0        | O   | FL grid output 1.   |
| 3   | NC            | NC           | -   | 5V.   |
| 4   | WAKEUP        | PE0/EC0/INT0 | I   | AC pulse input.   |
| 5   | MRIN          | PE1/EC1/INT1 | I   | Sub room remote control input.  |
| 6   | AMP OVERLOAD  | PE2/INT2     | I   | AMP overload detect A/D input.  |
| 7   | AC3REQ        | PE3/INT3/NMI | I   | Requests communications to the microprocessor in the main unit from AC3. (L: Request for communication) |
| 8   | RMS           | PE4/RMC      | I   | Remote control input.   |
| 9   | HPIN          | PE5          | I   | Headphone connect detect. H : connect   |
| 10  | LFE LED       | PE6/PWM      | O   | LED lights up during playback of AC3 or partial playback of LFE.  |
| 11  | EEPVCC        | PE7/TO/ADJ   | O   |   |
| 12  | EEPDT         | PC0/KR0      | O   | Data for communications with EEPROM.  |
| 13  | EEPCK         | PC1/KR1      | O   | Clock for communications with EEPROM.   |
| 14  | DEM.LOCK      | PC2/KR2      | I   | Inputs "L" when demodulator IC is locked to RF signal.  |
| 15  | DIR.LOCK      | PC3/KR3      | I   | Inputs "L" when DIR is locked to digital input signal.  |
| 16  | KEYIN1        | PC4/KR4      | I   | KEY scan input 1.   |
| 17  | KEYIN2        | PC5/KR5      | I   | KEY scan input 2.   |
| 18  | KEYIN3        | PC6/KR6      | I   | KEY scan input 3.   |
| 19  | KEYIN4        | PC7/KR7      | I   | KEY scan input 4.   |
| 20  | NT/PAL        | PB0/CINT     | I   | NTSC/PAL switching. (L : PAL)   |
| 21  | 91620N        | PB1/CS0      | O   | Sets to "H" when data are transferred to TC9162 (2).  |
| 22  | AC3CK         | PB2/SCK0     | O   | Clock for communications of AC3 microcomputer.  |
| 23  | AC3DIN        | PB3/SI0      | I   | Data in for communications of AC3 microcomputer.  |
| 24  | AC3DOUT       | PB4/SO0      | O   | Data out for communications of AC3 microcomputer.   |
| 25  | TUNED/JOG2    | PB5/SCK1     | I   | TUNER : TUNER input. (L : TUNED)/JOG2 : Port data input   |
| 26  | SYNC.DEC      | PB6/SC1      | I   | Detection of synchronizing signal (L: Signal detected)  |
| 27  | AC3CE         | PB7/SO1      | O   | Chip selection for communications with AC3 IC module.   |
| 28  | AVREF         | AVREF        | -   | 5V.   |
| 29  | VOLDOWN       | PA0/AN0      | O   | Master Volume (electrically operated) DOWN output.  |
| 30  | PEAK.LEV      | PA1/AN1      | I   |   |
| 31  | 9K/10K        | PA2/AN2      | I   | Switching frequency steps of the tuner. (AM L : 9K H : 10K, FM L : 50K H : 100K)                        |
| 32  | AMP DC DETECT | PA3/AN3      | I   | Detection of AMP power error. A/D input.  |
| 33  | TEMP-IN       | PA4/AN4      | I   | Fan temperature input. A/D input.   |
| 34  | WATT-IN       | PA5/AN5      | I   | Fan wattage input. A/D input.   |
| 35  | DSP OVERLOAD  | PA6/AN6      | I   | DSP overload detect. A/D input.   |
| 36  | JOG1/STEREO   | PA7/AN7      | I   | JOG1: Port data input/TUNER: Stereo input (L: Receiving broadcasting in stereo).                        |
| 37  | GND           | AVSS         | -   | GND.  |
| 38  | RST           | RST          | I   | Reset.  |
| 39  | EXTAL         | EXTAL        | -   | Oscillator 8MHz.  |
| 40  | XTAL          | XTAL         | -   | Oscillator 8MHz.  |
| 41  | GND           | VSS          | -   | GND.  |
| 42  | TX            | TX           | O   | Open.   |
| 43  | TEX           | TEX          | I   | GND.  |
| 44  | VDD           | VDD          | -   | 5V.   |
| 45  | VFDV          | VFDV         | -   | -30V.   |
| 46  | POWER         | PD0/A55      | O   | AC relay ON/OFF.  |
| 47  | PROT          | PD1/A54      | O   | Protection relay ON/OFF.  |
| 48  | MRDT          | PD2/A53      | O   | Data for IC. BU4094, TC9210, LM7001 (TUNER) control.  |
| 49  | AC3STP        | PD3/A52      | O   | Stops crystal oscillation of IC module for AC3 and internal PLL oscillation.                            |
| 50  | CE BUI        | PD4/A51      | O   | Strobe output for extended IC BU4094 (1).   |

# VSX-D906S, VSX-07TX, VSX-09TX

PDG191A

| No. | Name       |         | I/O | Function  |
|-----|------------|---------|-----|---|
| 51  | OSD CK     | PD5/A50 | O   | Clock for communications with OSD IC.                 |
| 52  | OSD DT     | PD6/A49 | O   | Data for communications with OSD IC.                  |
| 53  | OSD CE     | PD7/A48 | O   | Chip selection for communications with OSD IC.        |
| 54  | MRMUTE     | PF0/A47 | O   | Mute for sub room.                                    |
| 55  | CE 210     | PF1/A46 | O   | Strobe output for TC9210.                             |
| 56  | LOUDNESS   | PF2/A45 | O   | LOUDNESS ON/OFF, during operation : H                 |
| 57  | CE 164     | PF3/A44 | O   | Strobe output for TC9162 and TC9164.                  |
| 58  | MRCK       | PF4/A43 | O   | Clock for IC, BU4094, TC9210, LM7001 (TUNER) control. |
| 59  | T.MUTE     | PF5/A42 | O   | Tuner mute ON/OFF.                                    |
| 60  | SYSDT      | PF6/A41 | O   | Data for IC, TC system, M66311 control.               |
| 61  | SYSCK      | PF7/A40 | O   | Clock for IC, TC system, M66311 control.              |
| 62  | PLLCE      | PG0/A39 | O   | Chip selection for tuner IC.                          |
| 63  | CE 163     | PG1/A38 | O   | Strobe output for TC9163.                             |
| 64  | AMUTE      | PG2/A37 | O   | Audio mute ON/OFF.                                    |
| 65  | CE 299     | PG3/A36 | O   | Strobe output for TC9299.                             |
| 66  | CE M66     | PG4/A35 | O   | Strobe output for M66311.                             |
| 67  | M66ORST    | PG5/A34 | O   | IC output enable signal for M66311 (H: Enabled).      |
| 68  | VOLIND     | PG6/A33 | O   | Volume IND. control.                                  |
| 69  | AC3RST     | PG7/A32 | O   | IC module reset output for AC3.                       |
| 70  | VOLUP      | PH0/A31 | O   | Master Volume (electrically operated) UP output.      |
| 71  | KEY11      | PH1/A30 | O   | KEY scan output 11.                                   |
| 72  | SEG1/KEY10 | PH2/A29 | O   | Segment output 1/KEY scan output 10.                  |
| 73  | SEG2/KEY9  | PH3/A28 | O   | Segment output 2/KEY scan output 9.                   |
| 74  | SEG3/KEY8  | PH4/A27 | O   | Segment output 3/KEY scan output 8.                   |
| 75  | SEG4/KEY7  | PH5/A26 | O   | Segment output 4/KEY scan output 7.                   |
| 76  | SEG5/KEY6  | PH6/A25 | O   | Segment output 5/KEY scan output 6.                   |
| 77  | SEG6/KEY5  | PH7/A24 | O   | Segment output 6/KEY scan output 5.                   |
| 78  | SEG7/KEY4  | A23     | O   | Segment output 7/KEY scan output 4.                   |
| 79  | SEG8/KEY3  | A22     | O   | Segment output 8/KEY scan output 3.                   |
| 80  | SEG9/KEY2  | A21     | O   | Segment output 9/KEY scan output 2.                   |
| 81  | SEG10/KEY1 | A20     | O   | Segment output 10/KEY scan output 1.                  |
| 82  | SEG11      | A19     | O   | Segment output 11.                                    |
| 83  | SEG12      | A18     | O   | Segment output 12.                                    |
| 84  | SEG13      | A17     | O   | Segment output 13.                                    |
| 85  | SEG14      | A16     | O   | Segment output 14.                                    |
| 86  | SEG15      | G15/A15 | O   | Segment output 15.                                    |
| 87  | SEG16      | G14/A14 | O   | Segment output 16.                                    |
| 88  | SEG17      | G13/A13 | O   | Segment output 17.                                    |
| 89  | VDD        | VDD     | -   | 5V  |
| 90  | SEG18      | G12/A12 | O   | Segment output 18.                                    |
| 91  | SEG19      | G11/A11 | O   | Segment output 19.                                    |
| 92  | SEG20      | G10/A10 | O   | Segment output 20.                                    |
| 93  | G10        | G9/A9   | O   | Timing output 10.                                     |
| 94  | G9         | G8/A8   | O   | Timing output 9.                                      |
| 95  | G8         | G7/A7   | O   | Timing output 8.                                      |
| 96  | G7         | G6/A6   | O   | Timing output 7.                                      |
| 97  | G6         | G5/A5   | O   | Timing output 6.                                      |
| 98  | G5         | G4/A4   | O   | Timing output 5.                                      |
| 99  | G4         | G3/A3   | O   | Timing output 4.                                      |
| 100 | G3         | G2/A2   | O   | Timing output 3.                                      |

■ M66311FP (FL-UCOM ASSY : IC803)

● LED DRIVER

● Pin Function

| No. | Name          | Function   |
|-----|---------------|--|
| 1   | MR IND.       | LED lights up when Multiroom mode is ON. L : LED lights up.  |
| 2   | LEF IND.      | LED lights up if LFE component is detected during decoding of AC3 signal. "L": LED lights up.      |
| 3   | Vcc           | Power supply +5V.  |
| 4   | DATA          | Data line for communications with microcomputer.   |
| 5   | OE            | Output enable/disable signal. L : Fixed to "L" (output enabled).                                   |
| 6   | LATCH         | Strobe line for communications with microcomputer.   |
| 7   | RESET         | Reset input. Temporarily sets to "L" when the power switch is set to ON. After that, fixed to "H". |
| 8   | CLOCK         | Clock line for communications with microcomputer.  |
| 9   | GND           | GND.   |
| 10  |               | Fixed to "H".  |
| 11  | HP RY.        | Headphone relay. H : relay ON  |
| 12  | S/C RY.       | R/C relay. H : relay ON  |
| 13  | Speaker B RY. | Speaker B relay. H : relay ON  |
| 14  | Speaker A RY. | Speaker A relay. H : relay ON  |
| 15  | FAN           | FAN control. H : ON  |
| 16  | MPX           | Tuner (FM) MONO output. H : MONO output  |
| 17  | Stereo ON/OFF | Stereo ON/OFF H : Stereo ON  |
| 18  | ↑ ↓           | LED lights up when Up and Down arrow keys are enabled. L : LED lights up.                          |
| 19  | ← →           | LED lights up when Right and Left arrow keys are enabled. L : LED lights up.                       |
| 20  | SL/SR         | LED lights up if AC3 signal from the rear system L/R is received. L : LED lights up.               |
| 21  | S             | LED lights up if AC3 signal from the rear system (monaural) is received. L : LED lights up.        |
| 22  | C             | LED lights up if AC3 signal from the center system is received. L : LED lights up.                 |
| 23  | L/R           | LED lights up if AC3 signal from the front system L/R is received. L : LED lights up.              |
| 24  | ADDIR         | Switching MS Port. H : Analog input. L : Other than analog input                                   |

\* Output is port output of M66311 (Set data to "L" when port output is to be set to "H".)

■ M66311FP (FL-UCOM ASSY : IC804)

● LED DRIVER

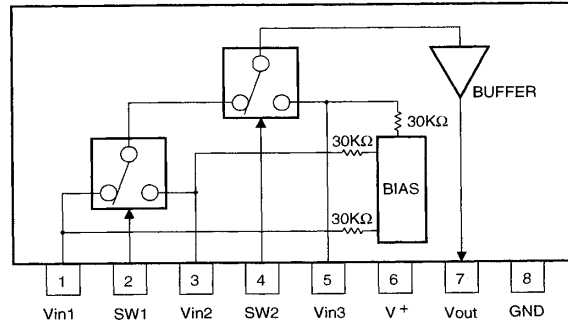
● Pin Function

| No. | Name       | Function   |
|-----|------------|--|
| 1   |            | Not used. Open   |
| 2   |            | Not used. Open   |
| 3   | Vcc        | Power supply +5V.  |
| 4   | DATA       | Data line for communications with microcomputer.   |
| 5   | OE         | Output enable/disable signal. L : Fixed to "L" (output enabled).                                   |
| 6   | LATCH      | Strobe line for communications with microcomputer.   |
| 7   | RESET      | Reset input. Temporarily sets to "L" when the power switch is set to ON. After that, fixed to "H". |
| 8   | CLOCK      | Clock line for communications with microcomputer.  |
| 9   | GND        | GND  |
| 10  |            | Fixed to "H".  |
| 11  |            | Not used. Open   |
| 12  |            | Not used. Open   |
| 13  |            | Not used. Open   |
| 14  |            | Not used. Open   |
| 15  |            | Not used. Open   |
| 16  | VCR1 IND.  | LED lights up when function is VCR1. L : LED lights up.  |
| 17  | VCR2 IND.  | LED lights up when function is VCR2. L : LED lights up.  |
| 18  | VIDEO IND. | LED lights up when function is VIDEO. L : LED lights up.   |
| 19  | DVD IND.   | LED lights up when function is DVD. L : LED lights up.   |
| 20  | LD IND.    | LED lights up when function is LD. L : LED lights up.  |
| 21  | CD IND.    | LED lights up when function is CD. L : LED lights up.  |
| 22  | TUNER IND. | LED lights up when function is TUNER. L : LED lights up.   |
| 23  | PHONO IND. | LED lights up when function is PHONO. L : LED lights up.   |
| 24  | TAPE1 IND. | LED lights up when function is TAPE1. L : LED lights up.   |

\* Output is from M66311.

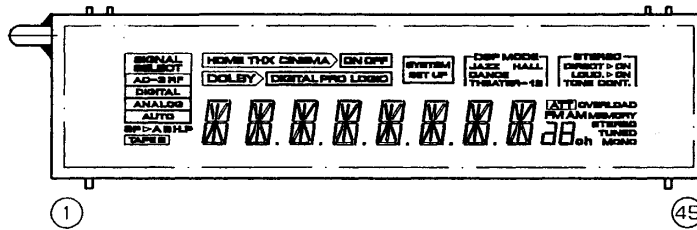
# VSX-D906S, VSX-07TX, VSX-09TX

- NJM2534L (VIDEO ASSY : IC402, S-VIDEO ASSY : IC501, IC502)
- 3 Input Single Video Switch
- Block Diagram



## 7.1.2 DISPLAY

- AAV7037 (FL-UCOM ASSY:V801)
- FL Tube

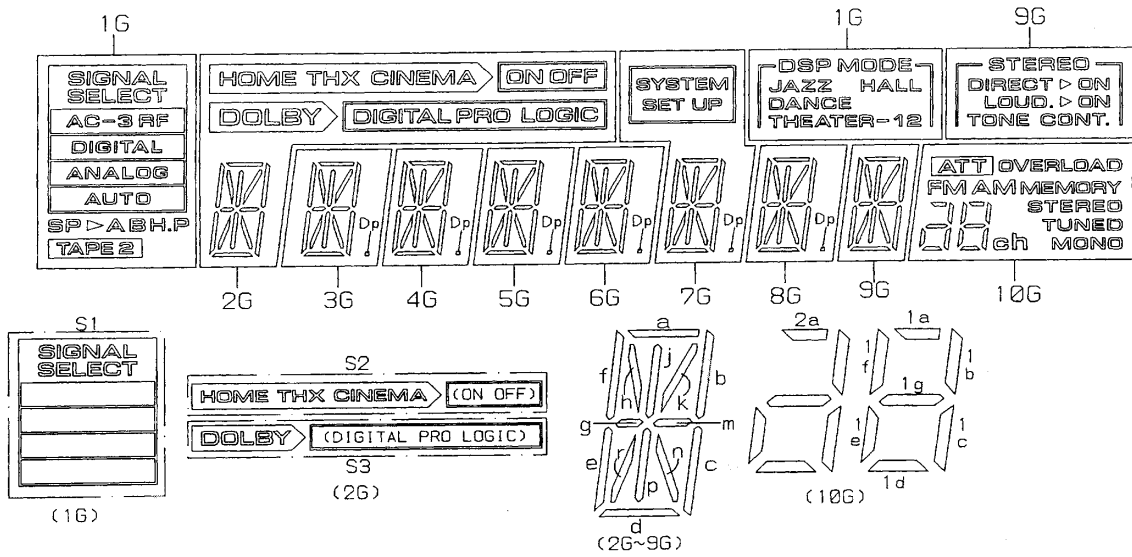


### ● Pin Assignment

| PIN NO.    | 1 | 2 | 3 | 4 | 5 | 6 | 7 | 8 | 9 | 10 | 11 | 12 | 13 | 14 | 15 | 16 | 17 | 18 | 19 | 20 | 21 | 22 | 23 | 24 | 25 | 26 | 27 | 28 | 29 | 30 | 31 | 32 | 33 | 34 | 35 | 36 | 37 | 38 | 39 | 40 | 41 | 42 | 43 | 44 | 45 |
|------------|---|---|---|---|---|---|---|---|---|----|----|----|----|----|----|----|----|----|----|----|----|----|----|----|----|----|----|----|----|----|----|----|----|----|----|----|----|----|----|----|----|----|----|----|----|
| CONNECTION | F | F | N | N | N | N | N | N | N | N  | 1  | 2  | 3  | 4  | 5  | 6  | 7  | 8  | 9  | 0  | 1  | P  | P  | P  | P  | P  | P  | P  | P  | P  | P  | P  | P  | P  | P  | P  | P  | P  | P  | P  | P  | N  | N  | F  | F  |
|            | 1 | 1 | P | X | X | X | X | X | X | X  | G  | G  | G  | G  | G  | G  | G  | G  | G  | G  | 0  | 9  | 8  | 7  | 6  | 5  | 4  | 3  | 2  | 1  | 0  | 9  | 8  | 7  | 6  | 5  | 4  | 3  | 2  | 1  | P  | P  | 2  | 2  |    |

NOTE 1) F1, F2 --- Filament  
 2) NP ----- No pin  
 3) NX ----- No extend pin  
 4) DL ----- Datum Line  
 5) 1G~10G --- Grid

● Grid Assignment



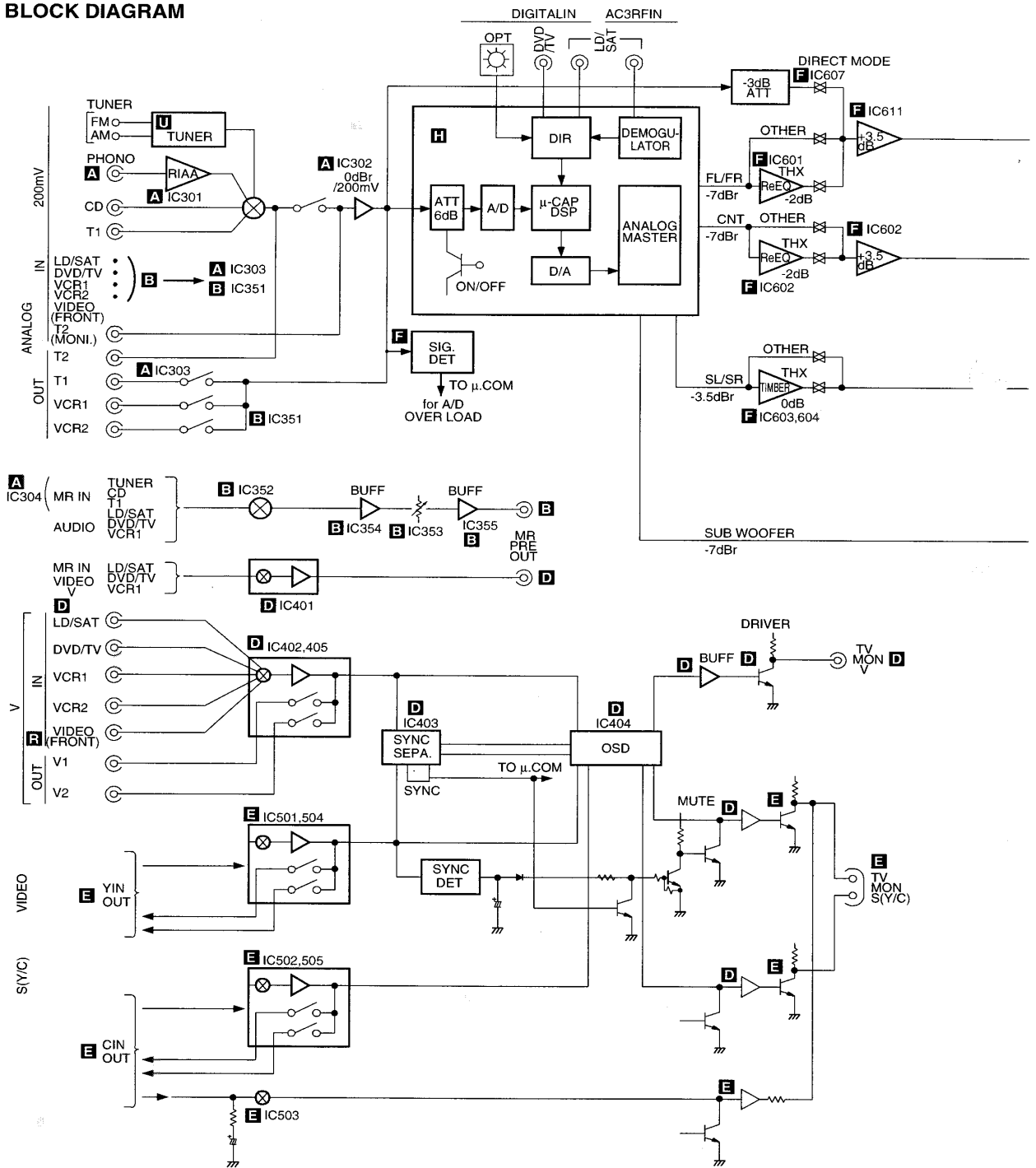
● Anode Connection

|     | 1G        | 2G        | 3G~6G | 7G            | 8G | 9G         | 10G        |
|-----|-----------|-----------|-------|---------------|----|------------|------------|
| P1  | TAPE 2    | a         | a     | a             | a  | a          | 1a         |
| P2  | SP ▷      | j         | j     | j             | j  | j          | 1b         |
| P3  | A         | k         | k     | k             | k  | k          | 1f         |
| P4  | B         | h         | h     | h             | h  | h          | 1g         |
| P5  | H.P       | b         | b     | b             | b  | b          | 1c         |
| P6  | AUTO      | f         | f     | f             | f  | f          | 1e         |
| P7  | ANALOG    | g         | g     | g             | g  | g          | 1d         |
| P8  | DIGITAL   | m         | m     | m             | m  | m          | 2a, 2d, 2g |
| P9  | AC-3 RF   | c         | c     | c             | c  | c          | 2b         |
| P10 | S1        | e         | e     | e             | e  | e          | 2c         |
| P11 | DSP MODE  | n         | n     | n             | n  | n          | 2e         |
| P12 | JAZZ      | r         | r     | r             | r  | r          | MONO       |
| P13 | HALL      | p         | p     | p             | p  | p          | TUNED      |
| P14 | DANCE     | d         | d     | d             | d  | d          | STEREO     |
| P15 | THEATER-1 | S2        | Dp    | Dp            | Dp | STEREO     | MEMORY     |
| P16 | 2         | ON        | -     | SYSTEM SET UP | -  | DIRECT ▷   | AM         |
| P17 | -         | OFF       | -     | -             | -  | ON (↑)     | FM         |
| P18 | -         | S3        | -     | -             | -  | LOUD. ▷    | ch         |
| P19 | -         | PRO LOGIC | -     | -             | -  | ON (↓)     | ATT        |
| P20 | -         | DIGITAL   | -     | -             | -  | TONE CONT. | OVERLOAD   |

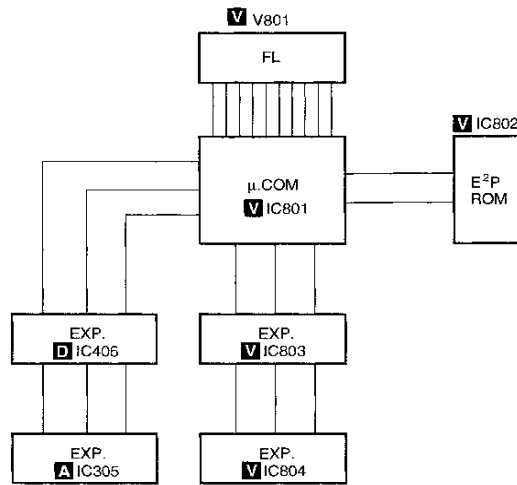
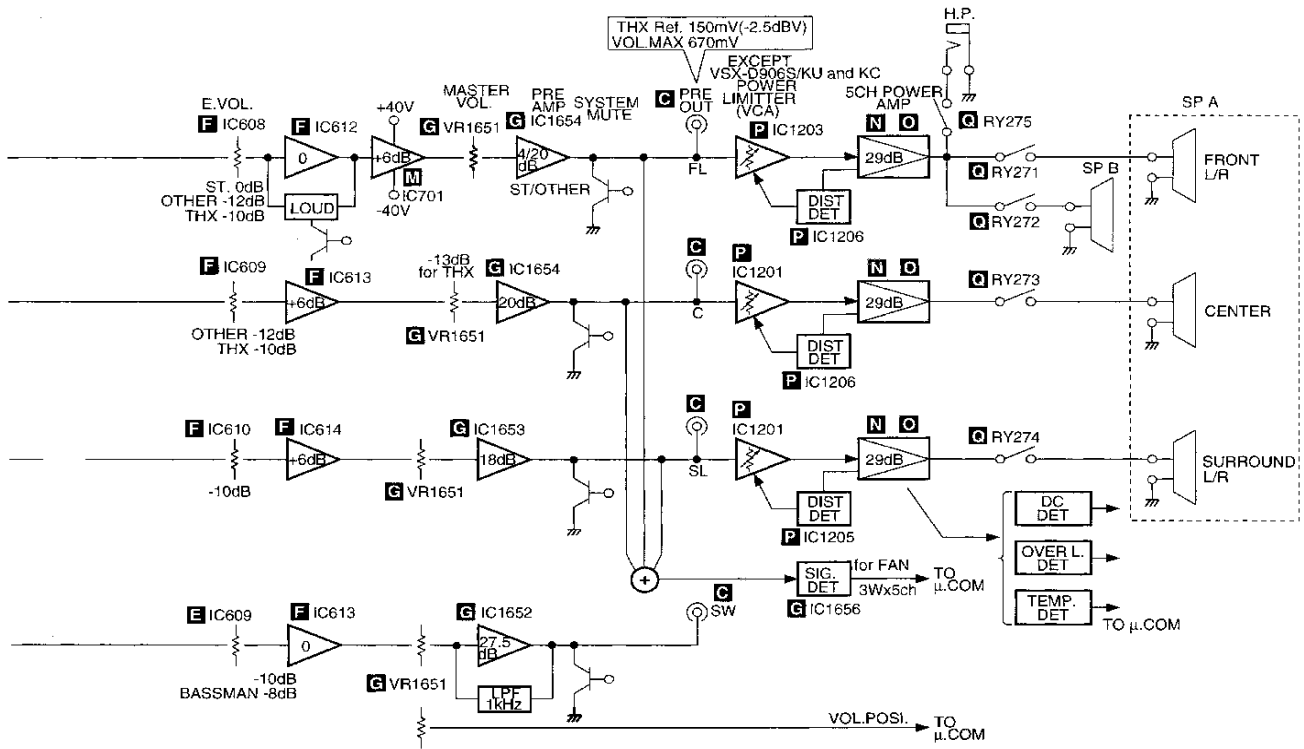


# VSX-D906S, VSX-07TX, VSX-09TX

## 7.2 BLOCK DIAGRAM



# VSX-D906S, VSX-07TX, VSX-09TX



# VSX-D906S, VSX-07TX, VSX-09TX

## 7.3 REMOTE CONTROL UNIT

[CU-VSX117 (AXD7127) : KU AND KC TYPES]

[CU-VSX122 (AXD7122) : SD AND KU/CA TYPES]

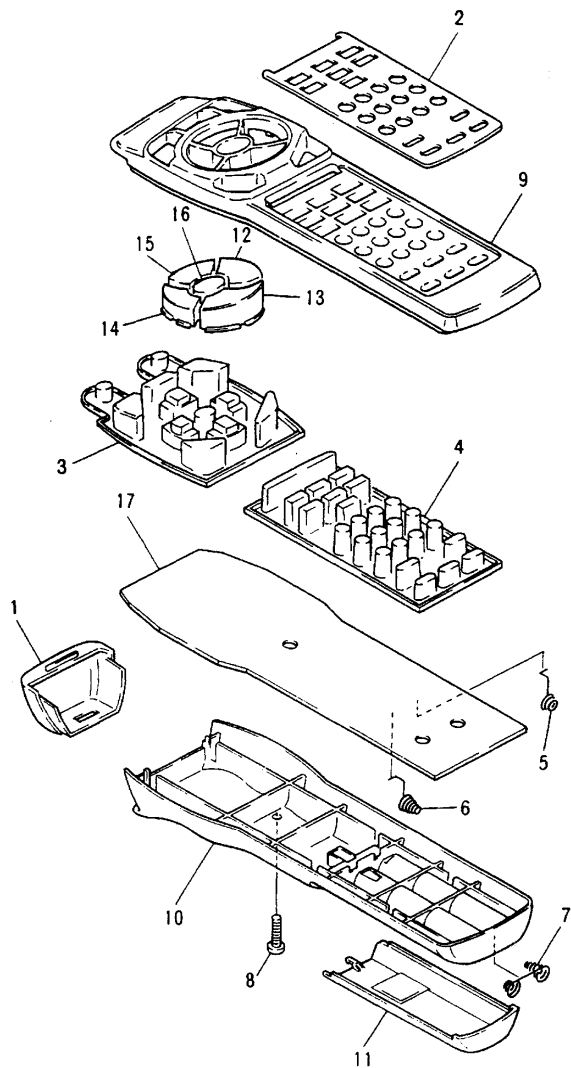
### 7.3.1 EXPLODED VIEWS AND PARTS LIST

NOTES: • Parts marked by "NSP" are generally unavailable because they are not in our Master Spare Parts List.

• The  $\triangle$  mark found on some component parts indicates the importance of the safety factor of the part.

Therefore, when replacing, be sure to use parts of identical designation.

• Screws adjacent to  $\blacktriangledown$  mark on product are used for disassembly.

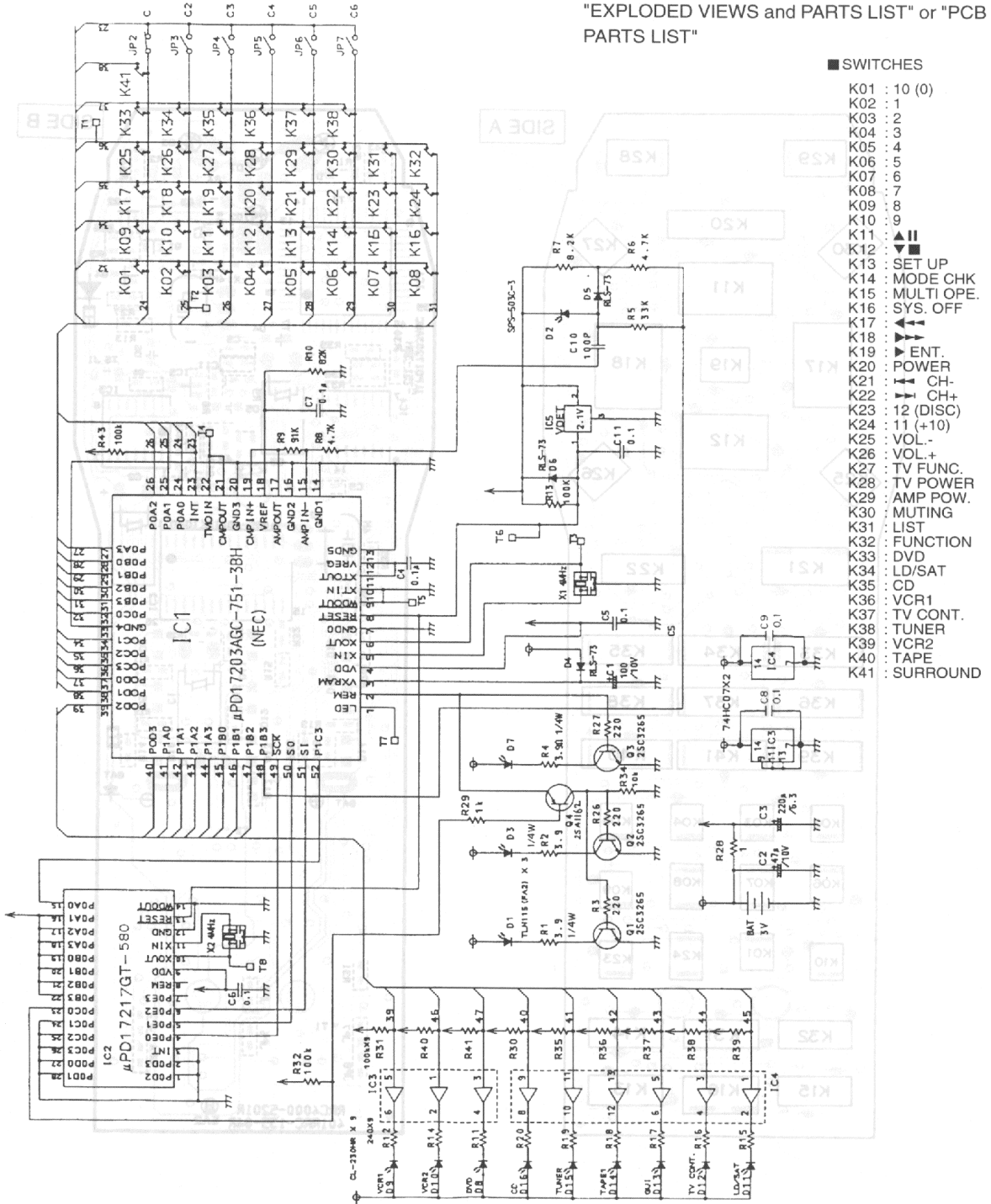


#### ■ Parts List

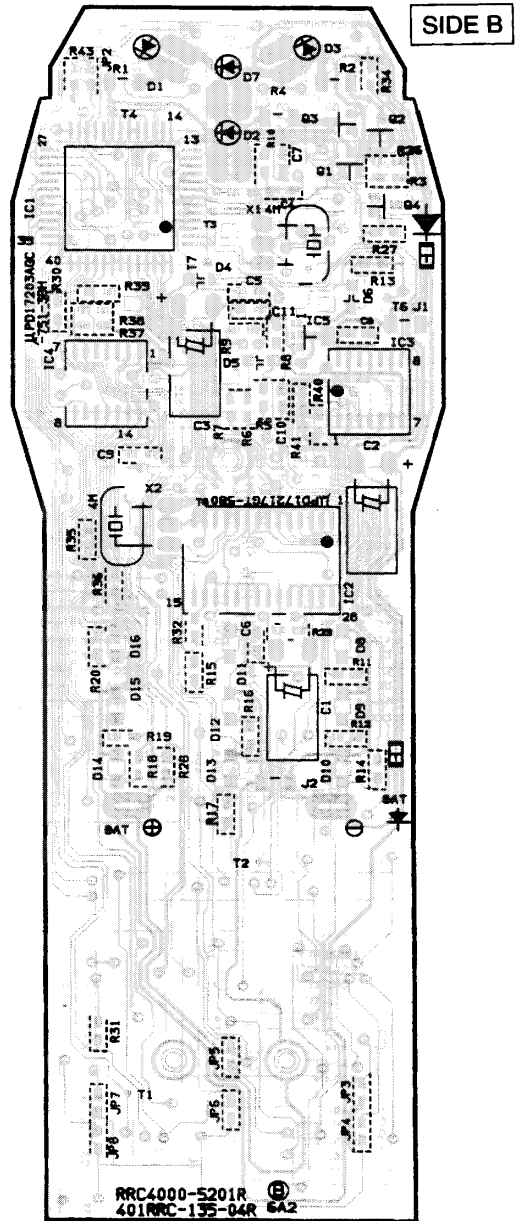
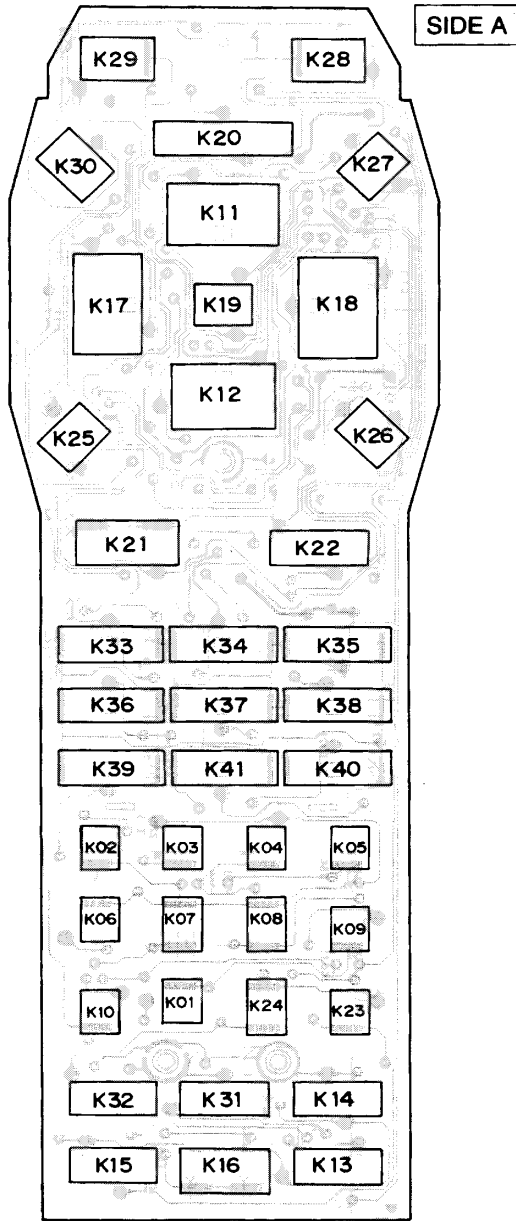
| Mark | No. | Description                     | Parts No. |
|------|-----|---------------------------------|-----------|
|      | 1   | Filter                          | AZA7152   |
|      | 2   | Name Plate (KU AND KC TYPES)    | AZA7251   |
|      | 2   | Name Plate (SD AND KU/CA TYPES) | AZA7249   |
|      | 3   | Rubber Sheet (A)                | AZA7236   |
|      | 4   | Rubber Sheet (B)                | AZA7248   |
|      | 5   | Spring (+)                      | AZB7049   |
|      | 6   | Spring (-)                      | AZB7050   |
|      | 7   | Spring                          | AZB7051   |
|      | 8   | Screw                           | AZB7052   |
|      | 9   | Remo-con Case (A)               | AZN7672   |
|      | 10  | Remo-con Case (B)               | AZN7326   |
|      | 11  | Battery Cover                   | AZN7327   |
|      | 12  | Main Key (FF)                   | AZN7666   |
|      | 13  | Main Key (STOP)                 | AZN7329   |
|      | 14  | Main Key (REV)                  | AZN7665   |
|      | 15  | Main Key (PAUSE)                | AZN7331   |
|      | 16  | Main Key (PLAY)                 | AZN7664   |
| NSP  | 17  | PCB                             | AZW7243   |

7.3.2 SCHEMATIC AND PCB DIAGRAM

Note : When ordering service parts, be sure to refer to "EXPLODED VIEWS and PARTS LIST" or "PCB PARTS LIST"



# VSX-D906S, VSX-07TX, VSX-09TX



**7.3.3 PCB PARTS LIST**

NOTES: • Parts marked by "NSP" are generally unavailable because they are not in our Master Spare Parts List.

• The  $\Delta$  mark found on some component parts indicates the importance of the safety factor of the part. Therefore, when replacing, be sure to use parts of identical designation.

• When ordering resistors, first convert resistance values into code form as shown in the following examples.

Ex.1 When there are 2 effective digits (any digit apart from 0), such as 560 ohm and 47k ohm (tolerance is shown by J = 5%, and K = 10%).

|              |   |                      |       |     |       |         |            |            |            |   |
|--------------|---|----------------------|-------|-----|-------|---------|------------|------------|------------|---|
| 560 $\Omega$ | → | 56 × 10 <sup>1</sup> | →     | 561 | ..... | RD1/4PU | $\Delta$ 5 | $\Delta$ 6 | $\Delta$ 7 | J |
| 47k $\Omega$ | → | 47 × 10 <sup>3</sup> | →     | 473 | ..... | RD1/4PU | $\Delta$ 4 | $\Delta$ 7 | $\Delta$ 3 | J |
| 0.5 $\Omega$ | → | R50                  | ..... |     |       | RN2H    | $\Delta$ R | $\Delta$ 5 | $\Delta$ 0 | K |
| 1 $\Omega$   | → | 1R0                  | ..... |     |       | RS1P    | $\Delta$ T | $\Delta$ R | $\Delta$ 0 | K |

Ex.2 When there are 3 effective digits (such as in high precision metal film resistors).

|                |   |                       |   |      |       |         |            |            |            |            |   |
|----------------|---|-----------------------|---|------|-------|---------|------------|------------|------------|------------|---|
| 5.62k $\Omega$ | → | 562 × 10 <sup>1</sup> | → | 5621 | ..... | RN1/4PC | $\Delta$ 5 | $\Delta$ 6 | $\Delta$ 2 | $\Delta$ 1 | F |
|----------------|---|-----------------------|---|------|-------|---------|------------|------------|------------|------------|---|

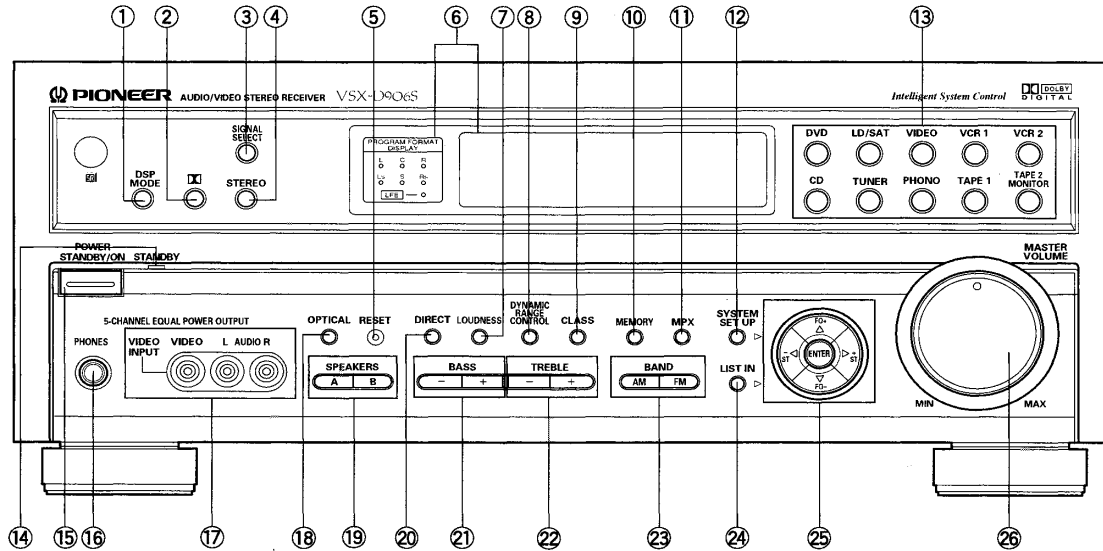
| Mark No.              | Description      | Parts No.       |
|-----------------------|------------------|-----------------|
| <b>SEMICONDUCTORS</b> |                  |                 |
| IC1                   |                  | AZC7275         |
| IC2                   |                  | AZC7274         |
| IC3, IC4              |                  | TC74HC07AF      |
| IC5                   |                  | RH5VA21AA       |
| Q4 – Q6               |                  | 2SA1037         |
| Q1 – Q3               |                  | 2SC3265         |
| D1, D3, D7            |                  | SE1003 – C      |
| D2                    |                  | SPS – 503C – 3  |
| D8 – D20 LED          |                  | CL – 230HR – CD |
| D4 – D6               |                  | RLS – 73        |
| <b>CAPACITORS</b>     |                  |                 |
| C2                    |                  | CEAS470M10      |
| C4 – C7, C11          |                  | CKSQYB104K25    |
| C3                    |                  | CEAS221M10      |
| C1                    |                  | CEAS101M6R3     |
| C8 – C10              |                  | CCSQCH100J50    |
| <b>RESISTORS</b>      |                  |                 |
| R2001, R2002          |                  | RS1/8S0R0J      |
| R1, R2, R4            |                  | RS1/8S3R9J      |
|                       | Other Resistors  | RS1/10S□□□J     |
| <b>OTHERS</b>         |                  |                 |
| X1, X2                | RESONATOR (4MHz) | KBR – 4.0M      |

## 8. PANEL FACILITIES AND SPECIFICATIONS

### NAMES OF PARTS

\* The size of characters shown in the figure may differ from that on the actual product.

#### Front panel



① **DSP MODE button\*NOTE**

② **[ ] button**

③ **SIGNAL SELECT button**

④ **STEREO button**

⑤ **RESET button**

⑥ **Displays**

⑦ **LOUDNESS button\*NOTE**

Press this button when the volume is low to raise the low and high frequency levels so that the sound can be heard more easily. This button operates in stereo mode only.

⑧ **DYNAMIC RANGE CONTROL button**

The volume is constantly controlled to maintain an even level and to make it possible to hear clearly even when the volume is set to a low level. (Works only when operating in DOLBY DIGITAL mode.)

⑨ **CLASS button**

⑩ **MEMORY button**

⑪ **MPX button**

Use to switch the auto stereo/monaural mode for receiving FM broadcasts. When the received broadcast signal is weak, press this button to set the monaural mode.

⑫ **SYSTEM SET UP button**

⑬ **Function buttons**

⑭ **STANDBY indicator**

⑮ **POWER STANDBY/ON button**

⑯ **PHONES jack (Headphone terminal)**

⑰ **Video input terminals**

Connect to a video camera, etc.

⑱ **OPTICAL button**

⑲ **SPEAKERS A, B buttons**

ON/OFF switches for the A and B speaker systems.

⑳ **DIRECT button\*NOTE**

Use to play back sound without going through the tone control circuits. This button operates in stereo mode only.

㉑ **BASS -, + buttons\*NOTE**

Use to adjust tone. This button operates in stereo mode only.

㉒ **TREBLE -, + buttons\*NOTE**

Use to adjust tone. This button operates in stereo mode only.

㉓ **AM, FM buttons**

㉔ **LIST IN button**

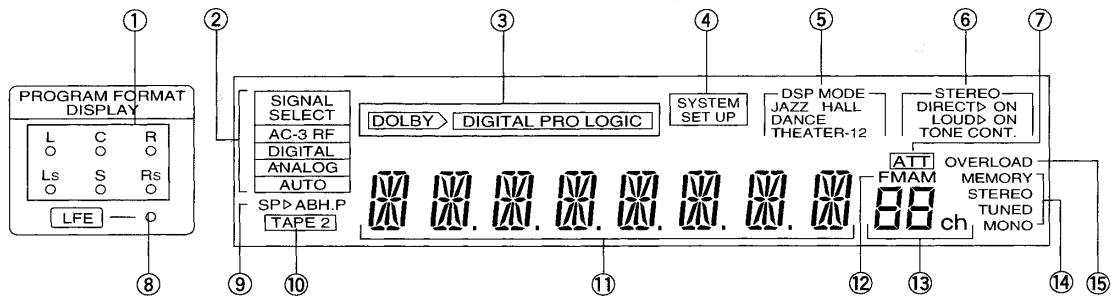
㉕ **Select/Adjust buttons**

㉖ **MASTER VOLUME**

#### \*NOTE

These operation buttons do not function during AC-3 input.

**Display**



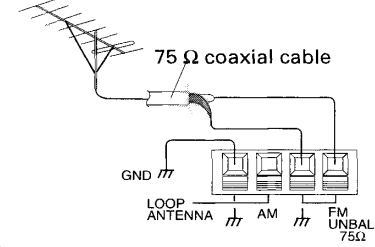
- ① **PROGRAM FORMAT DISPLAY**  
When playing back in the Dolby Digital (AC-3) mode, the indicator of the channel set for the playback source lights.
- ② **SIGNAL SELECT indicators**  
The input signal format currently selected will light.
- ③ **DOLBY DIGITAL and PRO LOGIC indicators**  
"DOLBY" lights when the Dolby Surround mode is ON. There are two Dolby Surround modes-Dolby Digital (AC-3) and Dolby Pro Logic. "DOLBY" and "DIGITAL" light during Dolby Digital, and "DOLBY" and "PRO LOGIC" light when played back in Dolby Pro Logic.
- ④ **SYSTEM SET UP indicator**  
Lights when SYSTEM SET UP mode is selected.
- ⑤ **DSP MODE indicators**  
Lights when DSP MODE is on and indicates the type selected.
- ⑥ **STEREO indicators**  
Lights when STEREO mode is selected.
- ⑦ **ATT indicator**  
Lights when ATT (input attenuator) is ON.
- ⑧ **LFE indicator**  
[LFE] lights when the LFE (Low Frequency Effects) channel is set for the playback source with Dolby Digital. The [LFE] indicator also lights when LFE signals are input.
- ⑨ **Speakers A, B, H.P indicators**  
The indicator will light up to show which speaker terminal (A or B) is selected. When using headphones, the "H.P" indicator will light up. When using the headphone, speakers A and B are turned off.
- ⑩ **TAPE 2 indicator**  
Lights when TAPE 2 MONITOR is ON.
- ⑪ **CHARACTER display**
- ⑫ **FM, AM indicators**  
The indicator of the band currently selected (FM/AM) lights.
- ⑬ **STATION display**  
Indicates the station number currently selected.
- ⑭ **TUNER indicators**  
**MEMORY:**  
Lights when station memory is selected.  
**STEREO:**  
Lights when stereo broadcasts are received during auto stereo mode.  
**TUNED:**  
Lights when broadcasts are being received.  
**MONO:**  
Lights when the monaural mode is set using the MPX MODE button.
- ⑮ **OVERLOAD Indicator**  
This indicator lights up whenever the analog input signal is of a strength sufficient to cause electrical overload.  
When the indicator blinks, press the ATT button on the remote control unit to reduce the strength of the input signal.



**CONNECTING DEVICES**

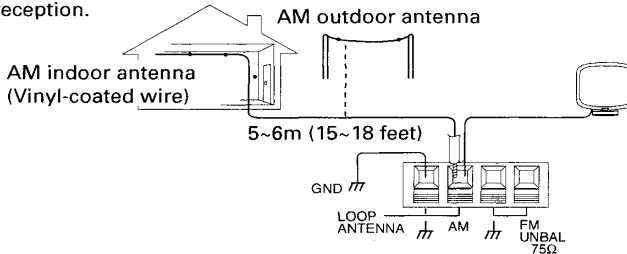
When connecting or changing equipment, be sure to turn OFF the POWER switch, and disconnect the power cord from the wall outlet.

■ For better reception of signals, use an FM external antenna.

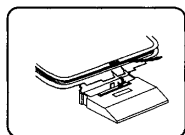


■ When AM broadcast reception is poor

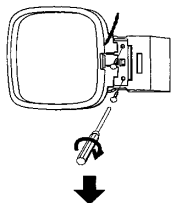
Connect a 5 to 6 meter (15~18 feet) long vinyl-coated wire to the AM antenna terminal. If possible draw horizontally outdoors to achieve better reception.



■ Assembling the AM loop antenna

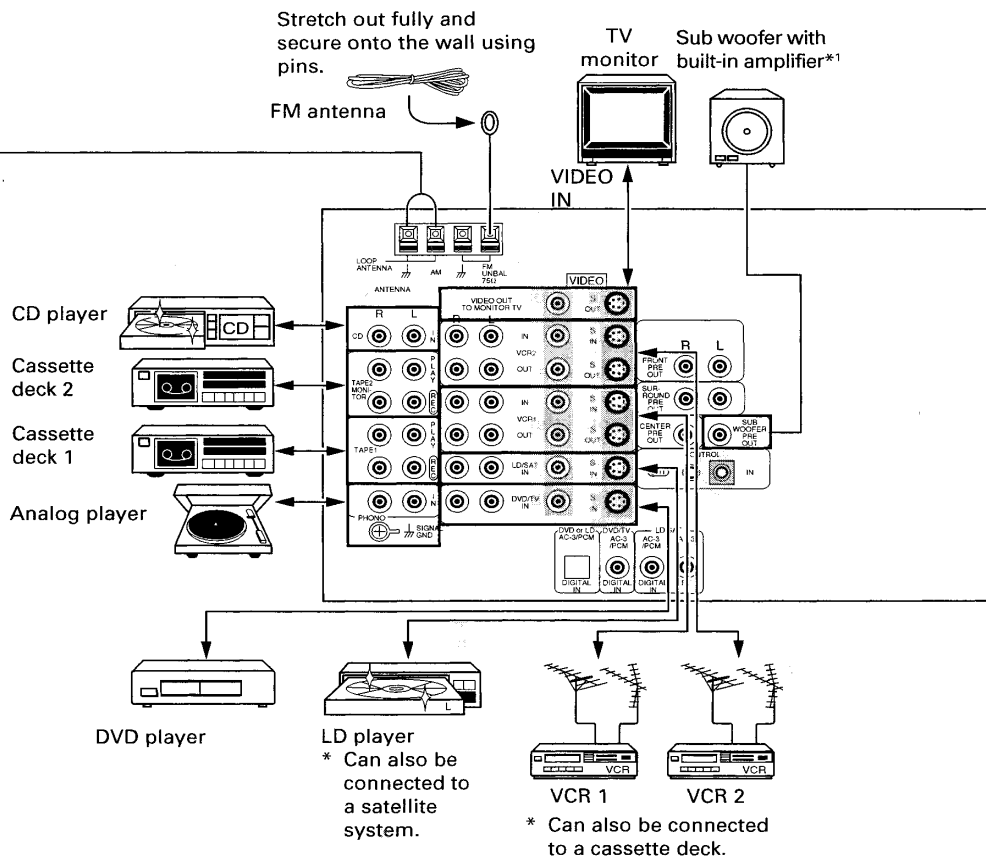


When attaching on a wall, etc.



Face towards the direction with the best reception.

\*1 The sub woofer can be connected in a different way. For details, refer to the instructions on the sub woofer.



|   |   |  |
|---|---|--|
| <p>■ <b>AM antenna terminal</b></p> <p>10mm (3/8 in.)</p> | <p>■ <b>Input/output plugs</b></p> <p>Connect the white plug to L, red plug to R, and yellow plug to VIDEO. Be sure to insert completely.</p> | <p>■ <b>Speaker terminals</b></p> <p>10 mm (3/8 in.)</p> <p>This unit's speaker terminals accept banana plug. Please refer to the plug's manual for instructions on use.</p> |
|---|---|--|

\* The size of characters and terminal positions in the figures may differ from those on the actual product.

**Speaker system (Front)**

**Speakers system (Surround)**

■ **Front Panel**

Video equipment such as a video camera, etc.

**AC OUTLETS**

AC 120V 60Hz

SWITCHED TOTAL 100W/8A MAX

UNSWITCHED TOTAL 100W/8A MAX

**TERMINALS**

R L FR FL C SR SL

FRONT SPEAKERS FRONT SPEAKERS CENTER SPEAKER SURROUND SPEAKERS

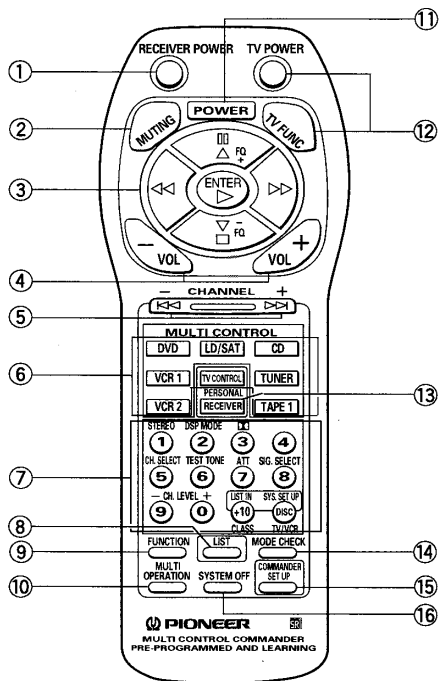
IMPEDANCE: 6Ω-16Ω/SPEAKER

ATTENTION: 6Ω OR HALF-PARALLEL SURROUND-SPEAKERS

**memo**

- Use nominal impedances ranging from 6 Ω to 16 Ω for the speaker system.
- Sound is output from speakers connected to FR, FL, C, SR, or SL terminals if the SPEAKERS A button on the front panel is set to ON. If you want sound from speakers connected to the R and L terminals, set the SPEAKERS B button to ON.

Remote control unit



- ① **RECEIVER POWER button**
- ② **MUTING button**  
Press to mute the volume.
- ③ **[When set to RECEIVER (OPERATIONS)]**  
△, ▽, ◀, ▶ ENTER (Select/Adjust) buttons  
**[When set to other than RECEIVER (OPERATIONS)]**  
⏸ (Pause), □ (Stop), ◀◀ (Rewind), ▶▶ (Fast Forward), ▶ (Play) buttons
- ④ **VOL (-, +) buttons**
- ⑤ **[TV, VCR Operations]**  
Selects the TV broadcast channel.  
**[CD, LD, DVD operations]**  
◀◀, ▶▶ (Chapter/Track Search) buttons
- ⑥ **MULTI CONTROL function buttons**  
Selects the function set on the receiver and changes the remote control operations to that function. Also, initiates the multi operation play function when used in conjunction with the ⑩ MULTI OPERATION button.
- ⑦ **Number/Receiver setting buttons**  
**[When setting RECEIVER (operations)]**  
STEREO: Switches the STEREO mode.  
DSP MODE: Switches the DSP surround effects. The DSP mode does not function during while a Dolby Digital (AC-3) program source is being played back.

- ⑧ **LIST button**  
Use to display the list screen when using the CD or tuner function.
- ⑨ **FUNCTION button**  
Switches the function.
- ⑩ **MULTI OPERATION button**  
Use to set the multi operation.
- ⑪ **POWER button**  
Turns ON/OFF the power of devices other than this unit.
- ⑫ **TV buttons**
- ⑬ **RECEIVER/PERSONAL button**  
**[When setting MULTI operations]**  
Press when setting to the personal mode using multi operations.  
**[When setting to other than multi operation]**  
Press this button when using the Number/Receiver buttons to specify receiver settings.
- ⑭ **MODE CHECK button**
- ⑮ **COMMANDER SET UP button**  
Use to control and learn operations of other manufacturers' equipment, and set multi operation functions.
- ⑯ **SYSTEM OFF button**  
Use to turn OFF the power of all equipment connected to the main unit.

⏸ : Switches the Dolby Surround mode.  
 CH. SELECT: Use to select the channel for which level settings are to be defined.  
 TEST TONE: When turned ON (while in system set up mode), volume balance adjustment signals are output in order from the speakers and can be adjusted.  
 ATT: Operates during ANALOG signal input. When turned ON when the sound is unstable due to excessive input levels, the input signal level drops so that the sound becomes less distorted.  
 SIG. SELECT: Use to select function LD or DVD input signals. (i.e. AC-3 RF, DIGITAL, etc.)  
 CH. LEVEL -, +: Use to adjust the level of the channel selected with the CH. SELECT button.  
 LIST IN: Use to switch to the list input screen when using the CD or tuner function.  
 SYSTEM SET UP: Used to enter system setup mode.

**[TUNER Operations]**  
 Number buttons: Use for setting the frequency value when the station call is selected or during direct access.  
 CLASS: Switches the CLASS number.  
 DISC: Use to enter Direct Access mode.

**[VCR operations]**  
 TV/VCR: Switches between TV/VCR.

**[CD Operations]**  
 DISC: Use to select the DISC number.

**SPECIFICATIONS**

**Amplifier Section**

**Continuous average power output of 100 watts\* per channel, min., at 6 ohms, from 20 Hz to 20,000 Hz with no more than 0.09 %\*\* total harmonic distortion (front).**

|  |                                   |
|--|-----------------------------------|
| <b>Continuous Power Output</b>   |                                   |
| Front .....  | 100 W + 100 W (1 kHz, 0.8 %, 6 Ω) |
| Center .....   | 100 W (1 kHz, 0.8 %, 6 Ω)         |
| Surround .....   | 100 W + 100 W (1 kHz, 0.8 %, 6 Ω) |
| <b>Input (Sensitivity/Impedance)</b>                                       |                                   |
| PHONO MM .....   | 3.8 mV/47 kΩ                      |
| LD/SAT, CD, VCR 1, VCR 2, TAPE 1, TAPE 2, DVD/TV, VIDEO .....              | 275 mV/47 kΩ                      |
| <b>Phono Overload Level (T.H.D. 0.1 %, 1kHz)</b>                           |                                   |
| PHONO MM .....   | 100 mV                            |
| <b>Frequency Response</b>  |                                   |
| PHONO MM .....   | 20 Hz to 20,000 Hz ± 0.3 dB       |
| LD/SAT, CD, VCR 1, VCR 2, TAPE 1, TAPE 2, DVD/TV, VIDEO .....              | 5 Hz to 100,000 Hz $\pm 0.3$ dB   |
| <b>Output (Level/Impedance)</b>  |                                   |
| VCR 1, VCR 2, TAPE 1 REC, TAPE 2 REC .....                                 | 275 mV/2.2 kΩ                     |
| <b>Tone Control</b>  |                                   |
| BASS .....   | ± 6 dB (100 Hz)                   |
| TREBLE .....   | ± 6 dB (10 kHz)                   |
| <b>Signal-to-Noise Ratio (IHF, short circuited, A network) (Direct On)</b> |                                   |
| PHONO MM .....   | 80 dB                             |
| LD/SAT, CD, VCR 1, VCR 2, TAPE 1, TAPE 2, DVD/TV, VIDEO .....              | 97 dB                             |
| <b>Signal-to-Noise Ratio [EIA, at 1 W (1kHz)] (Direct On)</b>              |                                   |
| PHONO MM .....   | 80 dB                             |
| LD/SAT, CD, VCR 1, VCR 2, TAPE 1, TAPE 2, DVD/TV, VIDEO .....              | 83 dB                             |

\* Measured pursuant to the Federal Trade Commission's Trade Regulation rule on Power Output Claims for Amplifiers.

\*\* Measured by Audio Spectrum Analyzer.

**VIDEO Section**

|  |                            |
|--|----------------------------|
| <b>Input (Sensitivity/Impedance)</b>                   |                            |
| LD/SAT, VCR 1, VCR 2, DVD/TV, VIDEO .....              | 1 Vp-p/75 Ω                |
| <b>Output (Level/Impedance)</b>                        |                            |
| VCR 1 REC, VCR 2 REC, MONITOR TV .....                 | 1 Vp-p/75 Ω                |
| <b>Frequency Response</b>                              |                            |
| LD/SAT, VCR 1, VCR 2, DVD/TV, VIDEO<br>→ MONITOR ..... | 5 Hz to 7 MHz $\pm 0.3$ dB |
| Signal-to-Noise Ratio .....                            | 55 dB                      |
| Cross Talk .....                                       | 55 dB                      |

Manufactured under license from Dolby Laboratories Licensing Corporation. "Dolby", "AC-3", "Pro Logic" and the double-D symbol are trademarks of Dolby Laboratories Licensing Corporation.

**FM Tuner Section**

|                                     |  |
|-------------------------------------|--|
| Frequency Range .....               | 87.5 MHz to 108 MHz                                  |
| Usable Sensitivity .....            | Mono: 11.2 dBf, IHF (1.0 μV/75 Ω)                    |
| 50 dB Quieting Sensitivity .....    | Mono: 16.8 dBf<br>Stereo: 38.6 dBf                   |
| Signal-to-Noise Ratio .....         | Mono: 73 dB (at 85 dBf)<br>Stereo: 70 dB (at 85 dBf) |
| Distortion .....                    | Stereo: 0.5 % (1kHz)                                 |
| Alternate Channel Selectivity ..... | 60 dB (400 kHz)                                      |
| Stereo Separation .....             | 40 dB (1 kHz)  |
| Frequency Response .....            | 30 Hz to 15 kHz (± 1) dB                             |
| Antenna Input .....                 | 75 Ω unbalanced                                      |

**AM Tuner Section**

|                                       |                                    |
|---------------------------------------|------------------------------------|
| Frequency Range .....                 | 530 kHz to 1,700 kHz (10 kHz step) |
| Sensitivity (IHF, Loop antenna) ..... | 350 μV/m                           |
| Selectivity .....                     | 25 dB                              |
| Signal-to-Noise Ratio .....           | 50 dB                              |
| Antenna .....                         | Loop antenna                       |

**Miscellaneous**

|                                |   |
|--------------------------------|---|
| Power Requirements .....       | AC 120 V, 60 Hz   |
| Power Consumption .....        | 400 W   |
| In Standby Condition .....     | 2.5 W   |
| <b>AC Outlet</b>               |   |
| SWITCHED (x2) .....            | 100 W (0.8 A) MAX   |
| UNSWITCHED (x1) .....          | 100 W (0.8 A) MAX   |
| Dimensions .....               | 420 (W) × 177 (H) × 449 (D) mm<br>16-9/16 (W) × 6-15/16 (H) × 17-11/16 (D) in |
| Weight (without package) ..... | 13.3 kg (29 lb 4 oz)  |

**Furnished Parts**

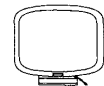
|  |   |
|--|---|
| FM Antenna .....                                   | 1 |
| AM Loop Antenna .....                              | 1 |
| Dry Cell Batteries (AA/LR6) .....                  | 2 |
| Remote Control Unit .....                          | 1 |
| Operating Instructions .....                       | 1 |
| Sub instruction manual (Remote Control Unit) ..... | 1 |
| Sub instruction manual [System Set up] .....       | 1 |

**NOTE:**

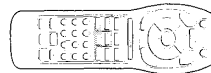
Specifications and the design are subject to possible modifications without notice, due to improvements.



FM antenna



AM loop antenna



Remote control unit



Alkaline dry cell batteries (size "AA" IEC LR6) x 2