

Pioneer

Service Manual

ORDER NO.
RRV4182

AUDIO/VIDEO MULTI-CHANNEL RECEIVER

VSX-1021-K

VSX-921-K

THIS MANUAL IS APPLICABLE TO THE FOLLOWING MODEL(S) AND TYPE(S).

Model	Type	Power Requirement	Remarks
VSX-1021-K	SYXCN5	AC 220 V to 230 V	
VSX-921-K	SYXCN5	AC 220 V to 230 V	

This service manual should be used together with the following manual(s).

Model No.	Order No.	Remarks
VSX-1021-K/UXCN5	RRV4176	

For SPECIFICATIONS and PANEL FACILITIES, refer to the operating instructions.

1. CONTRAST OF MISCELLANEOUS PARTS

NOTES: ● Parts marked by "NSP" are generally unavailable because they are not in our Master Spare Parts List.

● The \triangle mark found on some component parts indicates the importance of the safety factor of the part. Therefore, when replacing, be sure to use parts of identical designation.

● Screws adjacent to ∇ mark on product are used for disassembly.

● For the applying amount of lubricants or glue, follow the instructions in this manual. (In the case of no amount instructions, apply as you think it appropriate.)

● Nos. indicate the pages and Nos. in the service manual for the base model.

● When ordering resistors, first convert resistance values into code form as shown in the following examples.

Ex.1 When there are 2 effective digits (any digit apart from 0), such as 560 ohm and 47k ohm (tolerance is shown by J=5%, and K=10%).

560 Ω \rightarrow 56 x 10¹ \rightarrow 561 RD1/4PU $\overline{5}$ $\overline{6}$ $\overline{1}$ J
 47k Ω \rightarrow 47 x 10³ \rightarrow 473 RD1/4PU $\overline{4}$ $\overline{7}$ $\overline{3}$ J
 0.5 Ω \rightarrow R50 RN2H \overline{R} $\overline{5}$ $\overline{0}$ K
 1 Ω \rightarrow 1R0 RS1P $\overline{1}$ \overline{R} $\overline{0}$ K

Ex.2 When there are 3 effective digits (such as in high precision metal film resistors).

5.62k Ω \rightarrow 562 x 10¹ \rightarrow 5621 RN1/4PC $\overline{5}$ $\overline{6}$ $\overline{2}$ $\overline{1}$ F

CONTRAST TABLE

VSX-1021-K/UXCNCB, VSX-1021-K/SYXCN5 and VSX-921-K/SYXCN5 are constructed the same except for the following:

Mark	No.	Symbol and Description	VSX-1021-K /UXCNCB	VSX-1021-K /SYXCN5	VSX-921-K /SYXCN5	Remarks
PCB ASSEMBLIES						
NSP	P52-1	1..MAIN ASSY	7025HK1009010-IL	7025HK1009020-IL	7025HK1010010-IL	
	P52-2	2..MAIN ASSY	70280702710J0-IL	7028070271080-IL	7028070271010-IL	
	P52-2	2..SW ASSY	7028070272010-IL	7028070272090-IL	7028070272090-IL	
NSP	P52-7	1..D-MAIN ASSY	7025HK1009011-IL	7025HK1009021-IL	7025HK1010016-IL	
	P52-7	2..D-MAIN ASSY	7028070351010-IL	7028070351030-IL	7028070351020-IL	
NSP	P52-8	1...FRONT ASSY	7025HK1009012-IL	7025HK1009022-IL	7025HK1010011-IL	
	P52-11	2..FRONT ASSY	7028070301010-IL	7028070301030-IL	7028070301020-IL	
	P52-12	2..F-V ASSY	7028070304040-IL	7028070304030-IL	7028070304040-IL	No. 68
	P52-12	2..HP ASSY	7028070306010-IL	7028070306020-IL	7028070306010-IL	
NSP	P52-13	1..AUDIO ASSY	7025HK1009013-IL	7025HK1009023-IL	7025HK1010012-IL	
	P52-13	2..AUDIO ASSY	7028070311010-IL	7028070311030-IL	7028070311030-IL	
NSP	P52-14	1..IR ASSY	7025HK1009014-IL	7025HK1009024-IL	7025HK1010013-IL	
	P52-15	2..BR ASSY	7028070324010-IL	7028070324010-IL	7028070324020-IL	
	P52-15	2..SMPS ASSY	7028070322010-IL	7028070322020-IL	7028070322020-IL	
NSP		1..F-USB ASSY	7025HK1009015-IL	7025HK1009025-IL	7025HK1010014-IL	*1
NSP	P52-19	1..VIDEO ASSY	7025HK1009018-IL	7025HK1009028-IL	7025HK1010019-IL	
	P52-19	2..VIDEO ASSY	7028070261010-IL	70280702610B0-IL	70280702610C0-IL	
NSP	P52-21	1..AMP7 ASSY	7025HK1009077-IL	7025HK1009027-IL	7025HK1010066-IL	
	P52-21	2..AMP7 ASSY	7028070251010-IL	7028070251070-IL	7028070251080-IL	
NSP		1..F-HDMI ASSY	Not used	7025HK1009026-IL	Not used	
		2..F-HDMI ASSY	Not used	7028070341010-IL	Not used	No. 69
PACKING SECTION						
	P49-1	Remote Control Unit (AXD7615)	8300761500010-IL	Not used	Not used	
	P49-1	Remote Control Unit (AXD7616)	Not used	8300761600010-IL	8300761600010-IL	
	P49-6	Operating Instructions (En/Es)	5707000004890-IL	Not used	Not used	
	P49-6	Operating Instructions (En/Fr/Es/De/It/Nl/Ru)	Not used	5707000004920-IL	5707000004920-IL	
	P49-7	CD-ROM (AVNavigator)	6517000000120-IL	6517000000150-IL	6517000000370-IL	
	P49-8	Box, Gift	6007211820000-IL	6007211820010-IL	6007211820080-IL	
		AC Power Cord	Not used	L068250160020-IL	L068250160020-IL	
		Warranty Card EU	Not used	ARY7127	ARY7127	
EXTERIOR SECTION						
	P52-22	Cord Assy	L068125101710-IL	Not used	Not used	

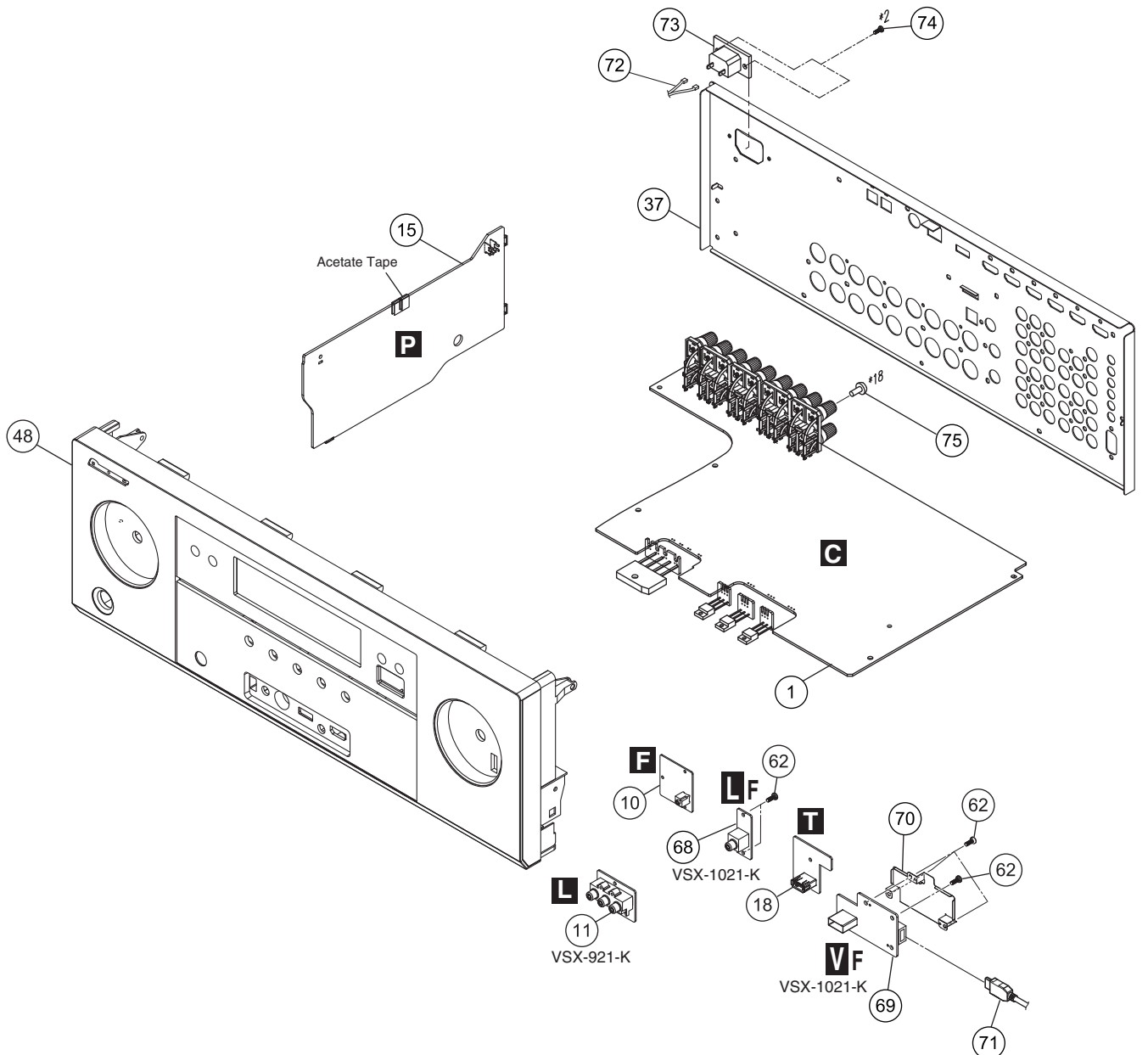
Mark	No.	Symbol and Description	VSX-1021-K /UXNCB	VSX-1021-K /SYXCN5	VSX-921-K /SYXCN5	Remarks
	P52-23	Power Trans	8200960611050-IL	8200960611060-IL	8200960611060-IL	
	P52-37	Back Chassis	3207213766000-IL	3207213766100-IL	3207213756100-IL	
	P52-45	Stopper	4380040162010-IL	Not used	Not used	
	P52-47	F Input Sheet	1217211472000-IL	1217211162020-IL	1217211472000-IL	
	P52-48	Front Panel	3067215091030-IL	3067215111100-IL	3067215091140-IL	No. 70
		Front HDMI Shield	Not used	4470212086000-IL	Not used	No. 71
		HDMI Cable	Not used	ADX7732	Not used	No. 72
		CN,Wire	Not used	L000800020220-IL	L000800020220-IL	No. 72
		Socket,Power AC	Not used	G430040560021-IL	G430040560021-IL	No. 73
		Screw	Not used	CBZ30P080FTB	CBZ30P080FTB	No. 74
		Bushing	Not used	2410040353010-IL	2410040353010-IL	No. 75

Notes : The numbers in the remarks column correspond to the numbers on the "EXPLODED VIEWS".

For PCB ASSEMBLIES, Refer to "CONTRAST OF PCB ASSEMBLIES", "PCB PARTS LIST", "2. SCHEMATIC DIAGRAM", and "3. PCB CONNECTION DIAGRAM".

*1 : Although 7025HK1009015-IL, 7025HK1009025-IL and 7025HK1010014-IL are different in part number, they have the same service parts.

EXPLODED VIEWS EXTERIOR SECTION



CONTRAST OF PCB ASSEMBLIES**A F AUDIO ASSY**

- A Although 7028070311010-IL and 7028070311030-IL are different in part number and they are NOT COMPATIBLE, they consist of the same service components.

B F AMP7 ASSY

- B Although 7028070251010-IL, 7028070251070-IL and 7028070251080-IL are different in part number and they are NOT COMPATIBLE, they consist of the same service components.

C F MAIN ASSY

C 70280702710J0-IL, 7028070271080-IL and 7028070271010-IL are constructed the same except for the following:

Mark	Symbol and Description	70280702710J0-IL	7028070271080-IL	7028070271010-IL	Remarks
	CN9010 CN,WIRE CN9007 CN.WAFER 2.0mm	L002151050160-IL L101200100510-IL	L002900020070-IL L101200100310-IL	L002151050160-IL L101200100510-IL	

D F SW ASSY

D 7028070272010-IL and 7028070272090-IL are constructed the same except for the following:

Mark	Symbol and Description	7028070272010-IL	7028070272090-IL	Remarks
	D9604, D9605 JA602 JACK,DIN 9601 TUNER,FM/AM	K06606R24P400-IL G403515397000-IL E903004100780-IL	Not used Not used E903104100780-IL	

E F HP ASSY

E 7028070306010-IL and 7028070306020-IL are constructed the same except for the following:

Mark	Symbol and Description	7028070306010-IL	7028070306020-IL	Remarks
	CN721 CN,WIRE 2mm	L002361042420-IL	L002371040010-IL	

K F VIDEO ASSY

K 7028070261010-IL, 70280702610B0-IL and 70280702610C0-IL are constructed the same except for the following:

Mark	Symbol and Description	7028070261010-IL	70280702610B0-IL	70280702610C0-IL	Remarks
	IC1007 Q1012 Q1013 L1002 COIL,FILTER-INDUCTOR X1003 CRYSTAL JA1000 TER,RCA 9PIN JA1001 TER,RCA 9PIN	PDC162A J520015301210-IL J522305200050-IL D330330700520-IL E80014R318080-IL G607902AD013Y-IL G607902AD132Y-IL	PDC162A J520015301210-IL J522305200050-IL D330330700520-IL E80014R318080-IL G607902AA013Y-IL G607902AA132Y-IL	Not used Not used Not used Not used Not used G607902AA013Y-IL G603610A0040Y-IL	

M F FRONT ASSY

- E 7028070301010-IL, 7028070301030-IL and 7028070301020-IL are constructed the same except for the following:

Mark	Symbol and Description	7028070301010-IL	7028070301030-IL	7028070301020-IL	Remarks
	CN3002 CN.WAFER 2.0mm R3021, R3022	Not used C060R47065050-IL	L101200100420-IL C060001065060-IL	Not used C060001065060-IL	

The mounting positions of the additional parts are described in the circuit diagram and PCB diagram of the parent manual.

P F SMPS ASSY

7028070322010-IL and 7028070322020-IL are constructed the same except for the following:

Mark	Symbol and Description	7028070322010-IL	7028070322020-IL	Remarks
⚠	D9101, D9103, D9105	K06039R044520-IL	Not used	
	D9108, D9109	K06039R044520-IL	C060010563520-IL	
	D9110	K06022R044520-IL	K06039R044520-IL	
	D9111, D9113, D9116, D9119	Not used	K06039R044520-IL	
	FU101 FUSE GLASS TUBE 20mm	N751508001160-IL	N751506301160-IL	
R101, R104	C060022563520-IL	Not used		
R105	C060010563520-IL	Not used		

The mounting positions of the additional parts are described in the circuit diagram and PCB diagram of the parent manual.

R F BR ASSY

7028070324010-IL and 7028070324020-IL are constructed the same except for the following:

Mark	Symbol and Description	7028070324010-IL	7028070324020-IL	Remarks
	IC2802	J121456000080-IL	Not used	

S F D-MAIN ASSY

7028070351010-IL, 7028070351030-IL and 7028070351020-IL are constructed the same except for the following:

Mark	Symbol and Description	7028070351010-IL	7028070351030-IL	7028070351020-IL	Remarks
	IC902, IC906	S-24CS02AFT	S-24CS02AFT	Not used	
	IC905	CXB1444R-K	CXB1444R-K	Not used	
	IC904, IC908	TC7MB3257FK	TC7MB3257FK	Not used	
	IC1802	AK4388ET	AK4388ET	Not used	
	IC1803	IDT6V60008DCG	IDT6V60008DCG	Not used	
	Q902, Q904	J522011400020-IL	J522011400020-IL	Not used	
	Q903	UM6K1N	UM6K1N	Not used	
	D901, D903	DAN202U	DAN202U	Not used	
	L907 BEAD	D340212561010-IL	D340212561010-IL	Not used	
	L1805, L1819, L1820 COIL,BEAD	D340160851020-IL	D340160851020-IL	Not used	
L1812 COIL,BEAD	D340100561210-IL	D340100561210-IL	Not used		
JA905 CN.WAFER	Not used	L109100190170-IL	Not used		
JA906 CN.WAFER	L109100190160-IL	L109100190160-IL	Not used		
JA1801 2P PIN JACK	G601206A0700Y-IL	G601206A0700Y-IL	Not used		
JA1802 TER,RCA 1PIN	Not used	Not used	G60011703000Y-IL		
R779, R780, R1551-R1553 COIL,BEAD	Not used	D340100561210-IL	D340100561210-IL		

The mounting positions of the additional parts are described in the circuit diagram and PCB diagram of the parent manual.

PCB PARTS LIST

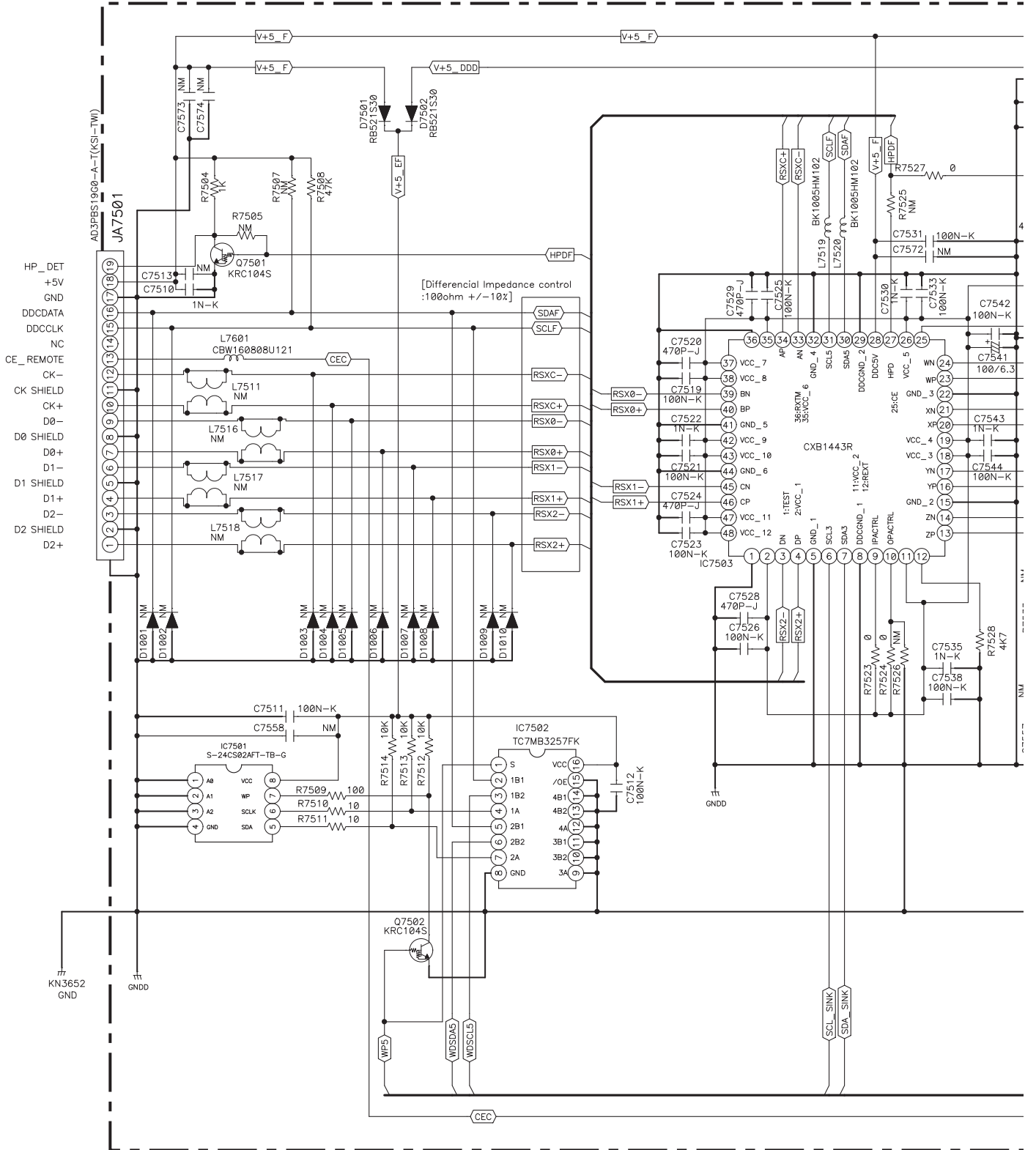
Mark	No.	Description	Part No.	Mark	No.	Description	Part No.				
L	F	F-V ASSY		D	7501,7502		RB521S-30				
				D	7551		K005041480030-IL				
		MISCELLANEOUS				MISCELLANEOUS					
		J 3652 CN,WIRE 2MM	L002431030040-IL	L	7510 CHIP BEAD		D340212561010-IL				
		JA 3656 TER,RCA 1PIN	G600101HG000Y-IL	L	7512-7515,7521,7601 CHIP BEAD		D340160811210-IL				
				L	7519,7520 CHIP BEAD		D340100561020-IL				
				JA	1004 CN.WAFER		L109100190170-IL				
				JA	7501 CN.WAFER		L109100190060-IL				
				CN	3005 CN,WIRE 2MM		L002161040130-IL				
⚠	V	F	F-HDMI ASSY			SEMICONDUCTORS					
								IC 7501	S-24CS02AFT		
								IC 7502	TC7MB3257FK		
								IC 7503	CXB1443R		
								IC 7504	J126111700041-IL		
Q 7501-7503	J522104411210-IL										

2. SCHEMATIC DIAGRAM

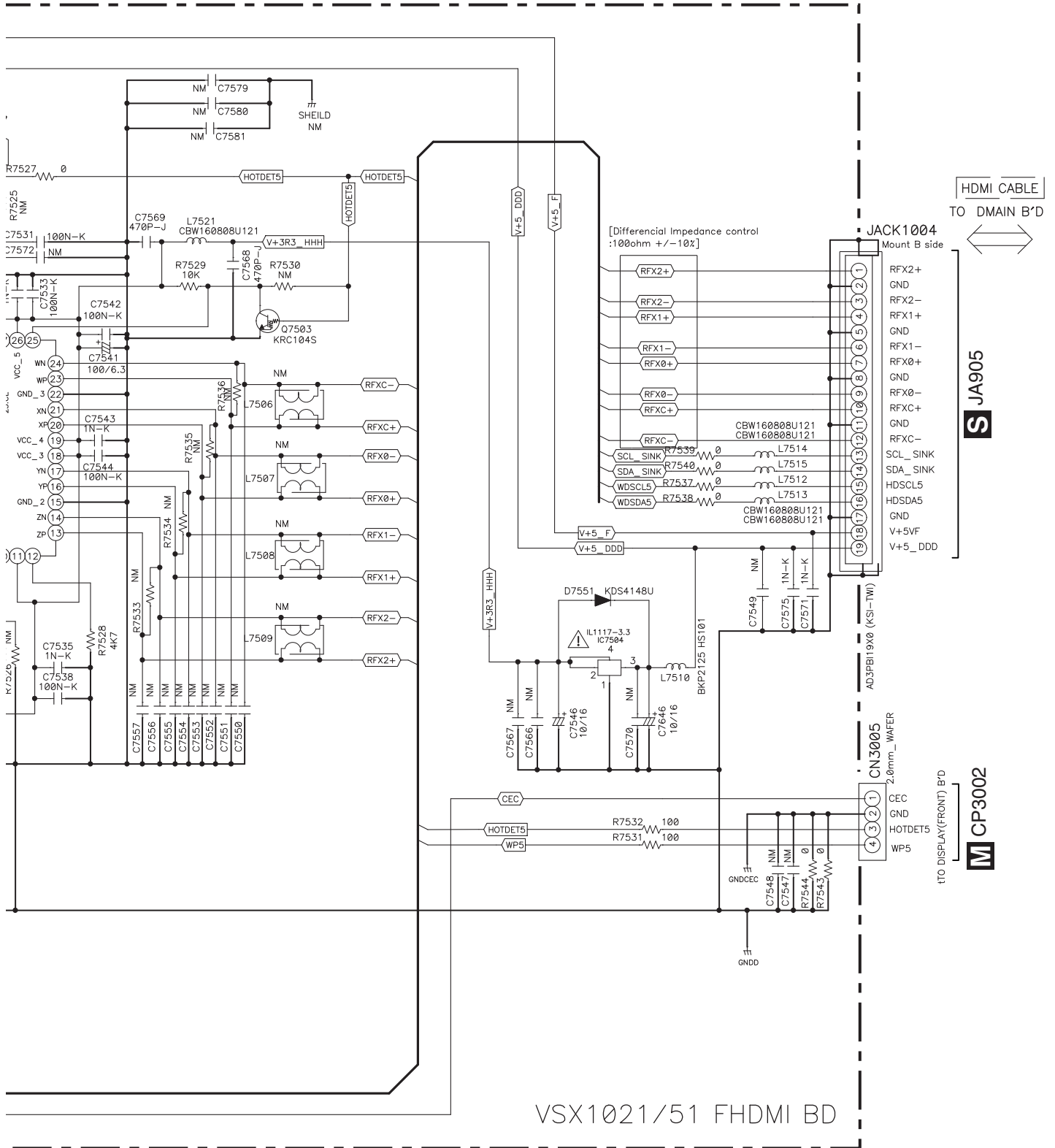
2.1 F-HDMI ASSY (VSX-1021-K)

F F-HDMI ASSY (7028070341010-IL)

FRONT HDMI



VSX-1021/51 FRONT HDMI B'D

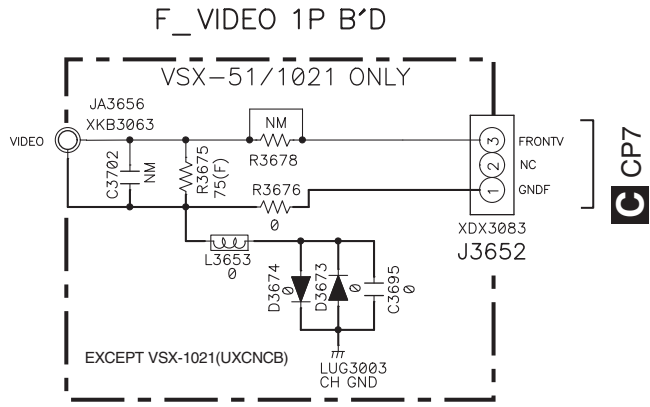


VSX1021/51 FHDMI BD



2.2 F-V ASSY (VSX-1021-K)

F F-V ASSY (7028070304030-IL)



L F

L F

3. PCB CONNECTION DIAGRAM

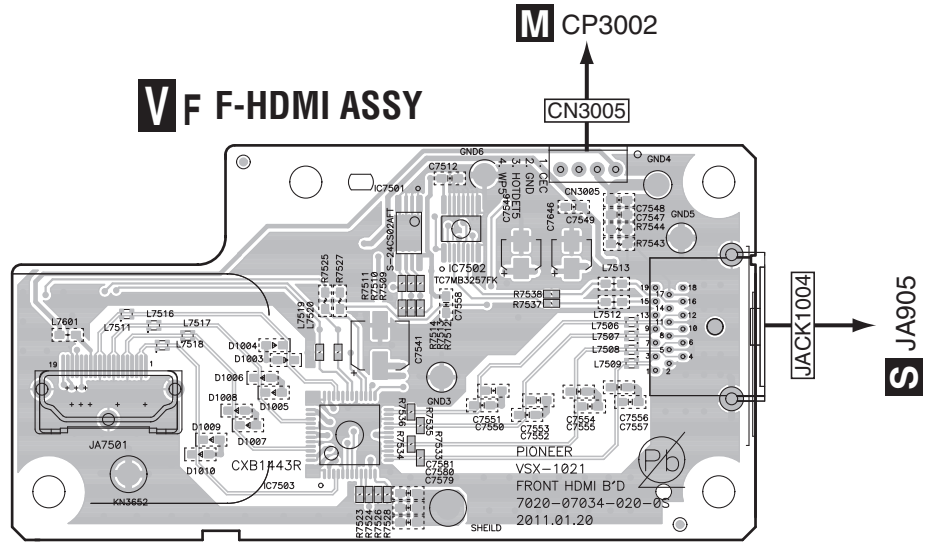
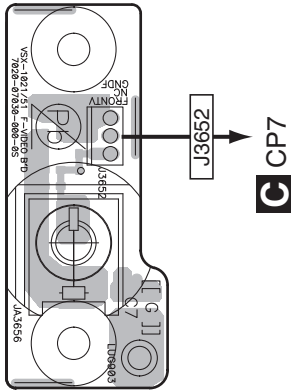
3.1 F-V and F-HDMI ASSYS (VSX-1021-K)

SIDE A

SIDE A

L F F-V ASSY

V F F-HDMI ASSY

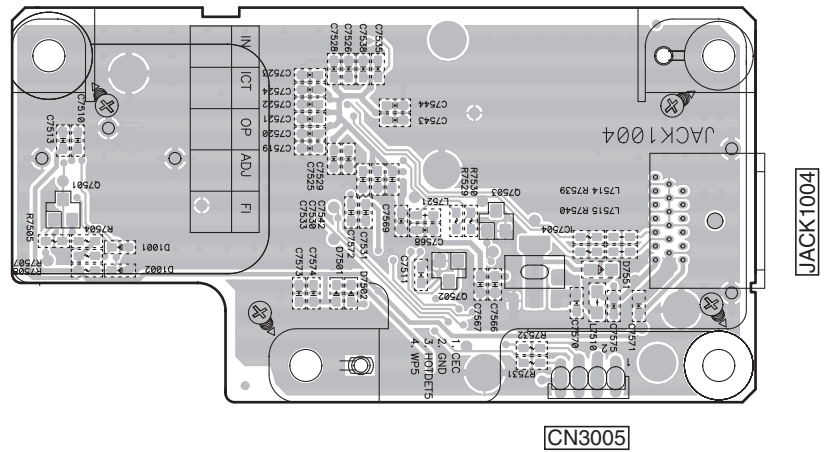
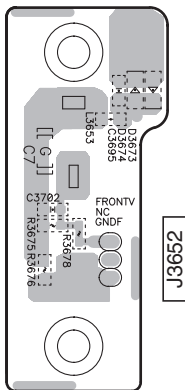


SIDE B

SIDE B

L F F-V ASSY

V F F-HDMI ASSY



L F **V** F

L F **V** F